

VEVOR[®]

TOUGH TOOLS, HALF PRICE

Technical Support and E-Warranty Certificate www.vevor.com/support

SHOE CABINET USER MANUAL

MODEL:HZR001

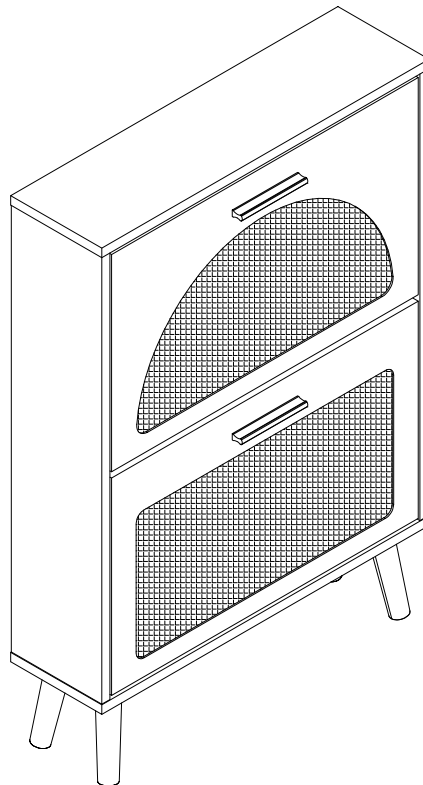
We continue to be committed to provide you tools with competitive price. "Save Half", "Half Price" or any other similar expressions used by us only represents an estimate of savings you might benefit from buying certain tools with us compared to the major top brands and does not necessarily mean to cover all categories of tools offered by us. You are kindly reminded to verify carefully when you are placing an order with us if you are actually saving half in comparison with the top major brands.

VEVOR®

TOUGH TOOLS, HALF PRICE

SHOE CABINET

MODEL:HZR001



NEED HELP? CONTACT US!

Have product questions? Need technical support? Please feel free to contact us:

 CustomerService@vevor.com

This is the original instruction, please read all manual instructions carefully before operating. VEVOR reserves a clear interpretation of our user manual. The appearance of the product shall be subject to the product you received. Please forgive us that we won't inform you again if there are any technology or software updates on our product.

SAFETY INSTRUCTIONS

WARNING:

Read this instructions carefully before using this product. Failure to do so can result in serious injury.

Assembly precautions

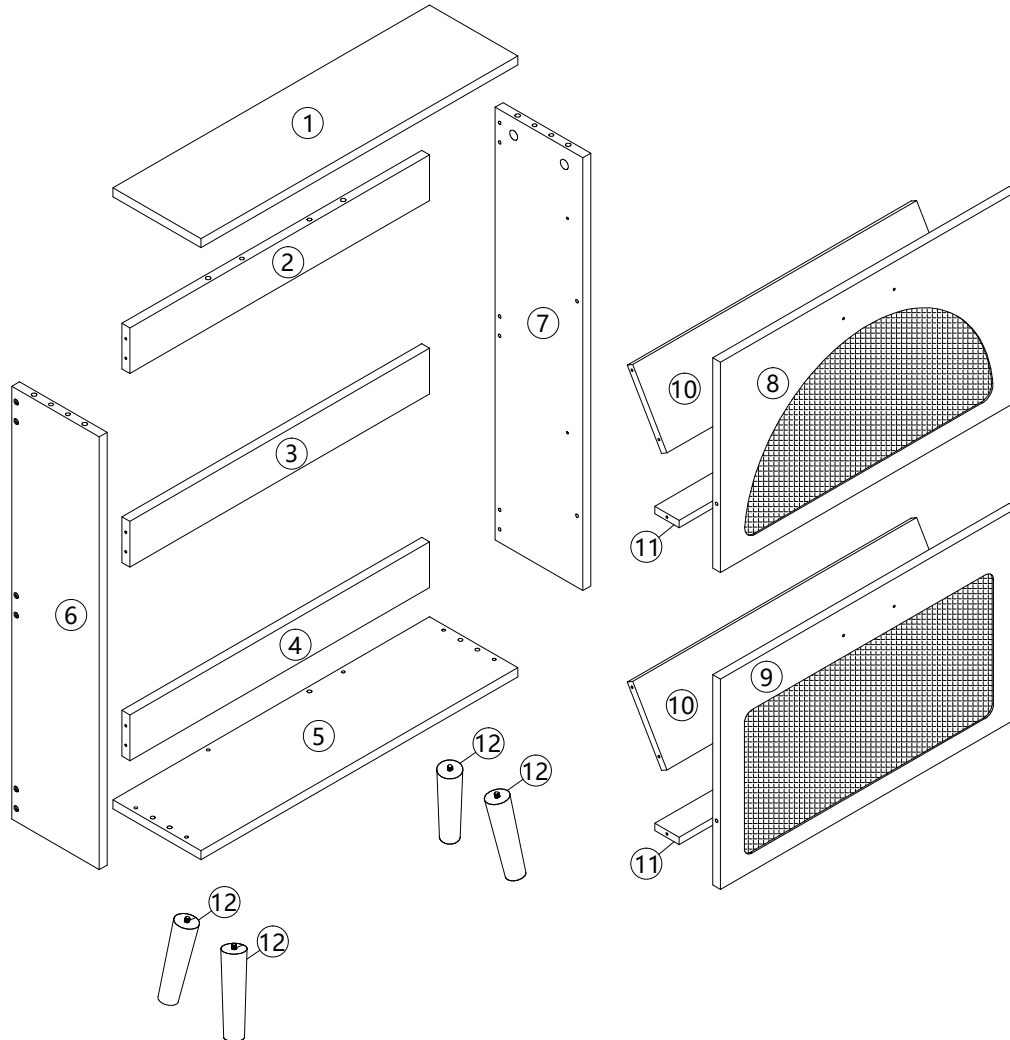
1. Assemble only should be according to these instructions. Improper assembly can result in hazards.
2. Wear ANSI-approved safety goggles and heavy-duty work gloves during assembly.
3. Keep the assembly area clean and well-lit.
4. Keep bystanders out of the area during assembly.
5. Do not assemble when tired or under the influence of alcohol, drugs or medication.
6. The product capabilities apply to properly and completely assembled products only.
7. Assemble on a flat, level, hard and smooth surface capable of safely supporting the [shoe cabinet](#).
8. For additional information regarding the parts listed in the following pages, please refer to the Assembly Diagram of this manual. Unwrap and separate all parts in a clean work area.

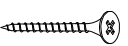





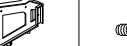










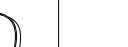


Use precautions

1. DO NOT SIT OR STAND ON THIS ITEM.
2. This product is not a toy. Do not allow children to play with or near this item.
3. Do not exceed weight capacities.
4. Use only on a flat, level, hard and smooth surface capable of safely supporting a fully loaded [shoe cabinet](#).
5. Use as intended only.
6. Inspect before every use; do not use if parts are loose or damaged.

SAVE THESE INSTRUCTIONS

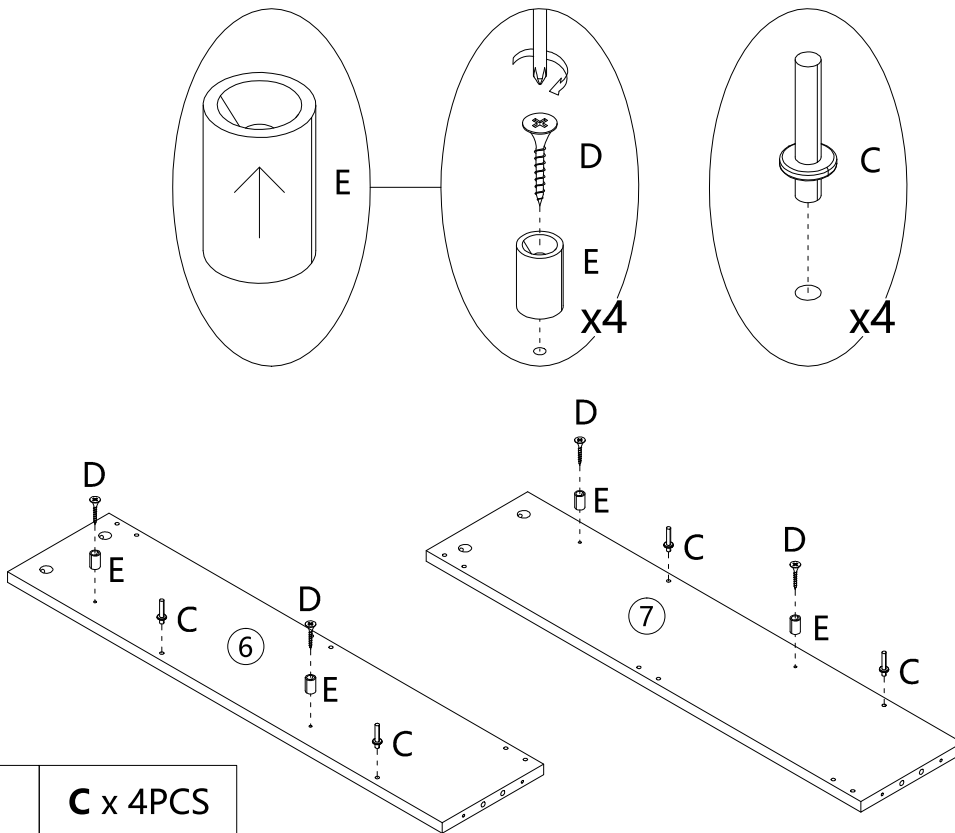
PARTS LIST

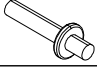
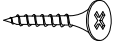



 4x40mm A 20+2PCS	 6x30mm B 12+1PCS	 φ5x35mm C 4PCS	 4x30mm D 4PCS	 φ12x19mm E 4PCS	 3.5x14mm F 12+1PCS	 4x18mm G 4PCS	 4x18mm H 4PCS	 96mm I 2PCS
 4x12mm J 16+2PCS	 3x14mm K 2PCS	 φ12mm L 4PCS	 φ20mm M 12+1PCS	 φ20mm N 4PCS	 6x35mm O 6PCS	 φ15x9mm P 6PCS	 4PCS Q 4PCS	 2PCS R 2PCS
 6x30mm S 2PCS	 4x62mm T 1PC							

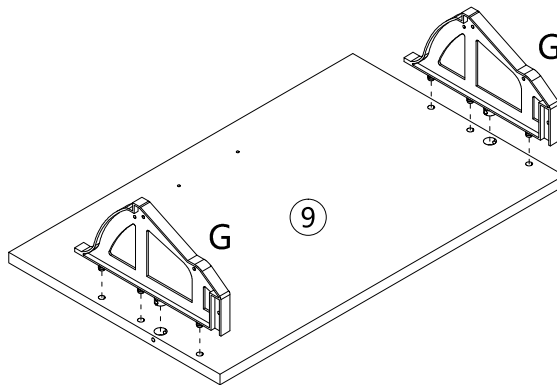
ASSEMBLY STEP


1



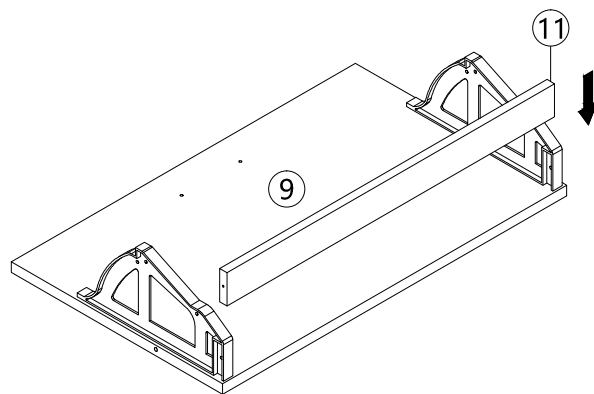
	C x 4PCS
	D x 4PCS
	E x 4PCS

2

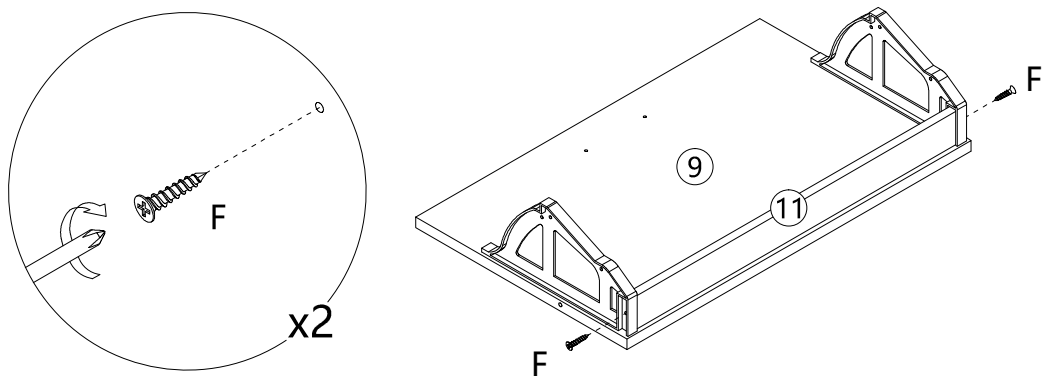


	G x 2PCS
---	-----------------

3

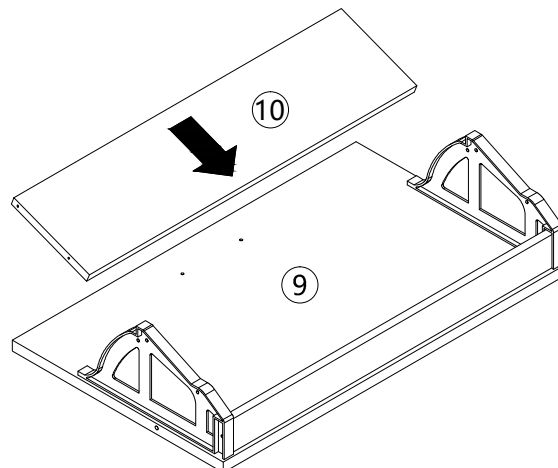


4

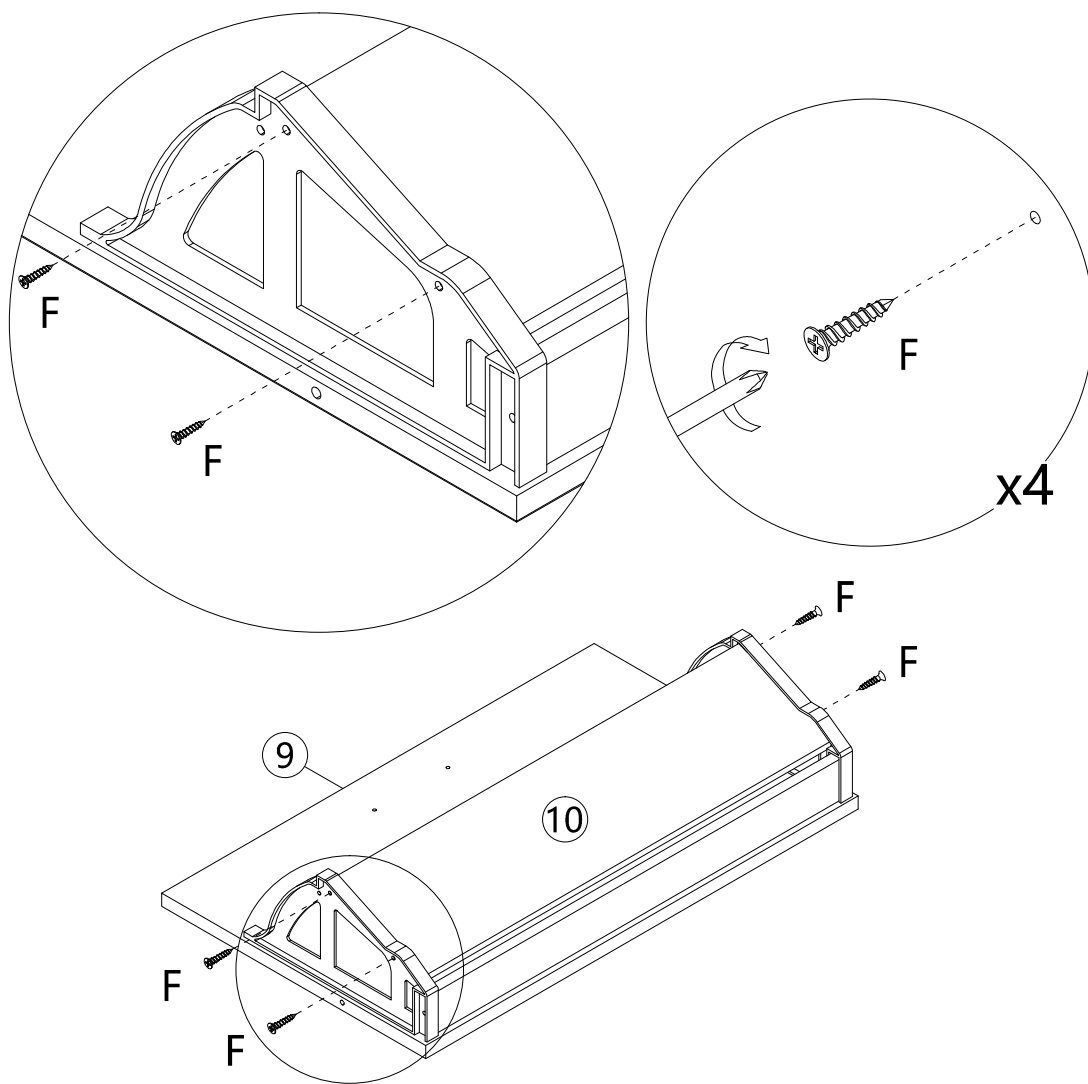


F x 2PCS

5

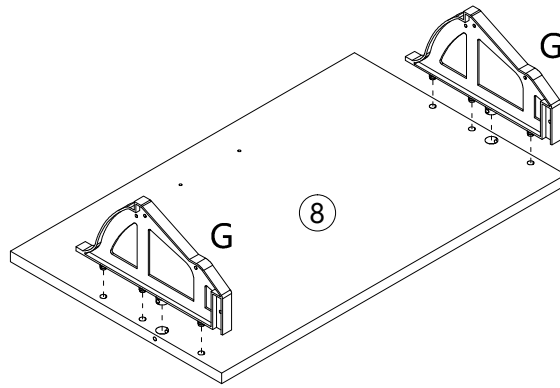


6



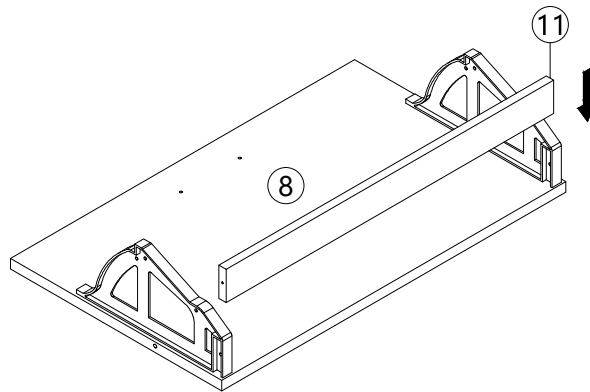
F x 4PCS

7

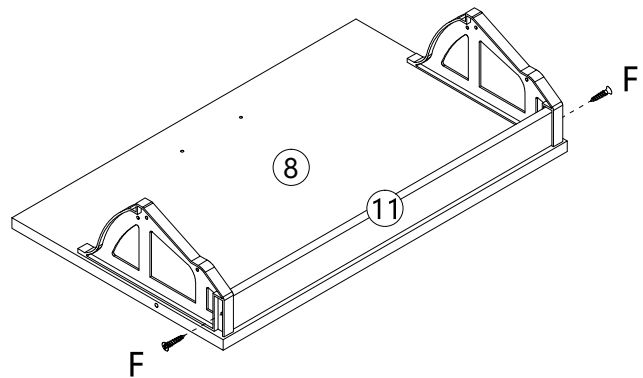
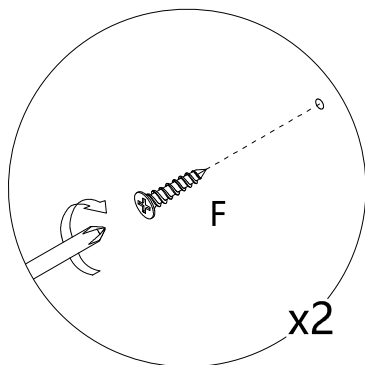


G x 2PCS

8

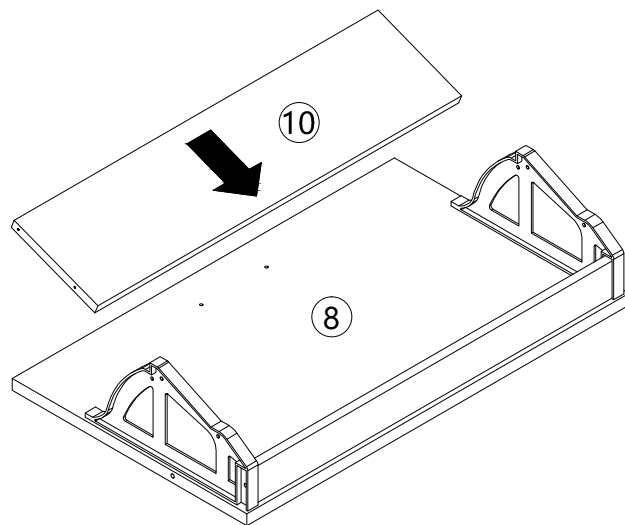


9

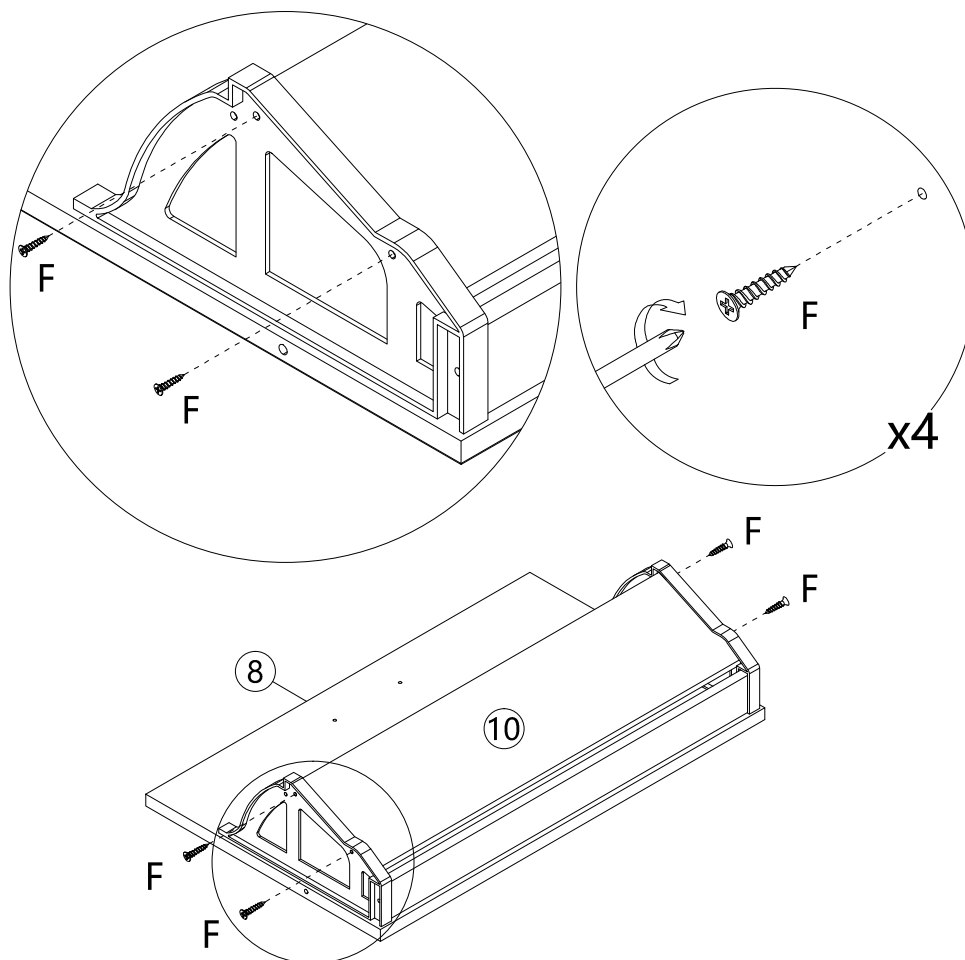


F x 2PCS

10

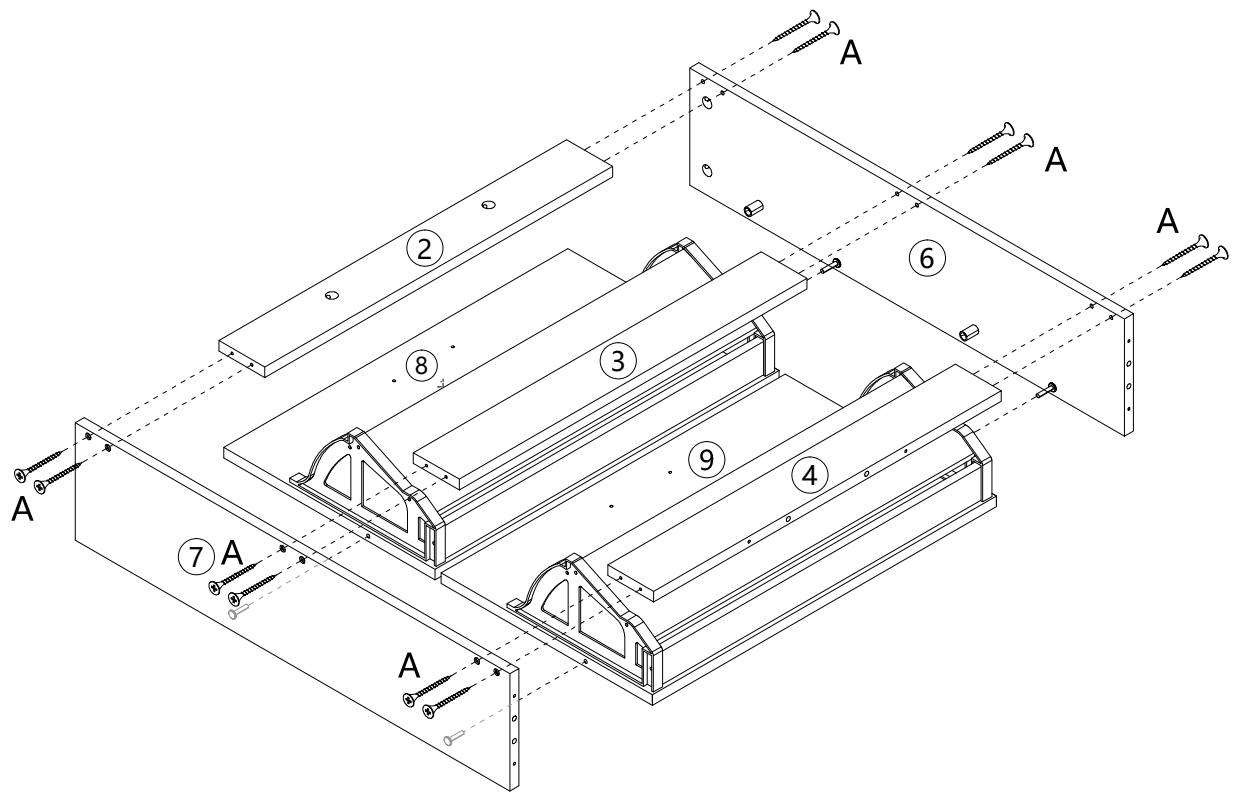
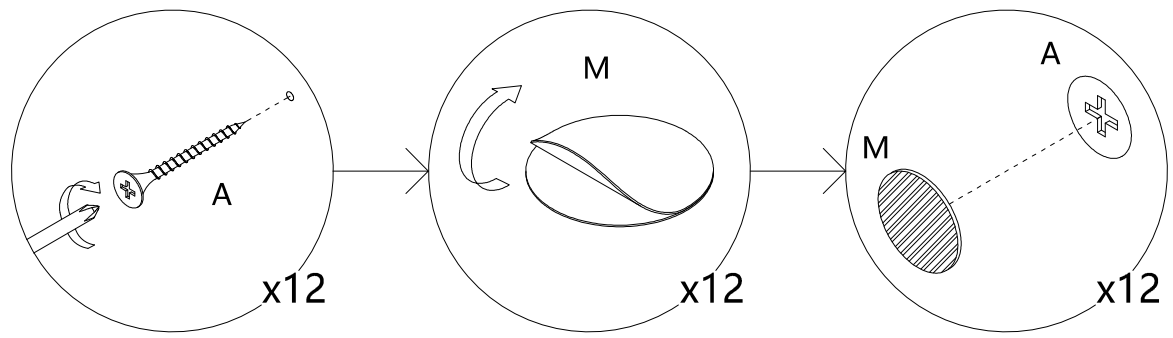


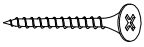

11



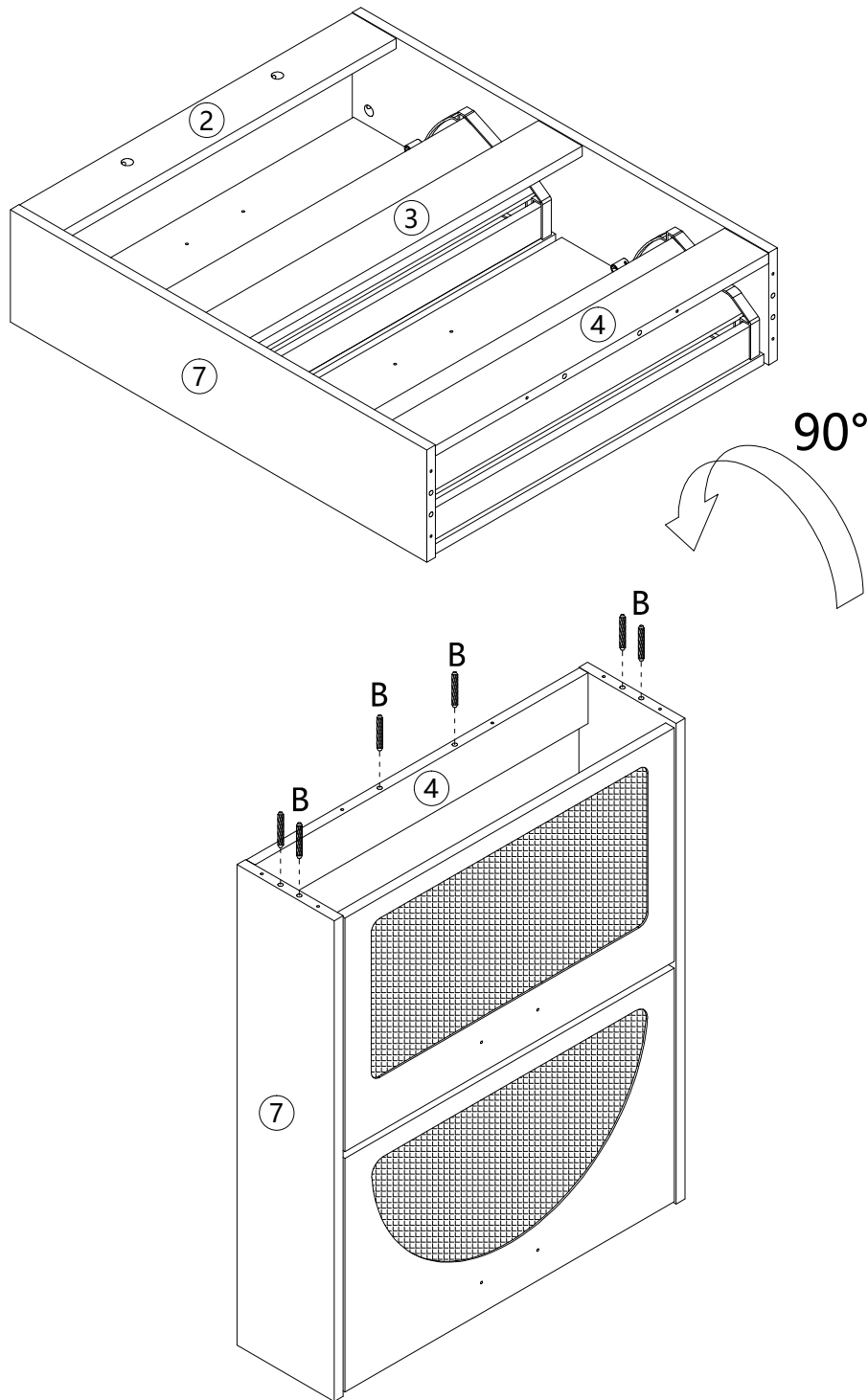
F x 4PCS

12



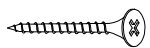
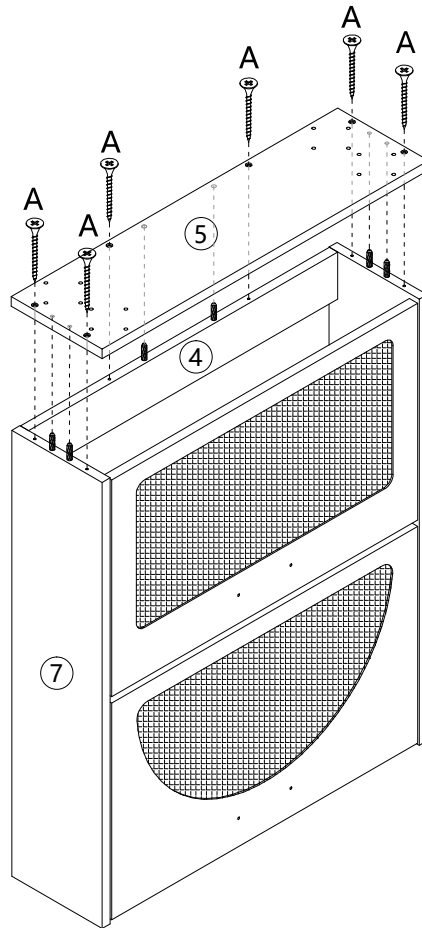
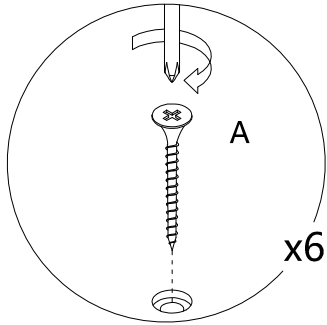
	A x 12PCS
	M x 12PCS

13



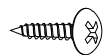
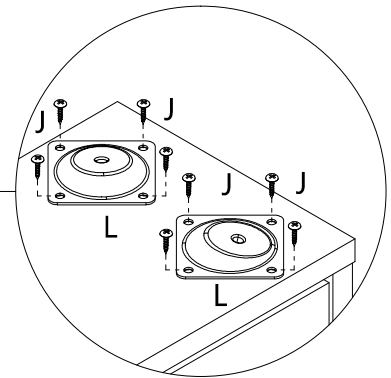
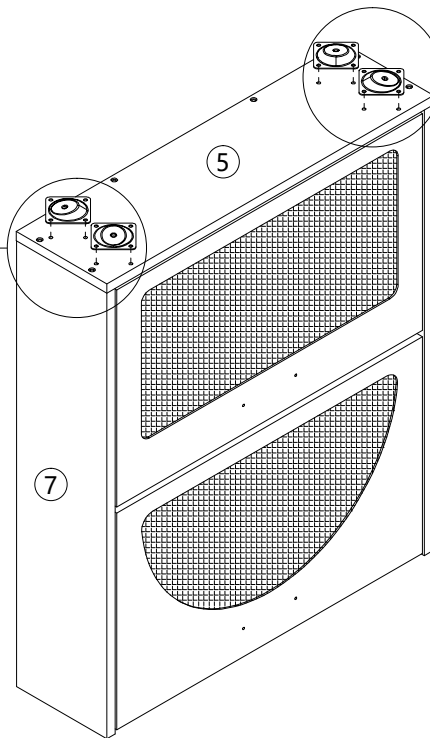
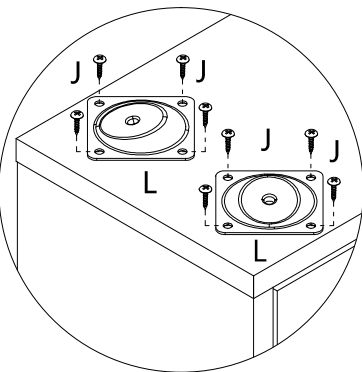
B x 6PCS

14



A x 6PCS

15

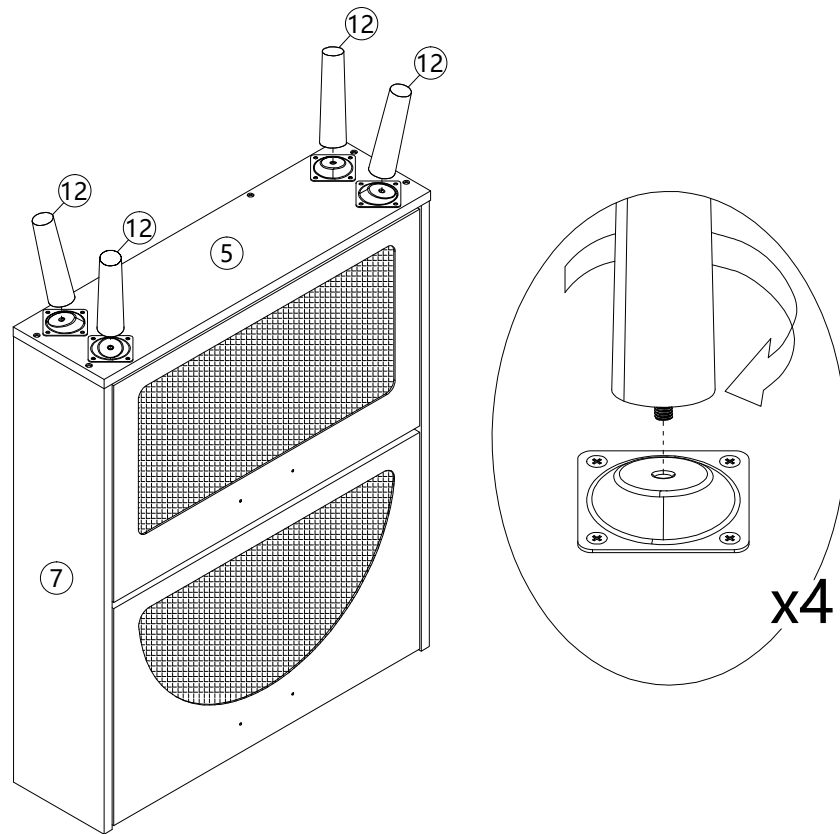


J x 16PCS

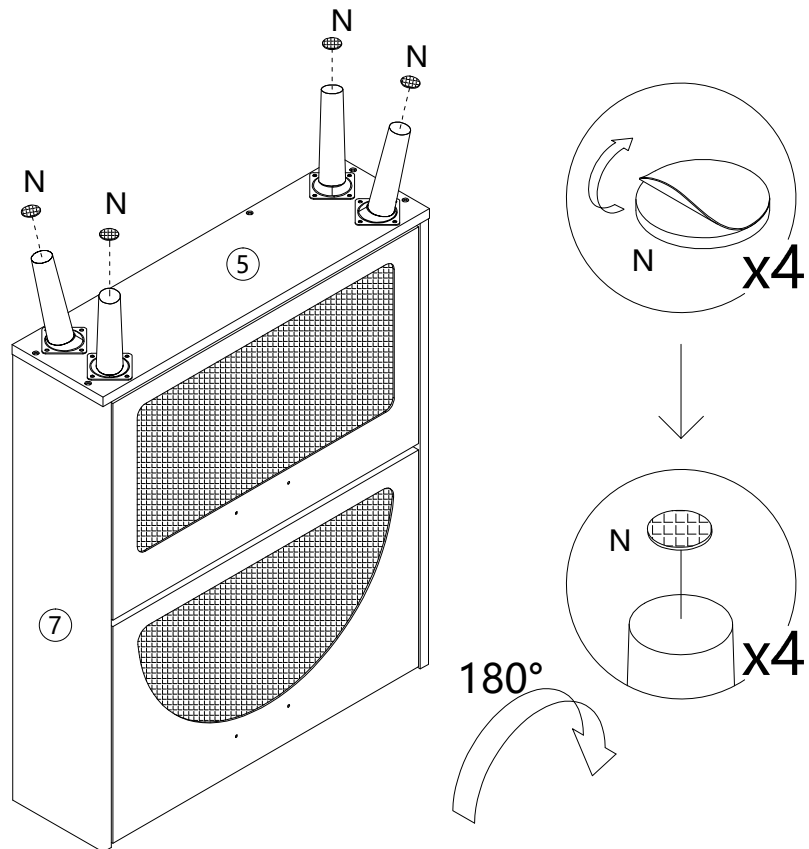


L x 4PCS

16

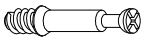
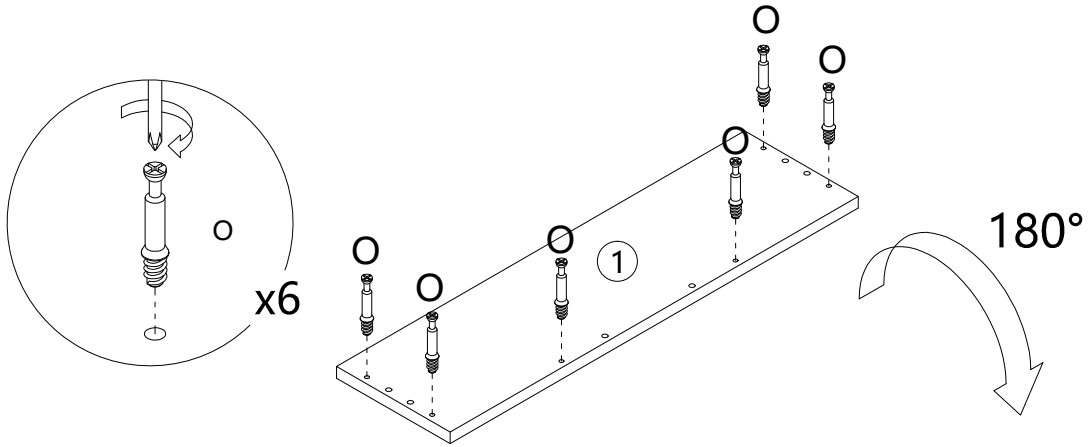


17



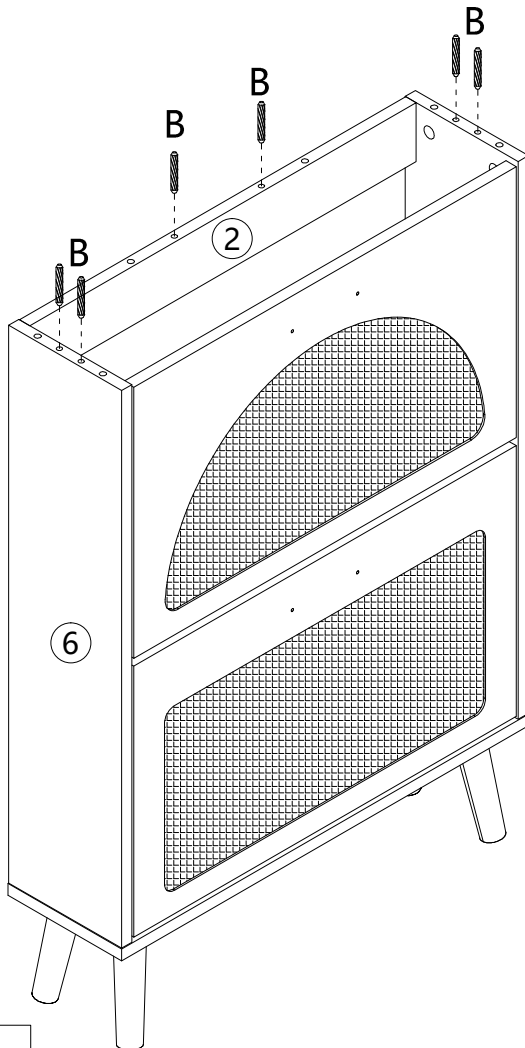
N x 4PCS

18

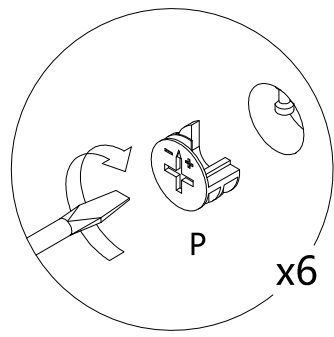
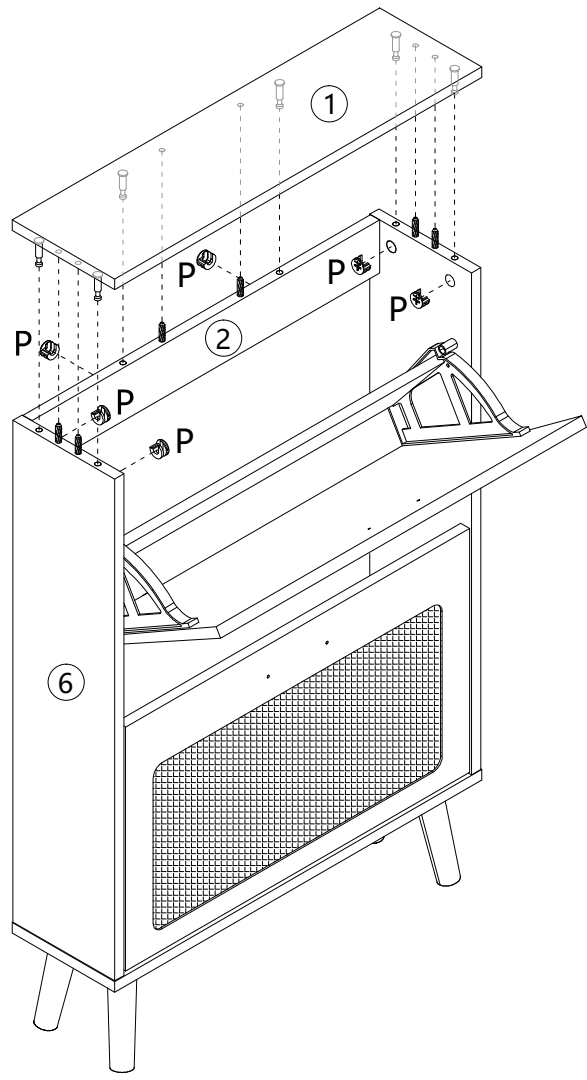


O x 6PCS

19

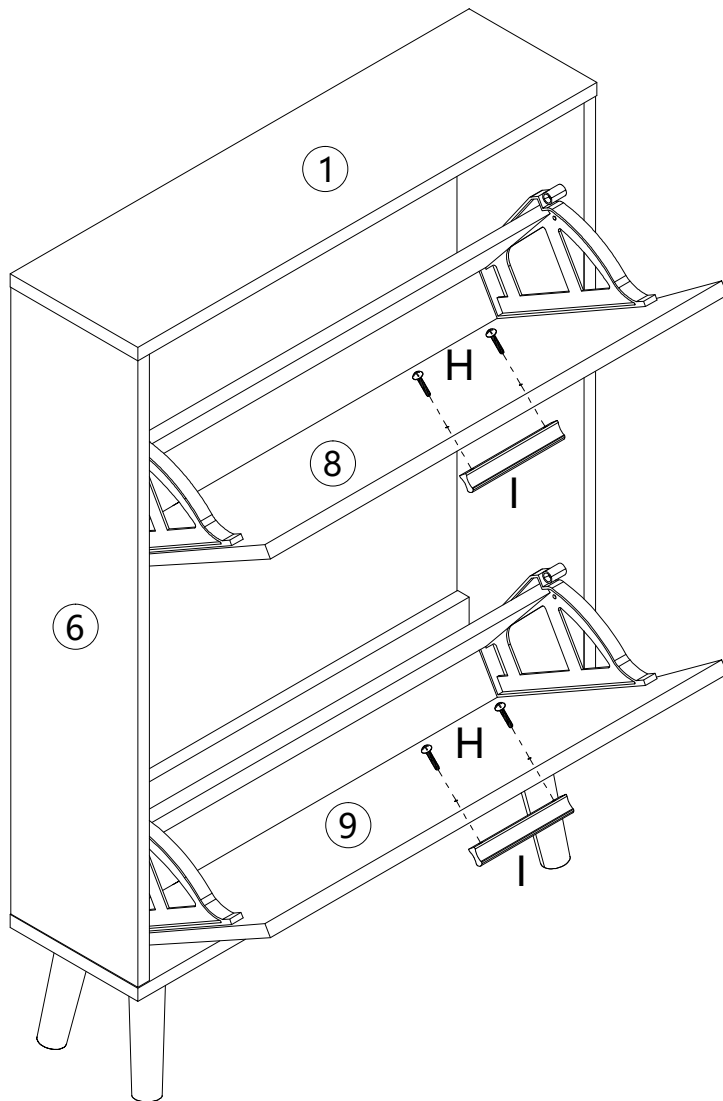
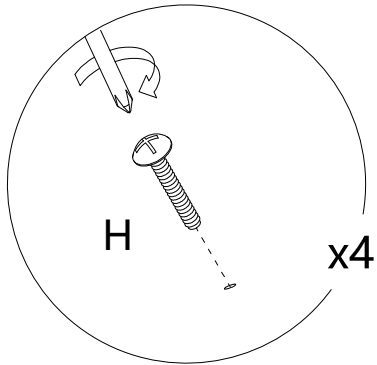




B x 6PCS

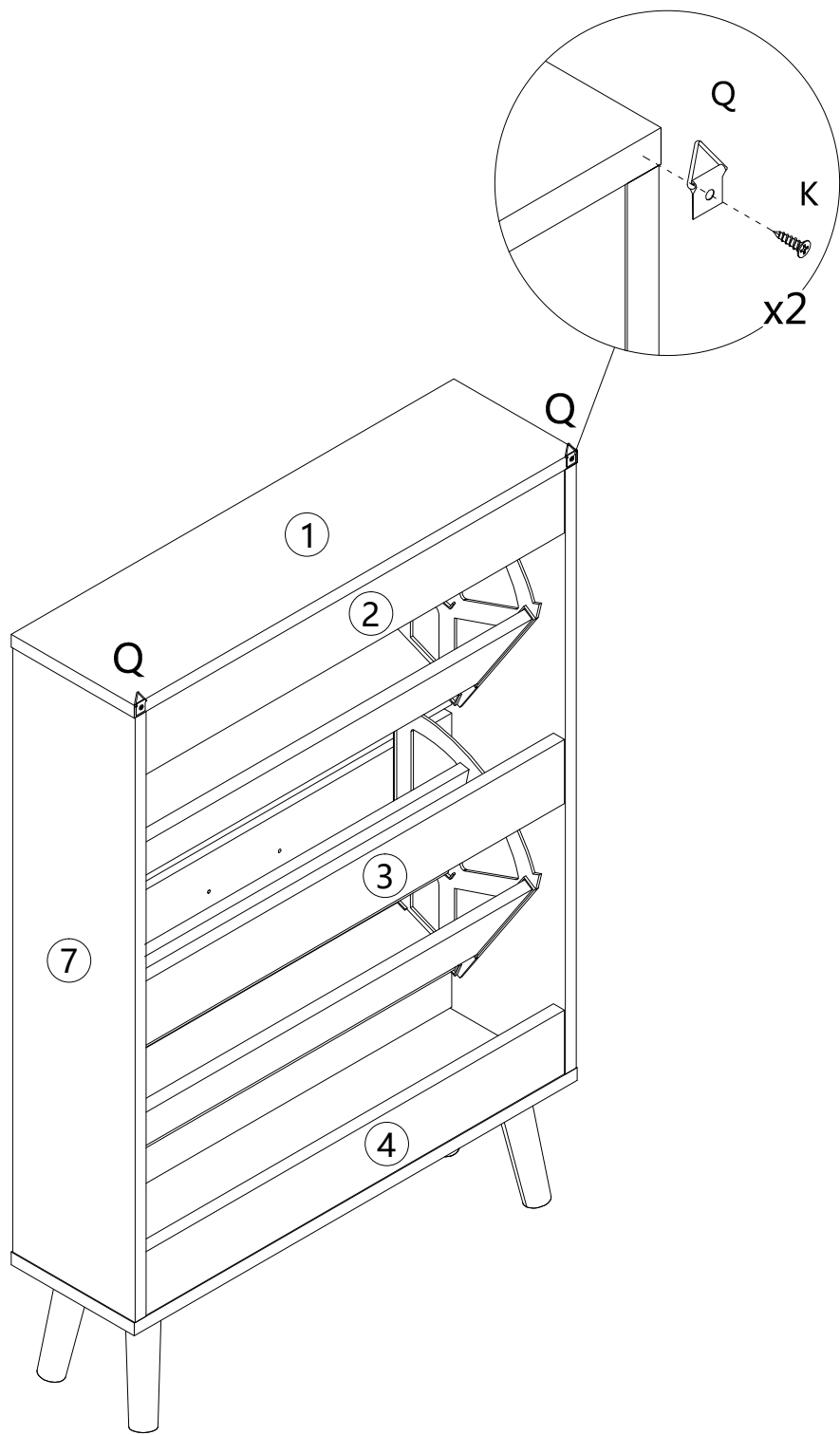


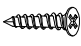

P x 6PCS

21

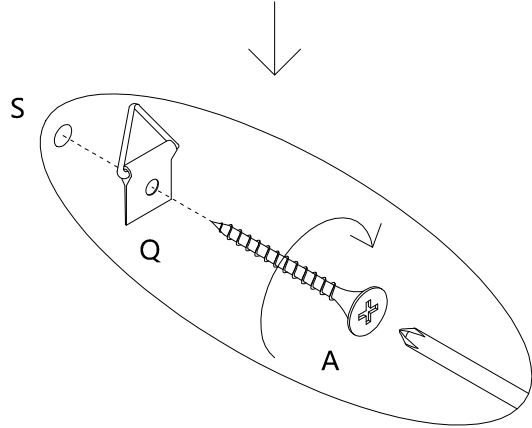
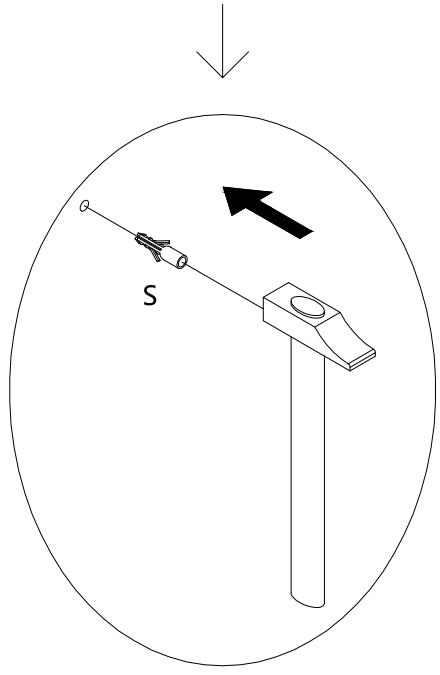
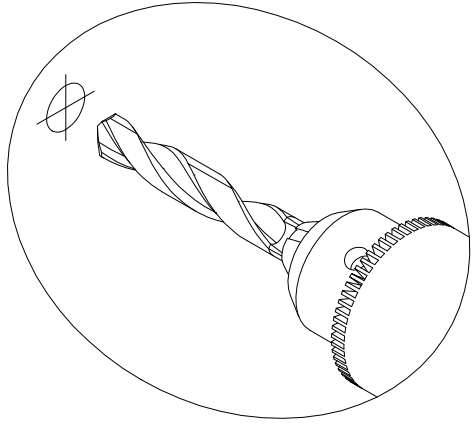
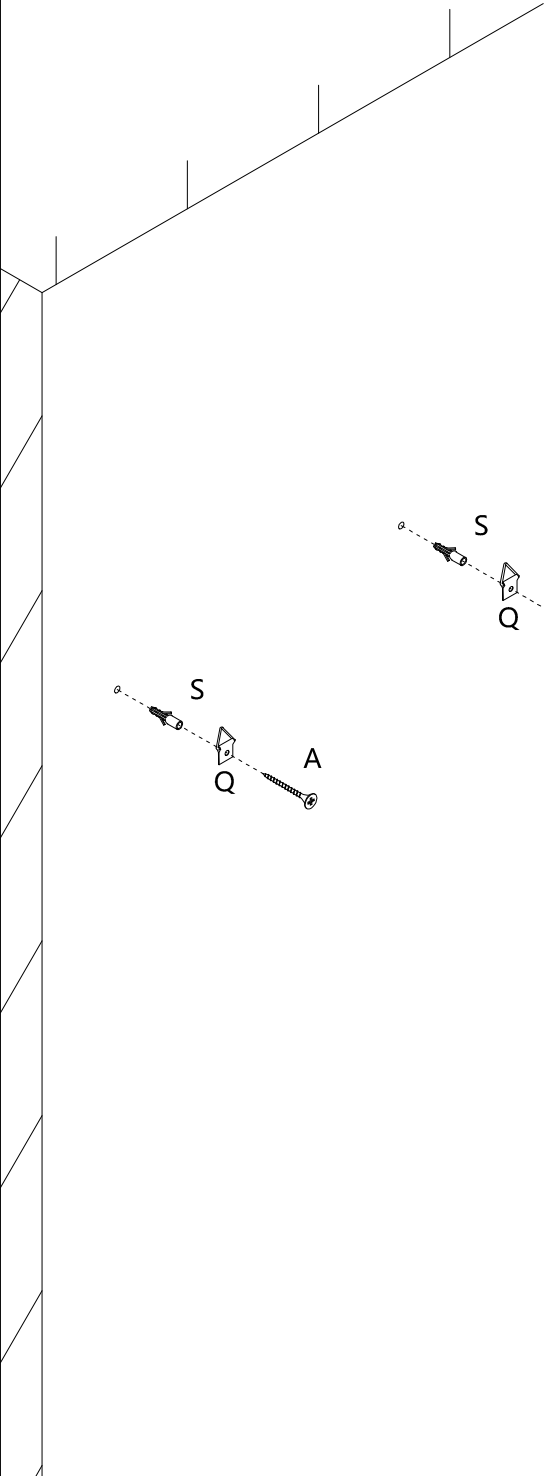


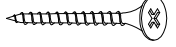


	H x 4PCS
	I x 2PCS



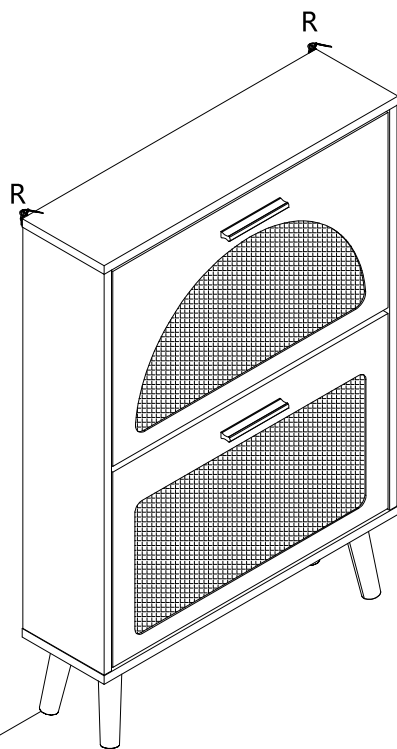
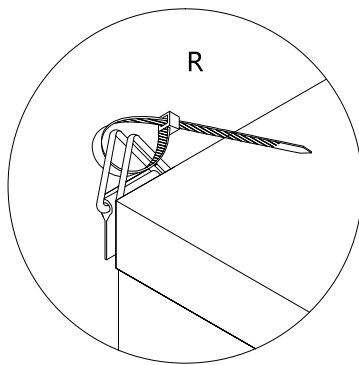
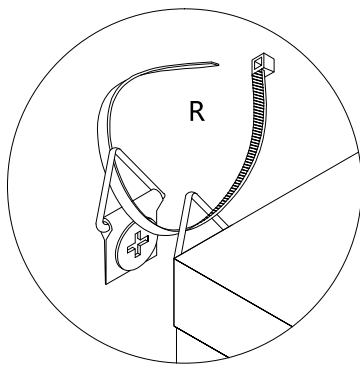
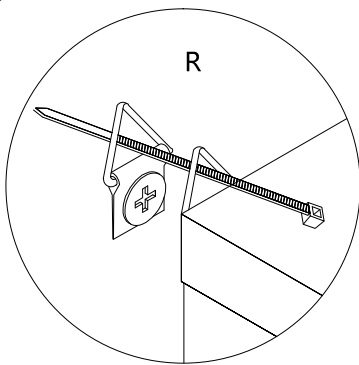
	K x 2PCS
	Q x 2PCS

23



	A x 2PCS
	Q x 2PCS
	S x 2PCS

24



R x 2PCS

PRODUCT PARAMETER

Package size (mm)	885*465*143
Size (mm)	600*168*877
Colour	Natural wood
Type	2 layers
Texture	Chipboard
Base	4 Individual legs
Load-bearing	≥80 lbs

Address: Shuangchenglu 803nong11hao1602A-1609shi, baoshanqu, shanghai 200000 CN.

Imported to AUS: SIHAO PTY LTD, 1 ROKEVA STREETEASTWOOD NSW 2122 Australia

Imported to USA: Sanven Technology Ltd., Suite 250, 9166 Anaheim Place, Rancho Cucamonga, CA 91730

EC	REP
-----------	------------

E-CrossStu GmbH.
Mainzer Landstr.69, 60329 Frankfurt am Main.

UK	REP
-----------	------------

YH CONSULTING LIMITED.
C/O YH Consulting Limited Office 147, Centurion House,
London Road, Staines-upon-Thames, Surrey, TW18 4AX

VEVOR[®]

TOUGH TOOLS, HALF PRICE

Technical Support and E-Warranty Certificate

www.vevor.com/support