

VEVOR[®]

TOUGH TOOLS, HALF PRICE

Technical Support and E-Warranty Certificate www.vevor.com/support

SHOE CABINET USER MANUAL

MODEL:HZS003

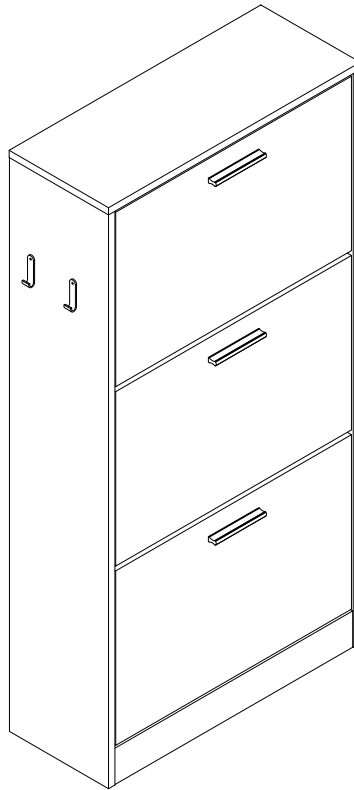
We continue to be committed to provide you tools with competitive price. "Save Half", "Half Price" or any other similar expressions used by us only represents an estimate of savings you might benefit from buying certain tools with us compared to the major top brands and does not necessarily mean to cover all categories of tools offered by us. You are kindly reminded to verify carefully when you are placing an order with us if you are actually saving half in comparison with the top major brands.

VEVOR[®]

TOUGH TOOLS, HALF PRICE

SHOE CABINET

MODEL:HZS003



NEED HELP? CONTACT US!

Have product questions? Need technical support? Please feel free to contact us:

 CustomerService@vevor.com

This is the original instruction, please read all manual instructions carefully before operating. VEVOR reserves a clear interpretation of our user manual. The appearance of the product shall be subject to the product you received. Please forgive us that we won't inform you again if there are any technology or software updates on our product.

SAFETY INSTRUCTIONS

WARNING:

Read this instructions carefully before using this product. Failure to do so can result in serious injury.

Assembly precautions

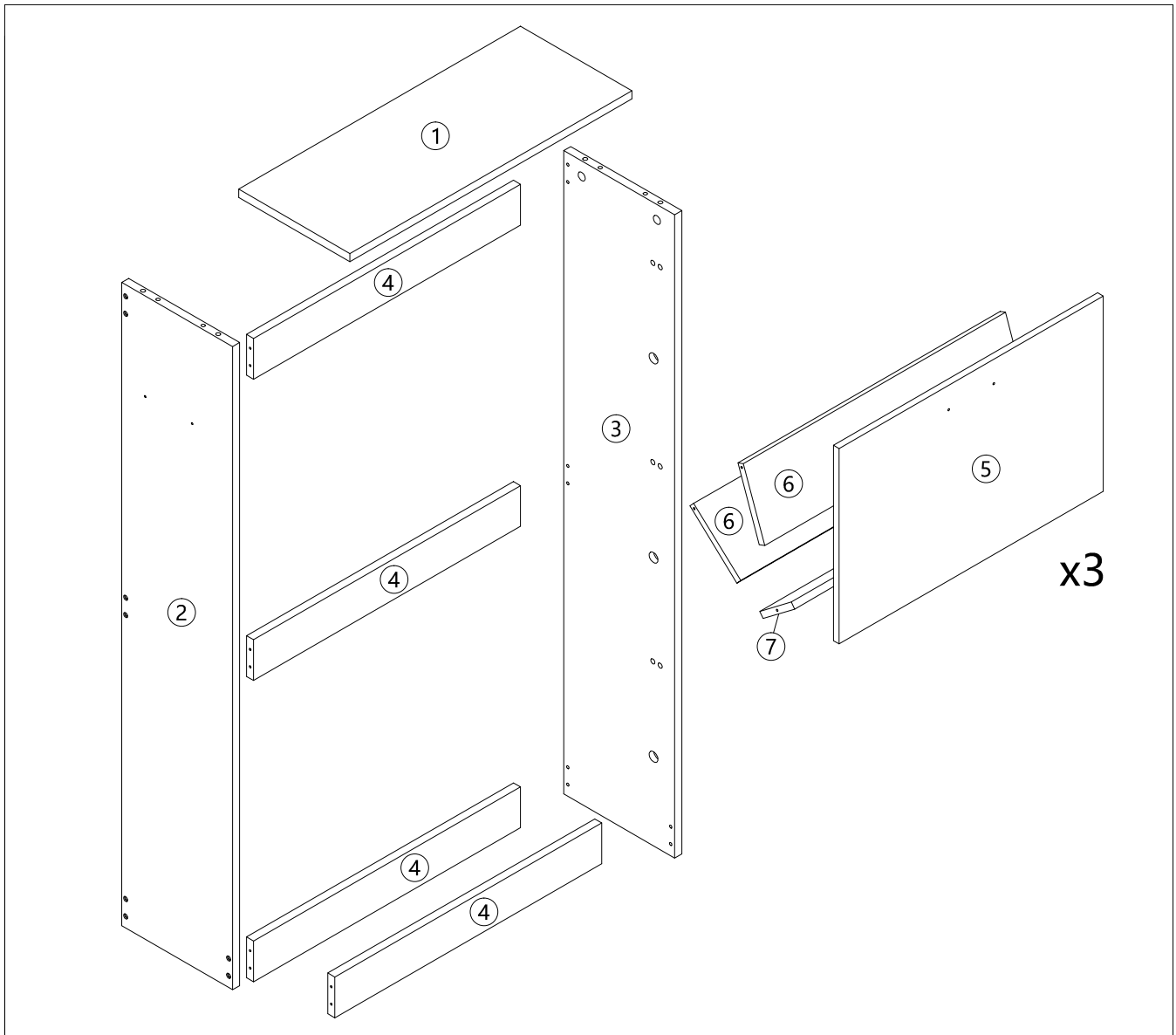
1. Assemble only should be according to these instructions. Improper assembly can result in hazards.
2. Wear ANSI-approved safety goggles and heavy-duty work gloves during assembly.
3. Keep the assembly area clean and well-lit.
4. Keep bystanders out of the area during assembly.
5. Do not assemble when tired or when under the influence of alcohol, drugs or medication.
6. The product capabilities apply to properly and completely assembled products only.
7. Assemble on a flat, level, hard and smooth surface capable of safely supporting the [shoe cabinet](#).
8. For additional information regarding the parts listed in the following pages, please refer to the Assembly Diagram of this manual. Unwrap and separate all parts in a clean work area.

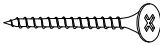








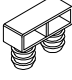



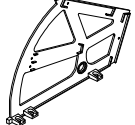
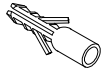
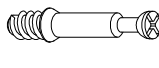

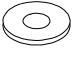




Use precautions

1. DO NOT SIT OR STAND ON THIS ITEM.
2. This product is not a toy. Do not allow children to play with or near this item.
3. Do not exceed weight capacities.
4. Use only on a flat, level, hard and smooth surface capable of safely supporting a fully loaded [shoe cabinet](#).
5. Use as intended only.
6. Inspect before every use; do not use if parts are loose or damaged.

SAVE THESE INSTRUCTIONS

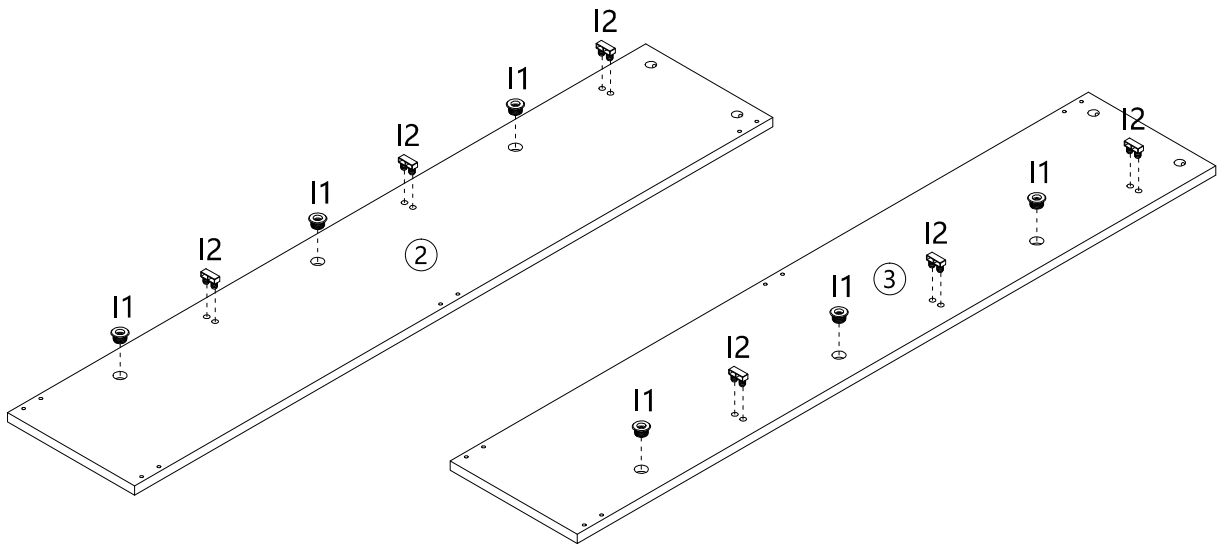
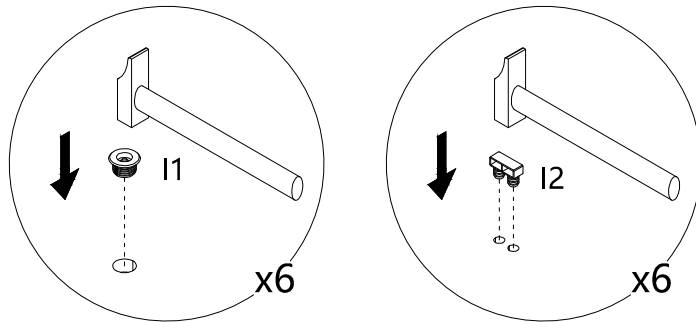
PARTS LIST



						
4x40mm	6x30mm	4x16mm	96mm	3.5x14mm	4x10mm	
A 18+2PCS	B 4PCS	C 6PCS	D 3PCS	E 36+2PCS	F 6PCS	G 4PCS
						
3x14mm	I1	I2	I3	ø12mm		
H 2PCS	I 6SETS			J 16+2PCS	K 4PCS	L 3PCS
						
6x30mm	6x35mm	ø15x9mm	ø10mm		4x12mm	
N 2PCS	O 4PCS	P 4PCS	Q 6PCS	R 3PCS	S 2PCS	T 2PCS
						
4x62mm						
U 1PC						

ASSEMBLY STEP

1

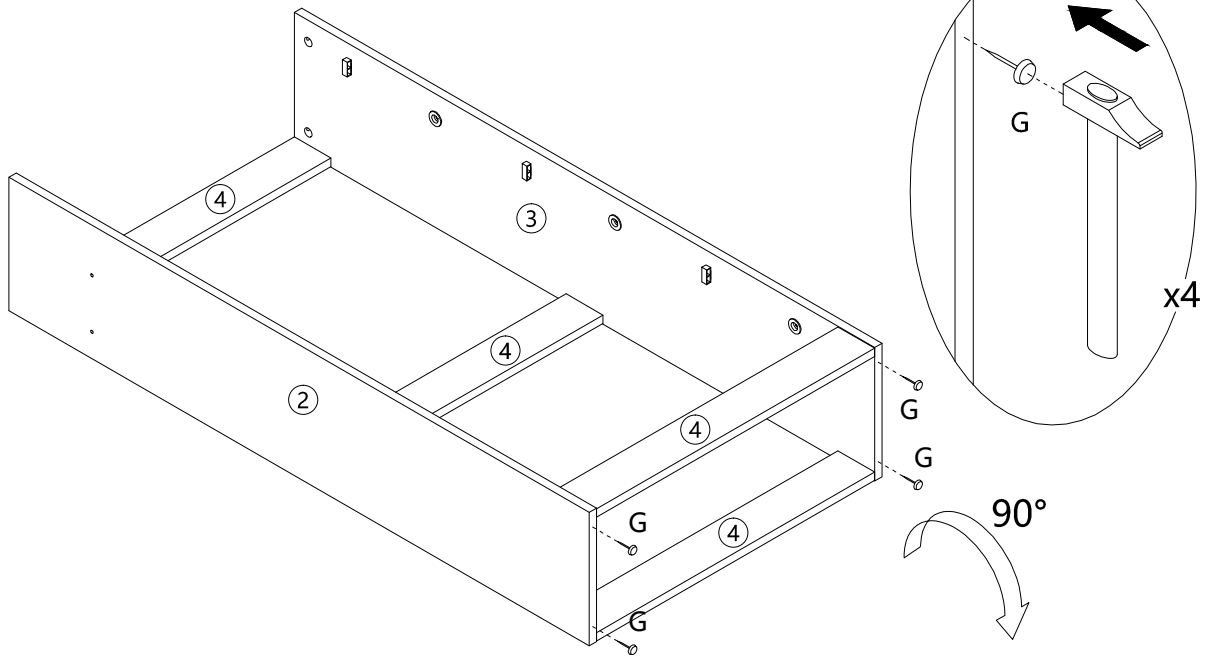


I1 x 6PCS



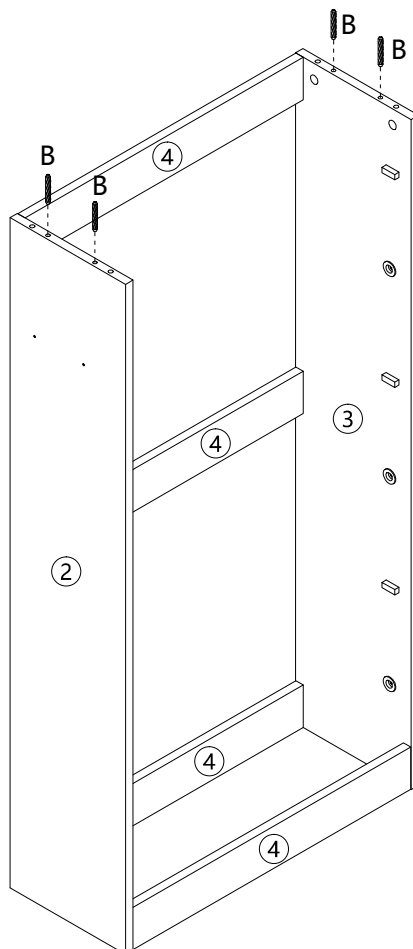
I2 x 6PCS

3



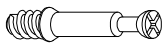
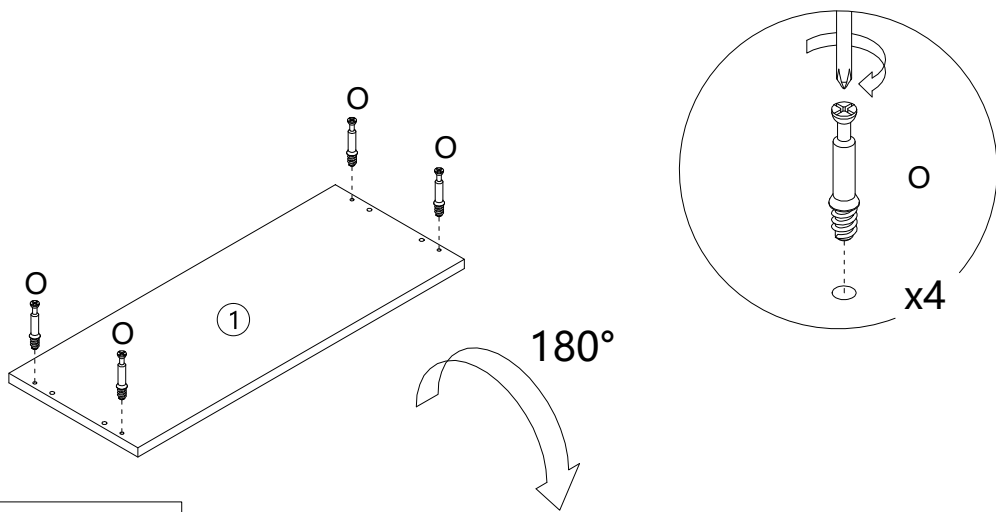
G x 4PCS

4



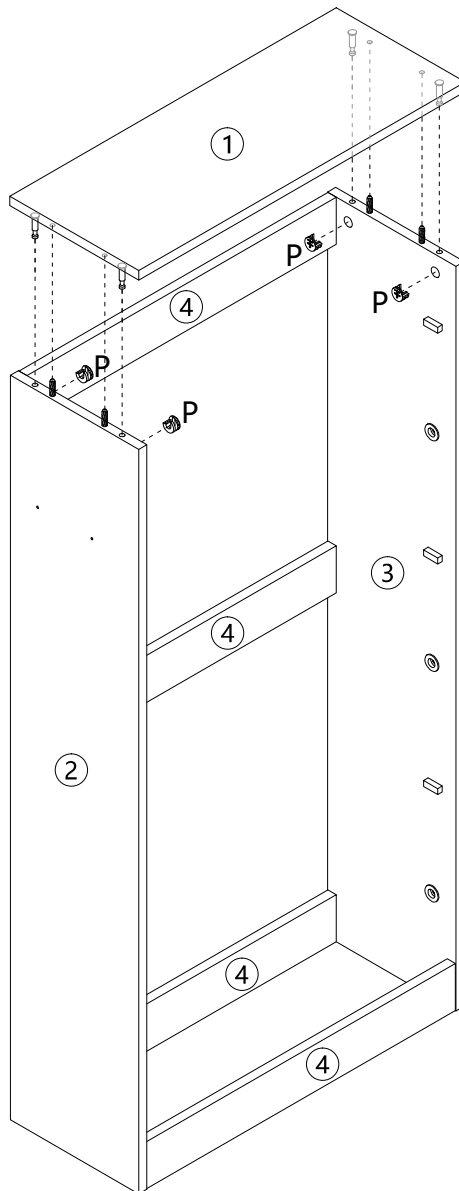
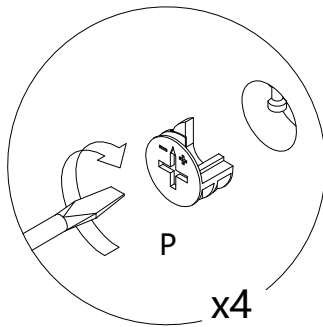
B x 4PCS

5



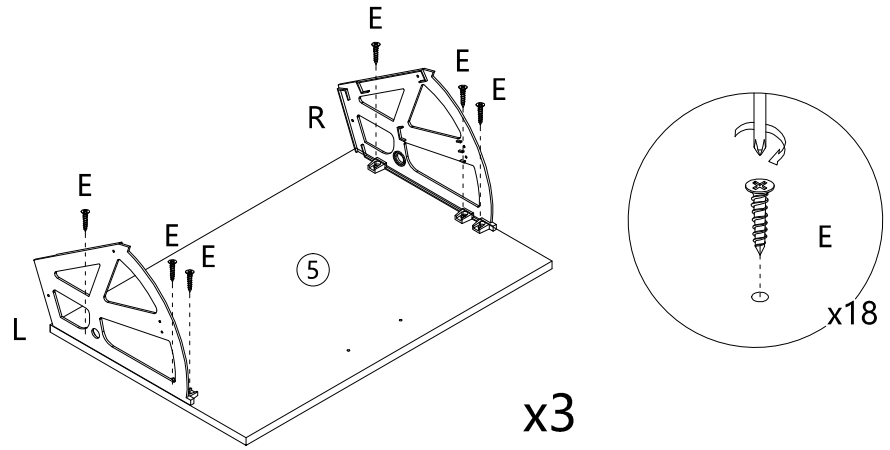
O x 4PCS


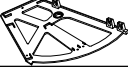

6



P x 4PCS

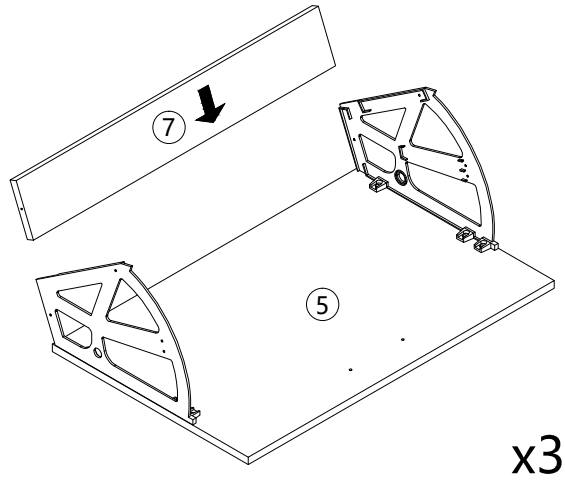
7



	E x 18PCS
	L x 3PCS
	R x 3PCS

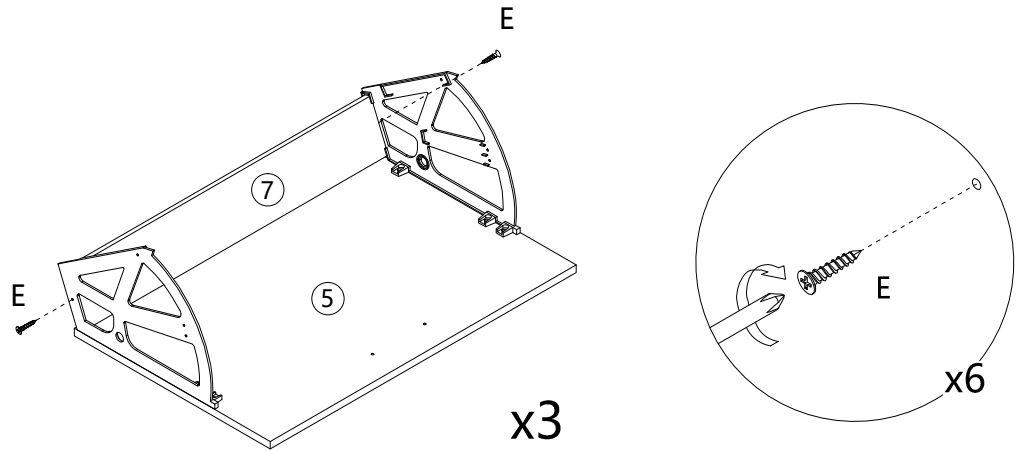
x3

8



x3

9

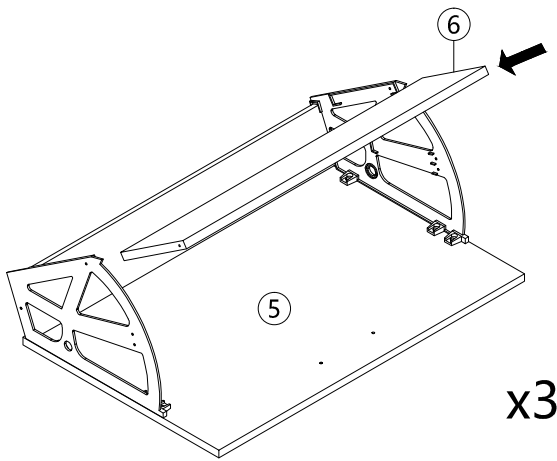


x3

	E x 6PCS
-------------------------------------------------------------------------------------	-----------------

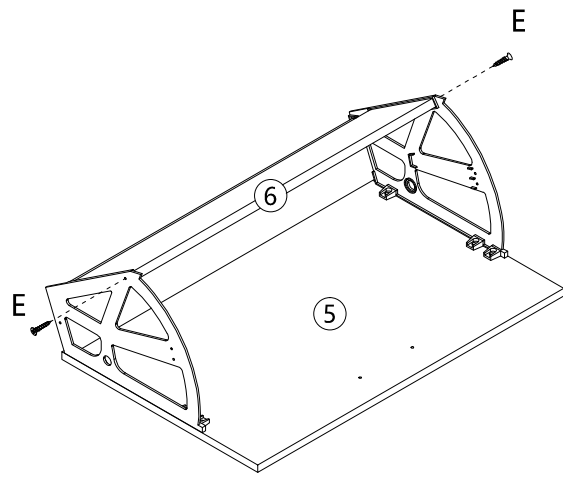
x6

10

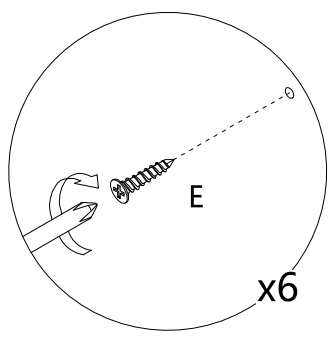


x3

11



x3

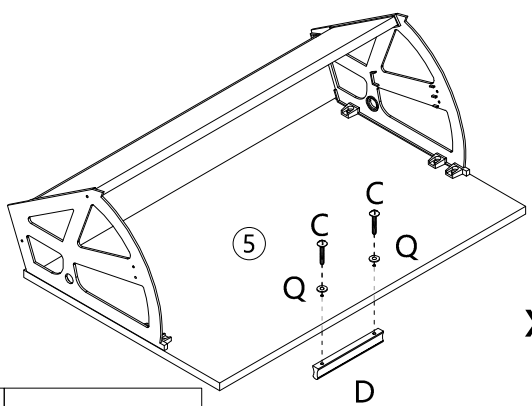


x6

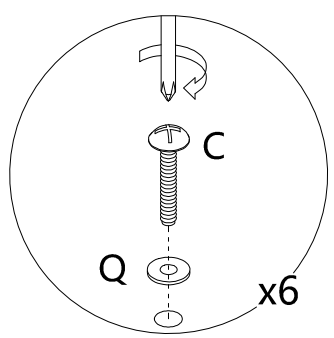


E x 6PCS

12



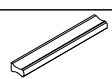
x3



x6



C x 6PCS

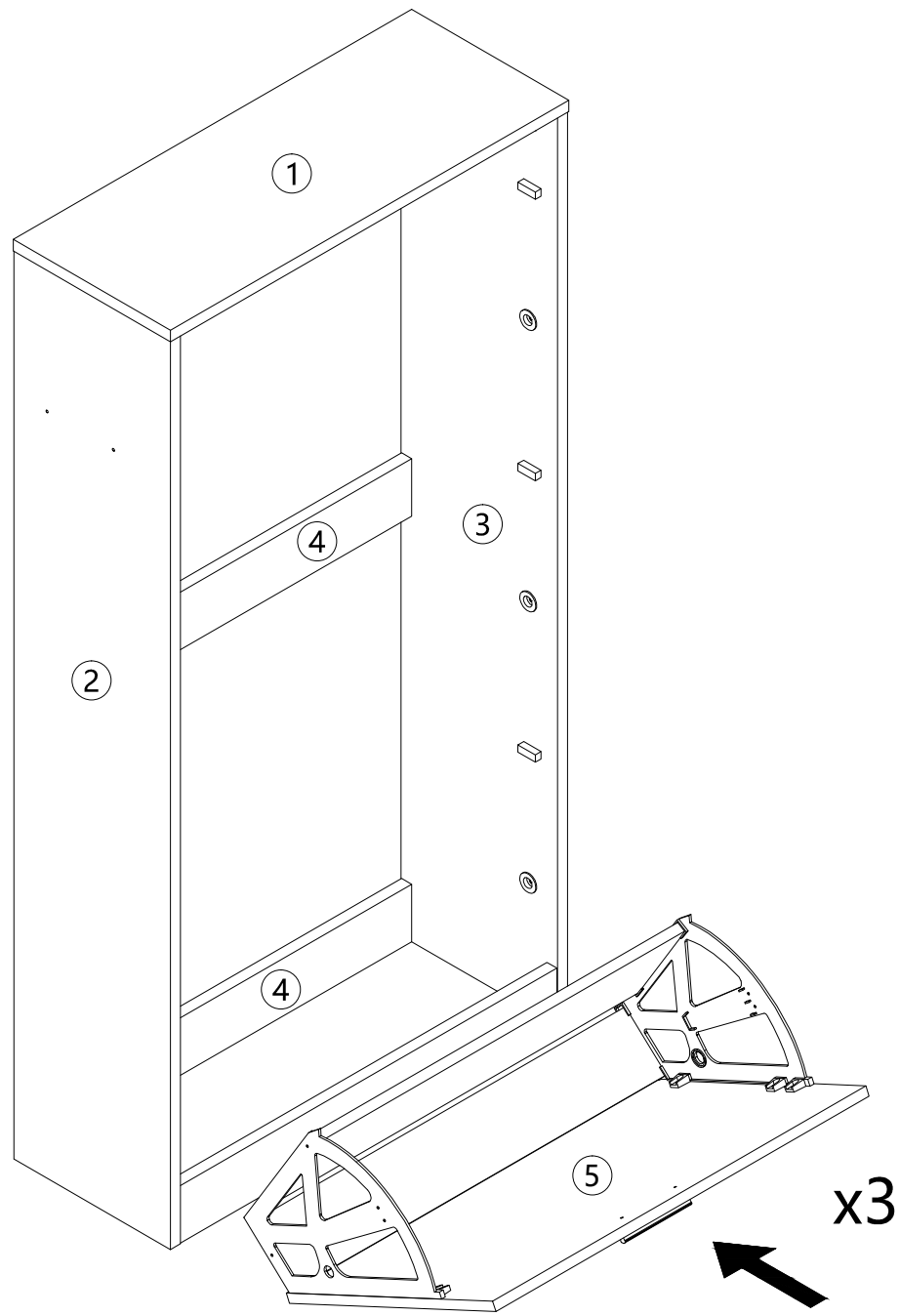


D x 3PCS

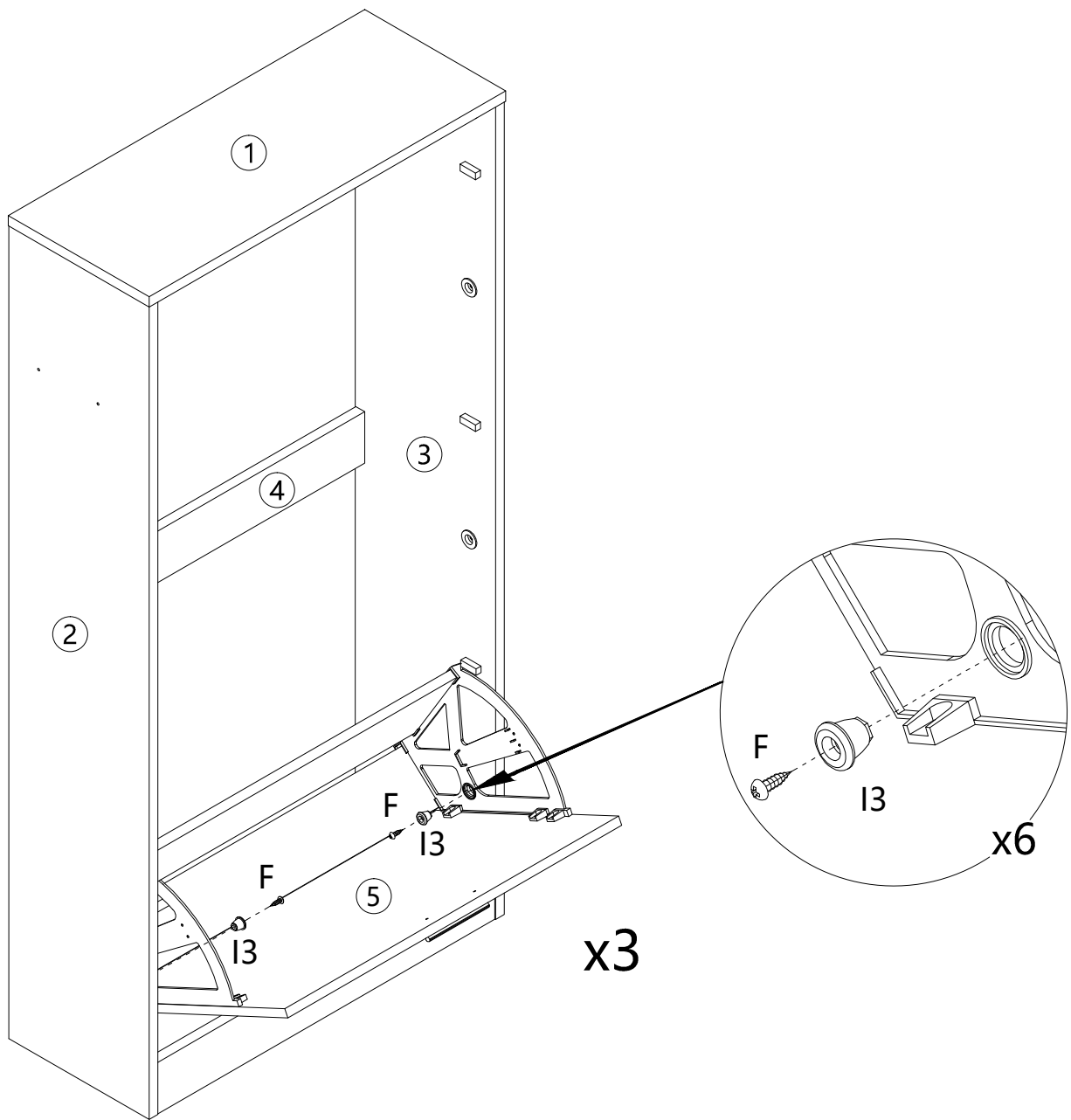


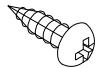

Q x 6PCS

13

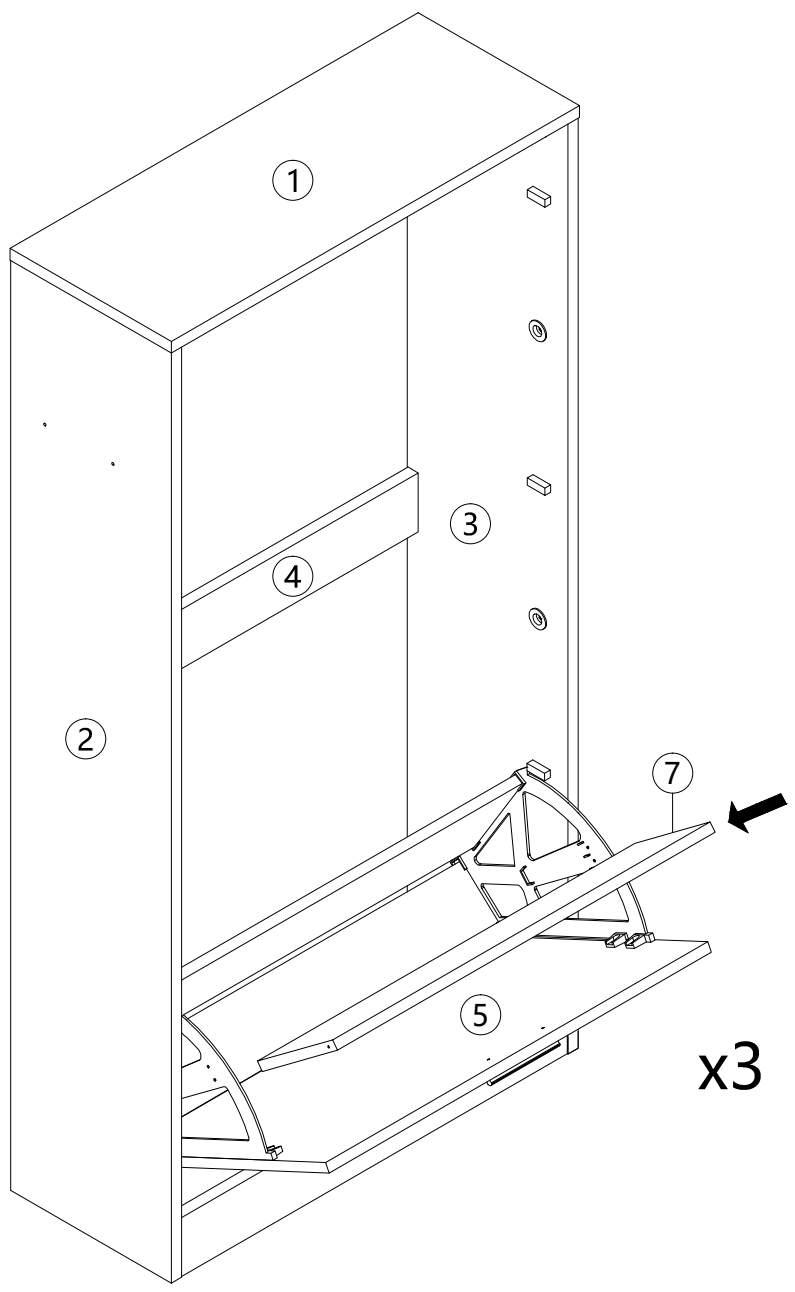


14

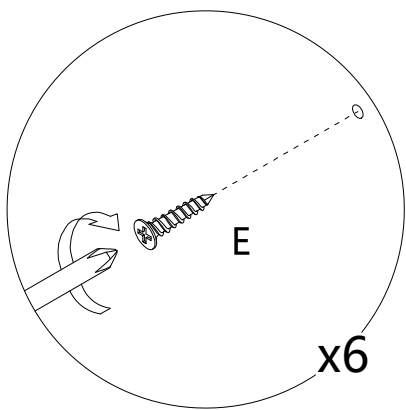
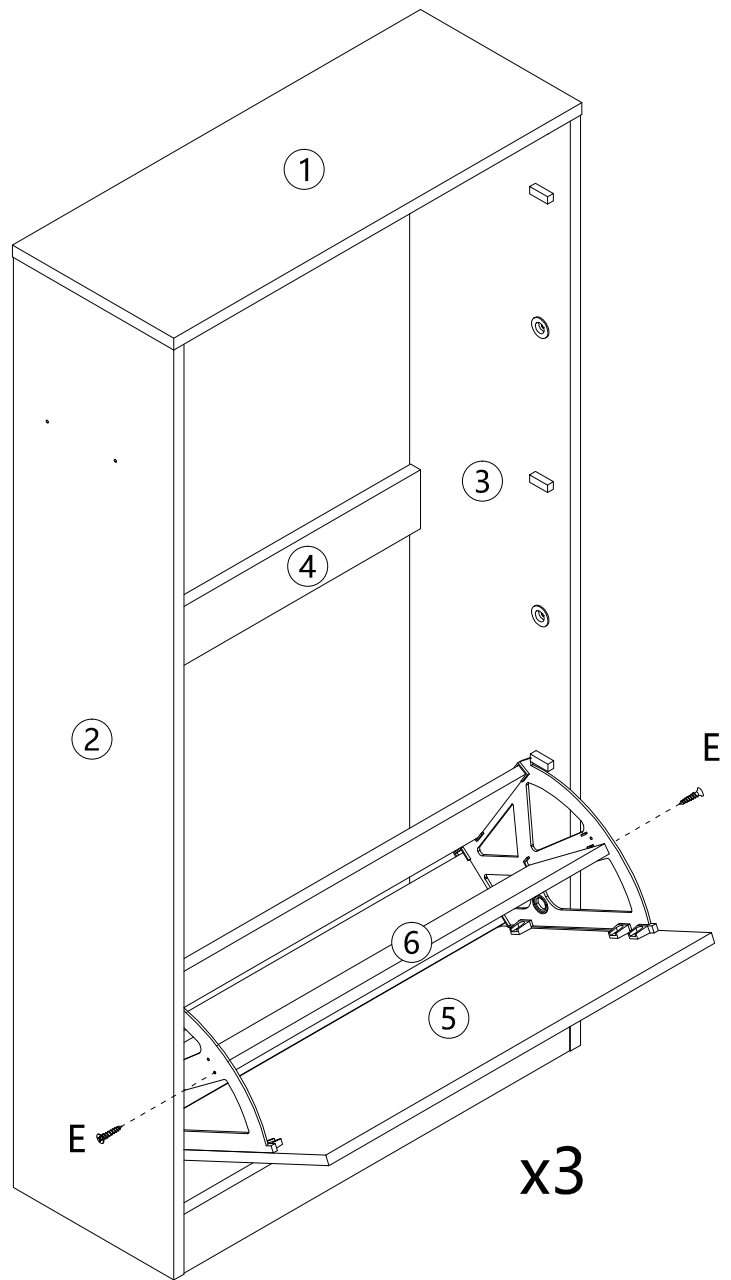



	F x 6PCS
	I3 x 6PCS

15

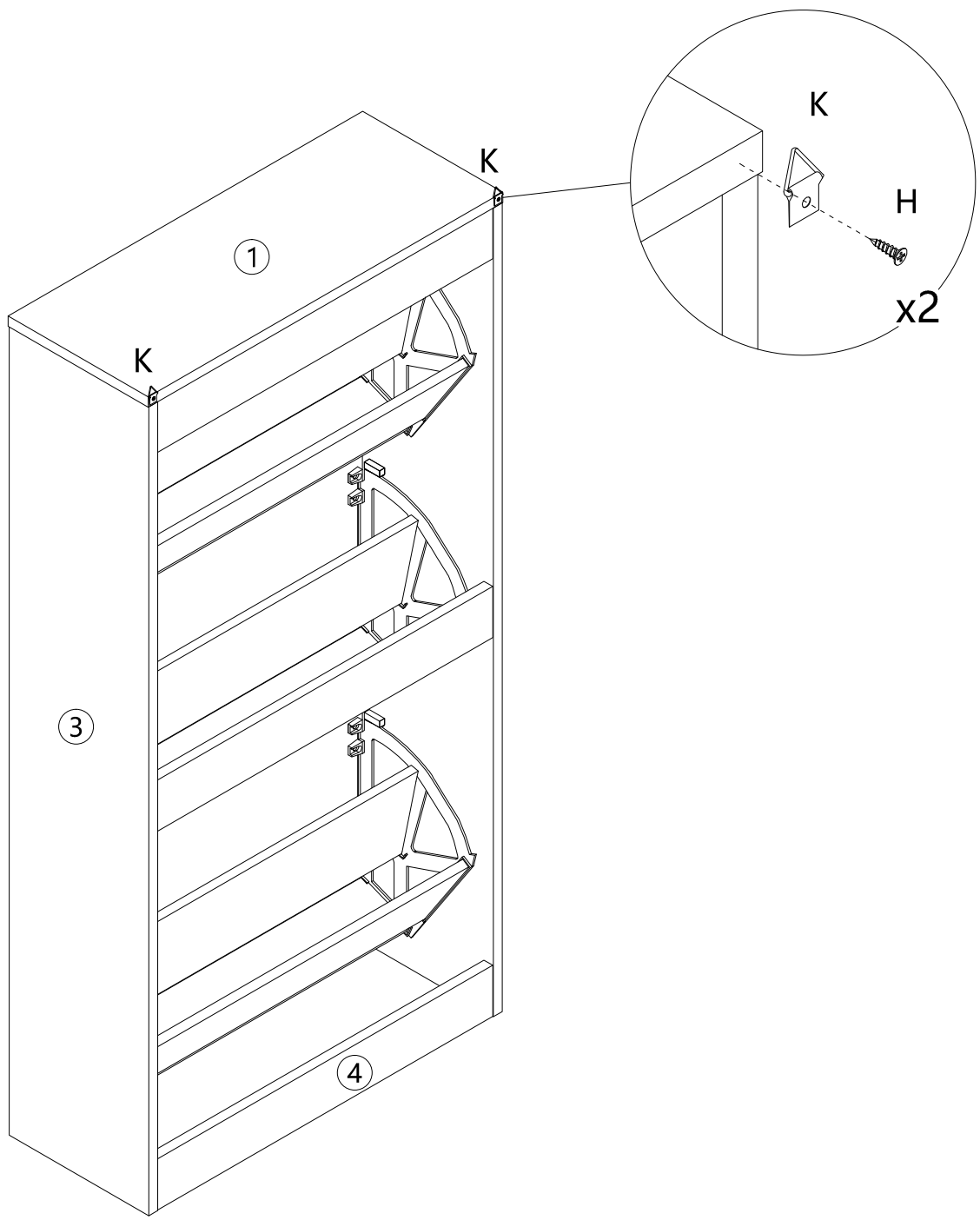


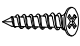

16



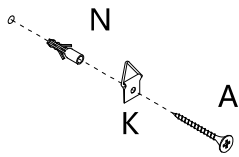
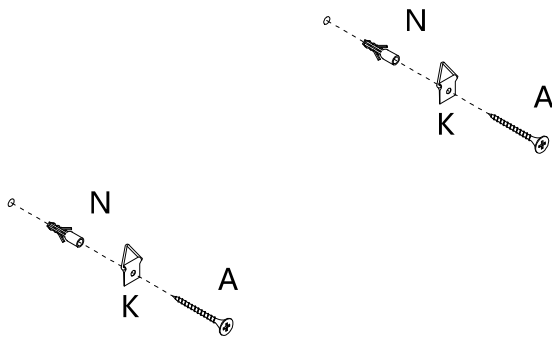
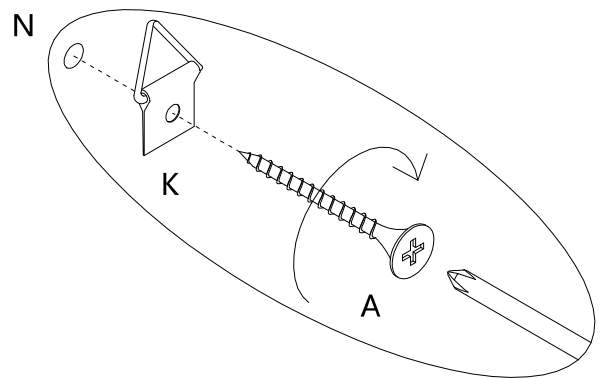
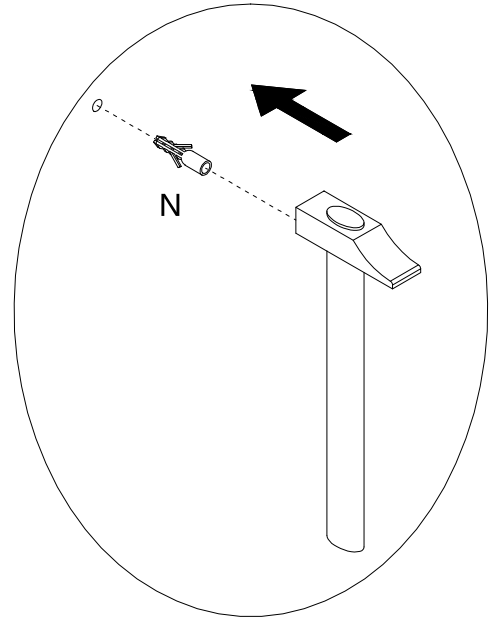
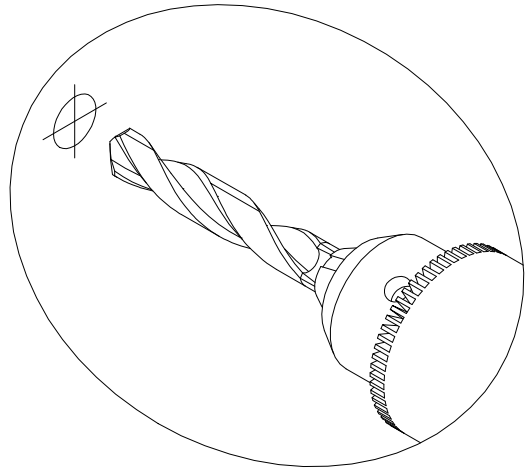
	E x 6PCS
-------------------------------------------------------------------------------------	-----------------

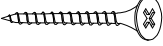


17



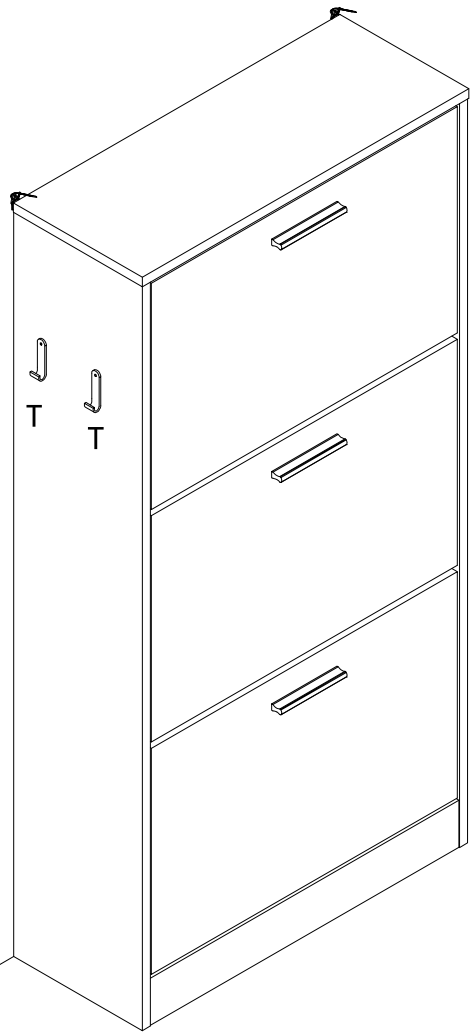
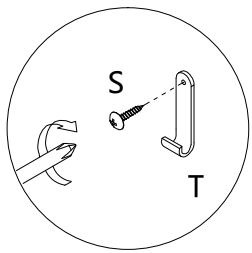
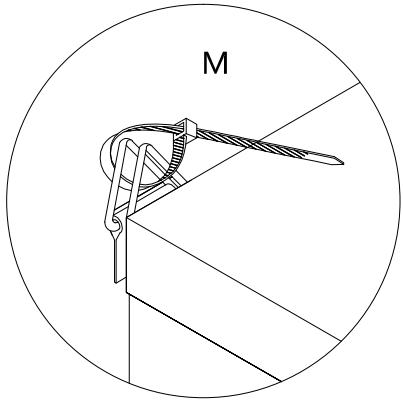
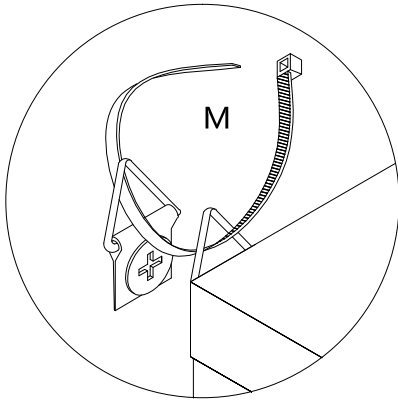
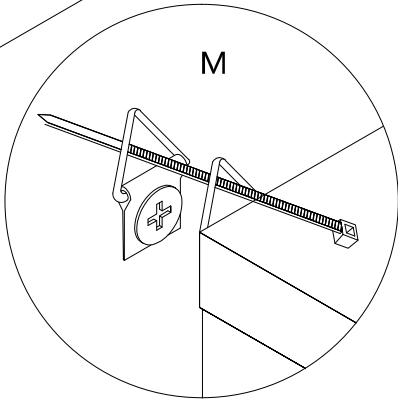
	H x 2PCS
	K x 2PCS


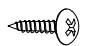
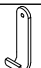
18



	A x 2PCS
	K x 2PCS
	N x 2PCS

19



	M x 2PCS
	S x 2PCS
	T x 2PCS

PRODUCT PARAMETER

Package size (mm)	1316×425×139
Size (mm)	600*237*1200
Colour	White
Type	3 layers
Texture	Chipboard
Base	No legs
Load-bearing	≥100 lbs

Address: Shuangchenglu 803nong11hao1602A-1609shi, baoshanqu, shanghai 200000 CN.

Imported to AUS: SIHAO PTY LTD, 1 ROKEVA STREETEASTWOOD NSW 2122 Australia

Imported to USA: Sanven Technology Ltd., Suite 250, 9166 Anaheim Place, Rancho Cucamonga, CA 91730

EC	REP
-----------	------------

E-CrossStu GmbH.
Mainzer Landstr.69, 60329 Frankfurt am Main.

UK	REP
-----------	------------

YH CONSULTING LIMITED.
C/O YH Consulting Limited Office 147, Centurion House, London Road, Staines-upon-Thames, Surrey, TW18 4AX

VEVOR[®]

TOUGH TOOLS, HALF PRICE

Technical Support and E-Warranty Certificate

www.vevor.com/support