

VEVOR[®]

TOUGH TOOLS, HALF PRICE

Technical Support and E-Warranty Certificate www.vevor.com/support

DINING BENCHES USER MANUAL

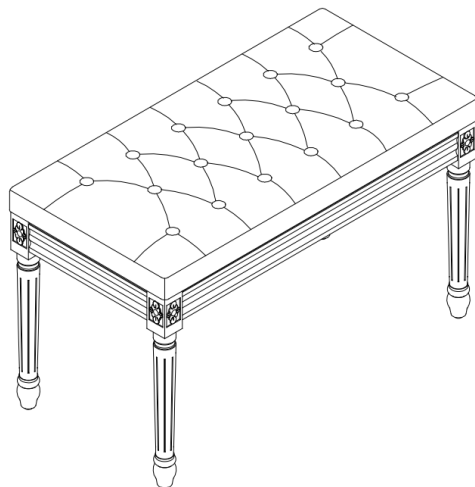
We continue to be committed to provide you tools with competitive price. "Save Half", "Half Price" or any other similar expressions used by us only represents an estimate of savings you might benefit from buying certain tools with us compared to the major top brands and does not necessarily mean to cover all categories of tools offered by us. You are kindly reminded to verify carefully when you are placing an order with us if you are actually saving half in comparison with the top major brand

VEVOR®

TOUGH TOOLS, HALF PRICE

Dining Benches

Model: 0329; 0330



NEED HELP? CONTACT US!

Have product questions? Need technical support? Please feel free to contact us:

Technical Support and E-Warranty Certificate

www.vevor.com/support

This is the original instruction, please read all manual instructions carefully before operating. VEVOR reserves a clear interpretation of our user manual. The appearance of the product shall be subject to the product you received. Please forgive us that we won't inform you again if there are any technology or software updates on our product.

PRODUCT PARAMETERS

Model	Product Size(LxWxH)	Loading Capacity	material	Color
0329	31.5"x15.75"x18.89" (800x400x480mm)	220 lbs (Max) (about 100KG)	Solid wood	Dark gray
0330	31.5"x15.75"x18.89" (800x400x480mm)	220 lbs (Max) (about 100KG)	Solid wood	Beige

ASSEMBLY PRECAUTIONS

1. Assemble needs to follow these instructions. Incorrect assembly can be a hazard.
2. Wear safety goggles and heavy-duty work gloves during assembly.
3. Do not assemble when tired or when under the influence of alcohol, drugs or medication.
4. Weight and other product properties are only applicable to correctly and completely assembled products.
5. Keep the assembly area clean and well-lit.
6. Keep bystanders out of the area during assembly.

USE PRECAUTIONS



WARNING: TO PREVENT SERIOUS INJURY AND DEATH FROM TIPPING:

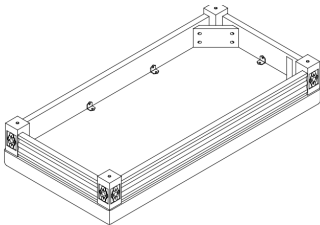

1. This product is not a toy. Do not allow children to play with or approach this item.
2. Use as intended only. Do not stand on the product.
3. Inspect before every use. Do not use it if parts are loose or damaged.
4. Tighten the lower screws every three months to prevent loosening

the legs.

5. Do not exceed the listed weight capacity. Tighten all knobs securely before applying load. Be aware of dynamic loading! The sudden load movement may briefly create an excess load, causing product failure.

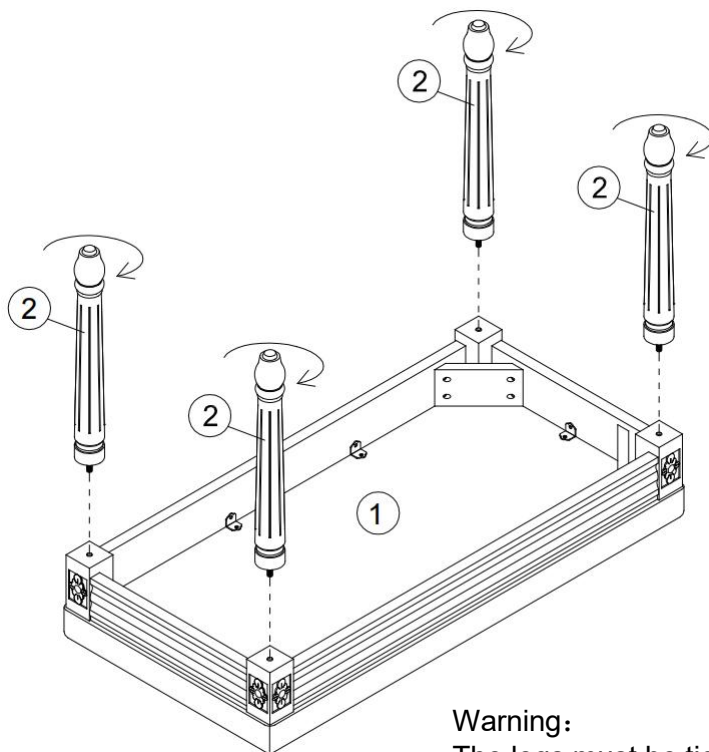
SAVE THESE INSTRUCTIONS

PARTS LIST

No.	①	②
Name	Chair frame	Chair legs
Parts		
Quantity	1 PCS	4 PCS

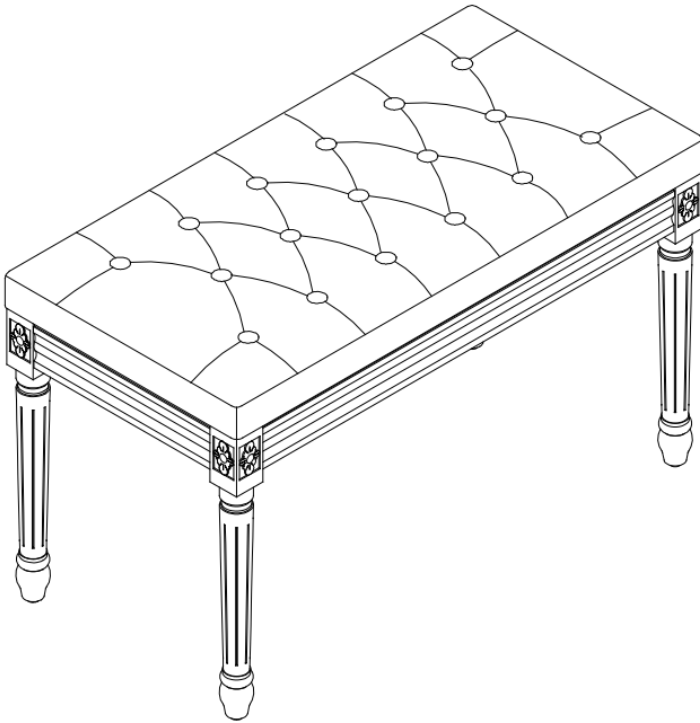
Assembly steps

STEP 1



Warning:
The legs must be tightened

COMPLETION



Cleaning

-For cleaning, wipe the surface with a damp (not wet) cloth or wipe dry with a clean lint free cotton cloth.

-Wood products cleaning solution or similar cleaning solution can be used to clean the surfaces

Sanven Technology Ltd.

Address: Suite 250, 9166 Anaheim Place, Rancho Cucamonga, CA 91730

VEVOR[®]

TOUGH TOOLS, HALF PRICE

Technical Support and E-Warranty Certificate

www.vevor.com/support