

# **VEVOR<sup>®</sup>**

## **TOUGH TOOLS, HALF PRICE**

Technical Support and E-Warranty Certificate [www.vevor.com/support](http://www.vevor.com/support)

### **PRESSURE WASHER SURFACE CLEANER**

**MODEL:BS24S**

We continue to be committed to provide you tools with competitive price.

"Save Half", "Half Price" or any other similar expressions used by us only represents an estimate of savings you might benefit from buying certain tools with us compared to the major top brands and does not necessarily mean to cover all categories of tools offered by us. You are kindly reminded to verify carefully when you are placing an order with us if you are actually saving half in comparison with the top major brands.

# VEVOR<sup>®</sup>

## PRESSURE WASHER SURFACE CLEANER

MODEL:BS24S



### NEED HELP? CONTACT US!

Have product questions? Need technical support? Please feel free to contact us:

**Technical Support and E-Warranty Certificate**  
**[www.vevor.com/support](http://www.vevor.com/support)**

This is the original instruction, please read all manual instructions carefully before operating. VEVOR reserves a clear interpretation of our user manual. The appearance of the product shall be subject to the product you received. Please forgive us that we won't inform you again if there are any technology or software updates on our product.



Warning-To reduce the risk of injury, user must read instructions manual carefully.

## INTRODUCTION

Congratulations on the purchase of your new Rotary Surface Cleaner! You can be assured this Cleaner was constructed and designed with quality and performance in mind. Each component has been rigorously tested to ensure the high level of acceptance.

This surface cleaner is designed for high-pressure cleaning of various outdoor surfaces such as concrete, asphalt, paving stone walkways, pool decks, etc. Connect the rotary surface cleaner to your pressure washer, pull the trigger, and walk behind for fast and efficient cleaning!

## SPECIFICATIONS

Max. Pressure(PSI/BAR)	4,000/276
Min. Pressure(PSI/BAR)	2,000/138
Max. Flow Rate(GPM/LPM)	3.9/14.7
Max. Temperature(°F/°C)	140/60

## IMPORTANT SAFETY INFORMATION

### A WARNING

Read and understand all instructions. Failure to follow all instructions may result in serious injury or property damage.

· The warnings, cautions, and instructions in this manual cannot cover all possible conditions or situations that could occur. Exercise common sense and caution when using this tool.

Always be aware of the environment and ensure the tool is used safely and responsibly.

· Do not allow persons to operate or assemble the product until they have read this manual and have developed a thorough understanding of how it works.

· Do not modify this product in any way. Unauthorized modification may

impair the function and/or safety and could affect the life of the product. There are specific applications for which the product was designed.

- Use the right tool for the job. DO NOT attempt to force small equipment to do the work of larger industrial equipment. There are certain applications for which this equipment was designed. It will do the job better and more safely at the capacity for which it was intended. DO NOT use this equipment for a purpose for which it was not intended.

## **WORK AREA SAFETY**

- Inspect the work area before each use. Keep the work area clean, dry, clutter-free, and well-lit. Cluttered, wet, or dark work areas can result in injury. Using the product in confined work areas may put you dangerously close to other cutting tools and rotating parts.

- Do not use the product where there is a risk of causing a fire or an explosion; e.g., in the presence of flammable liquids, gases, or dust. The product can create sparks, which may ignite the flammable liquids, gases, or dust.

- Do not allow the product to come into contact with an electrical source. The tool is not insulated and contact will cause electrical shock.

- Keep children and bystanders away from the work area while operating the tool. Do not allow children to handle the product.

- Be aware of all power lines, electrical circuits, water pipes, and other mechanical hazards in your work area. Some of these hazards may be hidden from your view and may cause personal injury and/or property damage if contacted.

## **PERSONAL SAFETY**

- Stay alert, watch what your actions, and use common sense when operating the tool. Do not use the tool while you are tired or under the influence of drugs, alcohol, or medication. A moment of inattention while operating the tool may result in serious personal injury.

- Dress properly. Do not wear loose clothing, dangling objects, or jewelry. Keep your hair, clothing and gloves away from moving parts. Loose clothes, jewelry, or long hair can be caught in moving parts. Air vents on the tool often cover moving parts and should be avoided.

- Wear the proper personal protective equipment when necessary. Use ANSI Z87.1 compliant safety goggles (not safety glasses) with side shields, or when needed, a face shield. Use a dust mask in dusty work conditions.

Also use non-skid safety shoes, hardhat, gloves, dust collection systems, and hearing protection when appropriate. This applies to all persons in the work area.

- Do not overreach. Keep proper footing and balance at all times.
- Do not use the tool when tired or under the influence of drugs, alcohol or medication.
- Remove keys or wrenches before connecting the tool to an air supply, power supply, or turning on the tool. A left wrench or key attached to a rotating part of the tool may cause personal injury.
- Secure the work with clamps or a vise instead of your hand when practical. This safety precaution allows for proper tool operation using both hands.

## **CLEANER USE AND CARE**

- Do not force the cleaner. Tools do a better and safer job when used in the manner for which they are designed. Plan your work, and use the correct tool for the job.
- Check for damaged parts before each use and before connecting the cleaner to a pressure washer. Carefully check that the cleaner will operate properly and perform its intended function. Replace damaged or worn parts immediately. Never operate the cleaner with a damaged part.
- Store the cleaner when it is not in use. Store it in a dry, secure place out of the reach of children. Inspect the cleaner for good working condition before storage and re-use.
- Use only replacement parts that the distributor recommends.  
Parts that may be suitable for one cleaner may create a risk of injury when used with another cleaner.
- Never use a part with a lower operating pressure than the cleaner.
- Do not leave the cleaner unattended when it is pressurized.
- Do not turn the cleaner over when it is pressurized by connection to an operating pressure washer to avoid high-pressure spraying water that could cause personal injury.

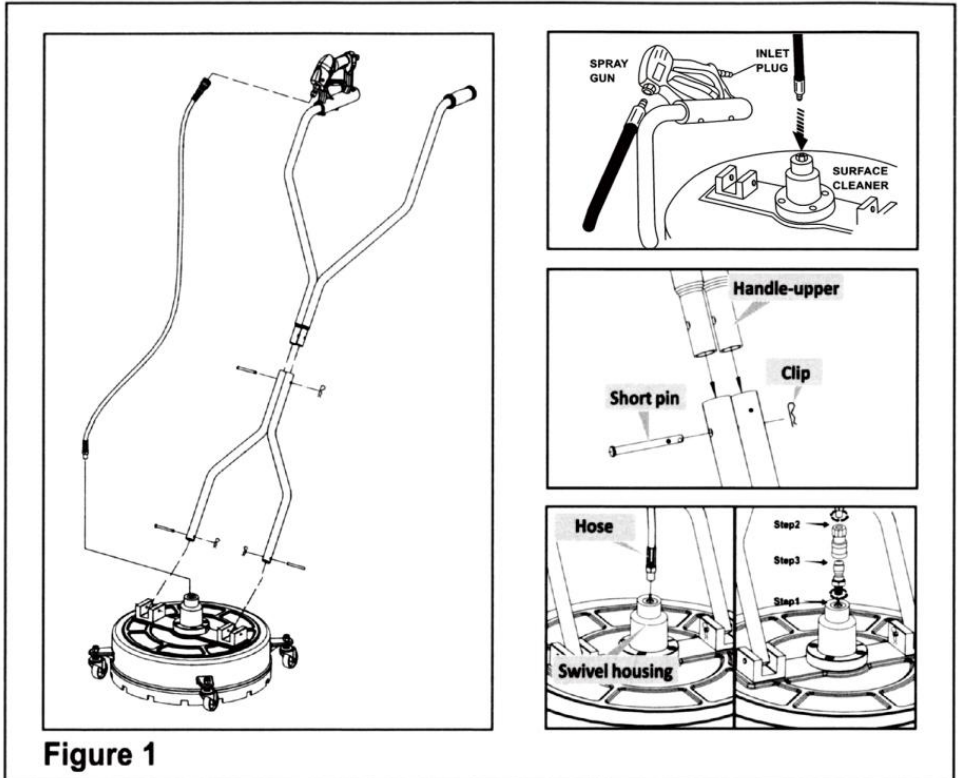
## **SPECIFIC OPERATION WARNINGS**

- DO NOT exceed the rated PSI capacity.
- Keep body parts clear of nozzle heads and away from skirt while operating machine.
- DO NOT lift machine from surface or point nozzle heads at people while operating.
- Wear the proper safety gear including ANSI Z87.1 approved safety glasses.
- Use only on hard level surfaces.
- No alterations shall be made to this product.
- Only attachments and/or adapters supplied by the manufacturer shall be used.
- Not for use by or around children.

## **PACKAGE LIST**

- 1 x Pressure Washer Surface Cleaner
- 2 x Replacement Nozzles
- 1 x Teflon Tape
- 4 x O-rings
- 1 x Through-hole Needle
- 1 x Wrench
- 2 x Adapter
- 1 x Quick Adapter Kit
- 1 x Operating Instruction

# PREPARATION & OPERATION



**Figure 1**

## UNIT ASSEMBLY(See Figure 1.)

1. Line up the holes on the lower part of handle with the holes on the cover assembly. Insert the long pins through the handle and cover holes and attach to the clips.
2. Attach the upper handle by lining up the upper and lower handle hole. Push the short pin through the aligned hole and attach it to the clip.
3. Connect the hose to the trigger handle and to the swivel located on the unit base. Tip:Package includes 1/4" quick connect set for quicker connection.

## SET-UP

1. Locate the high pressure discharge hose on your pressure washer and ensure it is securely connected to the water outlet of the pressure washer. Quick connect the other end of the high pressure discharge hose to the gun on the Rotary Surface Cleaner.
2. Connect the water supply hose, one end to your pressure washer, the other end to a pressurized water supply.

## PREPARATION & OPERATION

### SURFACE PREPARATION

1. Clear any loose debris from the area to be cleaned.
2. Never attempt to clean surface with objects that protrude from the surface being cleaned. Striking any raised obstacle during operation will damage machine. If contact does occur and results in vibration when operating machine, STOP cleaning and check the spray bar.

### START-UP

1. Lock the trigger gun on the Rotary Surface Cleaner in the "OFF" position (move the lever on the gun handle to a 90° angle so it rests against the handle grip).
2. Ensure all connections are secure.
3. Unlock the trigger gun and squeeze the Trigger while starting the Pressure Washer.
4. Water will begin flowing from the nozzles of the Surface Cleaner. Ensure nozzles are not clogged and spray pattern is not erratic.



Turn the pressure washer and water supply off and change nozzles before proceeding if problems exist.

5. Walk slowly behind the unit, cleaning as you go. If striping occurs, slow down the pace. Do not allow machine to remain stationary on soft surfaces such as wood.

### SHUT-DOWN

1. Turn the Pressure Washer off.



2. Turn the water supply off.
3. Squeeze the trigger gun to relieve water pressure.
4. Disconnect and drain the water hose and wipe down unit. Store the unit in a dry environment.

## **AFTER EACH USE**

Perform the following inspections after each use to clean the cleaner and ready it for the next use.

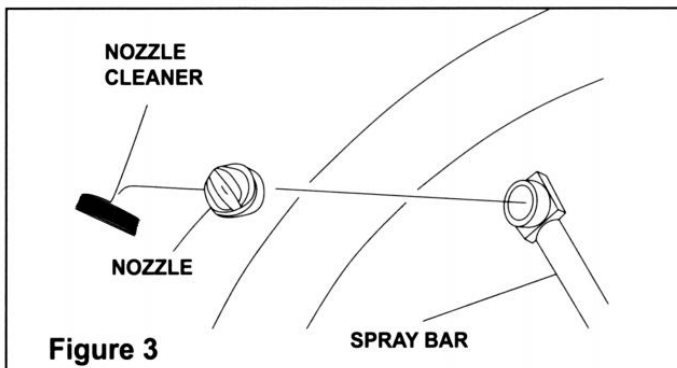
- Clean out any dirt or foreign material from under the housing and the casters. If necessary, use a cloth or sponge to wash the surface cleaner and rinse it with tap water.
- Check for loose parts and any damage.

## **NOZZLE CLEANING**

### **See Figure3.**

Excessive pump pressure (a pulsing sensation felt while squeezing the trigger) OR inadequate cleaning power may be the result of a clogged or dirty nozzle

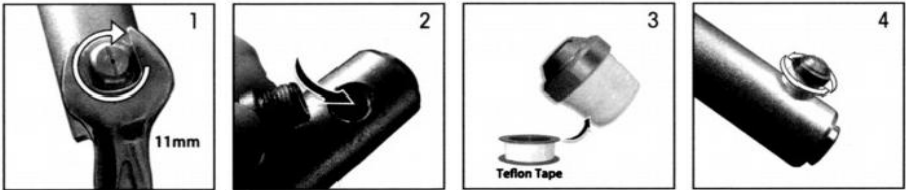
1. Turn off the pressure washer and shut off the water supply. Pull trigger to release water pressure and disconnect surface cleaner from high pressure hose.
2. Using a wrench, remove the nozzle from the spray bar. Using a nozzle cleaner (provided) to clean the nozzles.
3. Using a garden hose, flush debris out of nozzle by back flushing (running the water through the nozzle backward or from the outside to the inside).
4. Reconnect the nozzle to the spray bar and tighten it securely.



## NOZZLE REPLACEMENT

1. Remove the nozzle from spray bar with an appropriate wrench.
2. Rinse mounting holes with fresh water to clean impurities.
3. Cover new nozzles thread with attached teflon tape.
4. Align the nozzle opening, reinstall nozzles to the spray bar. Tighten securely.

Note: If the nozzle is difficult to remove, please heat it with a hot blower before removing.



## TROUBLESHOOTING

PROBLEM	PROBABLE CAUSE	CORRECTIVE ACTION
Missing parts	Damaged package	Contact our Customer Service for help.
Inadequate cleaning power	Not enough PSI from pressure washer	Ensure unit produces a minimum pressure washer 2,000 PSI.
	Nozzle obstructed or worn	Clean or replace the nozzles.
Spray bar will not rotate	Defective, snap ring dislodged	Do not use! Contact our Customer Service for help.
	Unstable connection, the spray bar fell off	
	Seal malfunction, water shooting from swivel	
Excessive vibration of surface cleaner	Nozzle clogged	Clean or replace the nozzles.
Streaked cleaning pattern	Nozzle clogged	Clean or replace the nozzles.
	Cleaning too fast	Slow down pace.

**VEVOR<sup>®</sup>**

**TOUGH TOOLS, HALF PRICE**

**Technical Support and E-Warranty Certificate**

**[www.vevor.com/support](http://www.vevor.com/support)**