

# **VEVOR<sup>®</sup>**

**TOUGH TOOLS, HALF PRICE**

Technical Support and E-Warranty Certificate [www.vevor.com/support](http://www.vevor.com/support)

## **PRESSURE WASHER HOSE REEL CART**

**MODEL:GT0703-1**

We continue to be committed to provide you tools with competitive price.

"Save Half", "Half Price" or any other similar expressions used by us only represents an estimate of savings you might benefit from buying certain tools with us compared to the major top brands and does not necessarily mean to cover all categories of tools offered by us. You are kindly reminded to verify carefully when you are placing an order with us if you are actually saving half in comparison with the top major brands.

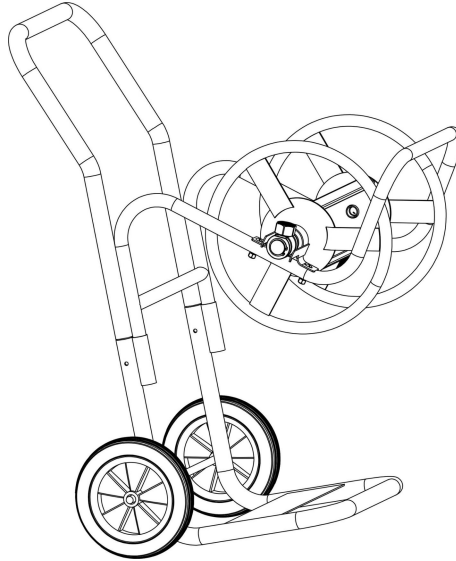


# VEVOR®

TOUGH TOOLS, HALF PRICE

PRESSURE WASHER HOSE  
REEL CART



MODEL:GT0703-1



## NEED HELP? CONTACT US!

Have product questions? Need technical support? Please feel free to contact us: **Technical Support and E-Warranty Certificate**  
[www.vevor.com/support](http://www.vevor.com/support)

This is the original instruction, please read all manual instructions carefully before operating. VEVOR reserves a clear interpretation of our user manual. The appearance of the product shall be subject to the product you received. Please forgive us that we won't inform you again if there are any technology or software updates on our product.

|   |   |
|---|---|
|  | <p>Warning-To reduce the risk of injury, user must read instructions manual carefully.</p>  |
|   | <p>This symbol, placed before a safety comment, indicates a kind of precaution, warning, or danger. Ignoring this warning may lead to an accident. To reduce the risk of injury, fire, or electrocution, please always follow the recommendation shown below.</p> |



### **Rules for Safe Operation**

#### **WARNING:**

The following safety precautions are suggested. This Hose Reel Cart is designed, engineered and tested to offer reasonably safe and effective service, provided that it is operated in strict accordance with these instructions. Failure to do so may result in personal injury. Always observe the rules of safe operation. Please read and retain this manual.

1. Be alert for holes in the terrain and other hazards.
2. Follow maintenance and lubrication instructions as outlined in this manual.
3. Always wear substantial footwear. Do not wear loose fitting clothing that may get caught in moving parts.
4. DO NOT SIT OR STAND ON THIS ITEM.
5. This product is not a toy nor. Do not allow children to play with or near this item.
6. Use only on a flat, level, hard and smooth surface capable of safely supporting a fully loaded Chest.
7. Use as intended only.
8. Inspect before every use; do not use if parts are loose or damaged.

#### **ASSEMBLY PRECAUTIONS:**

1. Assemble only according to these instructions. Improper assembly can create hazards.
2. Wear ANSI-approved safety goggles and heavy-duty work gloves during

assembly.

3.Keep assembly area clean and well lit.

4.Keep bystanders out of the area during assembly.

5.Do not assemble when tired or when under the influence of alcohol, drugs or medication.


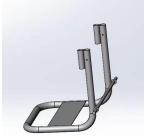
6.Product capabilities apply to properly and completely assembled product only.

7.Assemble on a flat, level, hard and smooth surface capable of safely supporting a fully loaded Pressure Washer Hose Reel Cart.


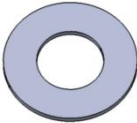
## SAVE THESE INSTRUCTIONS

|  |             |
|--|-------------|
| <b>Model</b>                                 | GT0703-1    |
| <b>Maximum Capacity. (5/8"Flexible Pipe)</b> | 200ft       |
| <b>Number of Wheels</b>                      | 2           |
| <b>Colour</b>                                | Silver Gray |

## Carton Contents

| <b>Ref.</b> | <b>Description</b> | <b>Picture</b>  | <b>QTY.</b> |
|-------------|--------------------|---|-------------|
| 1           | Hose Reel          |  | 1           |
| 2           | Support Frame 1    |  | 1           |

|    |                                      |   |   |
|----|--------------------------------------|---|---|
| 3  | Handle                               |    | 1 |
| 4  | Frame 2                              |    | 1 |
| 5  | 8"*1.75" Wheel                       |    | 2 |
| 6  | Shake Handle                         |    | 1 |
| 7  | Fixings                              |    | 1 |
| 8  | Plastic Sleeve                       |    | 1 |
| 9  | M6*40 Bolt & M6 Lock Nut & M6 washer |  | 4 |
| 10 | R-pin                                |  | 1 |

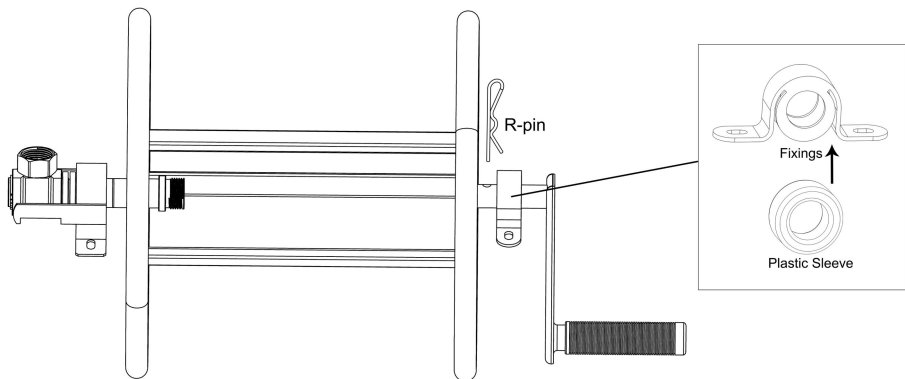
|    |             |   |   |
|----|-------------|---|---|
| 11 | Cotter Pins |  | 2 |
| 12 | Washer      |  | 2 |

## Assembly Instructions

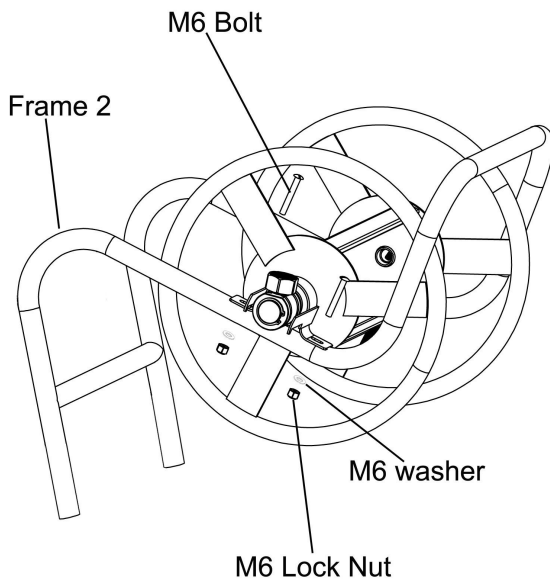
### Tools Needed for Cart Assembly

- (1) Screwdriver.
- (2) M10 Wrench or Adjustable Wrench.

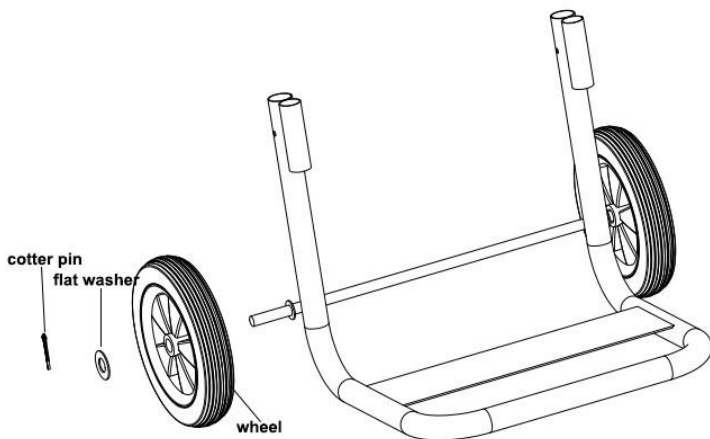
1. Put the plastic sleeve in the fixings first, then put them on the handle and fix them with the R-pin.



2. Fix the hose reel to frame 2 with M6\*40 Bolt & M6 Look Nut & M6 washer.

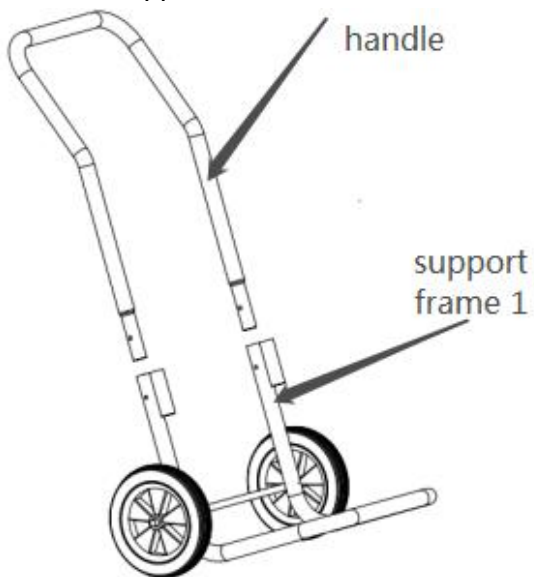


3. Install wheels using flat Washer and cotter pin.

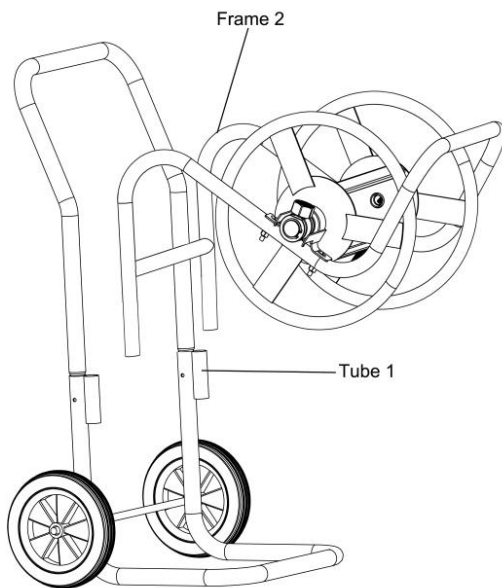




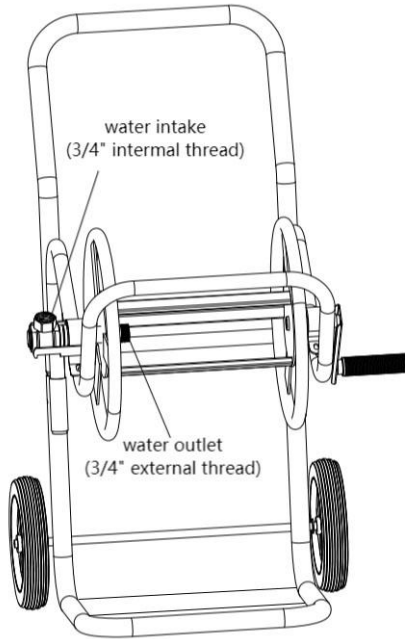
4. Insert the handle into the Support Frame 1.



5. Insert the Frame 2 to the Tube 1.



## Connect the water pipe



**Manufacturer: Shanghai muxinmuyeyouxiangongsi**

**Address: Shuangchenglu 803nong11hao1602A-1609shi, baoshanq, shanghai 200000 CN.**

**Imported to AUS: SIHAO PTY LTD. 1 ROKEVA STREET EASTWOOD NSW 2122 Australia**

**Imported to USA: Sanven Technology Ltd. Suite 250, 9166 Anaheim Place, Rancho Cucamonga, CA 91730**

|           |            |
|-----------|------------|
| <b>UK</b> | <b>REP</b> |
|-----------|------------|

YH CONSULTING LIMITED. C/O YH Consulting  
Limited Office 147, Centurion House, London  
Road, Staines-upon-Thames, Surrey, TW18 4AX

|           |            |
|-----------|------------|
| <b>EC</b> | <b>REP</b> |
|-----------|------------|

E-CrossStu GmbH  
Mainzer Landstr.69,  
60329 Frankfurt am Main.



**VEVOR<sup>®</sup>**

**TOUGH TOOLS, HALF PRICE**

**Technical Support and E-Warranty Certificate**

**[www.vevor.com/support](http://www.vevor.com/support)**