

VEVOR[®]

TOUGH TOOLS, HALF PRICE

Technical Support and E-Warranty Certificate www.vevor.com/support

TRACTION LAWN ROLLER USER MANUAL

We continue to be committed to provide you tools with competitive price.

"Save Half", "Half Price" or any other similar expressions used by us only represents an estimate of savings you might benefit from buying certain tools with us compared to the major top brands and does not necessarily mean to cover all categories of tools offered by us. You are kindly reminded to verify carefully when you are placing an order with us if you are actually saving half in comparison with the top major brands.

VEVOR®

TOUGH TOOLS, HALF PRICE

TRACTION
LAWN ROLLER

TI-1836



NEED HELP? CONTACT US!

Have product questions? Need technical support? Please feel free to contact us:

Technical Support and E-Warranty Certificate
www.vevor.com/support

This is the original instruction, please read all manual instructions carefully before operating. VEVOR reserves a clear interpretation of our user manual. The appearance of the product shall be subject to the product you received. Please forgive us that we won't inform you again if there are any technology or software updates on our product.

FOR YOUR SAFETY

Please read & understand this manual, paying attention to the safety instructions, before use.

Incorrect use of the product could put the operator or machine in danger.

Whilst every effort has been made to ensure the accuracy of information contained in this manual, our policy of continuous improvement determines the right to make modifications without prior warning.

Images used are for illustration purposes only.

IMPORTANT INFORMATION

INTENDED USE

The product is intended for the rolling of soil and turf in or around the home domestic garden. It may only be filled with water or sand. It may not be filled with stones, glass, metal, bones, plastics or material scraps. This product is not intended for commercial use. Generally acknowledged accident prevention regulations and enclosed safety instructions must be observed. Only perform work described in these instructions for use, any other use is incorrect. The manufacturer will not assume responsibility for damage resulting from such use.

When operating with a tractor, do not exceed 6mph.

WARNING

Read this instruction manual carefully before operating this machine. Make sure that you are familiar with the controls and properly operate the machine. Following these instructions can reduce the risk of personal injury.

IF IT IS USED UNPROPERLY, THIS MACHINE CAN BE DANGEROUS!

This machine can cause serious injury to the operator and others. The warning and safety instructions must be followed to ensure reasonable safety and efficiency in using this product. The operator is responsible for following the warning and safety instructions in this manual and on the machine. Never use the product unless the components are correctly positioned and operational.








TRAINING

Read the instructions carefully: Be familiar with the controls and the proper use of the equipment. Never allow children or people unfamiliar with these instructions to use the product. Local regulations can restrict the age of the operator. Keep in mind that the operator or user is responsible for accidents or hazards involving the machine that occur to other people or their property.

GENERAL SAFETY INSTRUCTIONS

It is important that you read and understand the owner's manual and labels affixed to the machine. Learn its application and limitations as well as the specific potential hazards. Retain these instructions for future reference. The operator is responsible for following the warnings & instructions in this manual and on the product.

SAFETY SYMBOLS

	<p>Read & understand the operator's manual for the roller and the ride on product which may be used to tow, before using the roller. Failure to follow instructions could result in death or serious injury.</p>		<p>Risk of Slicing. Keep hands out of the way of all moving parts.</p>
	<p>Wear gloves to protect your hands. Wear foot protection at all times.</p>		<p>Safety alert symbol. Used to alert you to potential personal injury hazards. Obey all safety messages that follow this symbol to avoid possible injury.</p>
 <p>DANGER</p>	<p>Indicates an imminently hazardous situation which, if not avoided, will result in serious injury.</p>	 <p>WARNING</p>	<p>Indicates an imminently hazardous situation which, if not avoided, will result in serious injury.</p>
 <p>CAUTION</p>	<p>Indicates an imminently hazardous situation which, if not avoided, will result in serious injury.</p>	<p>CAUTION</p>	<p>Used without the safety alert symbol indicates a potentially hazardous situation which, if not avoided, may result in property damage.</p>

OPERATING WITH RIDE-ON MACHINERY

ALWAYS adhere to the instructions supplied in the approved tow vehicles Operator's Manual.

STAY ALERT

Do not operate the machine while under the influence of drugs, alcohol, or any medication that could affect your ability to use it properly. Do not use this machine when you are tired or distracted from the job at hand. Be aware of what you are doing at all times. Use common sense.

USERS

Do not at any time carry passengers on the roller.

Do not allow children to play on, stand upon or climb on the roller. Never allow children or people unfamiliar with these instructions to use the roller.

Local regulations can restrict the age of the operator.

AVOID DANGEROUS CONDITIONS

Work in daylight or in good artificial light; always be sure of your footing on slopes; walk, never run with the roller; exercise extreme caution when changing direction on slopes; do not work on excessively steep slopes; use extreme caution when reversing or pulling the roller towards you; do not put hands or feet near or under rotating or moving parts.

KEEP BYSTANDERS AND CHILDREN AWAY

Keep unauthorized persons at a safe distance away from the roller. If approached, stop the machine immediately. Do not allow children to handle, climb on or use the machine. Keep in mind the operator or user is responsible for accidents or hazards occurring to other people or their property.

INSPECT YOUR ROLLER

Check all bolts, nuts, and screws for tightness before each use, especially those securing guards and drive mechanisms. Vibration during use, may cause these to loosen.

Form a habit of checking to see that all other tools/equipment are removed from

the working area before operating. Replace damaged, missing or failed parts before using it. Warning labels carry important information. Replace any missing or damaged warning labels.

DRESS PROPERLY

Do not wear loose clothing, gloves, scarves, neckties, or jewelry (rings, wristwatches), which can be caught in moving parts. Always wear long trousers. Always wear substantial nonslip, substantial or heavy-duty safety footwear is highly recommended when working. Never operate barefoot or when wearing sandals. Wear a face or dust mask if the operation is dusty. Always wear safety glasses/goggles and/or face shields.

Everyday eyeglasses have only impact resistant lenses; they are not safety glasses/goggles. Wear protective hair covering to contain long hair, preventing it from getting caught in machinery.

DO NOT OVERREACH

Always keep proper footing and balance when using the roller. Use across a slope with great care, do not operate up or down a slope. Never stand on the roller. Serious injury could occur if the machine is tipped or if the moving parts are unintentionally contacted. Do not store anything above or near the roller, where anyone might stand on the roller to reach them.

AVOID INJURY FROM UNEXPECTED ACCIDENT

Keep hands & feet out of the way of all moving parts. Do not place any part of your body or any tool e.g. in the machine during operation.

DO NOT FORCE ROLLER

Avoid large holes and ditches. Always work within the rated capacity. Do not use the roller for a purpose for which it was not intended. Be careful when operating on steep gradients the roller may tip over. Always operate at reduced speed on or near rough terrain, along creeks, ditches, hillsides and public highways.

To avoid personal injury and/or equipment damage **DO NOT EXCEED 6 MPH**. Only tow with recommended vehicles (Lawn/Garden Tractors and ATVs). Always secure and lock roller to the vehicle hitch before operating.

INSPECT

Before using, always visually inspect to see that the roller is not worn or damaged. Replace worn or damaged elements and bolts in sets, to preserve balance.

MAINTAIN YOUR MACHINE WITH CARE

Clean the machine immediately after use. Keep the machine clean to ensure it operates to its full and safest performance. When maintaining this machine, only the manufacturer's original replacement parts should be used. The use of non-original manufacturer parts may invalidate your warranty.

PROTECT THE ENVIRONMENT

Take old or damaged materials to an authorised collection point or follow the stipulations in the country where the machine is used. Do not discharge into drains, soil or water.

STORE IDLE EQUIPMENT

When not in use, the roller should be stored in a dry location away from direct sunlight. Keep the machine away from children and others not qualified to use it.

FILLING THE DRUM - WATER

When filling the drum with water, do not connect a hose pipe via a fixed coupling, which could cause a build-up of pressure within the drum. Always empty the roller drum after you have finished using it, in order to prevent it from rusting and also protect from sub-zero temperatures. Antifreeze can be used for further protection.

FILLING THE DRUM – SAND

When filling the drum with sand, it is recommended a large funnel is used to ease the filling method.



WARNING

If any parts are damaged or missing do not operate this product until the parts are replaced. Failure to heed this warning could result in serious personal injury.

Do not attempt to modify this product or create accessories not recommended for use with this product. Any such alteration or modification is misused and could result in a hazardous condition leading to possible serious personal injury.

Read and follow all instructions for assembly and operation. Failure to properly assemble this equipment could result in serious injury to the user or bystanders, or cause equipment damage.

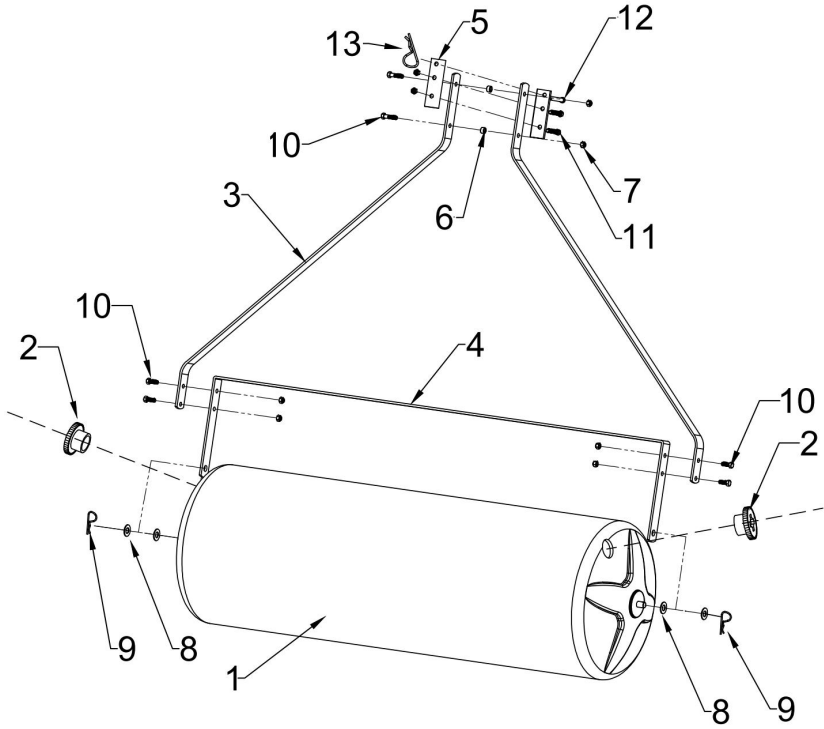
ASSEMBLY IS REQUIRED - MINIMUM TWO PERSONS

This product requires assembly before use. See “Assembly” section for instructions. Because of the weight and/or size of the roller, it is recommended that another adult be present to assist with the assembly. Inspect all components closely upon receipt to make sure no components are missing or damaged.

TOOLS REQUIRED

- 13mm Spanner
- 17mm Spanner

PART LIST:



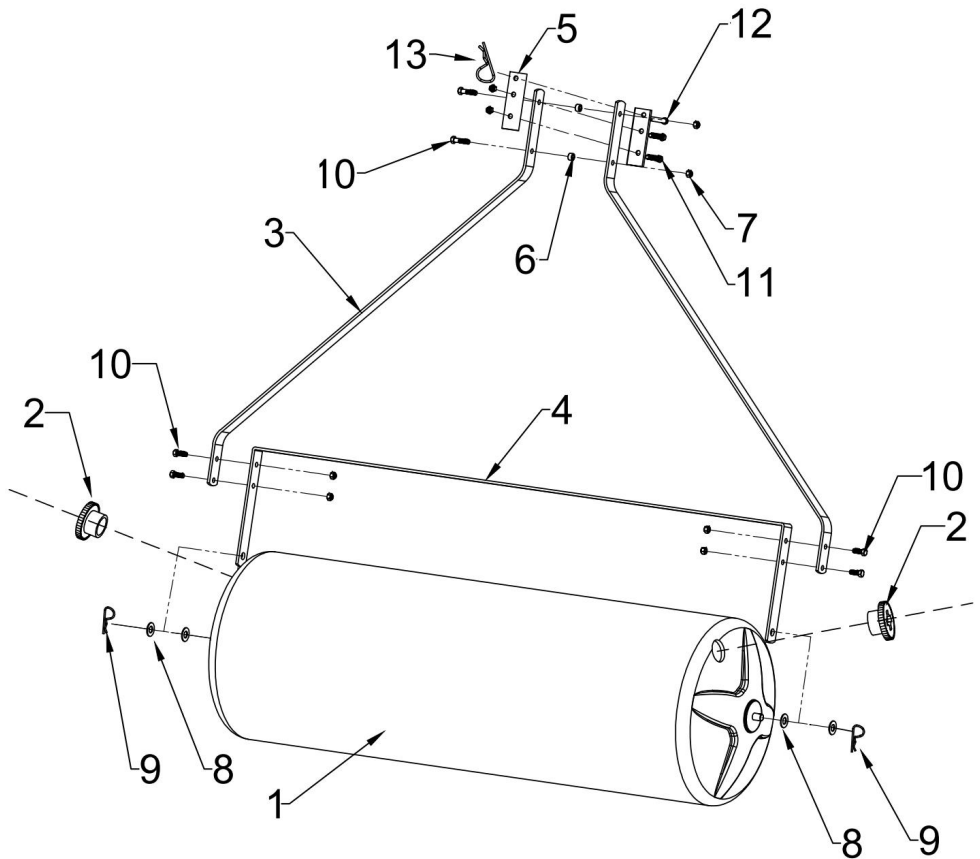
Item No	Handy Description	Qty
1	Drum	1
2	Plug	2
3	Draw bar	2
4	Brace	1
5	Clevis Jaw	2
6	Support Bush	2
7	M10 Lock Nut	8
8	Washer	4
9	Large B-Pin	2
10	M10x35 Bolt	6
11	M10x65 Bolt	2
12	Hitch Pin	1
13	Small B-pin	1

SPECIFICATIONS

The manufacturer reserves the right to change the product specification and livery according to continued product improvements.

Model	TI-1836
Drum Width	1158mm
Drum Diameter	445mm
Product Dimensions	W 1158 x L 1240 x H 445mm
Drum Capacity (Water)	140 Litre
Weight (Filled with Sand)	210kg
Weight	N.W 19.7 - GW 24 kg

ASSEMBLE:



STEP 1

Place washer (8) onto the left & right drum (1) spindles. Place the brace (4) onto drum spindles. Slide another washer (8) over both drum spindles and secure with the large B-pin (9), by sliding it through the hole located on the drum spindles.

STEP 2

Secure the left and right draw bars (3) to the brace through the two fixing holes at the top of the brace, using M10x35 bolt (10) x2 and M10 lock nut (7) x2. **Do not fully tighten until Step 5.**

STEP 3

Secure the upper section of the draw bars. Slide 2x M10x35 bolts (10) through the two fixing holes of the draw bar, ensuring a Support Bush (6) is located between the two draw bars and the M10x35 bolt (10) passes through. Secure using M10 lock nut (7) x2 . **Do not fully tighten until Step 5.**

STEP 4

Secure the two clevis jaws (5) to the draw bars. Ensure the two hitch-fixing holes of the clevis jaws are towards the roller. The lower of the two fixing holes should be positioned between the two bolts fitted in Step 3. Secure with M10x65 bolt (11) x2 and M10 lock nut (7) x2. **Do not fully tighten until Step 5.**

STEP 5

Now tighten all the nuts and bolts from steps 2, 3 & 4 until fully secure. The lock nuts will require a certain amount of effort to break through the nylon nut plastic inner coating. Pull the clevis jaws (5) to its highest point and tighten both nuts & bolts through the draw bars (3).

STEP 6

Slide the hitch pin (12) through the uppermost hole within the clevis jaws and secure it with the small B-pin (13).

IMPORTANT:

Never use the roller up and down slopes. Always work across a slope, ensuring the machine towing the roller has no chance of sliding or tipping over.

ROLLER PREPARATION

The roller may be filled with water or sand by removing the fill/drain plug(2). Filling with the required amount and replacing the plug. If using water in the roller you may want to add anti-freeze during cold weather however, we recommend the roller is drained before winter storage, in order to avoid frost damage even if you have used anti-freeze.

USING YOUR ROLLER

1. **DO NOT** exceed rated capacity.
2. **ALWAYS** secure and lock the roller to the ride-on machinery hitch before operating.
3. **ONLY** use approved vehicles when towing the roller (Lawn/Garden Tractors and ATVs).
4. **DO NOT** at any time carry passengers on the roller or approved vehicle.
5. **ALWAYS** adhere to the instructions supplied in the approved vehicle Operator's Manual.
6. Start the vehicle engine with the controls in a neutral position, and put the throttle at the slowest engine speed. Put the transmission in low gear first when entering the work area. Increase the speed as work conditions permit.
7. Vehicle braking and stability may be affected by the attachment of this equipment.
8. **NEVER EXCEED 6 MPH** when towing the roller.
9. Roll in straight lines, making overlapping passes.
10. **DO NOT** make sharp turns that may cause the vehicle's tires to rub against the roller.
11. Avoid extremely sharp turns to prevent damage to the lawn.
12. On sloped lawns, always operate across the slope. Do not exceed the degree of slope indicated in the Operators Manual of your approved vehicle.
13. Always use caution when backing the roller to avoid "jack-knifing". Always back up in a straight line.

14. To increase the compaction of the ground, extra weight may be added to the drum by filling it with water or sand. Never overfill the drum, approximately 75% of the drum's capacity is the maximum weight that should be added.

ATTACHING THE ROLLER TO THE TOW VEHICLE

- Park the tow vehicle and roller on level ground.
- Slide the clevis jaws of the roller below and above the towing hitch of the ride-on machine. Secure by sliding the hitch pin through the locating hole of the clevis jaws and ride-on machine, securing with the large B-pin.

LUBRICATE

Maintenance spray or multi-purpose grease can be applied to the drum spindles prior to long-term storage.

CLEANING

After each use thoroughly clean the roller and scraper bar with a stiff brush.

STORING

Before storing, ensure that the machine is clean and dry. Do not store anything above or near the machine, where anyone might stand on the machine to reach them. Keep the machine away from children and others not qualified to use it.

CHECK ALL NUTS, BOLTS AND FASTENING

Before each use check all fastenings are tight & secure.

APPEARANCE

If rust appears on metal components, sand lightly and coat with enamel paint.

NEVER EXCEED LOAD CAPACITY

To avoid damaging the roller, never exceed the rated capacity.

TRANSPORT

Secure the device against slipping. When shipping, use the original packaging if possible.

Manufacturer: Shanghaimuxinmuyeyouxiangongsi

Address: Shuangchenglu 803nong11hao1602A-1609shi, baoshanqu, shanghai
200000 CN.

EC REP: E-CrossStu GmbH.

Mainzer Landstr.69, 60329 Frankfurt am Main.

UK REP: YH CONSULTING LIMITED.

C/O YH Consulting Limited Office 147, Centurion House, London Road, Staines
-upon-Thames, Surrey, TW18 4AX

Imported to AUS: SIHAO PTY LTD.

1 ROKEVA STREETEASTWOOD NSW 2122 Australia

Imported to USA: Sanven Technology Ltd.

Suite 250, 9166 Anaheim Place, Rancho Cucamonga, CA 91730

VEVOR[®]

TOUGH TOOLS, HALF PRICE

Technical Support and E-Warranty Certificate

www.vevor.com/support