

VEVOR[®]

TOUGH TOOLS, HALF PRICE

Technical Support and E-Warranty Certificate www.vevor.com/support

PET DRYER

USER MANUAL

We continue to be committed to provide you tools with competitive price. "Save Half", "Half Price" or any other similar expressions used by us only represents an estimate of savings you might benefit from buying certain tools with us compared to the major top brands and does not necessarily mean to cover all categories of tools offered by us. You are kindly reminded to verify carefully when you are placing an order with us if you are actually saving half in comparison with the top major brands.

VEVOR[®]

TOUGH TOOLS, HALF PRICE

PET DRYER

STL-1903/STL-1908/STL-1909



NEED HELP? CONTACT US!

Have product questions? Need technical support? Please feel free to contact us:

Technical Support and E-Warranty Certificate
www.vevor.com/support

This is the original instruction, please read all manual instructions carefully before operating. VEVOR reserves a clear interpretation of our user manual. The appearance of the product shall be subject to the product you received. Please forgive us that we won't inform you again if there are any technology or software updates on our product.

IMPORTANT SAFEGUARDS



Before using, please read this manual and always comply with basic precautions when using it. Once the product is used, you acknowledge that you have

carefully read and accepted the following safety instructions.

Danger! Electric shock due to damage of appliance.

★Do not operate the appliance with a broken cord or plug or if the appliance malfunctions, or is dropped or damaged in anyway.

★Always unplug the unit when not in use or left unattended. Do not wrap the cord around the appliance.

★Never carry the unit by its power cord.

★Do not drop or insert any object into any opening.

★We do not recommend using the built-in heater during the summer months. The heated airflow may damage your pets hair and skin.

★If however, the airflow is inadvertently obstructed during use, the built-in thermal safety device will automatically cut out the appliance. This dryer will switch on again automatically after cooling down for a few minutes.

★Please be sure to keep the air intake at the rear of the unit clear of debris or blockage. Lack of proper airflow will damage the unit's motor and impact product's life.

★If there happens to be a fault with the motor, the power light will illuminate but no airflow will be produced. Immediately turn off the heater as continued use without airflow may result in a fire.

★When the pet dryer is used in a bathroom, unplug it after use since the proximity of water presents a hazard even when the hair dryer is switched off.

★For additional protection, the installation of a residual current device (RCD) having a rated residual operating current not exceeding 30mA is advisable in the electrical circuit supplying the bathroom. Ask your installer for advice. (NOTE: Mains sockets might not be permitted in average sized bathrooms according to local wiring regulations.)

★If the supply cord is damaged, it must be replaced by the manufacturer, its service agent or similarly qualified persons in order to avoid a hazard.



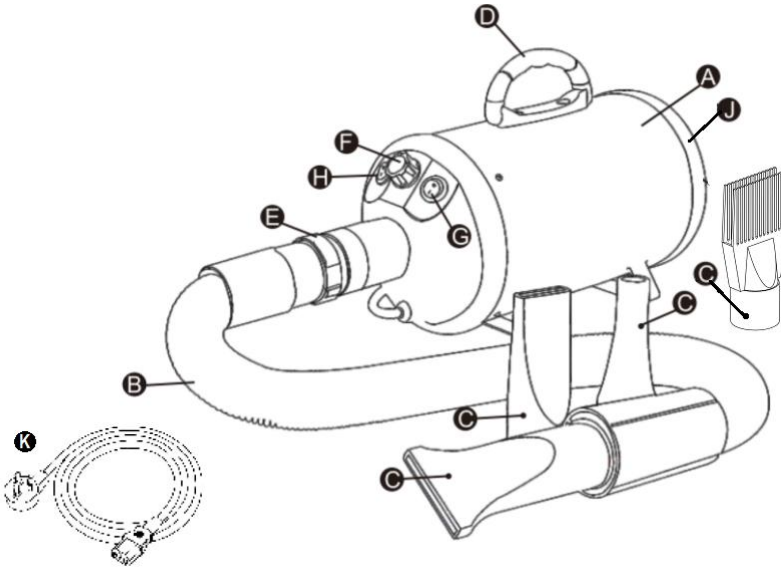
★ **WARNING:** Do not use this appliance near bathtubs, showers, basins or other vessels containing water.



★ **INDOOR USE ONLY,** This product is **HOUSHOLD USE ONLY.**

SAVE THESE INSTRUCTIONS

PARTS CHECKLIST



A - Dryer's body
C - Nozzles(4pcs)
E - Buckle for connector
G - Power switch
J - Filter storage

B - Flexible hose
D - Handle
F - Airflow controller
H - Heater switch
K - Power Cord

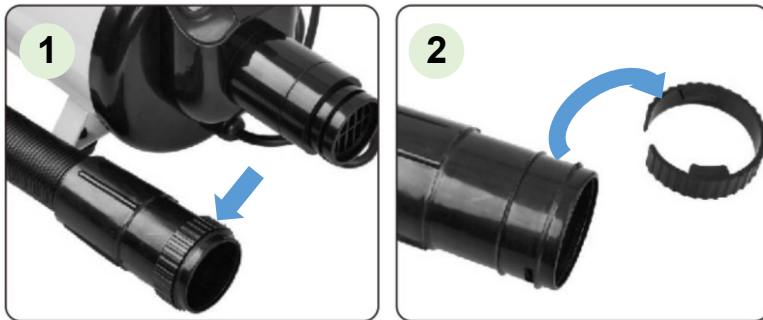
TECHNICAL DATA

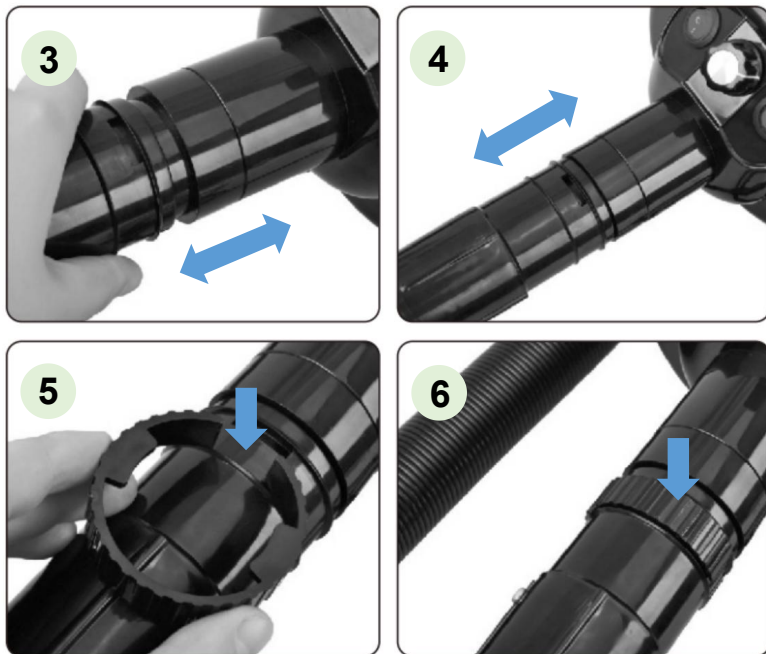
| Model | STL-1903 | STL-1909 | STL-1908 |
|---------------|-----------|-----------|------------|
| Power | 3.2HP | 3.2HP | 3.2HP |
| Voltage | AC120V | AC120V | AC220-240V |
| Frequency | 60Hz | 60Hz | 50/60Hz |
| Airflow rate | 70m/s | 70m/s | 70m/s |
| Noise range | 70db-80db | 70db-80db | 70db-80db |
| Heating range | 85-130°F | 85-130°F | 85-130°F |

OPERATION GUIDE

- A.Ensure that you are using anAC120V power source.
- B.Before turning on the unit,make sure that nothing is blocking the air intake at the rear of the unit.
- C.Place the unit on a flat surface .
- D.Install the hose according to the pictures provided below.
- E.Press the power switch,which will illuminate.
- F.Press the"Heat" switch and adjust accordingly. It is recommended to avoid heater in the summer.

INSTALL THE HOSE





FREQUENT QUESTIONS

- ①Q: Why is my dryer's airflow getting weaker?
 A: Please check your air intake and filter to see if the area is blocked.
- ②Q: I have a small dog and he is afraid of the dryer, what should I do?
 A: We recommend adjusting the airflow to a lower setting until he becomes used to it. Additionally, you can remove the nozzle and just let the air blow out of the hose.
- ③Q: How do I clean the filter?
 A: Simply unscrew the cover at the dryer back and remove the filter. Then flush out the filter carefully. DO NOT install the filter until it is completely dry.
- ④Q: Why is my dryer making a very high-pitched squeal?
 A: When this happens, we recommend turning on the heater and letting hot air flow from the unit for approximately 10 minutes.

CLEANING AND MAINTENANCE

1. Before cleaning the machine, please turn off the machine and unplug the power outlet.
2. When cleaning the internal space of the machine, you can remove the bottom

air outlet plate, open the bottom drainage hole, use a small amount of water to clean the bottom space of the machine, do not let the water flow into the back of the electronic parts area, after cleaning is complete, use a dry towel to dry, reinstallation can be used.

3. The back of hair strainer plates area, clean the collection of pet hair, you can use a wet towel to scrub.

4. The top of the machine display and the back of a large number of lines and electronic components, do not rinse with water to avoid damage.

CORRECT DISPOSAL



This product is subject to the provision of European Directive 2012/19/EC. The symbol showing a wheellie bin crossed through indicates that the product requires separate refuse collection in the European Union. This applies to the product and all accessories marked with this symbol. Products marked as such may not be discarded with normal domestic waste, but must be taken to a collection point for recycling electrical and electronic devices

FCC INFORMATION:

CAUTION: Changes or modifications not expressly approved by the party responsible for compliance could void the user's authority to operate the equipment!

This device complies with Part 15 of the FCC Rules. Operation is subject to the following two conditions:

- 1) This product may cause harmful interference.
- 2) This product must accept any interference received, including interference that may cause undesired operation.

WARNING: Changes or modifications to this product not expressly approved by the party responsible for compliance could void the user's authority to operate the product.

Note: This product has been tested and found to comply with the limits for a Class B digital device pursuant to Part 15 of the FCC Rules, These limits are designed to provide reasonable protection against harmful interference in a residential

installation.

This product generates, uses and can radiate radio frequency energy, and if not installed and used in accordance with the instructions, may cause harmful interference to radio communications. However, there is no guarantee that interference will not occur in a particular installation. If this product does cause harmful interference to radio or television reception, which can be determined by turning the product off and on, the user is encouraged to try to correct the interference by one or more of the following measures.

- Reorient or relocate the receiving antenna.
- Increase the distance between the product and receiver.
- Connect the product to an outlet on a circuit different from that to which the receiver is connected.
- Consult the dealer or an experienced radio/TV technician for assistance.

Sanven Technology Ltd.

Address: Baoshanqu Shuangchenglu 803long 11hao 1602A-1609shi Shanghai

Imported to USA: Sanven Technology Ltd. Suite 250, 9166 Anaheim Place,
Rancho Cucamonga, CA 91730

| | | |
|-----------|------------|---|
| EC | REP | SHUNSHUN GmbH Römeräcker 9 Z2021,76351 Linkenheim-Hochstetten, Germany |
|-----------|------------|---|

Made in China

VEVOR[®]

TOUGH TOOLS, HALF PRICE

Technical Support and E-Warranty Certificate

www.vevor.com/support

Made In China