

## Bench Drill Press USER MANUAL

MODEL: DP20013B

We continue to be committed to provide you tools with competitive price. "Save Half", "Half Price" or any other similar expressions used by us only represents an estimate of savings you might benefit from buying certain tools with us compared to the major top brands and does not necessarily mean to cover all categories of tools offered by us. You are kindly reminded to verify carefully when you are placing an order with us if you are actually saving half in comparison with the top major brands.

**Keep the handles dry, clean and free of oil and grease.**  
**Put the plug out of the socket and/or remove the battery when the tool is not in use before you make machine settings or change accessories, such as the saw blade, drill bit or cutter.** This safety measure prevents unintentional starting of the electric tool.  
**Before starting any electric tool, remove any adjusting wrenches and screwdrivers.** A tool or a wrench present in the rotating part of the machine may lead to injuries.  
**Prevent the machine from unintentional starting.** Before plugging and/or connecting the machine to battery, handling or carrying, make sure the electric tools are switched off. Having a finger on the switch when carrying the electric tool or when the machine is not plugged in may lead to injuries.  
**If you wish to work outdoors with an electric tool, only use extension cables which are approved for outdoor use and are marked accordingly.** Using an extension cable suitable for outdoor use reduces the risk of electric shock.  
**Be careful, pay attention to what you are doing and use common sense when working with electric tools.** Do not use electric tools when you are under the influence of drugs, alcohol or pharmaceuticals. A moment of inattention when using electric tools may lead to serious injuries.  
**Check the machine for any damage.** Before using the equipment again, the protective equipment must carefully be checked if safe and working as designed.  
**Check the moving parts for safe functioning.** If working smoothly and if no parts are damaged, to provide safe operation of the equipment, all parts must be installed properly and meet all conditions. Damaged protective equipment and parts must be professionally repaired or replaced by a recognized professional workshop, unless otherwise specified in the Operating Instructions.  
**Do not use electric tools with a defective switch.** An electric tool that cannot be switched on or off is dangerous and must be repaired.  
**Have your electric tool repaired by an electrician.** This electric tool complies with the relevant safety regulations. Repairs may only be carried out by an electrician using genuine spare parts; otherwise the user may suffer accidents.  
**Caution!**  
The machine must be secured to the floor using suitable screws since otherwise there is a risk that it will slip.  
**Inspect before each use.**  
• Proper function of the on and off button, incl. the emergency switch.

**Carry out a visual inspection before switching the appliance on.**  
• Check especially the safety equipment, electrical control elements, power lines and screw couplings for any damage and if they are tightened appropriately. If necessary, replace damaged parts before operation.  
• Ensure that the bench clamping lever is tightly secured before starting up the machine.  
• Ensure that the drill is safely secured in the clamping chuck.  
• REMOVE ADJUSTING KEYS AND WRENCHES. From habit of checking to see that keys and adjusting wrenches are removed from tool before turning it ON.  
**Risk of injury!**  
Keep body parts and clothes away from rotating parts of the device.  
Use protective equipment which fits you.  
Wear a helmet if you have long hair.  
Do not wear gloves when operating a drill.  
Do not attempt to drill into a material that does not have a flat surface unless you are using a suitable support.  
Never start the drilling machine with the drill pressed against the workpiece.  
Always use clamps, chucks or jaws or a vice to secure the workpiece to the bench.  
Set the drilling machine to a speed that is appropriate for the specific job.  
In the event of a blockage, switch off the machine immediately. Pull out the mains plug and remove the jammed workpiece.  
Chips and splinters must not be removed while the machine is running.  
**Mains Connection**  
• Operation is only allowed with a safety switch against stray current (RCD max. stray current of 30mA).  
Connect only to a single-phase AC current supply and only to the mains voltage specified on the rating plate. Must only be used from sockets with earth wire.  
Only plug in when machine is switched off.  
**Maintenance**  
• Unplug the machine before any work on it.  
Carry out a visual inspection before switching the appliance on.

**VEVOR®**  
**TOUGH TOOLS, HALF PRICE**

### Bench Drill Press

MODEL: DP20013B



(The picture is for reference only, please refer to the actual object)

**NEED HELP? CONTACT US!**

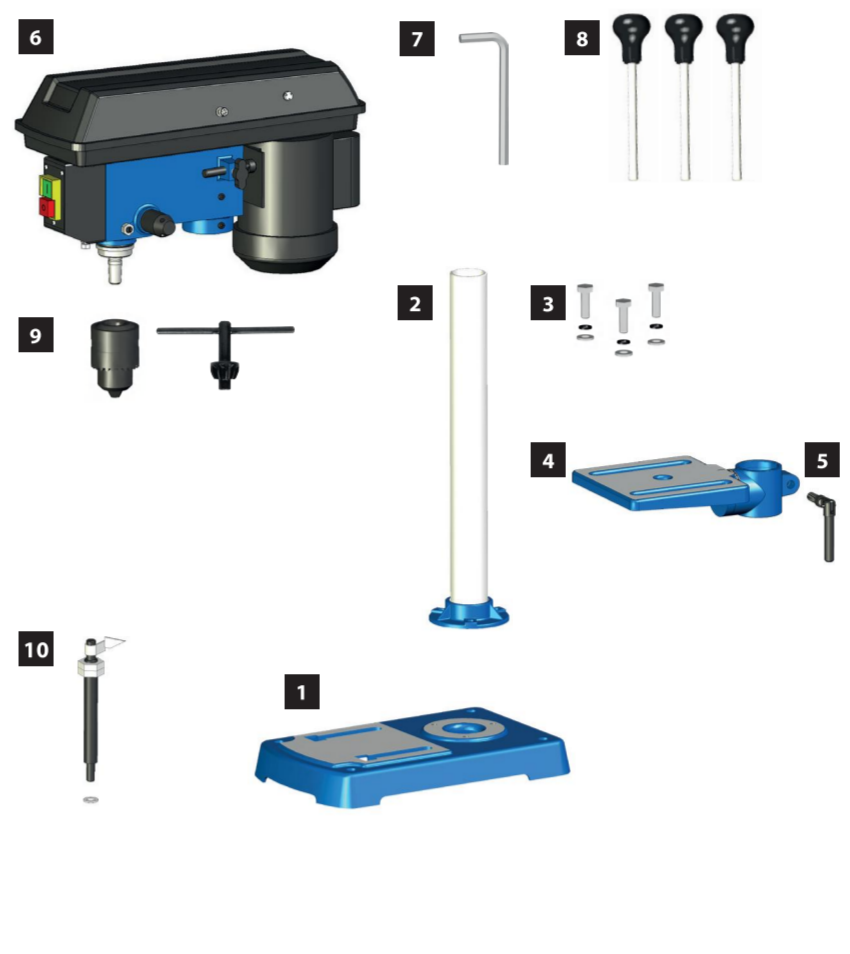
Have product questions? Need technical support? Please feel free to contact us:

**Technical Support and E-Warranty Certificate**  
www.vevor.com/support

This is the original instruction, please read all manual instructions carefully before operating. VEVOR reserves a clear interpretation of our user manual. The appearance of the product shall be subject to the product you received. Please forgive us that we won't inform you again if there are any technology or software updates on our product.

**LIBERUMFANG (DELIVERED ITEMS)**

1. Base (1)
2. Column assembly (1)
3. Bolt M8X20 (3)
4. Table (1)
5. Table lock knob(1)
6. Head / Motor assembly (1)
7. Wrench (2)
8. Feed Handles(3)
9. Chuck (1)
10. Depth rule assembly(1)



**ENGLISH**

The appliance must not be used if damaged or safety equipment to defective. Replace any worn out and damaged parts.  
Caution! If the power cord of the appliance gets damaged, it must be replaced by the manufacturer or its customer service or a similarly qualified person to avoid danger.  
Repairs and works specified in these instructions may only be performed by qualified authorized staff.  
Use only original accessories and original spare parts.  
Keep the device, in particular the air vents, clean at all times. Never spray water on the device body!  
Do not clean the plastics with solvents, flammable or toxic fluids. For cleaning, use a damp cloth only.  
Apply environment friendly oil to all moving parts.  
Only a regularly maintained and treated appliance can serve as a satisfactory aid. Inefficient maintenance and care can lead to unforeseen accidents and injuries.

The guarantee solely covers inadequacies caused by material defects or manufacturing defects. Original payment voucher with the sales date needs to be submitted for any claim in the guarantee period.  
The guarantee does not cover any unauthorised use such as appliance overloading, use of explosive, damage as a result of any unauthorised interference caused by foreign items. Failing to follow the operating and assembly instructions and common wear are also not included in the guarantee.  
**Important information for the customer**  
Please be sure to know that returning the product in or after the warranty period must be made in the original packaging.

**Inspection and maintenance plan**

Regular servicing period	Before any start-up	After every start-up	If necessary
Check the safety devices		✓	
Inspect and, if necessary, tighten the fan belts			✓
Lubricate the columns and the bench with a thin layer of oil		✓	
Clean the tapered mandrel			✓
Clean the machine of drilling dust or metal shavings		✓	

**ENGLISH**

**WARNING!** Read the operating instructions to reduce the risk of injury.  
• Unplug the machine before any work on it.  
• Wear eye protective goggles!  
• Wear ear protection!  
• Keep dry at all times. Never expose tool to rain.  
• Always keep children and unauthorised persons out of reach of the appliance.  
• Forbidden operation for persons with chiral feet!  
• Forbidden operation for persons with long hair!  
• Do not operate the power tool when wearing a tie.  
• Any damaged or disposed electric or electronic devices must be delivered to appropriate collection centres.  
• CE marking  
• Do not stare into beam.

**Protect yourself from electric shock.**  
Avoid body contact with earthed objects, for example pipes, radiators, electric stoves and cooling panels. There is an increased risk of electric shock if your body is earthed.  
**Keep children and bystanders away while operating a power tool.** Do not touch the electric tool or the cable. When not concentrated, you may lose control over the machine.  
**Ensure that you store electric tools in a safe place.** Tools which are not in use must be stored in a dry place as high as possible out of the reach of children or in an inaccessible place.  
**Do not overload the machine.** Use appropriate electric tools for your work. Working with appropriate electric tools is better and safer than when the specified power range. They will work better and more safely in the specified power range.  
**Do not use the electric tool for purposes for which it is not designed.** For example, do not use a manual circular saw for cutting branches or logs.  
Dress properly. Do not wear loose clothing or jewelry. Keep your hair, clothing and gloves away from moving parts. We recommend that you wear non-slip shoes when working outdoors. Wear a helmet if you have long hair.  
**Use protective equipment which fits you.** Wear safety goggles and ear protection at all times. A dust mask or respirator is also required. Wear tight fitting gloves at all times when handling sharp blades and saw blades.  
**If dust exhausters and catchers are to be installed, make sure they are fitted and used properly.** Using a dust exhauster may reduce the exposure to dust.  
**Do not use the cable in conflict with its designation.** In any case, do not pull on the cable or pull the plug out of socket. Protect the cable against high temperatures, oil, sharp edges or moving parts of the machine. Damaged or entangled cables increase the risk of electric shock.  
**Secure the workpiece.** Use clamping equipment or a vice to secure the workpiece. This will be safer than holding it in your hand.  
**Avoid any abnormal body posture.** Provide good stability and keep balance at all times. By electric tools are better controlled in unexpected situations.  
**Treat electric tools carefully.**  
Keep the cutting tools sharp and clean. Regularly treated cutting tools with their edges get dull less often and are easier to guide.  
Follow the instructions for lubricating and changing tools.  
**Check the connection cable on the electric tool at regular intervals and have it replaced by an expert if it is damaged.**  
**Check the extension cable at regular intervals and replace them if they are damaged.**

**16**

**Technical Data**

Mains voltage	AC230-240V
Mains frequency	50 Hz
Safety class	I
Motor power	S1 300W, S2 15min 500 W
Spindle stroke	50 mm
Spindle speed	500-2500 min <sup>-1</sup>
Number of steps	5
Drill chuck range	1.5-13 mm
Drill chuck cone	816
max. drilling capacity in steel	13 mm
Table size WxD	164 x 162 mm
Base plate WxD	190 x 288 mm
Diameter of columns	46 mm
Length	427 mm
Width	250 mm
Height	577 mm

**Noise details**  
Sound pressure level L<sub>p</sub> 67,8 dB(A)  
Sound power level L<sub>w</sub> 77,9 dB(A)  
Wear ear protection!

The numerical values given are emission levels and not necessarily actual working levels. Although there is a correlation between the emission levels and the acceptable exposure levels, they cannot be reliably used to determine whether or not any additional safety measures are necessary. The characteristics of the work space, other sources of noise, as the number of machines and other processes running in the vicinity and so on, are all factors that can influence the actual exposure levels of the employees. Moreover, the acceptable exposure levels can vary from country to country. This information should enable the machine's operator to carry out a better assessment of the risks and hazards.

The operator is responsible for accidents or risks to third parties.  
Persons over 18 years of age can only work on the appliance. An exception includes youngsters trained in order to reach knowledge under supervision of the teacher during occupational education.  
**Specified Conditions Of Use**  
Bench drilling machine for light and medium drilling work in wood, metals and plastics.  
The machine may only be used in a technically perfect condition and taking into account all safety information.  
Do not use this product in any other way as stated for normal use. Not observing general regulations in force and instructions from this manual does not make the manufacturer liable for damages.  
It is strictly prohibited to disassemble, modify and purposely remove the protective equipment on the unit and fit other protective equipment instead.  
Even when the device is used properly and all safety regulations are complied with, there still may be some residual risks:  
• noise emissions  
• dust emissions  
• vibrations to hand and arms  
• Danger of burns  
• Tool and workpiece heat up during operation.  
• Risk of injury  
• Sharp tools and workpiece edges

**Emergency procedure**  
Conduct a first-aid procedure adequate to the injury and summon qualified medical attendance as quickly as possible. Protect the injured person from further harm and calm them down. If you seek help, state the following pieces of information: 1. Accident site, 2. Accident type, 3. Number of injured persons, 4. Injury types!

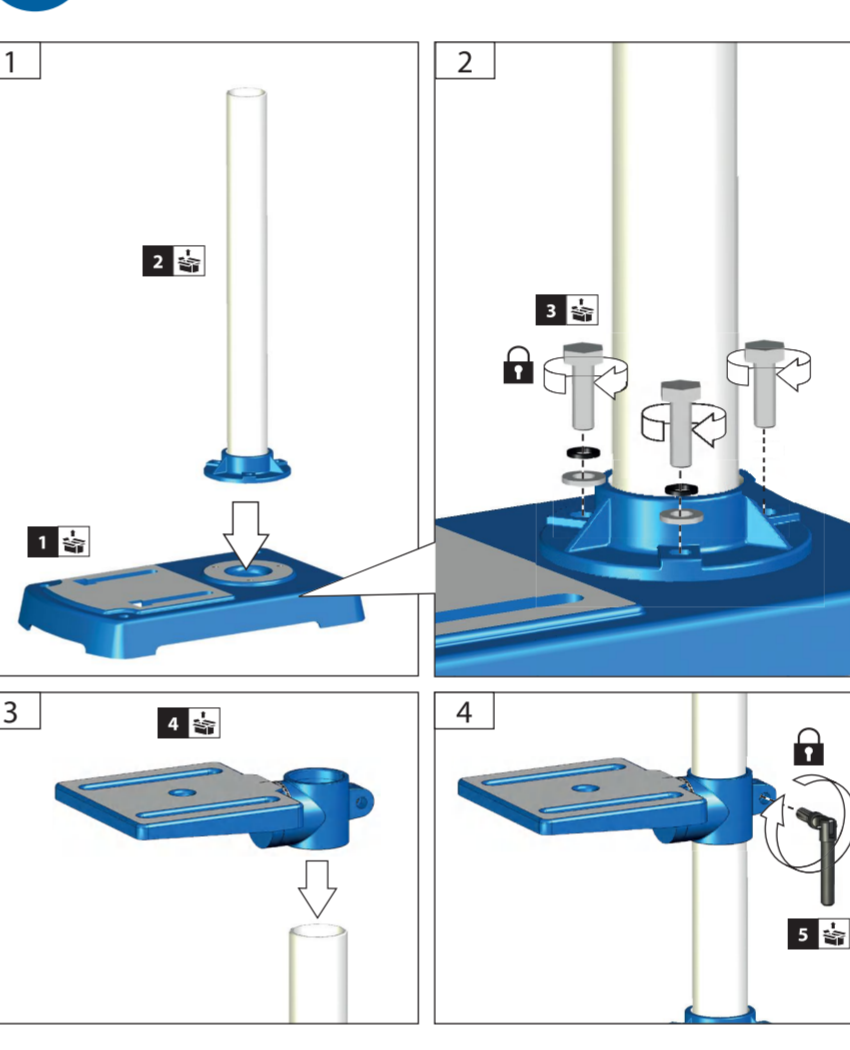
**Symbols**

⚠	WARNING/CAUTION!
⚠	Warning against cutting injury
⚠	Warning against dangerous electric voltage
⚠	Warning against thrown-off items

**START 3 STOP**

- 1-5 Assembly
- 6-9 Starting-up the machine
- 10-13 Operation
- 14 Maintenance

- 1
- 2
- 3
- 4



- 1
- 2
- 3
- 4



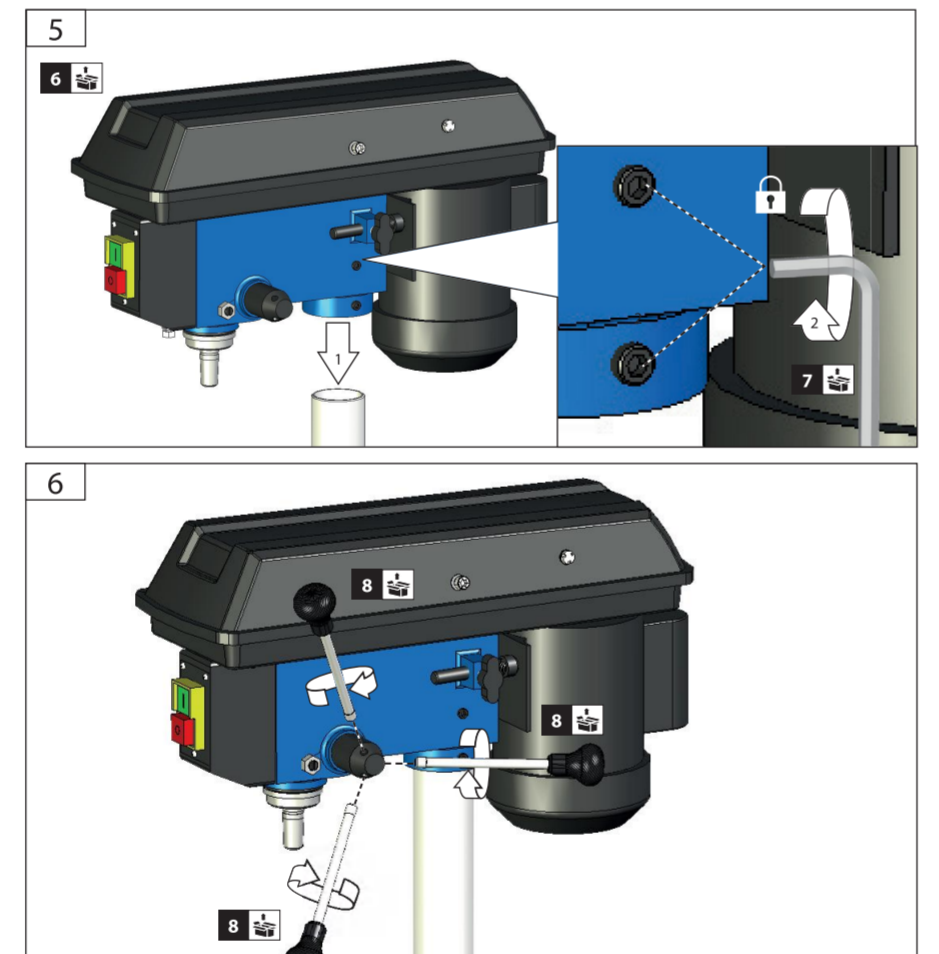
**14**

**START 3 STOP**

- 1 LED LIGHT ON/OFF



- 3
- 4
- 5
- 6

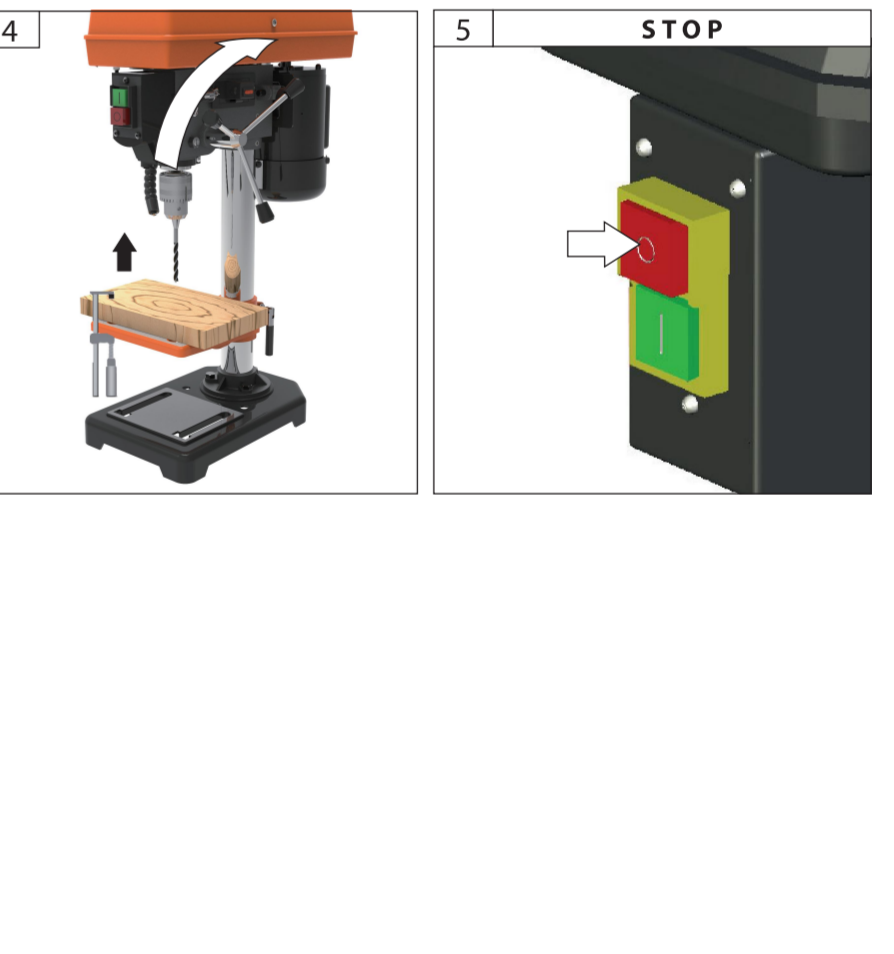


- 9
- 10



**START 3 STOP**

- 4
- 5 STOP



**12**

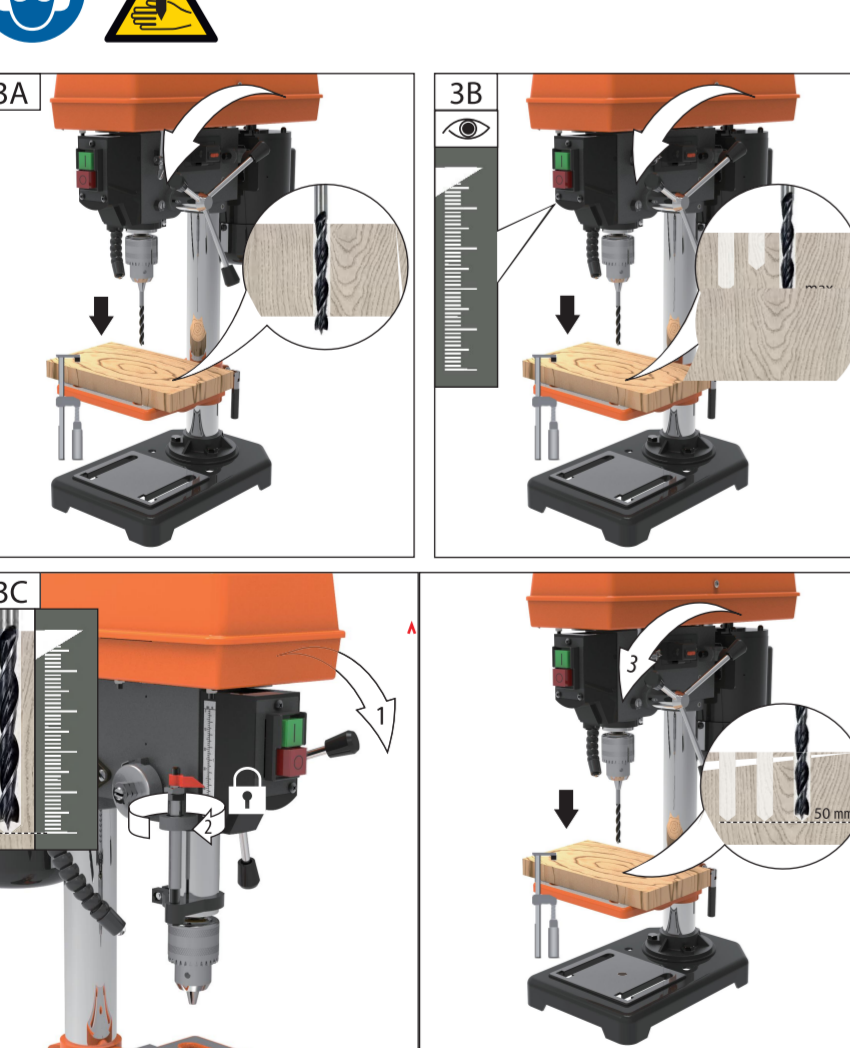
**START 3 STOP**

⚠

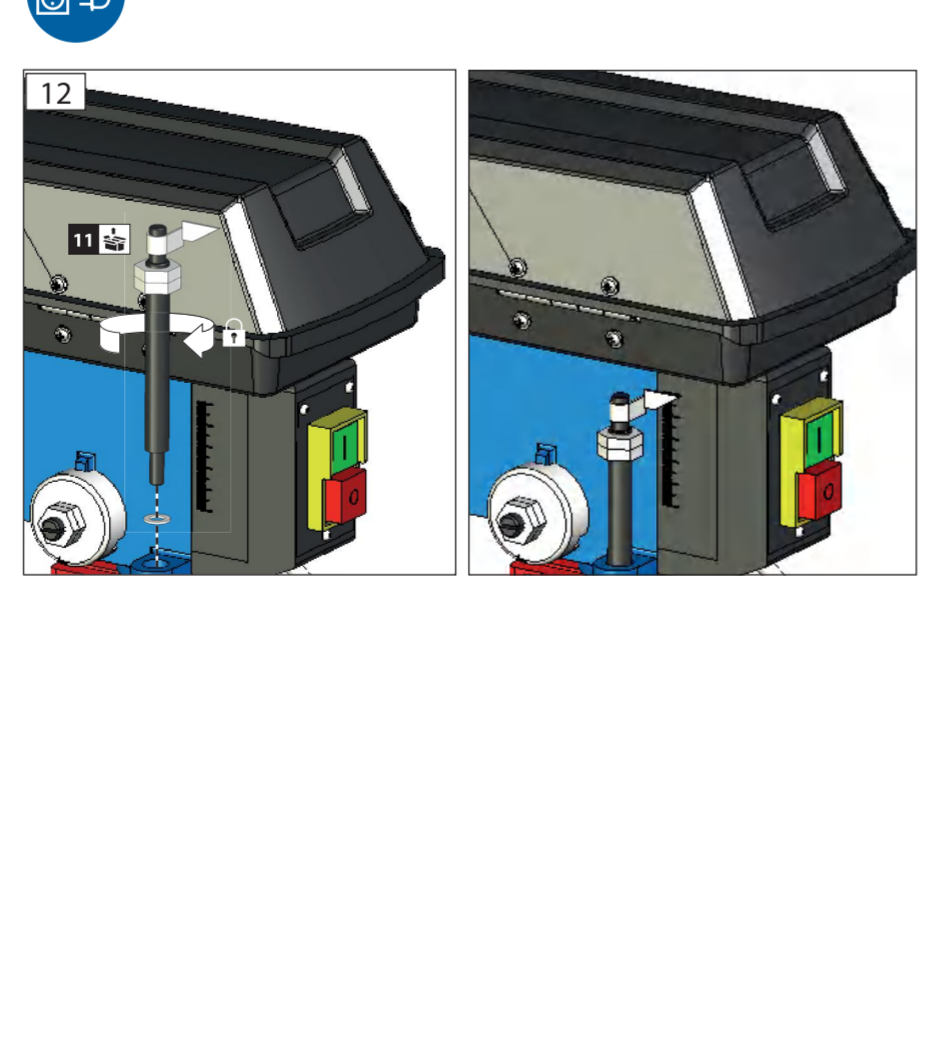
3A

3B

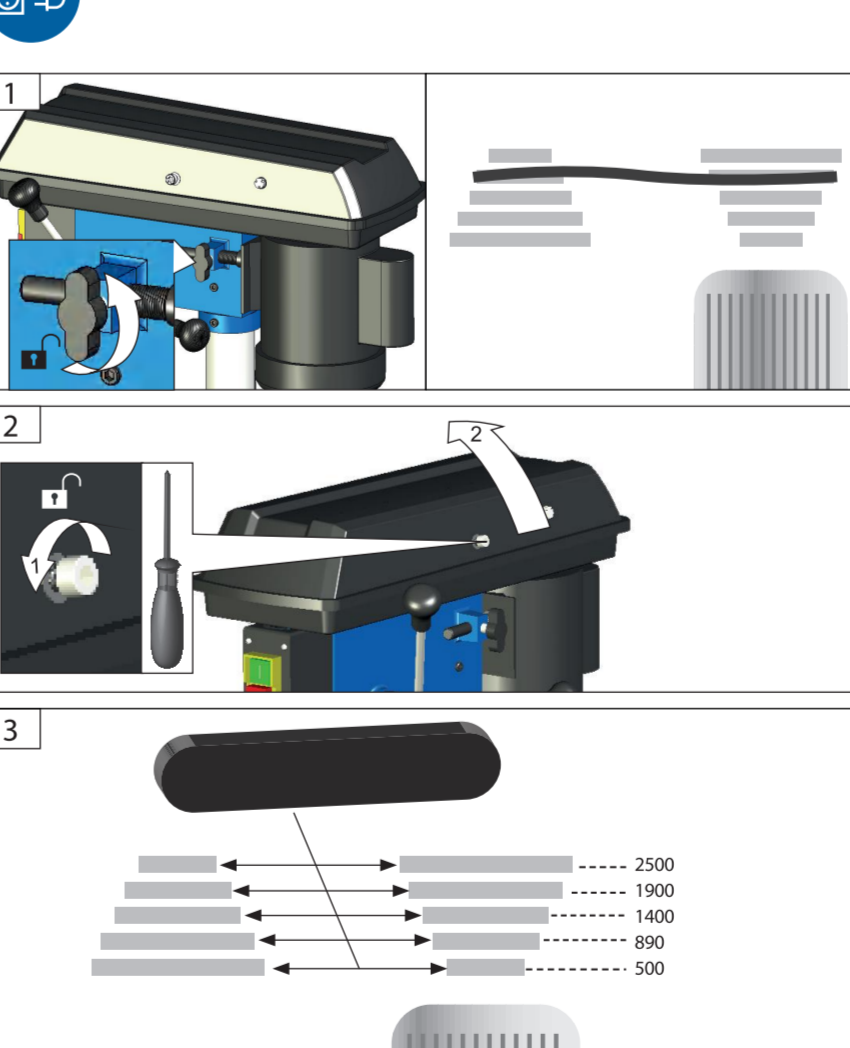
3C



- 5
- 6
- 12



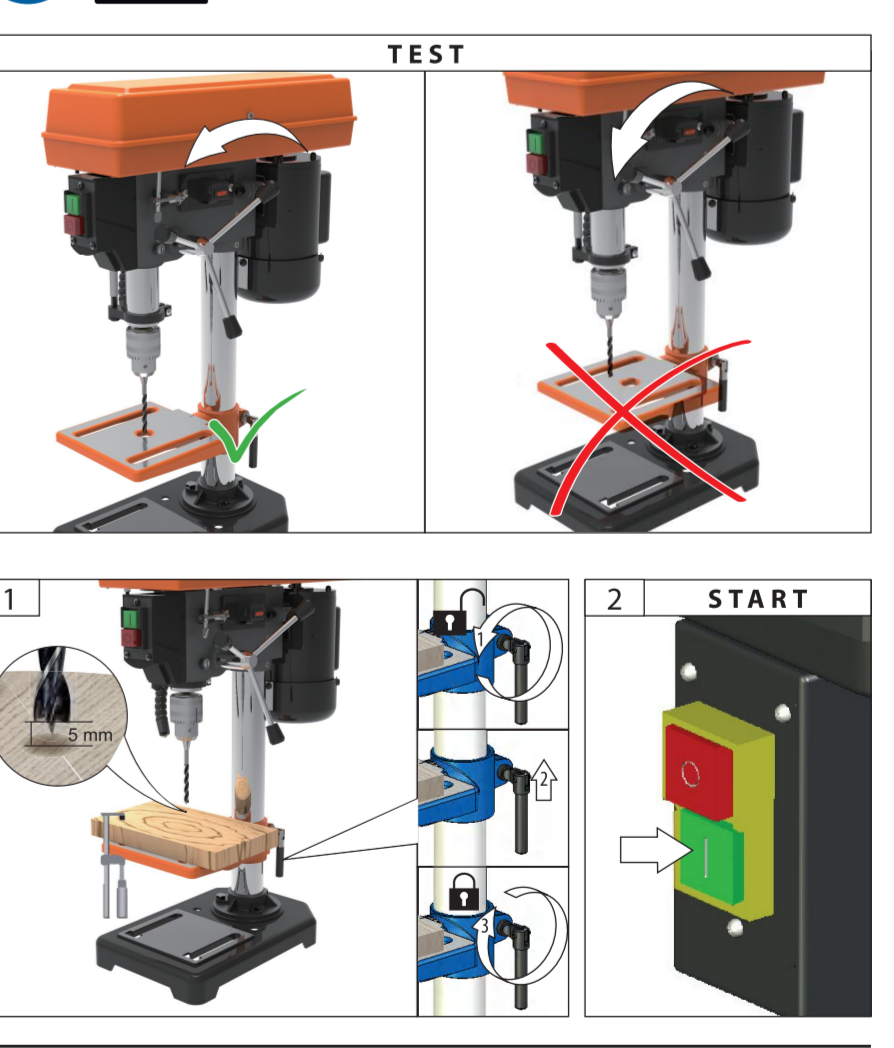
- 1
- 2
- 3



**TEST**

1

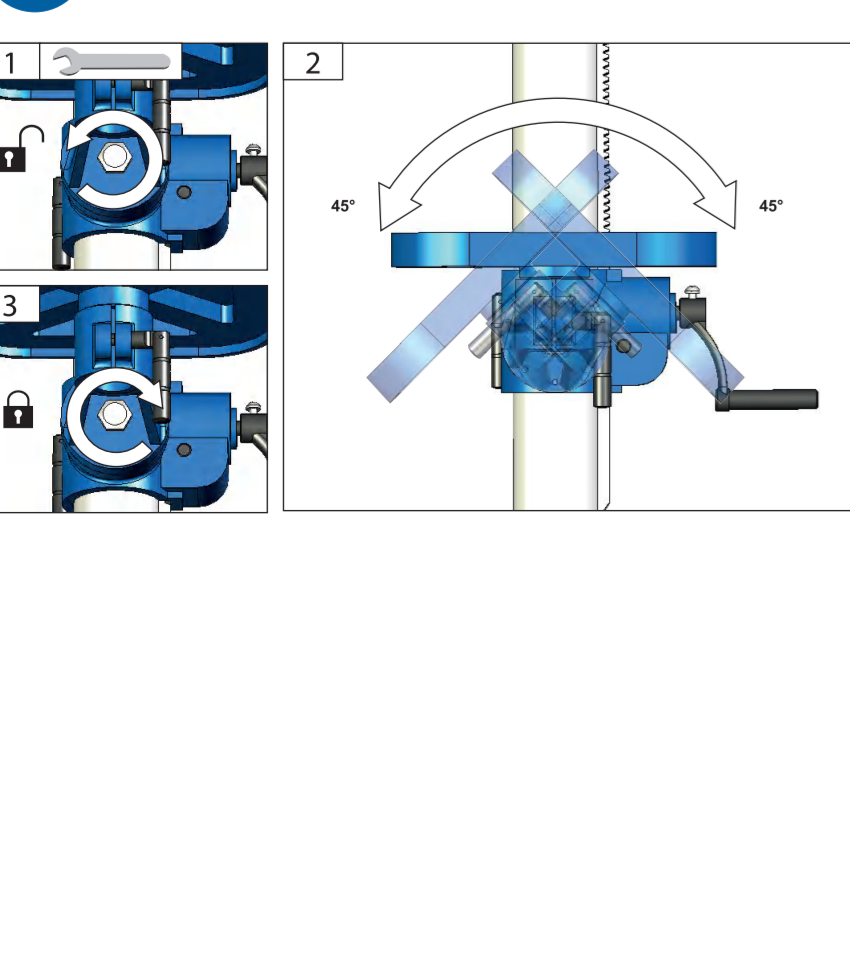
2 START



**10**

**START 3 STOP**

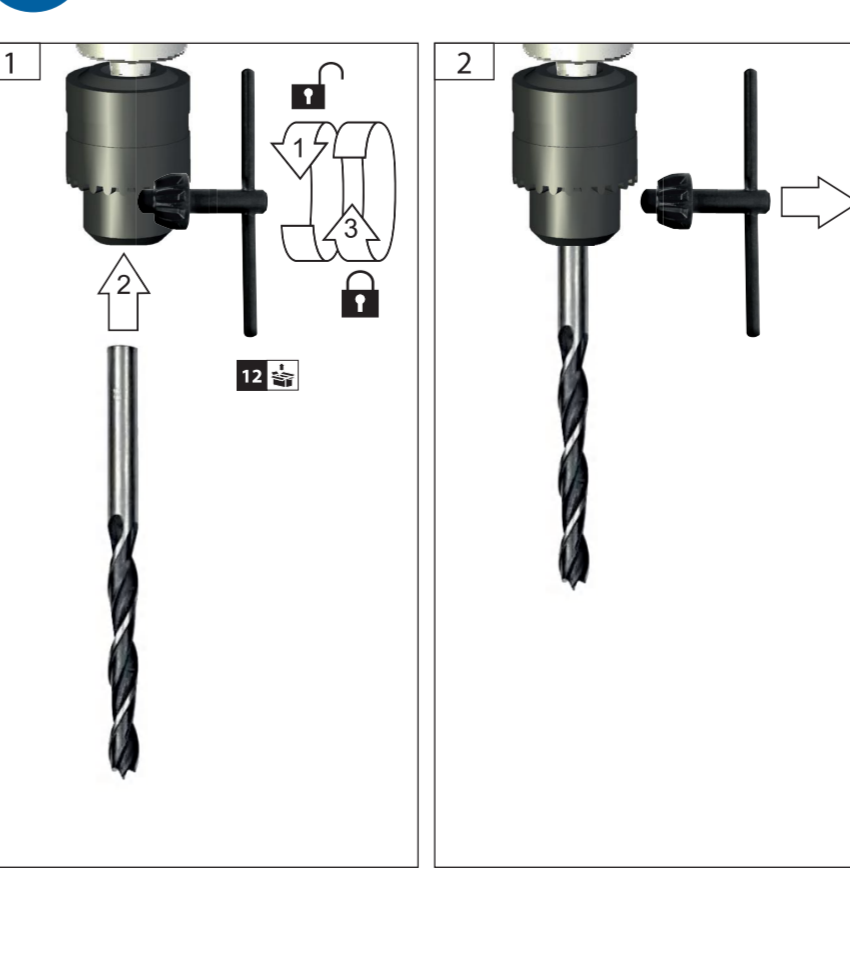
- 1
- 2
- 3



- 4
- 5



- 1
- 2



**START 3 STOP**

1

2

vise, bolt, washer and nut are not included

