

# **VEVOR<sup>®</sup>**

## **TOUGH TOOLS, HALF PRICE**

Technical Support and E-Warranty Certificate [www.vevor.com/support](http://www.vevor.com/support)

### **Flip Pet Door USER MANUAL**

We continue to be committed to provide you tools with competitive price.

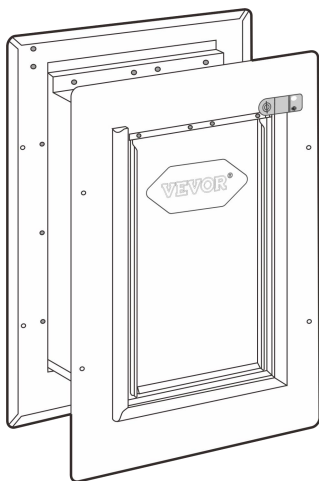
"Save Half", "Half Price" or any other similar expressions used by us only represents an estimate of savings you might benefit from buying certain tools with us compared to the major top brands and does not necessarily mean to cover all categories of tools offered by us. You are kindly reminded to verify carefully when you are placing an order with us if you are actually saving half in comparison with the top major brands.



# VEVOR<sup>®</sup>

TOUGH TOOLS, HALF PRICE

## Flip Pet Door



**CWM02-S / CWM02-M / CWM02-L**

### **NEED HELP? CONTACT US!**

Have product questions? Need technical support? Please feel free to contact us: Technical Support and E-Warranty Certificate [www.vevor.com/support](http://www.vevor.com/support)

This is the original instruction, please read all manual instructions carefully before operating. VEVOR reserves a clear interpretation of our user manual. The appearance of the product shall be subject to the product you received. Please forgive us that we won't inform you again if there are any technology or software updates on our product.

# Important Safety Information



The warning sign depicted serves to alert you about possible dangers that may cause personal injuries. Adhere to all subsequent safety instructions indicated by this symbol to prevent any potential harm or fatal consequences.

**WARNING** indicates a hazardous situation which, if not avoided, could result in death or serious injury.

**CAUTION** used with the safety alert symbol, indicates a hazardous situation which, if not avoided, could result in minor or moderate injury.

**NOTICE** is used to address safe use practices not related to personal injury.

## **⚠ WARNING**

When there are children in the home, it's crucial to integrate the pet door into your child safety measures. The risk lies in a child potentially misusing the pet door and gaining access to hazardous areas beyond it. Parents or homeowners with swimming pools must ensure constant supervision of the pet entrance and implement sufficient barriers around the pool. Should a novel danger arise within or outside the home, reachable via the pet door, remember that the included closing panel or lock, if available, is designed primarily for aesthetics and energy conservation, not as a security feature. VEVOR will not be held responsible for any unintended usage, and by purchasing this product, you accept full accountability for supervising the access it permits.

Power tools pose a high risk of severe injuries; adherence to all safety guidelines is mandatory. Always don appropriate safety gear.

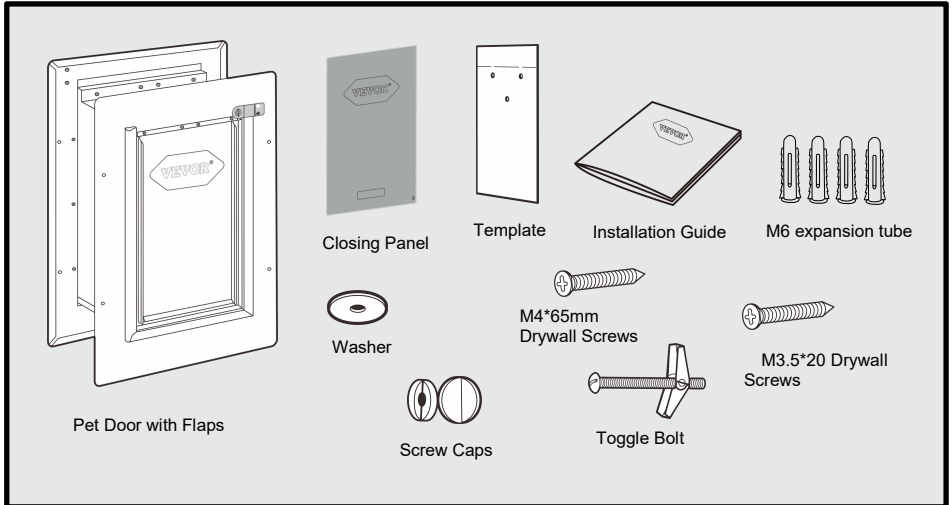
## **⚠ CAUTION**

Before installation, users must acquaint themselves with relevant building codes impacting the pet door's installation. Collaborate with a licensed contractor to assess the door's fitness for the specific installation—note that this pet door isn't fire-resistant. Both owner and contractor should carefully evaluate any existing or potential hazards on either side of the pet door, plus those arising from property modifications and their implications on the door's presence, proper use, and potential misuse.

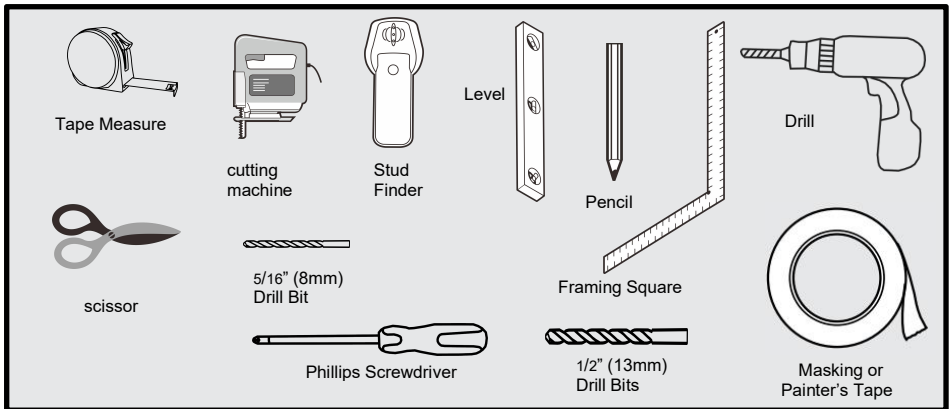
## **NOTICE**

Retain these guidelines alongside your vital documents, and ensure they are conveyed to the prospective owner of the property. Inspect the intended location for the pet door for any electrical or plumbing installations that might interfere. Verify that the support fits securely, neither excessively lengthy nor unduly brief, as either condition could inflict harm on the wall. If fastening screws into vinyl siding, you might need to bore a pilot hole slightly wider than the screw heads through the siding. This enables the screws to anchor flush against the plywood without deforming the vinyl siding.

# Components



# Tools Needed



# Key Definitions

**Outer Frame Size:** Overall pet door dimensions

**Cutting Wall Size:** Opening cut in homeowner's wall for proper fit and pet door installation

**Replacement Flap Size:** Overall flap size when removed from pet door

**Flap Opening Size:** Usable flap space for pet to enter and exit through the pet door

**Interior Frame:** Pet door frame on the inside of home

**Exterior Frame:** Pet door frame on the outside of home

# Model and Parameters

## CWM02-S:

Flap Opening Size: 5 1/4"W × 8 1/8"H (133×206mm)

Cutting Wall Size: 7 1/4"W × 10 3/5"H(185×270mm )

## CWM02-M:

Flap Opening Size: 8 1/4"W × 12 1/4"H (210×311mm)

Cutting Wall Size: 10 1/5"W × 14 3/4 "H(260×375mm)

## CWM02-L:

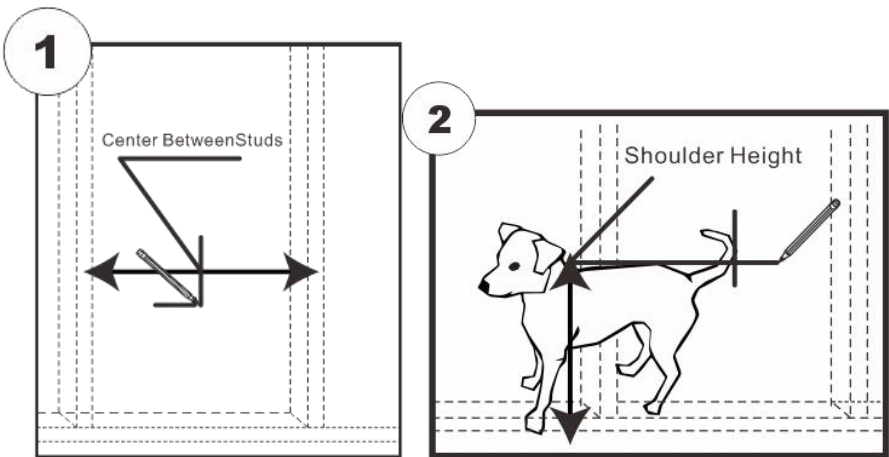
Flap Opening Size: 10 1/4"W × 16 1/4"H (260×413mm)

Cutting Wall Size: 12 1/5"W × 18 3/4 "H(310×475mm)

# Installing Your Pet Door For Wall

## Measure

1. Locate the site for the Pet Door for Wall . Locate the studs In the proposed area. Locate the center between the two Studs Using a pencil, draw a 5"(12.7 cm) vertical line.
- 2.Mark the shoulder height of your pet on the vertical line. Draw a horizontal line through your mark.

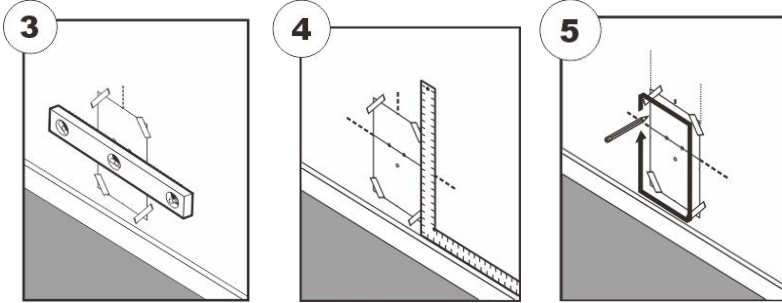


## NOTICE

Check for electrical and plumbing fixtures that could be in the wall where you wish to place the pet door.

3. Place the template against the wall. Align the lines on the Template with the lines on the wall. Tape in place.

4. Check that the template is square. The vertical lines of Both sides need to be extended up.



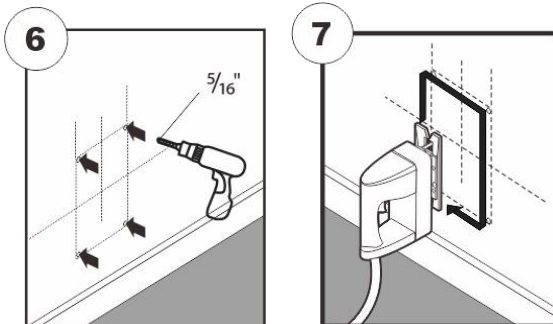
5. Carefully trace the template with a pencil. Remove the template from the wall. Take a moment to review the hole location to ensure that the template is level and that this is the best possible location for the pet door.

## Cut Interior Wall

6. Drill out the four corners of the rectangular hole with a  $5/16$ " (8 mm) drill bit.  
**Useful Tip :** Use both hands to hold drill steady and straight at a  $90^\circ$  angle.

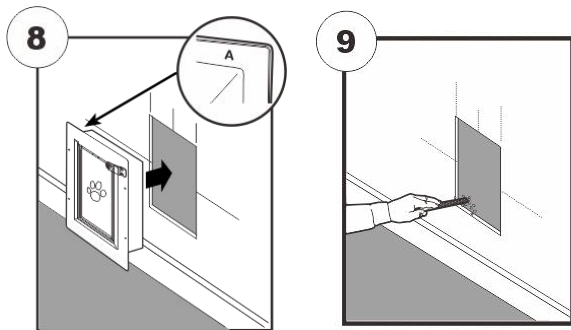
7. Carefully cut the hole out using a jigsaw or other appropriate cutting device. Cut on line.

**Useful Tip :** When cutting use both hands to hold the saw slow, steady and straight at a  $90^\circ$  angle.



**8. Fit Check:** Using the A side of the pet door, check the fit. Do not force fit if it is tight.

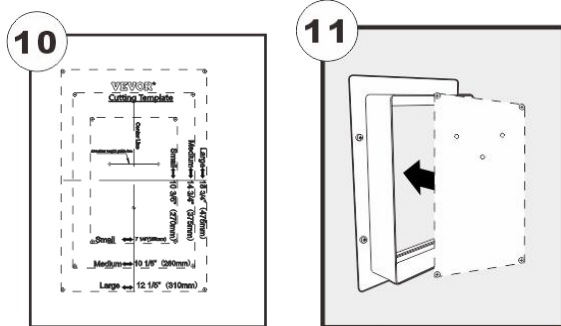
**9.** If the hole is too small, simply remove the pet door and re-cut or file the hole slightly to enlarge. Do not cut more than 1/8" (3.2 mm) from your previous cut. Once the Pet door properly goes into the hole, adjust to ensure the Unit is square.



## Cut Exterior

**10.** Remove the pet door from the wall. Fold up the Center Locator.

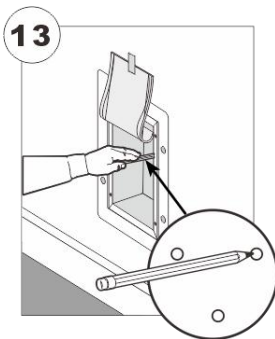
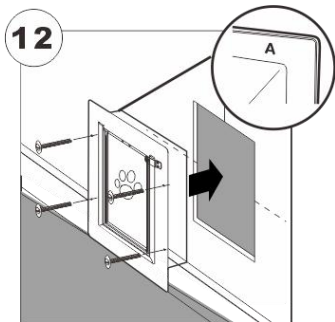
**11.** Slide the folded piece into the back of A side as shown.



**12.** Place A side of pet door back into wall and use the drywall screws to hold unit in place temporarily.

**13.** Lift the flap and push the Center Locator until it is touching the outside wall. Make sure all the folded flaps are resting flush on the inside of tunnel and that you have not completely pushed Center Locator out of pet door. Mark the holes on the Center Locator.



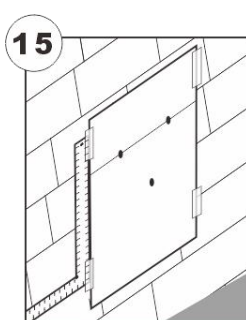
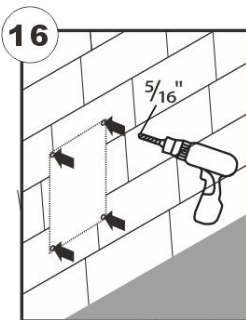
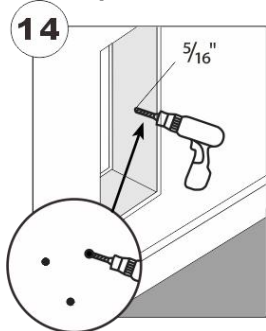


**14.** Remove the pet door from the inside wall. Drill out the marked holes with your 5/16" (8mm) drill bit. Be careful to keep these holes as straight as possible.

**15.** You are now ready to work from the outside wall. Line up the three holes on the template with the three holes that you just drilled. Check for square and tape in position.

**16.** Drill out the four corners of the rectangular hole with a 5/16" (8 mm) drill bit.

**Useful Tip:** Use both hands to hold drill steady and straight at a 90° angle.

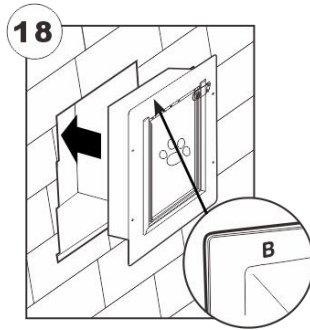
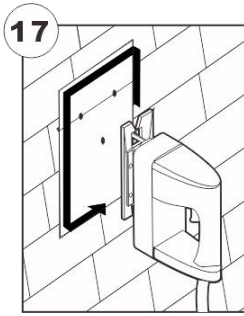


**17.** Carefully cut the hole out using a jigsaw or other appropriate Cutting device. Cut on line.

**Useful Tip:** When cutting use both hands to hold the saw slow, steady and straight at a 90° angle.

**Useful Tip :** If you are going through vinyl siding it is best to carefully score and cut the siding before cutting through plywood.

**18. Fit Check:** Using the B side of the pet door, check the fit. Do not force fit if it is tight. If the hole is too small, simply remove The pet door and re-cut or file the hole slightly to enlarge. Do not cut more than 1/8" (3.2 mm) from your previous cut. Once the pet door properly goes into the hole, adjust to ensure the unit is square.

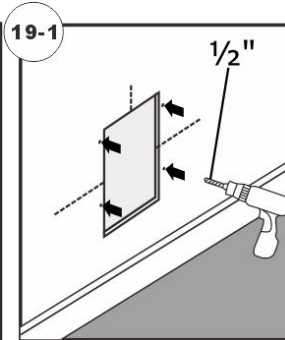
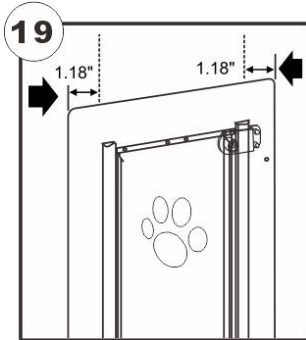


## Install and Attach Interior

**19.** Using the holes left by the drywall screws on the A side of pet door as pilot holes, drill a 1/2" (13 mm) hole for the toggle bolts.

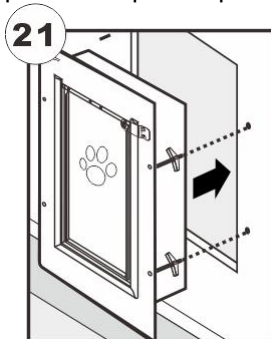
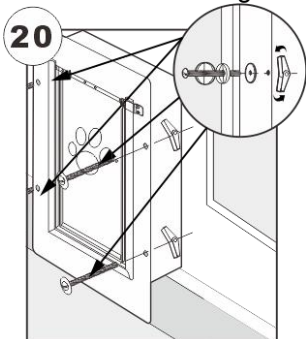
### NOTICE

There must be a position 1.18" (30mm) on both sides.



**20.** Install the toggle bolts and screw caps into the A side of the pet Door as shown.

**21.** Place the A side of the pet door back into the cut hole and tighten the bolts. Be careful not to over tighten. Snap screw caps into place.



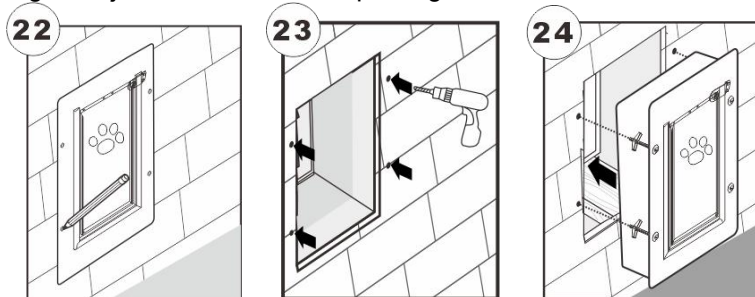
**Useful Tip :** You may need to start the toggle bolt into the hole. Be careful not to overtighten. Sometimes you need to hold the screw out so the toggle is locked while you tighten the screw until the toggle is tight enough that it will hold itself in place while you finish tightening.

## Install and Attach Exterior

**22.** You are now ready to work from the outside wall. With B side in position, mark location of 4 toggle bolt holes. Remove B side Of the pet door.

**23.** Drill marked locations with ½"(13 mm) drill bit.

**24.** Install the toggle bolts and screw caps into the B side. Slide the B side of the Pet Door into the A side that is already installed on the inside. The unit will slide together just like it was in the package.



**Fit Check:** Inspect the unit for a snug fit and any gaps that could cause a draft or water penetration. Either tighten the fit or use closed cell foam and/or silicone caulk in these areas.

**Useful Tip :** If installing in a vinyl siding application, you may want to place closed cell foam and/or silicone caulk between the pet door flange and the siding.

## Train Your Pet

**25.** Bring your pet to the pet door, Temporarily tape both flaps up and try to talk your pet into going through. If your pet will not go through the door do not force him through the door, simply wait for your pet to go through on his own.



**Useful Tip :** Sometimes it helps for you to be on one side of the door and your pet on the other. You may try persuading your pet through the door using a small piece of food or a treat.

## You May Need

Use the Pet Door Installation and Weather Proofing Kit helps to insulate and weatherproof the pet door.

This kit not inside the package, you need to buy it separately.

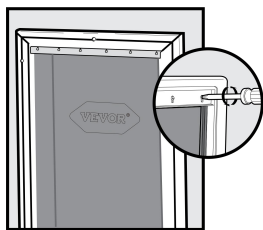
Search Pet Door Installation and Weather Proofing Kit on Amazon then you can find it.



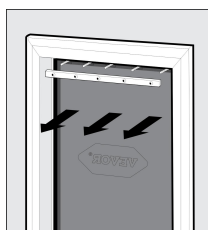
## Replacement Flaps

### Replace & Adjust

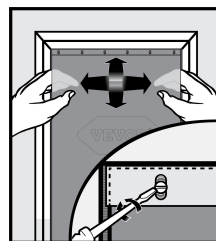
During extreme changes in weather, vinyl flaps can shrink during cold months and stretch in warmer months. Easily replace or adjust to ensure a snug fit during seasonal changes.



To Replace: Remove screws from the interior frame of pet door.



Remove bar and flap.



Replace new vinyl flap and position horizontally and vertically to fit into door frame. Replace existing bar and tighten screws in place.

To Adjust: Slightly loosen screws from interior frame of pet door.



Slightly move bar away from flap.



Adjust flap horizontally and/or vertically to fit into door frame. Push bar towards flap and tighten screws in place.

## **Terms of Use and Limitation of Liability**

1. Acceptance of Terms Usage of this product is conditional upon your unaltered acceptance of the terms, conditions, and notices detailed herein. Engaging with the product signifies your agreement to all such provisions.

2. Intended Usage The product has been tailored for pet training purposes. It is essential to consider your pet's unique disposition, as it may not be compatible with this system. Should you have doubts about its suitability for your pet, seek advice from a veterinarian or a certified animal behaviorist. Adequate usage encompasses studying the comprehensive Operating Guide accompanying your product and heeding all specific Warnings included.

3. Prohibited Applications The design of this product confines its application to pets exclusively. It is not purposed to cause harm, injury, or agitation. Misapplication of the product in contradiction to its intended function could lead to breaches of federal, state, or municipal regulations.

4. Liability Exclusion Vevor shall not be held accountable for any direct, indirect, punitive, incidental, special, or consequential harms, or any damages of any kind arising from or in connection with the proper or improper use of this Product. The purchaser accepts full responsibility and liability stemming from the utilization of this Product.

5. Amendments to Terms and Conditions Vevor Corporation retains the authority to amend the terms, conditions, and notices governing the provision of this Product at its discretion.

Manufacturer: Shanghaimuxinmuyeyouxiangongsi

Address: Shuangchenglu 803nong11hao1602A-1609shi, baoshanqu, shanghai 200000 CN.

EC REP: E-CrossStu GmbH.

Mainzer Landstr.69, 60329 Frankfurt am Main.

UK REP: YH CONSULTING LIMITED.

C/O YH Consulting Limited Office 147, Centurion House, London Road, Staines-upon-Thames, Surrey, TW18 4AX

Imported to AUS: SIHAO PTY LTD.

1 ROKEVA STREETEASTWOOD NSW 2122 Australia

Imported to USA: Sanven Technology Ltd.

Suite 250, 9166 Anaheim Place, Rancho Cucamonga, CA 91730





**VEVOR<sup>®</sup>**

**TOUGH TOOLS, HALF PRICE**

**Technical Support and E-Warranty Certificate**  
**[www.vevor.com/support](http://www.vevor.com/support)**