

VEVOR[®]

TOUGH TOOLS, HALF PRICE

Technical Support and E-Warranty Certificate www.vevor.com/support

BARN DOOR USER MANUAL

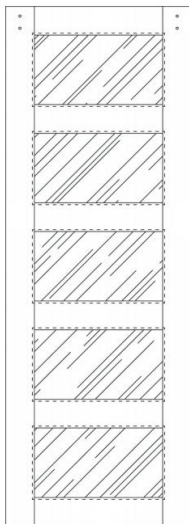
We continue to be committed to provide you tools with competitive price. "Save Half", "Half Price" or any other similar expressions used by us only represents an estimate of savings you might benefit from buying certain tools with us compared to the major top brands and does not necessarily mean to cover all categories of tools offered by us. You are kindly reminded to verify carefully when you are placing an order with us if you are actually saving half in comparison with the top major brands.

VEVOR®

TOUGH TOOLS, HALF PRICE

BARN DOOR

MODEL: 30BL



(The picture is for reference only, please refer to the actual object)

NEED HELP? CONTACT US!

Have product questions? Need technical support? Please feel free to contact us:

Technical Support and E-Warranty Certificate
www.vevor.com/support

This is the original instruction, please read all manual instructions carefully before operating. VEVOR reserves a clear interpretation of our user manual. The appearance of the product shall be subject to the product you received. Please forgive us that we won't inform you again if there are any technology or software updates on our product.

SAFETY INSTRUCTION AND PRECAUTIONS



WARNING:

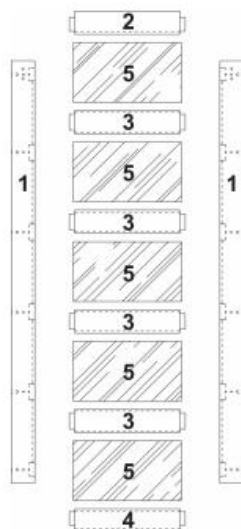
Read this material before using this product. Failure to do so can result in serious injury.

1. This product is not a toy. Do not allow children to play with this item.
2. Use as intended only.
3. **Work area safety:** Keep the workplace clean and bright. Chaos and dark places can cause an accident.
4. Use safety devices. Always wear goggles. Safety devices, such as dust masks under suitable conditions, non-slip safety shoes, helmets, hearing protection and other devices can reduce personal injury.
5. Dress properly. Do not wear loose clothing or wear jewelry. Keep your hair, clothes and sleeves away from moving parts. Loose clothing, ornaments or long hair may be involved in moving parts.

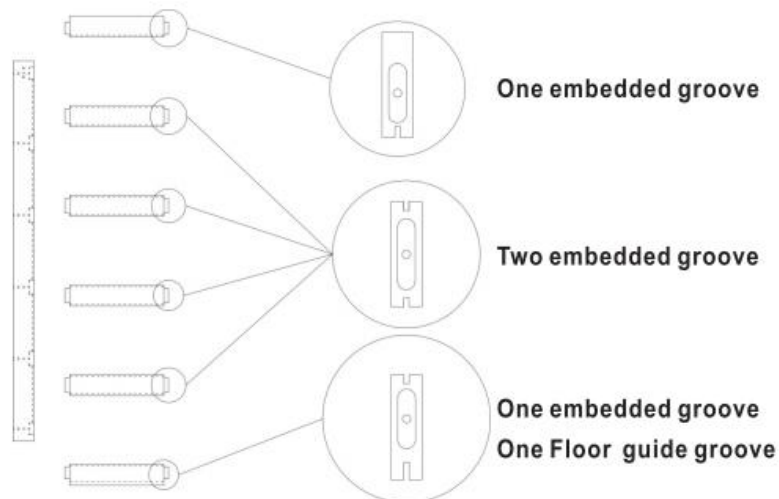
OPERATION AS BELOW

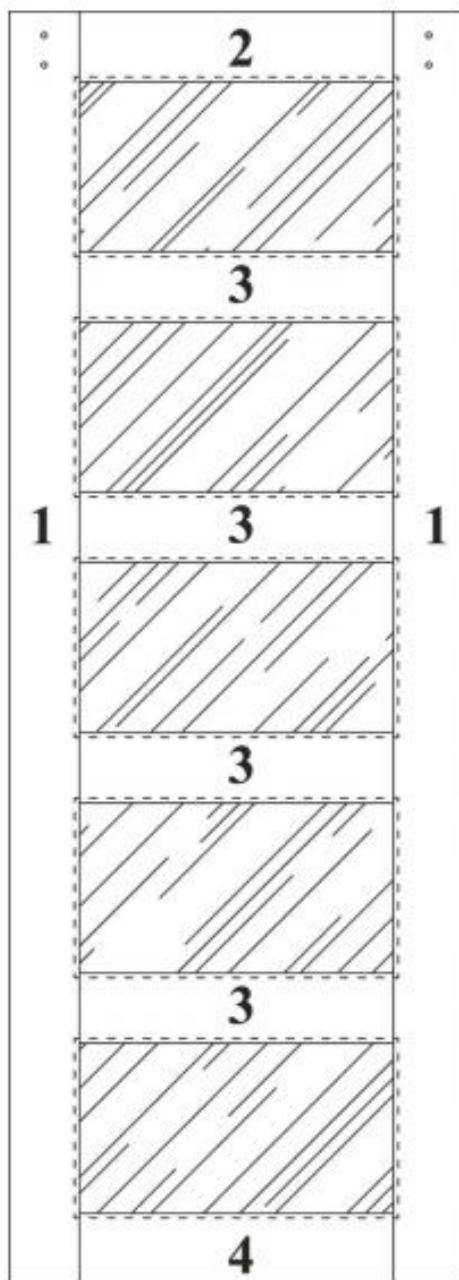
30" x 84" Bain Door Installation Instruction

No.	Name	Quantity
1	Side Stile	2
2	Top Rail	1
3	Middle Rail	4
4	Bottom Rail	1
5	Jade sand glass	5
A	Tension bolt	12 
B	Wooden stopper	12 
C	hexagon	1 



Step 1. Assemble on clean and flat ground, find the No.1 (side stile) and let the grooved side face to the right, find the No.2 (top rail), No.3 (middle rail), No.4 (bottom rail) to put into the groove of No.1 (side stile)



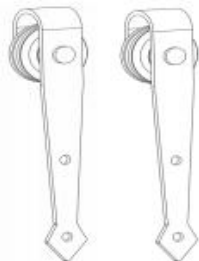


Product Content

1.1, 2XRail



2.1, 2XHanger



2.2, 4XLong Door Screw



3.1, 5XWall Spacer



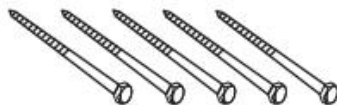
3.2, 5XAnchor

(For concrete wall)

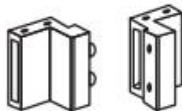


3.3, 5XLag Bolt

(For wood stud)



4.1, 2XDoor Stopper



4.2, 1XHex Key



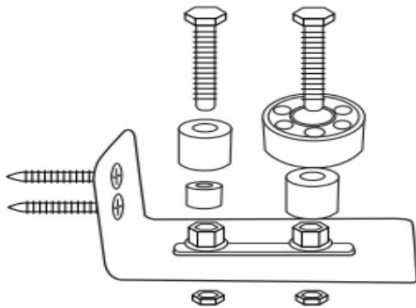
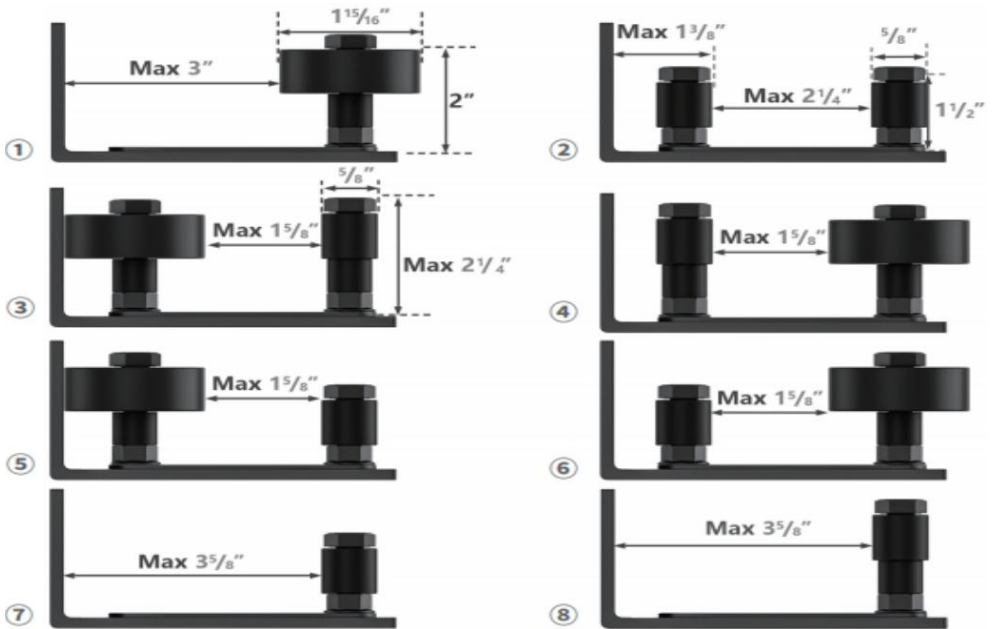
4.3, 2XRubber End



4.4, 1XFloor Guide



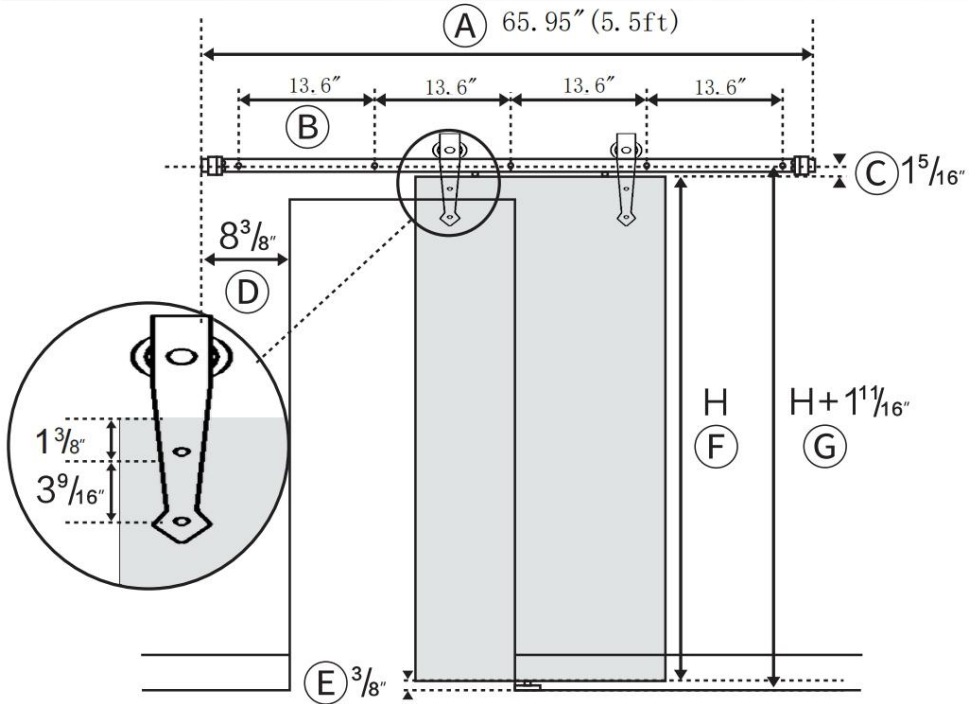
Ground guide rail installation



Notice:

The big roller and 2 small rollers can be separately install/take out from the floor guide. You can freely choose the setups you like to fit your doors. These rollers are UNNECESSARY to always be installed together.

Measurements



A. Over rail length is 65.95".

B. The gap between each pre-drilled hole is 13.6".

C. Distance from door top side to holes on the wall is $1\frac{5}{16}"$.

D. End of the rail is $8\frac{3}{8}"$ away from the entrance of the door.

E. Distance from the bottom of the door is $\frac{3}{8}"$.

F. Door height is H .

G. The height of holes on the wall is $H + 1\frac{1}{16}"$.

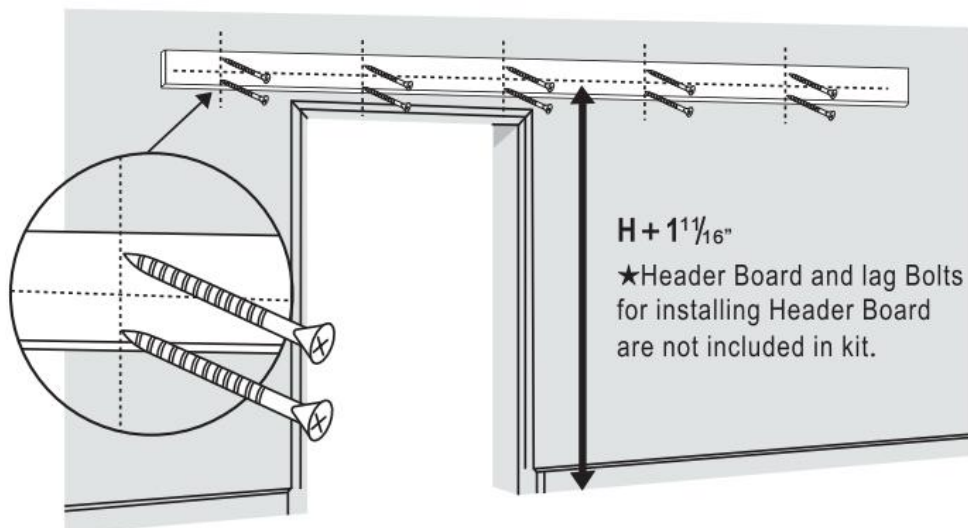
Instructions

It is very important determine whether you will be installing a Header Board prior to installing the track.

Due to many overlapping factors such as the location of wall studs (Our rail come with pre-drilled holes every 16" on center), the weight of a barn door and the various types of trim used in homes , we recommend using a Header Board in all situations.

Please install a 1"x 4" or 1"x 6" Header Board above the door opening directly into studs.

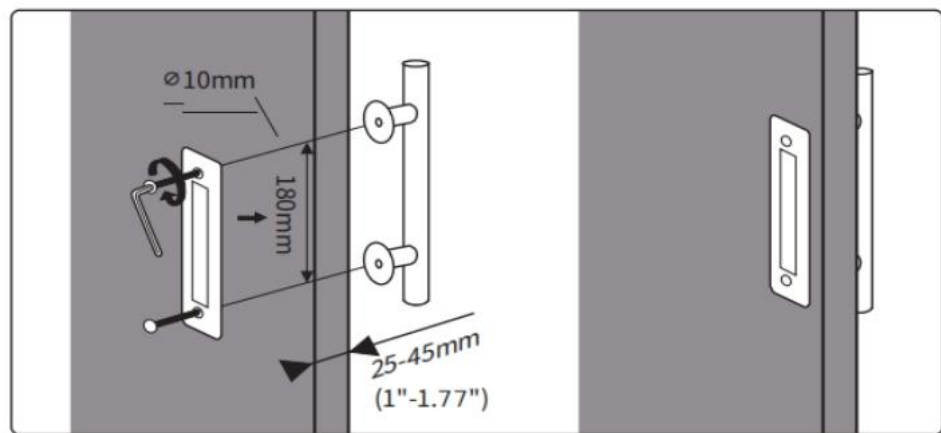
Header Board must be solid wood and measure at least the full length of the track or longer.



Installation steps

Step 1: Drill holes at the desired location.

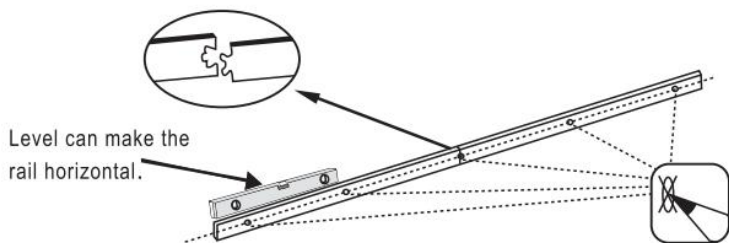
Step 2: Place the pull handle and flush finger pull to the holes (sandwich the door and use the L wrench and screws to mount the pull handle and the flush).



Tips: Please choose the screws according to the thickness of your door.

01

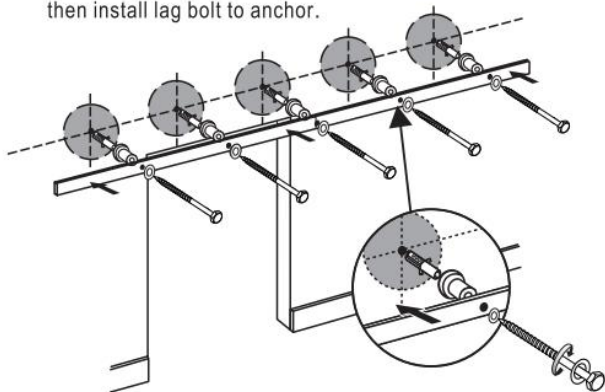
Place the rail against the wall ,and use a pencil to mark whether the holes should be.
Mark sure the height of holes on the wall is $H + 1\ 11/16"$.

**02**

We provide 2 kinds of screws for you to install rail onto concrete wall or drywall.

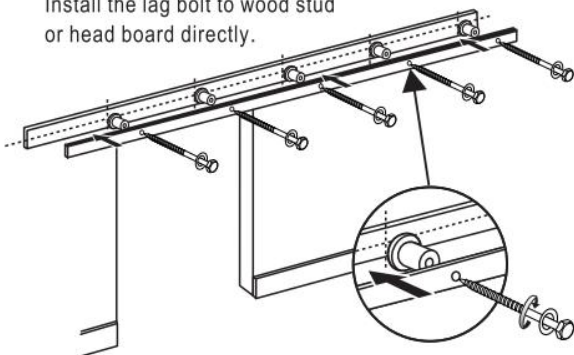
(A) Concrete wall installation.

Install the anchor to holes on the concrete wall first ,
then install lag bolt to anchor.



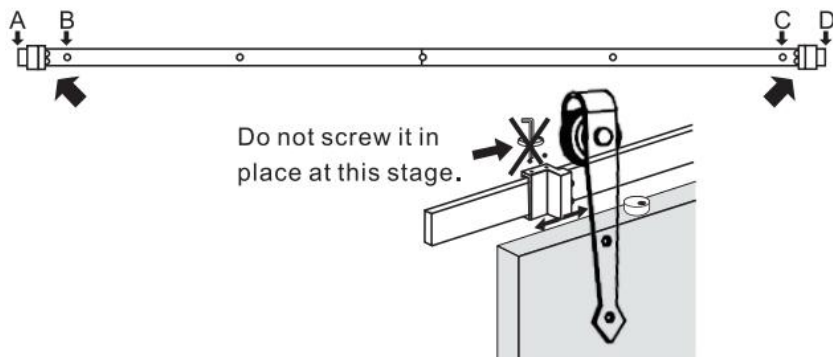
(B) Drywall installation.

Install the lag bolt to wood stud
or head board directly.

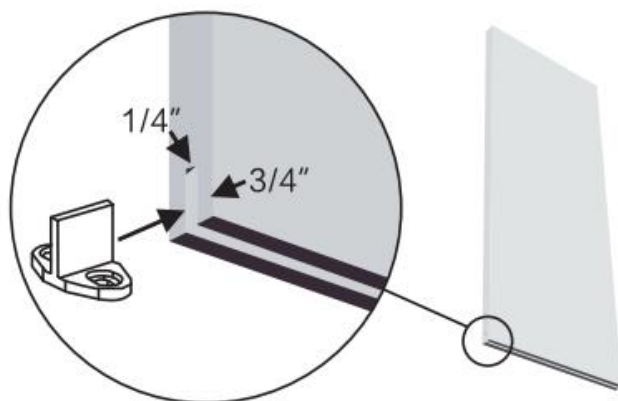


03

Insert door stoppers into rail ,install door stoppers between A-B and C-D. Door stopper is used to prevent the hangers coming out of the rail.

**04**

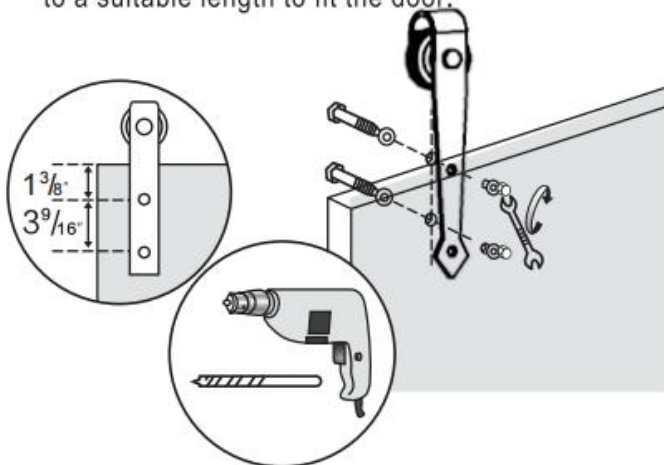
Use router or circular saw to create a kerf at bottom of the door, along the center to allow the tip of the T-shaped floor guide to fit in between, to keep your door stable and prevent the door bottom swinging back and forth when you slide it open and closed.



05

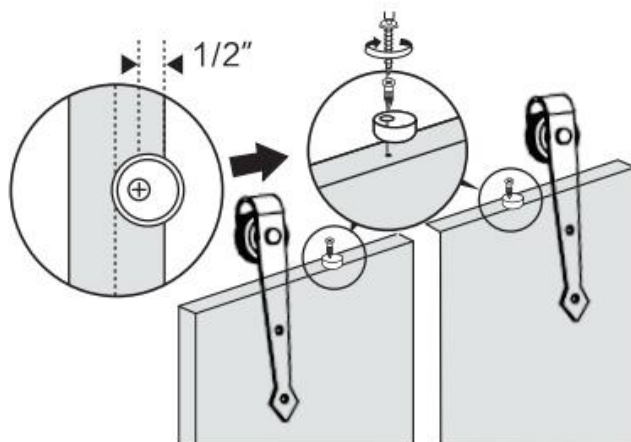
Install the hangers onto the door according to the measurement in the pictures below.

Maximum door thickness is $1\frac{3}{4}$ " , please add some bolt washers or cut the long door bolts to a suitable length to fit the door.



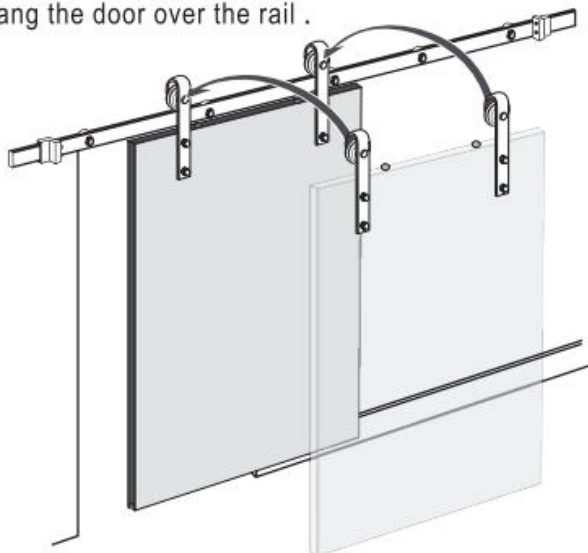
06

The rubber ends are used to protect the door from touching the rail when sliding the door. You need to drill holes on the door top side , please drill the holes $\frac{1}{2}$ away from the edge of the door. Then install the rubber ends on the door.

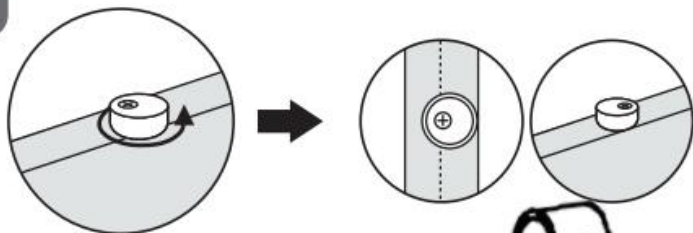


07

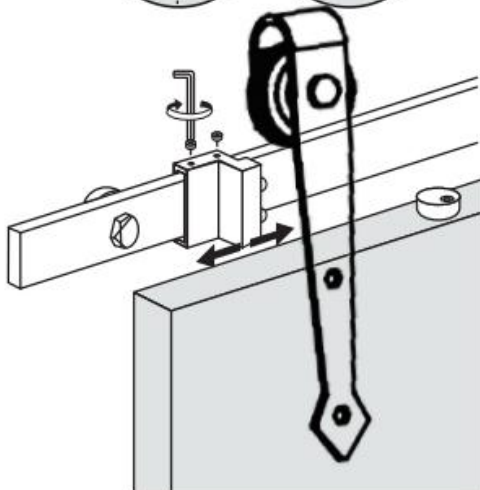
Hang the door over the rail .

**08**

Turn the rubber ends approximately 180 degrees so that they are stuck between the door and the rail.

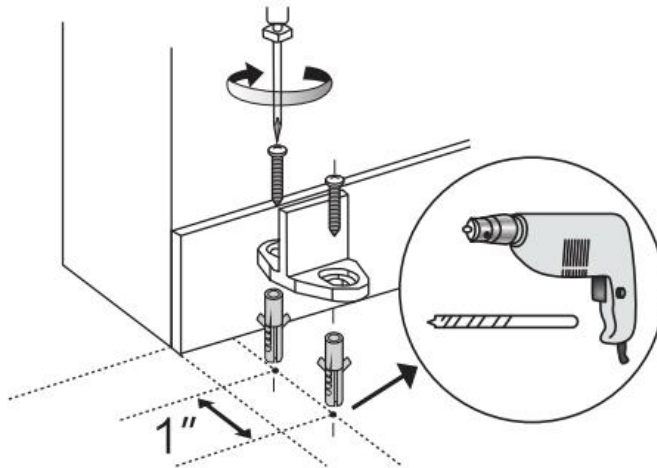
**09**

Adjust the 2 door stoppers to find a suitable position , use the hex key to screw the door stoppers in place.



10

Install the floor guide. Put floor guide on the floor first to fix a suitable position and make a mark so that the tip of the floor guide can work well in the slot. Use suitable drill bit to drill holes on the floor where the mark is, and then install the floor guide.



	Items	Description
1	Name	Barn door
2	Model	30BL
3	Parameter	Door size: 30x84inch Material: wood, stalinite

Address: Baoshanqu Shuangchenglu 803long 11hao 1602A-1609shi Shanghai
Imported to AUS: SIHAO PTY LTD. 1 ROKEVA STREETEASTWOOD NSW 2122
 Australia

Imported to USA: Sanven Technology Ltd. Suite 250, 9166 Anaheim Place,
 Rancho Cucamonga, CA 91730

EC	REP	SHUNSHUN GmbH Römeräcker 9 Z2021,76351 Linkenheim-Hochstetten, Germany
-----------	------------	--

UK	REP	Pooledas Group Ltd Unit 5 Albert Edward House, The Pavilions Preston, United Kingdom
-----------	------------	--

Made In China

VEVOR[®]

TOUGH TOOLS, HALF PRICE

Technical Support and E-Warranty Certificate

www.vevor.com/support