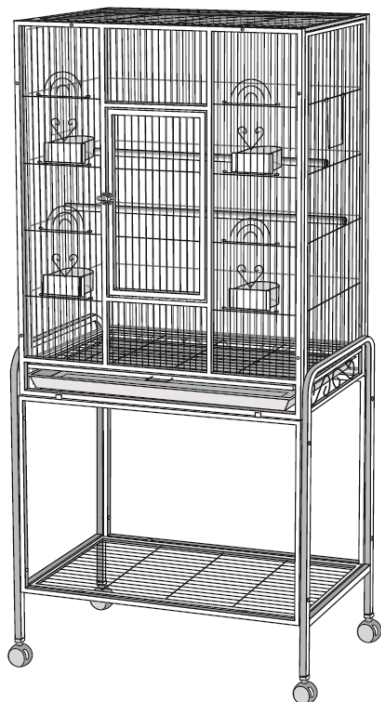


**Standing Bird Cages
503AB**



NEED HELP? CONTACT US!

Have product questions? Need technical support?
Please feel free to contact us:
Technical Support and E-Warranty Certificate
www.vevor.com/support

This is the original instruction, please read all manual instructions carefully before operating. VEVOR reserves clear interpretation of our user manual. The appearance of the product shall be subject to the product you received. Please forgive us that we won't inform you again if there is any technology or software updates on our product.

WARNING:

Read this material before using this product. Failure to do so can result in serious injury.

Assembly precautions

1. Assemble only according to these instructions. Improper assembly can create hazards.
2. In order to ensure your own safety, please make sure to ANSI-approved safety goggles and heavy-duty work gloves when installing this product.
3. Keep the assembly area clean and well lit.
4. Keep bystanders out of the area during assembly.
5. Do not assemble when tired or when under the influence of alcohol, drugs or medication.
6. Product capabilities apply to properly and completely assembled product only.
7. Assemble on a flat, level, hard and smooth surface capable of safely supporting a fully loaded bird cage.

Use precautions

TO PREVENT SERIOUS INJURY AND DEATH FROM TIPPING:

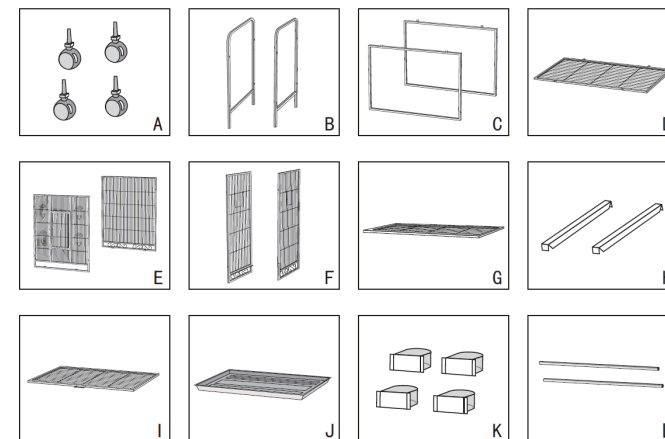
1. DO NOT SIT OR STAND ON THIS ITEM.
2. This product is not a toy. Do not allow children to play with or near this item. Please keep small spare parts out of children's reach.
3. Use only on a flat, level, hard and smooth surface capable of safely supporting a fully loaded bird cage.
4. Use as intended only.
5. Inspect before every use; do not use if parts are loose or damaged.
6. We recommend 2 or more people to install.

SAVE THESE INSTRUCTIONS

SPECIFICATIONS

Model	503AB
Product Size	640*430*1300 mm
Color	Black

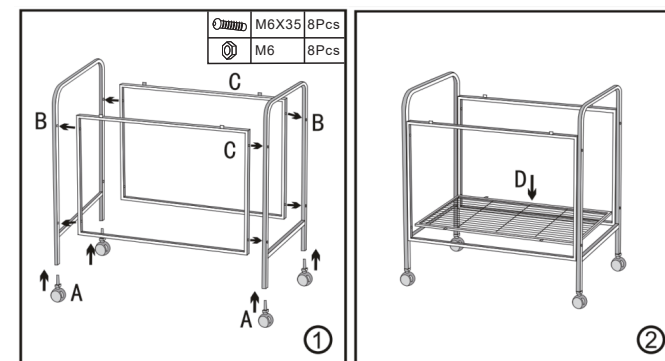
COMPONENTS



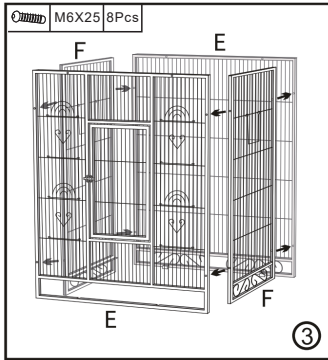
Assembly Instructions

Notice:

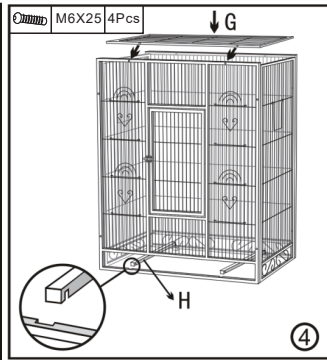
1. Various specifications of screws are used in the installation of this product. Pay attention to the correct use of screw specifications according to the instruction manual.
2. Please wear gloves when installing.



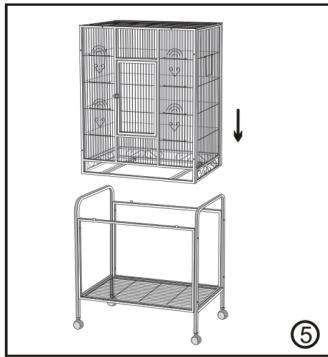
1. Take out the iron frame and assemble it with screws, and also install casters.
2. Put the bottom net on the iron shelf.



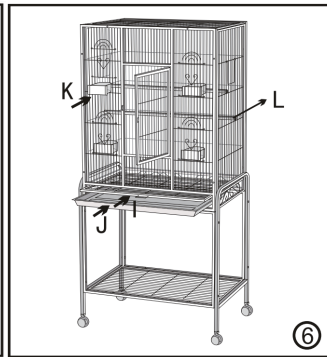
3. Take out the iron mesh around and assemble it with screws.



4. Put the top net and the bottom bracket.



5. Put the assembled iron bird cage on the assembled iron frame, matching.



6. Finally, put the bottom net/chassis/feed cup/stick on top of the cage.

Address: Shuangchenglu 803nong11hao1602A-1609shi, baoshanqu, shanghai 200000 CN.

Imported to AUS: SIHAO PTY LTD. 1 ROKEVA STREET EASTWOOD NSW 2122 Australia

Imported to USA: Sanven Technology Ltd. Suite 250, 9166 Anaheim Place, Rancho Cucamonga, CA 91730

EC REP

E-CrossStu GmbH
Mainzer Landstr.69, 60329 Frankfurt am Main.

UK REP

YH CONSULTING LIMITED.
C/O YH Consulting Limited Office 147, Centurion House,
London Road, Staines-upon-Thames, Surrey, TW18 4AX

VEVOR[®]
TOUGH TOOLS, HALF PRICE

Technical Support and E-Warranty Certificate
www.vevor.com/support

VEVOR[®]
TOUGH TOOLS, HALF PRICE

Technical Support and E-Warranty Certificate
www.vevor.com/support

STANDING BIRD CAGES

We continue to be committed to provide you tools with competitive price. "Save Half", "Half Price" or any other similar expressions used by us only represents an estimate of savings you might benefit from buying certain tools with us compared to the major top brands and does not necessarily mean to cover all categories of tools offered by us.

You are kindly reminded to verify carefully when you are placing an order with us if you are actually saving half in comparison with the top major brands.