

VEVOR[®]

TOUGH TOOLS, HALF PRICE

Technical Support and E-Warranty Certificate www.vevor.com/support

FARMHOUSE END TABLE

USER MANUAL

MODEL:KLST-01 KLST-02

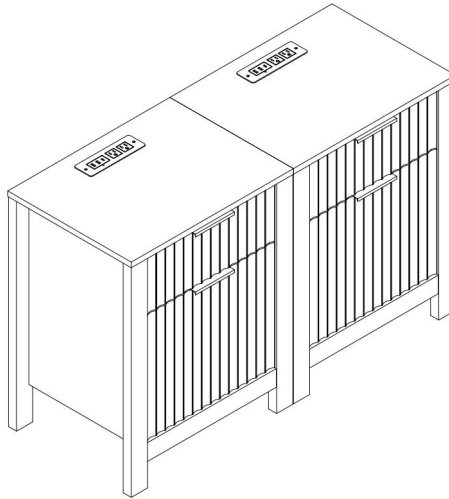
We continue to be committed to provide you tools with competitive price. "Save Half", "Half Price" or any other similar expressions used by us only represents an estimate of savings you might benefit from buying certain tools with us compared to the major top brands and does not necessarily mean to cover all categories of tools offered by us. You are kindly reminded to verify carefully when you are placing an order with us if you are actually Saving Half in comparison with the top major brands.

VEVOR[®]

TOUGH TOOLS, HALF PRICE

FARMHOUSE END TABLE

MODEL:KLST-01 KLST-02



NEED HELP? CONTACT US!

Have product questions? Need technical support? Please feel free to contact us:

Technical Support and E-Warranty Certificate
www.vevor.com/support

This is the original instruction, please read all manual instructions carefully before operating. VEVOR reserves a clear interpretation of our user manual. The appearance of the product shall be subject to the product you received. Please forgive us that we won't inform you again if there are any technology or software updates on our product.

SAFETY INSTRUCTIONS

WARNING:

Read this material before using this product. Failure to do so can result in serious injury.

Assembly precautions

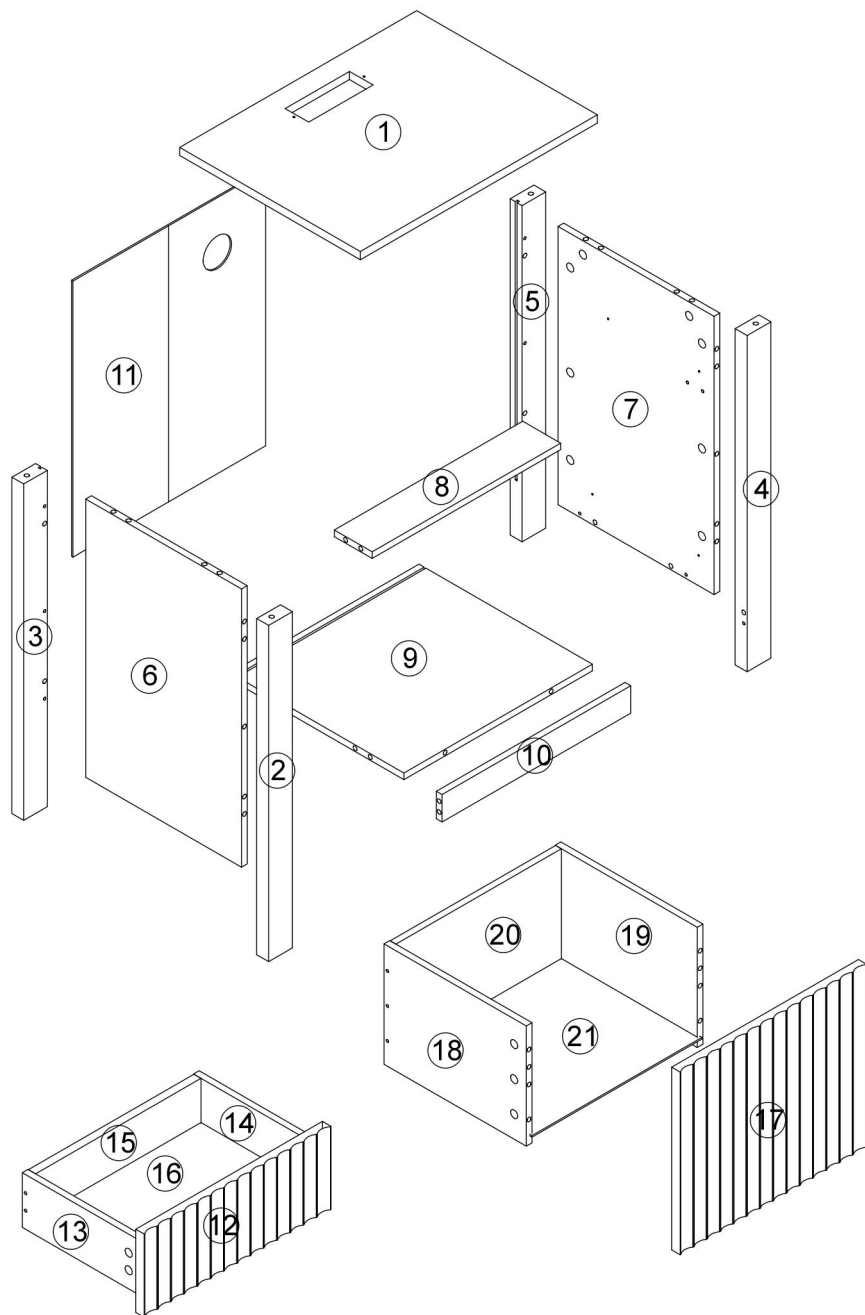
1. Assemble only according to these instructions. Improper assembly can create hazards.
2. Wear ANSI-approved safety goggles and heavy-duty work gloves during assembly.
3. Keep the assembly area clean and well-lit.
4. Keep bystanders out of the area during assembly.
5. Do not assemble if tired or when under the influence of alcohol, drugs or medication.
6. The product capabilities apply to properly and completely assembled products only.
7. Assemble on a flat, level, hard and smooth surface capable of safely supporting the Farmhouse End Table.
8. For additional information regarding the parts listed in the following pages, please refer to the Assembly Diagram of this manual. Unwrap and separate all parts in a clean work area.










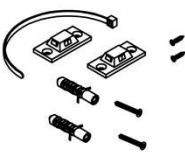


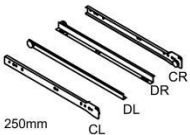
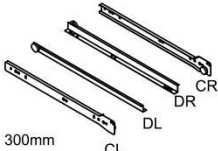


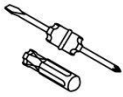
Use precautions

1. DO NOT SIT OR STAND ON THIS ITEM.
2. This product is not a toy. Do not allow children to play with or near this item.
3. Do not exceed specified weight capacities.
4. Use only on a flat, level, hard, and smooth surface that can safely support a fully loaded Farmhouse End Table.
5. Use as intended only.
6. Inspect before every use; do not use if parts are loose or damaged.

SAVE THIS MANUAL

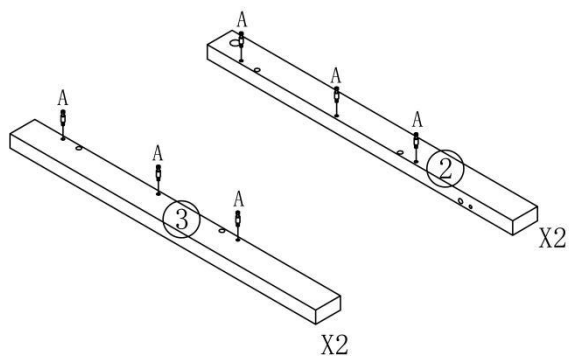
PARTS LIST




A	X80+1	B	X80+1	C	X40+1	D	X20	
 $\text{Ø}6 \times 32\text{mm}$		 $\text{Ø}15 \times 9.5$		 $\text{Ø}8 \times 30$		 $\text{Ø}3.5 \times 35\text{mm}$		
E	X24+1	F	X16+1	G	X4	H	X16	
 $\text{Ø}3 \times 14\text{mm}$		 $\text{Ø}3.5 \times 12\text{mm}$		 $\text{Ø}3.5 \times 14\text{mm}$		 $\text{Ø}3 \times 14\text{mm}$		
I	X4	J	X2	K	X8	L	X80	
 96mm				 3mm		 $\text{Ø}20$		
M	X2	N	X2	O				X2
 250mm		 300mm		 KLST-01		 KLST-02		
	X1							
								

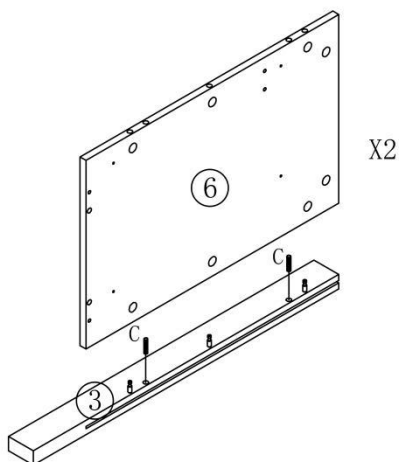
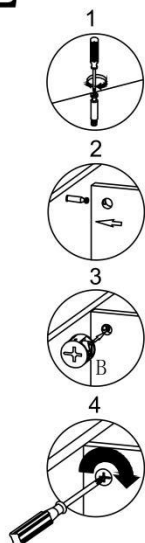
ASSEMBLY STEP



1



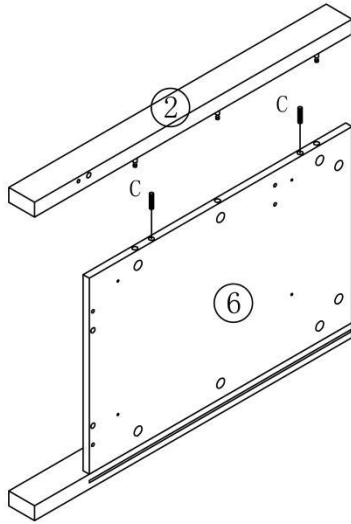
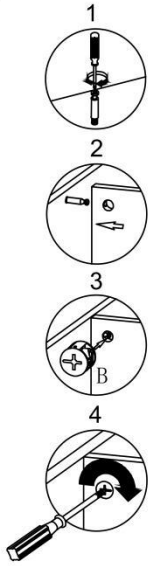
A	X12
 Ø6×32mm	

2





B	X6
 Ø15×9.5	
C	X4
 Ø8×30	

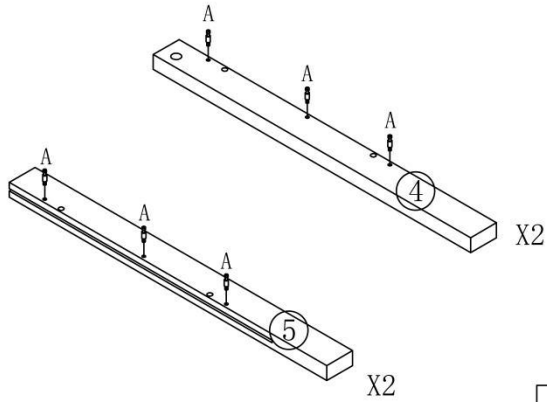
3



X2


B	X6
 $\text{Ø}15 \times 9.5$	
C	X4
 $\text{Ø}8 \times 30$	

4

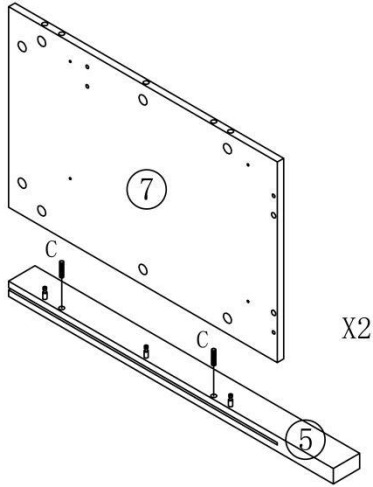
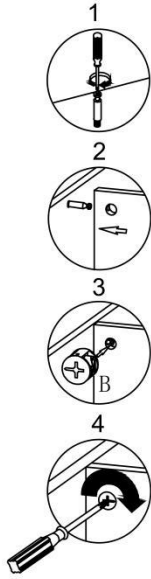




X2

X2

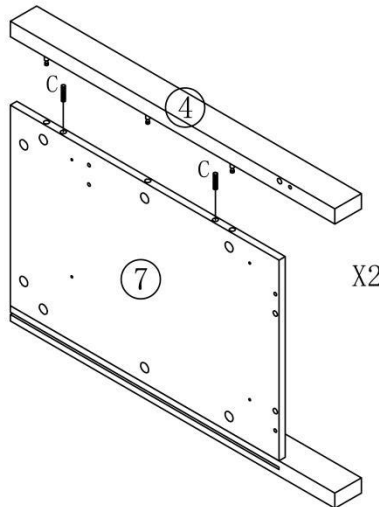
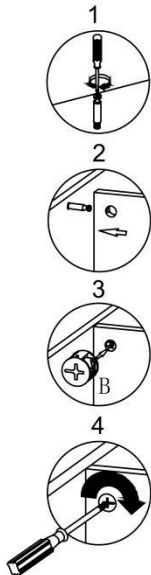
A	X12
 $\text{Ø}6 \times 32\text{mm}$	



5



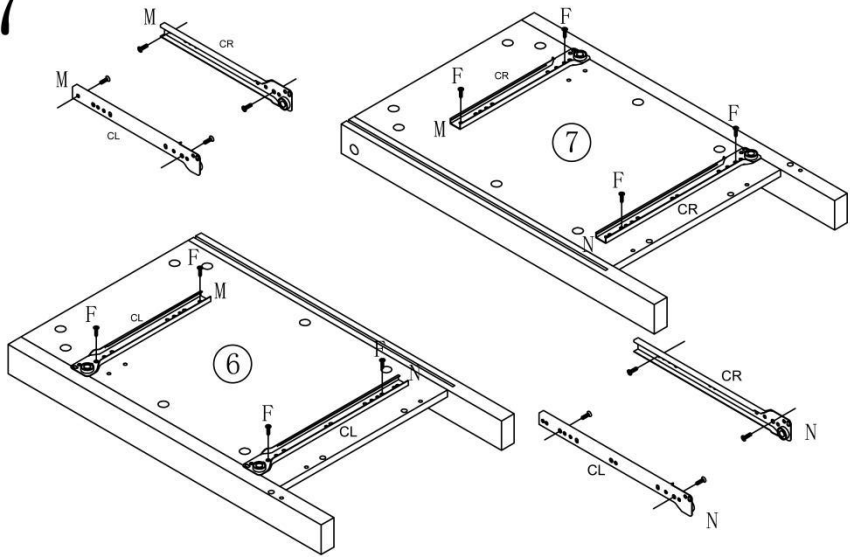
B	X6
 $\text{Ø}15 \times 9.5$	
C	X4
 $\text{Ø}8 \times 30$	

6



B	X6
 $\text{Ø}15 \times 9.5$	
C	X4
 $\text{Ø}8 \times 30$	

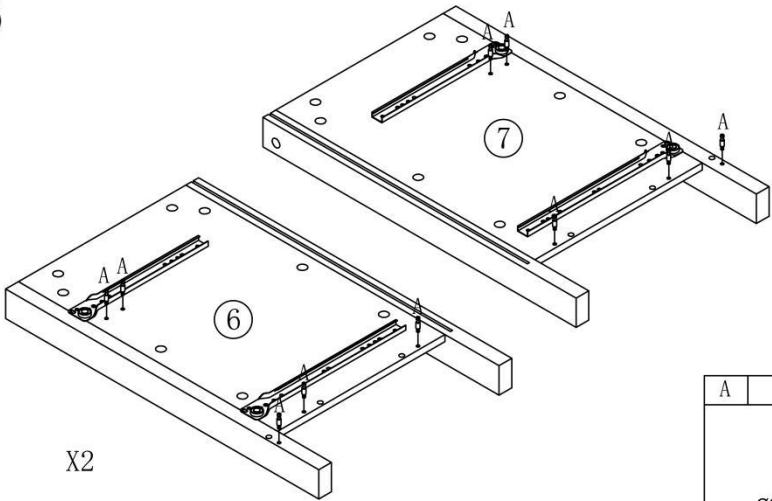
7



X2

M	X2	N	X2	F	X16
250mm	CL	300mm	CL		Ø3.5×12mm

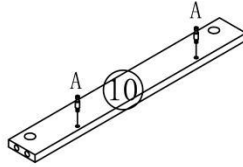
8




X2

A	X20
	Ø6×32mm

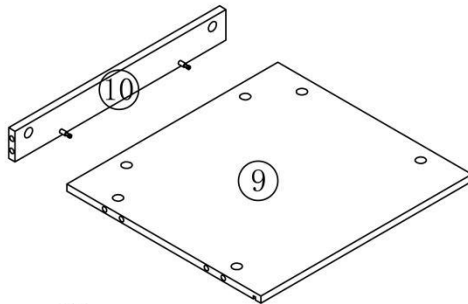
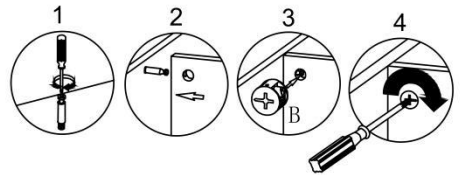
9




X2

A	X4
 Ø6×32mm	

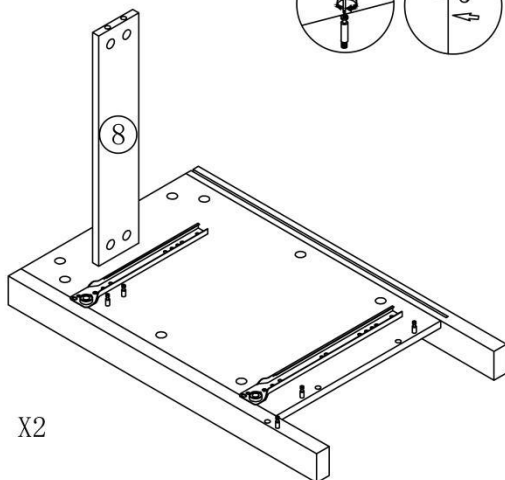
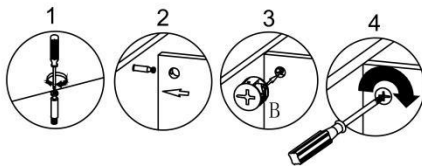
10




X2

B	X4
 Ø15×9.5	

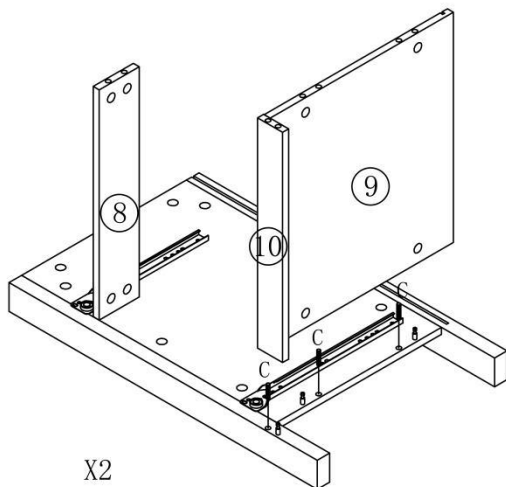
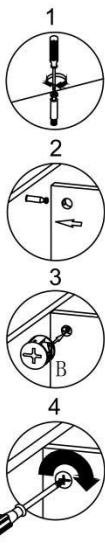
11





X2

B	X4
 Ø15×9.5	

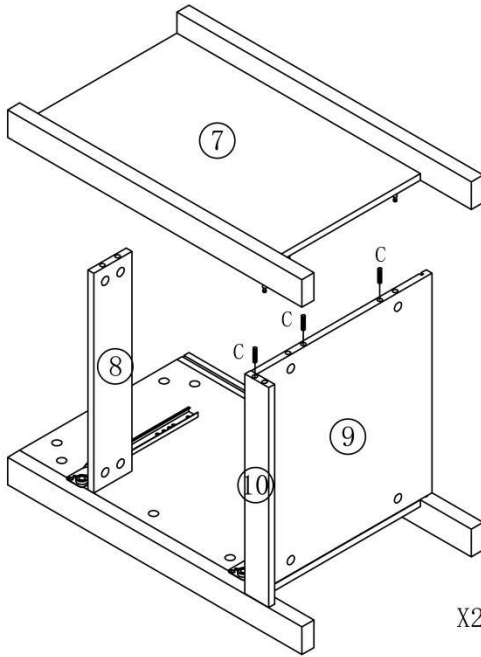
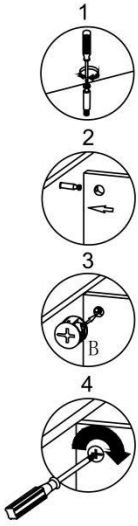
12





X2

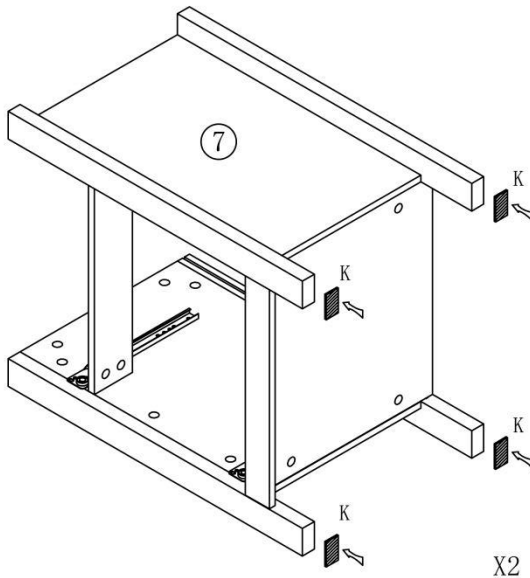
B	X6
 Ø15×9.5	
C	X6
 Ø8×30	


13



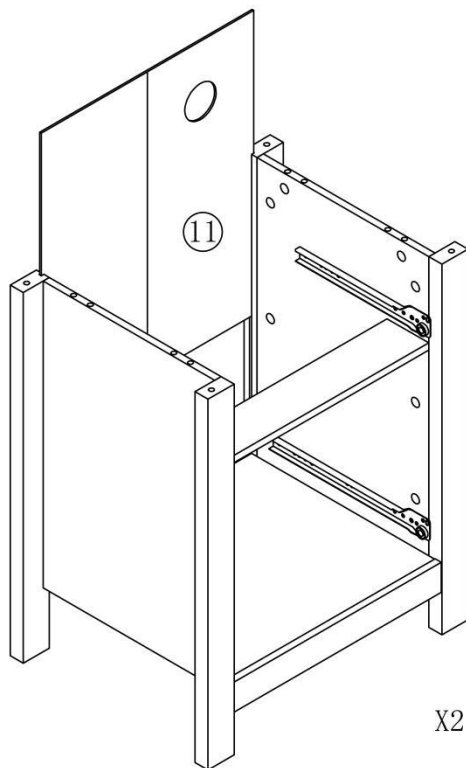
B	X10
 Ø15×9.5	
C	X6
 Ø8×30	

14

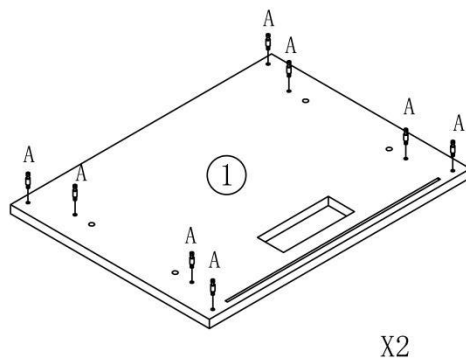



K	X8
 3mm	

15

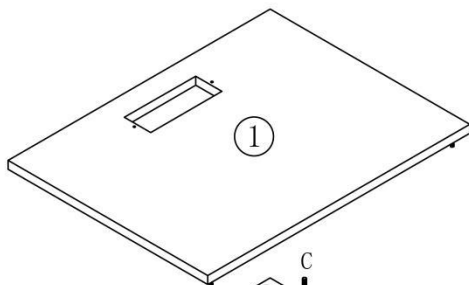


16

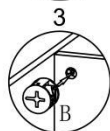
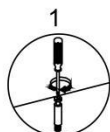
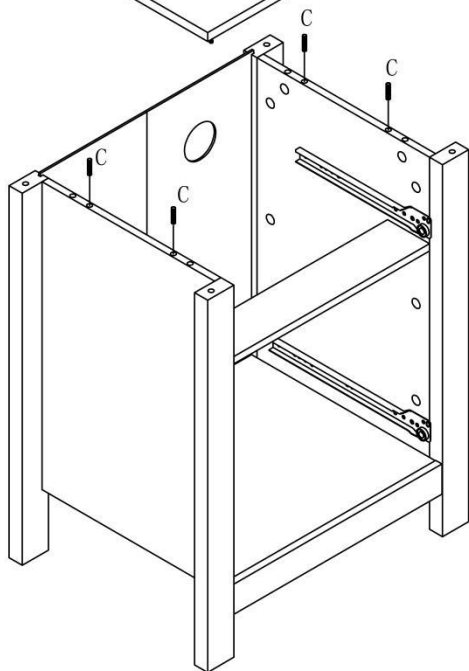




A	X16
	
Ø6×32mm	

17

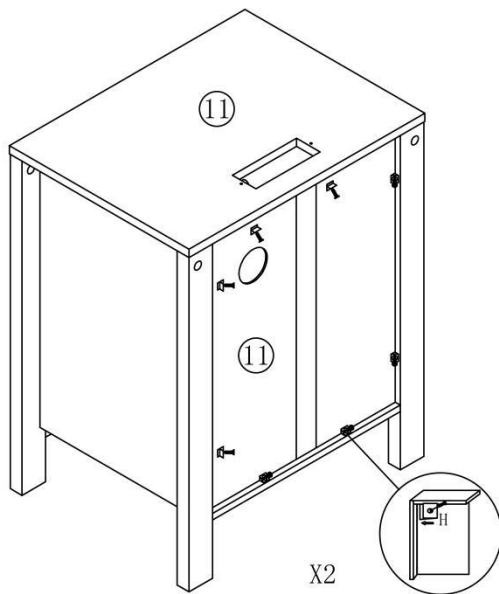



X2



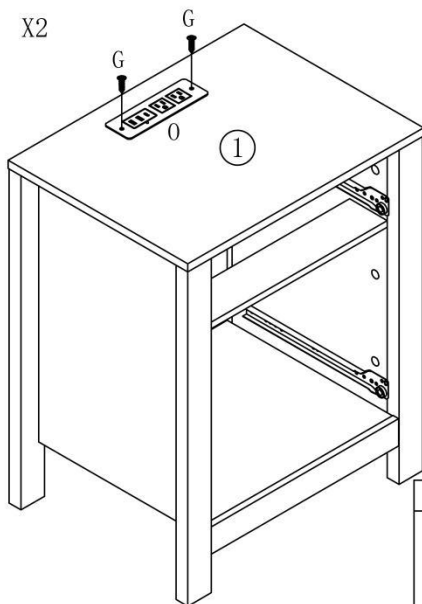
B	X16
 $\text{Ø}15 \times 9.5$	
C	X8
 $\text{Ø}8 \times 30$	


18





H	X16
 Ø3×14mm	

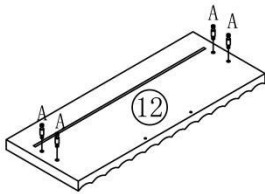
19



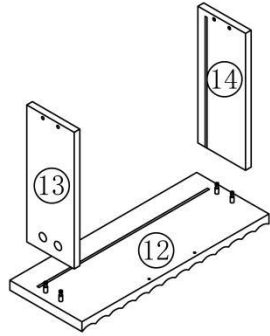
G	X4
 Ø3.5×14mm	

0	X2
 KLST-01	 KLST-02

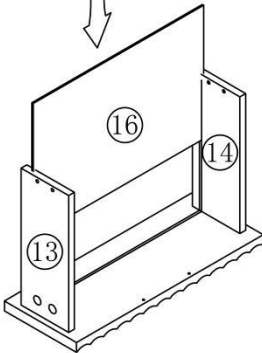
20



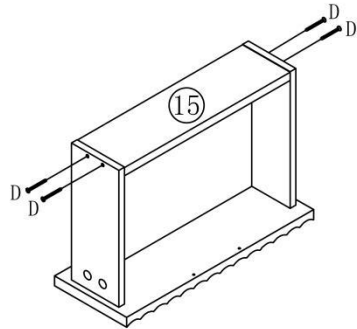
X2



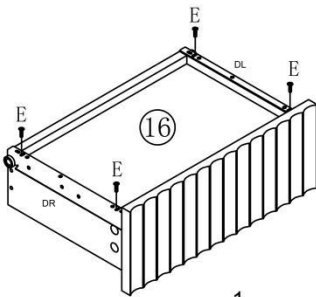
X2



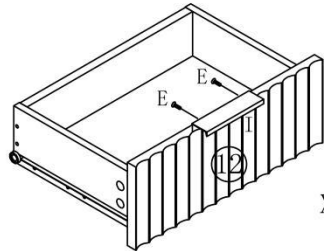
X2



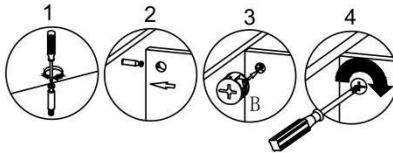
X2



X2



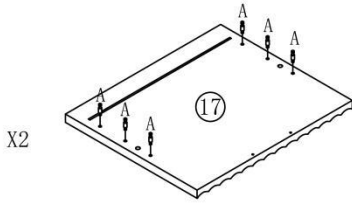
X2



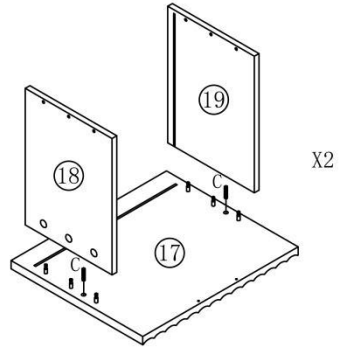
I	X2
96mm	

A	X8	B	X8	D	X8	E	X12	M	X2
Ø6×32mm		Ø15×9.5		Ø3.5×35mm		Ø3×14mm		250mm DL	

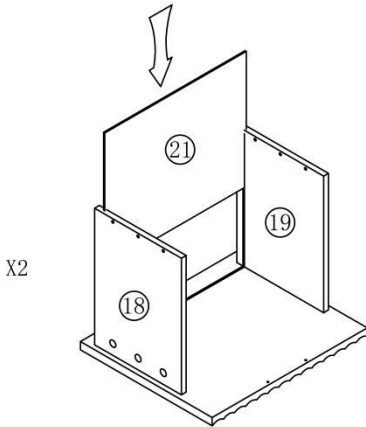
21



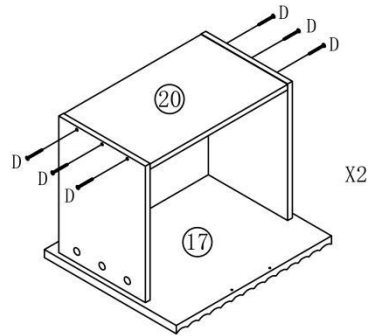
X2



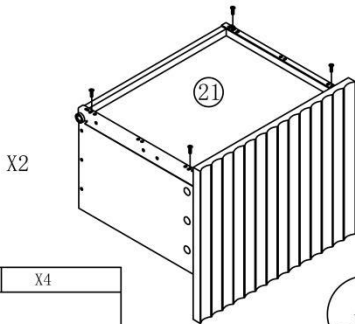
X2



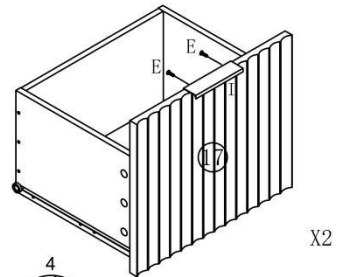
X2



X2

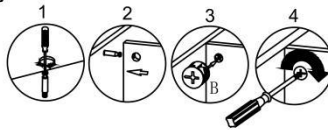


X2



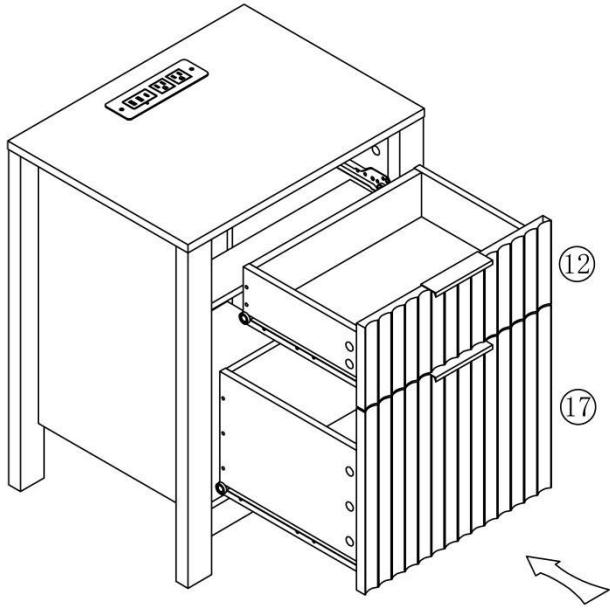
X2

C	X4
<p>Ø8×30</p>	



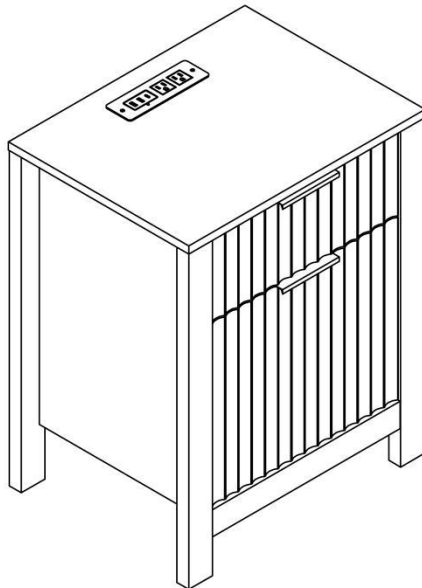
A	X8	B	X8	D	X12	E	X12	N	X2	I	X2
<p>Ø6×32mm</p>		<p>Ø15×9.5</p>		<p>Ø3.5×35mm</p>		<p>Ø3×14mm</p>		<p>300mm DL</p>		<p>96mm</p>	

22




X2

23

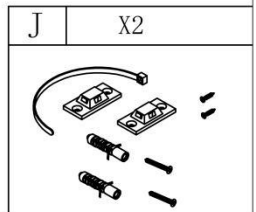
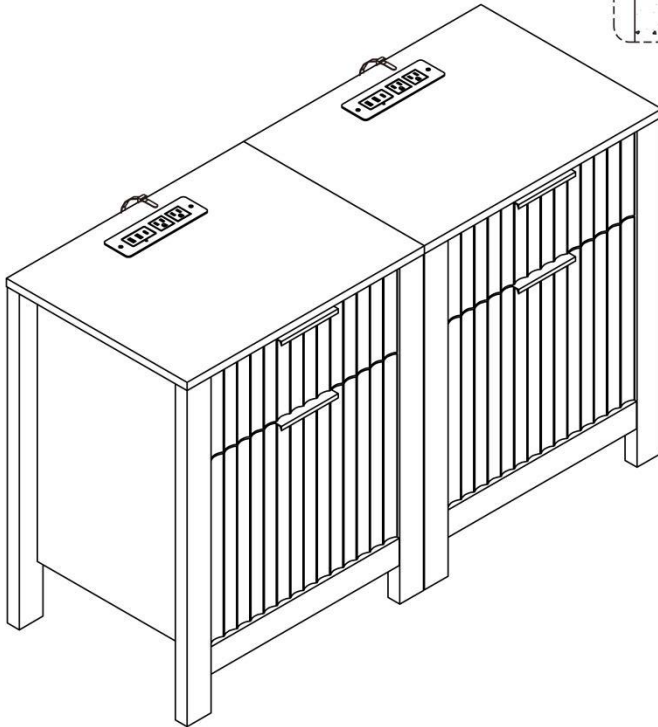
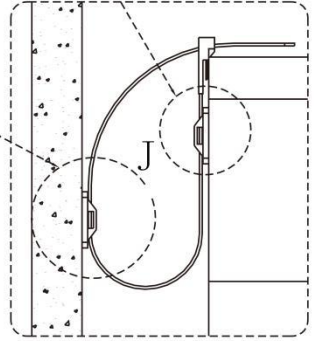
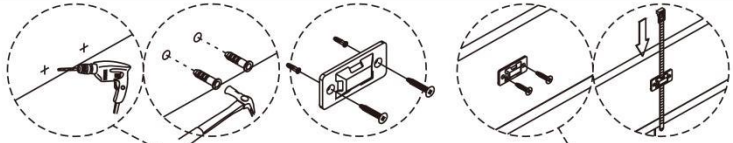


X2



L	X80
 020	

24



PRODUCT PARAMETER

Model	KLST-01	KLST-02
Safe Loading Weight	29.9kg	
Colour	Gray	
Product Size	635*500*381mm	



This product is subject to the provision of European Directive 2012/19/EC. The symbol showing a wheeled bin crossed through indicates that the product requires separate refuse collection in the European Union. This applies to the product and all accessories marked with this symbol. Products marked as such may not be discarded with normal domestic waste, but must be taken to a collection point for recycling electrical and electronic devices.

Manufacturer: Shanghaimuxinmuyeyouxiangongsi

Address: Shuangchenglu 803nong11hao1602A-1609shi, baoshanqu, shanghai 200000 CN.

Imported to AUS: SIHAO PTY LTD. 1 ROKEVA STREETEASTWOOD NSW 2122 Australia

Imported to USA: Sanven Technology Ltd. Suite 250, 9166 Anaheim Place, Rancho Cucamonga, CA 91730

EC	REP
-----------	------------

E-CrossStu GmbH
Mainzer Landstr.69, 60329 Frankfurt am Main.

UK	REP
-----------	------------

YH CONSULTING LIMITED.
C/O YH Consulting Limited Office 147, Centurion House, London Road, Staines-upon-Thames, Surrey, TW18 4AX

VEVOR[®]
TOUGH TOOLS, HALF PRICE

Technical Support and E-Warranty Certificate
www.vevor.com/support