

VEVOR[®]

TOUGH TOOLS, HALF PRICE

Technical Support and E-Warranty Certificate www.vevor.com/support

BACKHOE EXCAVATOR THUMB USER MANUAL

We continue to be committed to provide you tools with competitive price.

"Save Half", "Half Price" or any other similar expressions used by us only represents an estimate of savings you might benefit from buying certain tools with us compared to the major top brands and does not necessarily mean to cover all categories of tools offered by us. You are kindly reminded to verify carefully when you are placing an order with us if you are actually saving half in comparison with the top major brands.

VEVOR[®]

TOUGH TOOLS, HALF PRICE

BACKHOE EXCAVATOR
THUMB

MODEL:

XSJ-23-F01, XSJ-23-F02, XSJ-23-F03, XSJ-23-F04, XSJ-23-F05



NEED HELP? CONTACT US!

Have product questions? Need technical support? Please feel free to contact us:

Technical Support and E-Warranty Certificate
www.vevor.com/support

This is the original instruction, please read all manual instructions carefully before operating. VEVOR reserves a clear interpretation of our user manual. The appearance of the product shall be subject to the product you received. Please forgive us that we won't inform you again if there are any technology or software updates on our product.

WARNING:

1. Do not allow children to climb on the unit.
2. Keep children and pets away during assembly.

ASSEMBLY PRECAUTIONS

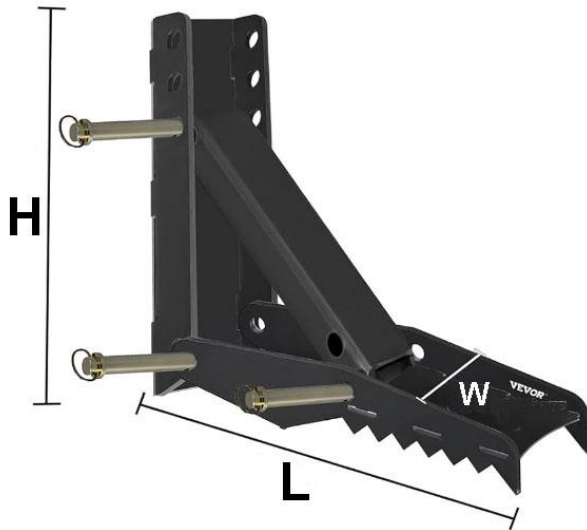
1. Please assemble the product in strict accordance with the instructions. Incorrect assembly could be hazardous.
2. Please wear safety goggles and work gloves properly during assembly.
3. Do not try to assemble the product when feeling tired or when under the influence of alcohol, drugs or medication.
4. Separate and count all parts and hardware.
5. Two people are required for assembly.
8. Follow the intended uses only. Do not sit or stand on the above.

SAVE THESE INSTRUCTIONS

TECHNICAL PARAMETERS

MODEL	Material	L	H	W	Thickness
XSJ-23-F01	Q235B	460	505	154	12
XSJ-23-F02	Q235B	610	505	154	12
XSJ-23-F03	Q235B	690	505	154	12
XSJ-23-F04	Q235B	820	505	154	12
XSJ-23-F05	Q235B	920	645	167	12

PRODUCT INTRODUCE



- Use Q235B steel
- Integrated bending molding process, the thickness around is the same as the plate thickness, so the product bearing capacity is stronger, the product is more sturdy as the bending interface is full welding.
- Easy installation, quick installation and welding of accessories.

APPLICATIONS

The product can be mounted directly on the boom of the excavator before use to assist the user in completing a variety of excavation work. It can be unloaded after completion.

Easy to Install

Each part of our backhoe excavator thumb has been plasma cut for tight fit and easy assembly, and all accessories are included in the package. All you need to do is put them together.

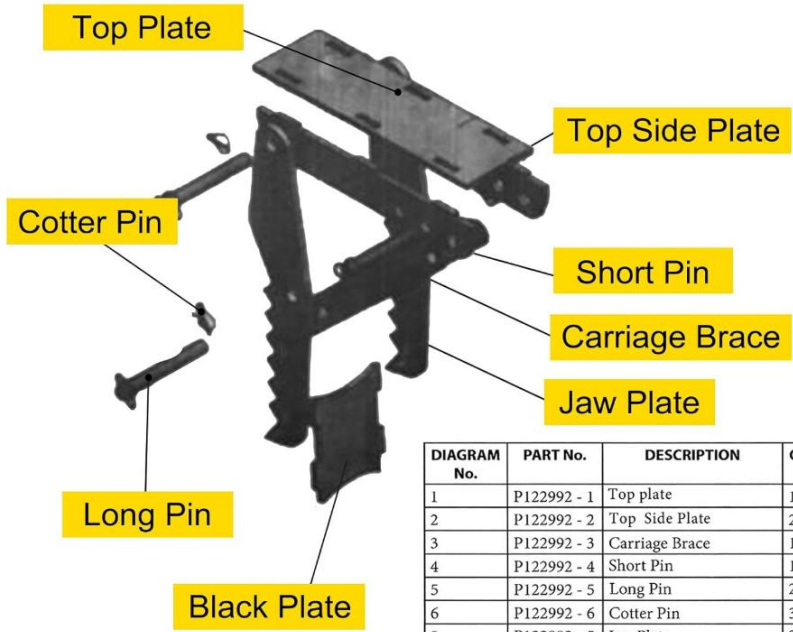


DIAGRAM No.	PART No.	DESCRIPTION	QTY
1	P122992 - 1	Top plate	1
2	P122992 - 2	Top Side Plate	2
3	P122992 - 3	Carriage Brace	1
4	P122992 - 4	Short Pin	1
5	P122992 - 5	Long Pin	2
6	P122992 - 6	Cotter Pin	3
8	P122992 - 5	Jaw Plate	2
9	P122992 - 6	Black plate	1

Adjustable and Removable

By removing the bolts, you can fold the plates out of the way; the plates are also adjustable by connecting the bolt to different mounting holes to acquire a proper angle.



Several examples of application below:



VEVOR[®]
TOUGH TOOLS, HALF PRICE

Technical Support and E-Warranty Certificate
www.vevor.com/support