

# **VEVOR<sup>®</sup>**

**TOUGH TOOLS, HALF PRICE**

Technical Support and E-Warranty Certificate [www.vevor.com/support](http://www.vevor.com/support)

## **STATIONARY COMPOSTERS**

### **USER MANUAL**

We continue to be committed to provide you tools with competitive price.

"Save Half", "Half Price" or any other similar expressions used by us only represents an estimate of savings you might benefit from buying certain tools with us compared to the major top brands and does not necessarily mean to cover all categories of tools offered by us. You are kindly reminded to verify carefully when you are placing an order with us if you are actually saving half in comparison with the top major brands.

# VEVOR®

TOUGH TOOLS, HALF PRICE

## STATIONARY COMPOSTERS

XDB-431



### NEED HELP? CONTACT US!

Have product questions? Need technical support? Please feel free to contact us:

**Technical Support and E-Warranty Certificate**  
[www.vevor.com/support](http://www.vevor.com/support)

This is the original instruction, please read all manual instructions carefully before operating. VEVOR reserves a clear interpretation of our user manual. The appearance of the product shall be subject to the product you received. Please forgive us that we won't inform you again if there are any technology or software updates on our product.

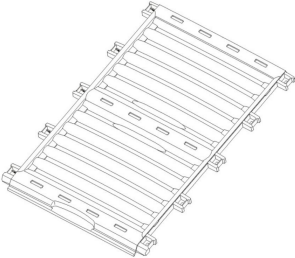
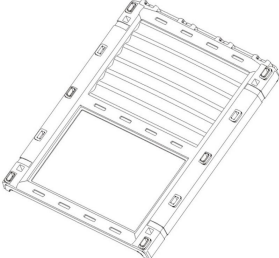
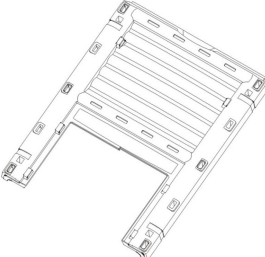
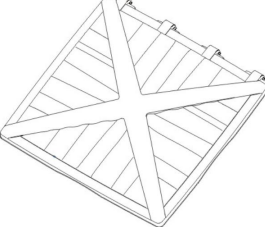

## **SAFETY INSTRUCTIONS**

**WARNING: Please pay close attention to the following instructions in order to reduce the risk of injuries, accidents or damage to the product by itself.**

1. Please follow ALL safety instructions listed below.
2. Please remove the packaging material before assembling or using the product.
3. Please make sure that all listed parts are included in the package and that they are not damaged.
4. Please read these assembly and safety instructions carefully before Usage of the composters and keep them for future reference.
5. This product should only be used in a non-commercial way.
6. Do not use or store this item in the proximity of open flame or flammable/combustible chemicals.

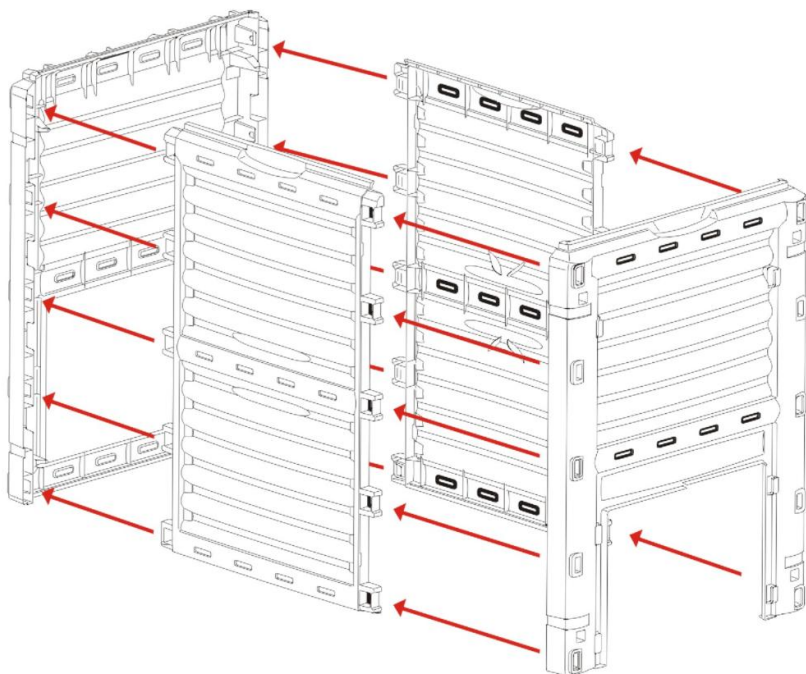
**Warning - Please keep plastic and small spare parts out of children's reach. The thin film may cling to nose and mouth and prevent breathing**

**PART LIST:**

Item No	Parts	Qty
<b>A</b>		<b>2</b>
<b>B</b>		<b>1</b>
<b>C</b>		<b>1</b>
<b>D</b>		<b>1</b>
<b>E</b>		<b>1</b>

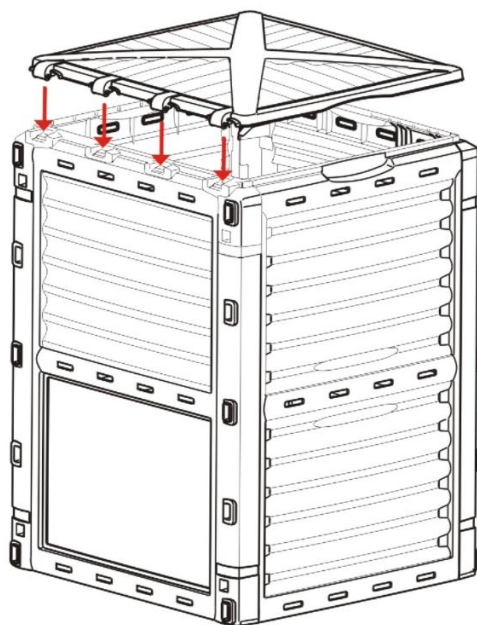
# ASSEMBLE:

**STEP1**



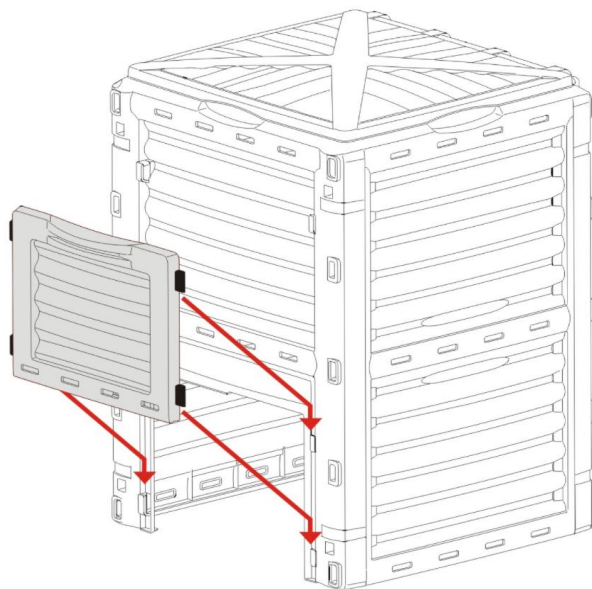
**A\*2**  
**B\*1**  
**C\*1**

**STEP2**



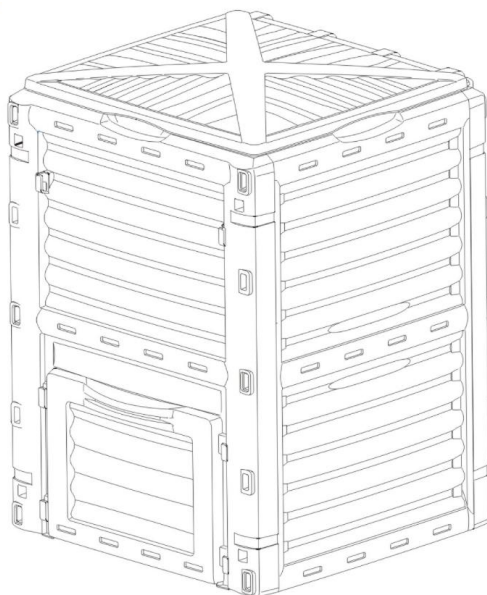
**D\*1**

**STEP3**



**E\*1**

**STEP4**



Manufacturer: Shanghaimuxinmuyeyouxiangongsi

Address: Shuangchenglu 803nong11hao1602A-1609shi, baoshanqu,  
shanghai 200000 CN.

EC REP: E-CrossStu GmbH.

Mainzer Landstr.69, 60329 Frankfurt am Main.

UK REP: YH CONSULTING LIMITED.

C/O YH Consulting Limited Office 147, Centurion House, London Road,  
Staines-upon-Thames, Surrey, TW18 4AX

Imported to AUS: SIHAO PTY LTD.

1 ROKEVA STREETEASTWOOD NSW 2122 Australia

Imported to USA: Sanven Technology Ltd.

Suite 250, 9166 Anaheim Place, Rancho Cucamonga, CA 91730

**VEVOR<sup>®</sup>**

**TOUGH TOOLS, HALF PRICE**

**Technical Support and E-Warranty Certificate**

**[www.vevor.com/support](http://www.vevor.com/support)**