

## MECHANICAL KEYLESS DOOR LOCK

### USER MANUAL

MODEL: OL-209D2-BY-B-01  
OL-209S2-BY-C-01  
OL-209D2-BB-C-03  
OL-209S2-BY-C-07  
OL-209S2-BB-C-03

We continue to be committed to provide you tools with competitive price. "Save Half", "Half Price" or any other similar expressions used by us only represents an estimate of savings you might benefit from buying certain tools with us compared to the major top brands and does not necessarily mean to cover all categories of tools offered by us. You are kindly reminded to verify carefully when you are placing an order with us if you are actually saving half in comparison with the top major brands.

MODEL: OL-209D2-BY-B-01/OL-209S2-BY-C-01/OL-209D2-BB-C-03/  
OL-209S2-BY-C-07/OL-209S2-BB-C-03



(The picture is for reference only; please refer to the actual object)

### NEED HELP? CONTACT US!

Have product questions? Need technical support? Please feel free to contact us:

Technical Support and E-Warranty Certificate  
[www.vevor.com/support](http://www.vevor.com/support)

This is the original instruction, please read all manual instructions carefully before operating. VEVOR reserves a clear interpretation of our user manual. The appearance of the product shall be subject to the product you received. Please forgive us that we won't inform you again if there are any technology or software updates on our product.

### Safety instruction and precautions

#### WARNING:

Read this material before using this product. Failure to do so can result in serious injury.

#### Assembly precautions:

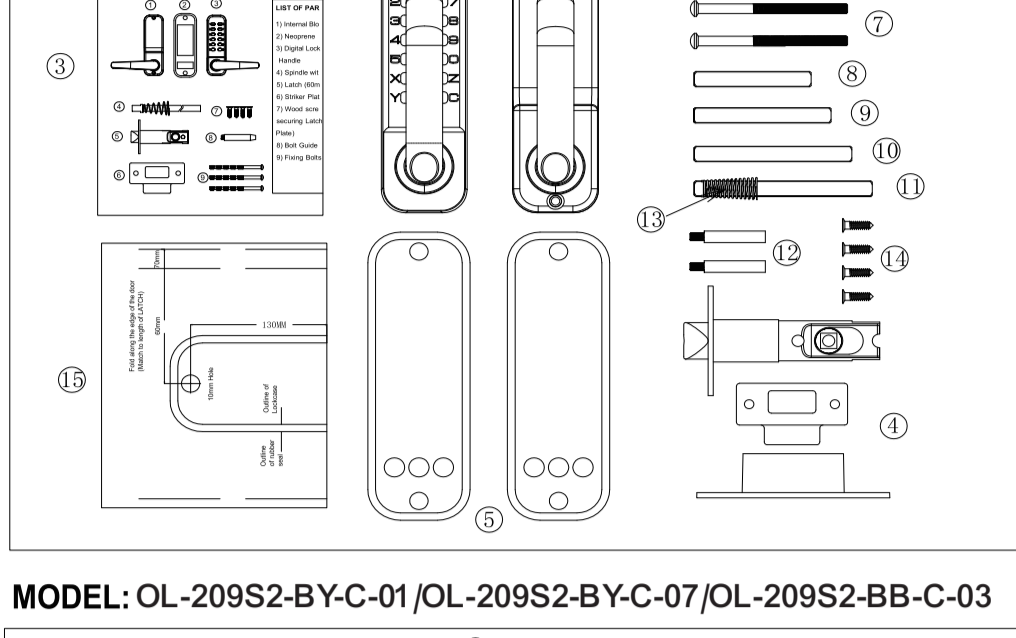
- 1) Assemble all according to these instructions. Improper assembly can create hazards.
- 2) Wear ANSI-approved safety goggles and heavy-duty work gloves during assembly.
- 3) Keep assembly area clean and well lit.
- 4) Keep bystanders out of the area during assembly.

#### NOTE:

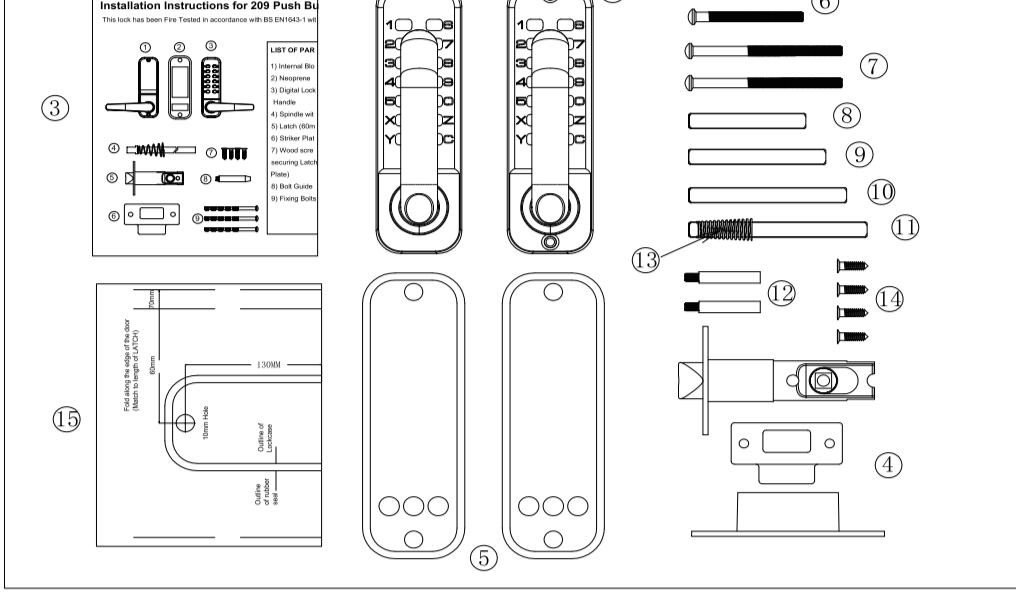
1. Recommended password length is 4-6 digits.
2. Press the C key to reset before entering your password.
3. The password does not need to be entered in sequence.
4. Changing the password requires disassembly and replacement.

1. Front panel x 1
2. Rear panel x 1
3. Manual x 1
4. Door fastening plate x 1 set
5. Widened protection rubber mat (160x65mm) x 2 pieces
6. Mounting screws M4x40mm x 2 pcs.
7. Mounting screws M4x50mm x 2 pcs.
8. Mounting spindle (square root) 63mm x 1 pc.
9. Mounting spindle (square root) 71mm x 1 pc.
10. Mounting spindle (square root) 79mm x 1 pc.
11. Mounting spindle (square root) 79mm x 1 pc.
12. Solid stud (M5xM4x40mm) x 2 pcs.
13. Spring x 1
14. Cross-slot flat head self-tapping screws (Phillips wood screws) x 4
15. Assisted installation drilling sticker x 1

MODEL: OL-209D2-BY-B-01/OL-209D2-BB-C-03



MODEL: OL-209S2-BY-C-01/OL-209S2-BY-C-07/OL-209S2-BB-C-03



#### Before installation, please:

- 1) Make sure all parts are working properly
- 2) Set or change the password  
"Setting/Changing Passwords"  
The passwords set are in no order and cannot be repeated. Setting a 4-digit code is the most secure.
- 3) Ensure that the door lock can be used normally after setting the code  
Insert the square stem into the square hole of the lock cylinder and turn the square stem.  
The latch can be normally extended and retracted.

#### Setting/Changing Passwords

- 1) On the back of the lock body with numeric buttons, you will see the knob with slots, the point direction towards the center  
This position is no password status. (See figure 1A)
- 2) "If you want to set a button as the password, gently push down the button with a slotted screwdriver and rotate it 180 degrees so that the dot aligns with a number. This button will then become the password. The dot should point outward towards 'G' (see figure 1B)
- 3) "To cancel a password, gently push down the button with a slotted screwdriver and rotate it 180 degrees so that the dot faces the center of the lock body (pointing towards 'F')."

Before installing in the door, remember the password you have set.

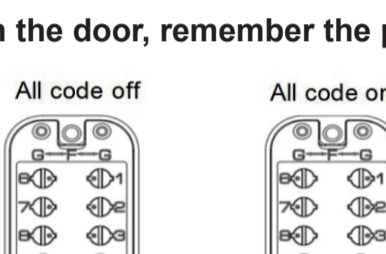


FIG 1A

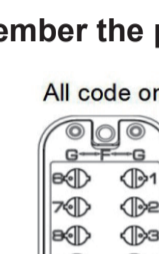


FIG 1B

#### Installation

- 1) Correctly position and affix the template (Model 209 product template) to the surface of the internal door Required height off the floor. Ensure that the relevant, marked, door edge alignment template should be properly aligned with the actual door edge. (see figure 2)
- 2) The 10mm diameter holes in the product template are for the square stem spindle holes and the two 7mm diameter holes are for the bolt holes that secure the front and rear panels.

#### Door edge

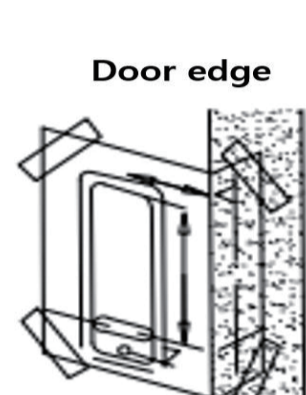
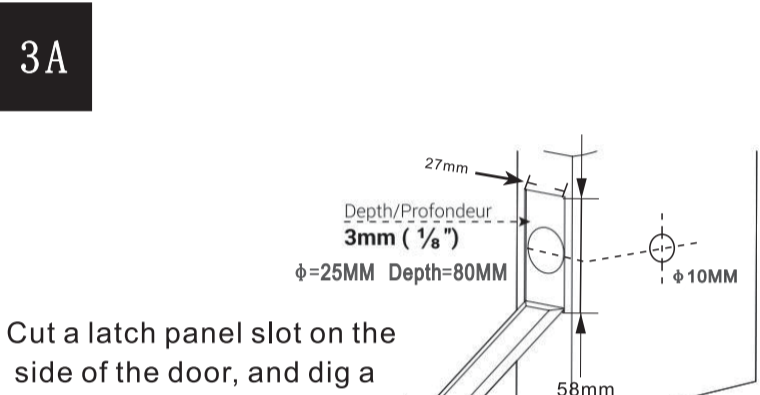


FIG 2

#### Lock Core Installation:

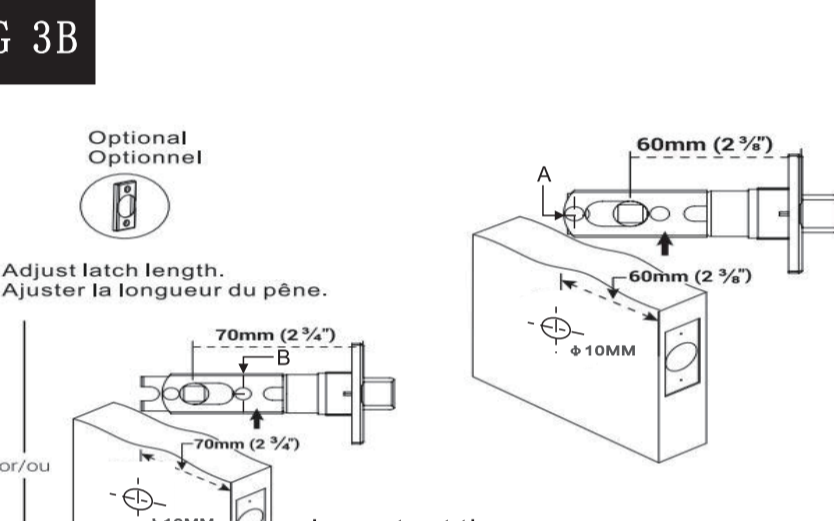
- 1) Mark a center point on the "Latch Center Line". (see figure 3)
- 2) Drill a hole 25 mm in diameter and 80 mm deep at the marked location.
- 3) Insert the lock core into the drilled hole, then insert the square spindle into the square hole of the lock core and tighten it.
- 4) Drill two small holes, 3mm in diameter, on the lock core installation hole.
- 5) Secure the latch with phillips wood screws to ensure correct positioning.
- 6) Refer to the values on the top of the lock cylinder in Figure 4 to adjust the size, 60mm for the front push, 70mm for the back pull.

FIG 3A



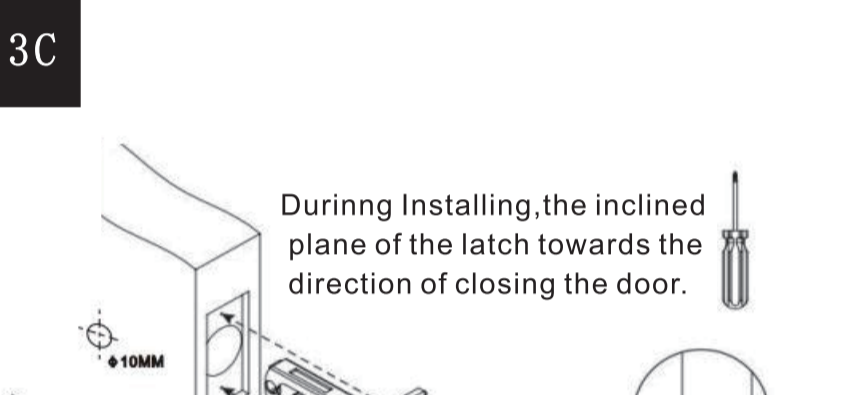
Cut a latch panel slot on the side of the door, and dig a latch mounting hole on the side of the door.

FIG 3B



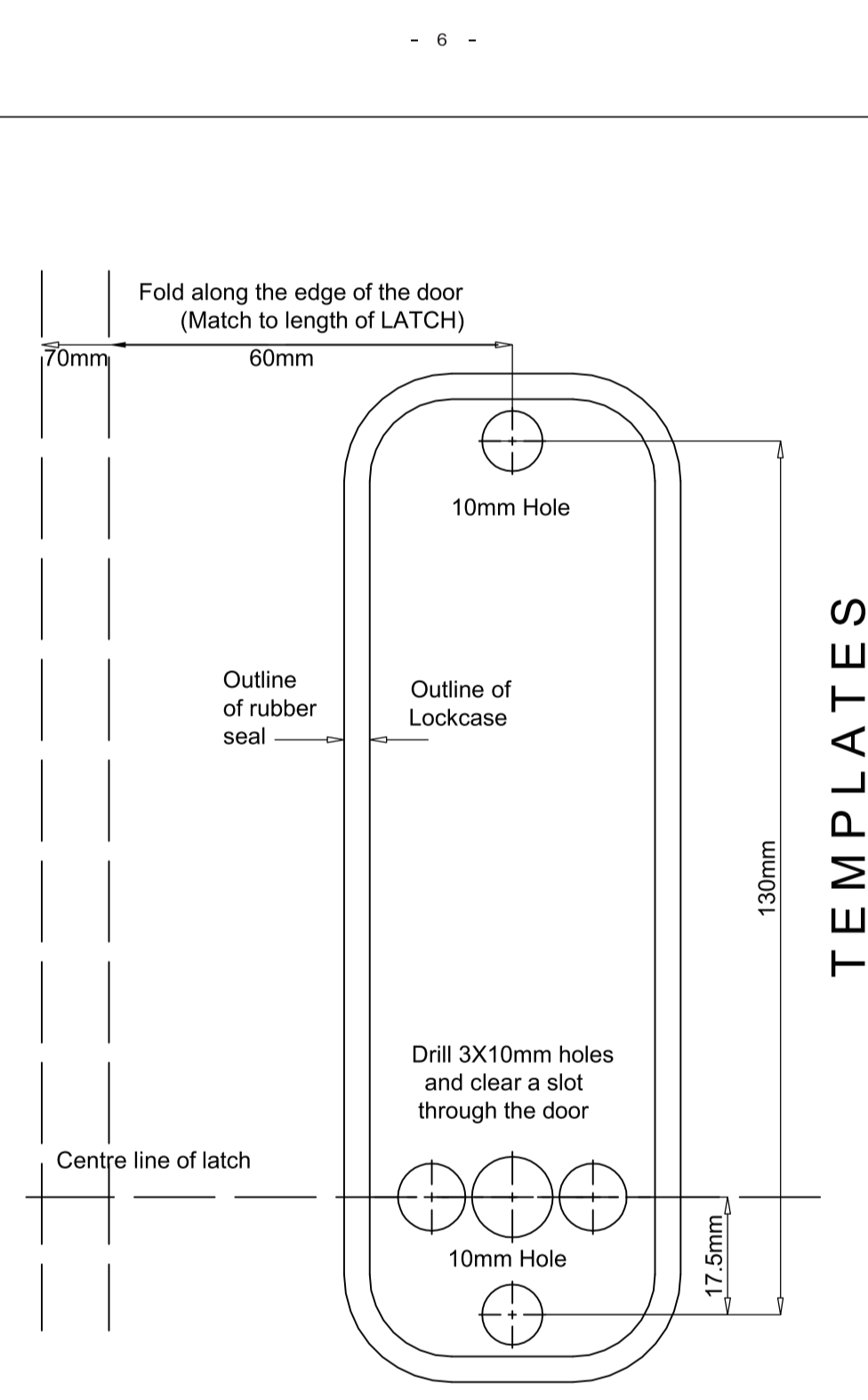
**Important tips:**  
The lock tongue factory default is 60mm. If you need to be adjusted to 70mm, please remove the hole of screw A and pull the square hole to the 70mm position, and then install the positioning screw in the B hole position.

FIG 3C



During Installing, the inclined plane of the latch towards the direction of closing the door.

The direction of closing the door



### TEMPLATES

#### Handle Adjustment

- 1) After opening the packaging, locate the handles above the lock body. When adjusting the handle direction, first confirm whether the door opens to the left or right.
- 2) Loosen the lock body bolts with a phillips screwdriver (see figure 4A) to remove the handle from the lock body.
- 3) Adjust the handle to the desired direction for door usage (left or right opening) (see figure 4B/C), then tighten the bolts.
- 4) Insert the square spindle into the square spindle hole and turn the square spindle so that the triangular arrow on the spindle sleeve faces toward the handle.

#### Open the door on the right

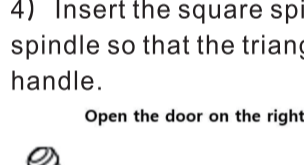


FIG 4A

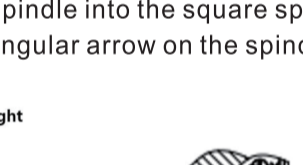


FIG 4B

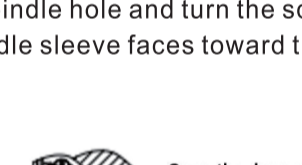


FIG 4C

Open the door on the left

Open the door on the right

Open the door on the left

#### Installation and debugging

- 1) First, screw the installation screws into the screw holes of the front password lock. Then, choose the corresponding size of the drive shaft and install the fixing screws based on the thickness of the door.
- 2) The default size of the drive shaft (8x8) is designed for door thicknesses ranging from 35mm to 65mm. If necessary, trim the drive shaft or adjust the length of the installation screws to fit the door thickness.
- 3) Insert one end of the drive shaft with a spring into the square hole of the front door lock (as shown in figure 5), and insert the other end into the square hole of the back door lock. Use the included gasket and installation screws for installation.
- 4) Before tightening the installation screws, ensure that the lock is vertical and test the unlocking function to ensure proper operation. Then, tighten the fixing screws to complete the installation.
- 5) Important note: Do not close the door until you have confirmed that the important note: Do not close the door until you have confirmed that the door lock and seals to prevent damage to the mechanism.

- 6) If necessary, shorten the screw length according to the thickness of the door
- 7) When shortening the screw, allow at least 4-5 threads to screw into the lock body.
- 8) Place the rubber pad behind the mechanical lock and fix the top and bottom of the lock with fixing screws.
- 9) Before tightening the screws, ensure that the mechanical lock panel is vertical, and test the unlocking function to ensure that it can open and close normally.
- 10) Do not internal the fixing screws too tightly to avoid damaging the internal mechanism and affecting the operation of the lock.

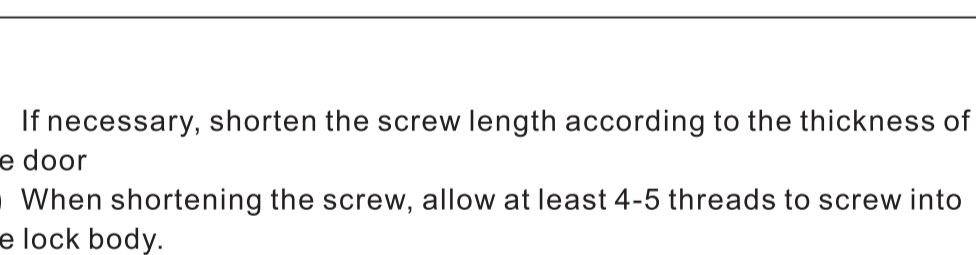


FIG 5A

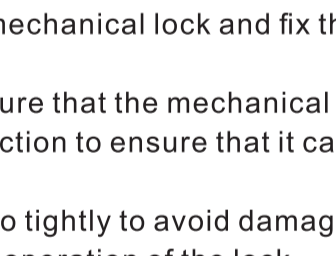


FIG 5B

No.	Model	Photo	The thickness of the door	Solid stud	Screw	Square spindle
1	OL-209D2-BY-B-01 OL-209D2-BB-C-03		35mm-42mm	(M5xM4x40mm) x 2	M4x40 x 2	55mm x 1
			43mm-50mm		M4x50 x 2	63mm x 1
			51mm-58mm		M4x50 x 2	71mm x 1
2	OL-209S2-BY-C-01 OL-209S2-BY-C-07 OL-209S2-BB-C-03		59mm-65mm	(M5xM4x40mm) x 2	M4x50 x 2	79mm x 1
			35mm-42mm		M4x40 x 2	63mm x 1
			43mm-50mm		M4x40 x 2	63mm x 1
			51mm-58mm		M4x50 x 2	71mm x 1
			59mm-65mm		M4x50 x 2	79mm x 1

#### Door frame fastening plate, box, fixing

- 1) Important Note: The installed fastening plate must be positioned so that the lock core can enter the hole.
- 2) Taking the above into account, the door frame fastening plate must be correctly placed.
- 3) Once the correct position has been determined, draw lines around the fastening plate and around the two hole positions to mark them.
- 4) Remove the fastening plate, align the two hole locations of the box with the two hole locations where the marks were left, and draw marked lines along the perimeter of the box.
- 5) Remove the box.
- 6) Make a square hole along the line about the size of the box, about 12mm deep, so that the box can be put down easily. Open a square hole about 1mm deep.
- 7) The square holes for the fasteners will allow the front fasteners to fit snugly in the door frame.

FIG 6A

Locate the latch box mounting hole positions on the door frame and draw the hole sizes on the door frame

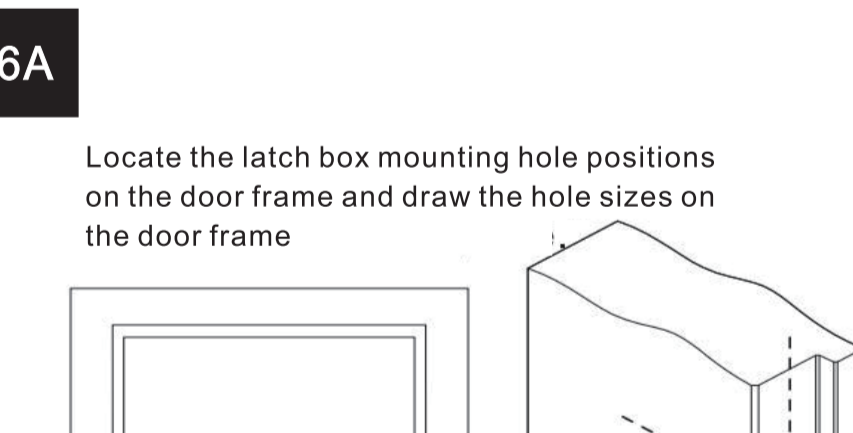
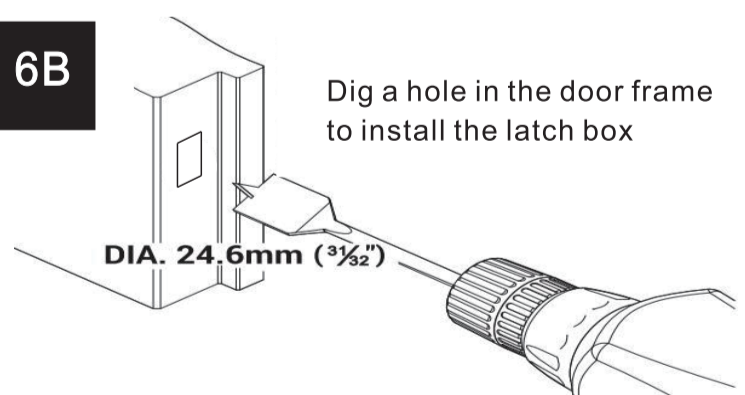
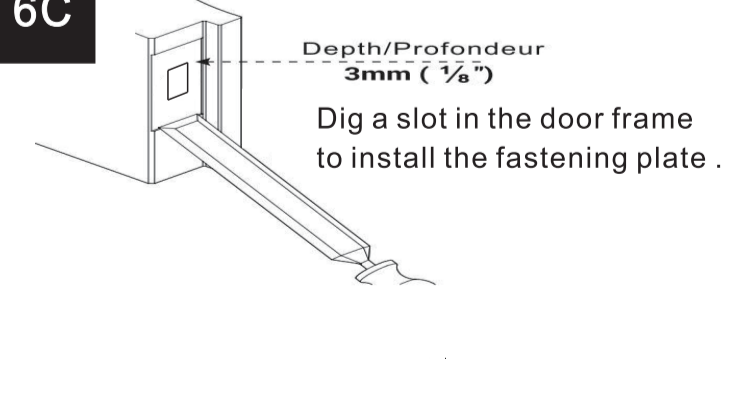


FIG 6B



Dig a hole in the door frame to install the latch box

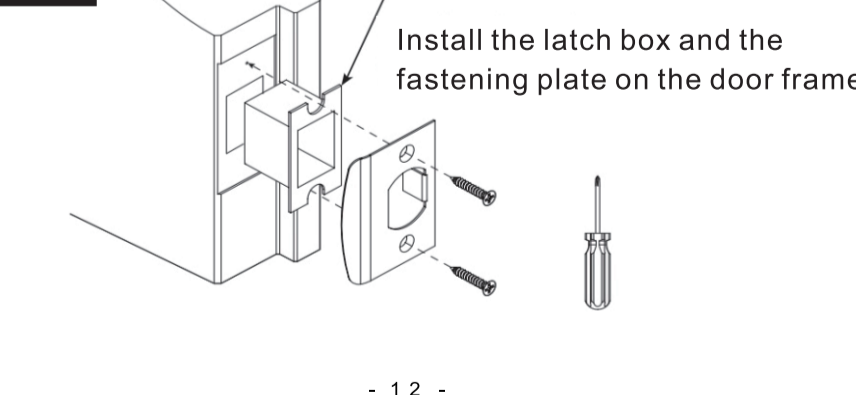
FIG 6C



Depth/Profondeur 3mm (1/8")

Dig a slot in the door frame to install the fastening plate.

FIG 6D



Optional Optionnel

Install the latch box and the fastening plate on the door frame

#### Setting or cancelling the always-open mode (After setting the always-open mode, the door can be opened directly by turning the handle without entering a password)

First, enter the correct password, press down the handle and hold down the Y key at the same time, release the handle first and then release the Y key, and the always-open mode is set. Cancel always-open mode: Hold down the C key, press down on the handle, and the always-open mode will be canceled.

Manufacturer: Shanghai muxin mu yue you xiangong si

Address: Shuangchenglu 803nong1thao1602A-1609shi, baoshanqu, shanghai 200000 CN.

Imported to AUS: SIHAO PTY LTD. 1 ROKEVA STREET EASTWOOD NSW 2122 Australia

Imported to USA: Sanven Technology Ltd. Suite 250, 9166 Anaheim Place, Rancho Cucamonga, CA 91730

EC REP E-CrossStu GmbH  
Mainzer Landstr.69, 60329 Frankfurt am Main.

UK REP YH CONSULTING LIMITED.  
C/O YH Consulting Limited Office 147, Centurion House,  
London Road, Staines-upon-Thames, Surrey, TW18 4AX