

VEVOR[®]

TOUGH TOOLS, HALF PRICE

Technical Support and E-Warranty Certificate www.vevor.com/support

GARAGE WALL SHELVING

MODEL: LL1248

We continue to be committed to provide you tools with competitive price.

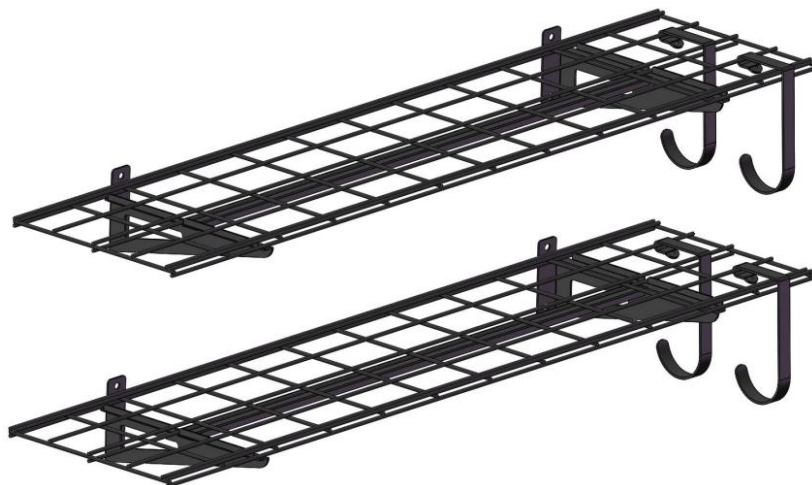
"Save Half", "Half Price" or any other similar expressions used by us only represents an estimate of savings you might benefit from buying certain tools with us compared to the major top brands and does not necessarily mean to cover all categories of tools offered by us. You are kindly reminded to verify carefully when you are placing an order with us if you are actually saving half in comparison with the top major brands.

VEVOR®

TOUGH TOOLS, HALF PRICE

GARAGE WALL SHELVING

MODEL:LL1248



NEED HELP? CONTACT US!

Have product questions? Need technical support? Please feel free to contact us:

Technical Support and E-Warranty Certificate
www.vevor.com/support

This is the original instruction, please read all manual instructions carefully before operating. VEVOR reserves a clear interpretation of our user manual. The appearance of the product shall be subject to the product you received. Please forgive us that we won't inform you again if there are any technology or software updates on our product.

SAFETY INSTRUCTIONS

WARNING:This product contains small parts. If swallowed, it will pose a choking hazard. Keep these small parts away from children !

1. Before installation, take protective measures to avoid personal injury!



EYE PROTECTION FOOT PROTECTION DUST MASK PROTECTION WEAR

2. The product must be installed on a wooden or concrete wall. Before installation, ensure that the bearing capacity of the wall does not exceed the maximum bearing capacity ! Please strengthen the structure of the wall in time to consolidate the bearing capacity of the wall ! Otherwise, the product may be damaged or personal injury may occur !

3. This product is for indoor use only. Outdoor use may cause product damage or personal injury.

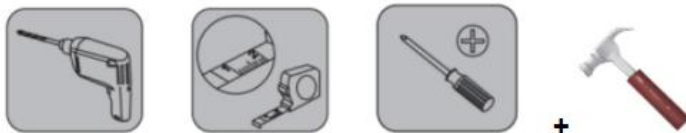
4. Please check and confirm whether the screws are loose every two months.

5. At least two people to complete the installation.

6. Ensure that you have read the instructions and fully understood how to install. If you do not understand any of the installation steps, contact a professional installation personnel.

7. Do not overload ! Maximum capacity : **200 lbs** /per layer (**evenly distributed**)

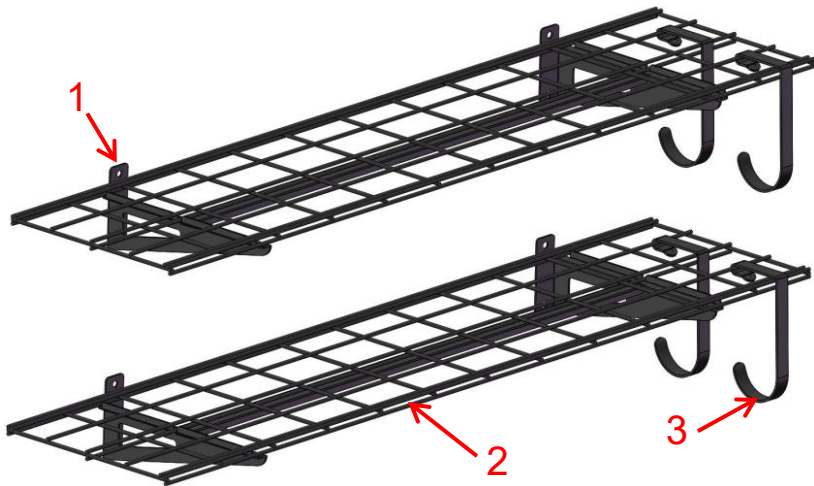
Installation Preparation:



MODEL AND PARAMETERS

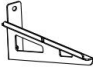
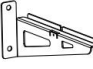




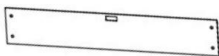







Model	LL1248
Number of Layers	2
Shelving Surface Size	48x12 inch
Maximum Bearing Capacity	200 lbs /per layer (400lbs in total)
Material	Steel
Color	Black

STRUCTURE DIAGRAM



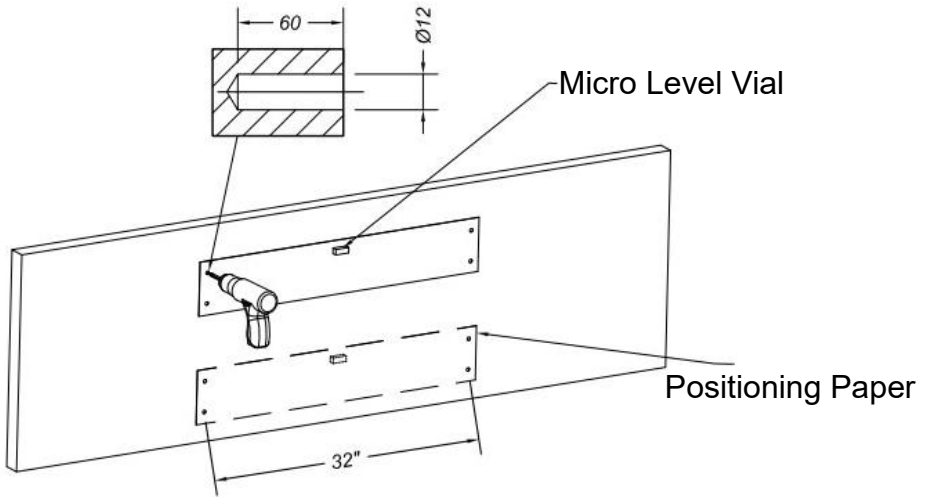
1.Brackets 2.Shelf 3.Hooks

COMPONENTS

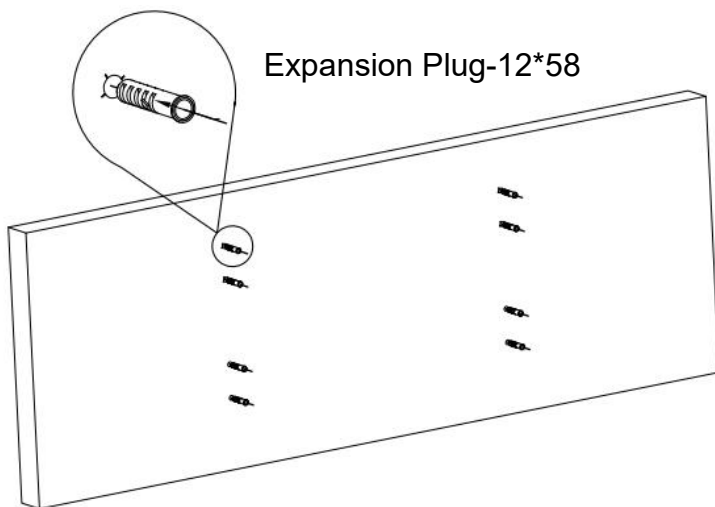
No.	Picture	Name	Qty
1		Left Bracket	2
2		Right Bracket	2
3		Shelf	2
4		Beam	2
5		Hook	4
6		L-shaped Wrench	1
7		Positioning Paper	1
8		Micro Level Vial	1
9		Expansion Plug-12*58	8
10		Washer-8.5	8
11		Hexagon Self-tapping Screw-8*60	8
12		Cable Ties-12*250	8
13		Bolt-M4*8	4
14		User Manual	1

ASSEMBLY

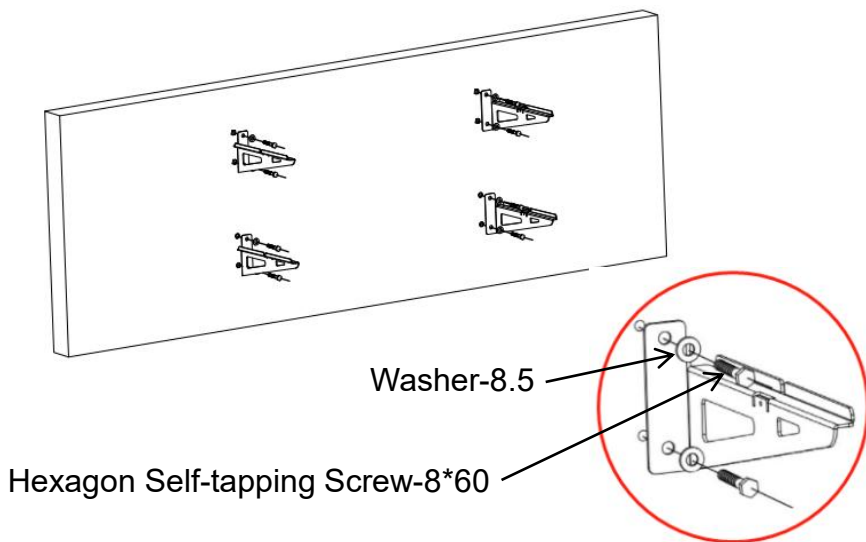
STEP 1-A : Installation on Solid Concrete Walls



1. Paste the positioning paper to the appropriate height, glue the Micro level vial to adjust the level, and then use the jackhammer to lightly drill out the anchor points.
2. Remove the positioning paper and drill holes ($\text{Ø} 12 \times 60 \text{mm}$) into the wall. (The positioning paper should be reused 2 times.)

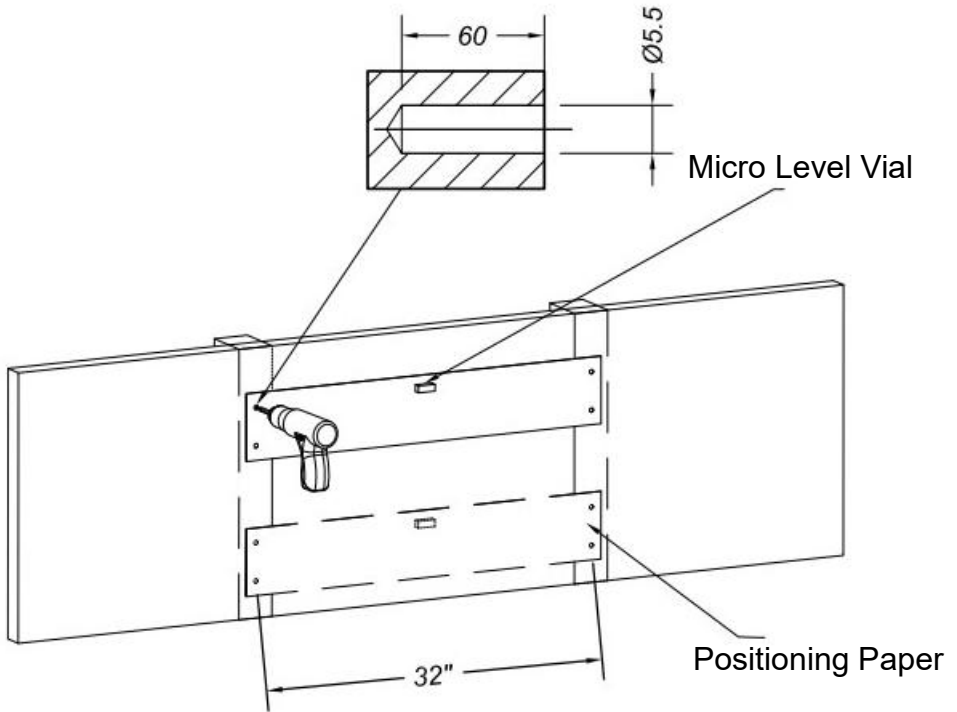


3. After clearing the residual soil in the hole, tap the expansion plug into the hole completely.

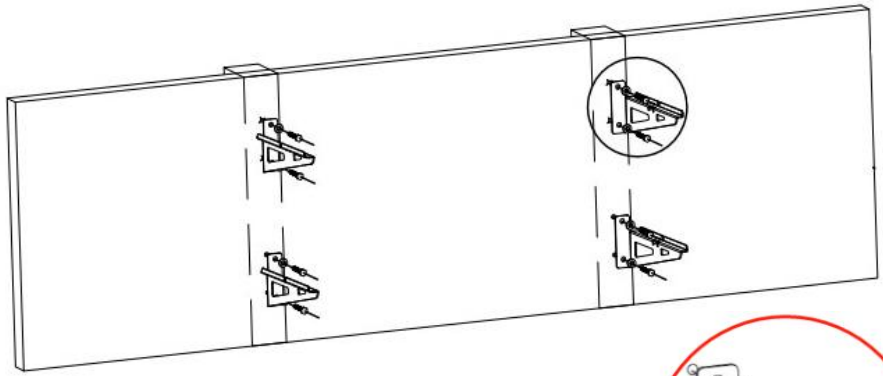


4. Install and fix the left and right bracket. The screw must be screwed in completely and press tightly !

STEP 1-B : Installation on Wooden Wall Post

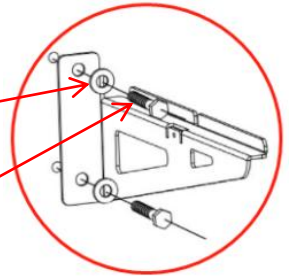


1. Paste the positioning paper to the appropriate height, glue the Micro level vial to adjust the level, and then use the jackhammer to lightly drill out the anchor points.
2. Remove the positioning paper and drill holes ($\text{Ø}5.5 \times 60 \text{mm}$) into the wall. (The positioning paper should be reused 2 times.)



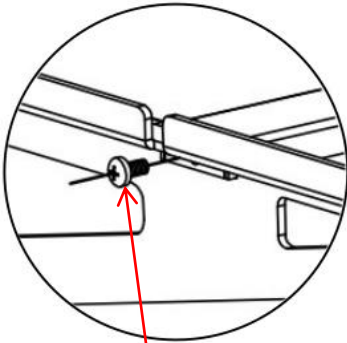
Washer-8.5

Hexagon Self-tapping Screw-8*60

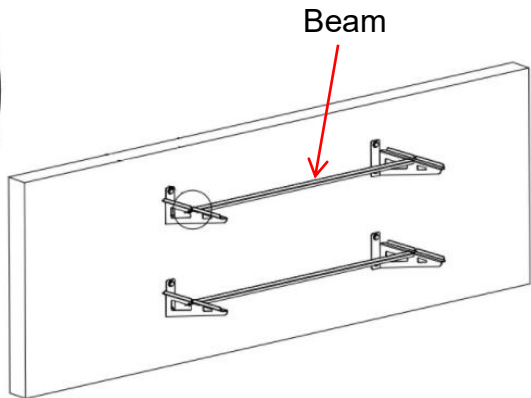


3. Install and fix the left and right bracket. The screw must be screwed in completely !

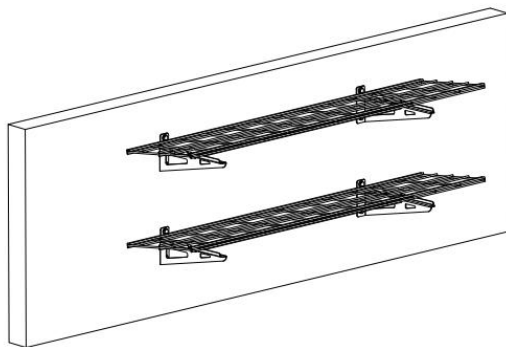
STEP 2 : Mounting The Beam



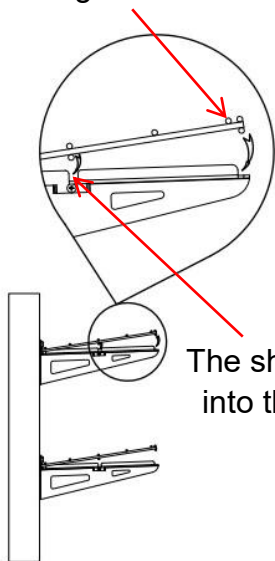
Bolt-M4*8



STEP 3 : Installation of The Shelf

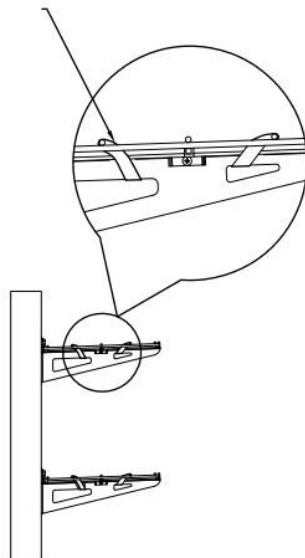


The working face faces up.

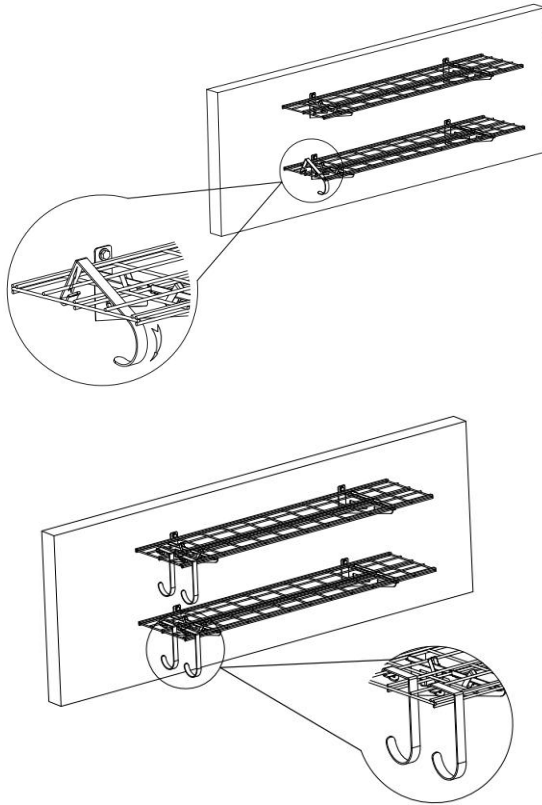


The shelf is stuck into the card slot.

Use 2 cable ties to fix the grid and bracket.



STEP 4 : Mounting Hook



MAINTENANCE

1. Do not overload.
2. Please try to avoid putting wet items on shelves. Keep the warehouse not too wet.
3. Please check and confirm whether the screws are loose every two months.
4. Dust off regularly with a clean rag, and arrange items neatly on shelves.

VEVOR[®]
TOUGH TOOLS, HALF PRICE

Technical Support and E-Warranty Certificate
www.vevor.com/support

VEVOR[®]

TOUGH TOOLS, HALF PRICE

Assistance technique et certificat de garantie électronique

www.vevor.com/support

ÉTAGÈRE MURALE DE GARAGE

MODÈLE: LL1248

We continue to be committed to provide you tools with competitive price.

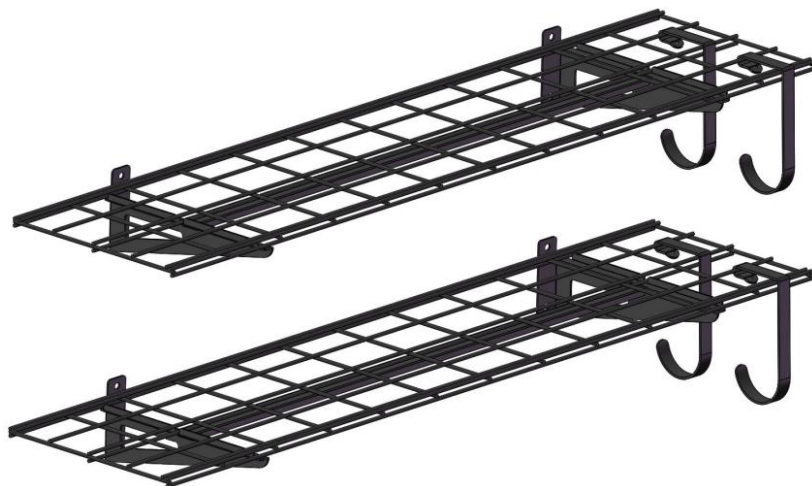
"Save Half", "Half Price" or any other similar expressions used by us only represents an estimate of savings you might benefit from buying certain tools with us compared to the major top brands and does not necessarily mean to cover all categories of tools offered by us. You are kindly reminded to verify carefully when you are placing an order with us if you are actually saving half in comparison with the top major brands.

VEVOR[®]

TOUGH TOOLS, HALF PRICE

GARAGE WALL SHELVING

MODÈLE : LL1248



NEED HELP? CONTACT US!

Have product questions? Need technical support? Please feel free to contact us:

Technical Support and E-Warranty Certificate
www.vevor.com/support

This is the original instruction, please read all manual instructions carefully before operating. VEVOR reserves a clear interpretation of our user manual. The appearance of the product shall be subject to the product you received. Please forgive us that we won't inform you again if there are any technology or software updates on our product.

SAFETY INSTRUCTIONS

ATTENTION : Ce produit contient de petites pièces. En cas d'ingestion, il y a un risque d'étouffement. Gardez ces petites pièces hors de portée des enfants !

7. Avant l'installation, prenez des mesures de protection pour éviter les blessures corporelles !



PROTECTION DES YEUX PROTECTION DES PIEDS MASQUE DE PROTECTION CONTRE LA
POUSSIÈRE

8. Le produit doit être installé sur un mur en bois ou en béton. Avant l'installation, assurez-vous que la capacité portante du mur ne dépasse pas la capacité portante maximale ! Veuillez renforcer la structure du mur à temps pour consolider la capacité portante du mur ! Dans le cas contraire, le produit pourrait être endommagé ou des blessures corporelles pourraient survenir !

9. Ce produit est destiné à une utilisation en intérieur uniquement. Une utilisation en extérieur peut endommager le produit ou entraîner des blessures corporelles.

10. Veuillez vérifier et confirmer si les vis sont desserrées tous les deux mois.

11. Au moins deux personnes pour terminer l'installation .

12. Assurez-vous d'avoir lu les instructions et d'avoir parfaitement compris les étapes d'installation. Si vous ne comprenez pas l'une des étapes d'installation, contactez un installateur professionnel.

7. Ne pas surcharger ! Capacité maximale : **200 lb / par couche (uniformément répartie)**

Préparation de l'installation :



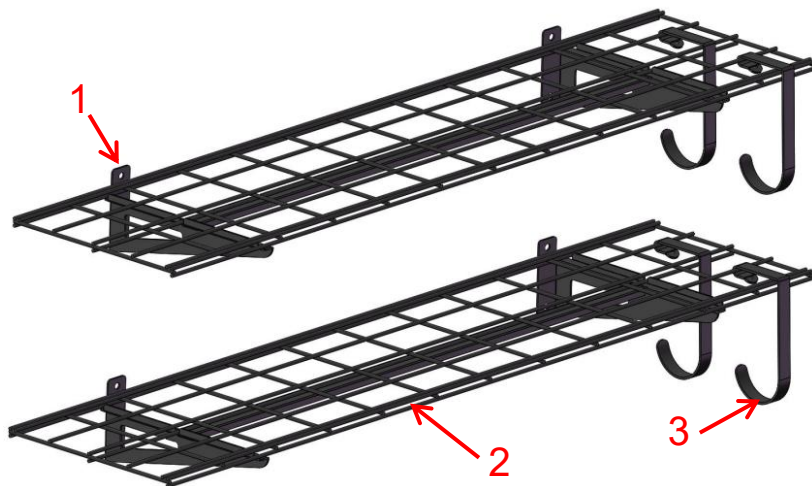
+



MODEL AND PARAMETERS


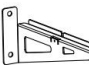




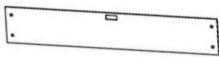
Modèle	LL1248
Nombre de couches	2
Taille de la surface de l'	48x12 pouces
Capacité de charge	200 lb/par couche (400 lb au total)
Matériel	Acier
Couleur	Noir

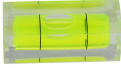






STRUCTURE DIAGRAM



1. Supports 2. Étagère 3. Crochets

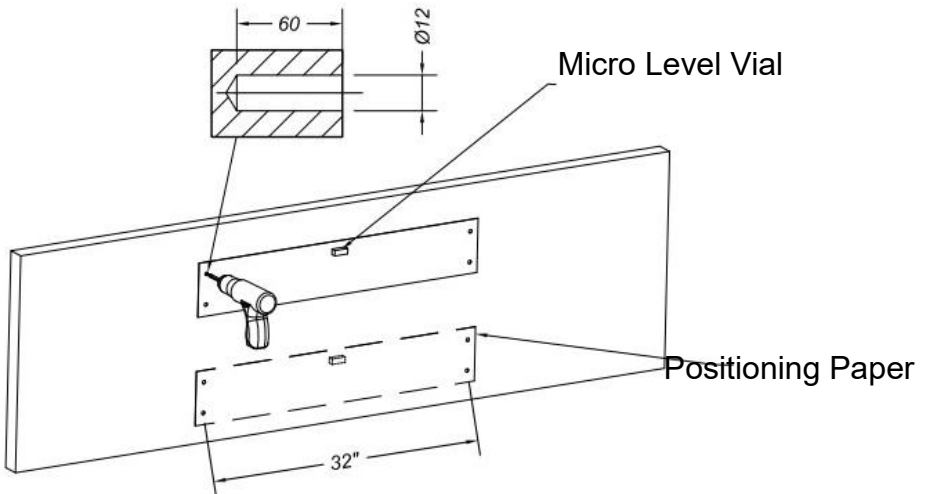
COMPONENTS

Non	Image	Nom	Qua
1		Support gauche	2
2		Support droit	2
3		Étagère	2
4		Faisceau	2
5		Crochet	4
6		Clé en L	1
7		Papier de positionnement	1

8		Flacon de niveau micro	1
9		Bouchon d'extension -12 *58	8
10		Rondelle-8.5	8
11		Vis autotaraudeuse à six pans creux	8
12		Câble Cravate s -12*250	8
13		Boulon -M4* 8	4
14		Manuel d'utilisation	1

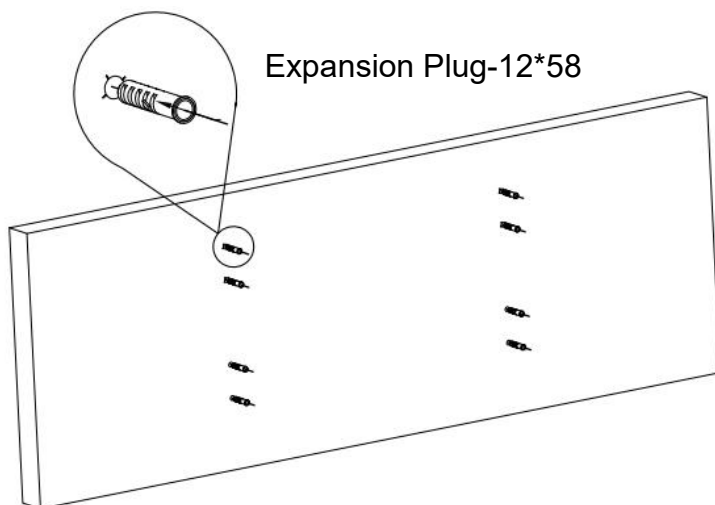
ASSEMBLY

ÉTAPE 1-A : Installation sur des murs en béton massif

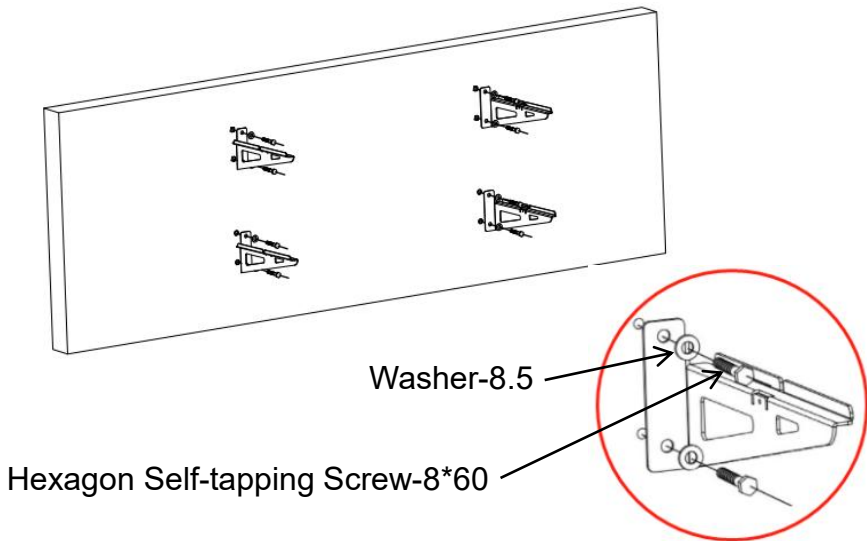


5. Collez le papier de positionnement à la hauteur appropriée, collez le flacon de niveau Micro pour ajuster le niveau, puis utilisez le marteau-piqueur pour percer légèrement les points d'ancrage .

6. Retirez le papier de positionnement et percez des trous (Φ 12x60mm) dans le mur. (Le papier de positionnement doit être réutilisé 2 fois.)

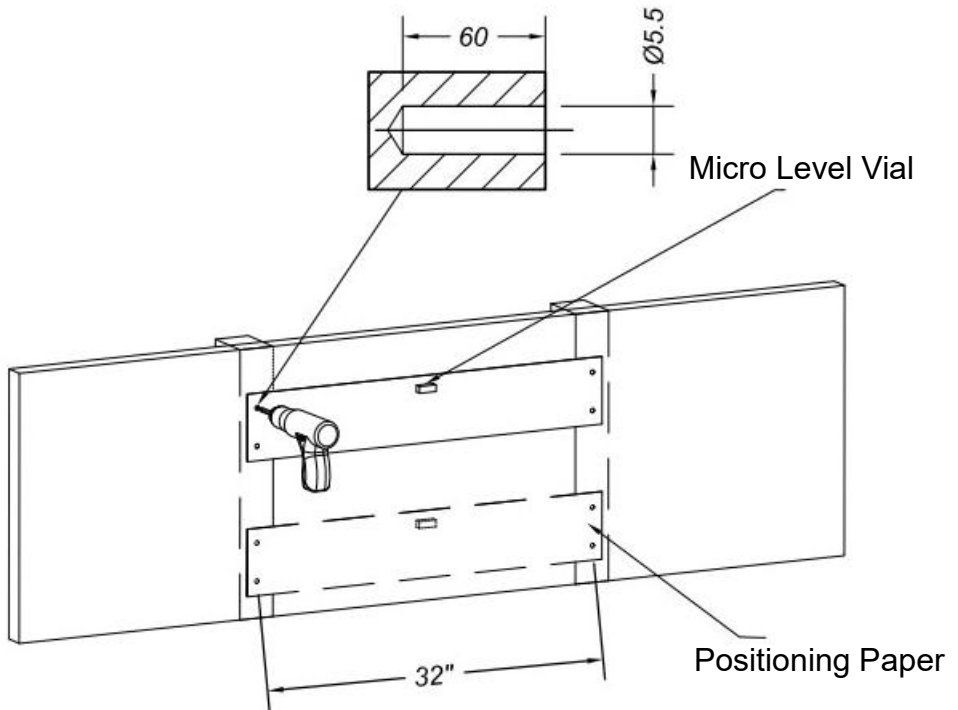


7. Après avoir enlevé le sol résiduel dans le trou, enfoncez complètement le bouchon d'expansion dans le trou.



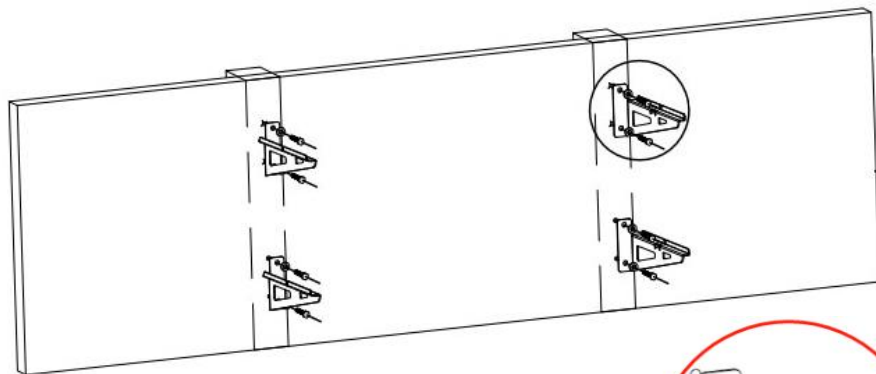
8. Installez et fixez les supports gauche et droit. La vis doit être vissée à fond et bien serrée !

ÉTAPE 1-B : Installation sur poteau mural en bois



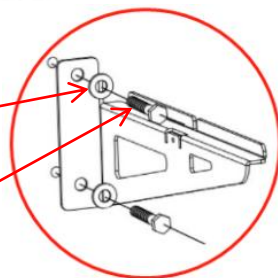
4. Collez le papier de positionnement à la hauteur appropriée, collez le flacon de niveau Micro pour ajuster le niveau, puis utilisez le marteau-piqueur pour percer légèrement les points d'ancrage .

5. Retirez le papier de positionnement et percez des trous (Φ 5,5x60 mm) dans le mur. (Le papier de positionnement doit être réutilisé 2 fois.)



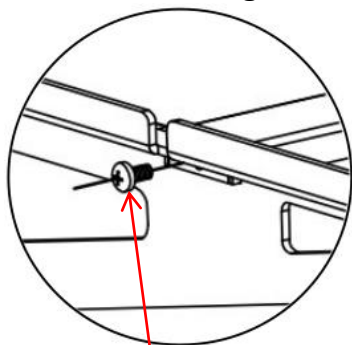
Washer-8.5

Hexagon Self-tapping Screw-8*60

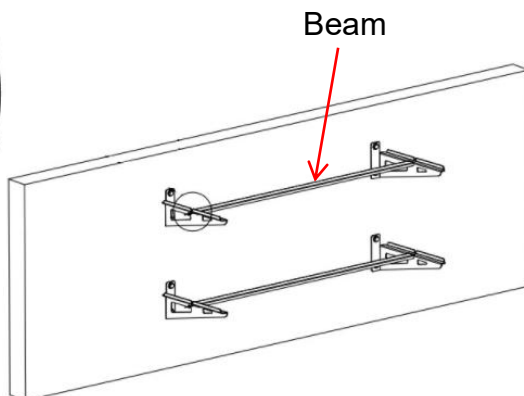


6. Installer et fixer les supports gauche et droit. La vis doit être vissée à fond !

ÉTAPE 2 : Montage de la poutre

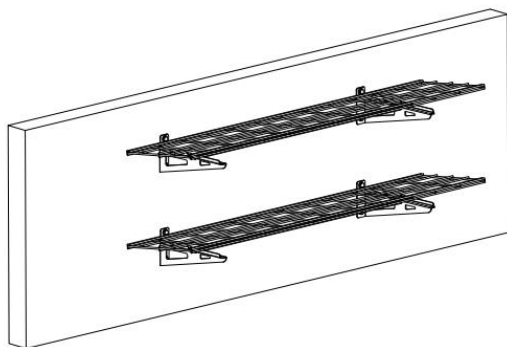


Bolt-M4*8

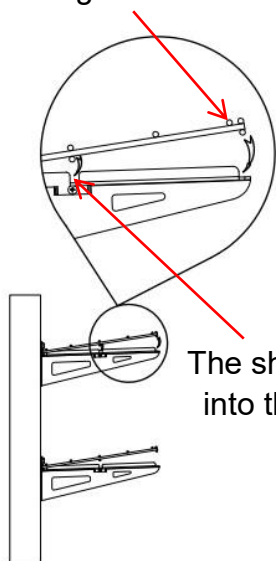


Beam

ÉTAPE 3 : Installation de l'étagère

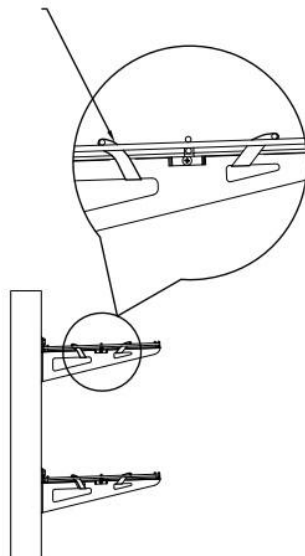


The working face faces up.

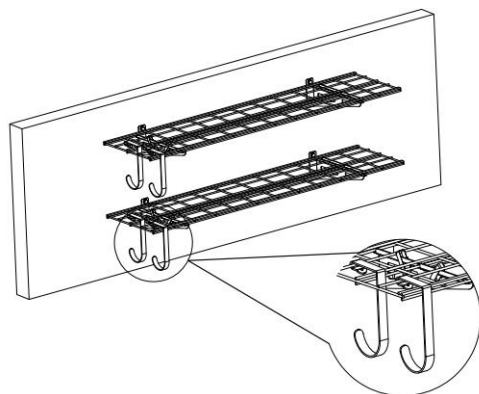
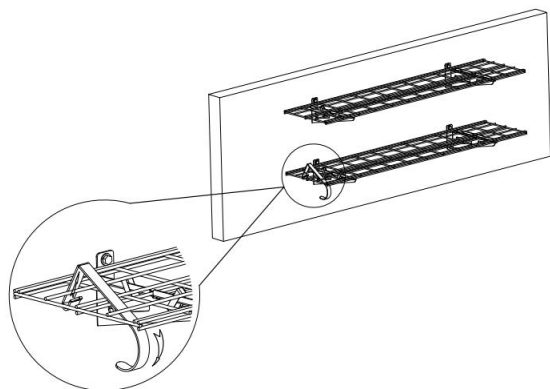


The shelf is stuck into the card slot.

Use 2 cable ties to fix the grid and bracket.



ÉTAPE 4 : Crochet de montage



MAINTENANCE

5. Ne pas surcharger.
6. Veuillez éviter de mettre des objets mouillés sur les étagères. Veillez à ce que l'entrepôt ne soit pas trop humide .
7. Veuillez vérifier et confirmer si les vis sont desserrées tous les deux mois.
8. Dépoussiérez régulièrement avec un chiffon propre et rangez soigneusement les objets sur les étagères .

VEVOR[®]
TOUGH TOOLS, HALF PRICE

Technique Certificat d'assistance et de garantie électronique
www.vevor.com/support

VEVOR[®]

TOUGH TOOLS, HALF PRICE

Technischer Support und E-Garantie-Zertifikat www.vevor.com/support

GARAGENWANDREGALE

MODELL: LL1248

We continue to be committed to provide you tools with competitive price.

"Save Half", "Half Price" or any other similar expressions used by us only represents an estimate of savings you might benefit from buying certain tools with us compared to the major top brands and does not necessarily mean to cover all categories of tools offered by us. You are kindly reminded to verify carefully when you are placing an order with us if you are actually saving half in comparison with the top major brands.

VEVOR®

TOUGH TOOLS, HALF PRICE

GARAGE WALL SHELVING

MODELL: LL1248



NEED HELP? CONTACT US!

Have product questions? Need technical support? Please feel free to contact us:

Technical Support and E-Warranty Certificate
www.vevor.com/support

This is the original instruction, please read all manual instructions carefully before operating. VEVOR reserves a clear interpretation of our user manual. The appearance of the product shall be subject to the product you received. Please forgive us that we won't inform you again if there are any technology or software updates on our product.

SAFETY INSTRUCTIONS

ACHTUNG : Dieses Produkt enthält Kleinteile. Bei Verschlucken besteht Erstickungsgefahr. Bewahren Sie diese Kleinteile außerhalb der Reichweite von Kindern auf!

13. Treffen Sie vor der Installation Schutzmaßnahmen, um Verletzungen zu vermeiden !



AUGENSCHUTZ FUSSSCHUTZ STAUBMASKEN-SCHUTZKLEIDUNG

14. Das Produkt muss an einer Holz- oder Betonwand installiert werden. Stellen Sie vor der Installation sicher, dass die Tragfähigkeit der Wand die maximale Tragfähigkeit nicht überschreitet! Bitte verstärken Sie die Struktur der Wand rechtzeitig, um die Tragfähigkeit der Wand zu festigen! Andernfalls kann das Produkt beschädigt werden oder es können Verletzungen auftreten!

15. Dieses Produkt ist nur für den Gebrauch im Innenbereich bestimmt. Bei Verwendung im Außenbereich kann es zu Produktschäden oder Verletzungen kommen.

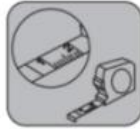
16. Bitte überprüfen Sie alle zwei Monate, ob die Schrauben locker sind.

17. Für die Installation sind mindestens zwei Personen erforderlich .

18. Stellen Sie sicher, dass Sie die Anweisungen gelesen und die Installation vollständig verstanden haben . Wenn Sie einen der Installationsschritte nicht verstehen, wenden Sie sich an einen professionellen Installationsfachmann.

7. Nicht überladen ! Maximale Tragkraft: **200 lbs/** pro Schicht (**gleichmäßig verteilt**)

Installationsvorbereitung :



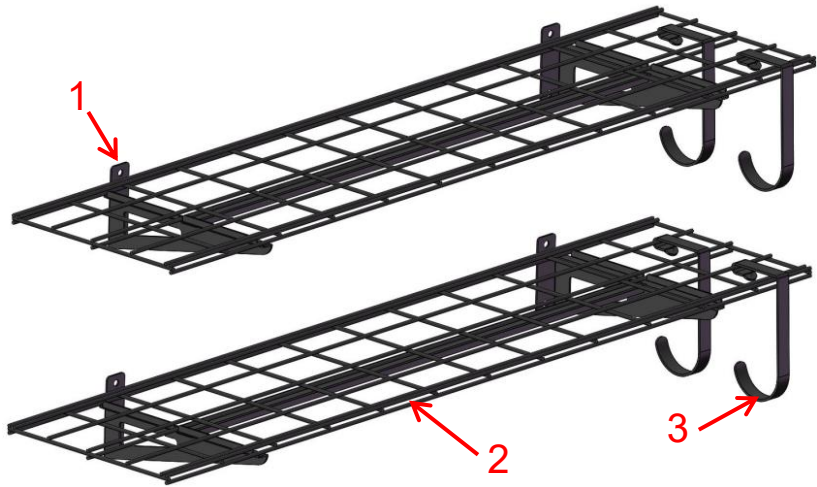
+



MODEL AND PARAMETERS


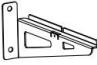




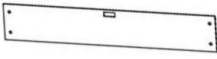
Modell	LL1248
Anzahl der Schichten	2
Regalfächengröße	48x12 Zoll
Maximale Tragfähigkeit	200 lbs /pro Schicht (insgesamt)
Material	Stahl
Farbe	Schwarz

STRUCTURE DIAGRAM



1.Klammern 2.Regal 3.Haken

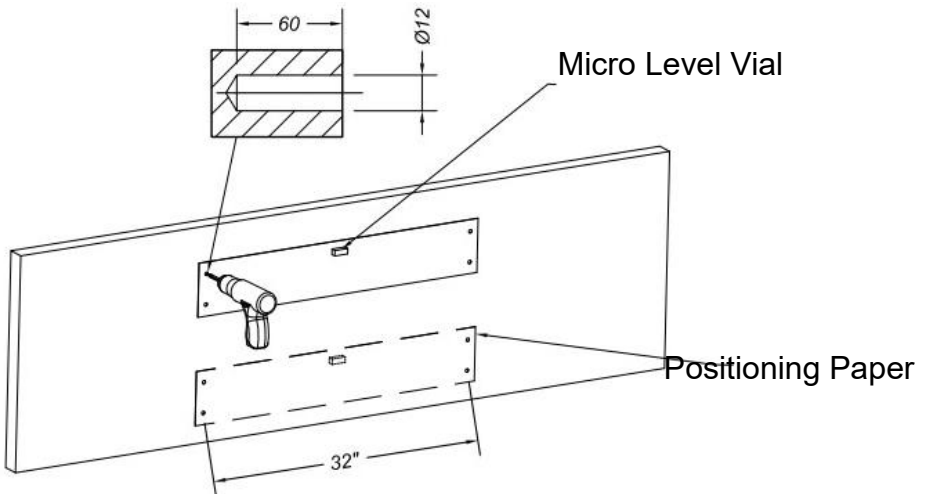
COMPONENTS

NEI	Bild	Name	Men
1		Linke Klammer	2
2		Rechte Klammer	2
3		Regal	2
4		Strahl	2
5		Haken	4
6		L-förmiger Schraubenschlüssel	1
7		Positionspapier	1

8		Mikro-Wasserwaage	1
9		Erweiterungsstecker -12 * 58	8
10		Unterlegscheibe-8.5	8
11		Sechskant - Blechschraube-8 * 60	8
12		Kabel Krawatte s -12*250	8
13		Schraube -M4* 8	4
14		Bedienungsanleitung	1

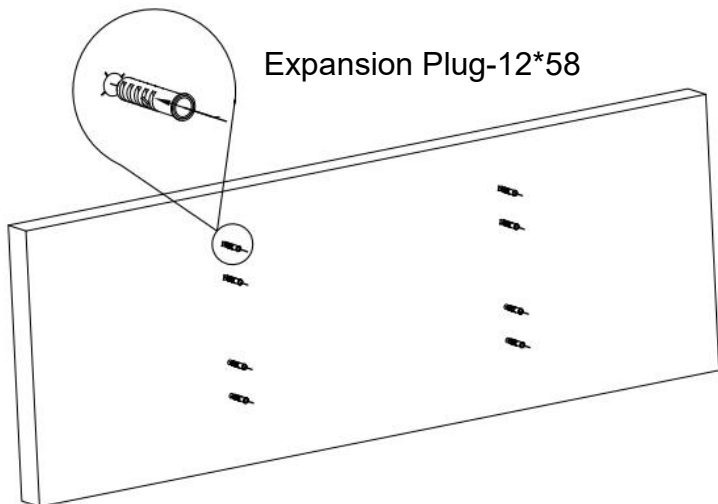
ASSEMBLY

SCHRITT 1-A: Installation auf massiven Betonwänden



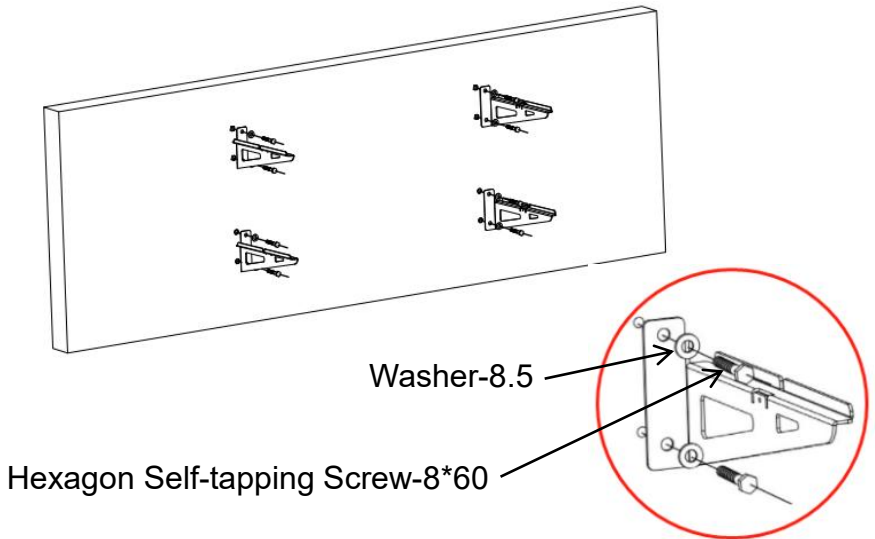
9. Kleben Sie das Positionierungspapier auf die entsprechende Höhe, kleben Sie die Mikro-Wasserwaage zum Justieren der Höhe auf und bohren Sie die Ankerpunkte anschließend mit dem Presslufthammer leicht heraus .

10. Entfernen Sie das Positionierungspapier und bohren Sie Löcher ($\Phi 12 \times 60 \text{ mm}$) in die Wand. (Das Positionierungspapier sollte 2 Mal wiederverwendet werden.)



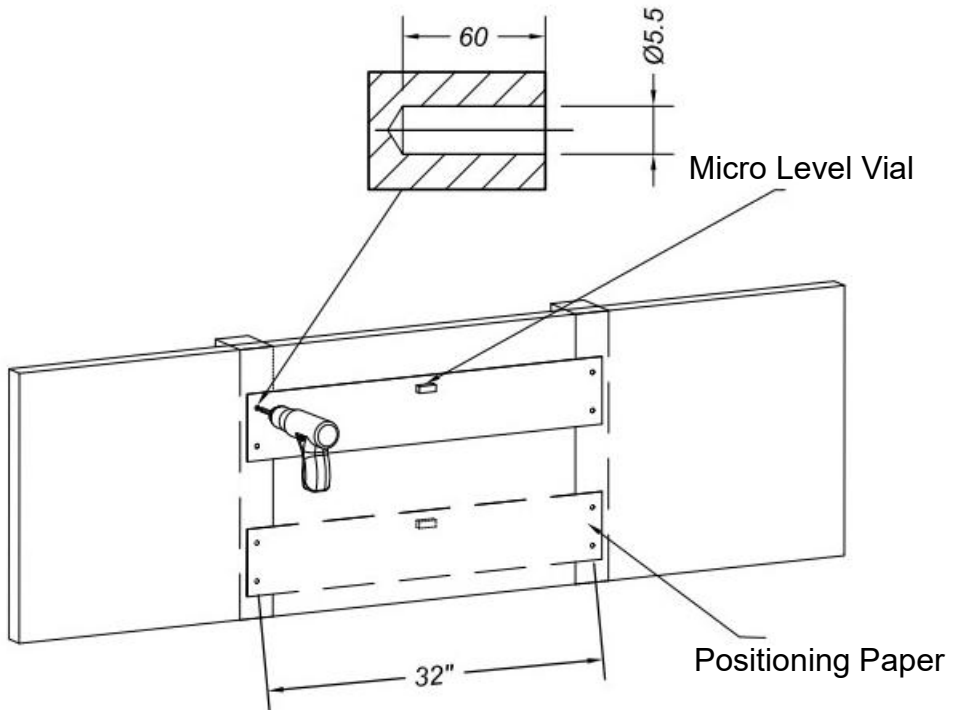
11. Nachdem Sie die Erdreste aus dem Loch entfernt haben,

klopfen Sie den Spreizdübel vollständig in das Loch.



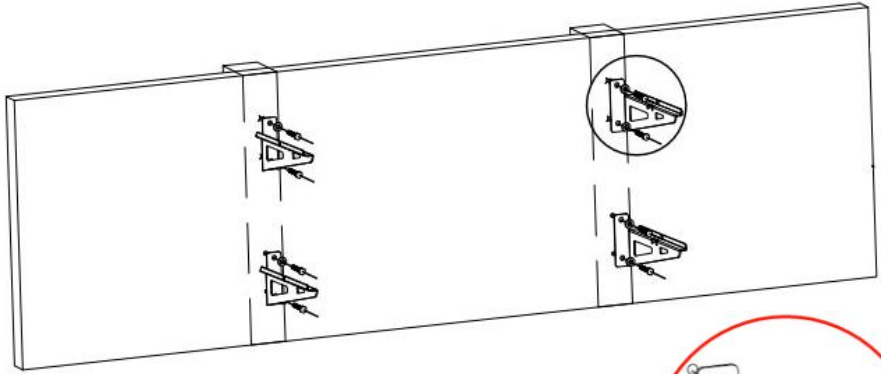
12. Montieren und fixieren Sie die linke und rechte Halterung. Die Schraube muss vollständig eingedreht sein und fest andrücken!

SCHRITT 1-B: Installation auf einem hölzernen Wandpfosten



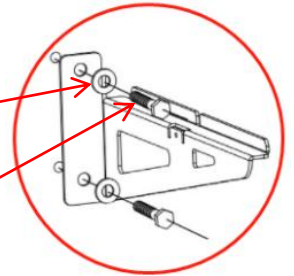
7. Kleben Sie das Positionierungspapier auf die entsprechende Höhe, kleben Sie die Mikro-Wasserwaage zum Justieren der Höhe auf und bohren Sie die Ankerpunkte anschließend mit dem Presslufthammer leicht heraus .

8. Entfernen Sie das Positionierungspapier und bohren Sie Löcher ($\text{Ø}5,5 \times 60 \text{ mm}$) in die Wand. (Das Positionierungspapier sollte 2 Mal wiederverwendet werden.)



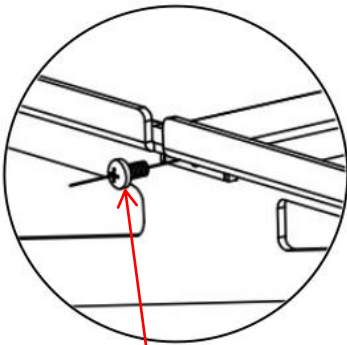
Washer-8.5

Hexagon Self-tapping Screw-8*60

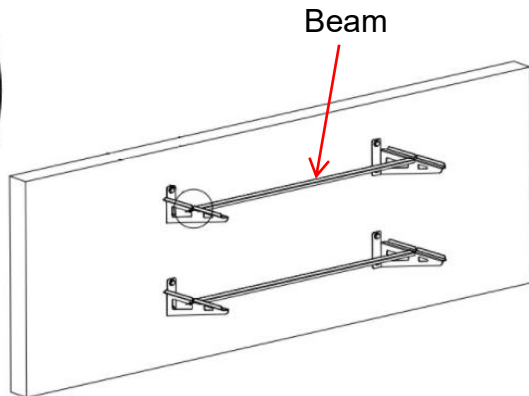


9. Den linken und rechten Halter montieren und fixieren. Die Schraube muss dabei vollständig eingedreht werden!

SCHRITT 2: Montage des Balkens

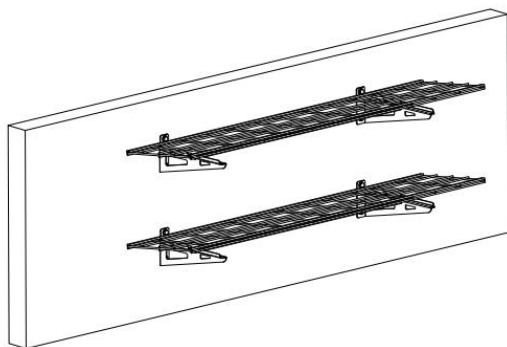


Bolt-M4*8

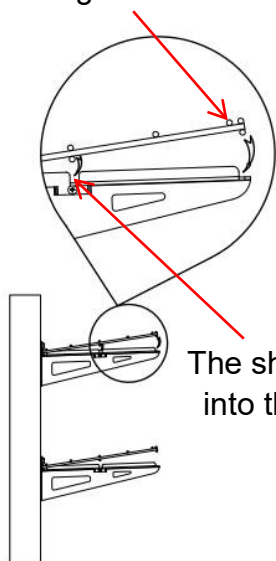


Beam

SCHRITT 3: Installation des Regals

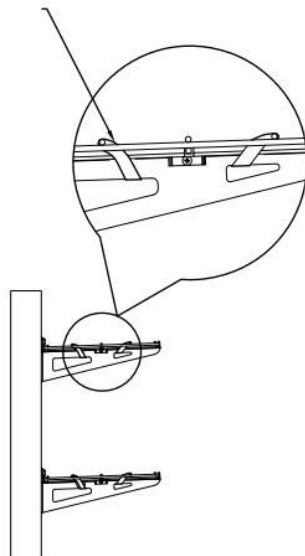


The working face faces up.

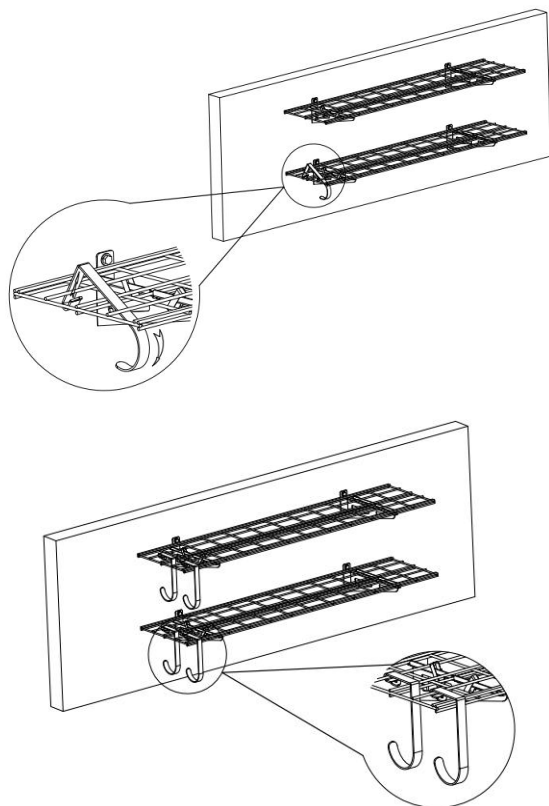


The shelf is stuck into the card slot.

Use 2 cable ties to fix the grid and bracket.



SCHRITT 4: Montagehaken



MAINTENANCE

9. Nicht überladen.
10. Vermeiden Sie bitte, nasse Gegenstände in die Regale zu stellen. Sorgen Sie dafür, dass das Lager nicht zu feucht wird .
11. Bitte überprüfen Sie alle zwei Monate, ob die Schrauben locker sind.
12. Stauben Sie den Staub regelmäßig mit einem sauberen Lappen ab und ordnen Sie die Gegenstände ordentlich auf den Regalen an .

VEVOR[®]
TOUGH TOOLS, HALF PRICE

Technisch Support und E-Garantie-Zertifikat
www.vevor.com/support

VEVOR[®]

TOUGH TOOLS, HALF PRICE

Supporto tecnico e certificato di garanzia elettronica www.vevor.com/support

SCAFFALATURA DA PARETE PER GARAGE

MODELLO: LL1248

We continue to be committed to provide you tools with competitive price.

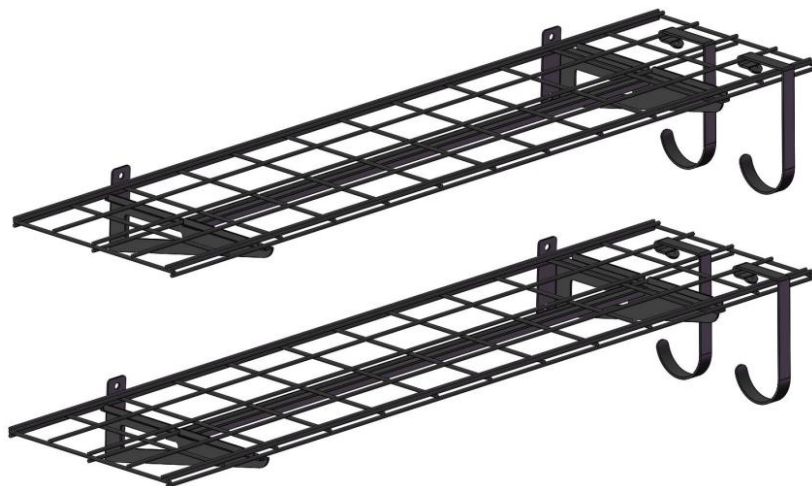
"Save Half", "Half Price" or any other similar expressions used by us only represents an estimate of savings you might benefit from buying certain tools with us compared to the major top brands and does not necessarily mean to cover all categories of tools offered by us. You are kindly reminded to verify carefully when you are placing an order with us if you are actually saving half in comparison with the top major brands.

VEVOR®

TOUGH TOOLS, HALF PRICE

GARAGE WALL SHELVING

MODELLO: LL1248



NEED HELP? CONTACT US!

Have product questions? Need technical support? Please feel free to contact us:

Technical Support and E-Warranty Certificate
www.vevor.com/support

This is the original instruction, please read all manual instructions carefully before operating. VEVOR reserves a clear interpretation of our user manual. The appearance of the product shall be subject to the product you received. Please forgive us that we won't inform you again if there are any technology or software updates on our product.

SAFETY INSTRUCTIONS

ATTENZIONE : Questo prodotto contiene piccole parti. Se ingerito, potrebbe rappresentare un rischio di soffocamento. Tenere queste piccole parti lontano dalla portata dei bambini!

19. Prima dell'installazione, adottare misure di protezione per evitare lesioni personali !



PROTEZIONE DEGLI OCCHI PROTEZIONE DEL PIEDE INDOSSARE LA PROTEZIONE CON MASCHERA

ANTIPOLVERE

20. Il prodotto deve essere installato su una parete in legno o cemento. Prima dell'installazione, assicurarsi che la capacità portante della parete non superi la capacità portante massima! Si prega di rafforzare la struttura della parete in tempo per consolidare la capacità portante della parete! In caso contrario, il prodotto potrebbe danneggiarsi o potrebbero verificarsi lesioni personali!

21. Questo prodotto è destinato esclusivamente all'uso in ambienti interni.

L'uso all'esterno può causare danni al prodotto o lesioni personali.

22. Controllare e confermare ogni due mesi che le viti siano allentate.

23. Almeno due persone per completare l'installazione .

24. Assicurati di aver letto le istruzioni e di aver compreso appieno come installare. Se non capisci uno qualsiasi dei passaggi di installazione, contatta un installatore professionista.

7. Non sovraccaricare ! Capacità massima: **200 libbre** / per strato (**distribuito uniformemente**)

Preparazione all'installazione :



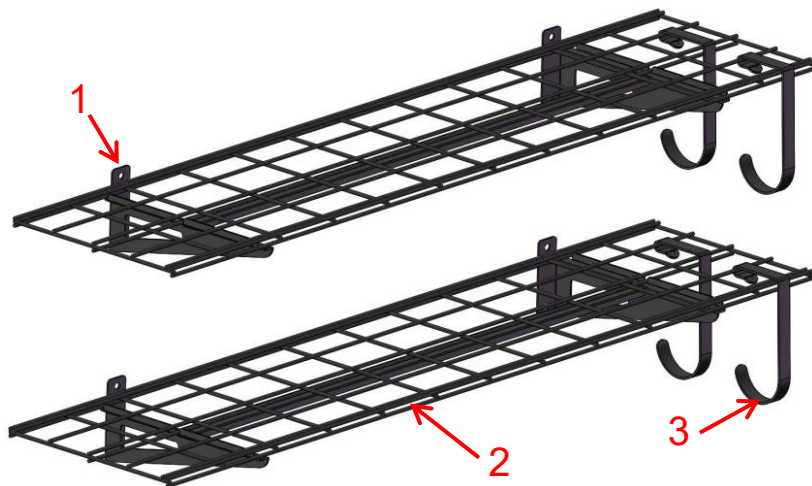
+



MODEL AND PARAMETERS

Modello	LL1248
Numero di strati	2
Dimensioni della superficie	48x12 pollici
Capacità massima del	200 libbre/per strato (400 libbre in
Materiale	Acciaio
Colore	Nero




STRUCTURE DIAGRAM



1. Staffe 2. Ripiano 3. Ganci

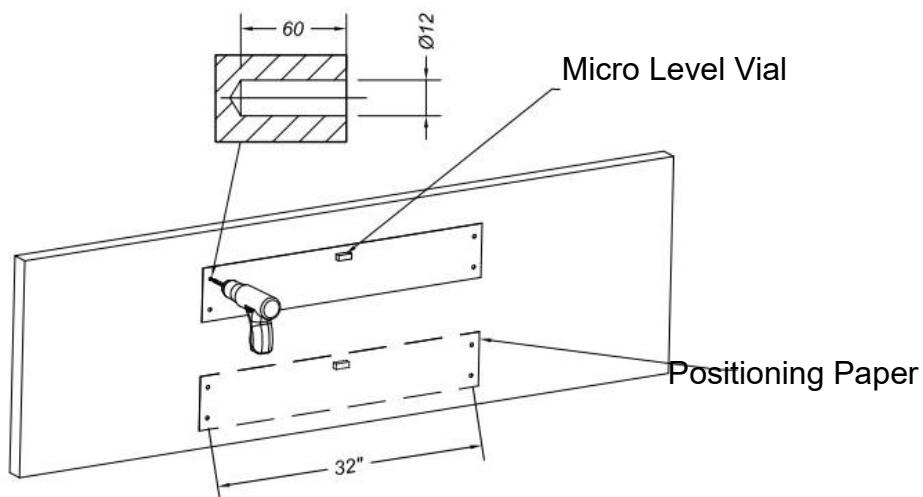
COMPONENTS

NO.	Immagine	Nome	Qua
1		Parentesi sinistra	2
2		Parentesi quadra destra	2
3		Mensola	2
4		Trave	2
5		Gancio	4
6		Chiave a L	1
7		Posizionamento della carta	1

8		Fiala di microlivello	1
9		Spina di espansione -12*58	8
10		Rondella-8.5	8
11		Vite autofilettante esagonale - 8*60	8
12		Cavo Cravatte - 12*250	8
13		Bullone -M4* 8	4
14		Manuale d'uso	1

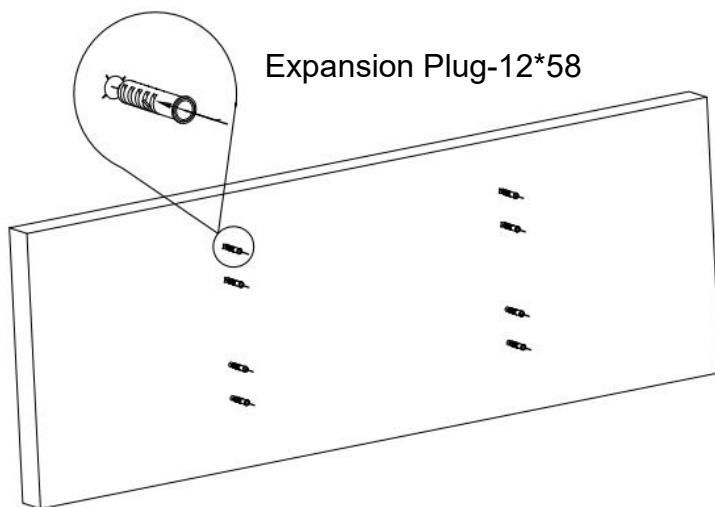
ASSEMBLY

FASE 1-A: Installazione su pareti in calcestruzzo solido

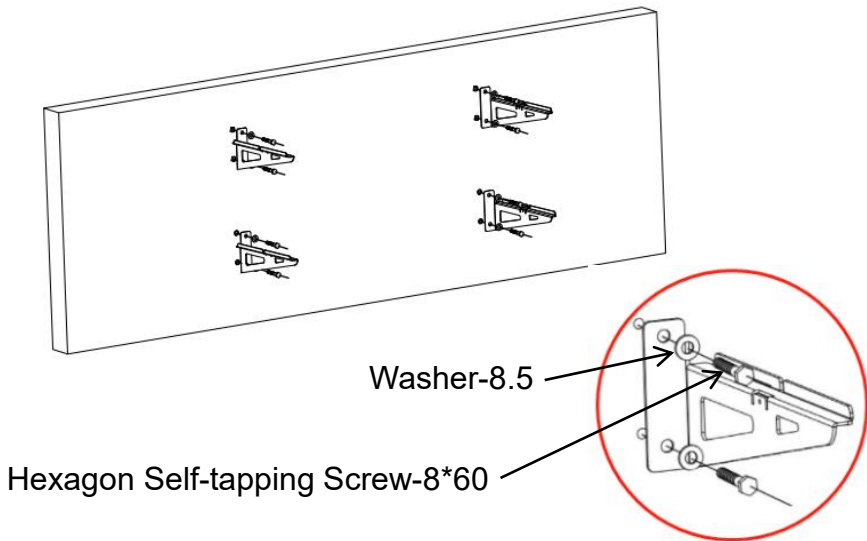


13. Incollare la carta di posizionamento all'altezza appropriata, incollare la fiala Micro Level per regolare il livello, quindi utilizzare il martello pneumatico per forare leggermente i punti di ancoraggio .

14. Rimuovere la carta di posizionamento e praticare dei fori (Φ 12x60mm) nel muro. (La carta di posizionamento deve essere riutilizzata 2 volte.)

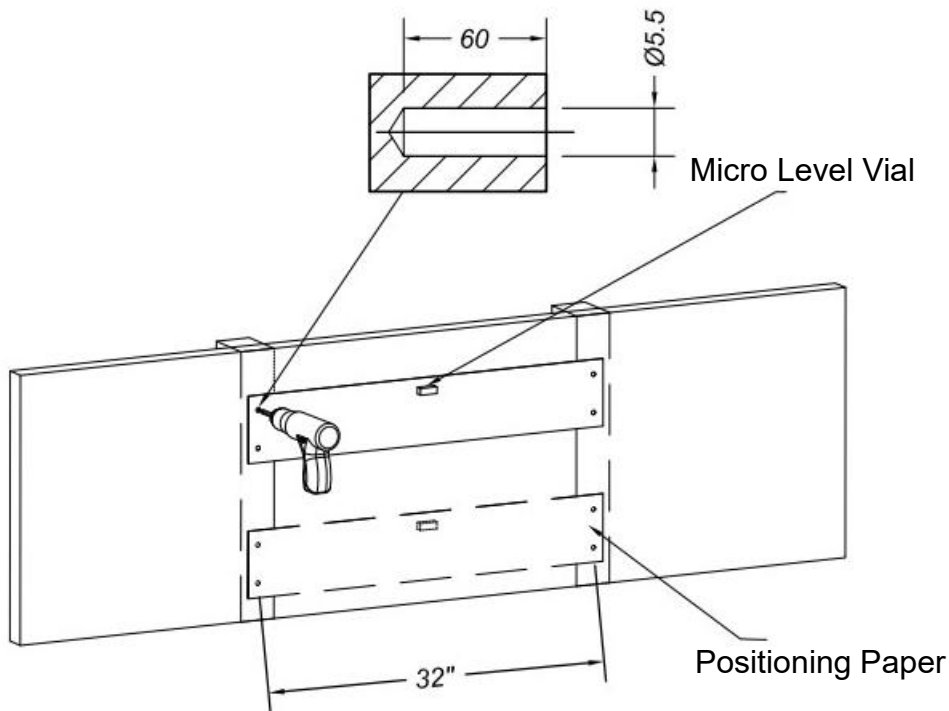


15. Dopo aver rimosso il terreno residuo dal foro, inserire completamente il tappo di espansione nel foro.



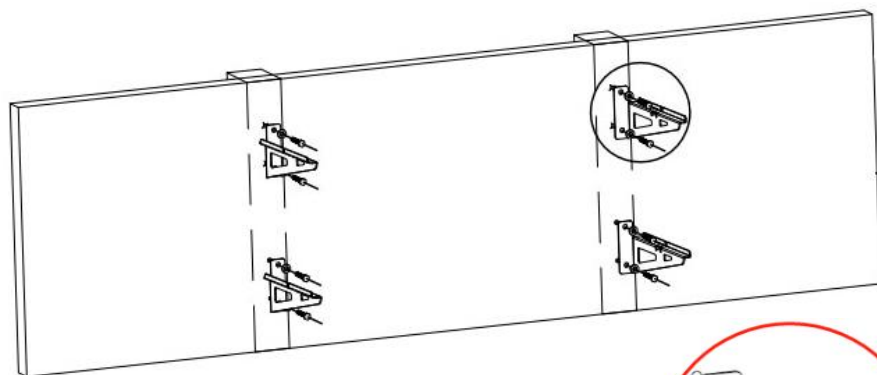
16. Installare e fissare la staffa sinistra e destra. La vite deve essere avvitata completamente e premere saldamente!

FASE 1-B: Installazione su palo in legno



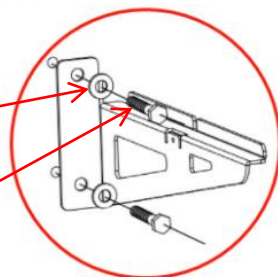
10. Incollare la carta di posizionamento all'altezza appropriata, incollare la fiala Micro Level per regolare il livello, quindi utilizzare il martello pneumatico per forare leggermente i punti di ancoraggio .

11. Rimuovere la carta di posizionamento e praticare dei fori (Φ 5,5x60mm) nel muro. (La carta di posizionamento deve essere riutilizzata 2 volte.)



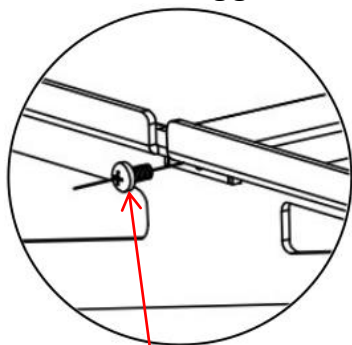
Washer-8.5

Hexagon Self-tapping Screw-8*60

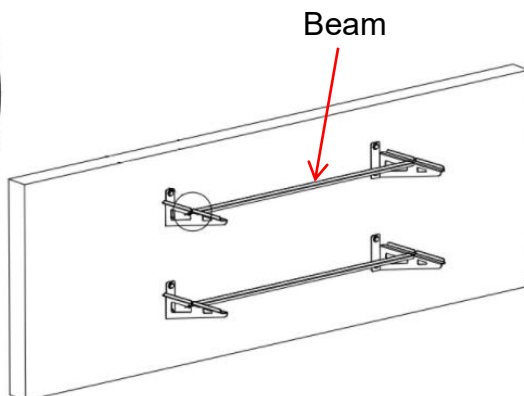


12. Installare e fissare la staffa sinistra e destra. La vite deve essere avvitata completamente!

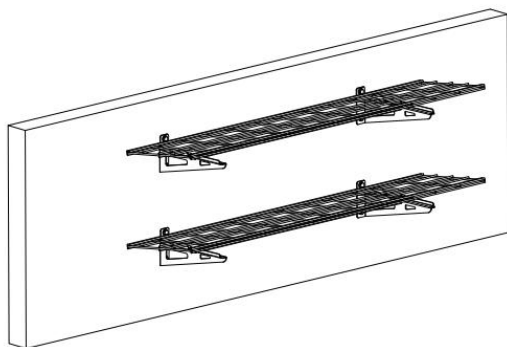
FASE 2: Montaggio della trave



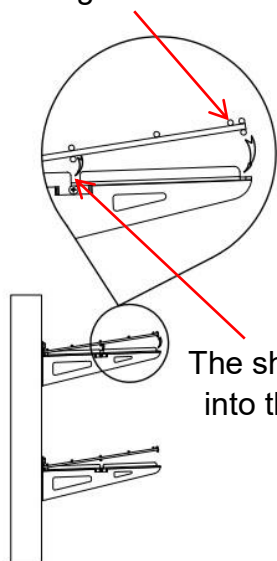
Bolt-M4*8



FASE 3: Installazione dello scaffale

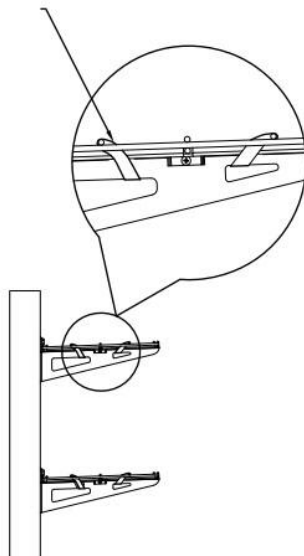


The working face faces up.

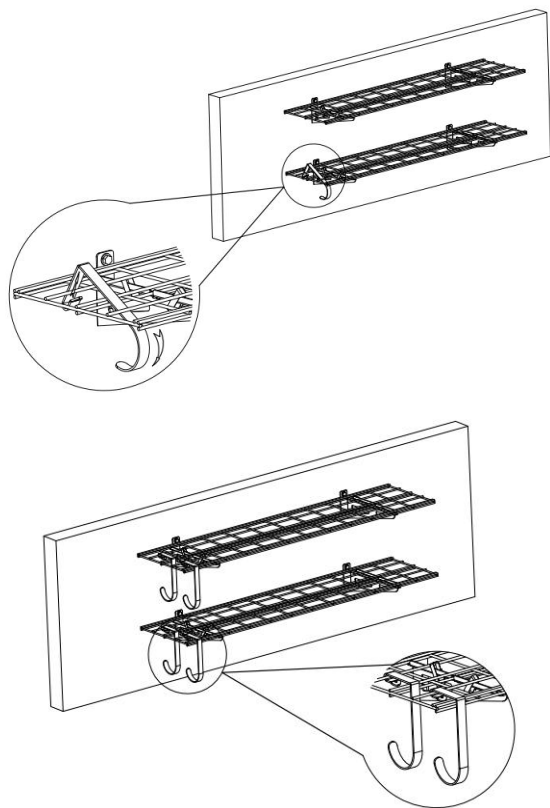


The shelf is stuck into the card slot.

Use 2 cable ties to fix the grid and bracket.



FASE 4: Gancio di montaggio



MAINTENANCE

13. Non sovraccaricare.
14. Si prega di cercare di evitare di mettere oggetti bagnati sugli scaffali.
Mantenere il magazzino non troppo umido .
15. Controllare e confermare ogni due mesi che le viti siano allentate.
16. Spolverare regolarmente con uno straccio pulito e disporre gli oggetti in modo ordinato sugli scaffali .

VEVOR[®]

TOUGH TOOLS, HALF PRICE

Tecnico Supporto e certificato di garanzia elettronica

www.vevor.com/support

VEVOR[®]

TOUGH TOOLS, HALF PRICE

Soporte técnico y certificado de garantía electrónica www.vevor.com/support

ESTANTERÍA DE PARED PARA GARAJE

MODELO: LL1248

We continue to be committed to provide you tools with competitive price.

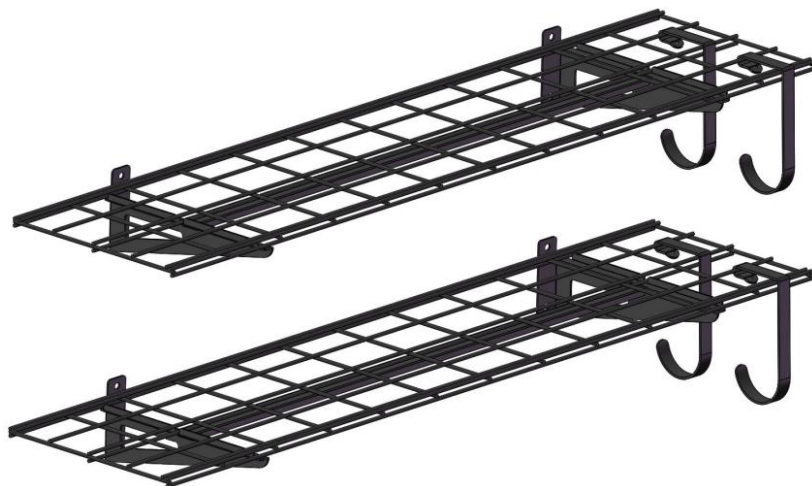
"Save Half", "Half Price" or any other similar expressions used by us only represents an estimate of savings you might benefit from buying certain tools with us compared to the major top brands and does not necessarily mean to cover all categories of tools offered by us. You are kindly reminded to verify carefully when you are placing an order with us if you are actually saving half in comparison with the top major brands.

VEVOR®

TOUGH TOOLS, HALF PRICE

GARAGE WALL SHELVING

MODELO: LL1248



NEED HELP? CONTACT US!

Have product questions? Need technical support? Please feel free to contact us:

Technical Support and E-Warranty Certificate
www.vevor.com/support

This is the original instruction, please read all manual instructions carefully before operating. VEVOR reserves a clear interpretation of our user manual. The appearance of the product shall be subject to the product you received. Please forgive us that we won't inform you again if there are any technology or software updates on our product.

SAFETY INSTRUCTIONS

ADVERTENCIA : Este producto contiene piezas pequeñas. Si se ingieren, pueden provocar asfixia. ¡ Mantenga estas piezas pequeñas fuera del alcance de los niños!

25. ¡Antes de la instalación, tome medidas de protección para evitar lesiones personales !



PROTECCIÓN OCULAR PROTECCIÓN DE PIES MÁSCARA DE PROTECCIÓN CONTRA EL POLVO

26. El producto debe instalarse en una pared de madera o de hormigón. Antes de la instalación, asegúrese de que la capacidad de carga de la pared no supere la capacidad de carga máxima. Refuerce la estructura de la pared a tiempo para consolidar la capacidad de carga de la pared. De lo contrario, el producto podría dañarse o podrían producirse lesiones personales.

27. Este producto es solo para uso en interiores. El uso en exteriores puede causar daños al producto o lesiones personales.

28. Verifique y confirme si los tornillos están flojos cada dos meses.

29. Al menos dos personas para completar la instalación .

30. Asegúrese de haber leído las instrucciones y de comprender completamente cómo instalarlo. Si no comprende alguno de los pasos de instalación, comuníquese con un instalador profesional.

7. ¡ No sobrecargue ! Capacidad máxima: **200 lb/ por capa (distribuida uniformemente)**

Preparación de la instalación :



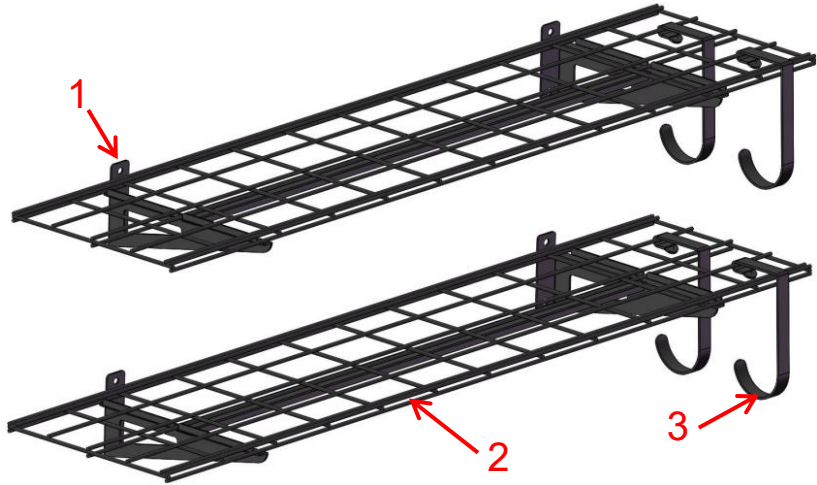
+



MODEL AND PARAMETERS


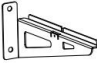




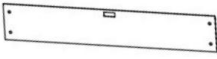
Modelo	LL1248
Número de capas	2
Tamaño de la superficie de	48x12 pulgadas
Capacidad máxima de	200 libras por capa (400 libras en
Material	Acero
Color	Negro

STRUCTURE DIAGRAM



1. Soportes 2. Estante 3. Ganchos

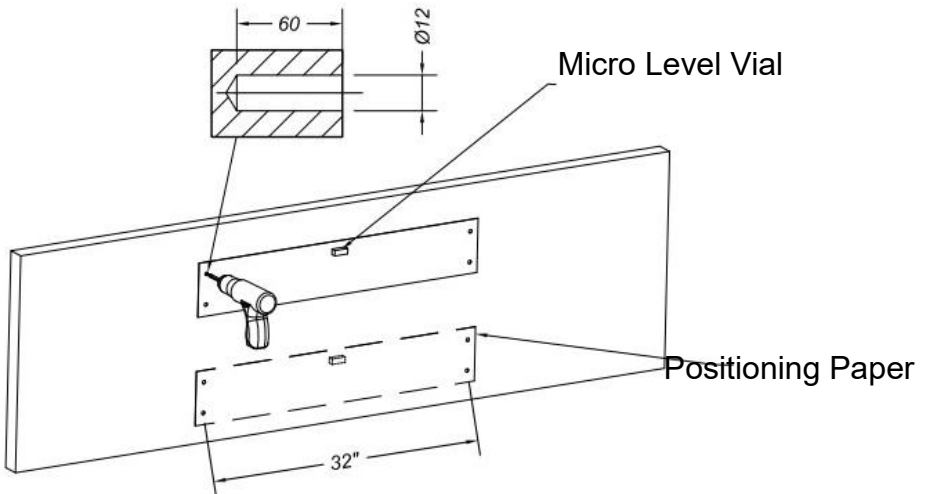
COMPONENTS

No.	Imagen	Nombre	Can
1		Soporte izquierdo	2
2		Soporte derecho	2
3		Estante	2
4		Haz	2
5		Gancho	4
6		Llave en forma de L	1
7		Papel de posicionamiento	1

8		Vial de nivel micro	1
9		Clavija de expansión -12 *58	8
10		Lavadora-8.5	8
11		Tornillo autorroscante hexagonal - 8	8
12		Cable Corbata s - 12*250	8
13		Perno -M4 * 8	4
14		Manual de usuario	1

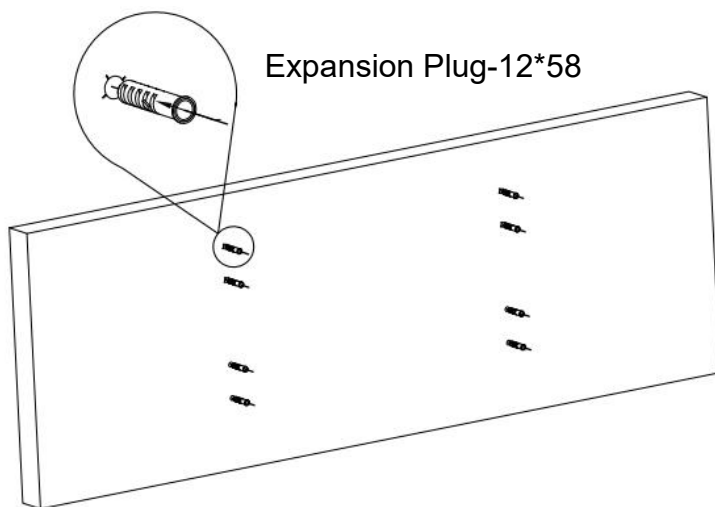
ASSEMBLY

PASO 1-A: Instalación en paredes de hormigón macizo

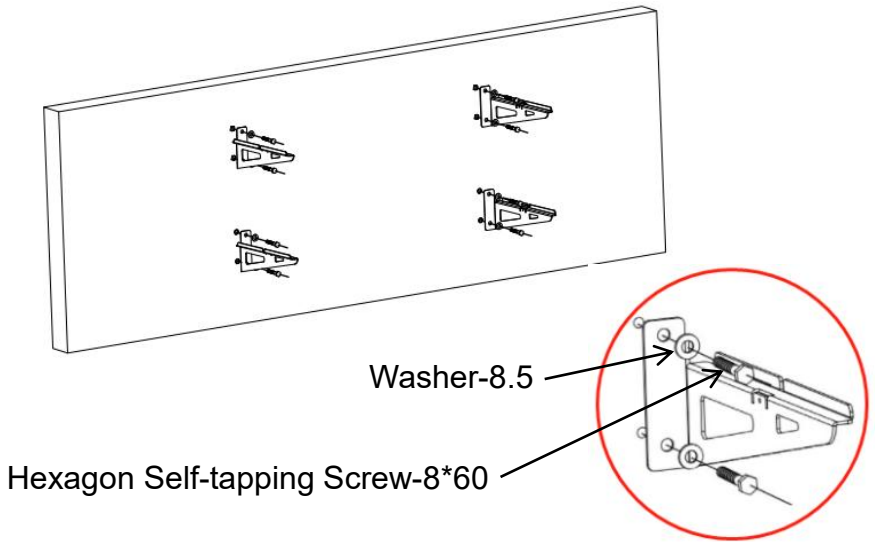


17. Pegue el papel de posicionamiento a la altura adecuada, pegue el vial de nivel Micro para ajustar el nivel y luego use el martillo neumático para perforar ligeramente los puntos de anclaje .

18. Retire el papel de posicionamiento y taladre agujeros (Φ 12x60 mm) en la pared. (El papel de posicionamiento debe reutilizarse 2 veces).

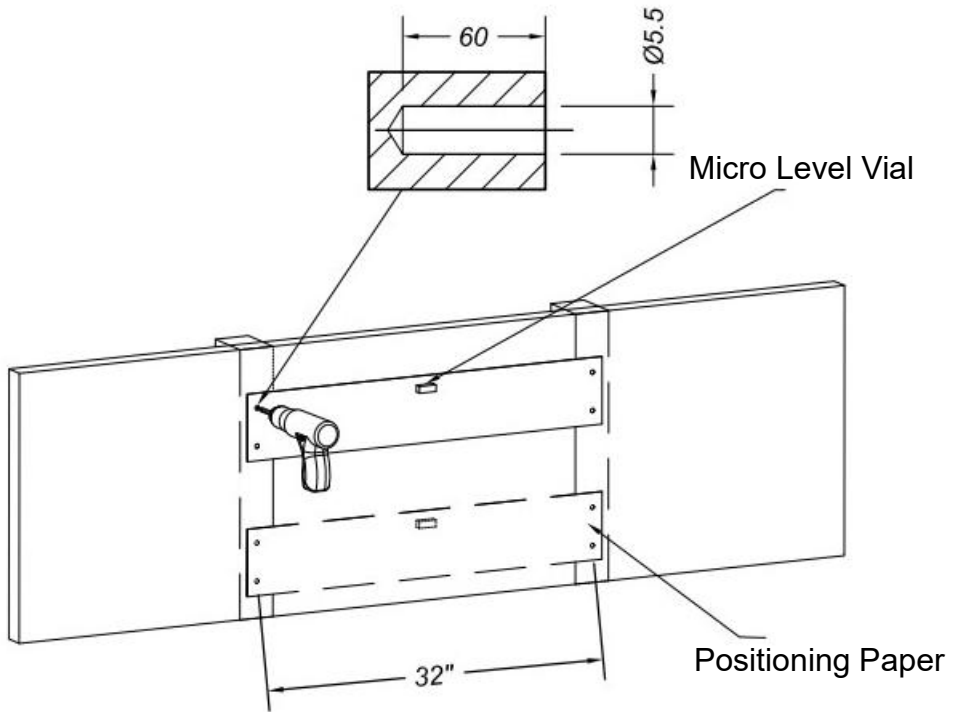


19. Después de limpiar la tierra residual en el agujero, golpee el tapón de expansión dentro del agujero completamente.



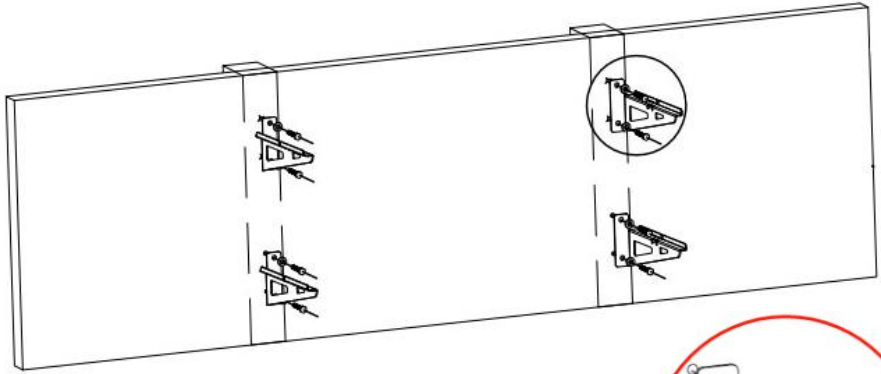
20. Instale y fije el soporte izquierdo y derecho. ¡ El tornillo debe estar completamente atornillado y apretado!

PASO 1-B: Instalación en poste de madera para pared



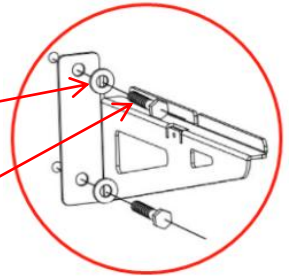
13. Pegue el papel de posicionamiento a la altura adecuada, pegue el vial de nivel Micro para ajustar el nivel y luego use el martillo neumático para perforar ligeramente los puntos de anclaje .

14. Retire el papel de posicionamiento y taladre orificios ($\text{Ø}5,5 \times 60$ mm) en la pared. (El papel de posicionamiento debe reutilizarse 2 veces).



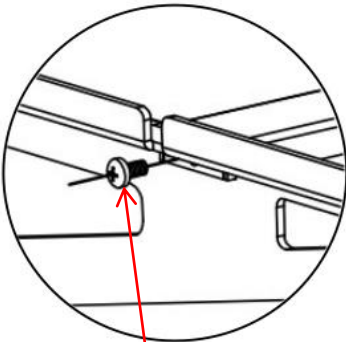
Washer-8.5

Hexagon Self-tapping Screw-8*60

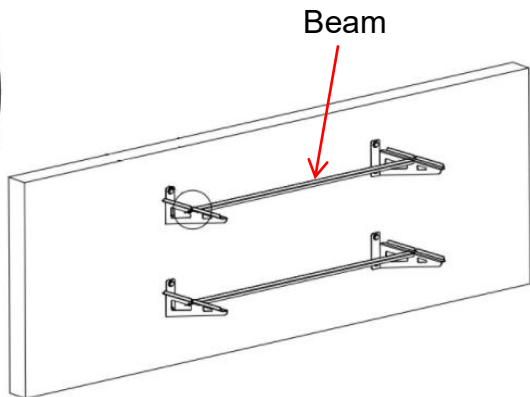


15. Instale y fije el soporte izquierdo y derecho. ¡ El tornillo debe estar completamente atornillado!

PASO 2: Montaje de la viga

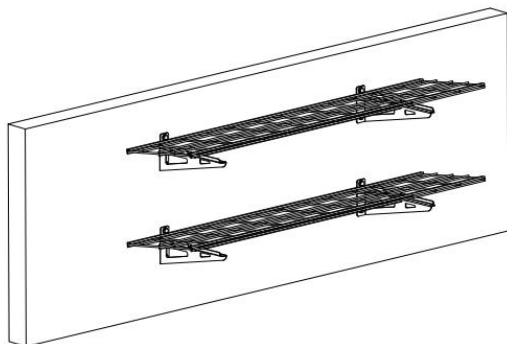


Bolt-M4*8

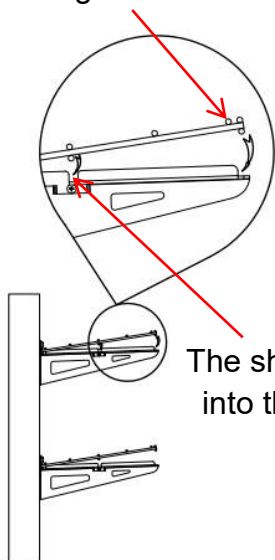


Beam

PASO 3: Instalación del estante

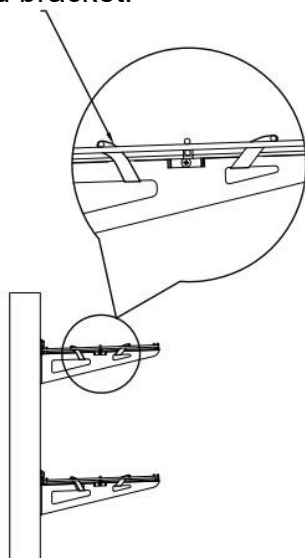


The working face faces up.

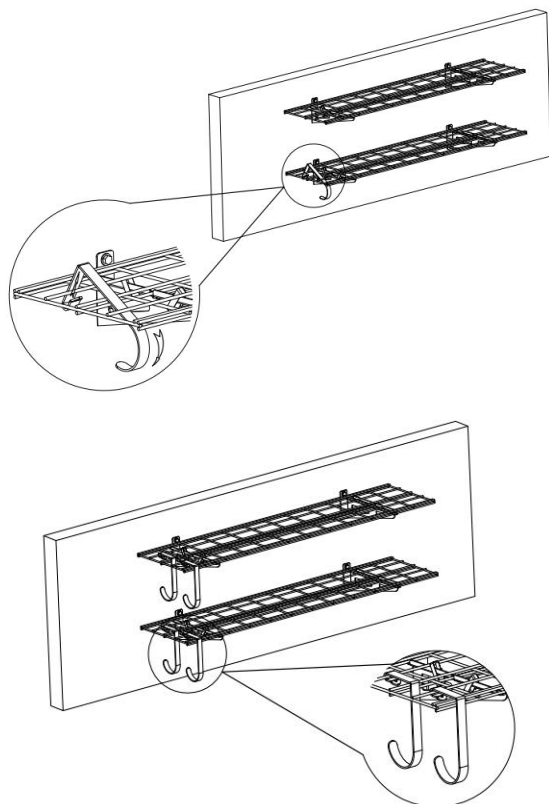


The shelf is stuck into the card slot.

Use 2 cable ties to fix the grid and bracket.



PASO 4: Gancho de montaje



MAINTENANCE

17. No sobrecargue.
18. Intente evitar colocar artículos húmedos en los estantes. Mantenga el almacén sin demasiada humedad .
19. Verifique y confirme si los tornillos están flojos cada dos meses.
20. Quite el polvo periódicamente con un trapo limpio y coloque los artículos de forma ordenada en los estantes .

VEVOR[®]
TOUGH TOOLS, HALF PRICE

Técnico Certificado de soporte y garantía electrónica
www.vevor.com/support

VEVOR®

TOUGH TOOLS, HALF PRICE

Wsparcie techniczne i certyfikat e-gwarancji www.vevor.com/support

PÓŁKI ŚCIENNE DO GARAŻU

MODEL: LL1248

We continue to be committed to provide you tools with competitive price.

"Save Half", "Half Price" or any other similar expressions used by us only represents an estimate of savings you might benefit from buying certain tools with us compared to the major top brands and does not necessarily mean to cover all categories of tools offered by us. You are kindly reminded to verify carefully when you are placing an order with us if you are actually saving half in comparison with the top major brands.

VEVOR[®]

TOUGH TOOLS, HALF PRICE

GARAGE WALL SHELVING

MODEL: LL1248



NEED HELP? CONTACT US!

Have product questions? Need technical support? Please feel free to contact us:

Technical Support and E-Warranty Certificate
www.vevor.com/support

This is the original instruction, please read all manual instructions carefully before operating. VEVOR reserves a clear interpretation of our user manual. The appearance of the product shall be subject to the product you received. Please forgive us that we won't inform you again if there are any technology or software updates on our product.

SAFETY INSTRUCTIONS

OSTRZEŻENIE : Ten produkt zawiera małe części. W przypadku połknięcia istnieje ryzyko zadławienia. Trzymaj te małe części z dala od dzieci!

31. Przed montażem należy podjąć środki ostrożności, aby uniknąć obrażeń ciała !



OCHRONA OCZU OCHRONA STÓP Noś maskę przeciwpyłową

32. Produkt musi być zainstalowany na ścianie drewnianej lub betonowej. Przed montażem upewnij się, że nośność ściany nie przekracza maksymalnej nośności! Proszę wzmocnić konstrukcję ściany na czas, aby skonsolidować nośność ściany! W przeciwnym razie produkt może zostać uszkodzony lub może dojść do obrażeń ciała!

33. Ten produkt jest przeznaczony wyłącznie do użytku wewnątrz pomieszczeń. Stosowanie na zewnątrz może spowodować uszkodzenie produktu lub obrażenia ciała.

34. Proszę co dwa miesiące sprawdzać, czy śruby nie są poluzowane.

35. Do wykonania instalacji potrzebne są co najmniej dwie osoby .

36. Upewnij się, że przeczytałeś instrukcję i w pełni zrozumiałeś sposób instalacji. Jeśli nie rozumiesz żadnego z kroków instalacji, skontaktuj się z profesjonalnym personelem instalacyjnym.

7. Nie przeciążaj ! Maksymalna ładowność: **200 funtów** / na warstwę

(równomiernie rozłożone)

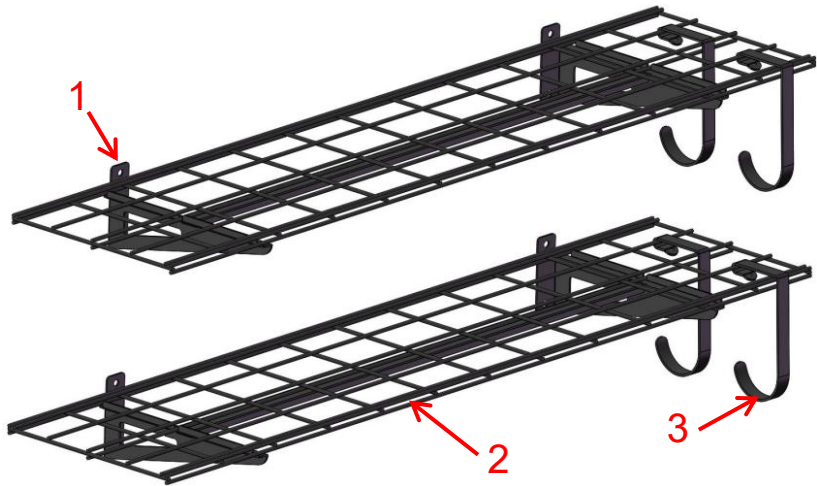
Przygotowanie do instalacji :



MODEL AND PARAMETERS


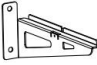





Model	LL1248
Liczba warstw	2
Rozmiar powierzchni regału	48x12 cali
Maksymalna nośność	200 funtów / na warstwę (łącznie)
Materiał	Stal
Kolor	Czarny

STRUCTURE DIAGRAM



1. Wsporniki 2. Półka 3. Haki

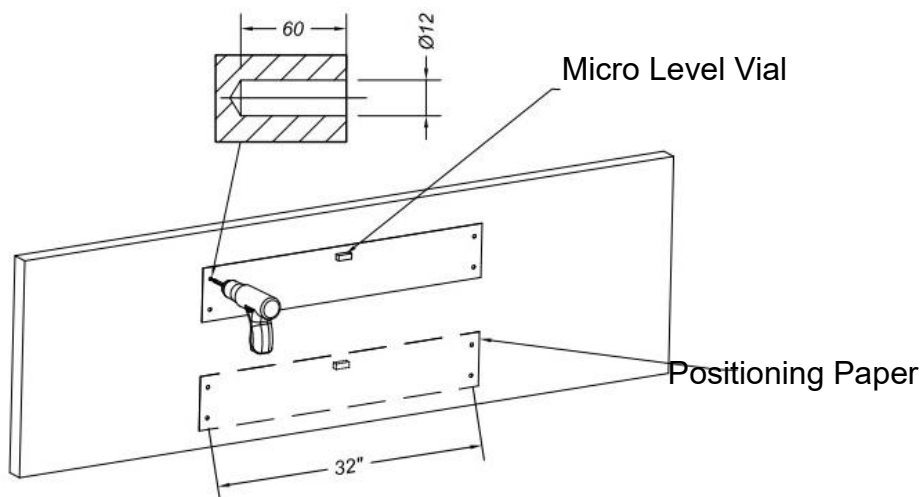
COMPONENTS

NIE.	Zdjęcie	Nazwa	Ilość
1		Lewy nawias	2
2		Prawy nawias	2
3		Półka	2
4		Belka	2
5		Hak	4
6		L-kształtny W rench	1
7		Papier pozycjonujący	1

8		Fiolka mikropoziomowa	1
9		Wtyk rozprężny -12 * 58	8
10		Podkładka-8,5	8
11		Wkręt samogwintujący sześciokątny	8
12		Kabel Krawat s -12*250	8
13		Śruba -M4 * 8	4
14		Instrukcja obsługi	1

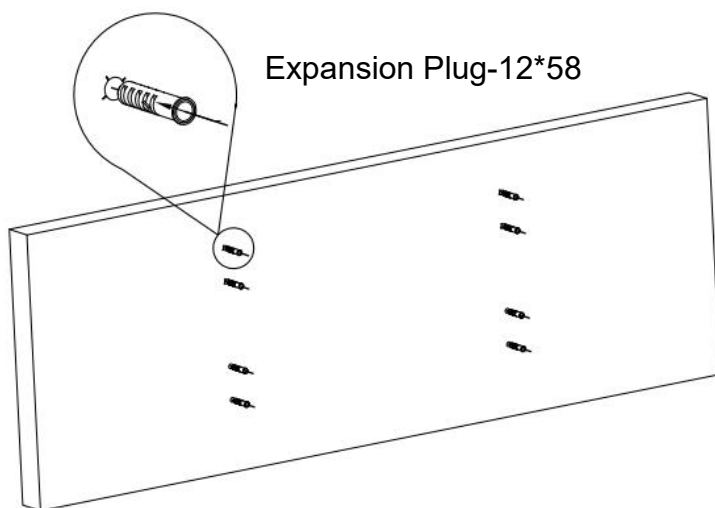
ASSEMBLY

KROK 1-A: Montaż na ścianach z litego betonu



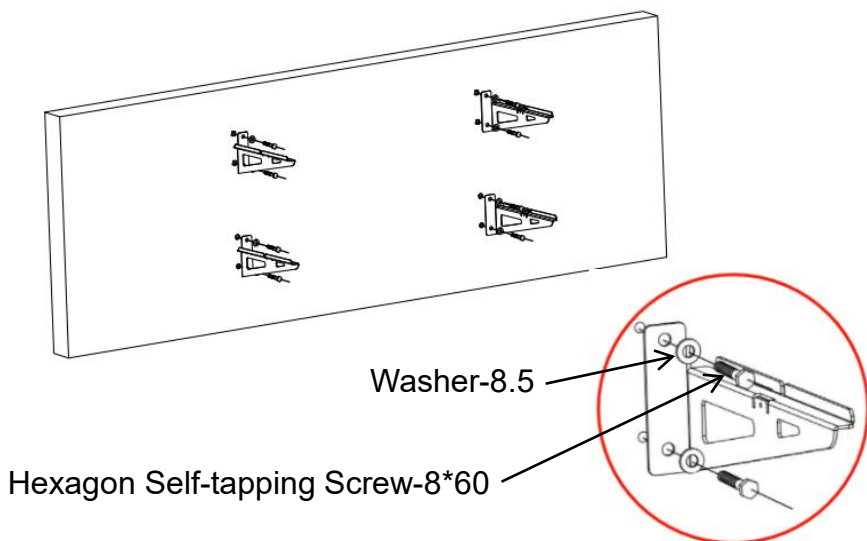
21. Przyklej papier pozycjonujący na odpowiedniej wysokości, przyklej mikropoziomicę, aby wyregulować poziom, a następnie lekko wywierć punkty kotwiczenia za pomocą młota pneumatycznego.

22. Usuń papier pozycjonujący i wywierć otwory ($\Phi 12 \times 60 \text{ mm}$) w ścianie. (Papier pozycjonujący należy wykorzystać ponownie 2 razy.)



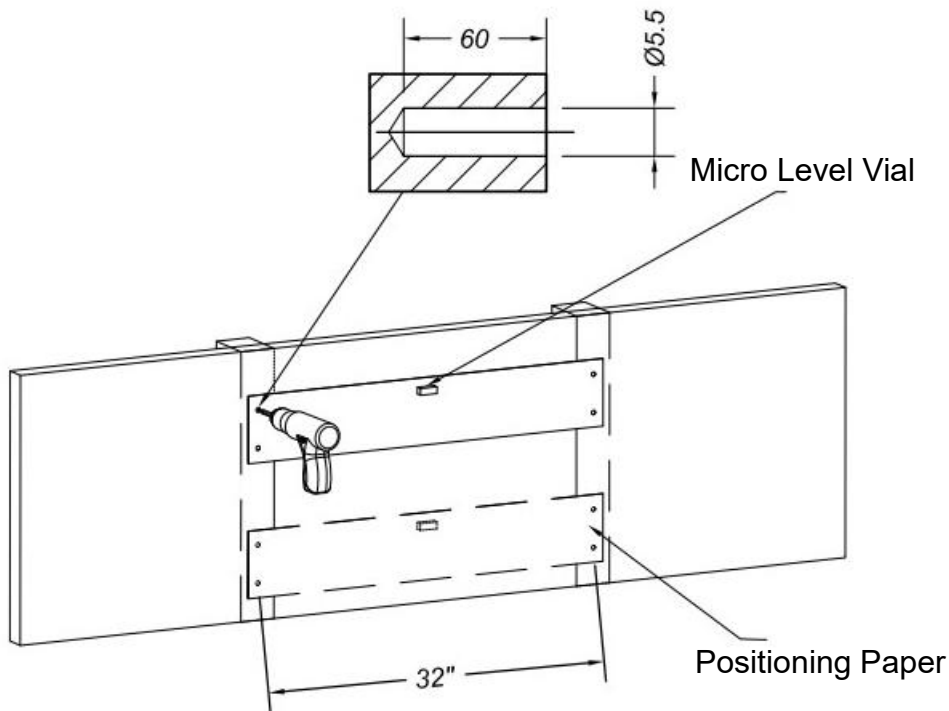
23. Po usunięciu resztek ziemi z otworu, należy dokładnie wbić

kołek rozporowy w otwór.



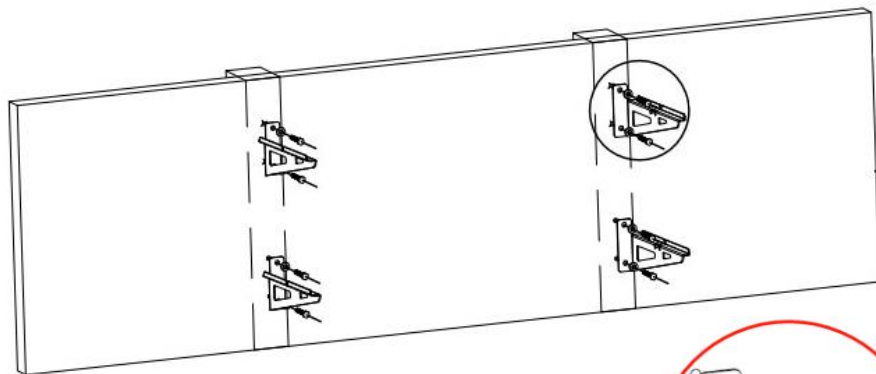
24. Zamontuj i zamocuj lewy i prawy wspornik. Śruba musi być wkręcona całkowicie i mocno dociśnięta!

KROK 1-B: Montaż na słupku ściennym z drewna



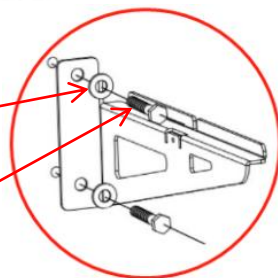
16. Przyklej papier pozycjonujący na odpowiedniej wysokości, przyklej mikropoziomicę, aby wyregulować poziom, a następnie lekko wywierć punkty kotwiczenia za pomocą młota pneumatycznego .

17. Usuń papier pozycjonujący i wywierć otwory ($\text{Ø} 5,5 \times 60 \text{ mm}$) w ścianie. (Papier pozycjonujący należy wykorzystać ponownie 2 razy.)



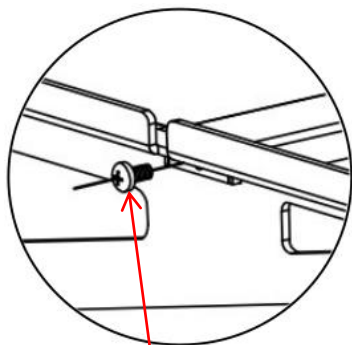
Washer-8.5

Hexagon Self-tapping Screw-8*60

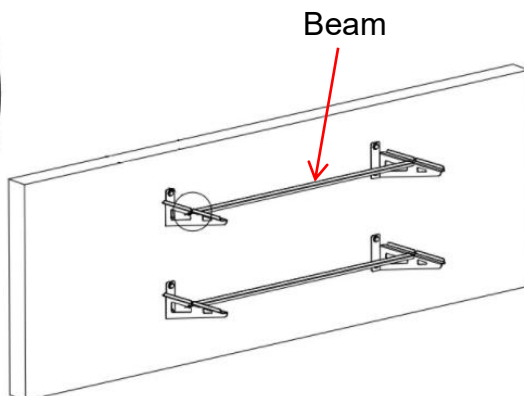


18. Zamontuj i zamocuj lewy i prawy wspornik. Śruba musi być wkręcona całkowicie!

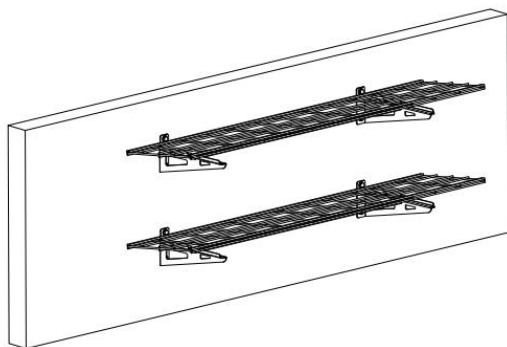
KROK 2 : Montaż belki



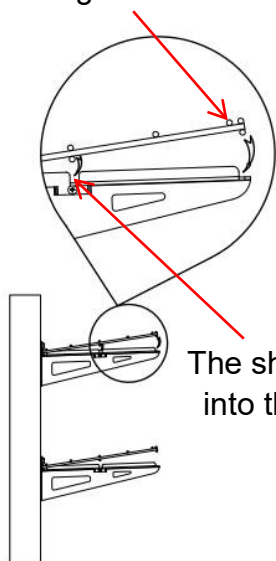
Bolt-M4*8



KROK 3: Montaż półki

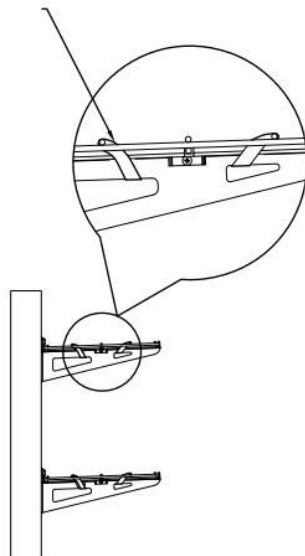


The working face faces up.

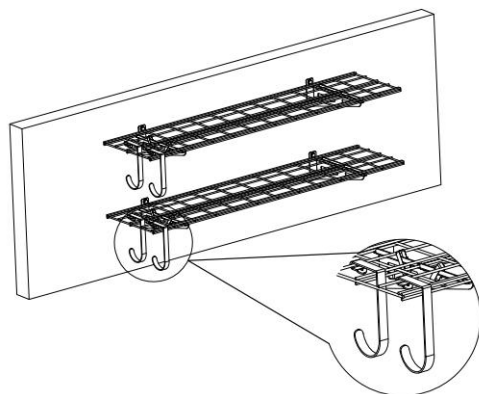
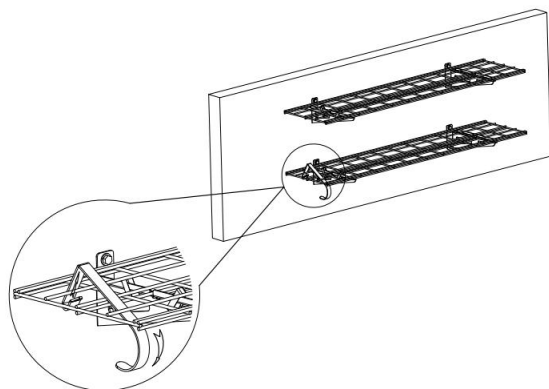


The shelf is stuck into the card slot.

Use 2 cable ties to fix the grid and bracket.



KROK 4: Hak montażowy



MAINTENANCE

21. Nie przeciążaj.

22. Staraj się unikać umieszczania mokrych przedmiotów na półkach.

Utrzymuj magazyn w stanie nie za mokrym .

23. Proszę co dwa miesiące sprawdzać, czy śruby nie są poluzowane.

24. Regularnie wycieraj kurz czystą szmatką i układaj przedmioty starannie na półkach .

VEVOR[®]

TOUGH TOOLS, HALF PRICE

Techniczny Wsparcie i certyfikat e-gwarancji

www.vevor.com/support

VEVOR[®]

TOUGH TOOLS, HALF PRICE

Technische ondersteuning en e-garantiecertificaat www.vevor.com/support

GARAGE WANDPLANKEN

MODEL: LL1248

We continue to be committed to provide you tools with competitive price.

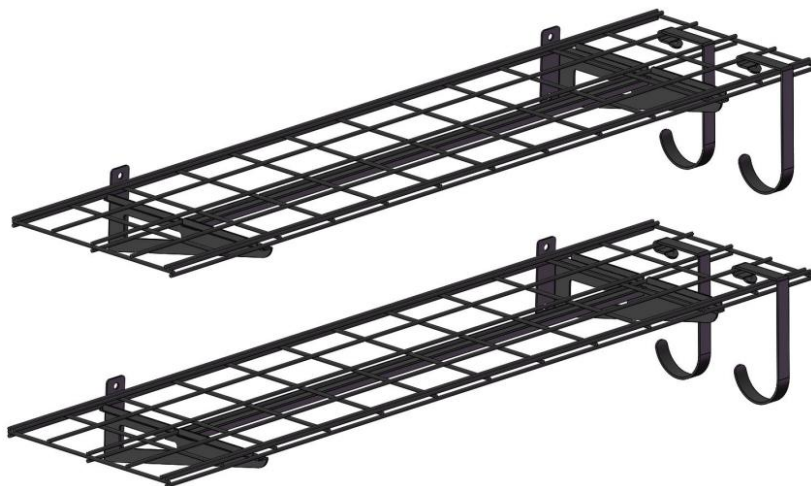
"Save Half", "Half Price" or any other similar expressions used by us only represents an estimate of savings you might benefit from buying certain tools with us compared to the major top brands and does not necessarily mean to cover all categories of tools offered by us. You are kindly reminded to verify carefully when you are placing an order with us if you are actually saving half in comparison with the top major brands.

VEVOR[®]

TOUGH TOOLS, HALF PRICE

GARAGE WALL SHELVING

MODEL: LL1248



NEED HELP? CONTACT US!

Have product questions? Need technical support? Please feel free to contact us:

Technical Support and E-Warranty Certificate
www.vevor.com/support

This is the original instruction, please read all manual instructions carefully before operating. VEVOR reserves a clear interpretation of our user manual. The appearance of the product shall be subject to the product you received. Please forgive us that we won't inform you again if there are any technology or software updates on our product.

SAFETY INSTRUCTIONS

WAARSCHUWING : Dit product bevat kleine onderdelen. Als u het inslikt, kan het verstikkingsgevaar opleveren. Houd deze kleine onderdelen buiten bereik van kinderen!

37. Neem voor de installatie beschermende maatregelen om persoonlijk letsel te voorkomen !



OOGBESCHERMING VOETBESCHERMING STOFMASKER BESCHERMING DRAGEN

38. Het product moet op een houten of betonnen muur worden geïnstalleerd. Controleer vóór de installatie of het draagvermogen van de muur het maximale draagvermogen niet overschrijdt! Versterk de structuur van de muur op tijd om het draagvermogen van de muur te consolideren! Anders kan het product beschadigd raken of kan er persoonlijk letsel optreden!

39. Dit product is alleen voor gebruik binnenshuis. Buitengebruik kan leiden tot schade aan het product of persoonlijk letsel.

40. Controleer elke twee maanden of de schroeven loszitten.

41. Minimaal twee personen om de installatie te voltooien .

42. Zorg ervoor dat u de instructies hebt gelezen en volledig hebt begrepen hoe u moet installeren. Als u een van de installatiestappen niet begrijpt, neem dan contact op met een professioneel installatiepersoneel.

7. Niet overbelasten ! Maximale capaciteit: **200 lbs / per laag (gelijmatig verdeeld)**

Installatievoorbereiding :



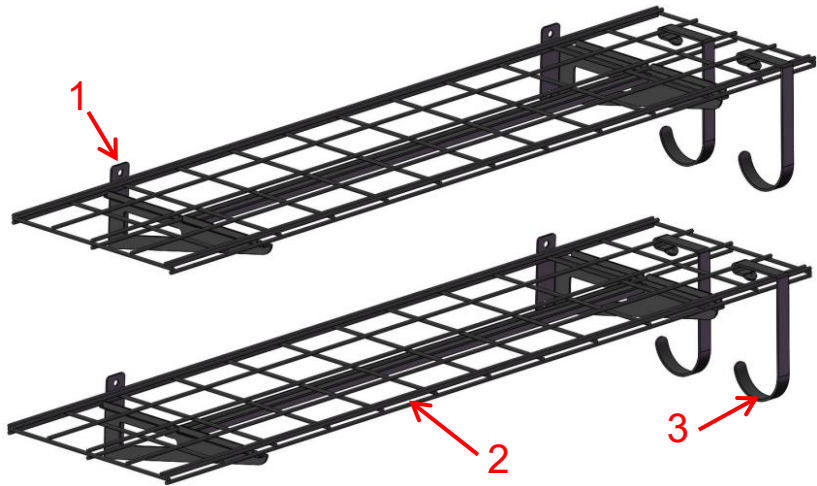
+



MODEL AND PARAMETERS


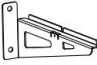




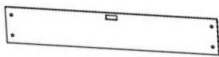
Model	LL1248
Aantal lagen	2
Afmetingen van het	48x12 inch
Maximale lagercapaciteit	200 lbs / per laag (totaal 400 lbs)
M ateriaal	Staal
Kleur	Zwart

STRUCTURE DIAGRAM



1. Beugels 2. Plank 3. Haken

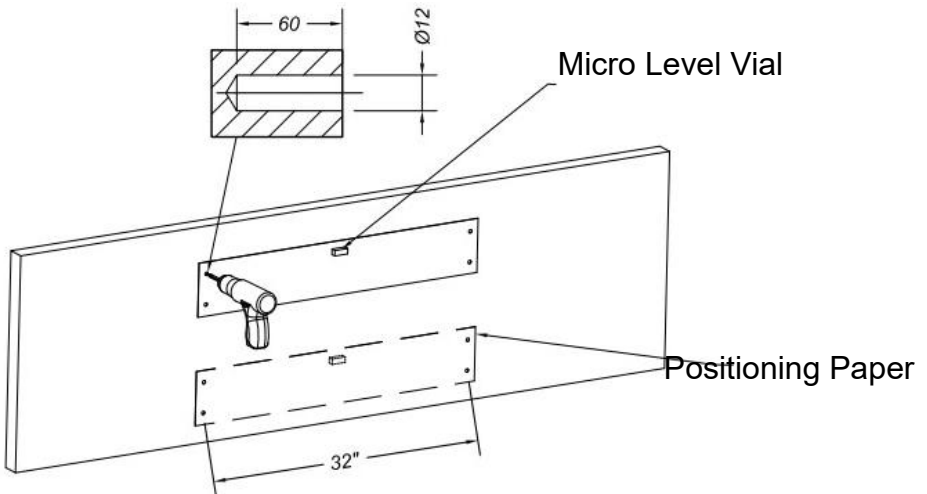
COMPONENTS

Nee	Afbeelding	Naam	Hoe
1		Linker haak	2
2		Rechterbeugel	2
3		Plank	2
4		Straal	2
5		Haak	4
6		L-vormige W -vormige kruk	1
7		Positioneringspapier	1

8		Microniveau-flesje	1
9		Uitbreidingsplug -12 * 58	8
10		Ring-8.5	8
11		Zeskant S -tappende schroef-8*60	8
12		Kabel Stropdas -12 * 250	8
13		Bout -M4 *8	4
14		Gebruiksaanwijzing	1

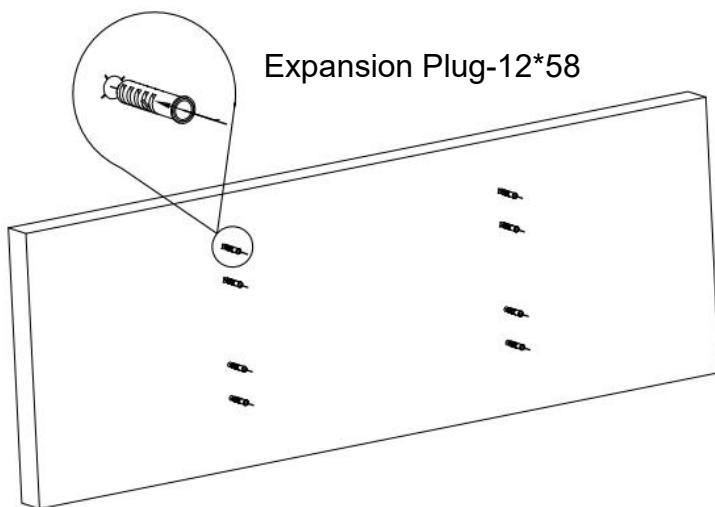
ASSEMBLY

STAP 1-A: Installatie op massieve betonnen muren

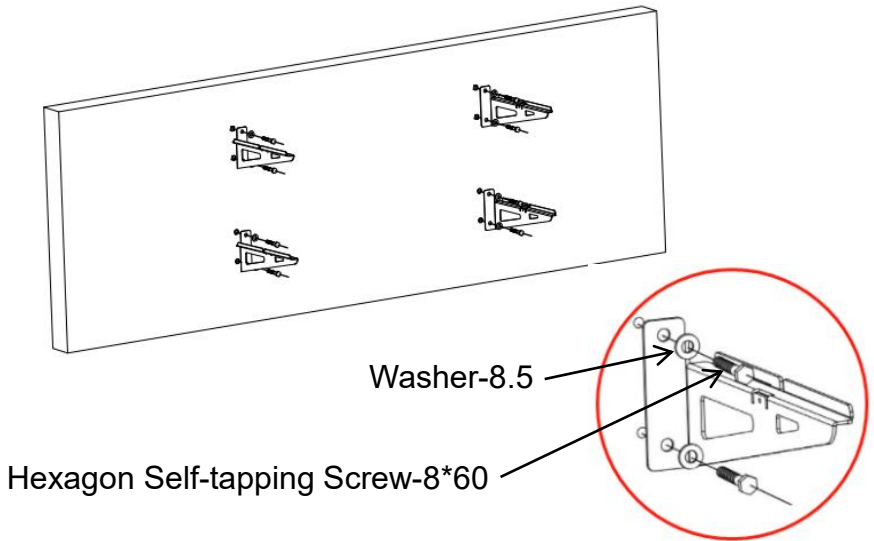


25. Plak het positioneringspapier op de juiste hoogte, lijm het microwaterpasflesje vast om het waterpas te stellen en boor vervolgens met de drillboor de ankerpunten lichtjes uit .

26. Verwijder het positioneringspapier en boor gaten (Φ 12x60mm) in de muur. (Het positioneringspapier moet 2 keer hergebruikt worden.)

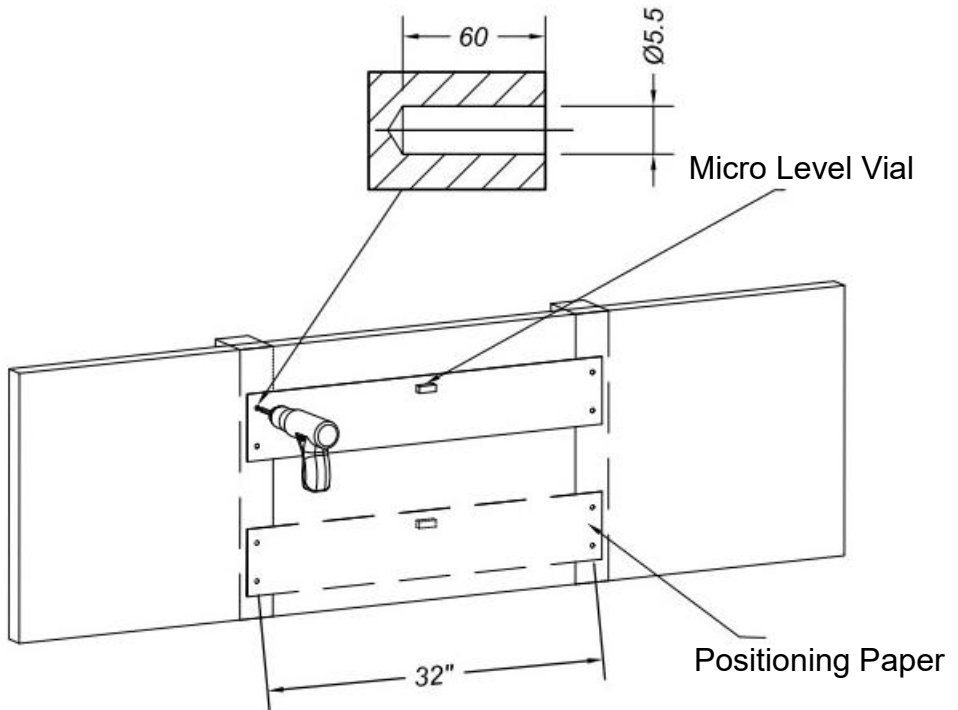


27. Nadat u de resterende grond uit het gat hebt verwijderd, tikt u de expansieplug volledig in het gat.



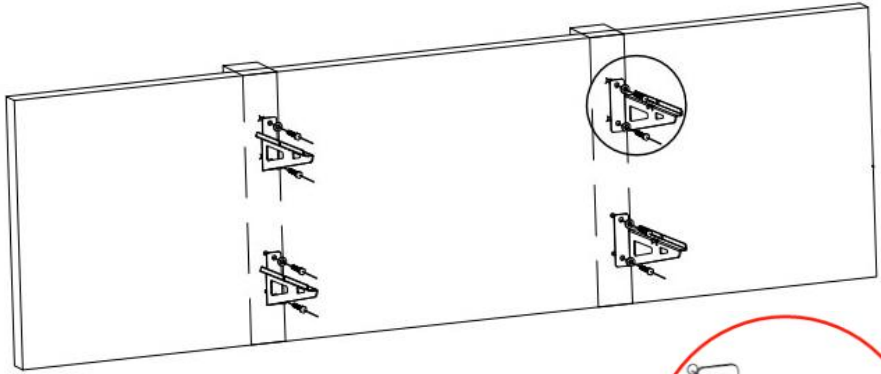
28. Installeer en bevestig de linker- en rechterbeugel. De schroef moet volledig worden vastgedraaid en stevig worden aangedrukt!

STAP 1-B: Installatie op houten muurpaal



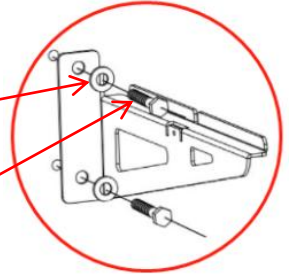
19. Plak het positioneringspapier op de juiste hoogte, lijm het microwaterpasflesje vast om het waterpas te stellen en boor vervolgens met de drillboor de ankerpunten lichtjes uit .

20. Verwijder het positioneringspapier en boor gaten ($\text{Ø}5,5 \times 60\text{mm}$) in de muur. (Het positioneringspapier moet 2 keer hergebruikt worden.)



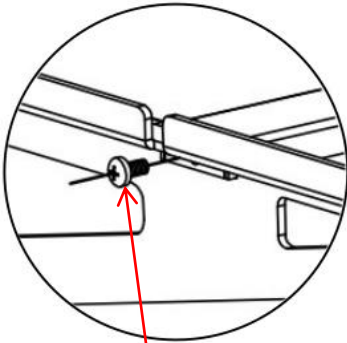
Washer-8.5

Hexagon Self-tapping Screw-8*60

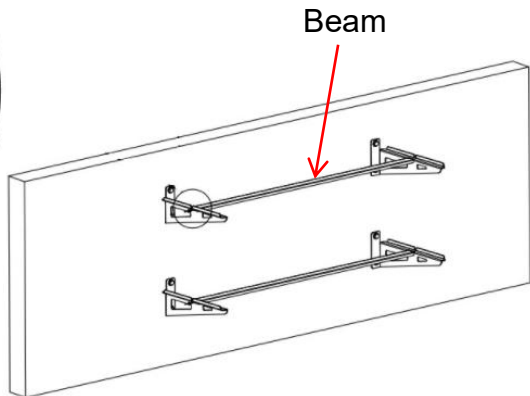


21. Installeer en bevestig de linker- en rechterbeugel. De schroef moet volledig worden ingedraaid!

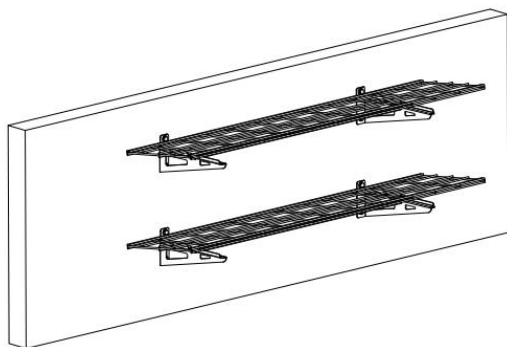
STAP 2: De balk monteren



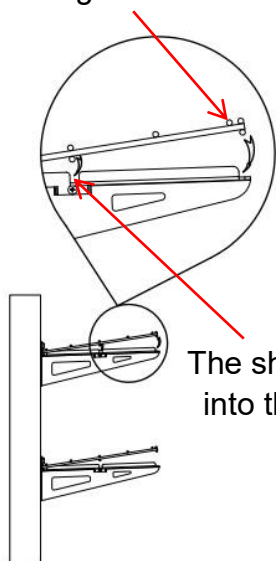
Bolt-M4*8



STAP 3: Installatie van de plank

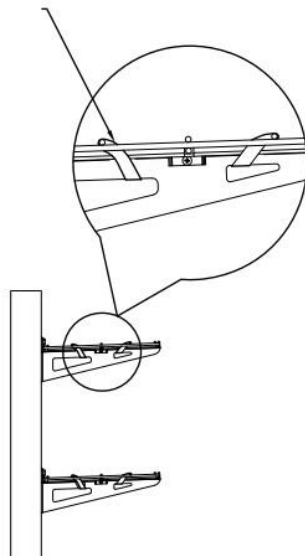


The working face faces up.

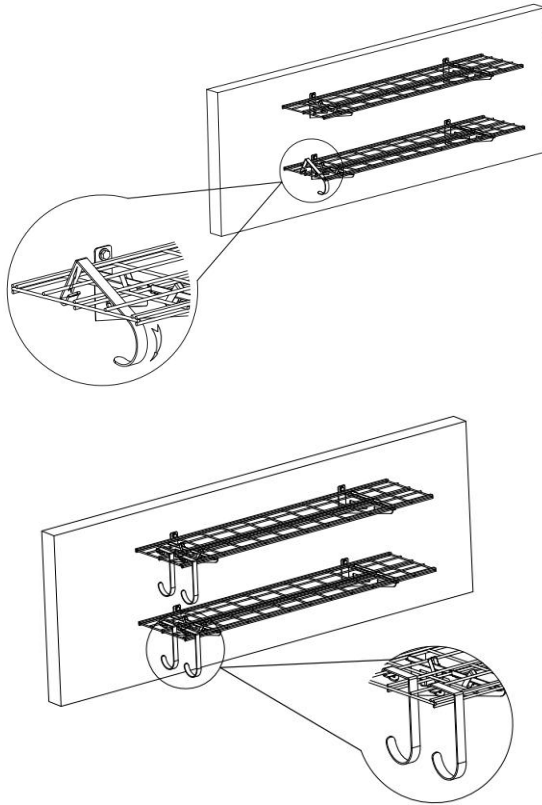


The shelf is stuck into the card slot.

Use 2 cable ties to fix the grid and bracket.



STAP 4: Montagehaak



MAINTENANCE

25. Niet overbelasten.
26. Probeer te voorkomen dat natte items op planken worden gezet. Zorg dat het magazijn niet te nat is .
27. Controleer elke twee maanden of de schroeven loszitten.
28. Stof regelmatig af met een schone doek en schik de spullen netjes op de planken .

VEVOR[®]

TOUGH TOOLS, HALF PRICE

Technisch Ondersteuning en E-garantiecertificaat

www.vevor.com/support

VEVOR[®]

TOUGH TOOLS, HALF PRICE

Teknisk support och e-garanticertifikat www.vevor.com/support

GARAGE VÄGG HYLLOR

MODELL: LL1248

We continue to be committed to provide you tools with competitive price.

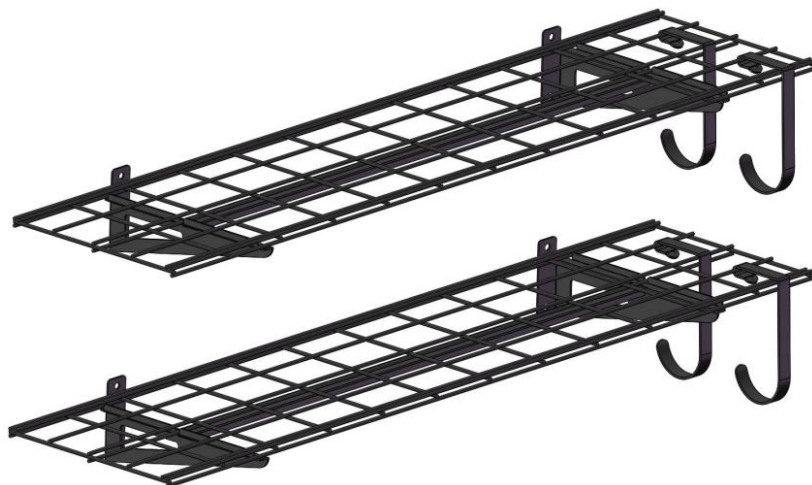
"Save Half", "Half Price" or any other similar expressions used by us only represents an estimate of savings you might benefit from buying certain tools with us compared to the major top brands and does not necessarily mean to cover all categories of tools offered by us. You are kindly reminded to verify carefully when you are placing an order with us if you are actually saving half in comparison with the top major brands.

VEVOR®

TOUGH TOOLS, HALF PRICE

GARAGE WALL SHELVING

MODELL: LL1248



NEED HELP? CONTACT US!

Have product questions? Need technical support? Please feel free to contact us:

Technical Support and E-Warranty Certificate
www.vevor.com/support

This is the original instruction, please read all manual instructions carefully before operating. VEVOR reserves a clear interpretation of our user manual. The appearance of the product shall be subject to the product you received. Please forgive us that we won't inform you again if there are any technology or software updates on our product.

SAFETY INSTRUCTIONS

WARNING : Denna produkt innehåller små delar. Om den sväljs kommer den att utgöra en kvävningrisk. Håll dessa små delar borta från barn!

43. Före installation, vidta skyddsåtgärder för att undvika personskador !



ÖGONSKYDD FOTSKYDD DAMMASKYDDSLÄGG

44. Produkten måste installeras på en trä- eller betongvägg. Före installation, se till att väggens bärlighet inte överstiger den maximala bärligheten ! Förstärk väggens struktur i tid för att konsolidera väggens bärförmåga! Annars kan produkten skadas eller personskada uppstå!

45. Denna produkt är endast för inomhusbruk. Användning utomhus kan orsaka produktskador eller personskador.

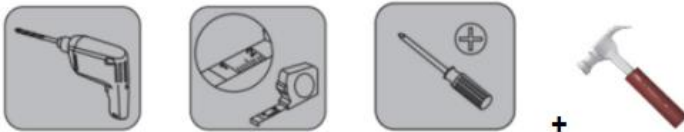
46. Kontrollera och bekräfta om skruvarna är lösa varannan månad.

47. Minst två personer för att slutföra installationen .

48. Se till att du har läst instruktionerna och helt förstått hur du installerar. Om du inte förstår något av installationsstegen, kontakta en professionell installationspersonal.

7. Överbelasta inte ! Maximal kapacitet: **200 lbs / per lager (jämnt fördelat)**

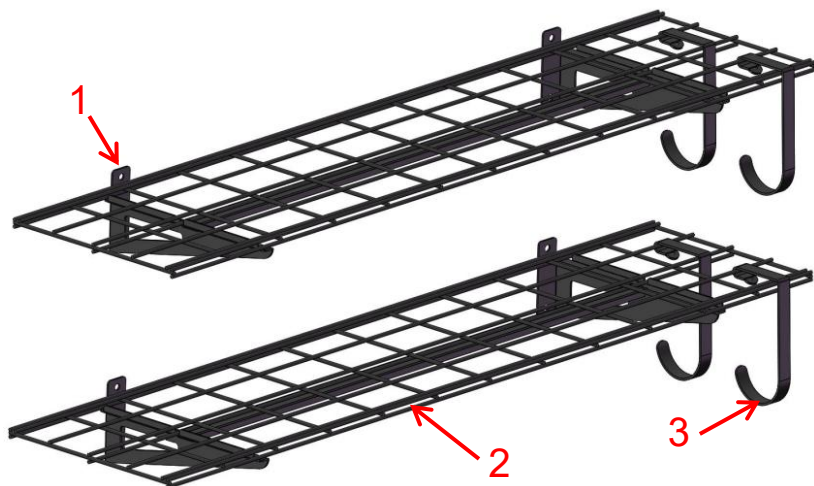
Installationsförberedelse :



MODEL AND PARAMETERS







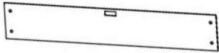







Modell	LL1248
Antal lager	2
Hyllplan S yttstorlek	48x12 tum
Maximal lagerdämpning	200 lbs / per lager (400 lbs totalt)
Material	Stål
Färg	Svart

STRUCTURE DIAGRAM



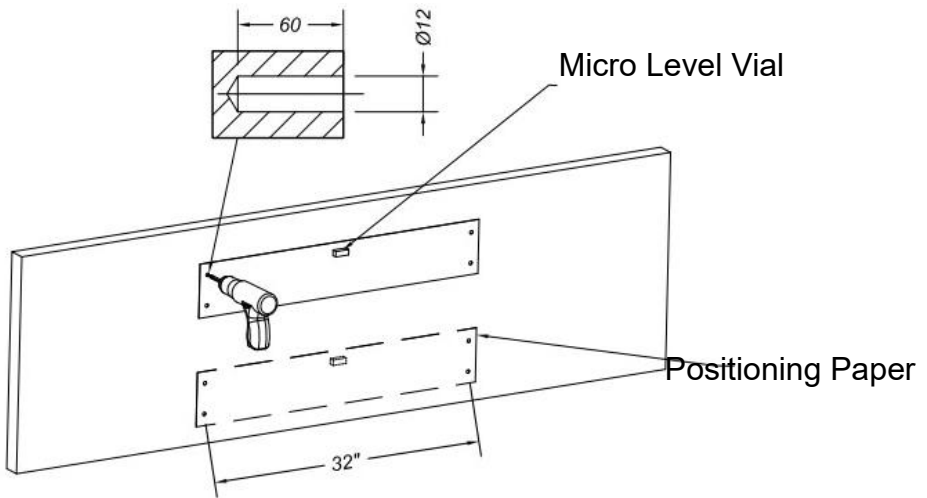
1. Fästen 2. Hylla 3. Krokar

COMPONENTS

Inga	Bild	Namn	Ant
1		Vänster fäste	2
2		Höger fäste	2
3		Hylla	2
4		Balk	2
5		Krok	4
6		L-formad W rench	1
7		Positioneringspapper	1
8		Mikronivåflaska	1
9		Expansion P lug -12*58	8
10		Bricka-8,5	8
11		Hexagon S elf-gängande Skruv-8*60	8
12		Kabel T ie s-12*250	8
13		B olt -M4*8	4
14		Användarmanual	1

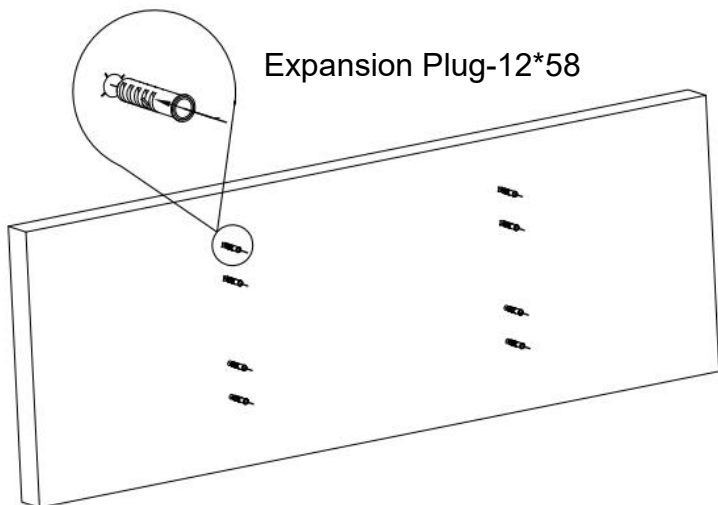
ASSEMBLY

STEG 1-A: Installation på massiva betongväggar

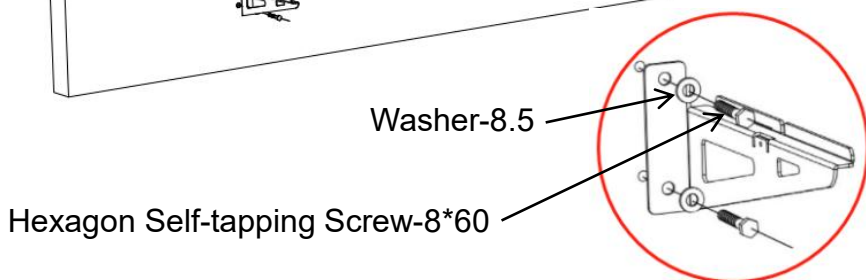
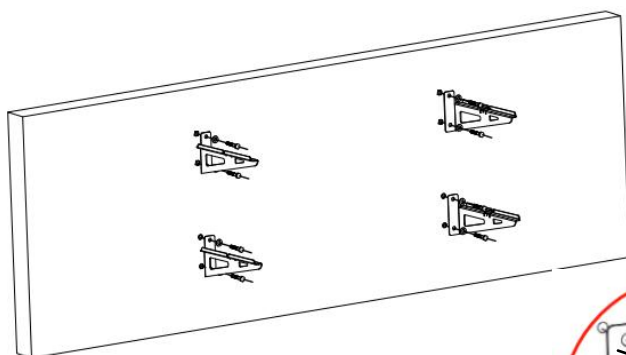


29. Klistra in positioneringspapperet till lämplig höjd, limma Micro-nivåflaskan för att justera nivån och använd sedan hammaren för att lätt borra ut ankarpunkterna .

30. Ta bort positioneringspapperet och borra hål ($\text{Ø} 12 \times 60 \text{mm}$) i väggen. (Positioneringspapperet ska återanvändas 2 gånger.)

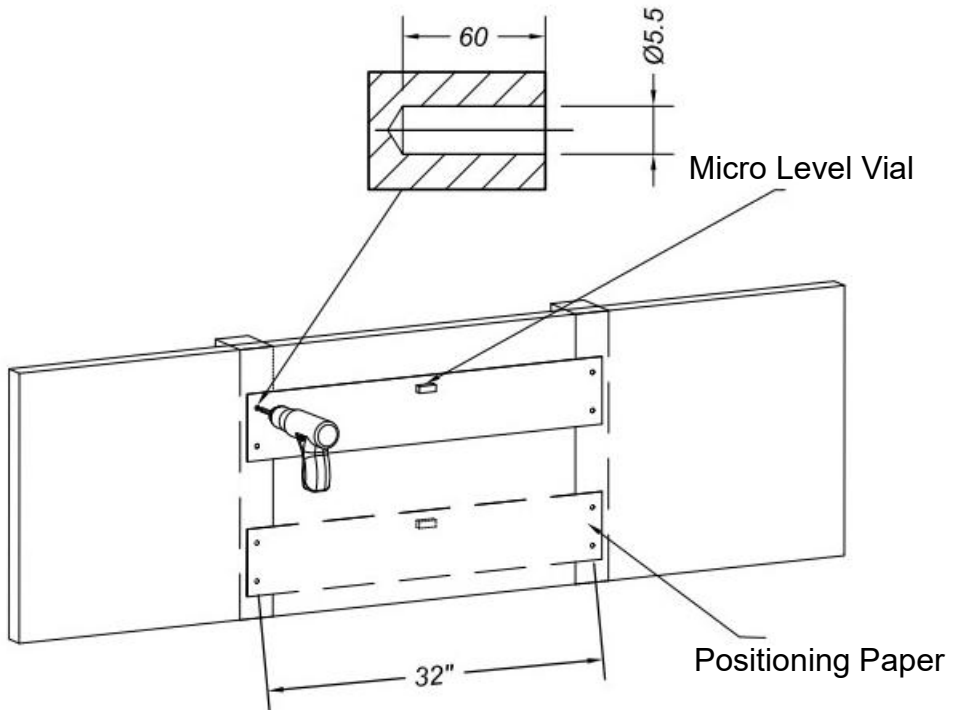


31. Efter att ha rensat bort den kvarvarande jorden i hålet, knacka expansionspluggen helt i hålet.



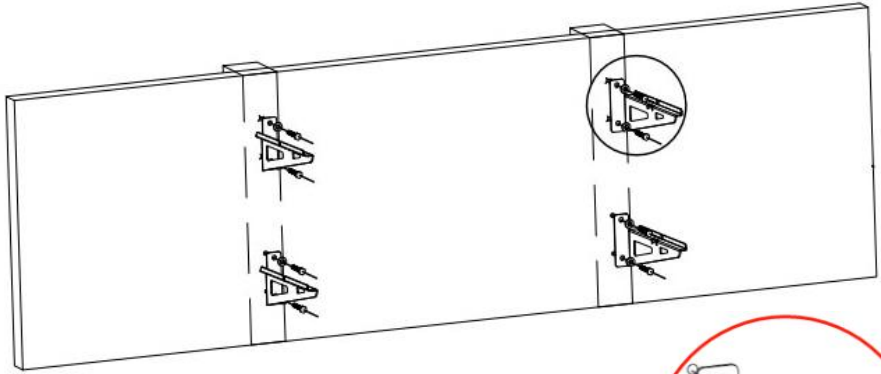
32. Installera och fixera vänster och höger fäste. Skruven måste skruvas in helt och trycks fast !

STEG 1-B: Installation på väggstolpe av trä



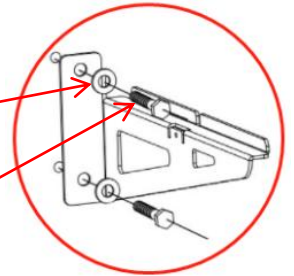
22. Klistra in positioneringspapperet till lämplig höjd, limma Micro-nivåflaskan för att justera nivån och använd sedan hammaren för att lätt borra ut ankarpunkterna .

23. Ta bort positioneringspapperet och borra hål ($\text{Ø}5,5 \times 60$ mm) i väggen. (Positioneringspapperet ska återanvändas 2 gånger.)



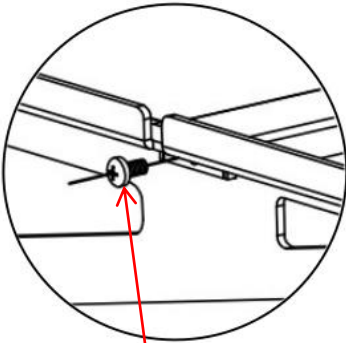
Washer-8.5

Hexagon Self-tapping Screw-8*60

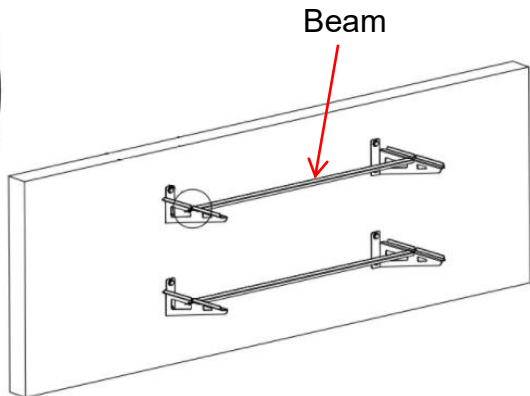


24. Installera och fixera vänster och höger fäste. Skruven måste skruvas in helt!

STEG 2: Montering av B eam

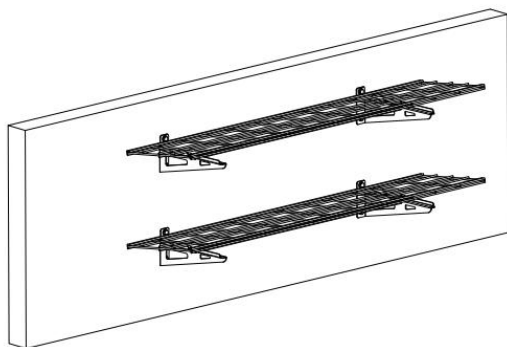


Bolt-M4*8

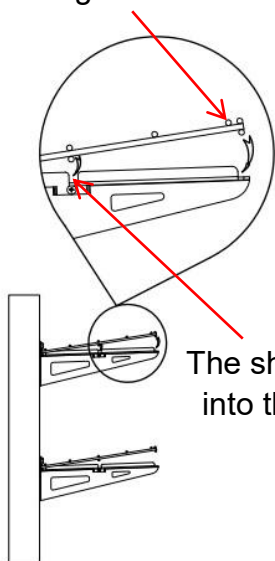


Beam

STEG 3: Installation av hyllan

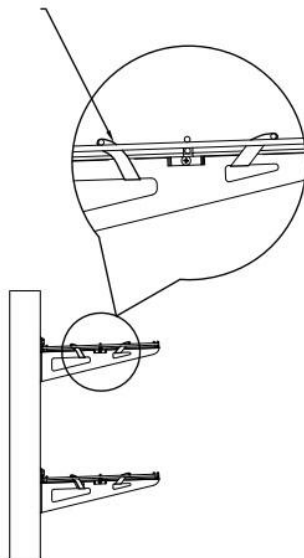


The working face faces up.

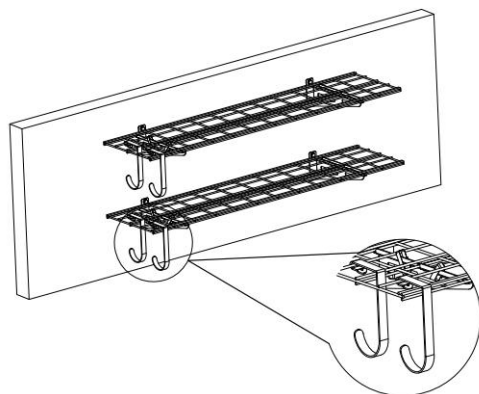
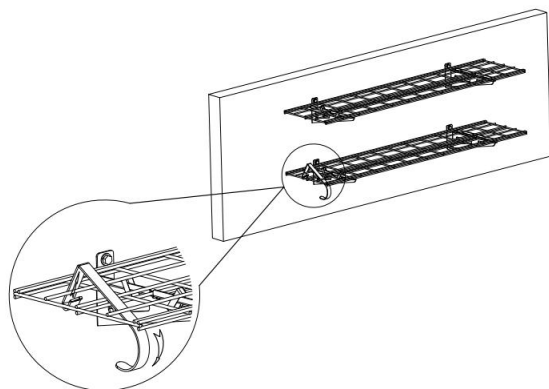


The shelf is stuck into the card slot.

Use 2 cable ties to fix the grid and bracket.



STEG 4: Monteringskrok



MAINTENANCE

29. Överbelasta inte.
30. Försök att undvika att lägga blöta föremål på hyllorna. Håll lagret inte för blött .
31. Kontrollera och bekräfta om skruvarna är lösa varannan månad.
32. Damma av regelbundet med en ren trasa och ordna föremålen snyggt på hyllorna .

VEVOR[®]

TOUGH TOOLS, HALF PRICE

Teknisk Support och e-garanticertifikat

www.vevor.com/support