

VEVOR[®]

TOUGH TOOLS, HALF PRICE

Technical Support and E-Warranty Certificate www.vevor.com/support

Golf Cart Cover

USER MANUAL

We continue to be committed to provide you tools with competitive price.

"Save Half", "Half Price" or any other similar expressions used by us only represents an estimate of savings you might benefit from buying certain tools with us compared to the major top brands and does not necessarily mean to cover all categories of tools offered by us. You are kindly reminded to verify carefully when you are placing an order with us if you are actually saving half in comparison with the top major brands.

VEVOR®

TOUGH TOOLS, HALF PRICE

Golf Cart Cover

MODEL:COV-20; COV-21



Thanks for purchasing one of our products, please read carefully the assembly instructions before the installation.

NEED HELP? CONTACT US!

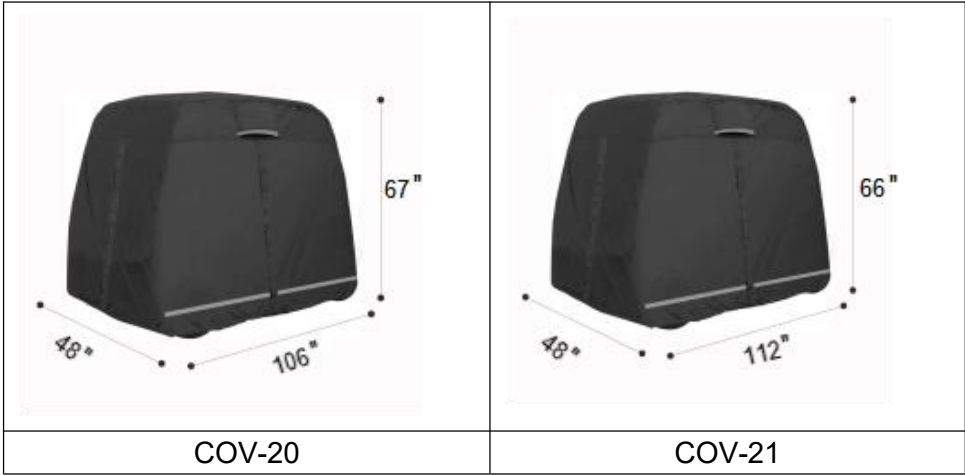
Have product questions? Need technical support? Please feel free to contact us:

Technical Support and E-Warranty Certificate
www.vevor.com/support

This is the original instruction, please read all manual instructions carefully before operating. VEVOR reserves a clear interpretation of our user manual. The appearance of the product shall be subject to the product you received. Please forgive us that we won't inform you again if there are any technology or software updates on our product.

PRODUCT PARAMETERS

| | | |
|---|-----------------------------|--------------|
| Product Name: | Golf Cart Cover | |
| Product Material: | High density polyester 600D | |
| Product Color: | Black | |
| Model: | COV-20 | COV-21 |
| Fits for the chair size: (L*W*H) | 106"x48"x67" | 112"x48"x66" |
| Models: | 2 seats | 4 seats |



General Safety Rules

WARNING:

Please read carefully the following instructions in order to reduce the risk of injuries, accidents or damage to the product by itself.

ASSEMBLY PRECAUTIONS

Do not assemble when tired or under the influence of alcohol, drugs or medication.

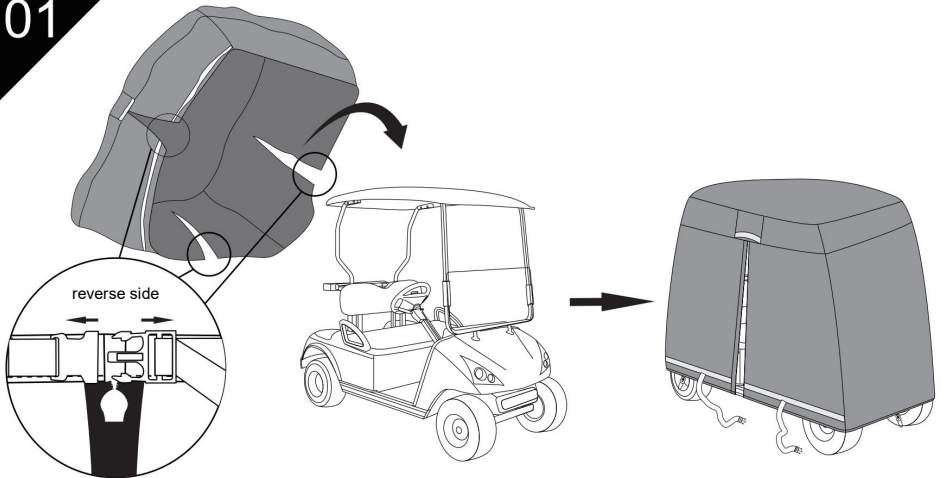
USE PRECAUTIONS

1. Use as intended only.
2. Before use, measure whether the size of the Golf Cart is within the scope of the product description.
3. Please don't put the product beside a heating plant or fires, or pour hot water on it in case of fires, burns and deformation dangers.
4. Please don't allow babies and children to put fragments of this product into their mouth.
5. There may be slight odor when unpacking. Please put the golf cart cover in a ventilated place to give off the odor.
6. Please do not put the product into the washing machine, it is recommended to wash by hand.
7. Please do not contact this product with corrosive chemicals and sharp knives.
8. This product is not a toy. Children and minors are not allowed to use this product to avoid causing personal injury
9. The safety precautions and instructions given in this manual are unable to cover in detail all the conditions and situations that may arise.
10. The operator and/or user must use common sense and caution when operating the product especially for any matters that are not referred in the above.

SAVE THESE INSTRUCTIONS

Installation Method

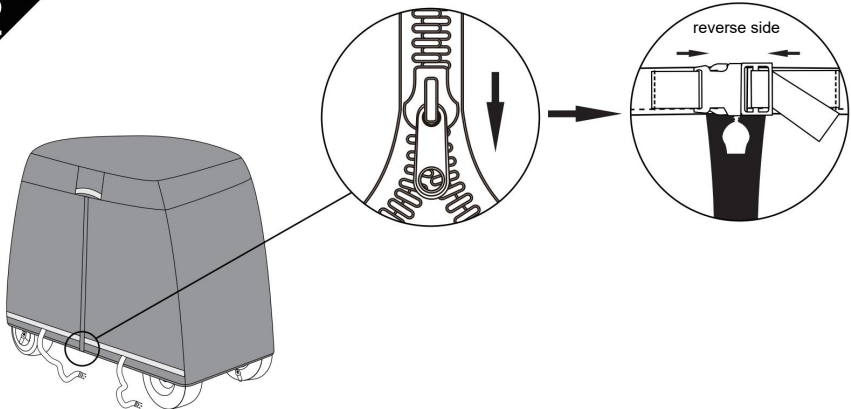
01



Remove the cover from the bag, undo the buckle under the door cover (on the reverse side) on 3 sides of the cover, Pull the zipper open and put the hood over the car.

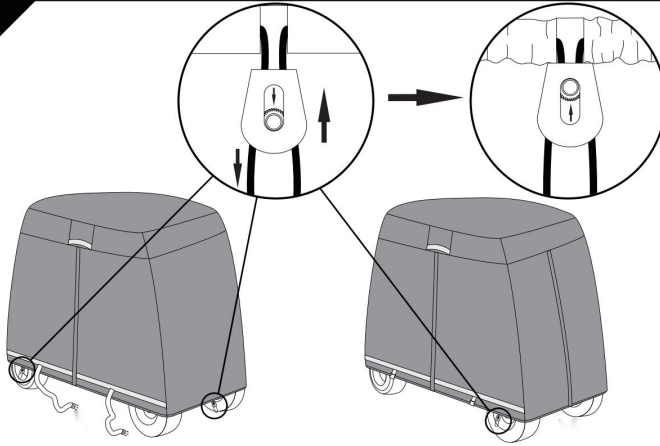
(Note: The side without zipper faces the front of the car)

02



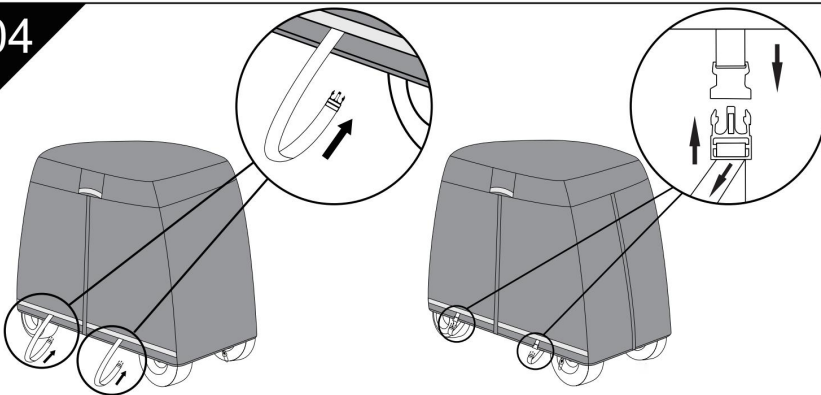
Adjust the cover , so that the four sides are exactly the same as the four sides of the car, pull the three-door zipper and insert the buckle.

03



As shown in the figure, find the three elastic devices located at the bottom of the cover to adjust the tightness of the bottom of the cover according to the marked orientation, Tighten by pulling the rope at the end of the device with one hand and pushing the device up with the other. (To release, slide the slider in the middle of the unit down while pulling the unit down.)

04



As shown in the picture, find the two webbing on the left side of the cover (with a buckle on the head) and send it in from the bottom of the car, Pass to the right to connect with the corresponding female buckle, adjust the webbing length on the male buckle to tie the cover and the car firmly.

Cleaning

-Hand wash with laundry solution and let dry naturally.

Do not machine wash.

Sanven Technology Ltd.

Address: Suite 250, 9166 Anaheim Place, Rancho Cucamonga, CA 91730

Made in China

VEVOR[®]

TOUGH TOOLS, HALF PRICE

Support and E-Warranty Certificate

www.vevor.com/support

VEVOR[®]

TOUGH TOOLS, HALF PRICE

Assistance technique et certificat de garantie électronique www.vevor.com/support

Housse pour voiturette de golf

MANUEL D'UTILISATION

Nous continuons à nous engager à vous fournir des outils à des prix compétitifs.

« Économisez la moitié », « Moitié prix » ou toute autre expression similaire utilisée par nous ne représente qu'une estimation des économies que vous pourriez réaliser en achetant certains outils chez nous par rapport aux grandes marques et ne couvre pas nécessairement toutes les catégories d'outils que nous proposons.

Nous vous rappelons de bien vouloir vérifier soigneusement lorsque vous passez une commande chez nous si vous économisez réellement la moitié par rapport aux grandes marques.

VEVOR[®]
TOUGH TOOLS, HALF PRICE

Housse pour voiturette de golf

MODÈLE : COV-20 ; COV-21



Merci d'avoir acheté l'un de nos produits, veuillez lire attentivement les instructions de montage avant l'installation.

BESOIN D'AIDE? CONTACTEZ-NOUS!

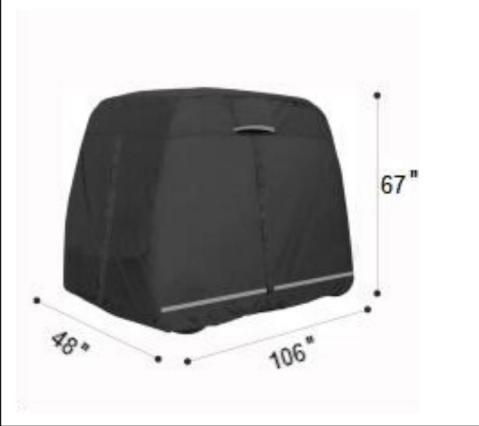
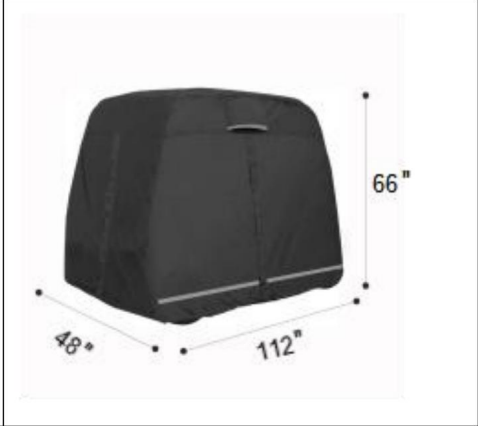
Vous avez des questions sur nos produits ? Vous avez besoin d'assistance technique ? N'hésitez pas à nous contacter :

Assistance technique et certificat de garantie électronique
www.vevor.com/support

Il s'agit de la notice d'utilisation d'origine. Veuillez lire attentivement toutes les instructions du manuel avant de l'utiliser. VEVOR se réserve le droit d'interpréter clairement notre manuel d'utilisation. L'apparence du produit dépend du produit que vous avez reçu. Veuillez nous excuser, nous ne vous informerons plus en cas de mise à jour technologique ou logicielle de notre produit.

PARAMÈTRES DU PRODUIT

| | | |
|---|--------------------------------|--------------|
| Nom du produit : | Housse pour voiturette de golf | |
| Matériau du produit : | Polyester haute densité 600D | |
| Couleur du produit : | Noir | |
| Modèle: | COV-20 | COV-21 |
| Convient pour la taille de la chaise : (L * l * H) | 106"x48"x67" | 112"x48"x66" |
| Modèles : | 2 places | 4 places |

| | |
|---|---|
|  |  |
| COV-20 | COV-21 |

Règles générales de sécurité

AVERTISSEMENT:

Veillez lire attentivement les instructions suivantes afin de réduire le risque de blessures, accidents ou dommages au produit lui-même.

PRÉCAUTIONS D'ASSEMBLAGE

Ne pas monter si vous êtes fatigué ou sous l'influence de l'alcool, de drogues ou de médicaments.

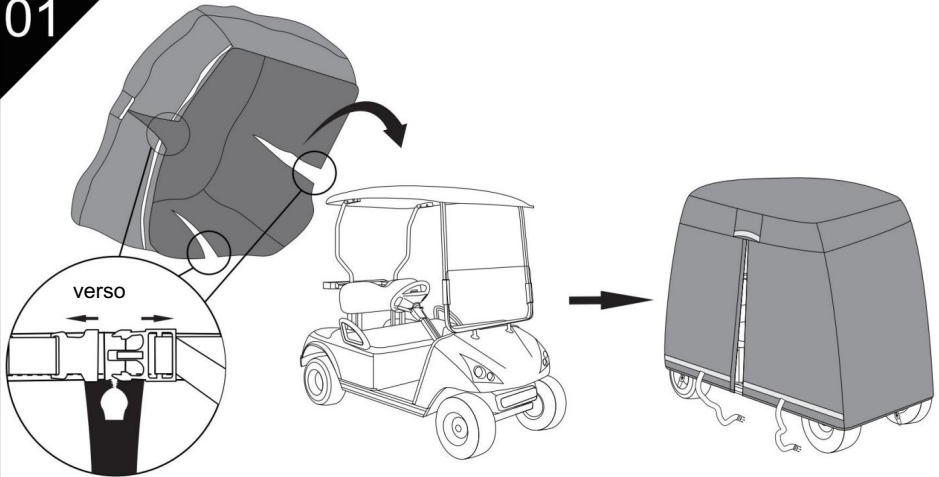
PRÉCAUTIONS D'EMPLOI

1. Utiliser uniquement comme prévu.
2. Avant utilisation, mesurez si la taille du chariot de golf est dans la portée de la description du produit.
3. Veuillez ne pas placer le produit à côté d'une installation de chauffage ou d'un feu, ni verser de l'eau chaude dessus. Il en cas d'incendies, de brûlures et de dangers de déformation.
4. Veuillez ne pas laisser les bébés et les enfants mettre des fragments de ce produit dans leur bouche.
5. Il peut y avoir une légère odeur lors du déballage. Veuillez mettre la housse du chariot de golf dans un endroit aéré pour dégager l'odeur.
6. Veuillez ne pas mettre le produit dans la machine à laver, il est recommandé de laver à la main.
7. Veuillez ne pas mettre ce produit en contact avec des produits chimiques corrosifs et des couteaux tranchants.
8. Ce produit n'est pas un jouet. Les enfants et les mineurs ne sont pas autorisés à utiliser ce produit. Pour éviter de causer des blessures corporelles
9. Les précautions et instructions de sécurité données dans ce manuel ne peuvent pas couvrir en détail toutes les conditions et situations qui peuvent survenir.
10. L'opérateur et/ou l'utilisateur doivent faire preuve de bon sens et de prudence lors de l'utilisation le produit spécialement pour toutes les questions qui ne sont pas mentionnées ci-dessus.

CONSERVEZ CES INSTRUCTIONS

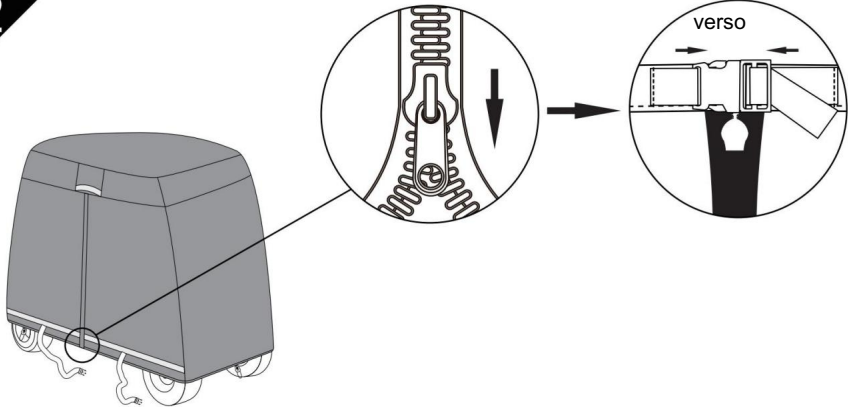
Méthode d'installation

01



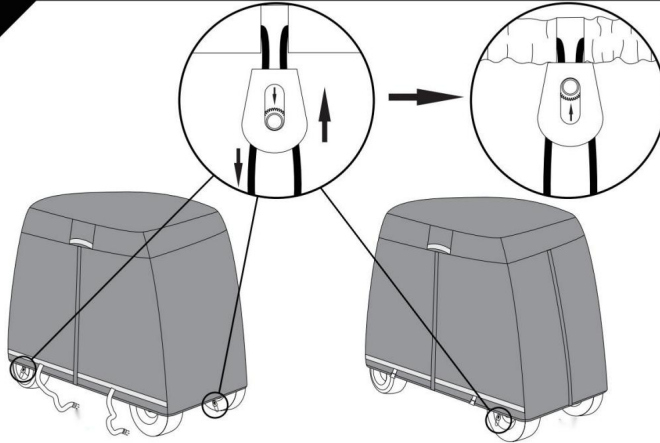
Remove the cover from the bag, undo the buckle under the door cover (on the reverse side) on 3 sides of the cover, Pull the zipper open and put the hood over the car.
(Note: The side without zipper faces the front of the car)

02



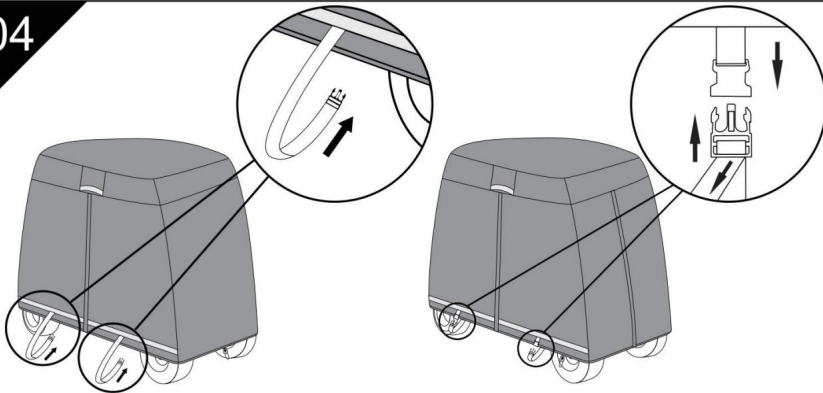
Adjust the cover ,
so that the four sides are exactly the same as the four sides of the car,
pull the three-door zipper and insert the buckle.

03



As shown in the figure, find the three elastic devices located at the bottom of the cover to adjust the tightness of the bottom of the cover according to the marked orientation, Tighten by pulling the rope at the end of the device with one hand and pushing the device up with the other. (To release, slide the slider in the middle of the unit down while pulling the unit down.)

04



As shown in the picture, find the two webbing on the left side of the cover (with a buckle on the head) and send it in from the bottom of the car, Pass to the right to connect with the corresponding female buckle, adjust the webbing length on the male buckle to tie the cover and the car firmly.

Nettoyage

-Laver à la main avec une solution de lessive et laisser sécher naturellement.

Ne pas laver en machine.

Sanven Technologie Ltée.

Adresse : Suite 250, 9166 Anaheim Place, Rancho Cucamonga, CA 91730

Fabriqué en Chine

VEVOR®

TOUGH TOOLS, HALF PRICE

Certificat d'assistance et de garantie
électronique www.vevor.com/support

VEVOR[®]

TOUGH TOOLS, HALF PRICE

Technischer Support und E-Garantie-Zertifikat www.vevor.com/support

Golfwagen-Abdeckung

BENUTZERHANDBUCH

Wir sind weiterhin bestrebt, Ihnen Werkzeuge zu wettbewerbsfähigen Preisen anzubieten.

„Sparen Sie die Hälfte“, „Halber Preis“ oder andere ähnliche Ausdrücke, die wir verwenden, stellen nur eine Schätzung der Ersparnis dar, die Sie beim Kauf bestimmter Werkzeuge bei uns im Vergleich zu den großen Topmarken erzielen können, und decken nicht unbedingt alle von uns angebotenen Werkzeugkategorien ab. Wir möchten Sie freundlich daran erinnern, bei Ihrer Bestellung bei uns sorgfältig zu prüfen, ob Sie im Vergleich zu den großen Topmarken tatsächlich die Hälfte sparen.

VEVOR[®]
TOUGH TOOLS, HALF PRICE

Golfwagen-Abdeckung

MODELL: COV-20yCOV-21



Vielen Dank für den Kauf eines unserer Produkte. Bitte lesen Sie die Montageanleitung vor der Installation sorgfältig durch.

Brauchen Sie Hilfe? Kontaktieren Sie uns!

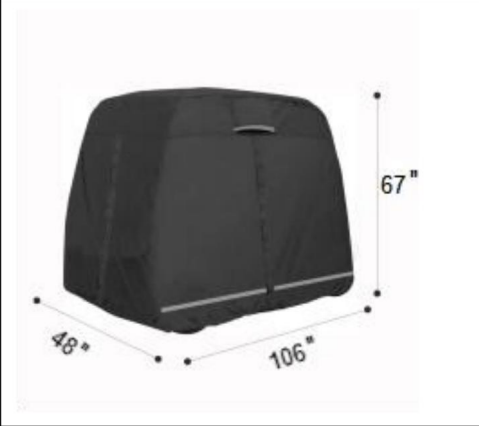
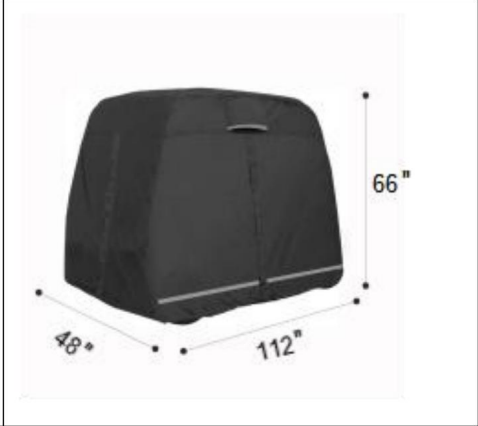
Sie haben Fragen zu unseren Produkten? Sie benötigen technischen Support? Dann kontaktieren Sie uns gerne:

Technischer Support und E-Garantie-Zertifikat
www.vevor.com/support

Dies ist die Originalanleitung. Bitte lesen Sie alle Anweisungen sorgfältig durch, bevor Sie das Gerät in Betrieb nehmen. VEVOR behält sich eine klare Auslegung unserer Bedienungsanleitung vor. Das Erscheinungsbild des Produkts richtet sich nach dem Produkt, das Sie erhalten haben. Bitte verzeihen Sie uns, dass wir Sie nicht erneut informieren, wenn es Technologie- oder Software-Updates für unser Produkt gibt.

PRODUKTPARAMETER

| | | |
|---|----------------------------|--------------|
| Produktname: | Golfwagen-Abdeckung | |
| Produktmaterial: | Hochdichtes Polyester 600D | |
| Produktfarbe: | Schwarz | |
| Modell: | COV-20 | COV-21 |
| Passend für Stuhlgröße : (L*B*H) | 106"x48"x67" | 112"x48"x66" |
| Modelle: | 2 Sitze | 4 Sitzplätze |

| | |
|---|---|
|  |  |
| COV-20 | COV-21 |

Allgemeine Sicherheitsregeln

WARNUNG:

Bitte lesen Sie die folgenden Anweisungen sorgfältig durch, um das Risiko von Verletzungen, Unfälle oder Schäden am Produkt selbst.

VORSICHTSMASSNAHMEN BEI DER MONTAGE

Nicht zusammenbauen, wenn Sie müde sind oder unter Einfluss von Alkohol, Drogen oder Medikamenten stehen.

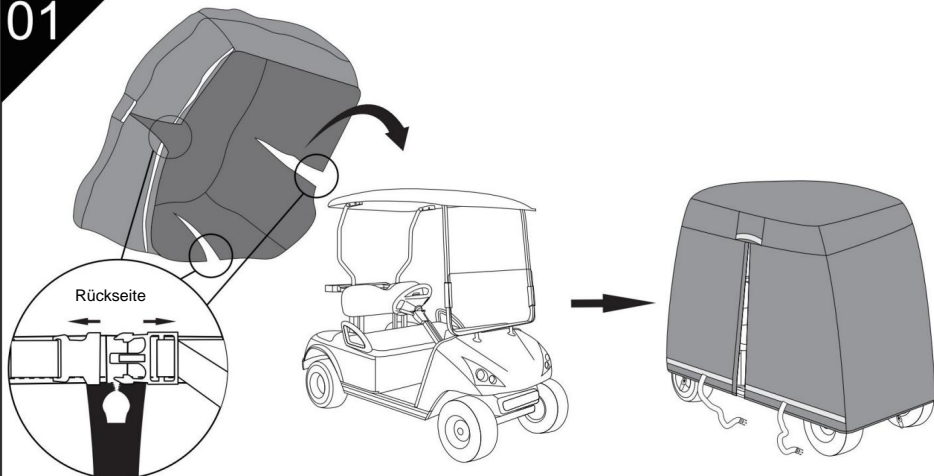
VORSICHTSMASSNAHMEN BEIM GEBRAUCH

1. Nur bestimmungsgemäß verwenden.
2. Messen Sie vor dem Gebrauch, ob die Größe des Golfwagens im Rahmen der Produktbeschreibung.
3. Bitte stellen Sie das Produkt nicht neben eine Heizung oder ein Feuer und gießen Sie kein heißes Wasser darauf. es besteht Brand-, Verbrennungs- und Verformungsgefahr.
4. Bitte lassen Sie Babys und Kinder keine Teile dieses Produkts in ihre Mund.
5. Beim Auspacken kann es zu leichten Gerüchen kommen. Bitte legen Sie die Golfwagenabdeckung in einen belüfteten Ort, damit der Geruch entweichen kann.
6. Bitte geben Sie das Produkt nicht in die Waschmaschine. Es wird empfohlen, von Hand waschen.
7. Bitte bringen Sie dieses Produkt nicht mit ätzenden Chemikalien und scharfen Messern in Kontakt.
8. Dieses Produkt ist kein Spielzeug. Kinder und Minderjährige dürfen dieses Produkt nicht benutzen. um Verletzungen zu vermeiden
9. Die Sicherheitshinweise und Anweisungen in diesem Handbuch decken nicht im Detail alle Bedingungen und Situationen, die auftreten können.
10. Der Bediener und/oder Benutzer muss beim Betrieb gesunden Menschenverstand und Vorsicht walten lassen. das Produkt, insbesondere für alle Angelegenheiten, die oben nicht erwähnt wurden.

BEWAHREN SIE DIESE ANWEISUNGEN AUF

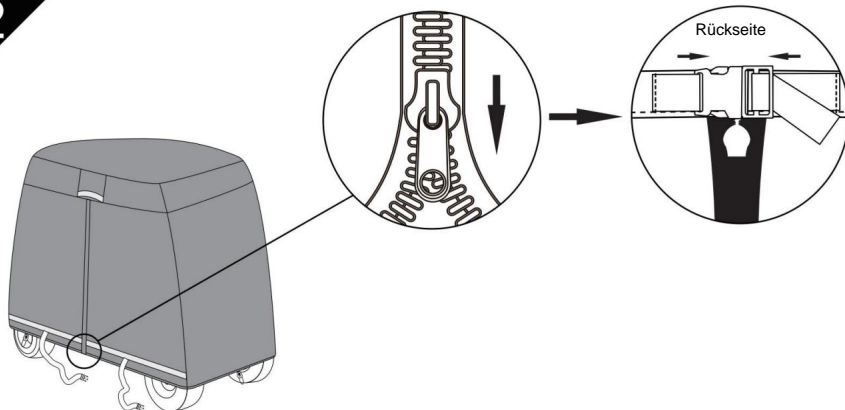
Installationsmethode

01



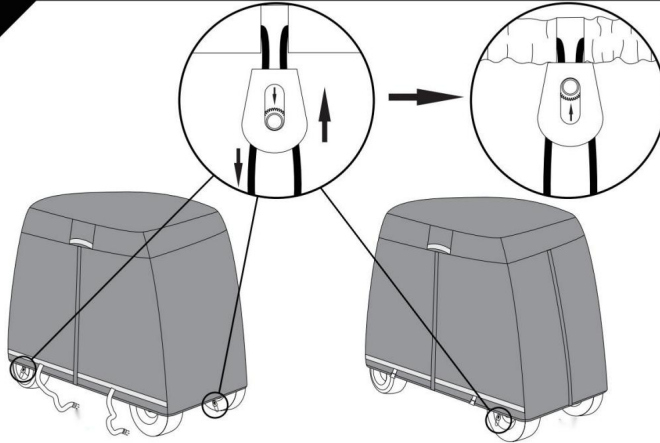
Remove the cover from the bag, undo the buckle under the door cover (on the reverse side) on 3 sides of the cover, Pull the zipper open and put the hood over the car.
(Note: The side without zipper faces the front of the car)

02



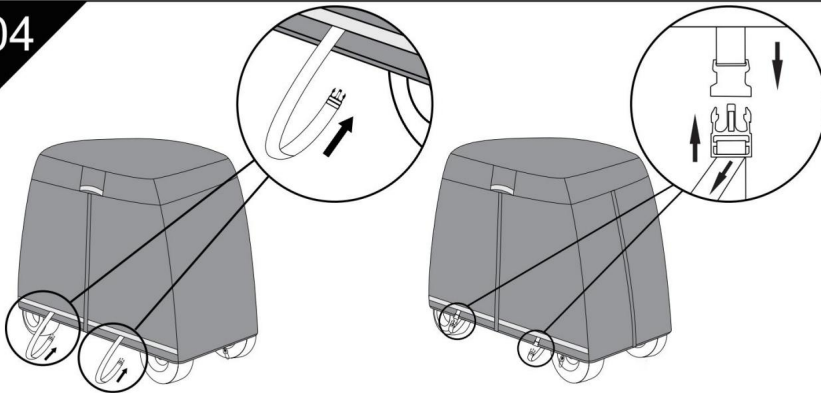
Adjust the cover ,
so that the four sides are exactly the same as the four sides of the car,
pull the three-door zipper and insert the buckle.

03



As shown in the figure, find the three elastic devices located at the bottom of the cover to adjust the tightness of the bottom of the cover according to the marked orientation, Tighten by pulling the rope at the end of the device with one hand and pushing the device up with the other. (To release, slide the slider in the middle of the unit down while pulling the unit down.)

04



As shown in the picture, find the two webbing on the left side of the cover (with a buckle on the head) and send it in from the bottom of the car, Pass to the right to connect with the corresponding female buckle, adjust the webbing length on the male buckle to tie the cover and the car firmly.

Reinigung

- Mit Waschmittellösung von Hand waschen und natürlich trocknen lassen.
Nicht in der Maschine waschen.

Sanven Technology Ltd.

Adresse: Suite 250, 9166 Anaheim Place, Rancho Cucamonga, CA 91730

In China hergestellt

VEVOR®

TOUGH TOOLS, HALF PRICE

Support und E-Garantie-Zertifikat

www.vevor.com/support

VEVOR[®]

TOUGH TOOLS, HALF PRICE

Supporto tecnico e certificato di garanzia elettronica www.vevor.com/support

Copertura per carrello da golf

MANUALE D'USO

Continuiamo a impegnarci per fornirvi strumenti a prezzi competitivi.

"Risparmia la metà", "Metà prezzo" o qualsiasi altra espressione simile da noi utilizzata rappresenta solo una stima del risparmio che potresti ottenere acquistando determinati utensili con noi rispetto ai principali marchi principali e non significa necessariamente coprire tutte le categorie di utensili da noi offerti. Ti ricordiamo gentilmente di verificare attentamente quando effettui un ordine con noi se stai effettivamente risparmiando la metà rispetto ai principali marchi principali.

VEVOR[®]
TOUGH TOOLS, HALF PRICE

Copertura per carrello da golf

MODELLO: COV-20yCOV-21



Grazie per aver acquistato uno dei nostri prodotti. Vi preghiamo di leggere attentamente le istruzioni di montaggio prima dell'installazione.

HAI BISOGNO DI AIUTO? CONTATTACI!

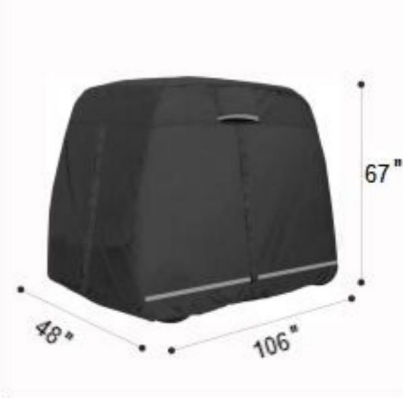
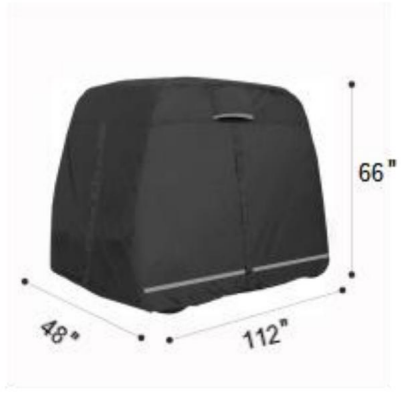
Hai domande sui prodotti? Hai bisogno di supporto tecnico? Non esitare a contattarci:

Supporto tecnico e certificato di garanzia elettronica
www.vevor.com/support

Questa è l'istruzione originale, si prega di leggere attentamente tutte le istruzioni del manuale prima di utilizzare. VEVOR si riserva una chiara interpretazione del nostro manuale utente. L'aspetto del prodotto sarà soggetto al prodotto ricevuto. Vi preghiamo di perdonarci se non vi informeremo di nuovo se ci sono aggiornamenti tecnologici o software sul nostro prodotto.

PARAMETRI DEL PRODOTTO

| | | |
|--|---------------------------------|--------------|
| Nome del prodotto: | Copertura per carrello da golf | |
| Materiale del prodotto: | Poliestere ad alta densità 600D | |
| Colore del prodotto: | Nero | |
| Modello: | COV-20 | COV-21 |
| Adatto per la dimensione della sedia: (L*W*H) | 106"x48"x67" | 112"x48"x66" |
| Modelli: | 2 posti | 4 posti |

| | |
|---|--|
|  |  |
| COV-20 | COV-21 |

Norme generali di sicurezza

AVVERTIMENTO:

Si prega di leggere attentamente le seguenti istruzioni per ridurre il rischio di lesioni, incidenti o danni al prodotto stesso.

PRECAUZIONI DI MONTAGGIO

Non riunirsi quando si è stanchi o sotto l'effetto di alcol, droghe o farmaci.

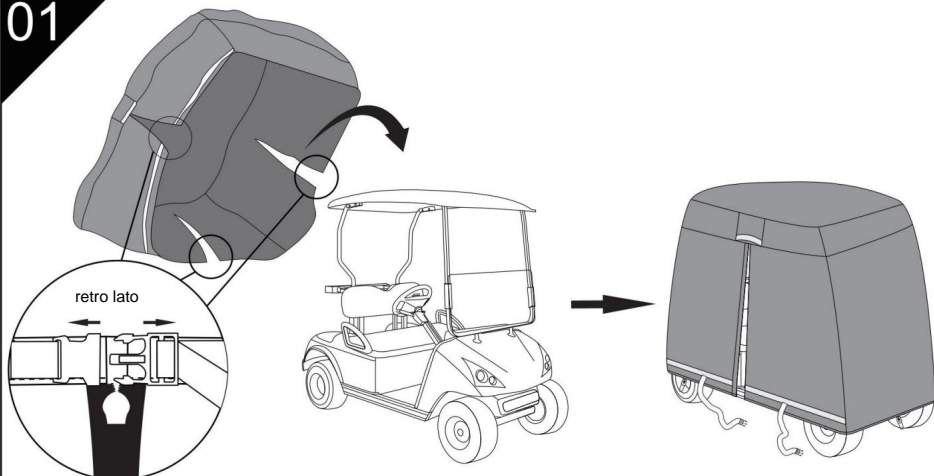
PRECAUZIONI D'USO

1. Utilizzare solo come previsto.
2. Prima dell'uso, misurare se le dimensioni del carrello da golf rientrano nell'ambito dell' descrizione del prodotto.
3. Non posizionare il prodotto vicino a un impianto di riscaldamento o a un fuoco, né versare acqua calda su di esso. in caso di incendi, ustioni e pericoli di deformazione.
4. Si prega di non consentire ai neonati e ai bambini di mettere frammenti di questo prodotto nel loro bocca.
5. Potrebbe esserci un leggero odore quando si disimballa. Si prega di mettere la copertura del carrello da golf in un luogo ventilato in cui l'odore possa diffondersi.
6. Si consiglia di non mettere il prodotto in lavatrice. lavare a mano.
7. Si prega di non mettere a contatto questo prodotto con sostanze chimiche corrosive e coltelli affilati.
8. Questo prodotto non è un giocattolo. I bambini e i minorenni non sono autorizzati a utilizzare questo prodotto per evitare di causare lesioni personali
9. Le precauzioni di sicurezza e le istruzioni fornite nel presente manuale non sono in grado di coprire in dettaglio tutte le condizioni e le situazioni che possono presentarsi.
10. L'operatore e/o l'utente devono usare buon senso e cautela durante l'uso il prodotto in particolare per tutti gli aspetti non menzionati sopra.

SALVA QUESTE ISTRUZIONI

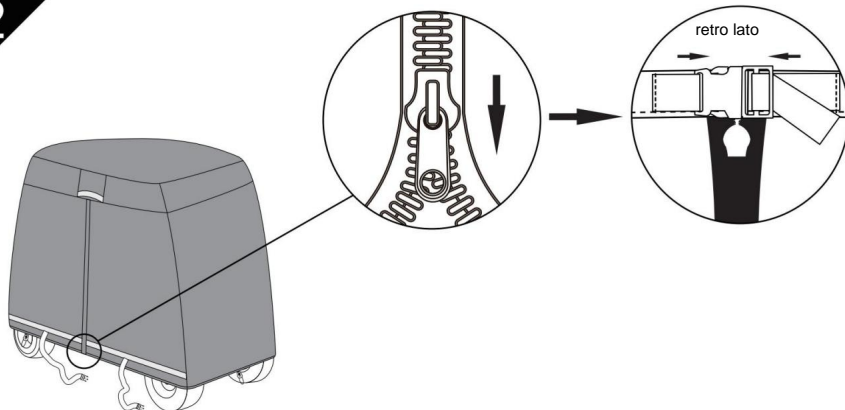
Metodo di installazione

01



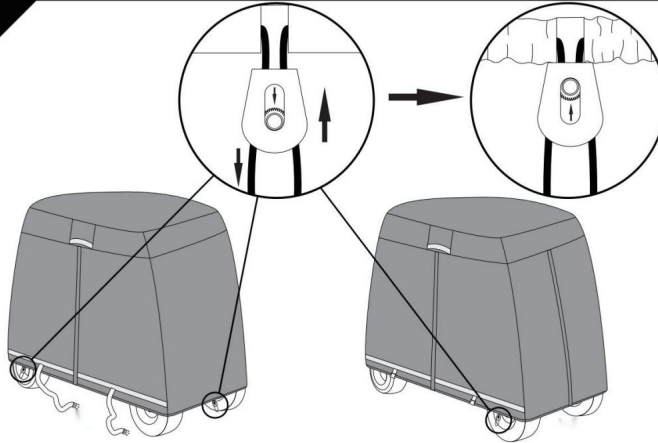
Remove the cover from the bag, undo the buckle under the door cover (on the reverse side) on 3 sides of the cover, Pull the zipper open and put the hood over the car.
(Note: The side without zipper faces the front of the car)

02



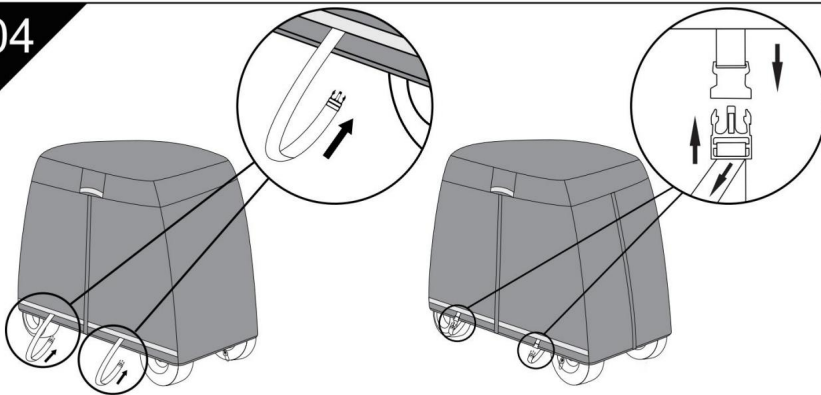
Adjust the cover ,
so that the four sides are exactly the same as the four sides of the car,
pull the three-door zipper and insert the buckle.

03



As shown in the figure, find the three elastic devices located at the bottom of the cover to adjust the tightness of the bottom of the cover according to the marked orientation, Tighten by pulling the rope at the end of the device with one hand and pushing the device up with the other. (To release, slide the slider in the middle of the unit down while pulling the unit down.)

04



As shown in the picture, find the two webbing on the left side of the cover (with a buckle on the head) and send it in from the bottom of the car, Pass to the right to connect with the corresponding female buckle, adjust the webbing length on the male buckle to tie the cover and the car firmly.

Pulizia

-Lavare a mano con una soluzione per il bucato e lasciare asciugare naturalmente.

Non lavare in lavatrice.

Azienda

Indirizzo: Suite 250, 9166 Anaheim Place, Rancho Cucamonga, CA 91730

Made in China

VEVOR®

TOUGH TOOLS, HALF PRICE

Supporto e certificato di garanzia
elettronica www.vevor.com/support

VEVOR[®]

TOUGH TOOLS, HALF PRICE

Soporte técnico y certificado de garantía electrónica www.vevor.com/support

Funda para carrito de golf

MANUAL DEL USUARIO

Seguimos comprometidos a brindarle herramientas a precios competitivos.

"Ahorre la mitad", "mitad de precio" o cualquier otra expresión similar que utilicemos solo representa una estimación del ahorro que podría obtener al comprar ciertas herramientas con nosotros en comparación con las principales marcas y no necesariamente significa que cubra todas las categorías de herramientas que ofrecemos. Le recordamos que, al realizar un pedido con nosotros, verifique cuidadosamente si realmente está ahorrando la mitad en comparación con las principales marcas.

VEVOR[®]
TOUGH TOOLS, HALF PRICE

Funda para carrito de golf

MODELO: COV-20COV-21



Gracias por adquirir uno de nuestros productos, lea atentamente las instrucciones de montaje antes de la instalación.

¿NECESITA AYUDA? ¡CONTÁCTENOS!

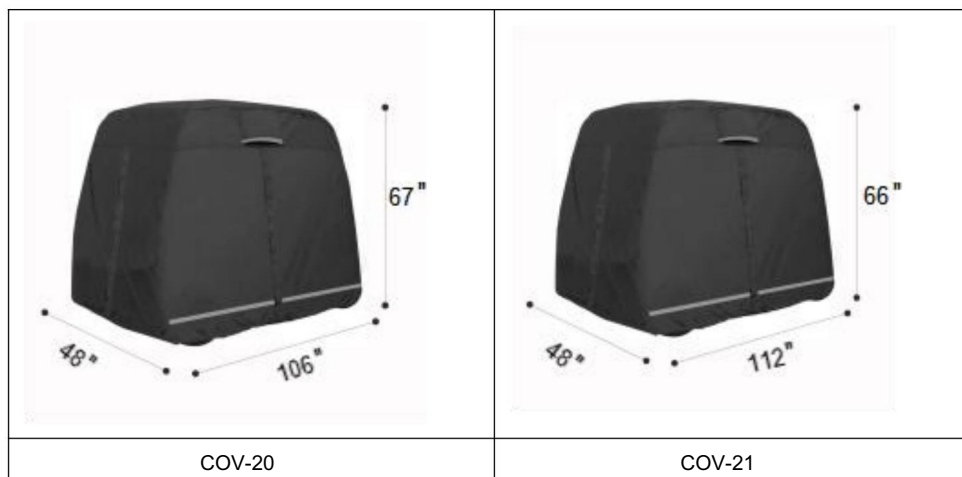
¿Tiene preguntas sobre el producto? ¿Necesita asistencia técnica? No dude en ponerse en contacto con nosotros:

Soporte técnico y certificado de garantía electrónica
www.vevor.com/support

Estas son las instrucciones originales, lea atentamente todas las instrucciones del manual antes de utilizar el producto. VEVOR se reserva una interpretación clara de nuestro manual de usuario. La apariencia del producto estará sujeta al producto que recibió. Perdónenos por no informarle nuevamente si hay actualizaciones de tecnología o software en nuestro producto.

PARÁMETROS DEL PRODUCTO

| | | |
|---|---------------------------------|------------------|
| Nombre del producto: | Funda para carrito de golf | |
| Material del producto: | Poliéster de alta densidad 600D | |
| Color del producto: | Negro | |
| Modelo: | COV-20 | COV-21 |
| Sirve para Tamaño de la silla : (largo x ancho x alto) | 106" x 48" x 67" | 112" x 48" x 66" |
| Modelos: | 2 asientos | 4 asientos |



Normas generales de seguridad

ADVERTENCIA:

Lea atentamente las siguientes instrucciones para reducir el riesgo de lesiones, accidentes o daños al producto en sí.

PRECAUCIONES DE MONTAJE

No se reúna cuando esté cansado o bajo la influencia del alcohol, drogas o medicamentos.

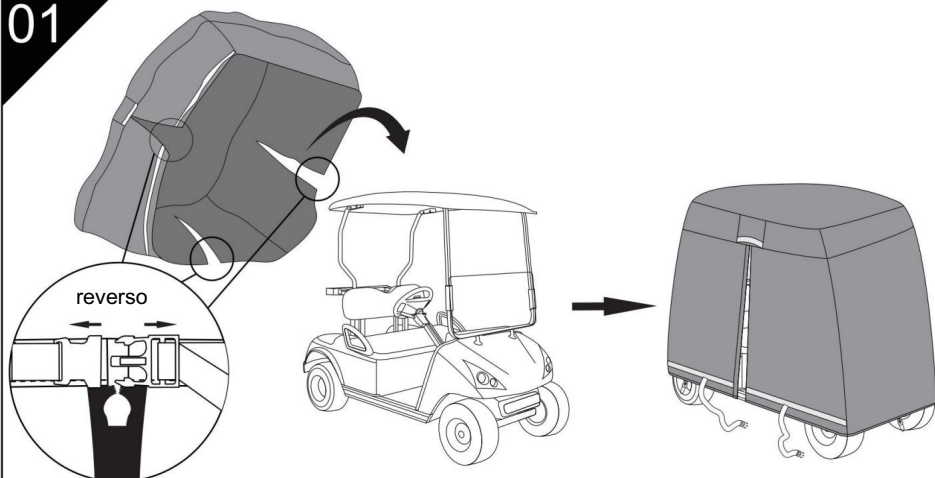
PRECAUCIONES DE USO

1. Utilícelo únicamente según lo previsto.
2. Antes de usarlo, mida si el tamaño del carrito de golf está dentro del alcance de la Descripción del Producto.
3. No coloque el producto cerca de una planta de calefacción o fuego, ni vierta agua caliente sobre él. En caso de incendio, quemaduras y peligro de deformación.
4. No permita que los bebés y los niños introduzcan fragmentos de este producto en sus boca.
5. Puede haber un ligero olor al desembalar. Coloque la funda del carrito de golf en un lugar Lugar ventilado para desprender el olor.
6. No coloque el producto en la lavadora, se recomienda Lavar a mano.
7. No ponga este producto en contacto con productos químicos corrosivos ni cuchillos afilados.
8. Este producto no es un juguete. Los niños y menores de edad no pueden utilizar este producto. Para evitar causar lesiones personales
9. Las precauciones e instrucciones de seguridad proporcionadas en este manual no pueden cubrir detalladamente todas las condiciones y situaciones que puedan presentarse.
10. El operador y/o usuario debe utilizar el sentido común y la precaución al operar. el producto especialmente para cualquier asunto no contemplado en el apartado anterior.

GUARDE ESTAS INSTRUCCIONES

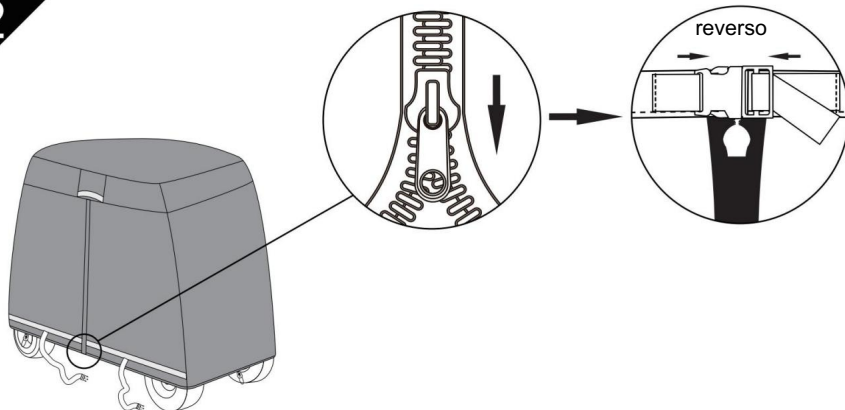
Método de instalación

01



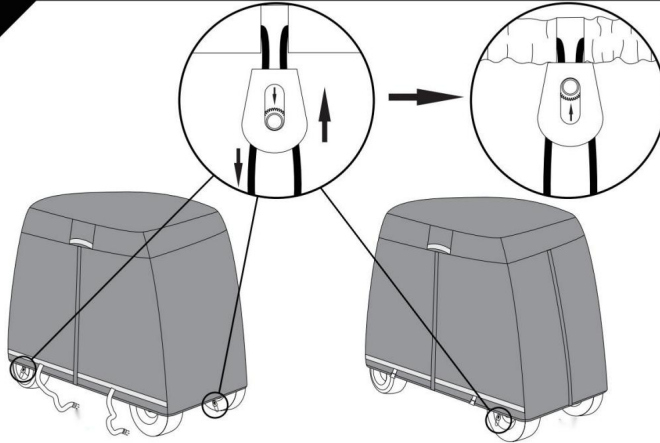
Remove the cover from the bag, undo the buckle under the door cover (on the reverse side) on 3 sides of the cover, Pull the zipper open and put the hood over the car.
(Note: The side without zipper faces the front of the car)

02



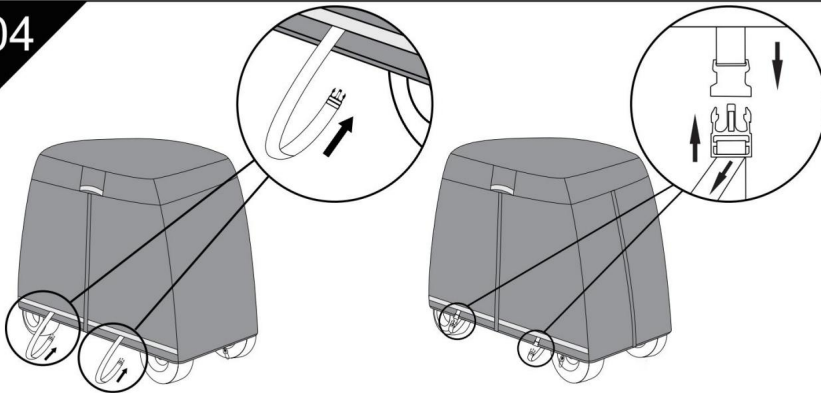
Adjust the cover ,
so that the four sides are exactly the same as the four sides of the car,
pull the three-door zipper and insert the buckle.

03



As shown in the figure, find the three elastic devices located at the bottom of the cover to adjust the tightness of the bottom of the cover according to the marked orientation, Tighten by pulling the rope at the end of the device with one hand and pushing the device up with the other. (To release, slide the slider in the middle of the unit down while pulling the unit down.)

04



As shown in the picture, find the two webbing on the left side of the cover (with a buckle on the head) and send it in from the bottom of the car, Pass to the right to connect with the corresponding female buckle, adjust the webbing length on the male buckle to tie the cover and the car firmly.

Limpieza

-Lavar a mano con solución de lavandería y dejar secar naturalmente.

No lavar a máquina.

Tecnología Sanven Ltd.

Dirección: Suite 250, 9166 Anaheim Place, Rancho Cucamonga, CA 91730

Hecho en china

VEVOR®

TOUGH TOOLS, HALF PRICE

Soporte y certificado de garantía
electrónica www.vevor.com/support

VEVOR®

TOUGH TOOLS, HALF PRICE

Wsparcie techniczne i certyfikat gwarancji elektronicznej www.vevor.com/support

Pokrowiec na wózek golfowy

INSTRUKCJA OBSŁUGI

Nadal staramy się oferować Państwu narzędzia w konkurencyjnych cenach.

„Oszczędź połowę”, „Połowa ceny” lub inne podobne wyrażenia używane przez nas stanowią jedynie szacunkowe oszczędności, jakie możesz uzyskać, kupując u nas określone narzędzia w porównaniu z głównymi markami i niekoniecznie oznaczają one objęcie wszystkich kategorii narzędzi oferowanych przez nas. Uprzejmie przypominamy, aby dokładnie sprawdzić, czy składając u nas zamówienie faktycznie oszczędzasz połowę w porównaniu z głównymi markami.

VEVOR[®]
TOUGH TOOLS, HALF PRICE

Pokrowiec na wózek golfowy

MODEL: COV-20; COV-21



Dziękujemy za zakup jednego z naszych produktów. Przed instalacją prosimy o dokładne zapoznanie się z instrukcją montażu.

POTRZEBUJESZ POMOCY? SKONTAKTUJ SIĘ Z NAMI!

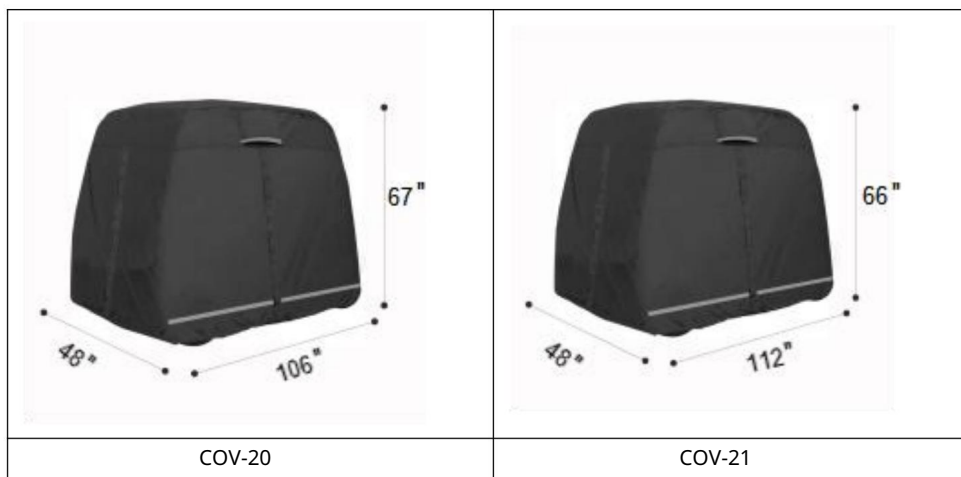
Masz pytania dotyczące produktu? Potrzebujesz wsparcia technicznego? Skontaktuj się z nami:

Wsparcie techniczne i certyfikat gwarancji elektronicznej
www.vevor.com/support

To jest oryginalna instrukcja, przed użyciem należy uważnie przeczytać wszystkie instrukcje. VEVOR zastrzega sobie jasną interpretację naszej instrukcji obsługi. Wygląd produktu będzie zależał od produktu, który otrzymałeś. Prosimy o wybaczenie, że nie poinformujemy Cię ponownie, jeśli w naszym produkcie pojawią się jakiegokolwiek aktualizacje technologiczne lub oprogramowania.

PARAMETRY PRODUKTU

| | | |
|---|------------------------------------|--------------|
| Nazwa produktu: | Pokrowiec na wózek golfowy | |
| Materiał produktu: | Poliester o wysokiej gęstości 600D | |
| Kolor produktu: | Czarny | |
| Model: | COV-20 | COV-21 |
| Pasuje do wymiary krzesła : (dł.*szer.*wys.) | 106"x48"x67" | 112"x48"x66" |
| Modele: | 2 miejsca | 4 miejsca |



Ogólne zasady bezpieczeństwa

OSTRZEŻENIE:

Aby zmniejszyć ryzyko, należy uważnie przeczytać poniższe instrukcje. obrażeń ciała, wypadków lub uszkodzeń samego produktu.

ŚRODKI OSTROŻNOŚCI PODCZAS MONTAŻU

Nie przychodź na spotkania, jeśli jesteś zmęczony lub pod wpływem alkoholu, narkotyków lub leków.

ŚRODKI OSTROŻNOŚCI

1. Stosować wyłącznie zgodnie z przeznaczeniem.

2. Przed użyciem należy sprawdzić, czy rozmiar wózka golfowego mieści się w zakresie opis produktu.

3. Nie umieszczaj produktu w pobliżu źródła ciepła lub ognia, ani nie polewaj go gorącą wodą. na wypadek pożaru, oparzeń i niebezpieczeństwa deformacji.

4. Nie należy pozwalać dzieciom i niemowlętom na wkładanie fragmentów tego produktu do ich łózek. usta.

5. Podczas rozpakowywania może być wyczuwalny delikatny zapach. Proszę umieścić pokrowiec na wózek golfowy w wentylowane miejsce, aby pozbyć się zapachu.

6. Nie należy wkładać produktu do pralki, zaleca się pranie w pralce. prać ręcznie.

7. Nie należy narażać produktu na kontakt z żrącymi substancjami chemicznymi i ostrymi nożami.

8. Ten produkt nie jest zabawką. Dzieci i osoby niepełnoletnie nie mogą używać tego produktu. aby uniknąć spowodowania obrażeń ciała

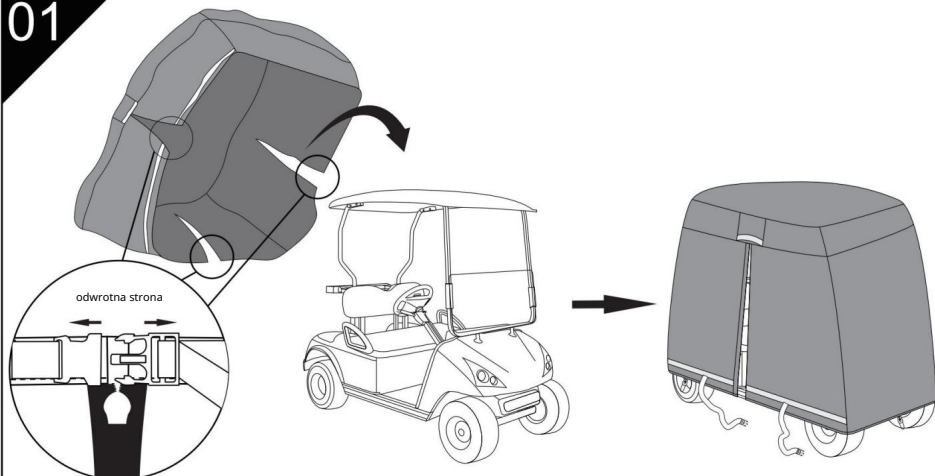
9. Środki ostrożności i instrukcje podane w niniejszej instrukcji nie obejmują: szczególnie wszystkie warunki i sytuacje, które mogą wystąpić.

10. Operator i/lub użytkownik musi zachować zdrowy rozsądek i ostrożność podczas obsługi Produktu, zwłaszcza w kwestiach nieujętych powyżej.

ZAPISZ TE INSTRUKCJE

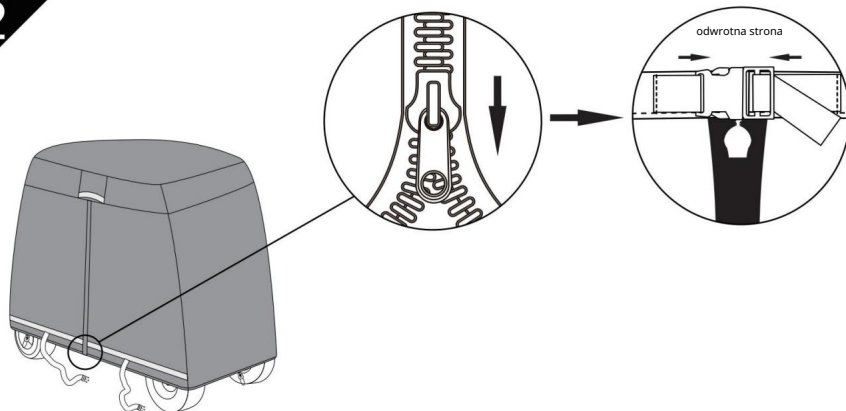
Metoda instalacji

01



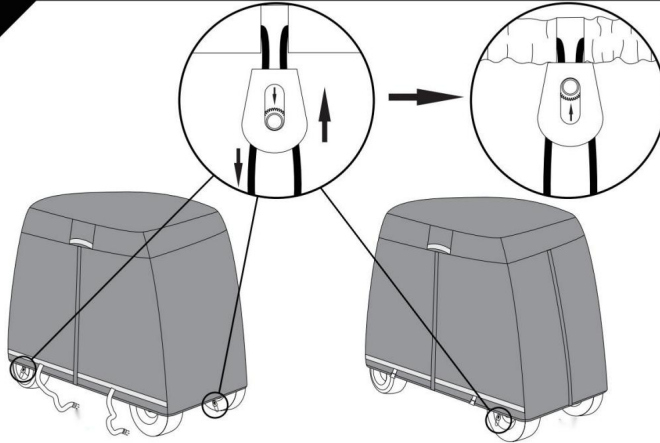
Remove the cover from the bag, undo the buckle under the door cover (on the reverse side) on 3 sides of the cover, Pull the zipper open and put the hood over the car.
(Note: The side without zipper faces the front of the car)

02



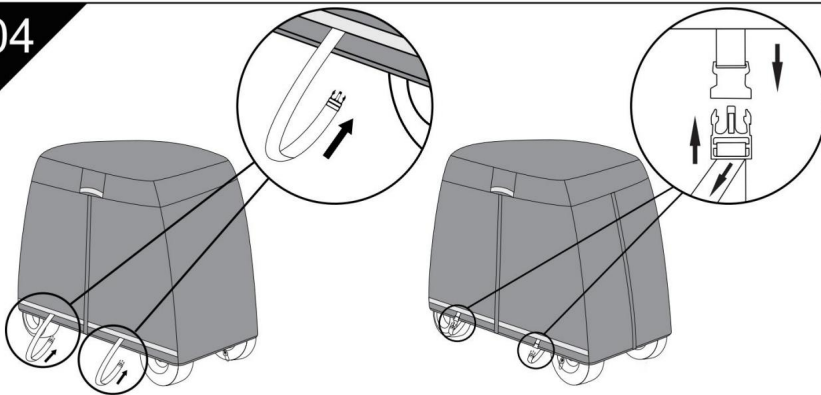
Adjust the cover ,
so that the four sides are exactly the same as the four sides of the car,
pull the three-door zipper and insert the buckle.

03



As shown in the figure, find the three elastic devices located at the bottom of the cover to adjust the tightness of the bottom of the cover according to the marked orientation, Tighten by pulling the rope at the end of the device with one hand and pushing the device up with the other. (To release, slide the slider in the middle of the unit down while pulling the unit down.)

04



As shown in the picture, find the two webbing on the left side of the cover (with a buckle on the head) and send it in from the bottom of the car, Pass to the right to connect with the corresponding female buckle, adjust the webbing length on the male buckle to tie the cover and the car firmly.

Czyszczenie

- Prać ręcznie w płynie do prania i pozostawić do wyschnięcia.

Nie prać w pralce.

Sanven Technology Ltd.

Adres: Suite 250, 9166 Anaheim Place, Rancho Cucamonga, CA 91730

Wyprodukowano w Chinach

VEVOR[®]

TOUGH TOOLS, HALF PRICE

Wsparcie i certyfikat gwarancji

elektronicznej www.vevor.com/support

VEVOR[®]

TOUGH TOOLS, HALF PRICE

Technische ondersteuning en e-garantiecertificaat www.vevor.com/support

Golfkar-afdekking

GEBRUIKERSHANDLEIDING

Wij streven er voortdurend naar om u gereedschappen tegen concurrerende prijzen te leveren.

"Save Half", "Half Price" of andere soortgelijke uitdrukkingen die wij gebruiken, geven alleen een schatting van de besparingen die u kunt behalen door bepaalde gereedschappen bij ons te kopen in vergelijking met de grote topmerken en betekent niet noodzakelijkerwijs dat alle categorieën gereedschappen die wij aanbieden, worden gedekt. Wij herinneren u eraan om zorgvuldig te controleren of u daadwerkelijk de helft bespaart in vergelijking met de grote topmerken wanneer u een bestelling bij ons plaatst.

VEVOR[®]
TOUGH TOOLS, HALF PRICE

Golfkar-afdekking

MODEL: COV-20; COV-21



Hartelijk dank voor uw aankoop van een van onze producten. Lees de montage-instructies zorgvuldig door voordat u met de installatie begint.

HULP NODIG? NEEM CONTACT MET ONS OP!

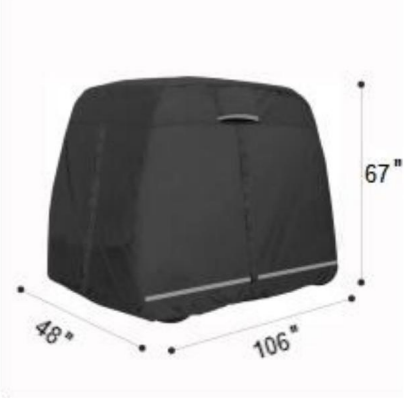
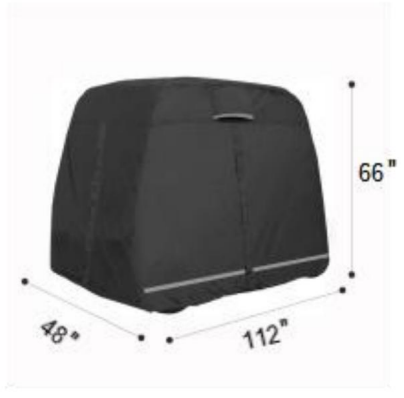
Heeft u vragen over het product? Heeft u technische ondersteuning nodig? Neem dan gerust contact met ons op:

Technische ondersteuning en e-garantiecertificaat
www.vevor.com/support

Dit is de originele instructie, lees alle handleidingen zorgvuldig door voordat u het product gebruikt. VEVOR behoudt zich een duidelijke interpretatie van onze gebruikershandleiding voor. Het uiterlijk van het product is afhankelijk van het product dat u hebt ontvangen. Vergeef ons dat we u niet opnieuw zullen informeren als er technologie- of software-updates voor ons product zijn.

PRODUCTPARAMETERS

| | | |
|---|-------------------------------|---------------|
| Productnaam: | Golfkar-afdekking | |
| Productmateriaal: | Hoge dichtheid polyester 600D | |
| Productkleur: | Zwart | |
| Model: | COV-20 | COV-21 |
| Geschikt voor De stoelmaat : (L*B*H) | 106"x48"x67" | 112"x48"x66" |
| Modellen: | 2 stoelen | 4 zitplaatsen |

| | |
|---|--|
|  |  |
| COV-20 | COV-21 |

Algemene veiligheidsregels

WAARSCHUWING:

Lees de volgende instructies zorgvuldig door om het risico op: verwondingen, ongevallen of schade aan het product zelf.

MONTAGEVOORZORGSMAATREGELN

Kom niet in actie als u moe bent of onder invloed van alcohol, drugs of medicijnen.

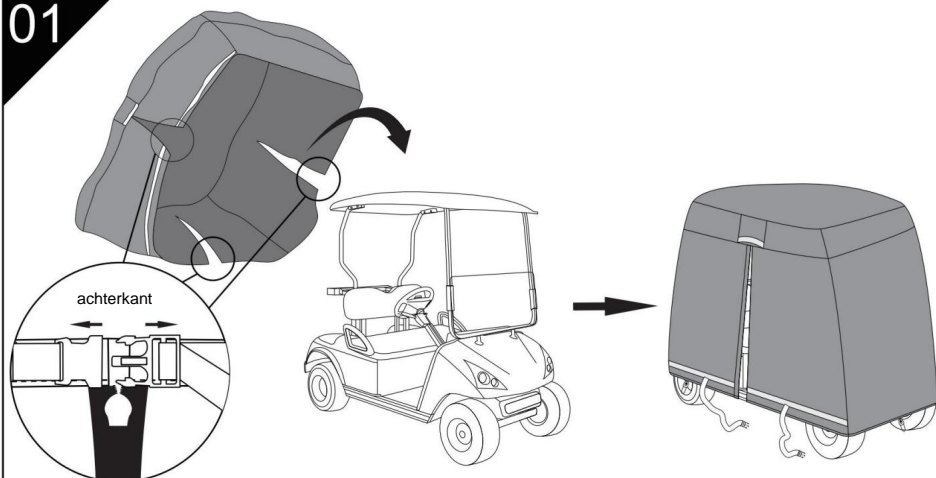
GEBRUIK VOORZORGSMAATREGELN

1. Gebruik het product alleen zoals bedoeld.
2. Meet voor gebruik of de afmetingen van de golfkar binnen het bereik van de productbeschrijving.
3. Plaats het product niet naast een verwarmingsinstallatie of open vuur en giet er geen heet water overheen. in geval van brand-, brand- en vervormingsgevaar.
4. Laat baby's en kinderen geen fragmenten van dit product in hun mond stoppen. mond.
5. Er kan een lichte geur vrijkomen bij het uitpakken. Doe de golfkarhoes in een geventileerde plaats waar de geur kan ontsnappen.
6. Doe het product niet in de wasmachine, het wordt aanbevolen om met de hand wassen.
7. Breng dit product niet in aanraking met bijtende chemicaliën en scherpe messen.
8. Dit product is geen speelgoed. Kinderen en minderjarigen mogen dit product niet gebruiken. om persoonlijk letsel te voorkomen
9. De veiligheidsmaatregelen en instructies in deze handleiding kunnen niet worden gebruikt voor: gedetailleerd alle omstandigheden en situaties die zich kunnen voordoen.
10. De bediener en/of gebruiker moet bij het bedienen van de machine gezond verstand en voorzichtigheid betrachten. het product, met name voor zaken die hierboven niet genoemd zijn.

BEWAAR DEZE INSTRUCTIES

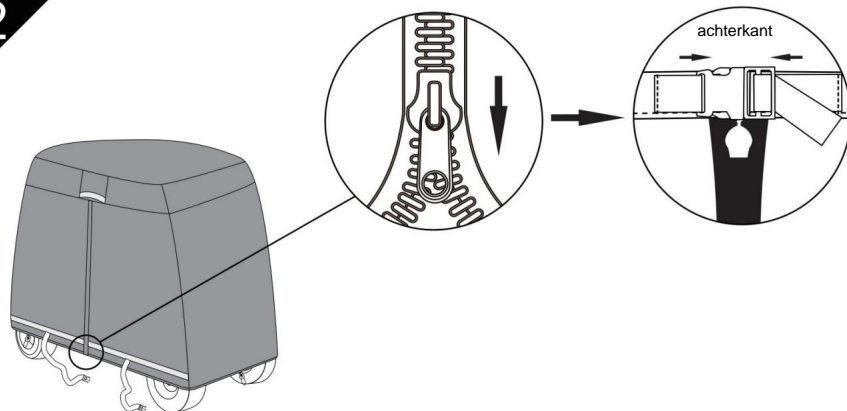
Installatiemethode

01



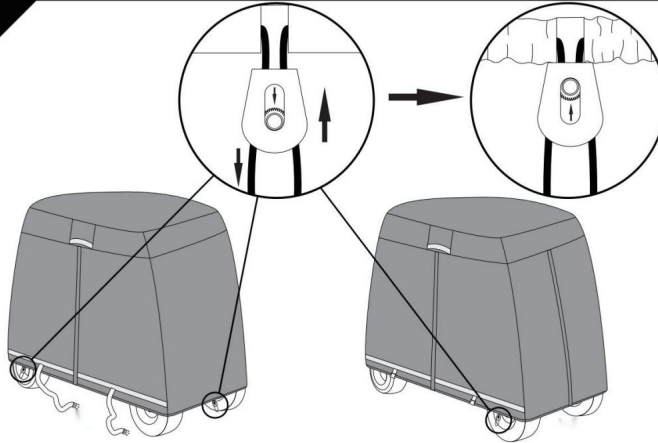
Remove the cover from the bag, undo the buckle under the door cover (on the reverse side) on 3 sides of the cover, Pull the zipper open and put the hood over the car.
(Note: The side without zipper faces the front of the car)

02



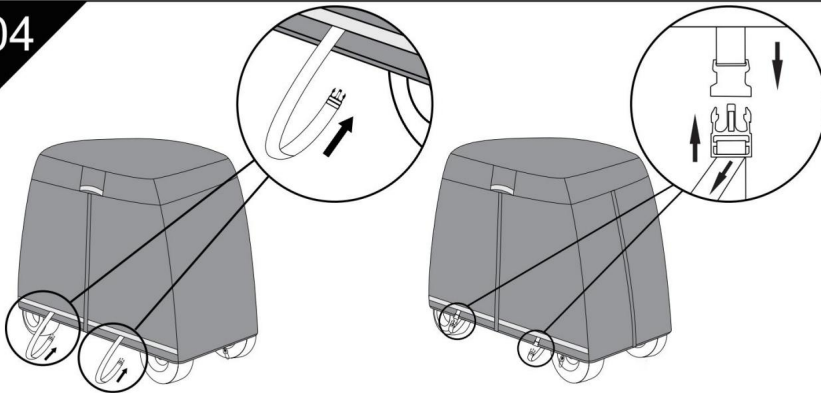
Adjust the cover ,
so that the four sides are exactly the same as the four sides of the car,
pull the three-door zipper and insert the buckle.

03



As shown in the figure, find the three elastic devices located at the bottom of the cover to adjust the tightness of the bottom of the cover according to the marked orientation, Tighten by pulling the rope at the end of the device with one hand and pushing the device up with the other. (To release, slide the slider in the middle of the unit down while pulling the unit down.)

04



As shown in the picture, find the two webbing on the left side of the cover (with a buckle on the head) and send it in from the bottom of the car, Pass to the right to connect with the corresponding female buckle, adjust the webbing length on the male buckle to tie the cover and the car firmly.

Schoonmaak

-Was met de hand met een wasmiddel en laat het op natuurlijke wijze drogen.

Niet in de wasmachine wassen.

Sanven Technologie Ltd.

Adres: Suite 250, 9166 Anaheim Place, Rancho Cucamonga, CA 91730

Gemaakt in China

VEVOR®

TOUGH TOOLS, HALF PRICE

Ondersteuning en E-garantiecertificaat

www.vevor.com/support

VEVOR[®]

TOUGH TOOLS, HALF PRICE

Teknisk support och e-garanticertifikat www.vevor.com/support

Golfvagnsskydd

ANVÄNDARMANUAL

Vi fortsätter att vara engagerade i att ge dig verktyg till konkurrenskraftiga priser.

"Spara hälften", "halva priset" eller andra liknande uttryck som används av oss representerar bara en uppskattning av besparingar du kan dra nytta av att köpa vissa verktyg hos oss jämfört med de stora toppmärkena och betyder inte nödvändigtvis att täcka alla kategorier av verktyg som erbjuds av oss. Du påminns vänligen om att noggrant kontrollera när du gör en beställning hos oss om du faktiskt sparar hälften i jämförelse med de främsta stora varumärkena.

VEVOR[®]
TOUGH TOOLS, HALF PRICE

Golfvagnsskydd

MODELL: COV-20yCOV-21



Tack för att du köpte en av våra produkter, läs noggrant igenom monteringsanvisningen innan installationen.

BEHÖVER HJÄLP? KONTAKTA OSS!

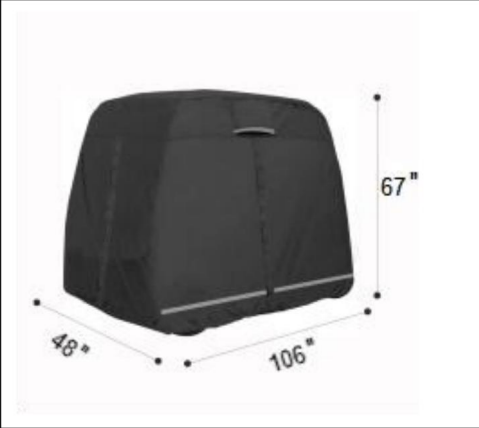
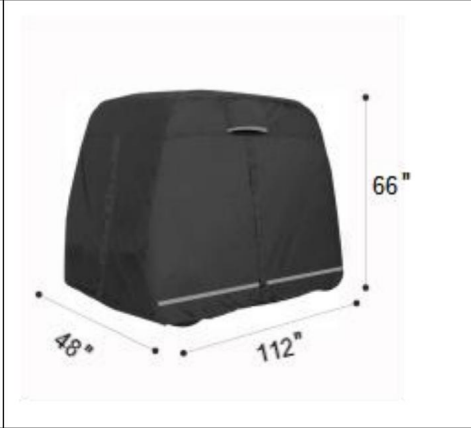
Har du produktfrågor? Behöver du teknisk support? Kontakta oss gärna:

Teknisk support och e-garanticertifikat www.vevor.com/support

Detta är den ursprungliga instruktionen, läs alla instruktioner noggrant innan du använder den. VEVOR reserverar sig för en tydlig tolkning av vår användarmanual. Utseendet på produkten är beroende av den produkt du fått. Ursäkta oss att vi inte kommer att informera dig igen om det finns någon teknik eller mjukvaruuppdateringar på vår produkt.

PRODUKTPARAMETRAR

| | | |
|--|----------------------------|--------------|
| Produktnamn: | Golfvagnsskydd | |
| Produktmaterial: | Högdensitetspolyester 600D | |
| Produktfärg: | Svart | |
| Modell: | COV-20 | COV-21 |
| Passar till stolens storlek:(L*B*H) | 106"x48"x67" | 112"x48"x66" |
| Modeller: | 2 platser | 4 platser |

| | |
|---|---|
|  |  |
| COV-20 | COV-21 |

Allmänna säkerhetsregler

VARNING:

Läs noga igenom följande instruktioner för att minska risken för skador, olyckor eller skador på produkten i sig.

FÖRSIKTIGHETSÅTGÄRDER FÖR MONTERING

Sätt dig inte ihop när du är trött eller påverkad av alkohol, droger eller mediciner.

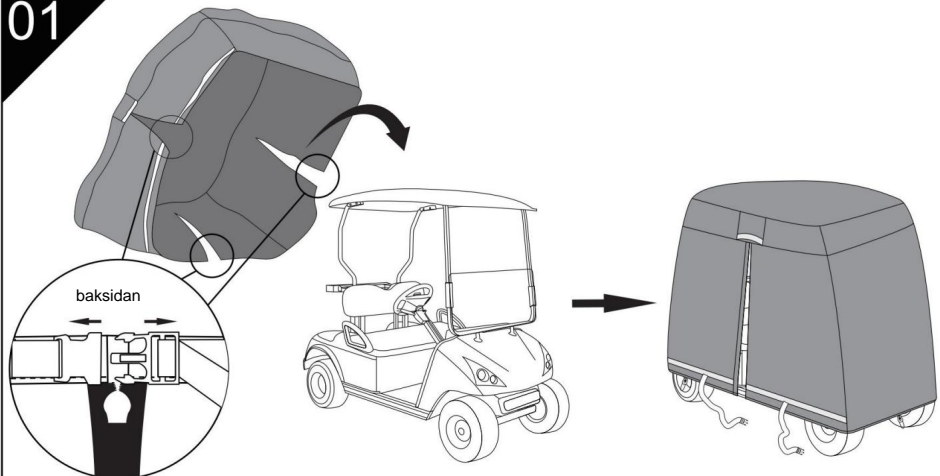
ANVÄND FÖRSIKTIGHETSÅTGÄRDER

1. Använd endast på avsett sätt.
2. Före användning, mät om storleken på golfvagnen är inom ramen för produktbeskrivning.
3. Placera inte produkten bredvid en värmeanläggning eller eld, och håll inte varmt vatten på det i händelse av bränder, brännskador och deformationsrisker.
4. Vänligen tillåt inte spädbarn och barn att lägga fragment av denna produkt i sina mun.
5. Det kan finnas lätt lukt vid uppackning. Vänligen sätt golfbilsskyddet i en ventilerad plats för att avge lukten.
6. Placera inte produkten i tvättmaskinen, det rekommenderas att tvätta för hand.
7. Vänligen kontakta inte denna produkt med frätande kemikalier och vassa knivar.
8. Denna produkt är inte en leksak. Barn och minderåriga får inte använda denna produkt för att undvika att orsaka personskada
9. Säkerhetsföreskrifterna och instruktionerna i denna handbok kan inte täcka i detalj alla förhållanden och situationer som kan uppstå.
10. Operatören och/eller användaren måste använda sunt förnuft och försiktighet vid användning produkten speciellt för alla frågor som inte nämns i ovanstående.

SPARA DESSA INSTRUKTIONER

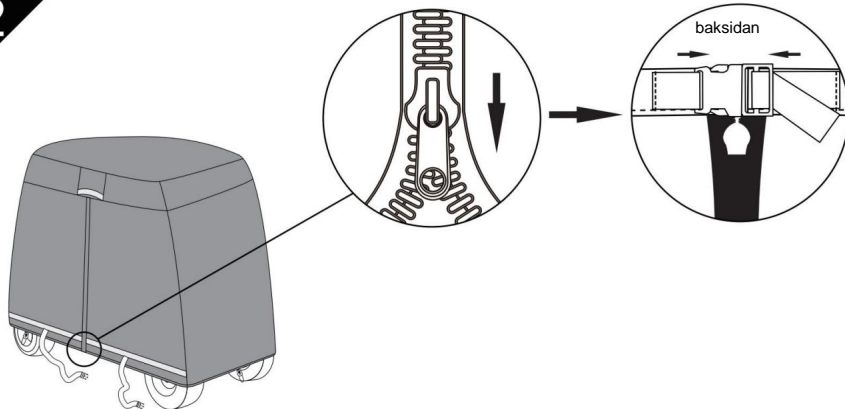
Installationsmetod

01



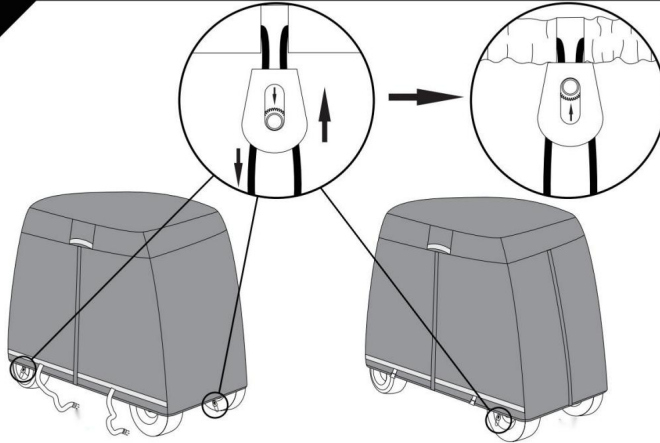
Remove the cover from the bag, undo the buckle under the door cover (on the reverse side) on 3 sides of the cover, Pull the zipper open and put the hood over the car.
(Note: The side without zipper faces the front of the car)

02



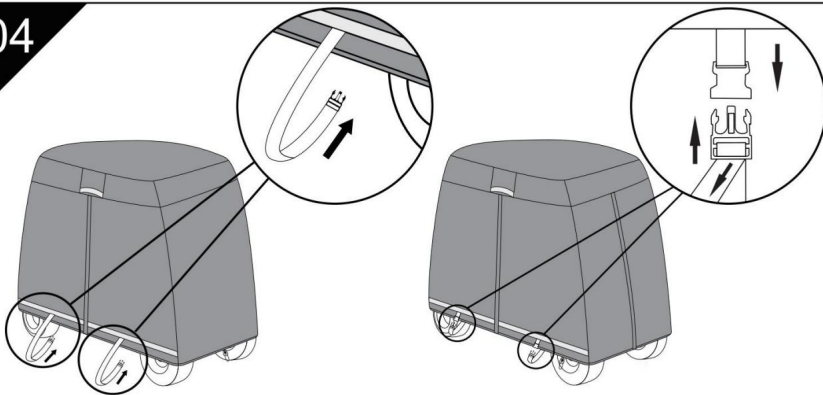
Adjust the cover ,
so that the four sides are exactly the same as the four sides of the car,
pull the three-door zipper and insert the buckle.

03



As shown in the figure, find the three elastic devices located at the bottom of the cover to adjust the tightness of the bottom of the cover according to the marked orientation, Tighten by pulling the rope at the end of the device with one hand and pushing the device up with the other. (To release, slide the slider in the middle of the unit down while pulling the unit down.)

04



As shown in the picture, find the two webbing on the left side of the cover (with a buckle on the head) and send it in from the bottom of the car, Pass to the right to connect with the corresponding female buckle, adjust the webbing length on the male buckle to tie the cover and the car firmly.

Rengöring

-Handtvätt med tvättlösning och låt torka naturligt.
Maskintvätt inte.

Sanven Technology Ltd.

Adress: Suite 250, 9166 Anaheim Place, Rancho Cucamonga, CA 91730

Tillverkad i Kina

VEVOR®

TOUGH TOOLS, HALF PRICE

Support och e-garanticertifikat

www.vevor.com/support