

# **VEVOR<sup>®</sup>**

**TOUGH TOOLS, HALF PRICE**

Technical Support and E-Warranty Certificate [www.vevor.com/support](http://www.vevor.com/support)

## **High Pressure Airless Paint Sprayer**

We continue to be committed to provide you tools with competitive price.

"Save Half", "Half Price" or any other similar expressions used by us only represents an estimate of savings you might benefit from buying certain tools with us compared to the major top brands and does not necessarily mean to cover all categories of tools offered by us. You are kindly reminded to verify carefully when you are placing an order with us if you are actually saving half in comparison with the top major brands.

# VEVOR<sup>®</sup>

TOUGH TOOLS, HALF PRICE

## HIGH PRESSURE AIRLESS PAINT SPRAYER



RP8626



RP8626 PLUS



### NEED HELP? CONTACT US!

Have product questions? Need technical support? Please feel free to contact us:

**Technical Support and E-Warranty Certificate**  
[www.vevor.com/support](http://www.vevor.com/support)

This is the original instruction, please read all manual instructions carefully before operating. VEVOR reserves a clear interpretation of our user manual. The appearance of the product shall be subject to the product you received. Please forgive us that we won't inform you again if there are any technology or software updates on our product.




# 1. Important safety instructions

















This instruction manual is intended for your benefit. Please read and follow the safety, installation, maintenance and troubleshooting steps described within to ensure your safety and satisfaction. The contents of this instruction manual are based on the latest product information available at the time of publication. The manufacturer reserves the right to make product changes at any time without notice.

The safety instructions provided in this manual are not intended to cover possible conditions and practices that may occur when operating, maintaining and cleaning power equipment.

Always use common sense and pay particular attention to all the DANGER, WARNING, CAUTION and NOTICE statements in this manual.

Maintain labels. These carry important information. The label on your tool may include the following symbols. The symbols and their definitions are as follows:

<b>Symbol</b>	<b>Property or Statement</b>
	Warning - To reduce the risk of injury, the user must read the instructions manual carefully. Read and understand this instruction manual prior to using this product. failure to do so may result in serious injury or death.
	<b>Safety Alert Symbol</b> This symbol, placed before a safety comment, indicates a kind of precaution, warning, or danger. Ignoring this warning may lead to an accident. To reduce the risk of injury, fire, or electrocution, please always follow the recommendation shown below.
	<b>Danger!</b> Risk of personal injury or environmental damage! Risk of electric shock! Risk of personal injury by electric shock!

	Warning- Be sure to wear ear protectors when using this product.
	Warning- Be sure to wear eye protectors when using this product.
	Warning- Be sure to wear dust masks when using this product.
	Warning- Be sure to wear gloves when using this product.
	Risk of Fire
	 Risk of Explosion.
	  Risk of Skin Injection.
	 Risk of Toxic Fumes. Use only in well ventilated areas.
	Pressurized Aluminum Parts Hazard.
	Avoid ignition sources such as pilot lightscigarettes, portable lamps, etc.
	Relieve System Pressure.
	Hot Surfaces/Burn Hazard.

**Disposal information:**

This product is subject to the provision of European Directive 2012/19/EC. The symbol showing a wheeled bin crossed through indicates that the product requires separate refuse collection in the European Union. This applies to the product and all accessories marked with this symbol. Products marked as such may not be discarded with normal domestic waste, but must be taken to a collection point for recycling electrical and electronic devices.

V	Volts
A	Amperes
Hz	Hertz
W	Watts
~	Alternating Current (AC)
≡	Direct Current (DC)
⌚	Alternating or Direct Current (AC/DC)
⊕	Eathing Terminal
⊕	Class I construction (grounded)
⊞	Class II construction (double insulated)
PSI	Pounds Per Square Inch
MPa	Megapascals
RPM	Revolutions Per Minute
min	Minutes
s	Seconds

# GENERAL POWER TOOL SAFETY RULES

## AWARNING

**READ ALL SAFETY WARNINGS AND ALL INSTRUCTIONS.** Failure to follow the **warnings and instructions** may result in electric shock, fire, explosion, and/or serious injury.

**SAVE ALL WARNINGS AND INSTRUCTIONS FOR FUTURE REFERENCE.**

The term "power tool" in the warnings refers to your mains-operated (corded) power tool.

## WORK AREA SAFETY

- Keep work area clean and well lit. Cluttered or dark areas invite accidents
- Do not operate power tools in explosive atmospheres, such as in the presence of flammable liquids, gases or dust. Power tools create sparks which may ignite the dust or fumes.
- Keep children and bystanders away while operating a power tool. Distractions can cause you to lose control.

## PERSONAL SAFETY

- **Stay alert, watch what you are doing and use common sense when operating a power tool. Do not use a power tool while you are tired or under the influence of drugs, alcohol or medication. A moment of inattention while operating power tools may result in serious personal injury.**
- **Use personal protective equipment. Always wear eye protection with side shields. Protective equipment such as respirators, dust masks, nonskid safety shoes, hard hat, and hearing protection will reduce personal injuries.**
- **Prevent unintentional starting. Ensure the switch is in the off-position before connecting to power source, picking up or carrying the tool. Carrying power tools with your finger on**
  - the switch or energizing power tools that have the switch on invites accidents.
- **Do not overreach.** Always keep proper footing and balance to enable better control of the power tool in unexpected situations.
- **Dress properly.** Do not wear loose clothing or jewelry. Keep your hair, clothing and gloves away from moving parts. Loose clothes, jewelry or long hair can be caught in moving parts.

- **Keep handles and grasping surfaces dry, clean and free from oil and grease.** Slippery handles and grasping surfaces do not allow for safe handling and control of the tool in unexpected situations.
- **Do not let familiarity gained from frequent use of tools allow you to become complacent and ignore safety principles.** A careless action can cause severe injury within a fraction of a second.
- **This product is not intended for use by persons (including children) whose physical, sensory, or mental capabilities are different or reduced, or lack experience or knowledge unless such persons receive supervision or training in the operation of the appliance by a person responsible for their safety.** Children should be **supervised** to ensure that they do not use the device as toys.

#### **POWER TOOL USE AND CARE**

- **CLEAN THE SPRAYER AFTER EACH USE.**
- **Do not force the power tool. Use the correct power tool for your application.** The correct power tool will do the job better and safer at the rate for which it was designed.
- **Do not use the power tool if the switch does not turn it on and off. Any power tool that cannot be controlled with the switch is dangerous and must be repaired.**
- **Disconnect the plug from the power source before making any adjustments, changing accessories, or storing power tools. Such preventive safety measures reduce the risk of starting the power tool accidentally.**
- **Store idle power tools out of the reach of children and do not allow persons unfamiliar with the power tool or these instructions to operate the power tool. Power tools are dangerous in the hands of untrained users.**
- **Maintain power tools. Check for misalignment or binding of moving parts, breakage of parts and any other condition that may affect the power tool's operation. If damaged, have the power tool repaired before use. Many accidents are caused by poorly maintained power tools.**

#### **SERVICE**

- **Use the power tool, accessories and tool bits etc. in accordance with these instructions, taking into account the working conditions and the work to be performed.** Use of the power tool for operations different from those intended could result in a hazardous situation.

- **Check for damaged parts before each use.** Check to determine that guards operate properly and perform their intended function. Check for alignment of moving parts, binding of moving parts, breakage of parts, mounting, and any other conditions that may affect its operation. A guard or other part that is damaged should be properly repaired or replaced by an authorized service center. Following this rule will reduce the risk of shock, fire, or serious injury.
- **Inspect power tool cord periodically and, if damaged,** it must be replaced only by the manufacturer or by an authorized service center to avoid risk. Following this rule will reduce the risk of electric shock or fire.
- **Have your power tool serviced by a qualified repair person using only identical replacement parts.** This will ensure that the safety of the power tool is maintained.

## SPECIFIC SAFETY WARNINGS

### AWARNING

This sprayer is not intended for use with flammable or combustible materials used in industrial or fixed location applications such as factories or paint shops. Follow all applicable federal, state, or provincial regulations and comply to NFPA 33 and OSHA requirements if used in these applications. Follow all applicable federal, state, or provincial regulations and comply to NFPA 33 and OSHA requirements if used in these applications.

### FIRE SAFETY

### ! DANGER



**To reduce the risk of fire or explosion:**

- **Fumes from solvent and paint are flammable and may ignite or explode.** Use only in a well-ventilated area and allow fresh air to move through the work area. Keep the pump well-ventilated and do not spray the pump assembly.



- **Sprayer generates sparks.** When flammable liquid is used in or near the sprayer or for flushing or cleaning, keep sprayer at least 20 feet (6 m) away from explosive vapors.
- **Do not spray flammable or combustible materials near an open flame or sources of ignition such as water heaters, cigarettes, motors, and electrical equipment with pilot lights.** Use only water-based or mineral spirit-type materials with a flash point greater than 70°F (21°C).
- **Paint or solvent flowing through the equipment can result in static electricity.** Static electricity creates a risk of fire or explosion in the presence of paint or solvent fumes. All parts of the spray system, including the pump, hose assembly, spray gun, and objects in and around the spray area shall be properly grounded to protect against static discharge and sparks. Use only conductive or grounded high pressure airless paint sprayer hoses specified by the manufacturer.
- **Prevent static discharge by ensuring that all containers and collection systems are properly grounded.**
- **Always use a grounded outlet and grounded extension cords.** Do not use a 3-to-2 plug adapter.
- **Do not use a paint or solvent containing halogenated hydrocarbons.** Know the contents of paints and solvents being sprayed. Read all Material Safety Data Sheets (MSDS) and container labels provided with the paints and solvents. Follow the paint and solvents manufacturer's safety instructions.
- **Always keep a working fire extinguisher nearby.**
- **Do not smoke in the work area.**
- **Do not operate light switches, engines, or similar spark producing products in the spray area.**
- **Keep the work area clean and free of paint or solvent containers, rags, and other flammable materials.**

**! DANGER****To reduce the risk of electric shock:**

- **This product requires a properly grounded outlet to reduce the risk of electric shock.** Ensure the power outlet is properly grounded in accordance with all local codes and ordinances. The plug and outlet should look like those in Fig. A. Consult with a qualified electrician or service person if grounding instructions are not understood or if there is doubt as to whether the equipment is properly grounded.
- **Do not modify the power cord plug provided with the tool.** Never remove the grounding prong from the plug. If the plug will not fit the outlet, have a proper outlet installed by a qualified electrician.
- **Do not use the tool if the power cord or plug is damaged.** If damaged, have it repaired by a service facility before use.
- **Outlet must match the plug.** Do not use any kind of adapter with an earthed (grounded) plug. Unmodified plugs and matching outlets will reduce the risk of electric shock.
- **Avoid body contact with earthed or grounded surfaces such as pipes, radiators, ranges and refrigerators.** There is an increased risk of electric shock if your body is earthed or grounded.
- **Do not expose this product to rain or wet conditions.** Water entering the product will increase the risk of electric shock.
- **If an extension cord is needed, use a 12 AWG (2.5mm<sup>2</sup>) minimum to supply the correct amount of current for the tool.** An undersized cord will result in voltage drop which will cause loss of power and overheating.
- **Use only a 3-wire extension cord with a grounding plug that has a properly grounded receptacle that will accept the plug on this tool.**



- **Follow local codes when choosing a solvent pail for flushing.** Use only conductive metal pails placed on a grounded surface such as concrete. Do not place the pail on a nonconductive surface such as paper or cardboard. Connect a ground wire between the pail and a ground such as a metal pipe. When flushing or relieving pressure hold a metal portion of the spray gun against the pail to ensure continuity to ground then spray.

#### SKIN INJECTION SAFETY



***IN CASE OF ACCIDENTAL SKIN INJECTION SEEK IMMEDIATE MEDICAL TREATMENT!*** High pressure spray or leaks can penetrate skin resulting in serious injury or death.

**To reduce the risk of skin injection:**

- **Verify all connections are tightened BEFORE turning on the unit.**
- **Do not aim the gun or spray at any person or animal.**
- **Keep hands and other body parts clear of spray tip and leaks.** Do not attempt to stop leaks with any part of the body.
- **Always use a nozzle tip guard.** Never spray without a nozzle tip guard installed.
- **Engage the trigger lock when not spraying.** Equipment maintains pressure after power is shut off.
- **Inspect the hoses and parts for any damage before each use.** Replace any damaged hose or parts only with original replacements.

- Replacement components must have a pressure rating not less than the pump rating of 3000 PSI (205 bar).

**! WARNING**



- Always follow the Pressure Relief Procedure to turn off and relieve pressure. Do not leave the unit energized or under pressure while unattended or not in use.
- Use caution when cleaning and changing hoses, nozzle tips, tip guards, or when installing extensions. Follow the Pressure Relief Procedure for turning off and relieving pressure before attempting to change.

**HOT SURFACE SAFETY**

**! WARNING**



Equipment surfaces and fluid that are pressurized can become hot during operation. Avoid burns by not touching hot fluid or equipment.

**EQUIPMENT SAFETY**

**! WARNING**



MISUSE OF THIS EQUIPMENT CAN CAUSE DEATH OR SERIOUS INJURY.

- Do not operate the unit when fatigued or under the influence of drugs or alcohol.
- Toxic fluids or fumes can cause serious injury or death if splashed in the eyes or on skin, inhaled, or swallowed. Always wear personal protective equipment including eye protection, face shield, ear protection and respirator

or face mask. Always review the MSDS and know the specific hazards for the fluid you are using.

- Do not exceed the maximum working pressure or temperature rating of the lowest rated system component.
- **Use fluids and solvents that are compatible with equipment.** Always read fluid and solvent manufacturer's warnings.
- **Pressurized equipment can start without warning.** Before inspecting, moving, or servicing the equipment, follow the Pressure Relief Procedure in this manual and disconnect the power supply.

#### PRESSURIZED ALUMINUM SAFETY

#### WARNING



Using fluids that are incompatible with aluminum in pressurized equipment can cause a serious chemical reaction and equipment rupture. Failure to follow this warning could result in death, serious injury, or property damage.

Do not use 1,1, 1 - trichloroethane, methylene chloride, or other halogenated hydrocarbon solvents or fluids containing such solvents.

Many other fluids can contain chemicals that may react with aluminum. Contact your material supplier for compatibility.

#### WARNING

Prior to using this product, please read and understand all instructions and safety warnings. Improper use may result in serious injury or property damage.

1. Warnings must be followed carefully to avoid body injury. Improper use may result in electric shock, fire, personal injury and other damage:

1) Keep unplugging when moving the machine.

2) Keep unplugging when installing accessories

3) Place on a flat and stable platform and operate under ventilated conditions

4) Wear special protective equipment when operating the machine

- 5) Do not use this machine in a hazardous location.
- 6) Do not use when the machine is not working properly.
- 7) Do not disassemble and repair this machine.
- 8) Do not use an unsuitable AC Outlet.
- 9) Do not touch the heating plate when the machine is heating .
- 10) Do not use in a humid environment or contact with water. Do not infiltrate liquid in the machine to prevent fire or electric shock caused by short circuit.
- 11) Do not use the power supply that does not meet the rated voltage. The power supply that does not meet the specified voltage may cause fire or electric shock.
- 12) Ensure that the machine is grounded so as not to cause harm to the body.
- 13) Do not touch the rotating rod or bearing part with your fingers during use in case of injuries.
- 14) If the machine is not in use for a long time, please unplug the power cord from the socket.
- 15) Do not use the machine during thunderstorms or lightning to avoid damage to the machine.
- 16) Place the machine smoothly on the flame-retardant table and keep away from flammable and explosive items.
- 17) Please stop using it if the machine smokes, emits a peculiar smell, or becomes noisy and in other abnormal conditions.
- 18) This appliance can be used by children aged from 8 years and above and persons with reduced physical , sensory or mental capabilities or lack of experience and knowledge if they have been given supervision or instruction concerning use of the appliance in a safe way and understand the hazards involved. Children shall not play with the appliance. Cleaning and user maintenance shall not be made by children without supervision
- 19) Type Z attachment: If the supply cord cannot be replaced. If the cord is damaged the appliance should be scrapped.
- 20) In order to avoid a hazard due to inadvertent resetting of the thermal cutout, this appliance must not be supplied through an external switching

device, such as a timer, or connected to a circuit that is regularly switched on and off by the utility.

## FCC INFORMATION

**CAUTION:** Changes or modifications not expressly approved by the party responsible for compliance could void the user's authority to operate the equipment!

This device complies with Part 15 of the FCC Rules. Operation is subject to the following two conditions:

- 1) This product may cause harmful interference.
- 2) This product must accept any interference received, including interference that may cause undesired operation.

**WARNING:** Changes or modifications to this product not expressly approved by the party responsible for compliance could void the user's authority to operate the product.

**Note:** This product has been tested and found to comply with the limits for a Class B digital device pursuant to Part 15 of the FCC Rules, These limits are designed to provide reasonable protection against harmful interference in a residential installation.

This product generates, uses and can radiate radio frequency energy, and if not installed and used in accordance with the instructions, may cause harmful interference to radio communications. However, there is no guarantee that interference will not occur in a particular installation. If this product does cause harmful interference to radio or television reception, which can be determined by turning the product off and on, the user is encouraged to try to correct the interference by one or more of the following measures.

- Reorient or relocate the receiving antenna.
- Increase the distance between the product and receiver.
- Connect the product to an outlet on a circuit different from that to which the receiver is connected.
- Consult the dealer or an experienced radio/TV technician for assistance.

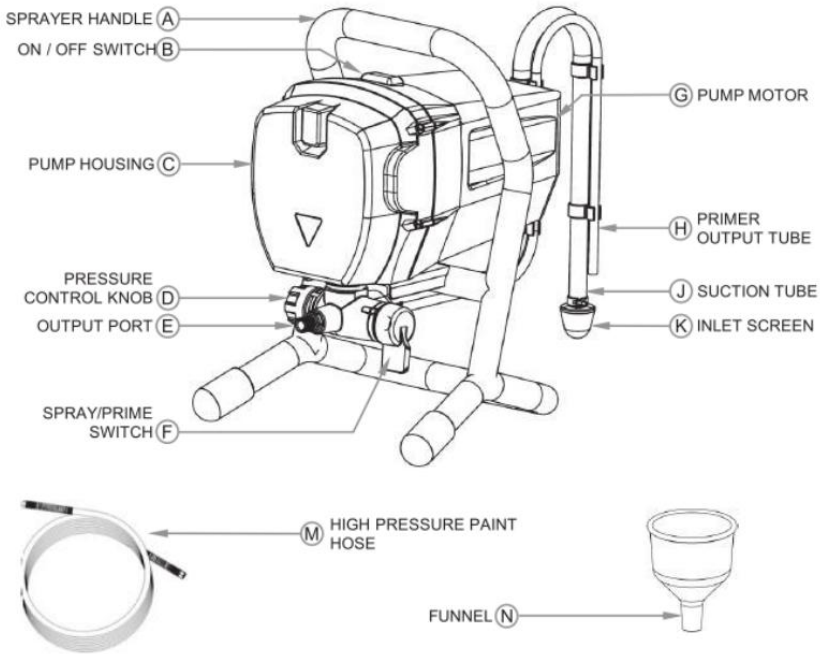
## SPECIFICATIONS

Items	Description	RP8626	RP8626 PLUS
1	Rated Voltage:	120VAC 60Hz( For US user)	120VAC 60Hz( For US user)
2	Rated Voltage:	230VAC 50Hz( For Europe user)	230VAC 50Hz( For Europe user)
3	Rated Power:	750 W	750 W
4	Maximum Working Pressure (MWP):	3000 PSI	3000 PSI
5	Maximum Delivery:	1.2 LPM	1.2 LPM
6	Work Environment Temperature:	5° C - 40° C / 40° F - 105° F	5° C - 40° C / 40° F - 105° F
7	Standard Nozzle:	517	517
8	Transportation and Storage Temperature:	-13° F-131° F (-25° C-55° C)	-13° F-131° F (-25° C-55° C)
9	Hose Length:	7.6 m / 25 ft	7.6 m / 25 ft
10	Paint Outlet Connector Size	1/4" -18 NPSM	1/4" -18 NPSM
11	G. W. :	9.8kg	12.3kg

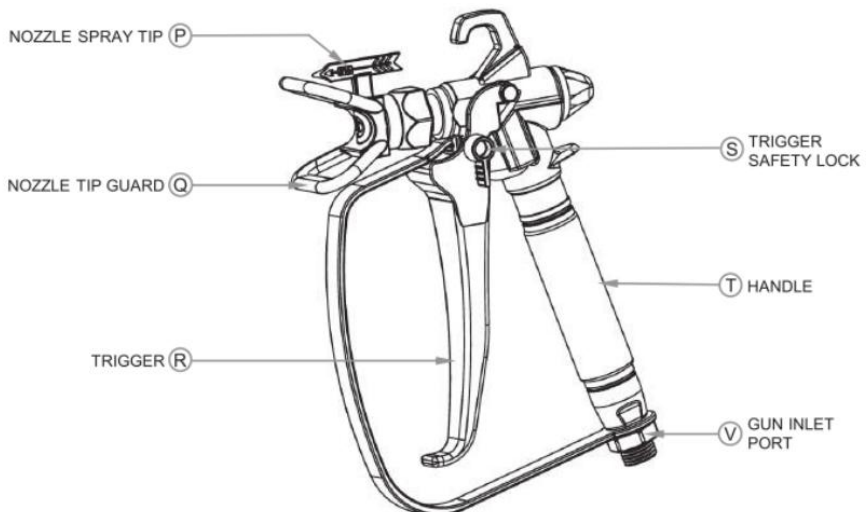


## FEATURE IDENTIFICATION

### RP8626 SPRAYER:

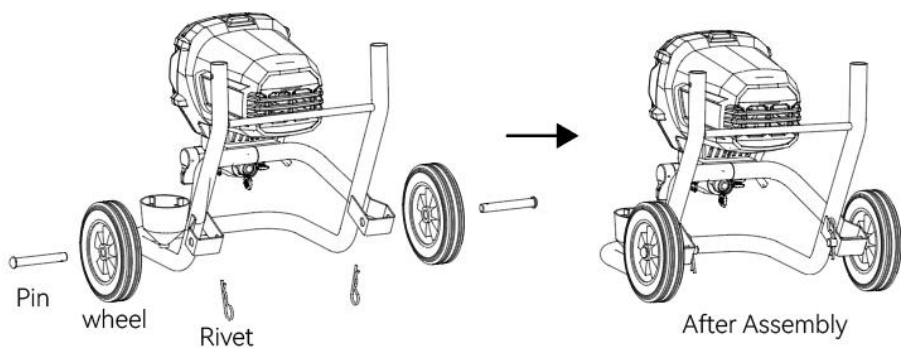


### RP8626 & RP8626 PLUS AIRLESS SPRAY GUN



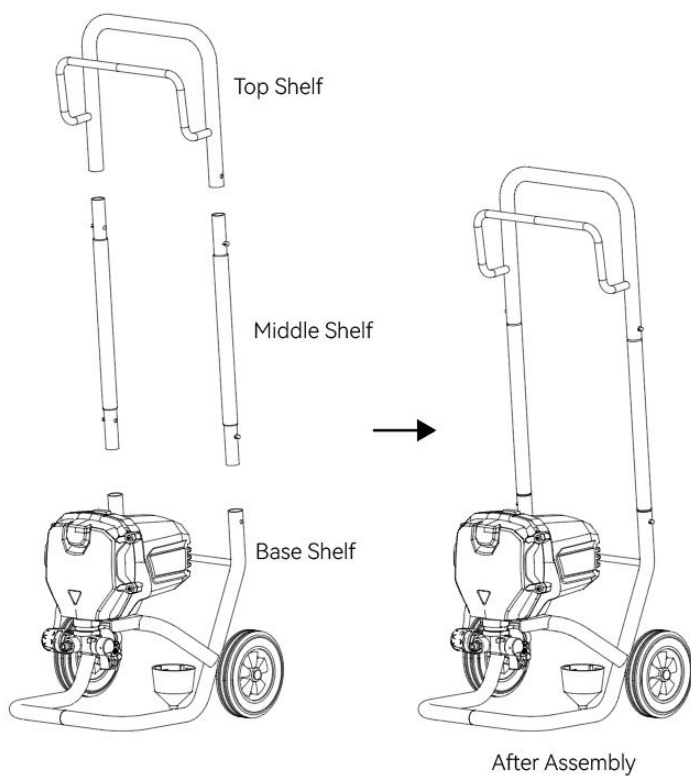
wheel installation

---



Shelf installation

---



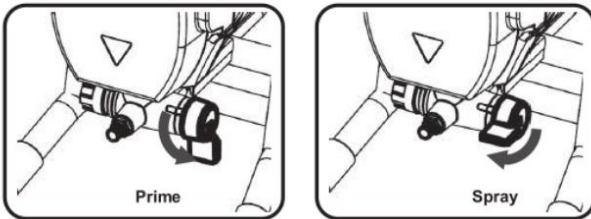
# OPERATION

## NOTICE:

CLEAN AFTER USE TO PREVENT PERMANENT DAMAGE TO THE SPRAYER. RETURNS NOT ACCEPTED & WARRANTY VOID IF SPRAYER IS NOT PROPERLY CLEANED IMMEDIATELY AFTER EVERY USE.

### Prime/Spray Switch

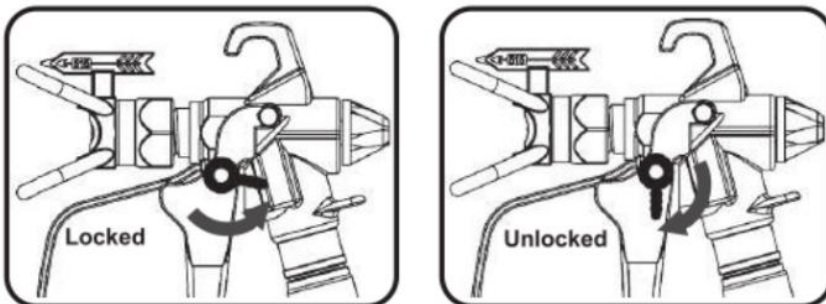
The Prime/Spray Switch (F) toggles the unit between the priming mode and the spraying mode.



### Trigger Lock

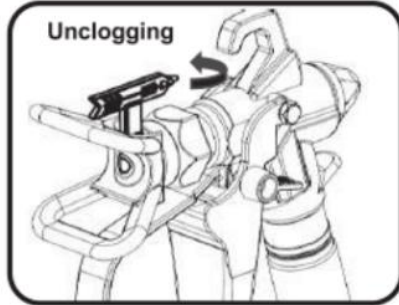
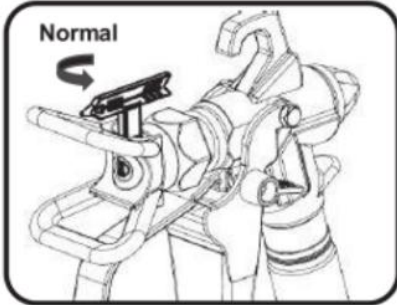
The Trigger Lock (S) prevents the trigger from being accidentally actuated such as when the gun is dropped.

**ALWAYS ENGAGE THE TRIGGER LOCK WHEN THE SPRAY GUN IS NOT IN USE.**



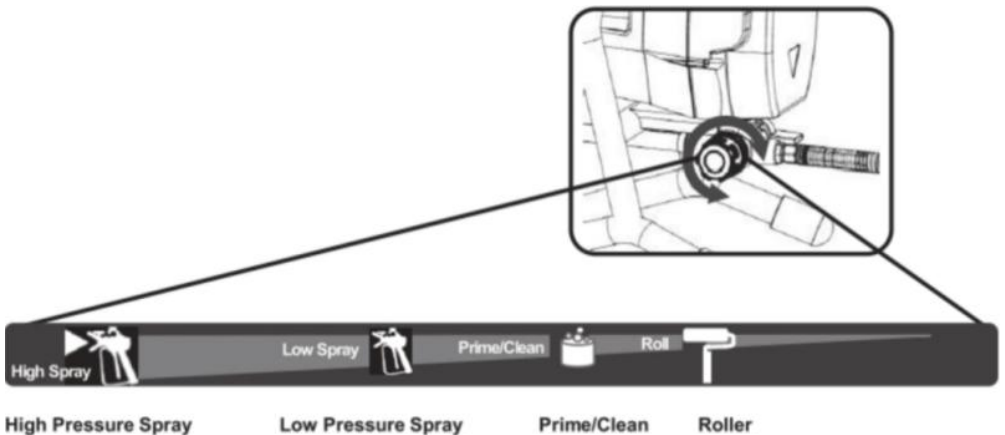
## **Nozzle Spray Tip**

The Nozzle Spray Tip (P) is removable and reversible to make cleaning and unclogging easier. Normal operation is with the arrow pointed outwards and away from the gun. Unclogging the nozzle is done by turning the Nozzle Spray Tip so the arrow is pointing inwards towards the gun.



## **Pressure Control Knob**

The Pressure Control Knob (D) adjusts the pressure of the paint output at the Output Port (E). Turning the knob fully to the right (clockwise) adjusts the paint output to the maximum pressure for high pressure spraying. Turning the knob fully to the left (counter-clockwise) will reduce the paint output to the minimum pressure. Align the Pressure Control Knob indicator to the desired function as shown on the label (shown below)



## PRESSURE RELIEF PROCEDURE

### **WARNING**

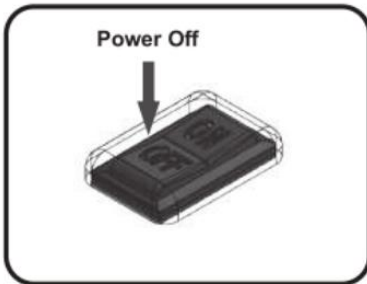


ALWAYS RELIEVE PRESSURE WHEN SPRAYING IS COMPLETED AND PRIOR TO CLEANING SERVICING OR TRANSPORTING.

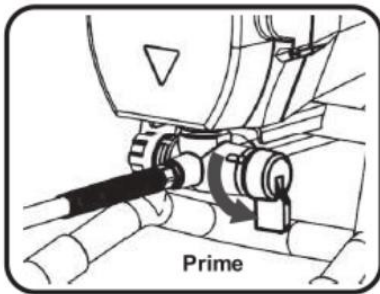


RISK OF SKIN INJECTION. DO NOT AIM THE GUN OR SPRAY AT ANY PERSON OR ANIMAL. DO NOT PLACE IT IN FRONT OF SPRAY NOZZLE.

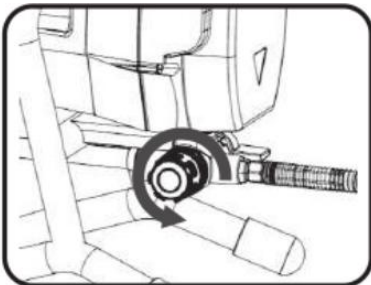
1. Place the ON/OFF Switch (B) into the OFF position and unplug the power cord.



2. Turn the Prime/Spray Switch to the PRIME position.



3. Adjust the Pressure Control Knob (D) to the lowest pressure setting (ROLL)

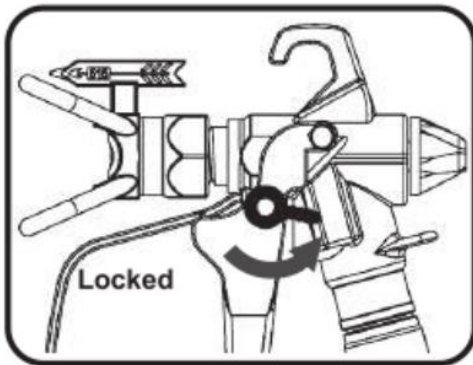


4. When using a waste or solvent pail, ensure the pail is metal and is properly grounded. Clamp one end of a ground wire to the pail the other end to a proper ground, such as a metal water pipe.

5. Point the spray gun into the grounded waste or solvent pail while holding any metal part of the spray gun firmly to the side of the pail to maintain ground continuity of the gun and pail, then operate the trigger several times until pressure within the hose has been relieved



6. Engage the trigger lock after pressure has been relieved.



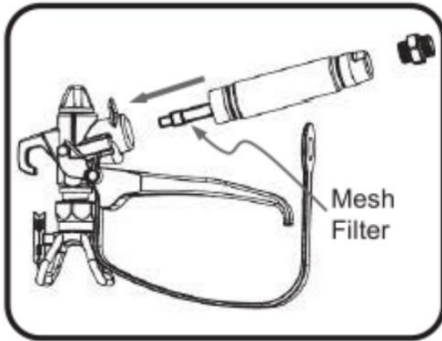
7. Leave the Prime/Spray switch in the Prime position until you are ready to spray again.

8. If you suspect the spray tip or hose is clogged or that pressure has not been fully relieved after following these steps, CAREFULLY AND SLOWLY loosen the tip guard retaining nut or hose end coupling to relieve pressure gradually, then loosen completely before attempting to clear the any obstruction.

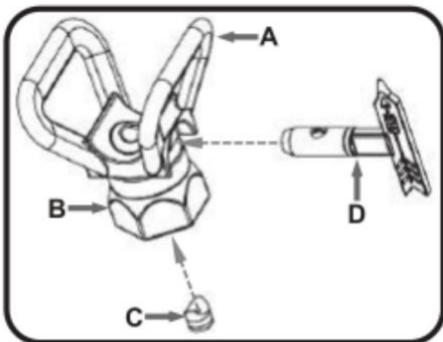
# SETUP

Items in parenthesis ( ) refer to the Feature identification drawing in the previous section.

Note: The spray gun comes assembled from the factory. If the gun has been disassembled for cleaning follow the steps below to reassemble.



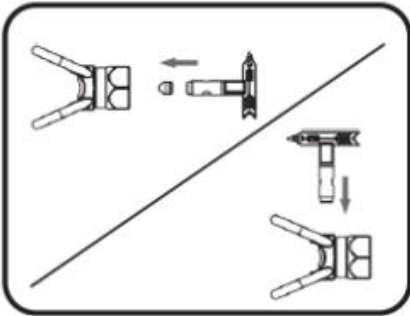
1. Insert the mesh filter into the Handle (T) and align the handle with the upper body of the spray gun.
2. While holding the upper body of the spray gun, tighten the Handle (T) using a wrench.
3. Place the handle guard over the hole on the bottom of the handle, then secure in place using the hose Inlet Port (V) adapter and two wrenches.



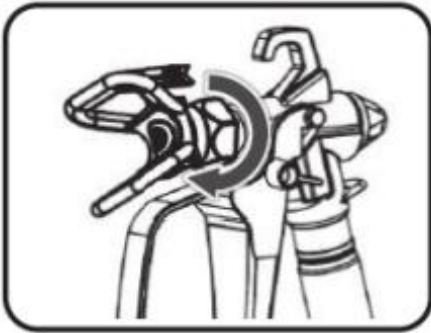
4. The Gun Tip and Guard consists of the following components:
  - A. Nozzle Tip Guard
  - B. Nozzle Tip Guard Retaining Nut
  - C. Metal Seat with Rubber Gasket

#### D. Nozzle Spray Tip

5. Use the Nozzle Spray Tip to install the Metal Seat with Rubber Gasket into the Nozzle Tip Guard.

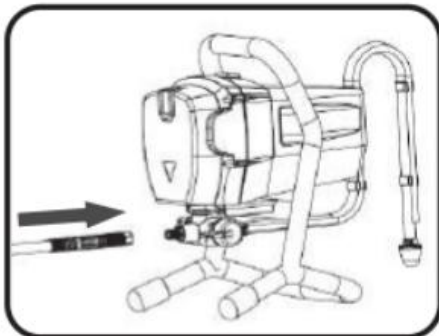


6. Install the Nozzle Spray Tip into the Nozzle Tip Guard.



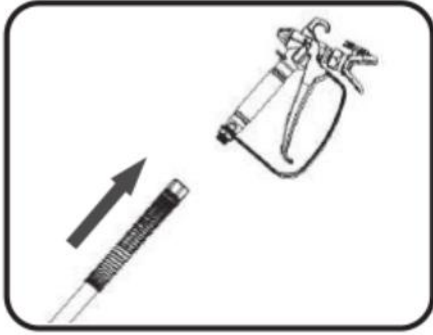
7. Thread the Nozzle Tip Guard Retaining Nut onto the front of the upper spray gun body and tighten with a wrench.

8. With the unit unplugged, uncoil and connect the High-Pressure Paint Hose (M) to the Output Port(E). Use a wrench to correctly tighten the fitting.

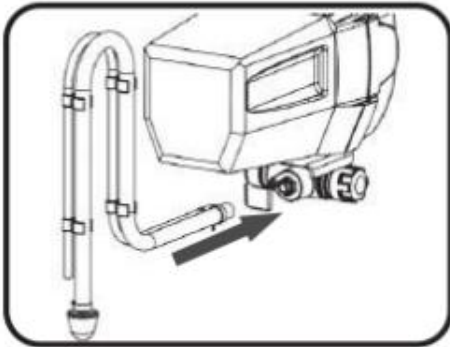




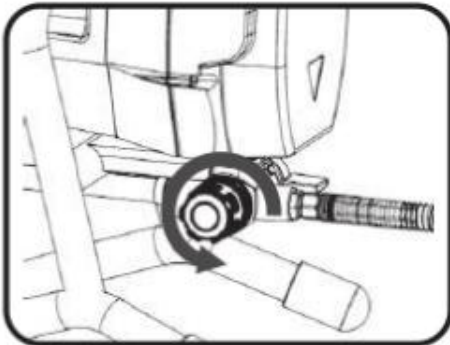
9. Connect the other end of the High-Pressure Paint Hose (M) to the Gun Inlet Port (V) on the spray gun Handle (T). Use a pair of wrenches to correctly tighten the fitting



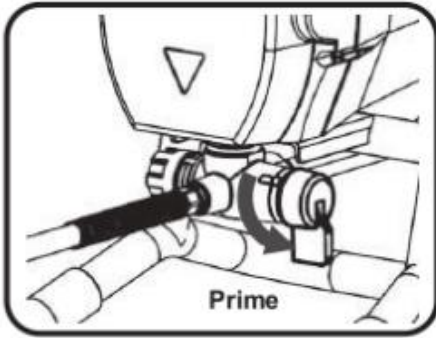
10. Connect the Suction Tube (J) and Primer Output Tube (H) to the back of the valve housing, then install the Inlet Screen (K). Secure in place using the supplied hose clamps.



11. Set the Pressure Control Knob (D) to the Prime/Clean position.



12. Place the Spray/Prime Switch (F) to the Prime Position.

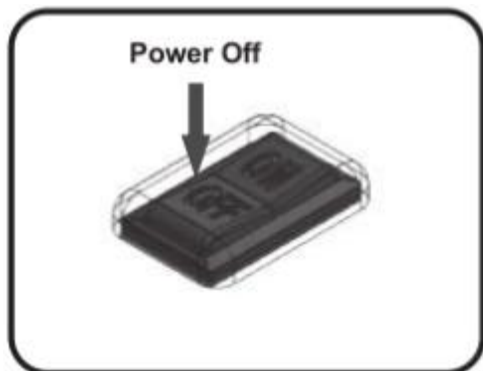


### **PRIME AND FLUSH**

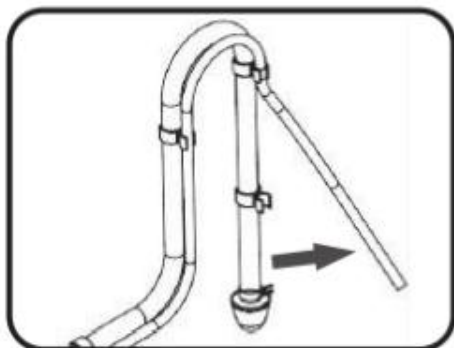
Before each use, the sprayer must be primed and flushed to remove the storage fluid out of the sprayer. Follow these guidelines when priming and flushing:

- Use water to thoroughly flush the system if you will be spraying water-based materials.
- Use a compatible oil-based flushing solvent or mineral spirits to thoroughly flush the system if you will be spraying oil-based materials.
- If changing from oil-based spraying to water-based spraying, flush the system thoroughly with water first. The water flowing out from the Primer Outlet Tube (H) should be clear and free from any solvent before you begin spraying the water-based material. If changing from water-based spraying to oil-based spraying, flush the system thoroughly with a compatible oil-based flushing solvent or mineral spirits first. The solvent flowing from the Primer Outlet Tube (H) should not contain any water.
- Always use a grounded metal waste or solvent pail.
- See the Electrical Safety section.
- Always aim the gun at the inside wall of the waste or solvent pail to avoid fluid splashing back on your skin or into your eyes.

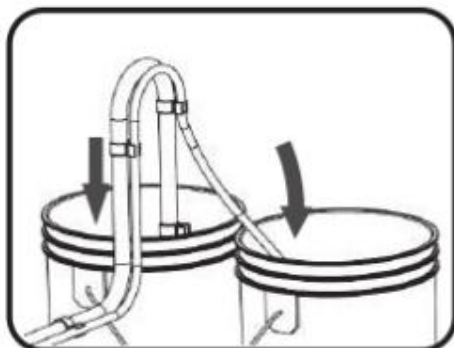
1. Turn the power ON / OFF Switch (B) to the OFF position and unplug the sprayer.



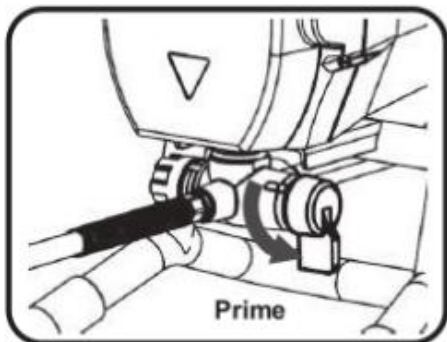
2. Separate the Primer Output Tube (H) from the Suction Tube (J).



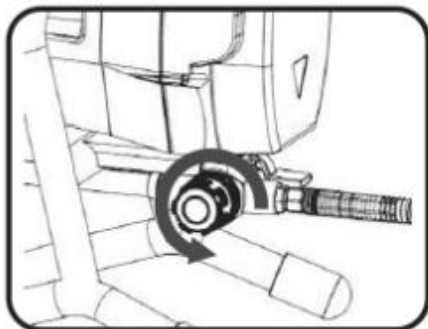
3. Place the Primer Output Tube (H) into a grounded waste / solvent pail and insert the Suction Tube (J) with Inlet Screen (K) into a pail that contains water or flushing solvent (determined by guideline discussed above).



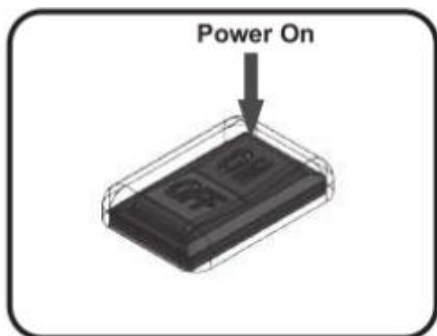
4. Check that the Spray/Prime Switch (F) is in the Prime Position.



5. Set the Pressure Control Knob (D) to the Prime/Clean position.

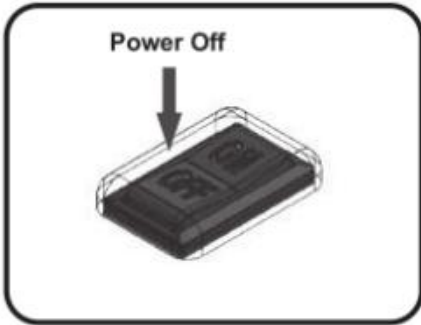


6. Plug the sprayer into a grounded outlet and turn the power ON / OFF Switch (B) to the ON position.

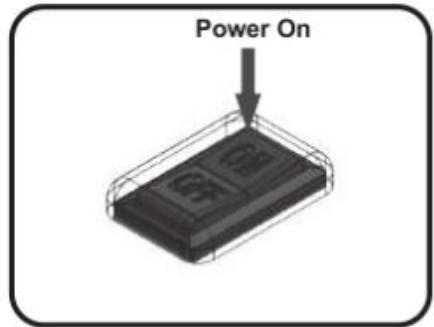
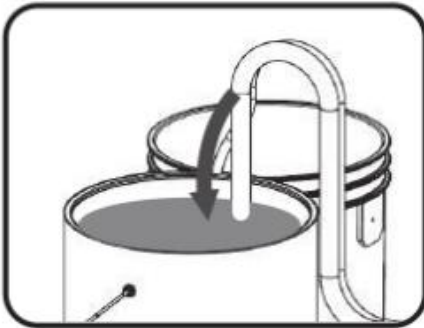


7. The sprayer will start pumping water or flushing solvent. Air and storage oil will be purged from the system. Allow the fluids to continue being discharged from the Primer Output Tube (H) for 30 to 60 seconds, then turn the power ON / OFF

Switch (B) to the OFF position.



8. Remove the Suction Tube (J) and Inlet Screen (K) from the pail that contains water or flushing solvent (step 3) and insert into the container that holds the paint you will be using.

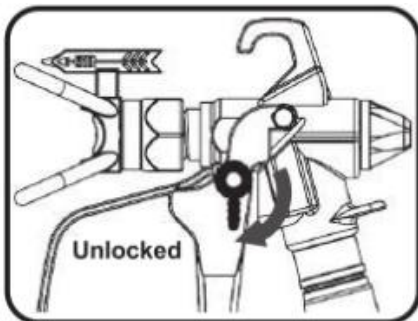


9. Turn the ON /OFF Power Switch (B) ON.

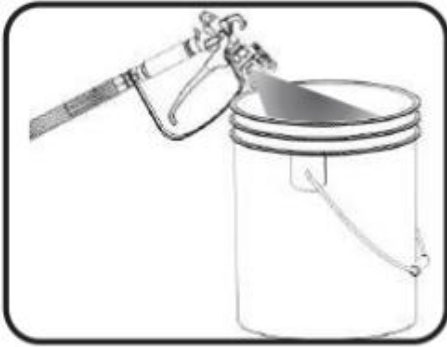
10. Paint will begin to be pumped through the Suction Tube (J) and will begin to be discharged through the Primer Output Tube (H) and into the waste /solvent pail.

11. Hold the spray gun pointing into and against the waste / solvent pail.

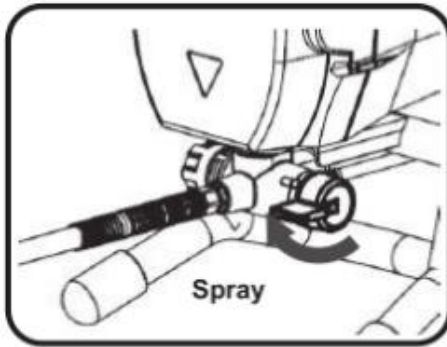
12. Unlock the trigger lock.



13. Pull and hold the trigger.

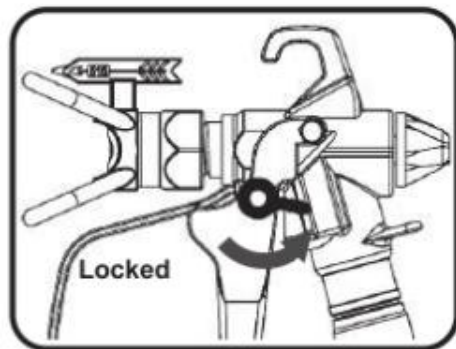


14. Turn the Spray / Prime Switch (F) to the Spray position.

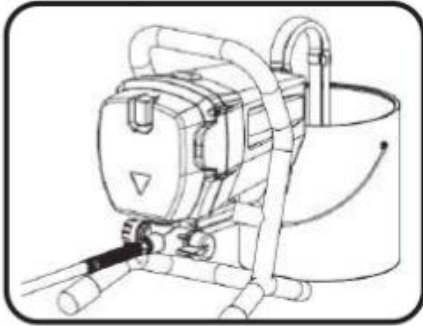


15. Continue to hold the trigger while pointing the gun into the waste / solvent pail until only paint is coming out of the gun.

16. Release the trigger and engage the trigger lock



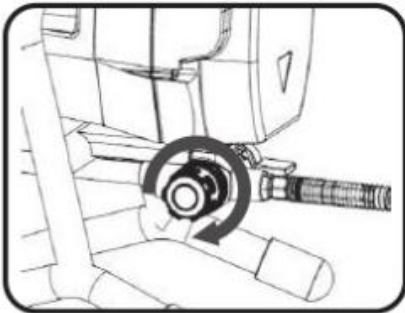
17. Move the Primer Output Tube (H) to the paint container and clip it to the Suction Tube (J).



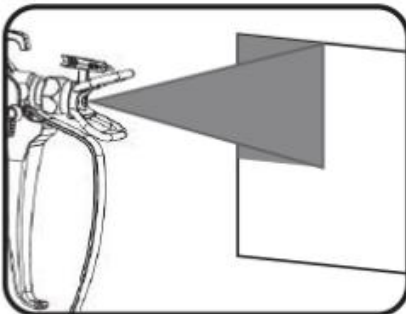
NOTICE: The motor will stop which indicates the pump and hose are primed with paint and under pressure. If the motor continues to run, the sprayer is not correctly primed. To re-prime, turn the Spray / Prime Switch (F) to the Prime position and repeat all the steps beginning at Step 9.

### **PAINTING**

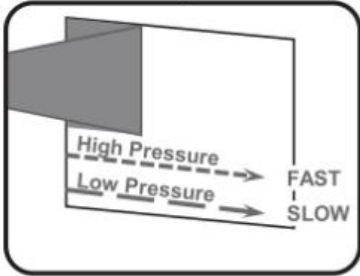
1. Set the Pressure Control Knob (D) to a medium -high pressure.



2. Test this pressure setting on a scrap piece of material.

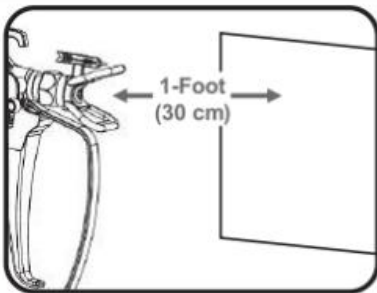


- Adjust the Pressure Control Knob (D) until a smooth and even consistency is achieved.
- On a scrap piece of scrap material, spray a test patch and assess the speed of the stroke required for the pressure setting. Lower pressure will require a slower speed, and higher pressure will require a faster stroke speed.

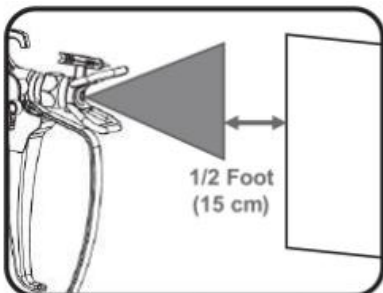


NOTE: The quality of the surface being painted will have a great effect on the spraying result. The surface being painted must be properly prepared before beginning to spray.

### **SPRAYING TECHNIQUE**

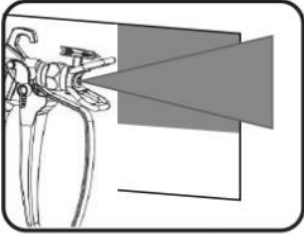


- Maintain about a 1-foot (30cm) distance away from the surface to be sprayed.



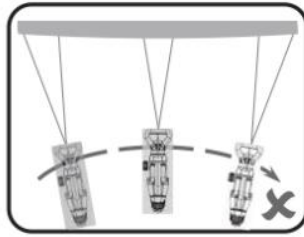
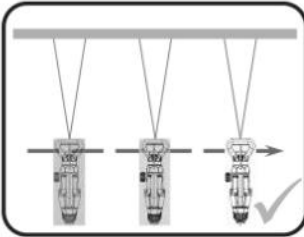


2. Start the movement of the stroke before squeezing the trigger and begin about 1 foot (15cm) away from the edge of the area being sprayed

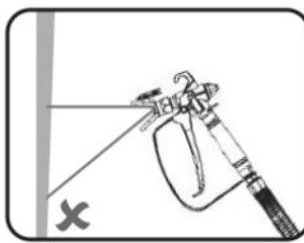
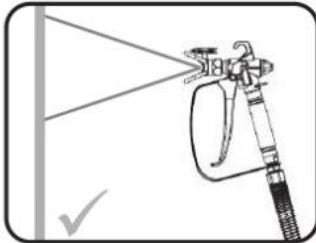


3. Release the trigger once past the opposite edge of the surface being sprayed.

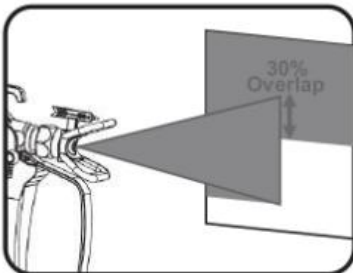
4. Move the gun with the entire arm without flexing your wrist to ensure an even spraying pattern.



5. Keep the spray gun at a right angle to the surface being painted.



6. Overlap each stroke by 30% to ensure even coverage.



## Other Helpful Hints

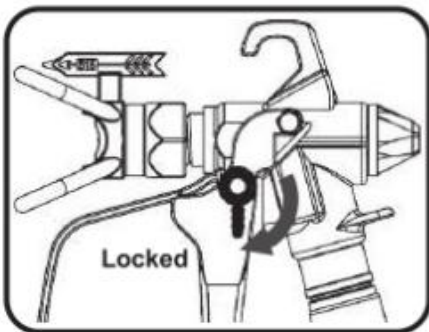
- Spraying outdoors on a windy day may result in poor results. Wait until there is no wind and the weather is satisfactory.
- Apply one coat at a time and allow it to dry completely before adding another coat.
- Avoid stopping and starting which will result in a patchy finish. Start on one edge of a surface and finish just past the opposite edge. Avoid stopping in the middle of a surface which may result in an uneven finish.

## **UNCLOGGING THE SPRAY TIP**

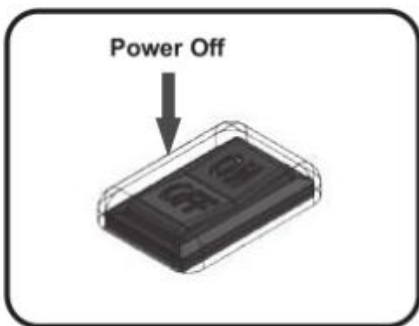
- The Nozzle Spray Tip (P) may occasionally become clogged with paint.

Follow these instructions to clear a clogged Nozzle Spray Tip:

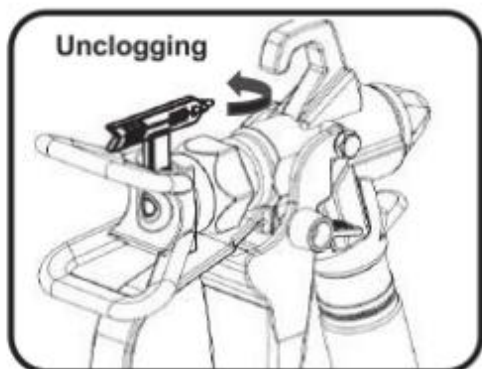
1. Release the trigger and engage the Trigger Lock(S)



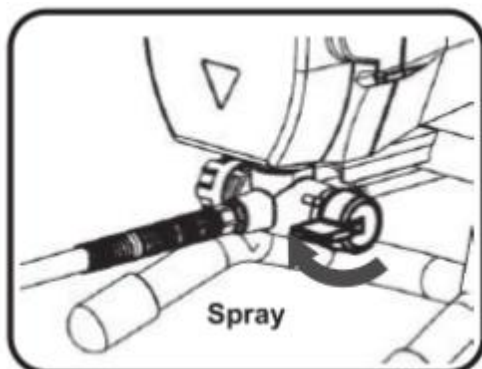
2. Place the ON/OFF Switch (B) into the OFF position and unplug the power cord.



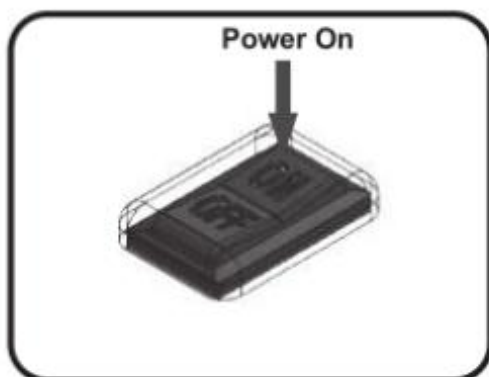
3. Rotate the Nozzle Spray Tip (P) so the arrow is pointing to the rear of the gun.



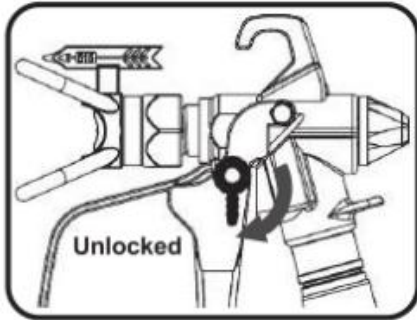
4. Turn the Spray / Prime Switch (F) to the Spray position.



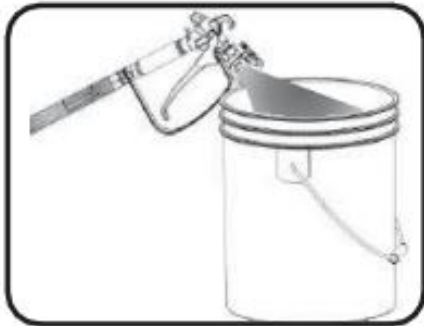
5. Place the power ON / OFF Switch (B) to the ON position.



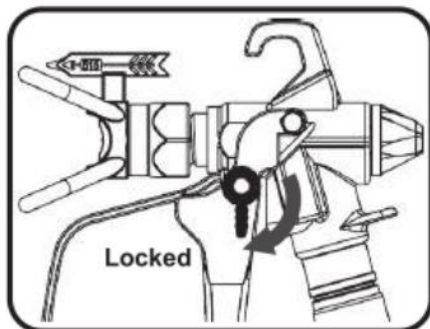
6. Disengage the Trigger Lock (S).



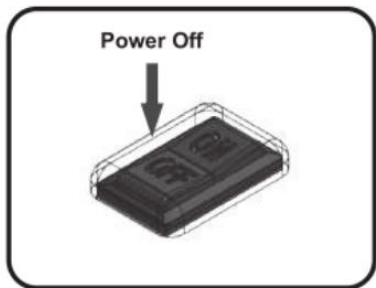
7. Point the spray gun into a grounded waste or solvent pail while holding any metal part of the spray gun firmly to the side of the pail to maintain ground continuity of the gun and pail, then operate the trigger several times to clear the clog.



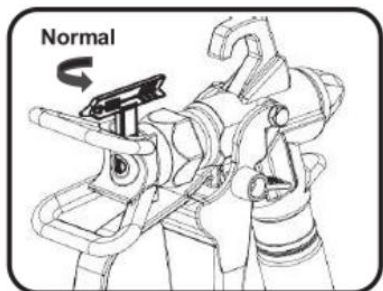
8. Release the trigger and engage the Trigger Lock (s).



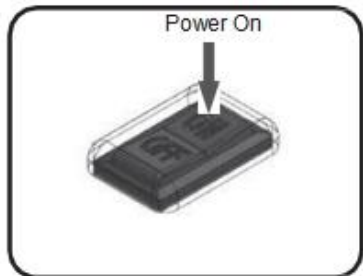
9. Place the ON/OFF Switch (B) into the OFF position and unplug the power cord.



10. Rotate the Nozzle Spray Tip (P) so the arrow is pointing to the front of the gun.



11. Place the power ON / OFF Switch (B) to the ON position.



## **CLEANING**

### **NOTICE**

**CLEAN AFTER USE TO PREVENT PERMANENT  
DAMAGE TO THE SPRAYER.**

**RETURNS NOT ACCEPTED & WARRANTY VOID IF SPRAYER IS NOT  
PROPERLY CLEANED IMMEDIATELY AFTER EVERY USE.**

## **USE THE CORRECT CLEANING FLUID**

If the paint being used was water based (acrylic paint), use **ONLY WATER** when performing the cleaning procedure.

**NOTE**• USING SOLVENT-BASED CLEANING FLUID ON WATER-BASED PAINTS WILL RESULT IN A SUBSTANCE THAT WILL BE EXTREMELY DIFFICULT TO CLEAN.

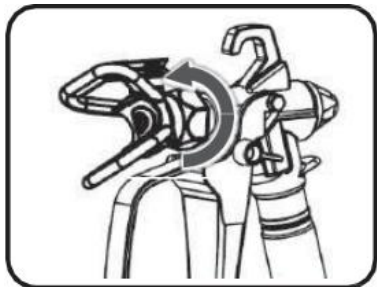
If the paint or coating material being used was oil-based (enamel paint, lacquer, etc.), refer to the coating material's label or MSDS to determine what solvent to use. These solvent-based cleaning fluids are safe to use in the airless sprayer:

- Mineral Turpentine
- Paint Thinner

## **CLEANING THE SPRAYER**

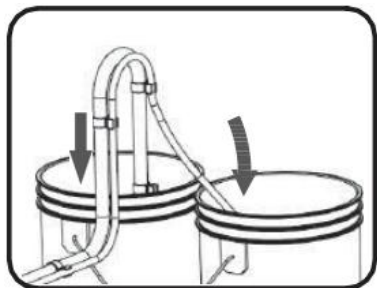
1. Start cleaning the sprayer **IMMEDIATELY** after use by following the **PRESSURE RELIEF PROCEDURE** on 9.

2. Use a wrench to remove the Nozzle Tip Guard (Q) and Nozzle Spray Tip (P) from the gun and place it into the cleaning fluid.

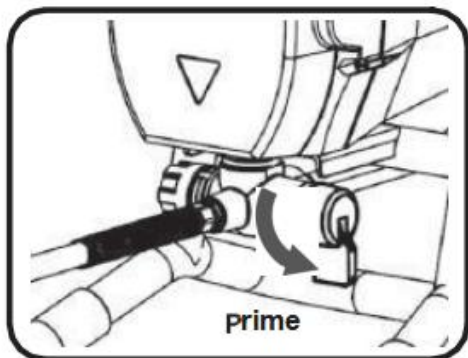


3. Separate the Primer Output Tube (H) from the Suction Tube (J). Place the Primer Output Tube

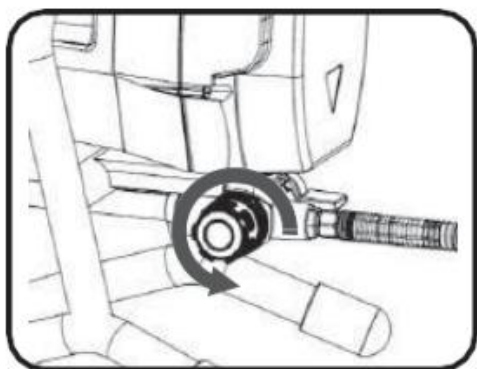
(H) into a waste pail, and the Suction Tube with Inlet Screen (K) into a pail that contains water or flushing solvent (read section titled **USE THE CORRECT CLEANING FLUID** discussed above).



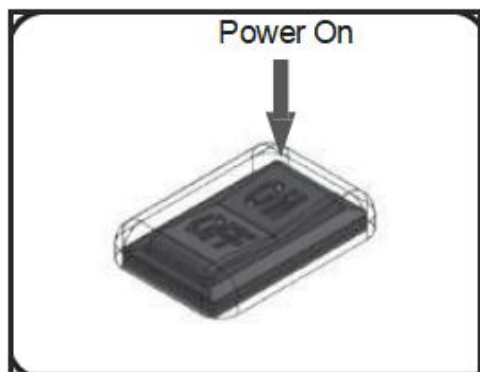
4. Check that the Spray/Prime Switch (F) is in the Prime Position.



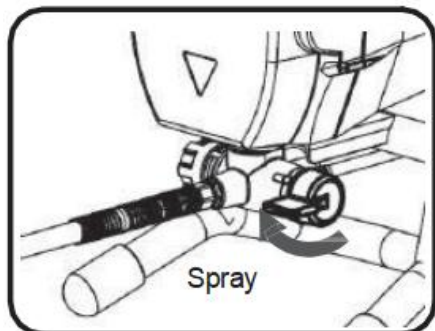
5. Set the Pressure Control Knob (D) to the Prime/Clean position.



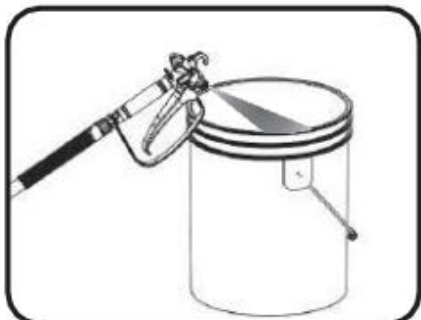
6. Place the power ON / OFF Switch (B) to the ON position.



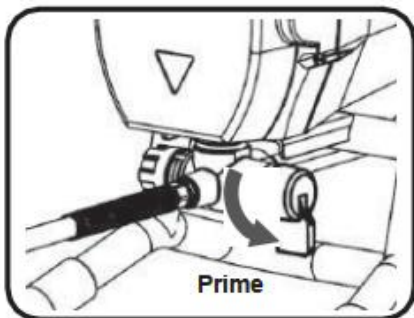
7. Once a steady stream of cleaning fluid is flowing from the Primer Output Tube (H), turn the Spray / Prime Switch (F) to the Spray position.



8. Point the spray gun into the waste pail while holding any metal part of the spray gun firmly to the side of the pail to maintain ground continuity of the gun and pail, then operate the trigger until the only fluid exiting the gun is cleaning fluid.

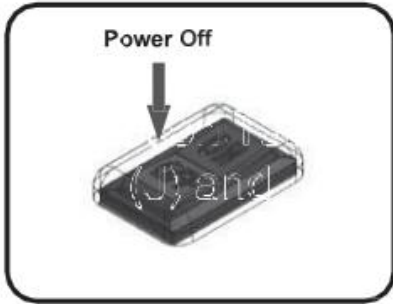


9. Change the Spray/Prime Switch (F) to the Prime Position, then repeat steps 7 and 8 until only cleaning fluid is exiting the sprayer.



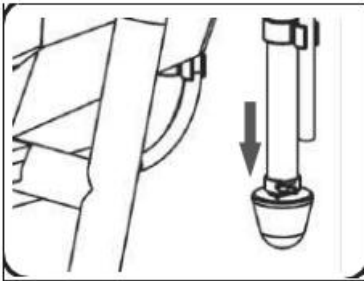


10. Place the ON/OFF Switch (B) into the OFF position and unplug the power cord.



### **CLEANING THE INLET HOSE**

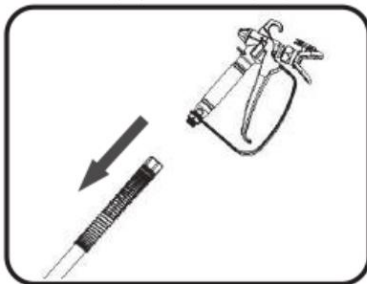
1. Remove the screen (K) from the Suction Tube (J) by loosening the hose clamp and moving it away from the filter.
2. Pull the Inlet Screen (K) out and rinse using the appropriate cleaning fluid.



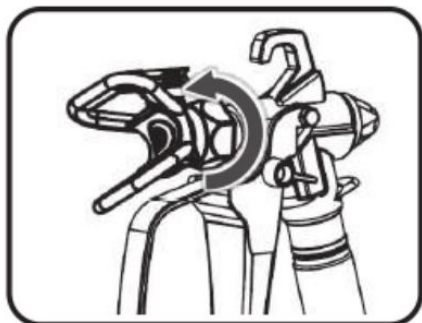
3. If the Inlet Screen(K) cannot be cleaned, replace with a new Inlet Screen.

### **CLEANING THE SPRAY GUN**

1. Follow the PRESSURE RELIEF PROCEDURE on 9.
2. Use a pair of wrenches and remove the High- Pressure Hose (M) from the Spray Gun.

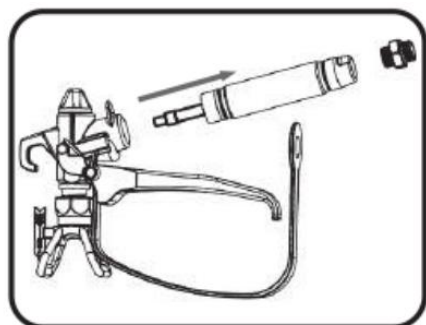


3. Use a wrench to remove the Nozzle Tip Guard (Q) and Nozzle Spray Tip (P) from the gun and place it into the cleaning fluid.



4. Use a pair of wrench and remove the Inlet port (V) from the gun.

5. Move the handle guard out of the way and use a wrench to remove the Handle (T) from the upper body of the spray gun.



6. Remove the mesh filter from within the Handle (T) and place it into the cleaning fluid.

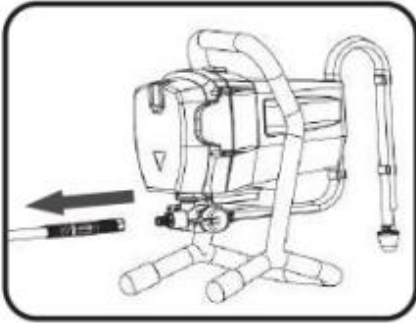
7. Use a soft brush to clean all components in the cleaning fluid.

8. Once cleaning is completed, reassemble the spray gun.

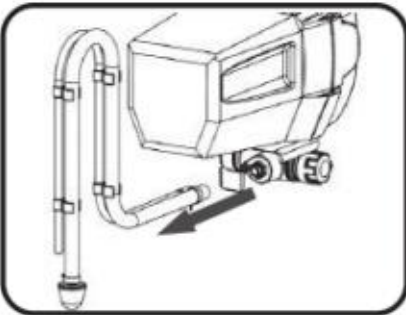
## **STORING THE SPRAYER**

It is very important that the Sprayer is NOT stored with water or water-based materials inside the pump, hose, tubes, or spray gun. Water remaining within these items will cause corrosion and damage them. Follow these procedures to store the sprayer.

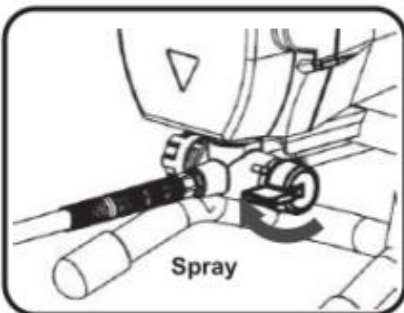
1. Before storing the sprayer follow the steps for cleaning the sprayer and spray gun.



2. Remove the High-Pressure hose from the sprayer.



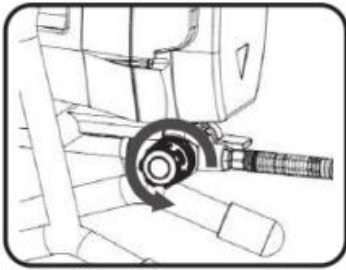
3. Remove the Primer Output Tube (H) and Suction Tube (J) with Inlet Screen (K) from the pump.



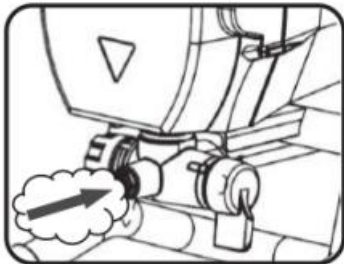
4. With the Sprayer turned over, add one ounce (30ml) of multi-purpose light machine oil such as sewing machine oil or ISO 22 oil to both the Suction Tube (J) and Primer Output Tube (H).

5. Set the Spray/Prime Switch (F) to the Spray Position.

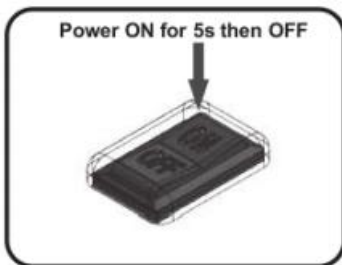
6. Set the Pressure Control Knob (D) to the Low Spray position.



7. Use a rag to cover the Output Port (E).



8. Place the power ON / OFF Switch (B) to the ON position for FIVE SECONDS, then turn the power ON /OFF Switch (B) to the OFF position.



9. Set the Spray/Prime Switch (F) to the Prime Position to ensure the oil stays in the system while being stored.


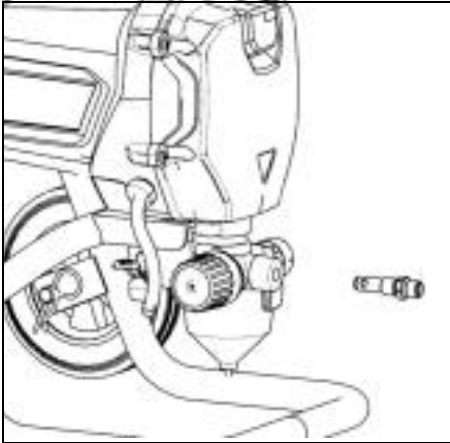

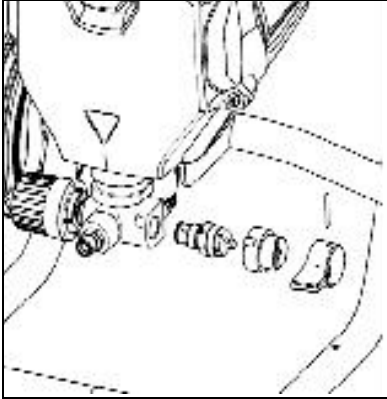
10. Replace the Primer Output Tube (H) and Suction Tube (J) onto the pump.

11. Wipe the sprayer with a clean cloth and store out of reach of children.

### **Spray Tips**

Always clean tips with compatible cleaning fluid and brush after spraying. Tips may require replacement after 15 gallons (57 liters) or they may last through 60 gallons (227liters) depending on abrasiveness of paint.

## Replacement part list

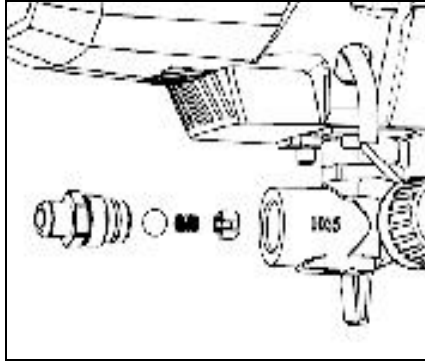
ITEM	Part	How to fine the parts
1	<p data-bbox="176 172 372 244">Discharge valve assembly</p> 	<p data-bbox="462 172 1003 244">Use a wrench to unscrew the discharge valve assembly</p> 
2	<p data-bbox="176 716 423 788">Pressure relief valve assembly</p> 	<p data-bbox="462 716 1050 868">Knock out the cylindrical pin, remove the switch knob and switch seat, and then use an adjustable wrench to unscrew the pressure relief valve assembly.</p> 

3

Feed valve assembly



Remove the connected feed pipe assembly, then unscrew the feed screw plug with the adjustable wrench, and take out the feed valve steel ball, feed spring, and feed spring seat.

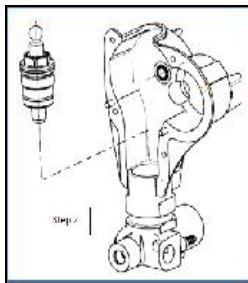
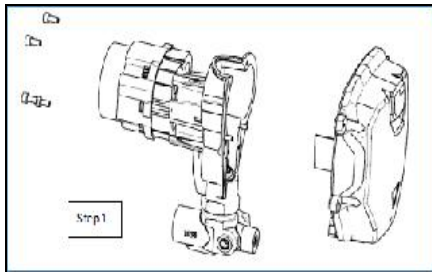


4

Plunger assembly



1. Use the hexagonal wrench on opposite side 5 to unscrew the 4 hexagonal screws to separate the pump body and pump cover.  
2. Use the extension sleeve on the opposite side 22 to remove the plunger assembly.

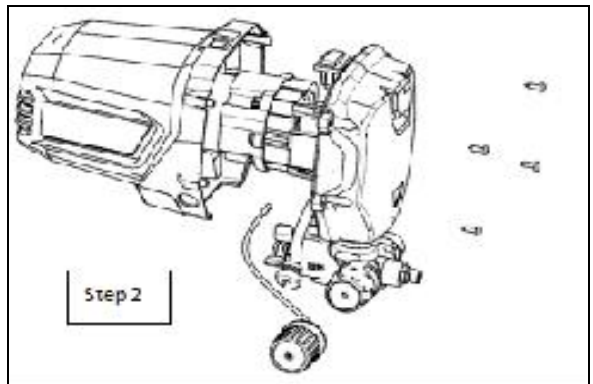
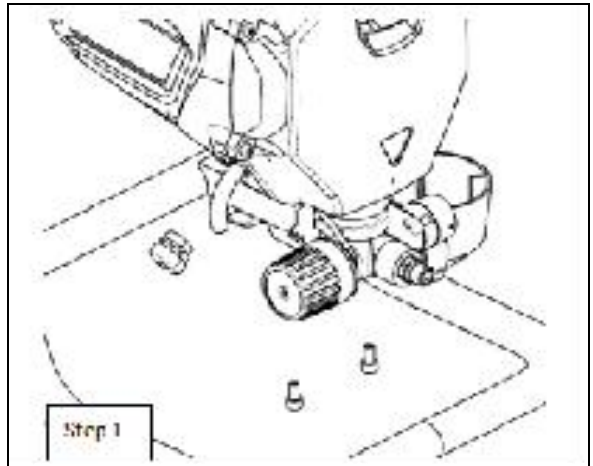


5

Pressure relief valve assembly



1. Remove the power cord without pulling it off, unscrew the two screws at the bottom, and remove the pump head from the frame.
2. Unscrew the four self-tapping screws on the pump cover and separate the rear housing and pump cover. Unplug the pressure regulator valve cable. Rotate the pressure regulating valve counterclockwise to expose the bayonet surface, and use an adjustable wrench to unscrew the pressure relief valve assembly.



## **Material Compatibility- Material and Paints which Can be used**

**WATER-BASED MATERIAL:** All sprayers CAN be used with water-based interior and exterior materials. Prior to spraying water-based materials, flush your sprayer with water.

Example: Wood lacquer, Latex, Stains...

**OIL-BASED MATERIAL:** All sprayers CAN be used with oil-based interior and exterior materials. The material label indicates COMBUSTIBLE and that it can be cleaned with mineral spirits or paint thinner. Prior to spraying with oil-based materials, flush your sprayer with mineral spirits.

Example: Acrylics, Decorative paint...

## **Material Compatibility-Material and Paints which Can not be used**

### **SOLVENT-BASED FLAMMABLE MATERIAL**

**MATERIALS THAT ARE TOO THICK** - requires a larger commercial airless or texture sprayer

- Deck and concrete restoration
- Elastomeric
- Roof coating - sealer, paint or primer
- Epoxy for concrete or fast-drying 1 or 2 component material
- Two component material such as bonding primer, garage floor paint
- Driveway sealer
- Texture or sand filled material
- Plaster
- Materials that include limestone, glass, clay, quartz such as specialty masonry, stucco, brick paint
- Metallic paint
- Magnetic paint or primer

### **HAZARDOUS MATERIALS**

- Paint & stain stripper
- Bleach or any material that includes bleach
- Herbicide
- Insecticide or pesticide
- Disinfectant



# **MAINTENANCE & REPAIR**

## **DAILY MAINTENANCE**

Equipment life is directly related to the quality of maintenance. Follow these guidelines to ensure a long equipment life.

Always follow the cleaning procedure immediately after use. Paint or water left in the equipment will cause blockages or corrosion which will make the unit stop working.

Use the Pressure Relief Procedure when shutting down, adjusting, performing maintenance or repair.

Ensure you or other operator have read and understand this manual prior to using the equipment.

Coil the High-Pressure hose after cleaning to prevent damage.

Periodically add multi-purpose light machine oil such as sewing machine oil or ISO 22 oil to the sprayer, as described in the section titled Storing the Sprayer, if being stored for a long period.

## **REPAIR**

- Have your power tool serviced by a qualified repair person using only identical replacement parts. This will ensure that the safety of the power tool is maintained.
- Keep all screws, nuts, washers, gaskets, and electrical fittings removed during repair. These parts are usually not provided with replacement kits.
- Review the section titled Troubleshooting to help identifying any issue.
- Do not operate the sprayer without the motor shroud in place. Replace if damaged. The motor shroud directs cooling air around the motor to prevent overheating and insulates the control board to prevent accidental shock.

## CAUTION

- Do not run the sprayer dry for more than 30 seconds. Doing so could damage the pump packing **seals**.
- Protect the internal drive parts of the sprayer from water. Openings in the cover allow for air cooling of both the mechanical parts and electronics. If water enters these openings, the sprayer may malfunction or be permanently damaged.
- Prevent corrosion or freezing of the pump to avoid damage. Fluids that freeze within the sprayer or High-Pressure hose will cause permanent damage. Always store the sprayer with a multi-purpose light machine oil such as sewing machine oil or ISO 22 oil added to the sprayer pump as described in the section titled Storing the Sprayer.

## SPRAYTIP SELECTION

Spray tips are numbered so that:

### SPRAYTIP SELECTION

- The first digit, when multiplied by two, gives the spray width in inches (with the spray tip 1-foot (30cm) away from the surface being sprayed).
- The last two digits specify the orifice size in thousands of an inch (Note: a larger orifice increases paint flow).
- The following are recommended spray tip orifice sizes for varying types of coating material: Lacquer & Stain: 0.007" — 0.013"      Enamel: 0.011" — 0.015" Acrylic: 0.015" — 0.021"

NOZZLE SPRAY TIP SELECTION CHART																	
Orifice Size (Inches)																	
Spray Width (Inches)		0.007"	0.009"	0.011"	0.013"	0.015"	0.017"	0.019"	0.021"	0.023"	0.025"	0.027"	0.029"	0.031"	0.033"	0.035"	
	2-4	107	109	111	113	115	117	119	121				129				
	4-6		209	211	213	215	217	219	221		225	227	229	231			235
	6-8	307	309	311	313	315	317	319	321	323	325	327	329	331	333		335
	8-10		409	411	413	415	417	419	421	423	425	427	429	431	433		435
	10-12		509	511	513	515	517	519	521	523	525	527	529	531	533		535
	12-14		609	611	613	615	617	619	621	623	625	627	629	631	633		635
	14-16			711	713	715	717	719	721	723	725	727	729	731	733		735
	16-18				813	815	817	819	821	823	825	827	829	831	833		835
	18-20									923		927		931	933		935

## TROUBLE SHOOTING

Problem	Cause	Solution
Power switch is on, and sprayer is plugged in, but motor does not run, and pump does not cycle.	Pressure Control Knob is set at zero pressure.	Turn Pressure Control Knob clockwise to increase pressure setting.
	Motor or control is damaged.	Have the sprayer serviced by a qualified repair person.
	Electric outlet is not providing power.	Try a different outlet or test the outlet with another appliance or circuit tester. Reset the circuit breaker or replace the fuse.
	Extension cord is damaged.	Replace the extension cord.
	Sprayer electric cord is damaged.	Unplug the sprayer cord and check for broken insulation or wires. Replace if damaged.

	<p>Paint and/or water is frozen or has hardened in the pump.</p>	<p>Unplug the sprayer from the outlet. If frozen, do not try to start the sprayer until it is completely thawed or the motor, control board, and/or drivetrain will be permanently damaged.</p> <p>Ensure the power switch is OFF, place the sprayer in a warm area for several hours, then plug in the power cord and turn the sprayer ON. Slowly increase pressure setting to see if the motor will start.</p> <p>If paint has hardened in the sprayer, the pump packing seals, valves, drivetrain, and/or pressure switch will need to be replaced. Have the sprayer serviced by a qualified repair person.</p>
<p>Pump does not prime.</p>	<p>Spray/Prime Switch is in Spray position.</p>	<p>Turn Spray/Prime Switch to Prime position (pointing down)</p>
	<p>Inlet screen is clogged, or suction tube is not immersed.</p>	<p>Clean debris from inlet screen and make sure the suction tube is immersed in fluid.</p>
	<p>Pump was not primed with water or solvent based flushing fluid.</p>	<p>Remove suction tube from paint. Prime the pump with the correct flushing fluid.</p>
	<p>Inlet valve check ball is stuck.</p>	<p>Remove the suction tube and place a pencil into the inlet section to dislodge the ball, allowing the pump to prime properly.</p>
	<p>Inlet valve check ball or seat is dirty.</p>	<p>Remove inlet fitting. Clean or replace the ball and seat.</p>
	<p>Outlet check ball or seat is dirty.</p>	<p>Remove the outlet fitting. Clean or replace the ball and seat.</p>
	<p>Suction tube is leaking.</p>	<p>Tighten the suction tube connection. Inspect for cracks or vacuum leaks.</p>
	<p>Fluids are viscous or sticky.</p>	<p>Some fluids may prime faster if the Power Switch is momentarily turned off so the pump can slow and stop. Repeat several times if necessary.</p>

<b>Problem</b>	<b>Cause</b>	<b>Solution</b>
Pump cycles but does not build up pressure.	Pump is not primed.	Prime the pump.
	Inlet screen is clogged	Clean the debris off the inlet screen and make sure the suction tube is immersed in fluid.
	Suction tube is not immersed in paint.	Make sure the suction tube is immersed in the paint.
	Suction tube is leaking.	Tighten the suction tube connection. Inspect the tube for cracks or vacuum leaks. If cracked or damaged, replace the suction tube.
	Spray/Prime Valve is worn or obstructed with debris.	Have the sprayer serviced by a qualified repair person.
	Inlet valve check ball is stuck.	Remove the suction tube and place a pencil into the inlet section to dislodge the ball, allowing the pump to prime properly.
	Inlet valve check ball or seat is dirty.	Remove inlet fitting. Clean or replace the ball and seat.
	Outlet check ball or seat is dirty.	Remove the outlet fitting. Clean or replace the ball and seat.
Pump cycles but paint only dribbles or spurts when the spray gun is triggered.	Pressure set too low.	Slowly turn the Pressure Control Knob clockwise to increase pressure setting.
	Nozzle Spray Tip is clogged.	Unclog the Nozzle Spray Tip.
	Spray gun filter is clogged.	Clean or replace the filter in the spray gun.

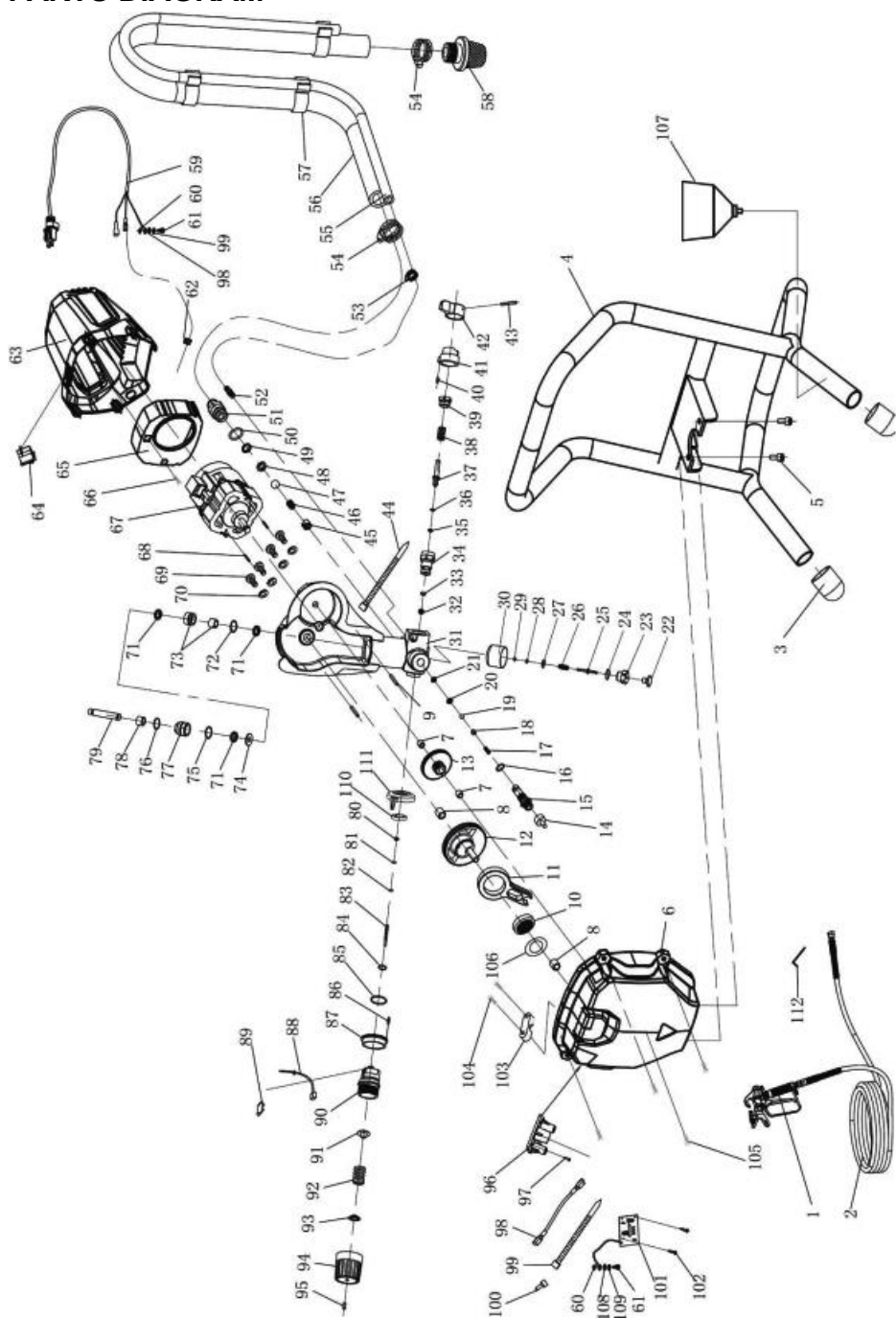
	Nozzle Spray Tip is too large or <b>WOITI</b> .	Replace the Nozzle Spray Tip.
Pressure is set at maximum but cannot achieve a good spray pattern.	Nozzle Spray Tip is in the Unclog position.	Relieve pressure and rotate the Nozzle Spray Tip so the arrow is pointing away from the handle.
	Nozzle Spray Tip is too large for the paint being sprayed.	Select a smaller Nozzle Spray Tip.
	Nozzle Spray Tip is worn.	Replace the Nozzle Spray Tip.
	Extension cord is too long or not heavy enough gauge.	Replace the extension cord with a 12 AWG cord.
	Spray gun fluid filter is clogged.	Clean or replace the spray gun fluid filter.
	Inlet screen is clogged.	Clean debris from inlet screen.
	Pump valves are worn, or debris is clogging the valves.	To check for worn pump valves: Prime the sprayer with paint. Trigger the gun momentarily. When the trigger is released, the pump should cycle momentarily and stop. If it continues to cycle, then the pump valve may be worn.
	Paint material is too thick.	Thin the paint material.
High pressure hose is too long.	If another hose section has been added, remove the hose extension.	

Problem	Cause	Solution
Spray gun stopped spraying.	Suction tube is leaking.	Tighten the suction tube connection. Inspect the tube for cracks or vacuum leaks.
	Nozzle Spray Tip is clogged.	Unclog the Nozzle Spray Tip.
Paint runs down the wall or sags.	Coat is going on too thick.	<p>Move the gun faster.</p> <p>Choose a Nozzle Spray Tip with a smaller orifice.</p> <p>Choose a Nozzle Spray Tip with a wider fan.</p> <p>Ensure a sufficient distance (1-foot or 30cm) from the gun to the painted surface.</p>
Coverage is too thin or sprayed paint is inadequate.	Coat is going on too thin.	<p>Move the gun slower.</p> <p>Choose a Nozzle Spray Tip with a larger orifice.</p> <p>Choose a Nozzle Spray Tip with a narrower fan.</p> <p>Ensure a sufficient distance (1-foot or 30cm) from the gun to the painted surface.</p>
Fan pattern varies dramatically while spraying. OR Sprayer does not turn on promptly when resuming spraying.	Pressure Control Knob is worn and causing excessive pressure variation.	Have the sprayer serviced by a qualified repair person.

Cannot trigger the spray gun.	Spray gun trigger lock is locked.	Rotate the trigger safety lever to the unlock position.
Paint is coming out of the pressure control knob.	Pressure Control Knob is worn.	Have the sprayer serviced by a qualified repair person.
Spray/Prime valve actuates automatically relieving pressure through the Output Prime Tube.	System is over-pressurized.	Have the sprayer serviced by a qualified repair person.
Paint leaks down the outside of the pump.	Pump packing seals have worn.	Replace pump packing seals.
Motor is hot and runs intermittently. Motor automatically shuts off due to excessive heat.	Vent holes in motor enclosure are plugged or sprayer is covered.	Keep vent holes clear of obstructions and overspray, and keep the sprayer uncovered and open to air.
Damage can occur if cause is not corrected.	Extension cord is too long or not heavy enough gauge.	Replace the extension cord with a 12 AWG cord.
	Unregulated electrical generator being used has excessive voltage.	Use an electrical generator with a proper voltage regulator. Sprayer requires a 120VAC, 60Hz, 1500-Watt generator.



# PARTS DIAGRAM



## PARTS LIST

No.	Description	No.	Description	No.	Description	No.	Description
1	Airless Spray Gun	34	Press. Relief Valve Seat	67	Motor Assembly	100	Locking Ring
2	High Pressure Hose	35	O-Ring, 5 x 1.8	68	Pin, 3 x12	101	PCB Assembly
3	Foot Pads	36	Ring	69	Hex Bolt, MS x 14	102	Self Tapping Screw
4	Base Frame	37	Press. Relief Valve Shaft	70	Spring Washer, M5	103	Baseline Plate
5	Hex Bolt, M6 x 25	38	Spring	71	Composite Retaining Ring	104	Bolt, M4 x 20
6	PumpCover	39	Spring Seat	72	O-Ring, 22.5 x 1.8	105	Bolt, M4.8 x 16
7	Sm Brass Bushing	40	Pin, 3 x8	73	Trap	106	Roller Brg. Cvr.
8	Lg Brass Bushing	41	Switch Seat	74	Flat Washer	107	Funnel
9	Pin, 5 x 12	42	Switch Knob	75	Seal Ring	108	Flat Washer, M4
10	Roller Bearing	43	Pin, 2.5 x25	76	O-Ring, 26.5 x 1.8	109	Spring Washer, M4
11	Connecting Rod	44	Nylon Cable Tie	77	Plunger Seat	110	Press. Ctl. Gasket
12	Crank Gearwheel	45	Inlet Spring Holder	78	Guide Sheath	111	Press. Ctl. Indicator Ring
13	Cluster Gear	46	Inlet Spring	79	Piston		
14	Thread Protector	47	Steel Ball, 12.7	80	Lock Sleeve		
15	Discharge Valve Seat	48	Inlet Seal	81	Reinforced Seal		
16	O-ring, 10 x 8	49	Inlet Washer	82	White Seal		
17	Output spring	50	O-ring, 17 x1.8	83	Switch Shaft		
18	Mandrel	51	Inlet Port	84	O-ring, 8.8 x 1.9		
19	Steel Ball, 6.4	52	Press. Relief Plug	85	O-ring, 27 x 2.4		
20	SealSeat	53	Sm Hose Clamp	86	Bolt, M3 x 10		

21	Output Washer	54	Lg Hose Clamp	87	End Cap		
22	Pushbutton	55	Primer Output Tube	88	Microswitch Assy.		
23	Pushbutton Spring	56	Suction Tube	89	Microswitch Cover		
24	O-ring, 10 x 1.5	57	HoseClip	90	Press. Ctl. Seat Insert		
25	Pushbutton Shaft	58	Inlet Screen Assy.	91	Deflation Cap		
26	Pushbutton Spring	59	PowerCord	92	Press. Ctl. Spring		
27	Brass Spacer	60	Locknut	93	Spring Seat		
28	Retaining Ring	61	Screw, M4 x 8	94	Press. Ctl. Knob		
29	O-ring 2.4 x 1.8	62	Cord Strain Relief	95	Press. Ctl. Screw		
30	Pushbutton Housing	63	Motor Housing	96	PCB Support Brkt.		
31	Pump Housing	64	Power Switch	97	Bolt, M4 x 10		
32	Plastic Washer	65	Fan Shroud	98	Wire Connector		
33	Plastic Washer	66	Bolt, 2 x16	99	Nylon Cable Tie		

**Address:** Baoshanqu Shuangchenglu 803long 11hao 1602A-1609shi Shanghai  
**Imported to AUS:** SIHAO PTY LTD. 1 ROKEVA STREETEASTWOOD NSW 2122  
Australia

**Imported to USA:** Sanven Technology Ltd. Suite 250, 9166 Anaheim Place,  
Rancho Cucamonga, CA 91730

<b>EC</b>	<b>REP</b>	SHUNSHUN GmbH Römeräcker 9 Z2021,76351 Linkenheim-Hochstetten, Germany
-----------	------------	--

<b>UK</b>	<b>REP</b>	Pooledas Group Ltd Unit 5 Albert Edward House, The Pavilions Preston, United Kingdom
-----------	------------	--

**Made In China**

**VEVOR<sup>®</sup>**

**TOUGH TOOLS, HALF PRICE**

**Technical Support and E-Warranty Certificate**

**[www.vevor.com/support](http://www.vevor.com/support)**

# **VEVOR®**

**TOUGH TOOLS, HALF PRICE**

Técnico Soporte y certificado de garantía electrónica [www.vevor.com/support](http://www.vevor.com/support)

## **Pulverizador de pintura sin aire de alta presión**

We continue to be committed to provide you tools with competitive price.

"Save Half", "Half Price" or any other similar expressions used by us only represents an estimate of savings you might benefit from buying certain tools with us compared to the major top brands and does not necessarily mean to cover all categories of tools offered by us. You are kindly reminded to verify carefully when you are placing an order with us if you are actually saving half in comparison with the top major brands.



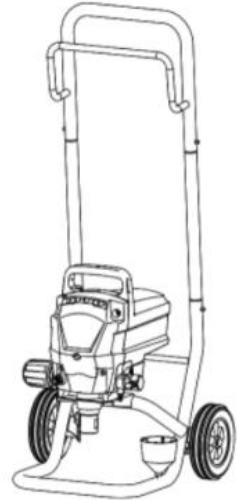
# VEVOR®

TOUGH TOOLS, HALF PRICE

## HIGH PRESSURE AIRLESS PAINT SPRAYER



RP862 6



RP862 6 MÀS

### NEED HELP? CONTACT US!

Have product questions? Need technical support? Please feel free to contact us:

**Technical Support and E-Warranty Certificate**  
[www.vevor.com/support](http://www.vevor.com/support)

This is the original instruction, please read all manual instructions carefully before operating. VEVOR reserves a clear interpretation of our user manual. The appearance of the product shall be subject to the product you received. Please forgive us that we won't inform you again if there are any technology or software updates on our product.



### 3. Instrucciones de seguridad importantes

de instrucciones está destinado a su beneficio . Lea y siga las normas de seguridad, instalación y mantenimiento. y los pasos de solución de problemas descritos aquí para garantizar su seguridad y satisfacción. El contenido de esta instrucción. manual se basan en la información más reciente sobre el producto disponible en el momento de su publicación. El fabricante se reserva el derecho de realizar cambios en el producto en cualquier momento sin previo aviso.











Las instrucciones de seguridad proporcionadas en este manual no pretenden cubrir posibles condiciones y prácticas que Puede ocurrir al operar, mantener y limpiar equipos eléctricos.









Utilice siempre el sentido común y preste especial atención a todos los PELIGRO, ADVERTENCIA, PRECAUCIÓN y AVISO. declaraciones en este manual.

Mantener etiquetas. Estos llevan información importante. La etiqueta de su herramienta puede incluir los siguientes símbolos. Los símbolos y sus definiciones son los siguientes:

Símbolo	Propiedad o Declaración
	Advertencia - Para reducir el riesgo de lesiones, el usuario debe leer atentamente el manual de instrucciones. Lea y comprenda este manual de instrucciones antes de utilizar este producto. De lo contrario, se pueden producir lesiones graves o la muerte.
	<b>Símbolo de alerta de seguridad</b> Este símbolo, colocado antes de un comentario de seguridad, indica un tipo de precaución, advertencia o peligro. Ignorar esta advertencia puede provocar un accidente. Para reducir el riesgo de lesiones, incendio o electrocución, siga siempre las recomendaciones que se muestran a continuación.



	<p><b>¡Peligro!</b>          ¡Riesgo de lesiones personales o daños medioambientales!          ¡Riesgo de shock eléctrico! ¡Riesgo de lesiones personales por descarga eléctrica!</p>
	<p>Advertencia: asegúrese de usar protectores auditivos cuando utilice este producto.</p>
	<p>Advertencia: asegúrese de usar protectores para los ojos cuando utilice este producto.</p>
	<p>Advertencia: asegúrese de usar máscaras antipolvo cuando utilice este producto.</p>
	<p>Advertencia: asegúrese de usar guantes cuando utilice este producto.</p>
	<p>Riesgo de fuego</p>
	<p> Riesgo de explosión.</p>
	<p>  Riesgo de inyección cutánea.</p>
	<p> Riesgo de humos tóxicos. Usar sólo en áreas bien ventiladas.</p>
	<p>Peligro de piezas de aluminio presurizadas.</p>
	<p>Evite fuentes de ignición como luces piloto, cigarrillos, lámparas portátiles, etc.</p>
	<p>Alivie la presión del sistema.</p>

	<p>Superficies calientes/peligro de quemaduras.</p>
	<p><b>Información de eliminación:</b>  Este producto está sujeto a las disposiciones de la Directiva Europea 2012/19/CE. El símbolo que muestra un contenedor con ruedas tachado indica que el producto requiere recogida selectiva de basura en la Unión Europea. Esto se aplica al producto y a todos los accesorios marcados con este símbolo. Los productos marcados como tales no podrán desecharse con la basura doméstica normal, sino que deberán llevarse a un punto de recogida para el reciclaje de aparatos eléctricos y electrónicos .</p>
V	Voltios
A	amperios
Hz	hercios
W.	vatios
	Corriente alterna (CA)
	Corriente Continua (CC)
	Corriente alterna o continua (AC/DC)
	Terminal de comidas
	Construcción clase I (puesta a tierra)
	Construcción Clase II (doble aislamiento)
PSI	Libras por pulgada cuadrada
MPa	Megapascales
RPM	Revoluciones por minuto

mín.	Minutos
s	Segundos

## **NORMAS GENERALES DE SEGURIDAD PARA HERRAMIENTAS ELÉCTRICAS**

### **UNA ADVERTENCIA**

**LEA TODAS LAS ADVERTENCIAS DE SEGURIDAD Y TODAS LAS INSTRUCCIONES.** El incumplimiento de las

**advertencias e instrucciones** puede provocar descargas eléctricas, incendios, explosiones y/o lesiones graves.

**GUARDE TODAS LAS ADVERTENCIAS E INSTRUCCIONES PARA FUTURAS CONSULTAS.**

**El término "herramienta eléctrica" en las advertencias se refiere** a su herramienta eléctrica alimentada por red eléctrica (con cable).

### **SEGURIDAD DEL ÁREA DE TRABAJO**

- Mantener el área de trabajo limpia y bien iluminada. Las zonas desordenadas u oscuras invitan accidentes
- No opere herramientas eléctricas en atmósferas explosivas, como en presencia de líquidos, gases o polvo inflamables. Las herramientas eléctricas crean chispas que pueden encender el polvo o los vapores.
- Mantenga alejados a los niños y a otras personas mientras utiliza una herramienta eléctrica. Las distracciones pueden hacer que pierdas el control.

### **SEGURIDAD PERSONAL**

- **Manténgase alerta, observe lo que hace y use el sentido común al operar una herramienta eléctrica. No utilice una herramienta eléctrica si está cansado o bajo la influencia de drogas, alcohol o medicamentos. Un momento de distracción mientras se utilizan herramientas eléctricas puede provocar lesiones personales graves.**
- **Utilice equipo de protección personal. Utilice siempre protección para los ojos con protectores laterales. El equipo de protección , como respiradores, máscaras contra el polvo, zapatos de seguridad antideslizantes, casco y**

protección auditiva, reducirá las lesiones personales.

- **Evite el arranque involuntario. Asegúrese de que el interruptor esté en la posición de apagado antes de conectarlo a la fuente de alimentación, levantar o transportar la herramienta. Llevar herramientas eléctricas con el dedo**
- El interruptor o la activación de herramientas eléctricas que tienen el interruptor encendido invitan a sufrir accidentes.
- **No te excedas.** Mantenga siempre una posición y un equilibrio adecuados para permitir un mejor control de la herramienta eléctrica en situaciones inesperadas.
- **Vístete apropiadamente.** No use ropa suelta o joyas. Mantenga el cabello, la ropa y los guantes alejados de las piezas móviles. La ropa suelta, las joyas o el cabello largo pueden quedar atrapados en las piezas móviles.
- **Mantenga las manijas y las superficies de agarre secas y limpias. y libre de aceite y grasa.** Los mangos y superficies de agarre resbaladizos no permiten un manejo y control seguros de la herramienta en situaciones inesperadas.
- **No permita que la familiaridad adquirida con el uso frecuente de herramientas le permita volverse complaciente e ignorar los principios de seguridad.** Una acción descuidada puede provocar lesiones graves en una fracción de segundo.
- **Este producto no está diseñado para que lo utilicen personas (incluidos niños) cuyas capacidades físicas, sensoriales o mentales sean diferentes o reducidas, o que carezcan de experiencia o conocimiento, a menos que dichas personas reciban supervisión o capacitación en el funcionamiento del aparato por parte de una persona responsable de su seguridad.** Se debe supervisar a los niños para asegurarse de que no utilicen el dispositivo como juguete.

#### **ELÉCTRICA USO Y CUIDADO DE LA HERRAMIENTA ELÉCTRICA**

- **LIMPIAR EL PULVERIZADOR DESPUÉS DE CADA USO.**
- **No fuerce la herramienta eléctrica. Utilice la herramienta eléctrica adecuada para su aplicación. La herramienta eléctrica adecuada hará el trabajo mejor y de forma más segura al ritmo para el que fue diseñada.**
- **No utilice la herramienta eléctrica si el interruptor no la enciende y apaga. Cualquier herramienta eléctrica que no pueda controlarse con el interruptor es peligrosa y debe repararse.**
- **Desconecte el enchufe de la fuente de alimentación antes de realizar cualquier ajuste, cambiar accesorios o guardar herramientas eléctricas. Estas medidas de seguridad preventivas reducen el riesgo de poner en marcha**

accidentalmente la herramienta eléctrica.

- **Guarde las herramientas eléctricas inactivas fuera del alcance de los niños y no permita que personas que no estén familiarizadas con la herramienta eléctrica o con estas instrucciones la operen. Las herramientas eléctricas son peligrosas en manos de usuarios no capacitados.**
- **Mantener herramientas eléctricas. Verifique si hay desalineación o atascamiento de piezas móviles, roturas de piezas y cualquier otra condición que pueda afectar el funcionamiento de la herramienta eléctrica. Si está dañada, haga reparar la herramienta eléctrica antes de utilizarla. Muchos accidentes son causados por herramientas eléctricas en mal estado.**

#### DE SERVICIO

- **Utilice la herramienta eléctrica, los accesorios, las brocas, etc. de acuerdo con estas instrucciones, teniendo en cuenta las condiciones de trabajo y el trabajo a realizar.** El uso de la herramienta eléctrica para operaciones diferentes a las previstas podría provocar una situación peligrosa.
- **Verifique si hay piezas dañadas antes de cada uso.** Verifique para determinar que las guardas funcionen correctamente y realicen su función prevista. Verifique la alineación de las piezas móviles, atascamiento de las piezas móviles, rotura de piezas, montaje y cualquier otra condición que pueda afectar su funcionamiento. Una protección u otra pieza dañada debe ser reparada o reemplazada adecuadamente por un centro de servicio autorizado. Seguir esta regla reducirá el riesgo de descarga eléctrica, incendio o lesiones graves.
- **Inspeccione periódicamente el cable de la herramienta eléctrica y, si está dañado,** debe ser reemplazado únicamente por el fabricante o por un centro de servicio autorizado para evitar riesgos. Seguir esta regla reducirá el riesgo de descarga eléctrica o incendio.
- **técnico calificado revise su herramienta eléctrica utilizando únicamente piezas de repuesto idénticas.** Esto garantizará que se mantenga la seguridad de la herramienta eléctrica.

## ADVERTENCIAS DE SEGURIDAD ESPECÍFICAS

## UNA ADVERTEN CIA

Este rociador no está diseñado para usarse con materiales inflamables o combustibles utilizados en aplicaciones industriales o en ubicaciones fijas, como fábricas o talleres de pintura. Siga todas las regulaciones federales, estatales o provinciales aplicables y cumpla con los requisitos de NFPA 33 y OSHA si se usa en estas aplicaciones. Siga todas las regulaciones federales, estatales o provinciales aplicables y cumpla con los requisitos de NFPA 33 y

### SEGURIDAD

## ! PELIGRO



### Para reducir el riesgo de incendio o explosión:

- **Los vapores del disolvente y la pintura son inflamables y pueden encenderse o explotar.** Úselo únicamente en un área bien ventilada y permita que el aire fresco circule por el área de trabajo. Mantenga la bomba bien ventilada y no rocíe el conjunto de la bomba.
- **El pulverizador genera chispas.** Cuando se utiliza líquido inflamable dentro o cerca del rociador o para enjuague o limpieza, mantenga el rociador al menos a 20 pies (6 m) de distancia de vapores explosivos.
- **No rocíe materiales inflamables o combustibles cerca de una llama abierta o fuentes de ignición como calentadores de agua, cigarrillos, motores y equipos eléctricos con luces piloto.** Utilice únicamente materiales a base de agua o de tipo alcohol mineral con un punto de inflamación superior a 70 °F (21 °C).
- **La pintura o el solvente que fluye a través del equipo pueden generar electricidad estática.** La electricidad estática crea un riesgo de incendio o explosión en presencia de vapores de pintura o disolventes. Todas las partes del sistema de aspersión, incluida la bomba, el conjunto de manguera, la pistola rociadora y los objetos dentro y alrededor del área de aspersión deben estar conectados a tierra adecuadamente para proteger contra descargas estáticas y chispas. Utilice

únicamente mangueras para pulverizador de pintura sin aire de alta presión conductoras o conectadas a tierra especificadas por el fabricante.

- **Evite la descarga estática asegurándose de que todos los contenedores y sistemas de recolección estén conectados a tierra adecuadamente.**
- **Utilice siempre un tomacorriente con conexión a tierra y cables de extensión con conexión a tierra.** No utilice un adaptador de enchufe de 3 a 2.
- **No utilice pintura o disolvente que contenga hidrocarburos halogenados.** Conozca el contenido de las pinturas y solventes que se rocían. Lea todas las Hojas de datos de seguridad de materiales (MSDS) y las etiquetas de los contenedores proporcionadas con las pinturas y los solventes. Siga las instrucciones de seguridad del fabricante de pinturas y solventes.
- **Mantenga siempre cerca un extintor de incendios que funcione.**
- **No fumar en el área de trabajo.**
- **No opere interruptores de luz, motores o productos similares que produzcan chispas en el área de pulverización.**
- **Mantenga el área de trabajo limpia y libre de contenedores de pintura o solventes, trapos y otros materiales inflamables.**

## SEGURIDAD ELÉCTRICA

**! DANGER**



**Para reducir el riesgo de descarga eléctrica:**

- **Este producto requiere un tomacorriente con conexión a tierra adecuada para reducir el riesgo de descarga eléctrica.** Asegúrese de que la toma de corriente esté correctamente conectada a tierra de acuerdo con todos los códigos y ordenanzas locales. El enchufe y el tomacorriente deben verse como los de la Fig. A. Consulte con

un electricista calificado o personal de servicio si no comprende las instrucciones de conexión a tierra o si tiene dudas sobre si el equipo está conectado a tierra correctamente.

- **No modifique el enchufe del cable de alimentación proporcionado con la herramienta.** Nunca retire la clavija de conexión a tierra del enchufe. Si el enchufe no encaja en el tomacorriente, haga que un electricista calificado instale un tomacorriente adecuado.
- **No utilice la herramienta si el cable de alimentación o el enchufe están dañados.** Si está dañado, llévelo a reparar a un centro de servicio antes de usarlo.
- **El tomacorriente debe coincidir con el enchufe.** No utilice ningún tipo de adaptador con un enchufe con conexión a tierra. Los enchufes no modificados y los tomacorrientes compatibles reducirán el riesgo de descarga eléctrica.
- **Evite el contacto corporal con superficies conectadas a tierra o conectadas a tierra, como tuberías, radiadores, estufas y refrigeradores.** Existe un mayor riesgo de sufrir una descarga eléctrica si su cuerpo está conectado a tierra o a tierra.
- **No exponga este producto a la lluvia o condiciones húmedas.** La entrada de agua en el producto aumentará el riesgo de descarga eléctrica.
- **Si se necesita un cable de extensión, utilice un cable de extensión de 12 AWG (2,5 mm) como mínimo para suministrar la cantidad correcta de corriente a la herramienta.** Un cable de tamaño insuficiente provocará una caída de voltaje que provocará una pérdida de energía. y sobrecalentamiento.
- **cable de extensión de 3 cables con un enchufe con conexión a tierra que tenga un receptáculo con conexión a tierra adecuada que acepte el enchufe de esta herramienta.**



- **Siga los códigos locales al elegir un cubo de solvente para lavar.** Utilice



únicamente cubos de metal conductor colocados sobre una superficie conectada a tierra, como concreto. No coloque el cubo sobre una superficie no conductora como papel o cartón. Conecte un cable a tierra entre el cubo y una conexión a tierra, como un tubo de metal. Al lavar o aliviar la presión, mantenga una parte metálica de la pistola rociadora contra el cubo para asegurar la continuidad a tierra y luego rocíe.

## SEGURIDAD DE LA INYECCIÓN



**¡EN CASO DE INYECCIÓN ACCIDENTAL EN LA PIEL, BUSQUE TRATAMIENTO MÉDICO INMEDIATO!** Las salpicaduras o las fugas de alta presión pueden penetrar la piel y provocar lesiones graves o la muerte.

**Para reducir el riesgo de inyección cutánea:**

- **Verifique que todas las conexiones estén apretadas ANTES de encender la unidad.**
- **No apunte la pistola ni el spray a ninguna persona o animal.**
- **Mantenga las manos y otras partes del cuerpo alejadas de la punta del rociador y de las fugas.** No intente detener las fugas con ninguna parte del cuerpo.
- **Utilice siempre un protector de punta de boquilla.** Nunca pulverice sin tener instalado un protector de punta de boquilla.
- **Enganche el seguro del gatillo cuando no esté pulverizando.** El equipo mantiene la presión después de que se corta la energía.
- **Inspeccione las mangueras y las piezas en busca de daños antes de cada uso.** Reemplace cualquier manguera o pieza dañada únicamente con repuestos originales.
- **Los componentes de repuesto deben tener una presión nominal no inferior a la presión nominal de la bomba de 3000 PSI (205 bar).**

**! WARNING**



- **Siga siempre el Procedimiento de alivio de presión para apagar y aliviar la presión. No deje la unidad energizada o bajo presión mientras esté desatendida o no esté en uso.**
- **Tenga cuidado al limpiar y cambiar mangueras, puntas de boquilla, protectores de punta o al instalar extensiones. Siga el Procedimiento de alivio de presión para apagar y aliviar la presión antes de intentar cambiar.**

**SEGURIDAD DE LA SUPERFICIE**

**! WARNING**



Las superficies del equipo y el fluido que están presurizados pueden calentarse durante el funcionamiento. Evite quemaduras al no tocar líquidos o equipos calientes.

**EQUIPO SEGURIDAD**

**! WARNING**



EL MAL USO DE ESTE EQUIPO PUEDE CAUSAR LA MUERTE O LESIONES GRAVES.

- **No opere la unidad cuando esté fatigado o bajo la influencia de drogas o alcohol.**
- **Los fluidos o vapores tóxicos pueden causar lesiones graves. o la muerte si salpica los ojos o la piel, se inhala o se ingiere. Siempre use**

ropa personal Equipo de protección que incluye protección para los ojos, careta, protección para los oídos y respirador o mascarilla. mascarilla. Revise siempre la MSDS y conozca los peligros específicos del fluido que está utilizando.

- No exceda la presión máxima de trabajo. o clasificación de temperatura de la calificación más baja componente del sistema.
- **Utilice líquidos y disolventes que sean compatibles con equipo.** Siempre lea fluido y solvente. advertencias del fabricante.
- **El equipo presurizado puede arrancar sin advertencia.** Antes de inspeccionar, mover o dar servicio el equipo, siga las instrucciones de alivio de presión. Procedimiento en este manual y desconecte el fuente de alimentación.

#### PRESURIZADO ALUMINIO SEGURIDAD

**⚠ WARNING**



Usar líquidos que sean incompatibles con el aluminio. en equipos presurizados puede causar un daño grave. reacción química y rotura del equipo. Falla Seguir esta advertencia podría provocar la muerte, lesiones graves o daños a la propiedad.

No utilice 1,1,1 - tricloroetano , metileno cloruro u otros halogenados hidrocarburo disolventes o fluidos que contengan dichos disolventes.

Muchos otros fluidos pueden contener sustancias químicas que puede reaccionar con el aluminio. Contacta con tu material proveedor para compatibilidad .

#### WARNING

Antes de utilizar este producto, lea y comprenda todas las instrucciones y advertencias de seguridad. El uso inadecuado puede provocar lesiones graves o daños a la propiedad.

1 .Advertencias \_ debe ser seguido con cuidado \_ a evitar cuerpo lesión. Incorrecto usar puede resultado en descarga eléctrica, incendio, lesiones personales y otros daños:

1 ) Mantener desenchufar cuando moviendo el máquina.

- 2 ) Mantener desenchufar cuando instalando \_ accesorios
- 3 ) Colóquelo un piso y estable plataforma y funcionar poco ventilado condiciones
- 4) Use ropa especial equipo de protección cuando operando el máquina
- 5)Hacer no usar esto máquina en a ubicación peligrosa.
- 6) hacer no usar cuando el máquina es no laboral adecuadamente .
- 7) hacer no desmontar y reparar este máquina .
- 8) hacer no usar un inadecuado C.A. Salida .
- 9)Hacer no tocar el calefacción plato cuando el la máquina se está calentando .
- 10)Hacer No utilice en un húmedo medio ambiente o contacto con el agua. Hacer no infiltrado \_\_ líquido en el máquina para prevenir el fuego o descarga eléctrica causada por cortocircuito.
- 11) Hacer no usar el fuerza suministrar eso hace no encontrarse el clasificado Voltaje . El fuerza suministrar Eso hace no cumple con el voltaje especificado puede causar incendio o eléctrico choque.
- 12) Asegurar eso el máquina es conectado a tierra entonces como no a causa dañar Al cuerpo . \_
- 13)Hacer no tocar el rotando \_ vara o rodamiento sepárese con los dedos durante usar en caso de lesiones .
- 14) Si el máquina es no en usar para a largo tiempo , por favor desenchufar el fuerza cable de el enchufe .
- 15) Hacer no usar el máquina durante las tormentas o iluminación a evitar daño a el máquina .
- 16) Coloque el máquina suavemente sobre la mesa retardante de llama y mantenerse alejado de fl amable y explosivo elementos.
- 17) Por favor detener usando él si el máquina fuma , emite a peculiar oler , o se convierte ruidoso y en otro anormal condiciones.
- 18)Este aparato poder ser usado por niños Envejecido de 8 años y arriba y personas con reducido físico , sensorial o mental capacidades o falta de experiencia y conocimiento \_  
si han recibido supervisión o instrucciones sobre el uso del aparato en un lugar seguro manera y comprender los peligros involucrados. Los niños

no deben jugar con el aparato. La limpieza y el mantenimiento del usuario no deben ser realizados por niños sin supervisión.

21) tipo Z : si el cable de alimentación no se puede reemplazar . Si el cable está dañado, el aparato debe desecharse.

22) Para evitar riesgos debido al reinicio involuntario del interruptor térmico, este El aparato no debe recibir alimentación a través de un dispositivo de conmutación externo, como un temporizador, o conectado a un circuito que la empresa de servicios públicos enciende y apaga regularmente.

## FCC INFORMATION

**PRECAUCIÓN:** ¡Los cambios o modificaciones no aprobados expresamente por la parte responsable del cumplimiento podrían anular la autoridad del usuario para operar el equipo!

Este dispositivo cumple con la Parte 15 de las normas de la FCC. La operación está sujeta a las dos condiciones siguientes:

- 1) Este producto puede causar interferencias perjudiciales.
- 2) Este producto debe aceptar cualquier interferencia recibida, incluidas las interferencias que puedan causar un funcionamiento no deseado.

**ADVERTENCIA:** Los cambios o modificaciones a este producto que no estén aprobados expresamente por la parte responsable del cumplimiento podrían anular la autoridad del usuario para operar el producto.

**Nota:** Este producto ha sido probado y cumple con los límites para un dispositivo digital Clase B de conformidad con la Parte 15 de las reglas de la FCC. Estos límites están diseñados para brindar una protección razonable contra interferencias dañinas en una instalación residencial.

Este producto genera, utiliza y puede irradiar energía de radiofrecuencia y, de no ser así, instalado y utilizado de acuerdo con las instrucciones, puede causar interferencias dañinas en las comunicaciones por radio. Sin embargo, no hay garantía de que no se produzcan interferencias en una instalación en particular. Si este producto causa interferencias dañinas en la recepción de radio o televisión, lo cual se puede determinar apagando y encendiendo el producto, se recomienda al usuario que intente corregir la interferencia

mediante una o más de las siguientes medidas.

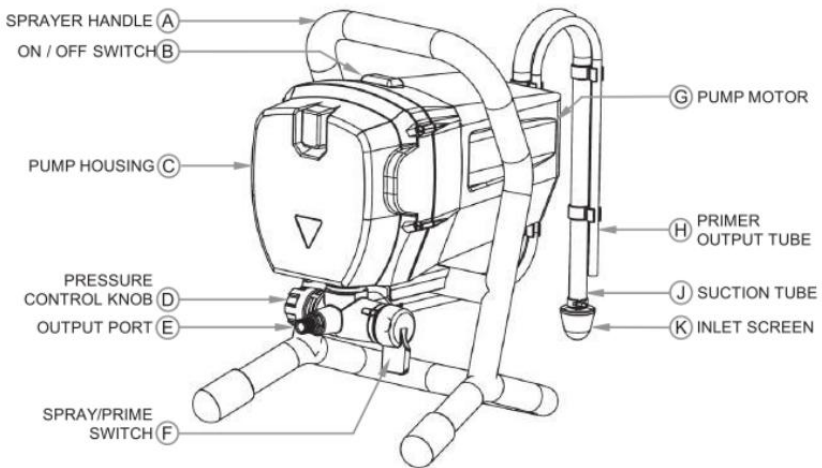
- Reorientar o reubicar la antena receptora.
- Aumentar la distancia entre el producto y el receptor.
- Conecte el producto a una toma de corriente de un circuito diferente al que está conectado el receptor.
- Consulte al distribuidor o a un técnico experimentado en radio/TV para obtener ayuda.

### ESPECIFICACIONES

Items	Description	RP8626	RP8626 PLUS
1	Rated Voltage:	120VAC 60Hz ( For US user)	120VAC 60Hz ( For US user)
2	Rated Voltage:	230VAC 50Hz ( For Europe user)	230VAC 50Hz ( For Europe user)
3	Rated Power:	750 W	750 W
4	Maximum Working Pressure (MWP):	3000 PSI	3000 PSI
5	Maximum Delivery:	1.2 LPM	1.2 LPM
6	Work Environment Temperature:	5° C - 40° C / 40° F - 105° F	5° C - 40° C / 40° F - 105° F
7	Standard Nozzle:	517	517
8	Transportation and Storage Temperature:	-13° F-131° F (-25° C-55° C)	-13° F-131° F (-25° C-55° C)
9	Hose Length:	7.6 m / 25 ft	7.6 m / 25 ft
10	Paint Outlet Connector Size	1/4" -18 NPSM	1/4" -18 NPSM
11	G. W. :	9.8kg	12.3kg

## CARACTERÍSTICAS IDENTIFICACIÓN

### PULVERIZADOR RP8626:

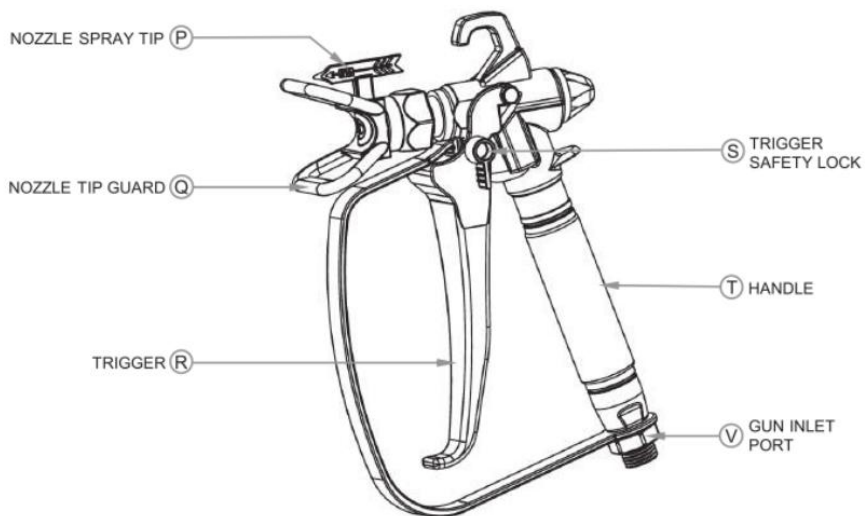


M HIGH PRESSURE PAINT HOSE



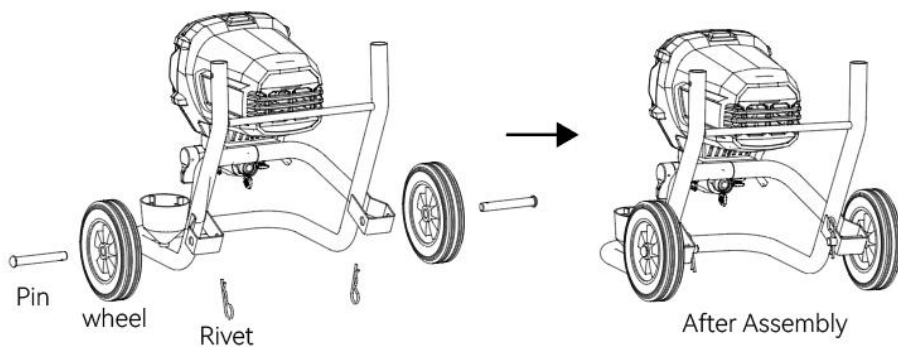
N FUNNEL

### PISTOLA PULVERIZADORA SIN AIRE RP8626 Y RP8626 PLUS

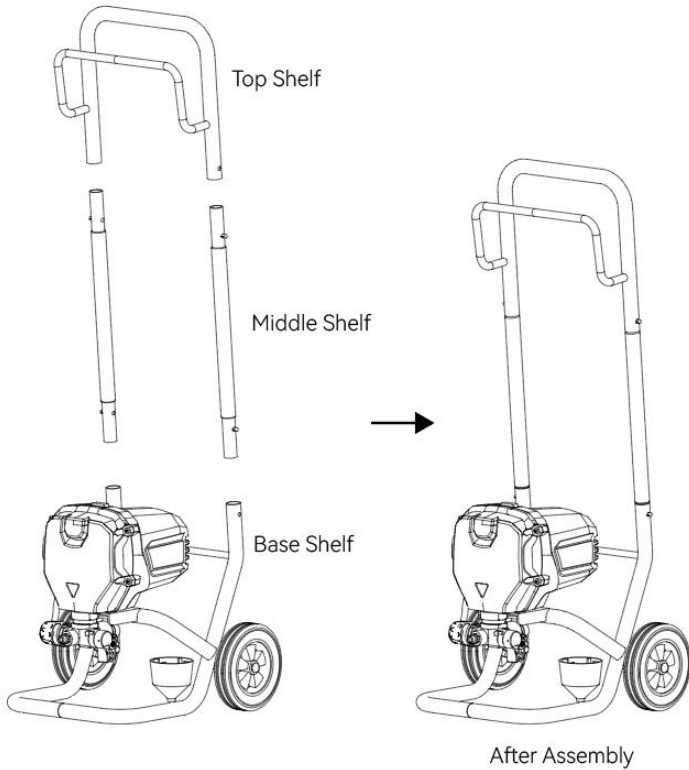


## 8626 MÁS

wheel installation







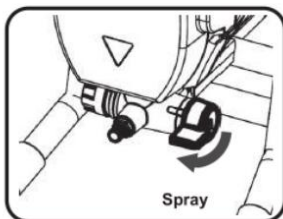
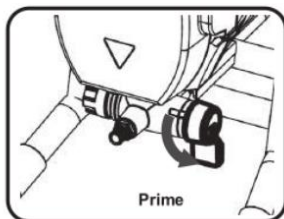
## OPERACIÓN

### AVISO:

LIMPIAR DESPUÉS DEL USO PARA EVITAR DAÑOS PERMANENTES AL PULVERIZADOR. NO SE ACEPTAN DEVOLUCIONES Y LA GARANTÍA SE ANULA SI EL PULVERIZADOR NO SE LIMPIA ADECUADAMENTE INMEDIATAMENTE DESPUÉS DE CADA USO.

### Interruptor de cebado/pulverización

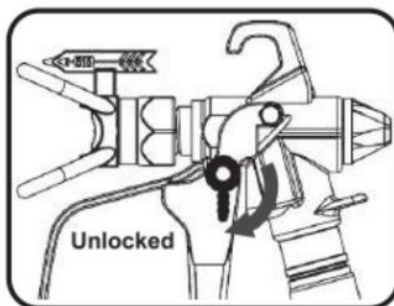
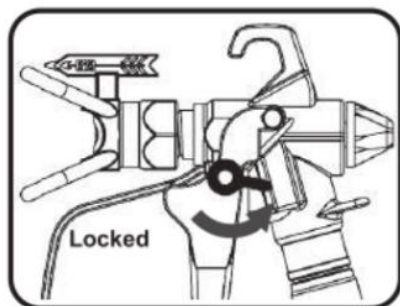
El interruptor de cebado/pulverización (F) alterna la unidad entre modo de cebado y la pulverización modo.



### **Bloqueo del gatillo**

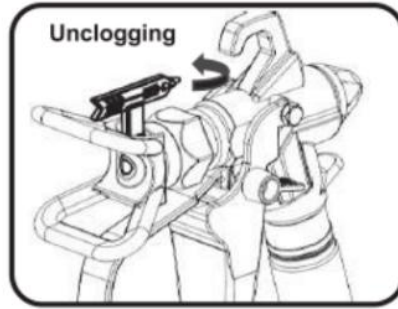
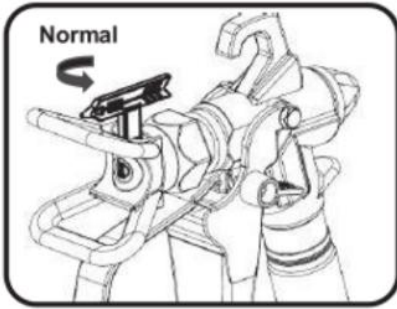
El bloqueo del gatillo (S) evita que el desencadenante de ser accidentalmente accionado, como cuando el arma está abandonó.

**SIEMPRE ACCIONE EL BLOQUEO DEL GATILLO CUANDO LA PISTOLA PULVERIZADORA NO ESTÉ EN USO.**



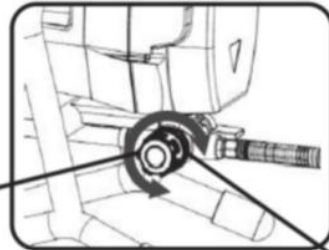
### **Punta de pulverización de boquilla**

La punta de pulverización de la boquilla (P) es extraíble y reversible para hacer limpieza y desobstrucción más fácil. El funcionamiento normal es con la flecha apuntando hacia afuera y lejos de el arma. Desobstruir la boquilla es Esto se hace girando la boquilla rociadora. Inclínelo para que la flecha apunte hacia adentro, hacia el arma.



### Perilla de control de presión

La perilla de control de presión (D) ajusta la presión de la pintura. salida en el puerto de salida (E). Al girar la perilla completamente hacia la derecha (en el sentido de las agujas del reloj), se ajusta la salida de pintura a la presión máxima. para pulverización a alta presión. Girar la perilla completamente hacia la izquierda (en el sentido contrario a las agujas del reloj) reducirá la salida de pintura al mínimo. presión. Alinee el indicador de la perilla de control de presión con la función deseada como se muestra en la etiqueta (que se muestra a continuación)



High Pressure Spray

Low Pressure Spray

Prime/Clean

Roller

### PROCEDIMIENTO DE ALIVIO DE PRESIÓN

**! WARNING**



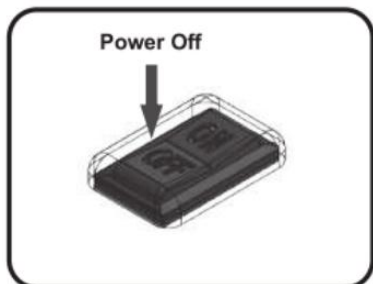
SIEMPRE LIBERE LA PRESIÓN CUANDO SE COMPLETE LA

PULVERIZACIÓN Y ANTES DE LIMPIAR, REPARAR O TRANSPORTAR.

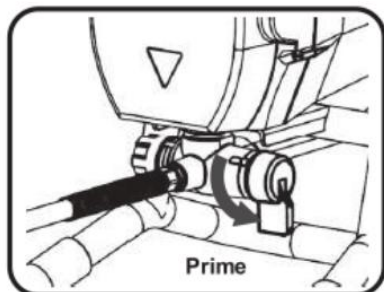


RIESGO DE INYECCIÓN EN LA PIEL. NO APUNTE LA PISTOLA NI ROCÍE A NINGUNA PERSONA O ANIMAL. NO LO COLOQUE DELANTE DE LA BOQUILLA DE PULVERIZACIÓN.

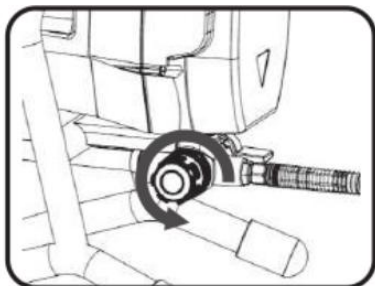
1. Coloque el interruptor ON/OFF (B) en la posición OFF posición y desenchufe el cable de alimentación.



4. Gire el interruptor Prime/Spray a la posición PRIME. posición.



3. Ajuste la perilla de control de presión (D) al ajuste de presión más bajo (ROLLO).

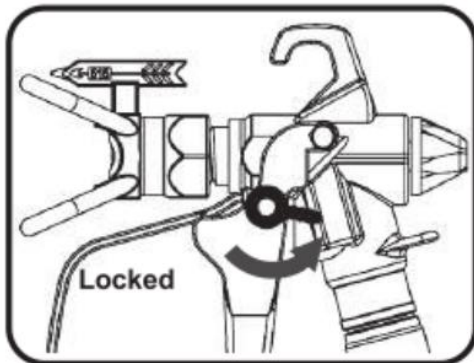


4. Cuando utilice un cubo para residuos o disolventes, asegúrese de que es metálico y está debidamente conectado a tierra. Sujete un extremo de un cable a tierra al cubo y el otro extremo a un tierra adecuada, como una tubería de agua metálica.

5. Apunte la pistola rociadora hacia el desagüe conectado a tierra o cubo de disolvente mientras sostiene cualquier parte metálica del rocío la pistola firmemente al costado del cubo para mantener continuidad a tierra de la pistola y el cubo, luego opere Presione el gatillo varias veces hasta que la presión dentro del la manguera ha sido aliviada



7. Enganche el bloqueo del gatillo después de que se haya eliminado la presión. aliviado.



7. Deje el interruptor Prime/Spray en la posición Prime. hasta que esté listo para rociar nuevamente.

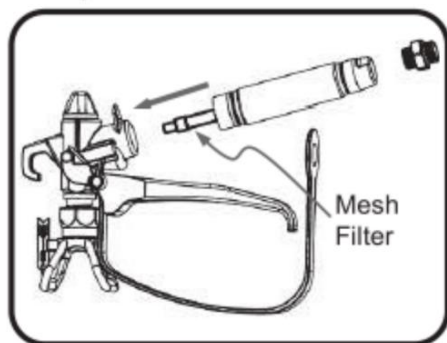
8. Si sospecha que la boquilla rociadora o la manguera están obstruidas o que la presión no se ha aliviado completamente después siguiendo estos pasos,

CUIDADOSAMENTE Y LENTAMENTE afloje la tuerca de retención del protector de punta o el extremo de la manguera acoplamiento para aliviar la presión gradualmente, luego afloje completamente antes de intentar borrar cualquier obstrucción.

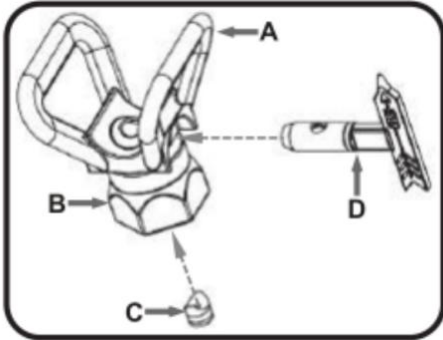
## CONFIGURACIÓN

Los elementos entre paréntesis ( ) se refieren a la característica dibujo de identificación del apartado anterior.

Nota: La pistola rociadora viene ensamblada desde el fábrica. Si el arma ha sido desmontada para limpiar Siga los pasos a continuación para volver a ensamblar.



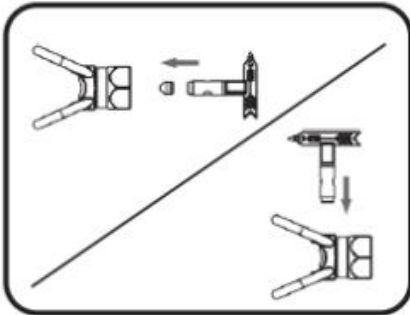
7. Inserte el filtro de malla en el mango (T) y alinee el mango con el cuerpo superior de la pistola pulverizadora.
8. Mientras sostiene el cuerpo superior de la pistola rociadora, apriete la manija (T) con una llave.
9. Coloque el protector del mango sobre el orificio del parte inferior del mango, luego asegúrelo en su lugar usando el adaptador del puerto de entrada (V) de la manguera y dos llaves.



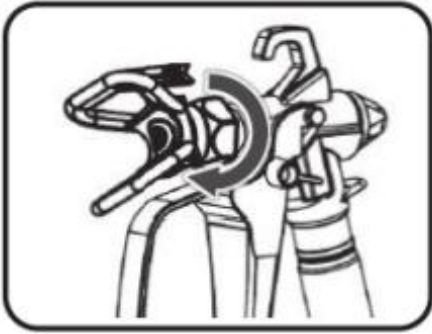
10. La punta y el protector del arma consisten en lo siguiente componentes:

- A. Protector de la punta de la boquilla
- B. Tuerca de retención del protector de la punta de la boquilla
- C. Asiento de metal con junta de goma
- D. Punta de pulverización de la boquilla

11. Utilice la punta de pulverización de la boquilla para instalar el asiento metálico con junta de goma en el protector de la punta de la boquilla.

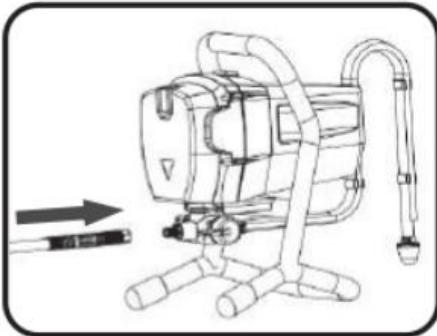


12. Instale la punta de pulverización de la boquilla en la punta de la boquilla Guardia.



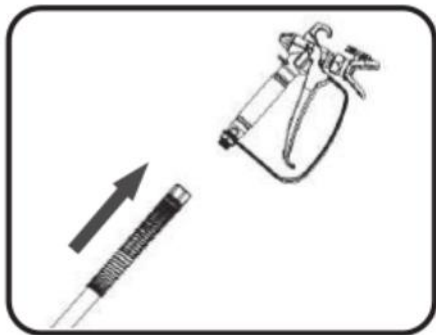
7. Enrosque la tuerca de retención del protector de la punta de la boquilla en la parte delantera del cuerpo superior de la pistola pulverizadora y apriete con una llave.

8. Con la unidad desenchufada, desenrolle y conecte el Manguera de pintura de alta presión (M) al puerto de salida (E). Utilice una llave para apretar correctamente el racor.

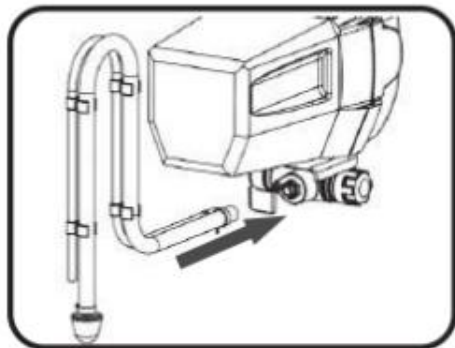


10. Conecte el otro extremo de la pintura de alta presión. Manguera (M) al puerto de entrada de la pistola (V) en el pulverizador. Mango de pistola (T). Utilice un par de llaves para apretar correctamente el racor

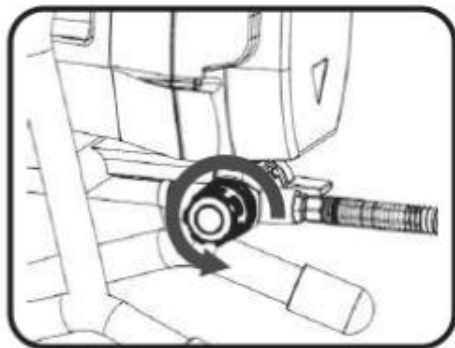




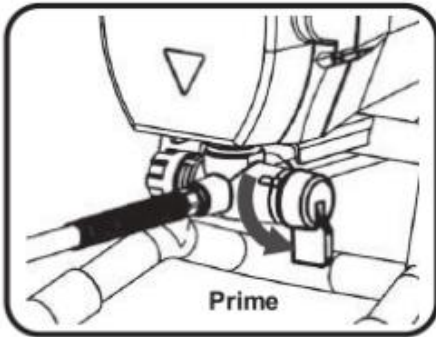
10. Conecte el tubo de succión (J) y la salida del cebador tubo (H) a la parte posterior de la carcasa de la válvula, luego instale la rejilla de entrada (K). Asegúrelo en su lugar usando las abrazaderas de manguera suministradas.



11. Coloque la perilla de control de presión (D) en la posición Posición de cebado/limpieza.



1 2 . Coloque el interruptor de pulverización/cebado (F) en la posición de cebado.  
Posición.



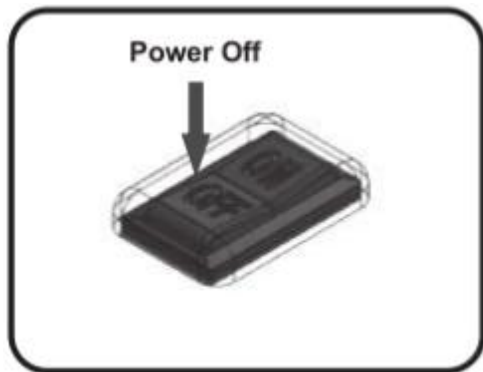
### **CEBAR Y ENJUAGAR**

Antes de cada uso, se debe cegar y enjuagar el pulverizador para eliminar el líquido de almacenamiento del pulverizador. Siga estas pautas al cegar y lavar:

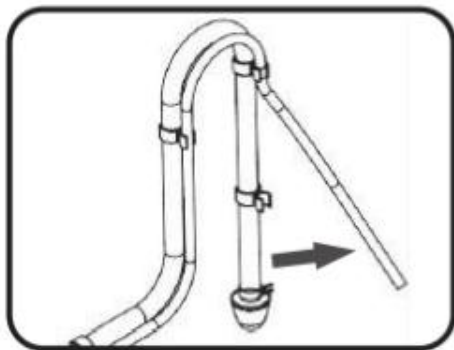
- Use agua para enjuagar completamente el sistema si va a rociar materiales a base de agua.
- Utilice un solvente de lavado a base de aceite compatible o alcoholes minerales para lavar completamente el sistema si va a rociar materiales a base de aceite.
- Si cambia de una pulverización a base de aceite a una pulverización a base de agua, primero enjuague bien el sistema con agua. El agua que sale del tubo de salida del cebador (H) debe estar clara y libre de solventes antes de comenzar a rociar el material a base de agua. Si cambia de un rociador a base de agua a un rociador a base de aceite, primero enjuague bien el sistema con un solvente de lavado a base de aceite compatible o alcoholes minerales. El disolvente que fluye desde el tubo de salida del cebador (H) no debe contener agua.
- Utilice siempre un recipiente metálico para residuos o disolventes conectado a tierra.
- Consulte la sección Seguridad eléctrica.
- Apunte siempre la pistola a la pared interior del cubo de residuos o disolvente para evitar que el líquido le salpique la piel o los ojos.

3. Coloque el interruptor de encendido/apagado (B) en la posición APAGADO.

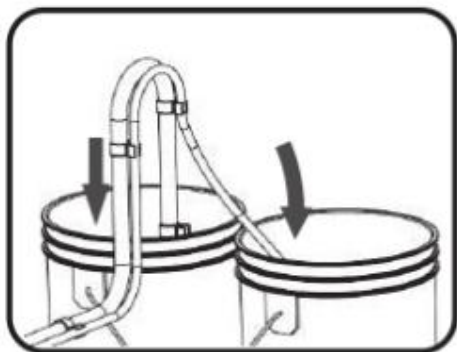
posición y desenchufe el pulverizador.



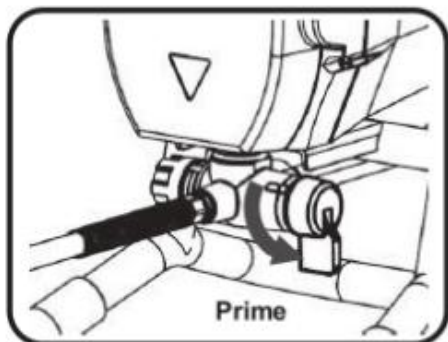
4. Separe el tubo de salida del cebador (H) de el Tubo de succión (J).



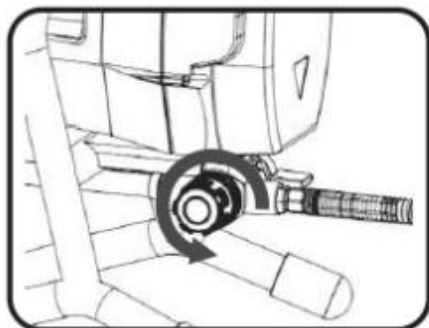
3. Coloque el tubo de salida del cebador (H) en un cubo de desechos/disolvente conectado a tierra e inserte el tubo de succión (J) con rejilla de entrada (K) en un cubo que contenga agua o disolvente de lavado (determinado por las pautas analizadas anteriormente).



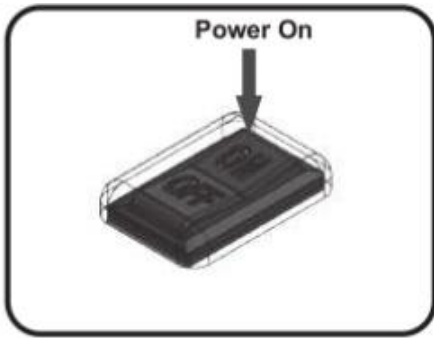
4. Verifique que el interruptor de pulverización/cebado (F) esté en la posición Posición privilegiada.



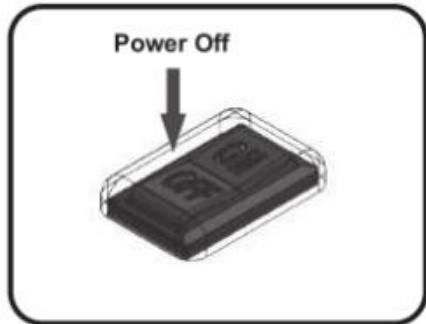
5 . Coloque la perilla de control de presión (D) en la posición Posición de cebado/limpieza.



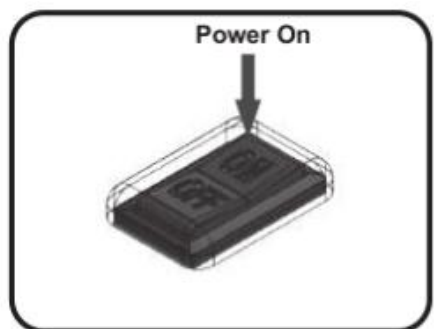
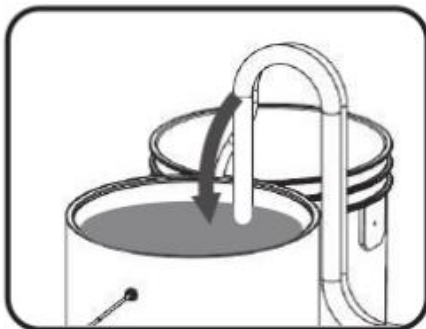
6 . Conecte el pulverizador a un tomacorriente con conexión a tierra y enciéndalo. Coloque el interruptor de encendido/apagado (B) en la posición ON.



7. El pulverizador comenzará a bombear agua o a enjuagar. solvente. El aire y el aceite de almacenamiento se purgarán del sistema. Permitir que los fluidos sigan siendo descargado del tubo de salida del cebador (H) durante 30 a 60 segundos, luego encienda/apague la alimentación Cambie (B) a la posición APAGADO.



8. Retire el tubo de succión (J) y la rejilla de entrada (K) del cubo que contiene agua o solvente de lavado (paso 3) e insértelos en el recipiente que contiene la pintura que usarás.

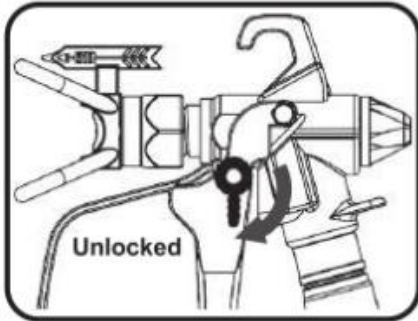


9. Encienda el interruptor de encendido/apagado (B).

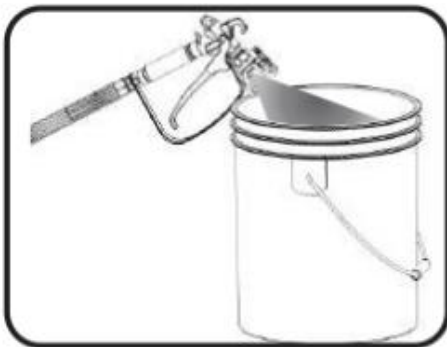
10. La pintura comenzará a bombearse a través de la succión. Tubo (J) y comenzará a descargarse por el tubo de salida del cebador (H) y dentro del cubo de desechos/solventes.

11. Sostenga la pistola rociadora apuntando hacia y contra el cubo de residuos/solvente.

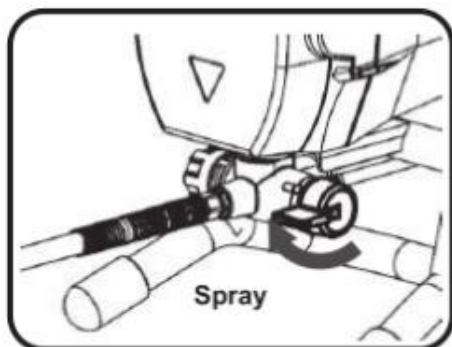
12. Desbloquee el bloqueo del gatillo.



14. Tire y mantenga presionado el gatillo.

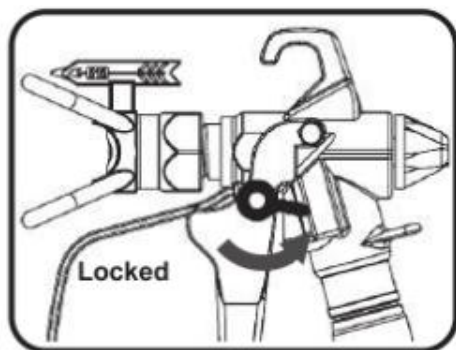


14. Gire el interruptor de pulverización/cebado (F) a la posición de pulverización. posición.

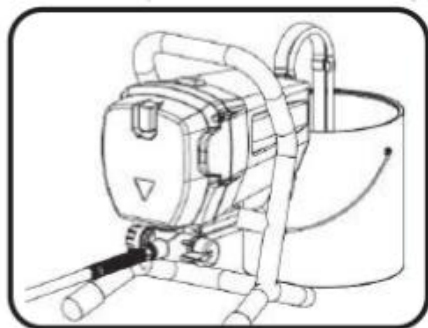


15. Continúe presionando el gatillo mientras apunta el arma. en el cubo de desechos/solvente hasta que solo quede pintura. saliendo del arma.

16. Suelte el gatillo y active el bloqueo del gatillo.



18. Mueva el tubo de salida de imprimación (H) hacia la pintura. recipiente y sujételo al tubo de succión (J).

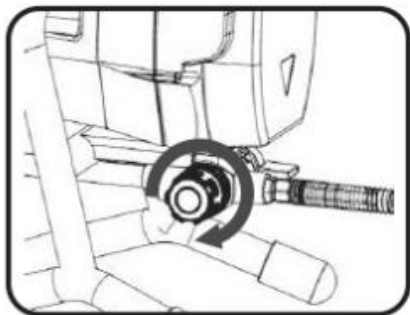


AVISO: El motor se detendrá, lo que indica que la bomba y la manguera están imprimadas con pintura y bajo presión. Si \_ el motor sigue funcionando, el pulverizador no

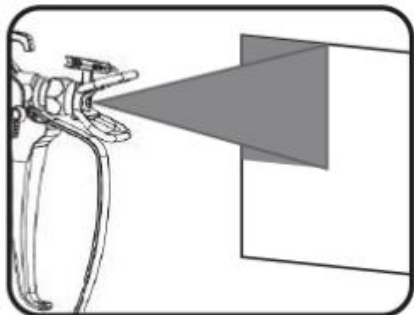
Correctamente preparado. Para volver a cebar, gire el interruptor de pulverización/cebado (F) a la posición Cebado y repita todos los pasos desde el principio. en el Paso 9.

### **CUADRO**

6. Coloque la perilla de control de presión (D) en una presión media-alta.



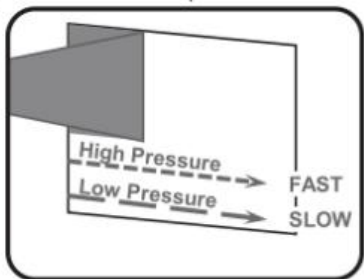
7. Pruebe este ajuste de presión en un trozo de material.



8. Ajuste la perilla de control de presión (D) hasta que consistencia suave y uniforme se consigue.

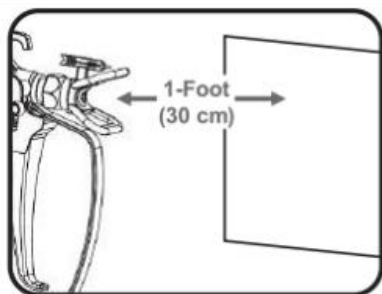
9. Sobre un trozo de material de desecho, rocíe una muestra parche y evalúa la velocidad del golpe requerido para el ajuste de presión. Una presión más baja Requiere una velocidad más lenta y una presión más alta requieren una velocidad de carrera más rápida.



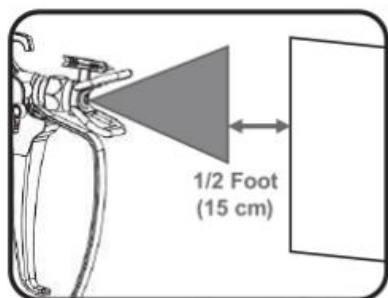


NOTA: La calidad de la superficie que se está pintando dependerá Tiene un gran efecto en el resultado de la pulverización. La superficie que se va a pintar debe prepararse adecuadamente antes comenzando a rociar.

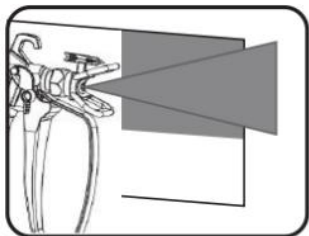
## **TÉCNICA DE PULVERIZACIÓN**



2. Mantenga una distancia de aproximadamente 1 pie (30 cm) la superficie a pulverizar.

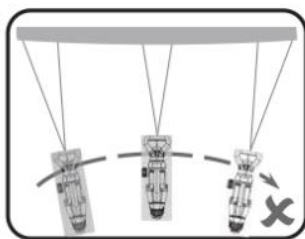
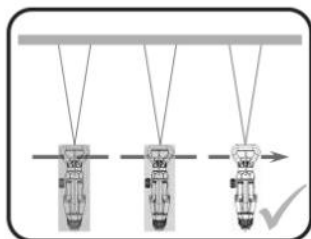


2. Inicie el movimiento del trazo antes de apretar el gatillo y comience aproximadamente a % de pie (15 cm) de distancia del borde del área que se está rociando.

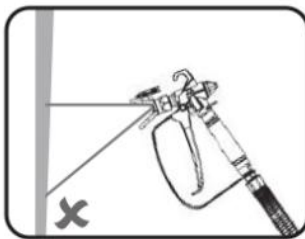
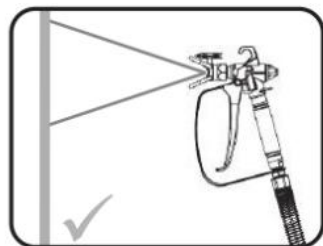


3. Suelte el gatillo una vez que haya pasado el borde opuesto de la superficie que se está rociando.

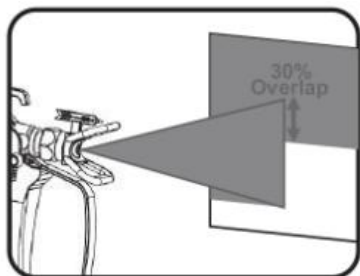
4. Mover la pistola con todo el brazo sin flexionar su muñeca para asegurar un patrón de pulverización uniforme.



10. Mantenga la pistola rociadora en ángulo recto con respecto a la superficie, siendo pintado.



6. Superponga cada trazo en un 30 % para garantizar una cobertura uniforme.

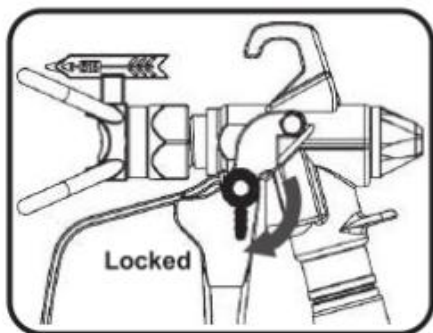


### Otros consejos útiles

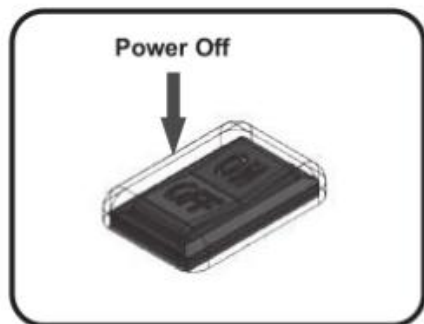
- Pulverizar al aire libre en un día ventoso puede provocar malos resultados. Espere hasta que no haya viento y el tiempo es satisfactorio.
- Aplicar una capa a la vez y dejar secar. completamente antes de agregar otra capa.
- Evite parar y arrancar, lo que resultaría en un acabado irregular. Comience en un borde de una superficie y termine justo después del borde opuesto. Evite detenerse en el centro de una superficie, lo que puede resultar en un acabado desigual .

### **DESOBSTRUCCIÓN DE LA PUNTA DE PULVERIZACIÓN**

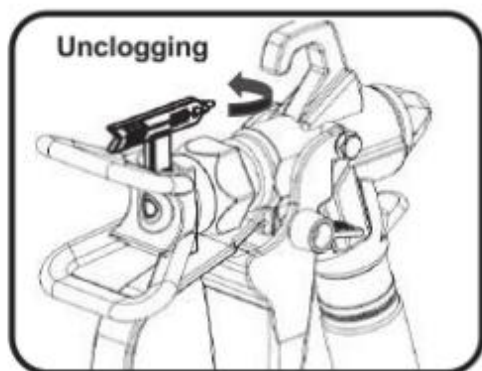
- La punta de pulverización de la boquilla (P) ocasionalmente puede volverse obstruido con pintura. Siga estas instrucciones para borrar un Punta de pulverización de boquilla obstruida:
  1. Suelte el gatillo y active el bloqueo del gatillo ( S ).



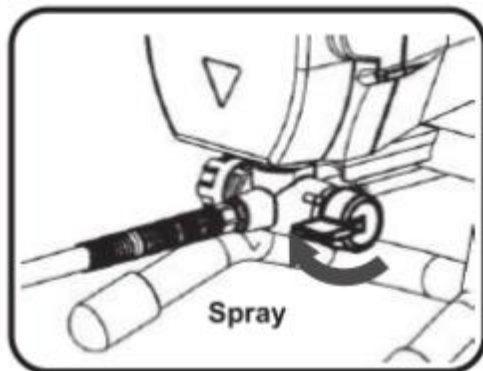
2. Coloque el interruptor ON/OFF (B) en la posición OFF posición y desenchufe el cable de alimentación.



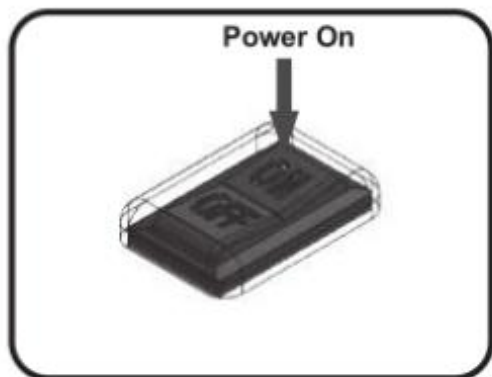
3. Gire la punta de pulverización de la boquilla (P) de modo que la flecha apunte hacia la parte trasera de la pistola.



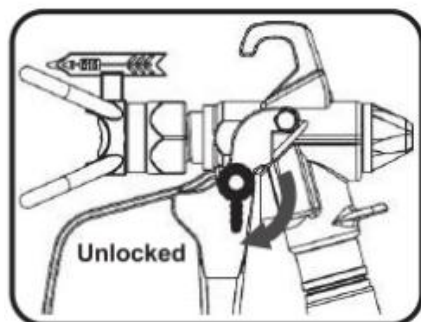
4. Gire el interruptor de pulverización/cebado (F) a la posición de pulverización.



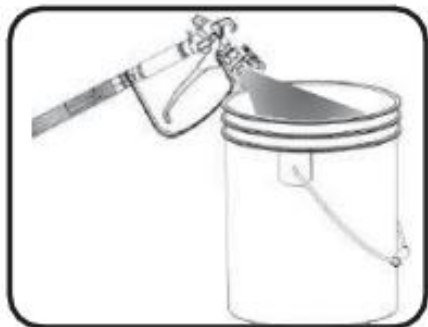
5. Coloque el interruptor de encendido/apagado (B) en la posición ON.



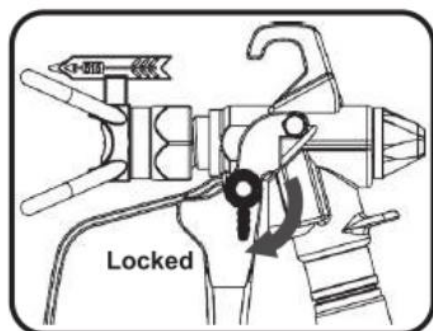
6. Desactive el bloqueo del gatillo (S).



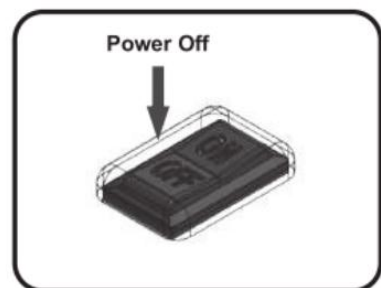
7. Apunte la pistola rociadora hacia un cubo de desechos o solvente conectado a tierra mientras sostiene firmemente cualquier parte metálica de la pistola rociadora hacia el costado del cubo para mantener la continuidad a tierra de la pistola y el cubo, luego accione el gatillo varias veces para eliminar la obstrucción.



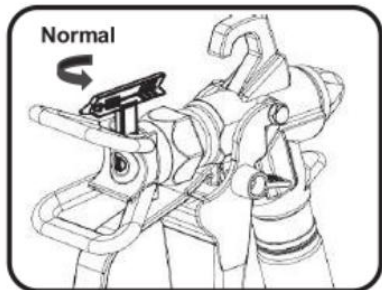
8. Suelte el gatillo y active los bloqueos del gatillo.



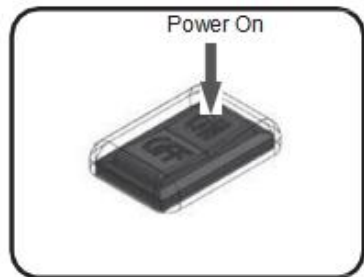
9. Coloque el interruptor de ENCENDIDO/APAGADO (B) en la posición APAGADO y desenchufe el cable de alimentación.



10. Gire la punta de pulverización de la boquilla (P) de modo que la flecha apunte hacia el frente de la pistola.



11. Coloque el interruptor de encendido/apagado (B) en la posición ON.



## **LIMPIEZA**

### **AVISO**

**LIMPIO DESPUÉS USAR A PREVENIR PERMANENTE DAÑO A EL PULVERIZADOR.**

**DEVOLUCIONES NO ACEPTADO Y GARANTÍA VACÍO SI PULVERIZADOR ES NO SE LIMPIA ADECUADAMENTE INMEDIATAMENTE DESPUÉS DE CADA USO.**

### **UTILICE EL LÍQUIDO DE LIMPIEZA CORRECTO**

Si el pintura siendo usado era agua basado (acrílico pintar), usar SOLO AGUA cuando ejecutando el limpieza procedimiento.

NOTA• USO DE BASE SOLVENTE FLUIDO DE LIMPIEZA EN BASADO EN AGUA PINTURAS VOLUNTAD RESULTADO EN A SUSTANCIA ESO VOLUNTAD SER EXTREMADAMENTE DIFÍCIL A LIMPIO.

Si el pintar o revestimiento material ser usado era basado en aceite (esmalte pintar, laca, etc.), consulte el revestimiento materiales etiqueta o MSDS a determinar qué solvente a usar. Estos Base de solvente limpieza fluidos son seguros de usar en el

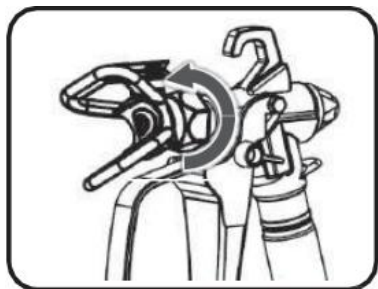
sin aire pulverizador:

- Minerales Trementina
- Pintar Más delgada

## **LIMPIEZA DEL PULVERIZADOR**

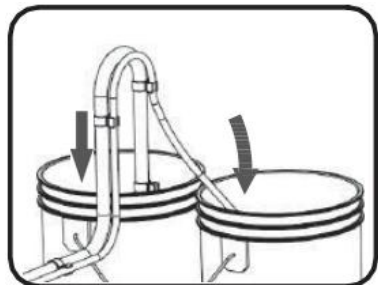
1. Comience a limpiar el pulverizador INMEDIATAMENTE después de su uso siguiendo el PROCEDIMIENTO DE ALIVIO DE PRESIÓN en 9.

2. Utilice una llave para quitar el protector de la punta de la boquilla (Q) y la punta de pulverización de la boquilla (P) de la pistola y colóquelos en el líquido de limpieza.



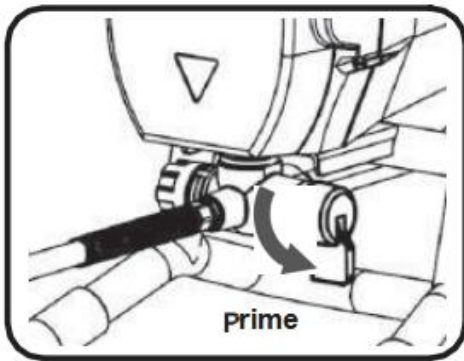
3. Separe el tubo de salida del cebador (H) del tubo de succión (J). Coloque el tubo de salida del cebador

(H) en un cubo de desechos y el tubo de succión con rejilla de entrada (K) en un cubo que contenga agua o solvente de lavado (lea la sección titulada USE EL LÍQUIDO DE LIMPIEZA CORRECTO discutido anteriormente) .

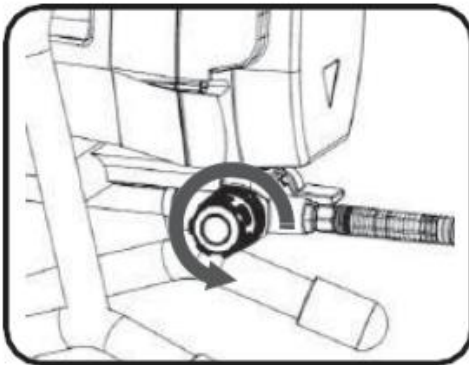


4. Verifique que el interruptor de pulverización/cebado (F) esté en la posición de cebado.

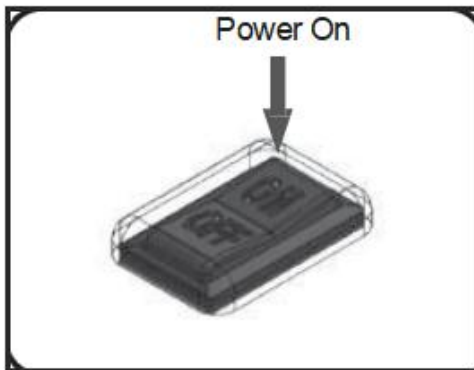




5. Coloque la perilla de control de presión (D) en la posición Cebiar/Limpiar.

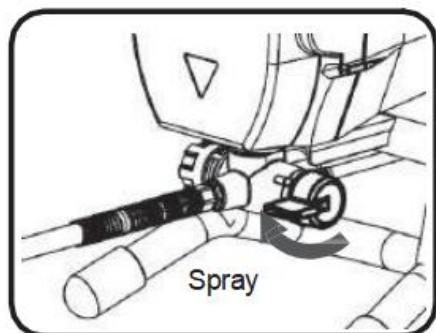


6. Coloque el interruptor de encendido/apagado (B) en la posición ON.



7. Una vez que fluya un flujo constante de líquido de limpieza desde el tubo de

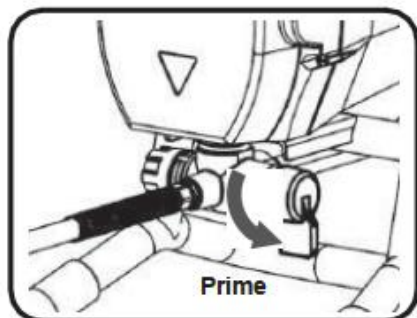
salida de cebador (H), gire el interruptor de pulverización/cebado (F) a la posición de pulverización.



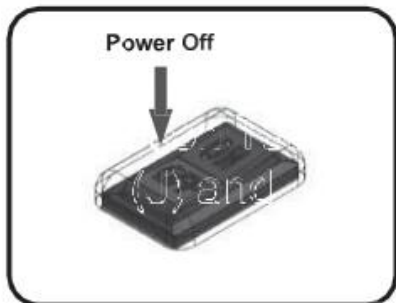
8. Apunte la pistola rociadora hacia el cubo de desechos mientras sostiene firmemente cualquier parte metálica de la pistola rociadora hacia el costado del cubo para mantener la continuidad a tierra de la pistola y el cubo, luego accione el gatillo hasta que el único fluido que salga de la pistola sea líquido de limpieza. .



9. Cambie el interruptor de pulverización/cebado (F) a la posición de cebado, luego repita los pasos 7 y 8 hasta que solo salga líquido de limpieza del pulverizador.



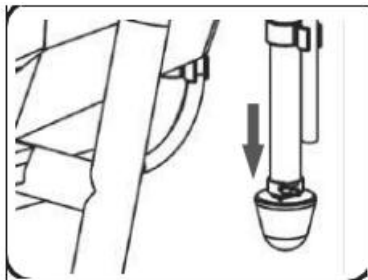
10. Coloque el interruptor de ENCENDIDO/APAGADO (B) en la posición APAGADO y desenchufe el cable de alimentación.



### **LIMPIEZA DE LA MANGUERA DE ENTRADA**

2. Retire la pantalla (K) del tubo de succión (J) aflojando la abrazadera de la manguera y alejándola del filtro.

2. Saque la rejilla de entrada (K) y enjuáguela con el líquido de limpieza adecuado.

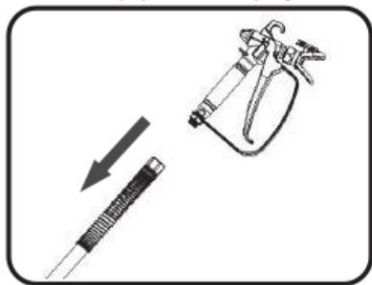


3. Si la rejilla de entrada (K) no se puede limpiar, reemplácela con una rejilla de entrada nueva.

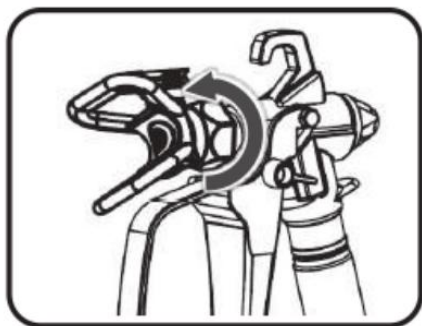
### **LIMPIEZA DE LA PISTOLA PULVERIZADORA**

1. Siga el PROCEDIMIENTO DE ALIVIO DE PRESIÓN en 9.

2. Utilice un par de llaves y retire la manguera de alta presión (M) de la pistola pulverizadora.

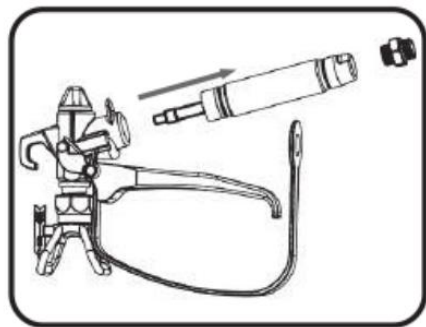


3. Utilice una llave para retirar el protector de la punta de la boquilla (Q) y la punta de pulverización de la boquilla (P) de la pistola y colóquelos en el líquido de limpieza.



4. Utilice un par de llaves y retire el puerto de entrada (V) de la pistola.

5. Retire el protector del mango y use una llave para quitar el mango (T) de la parte superior del cuerpo de la pistola rociadora.



6. Retire el filtro de malla del interior del mango (T) y colóquelo en el líquido de limpieza.

7. Utilice un cepillo suave para limpiar todos los componentes del líquido de

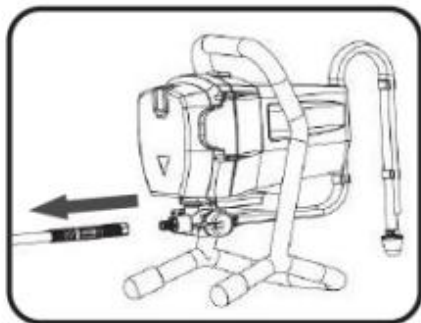
limpieza.

8. Una vez completada la limpieza, vuelva a montar la pistola rociadora.

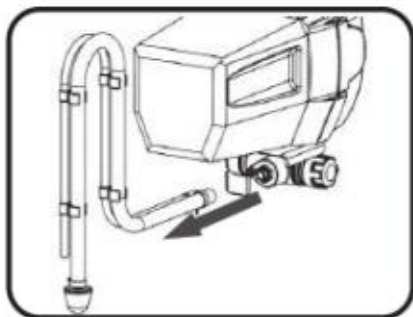
## **ALMACENAMIENTO DEL PULVERIZADOR**

Es muy importante que el pulverizador NO se almacene con agua o materiales a base de agua dentro de la bomba, manguera, tubos o pistola pulverizadora. El agua que quede dentro de estos artículos provocará corrosión y los dañará. Siga estos procedimientos para almacenar el pulverizador.

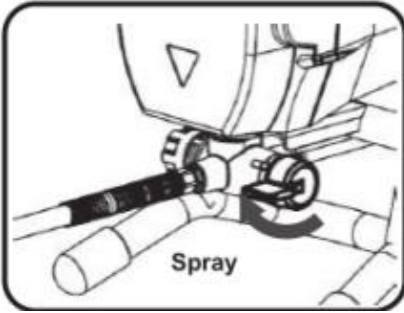
5. Antes de guardar el pulverizador, siga los pasos para limpiar el pulverizador y la pistola pulverizadora.



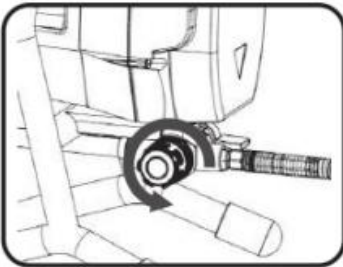
6. Retire la manguera de alta presión del pulverizador.



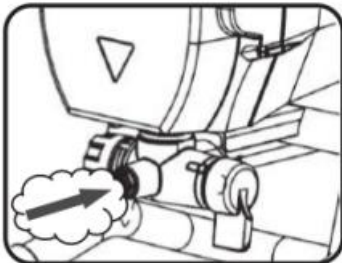
7. Retire el tubo de salida del cebador (H) y el tubo de succión (J) con la rejilla de entrada (K) de la bomba.



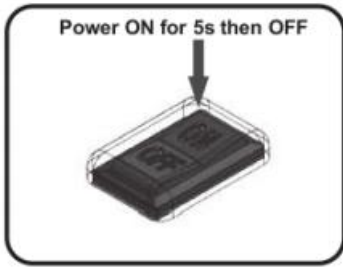
8. Con el pulverizador volteado, agregue una onza (30 ml) de aceite ligero multiuso para máquinas, como aceite para máquinas de coser o aceite ISO 22, tanto al tubo de succión (J) como al tubo de salida del cebador (H).
5. Coloque el interruptor de pulverización/cebado (F) en la posición de pulverización.
6. Coloque la perilla de control de presión (D) en la posición de pulverización baja.



7. Utilice un trapo para cubrir el puerto de salida (E).



8. Coloque el interruptor de encendido/apagado (B) en la posición ON durante CINCO SEGUNDOS, luego gire el interruptor de encendido/apagado (B) a la posición APAGADO.

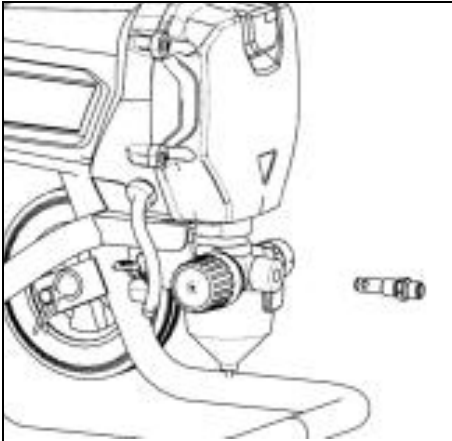


9. Coloque el interruptor de pulverización/cebado (F) en la posición de cebado para garantizar que el aceite permanezca en el sistema mientras se almacena.
10. Vuelva a colocar el tubo de salida del cebador (H) y el tubo de succión (J) en la bomba.
11. Limpie el pulverizador con un paño limpio y guárdelo fuera del alcance de los niños.

### **Consejos de pulverización**

Limpie siempre las puntas con líquido de limpieza compatible y cepille después fumigación. Es posible que sea necesario reemplazar las puntas después de 15 galones (57 litros) o pueden durar hasta 60 galones (227 litros), dependiendo de la abrasividad de la pintura.

Lista de piezas de repuesto

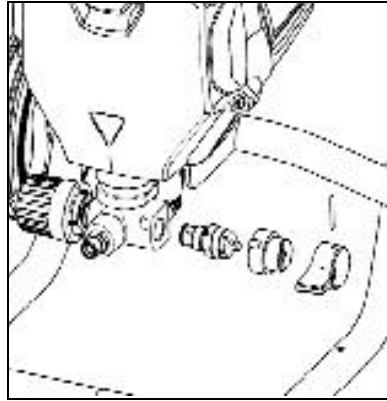
ARTÍCULO	Parte	Cómo multar las piezas
1	Conjunto de válvula de descarga 	Utilice una llave para desenroscar el conjunto de la válvula de descarga. 

2

Conjunto de  
válvula de alivio



Saque el pasador cilíndrico, retire la perilla del interruptor y el asiento del interruptor y luego use una llave ajustable para desenroscar el conjunto de la válvula de alivio de presión.

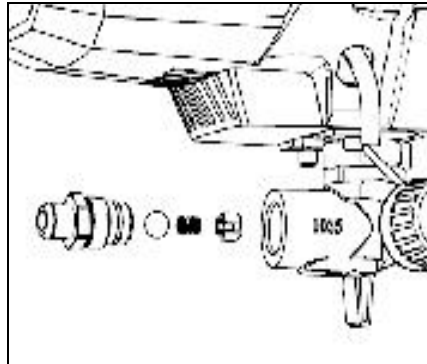


3

Conjunto de  
válvula de  
alimentación



Retire el conjunto del tubo de alimentación conectado, luego desenrosque el tapón del tornillo de alimentación con la llave ajustable y extraiga la bola de acero de la válvula de alimentación, el resorte de alimentación y el asiento del resorte de alimentación.





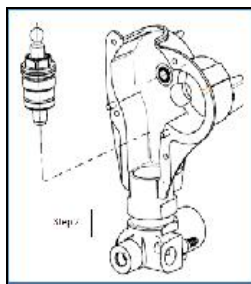
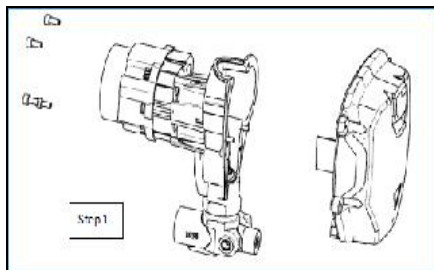
4

Conjunto de  
émbolo



1. Utilice la llave hexagonal en el lado opuesto 5 para desatornillar los 4 tornillos hexagonales para separar el cuerpo de la bomba y la cubierta de la bomba.

2. Utilice el manguito de extensión del lado opuesto 22 para retirar el conjunto del émbolo.



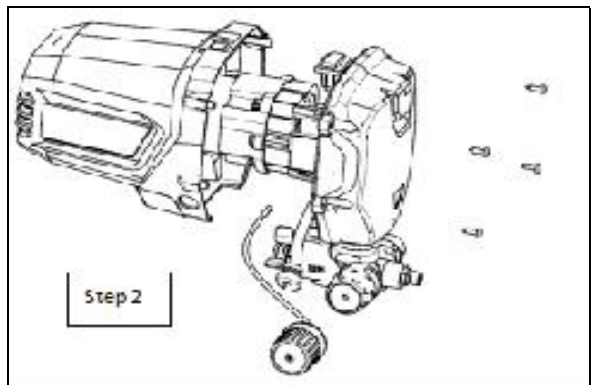
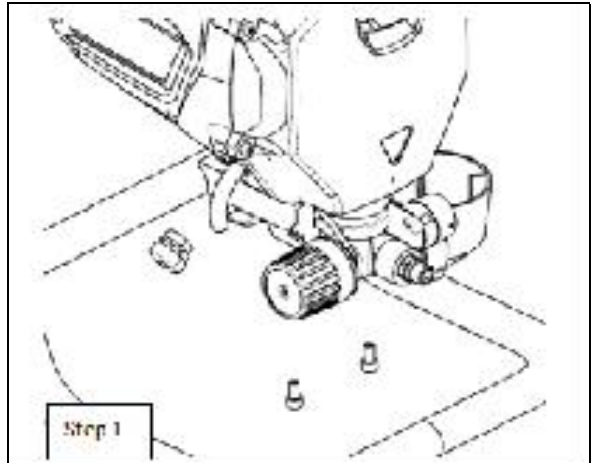
5

Conjunto de válvula de alivio de presión



2. Retire el cable de alimentación sin tirar de él, desatornille los dos tornillos en la parte inferior y retire el cabezal de la bomba del marco.

2.Desatornille los cuatro tornillos autorroscantes de la tapa de la bomba y separe la carcasa trasera y la tapa de la bomba. Desenchufe el cable de la válvula reguladora de presión. Gire la válvula reguladora de presión en sentido antihorario para exponer la superficie de la bayoneta y use una llave ajustable para desenroscar el conjunto de la válvula de alivio de presión.



## **Compatibilidad de materiales : materiales y pinturas que se pueden utilizar**

**MATERIAL A BASE DE AGUA:** Todos los pulverizadores PUEDEN usarse con materiales interiores y exteriores a base de agua. Antes de rociar materiales a base de agua, enjuague su rociador con agua.

Ejemplo: laca para madera, látex, tintes...

**MATERIAL A BASE DE ACEITE:** Todos los pulverizadores PUEDEN usarse con materiales interiores y exteriores a base de aceite. La etiqueta del material indica COMBUSTIBLE y que se puede limpiar con alcoholes minerales o diluyente de pintura. Antes de rociar con materiales a base de aceite, enjuague su rociador con alcoholes minerales.

Ejemplo: acrílicos, pintura decorativa...

## **Compatibilidad de materiales : materiales y pinturas que no se pueden utilizar**

### **MATERIAL INFLAMABLE A BASE SOLVENTE**

**MATERIALES QUE SON DEMASIADO GRUESOS:** requieren un rociador de textura o sin aire comercial más grande

- Restauración de cubierta y concreto.
- Elastomérico
- Revestimiento del techo: sellador, pintura o imprimación
- Epoxi para hormigón o material de 1 o 2 componentes de secado rápido
- Material de dos componentes, como imprimación adhesiva, pintura para pisos de garaje.
- Sellador de caminos de entrada
- Material texturizado o relleno de arena
- Yeso
- Materiales que incluyen piedra caliza, vidrio, arcilla y cuarzo, como mampostería especial, estuco y pintura para ladrillos.
- Pintura metalizada
- Pintura o imprimación magnética

### **MATERIALES PELIGROSOS**

- Decapante de pintura y tintes

- Lejía o cualquier material que incluya lejía.
- Herbicida
- Insecticida o pesticida
- Desinfectante

## **REPARACIÓN DE MANTENIMIENTO**

### **MANTENIMIENTO DIARIO**

La vida útil del equipo está directamente relacionada con la calidad del mantenimiento. Siga estas pautas para garantizar una larga vida útil del equipo. Siga siempre el procedimiento de limpieza inmediatamente después de su uso. La pintura o el agua que quede en el equipo provocarán obstrucciones o corrosión que harán que la unidad deje de funcionar.

Utilice el Procedimiento de alivio de presión al apagar, ajustar, realizar mantenimiento o reparar.

Asegúrese de que usted u otro operador hayan leído y comprendido este manual antes de utilizar el equipo.

Enrolle la manguera de alta presión después de la limpieza para evitar daños. Agregue periódicamente al rociador aceite ligero para máquinas de usos múltiples, como aceite para máquinas de coser o aceite ISO 22, como se describe en la sección titulada Almacenamiento del rociador, si se almacenará por un período prolongado.

### **REPARAR**

- Haga que un técnico calificado realice el mantenimiento de su herramienta eléctrica utilizando únicamente piezas de repuesto idénticas. Esto garantizará que se mantenga la seguridad de la herramienta eléctrica.
- Mantenga todos los tornillos, tuercas, arandelas, juntas y accesorios eléctricos retirados durante la reparación. Por lo general, estas piezas no se suministran con kits de repuesto.
- Revise la sección titulada Solución de problemas para ayudar a identificar cualquier problema.
- No opere el pulverizador sin la cubierta del motor en su lugar. Reemplace si está dañado. La cubierta del motor dirige el aire de refrigeración alrededor del motor para evitar el sobrecalentamiento y aísla el tablero de control para evitar descargas accidentales.

## CAUTION

- Do not run the sprayer dry for more than 30 seconds. Doing so could damage the pump packing **seals**.
- Protect the internal drive parts of the sprayer from water. Openings in the cover allow for air cooling of both the mechanical parts and electronics. If water enters these openings, the sprayer may malfunction or be permanently damaged.
- Prevent corrosion or freezing of the pump to avoid damage. Fluids that freeze within the sprayer or High-Pressure hose will cause permanent damage. Always store the sprayer with a multi-purpose light machine oil such as sewing machine oil or ISO 22 oil added to the sprayer pump as described in the section titled Storing the Sprayer.

## SELECCIÓN DE PUNTAS DE PULVERIZACIÓN

Las puntas de pulverización están numeradas de modo que:

### SELECCIÓN DE PUNTAS DE PULVERIZACIÓN

- El primer dígito, cuando se multiplica por dos, da el ancho de pulverización en pulgadas (con la punta de pulverización a 1 pie (30 cm) de distancia de la superficie que se está pulverizando).
- Los dos últimos dígitos especifican el tamaño del orificio en miles de pulgadas (Nota: un orificio más grande aumenta el flujo de pintura).
- Los siguientes son tamaños de orificio de punta de pulverización recomendados para distintos tipos de material de recubrimiento: Laca y tinte: 0,007" — 0,013"  
Esmalte: 0,011" — 0,015" Acrílico: 0,015" — 0,021"

BOQUILLA ROCIAR CONSEJO SELECCIÓN CUADRO																	
Orificio Tamaño (Pulgadas)																	
Rociar Ancho (Pulgadas)		0,007"	0,009"	0,011"	0,013"	0,015"	0,017"	0,019"	0,021"	0,023"	0,025"	0,027"	0,029"	0,031"	0,033"	0,035"	
	2-4 _	107	109	111	113	115	117	119	121				129				
	4-6 _		209	211	213	215	217	219	221		225	227	229	231		235	
	6-8 _	307	309	311	313	315	317	319	321	323	325	327	329	331	333	335	
	8-10 _		409	411	413	415	417	419	421	423	425	427	429	431	433	435	
	10-12 _		509	511	513	515	517	519	521	523	525	527	529	531	533	535	
	12-14 _		609	611	613	615	617	619	621	623	625	627	629	631	633	635	
	14-16 _			711	713	715	717	719	721	723	725	727	729	731	733	735	
	16-18 _				813	815	817	819	821	823	825	827	829	831	833	835	
	18-20 _									923		927		931	933	935	

## SOLUCIÓN DE PROBLEMAS

Problema	Causa	Solución
Fuerza cambiar es en, y pulverizador	Presión Control Mando es colocar en presión cero.	Doblar Presión Control Mando agujas del reloj a aumentar el ajuste de presión.
es atascado en, pero motor	Motor o control es dañado.	Tener el pulverizador atendido por a calificado persona de mantenimiento.
hace no correr y bombear no realiza ciclos.	Eléctrico salida es no Proporcionar fuerza.	Pruebe un salida diferente o probar el salida con otro aparato o circuito ensayador. Reiniciar el circuito interruptor o Reemplace la fusible.
	Extensión cable es dañado.	Reemplazar el cable de extensión.
	Pulverizador eléctrico cable es dañado.	Desenchufar el cable del rociador y controlar para aislamiento roto o cables. Reemplazar si dañado.

	<p>Pintar y/o agua es congelado o se ha endurecido en la bomba.</p>	<p>Desenchufe el pulverizador del tomacorriente. Si congelado, no intente poner en marcha el pulverizador hasta él es completamente descongelado o el motor, tablero de control y/o tren motriz ser permanentemente dañado.</p> <p>Asegurar el fuerza cambiar es APAGADO, lugar el pulverizador en a cálido área para varios horas, entonces enchufar en el fuerza cable y ENCIENDA el pulverizador. Despacio aumentar presión configuración a ver si el motor voluntad comenzar.</p> <p>Si pintar tiene endurecido en el pulverizador, el bomba empaquetaduras, válvulas, transmisión, y/o el interruptor de presión necesitan ser reemplazado. Tener el pulverizador atendido por a persona de reparación calificada.</p>
Bomba no es principal.	<p>Pulverizar/imprimir Cambiar es en Rociar posición.</p>	<p>Doblar Interruptor de pulverización/cebado a Principal posición (señalando abajo)</p>
	<p>La pantalla de entrada está obstruida, o succión tubo es no inmerso.</p>	<p>Limpio escombros de entrada pantalla y hacer seguro el succión tubo es inmerso en líquido.</p>
	<p>Bomba era no preparado con agua o líquido de lavado a base de solvente.</p>	<p>Quitar succión tubo de pintar. Principal el bombee con el líquido de lavado correcto.</p>
	<p>Entrada válvula controlar pelota es atascado.</p>	<p>quitar la succión tubo y coloque un lápiz en el sección de entrada a desalojar el pelota, permitiendo el bomba a principal adecuadamente.</p>
	<p>Entrada válvula controlar pelota o asiento es sucio.</p>	<p>Eliminar entrada adecuado. Limpiar o Reemplace la bola y asiento.</p>

Salida controlar pelota o asiento es sucio.	Eliminar el salida adecuado. Limpio o reemplazar la pelota y el asiento.
Succión tubo es goteando.	Apretar el succión tubo conexión. Inspeccionar para grietas o vacío fugas.
fluidos son viscoso o pegajoso.	Alguno fluidos puede principal más rápido si el Fuerza El interruptor se apaga momentáneamente para que el bomba poder lento y detener. repetir varios veces si es necesario.

<b>Problema</b>	<b>Causa</b>	<b>Solución</b>
Bomba ciclos pero hace no construir arriba presión.	Bomba es no preparado.	Principal el bomba.
	Entrada pantalla es obstruido	Limpie los residuos de la rejilla de entrada y hacer seguro el succión tubo es inmerso en líquido.
	Succión tubo es no inmerso en pintar.	Hacer seguro el succión tubo es inmerso en la pintura.
	Succión tubo es goteando.	Apriete la conexión del tubo de succión. Inspeccione el tubo en busca de grietas o vacío. fugas. si está agrietado o dañado, reemplazar el succión tubo.
	Pulverizar/imprimir Válvula es gastado o obstruido con escombros.	Tener el pulverizador atendido por a calificado persona de mantenimiento.
	Entrada válvula controlar pelota es atascado.	Retire el tubo de succión y coloque un lápiz en el sección de entrada a desalojar el pelota, permitiendo el bomba a principal adecuadamente.
	Entrada válvula controlar pelota o asiento es sucio.	Eliminar entrada adecuado. Limpiar o Reemplace la bola y asiento.



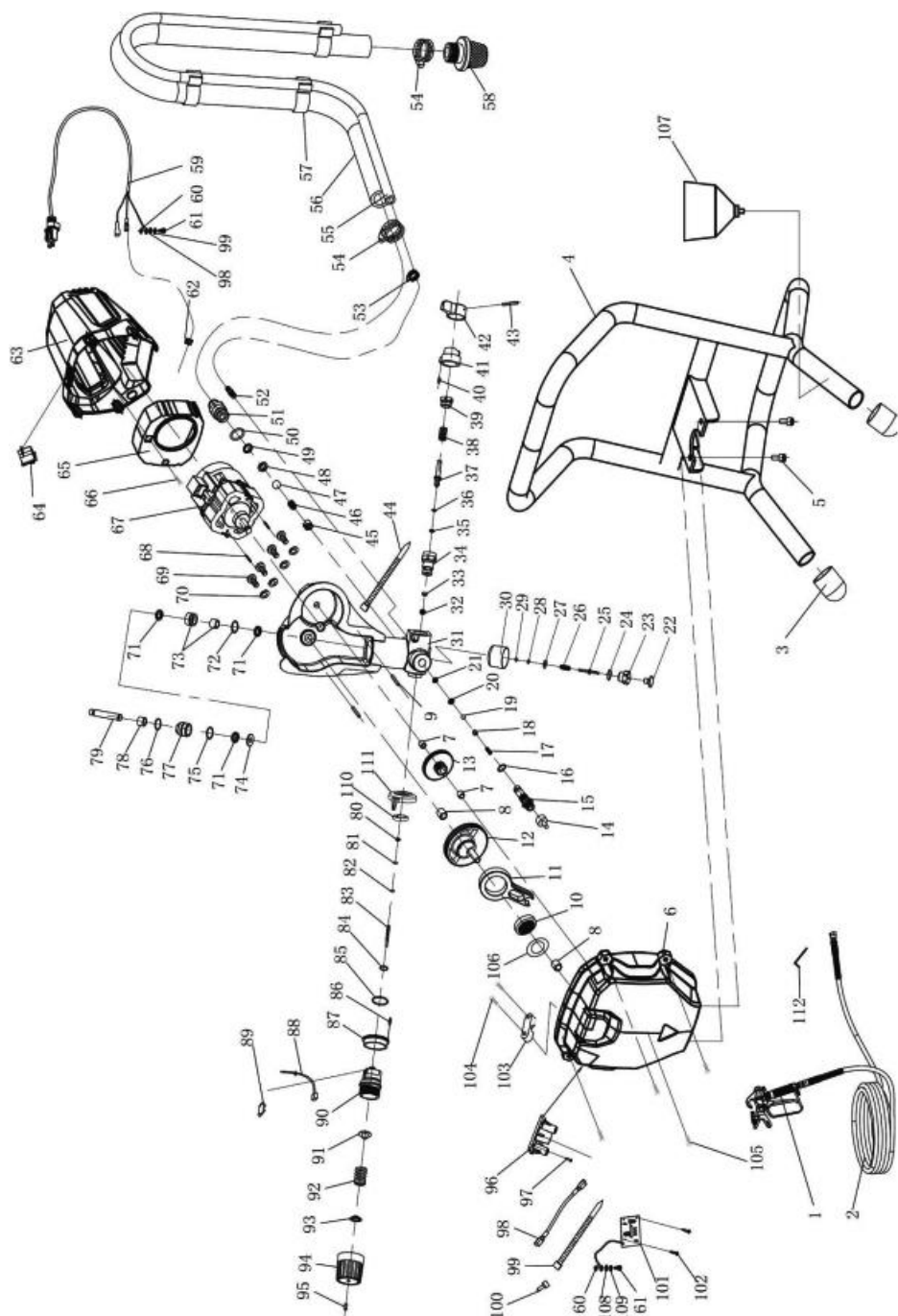
	Salida controlar pelota o asiento es sucio.	Eliminar el salida adecuado. Limpio o reemplazar la pelota y el asiento.
La bomba realiza ciclos pero solo pintura regatea o chorros cuando el rociar se dispara el arma.	Presión colocar también bajo.	Despacio doblar el Presión Control Mando agujas del reloj a aumentar presión configuración.
	Boquilla Rociar Consejo es obstruido.	Desatascar el Boquilla Punta de pulverización .
	Rociar pistola filtrar es obstruido.	Limpio o reemplazar el filtrar en el rociar pistola.
	Boquilla Rociar Consejo es demasiado grande o <b>WOITÍ</b> .	Reemplazar el Boquilla Punta de pulverización .
Presión es colocar en máximo pero no se puede lograr una buena pulverización patrón.	Boquilla Rociar Consejo es en el Desatascar posición.	Aliviar presión y girar el Boquilla Rociar Consejo entonces el flecha es apuntando lejos desde el mango.
	Boquilla Rociar Consejo es también grande para la pintura que se está pulverizando.	Seleccionar a menor Boquilla Rociar Consejo.
	Pulverizador de boquilla Consejo es gastado.	Reemplazar el Boquilla Punta de pulverización .
	Extensión cable es también largo o no calibre suficientemente pesado.	Reemplazar el extensión cable con a 12 AWG cable.
	Rociar pistola líquido filtrar es obstruido.	Limpio o reemplazar el rociar pistola líquido filtrar.
	Entrada pantalla es	Limpio escombros de entrada pantalla.

	obstruido.	
	Bomba valvulas son gastado, o escombros está obstruyendo las válvulas.	A controlar para gastado bomba válvulas: Principal el pulverizador con pintura. Dispara el arma momentáneamente. W. gallina el desencadenar es liberado, la bomba debe realizar un ciclo momentáneo y detener. Si él continúa a ciclo, entonces el bomba válvula se puede usar.
	Material de pintura es también grueso.	Delgado el pintar material.
	Alto presión manguera es también largo.	Si otro manguera sección tiene estado agregado, Retire la extensión de la manguera.
<b>Problema</b>	<b>Causa</b>	<b>Solución</b>
Rociar pistola interrumpido fumigación.	Succión tubo es goteando.	Apriete el succión tubo conexión. Inspeccionar el tubo para grietas o vacío fugas.
	Boquilla Rociar Consejo es obstruido.	Desatascar el Boquilla Punta de pulverización .
Pintar carreras abajo el muro o se hunde.	Abrigo es yendo en también grueso.	Mover el pistola más rápido. Elegir a Boquilla Rociar Consejo con a menor orificio. Elegir a Boquilla Rociar Consejo con a más amplio admirador. Asegurar a suficiente distancia (1 pie o 30 cm) desde la pistola hasta el pintado. superficie.

<p>Cobertura es también delgado o rociado la pintura es inadecuada.</p>	<p>Abrigo es yendo en también delgado.</p>	<p>Mover el pistola Más lento. Elegir una boquilla Rociar Consejo con a más grande orificio. Elegir a Boquilla Rociar Consejo con a abanico más estrecho. Asegurar a suficiente distancia (1 pie o 30 cm) desde la pistola hasta el pintado superficie.</p>
<p>Admirador patrón varía dramáticamente mientras fumigación. O Pulverizador hace no doblar en prontamente cuando reanudando fumigación.</p>	<p>La perilla de control de presión está gastado y causando excesivo presión variación.</p>	<p>Tener el pulverizador reparado por a calificado persona de mantenimiento.</p>
<p>No se puede activar el rociar pistola.</p>	<p>Rociar pistola desencadenar cerrar es bloqueado.</p>	<p>Girar el seguridad del gatillo palanca para el desbloquear posición.</p>
<p>Pintar es próximo afuera de el perilla de control de presión.</p>	<p>Presión Control Mando es gastado.</p>	<p>Tener el pulverizador atendido por a calificado persona de mantenimiento.</p>
<p>La válvula de pulverización/cebado se activa automáticamente aliviar presión a través de el Producción</p>	<p>Sistema es sobrepresurizado.</p>	<p>Tener el pulverizador reparado por a calificado persona de mantenimiento.</p>

Principal Tubo.		
Pintar fugas abajo el afuera de el bomba.	Bomba embalaje los sellos tienen gastado.	Reemplace la bomba embalaje focas.
El motor está caliente y funciona intermitentemente. Motor automáticamente cierra apagado pendiente a calor excesivo. Daño poder ocurrir si causa es no corregido.	Respiradero agujeros en motor recinto están obstruidos o el pulverizador está cubierto.	Mantener respiradero agujeros claro de obstrucciones y exceso de pulverización, y mantén el pulverizador descubierto y abierto al aire.
	Extensión cable es también largo o no calibre suficientemente pesado.	Reemplazar el extensión cable con a 12 AWG cable.
	No regulado eléctrico generador siendo utilizado tiene excesivo Voltaje.	Usar un eléctrico generador con a adecuado regulador de voltaje. El pulverizador requiere un 120 VCA, 60 Hz, Generador de 1500 vatios.

## DIAGRAMA DE PIEZAS



**LISTA DE PARTES**

No.	Descripción	No.	Descripción	No.	Descripción	No.	Descripción
1	Sin aire Rociar Pistola	34	Prensa. Alivio Asiento de válvula	67	Motor Asamblea	100	Cierre Anillo
2	Alto Presión Manguera	35	junta tórica, 5 X 1.8	68	Alfiler, 3 x12	101	tarjeta de circuito impreso Asamblea
3	Pie Almohadillas	36	Anillo	69	Maleficio Tornillo, EM X 14	102	Ser tocando Tornillo
4	Base Marco	37	Prensa. Alivio Válvula Eje	/ O	Primavera Lavadora, M5	103	Base Lámina
5	Maleficio Tornillo, M6 X 25	38	Primavera	71	Compuesto Retener Anillo	104	Tornillo, M4 X 20
6	Cubierta de bomba	39	Primavera Asiento	72	junta tórica, 22,5 X 1.8	105	Tornillo, M4.8 x16 _
7	sm Latón Cojinete	40	Alfiler, 3 x8	73	Trampa	106	Rodillo Brg. CVr.
8	LG Latón Cojinete	41	Cambiar Asiento	74	Departamento Lavadora	107	Embudo
9	Alfiler, 5 X 12	42	Cambiar Mando	75	Sello Anillo	108	Departamento Arandela, M4
10	Rodillo Cojinete	43	Alfiler, 2.5 x25	76	junta tórica, 26,5 X 1.8	109	Primavera Lavadora, M4
11	Conectando Vara	44	Nylon Cable Atar	77	Émbolo Asiento	110	Prensa. Ctl. Empaquetadura
12	Manivela Rueda de engranaje	45	Entrada Primavera Poseedor	78	Guía Vaina	111	Prensa. Ctl. Indicador Anillo
13	Grupo Engranaje	46	Entrada Primavera	79	Pistón		
14	Hilo Protector	47	Acero Pelota, 12.7	80	Cerrar Manga		
15	Descargar Asiento de válvula	48	Entrada Sello	81	Reforzado Sello		

dieciséis	anillo 0, 10x 8	49	Entrada Lavadora	82	Blanco Sello		
17	Producción primavera	50	anillo 0, 17x1.8	83	Cambiar Eje		
18	Ánima	51	Entrada Puerto	84	Junta tórica, 8,8 X 1.9		
19	Acero Pelota, 6.4	52	Prensa. Alivio Enchufar	85	Junta tórica, 27 X 2.4		
20	SelloAsiento	53	sm Manguera Abrazadera	86	Tornillo, M3 X 10		
21	Producción Lavadora	54	LG Manguera Abrazadera	87	Fin Gorra		
22	Presionar el botón	55	Cebador Producción Tubo	88	Micro interruptor Conjunto.		
23	Presionar el botón Primavera	56	Succión Tubo	89	Cubierta del microinterruptor		
24	anillo 0, 10x 1.5	57	Abrazadera	90	Prensa. Ctl. Asiento Insertar		
25	Presionar el botón Eje	58	Entrada Pantalla Conjunto.	91	Límite de deflación		
26	Presionar el botón Primavera	59	Cable de alimentación	92	Prensa. Ctl. Primavera		
27	Latón Espaciador	60	Tuerca de bloqueo	93	Primavera Asiento		
28	Retener Anillo	61	Tornillo, M4 X 8	94	Prensa. Ctl. Mando		
29	Junta tórica 2.4 X 1.8	62	Cable Cepa Alivio	95	Prensa. Ctl. Tornillo		
30	Presionar el botón Alojamiento	63	Motor Alojamiento	96	tarjeta de circuito impreso Apoyo Brkt.		
31	Bomba	64	Fuerza Cambiar	97	Tornillo, M4 x10		

	Alojamiento					
32	El plastico Lavadora	sesenta y cinco	Admirador Sudario	98	Cable Conector	
33	El plastico Lavadora	66	Tornillo, 2 x16	99	Nylon Cable Atar	

**Dirección:** Baoshanqu Shuangchenglu 803long 11hao 1602A-1609shi Shanghai  
**Importado a AUS:** SIHAO PTY LTD . 1 ROKEVA STREETASTWOOD NSW 2122  
Australia

**Importado a EE. UU.:** Sanven Technology Ltd. Suite 250, 9166 Anaheim Place,  
Rancho Cucamonga, CA 91730

<b>EC</b>	<b>REP</b>	SHUNSHUN GmbH Römeräcker 9 Z2021,76351 Linkenheim-Hochstetten, Germany
-----------	------------	--

<b>UK</b>	<b>REP</b>	Pooledas Group Ltd Unit 5 Albert Edward House, The Pavilions Preston, United Kingdom
-----------	------------	--

**Hecho en china**



**VEVOR<sup>®</sup>**

**TOUGH TOOLS, HALF PRICE**

**Técnico Certificado de soporte y garantía electrónica**

**[www.vevor.com/support](http://www.vevor.com/support)**

# **VEVOR<sup>®</sup>**

**TOUGH TOOLS, HALF PRICE**

Tecnico Supporto e certificato di garanzia elettronica [www.vevor.com/support](http://www.vevor.com/support)

## **Spruzzatore di vernice airless ad alta pressione**

We continue to be committed to provide you tools with competitive price.

"Save Half", "Half Price" or any other similar expressions used by us only represents an estimate of savings you might benefit from buying certain tools with us compared to the major top brands and does not necessarily mean to cover all categories of tools offered by us. You are kindly reminded to verify carefully when you are placing an order with us if you are actually saving half in comparison with the top major brands.



# VEVOR®

TOUGH TOOLS, HALF PRICE

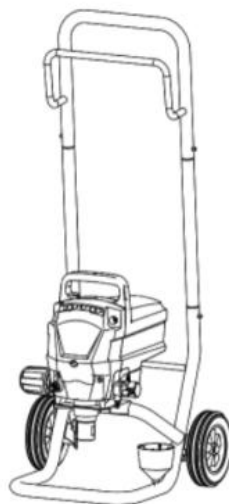
## HIGH PRESSURE AIRLESS PAINT SPRAYER



RP8626 \_



RP8626PIÙ \_ \_



### NEED HELP? CONTACT US!

Have product questions? Need technical support? Please feel free to contact us:

**Technical Support and E-Warranty Certificate**  
[www.vevor.com/support](http://www.vevor.com/support)

This is the original instruction, please read all manual instructions carefully before operating. VEVOR reserves a clear interpretation of our user manual. The appearance of the product shall be subject to the product you received. Please forgive us that we won't inform you again if there are any technology or software updates on our product.



## 5. Importanti istruzioni di sicurezza




Questo manuale di istruzioni è destinato a vostro beneficio . Si prega di leggere e seguire le norme di sicurezza, installazione e manutenzione e i passaggi per la risoluzione dei problemi descritti all'interno per garantire la tua sicurezza e soddisfazione. Il contenuto di questa istruzione manuale si basano sulle informazioni più recenti sul prodotto disponibili al momento della pubblicazione. Il produttore si riserva il diritto di apportare modifiche ai prodotti in qualsiasi momento senza preavviso.



Le istruzioni di sicurezza fornite in questo manuale non intendono coprire possibili condizioni e pratiche che possono verificarsi durante il funzionamento, la manutenzione e la pulizia delle apparecchiature elettriche.

Usare sempre il buon senso e prestare particolare attenzione a tutti i PERICOLO, AVVERTENZE, ATTENZIONE e AVVISO dichiarazioni contenute in questo manuale.

Mantenere le etichette. Questi contengono informazioni importanti. L'etichetta sullo strumento può includere i seguenti simboli. I simboli e le loro definizioni sono i seguenti:

<b>Simbolo</b>	<b>Proprietà o dichiarazione</b>
	Avvertenza - Per ridurre il rischio di lesioni, l'utente deve leggere attentamente il manuale di istruzioni. Leggere e comprendere questo manuale di istruzioni prima di utilizzare questo prodotto. La mancata osservanza di questa precauzione potrebbe provocare lesioni gravi o mortali.
	<b>Simbolo di avviso di sicurezza</b> Questo simbolo, posto prima di un commento sulla sicurezza, indica un tipo di precauzione, avvertenza o pericolo. Ignorare questo avvertimento potrebbe provocare un incidente. Per ridurre il rischio di lesioni, incendio o elettrocuzione, seguire sempre le raccomandazioni riportate di seguito.

	<b>Pericolo!</b> Rischio di lesioni personali o danni ambientali! Rischio di scossa elettrica! Rischio di lesioni personali dovute a scosse elettriche!
	Avvertenza: assicurarsi di indossare protezioni per le orecchie quando si utilizza questo prodotto.
	Avvertenza: assicurarsi di indossare protezioni per gli occhi quando si utilizza questo prodotto.
	Avvertenza: assicurarsi di indossare maschere antipolvere quando si utilizza questo prodotto.
	Avvertenza: assicurarsi di indossare guanti quando si utilizza questo prodotto.
	Rischio di incendio
	 Rischio di esplosione.
	  Rischio di iniezione cutanea.
	 Rischio di fumi tossici. Utilizzare solo in aree ben ventilate.
	Pericolo legato alle parti in alluminio pressurizzate.
	Evitare fonti di accensione come fiamme pilota, sigarette, lampade portatili, ecc.
	Alleviare la pressione del sistema.

	<p>Superfici calde/pericolo di ustioni.</p>
	<p><b>Informazioni sullo smaltimento:</b>  Questo prodotto è soggetto alle disposizioni della Direttiva Europea 2012/19/CE. Il simbolo del bidone della spazzatura barrato indica che nell'Unione Europea il prodotto richiede la raccolta differenziata dei rifiuti. Ciò vale per il prodotto e tutti gli accessori contrassegnati da questo simbolo. I prodotti contrassegnati come tali non possono essere smaltiti con i normali rifiuti domestici, ma devono essere portati in un punto di raccolta per il riciclaggio di dispositivi elettrici ed elettronici .</p>
V	Volt
UN	Ampere
Hz	Herz
W	Watt
~	Corrente alternata (CA)
≡	Corrente continua (CC)
⎓	Corrente alternata o continua (AC/DC)
⊕	Terminale per mangiare
⊕	Costruzione di classe I (con messa a terra)
◻	Costruzione di classe II (doppio isolamento)
PSI	Libbre per pollice quadrato
MPa	Megapascal
giri al minuto	Giri al minuto

min	Minuti
S	Secondi

## **NORME GENERALI DI SICUREZZA PER GLI**

### **ELETTROUTENSILI**

#### **UN AVVERTIMENTO**

**LEGGERE TUTTE LE AVVERTENZE DI SICUREZZA E TUTTE LE ISTRUZIONI.** La mancata osservanza delle

**avvertenze e delle istruzioni** può provocare scosse elettriche, incendi, esplosioni e/o lesioni gravi.

**CONSERVARE TUTTE LE AVVERTENZE E LE ISTRUZIONI PER RIFERIMENTO FUTURO.**

**Il termine "utensile elettrico" nelle avvertenze si riferisce** all'utensile elettrico alimentato dalla rete elettrica (con cavo).

#### **UN'AREA DI LAVORO SICUREZZA**

- Mantenere l'area di lavoro pulita e ben illuminata. Le aree disordinate o buie invitano incidenti
- Non utilizzare gli utensili elettrici in atmosfere esplosive, come in presenza di liquidi, gas o polvere infiammabili. Gli utensili elettrici creano scintille che possono incendiare la polvere o i fumi.
- Tenere lontani i bambini e gli astanti durante l'uso dell'utensile elettrico. Le distrazioni possono farti perdere il controllo.

#### **SICUREZZA PERSONALE**

- **Rimanere vigili, osservare ciò che si sta facendo e usare il buon senso** quando si utilizza un utensile elettrico. **Non utilizzare l'utensile elettrico quando si è stanchi o sotto l'effetto di droghe, alcol o farmaci. Un attimo di disattenzione durante l'utilizzo dell'utensile elettrico può provocare gravi lesioni personali.**
- **Utilizzare dispositivi di protezione individuale. Indossare sempre protezioni per gli occhi con protezioni laterali. I dispositivi di protezione come respiratori, maschere antipolvere, scarpe di sicurezza antiscivolo, elmetti di protezione e protezioni per l'udito ridurranno le lesioni personali.**



- **Prevenire l'avvio involontario. Assicurarsi che l' interruttore sia in posizione spenta prima di collegarlo alla fonte di alimentazione, raccogliere o trasportare lo strumento. Trasportare utensili elettrici con le dita**
- l'interruttore o gli utensili elettrici che hanno l' interruttore acceso possono provocare incidenti.
- **Non esagerare.** Mantenere sempre la posizione e l'equilibrio corretti per consentire un migliore controllo dell'utensile elettrico in situazioni impreviste.
- **Vestiti adeguatamente.** Non indossare abiti larghi o gioielli. Tenere i capelli, gli indumenti e i guanti lontani dalle parti in movimento. Abiti larghi, gioielli o capelli lunghi possono rimanere impigliati nelle parti in movimento.
- **Mantenere le maniglie e le superfici di presa asciutte e pulite ed esente da oli e grassi.** Le impugnature e le superfici di presa scivolose non consentono la manipolazione e il controllo sicuri dell'utensile in situazioni impreviste.
- **Non lasciare che la familiarità acquisita con l'uso frequente degli strumenti ti permetta di diventare compiacente e di ignorare i principi di sicurezza.** Un'azione imprudente può causare gravi lesioni in una frazione di secondo.
- **Questo prodotto non è destinato all'uso da parte di persone (compresi i bambini) le cui capacità fisiche, sensoriali o mentali sono diverse o ridotte, o mancano di esperienza o conoscenza, a meno che tali persone non ricevano supervisione o formazione sul funzionamento dell'apparecchio da parte di una persona responsabile della loro sicurezza.** I bambini devono essere **sorvegliati** per assicurarsi che non utilizzino il dispositivo come un giocattolo.

#### USO E CURA DELL'UTENSILE ELETTRICO

- **PULIRE LO SPRUZZATORE DOPO OGNI UTILIZZO.**
- **Non forzare l'utensile elettrico.** Utilizza l'utensile elettrico corretto per la tua applicazione. L'utensile elettrico corretto svolgerà il lavoro in modo migliore e più sicuro alla velocità per la quale è stato progettato.
- **Non utilizzare l'utensile elettrico se l'interruttore non lo accende e lo spegne.** Qualsiasi utensile elettrico che non può essere controllato con l'interruttore è pericoloso e deve essere riparato.
- **Scollegare la spina dalla presa di corrente prima di effettuare qualsiasi regolazione, cambiare accessori o riporre gli utensili elettrici.** Tali misure di sicurezza preventive riducono il rischio di avvio accidentale dell'elettro utensile.
- **Conservare gli utensili elettrici inattivi fuori dalla portata dei bambini e non**

consentire a persone che non hanno familiarità con l'utensile elettrico o con queste istruzioni di utilizzare l'utensile elettrico. Gli utensili elettrici sono pericolosi nelle mani di utenti inesperti.

- **Mantenere gli utensili elettrici. Verificare la presenza di disallineamento o inceppamento delle parti mobili, rottura di parti e qualsiasi altra condizione che possa influire sul funzionamento dell'utensile elettrico. Se danneggiato, far riparare l'utensile elettrico prima dell'uso. Molti incidenti sono causati da utensili elettrici sottoposti a scarsa manutenzione.**

#### SERVIZIO

- **Utilizzare l'utensile elettrico, gli accessori, le punte ecc. in conformità con le presenti istruzioni, tenendo conto delle condizioni di lavoro e del lavoro da eseguire.** L'uso dell'utensile elettrico per operazioni diverse da quelle previste potrebbe comportare una situazione pericolosa.
- **Verificare la presenza di parti danneggiate prima di ogni utilizzo.** Controllare per determinare che le protezioni funzionino correttamente e svolgano la funzione prevista. Controllare l'allineamento delle parti mobili, l'inceppamento delle parti mobili, la rottura delle parti, il montaggio e qualsiasi altra condizione che possa influenzarne il funzionamento. Una protezione o altra parte danneggiata deve essere adeguatamente riparata o sostituita da un centro di assistenza autorizzato. Il rispetto di questa regola ridurrà il rischio di scosse elettriche, incendi o lesioni gravi.
- **Ispezionare periodicamente il cavo dell'utensile elettrico e, se danneggiato,** deve essere sostituito solo dal produttore o da un centro di assistenza autorizzato per evitare rischi. Seguendo questa regola si ridurrà il rischio di scosse elettriche o incendi.
- **Fate riparare il vostro utensile elettrico da un tecnico qualificato utilizzando solo pezzi di ricambio identici.** Ciò garantirà il mantenimento della sicurezza dell'utensile elettrico.

## AVVERTENZE SPECIFICHE DI SICUREZZA

## UN AVVERTIME NTO

Questo spruzzatore non è destinato all'uso con materiali infiammabili o combustibili utilizzati in applicazioni industriali o in postazioni fisse come fabbriche o negozi di verniciatura. Seguire tutte le normative federali, statali o provinciali applicabili e conformarsi ai requisiti NFPA 33 e OSHA se utilizzati in queste applicazioni. Seguire tutte le normative federali, statali o provinciali applicabili e conformarsi ai requisiti NFPA 33 e OSHA se utilizzati in queste

### ANTINCENDIO

## ! PERICOLO



**Per ridurre il rischio di incendio o esplosione:**

- **I fumi provenienti da solventi e vernici sono infiammabili e possono incendiarsi o esplodere.** Utilizzare solo in un'area ben ventilata e consentire all'aria fresca di circolare attraverso l' area di lavoro. Mantenere la pompa ben ventilata e non spruzzare il gruppo pompa.
- **Lo spruzzatore genera scintille.** Quando si utilizza un liquido infiammabile all'interno o in prossimità dello spruzzatore o per il lavaggio o la pulizia, tenere lo spruzzatore ad almeno 20 piedi (6 m) di distanza dai vapori esplosivi.
- **Non spruzzare materiali infiammabili o combustibili vicino a fiamme libere o fonti di ignizione come scaldabagni, sigarette, motori e apparecchiature elettriche con luci pilota.** Utilizzare solo materiali a base di acqua o acqua ragia minerale con un punto di infiammabilità superiore a 21 °C (70 °F).
- **La vernice o il solvente che scorre attraverso l'apparecchiatura può provocare elettricità statica.** L'elettricità statica crea rischio di incendio o esplosione in presenza di fumi di vernici o solventi . Tutte le parti del sistema di spruzzatura, inclusa la pompa, il gruppo tubo flessibile, la pistola a spruzzo e gli oggetti all'interno e intorno all'area di spruzzatura devono essere adeguatamente messi a terra per proteggerli da scariche statiche e scintille. Utilizzare solo tubi per spruzzatura airless ad alta pressione

conduttivi o collegati a terra specificati dal produttore.

- **Prevenire le scariche elettrostatiche assicurandosi che tutti i contenitori e i sistemi di raccolta siano adeguatamente messi a terra.**
- **Utilizzare sempre una presa con messa a terra e prolunghe con messa a terra.** Non utilizzare un adattatore per spina 3 a 2.
- **Non utilizzare vernici o solventi contenenti idrocarburi alogenati.** Conoscere il contenuto delle vernici e dei solventi spruzzati. Leggere tutte le schede tecniche sulla sicurezza dei materiali (MSDS) e le etichette dei contenitori fornite con vernici e solventi. Seguire le istruzioni di sicurezza del produttore della vernice e dei solventi.
- **Tieni sempre un estintore funzionante nelle vicinanze.**
- **Non fumare nell'area di lavoro.**
- **Non azionare interruttori della luce, motori o prodotti simili che producono scintille nell'area di spruzzatura .**
- **Mantenere l'area di lavoro pulita e priva di contenitori di vernice o solventi, stracci e altri materiali infiammabili .**

## SICUREZZA ELETTRICA

**! DANGER**



**Per ridurre il rischio di scosse elettriche:**

- **Questo prodotto richiede una presa con messa a terra adeguata per ridurre il rischio di scosse elettriche.** Assicurarsi che la presa di corrente sia adeguatamente messa a terra in conformità con tutti i codici e le ordinanze locali. La spina e la presa dovrebbero assomigliare a quelle in Fig. A. Consultare un elettricista qualificato o un tecnico dell'assistenza se non si comprendono le istruzioni di messa a terra o se vi sono dubbi sulla corretta messa a terra dell'apparecchiatura.

- **Non modificare la spina del cavo di alimentazione fornita con lo strumento.** Non rimuovere mai il polo di messa a terra dalla spina. Se la spina non si adatta alla presa, fare installare una presa adeguata da un elettricista qualificato.
- **Non utilizzare l'utensile se il cavo di alimentazione o la spina sono danneggiati.** Se danneggiato, farlo riparare da un centro di assistenza prima dell'uso.
- **La presa deve corrispondere alla spina.** Non utilizzare alcun tipo di adattatore con una spina con messa a terra (messa a terra). Le spine non modificate e le prese corrispondenti ridurranno il rischio di scosse elettriche.
- **Evitare il contatto del corpo con superfici messe a terra o collegate a terra come tubi, radiatori, cucine e frigoriferi.** Il rischio di scosse elettriche aumenta se il corpo è collegato a terra o collegato a terra.
- **Non esporre questo prodotto alla pioggia o a condizioni umide.** L'ingresso di acqua nel prodotto aumenta il rischio di scosse elettriche.
- **Se è necessaria una prolunga, utilizzare un cavo da 12 AWG minimo (2,5 mm<sup>2</sup>) per fornire la quantità corretta di corrente allo strumento.** Un cavo sottodimensionato provocherà una caduta di tensione che causerà una perdita di potenza e surriscaldamento.
- **prolunga a 3 fili con una spina con messa a terra dotata di una presa con messa a terra adeguata che accetti la spina di questo utensile.**



- **Seguire le normative locali quando si sceglie un secchio per solvente per il lavaggio.** Utilizzare solo secchi metallici conduttivi posizionati su una superficie messa a terra come il cemento. Non posizionare il secchio su una superficie non conduttiva come carta o cartone. Collegare un filo di terra tra il secchio e una terra come un tubo metallico. Durante il lavaggio o lo scarico della pressione, il mantenimento della

pressione una parte metallica della pistola a spruzzo contro il secchio per garantire la continuità con la terra, quindi spruzzare.

## SICUREZZA INIEZIONE PELLE



**IN CASO DI INIEZIONE ACCIDENTALE NELLA PELLE CONSULTARE IMMEDIATAMENTE UN TRATTAMENTO MEDICO!** Spruzzi o perdite ad alta pressione possono penetrare nella pelle provocando lesioni gravi o mortali.

**Per ridurre il rischio di iniezione cutanea:**

- **Verificare che tutti i collegamenti siano serrati PRIMA di accendere l'unità.**
- **Non puntare la pistola né spruzzare contro persone o animali.**
- **Tenere le mani e altre parti del corpo lontane dall'ugello di spruzzatura e dalle perdite.** Non tentare di arrestare le perdite con nessuna parte del corpo.
- **Utilizzare sempre una protezione per la punta dell'ugello.** Non spruzzare mai senza la protezione della punta dell'ugello installata.
- **Inserire la sicura del grilletto quando non si spruzza.** L'apparecchiatura mantiene la pressione dopo l'interruzione dell'alimentazione .
- **Ispezionare i tubi e le parti per eventuali danni prima di ogni utilizzo.** Sostituire eventuali tubi o parti danneggiati solo con ricambi originali.
- **I componenti sostitutivi devono avere una pressione nominale non inferiore alla potenza nominale della pompa di 3000 PSI (205 bar).**

**! WARNING**



- **Seguire sempre la procedura di scarico della pressione per disattivare e scaricare la pressione.** Non lasciare l'unità sotto tensione o sotto pressione mentre è incustodita o non in uso.

- **Prestare attenzione durante la pulizia e la sostituzione dei tubi flessibili, delle punte degli ugelli, delle protezioni delle punte o durante l'installazione delle prolunghe.** Seguire la procedura di scarico della pressione per spegnere e scaricare la pressione prima di tentare la modifica.

#### HOT SUPERFICIE SICUREZZA

**! WARNING**



Le superfici dell'apparecchiatura e il fluido pressurizzato possono surriscaldarsi durante il funzionamento. Evitare ustioni non toccando fluidi o apparecchiature caldi.

#### ATTREZZATURE SICUREZZA

**! WARNING**



L'USO IMPROPRIO DI QUESTA APPARECCHIATURA PUÒ CAUSARE MORTE O LESIONI GRAVI.

- **Non utilizzare l'unità quando si è stanchi o sotto sforzo l'influenza di droghe o alcol.**
- **Fluidi o fumi tossici possono causare lesioni gravi o morte se spruzzato negli occhi o sulla pelle, inalato** o ingerito. Indossare sempre indumenti personali dispositivi di protezione compresi protezione per gli occhi, visiera, protezione per le orecchie e respiratore o viso maschera. Rivedi sempre la scheda di sicurezza e conosca rischi specifici del fluido utilizzato.
- Non superare la pressione massima di esercizio o classificazione della temperatura tra quelle più basse componente del sistema.
- **Utilizzare fluidi e solventi compatibili con attrezzature.** Leggere sempre fluido e solvente avvertenze del produttore.

- **Le apparecchiature pressurizzate possono iniziare senza avvertimento.** Prima di eseguire ispezioni, spostamenti o interventi di manutenzione l'apparecchiatura, seguire la decompressione Procedura descritta in questo manuale e scollegare il Alimentazione elettrica.

## SICUREZZA IN ALLUMINIO

**⚠ WARNING**



Utilizzo di fluidi incompatibili con l'alluminio nelle apparecchiature sotto pressione può provocare gravi danni reazione chimica e rottura dell'attrezzatura. Fallimento seguire questo avvertimento potrebbe provocare morte, lesioni gravi o danni materiali.

Non utilizzare 1,1, 1 - t richloroetano, metilene cloruro o altri alogenati idrocarburo solventi o fluidi contenenti tali solventi.

Molti altri fluidi possono contenere sostanze chimiche che possono reagire con l'alluminio. Contatta il tuo materiale fornitore per la compatibilità .

## WARNING

Prima di utilizzare questo prodotto, leggere e comprendere tutte le istruzioni e le avvertenze di sicurezza. L'uso improprio può provocare lesioni gravi o danni materiali.

1 .Avvertenze \_ dovere Essere seguito accuratamente \_\_ A Evitare corpo infortunio. Improprio utilizzo Maggiore risultato In scosse elettriche, incendi, lesioni personali e altri danni:

1 ) Conserva scollegare quando spostando il macchina.

2 ) Conserva scollegare quando installazione \_ Accessori

3 ) Posizionarlo un appartamento e stabile piattaforma E operare sotto ventilato condizioni

4) Indossa qualcosa di speciale dispositivi di protezione quando operativo IL macchina

5)Fai non usare questo macchina In UN luogo pericoloso.

6) Fai non utilizzo Quando IL macchina È non lavorando correttamente .



- 7) Fai non smontare E riparazione Questo macchina .
- 8) Fai non utilizzo UN inadatto AC Sbocco .
- 9) Fallo non toccare il riscaldamento piatto quando IL la macchina si sta riscaldando .
- 10) Fallo non usare in un ambiente umido ambiente o contatto con l'acqua. Fare non inf ltrato \_ liquido In IL macchina a prevenire il fuoco o scossa elettrica causata per cortocircuito.
- 11) Fai non utilizzo IL energia fornitura Quello fa non Incontrare IL valutato voltaggio . IL energia fornitura Che fa non soddisfare la tensione specificata potrebbe provocare un incendio O elettrico shock.
- 12) Garantire Quello IL macchina È a terra COSÌ COME non A causa danno al corpo . \_
- 13) Fallo non toccare il rotante \_ asta o cuscinetto parte con le dita durante utilizzo In caso Di lesioni .
- 14) Se IL macchina È non In utilizzo per UN lungo tempo , Per favore scollegare IL energia cordone da IL PRESA .
- 15) Fare non utilizzare il macchina durante i temporali o illuminazione A Evitare danno a IL macchina .
- 16) Posizionare il macchina senza problemi sul tavolo ignifugo E stai lontano da Sono triste e \_ esplosivo elementi.
- 17) Per favore fermare utilizzando Esso Se IL macchina fuma , emette UN peculiare odore , O diventa rumoroso E In altro anormale condizioni.
- 18)Questo elettrodomestico Potere Essere usato dai bambini invecchiato da 8 anni E Sopra E persone con ridotto fisico , sensoriale o mentale capacità o mancanza di esperienza E conoscenza \_ se hanno ricevuto supervisione o istruzioni sull'uso dell'apparecchio in una cassaforte modo e comprendere i rischi connessi. I bambini non devono giocare con l'apparecchio. La pulizia e la manutenzione da parte dell'utente non devono essere effettuate da bambini senza supervisione
- 23) tipo Z : Se il cavo di alimentazione non può essere sostituito. Se il cavo è danneggiato l'apparecchio deve essere rottamato.
- 24) Per evitare pericoli dovuti al ripristino involontario del dispositivo termico, questo l'apparecchio non deve essere alimentato tramite un dispositivo di commutazione esterno, come un timer, o collegato ad un

circuito che viene regolarmente acceso e spento dall'utenza.

## FCC INFORMATION

**ATTENZIONE:** Cambiamenti o modifiche non espressamente approvati dalla parte responsabile della conformità potrebbero invalidare il diritto dell'utente a utilizzare l'apparecchiatura!

Questo dispositivo è conforme alla Parte 15 delle norme FCC. Il funzionamento è soggetto alle seguenti due condizioni:

- 1) Questo prodotto può causare interferenze dannose.
- 2) Questo prodotto deve accettare qualsiasi interferenza ricevuta, comprese le interferenze che potrebbero causare un funzionamento indesiderato.

**AVVERTIMENTO:** Cambiamenti o modifiche a questo prodotto non espressamente approvati dalla parte responsabile della conformità potrebbero annullare l'autorità dell'utente a utilizzare il prodotto.

**Nota:** Questo prodotto è stato testato ed è risultato conforme ai limiti di un dispositivo digitale di Classe B ai sensi della Parte 15 delle norme FCC. Questi limiti sono progettati per fornire una protezione ragionevole contro interferenze dannose in un'installazione residenziale.

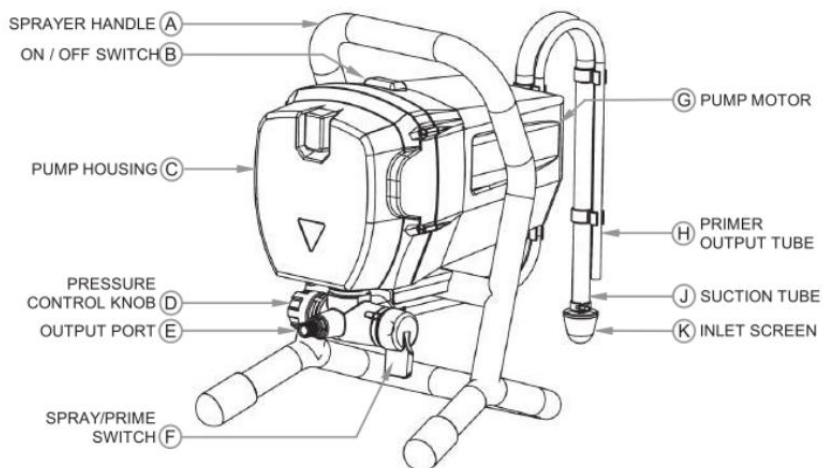
Questo prodotto genera, utilizza e può irradiare energia in radiofrequenza e, in caso contrario installato e utilizzato secondo le istruzioni, può causare interferenze dannose alle comunicazioni radio. Tuttavia, non vi è alcuna garanzia che non si verifichino interferenze in una particolare installazione. Se questo prodotto causa interferenze dannose alla ricezione radiofonica o televisiva, cosa che può essere determinata spegnendo e accendendo il prodotto, si consiglia all'utente di provare a correggere l'interferenza adottando una o più delle seguenti misure.

- Riorientare o riposizionare l'antenna ricevente.
- Aumentare la distanza tra il prodotto e il ricevitore.
- Collegare il prodotto ad una presa su un circuito diverso da quello a cui è collegato il ricevitore.
- Consultare il rivenditore o un tecnico radio/TV esperto per assistenza.

**SPECIFICHE**

Items	Description	RP8626	RP8626 PLUS
1	Rated Voltage:	120VAC 60Hz ( For US user)	120VAC 60Hz ( For US user)
2	Rated Voltage:	230VAC 50Hz ( For Europe user)	230VAC 50Hz ( For Europe user)
3	Rated Power:	750 W	750 W
4	Maximum Working Pressure (MWP):	3000 PSI	3000 PSI
5	Maximum Delivery:	1.2 LPM	1.2 LPM
6	Work Environment Temperature:	5° C - 40° C / 40° F - 105° F	5° C - 40° C / 40° F - 105° F
7	Standard Nozzle:	517	517
8	Transportation and Storage Temperature:	-13° F-131° F (-25° C-55° C)	-13° F-131° F (-25° C-55° C)
9	Hose Length:	7.6 m / 25 ft	7.6 m / 25 ft
10	Paint Outlet Connector Size	1/4" -18 NPSM	1/4" -18 NPSM
11	G. W. :	9.8kg	12.3kg

**SPRUZZATORE RP8626:**

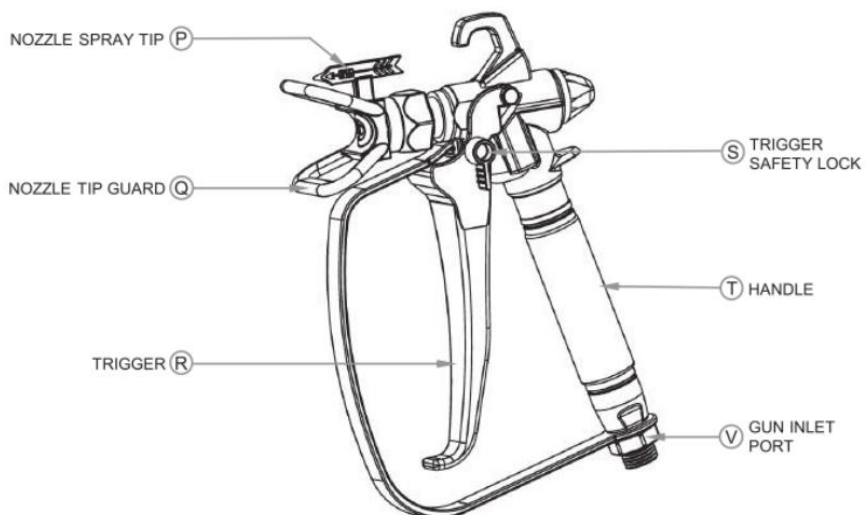


M HIGH PRESSURE PAINT HOSE



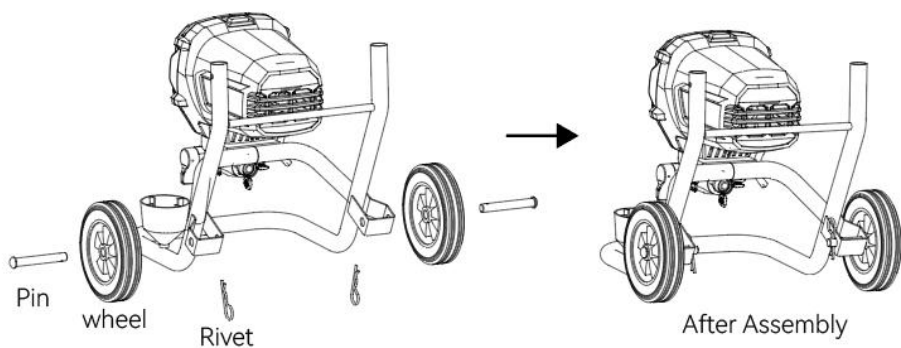
N FUNNEL

**PISTOLA A SPRUZZO AIRLESS RP8626 E RP8626 PLUS**



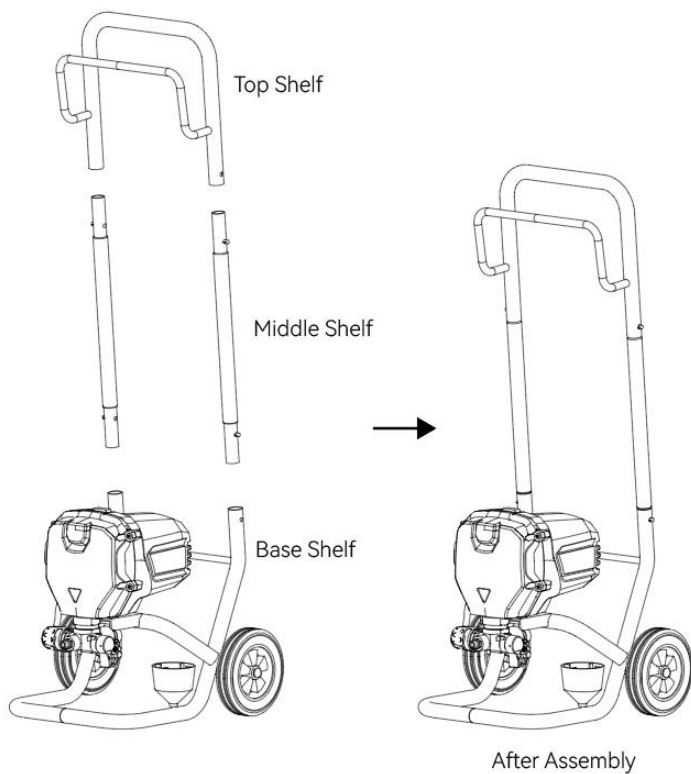
wheel installation

---



Shelf installation

---



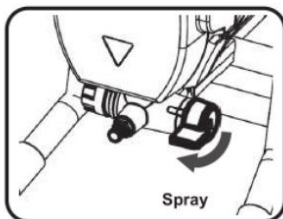
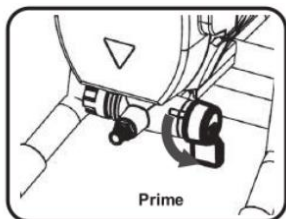
# OPERAZIONE

## AVVISO:

PULIRE DOPO L'USO PER EVITARE DANNI PERMANENTI AL SPRUZZATORE. RESI NON ACCETTATI E LA GARANZIA ANNULLA SE LO SPRUZZATORE NON VIENE PULITO CORRETTAMENTE IMMEDIATAMENTE DOPO OGNI UTILIZZO.

### Interruttore adescamento/spruzzatura

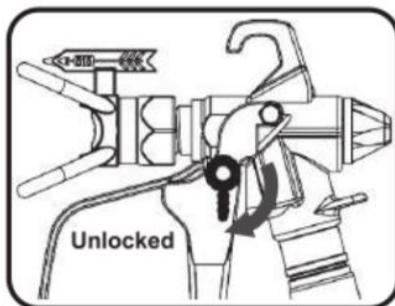
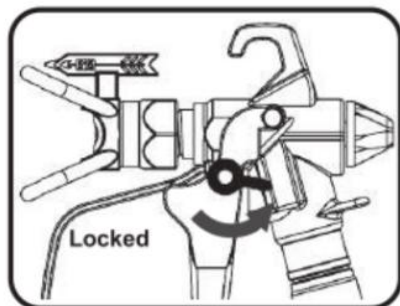
L'interruttore di adescamento/spruzzatura (F) commuta l'unità tra modalità di adescamento e spruzzatura modalità.



### Blocco del grilletto

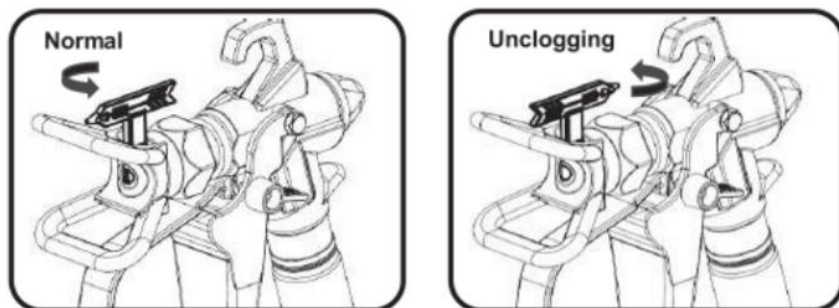
Il blocco del grilletto (S) impedisce il trigger da essere accidentalmente azionato come quando la pistola è caduto.

**INSERIRE SEMPRE IL BLOCCO DEL GRILLETTO QUANDO LA PISTOLA A SPRUZZO NON È IN USO.**



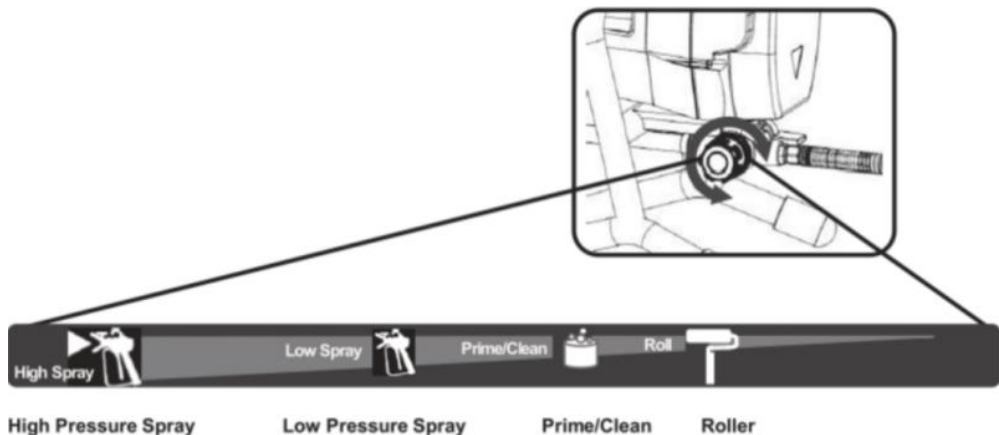
### **Punta di spruzzo dell'ugello**

La punta di spruzzo dell'ugello (P) è smontabile e reversibile da realizzare pulizia e disintasamento più facili. Il funzionamento normale avviene con la freccia puntata verso l'esterno e lontano da la pistola. Sbloccare l'ugello è fatto ruotando l'ugello spray Suggerimento in modo che la freccia sia rivolta verso l'interno verso la pistola.



### **Manopola di controllo della pressione**

La manopola di controllo della pressione (D) regola la pressione della vernice uscita alla porta di uscita (E). Ruotando la manopola completamente a destra (in senso orario) si regola l'uscita della vernice alla pressione massima per spruzzatura ad alta pressione. Ruotando la manopola completamente a sinistra (in senso antiorario) si ridurrà al minimo la produzione di vernice pressione. Allineare l'indicatore della manopola di controllo della pressione a funzione desiderata come indicato sull'etichetta (mostrata sotto)



## PROCEDURA DI DEPRESSIONE

### **! WARNING**

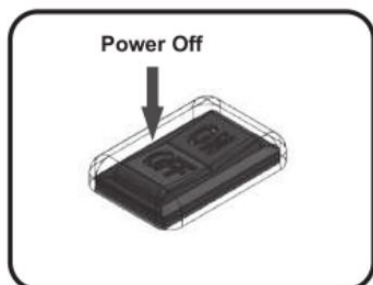


ALLEVIARE SEMPRE LA PRESSIONE QUANDO LA SPRUZZATURA È COMPLETATA E PRIMA DI EFFETTUARE MANUTENZIONE O TRASPORTO.



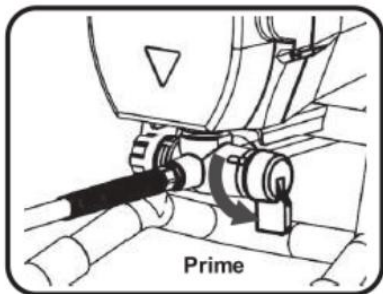
RISCHIO DI INIEZIONE NELLA PELLE. NON PUNTARE LA PISTOLA O SPRUZZARE VERSO NESSUNA PERSONA O ANIMALE. NON POSIZIONARLO DAVANTI ALL'UGELLO SPRUZZATORE.

1. Posizionare l'interruttore ON/OFF (B) su OFF posizione e scollegare il cavo di alimentazione.

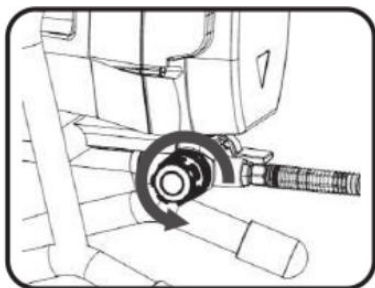


6. Ruotare l'interruttore Prime/Spray su PRIME posizione.





3. Regolare la manopola di controllo della pressione (D) sull'impostazione della pressione più bassa (ROLL)

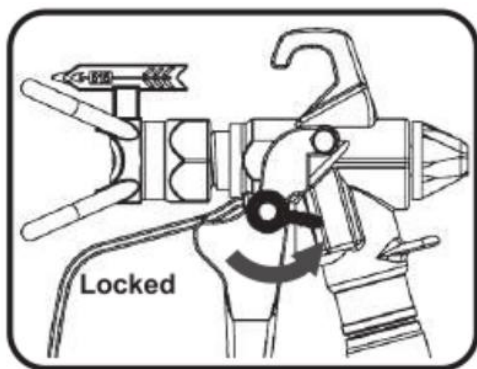


4. Quando si utilizza un secchio per rifiuti o solventi, assicurare il secchio è di metallo ed è adeguatamente messo a terra. Bloccare un'estremità di un filo di terra al secchio e l'altra estremità a una messa a terra adeguata, ad esempio un tubo dell'acqua in metallo.

5. Puntare la pistola a spruzzo verso lo scarico messo a terra o secchio per solventi tenendo qualsiasi parte metallica della pistola a spruzzo saldamente al lato del secchio per mantenerla continuità di terra della pistola e del secchio, quindi azionare il grilletto più volte fino alla pressione all'interno del tubo è stato scaricato



8. Inserire la sicura del grilletto dopo aver effettuato la pressione sollevato.



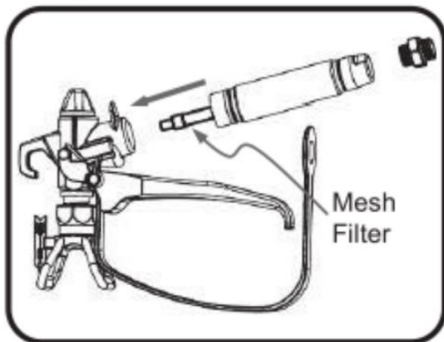
7. Lasciare l'interruttore Prime/Spray in posizione Prime finché non sei pronto per spruzzare di nuovo.

8. Se si sospetta che l'ugello di spruzzatura o il tubo siano ostruiti o quella pressione non è stata completamente alleviata dopo seguendo questi passaggi, **CON ATTENZIONE E LENTAMENTE** allentare il dado di fissaggio della protezione dell'ugello o l'estremità del tubo giunto per scaricare gradualmente la pressione, quindi allentare completamente prima di tentare di cancellarli ostruzione.

## IMPOSTARE

Gli elementi tra parentesi ( ) si riferiscono alla Caratteristica disegno di identificazione nella sezione precedente.

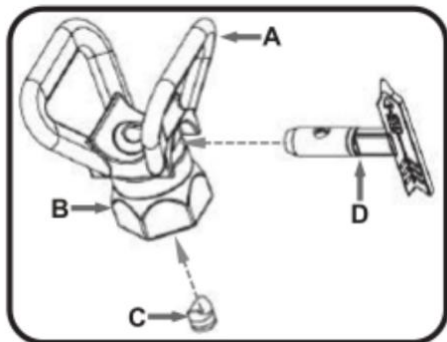
Nota: la pistola a spruzzo viene fornita assemblata da fabbrica. Se la pistola è stata smontata per la pulizia seguire i passaggi seguenti per rimontare.



13. Inserire il filtro a rete nella maniglia (T) e allinearla l'impugnatura con il corpo superiore della pistola a spruzzo.

14. Tenendo la parte superiore della pistola a spruzzo, serrare la maniglia (T) utilizzando una chiave.

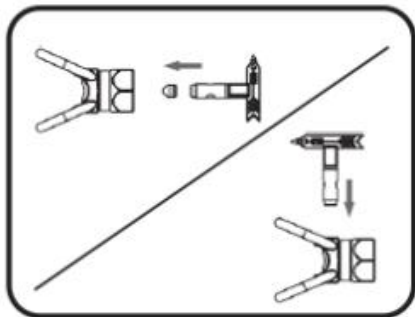
15. Posizionare la protezione della maniglia sopra il foro sul parte inferiore dell'impugnatura, quindi fissarla in posizione utilizzando l'adattatore della porta di ingresso del tubo (V) e due chiavi.



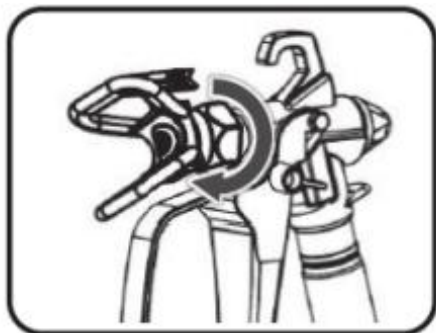
16. La punta e la protezione della pistola sono costituite da quanto segue componenti:

- A. Protezione punta ugello
- B. Dado di fissaggio della protezione della punta dell'ugello
- C. Sedile in metallo con guarnizione in gomma
- D. Punta di spruzzatura dell'ugello

17. Utilizzare la punta di spruzzo dell'ugello per installare la sede metallica con guarnizione in gomma nella protezione della punta dell'ugello.

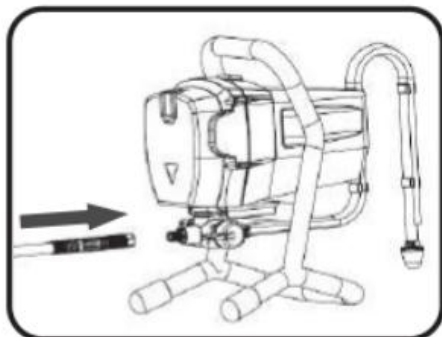


18. Installare la punta di spruzzatura dell'ugello nella punta dell'ugello Guardia.



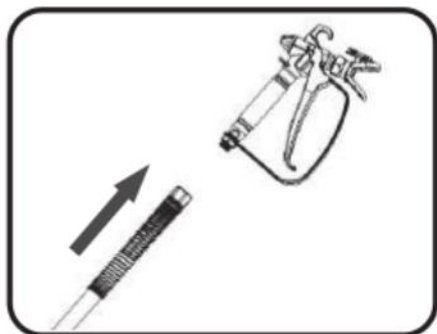
7. Avvitare il dado di fissaggio della protezione della punta dell'ugello la parte anteriore del corpo superiore della pistola a spruzzo e serrare con una chiave inglese.

8. Con l'unità scollegata, srotolare e collegare il Tubo flessibile della vernice ad alta pressione (M) alla porta di uscita (E). Utilizzare una chiave per serrare correttamente il raccordo.

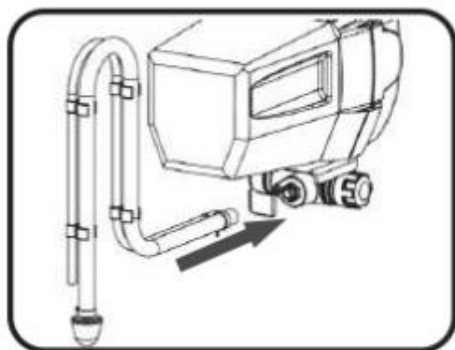


11. Collegare l'altra estremità della vernice ad alta pressione Tubo flessibile (M)

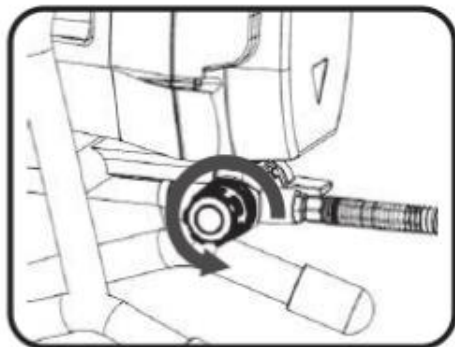
alla porta di ingresso della pistola (V) sullo spruzzo Maniglia della pistola (T).  
Utilizzare un paio di chiavi inglesi per serrare correttamente il raccordo



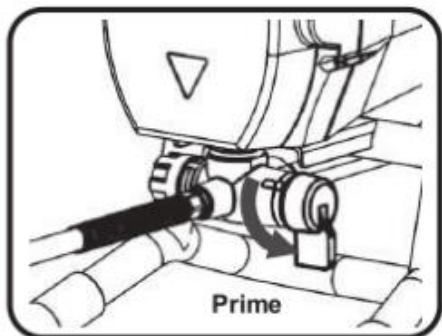
10. Collegare il tubo di aspirazione (J) e l'uscita del primer Tubo (H) sul retro dell'alloggiamento della valvola, quindi installare lo schermo di ingresso (K).  
Fissare sul posto utilizzando le fascette stringitubo in dotazione.



11. Impostare la manopola di controllo della pressione (D) su Posizione di adescamento/pulizia.



1 2 . Posizionare l'interruttore di spruzzatura/adescamento (F) su Adescamento Posizione.

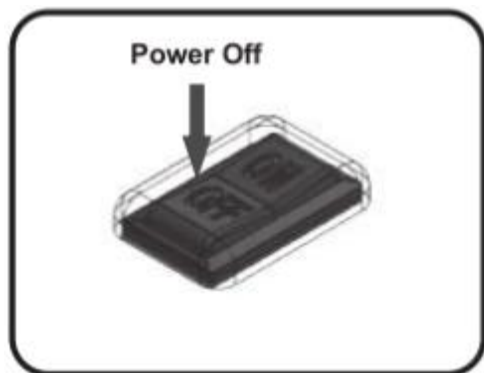


### **ADESCAMENTO E FLUSSO**

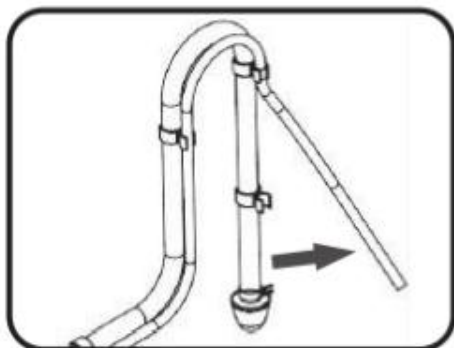
Prima di ogni utilizzo, lo spruzzatore deve essere adescato e lavato per rimuovere il fluido di stoccaggio dallo spruzzatore. Seguire queste linee guida durante il priming e il lavaggio:

- Se intendi spruzzare materiali a base d'acqua, usa l'acqua per lavare a fondo il sistema.
- Utilizzare un solvente di lavaggio compatibile a base di olio o acqua ragia minerale per lavare a fondo il sistema se si spruzzeranno materiali a base di olio.
- Se si passa dalla spruzzatura a base di olio alla spruzzatura a base di acqua, lavare prima accuratamente il sistema con acqua. L'acqua che fuoriesce dal tubo di uscita del primer (H) deve essere limpida e priva di solventi prima di iniziare a spruzzare il materiale a base d'acqua. Se si passa dalla spruzzatura a base di acqua alla spruzzatura a base di olio, lavare prima accuratamente il sistema con un solvente di lavaggio compatibile a base di olio o acqua ragia minerale. Il solvente che scorre dal tubo di uscita del primer (H) non deve contenere acqua.
- Utilizzare sempre un secchio per rifiuti metallici o solvente collegato a terra.
- Consultare la sezione Sicurezza elettrica.
- Puntare sempre la pistola verso la parete interna del secchio dei rifiuti o del solvente per evitare schizzi di liquido sulla pelle o negli occhi.

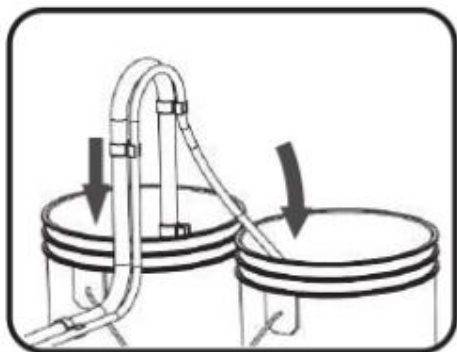
5. Posizionare l'interruttore ON/OFF (B) su OFF posizione e scollegare lo spruzzatore.



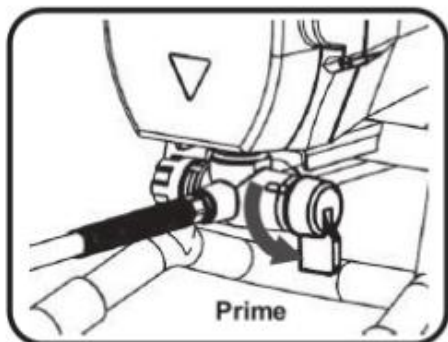
6. Separare il tubo di uscita del primer (H) da IL Tubo di aspirazione (J).



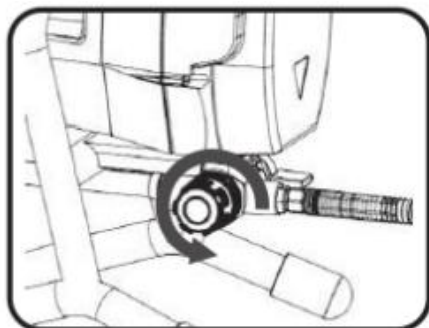
3. Posizionare il tubo di uscita del primer (H) in un secchio per rifiuti/solventi collegato a terra e inserire il tubo di aspirazione (J) con il retino di ingresso (K) in un secchio contenente acqua o solvente di lavaggio (determinato dalle linee guida discusse sopra).



4. Controllare che l'interruttore di spruzzatura/adescamento (F) sia nella posizione Posizione privilegiata.

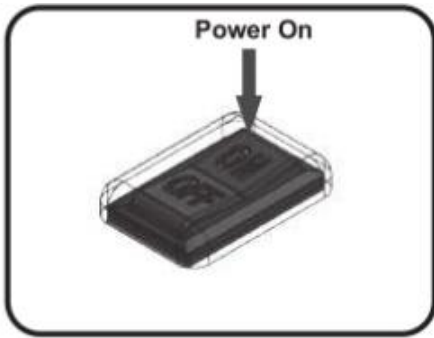


5 . Impostare la manopola di controllo della pressione (D) su Posizione di adescamento/pulizia.

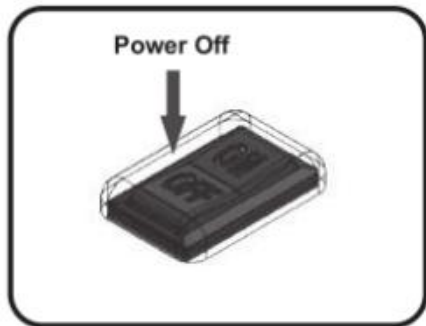


6 . Collegare lo spruzzatore a una presa con messa a terra e accenderlo l'interruttore di accensione/spengimento (B) in posizione ON.

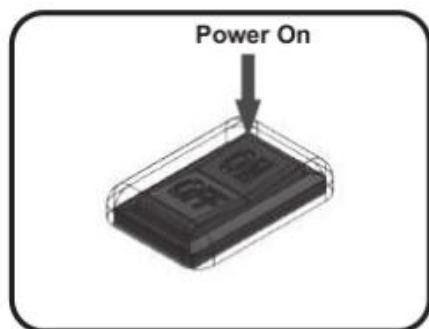
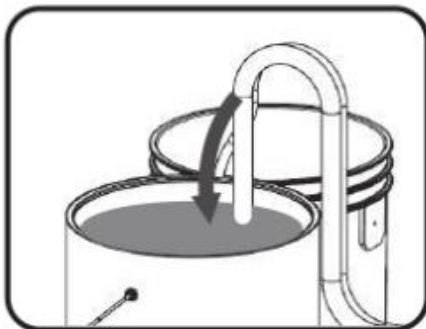




7. Lo spruzzatore inizierà a pompare acqua o a lavare solvente. L'aria e l'olio di stoccaggio verranno eliminati dal sistema. Consentire ai fluidi di continuare ad esistere scaricato dal tubo di uscita del primer (H) per 30 a 60 secondi, quindi accendere/spegnere l'alimentazione Interruttore (B) in posizione OFF.



8. Rimuovere il tubo di aspirazione (J) e il filtro di ingresso (K) dal secchio che contiene acqua o solvente di lavaggio (fase 3) e inserirli nel contenitore che contiene il vernice che utilizzerai.

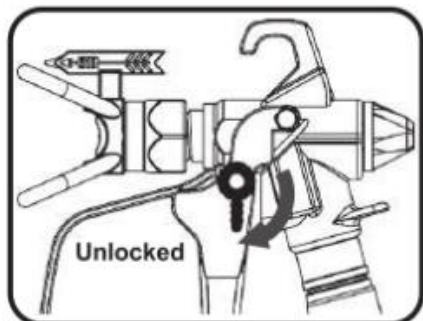


9. Accendere l'interruttore di accensione/spegnimento (B).

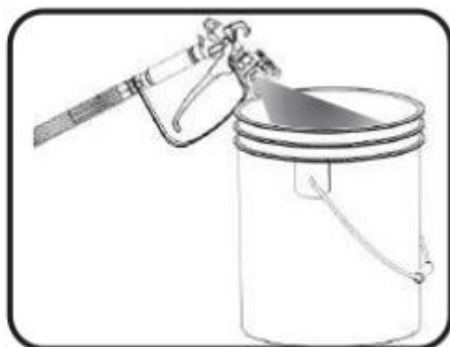
10. La vernice inizierà a essere pompata attraverso l'aspirazione Tubo (J) e inizierà ad essere scaricato il tubo di uscita del primer (H) e nel secchio dei rifiuti/solvente.

11. Tenere la pistola a spruzzo rivolta verso e contro secchio per rifiuti/solventi.

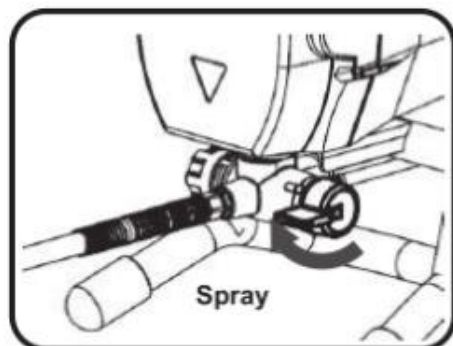
12. Sbloccare la sicura del grilletto.



15. Tirare e tenere premuto il grilletto.



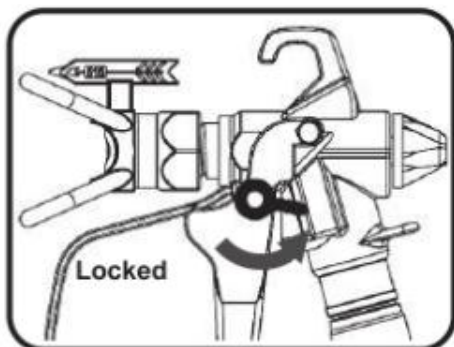
14. Ruotare l'interruttore Spray/Adescamento (F) su Spray posizione.



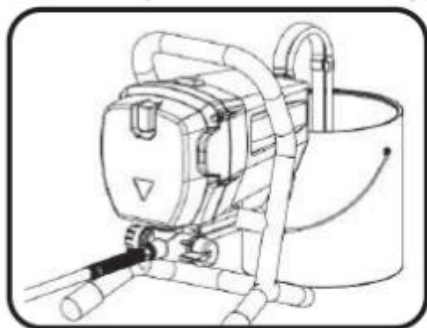
15. Continuare a tenere premuto il grilletto mentre si punta la pistola nel secchio

dei rifiuti/solventi fino a quando rimane solo la vernice uscendo dalla pistola.

16. Rilasciare il grilletto e inserire la sicura del grilletto



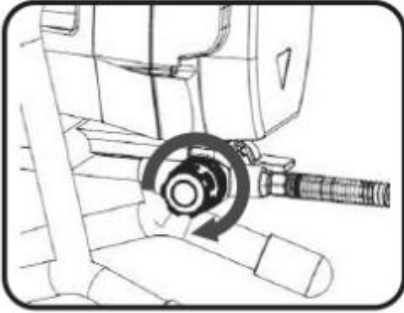
19. Spostare il tubo di uscita del primer (H) sulla vernice contenitore e agganciarlo al tubo di aspirazione (J).



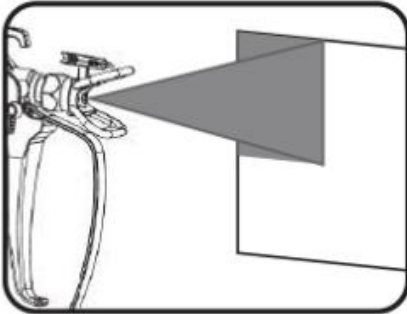
AVVISO: Il motore si fermerà, il che indica la pompa e il tubo sono verniciati e sotto pressione. Se \_ il motore continua a funzionare, l'irroratore non è correttamente innescato. Per eseguire nuovamente l'adescamento, ruotare l'interruttore Spray/Adescamento (F) sulla posizione Adescamento e ripetere tutti i passaggi dall'inizio al passaggio 9.

## **PITTURA**

11. Impostare la manopola di controllo della pressione (D) su una pressione medio-alta.

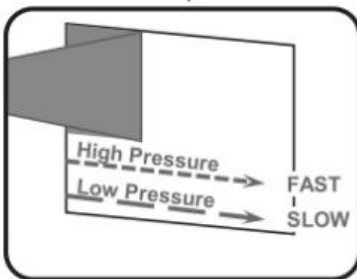


12. Prova questa impostazione della pressione su un pezzo di scarto Materiale.



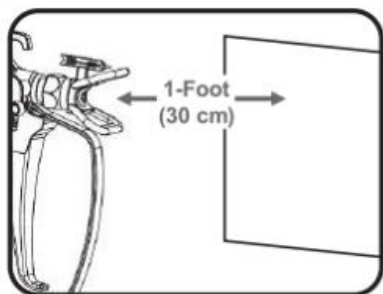
13. Regolare la manopola di controllo della pressione (D) finché a consistenza liscia e uniforme è raggiunto.

14. Su un pezzo di materiale di scarto, spruzzare un test patch e valutare la velocità della corsa richiesta per la regolazione della pressione. La pressione più bassa lo farà richiedono una velocità inferiore e una pressione più elevata richiedono una velocità di corsa maggiore.

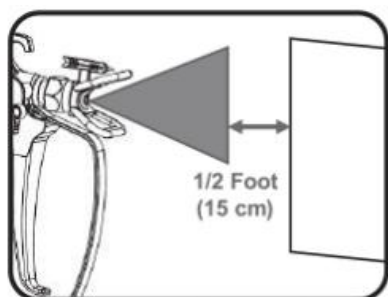


NOTA: la qualità della superficie da verniciare cambierà hanno un grande effetto sul risultato della spruzzatura. La superficie essere verniciato deve essere adeguatamente preparato prima cominciando a spruzzare.

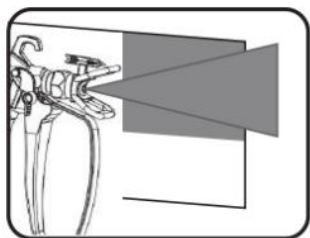
## TECNICA DI SPRUZZATURA



3. Mantenere una distanza di circa 30 cm (1 piede) da la superficie da spruzzare.

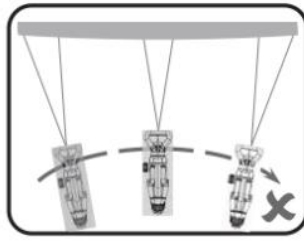
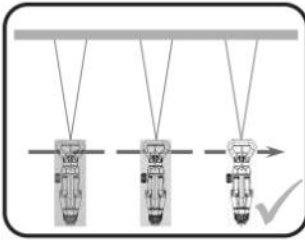


2. Avviare il movimento della corsa prima di premere il grilletto e iniziare a circa 15 cm di distanza dal bordo dell'area da spruzzare

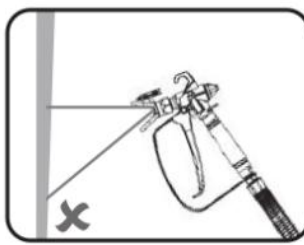
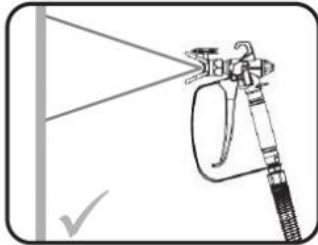


3. Rilasciare il grilletto una volta superato il bordo opposto della superficie da spruzzare.

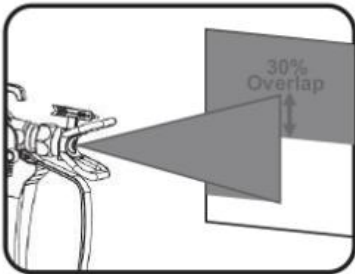
4. Muovere la pistola con tutto il braccio senza flettersi il polso per garantire uno schema di spruzzatura uniforme.



15. Mantenere la pistola a spruzzo ad angolo retto rispetto alla superficie essere dipinto.



6. Sovrapponi ogni passata del 30% per garantire una copertura uniforme.



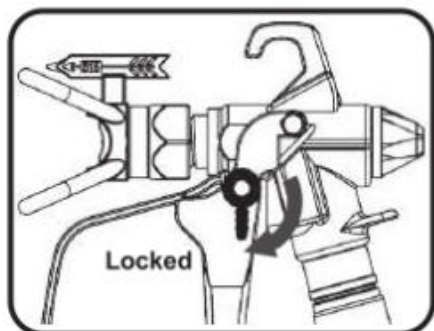
Altri suggerimenti utili

- Spruzzare all'aperto in una giornata ventosa può provocare scarsi risultati. Attendere finché non c'è vento e il tempo è soddisfacente
- Applicare una mano alla volta e lasciare asciugare completamente prima di aggiungere un'altra mano.
- Evitare di fermarsi e ripartire, cosa che comporterebbe a finitura irregolare. Inizia su un bordo di una superficie e finire appena oltre il bordo opposto. Evitare di fermarsi al centro di una superficie che potrebbe provocare una finitura irregolare .

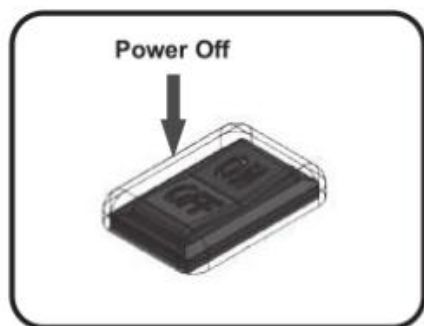
## **SOSTRUIRE L'UGELLO DI SPRUZZATURA**

- La punta di spruzzatura dell'ugello (P) può occasionalmente diventare intasato di vernice. Seguire queste istruzioni per cancellare a Ugello ostruito Ugello di spruzzatura:

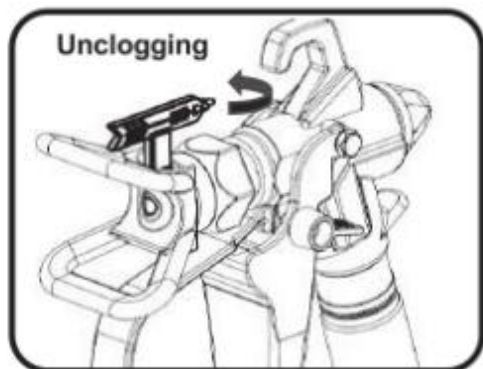
1. Rilasciare il grilletto e inserire il blocco del grilletto ( S )



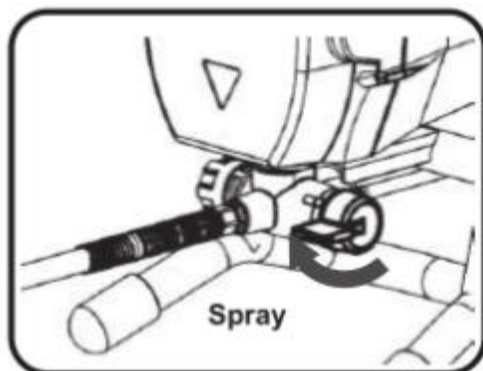
2. Posizionare l'interruttore ON/OFF (B) su OFF posizione e scollegare il cavo di alimentazione.



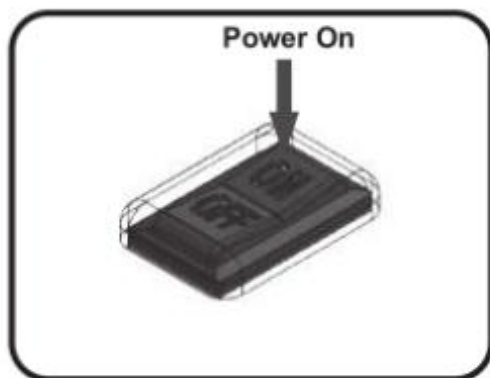
3. Ruotare la punta di spruzzatura dell'ugello (P) in modo che la freccia punti verso la parte posteriore della pistola.



4. Ruotare l'interruttore Spray/Adescamento (F) in posizione Spray.

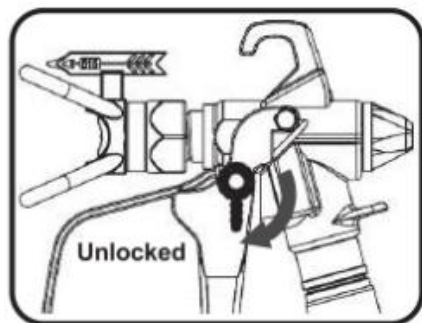


5. Posizionare l'interruttore ON/OFF (B) in posizione ON.

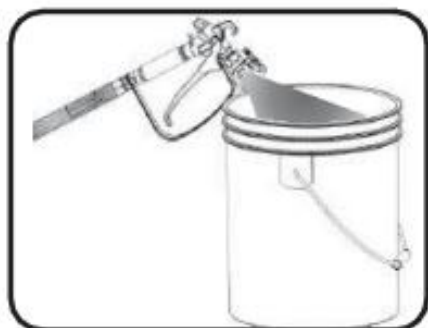


6. Disinnestare il blocco del grilletto (S).

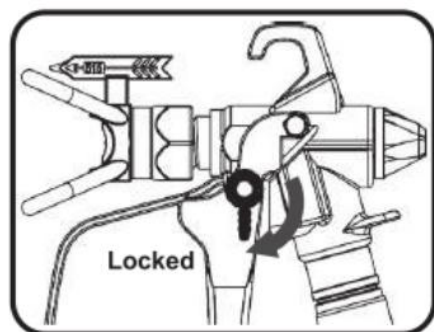




7. Puntare la pistola a spruzzo in un secchio per rifiuti o solventi collegato a terra tenendo saldamente qualsiasi parte metallica della pistola a spruzzo sul lato del secchio per mantenere la continuità di terra della pistola e del secchio, quindi azionare più volte il grilletto per eliminare l'ostruzione.

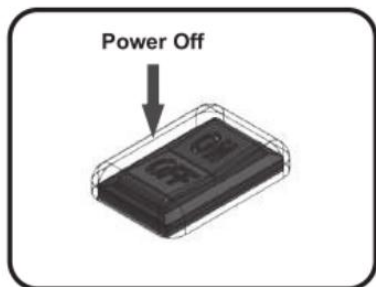


8. Rilasciare il grilletto e inserire il/i blocco/i del grilletto/i.

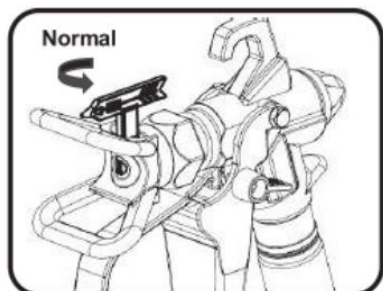


9. Posizionare l'interruttore ON/OFF (B) in posizione OFF e scollegare il cavo di

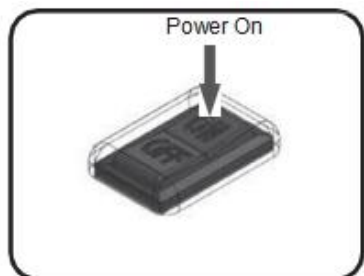
alimentazione.



10. Ruotare la punta di spruzzatura dell'ugello (P) in modo che la freccia punti verso la parte anteriore della pistola.



11. Posizionare l'interruttore ON/OFF (B) in posizione ON.



## **PULIZIA**

### **AVVISO**

**PULITO DOPO UTILIZZO A IMPEDIRE PERMANENTE  
DANNO A IL SPRUZZATORE.**

**NON RESTITUISCE ACCETTATO & GARANZIA VUOTO SE SPRUZZATORE È  
NON PULIRE ADEGUATAMENTE IMMEDIATAMENTE DOPO OGNI UTILIZZO.**

## **UTILIZZARE IL FLUIDO DETERGENTE CORRETTO**

Se la dipingere l'essere usato era acqua base (acrilico colore), utilizzo SOLTANTO ACQUA Quando eseguendo IL pulizia procedura.

**NOTE**• UTILIZZO A BASE SOLVENTE FLUIDO DETERGENTE SU A BASE D'ACQUA VERNICI VOLERE RISULTATO IN UN SOSTANZA QUELLO VOLERE ESSERE ESTREMAMENTE DIFFICILE A PULITO.

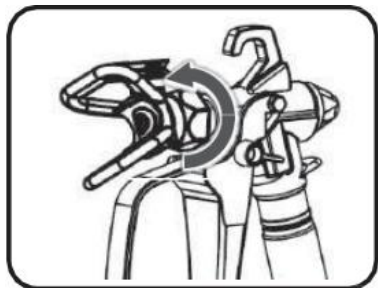
Se IL colore O Rivestimento Materiale essendo usato era a base di olio (smalto colore, lacca, ecc.), fare riferimento a IL Rivestimento materiale etichetta O Scheda di sicurezza A determinare cosa solvente A utilizzo. Questi a base di solvente pulizia fluidi sono sicuri da usare In IL senz'aria spruzzatore:

- Minerale Trementina
- Colore Più sottile

## **PULIZIA DELLO SPRUZZATORE**

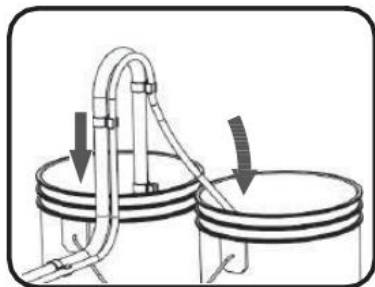
1. Iniziare a pulire lo spruzzatore IMMEDIATAMENTE dopo l'uso seguendo la PROCEDURA DI RILASCIO DELLA PRESSIONE al punto 9.

2. Utilizzare una chiave per rimuovere la protezione della punta dell'ugello (Q) e l'ugello di spruzzatura dell'ugello (P) dalla pistola e inserirli nel liquido detergente.

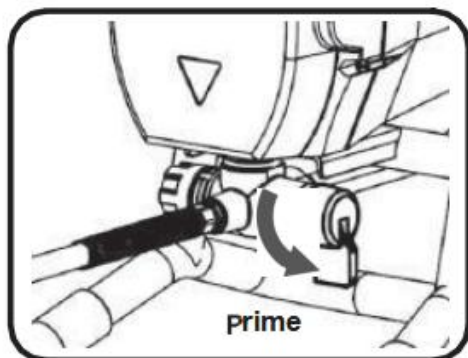


3. Separare il tubo di uscita del primer (H) dal tubo di aspirazione (J). Posizionare il tubo di uscita del primer

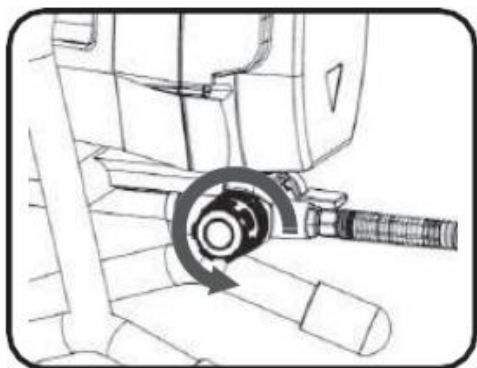
(H) in un secchio per rifiuti e il tubo di aspirazione con filtro di ingresso (K) in un secchio contenente acqua o solvente di lavaggio (leggere la sezione intitolata UTILIZZARE IL FLUIDO DETERGENTE CORRETTO discussa sopra) .



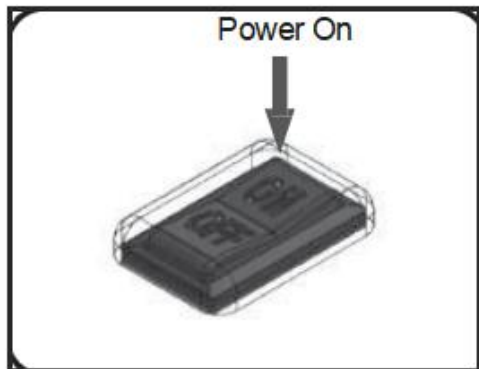
4. Controllare che l'interruttore di spruzzatura/adescamento (F) sia nella posizione di adescamento.



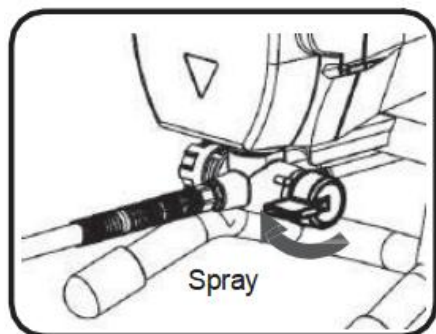
5. Impostare la manopola di controllo della pressione (D) sulla posizione Adescamento/Pulizia.



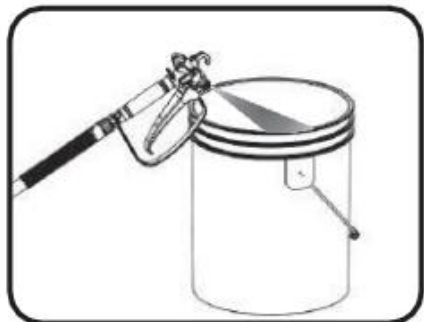
6. Posizionare l'interruttore ON/OFF (B) in posizione ON.



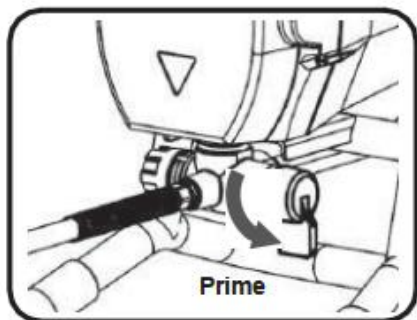
7. Una volta che un flusso costante di liquido detergente fuoriesce dal tubo di uscita del primer (H), ruotare l'interruttore Spray/Adescamento (F) in posizione Spray.



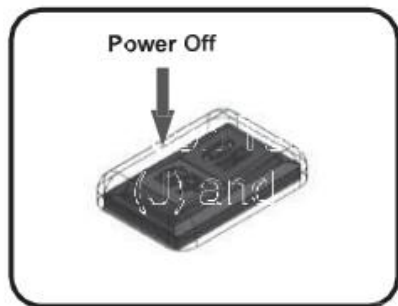
8. Puntare la pistola a spruzzo nel secchio dei rifiuti tenendo saldamente qualsiasi parte metallica della pistola a spruzzo sul lato del secchio per mantenere la continuità di terra della pistola e del secchio, quindi azionare il grilletto finché l'unico fluido che esce dalla pistola è il fluido detergente .



9. Portare l'interruttore di spruzzatura/adescamento (F) in posizione di adescamento, quindi ripetere i passaggi 7 e 8 finché dallo spruzzatore non esce solo il liquido detergente.



10. Posizionare l'interruttore ON/OFF (B) in posizione OFF e scollegare il cavo di alimentazione.

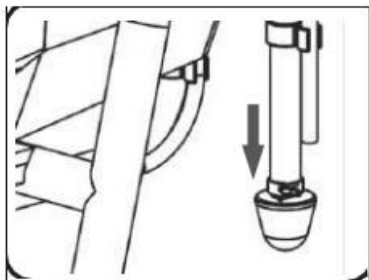


## **PULIZIA DEL TUBO DI ALIMENTAZIONE**

3. Rimuovere lo schermo (K) dal tubo di aspirazione (J) allentando la fascetta

stringitubo e allontanandolo dal filtro.

2. Estrarre il retino di ingresso (K) e sciacquarlo utilizzando il liquido detergente appropriato.

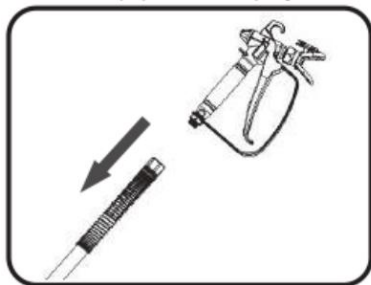


3. Se non è possibile pulire il retino di ingresso (K), sostituirlo con un nuovo retino di ingresso.

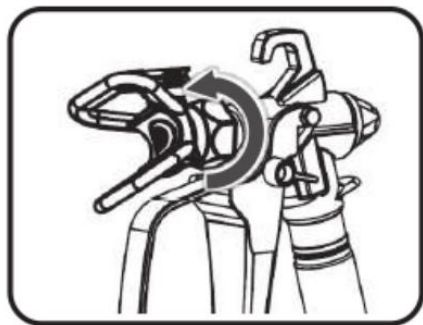
### **PULIZIA DELLA PISTOLA A SPRUZZO**

1. Seguire la PROCEDURA DI RILASCIO DELLA PRESSIONE al punto 9.

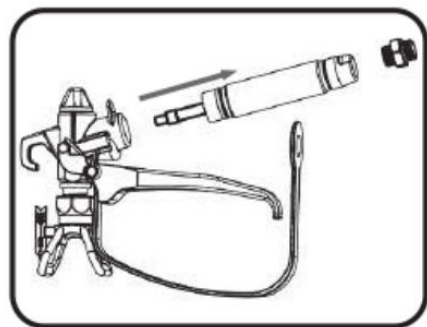
2. Utilizzare un paio di chiavi e rimuovere il tubo ad alta pressione (M) dalla pistola a spruzzo.



3. Utilizzare una chiave per rimuovere la protezione dell'ugello (Q) e l'ugello di spruzzatura (P) dalla pistola e inserirli nel liquido detergente.



4. Utilizzare un paio di chiavi e rimuovere la porta di ingresso (V) dalla pistola.
5. Allontanare la protezione dell'impugnatura e utilizzare una chiave per rimuovere l'impugnatura (T) dal corpo superiore della pistola a spruzzo.



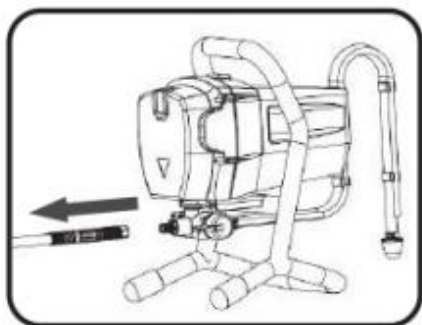
6. Rimuovere il filtro a rete dall'interno dell'impugnatura (T) e inserirlo nel liquido detergente.
7. Utilizzare una spazzola morbida per pulire tutti i componenti nel liquido detergente.
8. Una volta completata la pulizia, rimontare la pistola a spruzzo.

## **CONSERVARE LO SPRUZZATORE**

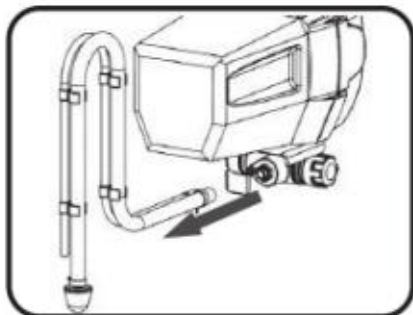
È molto importante che lo spruzzatore NON venga conservato con acqua o materiali a base di acqua all'interno della pompa, del tubo flessibile, dei tubi o della pistola a spruzzo. L'acqua rimanente all'interno di questi articoli causerà corrosione e li danneggerà. Seguire queste procedure per conservare lo spruzzatore.



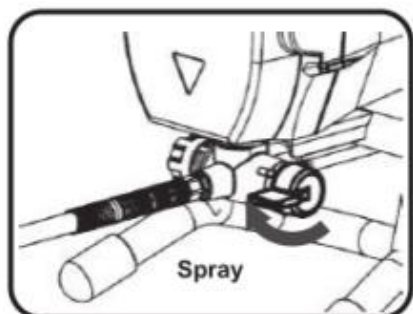
9. Prima di riporre lo spruzzatore, seguire i passaggi per la pulizia dello spruzzatore e della pistola a spruzzo.



10. Rimuovere il tubo ad alta pressione dallo spruzzatore.



11. Rimuovere il tubo di uscita del primer (H) e il tubo di aspirazione (J) con il retino di ingresso (K) dalla pompa.

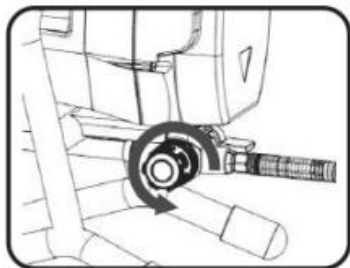


12. Con lo spruzzatore capovolto, aggiungere un'oncia (30 ml) di olio leggero multiuso per macchine come olio per macchine da cucire o olio ISO 22 sia nel tubo di aspirazione (J) che nel tubo di uscita del primer (H).

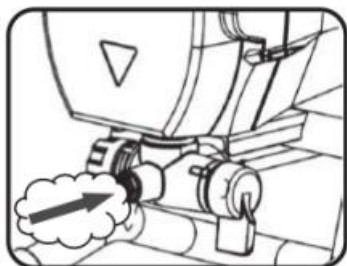
5. Impostare l'interruttore di spruzzatura/adescamento (F) sulla posizione di

spruzzatura.

6. Impostare la manopola di controllo della pressione (D) sulla posizione di spruzzo basso.



7. Utilizzare uno straccio per coprire la porta di uscita (E).



8. Posizionare l'interruttore ON/OFF (B) in posizione ON per CINQUE SECONDI, quindi posizionare l'interruttore ON/OFF (B) in posizione OFF.



9. Impostare l'interruttore di spruzzatura/adescamento (F) sulla posizione di adescamento per garantire che l'olio rimanga nel sistema durante la conservazione.


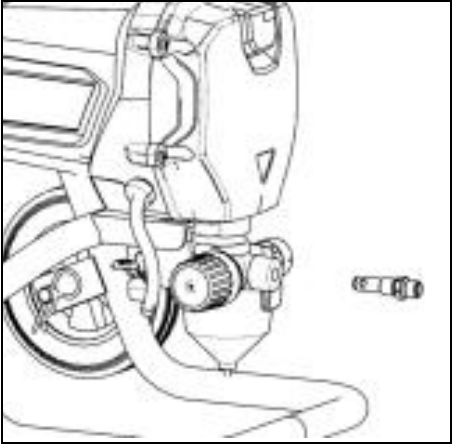

10. Riposizionare il tubo di uscita del primer (H) e il tubo di aspirazione (J) sulla pompa.

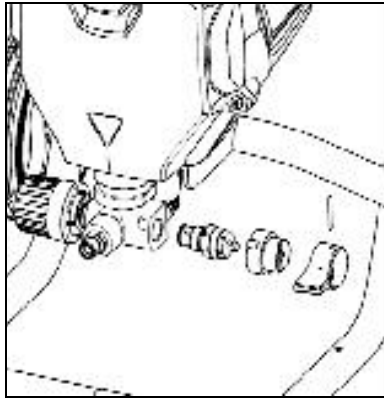
11. Pulire lo spruzzatore con un panno pulito e conservarlo fuori dalla portata dei bambini.

### **Suggerimenti per lo spruzzo**

Pulisci sempre le punte con un liquido detergente compatibile e poi spazzolale spruzzatura. Gli ugelli potrebbero richiedere la sostituzione dopo 57 litri (15 galloni) oppure potrebbero durare fino a 227 litri (60 galloni) a seconda dell'abrasività della vernice.

Elenco delle parti di ricambio

ARTICOLO	Parte	Come multare le parti
1	Gruppo valvola di scarico 	Utilizzare una chiave per svitare il gruppo della valvola di scarico 
2	Gruppo valvola limitatrice di 	Estrarre il perno cilindrico, rimuovere la manopola dell'interruttore e la sede dell'interruttore, quindi utilizzare una chiave regolabile per svitare il gruppo della valvola limitatrice di pressione.

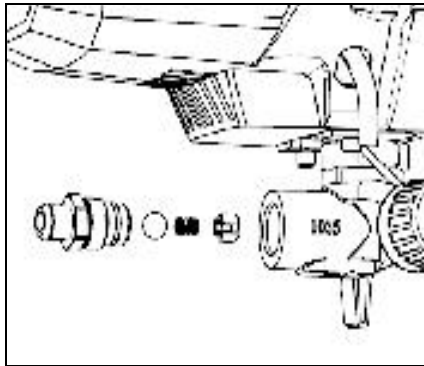


3

Gruppo valvola di alimentazione



Rimuovere il gruppo del tubo di alimentazione collegato, quindi svitare il tappo della vite di alimentazione con la chiave regolabile ed estrarre la sfera in acciaio della valvola di alimentazione, la molla di alimentazione e la sede della molla di alimentazione.

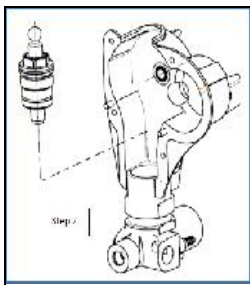
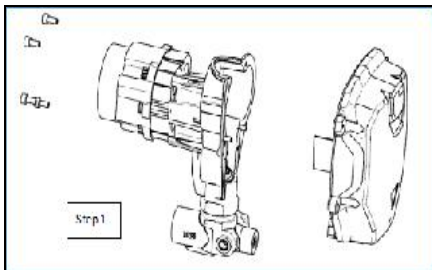


4

### Gruppo stantuffo



1. Utilizzare la chiave esagonale sul lato opposto 5 per svitare le 4 viti esagonali per separare il corpo della pompa e il coperchio della pompa.
2. Utilizzare il manicotto di estensione sul lato opposto 22 per rimuovere il gruppo dello stantuffo.

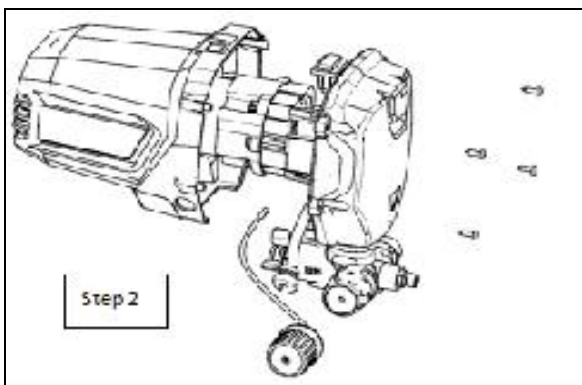
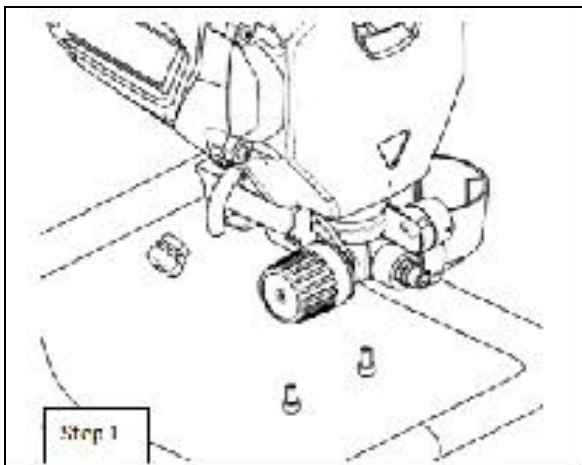


5

Gruppo valvola limitatrice di pressione



3. Togliere il cavo di alimentazione senza staccarlo, svitare le due viti nella parte inferiore e rimuovere la testa della pompa dal telaio.  
2. Svitare le quattro viti autofilettanti sul coperchio della pompa e separare l'alloggiamento posteriore e il coperchio della pompa. Scollegare il cavo della valvola del regolatore di pressione. Ruotare la valvola di regolazione della pressione in senso antiorario per esporre la superficie a baionetta e utilizzare una chiave regolabile per svitare il gruppo della valvola limitatrice di pressione.



### **Compatibilità dei materiali : materiali e vernici utilizzabili**

**MATERIALE A BASE ACQUA:** tutti gli spruzzatori POSSONO essere utilizzati con materiali interni ed esterni a base acqua. Prima di spruzzare materiali a base d'acqua, sciacquare lo spruzzatore con acqua.

Esempio: legno laccato, lattice, macchie...

**MATERIALI A BASE DI OLIO:** tutti gli spruzzatori POSSONO essere utilizzati con materiali interni ed esterni a base di olio. L'etichetta del materiale indica COMBUSTIBILE e che può essere pulito con acqua ragia minerale o diluente per vernici. Prima di spruzzare con materiali a base di olio, sciacquare lo spruzzatore con acqua ragia minerale.

Esempio: acrilici, vernici decorative...

### **Compatibilità dei materiali : materiali e vernici che non possono essere utilizzati**

#### **MATERIALE INFIAMMABILE A BASE SOLVENTE**

**MATERIALI TROPPO SPESSI:** richiede uno spruzzatore airless o per texture commerciale più grande

- Ripristino della copertura e del calcestruzzo
- Elastomerico
- Rivestimento del tetto: sigillante, vernice o primer
- Epossidico per calcestruzzo o materiali mono o bicomponenti a rapida essiccazione
- Materiale bicomponente come primer adesivo, vernice per pavimenti di garage
- Sigillante per vialetti
- Materiale strutturato o riempito di sabbia
- Gesso
- Materiali che includono pietra calcarea, vetro, argilla, quarzo come muratura speciale, stucco, vernice per mattoni
- Vernice metallizzata
- Vernice o primer magnetico

#### **MATERIALI PERICOLOSI**

- Sverniciatore e smacchiatore

- Candeggina o qualsiasi materiale che contenga candeggina
- Erbicida
- Insetticida o pesticida
- Disinfettante

## **MANUTENZIONE E RIPARAZIONE**

### **MANUTENZIONE GIORNALIERA**

La vita dell'attrezzatura è direttamente correlata alla qualità della manutenzione. Seguire queste linee guida per garantire una lunga durata dell'apparecchiatura. Seguire sempre la procedura di pulizia immediatamente dopo l'uso. La vernice o l'acqua rimaste nell'apparecchiatura causeranno ostruzioni o corrosione che impediranno il funzionamento dell'unità.

Utilizzare la procedura di scarico della pressione durante lo spegnimento, la regolazione, la manutenzione o la riparazione.

Assicuratevi che voi o un altro operatore abbiate letto e compreso questo manuale prima di utilizzare l'attrezzatura.

Avvolgere il tubo ad alta pressione dopo la pulizia per evitare danni.

Aggiungere periodicamente allo spruzzatore olio leggero multiuso per macchine, ad esempio olio per macchine da cucire o olio ISO 22, come descritto nella sezione intitolata Conservazione dello spruzzatore, se viene riposto per un lungo periodo.

### **RIPARAZIONE**

- Far riparare l'utensile elettrico da un tecnico qualificato utilizzando solo parti di ricambio identiche. Ciò garantirà il mantenimento della sicurezza dell'utensile elettrico.
- Mantenere tutte le viti, i dadi, le rondelle, le guarnizioni e i raccordi elettrici rimossi durante la riparazione. Queste parti solitamente non vengono fornite con i kit di sostituzione.
- Consultare la sezione intitolata Risoluzione dei problemi per identificare eventuali problemi.
- Non utilizzare lo spruzzatore senza la protezione del motore in posizione. Sostituirlo se danneggiato. La copertura del motore dirige l'aria di raffreddamento attorno al motore per evitare il surriscaldamento e isola la scheda di controllo per evitare shock accidentali.



## CAUTION

- Do not run the sprayer dry for more than 30 seconds. Doing so could damage the pump packing **seals**.
- Protect the internal drive parts of the sprayer from water. Openings in the cover allow for air cooling of both the mechanical parts and electronics. If water enters these openings, the sprayer may malfunction or be permanently damaged.
- Prevent corrosion or freezing of the pump to avoid damage. Fluids that freeze within the sprayer or High-Pressure hose will cause permanent damage. Always store the sprayer with a multi-purpose light machine oil such as sewing machine oil or ISO 22 oil added to the sprayer pump as described in the section titled Storing the Sprayer.

## SELEZIONE UGELLI

Gli ugelli di spruzzatura sono numerati in modo che:

### SELEZIONE UGELLI

- La prima cifra, moltiplicata per due, fornisce l'ampiezza dello spruzzo in pollici (con l'ugello a 30 cm di distanza dalla superficie da spruzzare).
- Le ultime due cifre specificano la dimensione dell'orifizio in migliaia di pollici (Nota: un orifizio più grande aumenta il flusso di vernice).
- Di seguito sono consigliate le dimensioni dell'orifizio dell'ugello di spruzzatura per vari tipi di materiali di rivestimento: Lacca e mordente: 0,007" — 0,013"  
Smalto: 0,011" — 0,015" Acrilico: 0,015" — 0,021"

**UGELLO SPRAY MANCIA SELEZIONE GRAFICO**

Orifizio Misurare (Pollici)

Spray Larghezza (Pollici)		0,007"	0,009"	0,011"	0,013"	0,015"	0,017"	0,019"	0,021"	0,023"	0,025"	0,027"	0,029"	0,031"	0,033"	0,035"
	2-4 _	107	109	111	113	115	117	119	121				129			
	4-6 _		209	211	213	215	217	219	221		225	227	229	231		235
	6-8 _	307	309	311	313	315	317	319	321	323	325	327	329	331	333	335
	8-10 _		409	411	413	415	417	419	421	423	425	427	429	431	433	435
	10-12 _		509	511	513	515	517	519	521	523	525	527	529	531	533	535
	12-14 _		609	611	613	615	617	619	621	623	625	627	629	631	633	635
	14-16 _			711	713	715	717	719	721	723	725	727	729	731	733	735
	16-18 _				813	815	817	819	821	823	825	827	829	831	833	835
	18-20 _									923		927		931	933	935

## RISOLUZIONE DEI PROBLEMI

<b>Problema</b>	<b>Causa</b>	<b>Soluzione</b>
Energia interruttore È SU, E spruzzatore È collegato In, Ma il motore fa non correre e pompare non va in bicicletta.	Pressione Controllo Pomello È impostato A pressione nulla.	Giro Pressione Controllo Pomello senso orario A aumentare l'impostazione della pressione.
	Il motore O controllo È danneggiato.	Avere IL spruzzatore servito di UN qualificato persona riparatrice.
	Elettrico presa È non fornendo energia.	Prova un sbocco diverso O testare il presa con un altro apparecchio o circuito tester. Ripristina IL circuito interruttore o sostituisci il fusibile.
	Estensione cordone È danneggiato.	Sostituire IL prolunga.
	Spruzzatore elettrico cordone È danneggiato.	Scollegare IL cavo dello spruzzatore E controllo per isolamento rotto O fili. Sostituire Se danneggiato.

	<p>Colore e/o acqua È congelato O si è indurito nella pompa.</p>	<p>Scollegare lo spruzzatore dalla presa. Se congelato, non tentare di avviare lo spruzzatore Fino a Esso È completamente scongelato O IL il motore, scheda di controllo e/o trasmissione Essere permanentemente danneggiato.</p> <p>Garantire IL energia interruttore È SPENTO, posto IL spruzzatore In UN Caldo la zona per parecchi ore, Poi tappo In IL energia cordone E accendere lo spruzzatore. Lentamente aumento pressione collocamento A Vedere Se IL il motore Volere inizio. Se colore ha indurito IL spruzzatore, il pompa guarnizioni di tenuta, valvole, trasmissione, e/o il pressostato lo faranno bisogno di essere sostituito. Avere IL spruzzatore servito di UN persona qualificata per le riparazioni.</p>
Pompa non primo.	<p>Spruzzare/primerizzare Interruttore È In Spray posizione.</p>	<p>Giro Interruttore di spruzzatura/adescamento A Primo posizione (indicando giù)</p>
	<p>Lo schermo di ingresso è ostruito, o aspirazione tubo È non immersa.</p>	<p>Pulito detriti da ingresso schermo E Fare Sicuro IL aspirazione tubo È immersa In fluido.</p>
	<p>Pompa era non innescato con acqua o fluido di lavaggio a base di solvente.</p>	<p>Rimuovere l'aspirazione tubo da colore. Primo IL pompa con il fluido di lavaggio corretto.</p>
	<p>Ingresso valvola controllo palla È incollato.</p>	<p>Rimuovere l'aspirazione tubo e posizionare a matita in IL sezione di ingresso A sloggiare IL palla, permettendo IL pompa A primo correttamente.</p>
	<p>Ingresso valvola controllo palla O posto a sedere È sporco.</p>	<p>Rimuovere ingresso raccordo. Pulito o sostituisci il palla e sedile.</p>
	<p>Presa controllo palla O posto a sedere È sporco.</p>	<p>Rimuovere IL presa raccordo. Pulito O sostituire la palla e il sedile.</p>

Aspirazione tubo È perdite.	Stringere IL aspirazione tubo connessione. Ispezionare per crepe o vuoto perdite.
Fluidi Sono viscoso O appiccicoso.	Alcuni fluidi Maggio primo Più veloce Se IL Energia L'interruttore è momentaneamente spento, quindi il pompa Potere lento E fermare. Ripeti diversi volte se necessario.

<b>Problema</b>	<b>Causa</b>	<b>Soluzione</b>
Pompa cicli Ma fa non costruire su pressione.	Pompa È non innescato.	Primo IL pompa.
	Ingresso schermo È intasato	Pulire i detriti dallo schermo di ingresso e Fare Sicuro IL aspirazione tubo È immersa In fluido.
	Aspirazione tubo È non immersa In colore.	Fare Sicuro IL aspirazione tubo È immersa In la vernice.
	Aspirazione tubo È perdite.	Stringere il collegamento del tubo di aspirazione. Ispezionare il tubo per eventuali crepe o vuoto perdite. Se rotto o danneggiato, sostituire IL aspirazione tubo.
	Spruzzare/primerizzare Valvola È logoro O ostruito da detriti.	Avere IL spruzzatore servito da UN qualificato persona riparatrice.
	Ingresso valvola controllo palla È incollato.	Rimuovere il tubo di aspirazione e posizionare a matita in IL sezione di ingresso A sloggiare IL palla, permettendo IL pompa A primo correttamente.
	Ingresso valvola controllo palla O posto a sedere È sporco.	Rimuovere ingresso raccordo. Pulito o sostituisci il palla e sedile.
	Presenza controllo palla O posto a sedere È sporco.	Rimuovere IL presa raccordo. Pulito O sostituire la palla e il sedile.

<p>La pompa esegue cicli ma vernicia solo dribbling O spruzzi Quando IL spray la pistola viene attivata.</p>	<p>Pressione impostato pure Basso.</p>	<p>Lentamente giro IL Pressione Controllo Pomello senso orario A aumento pressione collocamento.</p>
	<p>Ugello Spray Mancina È intasato.</p>	<p>Sbloccare IL Ugello Punta di spruzzo .</p>
	<p>Spray pistola filtro È intasato.</p>	<p>Pulito o sostituire IL filtro In IL spray pistola.</p>
	<p>Ugello Spray Mancina È troppo grande O WOITI.</p>	<p>Sostituire IL Ugello Punta di spruzzo .</p>
<p>Pressione È impostato A massimo Ma non è possibile ottenere una buona spruzzatura modello.</p>	<p>Ugello Spray Mancina È In IL Sbloccare posizione.</p>	<p>Alleviare pressione E ruotare IL Ugello Spray Mancina COSÌ IL freccia È puntando lontano dalla maniglia.</p>
	<p>Ugello Spray Mancina È pure grande per la vernice che viene spruzzata.</p>	<p>Selezionare UN più piccola Ugello Spray Mancina.</p>
	<p>Spruzzo dell'ugello Mancina È logoro.</p>	<p>Sostituire IL Ugello Punta di spruzzo .</p>
	<p>Estensione cordone È pure lungo O non calibro abbastanza pesante.</p>	<p>Sostituire IL estensione cordone con UN 12 AWG cordone.</p>
	<p>Spray pistola fluido filtro È intasato.</p>	<p>Pulito O sostituire IL spray pistola fluido filtro.</p>
	<p>Ingresso schermo È intasato.</p>	<p>Pulito detriti da ingresso schermo.</p>

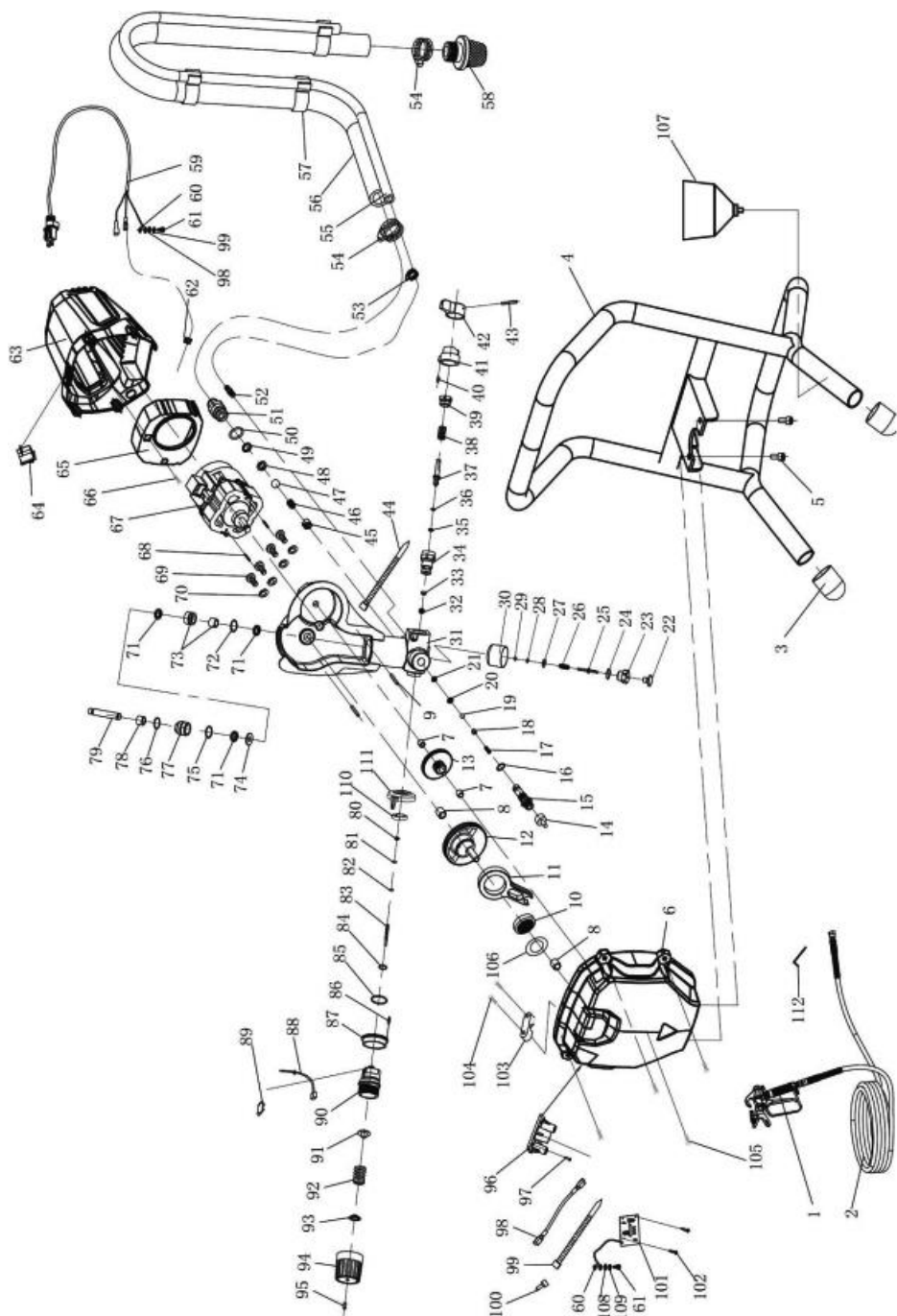
	Pompa valvole Sono logoro, O detriti sta intasando le valvole.	A controllo per logoro pompa valvole: Primo IL spruzzatore con vernice. Attiva la pistola momentaneamente. Wgallina IL grilletto È rilasciato, la pompa dovrebbe funzionare momentaneamente e fermare. Se Esso continua A ciclo, Poi IL pompa valvola può essere indossato.
	Materiale della vernice È pure spesso.	Magro IL colore Materiale.
	Alto pressione tubo flessibile È pure lungo.	Se un altro tubo flessibile sezione ha stato aggiunto, rimuovere la prolunga del tubo.
<b>Problema</b>	<b>Causa</b>	<b>Soluzione</b>
Spray pistola fermato spruzzatura.	Aspirazione tubo È perdite.	Stringere il aspirazione tubo connessione. Ispezionare IL tubo per crepe O vuoto perdite.
	Ugello Spray Mancina È intasato.	Sbloccare IL Ugello Punta di spruzzo .
Colore corre giù IL parete O cedimenti.	Cappotto È andando SU pure spesso.	Mossa IL pistola Più veloce. Scegliere UN Ugello Spray Mancina con UN più piccola orifizio. Scegliere UN Ugello Spray Mancina con UN più ampio fan. Garantire UN sufficiente distanza (1 piede O 30 cm) dalla pistola al dipinto superficie.

<p>Copertura È pure magro O spruzzato la vernice è inadeguata.</p>	<p>Cappotto È andando SU pure magro.</p>	<p>Mossa IL pistola Più lentamente. Scegliere un ugello Spray Suggerimento con UN più grandi orifizio. Scegliere UN Ugello Spray Mancias con UN ventola più stretta. Garantire UN sufficiente distanza (1 piede O 30 cm) dalla pistola al dipinto superficie.</p>
<p>Fan modello varia drammaticamente Mentre spruzzatura. O Spruzzatore fa non giro SU tempestivamente Quando riprendendo spruzzatura.</p>	<p>La manopola di controllo della pressione è logoro E causando eccessivo pressione variazione.</p>	<p>Avere IL spruzzatore revisionato di UN qualificato persona riparatrice.</p>
<p>Impossibile attivare IL spray pistola.</p>	<p>Spray pistola grilletto serratura È bloccato.</p>	<p>Ruotare IL sicurezza del grilletto leva a IL sbloccare posizione.</p>
<p>Colore È in arrivo fuori Di IL manopola di controllo della pressione.</p>	<p>Pressione Controllo Pomello È logoro.</p>	<p>Avere IL spruzzatore servito da UN qualificato persona riparatrice.</p>
<p>La valvola di spruzzatura/adescamento si attiva automaticamente alleviare pressione Attraverso IL Produzione Primo Tubo.</p>	<p>Sistema È sovrapressurizzato.</p>	<p>Avere IL spruzzatore revisionato di UN qualificato persona riparatrice.</p>

Colore perdite giù IL al di fuori Di IL pompa.	Pompa Imballaggio i sigilli hanno logoro.	Sostituire la pompa Imballaggio foche.
Il motore è caldo e funziona in modo intermittente. Il motore automaticamente chiude spento dovuto A calore eccessivo. Danno Potere verificarsi Se causa È non corretto.	Sfogo buchi In il motore allegato sono tappati o lo spruzzatore è coperto.	Mantenere sfogo buchi chiaro Di ostacoli e spruzzatura eccessiva, e tieni lo spruzzatore scoperto e aperto all'aria.
	Estensione cordone È pure lungo O non calibro abbastanza pesante.	Sostituire IL estensione cordone con UN 12 AWG cordone.
	Non regolamentato elettrico Generatore in uso è eccessivo voltaggio.	Utilizzo UN elettrico Generatore con UN corretto regolatore di tensione. Lo spruzzatore richiede a 120 V CA, 60 Hz, Generatore da 1500 Watt.

## SCHEMA PARTI





## ELENCO DELLE PARTI

NO.	Descrizione	NO.	Descrizione	NO.	Descrizione	NO.	Descrizione
1	Senza aria Spray Pistola	34	Premere. Sollievo Sede della valvola	67	Il motore Assemblea	100	Chiusura Squillo
2	Alto Pressione Tubo flessibile	35	O-ring, 5 X 1.8	68	Spillo, 3 x12	101	PCB Assemblea
3	Piede Pastiglie	36	Squillo	69	Esadecimale Bullone, SM X 14	102	Se stesso Toccano Vite
4	Base Telaio	37	Premere. Sollievo Valvola Lancia	/ O	Primavera Rondella, M5	103	Linea di base Piatto
5	Esadecimale Bullone, M6 X 25	38	Primavera	71	Composito Conservazione Squillo	104	Bullone, M4 X 20
6	Copertura della pompa	39	Primavera Posto a sedere	72	O-ring, 22.5 X 1.8	105	Bullone, M4.8 x16 -
7	Sm Ottone Boccola	40	Spillo, 3 x8	73	Trappola	106	Rullo Brg. Cvr.
8	Lg Ottone Boccola	41	Interruttore Posto a sedere	74	Piatto Rondella	107	Imbuto
9	Spillo, 5 X 12	42	Interruttore Pomello	75	Foca Squillo	108	Piatto Rondella, M4
10	Rullo Cuscinetto	43	Spillo, 2.5 x25	76	O-ring, 26.5 X 1.8	109	Primavera Rondella, M4
11	Connessione Asta	44	Nylon Cavo Cravatta	77	Stantuffo Posto a sedere	110	Premere. Ctl. Guarnizione
12	Manovella Ingranaggio	45	Ingresso Primavera Titolare	78	Guida Guaina	111	Premere. Ctl. Indicatore Squillo
13	Grappolo Ingranaggio	46	Ingresso Primavera	79	Pistone		
14	Filo Protettore	47	Acciaio Palla, 12.7	80	Serratura Manica		
15	Scarico Sede della valvola	48	Ingresso Foca	81	Rinforzata Foca		

16	0-anello, 10 volte 8	49	Ingresso Rondella	82	Bianco Foca		
17	Produzione primavera	50	0-anello, 17x1,8	83	Interruttore Lancia		
18	Mandrino	51	Ingresso Porta	84	O-ring, 8.8 X 1.9		
19	Acciaio Palla, 6.4	52	Premere. Sollievo Tappo	85	O-ring, 27 X 2.4		
20	SigilloSede	53	Sm Tubo flessibile MORSETTO	86	Bullone, M3 X 10		
21	Produzione Rondella	54	Lg Tubo flessibile MORSETTO	87	FINE Cap		
22	Premi il bottone	55	Primer Produzione Tubo	88	Microinterruttore Ass.		
23	Premi il bottone Primavera	56	Aspirazione Tubo	89	Coperchio microinterruttore		
24	0-anello, 10 volte 1.5	57	Fascetta per tubo	90	Premere. Ctl. Posto a sedere Inserire		
25	Premi il bottone Lancia	58	Ingresso Schermo Ass.	91	Limite di deflazione		
26	Premi il bottone Primavera	59	Cavo di alimentazione	92	Premere. Ctl. Primavera		
27	Ottone Distanziatore	60	Dado di bloccaggio	93	Primavera Posto a sedere		
28	Conservazione Squillo	61	Vite, M4 X 8	94	Premere. Ctl. Pomello		
29	O-ring 2.4 X 1.8	62	Cavo Sottoporre a tensione Sollievo	95	Premere. Ctl. Vite		
30	Premi il bottone Alloggiamento	63	Il motore Alloggiamento	96	PCB Supporto Brkt.		
31	Pompa	64	Energia Interruttore	97	Bullone, M4 x10 _		

	Alloggiamento					
32	Plastica Rondella	65	Fan Sindone	98	Filo Connettore	
33	Plastica Rondella	66	Bullone, 2 x16	99	Nylon Cavo Cravatta	

**Indirizzo:** Baoshanqu Shuangchenglu 803long 11hao 1602A-1609shi Shanghai

**Importato in AUS:** SIHAO PTY LTD . 1 ROKEVA STREETEASTWOOD NSW  
2122 Australia

**Importato negli Stati Uniti:** Sanven Technology Ltd. Suite 250, 9166 Anaheim  
Place, Rancho Cucamonga, CA 91730

<b>EC</b>	<b>REP</b>	SHUNSHUN GmbH Römeräcker 9 Z2021,76351 Linkenheim-Hochstetten, Germany
-----------	------------	--

<b>UK</b>	<b>REP</b>	Pooledas Group Ltd Unit 5 Albert Edward House, The Pavilions Preston, United Kingdom
-----------	------------	--

**Made in China**

**VEVOR<sup>®</sup>**

**TOUGH TOOLS, HALF PRICE**

**Tecnico Supporto e certificato di garanzia elettronica**

**[www.vevor.com/support](http://www.vevor.com/support)**

# **VEVOR<sup>®</sup>**

**TOUGH TOOLS, HALF PRICE**

Techniczny Certyfikat wsparcia i e-gwarancji [www.vevor.com/support](http://www.vevor.com/support)

## **Wysokociśnieniowy, bezpowietrzny agregat do natryskiwania farby**

We continue to be committed to provide you tools with competitive price.

"Save Half", "Half Price" or any other similar expressions used by us only represents an estimate of savings you might benefit from buying certain tools with us compared to the major top brands and does not necessarily mean to cover all categories of tools offered by us. You are kindly reminded to verify carefully when you are placing an order with us if you are actually saving half in comparison with the top major brands.



# VEVOR<sup>®</sup>

TOUGH TOOLS, HALF PRICE

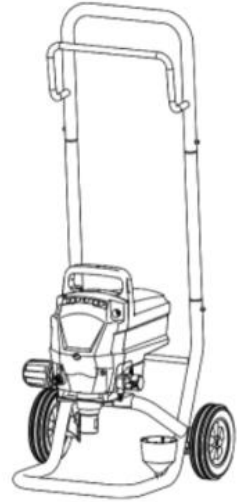
## HIGH PRESSURE AIRLESS PAINT SPRAYER



RP862 6



RP862 6 PLUS



### NEED HELP? CONTACT US!

Have product questions? Need technical support? Please feel free to contact us:

**Technical Support and E-Warranty Certificate**  
[www.vevor.com/support](http://www.vevor.com/support)

This is the original instruction, please read all manual instructions carefully before operating. VEVOR reserves a clear interpretation of our user manual. The appearance of the product shall be subject to the product you received. Please forgive us that we won't inform you again if there are any technology or software updates on our product.





## 7. Ważne instrukcje dotyczące bezpieczeństwa

Niniejsza instrukcja obsługi została stworzona dla Twojej korzyści. Proszę przeczytać i przestrzegać zasad bezpieczeństwa, instalacji i konserwacji oraz kroki rozwiązywania problemów opisane poniżej, aby zapewnić bezpieczeństwo i satysfakcję. Treść tej instrukcji opiera się na najnowszych informacjach o produkcie dostępnych w momencie publikacji. Wytwórca zastrzega sobie prawo do wprowadzania zmian w produkcie w dowolnym momencie i bez uprzedzenia.



Instrukcje bezpieczeństwa zawarte w tej instrukcji nie obejmują możliwych warunków i praktyk, które mogą wystąpić podczas obsługi, konserwacji i czyszczenia urządzeń zasilających.

Zawsze kieruj się zdrowym rozsądkiem i zwracaj szczególną uwagę na NIEBEZPIECZEŃSTWO, OSTRZEŻENIA, OSTROŻNOŚĆ i UWAGA stwierdzenia zawarte w tej instrukcji.

Zachowaj etykiety. Niosą ważne informacje. Etykieta narzędzia może zawierać następujące symbole. Symbole i ich definicje są następujące:

Symbol	Własność lub oświadczenie
	Ostrzeżenie — aby zmniejszyć ryzyko obrażeń, użytkownik musi uważnie przeczytać instrukcję obsługi. Przed użyciem tego produktu należy przeczytać i zrozumieć niniejszą instrukcję obsługi. niezastosowanie się do tego zalecenia może skutkować poważnymi obrażeniami lub śmiercią.
	<b>Symbol ostrzegawczy dotyczący bezpieczeństwa</b> Ten symbol, umieszczony przed uwagą dotyczącą bezpieczeństwa, oznacza rodzaj środka ostrożności, ostrzeżenia lub niebezpieczeństwa. Zignorowanie tego ostrzeżenia może prowadzić do wypadku. Aby zmniejszyć ryzyko obrażeń, pożaru lub porażenia prądem, należy zawsze postępować zgodnie z zaleceniami przedstawionymi poniżej.

	<b>Niebezpieczeństwo!</b> Ryzyko obrażeń ciała lub szkód dla środowiska! Ryzyko porażenia prądem! Ryzyko obrażeń ciała w wyniku porażenia prądem!
	Ostrzeżenie — podczas korzystania z tego produktu należy nosić ochroniacze uszu.
	Ostrzeżenie — podczas korzystania z tego produktu należy nosić okulary ochronne.
	Ostrzeżenie — podczas korzystania z tego produktu należy nosić maski przeciwpyłowe.
	Ostrzeżenie — podczas korzystania z tego produktu należy nosić rękawiczki.
	Ryzyko pożaru
	 Ryzyko eksplozji.
	  Ryzyko wstrzyknięcia pod skórę.
	 Ryzyko toksycznych oparów. Stosować wyłącznie w dobrze wentylowanych pomieszczeniach.
	Zagrożenie częściami aluminiowymi pod ciśnieniem.
	Unikaj źródeł zapłonu, takich jak zapalniczki, papierosy, lampy przenośne itp.
	Zredukuj ciśnienie w systemie.

	<p>Gorące powierzchnie/niebezpieczeństwo poparzenia.</p>
	<p><b>Informacje o utylizacji:</b>  Ten produkt podlega przepisom Dyrektywy Europejskiej 2012/19/EC. Symbol przekreślonego kosza na śmieci oznacza, że produkt wymaga selektywnej zbiórki śmieci na terenie Unii Europejskiej. Dotyczy to produktu i wszystkich akcesoriów oznaczonych tym symbolem. Produktów oznaczonych jako takie nie można wyrzucać razem ze zwykłymi odpadami domowymi, lecz należy je oddać do punktu zbiórki w celu recyklingu urządzeń elektrycznych i elektronicznych .</p>
V	Wolty
A	Ampery
Hz	Herc
W	Waty
~	Prąd przemienny (AC)
≡	Prąd stały (DC)
⎓	Prąd przemienny lub stały (AC/DC)
⊕	Terminal jedzenia
⊕	Konstrukcja klasy I (uziemia)
□	Konstrukcja klasy II (podwójna izolacja)
PSI	Funt na cal kwadratowy
MPa	Megapaskale
obr./min	Obroty na minutę

min	Minuty
S	sekundy

## OGÓLNE ZASADY BEZPIECZEŃSTWA

### ELEKTRONARZĘDZI

#### OSTRZEŻENIE

**PRZECZYTAJ WSZYSTKIE OSTRZEŻENIA DOTYCZĄCE BEZPIECZEŃSTWA I WSZYSTKIE INSTRUKCJE.** Niezastosowanie się do ostrzeżeń i instrukcji może spowodować porażenie prądem, pożar, eksplozję i/lub poważne obrażenia.

**ZACHOWAJ WSZYSTKIE OSTRZEŻENIA I INSTRUKCJE DO WYKORZYSTANIA W PRZYSZŁOŚCI.**

Termin „elektronarzędzie” występujący w ostrzeżeniach odnosi się do elektronarzędzia zasilanego z sieci (przewodowej).

#### W MIEJSCU PRACY

- Utrzymuj miejsce pracy w czystości i dobrze oświetlone. Zagraczone lub ciemne obszary zapraszają Wypadki
- Nie używaj elektronarzędzi w atmosferze zagrożonej wybuchem, na przykład w obecności łatwopalnych cieczy, gazów lub pyłów. Elektronarzędzia wytwarzają iskry, które mogą spowodować zapalenie pyłu lub oparów.
- Trzymaj dzieci i osoby postronne z daleka podczas obsługi elektronarzędzia. Rozproszenie uwagi może spowodować utratę kontroli.

#### OSOBISTE

- Zachowaj czujność, uważaj, co robisz i kieruj się zdrowym rozsądkiem podczas obsługi elektronarzędzia. Nie używaj elektronarzędzia, gdy jesteś zmęczony lub pod wpływem narkotyków, alkoholu lub leków. Chwila nieuwagi podczas obsługi elektronarzędzia może skutkować poważnymi obrażeniami ciała.
- Stosować środki ochrony osobistej. Zawsze noś okulary ochronne z bocznymi osłonami. Sprzęt ochronny, taki jak maski oddechowe, maski przeciwpyłowe, antypoślizgowe obuwie ochronne, kask i ochronniki słuchu

zmniejszą obrażenia ciała.

- **Zapobiegaj niezamierzonemu uruchomieniu.** Przed podłączeniem do źródła zasilania, podniesieniem lub przenoszeniem narzędzia upewnij się, że przełącznik znajduje się w pozycji wyłączonej . Przenoszenie elektronarzędzi z palcem na dłoni

- przełącznik lub elektronarzędzia zasilane energią z włączonym wyłącznikiem sprzyjają wypadkom.

- **Nie przesadzaj.** Zawsze utrzymuj właściwą postawę i równowagę, aby umożliwić lepszą kontrolę nad elektronarzędziem w nieoczekiwanych sytuacjach.

- **Ubierz się odpowiednio.** Nie noś luźnej odzieży ani biżuterii. Trzymaj włosy, odzież i rękawiczki z dala od ruchomych części. Luźne ubrania, biżuteria lub długie włosy mogą zostać wciągnięte przez ruchome części.

- **Utrzymuj uchwyty i powierzchnie chwytne suche i czyste i wolne od oleju i smaru.** Śliskie uchwyty i powierzchnie chwytne nie pozwalają na bezpieczną obsługę i kontrolę narzędzia w nieoczekiwanych sytuacjach.

- **Nie pozwól, aby znajomość nabyta podczas częstego korzystania z narzędzi pozwoliła Ci popaść w samozadowolenie i zignorować zasady bezpieczeństwa.** Nieostrożne działanie może spowodować poważne obrażenia w ułamku sekundy.

- **Ten produkt nie jest przeznaczony do użytku przez osoby (w tym dzieci), których zdolności fizyczne, sensoryczne lub umysłowe są inne lub ograniczone, lub które nie posiadają doświadczenia lub wiedzy, chyba że osoby te będą nadzorowane lub przeszkolone w zakresie obsługi urządzenia przez osobę odpowiedzialni za ich bezpieczeństwo.** Dzieci należy nadzorować , aby mieć pewność, że nie używają urządzenia jako zabawki.

#### UŻYWANIE I KONSERWACJA ELEKTRONARZĘDZI

- **PO KAŻDYM UŻYCIU CZYŚĆ SPRYSKIWACZ.**

- **Nie używaj elektronarzędzia na siłę.** Użyj odpowiedniego elektronarzędzia do swojego zastosowania. Właściwe elektronarzędzie wykona pracę lepiej i bezpieczniej, przy prędkości, do której zostało zaprojektowane.

- **Nie używaj elektronarzędzia, jeżeli włącznik go nie włącza i nie wyłącza.** Każde elektronarzędzie, którego nie można sterować za pomocą wyłącznika, jest niebezpieczne i należy je naprawić.

- **Odłącz wtyczkę od źródła zasilania przed dokonaniem jakichkolwiek**

regulacji, wymianą akcesoriów lub przechowywaniem elektronarzędzia. Takie zapobiegawcze środki bezpieczeństwa zmniejszają ryzyko przypadkowego uruchomienia elektronarzędzia.

- Nieużywane elektronarzędzie należy przechowywać poza zasięgiem dzieci i nie pozwalać osobom niezaznajomionym z elektronarzędziem lub niniejszą instrukcją obsługi elektronarzędzia. Elektronarzędzia są niebezpieczne w rękach nieprzeszkolonych użytkowników.
- Konserwuj elektronarzędzia. Sprawdź, czy ruchome części nie są wyrównane lub zakleszczone, czy nie są uszkodzone lub czy nie występują inne czynniki, które mogą mieć wpływ na działanie elektronarzędzia. Jeżeli jest uszkodzone, przed użyciem oddaj elektronarzędzie do naprawy. Wiele wypadków jest powodowanych przez źle konserwowane elektronarzędzia.

#### SERWISOWY

- **Używaj elektronarzędzia, akcesoriów, końcówek narzędziowych itp. zgodnie z niniejszą instrukcją, biorąc pod uwagę warunki pracy i pracę, która ma być wykonana.** Użycie elektronarzędzia do prac innych niż zamierzone może spowodować niebezpieczną sytuację.
- **Przed każdym użyciem sprawdź, czy części nie są uszkodzone.** Sprawdź, czy osłony działają prawidłowo i spełniają zamierzoną funkcję. Sprawdź wyrównanie ruchomych części, zapięcie ruchomych części, pęknięcie części, montaż i wszelkie inne warunki, które mogą mieć wpływ na jego działanie. Osłonę lub inną uszkodzoną część należy odpowiednio naprawić lub wymienić w autoryzowanym centrum serwisowym. Przestrzeganie tej zasady zmniejszy ryzyko porażenia prądem, pożaru lub poważnych obrażeń.
- **Okresowo sprawdzaj przewód elektronarzędzia, a jeśli jest uszkodzony,** może go wymienić wyłącznie producent lub autoryzowany serwis, aby uniknąć ryzyka. Przestrzeganie tej zasady zmniejszy ryzyko porażenia prądem lub pożaru.
- **Oddaj elektronarzędzie do naprawy wykwalifikowanemu serwisantowi, który używa wyłącznie identycznych części zamiennych.** Zapewni to zachowanie bezpieczeństwa elektronarzędzia.

## SZCZEGÓŁOWE OSTRZEŻENIA DOTYCZĄCE

# BEZPIECZEŃSTWA

## OSTRZEŻENIE

Urządzenie natryskowe nie jest przeznaczone do stosowania z materiałami łatwopalnymi lub palnymi używanymi w zastosowaniach przemysłowych lub stacjonarnych, takich jak fabryki lub lakiernie. Postępuj zgodnie ze wszystkimi obowiązującymi przepisami federalnymi, stanowymi lub prowincjonalnymi i przestrzegaj wymagań NFPA 33 i OSHA, jeśli są używane w tych zastosowaniach. Postępuj zgodnie ze wszystkimi obowiązującymi

### BEZPIECZEŃSTWO POŻAROWE

## ! NIEBEZPIECZEŃSTWO



**Aby zmniejszyć ryzyko pożaru lub eksplozji:**

- **Opary rozpuszczalników i farb są łatwopalne i mogą się zapalić lub eksplodować.** Używaj wyłącznie w dobrze wentylowanym pomieszczeniu i pozwól, aby świeże powietrze przepływało przez **miejsce** pracy. Zapewnij dobrą wentylację pompy i nie pryskaj zespołu pompy.
- **Opryskiwacz wytwarza iskry.** Jeżeli w opryskiwaczu lub w jego pobliżu używana jest łatwopalna ciecz albo do płukania lub czyszczenia, należy trzymać opryskiwacz w odległości co najmniej 20 stóp (6 m) od wybuchowych oparów.
- **Nie rozpylać materiałów łatwopalnych lub palnych w pobliżu otwartego płomienia lub źródeł zapłonu, takich jak podgrzewacze wody, papierosy, silniki i sprzęt elektryczny z lampkami kontrolnymi.** Używaj wyłącznie materiałów na bazie wody lub spirytusu mineralnego o temperaturze zapłonu wyższej niż 70°F (21°C).
- **Farba lub rozpuszczalnik przepływający przez urządzenie może spowodować wyładowanie elektrostatyczne.** Elektryczność statyczna stwarza ryzyko pożaru lub eksplozji w obecności opary farb lub rozpuszczalników . Wszystkie części

systemu natryskowego , w tym pompa, zespół węża, pistolet natryskowy oraz obiekty w obszarze natryskiwania i wokół niego powinny być odpowiednio uziemione w celu ochrony przed wyładowaniami statycznymi i iskrami. Należy używać wyłącznie przewodzących lub uziemionych wysokociśnieniowych węży do hydrodynamicznego natryskiwania farb, określonych przez producenta.

- **Zapobiegaj wyładowaniom statycznym, upewniając się, że wszystkie pojemniki i systemy zbierania są prawidłowo uziemione.**
- **Zawsze używaj uziemionego gniazdka i uziemionych przedłużaczy.** Nie używaj adaptera wtyczki 3 na 2.
- **Nie stosować farb ani rozpuszczalników zawierających węglowodory halogenowane.** Zapoznaj się ze składem natryskiwanych farb i rozpuszczalników. Przeczytaj wszystkie karty charakterystyki materiału (MSDS) i etykiety pojemników dołączone do farb i rozpuszczalników. Postępuj zgodnie z instrukcjami bezpieczeństwa producenta farb i rozpuszczalników.
- **Zawsze miej w pobliżu działającą gaśnicę.**
- **Nie palić w miejscu pracy.**
- **Nie używaj włączników świateł, silników ani podobnych produktów wytwarzających iskry w obszarze natryskiwania.**
- **Utrzymuj miejsce pracy w czystości i wolne od pojemników z farbą lub rozpuszczalnikami, szmat i innych materiałów łatwopalnych.**

## BEZPIECZEŃSTWO ELEKTRYCZNE

**! DANGER**



**Aby zmniejszyć ryzyko porażenia prądem:**

- **Ten produkt wymaga odpowiednio uziemionego gniazdka, aby zmniejszyć ryzyko**



**porażenia prądem.** Upewnij się, że gniazdko elektryczne jest prawidłowo uziemione, zgodnie ze wszystkimi lokalnymi przepisami i rozporządzeniami. Wtyczka i gniazdko powinny wyglądać jak te na rys. A. Jeśli instrukcje dotyczące uziemienia nie są zrozumiałe lub jeśli istnieją wątpliwości, czy urządzenie jest prawidłowo uziemione, skonsultuj się z wykwalifikowanym elektrykiem lub pracownikiem serwisu .

- **Nie modyfikuj wtyczki przewodu zasilającego dostarczonej z narzędziem.** Nigdy nie usuwaj bolca uziemiającego z wtyczki. Jeżeli wtyczka nie pasuje do gniazdka, wykwalifikowanemu elektrykowi zleć zainstalowanie odpowiedniego gniazdka.
- **Nie używaj narzędzia, jeśli przewód zasilający lub wtyczka są uszkodzone.** Jeżeli jest uszkodzony, przed użyciem należy go naprawić w warsztacie serwisowym.
- **Gniazdko musi pasować do wtyczki.** Nie należy używać żadnego rodzaju zasilacza z uziemioną wtyczką. Niezmodyfikowane wtyczki i pasujące gniazdzka zmniejszą ryzyko porażenia prądem.
- **Unikaj kontaktu ciała z uziemionymi powierzchniami, takimi jak rury, grzejniki, kuchenki i lodówki.** Istnieje zwiększone ryzyko porażenia prądem, jeśli ciało jest uziemione.
- **Nie wystawiaj tego produktu na działanie deszczu lub wilgoci.** Dostanie się wody do produktu zwiększa ryzyko porażenia prądem.
- **Jeśli potrzebny jest przedłużacz, użyj przewodu o przekroju minimum 12 AWG (2,5 mm), aby zapewnić odpowiednią ilość prądu dla narzędzia.** Zbyt mały rozmiar przewodu spowoduje spadek napięcia, co z kolei spowoduje utratę mocy i przegrzanie.
- **Używaj wyłącznie 3-żyłowego przedłużacza z wtyczką z uziemieniem, posiadającego prawidłowo uziemione gniazdko , które będzie pasować do wtyczki tego narzędzia.**



- **Wybierając wiadro z rozpuszczalnikiem do płukania, postępuj zgodnie z lokalnymi przepisami.** Należy używać wyłącznie przewodzących metalowych wiader

umieszczonych na uziemionej powierzchni, takiej jak beton. Nie umieszczaj wiadra na nieprzewodzącej powierzchni, takiej jak papier lub karton. Podłącz przewód uziemiający pomiędzy wiadrem a uziemieniem, np. metalową rurą. Podczas płukania lub usuwania ciśnienia, przytrzymaj metalową część pistoletu natryskowego do wiadra, aby zapewnić ciągłość z uziemieniem, a następnie natryskiwać.

## BEZPIECZEŃSTWO INIEKCJI SKÓRY BEZPIECZEŃSTWO



**W PRZYPADKU PRZYPADKOWEGO WTRYSKU NA SKÓRĘ NALEŻY NATYCHMIAST ZROBIĆ LECZENIE!** Rozpylony strumień lub wycieki pod wysokim ciśnieniem mogą przedostać się przez skórę, powodując poważne obrażenia lub śmierć.

**Aby zmniejszyć ryzyko wstrzyknięcia podskórnego:**

- **PRZED** włączeniem urządzenia sprawdź, czy wszystkie połączenia są dokręcone .
- Nie kieruj pistoletu ani sprayu na jakąkolwiek osobę ani zwierzę.
- Trzymaj ręce i inne części ciała z dala od końcówki natryskowej i wycieków. Nie próbuj zatrzymywać wycieków jakąkolwiek częścią ciała.
- **Zawsze używaj osłony końcówki dyszy.** Nigdy nie natryskiwać bez zamontowanej osłony końcówki dyszy.
- **Włącz blokadę spustu, gdy nie wykonujesz natryskiwania.** Sprzęt utrzymuje ciśnienie po wyłączeniu zasilania.
- **Przed każdym użyciem sprawdź węże i części pod kątem uszkodzeń.** Uszkodzony wąż lub części wymieniaj wyłącznie na oryginalne zamienniki.
- **Komponenty zamienne muszą mieć ciśnienie znamionowe nie mniejsze niż ciśnienie znamionowe pompy wynoszące 3000 PSI (205 barów).**

**! WARNING**



- **Zawsze postępuj zgodnie z Procedurą usuwania nadmiaru ciśnienia , aby wyłączyć i uwolnić ciśnienie. Nie pozostawiaj urządzenia pod napięciem lub pod ciśnieniem, bez nadzoru lub gdy nie jest używane.**
- **Zachowaj ostrożność podczas czyszczenia i wymiany węży, końcówek dysz, osłon końcówek lub podczas instalowania przedłużek.** Postępuj zgodnie z Procedurą usuwania nadmiaru ciśnienia , aby wyłączyć i uwolnić ciśnienie przed próbą zmiany.

**GORĄCEJ POWIERZCHNI BEZPIECZEŃSTWO**

**! WARNING**



Powierzchnie sprzętu i płyn pod ciśnieniem mogą się nagrzewać podczas pracy. Unikaj oparzeń, nie dotykając gorącego płynu ani sprzętu.

**BEZPIECZEŃSTWO**

**! WARNING**



**NIEWŁAŚCIWE UŻYCIĘ TEGO SPRZĘTU MOŻE SPOWODOWAĆ ŚMIERĆ LUB POWAŻNE OBRAŻENIA.**

- **Nie obsługuj urządzenia, gdy jesteś zmęczony lub osłabiony wpływem narkotyków lub alkoholu.**
- **Toksyczne płyny lub opary mogą spowodować poważne obrażenia lub śmierć w przypadku dostania się do oczu lub skóry, wdychania**

lub połknięcia. Zawsze noś osobisty sprzęt ochronny, w tym ochronę oczu, osłonę twarzy, ochronę słuchu i respirator lub twarz maska. Zawsze przeglądaj kartę charakterystyki i zapoznaj się z nią specyficzne zagrożenia związane z używanym płynem.

- Nie przekraczać maksymalnego ciśnienia roboczego lub temperatura o najniższej wartości znamionowej komponent systemu.
- **Używaj kompatybilnych płynów i rozpuszczalników ze sprzętem.** Zawsze czytaj płyn i rozpuszczalnik ostrzeżenia producenta.
- **Sprzęt pod ciśnieniem można uruchomić bez ostrzeżenia.** Przed sprawdzeniem, przeniesieniem lub serwisowaniem urządzenia, postępuj zgodnie z instrukcją usuwania nadmiaru ciśnienia Postępuj zgodnie z tą instrukcją i odłącz zasilacz.

#### POD CIŚNIENIEM ALUMINIOWE BEZPIECZEŃSTWO

**! WARNING**



Używanie płynów niekompatybilnych z aluminium w sprzęcie pod ciśnieniem może spowodować poważne zagrożenie reakcja chemiczna i pęknięcie sprzętu. Awaria zastosowanie się do tego ostrzeżenia może skutkować śmiercią, poważnymi obrażeniami lub uszkodzeniem mienia.

Nie stosować 1,1,1 - t - richloroetanu, metylenu chlorek lub inny halogenowany węglowodór rozpuszczalniki lub płyny zawierające takie rozpuszczalniki.

Wiele innych płynów może zawierać substancje chemiczne, które może reagować z aluminium. Skontaktuj się ze swoim materiałem dostawcy w celu zapewnienia kompatybilności .

#### WARNING

Przed użyciem tego produktu należy przeczytać i zrozumieć wszystkie instrukcje i ostrzeżenia dotyczące bezpieczeństwa. Niewłaściwe użycie może spowodować poważne obrażenia lub uszkodzenie mienia.

1. Ostrzeżenia \_ musisz Być podążał ostrożnie \_\_ Do unikać ciało

obrażenia. Niewłaściwy używać moc wynik W porażenie prądem, pożar, obrażenia ciała i inne szkody:

- 1 ) Zachowaj odłączanie kiedy przesuwanie maszyna.
- 2 ) Zachowaj odłączanie kiedy instalacja \_ Akcesoria
- 3 ) Załóż mieszkanie i stabilny platforma I działać niedostatecznie wentylowany warunki
- 4) Noś się wyjątkowo sprzęt ochronny , kiedy operacyjny the maszyna
- 5) Zrób nie używaj tego maszyna W A lokalizacja niebezpieczna.
- 6) Zrób nie używać Kiedy the maszyna Jest nie pracujący odpowiednio .
- 7) Zrób nie demontować I naprawa Ten maszyna .
- 8) Zrób nie używać jakiś nieodpowiedni AC Wylot .
- 9) Zrób nie dotykaj ogrzewanie talerz kiedy the maszyna się nagrzewa .
- 10) Zrób nie używać w wilgotnym \_ środowisko lub kontakt z wodą. Do nie infiltrować \_\_ płyn W the maszyna do zapobiec pożarowi lub porażenie prądem przez zwarcie.
- 11) Zrób nie używać the moc dostarczać To robi nie poznać the ocenione Napięcie . The moc dostarczać to robi nie spełniają określonego napięcia może spowodować pożar Lub elektryczny zaszokować.
- 12) Upewnij się To the maszyna Jest uziemiony Więc Jak nie Do przyczyna szkoda do ciała . \_
- 13) Zrób nie dotykaj ro tawanie pręt lub łożysko rozsuwaj palce  
o podczas używać W sprawa z urazy .
- 14) Jeśli the maszyna Jest nie W używać Do A długi czas , Proszę wyjąć wtyczkę the moc sznur z the gniazdo elektryczne .
- 15) Do nie używać maszynę podczas burzy lub oświetlenie Do unikać uszkodzenie the maszyna .
- 16 ) Umieścić maszynę płynnie na stole trudnopalnym I trzymać z dala od Jestem zdolny i \_ materiał wybuchowy rzeczy.
- 17) P dzierżawa zatrzymywać się za pomocą To Jeśli the maszyna pali , emituje A osobliwy zapach , Lub staje się hałaśliwy I W inne nienormalne warunki.
- 18) To urządzenie Móc Być używany przez dzieci w wieku z 8 lat I powyżej I osoby z obniżonym fizyczny , sensoryczne lub psychiczne możliwości lub brak doświadczenia I wiedza \_

jeżeli znajdują się pod nadzorem lub zostały poinstruowane w zakresie użytkowania urządzenia w sejfie sposób i zrozumieć związane z tym zagrożenia. Dzieciom nie wolno bawić się urządzeniem. Czyszczenie i konserwacja nie mogą być wykonywane przez dzieci bez nadzoru

25) Mocowanie typu Z : Jeżeli nie można wymienić przewodu zasilającego. Jeśli przewód jest uszkodzony, urządzenie należy oddać na złom.

26) Aby uniknąć zagrożenia spowodowanego niezamierzonym zresetowaniem wyłącznika termicznego, należy to zrobić urządzenie nie może być zasilane przez zewnętrzne urządzenie przełączające, takie jak timer, lub podłączone do obwodu, który jest regularnie włączany i wyłączany przez zakład energetyczny.

## FCC INFORMATION

**OSTROŻNOŚĆ:** Zmiany lub modyfikacje, które nie zostały wyraźnie zatwierdzone przez stronę odpowiedzialną za zgodność, mogą unieważnić uprawnienia użytkownika do obsługi urządzenia!

To urządzenie jest zgodne z częścią 15 przepisów FCC. Działanie podlega następującym dwóm warunkom:

- 1) Ten produkt może powodować szkodliwe zakłócenia.
- 2) Ten produkt musi akceptować wszelkie odbierane zakłócenia, w tym zakłócenia, które mogą powodować niepożądane działanie.

**OSTRZEŻENIE:** Zmiany lub modyfikacje tego produktu, które nie zostały wyraźnie zatwierdzone przez stronę odpowiedzialną za zgodność, mogą unieważnić uprawnienia użytkownika do obsługi produktu.

**Notatka:** Ten produkt został przetestowany i stwierdzono, że spełnia ograniczenia dla urządzeń cyfrowych klasy B zgodnie z częścią 15 przepisów FCC. Ograniczenia te mają na celu zapewnienie rozsądnej ochrony przed szkodliwymi zakłóceniami w instalacjach domowych.

Ten produkt generuje, wykorzystuje i może emitować energię o częstotliwości radiowej, a jeśli nie, to zainstalowane i używane zgodnie z instrukcją, może powodować szkodliwe zakłócenia w komunikacji radiowej. Nie ma jednak gwarancji, że w konkretnej instalacji nie wystąpią zakłócenia. Jeśli produkt

powoduje szkodliwe zakłócenia w odbiorze radia lub telewizji, co można stwierdzić poprzez wyłączenie i włączenie produktu, zachęca się użytkownika do podjęcia próby skorygowania zakłóceń za pomocą jednego lub kilku z poniższych środków.

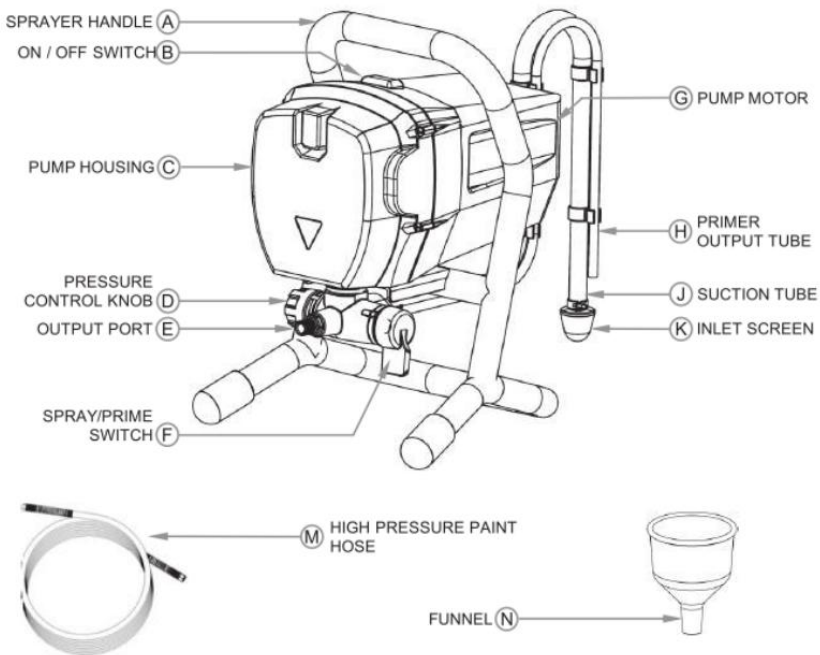
- Zmień orientację lub położenie anteny odbiorczej.
- Zwiększ odległość pomiędzy produktem a odbiornikiem.
- Podłącz produkt do gniazdka w innym obwodzie niż ten, do którego podłączony jest odbiornik.
- Skonsultuj się ze sprzedawcą lub doświadczonym technikiem radiowo-telewizyjnym w celu uzyskania pomocy.

## SPECYFIKACJE

Items	Description	RP8626	RP8626 PLUS
1	Rated Voltage:	120VAC 60Hz ( For US user)	120VAC 60Hz( For US user)
2	Rated Voltage:	230VAC 50Hz( For Europe user)	230VAC 50Hz( For Europe user)
3	Rated Power:	750 W	750 W
4	Maximum Working Pressure (MWP):	3000 PSI	3000 PSI
5	Maximum Delivery:	1.2 LPM	1.2 LPM
6	Work Environment Temperature:	5° C - 40° C / 40° F - 105° F	5° C - 40° C / 40° F - 105° F
7	Standard Nozzle:	517	517
8	Transportation and Storage Temperature:	-13° F-131° F (-25° C-55° C)	-13° F-131° F (-25° C-55° C)
9	Hose Length:	7.6 m / 25 ft	7.6 m / 25 ft
10	Paint Outlet Connector Size	1/4" -18 NPSM	1/4" -18 NPSM
11	G. W. :	9.8kg	12.3kg

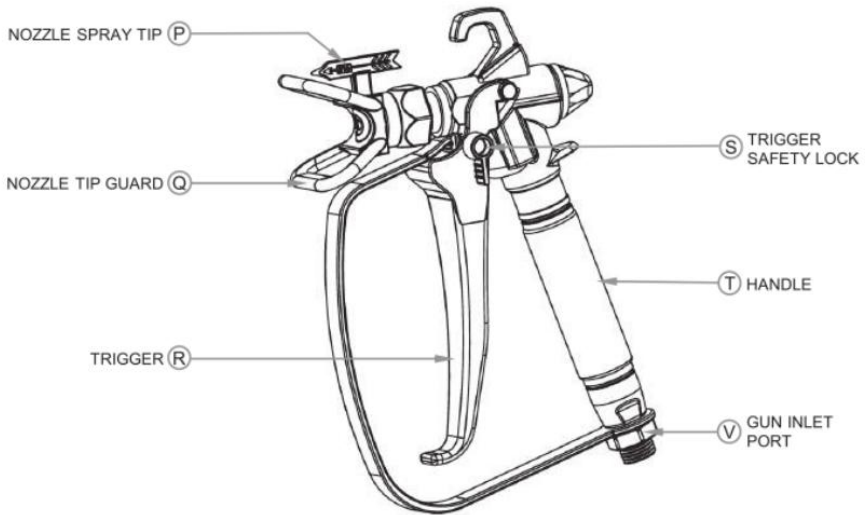
## DENTYFIKACJA

### OPRYSKIWACZ RP8626:



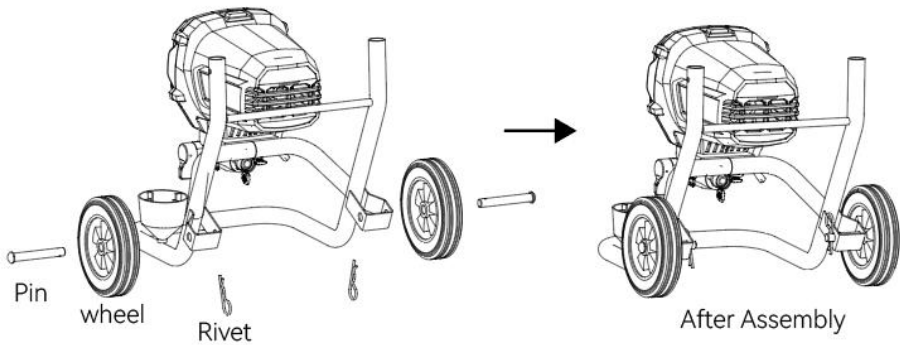
### RP8626 i RP8626 PLUS BEZPOWIETRZNY PISTOLET NATRYSKOWY

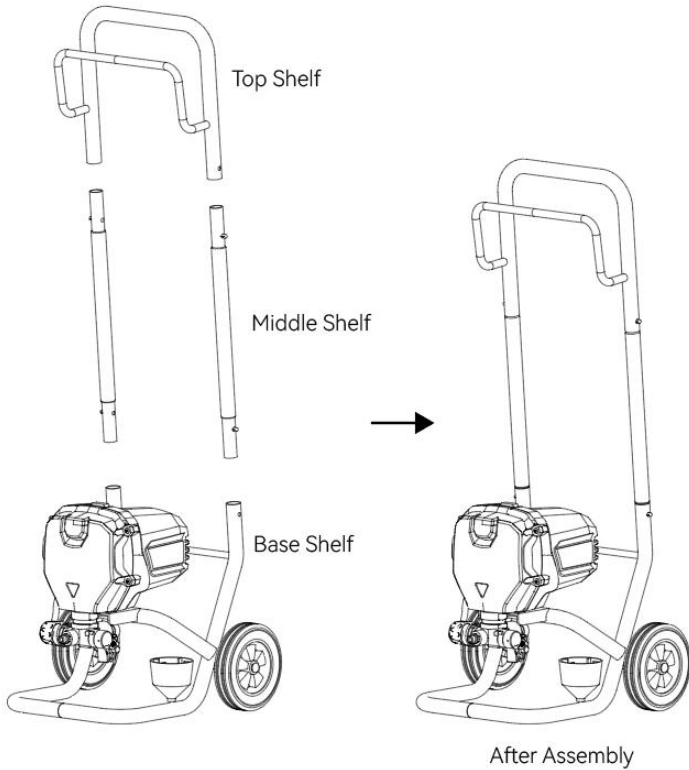




## 8626 PLUS

wheel installation





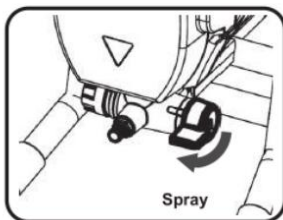
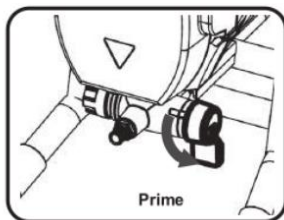
## OPERACJA

### OGŁOSZENIE:

CZYŚĆ PO UŻYCIU, ABY ZAPOBIEGAĆ TRWAŁYM USZKODZENIOM OPRYSKIWACZ. ZWROTY NIE PRZYJMUJĄ I GWARANCJA UTRATA GWARANCJA, JEŚLI ROZPYLACZ NIE ZOSTANIE PRAWIDŁOWO WYCZYSZCZONY BEZPOŚREDNIO PO KAŻDYM UŻYCIU.

### Przełącznik zalewania/natryskiwania

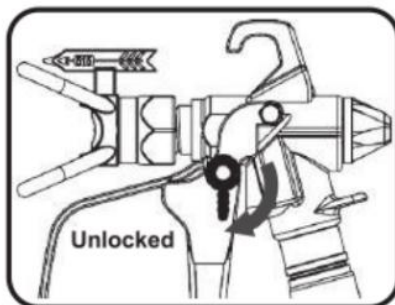
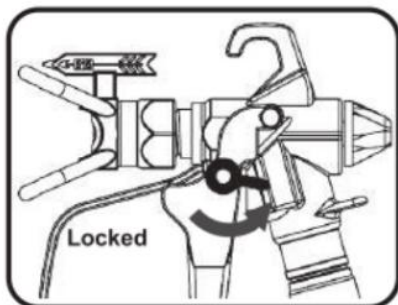
Przełącznik Prime/Spray (F) przełącza urządzenie pomiędzy tryb gruntowania i natryskiwanie tryb.



### **Blokada spustu**

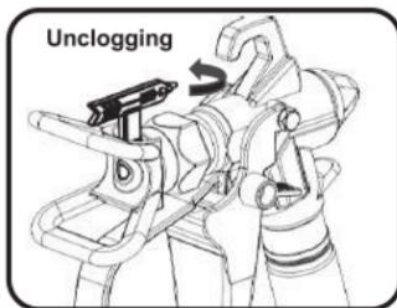
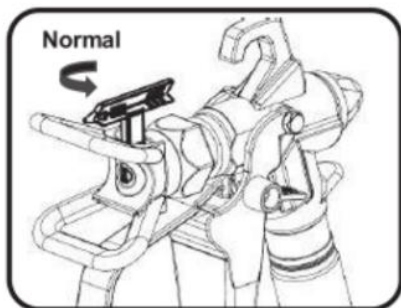
Blokada spustu (S) zapobiega wywołać przez przypadek uruchomiony, tak jak wtedy, gdy pistolet jest włączony upuszczony.

**ZAWSZE WŁĄCZAJ BLOKADĘ SPUSTU, GDY PISTOLET NATRYSKOWY NIE JEST UŻYWANY.**



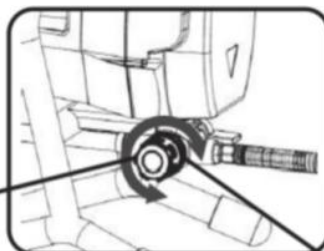
### **Końcówka natryskowa dyszy**

Końcówka natryskowa dyszy (P) jest zdejmowane i odwracalne w wykonaniu łatwiejsze czyszczenie i odblokowywanie. Normalna praca jest oznaczona strzałką skierowany na zewnątrz i z dala od broń. Odblokowanie dyszy jest można to zrobić, obracając dyszę natryskową Przechył tak, aby wskazywała strzałka do wewnątrz, w stronę pistoletu.



### **Pokrętko kontroli ciśnienia**

Pokrętko kontroli ciśnienia (D) reguluje ciśnienie farby wyjście na porcie wyjściowym (E). Obrócenie pokrętki całkowicie w prawo (zgodnie z ruchem wskazówek zegara) reguluje wydatek farby do maksymalnego ciśnienia do natryskiwania pod wysokim ciśnieniem. Obrócenie pokrętki całkowicie w lewo (w kierunku przeciwnym do ruchu wskazówek zegara) zmniejszy wydatek farby do minimum ciśnienia. Wyrównaj wskaźnik pokrętki regulacji ciśnienia z żądaną funkcją zgodnie z etykietą (pokazaną poniżej)



High Pressure Spray

Low Pressure Spray

Prime/Clean

Roller

### **PROCEDURA REDUKCJI CIŚNIENIA**



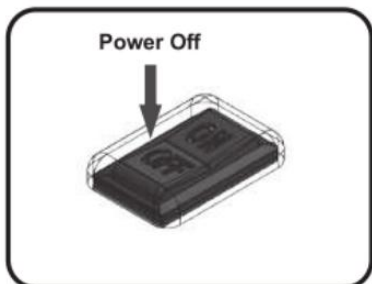
ZAWSZE UWOLNIJ CIŚNIENIE PO ZAKOŃCZENIU NATRYSKU ORAZ

PRZED CZYSZCZENIEM, SERWISEM LUB TRANSPORTEM.

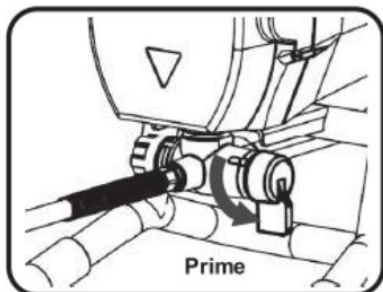


RYZIKO WSTRZYKNIĘCIA POD SKÓRĘ. NIE KIEROWAĆ PISTOLETU ANI ROZPYLANIA W ŻADNĄ OSOBĘ LUB ZWIERZĘ. NIE UMIESZCZAĆ GO PRZED DYSZĄ NATRYSKOWĄ.

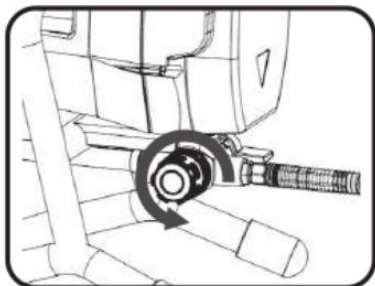
1. Ustaw przełącznik WŁ./WYŁ. (B) w położeniu WYŁ. ustawić i odłączyć przewód zasilający.



8. Ustaw przełącznik zalewania/natryskiwania w położeniu PRIME pozycja.



3. Ustawić pokrętkę regulacji ciśnienia (D) na najniższe ustawienie ciśnienia (ROLL).

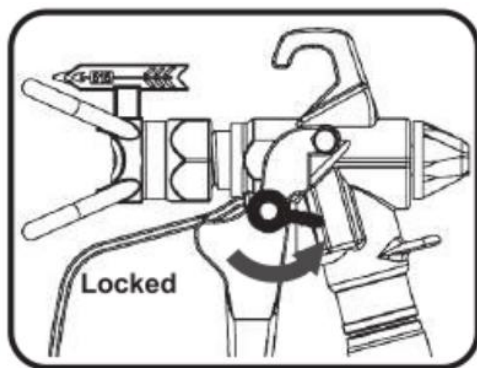


4. W przypadku korzystania z wiadra na odpady lub rozpuszczalnik należy upewnić się, że jest to wiadro metalowe i odpowiednio uziemiony. Zaciśnij jeden koniec przewodu uziemiającego do wiadra, a drugi koniec do odpowiedniego uziemienia, np. metalowej rury wodnej.

5. Skieruj pistolet natryskowy na zmielony odpad lub wiadro z rozpuszczalnikiem, trzymając jakąkolwiek metalową część aby utrzymać pistolet natryskowy, mocno przyłóż go do boku wiadra ciągnąc uziemienia pistoletu i wiadra, a następnie uruchomić naciśnij spust kilka razy, aż pojawi się ciśnienie w wąż został odciążony



9. Włączyć blokadę spustu po wywarceniu nacisku odciążony.



7. Pozostaw przełącznik Prime/Spray w pozycji Prime aż będziesz gotowy do ponownego natryskiwania.

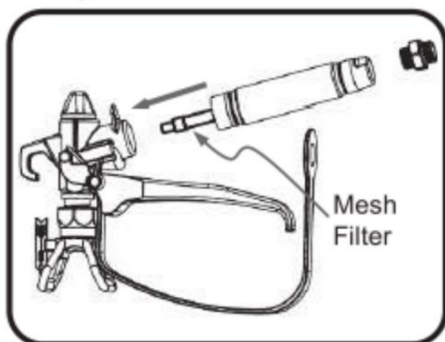
8. Jeśli podejrzewasz, że końcówka natryskowa lub wąż są zatkane lub to ciśnienie nie zostało później całkowicie złagodzone wykonując poniższe kroki, OSTROŻNIE I POWOLI poluzuj nakrętkę mocującą osłonę końcówki lub końcówkę węża sprzęgło, aby stopniowo redukować ciśnienie, a następnie poluzować

całkowicie przed próbą usunięcia dowolnego przeszkoda.

## ORGANIZOWAĆ COŚ

Pozycje w nawiasach () odnoszą się do Funkcji rysunek identyfikacyjny w poprzedniej sekcji.

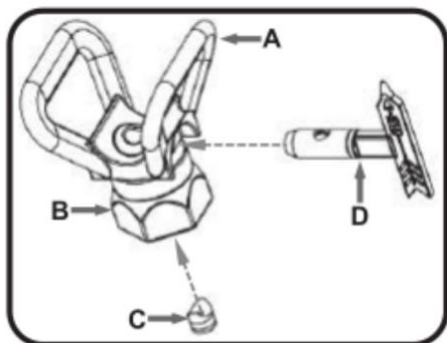
Uwaga: Pistolet natryskowy jest dostarczany zmontowany z fabryka. Jeśli pistolet został zdemontowany do czyszczenia aby ponownie złożyć, wykonaj poniższe czynności.



19. Włóż filtr siatkowy do uchwytu (T) i wyrównaj uchwyt z górną częścią pistoletu natryskowego.

20. Trzymając górną część pistoletu natryskowego, dokręć uchwyt (T) za pomocą klucza.

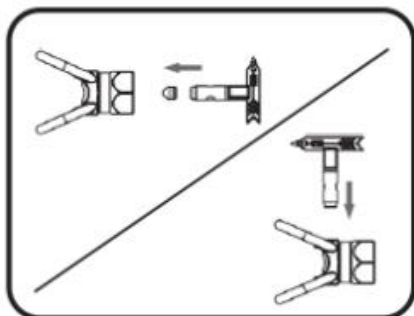
21. Umieść osłonę uchwytu nad otworem w dolnej części uchwytu, a następnie zabezpiecz na miejscu za pomocą adapter portu wlotowego węża (V) i dwa klucze.



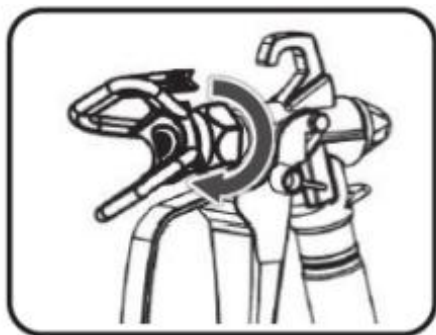
22. Końcówka pistoletu i osłona składają się z następujących elementów składniki:

- A. Osłona końcówki dyszy
- B. Nakrętka mocująca osłonę końcówki dyszy
- C. Metalowe gniazdo z gumową uszczelką
- D. Dysza Końcówka natryskowa

23. Użyj końcówki natryskowej dyszy, aby zamontować metalowe gniazdo z gumową uszczelką w osłonie końcówki dyszy.



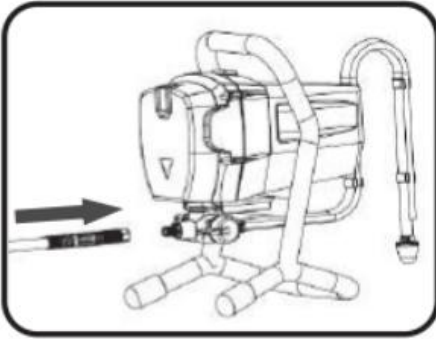
24. Zamontuj końcówkę rozpylającą dyszy w końcówce dyszy Strażnik.



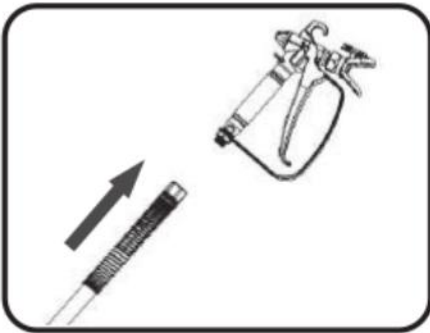
7. Nakręcić nakrętkę ustalającą osłony końcówki dyszy z przodu górnego korpusu pistoletu i dokręć z kluczem.

8. Przy odłączonym urządzeniu rozwiń i podłącz Wąż farby pod wysokim ciśnieniem (M) do przyłącza wyjściowego (E). Aby prawidłowo dokręcić złączkę, użyj klucza.

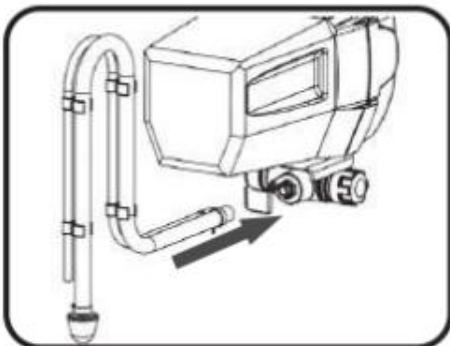




12. Podłącz drugi koniec farby wysokociśnieniowej Wąż (M) do portu wlotowego pistoletu (V) natryskiwacza Uchwyt pistoletu (T). Użyj pary kluczy, aby prawidłowo dokręcić złączkę

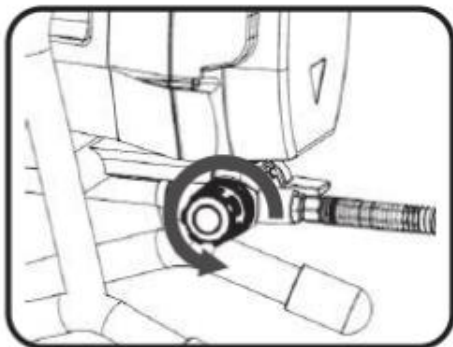


10. Podłącz rurkę ssącą (J) i wyjście startera Następnie rurkę (H) do tylnej części obudowy zaworu zainstaluj ekran wlotowy (K). Zabezpieczyć na miejscu za pomocą dostarczonych opasek zaciskowych.

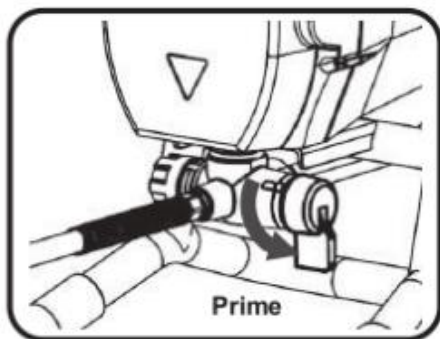


11. Ustawić pokrętko kontroli ciśnienia (D) w pozycji Pozycja

zalewania/czyszczenia.



1 2 . Umieścić przełącznik natryskiwania/zalewania (F) na zalewie Pozycja.



### **Zagruntuj i przepłucz**

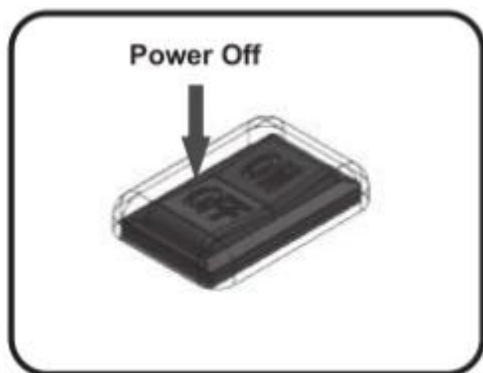
Przed każdym użyciem opryskiwacz należy zalać i przepłukać w celu usunięcia płynu magazynującego z opryskiwacza. Podczas zalewania i płukania należy przestrzegać poniższych wskazówek:

- Jeśli będziesz natryskiwać materiały na bazie wody, użyj wody do dokładnego przepłukania systemu.
- Jeśli będziesz natryskiwać materiały na bazie oleju, użyj zgodnego rozpuszczalnika do płukania na bazie oleju lub benzyny lakowej, aby dokładnie przepłukać system.
- W przypadku zmiany natryskiwania na bazie oleju na natryskiwanie na bazie wody, należy najpierw dokładnie przepłukać system wodą. Przed rozpoczęciem natryskiwania materiału na bazie wody woda wypływająca z

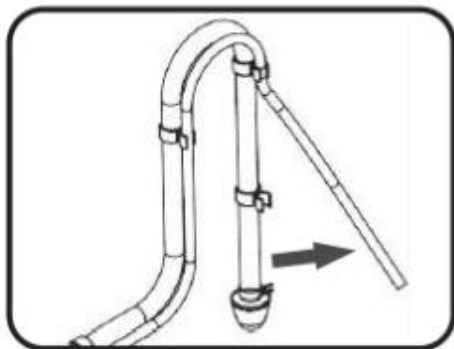
rukki wylotowej podkładu (H) powinna być przejrzysta i wolna od rozpuszczalników. W przypadku zmiany natryskiwania na bazie wody na natryskiwanie na bazie oleju, należy najpierw dokładnie przepłukać system zgodnym rozpuszczalnikiem do przepłukiwania na bazie oleju lub benzyną lakową. Rozpuszczalnik wypływający z rurki wylotowej startera (H) nie powinien zawierać wody.

- Zawsze używaj uziemionego wiadra na odpady metalowe lub rozpuszczalnika.
- Zobacz sekcję Bezpieczeństwo elektryczne.
- Zawsze celuj pistoletem w wewnętrzną ściankę wiadra na odpady lub rozpuszczalnik, aby uniknąć rozpryskiwania się płynu na skórę lub do oczu.

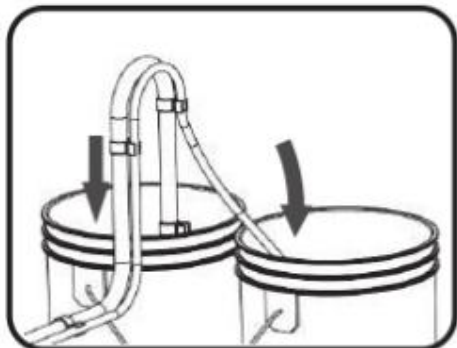
7. Ustaw przełącznik WŁ./WYŁ. zasilania (B) w położeniu WYŁ. ustawić i odłączyć opryskiwacz.



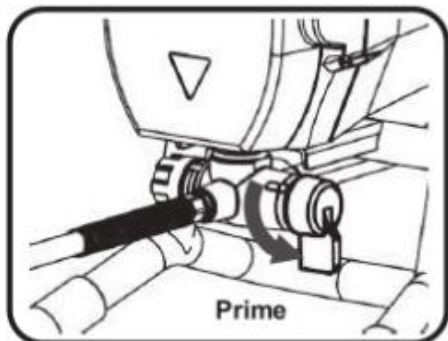
8. Oddziel rurkę wyjściową startera (H) od the Rura ssąca (J).



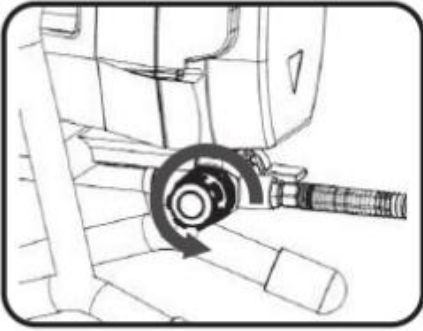
3. Umieścić rurkę wyjściową gruntu (H) w uziemionym kubku na odpady/rozpuszczalnik i włożyć rurkę ssącą (J) z sitkiem wlotowym (K) do kubła zawierającego wodę lub rozpuszczalnik do przepłukiwania (zgodnie z wytycznymi omówionymi powyżej).



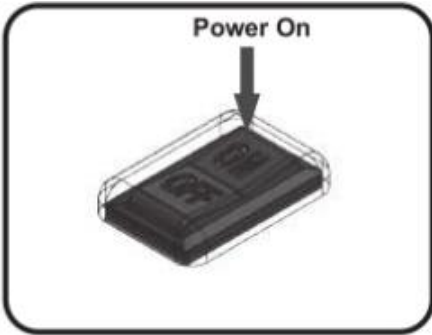
4. Sprawdź, czy przełącznik natryskiwania/zalewania (F) znajduje się w pozycji Pierwsza pozycja.



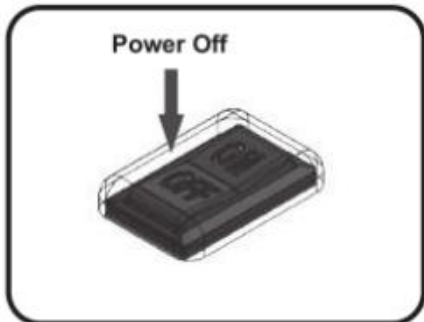
5. Ustaw pokrętko kontroli ciśnienia (D) w pozycji Pozycja zalewania/czyszczenia.



6 . Podłącz opryskiwacz do uziemionego gniazdka i obróć przełącznik WŁ./WYŁ. zasilania (B) w położenie ON.

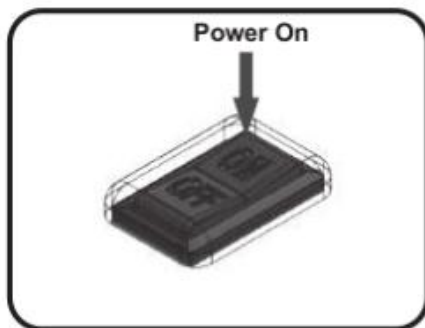
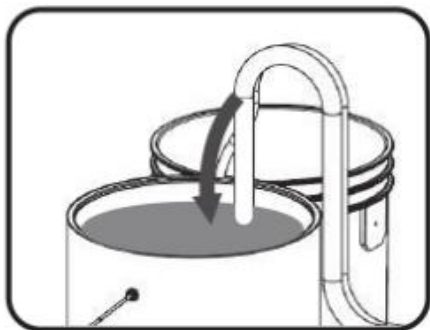


7. Opryskiwacz rozpocznie pompowanie wody lub płukanie rozpuszczalnik. Z układu zostanie usunięte powietrze i olej magazynowy system. Pozwól, aby płyny nadal były wyładowany z rurki wyjściowej startera (H) przez 30 do 60 sekund, a następnie włącz/wyłącz zasilanie Przełącznik (B) w położenie WYŁĄCZONE.



8. Wyjmij rurkę ssącą (J) i sitko wlotowe (K) z wiadra zawierającego wodę lub rozpuszczalnik do przepłukiwania (krok 3) i włóż je do pojemnika zawierającego

farba, której będziesz używać.

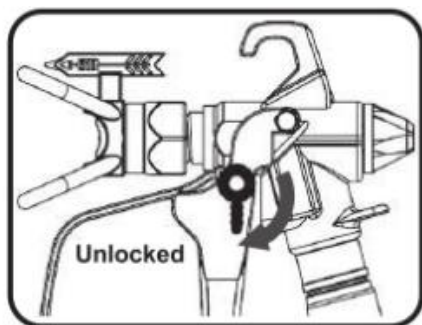


9. Włącz/wyłącz wyłącznik zasilania (B).

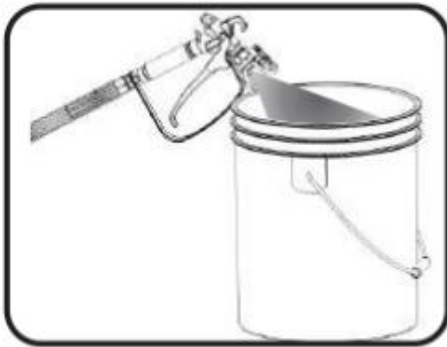
10. Farba zacznie być pompowana przez układ ssący Rura (J) i zacznie się przez nią odprowadzać rurkę wyjściową startera (H) do pojemnika na odpady/rozpuszczalnik.

11. Trzymaj pistolet natryskowy skierowany do i przeciw wiadro na odpady/rozpuszczalnik.

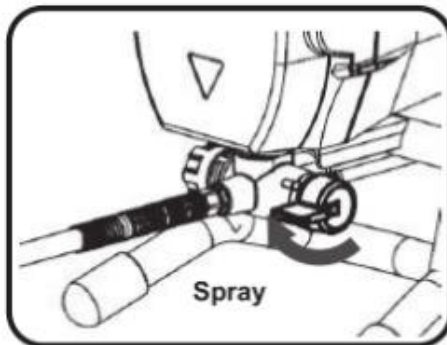
12. Odblokuj blokadę spustu.



16. Pociągnij i przytrzymaj spust.

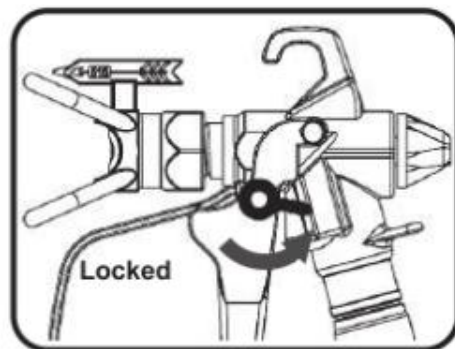


14. Ustaw przełącznik natryskiwania/zalewu (F) w pozycji natryskiwania pozycja.



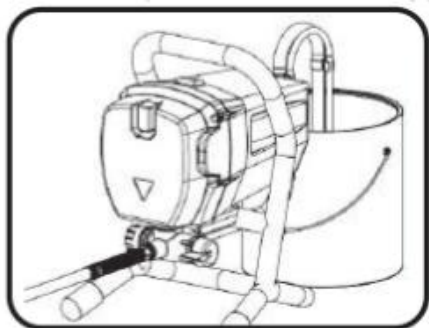
15. Trzymaj spust podczas celowania pistoletu do wiadra na odpady/rozpuszczalnik, aż pozostanie tylko farba wychodząc z pistoletu.

16. Zwolnić spust i włączyć blokadę spustu



20. Przesuń rurkę wyjściową podkładu (H) na farbę pojemnik i przymocuj go do

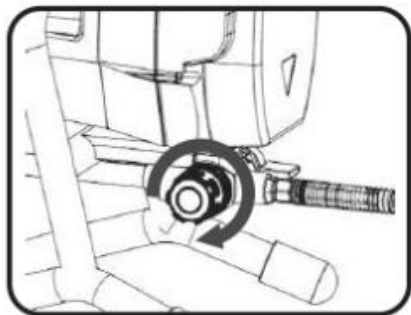
rury ssącej (J).



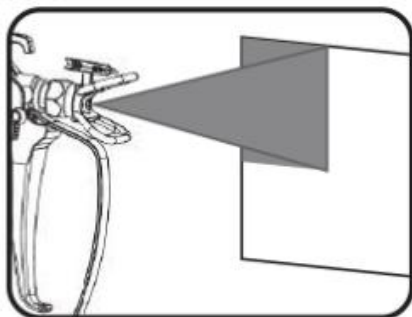
UWAGA: Silnik zatrzyma się, co sygnalizuje pracę pompy i wąż są zagruntowane farbą i pod ciśnieniem. Jeśli \_ silnik nadal pracuje, opryskiwacz nie Prawidłowo zagruntowany. Aby ponownie zalać, przekręć przełącznik natryskiwania/zalewania (F) do pozycji zalewania i powtórz wszystkie kroki od początku w kroku 9.

### **OBRAZ**

16. Ustaw pokrętko regulacji ciśnienia (D) na średnio-wysokie ciśnienie.



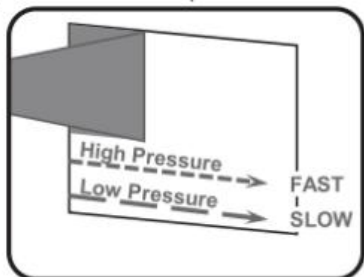
17. Przetestuj to ustawienie ciśnienia na kawałku złomu materiału.





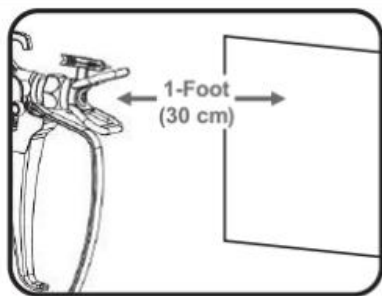
18. Wyreguluj pokrętkę regulacji ciśnienia (D), aż a gładka i równa konsystencja jest osiągnięta.

19. Na kawałku złomu spryskaj test łata i ocenia wymaganą prędkość ruchu do ustawienia ciśnienia. Niższe ciśnienie będzie wymagają mniejszej prędkości i wyższego ciśnienia wymagają większej prędkości skoku.

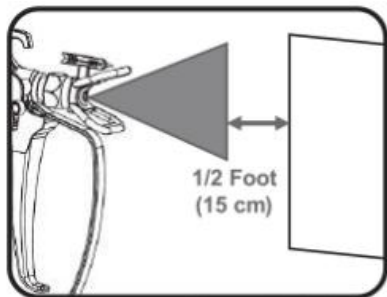


UWAGA: Jakość malowanej powierzchni będzie miała wpływ mają duży wpływ na wynik oprysku. Powierzchnia do malowania należy wcześniej odpowiednio przygotować zaczyna rozpylać.

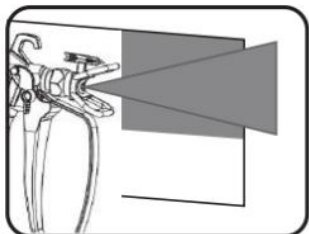
### **TECHNIKA NATRYSKU**



4. Zachowaj odległość około 1 stopy (30 cm) od powierzchnię, która ma być natryskiwana.

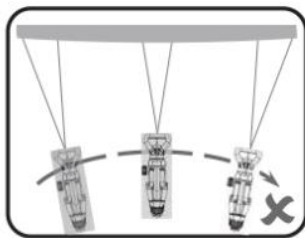
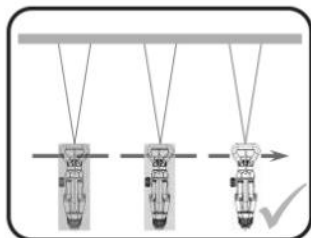


2. Rozpocznij ruch pociągnięcia przed naciśnięciem spustu i rozpocznij około 15 cm od krawędzi opryskiwanego obszaru

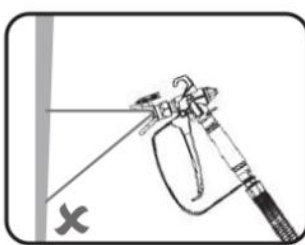
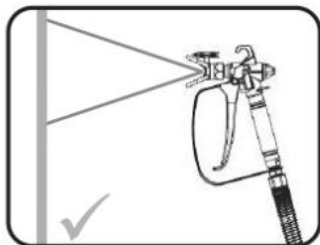


3. Zwolnić spust po przekroczeniu przeciwnej krawędzi malowanej powierzchni.

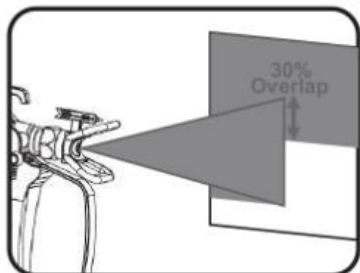
4. Poruszaj pistoletem całym ramieniem, bez zginania nadgarstku, aby zapewnić równomierny wzór natryskiwania.



20. Trzymaj pistolet natryskowy pod kątem prostym do powierzchni jest malowany.



6. Nakładaj się na każde pociągnięcie o 30%, aby zapewnić równomierne pokrycie.



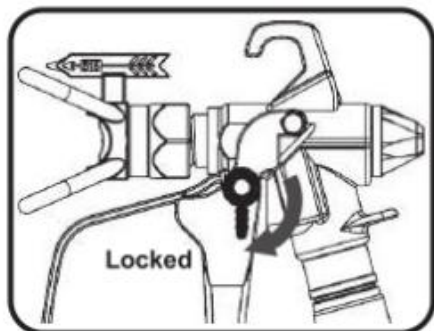
Inne przydatne wskazówki

- Opryskiwanie na zewnątrz w wietrzny dzień może spowodować: słabe wyniki. Poczekaj aż przestanie wiać i pogoda jest zadowalająca.
- Nakładać jedną warstwę na raz i pozostawić do wyschnięcia całkowicie przed nałożeniem kolejnej warstwy.
- Unikaj zatrzymywania i uruchamiania, co spowoduje: niejednorodne wykończenie. Zaczynj od jednej krawędzi powierzchni i zakończ tuż za przeciwną krawędzią. Unikaj zatrzymywania się środkiem powierzchni, co może skutkować nierównym wykończeniem .

### **ODBLOKOWANIE KOŃCÓWKI ROZPYLAJĄCEJ**

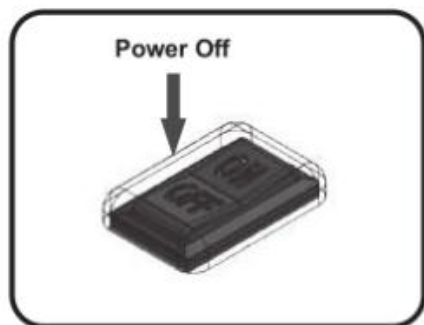
- Czasami końcówka natryskowa dyszy (P) może ulec uszkodzeniu zatkany farbą. Postępuj zgodnie z poniższymi instrukcjami, aby wyczyścić a zatkana dysza Kończówka natryskowa:

1. Zwolnij spust i załącz blokadę spustu ( S )

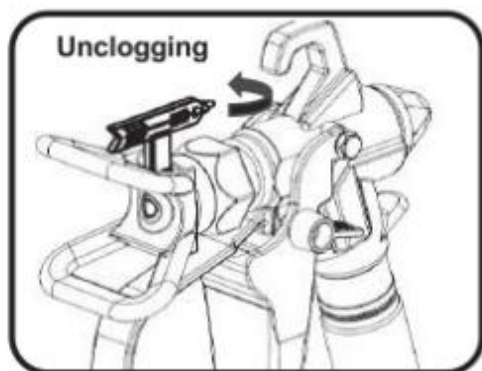


2. Ustaw przełącznik WŁ./WYŁ. (B) w położeniu WYŁ. (B) w położeniu WYŁ. ustawić i odłączyć przewód

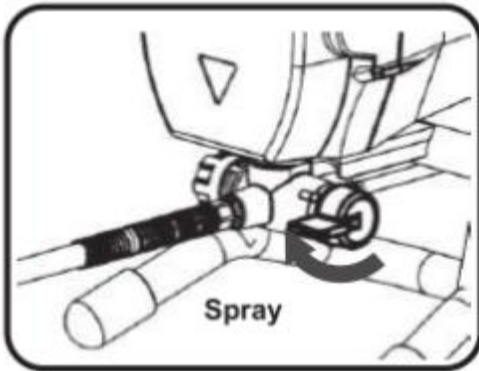
zasilający.



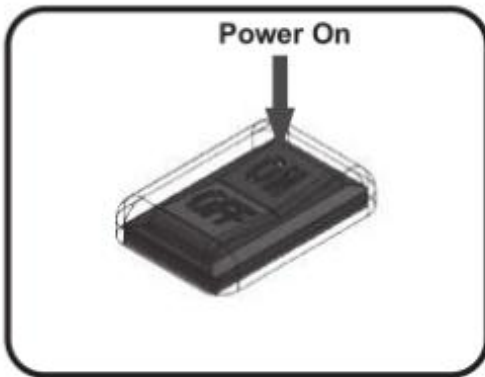
3. Obróć końcówkę natryskową dyszy (P), tak aby strzałka wskazywała tył pistoletu.



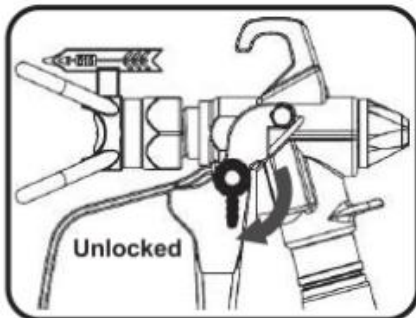
4. Ustaw przełącznik natryskiwania/zalewu (F) w pozycji natryskiwania.



5. Ustaw wyłącznik zasilania (B) w pozycji ON.

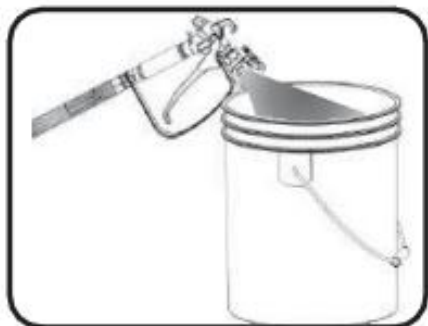


6. Zwolnij blokadę spustu (S).

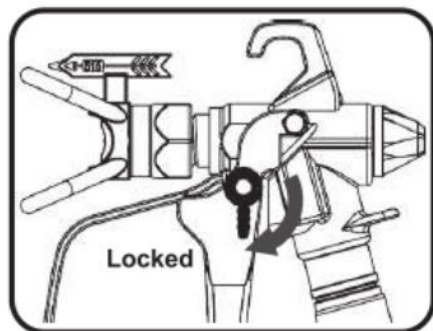


7. Skieruj pistolet natryskowy na uziemione wiadro na odpady lub rozpuszczalnik, przytrzymując mocno metalową część pistoletu natryskowego z boku wiadra, aby

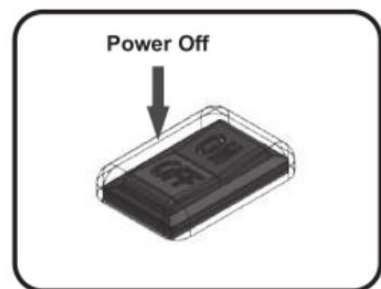
zachować ciągłość uziemienia pistoletu i wiadra, a następnie naciśnij kilkakrotnie spust, aby usunąć zator.



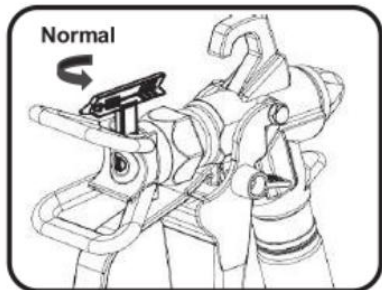
8. Zwolnij spust i załącz blokadę spustu.



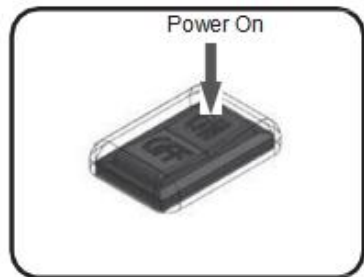
9. Ustaw przełącznik ON/OFF (B) w pozycji OFF i odłącz przewód zasilający.



10. Obróć końcówkę natryskową dyszy (P) tak, aby strzałka wskazywała przód pistoletu.



11. Ustaw wyłącznik zasilania (B) w pozycji ON.



## **CZYSZCZENIE**

### **OGŁOSZENIE**

**CZYSTY PO UŻYWAĆ DO ZAPOBIEGAĆ STAŁY  
SZKODA DO TO OPRYSKIWACZ.**

**ZWROTY NIE ZAAKCEPTOWANE & GWARANCJA PRÓŻNIA JEŚLI  
OPRYSKIWACZ JEST NIE CZYSZCZONO PRAWIDŁOWO BEZPOŚREDNIO  
PO KAŻDYM UŻYCIU.**

## **UŻYWAJ ODPOWIEDNIEGO PŁYNU CZYSZCZĄCEGO**

Jeśli pomalować istotę używany był woda na bazie (akryl farba), używać TYLKO WODA  
Kiedy działający the czyszczenie procedura.

**UWAGA** • STOSOWANIE NA BAZIE ROZPUSZCZALNIKA PŁYN CZYSZCZĄCY NA NA  
BAZIE WODY MALATURA BĘDZIE WYNIK W A SUBSTANCJA TO BĘDZIE BYĆ  
EKSTREMALNIE TRUDNE DO CZYSTY.

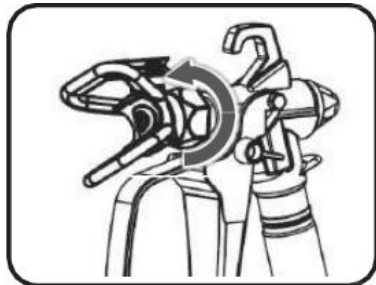
Jeśli the farba Lub Powłoka materiał istnienie używany był na bazie oleju (szkliwo  
farba, lakier itp.), patrz the Powłoka materiały etykieta Lub MSDS Do określić co  
rozpuszczalnik Do używać. Te na bazie rozpuszczalników czyszczenie płyny są

bezpieczne w użyciu W the duszny opryskiwacz:

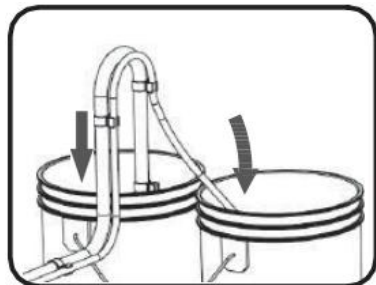
- Minerał Terpentyna
- Farba Cieńszy

## **CZYSZCZENIE OPRYSKIWACZA**

1. Rozpocznij czyszczenie opryskiwacza NATYCHMIAST po użyciu, postępując zgodnie z PROCEDURĄ REDUKCJI CIŚNIENIA w punkcie 9.
2. Za pomocą klucza zdejmij osłonę końcówki dyszy (Q) i końcówkę natryskową dyszy (P) z pistoletu i umieść je w płynie czyszczącym.

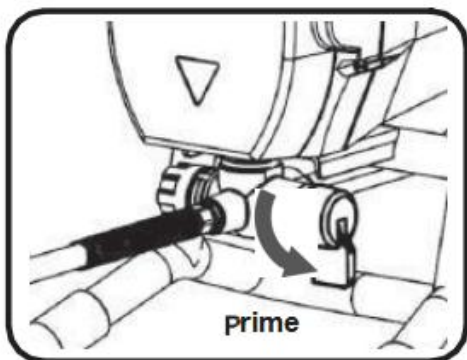


3. Oddziel rurkę wyjściową startera (H) od rurki ssącej (J). Umieścić rurkę wyjściową startera (H) do wiadra na odpady, a rurkę ssącą z sitkiem wlotowym (K) do wiadra zawierającego wodę lub rozpuszczalnik do przepłukiwania (przeczytaj sekcję zatytułowaną UŻYWAJ ODPOWIEDNIEGO PŁYNU CZYSZCZĄCEGO omówioną powyżej) .

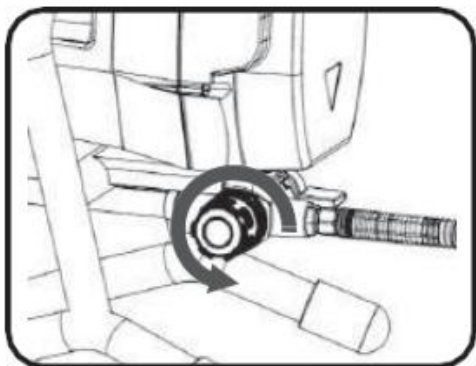


4. Sprawdź, czy przełącznik natryskiwania/zalewania (F) znajduje się w pozycji zalewania.

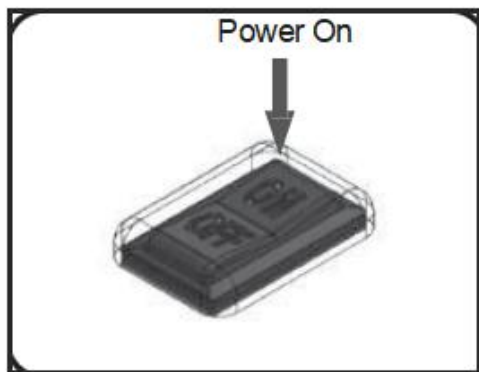




5. Ustawić pokrętko kontroli ciśnienia (D) w pozycji Zalewanie/Czyszczenie.

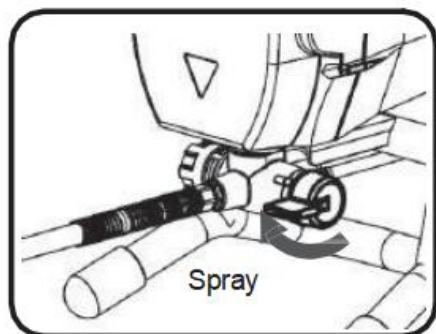


6. Ustaw wyłącznik zasilania (B) w pozycji ON.



7. Gdy z rurki wyjściowej startera (H) wypłynie stały strumień płynu czyszczącego,

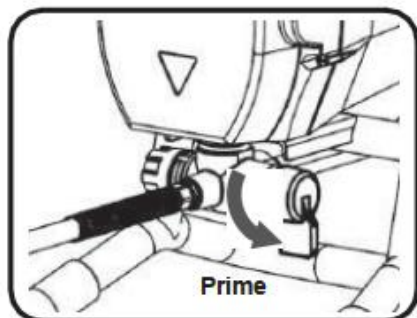
przekręć przełącznik natryskiwania/zalewu (F) w położenie natryskiwania.



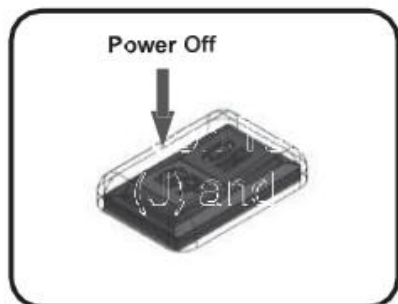
8. Skieruj pistolet natryskowy do kubła na odpady, przytrzymując mocno metalową część pistoletu natryskowego z boku kubła, aby zachować ciągłość uziemienia pistoletu i kubła, a następnie naciskaj spust, aż jedynym płynem wypływającym z pistoletu będzie płyn czyszczący .



9. Ustaw przełącznik natryskiwania/zalewania (F) w pozycji zalewania, następnie powtarzaj kroki 7 i 8, aż z urządzenia natryskowego będzie wypływał wyłącznie płyn czyszczący.

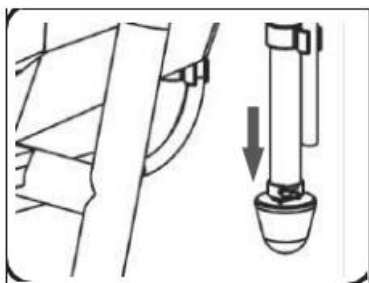


10. Ustaw włącznik/wyłącznik (B) w pozycji OFF i odłącz przewód zasilający.



### **CZYSZCZENIE WĘŻA DOLOTOWEGO**

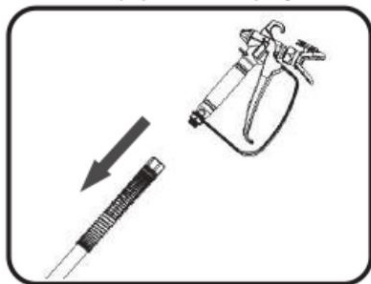
4. Zdejmij sito (K) z rury ssącej (J), poluzowując zacisk węża i odsuwając go od filtra.
2. Wyciągnij sitko wlotowe (K) i przepłucz je odpowiednim płynem czyszczącym.



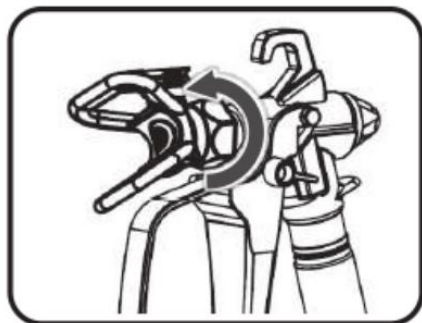
3. Jeżeli nie można wyczyścić siatki wlotowej (K), wymień ją na nową.

### **CZYSZCZENIE PISTOLETU NATRYSKOWEGO**

1. Postępuj zgodnie z PROCEDURĄ REDUKCJI CIŚNIENIA z punktu 9.
2. Za pomocą kluczy zdejmij wąż wysokociśnieniowy (M) z pistoletu natryskowego.

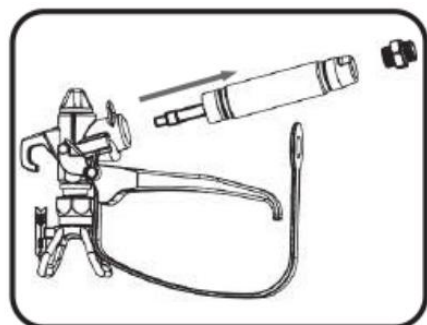


3. Za pomocą klucza zdemontuj osłonę końcówki dyszy (Q) i końcówkę natryskową dyszy (P) z pistoletu i umieść je w płynie czyszczącym.



4. Użyj klucza i zdejmij port wlotowy (V) z pistoletu.

5. Odsuń osłonę uchwytu i za pomocą klucza zdejmij uchwyt (T) z górnej części pistoletu natryskowego.



filtr siatkowy z uchwytu (T) i umieść go w płynie czyszczącym.

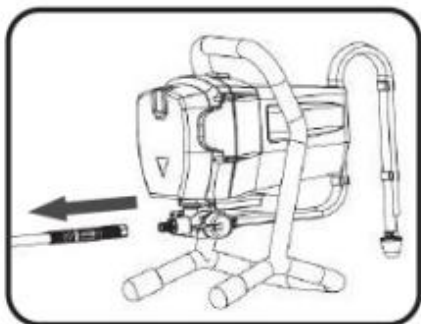
7. Użyj miękkiej szczoteczki do czyszczenia wszystkich elementów w płynie czyszczącym.

8. Po zakończeniu czyszczenia zmontuj pistolet natryskowy.

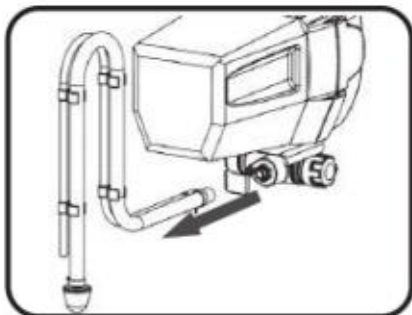
## **PRZECHOWYWANIE OPRYSKIWACZA**

Bardzo ważne jest, aby opryskiwacz NIE był przechowywany z wodą lub materiałami na jej bazie wewnątrz pompy, węża, rurek lub pistoletu natryskowego. Woda pozostająca w tych elementach spowoduje korozję i ich uszkodzenie. Aby przechowywać opryskiwacz, należy postępować zgodnie z poniższymi procedurami.

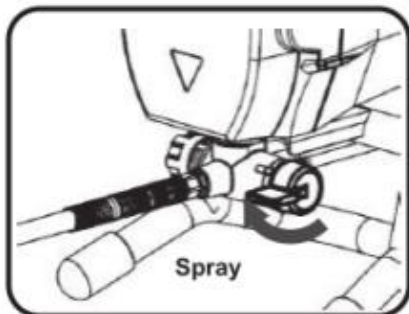
13. Przed przechowywaniem opryskiwacza należy wykonać kroki czyszczenia opryskiwacza i pistoletu natryskowego.



14. Odłącz wąż wysokociśnieniowy od opryskiwacza.



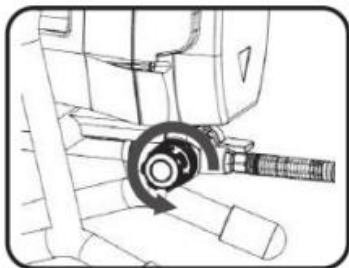
15. Wyjmij rurkę wyjściową startera (H) i rurkę ssącą (J) z sitkiem wlotowym (K) z pompy.



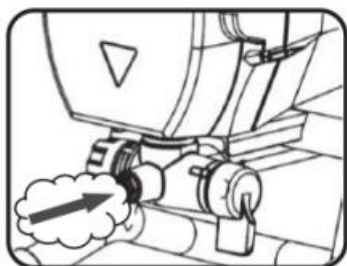
16. Po obróceniu opryskiwacza dodaj jedną uncję (30 ml) uniwersalnego, lekkiego oleju maszynowego, takiego jak olej do szycia lub olej ISO 22, do rurki ssącej (J) i rurki wyjściowej podkładu (H).

5. Ustaw przełącznik natryskiwania/zalewania (F) w pozycji natryskiwania.

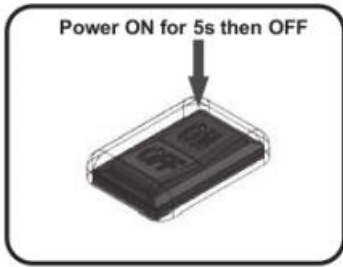
6. Ustaw pokrętko regulacji ciśnienia (D) w pozycji niskiego natryskiwania.



7. Zakryj port wyjściowy (E) szmatką.



8. Ustaw przełącznik WŁ./WYŁ. zasilania (B) w pozycji WŁ. na PIĘĆ SEKUND, następnie przekręć włącznik/wyłącznik zasilania (B) w pozycję WYŁ.


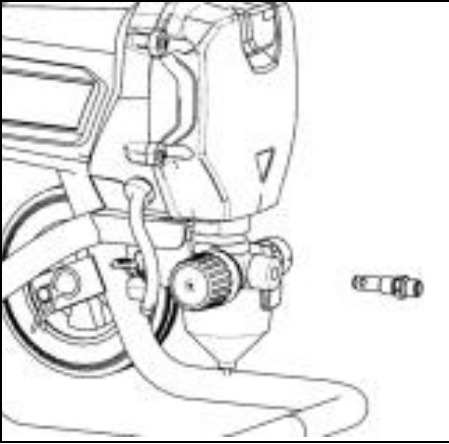


9. Ustaw przełącznik natryskiwania/zalewania (F) w pozycji zalewania, aby mieć pewność, że olej pozostanie w układzie podczas przechowywania.
10. Załóż rurkę wylotową startera (H) i rurkę ssącą (J) na pompę.
11. Wytrzymaj opryskiwacz czystą szmatką i przechowuj w miejscu niedostępnym dla dzieci.

### **Wskazówki dotyczące sprayu**

Zawsze czyść końcówki odpowiednim płynem czyszczącym, a następnie szczotkuj rozpylający. Kończówki mogą wymagać wymiany po zużyciu 15 galonów (57 litrów) lub mogą wystarczyć na 60 galonów (227 litrów), w zależności od ścieralności farby.

Lista części zamiennych

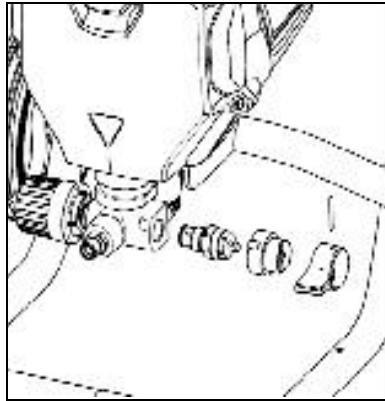
PRZEDMIOT	Część	Jak dopracować części
1	Zespół zaworu wylotowego 	Za pomocą klucza odkręcić zespół zaworu wylotowego 

2

Zespół zaworu nadmiarowego



Wybić cylindryczny sworzeń, zdjęć pokrętko przełącznika i gniazdo przełącznika, a następnie za pomocą klucza nastawnego odkręcić zespół ciśnieniowego zaworu bezpieczeństwa.

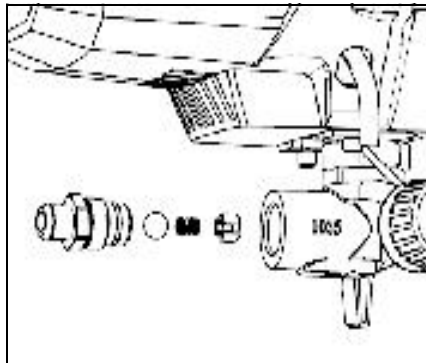


3

Zespół zaworu zasilającego



Wymontuj podłączony zespół rury zasilającej, następnie odkręć korek śruby zasilającej za pomocą klucza nastawnego i wyjmij stalową kulę zaworu zasilającego, sprężynę zasilającą i gniazdo sprężyny zasilającej.





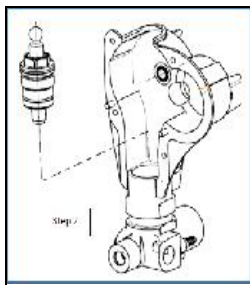
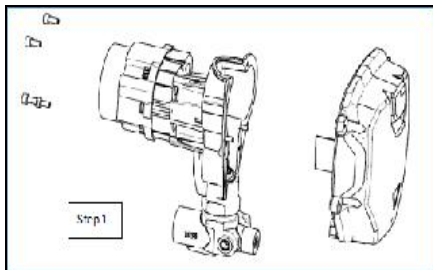
4

### Zespół tłoka



1. Za pomocą klucza sześciokątnego po przeciwnej stronie 5 odkręcić 4 śruby sześciokątne oddzielając korpus pompy od pokrywy pompy.

2. Użyj tulei przedłużającej po przeciwnej stronie 22, aby wyjąć zespół tłoka.



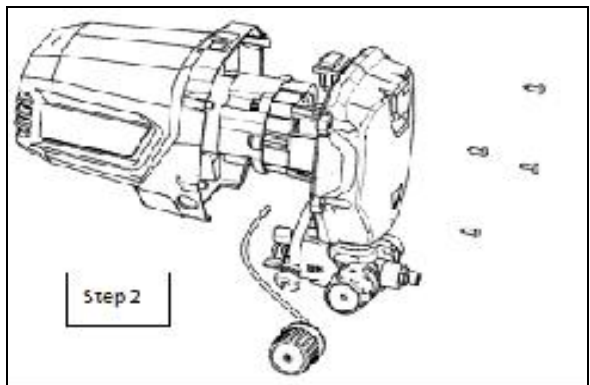
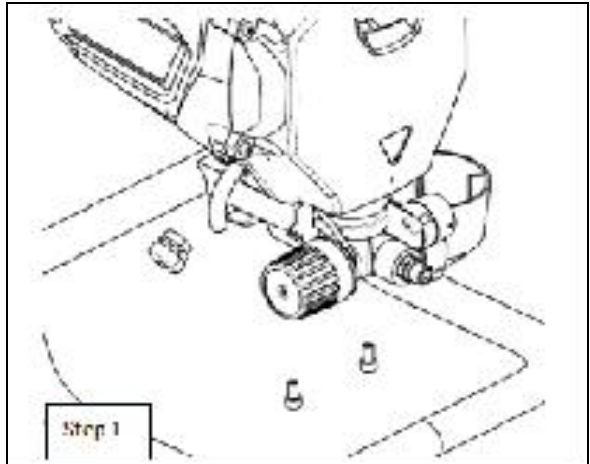
5

Zespół zaworu nadmiarowego ciśnienia



4. Wyjmij przewód zasilający nie ciągnąc go, odkręć dwie śruby na dole i zdejmij głowicę pompy z ramy.

2. Odkręcić cztery wkręty samogwintujące na pokrywie pompy i oddzielić tylną obudowę od pokrywy pompy. Odłącz kabel zaworu regulatora ciśnienia. Obróć zawór regulujący ciśnienie w kierunku przeciwnym do ruchu wskazówek zegara, aby odsonić powierzchnię bagnetu i za pomocą klucza nastawnego odkręć zespół ciśnieniowy zaworu nadmiarowego.



### **Zgodność materiałów — materiały i farby, których można użyć**

**MATERIAŁY NA BAZIE WODY:** Wszystkie opryskiwacze MOGĄ być używane do malowania materiałów wewnętrznych i zewnętrznych na bazie wody. Przed natryskiem materiałów na bazie wody przepłucz opryskiwacz wodą.

Przykład: lakier do drewna, lateks, bejce...

**MATERIAŁY NA BAZIE OLEJU:** Wszystkie opryskiwacze MOGĄ być używane do malowania materiałów wewnętrznych i zewnętrznych na bazie oleju. Etykieta materiału wskazuje MATERIAŁ PALNY i można go czyścić benzyną lakową lub rozcieńczalnikiem do farb. Przed natryskiwaniem materiałami na bazie oleju przepłucz opryskiwacz benzyną lakową.

Przykład: akryle, farby dekoracyjne...

### **Zgodność materiałów — materiały i farby, których nie można stosować**

#### **MATERIAŁ ŁATWOPALNY NA BAZIE ROZPUSZCZALNIKA**

**MATERIAŁY, KTÓRE SĄ ZBYT GRUSTE** - wymagają większego komercyjnego urządzenia do natryskiwania hydrodynamicznego lub natrysku teksturowego

- Renowacja tarasów i betonu
- Elastomer
- Pokrycie dachu - uszczelniacz, farba lub podkład
- Epoksyd do betonu lub szybkooschnący materiał jedno- lub dwuskładnikowy
- Materiał dwuskładnikowy, taki jak podkład wiążący, farba do podłóg garażowych
- Uszczelniacz podjazdu
- Materiał teksturowany lub wypełniony piaskiem
- Gips
- Materiały zawierające wapień, szkło, glinę, kwarc, takie jak specjalne mury, sztukaterie, farby do cegieł

- Farba metaliczna

- Farba magnetyczna lub podkład

#### **NIEBEZPIECZNE MATERIAŁY**

- Środek do usuwania farb i plam
- Wybielacz lub inny materiał zawierający wybielacz

- Herbicyd
- Insektycyd lub pestycyd
- Środek dezynfekujący

## **KONSERWACJA I NAPRAWA**

### **CODZIENNA KONSERWACJA**

Żywotność sprzętu jest bezpośrednio powiązana z jakością konserwacji. Postępuj zgodnie z poniższymi wytycznymi, aby zapewnić długą żywotność sprzętu.

Zawsze postępuj zgodnie z procedurą czyszczenia bezpośrednio po użyciu. Farba lub woda pozostawiona w urządzeniu spowodują blokady lub korozję, co spowoduje, że urządzenie przestanie działać.

Podczas wyłączenia, regulacji, konserwacji lub naprawy należy zastosować Procedurę usuwania nadmiaru ciśnienia.

Przed użyciem sprzętu upewnij się, że Ty lub inny operator przeczytaliście i zrozumieliście niniejszą instrukcję.

Po czyszczeniu zwiń wąż wysokociśnieniowy, aby zapobiec uszkodzeniu.

Okresowo dodawaj wielofunkcyjny lekki olej maszynowy, taki jak olej do maszyn do szycia lub olej ISO 22 do opryskiwacza, zgodnie z opisem w części zatytułowanej Przechowywanie opryskiwacza, jeśli jest przechowywany przez dłuższy okres.

### **NAPRAWA**

- Oddaj elektronarzędzie do naprawy wykwalifikowanemu serwisantowi, który używa wyłącznie identycznych części zamiennych. Zapewni to zachowanie bezpieczeństwa elektronarzędzia.
- Podczas naprawy należy usunąć wszystkie śruby, nakrętki, podkładki, uszczelki i złącza elektryczne. Części te zwykle nie są dostarczane w zestawach zamiennych.
- Przejrzyj sekcję zatytułowaną Rozwiązywanie problemów, aby pomóc w zidentyfikowaniu problemu.
- Nie używaj opryskiwacza bez założonej osłony silnika. Wymień, jeśli jest uszkodzony. Osłona silnika kieruje powietrze chłodzące wokół silnika, aby zapobiec przegrzaniu i izoluje płytę sterującą, aby zapobiec przypadkowemu porażeniu.

## CAUTION

- Do not run the sprayer dry for more than 30 seconds. Doing so could damage the pump packing **seals**.
- Protect the internal drive parts of the sprayer from water. Openings in the cover allow for air cooling of both the mechanical parts and electronics. If water enters these openings, the sprayer may malfunction or be permanently damaged.
- Prevent corrosion or freezing of the pump to avoid damage. Fluids that freeze within the sprayer or High-Pressure hose will cause permanent damage. Always store the sprayer with a multi-purpose light machine oil such as sewing machine oil or ISO 22 oil added to the sprayer pump as described in the section titled Storing the Sprayer.

## WYBÓR ROZPYLACZY

Końcówki natryskowe są ponumerowane w taki sposób, że:

### WYBÓR ROZPYLACZY

- Pierwsza cyfra pomnożona przez dwa daje szerokość natrysku w calach (z końcówką natryskową znajdującą się w odległości 1 stopy (30 cm) od natryskiwanej powierzchni).
- Dwie ostatnie cyfry określają rozmiar otworu w tysiącach cali (Uwaga: większy otwór zwiększa przepływ farby).
- Poniżej podano zalecane rozmiary kryzy końcówki natryskowej dla różnych typów materiałów powłokowych: Lakier i bejca: 0,007" – 0,013"      Emalia: 0,011" – 0,015"      Akryl: 0,015" – 0,021"

## DYSZA ROZPYLAĆ WSKAZÓWKA WYBÓR WYKRES

Otwór Rozmiar (Cale)

Rozpylać Szerokość (Cale)		0,007"	0,009"	0,011"	0,013"	0,015"	0,017"	0,019"	0,021"	0,023"	0,025"	0,027"	0,029"	0,031"	0,033"	0,035"	
	2- 4	107	109	111	113	115	117	119	121				129				
	4- 6		209	211	213	215	217	219	221		225	227	229	231			235
	6- 8	307	309	311	313	315	317	319	321	323	325	327	329	331	333		335
	8-10 _		409	411	413	415	417	419	421	423	425	427	429	431	433		435
	10-12 _		509	511	513	515	517	519	521	523	525	527	529	531	533		535
	12-14 _		609	611	613	615	617	619	621	623	625	627	629	631	633		635
	14-16 _			711	713	715	717	719	721	723	725	727	729	731	733		735
	16-18 _				813	815	817	819	821	823	825	827	829	831	833		835
	18-20 _									923		927		931	933		935

## ROZWIĄZYWANIE PROBLEMÓW

Problem	Przyczyna	Rozwiązanie
Moc przełącznik Jest NA, I opryskiwacz Jest zatkany W, Ale silnik robi nie biegaj i pompuj nie jeździ na rowerze.	Ciśnienie Kontrola Pokrętko Jest ustawić Na zerowe ciśnienie.	Zakręć Ciśnienie Kontrola Pokrętko zgodnie ze wskazówkami zegara Do zwiększyć ustawienie ciśnienia.
	Silnik Lub kontrola Jest uszkodzony.	Mieć the opryskiwacz serwisowany przez A wykwalifikowany osoba naprawiająca.
	Elektryczny wylot Jest nie dostarczenie moc.	Spróbuj inny wylot Lub przetestuj wylot z inny urządzenie lub obwód próbnik. Resetowanie the okrażenie wyłącznik lub Zastąp bezpiecznik.
	Rozszerzenie sznur Jest uszkodzony.	Zastępować the przedłużacz.

	Opryskiwacz elektryczny sznur Jest uszkodzony.	Wyjąć wtyczkę the przewod opryskiwacza I sprawdzać Do uszkodzona izolacja Lub przewody. Zastępować Jeśli uszkodzony.
	Farba i/lub woda Jest mrożony Lub stwardniało w pompie.	Odłączyć opryskiwacz od gniazdka. Jeśli zamrożony, nie próbuj uruchamiać opryskiwacza dopóki To Jest całkowicie rozmrożony Lub the silnik, płyta sterująca i/lub układ napędowy Być na stałe uszkodzony. Zapewnić the moc przełącznik Jest WYŁĄCZONY, miejsce the opryskiwacz W A ciepły obszar Do kilka godziny, Następnie wtyczka W the moc sznur I włącz opryskiwacz. Powoli zwiększyć ciśnienie ustawienie Do Widzieć Jeśli the silnik będzie początek. Jeśli farba ma zahartowany the opryskiwacz, pompa uszczelki, zawory, układ napędowy, i/lub przełącznik ciśnienia muszą być zastąpiony. Mieć the opryskiwacz serwisowany przez A wykwalifikowaną osobę zajmującą się naprawą.
Pompa nie główny.	Natryskiwanie/gruntowanie Przełącznik Jest W Rozpylać pozycja.	Zakręć Przełącznik natryskiwania/zalewania Do główny pozycja (wskazywanie w dół)
	Sito wlotowe jest zatkane lub ssanie rura Jest nie zanurzony.	Czysty gruz z wlot ekran I robić Jasne the ssanie rura Jest zanurzony W płyn.
	Pompa był nie zagruntowany z woda lub płyn płuczący na bazie rozpuszczalnika.	Usuń ssanie rurka z farba. główny the pompować właściwym płynem płuczającym.
	Wlot zawór sprawdzać piłka Jest zablokowany.	Usuń ssanie rurkę i umieść a ołówek do the sekcja wlotowa Do usunąć the piłka, pozwalając the pompa Do główny odpowiednio.

Wlot zawór sprawdzać piłka Lub siedziba Jest brudny.	Usunąć wlot dopasowywanie. Czysty lub Zastąp piłka i siedzisko.
Wylot sprawdzać piłka Lub siedziba Jest brudny.	Usunąć the wylot dopasowywanie. Czysty Lub zastępować piłka i siedzisko.
Ssanie rura Jest wyciek.	Dokręcać the ssanie rura połączenie. Sprawdzać Do pęknięcia lub próżnię przecieki.
Płyny Czy lepki Lub lepki.	Niektóre płyny moc główny szybciej Jeśli the Moc Przełącznik jest chwilowo wyłączony, więc pompa Moc powolny I zatrzymywać się. Powtórz kilka razy, jeśli to konieczne.

<b>Problem</b>	<b>Przyczyna</b>	<b>Rozwiązanie</b>
Pompa cykle Ale robi nie zbudować w górę ciśnienie.	Pompa Jest nie zagruntowany.	główny the pompa.
	Wlot ekran Jest zatkany	Usuń zanieczyszczenia z ekranu wlotowego i robić Jasne the ssanie rura Jest zanurzony W płyn.
	Ssanie rura Jest nie zanurzony W farba.	Robić Jasne the ssanie rura Jest zanurzony W farba.
	Ssanie rura Jest wyciek.	Dokręć złącze rury ssącej. Sprawdź rurkę pod kątem pęknięć lub podciśnienia przecieki. Jeśli pęknięty lub uszkodzony, zastępować the ssanie rura.
	Natryskiwanie/gruntowanie Zawór Jest noszony Lub zatkany gruzem.	Mieć the opryskiwacz obsługiwany przez A wykwalifikowany osoba naprawiająca.
	Wlot zawór sprawdzać piłka Jest zablokowany.	Wyjmij rurkę ssącą i umieść a ołówek do the sekcja wlotowa Do usunąć the piłka, pozwalając the pompa Do główny odpowiednio.



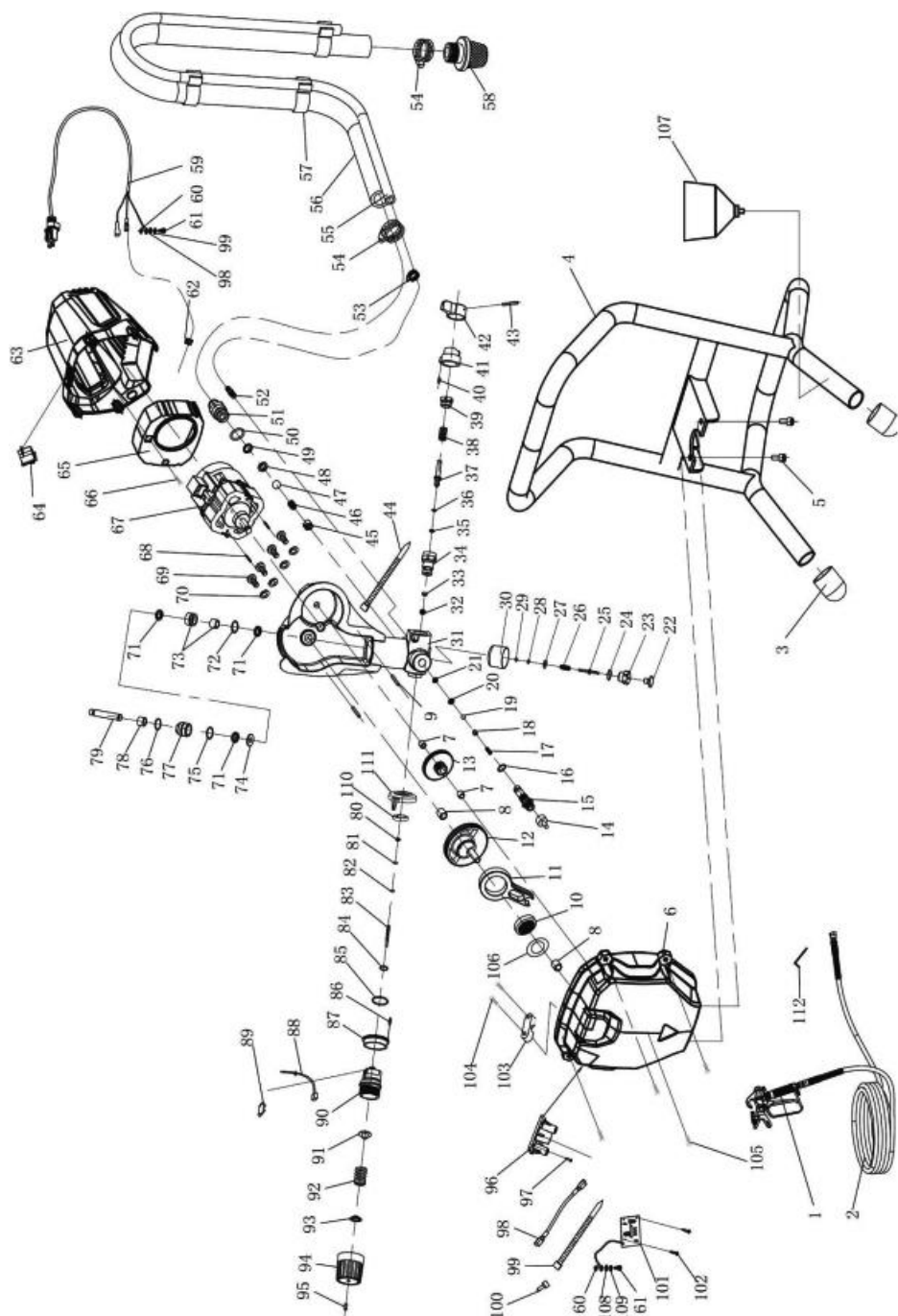
	Wlot zawór sprawdzać piłka Lub siedziba Jest brudny.	Usunąć wlot dopasowywanie. Czysty lub Zastąp piłka i siedzisko.
	Wylot sprawdzać piłka Lub siedziba Jest brudny.	Usunąć the wylot dopasowywanie. Czysty Lub zastępować piłka i siedzisko.
Pompa pracuje, ale tylko malowanie drybluje Lub tryska Kiedy the rozpylać pistolet jest uruchomiony.	Ciśnienie ustawić zbyt Niski.	Powoli zakręć the Ciśnienie Kontrola Pokrętle zgodnie ze wskazówkami zegara Do zwiększyć ciśnienie ustawienie.
	Dysza Rozpylać Wskazówka Jest zatkany.	Odblokuj the Dysza Końcówka natryskowa .
	Rozpylać pistolet filtr Jest zatkany.	Czysty lub wymienić the filtr W the rozpylać pistolet.
	Dysza Rozpylać Wskazówka Jest za duży Lub <b>WOITI</b> .	Zastępować the Dysza Końcówka natryskowa .
Ciśnienie Jest ustawić Na maksymalny Ale nie można uzyskać dobrego sprayu wzór.	Dysza Rozpylać Wskazówka Jest W the Odblokuj pozycja.	Łagodź : uśmierzać ciśnienie I obracać się the Dysza Rozpylać Wskazówka Więc the strzałka Jest wskazywanie z dala z uchwytu.
	Dysza Rozpylać Wskazówka Jest zbyt duży Do natryskiwana farba.	Wybierać A mniejszy Dysza Rozpylać Wskazówka.
	Dysza natryskowa Wskazówka Jest noszony.	Zastępować the Dysza Końcówka natryskowa .
	Rozszerzenie sznur Jest zbyt długi Lub nie wystarczająco ciężki miernik.	Zastępować the rozszerzenie sznur z A 12 AWG sznur.

	Rozpylać pistolet płyn filtr Jest zatkany.	Czysty Lub zastępować the rozpylać pistolet płyn filtr.
	Wlot ekran Jest zatkany.	Czysty gruz z wlot ekran.
	Pompa zawory Czy noszony, Lub gruz zatyka zawory.	Do sprawdzać Do noszony pompa zawory: główny the opryskiwacz z farbą. Uruchom pistolet chwilowo. Wkura the spust Jest wydany, pompa powinna na chwilę włączyć się i zatrzymywać się. Jeśli To trwa Do cykl, Następnie the pompa zawór może być noszony.
	Materiał malarski Jest zbyt gruby.	Cienki the farba materiał.
	Wysoki ciśnienie wąż gumowy Jest zbyt długi.	Jeśli inny wąż gumowy Sekcja ma zostać dodany, zdejmij przedłużenie węża.
<b>Problem</b>	<b>Przyczyna</b>	<b>Rozwiązanie</b>
Rozpylać pistolet zatrzymany rozpylający.	Ssanie rura Jest wyciek.	Dokręcić ssanie rura połączenie. Sprawdzać the rura Do pęknięcia Lub próżnia przecieki.
	Dysza Rozpylać Wskazówka Jest zatkany.	Odblokuj the Dysza Końcówka natryskowa .
Farba biegnie w dół the ściana Lub zwisa.	Płaszcz Jest pójście NA zbyt gruby.	Przenosić the pistolet szybciej. Wybierać A Dysza Rozpylać Wskazówka z A mniejszy otwór. Wybierać A Dysza Rozpylać Wskazówka z A szerszy wentylator. Zapewnić A wystarczający dystans (1 stopa Lub 30cm) od pistoletu do malowanego powierzchnia.

<p>Zasięg Jest zbyt cienki Lub spryskany farba jest niewystarczająca.</p>	<p>Płaszcz Jest pójście NA zbyt cienki.</p>	<p>Przenosić the pistolet wolniej. Wybierać dysza Rozpylać Porada z A większy otwór. Wybierać A Dysza Rozpylać Wskazówka z A węższy wentylator. Zapewnić A wystarczający dystans (1 stopa Lub 30cm) od pistoletu do malowanej powierzchni.</p>
<p>Wentylator wzór jest różny dramatycznie chwila rozpylający. LUB Opryskiwacz robi nie zakręt NA natychmiast Kiedy wznawianie rozpylający.</p>	<p>Pokrętko kontroli ciśnienia jest noszony I spowodowanie nadmierny ciśnienie zmiana.</p>	<p>Mieć the opryskiwacz serwisowany przez A wykwalifikowany osoba naprawiająca.</p>
<p>Nie można uruchomić the rozpylać pistolet.</p>	<p>Rozpylać pistolet spust zamek Jest zablokowany.</p>	<p>Obracać się the wyzwalacz bezpieczeństwa dźwignia do the odblokować pozycja.</p>
<p>Farba Jest nadchodzący na zewnątrz z the pokrętko regulacji ciśnienia.</p>	<p>Ciśnienie Kontrola Pokrętko Jest noszony.</p>	<p>Mieć the opryskiwacz obsługiwany przez A wykwalifikowany osoba naprawiająca.</p>
<p>Uruchamia się zawór natryskiwania/zalewania automatycznie przynosi ulgę ciśnienie Poprzez the Wyjście główny Rura.</p>	<p>System Jest pod ciśnieniem.</p>	<p>Mieć the opryskiwacz serwisowany przez A wykwalifikowany osoba naprawiająca.</p>

Farba przecieki w dół the poza z the pompa.	Pompa uszczelka uszczelki mają noszony.	Wymienić pompę uszczelka uszczelki.
Silnik jest gorący i działa sporadycznie. Silnik automatycznie zamyka się wyłączony należy Do nadmierne ciepło. Szkoda Móc zdarzać się Jeśli przyczyna Jest nie poprawione.	kratka wentylacyjna dziury W silnik załącznik są zatkane lub opryskiwacz jest pokryty.	Trzymać kratka wentylacyjna dziury jasne z przeszkody i nadmierny spray, i zatrzymaj opryskiwacz nieosłonięty i otwarty na powietrze.
	Rozszerzenie sznur Jest zbyt długi Lub nie wystarczająco ciężki miernik.	Zastępować the rozszerzenie sznur z A 12 AWG sznur.
	Nieuregulowane elektryczny generator używany jest nadmierny Napięcie.	Używać jakiś elektryczny generator z A właściwy Regulator napięcia. Opryskiwacz wymaga 120 V AC, 60 Hz, Generator o mocy 1500 W.

## SCHEMAT CZĘŚCI



## LISTA CZĘŚCI

NIE.	Opis	NIE.	Opis	NIE.	Opis	NIE.	Opis
1	Duszny Rozpylać Pistolet	34	Naciskać. Ulga Gniazdo zaworu	67	Silnik Montaż	100	Zamykający Pierścień
2	Wysoki Ciśnienie Wąż gumowy	35	O-ring, 5 X 1.8	68	Szpilka, 3 x12	101	PCB Montaż
3	Stopa Naramienniki	36	Pierścień	69	Kłątwa Śruba, SM X 14	102	Samego siebie Stukający Śruba
4	Baza Rama	37	Naciskać. Ulga Zawór Wał	/ O	Wiosna Pralka, M5	103	Linia bazowa Płyta
5	Kłątwa Śruba, M6 X 25	38	Wiosna	71	Złożony Wspornikowy Pierścień	104	Śruba, M4 X 20
6	Ośłona pompy	39	Wiosna Siedziba	72	O-ring, 22,5 X 1.8	105	Śruba, M4.8 x 16
7	sm Mosiądz Tuleja	40	Szpilka, 3 x8	73	Pułapka	106	Wałek Bryg. Kwer.
8	Długie Mosiądz Tuleja	41	Przełącznik Siedziba	74	Płaski Pralka	107	Lejek
9	Szpilka, 5 X 12	42	Przełącznik Pokrętko	75	Foka Pierścień	108	Płaski Podkładka, M4
10	Wałek Łożysko	43	Szpilka, 2.5 x25	76	O-ring, 26,5 X 1.8	109	Wiosna Pralka, M4
11	Złączony Pręt	44	Nylon Kabel Krawat	77	Tłok nurnikowy Siedziba	110	Naciskać. Kontroler Uszczelka
12	Korba Koło zębate	45	Wlot Wiosna Uchwyt	78	Przewodnik Ośłona	111	Naciskać. Kontroler Wskaźnik Pierścień
13	Grupa Bieg	46	Wlot Wiosna	79	Tłok		
14	Nitka Ochraniacz	47	Stal Piłka, 12.7	80	Zamek Rękaw		
15	Wypisać Gniazdo zaworu	48	Wlot Foka	81	Wzmocnione Foka		
16	0-pierścień, 10x 8	49	Wlot Pralka	82	Biały Foka		
17	Wyjście wiosna	50	0-pierścień, 17x1,8	83	Przełącznik Wał		
18	Kleszczak	51	Wlot Port	84	O-ring, 8,8 X 1.9		

19	Stal Piłka, 6.4	52	Naciskać. Ulga Wtyczka	85	O-ring, 27 X 2.4		
20	Siedzisko Uszczelki	53	sm Wąż gumowy Zacisk	86	Śruba, M3 X 10		
21	Wyjście Pralka	54	Długie Wąż gumowy Zacisk	87	Koniec Czapka		
22	Naciśnij przycisk	55	Elementarz Wyjście Rura	88	Mikro przełącznik Zespół.		
23	Naciśnij przycisk Wiosna	56	Ssanie Rura	89	Oslona mikroprzełącznika		
24	0-pierścień, 10x 1,5	57	Zacisk węża	90	Naciskać. Kontroler Siedziba Wstawić		
25	Naciśnij przycisk Wał	58	Wlot Ekran Zespół.	91	Czapka deflacyjna		
26	Naciśnij przycisk Wiosna	59	Kabel zasilający	92	Naciskać. Kontroler Wiosna		
27	Mosiądz Odstępnik	60	Przeciwnakrętka	93	Wiosna Siedziba		
28	Wspornikowy Pierścień	61	Śruba, M4 X 8	94	Naciskać. Kontroler Pokrętło		
29	O-ring 2.4 X 1.8	62	Sznur Napięcie Ulga	95	Naciskać. Kontroler Śruba		
30	Naciśnij przycisk Mieszkania	63	Silnik Mieszkania	96	PCB Wsparcie Bkt.		
31	Pompa Mieszkania	64	Moc Przełącznik	97	Śruba, M4 x 10		
32	Plastikowy Pralka	65	Wentylator Oslona	98	Drut Złącze		
33	Plastikowy Pralka	66	Śruba, 2 x16	99	Nylon Kabel Krawat		

**Adres:** Baoshanqu Shuangchenglu 803long 11hao 1602A-1609shi Szanghaj

**Import do AUS:** SIHAO PTY LTD . 1 ROKEVA STREETEASTWOOD NSW 2122  
Australia

**Import do USA:** Sanven Technology Ltd. Suite 250, 9166 Anaheim Place, Rancho  
Cucamonga, CA 91730

<b>EC</b>	<b>REP</b>	SHUNSHUN GmbH Römeräcker 9 Z2021,76351 Linkenheim-Hochstetten, Germany
-----------	------------	--

<b>UK</b>	<b>REP</b>	Pooledas Group Ltd Unit 5 Albert Edward House, The Pavilions Preston, United Kingdom
-----------	------------	--

**Wyprodukowano w Chinach**



**VEVOR**<sup>®</sup>

**TOUGH TOOLS, HALF PRICE**

**Techniczny Certyfikat wsparcia i e-gwarancji**

**[www.vevor.com/support](http://www.vevor.com/support)**

# **VEVOR<sup>®</sup>**

## **TOUGH TOOLS, HALF PRICE**

Technisch Support- und E-Garantie-Zertifikat [www.vevor.com/support](http://www.vevor.com/support)

## **Hochdruck-Airless-Farbspritzgerät**

We continue to be committed to provide you tools with competitive price.

"Save Half", "Half Price" or any other similar expressions used by us only represents an estimate of savings you might benefit from buying certain tools with us compared to the major top brands and does not necessarily mean to cover all categories of tools offered by us. You are kindly reminded to verify carefully when you are placing an order with us if you are actually saving half in comparison with the top major brands.

# VEVOR<sup>®</sup>

TOUGH TOOLS, HALF PRICE

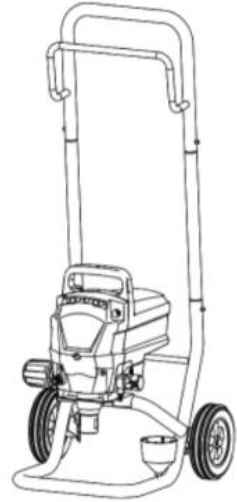
## HIGH PRESSURE AIRLESS PAINT SPRAYER



RP862 6



RP862 6 PLUS



### NEED HELP? CONTACT US!

Have product questions? Need technical support? Please feel free to contact us:



**Technical Support and E-Warranty Certificate**  
[www.vevor.com/support](http://www.vevor.com/support)


This is the original instruction, please read all manual instructions carefully before operating. VEVOR reserves a clear interpretation of our user manual. The appearance of the product shall be subject to the product you received. Please forgive us that we won't inform you again if there are any technology or software updates on our product.









## 9. Wichtige Sicherheitsanweisungen

Diese Bedienungsanleitung dient Ihrem Nutzen . Bitte lesen und befolgen Sie die Sicherheits-, Installations- und Wartungshinweise und Fehlerbehebungsschritte, die darin beschrieben sind, um Ihre Sicherheit und Zufriedenheit zu gewährleisten. Der Inhalt dieser Anleitung Handbuch basieren auf den neuesten Produktinformationen, die zum Zeitpunkt der Veröffentlichung verfügbar waren. Der Hersteller behält sich das Recht vor, jederzeit und ohne Vorankündigung Produktänderungen vorzunehmen. Handbuch enthaltenen Sicherheitshinweise decken nicht ab mögliche Bedingungen und Praktiken, die Beim Betrieb, der Wartung und der Reinigung von Elektrogeräten können Gefahren auftreten. Lassen Sie immer Ihren gesunden Menschenverstand walten und achten Sie besonders auf alle GEFAHR-, WARN-, VORSICHT- und HINWEIS-Hinweise Aussagen in diesem Handbuch.

Etiketten pflegen. Diese enthalten wichtige Informationen. Das Etikett Ihres Werkzeugs kann die folgenden Symbole enthalten. Die Symbole und ihre Definitionen lauten wie folgt:

Symbol	Eigentum oder Aussage
	Warnung – Um das Verletzungsrisiko zu verringern, muss der Benutzer die Bedienungsanleitung sorgfältig lesen . Lesen und verstehen Sie diese Bedienungsanleitung, bevor Sie dieses Produkt verwenden. Andernfalls kann es zu schweren Verletzungen oder zum Tod kommen.
	<b>Sicherheitswarnsymbol</b> Dieses Symbol vor einem Sicherheitshinweis weist auf eine Art Vorsichtsmaßnahme, Warnung oder Gefahr hin. Das Ignorieren dieser Warnung kann zu einem Unfall führen. Um das Risiko von Verletzungen, Bränden oder Stromschlägen zu verringern, befolgen Sie bitte immer die unten aufgeführten Empfehlungen.

	<b>Gefahr!</b> Es besteht die Gefahr von Personen- oder Umweltschäden! Risiko eines elektrischen Schlages! Es besteht Verletzungsgefahr durch Stromschlag!
	Warnung: Tragen Sie bei der Verwendung dieses Produkts unbedingt Gehörschutz.
	Warnung: Tragen Sie bei der Verwendung dieses Produkts unbedingt einen Augenschutz.
	Warnung: Tragen Sie bei der Verwendung dieses Produkts unbedingt Staubmasken.
	Warnung: Tragen Sie bei der Verwendung dieses Produkts unbedingt Handschuhe.
	Brandgefahr
	 Explosionsgefahr.
	  Gefahr einer Hautinjektion.
	 Gefahr giftiger Dämpfe. Nur in gut belüfteten Bereichen verwenden.
	Gefahr durch unter Druck stehende Aluminiumteile.
	Vermeiden Sie Zündquellen wie Zündflammen, Zigaretten, tragbare Lampen usw.
	Systemdruck entlasten.

	<p>Heiße Oberflächen/Verbrennungsgefahr.</p>
	<p><b>Entsorgungshinweise:</b>  Dieses Produkt unterliegt den Bestimmungen der europäischen Richtlinie 2012/19/EG. Das Symbol einer durchgestrichenen Mülltonne weist darauf hin, dass das Produkt in der Europäischen Union einer getrennten Müllsammlung bedarf. Dies gilt für das Produkt und alle Zubehörteile, die mit diesem Symbol gekennzeichnet sind. Als solche gekennzeichnete Produkte dürfen nicht über den normalen Hausmüll entsorgt werden, sondern müssen an einer Sammelstelle für das Recycling von Elektro- und Elektronikgeräten abgegeben werden .</p>
V	Volt
A	Ampere
Hz	Hertz
W	Watt
	Wechselstrom (AC)
	Gleichstrom (DC)
	Wechsel- oder Gleichstrom (AC/DC)
	Essensterminal
	Bauklasse I (geerdet)
	Bauweise der Klasse II (doppelt isoliert)
PSI	Pfund pro Quadratzoll
MPa	Megapascal
U/min	Revolutionen pro Minute

Mindest	Protokoll
S	Sekunden

# ALLGEMEINE SICHERHEITSVORSCHRIFTEN FÜR ELEKTROWERKZEUGE

## EINE WARNUNG

**LESEN SIE ALLE SICHERHEITSHINWEISE UND ANWEISUNGEN.** Die Nichtbeachtung der

**Warnungen und Anweisungen** kann zu Stromschlägen, Bränden, Explosionen und/oder schweren Verletzungen führen.

**Bewahren Sie alle Warnhinweise und Anweisungen zum späteren Nachschlagen auf.**

**Der Begriff „Elektrowerkzeug“ in den Warnhinweisen bezieht sich auf Ihr netzbetriebenes (kabelgebundenes) Elektrowerkzeug.**

## EINE SICHERHEIT

- Halten Sie den Arbeitsbereich sauber und gut beleuchtet. Überladene oder dunkle Bereiche laden dazu ein Unfälle
- Betreiben Sie Elektrowerkzeuge nicht in explosionsgefährdeten Bereichen, beispielsweise in der Nähe von brennbaren Flüssigkeiten, Gasen oder Staub. Elektrowerkzeuge erzeugen Funken, die den Staub oder die Dämpfe entzünden können.
- Halten Sie Kinder und Unbeteiligte fern, während Sie ein Elektrowerkzeug bedienen. Ablenkungen können dazu führen, dass Sie die Kontrolle verlieren.

## AL

- **Bleiben Sie wachsam, achten Sie darauf, was Sie tun, und verwenden Sie Ihren gesunden Menschenverstand, wenn Sie ein Elektrowerkzeug bedienen. Benutzen Sie ein Elektrowerkzeug nicht, wenn Sie müde sind oder unter dem Einfluss von Drogen, Alkohol oder Medikamenten stehen. Ein Moment der Unaufmerksamkeit beim Betrieb von Elektrowerkzeugen kann zu schweren Verletzungen führen.**
- **Persönliche Schutzausrüstung verwenden. Tragen Sie immer einen**

**Augenschutz mit Seitenschutz. Schutzausrüstung wie Atemschutzmasken, Staubmasken, rutschfeste Sicherheitsschuhe, Schutzhelm und Gehörschutz reduzieren Personenschäden.**

- **Unbeabsichtigtes Starten verhindern. Stellen Sie sicher, dass der Schalter ausgeschaltet ist, bevor Sie das Gerät an die Stromquelle anschließen, es aufnehmen oder tragen . Elektrowerkzeuge mit dem Finger tragen**
  - Das Berühren des Schalters oder das Einschalten von Elektrowerkzeugen, bei denen der Schalter eingeschaltet ist, kann zu Unfällen führen.
  - **Übertreiben Sie es nicht.** Achten Sie stets auf den richtigen Stand und das Gleichgewicht, um in unerwarteten Situationen eine bessere Kontrolle über das Elektrowerkzeug zu ermöglichen .
  - **Ziehe dich richtig an.** Tragen Sie keine lockere Kleidung oder Schmuck. Halten Sie Haare, Kleidung und Handschuhe von beweglichen Teilen fern. Lose Kleidung, Schmuck oder lange Haare können von beweglichen Teilen erfasst werden.
  - **Halten Sie Griffe und Griffflächen trocken und sauber und frei von Öl und Fett.** Rutschige Griffe und Greifflächen ermöglichen keine sichere Handhabung und Kontrolle des Werkzeugs in unerwarteten Situationen.
  - **Lassen Sie nicht zu, dass die durch den häufigen Gebrauch von Werkzeugen gewonnene Vertrautheit dazu führt, dass Sie selbstgefällig werden und Sicherheitsprinzipien außer Acht lassen.** Eine unvorsichtige Handlung kann innerhalb von Sekundenbruchteilen zu schweren Verletzungen führen.
  - **Dieses Produkt ist nicht für die Verwendung durch Personen (einschließlich Kinder) bestimmt, deren körperliche, sensorische oder geistige Fähigkeiten verändert oder eingeschränkt sind oder denen es an Erfahrung oder Wissen mangelt, es sei denn, diese Personen werden von einer Person beaufsichtigt oder in der Bedienung des Geräts geschult für ihre Sicherheit verantwortlich.** Kinder sollten **beaufsichtigt werden** , um sicherzustellen, dass sie das Gerät nicht als Spielzeug verwenden.

#### VON ELEKTROWERKZEUGEN VERWENDUNG

- **REINIGEN SIE DAS SPRÜHGERÄT NACH JEDEM GEBRAUCH.**
- **Üben Sie beim Arbeiten mit dem Elektrowerkzeug keine Gewalt aus.** Verwenden Sie das richtige Elektrowerkzeug für Ihre Anwendung. Das richtige Elektrowerkzeug erledigt die Arbeit bei der Geschwindigkeit, für die es entwickelt wurde, besser und sicherer.



- **Verwenden Sie das Elektrowerkzeug nicht, wenn der Schalter es nicht ein- und ausschaltet. Jedes Elektrowerkzeug, das nicht mit dem Schalter gesteuert werden kann, ist gefährlich und muss repariert werden.**
- **Ziehen Sie den Stecker aus der Stromquelle, bevor Sie Einstellungen vornehmen, Zubehör wechseln oder Elektrowerkzeuge aufbewahren. Solche vorbeugenden Sicherheitsmaßnahmen verringern das Risiko eines versehentlichen Startens des Elektrowerkzeugs.**
- **Bewahren Sie unbenutzte Elektrowerkzeuge außerhalb der Reichweite von Kindern auf und erlauben Sie nicht, dass Personen, die mit dem Elektrowerkzeug oder dieser Anleitung nicht vertraut sind, das Elektrowerkzeug bedienen. Elektrowerkzeuge sind in den Händen ungeschulter Benutzer gefährlich.**
- **Warten Sie Elektrowerkzeuge. Überprüfen Sie, ob die beweglichen Teile falsch ausgerichtet sind oder festsitzen, ob Teile gebrochen sind oder ob andere Zustände vorliegen, die den Betrieb des Elektrowerkzeugs beeinträchtigen könnten. Lassen Sie das Elektrowerkzeug bei Beschädigung vor dem Gebrauch reparieren. Viele Unfälle werden durch schlecht gewartete Elektrowerkzeuge verursacht.**

#### **SERVICE**

- **Benutzen Sie Elektrowerkzeug, Zubehör, Werkzeugeinsätze usw. gemäß dieser Anleitung und berücksichtigen Sie dabei die Arbeitsbedingungen und die auszuführenden Arbeiten.** Die Verwendung des Elektrowerkzeugs für andere als die vorgesehenen Zwecke kann zu einer gefährlichen Situation führen.
- **Überprüfen Sie vor jedem Gebrauch, ob beschädigte Teile vorhanden sind.** Überprüfen Sie, ob die Schutzvorrichtungen ordnungsgemäß funktionieren und ihre beabsichtigte Funktion erfüllen. Überprüfen Sie die Ausrichtung der beweglichen Teile, das Festsitzen der beweglichen Teile, den Bruch von Teilen, die Montage und alle anderen Bedingungen, die den Betrieb beeinträchtigen könnten. Ein beschädigter Schutz oder ein anderes Teil sollte von einem autorisierten Servicecenter ordnungsgemäß repariert oder ersetzt werden. Das Befolgen dieser Regel verringert das Risiko von Stromschlägen, Bränden oder schweren Verletzungen.
- **Überprüfen Sie das Elektrowerkzeugkabel regelmäßig. Wenn es beschädigt**

ist, darf es nur vom Hersteller oder einem autorisierten Servicecenter ausgetauscht werden, um Risiken zu vermeiden. Das Befolgen dieser Regel verringert das Risiko eines Stromschlags oder eines Brandes.

- **Lassen Sie Ihr Elektrowerkzeug von einem qualifizierten Reparaturfachmann warten und verwenden Sie ausschließlich identische Ersatzteile** . Dadurch wird sichergestellt, dass die Sicherheit des Elektrowerkzeugs gewahrt bleibt.

## SPEZIFISCHE SICHERHEITSHINWEISE

### EINE WARNUNG

Dieses Spritzgerät ist nicht für den Einsatz mit entflammaren oder brennbaren Materialien bestimmt, die in industriellen oder ortsfesten Anwendungen wie Fabriken oder Lackierereien verwendet werden. Befolgen Sie alle geltenden Bundes-, Landes- oder Provinzvorschriften und erfüllen Sie die NFPA 33- und OSHA-Anforderungen, wenn Sie in diesen Anwendungen verwendet werden. Befolgen Sie alle geltenden Bundes-, Landes- oder

### BRANDSICHERHEIT

### ! GEFAHR



Um die Brand- oder Explosionsgefahr zu verringern:

- **Lösungsmittel- und Lackdämpfe sind brennbar und können sich entzünden oder explodieren**. Nur in einem gut belüfteten Bereich verwenden und frische Luft durch den Arbeitsbereich strömen lassen . Halten Sie die Pumpe gut belüftet und besprühen Sie die Pumpenbaugruppe nicht mit Wasser.
- **Sprühgerät erzeugt Funken**. Wenn brennbare Flüssigkeiten in oder in der Nähe des Spritzgeräts oder zum Spülen oder Reinigen verwendet werden, halten Sie das Spritzgerät mindestens 6 m von explosiven Dämpfen entfernt.
- **Sprühen Sie keine brennbaren oder brennbaren Materialien in die Nähe**

**von offenen Flammen oder Zündquellen wie Warmwasserbereitern, Zigaretten, Motoren und elektrischen Geräten mit Zündflammen** . Verwenden Sie nur Materialien auf Wasserbasis oder Lösungsbenzin mit einem Flammpunkt über 21 °C (70 °F).

- **Durch das Gerät fließende Farbe oder Lösungsmittel können zu statischer Elektrizität führen.** Bei statischer Elektrizität besteht Brand- oder Explosionsgefahr Farb- oder Lösungsmitteldämpfe . Alle Teile des Sprühsystems , einschließlich Pumpe, Schlauchleitung, Sprühpistole und Gegenstände im und um den Sprühbereich, müssen ordnungsgemäß geerdet sein, um vor statischer Entladung und Funken zu schützen. Verwenden Sie nur vom Hersteller angegebene leitfähige oder geerdete Hochdruck-Airless-Farbspritzschläuche .
- **Verhindern Sie statische Entladungen, indem Sie sicherstellen, dass alle Behälter und Sammelsysteme ordnungsgemäß geerdet sind.**
- **Verwenden Sie immer eine geerdete Steckdose und geerdete Verlängerungskabel.** Verwenden Sie keinen 3-zu-2-Steckeradapter.
- **Verwenden Sie keine Farben oder Lösungsmittel, die halogenierte Kohlenwasserstoffe enthalten.** Informieren Sie sich über die Inhaltsstoffe der versprühten Farben und Lösungsmittel. Lesen Sie alle Sicherheitsdatenblätter (MSDS) und Behälteretiketten, die den Farben und Lösungsmitteln beiliegen. Befolgen Sie die Sicherheitshinweise des Lack- und Lösungsmittelherstellers.
- **Halten Sie immer einen funktionsfähigen Feuerlöscher in der Nähe.**
- **Im Arbeitsbereich nicht rauchen.**
- **Betätigen Sie im Sprühbereich keine Lichtschalter, Motoren oder ähnliche funkenerzeugende Produkte .**
- **Halten Sie den Arbeitsbereich sauber und frei von Farb- oder Lösungsmittelbehältern, Lappen und anderen brennbaren Materialien.**

**! DANGER**



### Um das Risiko eines Stromschlags zu verringern:

- **Für dieses Produkt ist eine ordnungsgemäß geerdete Steckdose erforderlich, um das Risiko eines Stromschlags zu verringern.** Stellen Sie sicher, dass die Steckdose gemäß allen örtlichen Vorschriften und Verordnungen ordnungsgemäß geerdet ist. Stecker und Steckdose sollten wie in Abb. A aussehen. Wenden Sie sich an einen qualifizierten Elektriker oder Servicetechniker, wenn Sie die Erdungsanweisungen nicht verstehen oder Zweifel daran bestehen, ob das Gerät ordnungsgemäß geerdet ist.
- **mit dem Werkzeug gelieferten Netzkabelstecker** . Entfernen Sie niemals den Erdungsstift vom Stecker. Wenn der Stecker nicht in die Steckdose passt, lassen Sie von einem qualifizierten Elektriker eine geeignete Steckdose installieren.
- **Benutzen Sie das Werkzeug nicht, wenn das Netzkabel oder der Stecker beschädigt ist.** Wenn es beschädigt ist, lassen Sie es vor der Verwendung von einer Serviceeinrichtung reparieren.
- **Steckdose muss zum Stecker passen.** Verwenden Sie keinen Adapter mit geerdetem Stecker. Unveränderte Stecker und passende Steckdosen verringern das Risiko eines Stromschlags.
- **Vermeiden Sie Körperkontakt mit geerdeten oder geerdeten Oberflächen wie Rohren, Heizkörpern, Herden und Kühlschränken.** Es besteht ein erhöhtes Risiko eines Stromschlags, wenn Ihr Körper geerdet oder geerdet ist.
- **Setzen Sie dieses Produkt weder Regen noch Nässe aus** . Wenn Wasser in das Produkt eindringt, erhöht sich das Risiko eines Stromschlags.
- **Wenn ein Verlängerungskabel benötigt wird, verwenden Sie mindestens ein 12 AWG (2,5 mm) Kabel, um die richtige Strommenge für das Werkzeug bereitzustellen.** Ein unterdimensioniertes Kabel führt zu einem Spannungsabfall und damit zu einem Stromausfall und Überhitzung.
- **Verwenden Sie nur ein 3-adriges Verlängerungskabel mit einem Erdungsstecker, das über eine ordnungsgemäß geerdete Steckdose verfügt , die den Stecker dieses Werkzeugs akzeptiert** .



- **Befolgen Sie die örtlichen Vorschriften, wenn Sie einen Lösungsmittleimer zum Spülen auswählen.** Verwenden Sie nur leitfähige Metalleimer, die auf einer geerdeten Oberfläche wie Beton aufgestellt werden. Stellen Sie den Eimer nicht auf eine nicht leitende Oberfläche wie Papier oder Pappe. Schließen Sie ein Erdungskabel zwischen dem Eimer und einer Erdung an, beispielsweise einem Metallrohr. Beim Spülen oder Druckentlasten halten Sie einen Metallteil der Spritzpistole gegen den Eimer, um den Durchgang zur Erde sicherzustellen, und sprühen Sie dann.

#### HAUTINJEKTIONS-SICHERHEIT ABSCHNITT



**IM FALLE EINER UNBEABSICHTIGTEN HAUTINJEKTION SUCHEN SIE SOFORT EINE MEDIZINISCHE BEHANDLUNG!** Hochdruckspray oder Lecks können in die Haut eindringen und zu schweren oder tödlichen Verletzungen führen.

**Um das Risiko einer Hautinjektion zu verringern:**

- **Überprüfen Sie, ob alle Verbindungen festgezogen sind, BEVOR Sie das Gerät einschalten.**
- **Richten Sie die Pistole oder das Spray nicht auf Personen oder Tiere.**
- **Halten Sie Hände und andere Körperteile von der Sprühspitze und undichten Stellen fern.** Versuchen Sie nicht, Lecks mit irgendeinem Körperteil zu stoppen.
- **Benutzen Sie immer einen Düsenspitzenschutz.** Sprühen Sie niemals ohne installierten Düsenspitzenschutz.

- **Aktivieren Sie die Abzugssperre, wenn Sie nicht sprühen.** Das Gerät hält den Druck aufrecht, nachdem die Stromversorgung abgeschaltet wurde.
- **Überprüfen Sie die Schläuche und Teile vor jedem Gebrauch auf etwaige Schäden.** Ersetzen Sie beschädigte Schläuche oder Teile nur durch Originalersatzteile .
- **Ersatzkomponenten müssen einen Nenndruck von mindestens 3000 PSI (205 bar) haben.**

**! WARNING**



- **Befolgen Sie immer die Vorgehensweise zur Druckentlastung , um das Gerät auszuschalten und den Druck zu entlasten.** Lassen Sie das Gerät nicht unter Spannung stehen oder unter Druck stehen, wenn es unbeaufsichtigt ist oder nicht verwendet wird.
- **Seien Sie vorsichtig beim Reinigen und Wechseln von Schläuchen, Düsenspitzen, Spitzenschutz oder beim Installieren von Verlängerungen.** Befolgen Sie das Verfahren zur Druckentlastung , um den Druck auszuschalten und zu entlasten, bevor Sie versuchen, Änderungen vorzunehmen.

**HEISSE OBERFLÄCHENSICHERHEIT**

**! WARNING**



**Unter Druck stehende Geräteoberflächen und Flüssigkeiten können während des Betriebs heiß werden. Vermeiden Sie Verbrennungen, indem Sie heiße Flüssigkeiten oder Geräte nicht berühren.**

**SICHERHEIT DER**



Die missbräuchliche Verwendung dieses Geräts kann zum Tod oder zu schweren Verletzungen führen.

- **Betreiben Sie das Gerät nicht, wenn Sie müde oder unter Druck sind der Einfluss von Drogen oder Alkohol.**
- **Giftige Flüssigkeiten oder Dämpfe können schwere Verletzungen verursachen Wenn Spritzer in die Augen oder auf die Haut gelangen, eingeatmet** oder verschluckt werden, kann dies zum Tod führen. Tragen Sie immer persönliche Schutzkleidung Schutzausrüstung einschließlich Augenschutz, Gesichtsschutz, Gehörschutz und Atemschutzmaske oder Gesicht Maske. Lesen Sie immer das Sicherheitsdatenblatt und machen Sie sich mit dem vertraut Besondere Gefahren für die von Ihnen verwendete Flüssigkeit.
- Überschreiten Sie nicht den maximalen Arbeitsdruck oder Temperaturbewertung der niedrigsten Bewertung Systemkomponente.
- **Verwenden Sie verträgliche Flüssigkeiten und Lösungsmittel mit Ausrüstung. Lesen** Sie immer Flüssigkeit und Lösungsmittel Herstellerwarnungen.
- **Unter Druck stehende Geräte können auch ohne starten Warnung.** Vor der Inspektion, dem Umzug oder der Wartung Befolgen Sie die Hinweise zur Druckentlastung des Geräts Verfahren Sie in diesem Handbuch und trennen Sie die Verbindung Stromversorgung.

**UNTER DRUCK STEHEN ALUMINIUM-SICHERHEIT**

**⚠ WARNING**



Verwendung von Flüssigkeiten, die mit Aluminium nicht kompatibel sind in unter Druck stehenden Geräten kann zu schweren Verletzungen führen chemische Reaktion und Gerätebruch. Versagen Das Befolgen dieser Warnung kann zum Tod, zu schweren Verletzungen oder zu Sachschäden führen.

Verwenden Sie kein 1,1,1- Tri - Trichlorethan, Methylen Chlorid oder andere Halogenverbindungen Kohlenwasserstoff Lösungsmittel oder Flüssigkeiten, die solche Lösungsmittel enthalten.

Viele andere Flüssigkeiten können Chemikalien enthalten kann mit Aluminium reagieren. Kontaktieren Sie Ihr Material Fragen Sie Ihren Lieferanten nach der Kompatibilität .

## WARNING

vor der Verwendung dieses Produkts alle Anweisungen und Sicherheitswarnungen. Eine unsachgemäße Verwendung kann zu schweren Verletzungen oder Sachschäden führen.

1. Warnungen \_ muss Sei gefolgt sorgfältig \_\_ Zu vermeiden Körper Verletzung. Unangemessen verwenden Mai Ergebnis In Stromschlag, Feuer, Personenschäden und andere Schäden:

- 1 ) Behalten Ziehen Sie den Stecker heraus, wenn Bewegen der Maschine.
- 2 ) Behalten Ziehen Sie den Stecker heraus, wenn installieren \_ Zubehör
- 3 ) Anbringen eine Wohnung und stabil Plattform Und arbeiten unterbelüftet Bedingungen
- 4) Tragen Sie etwas Besonderes Schutzausrüstung , wenn Betriebs Die Maschine
- 5) Tun Sie es Verwenden Sie dies nicht Maschine In A Gefahrenstelle.
- 6) Tun Sie es nicht verwenden Wann Die Maschine Ist nicht Arbeiten richtig .
- 7) Tun Sie es nicht zerlegen Und Reparatur Das Maschine .
- 8) Tun Sie es nicht verwenden ein ungeeignet Wechselstrom Auslauf .
- 9) Tun Sie es nicht berühren Heizung Platte, wenn Die Maschine heizt .
- 10) Tun Sie es nicht nutzen in einem feuchten Umwelt oder Kontakt mit Wasser. Tun nicht infiltrieren \_\_ flüssig In Die Maschine zu Feuer



verhindern oder Stromschlag verursacht werden durch Kurzschluss.

11) Tun Sie es nicht verwenden Die Leistung liefern Das tut nicht treffen Die bewertet Stromspannung . Der Leistung liefern das tut nicht die angegebene Spannung erreichen kann einen Brand verursachen oder elektrisch Schock.

12) Stellen Sie sicher Das Die Maschine Ist geerdet Also als nicht Zu Ursache Schaden zum Körper . \_

13) Tun Sie es nicht berühren rotierend \_ Stange oder Lager Trennen Sie sich dabei von Ihren Fingern verwenden In Fall von Verletzungen .

14) Wenn Die Maschine Ist nicht In verwenden für A lang Zeit , Bitte ausstecken Die Leistung Kabel aus Die Steckdose .

15) Tun nicht verwenden Maschine bei Gewitter oder Beleuchtung Zu vermeiden Schaden an Die Maschine .

16) Platzieren Sie die Legen Sie die Maschine reibungslos auf den flammhemmenden Tisch Und Bleib davon weg f I bin fähig und explosiv Artikel.

17 ) Pacht stoppen verwenden Es Wenn Die Maschine raucht , strahlt aus A eigenartig Geruch , oder wird laut Und In andere anormale Bedingungen.

18) Dieses Gerät dürfen Sei gebraucht von Kindern alt aus 8 Jahre Und über Und Personen mit reduziert körperlich , sensorisch oder mental Fähigkeiten oder Mangel von Erfahrung Und Wissen \_ wenn sie beaufsichtigt oder in die sichere Verwendung des Geräts eingewiesen wurden Weise und verstehen Sie die damit verbundenen Gefahren. Kinder dürfen nicht mit dem Gerät spielen. Reinigung und Benutzerwartung dürfen nicht von Kindern ohne Aufsicht durchgeführt werden

27) Typ Z : Wenn das Netzkabel nicht ausgetauscht werden kann . Wenn das Kabel beschädigt ist, sollte das Gerät verschrottet werden.

28) Um eine Gefahr durch unbeabsichtigtes Zurücksetzen des Thermoschutzschalters zu vermeiden, ist dies Das Gerät darf nicht über ein externes Schaltgerät, z. B. eine Zeitschaltuhr, versorgt werden an einen Stromkreis angeschlossen, der vom Energieversorger regelmäßig ein- und ausgeschaltet wird.

## FCC INFORMATION

**VORSICHT:** Änderungen oder Modifikationen, die nicht ausdrücklich von der für die Einhaltung verantwortlichen Partei genehmigt wurden, können zum Erlöschen der Berechtigung des Benutzers zum Betrieb des Geräts führen! Dieses Gerät entspricht Teil 15 der FCC-Bestimmungen. Der Betrieb unterliegt den folgenden zwei Bedingungen:

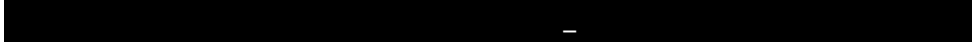
- 1) Dieses Produkt kann schädliche Störungen verursachen.
- 2) Dieses Produkt muss alle empfangenen Störungen akzeptieren, einschließlich Störungen, die zu unerwünschtem Betrieb führen können.

**WARNUNG:** Änderungen oder Modifikationen an diesem Produkt, die nicht ausdrücklich von der für die Einhaltung verantwortlichen Partei genehmigt wurden, können zum Erlöschen der Berechtigung des Benutzers zum Betrieb des Produkts führen.

**Notiz:** Dieses Produkt wurde getestet und entspricht den Grenzwerten für ein digitales Gerät der Klasse B gemäß Teil 15 der FCC-Bestimmungen. Diese Grenzwerte sollen einen angemessenen Schutz vor schädlichen Störungen in einer Wohnanlage bieten.

Dieses Produkt erzeugt und nutzt Hochfrequenzenergie und kann diese ausstrahlen. Wenn das Gerät gemäß den Anweisungen installiert und verwendet wird, kann es zu schädlichen Störungen der Funkkommunikation kommen. Es gibt jedoch keine Garantie dafür, dass bei einer bestimmten Installation keine Störungen auftreten. Wenn dieses Produkt schädliche Störungen beim Radio- oder Fernsehempfang verursacht, was durch Aus- und Einschalten des Produkts festgestellt werden kann, wird dem Benutzer empfohlen, zu versuchen, die Störung durch eine oder mehrere der folgenden Maßnahmen zu beheben.

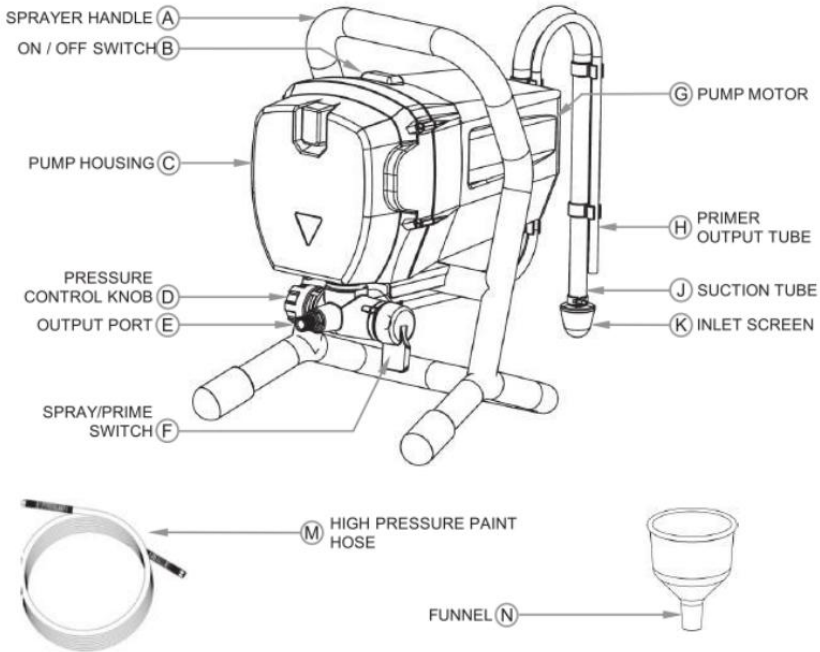
- Richten Sie die Empfangsantenne neu aus oder versetzen Sie sie.
- Erhöhen Sie den Abstand zwischen Produkt und Empfänger.
- Schließen Sie das Produkt an eine Steckdose an, die zu einem anderen Stromkreis gehört als dem, an den der Empfänger angeschlossen ist.
- Wenden Sie sich für Hilfe an den Händler oder einen erfahrenen Radio-/TV-Techniker.



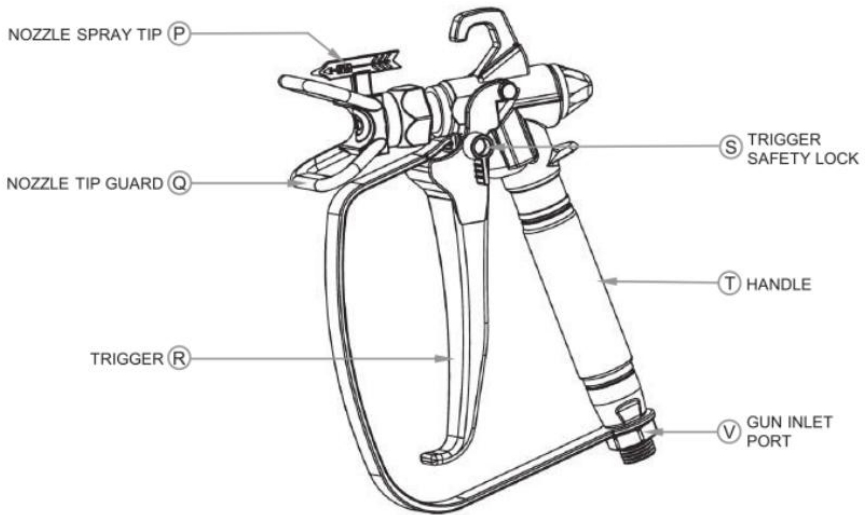
Items	Description	RP8626	RP8626 PLUS
1	Rated Voltage:	120VAC 60Hz ( For US user)	120VAC 60Hz ( For US user)
2	Rated Voltage:	230VAC 50Hz ( For Europe user)	230VAC 50Hz ( For Europe user)
3	Rated Power:	750 W	750 W
4	Maximum Working Pressure (MWP):	3000 PSI	3000 PSI
5	Maximum Delivery:	1.2 LPM	1.2 LPM
6	Work Environment Temperature:	5° C - 40° C / 40° F - 105° F	5° C - 40° C / 40° F - 105° F
7	Standard Nozzle:	517	517
8	Transportation and Storage Temperature:	-13° F-131° F (-25° C-55° C)	-13° F-131° F (-25° C-55° C)
9	Hose Length:	7.6 m / 25 ft	7.6 m / 25 ft
10	Paint Outlet Connector Size	1/4" -18 NPSM	1/4" -18 NPSM
11	G. W. :	9.8kg	12.3kg

## FEATURE IDENTIFICATION

### RP8626 SPRÜHGERÄT:

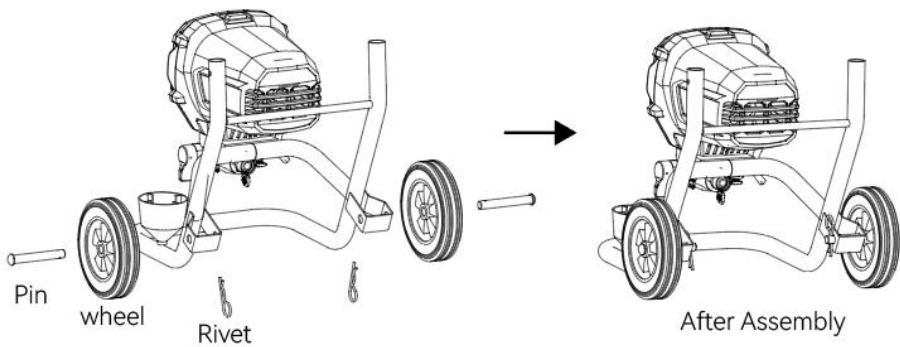


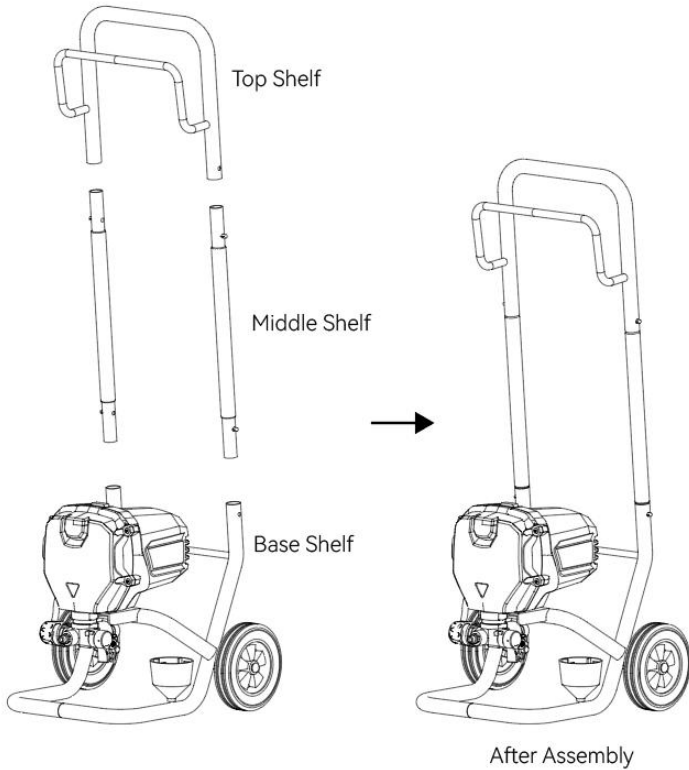
### RP8626 & RP8626 PLUS AIRLESS-SPRITZPISTOLE



## 8626 PLUS

wheel installation





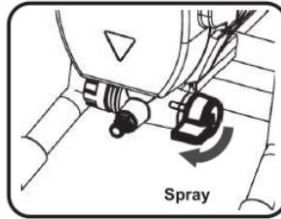
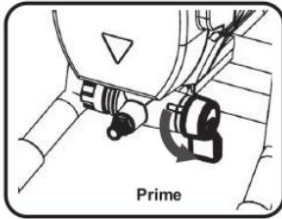
## BETRIEB

### BEACHTEN:

NACH GEBRAUCH REINIGEN, UM DAUERHAFTE SCHÄDEN ZU VERMEIDEN SPRÜHGERÄT. RÜCKGABEN WERDEN NICHT AKZEPTIERT UND DIE GARANTIE ERLISCHT, WENN DAS SPRÜHGERÄT NICHT SOFORT NACH JEDEM GEBRAUCH RICHTIG GEREINIGT WIRD.

### Entlüftungs-/Sprühschalter

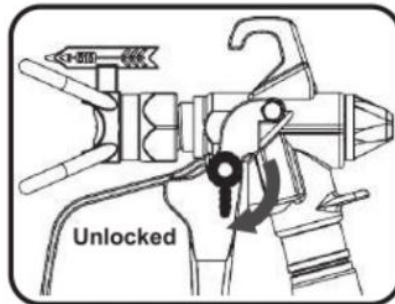
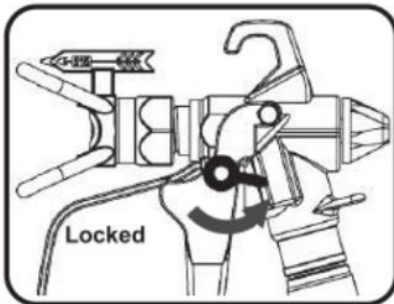
Der Prime/Spray-Schalter (F) schaltet das Gerät zwischen Grundierungsmodus und das Sprühen Modus.



### **Abzugssperre**

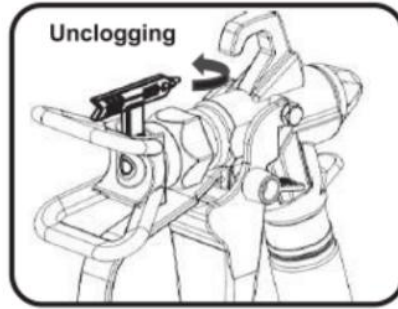
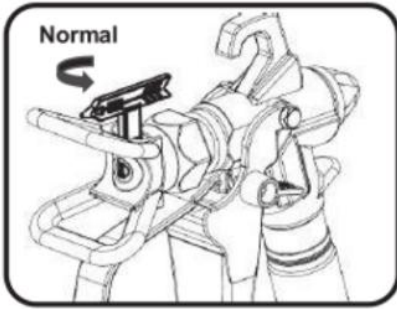
Die Triggersperre (S) verhindert das Auslöser durch Zufall verhindern betätigt, z. B. wenn die Waffe betätigt wird fallen gelassen.

**Aktivieren Sie immer die Abzugssperre, wenn die Spritzpistole nicht verwendet wird.**



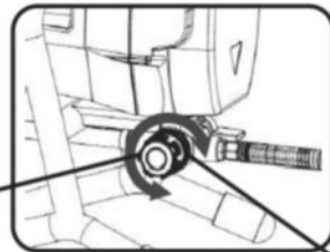
### **Düsenprühspritze**

Die Düsenprühspritze (P) ist abnehmbar und reversibel herzustellen Einfachere Reinigung und Beseitigung von Verstopfungen. Der normale Betrieb erfolgt mit dem Pfeil nach außen und weg gerichtet die Waffe. Die Düse muss gereinigt werden erfolgt durch Drehen des Düsensprays Kippen Sie so, dass der Pfeil zeigt nach innen zur Waffe.



### Druckkontrollknopf

Der Druckkontrollknopf (D) regelt den Druck der Farbe Ausgabe am Ausgangsport (E). Durch Drehen des Knopfes ganz nach rechts (im Uhrzeigersinn) wird die Farbausgabe auf den maximalen Druck eingestellt zum Hochdruckspritzen. Wenn Sie den Knopf ganz nach links (gegen den Uhrzeigersinn) drehen, wird die Farbabgabe auf das Minimum reduziert Druck. Richten Sie die Anzeige des Druckreglerknopfs auf die aus gewünschte Funktion wie auf dem Etikett angegeben (siehe unten)



High Pressure Spray

Low Pressure Spray

Prime/Clean

Roller

### DRUCKENTLASTUNGSVERFAHREN

**! WARNING**



ENTLASTEN SIE IMMER DEN DRUCK, NACH DEM SPRÜHEN UND

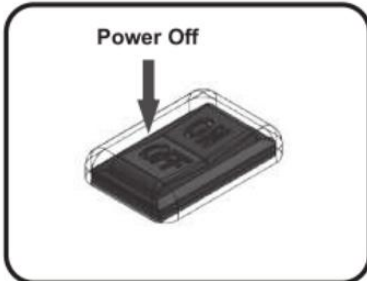


VOR DER REINIGUNG, WARTUNG ODER DEM TRANSPORT.

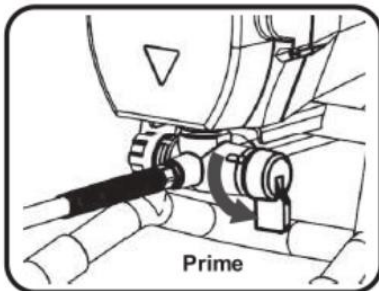


GEFAHR EINER HAUTINJEKTION. Richten Sie die Pistole oder das Spray nicht auf Personen oder Tiere. Platzieren Sie es nicht vor der Sprühdüse.

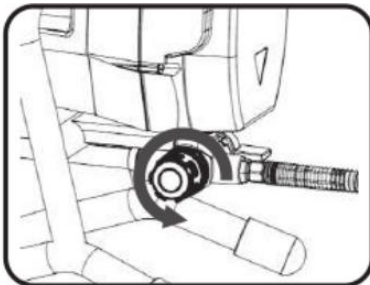
1. Stellen Sie den EIN/AUS-Schalter (B) auf AUS Position und ziehen Sie den Netzstecker.



10. Stellen Sie den Prime/Spray-Schalter auf PRIME Position.



3. Stellen Sie den Druckreglerknopf (D) auf die niedrigste Druckeinstellung (ROLL) ein.



4. Wenn Sie einen Abfall- oder Lösungsmittleimer verwenden, stellen Sie sicher,

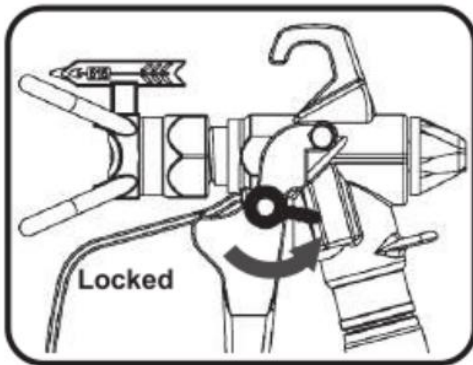
dass der Eimer vorhanden ist ist aus Metall und ordnungsgemäß geerdet.

Klemmen Sie ein Ende fest eines Erdungskabels an den Eimer, das andere Ende an a geeigneten Boden, z. B. eine Wasserleitung aus Metall.

5. Richten Sie die Spritzpistole auf den geerdeten Abfall oder Lösungsmittleimer, während Sie Metallteile festhalten Halten Sie die Spritzpistole zur Erhaltung fest an die Seite des Eimers Prüfen Sie, ob die Pistole und der Eimer geerdet sind, und nehmen Sie dann den Betrieb auf Betätigen Sie den Auslöser mehrmals, bis der Druck innerhalb des Druckbereichs liegt Schlauch wurde entlastet



10. Aktivieren Sie die Abzugssperre, nachdem der Druck ausgeübt wurde erleichtert.



7. Lassen Sie den Prime/Spray-Schalter in der Prime-Position bis Sie wieder zum Sprühen bereit sind.

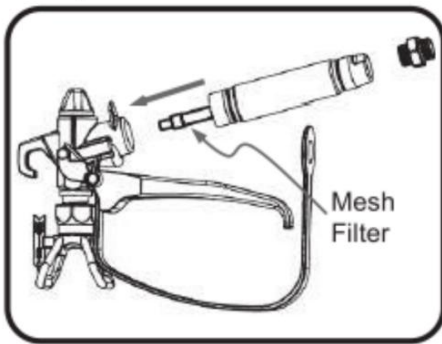
8. Wenn Sie vermuten, dass die Sprühspitze oder der Schlauch verstopft ist oder Dieser Druck wurde danach nicht vollständig entlastet Befolgen Sie diese Schritte, **SORGFÄLTIG UND LANGSAM** Lösen Sie die Befestigungsmutter des

Düsenschutzes oder das Schlauchende Kupplung, um den Druck allmählich zu entlasten, und dann lösen vollständig aus, bevor Sie versuchen, das Problem zu löschen Obstruktion.

## AUFSTELLEN

Elemente in Klammern ( ) beziehen sich auf das Feature Identifikationszeichnung im vorherigen Abschnitt.

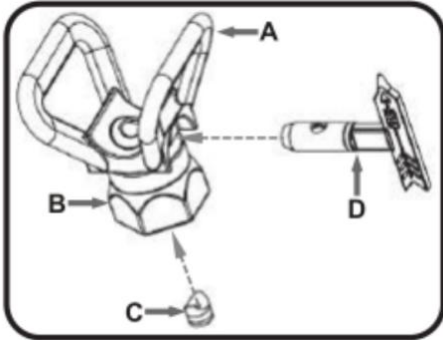
Hinweis: Die Spritzpistole wird komplett montiert geliefert Fabrik. Wenn die Waffe zerlegt wurde zur Reinigung Befolgen Sie zum erneuten Zusammenbau die folgenden Schritte.



25. Setzen Sie den Netzfilter in den Griff (T) ein und richten Sie ihn aus den Griff mit dem Oberkörper der Spritzpistole.

26. Halten Sie den Oberkörper der Spritzpistole fest und ziehen Sie den Griff (T) mit einem Schraubenschlüssel fest.

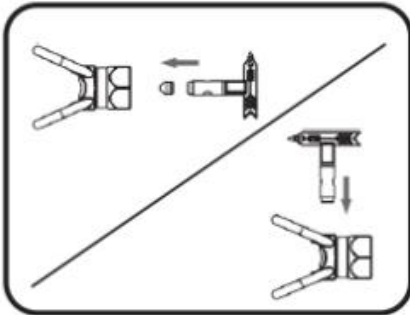
27. Platzieren Sie den Griffschutz über dem Loch am Unterseite des Griffs und befestigen Sie ihn dann mit den Adapter für den Schlauchanschluss (V) und zwei Schraubenschlüssel.



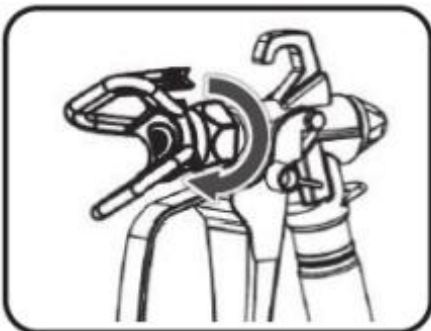
28. Die Pistolenspitze und der Schutz bestehen aus Folgendem Komponenten:

- A. Düsenspitzenschutz
- B. Befestigungsmutter des Düsenspitzenschutzes
- C. Metallsitz mit Gummidichtung
- D. Düsensprühspitze

29. Verwenden Sie die Düsensprühspitze, um den Metallsitz mit Gummidichtung im Düsenspitzenschutz zu installieren.

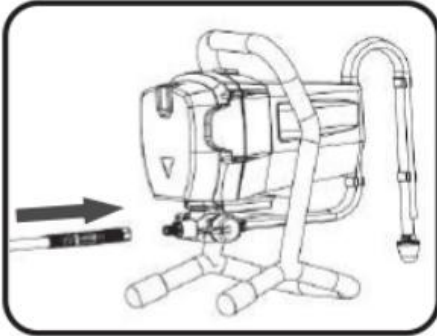


30. Installieren Sie die Düsensprühspitze in der Düsenspitze Bewachen.

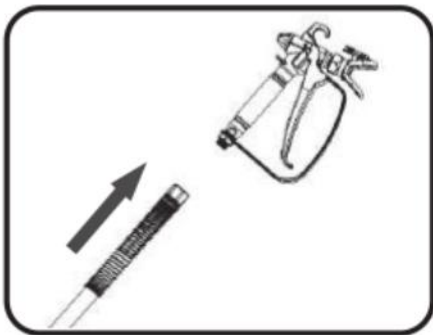


7. Schrauben Sie die Befestigungsmutter des Düsenstanzschutzes auf an der Vorderseite des oberen Spritzpistolengehäuses anbringen und festziehen mit einem Schraubenschlüssel.

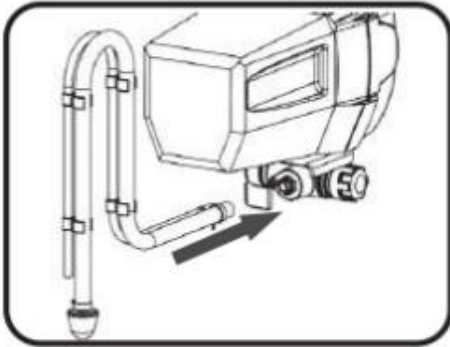
8. Wenn das Gerät vom Stromnetz getrennt ist, wickeln Sie es ab und schließen Sie es an Hochdruck-Farbschlauch (M) zum Ausgangsanschluss (E). Verwenden Sie einen Schraubenschlüssel, um die Armatur richtig festzuziehen.



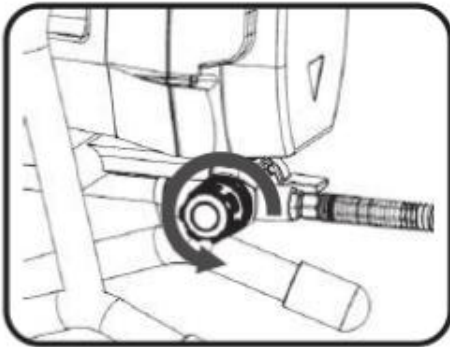
13. Schließen Sie das andere Ende der Hochdruckfarbe an Schlauch (M) zum Pistoleneinlass (V) an der Spritze Pistolengriff (T). Verwenden Sie dazu einen Schraubenschlüssel Ziehen Sie die Armatur richtig fest



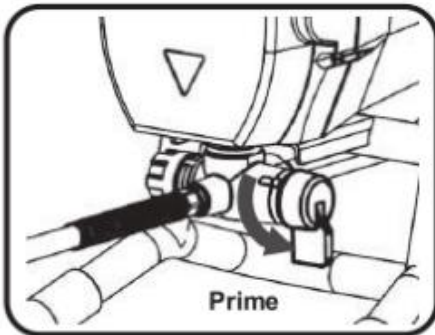
10. Verbinden Sie das Saugrohr (J) und den Primer-Ausgang Führen Sie dann den Schlauch (H) zur Rückseite des Ventilgehäuses Installieren Sie das Einlasssieb (K). Sichern Sie es mit die mitgelieferten Schlauchschellen.



11. Stellen Sie den Druckreglerknopf (D) auf Prime/Clean-Position.



12. Stellen Sie den Sprüh-/Entlüftungsschalter (F) auf „Entlüften“ . Position.

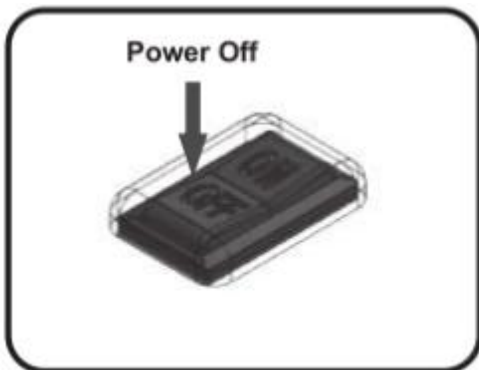


### **PRIME UND FLUSH**

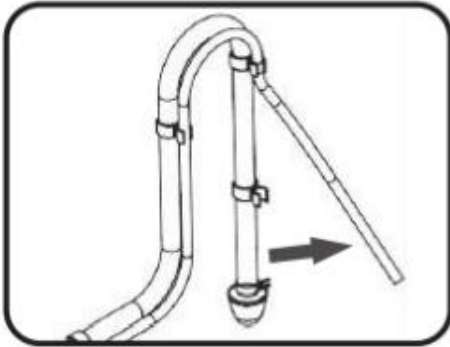
Vor jedem Gebrauch muss das Spritzgerät vorgefüllt und gespült werden, um die Lagerflüssigkeit aus dem Spritzgerät zu entfernen. Befolgen Sie beim Ansaugen und Spülen die folgenden Richtlinien:

- Spülen Sie das System gründlich mit Wasser, wenn Sie Materialien auf Wasserbasis versprühen.
- Wenn Sie Materialien auf Ölbasis versprühen, verwenden Sie ein kompatibles Spüllösungsmittel auf Ölbasis oder Lösungsbenzin, um das System gründlich zu spülen.
- Wenn Sie vom Sprühen auf Ölbasis zum Sprühen auf Wasserbasis wechseln, spülen Sie das System zunächst gründlich mit Wasser. Das aus dem Primer-Auslassrohr (H) ausströmende Wasser sollte klar und frei von Lösungsmitteln sein, bevor Sie mit dem Versprühen des wasserbasierten Materials beginnen. Wenn Sie vom Sprühen auf Wasserbasis zum Sprühen auf Ölbasis wechseln, spülen Sie das System zunächst gründlich mit einem kompatiblen Spüllösungsmittel auf Ölbasis oder Lösungsbenzin. Das aus dem Primer-Auslassrohr (H) fließende Lösungsmittel sollte kein Wasser enthalten.
- Verwenden Sie immer einen geerdeten Abfall- oder Lösungsmittleimer aus Metall.
- Siehe Abschnitt „Elektrische Sicherheit“.
- Richten Sie die Pistole immer auf die Innenwand des Abfall- oder Lösungsmittleimers, um zu vermeiden, dass Flüssigkeit auf Ihre Haut oder in Ihre Augen spritzt.

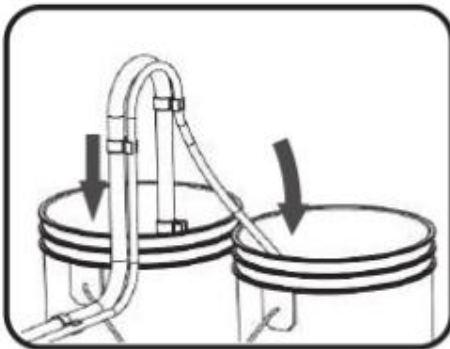
9. Stellen Sie den EIN-/AUS-Schalter (B) auf AUS Positionieren Sie das Spritzgerät und ziehen Sie den Netzstecker.



10. Trennen Sie das Primer-Ausgaberohr (H) von Die Saugrohr (J).

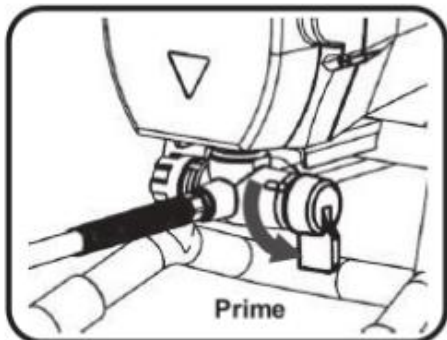


3. Stellen Sie das Primer-Ausgaberohr (H) in einen geerdeten Abfall-/Lösungsmittleimer und stecken Sie das Saugrohr (J) mit Einlasssieb (K) in einen Eimer, der Wasser oder Spüllösungsmittel enthält (bestimmt durch die oben besprochene Richtlinie).

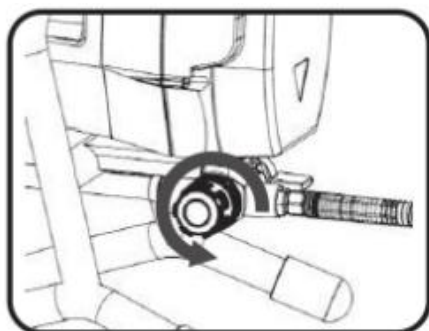


4. Überprüfen Sie, ob sich der Sprüh-/Ansaugschalter (F) in der Position befindet Erstklassige Position.

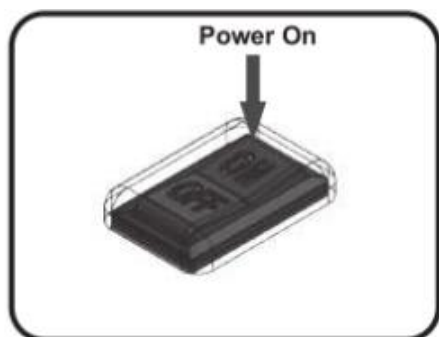




5 . Stellen Sie den Druckreglerknopf (D) auf Prime/Clean-Position.

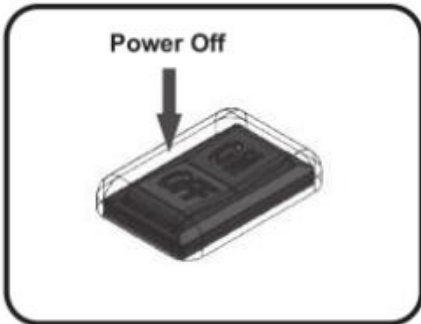


6 . Stecken Sie das Spritzgerät in eine geerdete Steckdose und drehen Sie es. Stellen Sie den EIN-/AUS-Schalter (B) auf die EIN-Position.

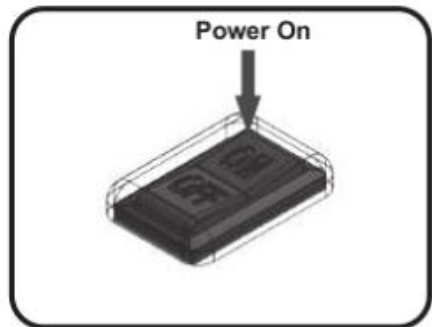
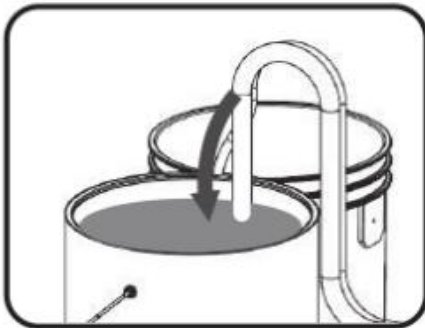


7. Das Spritzgerät beginnt, Wasser zu pumpen oder zu spülen Lösungsmittel. Luft und Lageröl werden aus dem Gerät entfernt System. Lassen Sie die Flüssigkeit weiter einwirken 30 Minuten lang aus dem Primer-Ausgangsrohr (H) abgegeben auf 60 Sekunden, dann schalten Sie das Gerät ein/aus Schalter (B) auf OFF

stellen.



8. Nehmen Sie das Saugrohr (J) und das Einlasssieb (K) aus dem Eimer, der Wasser oder Spüllösungsmittel enthält (Schritt 3), und setzen Sie es in den Behälter ein, in dem es sich befindet Farbe, die Sie verwenden werden.

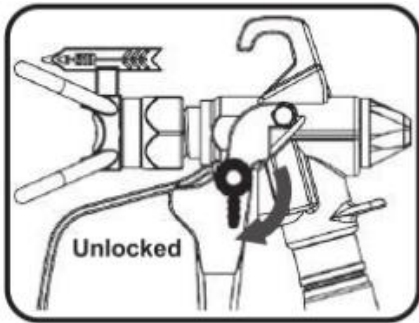


9. Schalten Sie den EIN/AUS-Netzschalter (B) ein.

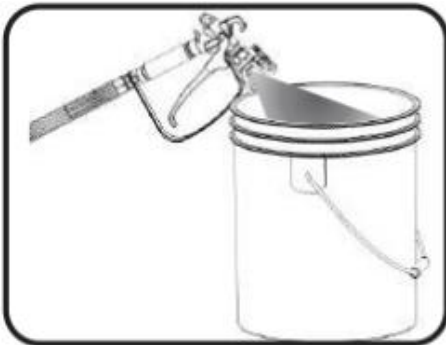
10. Die Farbe wird durch die Ansaugöffnung gepumpt Rohr (J) und beginnt mit der Entladung aus dem Primer-Ausgaberohr (H) und in den Abfall-/Lösungsmittleimer.

11. Halten Sie die Spritzpistole so, dass sie in und gegen die Spritzpistole zeigt Abfall-/Lösungsmittleimer.

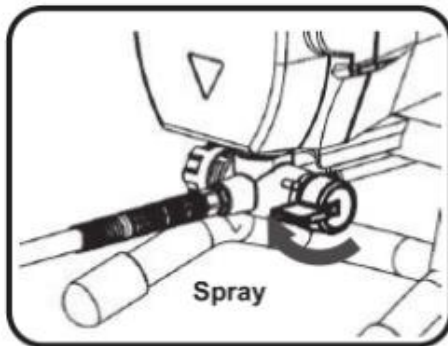
12. Entriegeln Sie die Abzugssperre.



17. Ziehen Sie den Abzug und halten Sie ihn gedrückt.

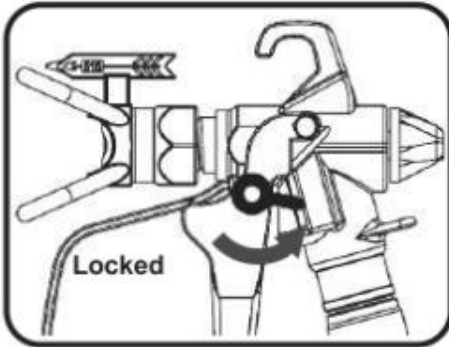


14. Drehen Sie den Sprüh-/Entlüftungsschalter (F) auf „Sprühen“ . Position.

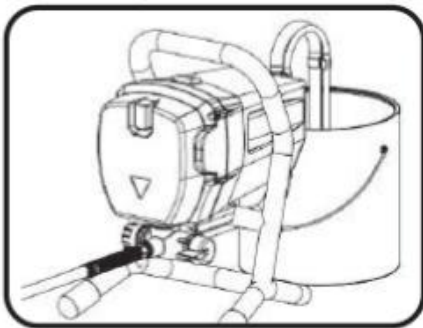


15. Halten Sie weiterhin den Abzug gedrückt, während Sie die Waffe richten in den Abfall-/Lösungsmittleimer geben, bis nur noch Farbe vorhanden ist kommt aus der Waffe.

16. Lassen Sie den Abzug los und aktivieren Sie die Abzugssperre



21. Bewegen Sie das Primer-Ausgaberohr (H) zur Farbe Behälter und befestigen Sie ihn am Saugrohr (J).

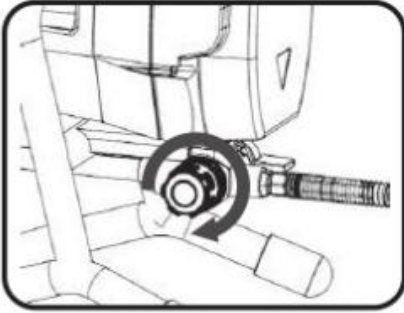


HINWEIS: Der Motor stoppt, was auf die Pumpe hinweist und Schlauch sind mit Farbe grundiert und unter Druck. Wenn \_ Der Motor läuft weiter, das Spritzgerät jedoch nicht

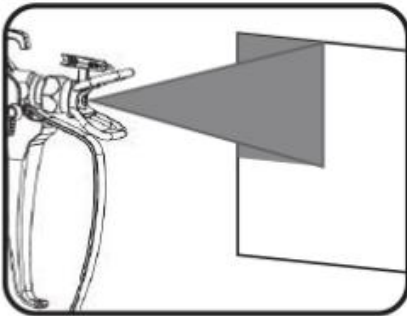
Korrekt grundiert. Zum erneuten Ansaugen drehen Sie den Sprüh-/Ansaugschalter (F) in die Ansaugposition und wiederholen alle Schritte von Anfang an bei Schritt 9.

### **MALEREI**

21. Stellen Sie den Druckreglerknopf (D) auf einen mittleren bis hohen Druck ein.

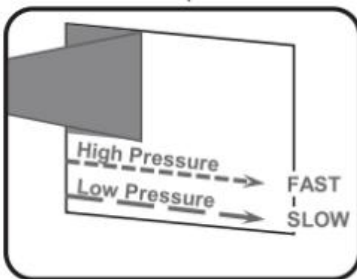


22. Testen Sie diese Druckeinstellung an einem Schrottstück Material.



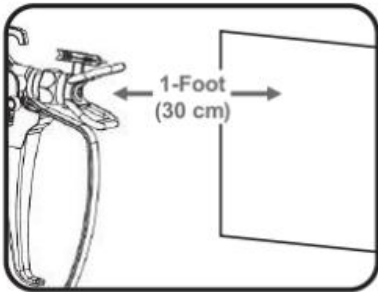
23. Stellen Sie den Druckreglerknopf (D) ein, bis a glatte und gleichmäßige Konsistenz erreicht.

24. Sprühen Sie einen Test auf ein Stück Abfallmaterial Patch und ermittelt die erforderliche Schlaggeschwindigkeit für die Druckeinstellung. Niedrigerer Druck wird erfordern eine langsamere Geschwindigkeit und einen höheren Druck erfordern eine höhere Hubgeschwindigkeit.

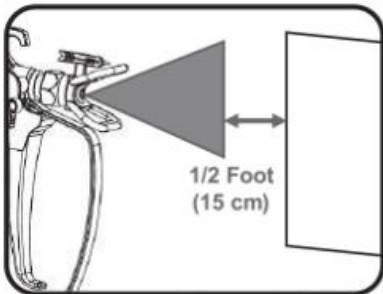


HINWEIS: Die Qualität der zu lackierenden Oberfläche wird davon abhängen großen Einfluss auf das Spritzergebnis haben. Die Oberfläche Die Lackierarbeiten müssen vorher ordnungsgemäß vorbereitet werden beginnt zu sprühen.

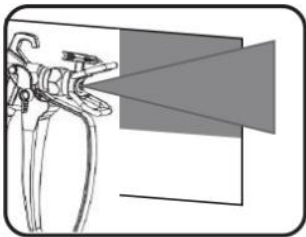
## SPRÜHTECHNIK



5. Halten Sie einen Abstand von etwa 30 cm ein die zu besprühende Oberfläche.

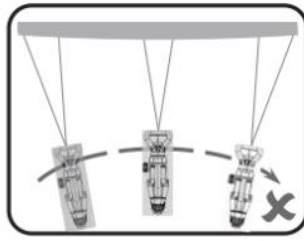
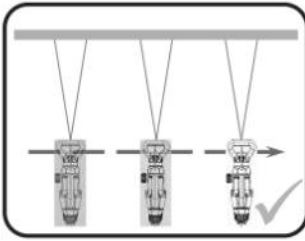


2. Beginnen Sie mit der Strichbewegung, bevor Sie den Abzug betätigen, und beginnen Sie etwa 15 cm vom Rand des zu besprühenden Bereichs entfernt

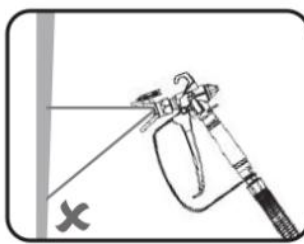
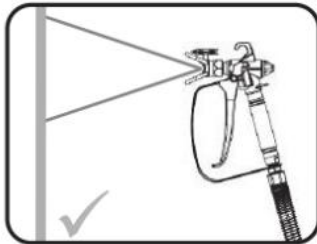


3. Lassen Sie den Abzug los, sobald Sie die gegenüberliegende Kante der zu besprühenden Oberfläche erreicht haben.

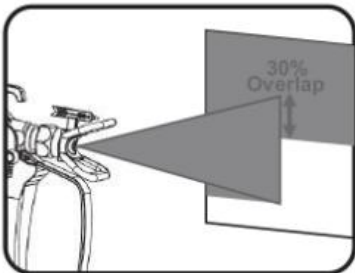
4. Bewegen Sie die Waffe mit dem gesamten Arm, ohne sie zu beugen Ihr Handgelenk, um ein gleichmäßiges Sprühbild zu gewährleisten.



25. Halten Sie die Spritzpistole im rechten Winkel zur Oberfläche gemalt wird.



6. Überlappen Sie jeden Strich um 30 %, um eine gleichmäßige Abdeckung zu gewährleisten.



Weitere hilfreiche Tipps

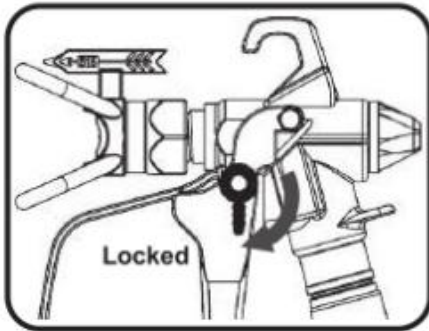
- Das Sprühen im Freien an einem windigen Tag kann zur Folge haben schlechte Ergebnisse. Warten Sie, bis kein Wind mehr weht Das Wetter ist zufriedenstellend.
- Tragen Sie jeweils eine Schicht auf und lassen Sie sie trocknen vollständig aus, bevor Sie eine weitere Schicht auftragen.
- Vermeiden Sie das Anhalten und Starten, da dies zu einem Unfall führen kann fleckiger Abgang. Beginnen Sie an einer Kante einer Oberfläche und knapp hinter der gegenüberliegenden Kante enden. Vermeiden Sie einen Zwischenstopp in der Mitte einer Oberfläche, was zu einer ungleichmäßigen

Oberfläche führen kann .

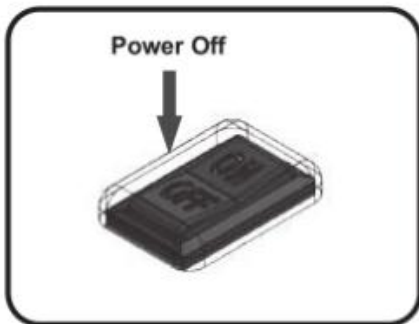
### **SPRÜHSCHNITTZWEIG VON VERSTOPFUNGEN BEFREIEN**

- Die Düsenstrahlspitze (P) kann gelegentlich beschädigt werden mit Farbe verstopft. Befolgen Sie diese Anweisungen, um eine verstopfte Düse zu befreien:  
Sprühspitze:

1. Lassen Sie den Abzug los und aktivieren Sie die Abzugssperre ( S ).

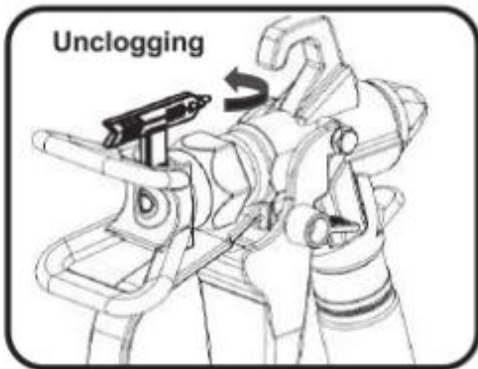


2. Stellen Sie den EIN/AUS-Schalter (B) auf AUS Position und ziehen Sie den Netzstecker.

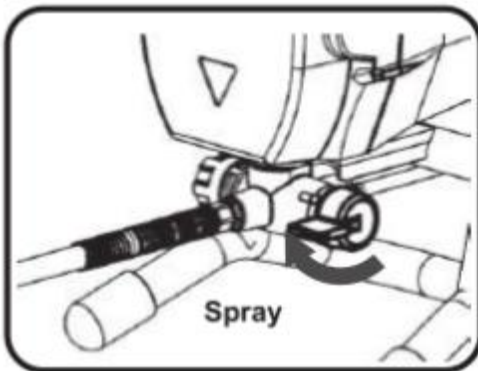


3. Drehen Sie die Düsenstrahlspitze (P), sodass der Pfeil zur Rückseite der Pistole zeigt.

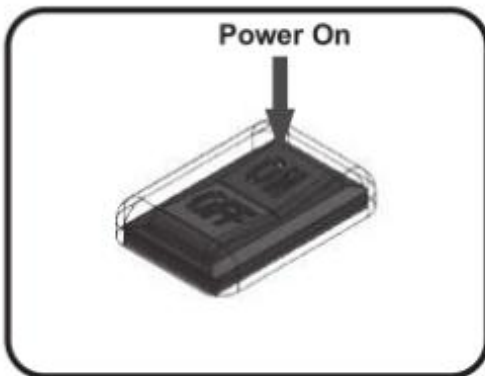




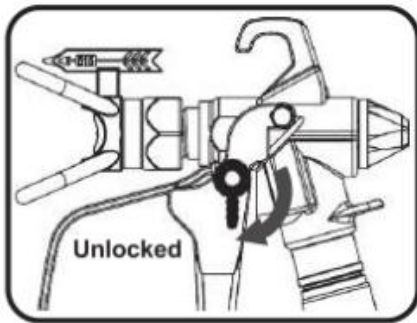
4. Drehen Sie den Sprüh-/Ansaugschalter (F) in die Sprühposition.



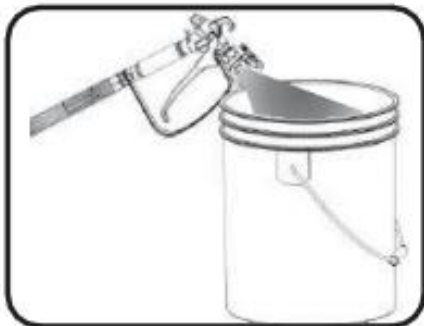
5. Stellen Sie den EIN/AUS-Schalter (B) auf die Position EIN.



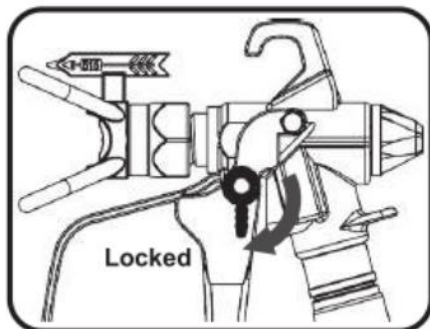
6. Lösen Sie die Abzugssperre (S).



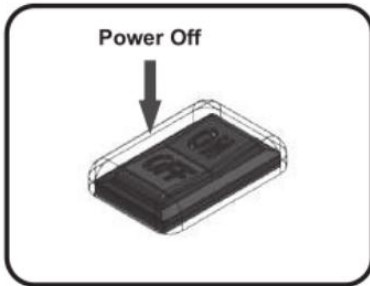
7. Richten Sie die Spritzpistole auf einen geerdeten Abfall- oder Lösungsmittleimer und halten Sie dabei alle Metallteile der Spritzpistole fest an die Seite des Eimers, um die Erdungskontinuität von Pistole und Eimer aufrechtzuerhalten. Betätigen Sie dann mehrmals den Abzug, um die Verstopfung zu beseitigen.



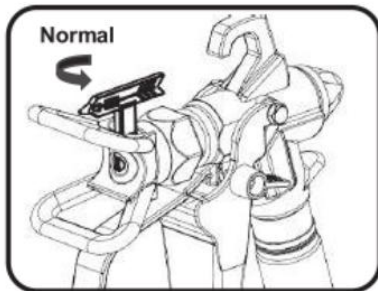
8. Lassen Sie den Abzug los und aktivieren Sie die Abzugssperre(n).



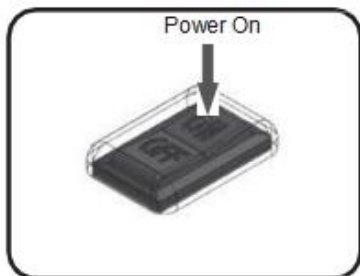
9. Stellen Sie den EIN/AUS-Schalter (B) auf AUS und ziehen Sie das Netzkabel ab.



10. Drehen Sie die DüsenSprühspitze (P), sodass der Pfeil zur Vorderseite der Pistole zeigt.



11. Stellen Sie den EIN-/AUS-Schalter (B) auf die EIN-Position.



## **REINIGUNG**

**BEACHTEN**

**SAUBER NACH VERWENDEN ZU VERHINDERN DAUERHAFT  
SCHADEN ZU DER SPRÜHGERÄT.**

**KEINE RÜCKGABE AKZEPTIERT & GARANTIE LEERE WENN SPRÜHGERÄT**

**IST NICHT SOFORT NACH JEDEM GEBRAUCH RICHTIG GEREINIGT.**

## **VERWENDEN SIE DIE RICHTIGE REINIGUNGSFLÜSSIGKEIT**

Wenn die Farbe Wesen gebraucht War Wasser basierend (Acryl malen), verwenden NUR WASSER Wann durchführen Die Reinigung Verfahren.

HINWEIS: \_\_\_\_\_ LÖSUNGSMITTELBASIERENDE VERWENDUNG  
REINIGUNGSFLÜSSIGKEIT AN AUF WÄSSRIGER BASIS FARBEN WILLE  
ERGEBNIS IN A SUBSTANZ DAS WILLE SEI EXTREM SCHWIERIG ZU SAUBER.

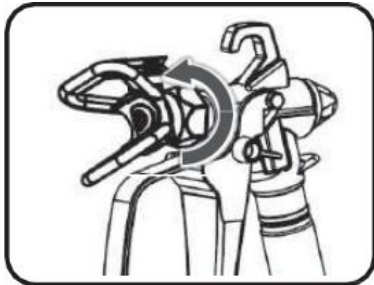
Wenn Die malen oder Beschichtung Material Sein gebraucht War Auf Öl- Basis (Emaile malen, Lack usw.), siehe Die Beschichtung Material Etikett oder Sicherheitsdatenblatt Zu Bestimmen Sie was Lösungsmittel Zu verwenden. Diese lösungsmittelbasiert Reinigung Flüssigkeiten sind sicher in der Anwendung In Die luftlos Sprühgerät:

- Mineral Terpentin
- Malen Verdünner

## **REINIGEN DES SPRÜHGERÄTS**

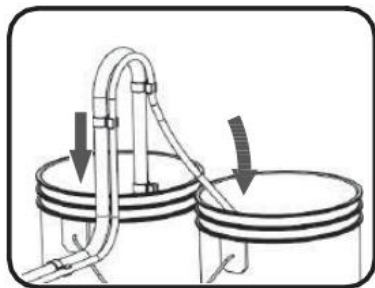
1. Beginnen Sie SOFORT nach dem Gebrauch mit der Reinigung des Spritzgeräts, indem Sie das DRUCKENTLASTUNGSVERFAHREN unter 9 befolgen.

2. Entfernen Sie den Düsenspitzenschutz (Q) und die Düsensprühspitze (P) mit einem Schraubenschlüssel von der Pistole und legen Sie sie in die Reinigungsflüssigkeit.

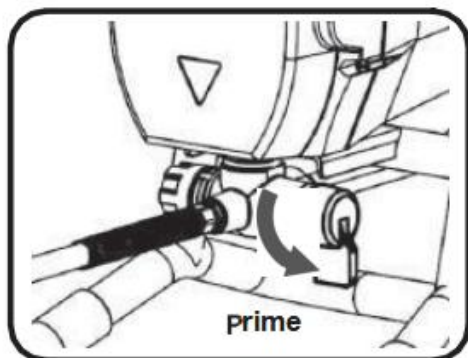


3. Trennen Sie das Primer-Ausgaberohr (H) vom Saugrohr (J). Platzieren Sie das Primer-Ausgaberohr

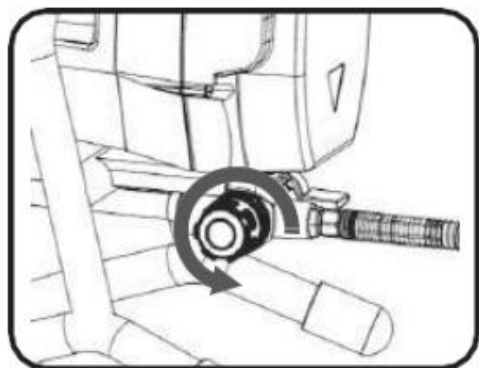
(H) in einen Abfalleimer und das Saugrohr mit Einlasssieb (K) in einen Eimer mit Wasser oder Spüllösungsmittel (lesen Sie den oben besprochenen Abschnitt „ VERWENDEN SIE DIE RICHTIGE REINIGUNGSFLÜSSIGKEIT “).



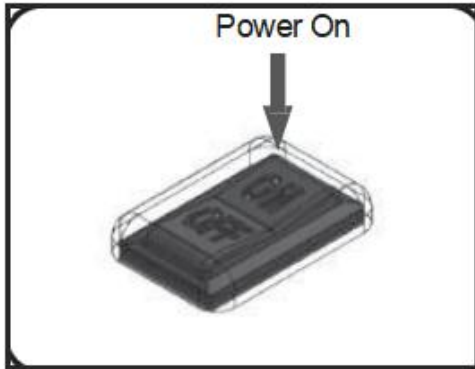
4. Überprüfen Sie, ob sich der Sprüh-/Ansaugschalter (F) in der Ansaugposition befindet.



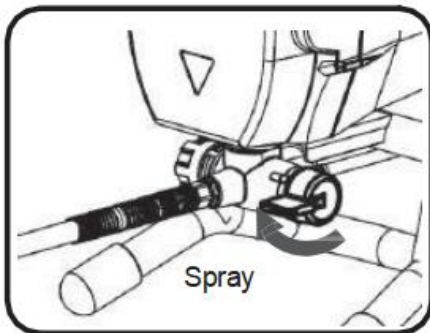
5. Stellen Sie den Druckreglerknopf (D) auf die Position „Entlüften/Reinigen“.



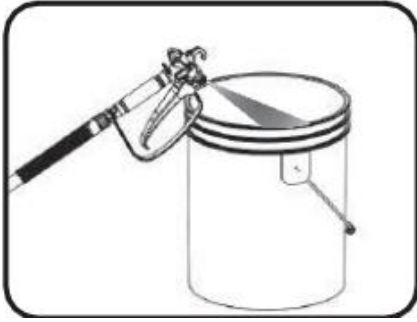
6. Stellen Sie den EIN-/AUS-Schalter (B) auf die EIN-Position.



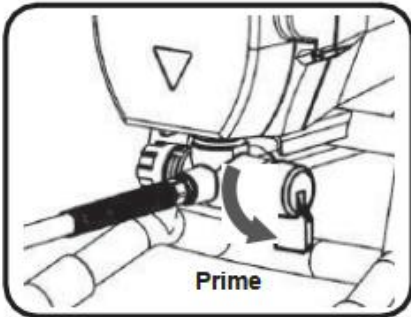
7. Sobald ein gleichmäßiger Strahl Reinigungsflüssigkeit aus dem Primer-Ausgangsrohr (H) fließt, drehen Sie den Sprüh-/Prime-Schalter (F) in die Sprühposition.



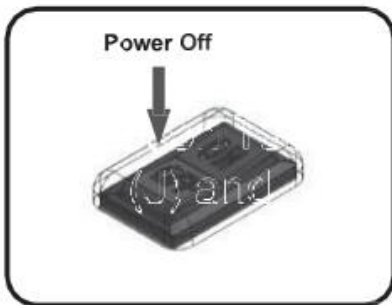
8. Richten Sie die Spritzpistole auf den Abfalleimer und halten Sie dabei alle Metallteile der Spritzpistole fest an die Seite des Eimers, um die Verbindung zwischen Pistole und Eimer aufrechtzuerhalten. Betätigen Sie dann den Abzug, bis nur noch Reinigungsflüssigkeit aus der Pistole austritt .



9. Stellen Sie den Sprüh-/Ansaugschalter (F) auf die Ansaugposition und wiederholen Sie dann die Schritte 7 und 8, bis nur noch Reinigungsflüssigkeit aus dem Spritzgerät austritt.



10. Stellen Sie den EIN/AUS-Schalter (B) auf AUS und ziehen Sie das Netzkabel ab.

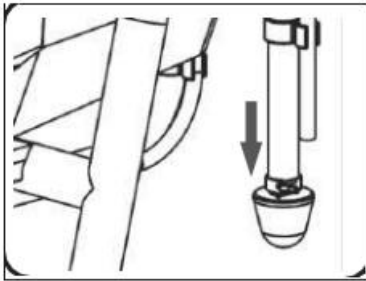


## **REINIGEN DES ZULASSSCHLAUCHS**

5. Entfernen Sie das Sieb (K) vom Saugrohr (J), indem Sie die Schlauchklemme

lösen und es vom Filter wegbewegen.

2. Ziehen Sie das Einlasssieb (K) heraus und spülen Sie es mit der entsprechenden Reinigungsflüssigkeit ab.

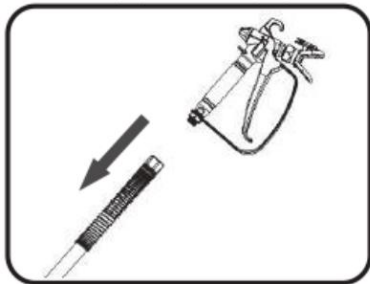


3. Wenn das Einlasssieb (K) nicht gereinigt werden kann, ersetzen Sie es durch ein neues Einlasssieb.

### **REINIGEN DER SPRITZPISTOLE**

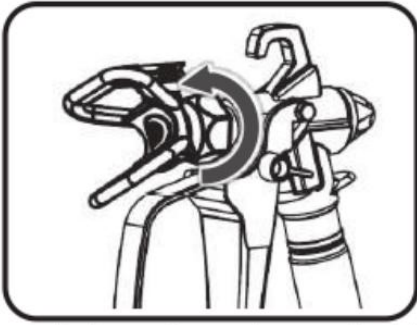
1. Befolgen Sie das Verfahren zur Druckentlastung auf Seite 9.

2. Entfernen Sie mit einem Schraubenschlüssel den Hochdruckschlauch (M) von der Spritzpistole.

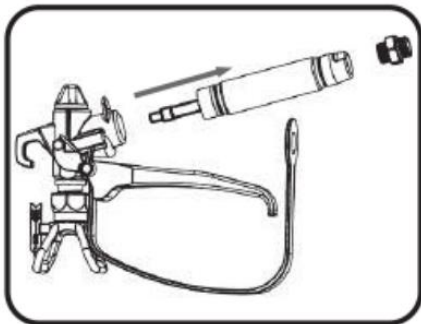


3. Entfernen Sie den Düsenspitzenschutz (Q) und die Düsenprühspritze (P) mit einem Schraubenschlüssel von der Pistole und legen Sie sie in die Reinigungsflüssigkeit.





4. Entfernen Sie mit einem Schraubenschlüssel den Einlassanschluss (V) von der Pistole.
5. Schieben Sie den Griffschutz zur Seite und entfernen Sie den Griff (T) mit einem Schraubenschlüssel vom Oberkörper der Spritzpistole.



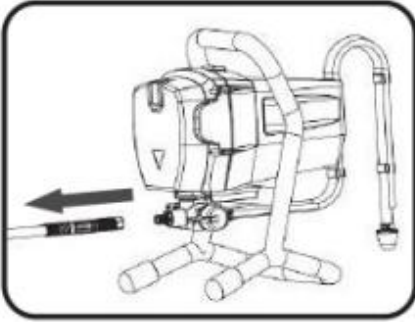
6. Entfernen Sie den Netzfilter aus dem Griff (T) und legen Sie ihn in die Reinigungsflüssigkeit.
7. Reinigen Sie alle Komponenten in der Reinigungsflüssigkeit mit einer weichen Bürste.
8. Sobald die Reinigung abgeschlossen ist, bauen Sie die Spritzpistole wieder zusammen.

## **LAGERUNG DES SPRÜHGERÄTS**

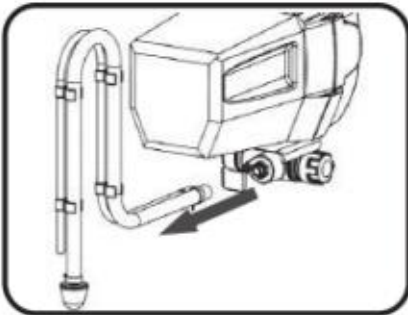
Es ist sehr wichtig, dass das Spritzgerät NICHT zusammen mit Wasser oder Materialien auf Wasserbasis in der Pumpe, dem Schlauch, den Rohren oder der Spritzpistole gelagert wird. In diesen Gegenständen verbleibendes Wasser führt zu Korrosion und beschädigt sie. Befolgen Sie diese Verfahren, um das

Spritzgerät aufzubewahren.

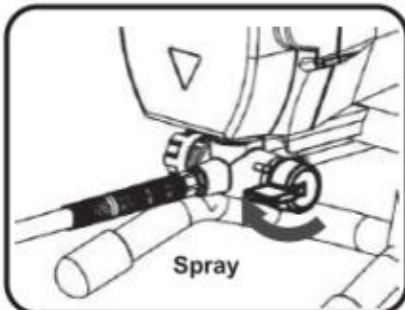
17. Befolgen Sie vor der Lagerung des Spritzgeräts die Schritte zum Reinigen des Spritzgeräts und der Spritzpistole.



18. Entfernen Sie den Hochdruckschlauch vom Spritzgerät.



19. Entfernen Sie das Primer-Ausgangsrohr (H) und das Saugrohr (J) mit dem Einlasssieb (K) von der Pumpe.

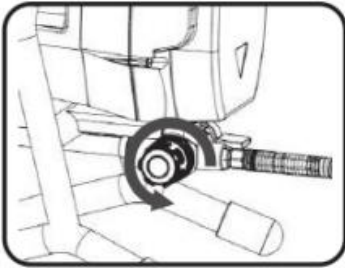


20. Geben Sie bei umgedrehtem Sprühgerät eine Unze (30 ml) leichtes Mehrzweck-Maschinenöl wie Nähmaschinenöl oder ISO 22-Öl sowohl in das

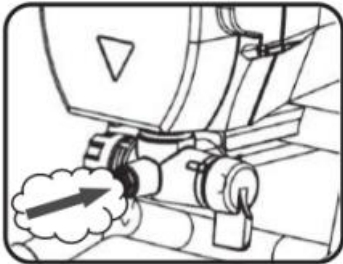
Saugrohr (J) als auch in das Primer-Ausgaberohr (H).

5. Stellen Sie den Sprüh-/Ansaugschalter (F) auf die Sprühposition.

6. Stellen Sie den Druckreglerknopf (D) auf die Position „Niedriger Sprühnebel“.



7. Decken Sie den Ausgangsanschluss (E) mit einem Lappen ab.



8. Stellen Sie den EIN/AUS-Schalter (B) FÜNF SEKUNDEN lang auf EIN und drehen Sie dann den EIN/AUS-Schalter (B) auf AUS.



9. Stellen Sie den Sprüh-/Ansaugschalter (F) auf die Ansaugposition, um sicherzustellen, dass das Öl während der Lagerung im System bleibt.

10. Setzen Sie das Primer-Ausgangsrohr (H) und das Saugrohr (J) wieder auf die Pumpe.

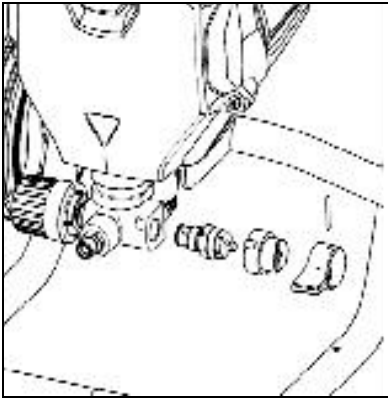

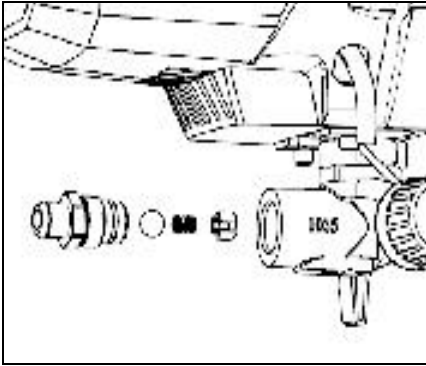
11. Wischen Sie das Spritzgerät mit einem sauberen Tuch ab und bewahren Sie es außerhalb der Reichweite von Kindern auf.

## Sprühtipps

Reinigen Sie die Spitzen immer mit einer verträglichen Reinigungsflüssigkeit und bürsten Sie anschließend Sprühen. Je nach Abrasivität der Farbe müssen die Spitzen möglicherweise nach 15 Gallonen (57 Liter) ausgetauscht werden, oder sie halten bis zu 60 Gallonen (227 Liter).

Ersatzteilliste \_ \_

ARTIKEL	Teil	So verfeinern Sie die Teile
1	Auslassventilbaugruppe 	Schrauben Sie die Auslassventilbaugruppe mit einem Schraubenschlüssel ab 
2	Druckbegrenzungsventilbaugruppe 	Schlagen Sie den Zylinderstift heraus, entfernen Sie den Schalterknopf und den Schalterstift, dann schrauben Sie die Druckbegrenzungsventilbaugruppe mit einem verstellbaren Schraubenschlüssel ab

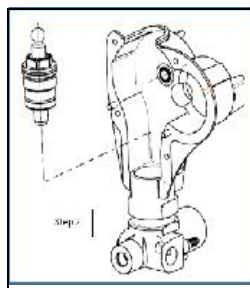
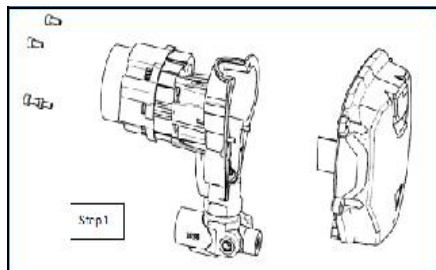
		
<p>3</p>	<p>Zufuhrventilbaugruppe</p> 	<p>Entfernen Sie die verbundene Zufuhrrohrbaugruppe, schrauben Sie die Zufuhrschraubenstopfen mit dem vers. Schraubenschlüssel ab und nehmen Sie die Stahlkugel des Zufuhrventils, die Zufuhrfeder und den Zufuhrfedersitz heraus.</p> 

4

## Kolbenbaugruppe



1. Lösen Sie mit dem Sechskantschlüssel gegenüberliegenden Seite 5 die 4 Sechskantschrauben, um das Pumpendeckel zu trennen.
2. Verwenden Sie die Verlängerungshülse gegenüberliegenden Seite 22, um die Kolbenbaugruppe zu entfernen.



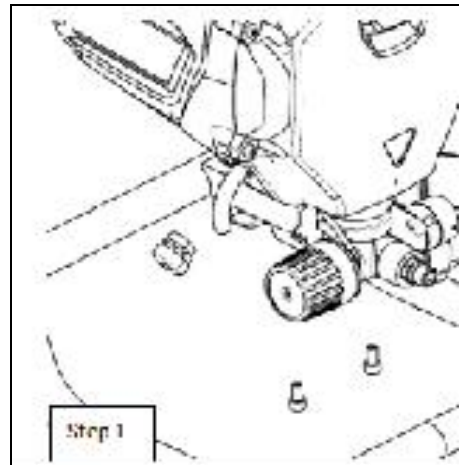
5

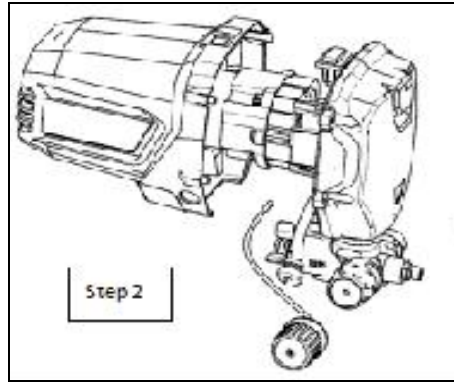
### Druckbegrenzungsventilbaugruppe



5. Entfernen Sie das Netzkabel, ohne abzuziehen, lösen Sie die beiden Schrauben an der Unterseite und nehmen Sie den Pumpenabdeckungsrahmen ab.

2. Lösen Sie die vier selbstschneidenden Schrauben an der Pumpenabdeckung. Entfernen Sie das hintere Gehäuse und die Pumpenabdeckung. Ziehen Sie das Kurbelgehäuse des Druckreglerventils ab. Drehen Sie das Druckregelventil gegen den Uhrzeigersinn, bis die Bajonettoberfläche freizulegen, und schrauben Sie die Druckbegrenzungsventilbaugruppe ab. Entfernen Sie den verstellbaren Schraubenschlüssel ab.





### **Materialverträglichkeit – Verwendbare Materialien und Farben**

**WASSERBASIERTES MATERIAL:** Alle Sprühgeräte können mit wasserbasierten Innen- und Außenmaterialien verwendet werden. Bevor Sie Materialien auf Wasserbasis sprühen, spülen Sie Ihr Spritzgerät mit Wasser.

Beispiel: Holzlack, Latex, Beizen ...

**ÖLBASIERENDES MATERIAL:** Alle Sprühgeräte können mit ölbasierten Innen- und Außenmaterialien verwendet werden. Auf dem Materialetikett ist „**BRENNBAR**“ angegeben und es kann mit Lösungsbenzin oder Farbverdünner gereinigt werden. Spülen Sie Ihr Spritzgerät vor dem Sprühen mit Materialien auf Ölbasis mit Lösungsbenzin.



Beispiel: Acryl, dekorative Farbe...

## **Materialverträglichkeit – Materialien und Farben, die nicht verwendet werden können**

### **ENTZÜNDLICHES MATERIAL AUF LÖSUNGSMITTELBASIS**

**ZU DICKE MATERIALIEN** – erfordert ein größeres handelsübliches Airless- oder Strukturspritzgerät

- Deck- und Betonsanierung
- Elastomer
- Dachbeschichtung – Versiegelung, Farbe oder Grundierung
- Epoxidharz für Beton oder schnell trocknendes 1- oder 2-Komponenten-Material
- Zweikomponentenmaterial wie Haftgrund, Garagenbodenfarbe
- Einfahrtsversiegelung
- Mit Textur oder Sand gefülltes Material
- Gips
- Materialien wie Kalkstein, Glas, Ton, Quarz wie Spezialmauerwerk, Stuck, Ziegelfarbe
- Metallic-Lackierung
- Magnetfarbe oder Grundierung

### **GEFAHRSTOFFE**

- Farb- und Fleckentferner
- Bleichmittel oder jedes Material, das Bleichmittel enthält
- Herbizid
- Insektizid oder Pestizid
- Desinfektionsmittel

## **WARTUNG, REPARATUR**

### **TÄGLICHE WARTUNG**

Die Lebensdauer der Ausrüstung steht in direktem Zusammenhang mit der Qualität der Wartung. Befolgen Sie diese Richtlinien, um eine lange Lebensdauer der Ausrüstung zu gewährleisten.

Befolgen Sie immer sofort nach dem Gebrauch die Reinigungsprozedur. Im Gerät verbleibende Farbe oder Wasser führt zu Verstopfungen oder Korrosion, wodurch das Gerät nicht mehr funktioniert.

Verwenden Sie das Druckentlastungsverfahren beim Abschalten, Einstellen, Durchführen von Wartungs- oder Reparaturarbeiten.

Stellen Sie sicher, dass Sie oder andere Bediener dieses Handbuch gelesen und verstanden haben, bevor Sie das Gerät verwenden.

Wickeln Sie den Hochdruckschlauch nach der Reinigung auf, um Schäden zu vermeiden.

Geben Sie bei längerer Lagerung regelmäßig Mehrzweck-Leichtmaschinenöl wie Nähmaschinenöl oder ISO 22-Öl in das Spritzgerät, wie im Abschnitt „

Aufbewahren des Spritzgeräts “ beschrieben.

## **REPARATUR**

- Lassen Sie Ihr Elektrowerkzeug von einem qualifizierten Reparaturfachmann warten und verwenden Sie ausschließlich identische Ersatzteile. Dadurch wird sichergestellt, dass die Sicherheit des Elektrowerkzeugs gewahrt bleibt.
- Lassen Sie während der Reparatur alle Schrauben, Muttern, Unterlegscheiben, Dichtungen und elektrischen Anschlüsse entfernt. Diese Teile werden normalerweise nicht mit Ersatzsätzen geliefert.
- Lesen Sie den Abschnitt „Fehlerbehebung “, um bei der Identifizierung etwaiger Probleme zu helfen.
- Betreiben Sie das Spritzgerät nicht ohne angebrachte Motorabdeckung. Bei Beschädigung austauschen. Die Motorabdeckung leitet Kühlluft um den Motor herum, um eine Überhitzung zu verhindern, und isoliert die Steuerplatine, um versehentliche Stöße zu verhindern.

## CAUTION

- Do not run the sprayer dry for more than 30 seconds. Doing so could damage the pump packing **seals**.
- Protect the internal drive parts of the sprayer from water. Openings in the cover allow for air cooling of both the mechanical parts and electronics. If water enters these openings, the sprayer may malfunction or be permanently damaged.
- Prevent corrosion or freezing of the pump to avoid damage. Fluids that freeze within the sprayer or High-Pressure hose will cause permanent damage. Always store the sprayer with a multi-purpose light machine oil such as sewing machine oil or ISO 22 oil added to the sprayer pump as described in the section titled Storing the Sprayer.

## SPRITZSPITZENAUSSWAHL

Die Sprühdüsen sind so nummeriert, dass:

### SPRITZSPITZENAUSSWAHL

- Die erste Ziffer ergibt bei Multiplikation mit zwei die Sprühbreite in Zoll (wobei die Sprühspitze 1 Fuß (30 cm) von der zu besprühenden Oberfläche entfernt ist).
- Die letzten beiden Ziffern geben die Düsengröße in Tausendstel Zoll an (Hinweis: Eine größere Düse erhöht den Farbfluss).
- Die folgenden Düsengrößen werden für verschiedene Arten von Beschichtungsmaterialien empfohlen: Lack und Beize: 0,007 Zoll – 0,013 Zoll  
Emaille: 0,011 Zoll – 0,015 Zoll Acryl: 0,015 Zoll – 0,021 Zoll

## DÜSE SPRÜHEN TIPP AUSWAHL DIAGRAMM

Öffnung Größe (Zoll)

	0,007	0,009	0,011	0,013	0,015	0,017"	0,019	0,021	0,023	0,025	0,027	0,029	0,031	0,033	0,035"
	Zoll	Zoll	Zoll	Zoll	Zoll		Zoll	Zoll	Zoll	Zoll	Zoll	Zoll	Zoll	Zoll	
2- 4	107	109	111	113	115	117	119	121				129			
4- 6		209	211	213	215	217	219	221		225	227	229	231		235
6-8 _	307	309	311	313	315	317	319	321	323	325	327	329	331	333	335
8-10 _		409	411	413	415	417	419	421	423	425	427	429	431	433	435
10-12 _		509	511	513	515	517	519	521	523	525	527	529	531	533	535
12-14 _		609	611	613	615	617	619	621	623	625	627	629	631	633	635
14-16 _			711	713	715	717	719	721	723	725	727	729	731	733	735
16-18 _				813	815	817	819	821	823	825	827	829	831	833	835
18-20 _									923		927		931	933	935

## FEHLERBEHEBUNG

Problem	Ursache	Lösung
Leistung schalten Ist An, Und Sprühgerät Ist verstopft In, Aber Motor tut nicht laufen und pumpen radelt nicht.	Druck Kontrolle Knopf Ist Satz bei Null Druck.	Drehen Druck Kontrolle Knopf im Uhrzeigersinn Zu Druckeinstellung erhöhen.
	Motor oder Kontrolle Ist beschädigt.	Haben Die Sprühgerät gewartet von A qualifiziert Fachpersonal.
	Elektrisch Auslauf Ist nicht bereitstellen Leistung.	Versuchen Sie es mit einem andere Steckdose oder Testen Sie die Auslauf mit ein anderer Gerät oder Schaltung Prüfer. Zurücksetzen Die Schaltkreis Unterbrecher bzw ersetze das Sicherung.
	Verlängerung Kabel Ist beschädigt.	Ersetzen Die Verlängerungskabel.

	<p>Sprühgerät elektrisch Kabel Ist beschädigt.</p>	<p>Ziehen Sie den Stecker heraus Die Sprühkabel Und überprüfen für defekte Isolierung oder Drähte. Ersetzen Wenn beschädigt.</p>
	<p>Malen und/oder Wasser Ist gefroren oder ist verhärtet in der Pumpe.</p>	<p>Trennen Sie das Spritzgerät von der Steckdose. Wenn Wenn das Gerät eingefroren ist, versuchen Sie nicht, das Spritzgerät zu starten bis Es Ist vollständig aufgetaut oder Die Motor, Steuerplatine und/oder Antriebsstrang Sei permanent beschädigt. Sicherstellen Die Leistung schalten Ist AUS, Ort Die Sprühgerät In A warm Bereich für mehrere Std, Dann Stecker In Die Leistung Kabel Und Schalten Sie das Spritzgerät ein. Langsam Zunahme Druck Einstellung Zu sehen Wenn Die Motor Wille Start. Wenn malen hat eingehärtet Die Sprühgerät, das Pumpe Packungsdichtungen, Ventile, Antriebsstrang, und/oder Druckschalter muss sein ersetzt. Haben Die Sprühgerät gewartet von A qualifizierter Reparaturfachmann.</p>
<p>Pumpe nicht Primzahl.</p>	<p>Sprühen/Grundieren Schalten Ist In Sprühen Position.</p>	<p>Drehen Sprüh-/Ansaugschalter Zu Prime Position (zeigt runter)</p>
	<p>Einlasssieb ist verstopft, oder Saugen Rohr Ist nicht eingetaucht.</p>	<p>Sauber Trümmer aus Einlass Bildschirm Und machen Sicher Die Saugen Rohr Ist eingetaucht In Flüssigkeit.</p>
	<p>Pumpe War nicht grundiert mit Wasser oder lösungsmittelhaltige Spülflüssigkeit.</p>	<p>Absaugung entfernen Rohr von malen. Prime Die Pumpe mit der richtigen Spülflüssigkeit füllen.</p>
	<p>Einlass Ventil überprüfen Ball Ist gesteckt.</p>	<p>Entfernen Sie die Absaugung Rohr und platzieren Sie a Bleistift hinein Die Einlassabschnitt Zu entfernen Die Ball, erlauben Die Pumpe Zu Primzahl richtig.</p>

Einlass Ventil überprüfen Ball oder Sitz Ist schmutzig.	Entfernen Einlass passend zu. Sauber bzw ersetze das Ball und Sitz.
Auslauf überprüfen Ball oder Sitz Ist schmutzig.	Entfernen Die Auslauf passend zu. Sauber oder ersetzen Ball und Sitz.
Saugen Rohr Ist undicht.	Spannen Die Saugen Rohr Verbindung. Prüfen für Risse oder Vakuum Lecks.
Flüssigkeiten Sind viskos oder klebrig.	Manche Flüssigkeiten Mai Primzahl Schneller Wenn Die Leistung Der Schalter ist vorübergehend ausgeschaltet Pumpe dürfen langsam Und stoppen. Wiederholen Sie mehrere Mal, wenn nötig.

<b>Problem</b>	<b>Ursache</b>	<b>Lösung</b>
Pumpe Fahrräder Aber tut nicht bauen hoch Druck.	Pumpe Ist nicht grundiert.	Prime Die Pumpe.
	Einlass Bildschirm Ist verstopft	Reinigen Sie das Einlasssieb von Schmutz und machen Sicher Die Saugen Rohr Ist eingetaucht In Flüssigkeit.
	Saugen Rohr Ist nicht eingetaucht In malen.	Machen Sicher Die Saugen Rohr Ist eingetaucht In die Farbe.
	Saugen Rohr Ist undicht.	Ziehen Sie die Saugrohrverbindung fest. Überprüfen Sie den Schlauch auf Risse oder Vakuum Lecks. Wenn geknackt oder beschädigt, ersetzen Die Saugen Rohr.
	Sprühen/Grundieren Ventil Ist getragen oder durch Trümmer verstopft.	Haben Die Sprüherät betreut von A qualifiziert Fachpersonal.
	Einlass Ventil überprüfen Ball Ist gesteckt.	Entfernen Sie den Saugschlauch und platzieren Sie einen Bleistift hinein Die Einlassabschnitt Zu entfernen Die Ball, erlauben Die Pumpe Zu Primzahl richtig.

	Einlass Ventil überprüfen Ball oder Sitz Ist schmutzig.	Entfernen Einlass passend zu. Sauber bzw ersetze das Ball und Sitz.
	Auslauf überprüfen Ball oder Sitz Ist schmutzig.	Entfernen Die Auslauf passend zu. Sauber oder ersetzen Ball und Sitz.
Pumpzyklen, aber nur Farbe dribbelt oder spritzt Wann Die sprühen Waffe wird ausgelöst.	Druck Satz zu niedrig.	Langsam drehen Die Druck Kontrolle Knopf im Uhrzeigersinn Zu Zunahme Druck Einstellung.
	Düse Sprühen Tipp Ist verstopft.	Verstopfungen beseitigen Die Düse Sprühspitze .
	Sprühen Pistole Filter Ist verstopft.	Sauber oder ersetzen Die Filter In Die sprühen Pistole.
	Düse Sprühen Tipp Ist zu groß oder <b>WOITI</b> .	Ersetzen Die Düse Sprühspitze .
Druck Ist Satz bei maximalAber kann kein gutes Sprühergebnis erzielt werden Muster.	Düse Sprühen Tipp Ist In Die Verstopfungen beseitigen Position.	Entlasten Druck Und drehen Die Düse Sprühen Tipp Also Die Pfeil Ist zeigend weg vom Griff.
	Düse Sprühen Tipp Ist zu groß für die Farbe, die aufgesprüht wird.	Wählen A kleiner Düse Sprühen Tipp.
	Düsenspray Tipp Ist getragen.	Ersetzen Die Düse Sprühspitze .
	Verlängerung Kabel Ist zu lang oder nicht schwer genug.	Ersetzen Die Verlängerung Kabel mit A 12 AWG Kabel.

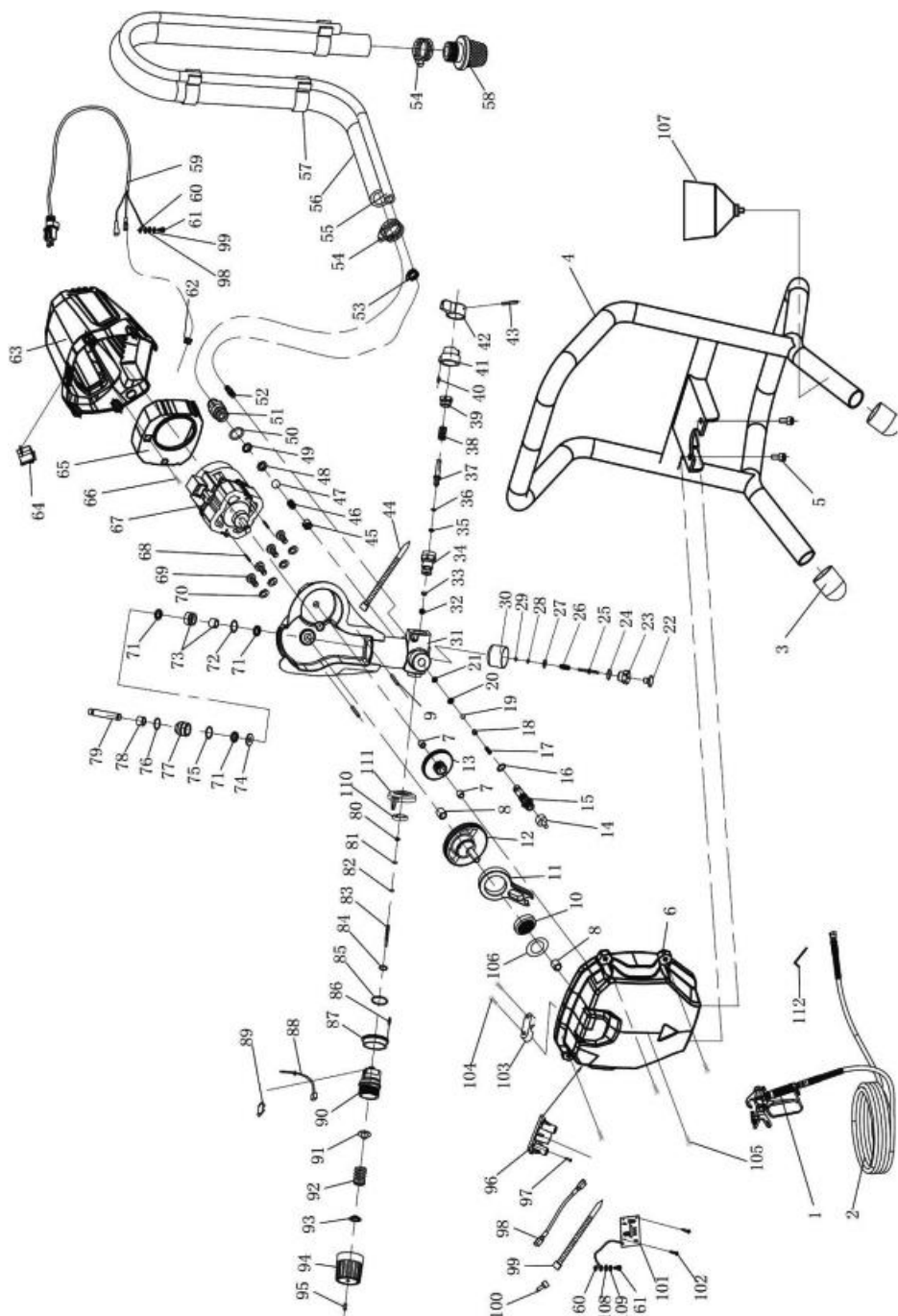
	Sprühen Pistole Flüssigkeit Filter Ist verstopft.	Sauber oder ersetzen Die sprühen Pistole Flüssigkeit Filter.
	Einlass Bildschirm Ist verstopft.	Sauber Trümmer aus Einlass Bildschirm.
	Pumpe Ventile Sind getragen, oder Trümmer verstopft die Ventile.	Zu überprüfen für getragenen Pumpe Ventile: Prime Die Sprühgerät mit Farbe. Lösen Sie die Waffe aus momentan. Wenn Die auslösen Ist freigegeben, Die Pumpe sollte kurzzeitig laufen stoppen. Wenn Es geht weiter Zu Zyklus, Dann Die Pumpe Ventil getragen werden darf.
	Lackmaterial Ist zu dick.	Dünn Die malen Material.
	Hoch Druck Schlauch Ist zu lang.	Wenn ein anderer Schlauch Abschnitt hat gewesen hinzugefügt, Entfernen Sie die Schlauchverlängerung.
<b>Problem</b>	<b>Ursache</b>	<b>Lösung</b>
Sprühen Pistole gestoppt Sprühen.	Saugen Rohr Ist undicht.	Ziehen Sie die fest Saugen Rohr Verbindung. Prüfen Die Rohr für Risse oder Vakuum Lecks.
	Düse Sprühen Tipp Ist verstopft.	Verstopfungen beseitigen Die Düse Sprühspitze .
Malen läuft runter Die Wand oder sackt durch.	Mantel Ist gehen An zu dick.	<p>Bewegen Die Pistole Schneller.</p> <p>Wählen A Düse Sprühen Tipp mit A kleiner Öffnung.</p> <p>Wählen A Düse Sprühen Tipp mit A breiter Lüfter.</p> <p>Sicherstellen A ausreichend Distanz (1 Fuss oder 30 cm) von der Waffe bis zur Lackierung Oberfläche.</p>



<p>Abdeckung Ist zu dünn oder gesprüht Farbe ist unzureichend.</p>	<p>Mantel Ist gehen An zu dünn.</p>	<p>Bewegen Die Pistole Langsamer. Wählen eine Düse Sprühen Trinkgeld mit A größer Öffnung. Wählen A Düse Sprühen Tipp mit A schmalere Lüfter. Sicherstellen A ausreichend Distanz (1 Fuss oder 30 cm) von der Waffe bis zur Lackierung Oberfläche.</p>
<p>Lüfter Muster variiert dramatisch während Sprühen. ODER Sprühgerät tut nicht drehen An sofort Wann Wiederaufnahme Sprühen.</p>	<p>Druckkontrollknopf ist getragen Und verursachend übertrieben Druck Variation.</p>	<p>Haben Die Spritzgerät gewartet von A qualifiziert Fachpersonal.</p>
<p>Kann nicht ausgelöst werden Die sprühen Pistole.</p>	<p>Sprühen Pistole auslösen sperren Ist gesperrt.</p>	<p>Drehen Die Auslösesicherung Hebel an Die Freischalten Position.</p>
<p>Malen Ist Kommen aus von Die Druckregelknopf.</p>	<p>Druck Kontrolle Knopf Ist getragen.</p>	<p>Haben Die Sprühgerät betreut von A qualifiziert Fachpersonal.</p>
<p>Sprüh-/Entlüftungsventil wird aktiviert automatisch entlastend Druck durch Die Ausgabe Prime Rohr.</p>	<p>System Ist Überdruck.</p>	<p>Haben Die Spritzgerät gewartet von A qualifiziert Fachpersonal.</p>

Malen Lecks runter Die draußen von Die Pumpe.	Pumpe Verpackung Robben haben getragen.	Pumpe austauschen Verpackung Siegel.
Motor ist heiß und läuft intermittierend. Motor automatisch schließt aus fällig Zu übermäßige Hitze. Schaden dürfen geschehen Wenn Ursache Ist nicht korrigiert.	Entlüften Löcher In Motor Gehege verstopft sind oder das Spritzgerät defekt ist bedeckt.	Halten entlüften Löcher klar von Hindernisse und Overspray, und behalten Sie das Spritzgerät unbedeckt und offen für die Luft.
	Verlängerung Kabel Ist zu lang oder nicht schwer genug.	Ersetzen Die Verlängerung Kabel mit A 12 AWG Kabel.
	Unreguliert elektrisch Generator verwendet wird, ist übermäßig Stromspannung.	Verwenden ein elektrisch Generator mit A richtig Spannungsregler. Für das Sprühgerät ist ein erforderlich 120VAC, 60Hz, 1500-Watt-Generator.

## TEILEDIAGRAMM



## LISTE DER EINZELTEILE

NEIN.	Beschreibung	NEIN.	Beschreibung	NEIN.	Beschreibung	NEIN.	Beschreibung
1	Airless Sprühen Pistole	34	Drücken Sie. Erleichterung Ventilsitz _	67	Motor Montage	100	Sperren Ring
2	Hoch Druck Schlauch	35	O-Ring, 5 X 1.8	68	Stift, 3 x12	101	Leiterplatte Montage
3	Fuß Pads	36	Ring	69	Verhexen Bolzen, MS X 14	102	Selbst Klopfen Schrauben
4	Base Rahmen	37	Drücken Sie. Erleichterung Ventil Welle	/ O	Frühling Waschmaschine, M5	103	Grundlinie Platte
5	Verhexen Bolzen, M6 X 25	38	Frühling	71	Zusammengesetzt Behalten Ring	104	Bolzen, M4 X 20
6	Pumpendeckel	39	Frühling Sitz	72	O-Ring, 22.5 X 1.8	105	Bolzen, M4.8 x 16
7	Sm Messing Buchse	40	Stift, 3 x8	73	Fangen	106	Rolle Brg. Cvr.
8	LG Messing Buchse	41	Schalten Sitz	74	Wohnung Waschmaschine	107	Trichter
9	Stift, 5 X 12	42	Schalten Knopf	75	Siegel Ring	108	Wohnung Unterlegscheibe, M4
10	Rolle Lager	43	Stift, 2.5 x25	76	O-Ring, 26.5 X 1.8	109	Frühling Waschmaschine, M4
11	Verbinden Stange	44	Nylon Kabel Binden	77	Kolben Sitz	110	Drücken Sie. Ctl. Dichtung
12	Kurbel Zahnrad	45	Einlass Frühling Halter	78	Führung Mantel	111	Drücken Sie. Ctl. Indikator Ring
13	Cluster Gang	46	Einlass Frühling	79	Kolben		
14	Faden Schutz	47	Stahl Ball, 12.7	80	Sperren Ärmel		

15	Entladung Ventilsitz _	48	Einlass Siegel	81	Verstärkt Siegel		
16	O-Ring, 10 x 8	49	Einlass Waschmaschine	82	Weiß Siegel		
17	Ausgabe Frühling	50	O-Ring, 17 x 1,8	83	Schalten Welle		
18	Dorn	51	Einlass Hafen	84	O-Ring, 8,8 X 1.9		
19	Stahl Ball, 6.4	52	Drücken Sie. Erleichterung Stecker	85	O-Ring, 27 X 2.4		
20	SealSeat	53	Sm Schlauch Klemme	86	Bolzen, M3 X 10		
21	Ausgabe Waschmaschine	54	LG Schlauch Klemme	87	Ende Deckel		
22	Druckknopf	55	Grundierung Ausgabe Rohr	88	Mikroschalter Assy.		
23	Druckknopf Frühling	56	Saugen Rohr	89	Mikroschalterabdeckung		
24	O-Ring, 10 x 1.5	57	Schlauchclip	90	Drücken Sie. Ctl. Sitz Einfügen		
25	Druckknopf Welle	58	Einlass Bildschirm Assy.	91	Deflationsobergrenze _		
26	Druckknopf Frühling	59	Netzkabel	92	Drücken Sie. Ctl. Frühling		
27	Messing Abstandshalter	60	Kontermutter	93	Frühling Sitz		
28	Behalten Ring	61	Schrauben, M4 X 8	94	Drücken Sie. Ctl. Knopf		
29	O-Ring 2.4 X 1.8	62	Kabel Beanspruchung Erleichterung	95	Drücken Sie. Ctl. Schrauben		

30	Druckknopf Gehäuse	63	Motor Gehäuse	96	Leiterplatte Unterstützung Brkt.		
31	Pumpe Gehäuse	64	Leistung Schalten	97	Bolzen, M4 x 10		
32	Plastik Waschmaschine	65	Lüfter Leichtentuch	98	Draht Verbinder		
33	Plastik Waschmaschine	66	Bolzen, 2 x16	99	Nylon Kabel Binden		

**Adresse:** Baoshanqu Shuangchenglu 803long 11hao 1602A-1609shi Shanghai  
**Importiert nach AUS:** SIHAO PTY LTD . 1 ROKEVA STREETEASTWOOD NSW  
2122 Australien

**In die USA importiert:** Sanven Technology Ltd. Suite 250, 9166 Anaheim Place,  
Rancho Cucamonga, CA 91730

<b>EC</b>	<b>REP</b>	SHUNSHUN GmbH Römeräcker 9 Z2021,76351 Linkenheim-Hochstetten, Germany
-----------	------------	--

<b>UK</b>	<b>REP</b>	Pooledas Group Ltd Unit 5 Albert Edward House, The Pavilions Preston, United Kingdom
-----------	------------	--

**In China hergestellt**

**VEVOR<sup>®</sup>**

**TOUGH TOOLS, HALF PRICE**

**Technisch Support- und E-Garantiezertifikat**

**[www.vevor.com/support](http://www.vevor.com/support)**

# **VEVOR<sup>®</sup>**

**TOUGH TOOLS, HALF PRICE**

Technique Assistance et certificat de garantie électronique

[www.vevor.com/support](http://www.vevor.com/support)

## **Pulvérisateur de peinture sans air haute pression**



We continue to be committed to provide you tools with competitive price.

"Save Half", "Half Price" or any other similar expressions used by us only represents an estimate of savings you might benefit from buying certain tools with us compared to the major top brands and does not necessarily mean to cover all categories of tools offered by us. You are kindly reminded to verify carefully when you are placing an order with us if you are actually saving half in comparison with the top major brands.

# VEVOR<sup>®</sup>

TOUGH TOOLS, HALF PRICE

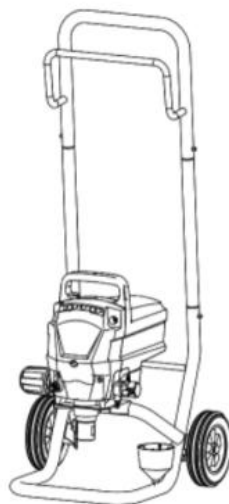
## HIGH PRESSURE AIRLESS PAINT SPRAYER



RP862 6



RP862 6 PLUS



### NEED HELP? CONTACT US!

Have product questions? Need technical support? Please feel free to contact us:

**Technical Support and E-Warranty Certificate**  
[www.vevor.com/support](http://www.vevor.com/support)

This is the original instruction, please read all manual instructions carefully before operating. VEVOR reserves a clear interpretation of our user manual. The appearance of the product shall be subject to the product you received. Please forgive us that we won't inform you again if there are any technology or software updates on our product.



## 11. Consignes de sécurité importantes

Ce manuel d'instructions est destiné à votre bénéfice . Veuillez lire et suivre les consignes de sécurité, d'installation et d'entretien. et les étapes de dépannage décrites ci-dessous pour garantir votre sécurité et votre satisfaction. Le contenu de cette instruction Le manuel est basé sur les dernières informations sur le produit disponibles au moment de la publication. Le fabricant se réserve le droit d'apporter des modifications au produit à tout moment et sans préavis.









Les instructions de sécurité fournies dans ce manuel ne sont pas destinées à couvrir conditions et pratiques possibles qui peuvent survenir lors de l'utilisation, de l'entretien et du nettoyage de l'équipement électrique.

Faites toujours preuve de bon sens et portez une attention particulière à tous les DANGER, AVERTISSEMENT, ATTENTION et AVIS. déclarations contenues dans ce manuel.

Maintenir les étiquettes. Ceux-ci contiennent des informations importantes. L'étiquette de votre outil peut inclure les symboles suivants. Les symboles et leurs définitions sont les suivants :

<b>Symbol e</b>	<b>Propriété ou déclaration</b>
	Attention - Pour réduire le risque de blessure, l' utilisateur doit lire attentivement le manuel d'instructions. Lisez et comprenez ce manuel d'instructions avant d'utiliser ce produit. ne pas le faire peut entraîner des blessures graves, voire la mort.
	<b>Symbole d'alerte de sécurité</b> Ce symbole, placé avant un commentaire de sécurité, indique une sorte de précaution, d'avertissement ou de danger. Ignorer cet avertissement peut entraîner un accident. Pour réduire le risque de blessure, d'incendie ou d'électrocution, veuillez toujours suivre les recommandations indiquées ci-dessous.

	<b>Danger!</b> Risque de blessures ou de dommages à l'environnement ! Risque de choc électrique! Risque de blessures par choc électrique !
	Avertissement - Assurez-vous de porter des protecteurs d'oreilles lorsque vous utilisez ce produit.
	Avertissement - Assurez-vous de porter des protections oculaires lorsque vous utilisez ce produit.
	Avertissement - Assurez-vous de porter des masques anti-poussière lorsque vous utilisez ce produit.
	Avertissement - Assurez-vous de porter des gants lorsque vous utilisez ce produit.
	Risque d'incendie
	 Risque d'explosion.
	  Risque d'injection cutanée.
	 Risque de vapeurs toxiques. Utiliser uniquement dans des zones bien ventilées.
	Risque lié aux pièces en aluminium sous pression.
	Évitez les sources d'inflammation telles que les veilleuses, les cigarettes, les lampes portatives, etc.
	Soulager la pression du système.

	Surfaces chaudes/risque de brûlure.
	<p><b>Informations sur l'élimination :</b></p> <p>Ce produit est soumis aux dispositions de la directive européenne 2012/19/CE. Le symbole représentant une poubelle barrée indique que le produit nécessite une collecte sélective des déchets dans l'Union européenne. Ceci s'applique au produit et à tous les accessoires marqués de ce symbole. Les produits marqués comme tels ne peuvent pas être jetés avec les ordures ménagères normales, mais doivent être déposés dans un point de collecte pour le recyclage des appareils électriques et électroniques .</p>
V	Volts
UN	Ampères
Hz	Hertz
W	Watts
	Courant alternatif (AC)
	Courant continu (DC)
	Courant alternatif ou continu (AC/DC)
	Terminal de restauration
	Construction de classe I (mise à la terre)
	Construction de classe II (double isolation)
psi	Livres par pouce carré
MPa	Mégapascals
RPM	Révolutions par minute

min	Minutes
s	Secondes

## RÈGLES GÉNÉRALES DE SÉCURITÉ DES OUTILS

### ÉLECTRIQUES

#### UN AVERTISSEMENT

**LISEZ TOUS LES AVERTISSEMENTS DE SÉCURITÉ ET TOUTES LES INSTRUCTIONS.** Le non-respect des

**avertissements et des instructions** peut entraîner un choc électrique, un incendie, une explosion et/ou des blessures graves.

**CONSERVEZ TOUS LES AVERTISSEMENTS ET INSTRUCTIONS POUR RÉFÉRENCE FUTURE.**

**Le terme « outil électrique » dans les avertissements fait référence** à votre outil électrique alimenté sur secteur (avec fil).

#### ZONE DE TRAVAIL SÉCURITÉ

- Gardez la zone de travail propre et bien éclairée. Les zones encombrées ou sombres invitent les accidents
- N'utilisez pas d'outils électriques dans des atmosphères explosives, par exemple en présence de liquides, de gaz ou de poussières inflammables. Les outils électriques créent des étincelles qui peuvent enflammer la poussière ou les fumées.
- Éloignez les enfants et les spectateurs lorsque vous utilisez un outil électrique. Les distractions peuvent vous faire perdre le contrôle.

#### SÉCURITÉ PERSONNELLE

- **Restez vigilant, surveillez ce que vous faites et faites preuve de bon sens lorsque vous utilisez un outil électrique. N'utilisez pas d'outil électrique lorsque vous êtes fatigué ou sous l'influence de drogues, d'alcool ou de médicaments. Un moment d'inattention lors de l'utilisation d'un outil électrique peut entraîner des blessures graves.**
- **Utilisez un équipement de protection individuelle. Portez toujours des lunettes de protection avec des écrans latéraux. Les équipements de protection tels que les respirateurs, les masques anti-poussière, les**

**chaussures de sécurité antidérapantes, les casques de sécurité et les protections auditives réduiront les blessures corporelles.**

- **Empêcher les démarrages involontaires. Assurez-vous que l'interrupteur est en position d'arrêt avant de vous connecter à une source d'alimentation, de ramasser ou de transporter l'outil. Transporter des outils électriques avec le doigt dessus**
  - l'interrupteur ou les outils électriques sous tension qui ont l'interrupteur allumé invitent aux accidents.
  - **N'allez pas trop loin.** Gardez toujours une bonne position et un bon équilibre pour permettre un meilleur contrôle de l'outil électrique dans des situations inattendues.
  - **Habillez-vous correctement.** Ne portez pas de vêtements amples ni de bijoux. Gardez vos cheveux, vos vêtements et vos gants éloignés des pièces mobiles. Les vêtements amples, les bijoux ou les cheveux longs peuvent être happés par les pièces mobiles.
  - **Gardez les poignées et les surfaces de préhension sèches et propres. et exempt d'huile et de graisse.** Les poignées et surfaces de préhension glissantes ne permettent pas une manipulation et un contrôle sûrs de l'outil dans des situations inattendues.
  - **Ne laissez pas la familiarité acquise grâce à l'utilisation fréquente des outils vous permettre de devenir complaisant et d'ignorer les principes de sécurité.** Une action imprudente peut provoquer des blessures graves en une fraction de seconde.
  - **Ce produit n'est pas destiné à être utilisé par des personnes (y compris des enfants) dont les capacités physiques, sensorielles ou mentales sont différentes ou réduites, ou qui manquent d'expérience ou de connaissances, à moins que ces personnes ne soient supervisées ou formées au fonctionnement de l'appareil par une personne responsable de leur sécurité.** Les enfants doivent être surveillés pour s'assurer qu'ils n'utilisent pas l'appareil comme jouets.

#### **UTILISATION ET ENTRETIEN DE L'OUTIL ÉLECTRIQUE**

- **NETTOYER LE PULVÉRISATEUR APRÈS CHAQUE UTILISATION.**
- **Ne forcez pas l'outil électrique. Utilisez l'outil électrique approprié pour votre application. Le bon outil électrique fera le travail mieux et de manière plus sûre au rythme pour lequel il a été conçu.**
- **N'utilisez pas l'outil électrique si l'interrupteur ne l'allume pas et ne l'éteint pas. Tout outil électrique qui ne peut pas être contrôlé avec l'interrupteur est**

dangereux et doit être réparé.

- **Débranchez la fiche de la source d'alimentation avant d'effectuer des réglages, de changer d'accessoires ou de ranger des outils électriques. De telles mesures de sécurité préventives réduisent le risque de démarrage accidentel de l'outil électrique.**
- **Rangez les outils électriques inactifs hors de portée des enfants et ne laissez pas des personnes qui ne connaissent pas l'outil électrique ou ces instructions utiliser l'outil électrique. Les outils électriques sont dangereux entre les mains d'utilisateurs non formés.**
- **Entretien des outils électriques. Vérifiez le désalignement ou le grippage des pièces mobiles, la rupture des pièces et toute autre condition pouvant affecter le fonctionnement de l'outil électrique. S'il est endommagé, faites réparer l'outil électrique avant utilisation. De nombreux accidents sont causés par des outils électriques mal entretenus.**

#### -Service

- **Utilisez l'outil électrique, les accessoires, les embouts, etc. conformément à ces instructions, en tenant compte des conditions de travail et du travail à effectuer.** L'utilisation de l'outil électrique pour des opérations différentes de celles prévues pourrait entraîner une situation dangereuse.
- **Vérifiez les pièces endommagées avant chaque utilisation.** Vérifiez que les protections fonctionnent correctement et remplissent leur fonction prévue. Vérifiez l'alignement des pièces mobiles, le grippage des pièces mobiles, la rupture des pièces, le montage et toute autre condition pouvant affecter son fonctionnement. Une protection ou une autre pièce endommagée doit être correctement réparée ou remplacée par un centre de service agréé. Le respect de cette règle réduira le risque de choc, d'incendie ou de blessure grave.
- **Inspectez périodiquement le cordon de l'outil électrique et, s'il est endommagé, il doit être remplacé uniquement par le fabricant ou par un centre de service agréé pour éviter tout risque.** Le respect de cette règle réduira le risque de choc électrique ou d'incendie.
- **Faites réparer votre outil électrique par un réparateur qualifié en utilisant uniquement des pièces de rechange identiques.** Cela garantira que la sécurité de l'outil électrique est maintenue.



# AVERTISSEMENTS DE SÉCURITÉ SPÉCIFIQUES

## UN AVERTISSE MENT

Ce pulvérisateur n'est pas destiné à être utilisé avec des matériaux inflammables ou combustibles utilisés dans des applications industrielles ou fixes telles que des usines ou des ateliers de peinture. Respectez toutes les réglementations fédérales, étatiques ou provinciales applicables et respectez les exigences NFPA 33 et OSHA s'il est utilisé dans ces applications. Suivez toutes les réglementations fédérales, étatiques ou provinciales applicables et

### SÉCURITÉ INCENDIE

#### ! DANGER



#### Pour réduire le risque d'incendie ou d'explosion :

- **Les vapeurs de solvant et de peinture sont inflammables et peuvent s'enflammer ou exploser.** Utilisez uniquement dans un endroit bien ventilé et laissez l'air frais circuler dans la zone de travail. Gardez la pompe bien ventilée et ne vaporisez pas l'ensemble de la pompe.
- **Le pulvérisateur génère des étincelles.** Lorsqu'un liquide inflammable est utilisé dans ou à proximité du pulvérisateur ou pour le rinçage ou le nettoyage, gardez le pulvérisateur à au moins 20 pieds (6 m) des vapeurs explosives.
- **Ne pulvérisez pas de matériaux inflammables ou combustibles à proximité d'une flamme nue ou de sources d'inflammation telles que des chauffe-eau, des cigarettes, des moteurs et des équipements électriques avec des veilleuses.** Utilisez uniquement des matériaux à base d'eau ou de type essence minérale avec un point d'éclair supérieur à 70°F (21°C).
- **La peinture ou le solvant circulant à travers l'équipement peut provoquer de l'électricité statique.** L'électricité statique crée un risque d'incendie ou d'explosion en présence de vapeurs de peinture ou de solvants. Toutes les pièces du système

de pulvérisation, y compris la pompe, le flexible, le pistolet pulvérisateur et les objets dans et autour de la zone de pulvérisation, doivent être correctement mis à la terre pour se protéger contre les décharges statiques et les étincelles. Utilisez uniquement des tuyaux de pulvérisation de peinture sans air haute pression conducteurs ou mis à la terre spécifiés par le fabricant.

- **Évitez les décharges statiques en vous assurant que tous les conteneurs et systèmes de collecte sont correctement mis à la terre.**
- **Utilisez toujours une prise de courant mise à la terre et des rallonges mises à la terre.** N'utilisez pas d'adaptateur de prise 3 vers 2.
- **Ne pas utiliser de peinture ou de solvant contenant des hydrocarbures halogénés.** Connaître le contenu des peintures et des solvants pulvérisés. Lisez toutes les fiches signalétiques (MSDS) et les étiquettes des contenants fournies avec les peintures et les solvants. Suivez les instructions de sécurité du fabricant de peinture et de solvants.
- **Gardez toujours un extincteur en état de marche à proximité.**
- **Ne fumez pas dans la zone de travail.**
- **Ne pas faire fonctionner les interrupteurs, les moteurs ou les produits similaires produisant des étincelles dans la zone de pulvérisation.**
- **Gardez la zone de travail propre et exempte de contenants de peinture ou de solvant, de chiffons et d'autres matériaux inflammables .**

## SÉCURITÉ ÉLECTRIQUE

**! DANGER**



**Pour réduire le risque de choc électrique :**

- **Ce produit nécessite une prise correctement mise à la terre pour réduire le risque de**

**choc électrique.** Assurez-vous que la prise de courant est correctement mise à la terre conformément à tous les codes et ordonnances locaux. La fiche et la prise doivent ressembler à celles de la figure A. Consultez un électricien qualifié ou un technicien de maintenance si les instructions de mise à la terre ne sont pas comprises ou s'il y a des doutes quant à la mise à la terre correcte de l'équipement.

- **Ne modifiez pas la fiche du cordon d'alimentation fournie avec l'outil.** Ne retirez jamais la broche de mise à la terre de la fiche. Si la fiche ne rentre pas dans la prise, faites installer une prise appropriée par un électricien qualifié.
- **N'utilisez pas l'outil si le cordon d'alimentation ou la fiche est endommagé.** S'il est endommagé, faites-le réparer par un centre de service avant utilisation.
- **La prise doit correspondre à la fiche.** N'utilisez aucun type d'adaptateur avec une fiche mise à la terre. Des fiches non modifiées et des prises correspondantes réduiront le risque de choc électrique.
- **Évitez tout contact corporel avec des surfaces mises à la terre ou mises à la terre telles que des tuyaux, des radiateurs, des cuisinières et des réfrigérateurs.** Il existe un risque accru de choc électrique si votre corps est mis à la terre ou mis à la terre.
- **N'exposez pas ce produit à la pluie ou à des conditions humides.** L'eau pénétrant dans le produit augmentera le risque de choc électrique.
- **Si une rallonge est nécessaire, utilisez une rallonge de 12 AWG (2,5 mm<sup>2</sup>) minimum pour fournir la quantité correcte de courant pour l'outil.** Un cordon sous-dimensionné entraînera une chute de tension qui entraînera une perte de puissance et une surchauffe.
- **rallonge à 3 fils avec une fiche de mise à la terre dotée d'une prise correctement mise à la terre qui acceptera la fiche de cet outil.**



- **Suivez les codes locaux lorsque vous choisissez un seau de solvant pour le**

**rinçage.** Utilisez uniquement des seaux métalliques conducteurs placés sur une surface mise à la terre telle que du béton. Ne placez pas le seau sur une surface non conductrice telle que du papier ou du carton. Connectez un fil de terre entre le seau et une terre telle qu'un tuyau métallique. Lors du rinçage ou du relâchement de la pression, maintenez une partie métallique du pistolet contre le seau pour assurer la continuité avec la terre puis pulvériser.

## DES INJECTIONS CUTANÉES



**EN CAS D'INJECTION CUTANÉE ACCIDENTELLE, RECHERCHEZ UN TRAITEMENT MÉDICAL IMMÉDIAT !** Un jet ou des fuites à haute pression peuvent pénétrer dans la peau, entraînant des blessures graves, voire la mort.

**Pour réduire le risque d'injection cutanée :**

- **Vérifiez que toutes les connexions sont serrées AVANT d'allumer l'appareil.**
- **Ne dirigez pas le pistolet ou le pulvérisateur vers une personne ou un animal.**
- **Gardez les mains et autres parties du corps à l'écart de la buse de pulvérisation et des fuites.** N'essayez pas d'arrêter les fuites avec n'importe quelle partie du corps.
- **Utilisez toujours un protège-embout de buse.** Ne pulvérisiez jamais sans qu'un protège-embout de buse soit installé.
- **Engagez le verrouillage de la gâchette lorsque vous ne pulvérisiez pas.** L'équipement maintient la pression après la coupure de courant.
- **Inspectez les tuyaux et les pièces pour déceler tout dommage avant chaque utilisation.** Remplacez tout tuyau ou pièce endommagée uniquement par des pièces de rechange d'origine.
- **Les composants de remplacement doivent avoir une pression nominale non inférieure à celle de la pompe de 3 000 PSI (205 bars).**

**! WARNING**



- **Suivez toujours la procédure de décompression pour arrêter et relâcher la pression. Ne laissez pas l'appareil sous tension ou sous pression sans surveillance ou lorsqu'il n'est pas utilisé.**
- **Soyez prudent lors du nettoyage et du changement des tuyaux, des pointes de buse, des protections de pointe ou lors de l'installation de rallonges.** Suivez la procédure de décompression pour arrêter et relâcher la pression avant de tenter de changer.

**SURFACE CHAUDE**

**! WARNING**



Les surfaces de l'équipement et les fluides sous pression peuvent devenir chauds pendant le fonctionnement. Évitez les brûlures en ne touchant pas le liquide ou l'équipement chaud.

**SÉCURITÉ ÉQUIPEMENTS**

**! WARNING**



UNE MAUVAISE UTILISATION DE CET ÉQUIPEMENT PEUT PROVOQUER LA MORT OU DES BLESSURES GRAVES.

- **N'utilisez pas l'appareil lorsque vous êtes fatigué ou sous l'influence de drogues ou d'alcool.**
- **Les liquides ou fumées toxiques peuvent causer des blessures**

**graves ou la mort en cas d'éclaboussure dans les yeux ou sur la peau, par inhalation** ou par ingestion. équipement de protection, y compris une protection oculaire, un écran facial, une protection auditive et un respirateur ou un visage masque. Consultez toujours la fiche signalétique et connaissez les risques spécifiques au fluide que vous utilisez.

- Ne dépassez pas la pression de service maximale ou la température nominale la plus basse composant du système.
- **Utiliser des liquides et solvants compatibles avec du matériel.** Toutes les manières de lire le fluide et le solvant les avertissements du fabricant.
- **Les équipements sous pression peuvent démarrer sans avertissement.** Avant d'inspecter, de déplacer ou d'entretenir l'équipement, suivez les instructions de décompression Procédure décrite dans ce manuel et débranchez le source de courant.

## SÉCURITÉ EN ALUMINIUM

**⚠ WARNING**



Utilisation de fluides incompatibles avec l'aluminium dans un équipement sous pression peut provoquer de graves réaction chimique et rupture d' équipement. Échec le respect de cet avertissement pourrait entraîner la mort, des blessures graves ou des dommages matériels.

Ne pas utiliser de 1,1, 1 - trichloroéthane , de méthylène chlorure ou autre halogéné hydrocarbure solvants ou fluides contenant de tels solvants.

De nombreux autres fluides peuvent contenir des produits chimiques qui peut réagir avec l'aluminium. Contactez votre matériel fournisseur pour la compatibilité .

## WARNING

Avant d'utiliser ce produit, veuillez lire et comprendre toutes les instructions et avertissements de sécurité. Une mauvaise utilisation peut entraîner des blessures graves ou des dommages matériels.

1 .Avertissements \_ doit être suivi soigneusement \_\_ à éviter corps blessure. Non conforme utiliser peut résultat dans choc électrique,

incendie, blessures corporelles et autres dommages :

- 1 ) Gardez débrancher quand déplacer le machine.
- 2 ) Gardez débrancher quand installation \_ accessoires
- 3 ) Placer un appartement et écurie plate-forme et fonctionner sous ventilé conditions
- 4) Porter des vêtements spéciaux équipement de protection lorsque en fonctionnement le machine
- 5)Faire ne pas utiliser ça machine dans un emplacement dangereux.
- 6) Faire pas utiliser quand le machine est pas fonctionnement correctement .
- 7) Faire pas démonter et réparation ce machine .
- 8) Faire pas utiliser un inapproprié CA Sortie .
- 9)Faire ne touche pas le chauffage assiette quand le la machine chauffe .
- 10)Faire Ne pas utiliser dans un endroit humide environnement ou contact avec l'eau. Faire pas inf je filtre liquide dans le machine à prévenir les incendies ou un choc électrique causé par court-circuit.
- 11) Faire pas utiliser le pouvoir fournir que fait pas rencontrer le évalué tension . Le pouvoir fournir ça fait ne répond pas à la tension spécifiée peut provoquer un incendie ou électrique choc.
- 12) Assurez-vous que le machine est fondé donc comme pas à cause nuire au corps . \_
- 13)Faire ne touche pas le rotation \_ tige ou portant séparez-vous de vos odoigts pendant utiliser dans cas de blessures .
- 14) Si le machine est pas dans utiliser pour un long temps , s'il te plaît débrancher le pouvoir corde depuis le prise .
- 15) Faire ne pas utiliser le machine pendant les orages ou éclairage à éviter dommages le machine .
- 16) Placer le machine en douceur sur la table ignifuge et reste loin de inflammable et \_\_ explosif articles.
- 17) S'il vous plaît louer arrêt en utilisant il si le machine fume , émet un particulier odeur , ou devient bruyant et dans autre anormal conditions.
- 18)Cet appareil peut être utilisé par les enfants vieilli depuis 8 années et au-dessus de et personnes avec réduit physique , sensoriel ou mental

capacités ou manque d'expérience et connaissance \_  
s'ils ont reçu une surveillance ou des instructions concernant l'utilisation de l'appareil dans un environnement sûr. façon et comprendre les dangers encourus. Les enfants ne doivent pas jouer avec l'appareil. Le nettoyage et l'entretien par l'utilisateur ne doivent pas être effectués par des enfants sans surveillance.

29) de type Z : si le cordon d'alimentation ne peut pas être remplacé. Si le cordon est endommagé, l'appareil doit être mis au rebut.

30) Afin d'éviter tout danger dû à un réarmement involontaire du coupe-circuit thermique, ce L'appareil ne doit pas être alimenté via un dispositif de commutation externe, tel qu'une minuterie, ou connecté à un circuit qui est régulièrement allumé et éteint par le service public.

## FCC INFORMATION

**PRUDENCE:** Les changements ou modifications non expressément approuvés par la partie responsable de la conformité pourraient annuler le droit de l'utilisateur à utiliser l'équipement !

Cet appareil est conforme à la partie 15 des règles FCC. L'exploitation est soumise aux deux conditions suivantes :

- 1) Ce produit peut provoquer des interférences nuisibles.
- 2) Ce produit doit accepter toute interférence reçue, y compris les interférences susceptibles de provoquer un fonctionnement indésirable.

**AVERTISSEMENT:** Les changements ou modifications apportés à ce produit non expressément approuvés par la partie responsable de la conformité pourraient annuler le droit de l'utilisateur à utiliser le produit.

**Note:** Ce produit a été testé et jugé conforme aux limites d'un appareil numérique de classe B conformément à la partie 15 des règles FCC. Ces limites sont conçues pour fournir une protection raisonnable contre les interférences nuisibles dans une installation résidentielle.

Ce produit génère, utilise et peut émettre de l'énergie radiofréquence, et sinon installé et utilisé conformément aux instructions, peut provoquer des interférences nuisibles aux communications radio. Cependant, rien ne garantit que des interférences ne se produiront pas dans une installation



particulière. Si ce produit provoque des interférences nuisibles à la réception radio ou télévision, ce qui peut être déterminé en éteignant et rallumant le produit, l'utilisateur est encouragé à essayer de corriger les interférences en prenant une ou plusieurs des mesures suivantes.

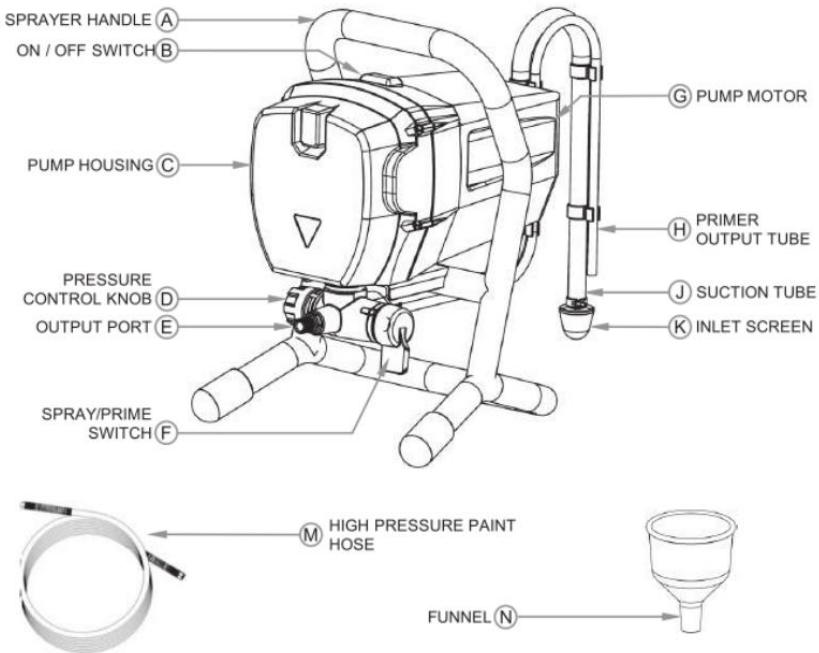
- Réorientez ou déplacez l'antenne de réception.
- Augmentez la distance entre le produit et le récepteur.
- Connectez le produit à une prise sur un circuit différent de celui auquel le récepteur est connecté.
- Consultez le revendeur ou un technicien radio/TV expérimenté pour obtenir de l'aide.

## SPÉCIFICATIONS

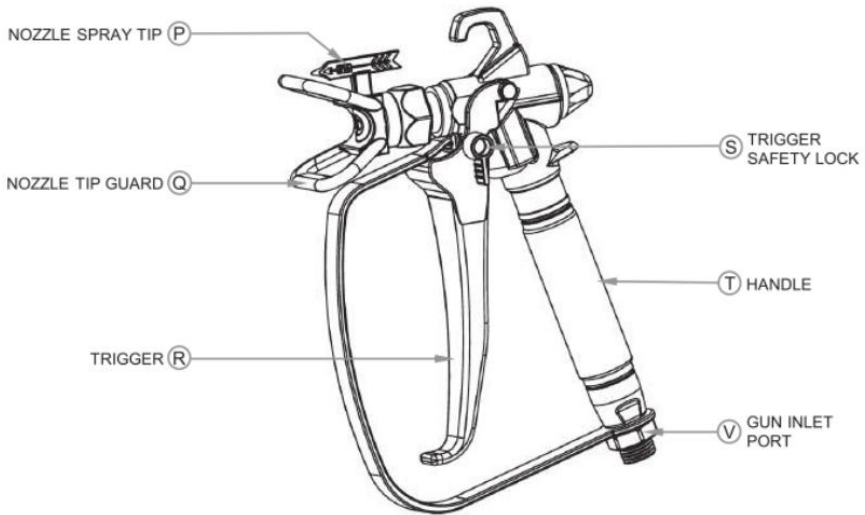
Items	Description	RP8626	RP8626 PLUS
1	Rated Voltage:	120VAC 60Hz ( For US user)	120VAC 60Hz ( For US user)
2	Rated Voltage:	230VAC 50Hz ( For Europe user)	230VAC 50Hz ( For Europe user)
3	Rated Power:	750 W	750 W
4	Maximum Working Pressure (MWP):	3000 PSI	3000 PSI
5	Maximum Delivery:	1.2 LPM	1.2 LPM
6	Work Environment Temperature:	5° C - 40° C / 40° F - 105° F	5° C - 40° C / 40° F - 105° F
7	Standard Nozzle:	517	517
8	Transportation and Storage Temperature:	-13° F-131° F (-25° C-55° C)	-13° F-131° F (-25° C-55° C)
9	Hose Length:	7.6 m / 25 ft	7.6 m / 25 ft
10	Paint Outlet Connector Size	1/4" -18 NPSM	1/4" -18 NPSM
11	G. W. :	9.8kg	12.3kg

## CARACTÉRISTIQUES IDENTIFICATION

### PULVÉRISATEUR RP8626 :

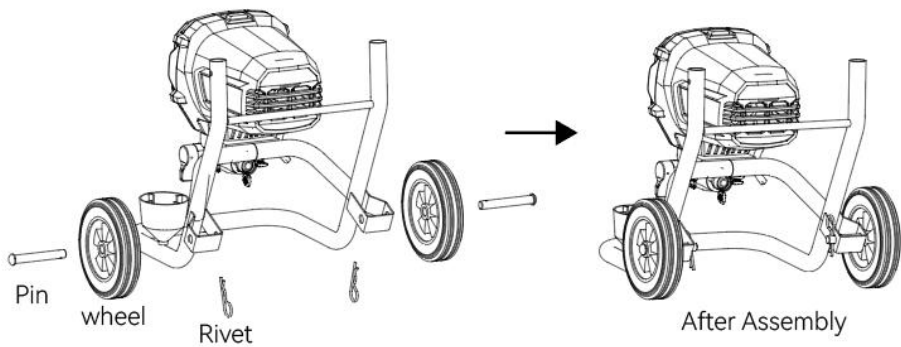


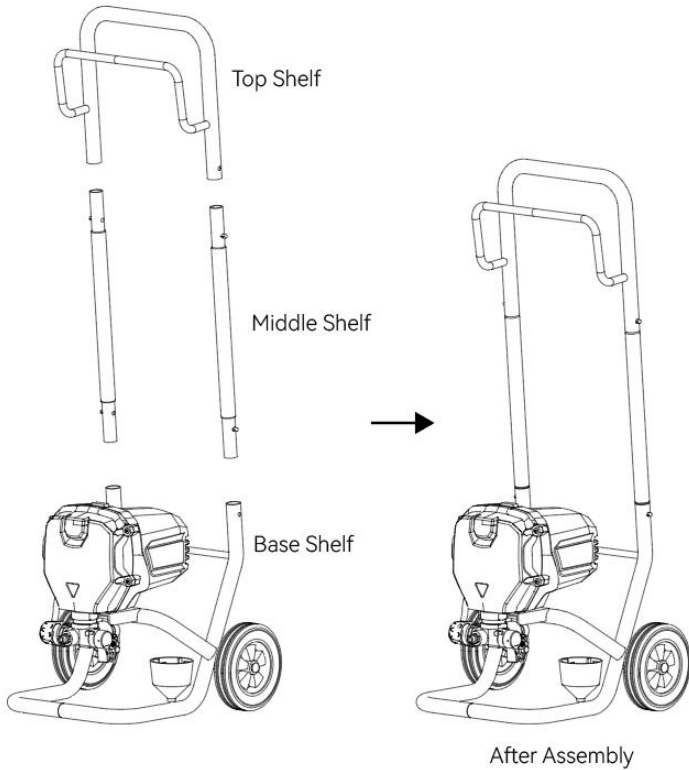
### PISTOLET PULVÉRISATEUR SANS AIR RP8626 & RP8626 PLUS



## 8626 PLUS

wheel installation





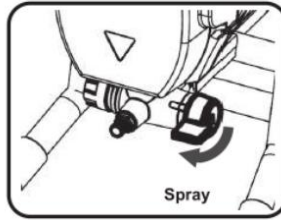
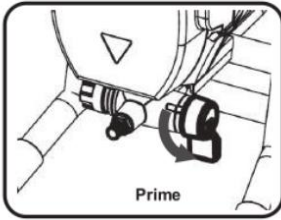
## OPÉRATION

### AVIS:

NETTOYER APRÈS UTILISATION POUR ÉVITER DES DOMMAGES PERMANENTS AU PULVÉRISATEUR. RETOURS NON ACCEPTÉS ET GARANTIE ANNULÉE SI LE PULVÉRISATEUR N'EST PAS CORRECTEMENT NETTOYÉ IMMÉDIATEMENT APRÈS CHAQUE UTILISATION.

### Commutateur d'amorçage/pulvérisation

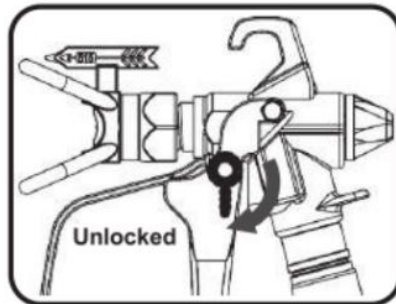
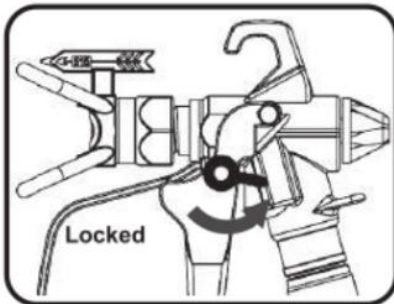
L'interrupteur d'amorçage/pulvérisation (F) fait basculer l'appareil entre les mode d'amorçage et la pulvérisation mode.



### **Verrouillage de la gâchette**

Le verrouillage de la gâchette (S) empêche déclenchement accidentel actionné, par exemple lorsque le pistolet est abandonné.

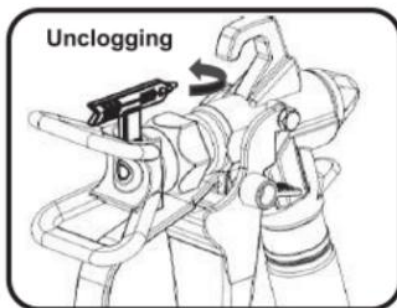
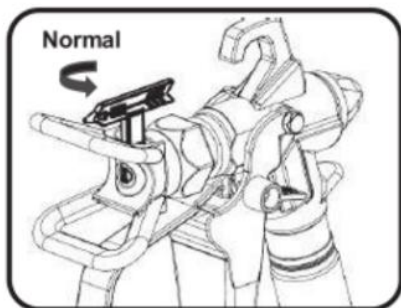
**TOUJOURS ENGAGER LE VERROUILLAGE DE LA GÂCHETTE LORSQUE LE PISTOLET PISTOLET N'EST PAS UTILISÉ.**



### **Buse de pulvérisation**

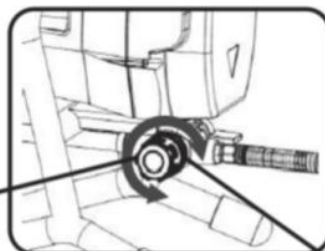
La buse de pulvérisation (P) est amovible et réversible pour réaliser nettoyage et débouchage plus faciles. Le fonctionnement normal se fait avec la flèche pointé vers l'extérieur et loin de le pistolet.

Déboucher la buse est fait en tournant la buse de pulvérisation Astuce pour que la flèche pointe vers l'intérieur vers le pistolet.



### **Bouton de contrôle de pression**

Le bouton de contrôle de pression (D) ajuste la pression de la peinture sortie au port de sortie (E). En tournant le bouton complètement vers la droite (dans le sens des aiguilles d'une montre), le débit de peinture est réglé à la pression maximale. pour pulvérisation haute pression. Tourner le bouton complètement vers la gauche (dans le sens inverse des aiguilles d'une montre) réduira le débit de peinture au minimum. pression. Alignez l'indicateur du bouton de contrôle de pression sur la fonction souhaitée comme indiqué sur l'étiquette (illustré ci-dessous)



High Pressure Spray

Low Pressure Spray

Prime/Clean

Roller

### **PROCÉDURE DE DÉCOMPRESSION**

**! WARNING**



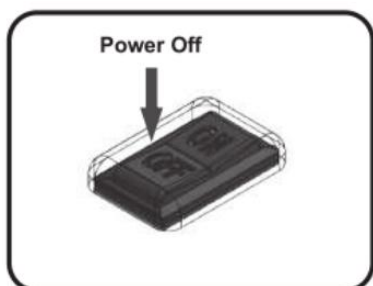
TOUJOURS SOULAGER LA PRESSION LORSQUE LA PULVÉRISATION

EST TERMINÉE ET AVANT LE NETTOYAGE, L'ENTRETIEN OU LE TRANSPORT.

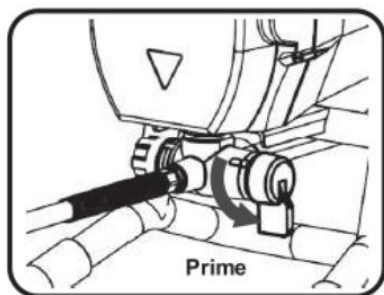


RISQUE D'INJECTION CUTANÉE. NE PAS VISER LE PISTOLET OU LE PULVÉRISATEUR SUR UNE PERSONNE OU UN ANIMAL. NE LE PLACEZ PAS DEVANT LA BUSE DE PULVÉRISATION.

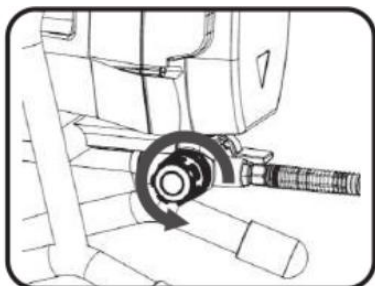
1. Placez l'interrupteur ON/OFF (B) sur la position OFF position et débranchez le cordon d' alimentation.



12. Tournez l'interrupteur Prime/Spray sur PRIME position.

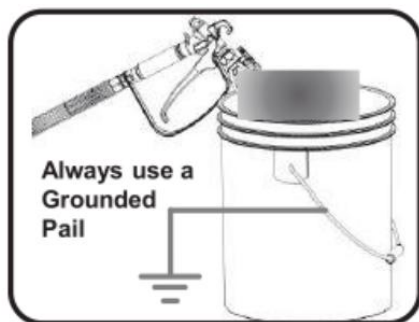


3. Réglez le bouton de contrôle de pression (D) sur le réglage de pression le plus bas (ROLL).

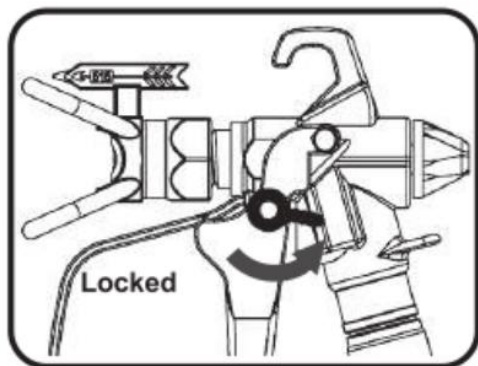


4. Lorsque vous utilisez un seau à déchets ou à solvant, assurez-vous que le seau est en métal et est correctement mis à la terre. Serrer une extrémité d'un fil de terre au seau, l'autre extrémité à une terre appropriée, comme une conduite d'eau en métal.

5. Dirigez le pistolet pulvérisateur vers les déchets mis à la terre ou seau de solvant tout en tenant toute partie métallique du pistolet fermement sur le côté du seau pour maintenir continuité de masse du pistolet et du seau, puis faire fonctionner la gâchette plusieurs fois jusqu'à ce que la pression dans la le tuyau a été déchargé



11. Engagez le verrouillage de la gâchette une fois que la pression a été soulagée.



7. Laissez l'interrupteur Prime/Spray en position Prime. jusqu'à ce que vous soyez prêt à pulvériser à nouveau.

8. Si vous pensez que la buse de pulvérisation ou le tuyau est bouché ou que la pression n'a pas été complètement relâchée après en suivant ces étapes, AVEC ATTENTION ET LENTEMENT desserrez l'écrou de retenue du protégé-embout ou

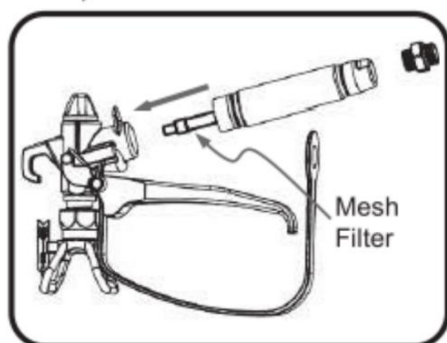


l'extrémité du tuyau raccord pour relâcher progressivement la pression, puis desserrer complètement avant d'essayer d'effacer toute obstruction.

## INSTALLATION

Les éléments entre parenthèses ( ) font référence à la fonctionnalité dessinée d'identification de la section précédente.

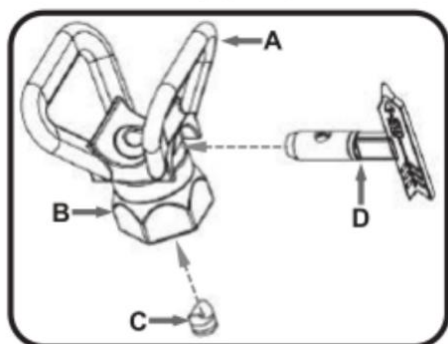
Remarque : Le pistolet pulvérisateur est livré assemblé à partir de l'usine. Si le pistolet a été démonté pour le nettoyage suivez les étapes ci-dessous pour remonter.



31. Insérez le filtre à mailles dans la poignée (T) et alignez la poignée avec le haut du corps du pistolet.

32. Tout en tenant le haut du corps du pistolet pulvérisateur, serrez la poignée (T) à l'aide d'une clé.

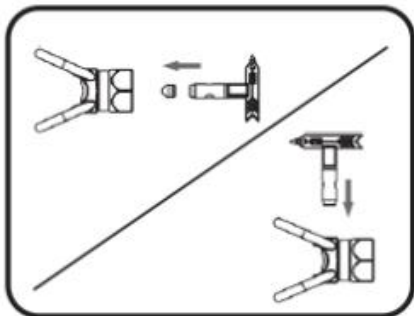
33. Placez le protège-poignée sur le trou du bas de la poignée, puis fixez-le en place à l'aide de l'adaptateur du port d'entrée du tuyau (V) et deux clés.



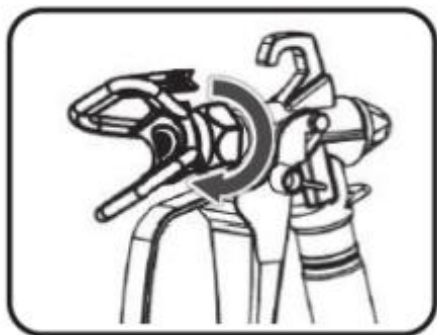
34. La pointe et la protection du pistolet se composent des éléments suivants  
Composants:

- A. Protection de la pointe de la buse
- B. Écrou de retenue du protège-embout de buse
- C. Siège métallique avec joint en caoutchouc
- D. Buse de pulvérisation

35. Utilisez l'embout de pulvérisation de la buse pour installer le siège métallique avec joint en caoutchouc dans la protection de l'embout de la buse.

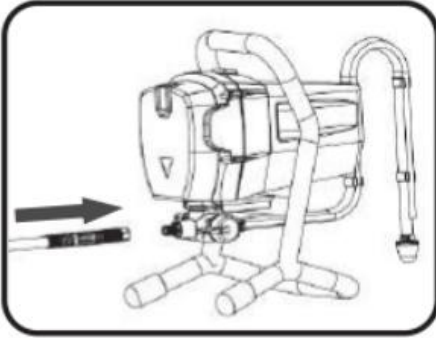


36. Installez l'embout de pulvérisation de la buse dans l'embout de la buse Garde.

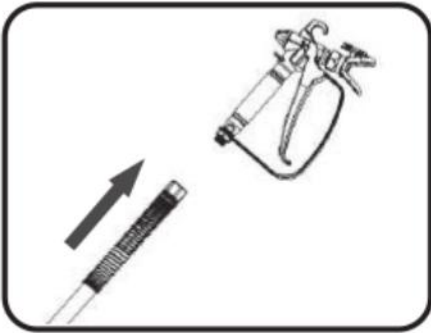


7. Vissez l'écrou de retenue du protège-embout de buse sur l'avant du corps supérieur du pistolet et serrez avec une clé.

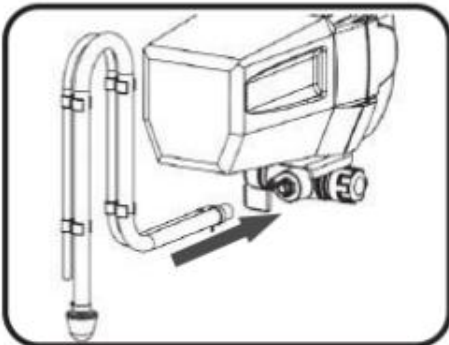
8. Avec l'appareil débranché, déroulez et connectez le Tuyau de peinture haute pression (M) vers le port de sortie (E). Utilisez une clé pour serrer correctement le raccord.



14. Connectez l'autre extrémité de la peinture haute pression Tuyau (M) vers le port d'entrée du pistolet (V) sur le pulvérisateur Poignée du pistolet (T). Utilisez une paire de clés pour serrer correctement le raccord

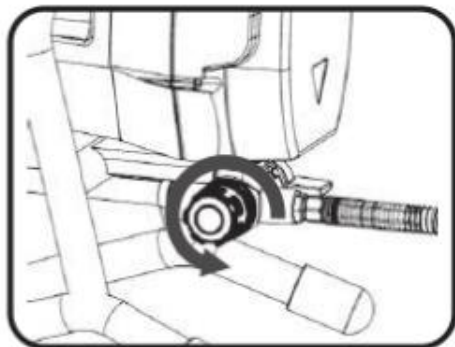


10. Connectez le tube d'aspiration (J) et la sortie d'amorce Tube (H) à l'arrière du boîtier de vanne, puis installez le tamis d'entrée (K). Fixer en place à l'aide les colliers de serrage fournis.

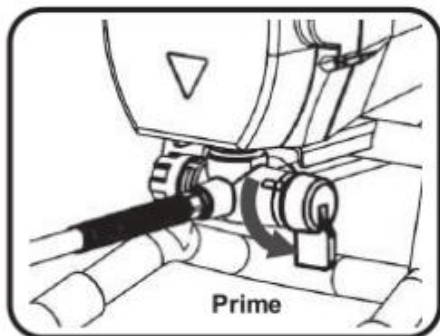


11. Réglez le bouton de contrôle de pression (D) sur Position

d'amorçage/nettoyage.



1 2 . Placez l'interrupteur de pulvérisation/amorçage (F) sur le bouton d'amorçage. Position.



### **AMORCER ET RINCER**

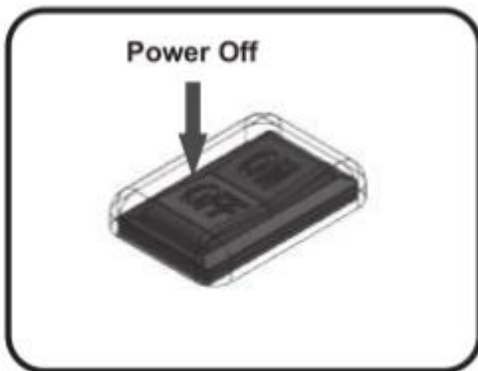
Avant chaque utilisation, le pulvérisateur doit être amorcé et rincé pour éliminer le liquide de stockage du pulvérisateur. Suivez ces directives lors de l' amorçage et du rinçage :

- Utilisez de l'eau pour rincer soigneusement le système si vous pulvérisez des produits à base d'eau.
- Utilisez un solvant de rinçage à base d'huile ou de l'essence minérale compatible pour rincer soigneusement le système si vous pulvérisez des matériaux à base d'huile.
- Si vous passez d' une pulvérisation à base d' huile à une pulvérisation à base d' eau, rincez d' abord soigneusement le système avec de l' eau. L'eau qui

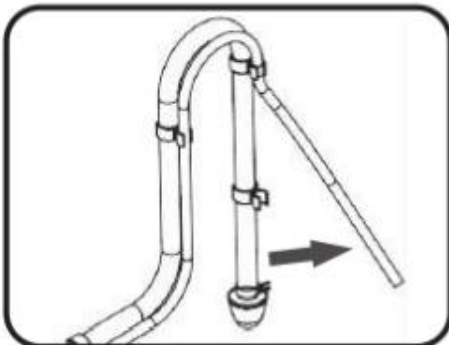
s'écoule du tube de sortie de l'apprêt (H) doit être claire et exempte de tout solvant avant de commencer à pulvériser le matériau à base d'eau. Si vous passez d'une pulvérisation à base d'eau à une pulvérisation à base d'huile, rincez d'abord soigneusement le système avec un solvant de rinçage à base d'huile ou de l'essence minérale compatible. Le solvant s'écoulant du tube de sortie de l'amorce (H) ne doit pas contenir d'eau.

- Utilisez toujours un seau à déchets métalliques ou à solvant mis à la terre.
- Voir la section Sécurité électrique.
- Dirigez toujours le pistolet vers la paroi intérieure du seau à déchets ou à solvant pour éviter les éclaboussures de liquide sur votre peau ou dans vos yeux.

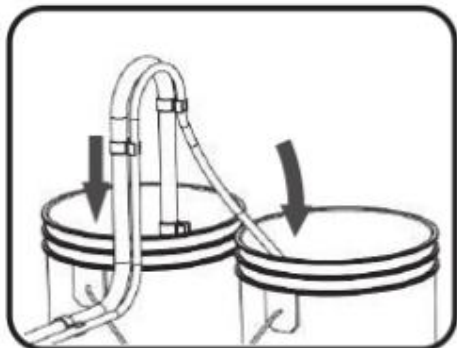
11. Mettez l'interrupteur marche/arrêt (B) sur OFF positionner et débrancher le pulvérisateur.



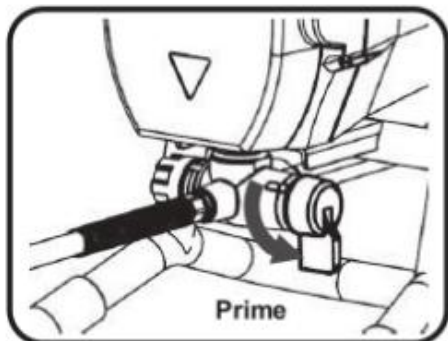
12. Séparez le tube de sortie de l'amorce (H) du le Tube d'aspiration (J).



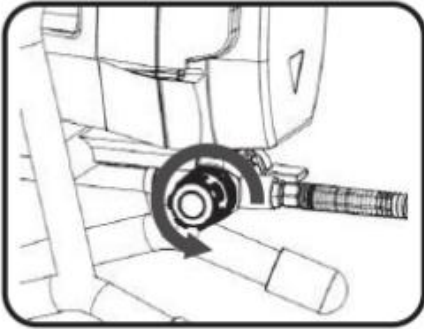
3. Placez le tube de sortie d'amorce (H) dans un seau à déchets/solvant mis à la terre et insérez le tube d'aspiration (J) avec le tamis d'entrée (K) dans un seau contenant de l'eau ou un solvant de rinçage (déterminé selon les lignes directrices discutées ci-dessus).



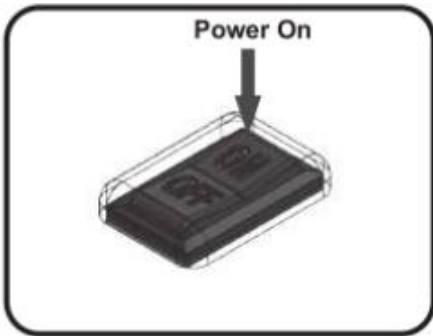
4. Vérifiez que l'interrupteur de pulvérisation/amorçage (F) est en position Position privilégiée.



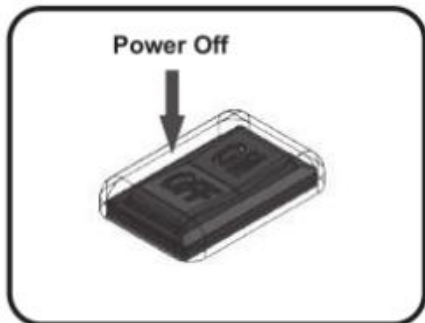
5 . Réglez le bouton de contrôle de pression (D) sur Position d'amorçage/nettoyage.



6 . Branchez le pulvérisateur dans une prise mise à la terre et allumez l'interrupteur marche/arrêt (B) sur la position ON.

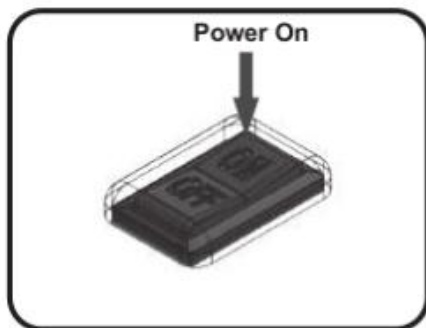
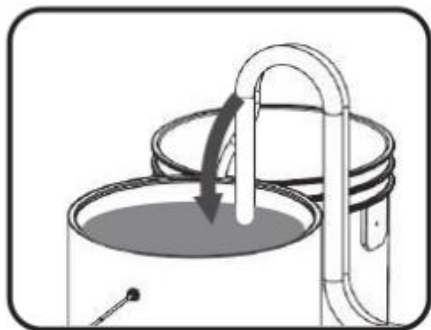


7. Le pulvérisateur commencera à pomper de l'eau ou à rincer solvant. L'air et l'huile de stockage seront purgés du système. Laissez les liquides continuer à être déchargé du tube de sortie d'amorce (H) pendant 30 à 60 secondes, puis allumez/éteignez l'appareil Mettez l'interrupteur (B) en position OFF.



8. Retirez le tube d'aspiration (J) et la crépine d'entrée (K) du seau contenant de l'eau ou du solvant de rinçage (étape 3) et insérez-les dans le récipient qui

contient le peinture que vous utiliserez.

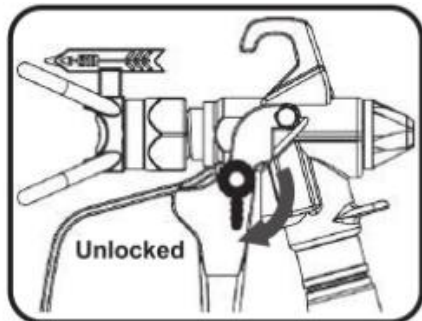


9. Allumez l'interrupteur d'alimentation marche/arrêt (B).

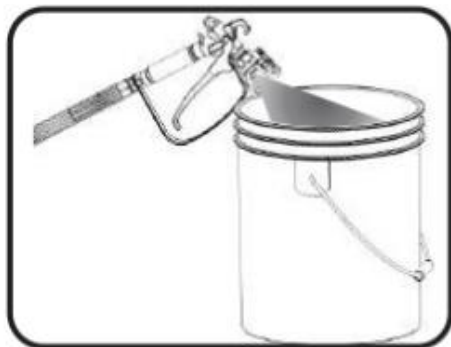
10. La peinture commencera à être pompée à travers le système d'aspiration Tube (J) et commencera à être déchargé à travers le tube de sortie de l'amorce (H) et dans le seau à déchets/solvant.

11. Tenez le pistolet pulvérisateur pointé vers et contre le seau à déchets/solvant.

12. Déverrouillez le verrou de la gâchette.

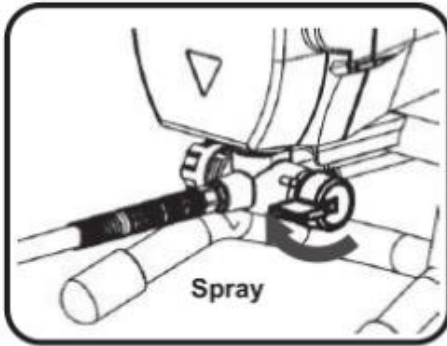


18. Tirez et maintenez la gâchette.



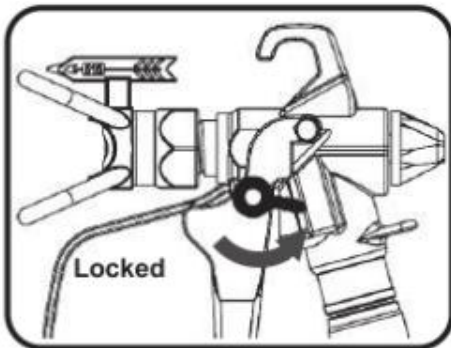


14. Tournez l'interrupteur Spray / Prime (F) sur Spray position.

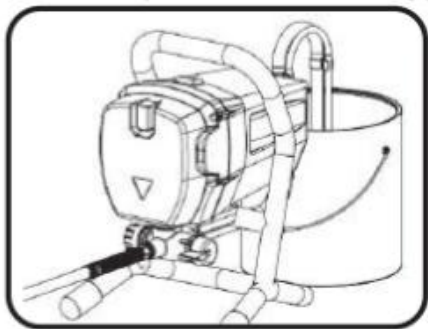


15. Continuez à maintenir la gâchette tout en pointant le pistolet dans le seau à déchets/solvant jusqu'à ce que seule la peinture soit sortant du pistolet.

16. Relâchez la gâchette et engagez le verrouillage de la gâchette



22. Déplacez le tube de sortie d'apprêt (H) vers la peinture récipient et fixez-le au tube d'aspiration (J).

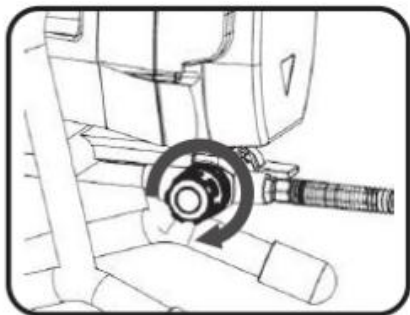


AVIS : Le moteur s'arrêtera, ce qui indique que la pompe et le tuyau sont apprêtés avec de la peinture et sous pression. Si \_ le moteur continue de tourner, le pulvérisateur ne fonctionne pas

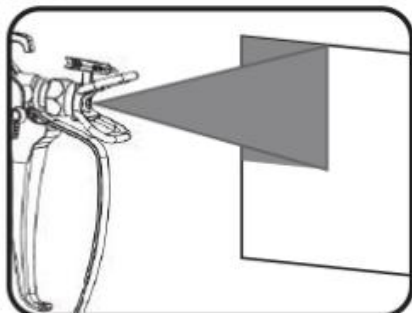
Correctement amorcé. Pour réamorcer, tournez l'interrupteur Spray / Prime (F) sur la position Prime et répétez toutes les étapes commençant à l'étape 9.

### **PEINTURE**

26. Réglez le bouton de contrôle de pression (D) sur une pression moyenne-haute.



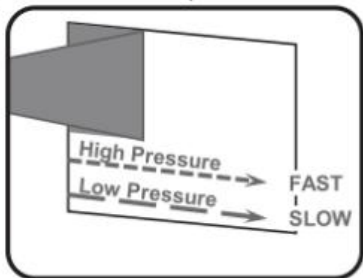
27. Testez ce réglage de pression sur un morceau de matériel.



28. Ajustez le bouton de contrôle de pression (D) jusqu'à ce qu'un consistance

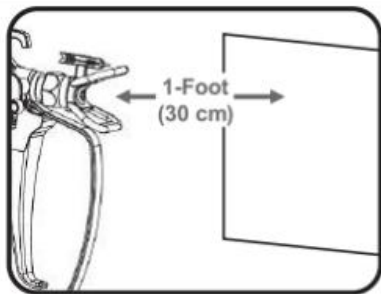
lisse et uniforme est accompli.

29. Sur un morceau de ferraille, vaporisez un test patch et évalue la vitesse de course requise pour le réglage de la pression. Une pression plus faible nécessitent une vitesse plus lente et une pression plus élevée nécessitent une vitesse de course plus rapide.

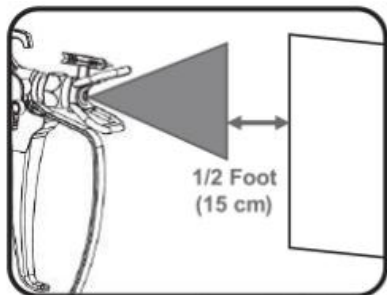


REMARQUE : La qualité de la surface à peindre dépendra ont un grand effet sur le résultat de la pulvérisation. La surface à peindre doit être correctement préparé avant commence à pulvériser.

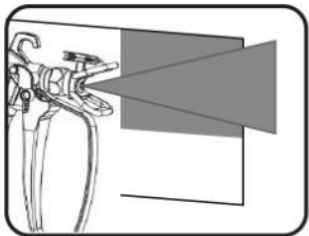
## TECHNIQUE DE PULVÉRISATION



6. Maintenez une distance d'environ 1 pied (30 cm) la surface à pulvériser.

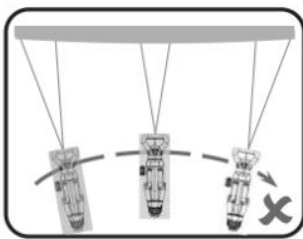
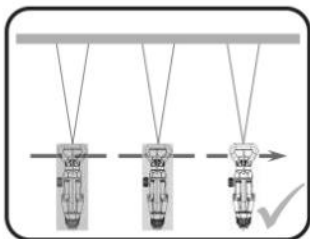


2. Commencez le mouvement de la course avant d'appuyer sur la gâchette et commencez à environ 15 cm du bord de la zone pulvérisée.

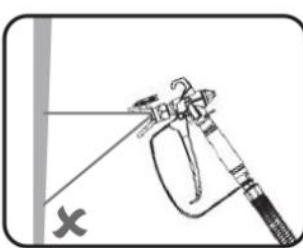
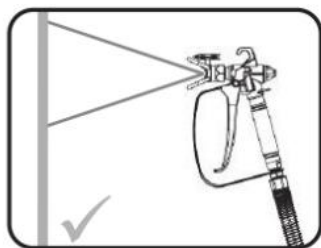


3. Relâchez la gâchette une fois passé le bord opposé de la surface à pulvériser.

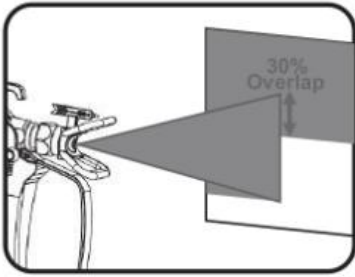
4. Déplacez le pistolet avec tout le bras sans fléchir votre poignet pour assurer une pulvérisation uniforme.



30. Gardez le pistolet pulvérisateur à angle droit par rapport à la surface. étant peint.



6. Superposez chaque trait de 30 % pour garantir une couverture uniforme.

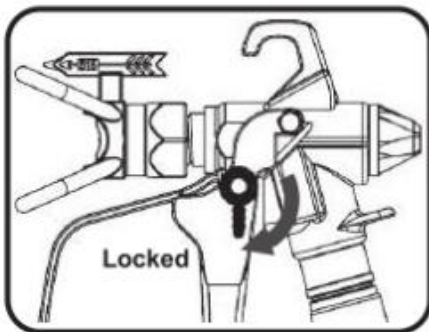


#### Autres conseils utiles

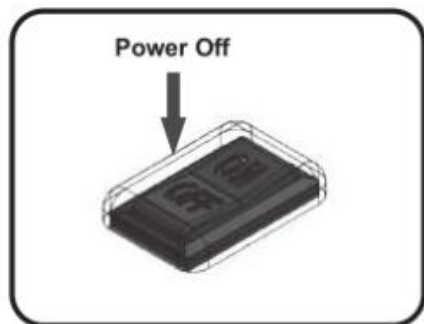
- La pulvérisation à l'extérieur par temps venteux peut entraîner mauvais résultats. Attendez qu'il n'y ait plus de vent et que le la météo est satisfaisante.
- Appliquer une couche à la fois et laisser sécher complètement avant d'ajouter une autre couche.
- Évitez de vous arrêter et de démarrer, ce qui entraînerait un finition inégale. Commencez par un bord d'une surface et terminer juste après le bord opposé. Évitez de vous arrêter au milieu d'une surface, ce qui pourrait donner lieu à une finition inégale .

### **DÉBOUCHAGE DE LA BUSE DE PULVÉRISATION**

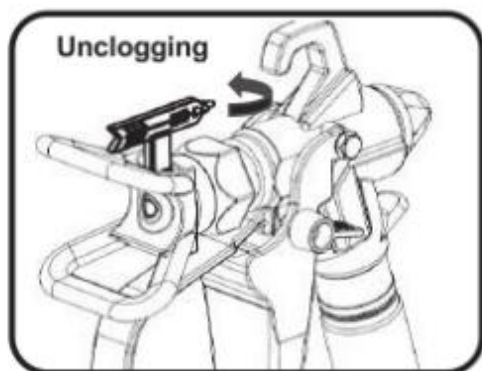
- La buse de pulvérisation (P) peut occasionnellement devenir obstrué par de la peinture. Suivez ces instructions pour effacer un Buse bouchée Buse de pulvérisation :
1. Relâchez la gâchette et engagez le verrouillage de la gâchette ( S ).



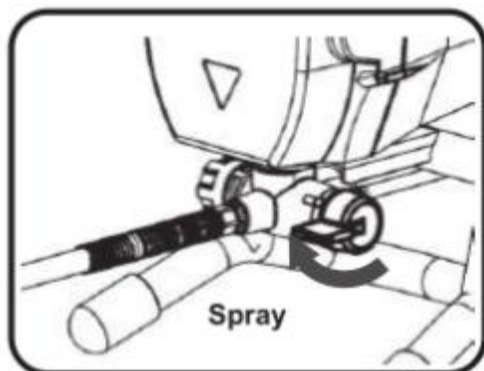
2. Placez l'interrupteur marche/arrêt (B) sur la position OFF position et débranchez le cordon d' alimentation.



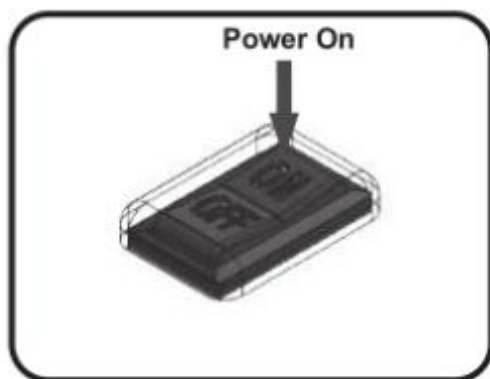
3. Faites pivoter la buse de pulvérisation (P) de manière à ce que la flèche pointe vers l'arrière du pistolet.



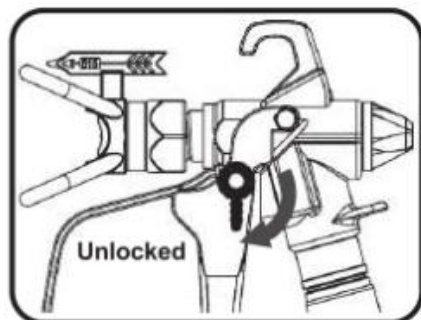
4. Tournez l'interrupteur de pulvérisation/amorçage (F) sur la position pulvérisation.



5. Placez l'interrupteur marche/arrêt (B) sur la position ON.

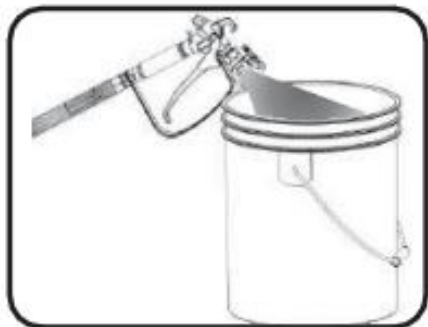


6. Désengagez le verrouillage de la gâchette (S).

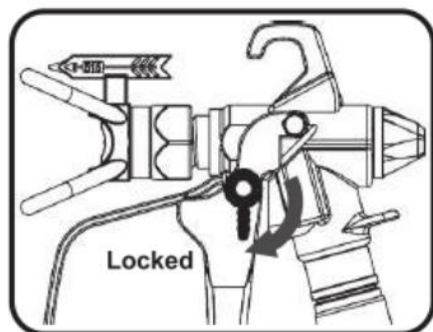


7. Pointez le pistolet pulvérisateur vers un seau à déchets ou à solvant mis à la terre tout en maintenant fermement toute partie métallique du pistolet

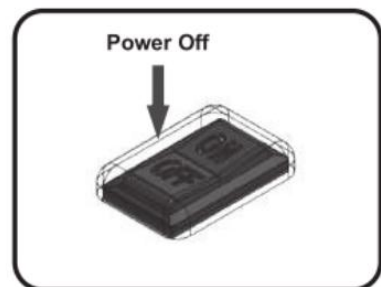
pulvérisateur sur le côté du seau pour maintenir la continuité de la masse du pistolet et du seau, puis actionnez la gâchette plusieurs fois pour éliminer le bouchon.



8. Relâchez la gâchette et engagez le(s) verrouillage(s) de la gâchette.



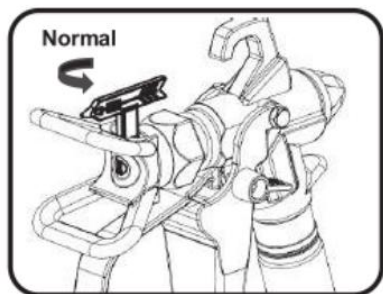
9. Placez l'interrupteur ON/OFF (B) en position OFF et débranchez le cordon d'alimentation.



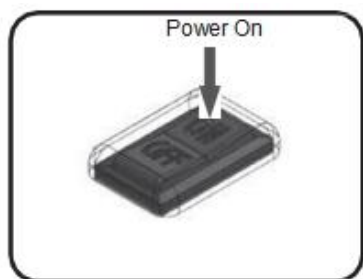
10. Faites pivoter la buse de pulvérisation (P) de manière à ce que la flèche pointe



vers l'avant du pistolet.



11. Placez l'interrupteur marche/arrêt (B) sur la position ON.



## **NETTOYAGE**

### **AVIS**

**FAIRE LE MÉNAGE APRÈS UTILISER À PRÉVENIR PERMANENT DOMMAGE À LE PULVÉRISATEUR.**

**RETOURS PAS ACCEPTÉ & GARANTIE VIDE SI PULVÉRISATEUR EST PAS CORRECTEMENT NETTOYÉ IMMÉDIATEMENT APRÈS CHAQUE UTILISATION.**

### **UTILISER LE LIQUIDE DE NETTOYAGE CORRECT**

Si la la peinture étant utilisé était eau à base (acrylique peinture), utiliser SEULEMENT EAU quand effectuer le nettoyage procédure.

**REMARQUE**• UTILISATION À BASE DE SOLVANT LIQUIDE NETTOYANT SUR À BASE D'EAU DES PEINTURES VOLONTÉ RÉSULTAT DANS UN SUBSTANCE QUE VOLONTÉ ÊTRE EXTRÊMEMENT DIFFICILE À FAIRE LE MÉNAGE.

Si le peinture ou enrobage matériel être utilisé était à base d'huile (émail peinture, laque, etc.), reportez-vous à le enrobage matériaux étiquette ou FDS à déterminer quoi

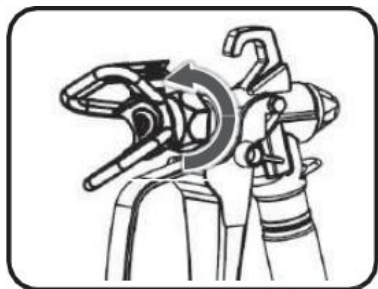
solvant à utiliser. Ces à base de solvant nettoyage fluides sont sûrs à utiliser dans le sans air pulvérisateur:

- Minéral Essence de térébenthine
- Peinture Plus mince

## **NETTOYER LE PULVÉRISATEUR**

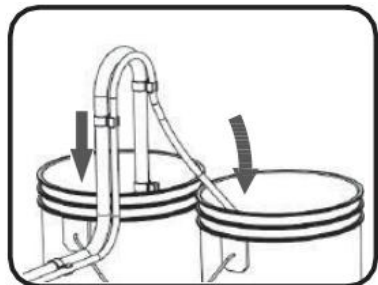
1. Commencez à nettoyer le pulvérisateur IMMÉDIATEMENT après utilisation en suivant la PROCÉDURE DE DÉCOMPRESSION au point 9.

2. Utilisez une clé pour retirer le protège-embout de buse (Q) et l'embout de pulvérisation de buse (P) du pistolet et placez-le dans le liquide de nettoyage.

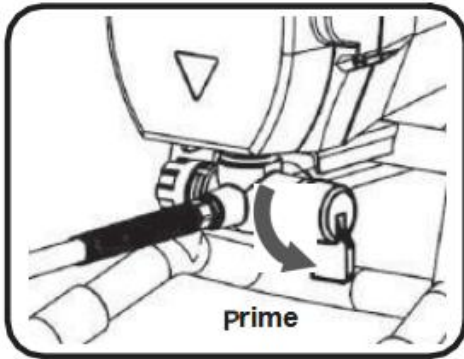


3. Séparez le tube de sortie de l'amorce (H) du tube d'aspiration (J). Placez le tube de sortie de l'amorce

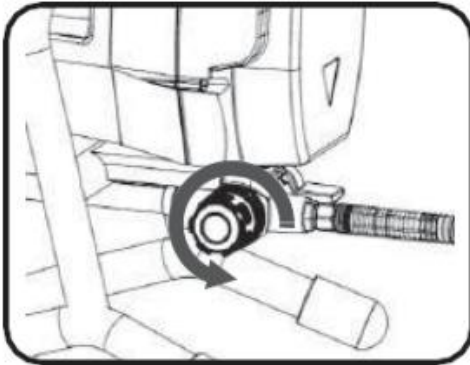
(H) dans un seau à déchets et le tube d'aspiration avec tamis d'entrée (K) dans un seau contenant de l'eau ou un solvant de rinçage (lire la section intitulée UTILISER LE LIQUIDE DE NETTOYAGE CORRECT discuté ci-dessus) .



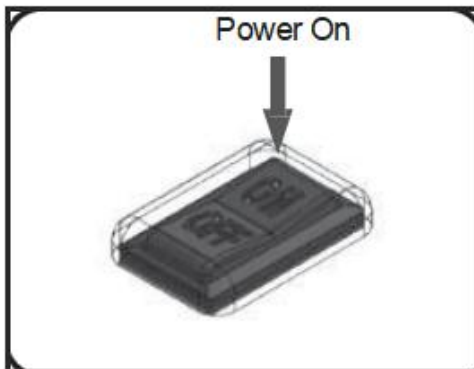
4. Vérifiez que l'interrupteur de pulvérisation/amorçage (F) est en position d'amorçage.



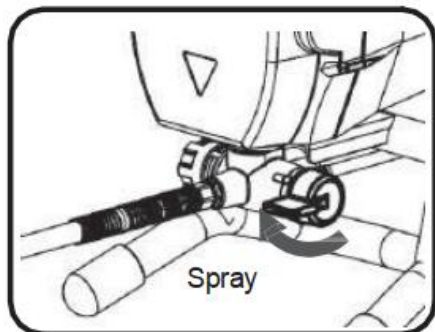
5. Réglez le bouton de contrôle de pression (D) sur la position Amorçage/Nettoyage.



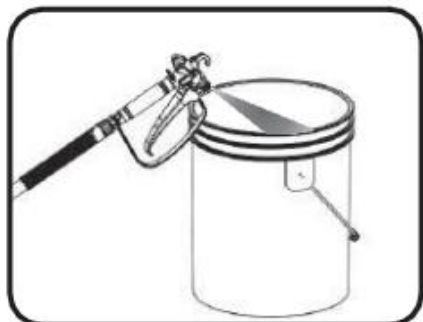
6. Placez l'interrupteur marche/arrêt (B) sur la position ON.



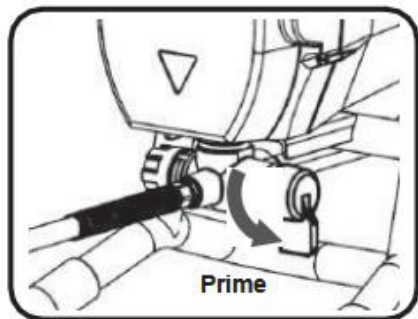
7. Une fois qu'un flux constant de liquide de nettoyage s'écoule du tube de sortie d'amorce (H), tournez l'interrupteur de pulvérisation/amorçage (F) sur la position Pulvérisation.



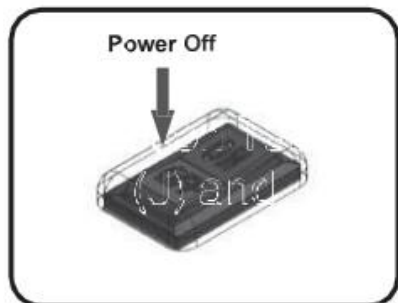
8. Pointez le pistolet pulvérisateur dans le seau à déchets tout en maintenant fermement toute partie métallique du pistolet pulvérisateur sur le côté du seau pour maintenir la continuité de terre du pistolet et du seau, puis actionnez la gâchette jusqu'à ce que le seul liquide sortant du pistolet soit du liquide de nettoyage. .



9. Mettez l'interrupteur de pulvérisation/amorçage (F) en position d'amorçage, puis répétez les étapes 7 et 8 jusqu'à ce que seul le liquide de nettoyage sorte du pulvérisateur.



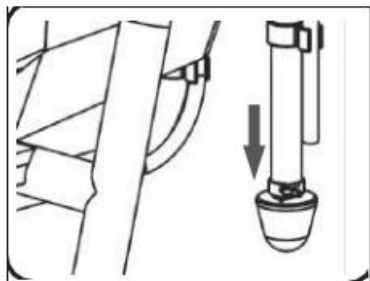
10. Placez l'interrupteur ON/OFF (B) en position OFF et débranchez le cordon d'alimentation.



## **NETTOYAGE DU TUYAU D'ARRIVÉE**

6. Retirez la grille (K) du tube d'aspiration (J) en desserrant le collier de serrage et en l'éloignant du filtre.

2. Retirez le tamis d'entrée (K) et rincez-le avec le liquide de nettoyage approprié.

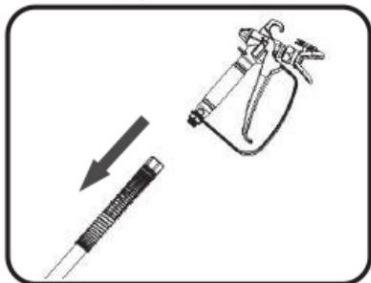


3. Si le tamis d'entrée (K) ne peut pas être nettoyé, remplacez-le par un nouveau tamis d'entrée.

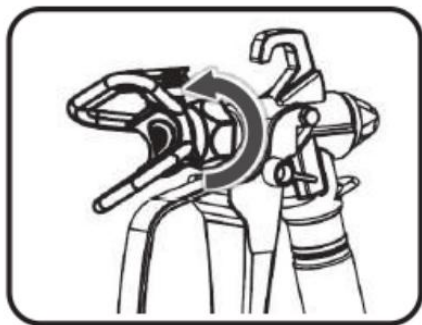
## **NETTOYER LE PISTOLET PULVÉRISATEUR**

1. Suivez la PROCÉDURE DE DÉCOMPRESSION au point 9.

2. Utilisez une paire de clés et retirez le tuyau haute pression (M) du pistolet pulvérisateur.

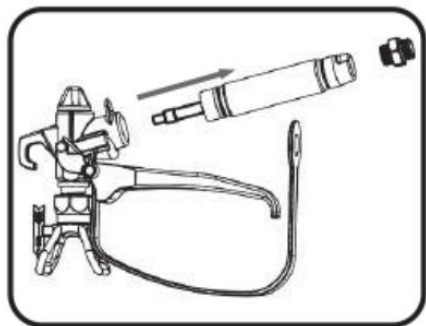


3. Utilisez une clé pour retirer le protège-embout de buse (Q) et l'embout de pulvérisation de buse (P) du pistolet et placez-le dans le liquide de nettoyage.



4. Utilisez une paire de clés et retirez l'orifice d'entrée (V) du pistolet.

5. Éloignez le protège-poignée et utilisez une clé pour retirer la poignée (T) du haut du corps du pistolet pulvérisateur.

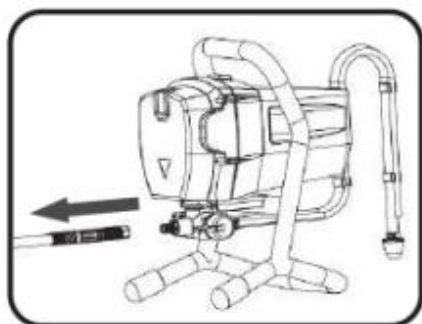


6. Retirez le filtre à mailles de l'intérieur de la poignée (T) et placez-le dans le liquide de nettoyage.
7. Utilisez une brosse douce pour nettoyer tous les composants contenus dans le liquide de nettoyage.
8. Une fois le nettoyage terminé, remontez le pistolet pulvérisateur.

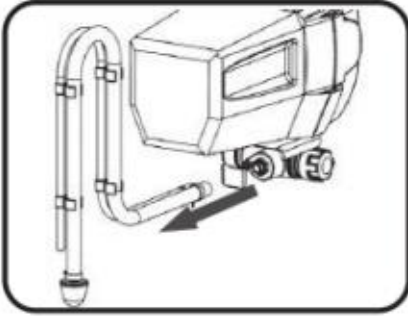
## **STOCKAGE DU PULVÉRISATEUR**

Il est très important que le pulvérisateur ne soit PAS stocké avec de l'eau ou des matériaux à base d'eau à l'intérieur de la pompe, du tuyau, des tubes ou du pistolet pulvérisateur. L'eau restant à l'intérieur de ces articles provoquera de la corrosion et les endommagera. Suivez ces procédures pour stocker le pulvérisateur.

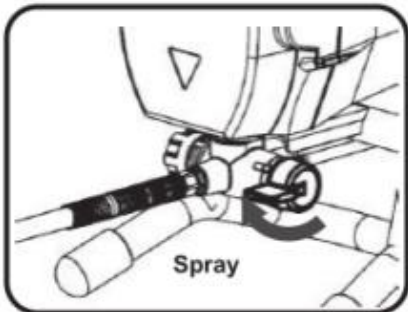
21. Avant de ranger le pulvérisateur, suivez les étapes de nettoyage du pulvérisateur et du pistolet pulvérisateur.



22. Retirez le tuyau haute pression du pulvérisateur.



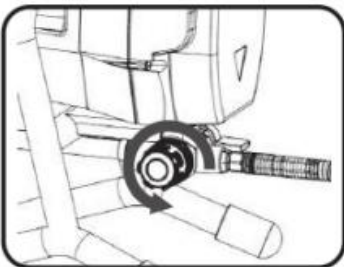
23. Retirez le tube de sortie de l'amorce (H) et le tube d'aspiration (J) avec la crépine d'entrée (K) de la pompe.



24. Avec le pulvérisateur retourné, ajoutez une once (30 ml) d'huile de machine légère polyvalente telle que de l'huile de machine à coudre ou de l'huile ISO 22 au tube d'aspiration (J) et au tube de sortie d'amorce (H).

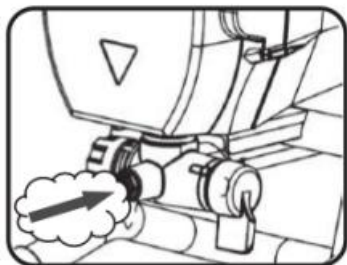
5. Réglez l'interrupteur de pulvérisation/amorçage (F) sur la position de pulvérisation.

6. Réglez le bouton de contrôle de pression (D) sur la position de pulvérisation faible.



7. Utilisez un chiffon pour couvrir le port de sortie (E).





8. Placez l'interrupteur marche/arrêt (B) sur la position ON pendant CINQ SECONDES, puis placez l'interrupteur marche/arrêt (B) sur la position OFF.



9. Réglez l'interrupteur de pulvérisation/amorçage (F) sur la position d'amorçage pour garantir que l'huile reste dans le système pendant son stockage.

10. Remettez en place le tube de sortie de l'amorce (H) et le tube d'aspiration (J) sur la pompe.


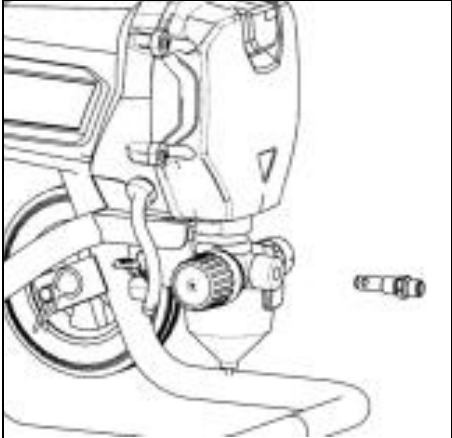

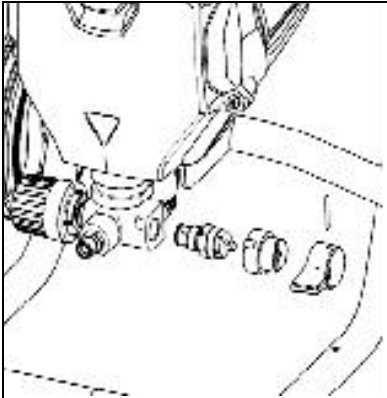
11. Essuyez le pulvérisateur avec un chiffon propre et rangez-le hors de portée des enfants.

### **Conseils de pulvérisation**

Nettoyez toujours les pointes avec un liquide de nettoyage et une brosse compatibles après pulvérisation. Les embouts peuvent nécessiter un remplacement après 15 gallons (57 litres) ou ils peuvent durer jusqu'à 60 gallons (227 litres) en fonction de l'abrasivité de la peinture.

Liste des pièces de rechange

ARTICLE	Partie	Comment affiner les pièces
---------	--------	----------------------------

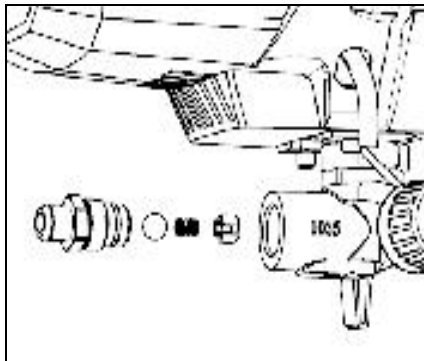
<p>1</p>	<p>Ensemble soupape de décha</p> 	<p>Utilisez une clé pour dévisser l'ensemble de la soupape de décharge</p> 
<p>2</p>	<p>Ensemble soupape de</p> 	<p>Retirez la goupille cylindrique, retirez le bouton de l'interrupteur et le siège de l'interrupteur, puis utilisez une clé à molette pour dévisser l'ensemble de soupape de surpression.</p> 

3

Ensemble de vanne d'alimentation



Retirez l'ensemble de tuyau d'alimentation connecté, puis dévissez le bouchon de la vis d'alimentation avec la clé à molette et retirez la bille d'acier de la vanne d'alimentation, le ressort d'alimentation et le siège du ressort d'alimentation.

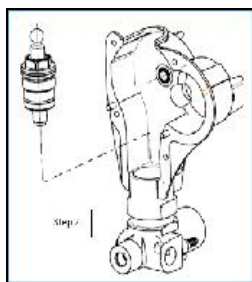
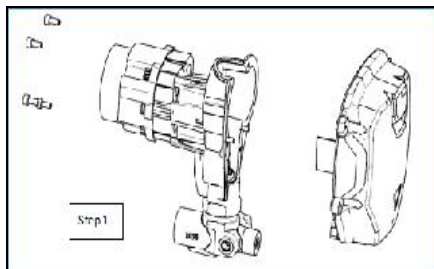


4

### Ensemble piston



1. Utilisez la clé hexagonale du côté opposé 5 pour dévisser les 4 vis hexagonales afin de séparer le corps de la pompe et le couvercle de la pompe.
2. Utilisez le manchon d'extension du côté opposé 22 pour retirer l'ensemble piston.



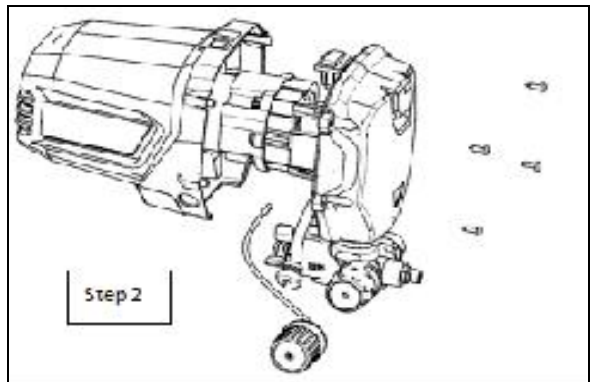
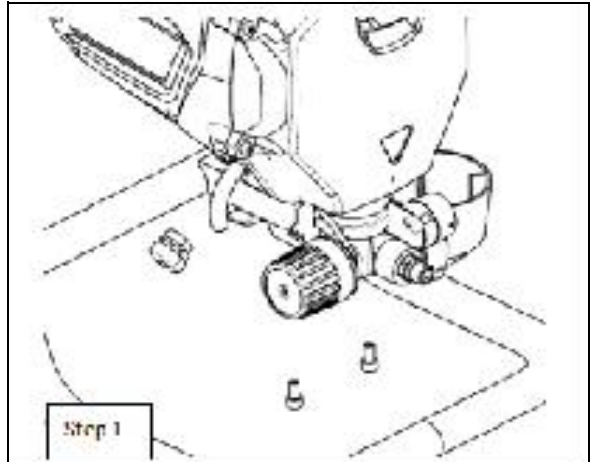
5

Ensemble  
soupape de  
surpression



6. Retirez le cordon d'alimentation sans le retirer, dévissez les deux vis en bas et retirez la tête de pompe du cadre.

2. Dévissez les quatre vis autotaraudeuses sur le couvercle de la pompe et séparez le boîtier arrière et le couvercle de la pompe. Débranchez le câble de la valve du régulateur de pression. Faites tourner la soupape de régulation de pression dans le sens inverse des aiguilles d'une montre pour exposer la surface de la baïonnette et utilisez une clé à molette pour dévisser l'ensemble de soupape de surpression.



## **Compatibilité des matériaux - Matériaux et peintures pouvant être utilisés**

**MATÉRIAU À BASE D'EAU** : Tous les pulvérisateurs PEUVENT être utilisés avec des matériaux intérieurs et extérieurs à base d'eau. Avant de pulvériser des matériaux à base d'eau, rincez votre pulvérisateur avec de l'eau.

Exemple : laque à bois, latex, teintures...

**MATÉRIAU À BASE D'HUILE** : Tous les pulvérisateurs PEUVENT être utilisés avec des matériaux intérieurs et extérieurs à base d'huile. L'étiquette du matériau indique COMBUSTIBLE et qu'il peut être nettoyé avec de l'essence minérale ou un diluant à peinture. Avant de pulvériser des matériaux à base d'huile, rincez votre pulvérisateur avec de l'essence minérale.

Exemple : Acrylique, Peinture décorative...

## **Compatibilité des matériaux - Matériaux et peintures non utilisables**

### **MATÉRIAU INFLAMMABLE À BASE DE SOLVANT**

**MATÉRIAUX TROP ÉPAIS** - nécessite un pulvérisateur commercial sans air ou texturé plus grand

- Restauration de terrasse et de béton
- Élastomère
- Revêtement de toiture – scellant, peinture ou apprêt
- Epoxy pour béton ou matériau mono- ou bi-composant à séchage rapide
- Matériau à deux composants tel qu'un primaire d'adhérence, une peinture pour sol de garage
- Scellant pour allée
- Matériau texturé ou rempli de sable
- Plâtre
- Matériaux comprenant du calcaire, du verre, de l'argile et du quartz tels que la maçonnerie spécialisée, le stuc et la peinture pour brique
- Peinture métallisée
- Peinture ou apprêt magnétique

### **MATIÈRES DANGEREUSES**

- Décapant pour peinture et teinture

- Eau de Javel ou tout autre matériau contenant de l'eau de Javel
- Herbicides
- Insecticide ou pesticide
- Désinfectant

## **ENTRETIEN ET RÉPARATION**

### **MAINTENANCE QUOTIDIENNE**

La durée de vie des équipements est directement liée à la qualité de la maintenance. Suivez ces directives pour garantir une longue durée de vie de l'équipement.

Suivez toujours la procédure de nettoyage immédiatement après utilisation. La peinture ou l'eau laissée dans l'équipement provoquera des blocages ou de la corrosion qui empêcheront l'appareil de fonctionner.

Utilisez la procédure de décompression lors de l'arrêt, du réglage, de l'entretien ou de la réparation.

Assurez-vous que vous ou un autre opérateur avez lu et compris ce manuel avant d'utiliser l'équipement.

Enroulez le tuyau haute pression après le nettoyage pour éviter tout dommage.

Ajoutez périodiquement de l'huile de machine légère polyvalente telle que de l'huile pour machine à coudre ou de l'huile ISO 22 au pulvérisateur, comme décrit dans la section intitulée Stockage du pulvérisateur, s'il est stocké pendant une longue période.

### **RÉPARATION**

•Faites réparer votre outil électrique par un réparateur qualifié en utilisant uniquement des pièces de rechange identiques. Cela garantira que la sécurité de l'outil électrique est maintenue.

•Gardez toutes les vis, écrous, rondelles, joints et raccords électriques retirés pendant la réparation. Ces pièces ne sont généralement pas fournies avec les kits de remplacement.

• Consultez la section intitulée Dépannage pour vous aider à identifier tout problème.

•Ne faites pas fonctionner le pulvérisateur sans le carénage du moteur en place.

Remplacez-le s'il est endommagé. Le carénage du moteur dirige l'air de refroidissement autour du moteur pour éviter toute surchauffe et isole le tableau

de commande pour éviter les chocs accidentels.

### **CAUTION**

- Do not run the sprayer dry for more than 30 seconds. Doing so could damage the pump packing **seals**.
- Protect the internal drive parts of the sprayer from water. Openings in the cover allow for air cooling of both the mechanical parts and electronics. If water enters these openings, the sprayer may malfunction or be permanently damaged.
- Prevent corrosion or freezing of the pump to avoid damage. Fluids that freeze within the sprayer or High-Pressure hose will cause permanent damage. Always store the sprayer with a multi-purpose light machine oil such as sewing machine oil or ISO 22 oil added to the sprayer pump as described in the section titled Storing the Sprayer.

## **SÉLECTION DES BUSES DE PULVÉRISATION**

Les buses de pulvérisation sont numérotées de manière à :

### **SÉLECTION DES BUSES DE PULVÉRISATION**

- Le premier chiffre, multiplié par deux, donne la largeur de pulvérisation en pouces (avec la buse de pulvérisation à 1 pied (30 cm) de la surface pulvérisée).
- Les deux derniers chiffres précisent la taille de l'orifice en milliers de pouces (Remarque : un orifice plus grand augmente le débit de peinture).
- Les tailles d'orifice de buse de pulvérisation recommandées pour différents types de matériaux de revêtement sont les suivantes : Laque et teinture : 0,007 po à 0,013 po Émail : 0,011 po à 0,015 po Acrylique : 0,015 po à 0,021 po



## BUSE VAPORISATEUR CONSEIL SÉLECTION GRAPHIQUE

Orifice Taille (Pouces)

	Orifice Taille (Pouces)															
	0,007"	0,009"	0,011"	0,013"	0,015"	0,017"	0,019"	0,021"	0,023"	0,025"	0,027"	0,029"	0,031"	0,033"	0,035"	
Vaporisateur Largeur (Pouces)	2-4	107	109	111	113	115	117	119	121				129			
	4-6 _		209	211	213	215	217	219	221		225	227	229	231		235
	6-8 _	307	309	311	313	315	317	319	321	323	325	327	329	331	333	335
	8-10 _		409	411	413	415	417	419	421	423	425	427	429	431	433	435
	10-12 _		509	511	513	515	517	519	521	523	525	527	529	531	533	535
	12-14 _		609	611	613	615	617	619	621	623	625	627	629	631	633	635
	14-16 _			711	713	715	717	719	721	723	725	727	729	731	733	735
	16-18 _				813	815	817	819	821	823	825	827	829	831	833	835
	18-20 _									923		927		931	933	935

## DÉPANNAGE

Problème	Cause	Solution
Pouvoir changer est sur, et pulvérisateur est branché dans, mais moteur fait pas courir et pomper ne fait pas de vélo.	Pression Contrôle Bouton est ensemble à pression nulle.	Tourner Pression Contrôle Bouton dans le sens des aiguilles d'une montre à augmenter le réglage de la pression.
	Moteur ou contrôle est endommagé.	Avoir le pulvérisateur desservi par un qualifié réparateur.
	Électrique sortie est pas fournir pouvoir.	Essayez un point de vente différent ou tester le sortie avec un autre appareil ou un circuit testeur. Réinitialiser le circuit disjoncteur ou remplace le fusible.
	Extension corde est endommagé.	Remplacer le rallonge électrique.
	Pulvérisateur électrique corde est	Débrancher le cordon de pulvérisation et vérifier pour isolation cassée ou fils. Remplacer si endommagé.

	endommagé.	
	Peinture et/ou eau est congelé ou s'est durci dans la pompe.	<p>Débranchez le pulvérisateur de la prise. Si gelé, n'essayez pas de démarrer le pulvérisateur jusqu'à il est complètement décongelé ou le moteur, le tableau de commande et/ou la transmission être en permanence endommagé.</p> <p>Assurer le pouvoir changer est DÉSACTIVÉ, lieu le pulvérisateur dans un chaud zone pour plusieurs heures, alors prise dans le pouvoir corde et allumez le pulvérisateur. Lentement augmenter pression paramètre à voir si le moteur volonté commencer.</p> <p>Si peinture a durci dans le pulvérisateur, le pompe joints d'étanchéité, soupapes, transmission, et/ou le pressostat besoin d'être remplacé. Avoir le pulvérisateur desservis par un réparateur qualifié.</p>
Pompe ne fait pas prime.	Pulvériser/Apprêt Changer est dans Vaporisateur position.	Tourner Interrupteur de pulvérisation/amorçage à Prime position (montrer du doigt vers le bas)
	La grille d'entrée est obstruée, ou succion tube est pas immergé.	Faire le ménage débris depuis entrée écran et faire bien sûr le succion tube est immergé dans fluide.
	Pompe était pas amorcé avec eau ou un liquide de rinçage à base de solvant.	Supprimer l'aspiration tube de peinture. Prime le pompe avec le liquide de rinçage approprié.
	Entrée soupape vérifier balle est bloqué.	Retirez l'aspiration tube et placez un crayon dans le section d'entrée à déloger le balle, en permettant le pompe à prime correctement.
	Entrée soupape vérifier balle ou siège est sale.	Retirer entrée raccord. Nettoyer ou remplace le ballon et siège.

Sortie vérifier balle ou siège est sale.	Retirer le sortie raccord. Faire le ménage ou remplacer le ballon et le siège.
Succion tube est fuite.	Serrer le succion tube connexion. Inspecter pour fissures ou sous vide des fuites.
Fluides sont visqueux ou collant.	Quelques fluides peut prime plus rapide si le Pouvoir L'interrupteur est momentanément éteint afin que le pompe peut lent et arrêt. Répétez plusieurs fois si nécessaire.

<b>Problème</b>	<b>Cause</b>	<b>Solution</b>
Pompe cycles mais fait pas construire en haut pression.	Pompe est pas amorcé.	Prime le pompe.
	Entrée écran est bouché	Nettoyez les débris de la crépine d'entrée et faire bien sûr le succion tube est immergé dans fluide.
	Succion tube est pas immergé dans peinture.	Faire bien sûr le succion tube est immergé dans la peinture.
	Succion tube est fuite.	Serrez le raccord du tube d'aspiration. Inspectez le tube pour des fissures ou du vide des fuites. Si fissuré ou endommagé, remplacer le succion tube.
	Pulvériser/Aprêt Soupape est porté ou obstrué par des débris.	Avoir le pulvérisateur desservi par un qualifié réparateur.
	Entrée soupape vérifier balle est bloqué.	Retirez le tube d'aspiration et placez un crayon dans le section d'entrée à déloger le balle, en permettant le pompe à prime correctement.
	Entrée soupape vérifier balle ou siège est sale.	Retirer entrée raccord. Nettoyer ou remplace le ballon et siège.

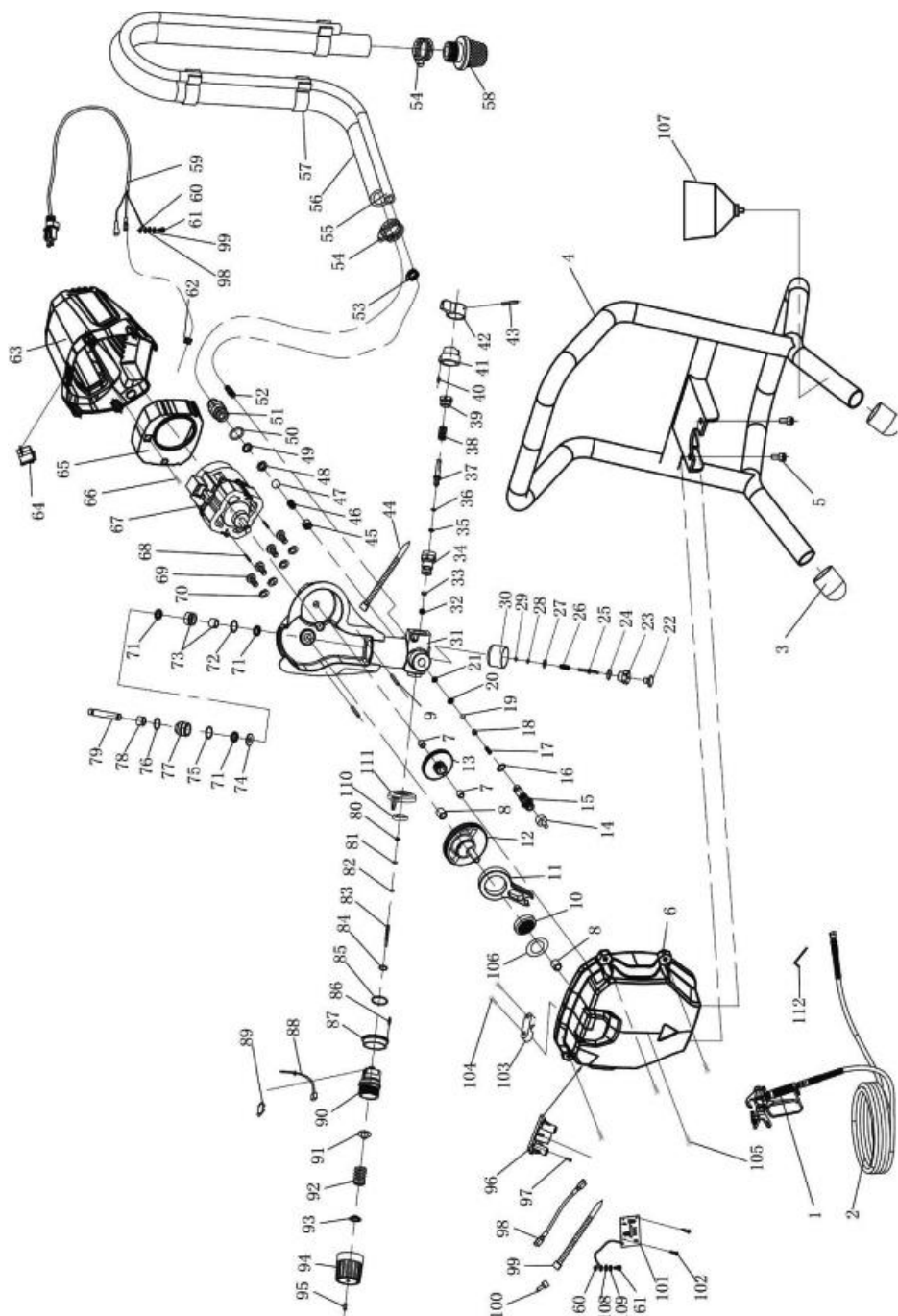
	Sortie vérifier balle ou siège est sale.	Retirer le sortie raccord. Faire le ménage ou remplacer le ballon et le siège.
Cycles de pompe mais peinture uniquement dribble ou poussées quand le vaporisateur le pistolet est déclenché.	Pression ensemble aussi faible.	Lentement tourner le Pression Contrôle Bouton dans le sens des aiguilles d'une montre à augmenter pression paramètre.
	Buse Vaporisateur Conseil est bouché.	Déboucher le Buse Pointe de pulvérisation .
	Vaporisateur pistolet filtre est bouché.	Faire le ménage ou remplacer le filtre dans le vaporisateur pistolet.
	Buse Vaporisateur Conseil est trop grande ou <b>WOITI</b> .	Remplacer le Buse Pointe de pulvérisation .
Pression est ensemble à maximum mais impossible d'obtenir une bonne pulvérisation modèle.	Buse Vaporisateur Conseil est dans le Déboucher position.	Soulager pression et tourner le Buse Vaporisateur Conseil donc le flèche est montrer du doigt loin de la poignée.
	Buse Vaporisateur Conseil est aussi grand pour la peinture étant pulvérisée.	Sélectionner un plus petit Buse Vaporisateur Conseil.
	Buse de pulvérisation Conseil est porté.	Remplacer le Buse Pointe de pulvérisation .
	Extension corde est aussi long ou pas calibre assez lourd.	Remplacer le extension corde avec un 12AWG corde.
	Vaporisateur pistolet fluide filtre est bouché.	Faire le ménage ou remplacer le vaporisateur pistolet fluide filtre.
	Entrée écran est bouché.	Faire le ménage débris depuis entrée écran.

	Pompe vannes sont porté, ou débris ça bouche les valves.	À vérifier pour porté pompe vannes : Prime le pulvérisateur de peinture. Déclenchez le pistolet momentanément. W poule le déclenchement est libéré, la pompe devrait fonctionner momentanément et arrêt. Si il continue à faire du vélo, alors le pompe soupape peut être porté.
	Matériau de peinture est aussi épais.	Mince le peinture matériel.
	Haut pression tuyau est aussi long.	Si un autre tuyau section a a été ajoutée, retirez la rallonge de tuyau.
<b>Problème</b>	<b>Cause</b>	<b>Solution</b>
Vaporisateur pistolet arrêté pulvérisation.	Succion tube est fuite.	Serrez le succion tube connexion. Inspecter le tube pour fissures ou vide des fuites.
	Buse Vaporisateur Conseil est bouché.	Déboucher le Buse Pointe de pulvérisation .
Peinture court vers le bas le mur ou s'affaisse.	Manteau est en allant sur aussi épais.	<p>Se déplacer le pistolet plus rapide.</p> <p>Choisir un Buse Vaporisateur Conseil avec un plus petit orifice.</p> <p>Choisir un Buse Vaporisateur Conseil avec un plus large ventilateur.</p> <p>Assurer un suffisant distance (1 pied ou 30cm) du pistolet au peint surface.</p>

<p>Couverture est aussi mince ou pulvérisé la peinture est inadéquate.</p>	<p>Manteau est en allant sur aussi mince.</p>	<p>Se déplacer le pistolet Ralentez.          Choisir une buse Vaporisateur Astuce avec un plus grand orifice.          Choisir un Buse Vaporisateur Conseil avec un ventilateur plus étroit.          Assurer un suffisant distance (1 pied ou 30cm) du pistolet au peint surface.</p>
<p>Ventilateur modèle varie dramatiquement alors que pulvérisation.          OU          Pulvérisateur fait pas tourner sur rapidement quand reprendre pulvérisation.</p>	<p>Le bouton de contrôle de la pression est porté et provoquant excessif pression variation.</p>	<p>Avoir le pulvérisateur entretenu par un qualifié réparateur.</p>
<p>Impossible de déclencher le vaporisateur pistolet.</p>	<p>Vaporisateur pistolet déclenchement verrouillage est fermé à clé.</p>	<p>Tourner le sécurité de déclenchement levier pour le ouvrir position.</p>
<p>Peinture est à venir dehors de le bouton de contrôle de la pression.</p>	<p>Pression Contrôle Bouton est porté.</p>	<p>Avoir le pulvérisateur desservi par un qualifié réparateur.</p>

<p>La valve de pulvérisation/amorçage s'active automatiquement soulager pression à travers le Sortir Prime Tube.</p>	<p>Système est surpressurisé.</p>	<p>Avoir le pulvérisateur entretenu par un qualifié réparateur.</p>
<p>Peinture fuites vers le bas le dehors de le pompe.</p>	<p>Pompe emballage les phoques ont porté.</p>	<p>Remplacer la pompe emballage scellés.</p>
<p>Le moteur est chaud et tourne par intermittence. Moteur automatiquement ferme désactivé exigible à chaleur excessive. Dommage peut se produire si cause est pas corrigée.</p>	<p>Évent des trous dans moteur enceinte sont branchés ou le pulvérisateur est couvert.</p>	<p>Garder évent des trous clair de les obstacles et surpulvérisation, et gardez le pulvérisateur découvert et à l'air libre.</p>
	<p>Extension corde est aussi long ou pas calibre assez lourd.</p>	<p>Remplacer le extension corde avec un 12 AWG corde.</p>
	<p>Non réglementé électrique Générateur utilisé a un effet excessif tension.</p>	<p>Utiliser un électrique Générateur avec un approprié Régulateur de tension. Le pulvérisateur nécessite un 120 VCA, 60 Hz, Générateur de 1 500 watts.</p>

## SCHÉMA DES PIÈCES



## LISTE DES PIECES



Non.	Description	Non.	Description	Non.	Description	Non.	Description
1	Sans air Vaporisateur Pistolet	34	Presse. Relief Siège de soupape	67	Moteur Assemblée	100	Verrouillage Anneau
2	Haut Pression Tuyau	35	joint torique, 5 X 1.8	68	Épingle, 3 x12	101	PCB Assemblée
3	Pied Coussinets	36	Anneau	69	Hex Boulon, MS X 14	102	Soi Tapotement Vis
4	Base Cadre	37	Presse. Relief Soupape Arbre	/ O	Printemps Machine à laver, M5	103	Référence Plaque
5	Hex Boulon, M6 X 25	38	Printemps	71	Composite Conserver Anneau	104	Boulon, M4 X 20
6	Couvercle de pompe	39	Printemps Siège	72	joint torique, 22,5 X 1.8	105	Boulon, M4.8 x16 _
7	Petit Laiton Bague	40	Épingle, 3 x8	73	Piège	106	Rouleau Brg. Cvr.
8	LG Laiton Bague	41	Changer Siège	74	Plat Machine à laver	107	Entonnoir
9	Épingle, 5 X 12	42	Changer Bouton	75	Joint Anneau	108	Plat Rondelle, M4
dix	Rouleau Palier	43	Épingle, 2.5 x25	76	joint torique, 26,5 X 1.8	109	Printemps Machine à laver, M4
11	De liaison Tige	44	Nylon Câble Cravate	77	Piston Siège	110	Presse. Ctl. Joint
12	Manivelle Roue dentée	45	Entrée Printemps Titulaire	78	Guide Gaine	111	Presse. Ctl. Indicateur Anneau
13	Grappe Engrenage	46	Entrée Printemps	79	Piston		
14	Fil Protecteur	47	Acier Balle, 12.7	80	Verrouillage Manche		
15	Décharge Siège de soupape	48	Entrée Joint	81	Renforcé Joint		

16	0-anneau, 10x 8	49	Entrée Machine à laver	82	Blanc Joint		
17	Sortir printemps	50	0-anneau, 17x1,8	83	Changer Arbre		
18	Mandrin	51	Entrée Port	84	Joint torique, 8,8 X 1.9		
19	Acier Balle, 6.4	52	Presse. Relief Prise	85	joint torique, 27 X 2.4		
20	JointSiège	53	Petit Tuyau Serrer	86	Boulon, M3 X dix		
21	Sortir Machine à laver	54	LG Tuyau Serrer	87	Fin Casquette		
22	Bouton	55	Apprêt Sortir Tube	88	Micro-interrupteur Ass.		
23	Bouton Printemps	56	Succion Tube	89	Couvercle du micro-interrupteur		
24	0-anneau, 10x 1,5	57	Collier de serrage	90	Presse. Ctl. Siège Insérer		
25	Bouton Arbre	58	Entrée Écran Ass.	91	Plafond de déflation		
26	Bouton Printemps	59	Cordon d'alimentation	92	Presse. Ctl. Printemps		
27	Laiton Entretoise	60	Contre-écrou	93	Printemps Siège		
28	Conserver Anneau	61	Vis, M4 X 8	94	Presse. Ctl. Bouton		
29	Joint torique 2.4 X 1.8	62	Corde Souche Relief	95	Presse. Ctl. Vis		
30	Bouton Logement	63	Moteur Logement	96	PCB Soutien Brkt.		
31	Pompe Logement	64	Pouvoir Changer	97	Boulon, M4 x10 _		
32	Plastique Machine à laver	65	Ventilateur Envelopper	98	Fil Connecteur		
33	Plastique Machine à laver	66	Boulon, 2 x16	99	Nylon Câble Cravate		

**Adresse** : Baoshanqu Shuangchenglu 803long 11hao 1602A-1609shi Shanghai

**Importé en Australie** : SIHAO PTY LTD . 1 ROKEVA STREETASTWOOD NSW  
2122 Australie

**Importé aux États-Unis** : Sanven Technology Ltd. Suite 250, 9166 Anaheim  
Place, Rancho Cucamonga, CA 91730

<b>EC</b>	<b>REP</b>	SHUNSHUN GmbH Römeräcker 9 Z2021,76351 Linkenheim-Hochstetten, Germany
-----------	------------	--

<b>UK</b>	<b>REP</b>	Pooledas Group Ltd Unit 5 Albert Edward House, The Pavilions Preston, United Kingdom
-----------	------------	--

**Fabriqué en Chine**

**VEVOR<sup>®</sup>**

**TOUGH TOOLS, HALF PRICE**

**Technique Assistance et certificat de garantie électronique**

**[www.vevor.com/support](http://www.vevor.com/support)**

# **VEVOR<sup>®</sup>**

## **TOUGH TOOLS, HALF PRICE**

Technisch Ondersteuning en e-garantiecertificaat [www.vevor.com/support](http://www.vevor.com/support)

## **Hogedruk airless verfspuit**

We continue to be committed to provide you tools with competitive price.

"Save Half", "Half Price" or any other similar expressions used by us only represents an estimate of savings you might benefit from buying certain tools with us compared to the major top brands and does not necessarily mean to cover all categories of tools offered by us. You are kindly reminded to verify carefully when you are placing an order with us if you are actually saving half in comparison with the top major brands.

# VEVOR<sup>®</sup>

TOUGH TOOLS, HALF PRICE

## HIGH PRESSURE AIRLESS PAINT SPRAYER



RP862 6



RP862 6PLUS \_

### NEED HELP? CONTACT US!

Have product questions? Need technical support? Please feel free to contact us:

**Technical Support and E-Warranty Certificate**  
[www.vevor.com/support](http://www.vevor.com/support)

This is the original instruction, please read all manual instructions carefully before operating. VEVOR reserves a clear interpretation of our user manual. The appearance of the product shall be subject to the product you received. Please forgive us that we won't inform you again if there are any technology or software updates on our product.


### 13. Belangrijke veiligheidsinstructies

Deze handleiding is bedoeld voor uw voordeel . Lees en volg de veiligheids-, installatie- en onderhoudsvorschriften en stappen voor probleemoplossing die hierin worden beschreven om uw veiligheid en tevredenheid te garanderen. De inhoud van deze instructie handleiding zijn gebaseerd op de meest recente productinformatie die beschikbaar was op het moment van publicatie. De fabrikant behoudt zich het recht voor om op elk moment en zonder voorafgaande kennisgeving productwijzigingen door te voeren.

De veiligheidsinstructies in deze handleiding zijn niet bedoeld als dekking mogelijke omstandigheden en praktijken kan optreden bij het bedienen, onderhouden en reinigen van elektrische apparatuur.

Gebruik altijd uw gezond verstand en let vooral op alle GEVAAR, WAARSCHUWING, VOORZICHTIG en OPMERKING uitspraken in deze handleiding.

Etiketten onderhouden. Deze bevatten belangrijke informatie. Het label op uw gereedschap kan de volgende symbolen bevatten. De symbolen en hun definities zijn als volgt:

<b>Symbo l</b>	<b>Eigendom of verklaring</b>
	Waarschuwing - Om het risico op letsel te verminderen, moet de gebruiker de handleiding zorgvuldig lezen . Lees en begrijp deze handleiding voordat u dit product gebruikt. Als u dit niet doet, kan dit leiden tot ernstig letsel of de dood.
	<b>Veiligheidswaarschuwingssymbool</b> Dit symbool, geplaatst vóór een veiligheidsopmerking, duidt op een soort voorzorgsmaatregel, waarschuwing of gevaar. Het negeren van deze waarschuwing kan tot een ongeval leiden. Om het risico op letsel, brand of elektrocutie te verminderen, dient u altijd de onderstaande aanbeveling op te volgen.

	<b>Gevaar!</b> Risico op persoonlijk letsel of milieuschade! Risico op elektrische schokken! Gevaar voor persoonlijk letsel door elektrische schokken!
	Waarschuwing- Zorg ervoor dat u gehoorbeschermers draagt wanneer u dit product gebruikt.
	Waarschuwing- Zorg ervoor dat u oogbeschermers draagt wanneer u dit product gebruikt.
	Waarschuwing- Zorg ervoor dat u stofmaskers draagt wanneer u dit product gebruikt.
	Waarschuwing- Zorg ervoor dat u handschoenen draagt wanneer u dit product gebruikt.
	Risico op brand
	 Risico op explosie.
	  Risico op huidinjectie.
	 Risico op giftige dampen. Alleen in goed geventileerde ruimtes gebruiken.
	Gevaar voor aluminium onderdelen onder druk.
	Vermijd ontstekingsbronnen zoals waakvlammen, sigaretten, draagbare lampen, enz.
	Ontlast de systeemdruk.



	<p>Hete oppervlakken/gevaar voor brandwonden.</p>
	<p><b>Informatie over verwijdering:</b>  Dit product valt onder de bepalingen van de Europese richtlijn 2012/19/EG. Het symbool met een doorgestreepte afvalcontainer geeft aan dat het product in de Europese Unie een aparte afvalinzameling vereist. Dit geldt voor het product en alle accessoires die met dit symbool zijn gemarkeerd. Producten die als zodanig zijn gemarkeerd, mogen niet bij het normale huisvuil worden weggegooid, maar moeten worden ingeleverd bij een inzamelpunt voor recycling van elektrische en elektronische apparaten .</p>
V	Volt
A	Ampère
Hz	Hertz
W	Watt
	Wisselstroom (AC)
	Gelijkstroom (DC)
	Wisselstroom of gelijkstroom (AC/DC)
	Eating-terminal
	Klasse I constructie (geaard)
	Klasse II-constructie (dubbel geïsoleerd)
PSI	Pond per vierkante inch
MPa	Megapascal
toerental	Revoluties per minuut

min	Minuten
S	Seconden

## **ALGEMENE VEILIGHEIDSREGELS VOOR ELEKTRISCHE GEREEDSCHAPPEN**

### **EEN WAARSCHUWING**

**LEES ALLE VEILIGHEIDSWAARSCHUWINGEN EN ALLE INSTRUCTIES.** Het niet opvolgen van de

**waarschuwingen en instructies** kan leiden tot elektrische schokken, brand, explosies en/of ernstig letsel.

**BEWAAR ALLE WAARSCHUWINGEN EN INSTRUCTIES VOOR TOEKOMSTIG RAADPLEGING.**

**De term 'elektrisch gereedschap' in de waarschuwingen verwijst** naar uw elektrisch gereedschap dat op het lichtnet werkt (met snoer).

### **VEILIGHEID**

- Houd de werkplek schoon en goed verlicht. Rommelige of donkere gebieden nodigen uit ongelukken
- Gebruik elektrisch gereedschap niet in explosieve atmosferen, zoals in de aanwezigheid van brandbare vloeistoffen, gassen of stof. Elektrisch gereedschap veroorzaakt vonken die het stof of de dampen kunnen doen ontbranden.
- Houd kinderen en omstanders uit de buurt tijdens het gebruik van elektrisch gereedschap. Afleiding kan ertoe leiden dat u de controle verliest.

### **PERSOONLIJKE VEILIGHEID**

- **Blijf alert, let op wat u doet en gebruik uw gezond verstand bij het bedienen van elektrisch gereedschap. Gebruik geen elektrisch gereedschap als u moe bent of onder invloed bent van drugs, alcohol of medicijnen. Een moment van onoplettendheid tijdens het gebruik van elektrisch gereedschap kan leiden tot ernstig persoonlijk letsel.**
- **Gebruik persoonlijke beschermingsmiddelen. Draag altijd oogbescherming met zijschermen. Beschermende uitrusting zoals ademhalingstoestellen,**

stofmaskers, antislipveiligheidsschoenen , veiligheidshelm en gehoorbescherming zullen persoonlijk letsel verminderen.

- **Voorkom onbedoeld starten. Zorg ervoor dat de schakelaar in de uit-stand staat voordat u de stroombron aansluit, het gereedschap oppakt of draagt. Elektrisch gereedschap met uw vinger dragen**
  - de schakelaar of elektrisch gereedschap waarvan de schakelaar is ingeschakeld, nodigt uit tot ongelukken.
  - **Overdrijf niet.** Zorg ervoor dat u altijd goed staat en uw evenwicht behoudt , zodat u in onverwachte situaties een betere controle over het elektrisch gereedschap kunt krijgen .
  - **Kleed u naar behoren.** Draag geen losse kleding of sieraden. Houd uw haar, kleding en handschoenen uit de buurt van bewegende delen. Losse kleding, sieraden of lang haar kunnen vast komen te zitten in bewegende delen.
  - **Houd handgrepen en grijpoppervlakken droog en schoon en vrij van olie en vet.** Gladde handgrepen en grijpoppervlakken maken een veilige hantering en controle van het gereedschap in onverwachte situaties niet mogelijk.
  - **Zorg ervoor dat de vertrouwdheid die u opdoet door veelvuldig gebruik van gereedschappen er niet voor zorgt dat u zelfgenoegzaam wordt en veiligheidsprincipes negeert.** Een onzorgvuldige handeling kan binnen een fractie van een seconde ernstig letsel veroorzaken.
  - **Dit product is niet bedoeld voor gebruik door personen (inclusief kinderen) wier fysieke, zintuiglijke of mentale capaciteiten anders of verminderd zijn, of gebrek aan ervaring of kennis, tenzij dergelijke personen toezicht of training krijgen in de bediening van het apparaat door een persoon verantwoordelijk voor hun veiligheid. Er moet toezicht worden gehouden op kinderen om ervoor te zorgen dat ze het apparaat niet als speelgoed gebruiken.**

#### ELEKTRISCHE GEREEDSCHAP GEBRUIK EN

- **REINIG HET SPUITAPPARAAT NA ELK GEBRUIK.**
- **Forceer het elektrisch gereedschap niet. Gebruik het juiste elektrische gereedschap voor uw toepassing. Het juiste elektrische gereedschap zal het werk beter en veiliger uitvoeren met de snelheid waarvoor het is ontworpen.**
- **Gebruik het elektrisch gereedschap niet als de schakelaar het niet aan- en uitzet. Elk elektrisch gereedschap dat niet met de schakelaar kan worden bediend, is gevaarlijk en moet worden gerepareerd.**

- **Koppel de stekker uit het stopcontact voordat u aanpassingen maakt, accessoires verwisselt of elektrisch gereedschap opbergt. Dergelijke preventieve veiligheidsmaatregelen verminderen het risico dat het elektrisch gereedschap per ongeluk wordt gestart.**
- **Bewaar niet-gebruikte elektrische gereedschappen buiten het bereik van kinderen en laat personen die niet bekend zijn met het elektrische gereedschap of deze instructies het elektrische gereedschap niet bedienen. Elektrisch gereedschap is gevaarlijk in de handen van ongetrainde gebruikers.**
- **Onderhoud elektrisch gereedschap. Controleer op verkeerde uitlijning of vastlopen van bewegende onderdelen, breuk van onderdelen en andere omstandigheden die de werking van het elektrisch gereedschap kunnen beïnvloeden. Indien beschadigd, laat het elektrische gereedschap dan repareren voordat u het gebruikt. Veel ongelukken worden veroorzaakt door slecht onderhouden elektrisch gereedschap.**

#### SERVICE

- **Gebruik het elektrische gereedschap, de accessoires en gereedschapsbits etc. in overeenstemming met deze instructies, rekening houdend met de werkomstandigheden en de uit te voeren werkzaamheden.** Het gebruik van het elektrische gereedschap voor andere werkzaamheden dan waarvoor het bedoeld is, kan tot een gevaarlijke situatie leiden.
- **Controleer vóór elk gebruik op beschadigde onderdelen.** Controleer of de bewakers goed werken en hun beoogde functie vervullen. Controleer op uitlijning van bewegende delen, vastlopen van bewegende delen, breuk van onderdelen, montage en andere omstandigheden die de werking ervan kunnen beïnvloeden. Een beschermkap of ander onderdeel dat beschadigd is, moet op de juiste manier worden gerepareerd of vervangen door een erkend servicecentrum. Als u deze regel volgt, wordt het risico op schokken, brand of ernstig letsel verminderd.
- **Inspecteer het snoer van het elektrisch gereedschap regelmatig en als het beschadigd is, mag het uitsluitend door de fabrikant of door een erkend servicecentrum worden vervangen om risico's te voorkomen.** Als u deze regel volgt, wordt het risico op een elektrische schok of brand verminderd.
- **Laat uw elektrische gereedschap onderhouden door een gekwalificeerde reparateur en gebruik alleen identieke vervangingsonderdelen .** Hierdoor wordt

gegarandeerd dat de veiligheid van het elektrische gereedschap behouden blijft.

## SPECIFIEKE VEILIGHEIDSWAARSCHUWINGEN

### EEN WAARSCHU WING

Dit spuitapparaat is niet bedoeld voor gebruik met ontvlambare of brandbare materialen die worden gebruikt in industriële toepassingen of toepassingen op vaste locaties, zoals fabrieken of verfwinkels. Volg alle toepasselijke federale, staats- of provinciale regelgeving en voldoe aan de NFPA 33- en OSHA-vereisten indien gebruikt in deze toepassingen. Volg alle toepasselijke federale, staats- of provinciale regelgeving en voldoe aan de NFPA 33- en

#### BRANDVEILIGHEID

#### ! GEVAAR



**Om het risico op brand of explosie te verminderen:**

- **Dampen van oplosmiddelen en verf zijn brandbaar en kunnen ontbranden of exploderen.** Gebruik het apparaat alleen in een goed geventileerde ruimte en laat frisse lucht door de werkplek stromen. Houd de pomp goed geventileerd en spuit niet op de pompconstructie.
- **Het spuitapparaat genereert vonken.** Als er brandbare vloeistof wordt gebruikt in of nabij het spuitapparaat of voor het spoelen of reinigen, houd het spuitapparaat dan op een afstand van ten minste 6 meter van explosieve dampen.
- **Spuit geen ontvlambare of brandbare materialen in de buurt van open vuur of ontstekingsbronnen zoals boilers, sigaretten, motoren en elektrische apparatuur met waakvlammen.** Gebruik alleen materialen op waterbasis of terpentijn met een vlampunt hoger dan 21° C.
- **Verf of oplosmiddel dat door de apparatuur stroomt, kan statische elektriciteit veroorzaken.** Statische elektriciteit creëert een risico op brand of explosie in de

aanwezigheid van verf- of oplosmiddeldampen . Alle onderdelen van het spuitsysteem , inclusief de pomp, het slangsamenstel, het spuitpistool en voorwerpen in en rond het spuitgebied moeten goed geaard zijn om te beschermen tegen statische ontladingen en vonken. Gebruik alleen geleidende of geaarde hogedruk airless verfspuitslangen die door de fabrikant zijn gespecificeerd.

- **Voorkom statische ontladingen door ervoor te zorgen dat alle containers en opvangsystemen goed geaard zijn.**
- **Gebruik altijd een geaard stopcontact en geaarde verlengsnoeren.** Gebruik geen 3-naar-2-stekkeradapter.
- **Gebruik geen verf of oplosmiddel die gehalogeneerde koolwaterstoffen bevat.** Ken de inhoud van verven en oplosmiddelen die worden gespoten. Lees alle veiligheidsinformatiebladen (MSDS) en containerlabels die bij de verven en oplosmiddelen zijn geleverd. Volg de veiligheidsinstructies van de fabrikant van de verf en oplosmiddelen.
- **Houd altijd een werkende brandblusser in de buurt.**
- **Rook niet in de werkomgeving.**
- **Bedien geen lichtsakelaars, motoren of soortgelijke vonkproducerende producten in het spuitgebied .**
- **Houd de werkplek schoon en vrij van verf- of oplosmiddelcontainers, voden en andere brandbare materialen.**

## ELEKTRISCHE VEILIGHEID

**! DANGER**



Om het risico op een elektrische schok te verminderen:

- **Dit product vereist een goed geaard stopcontact om het risico op een elektrische**

**schok te verminderen.** Zorg ervoor dat het stopcontact goed geaard is, in overeenstemming met alle lokale codes en verordeningen. De stekker en het stopcontact moeten er uitzien als die in Afb. A. Raadpleeg een gekwalificeerde elektricien of onderhoudsmonteur als u de aardingsinstructies niet begrijpt of als u twijfelt of de apparatuur goed geaard is.

- **Wijzig de bij het gereedschap geleverde stekker niet.** Verwijder nooit de aardingspen van de stekker. Als de stekker niet in het stopcontact past, laat dan een geschikt stopcontact installeren door een gekwalificeerde elektricien.
- **Gebruik het gereedschap niet als het netsnoer of de stekker beschadigd is.** Als het beschadigd is, laat het dan vóór gebruik repareren door een servicecentrum.
- **Het stopcontact moet overeenkomen met de stekker.** Gebruik geen adapters met een geaarde stekker. Ongewijzigde stekkers en bijpassende stopcontacten verminderen het risico op een elektrische schok.
- **Vermijd lichaamscontact met geaarde of geaarde oppervlakken zoals buizen, radiatoren, fomuizen en koelkasten.** Er is een verhoogd risico op een elektrische schok als uw lichaam geaard is.
- **Stel dit product niet bloot aan regen of natte omstandigheden.** Water dat het product binnendringt, verhoogt het risico op een elektrische schok.
- **Als een verlengsnoer nodig is, gebruik dan minimaal 12 AWG (2,5 mm<sup>2</sup>) om de juiste hoeveelheid stroom voor het gereedschap te leveren.** Een te klein snoer zal resulteren in een spanningsval, waardoor vermogensverlies ontstaat en oververhitting.
- **Gebruik uitsluitend een 3-draads verlengsnoer met een geaarde stekker en een goed geaard stopcontact waarin de stekker van dit gereedschap past.**



- **Volg de lokale codes bij het kiezen van een emmer met oplosmiddel voor het spoelen.** Gebruik alleen geleidende metalen emmers die op een geaard oppervlak

zoals beton worden geplaatst. Plaats de emmer niet op een niet-geleidend oppervlak zoals papier of karton. Sluit een aardedraad aan tussen de emmer en een aarde, zoals een metalen buis. Bij het spoelen of ontlasten van de druk vasthouden plaats een metalen gedeelte van het spuitpistool tegen de emmer om te zorgen voor continuïteit bij het aarden en vervolgens spuiten.

## HUIDINJECTIEVEILIGHEID



**IN GEVAL VAN ACCIDENTELE HUIDINJECTIE, ZOEK ONMIDDELIJK MEDISCHE BEHANDELING!** Hogedrukspuiten of lekkages kunnen de huid binnendringen, wat ernstig letsel of de dood tot gevolg kan hebben.

**Om het risico op huidinjectie te verminderen:**

- **Controleer of alle aansluitingen goed vastzitten VOORDAT u het apparaat inschakelt.**
- **Richt het pistool niet en spuit niet op personen of dieren.**
- **Houd handen en andere lichaamsdelen uit de buurt van de spuittip en lekkages.** Probeer geen lekkages met welk lichaamsdeel dan ook te stoppen.
- **Gebruik altijd een mondstuktipbeschermer.** Spuit nooit zonder dat er een spuittipbeschermer is geïnstalleerd.
- **Schakel de trekkervergrendeling in als u niet aan het spuiten bent.** Apparatuur behoudt de druk nadat de stroom is uitgeschakeld.
- **Inspecteer de slangen en onderdelen vóór elk gebruik op eventuele schade.** Vervang beschadigde slangen of onderdelen uitsluitend door originele vervangingsonderdelen.
- **Vervangingsonderdelen moeten een nominale druk hebben die niet lager is dan die van de pomp van 3000 PSI (205 bar).**



## ! WARNING



- **Volg altijd de Drukontlastingsprocedure om de druk uit te schakelen en te ontlasten. Laat het apparaat niet onder spanning staan of onder druk staan terwijl het onbeheerd is of niet in gebruik is.**
- **Wees voorzichtig bij het reinigen en vervangen van slangen, mondstuktips, tipbeschermers of bij het installeren van verlengstukken. Volg de Drukontlastingsprocedure voor het uitschakelen en ontlasten van de druk voordat u probeert te wisselen.**

## HOT OPPERVLAKVEILIGHEID

## ! WARNING



Oppervlakken van apparatuur en vloeistoffen die onder druk staan, kunnen tijdens het gebruik heet worden. Voorkom brandwonden door hete vloeistoffen of apparatuur niet aan te raken.

## UITRUSTING VEILIGHEID

## ! WARNING



MISBRUIK VAN DEZE APPARATUUR KAN DOOD OF ERNSTIG LETSEL VEROORZAKEN.

- **Bedien het apparaat niet wanneer u vermoeid of onderkoeld bent de invloed van drugs of alcohol.**
- **Giftige vloeistoffen of dampen kunnen ernstig letsel veroorzaken of**

**overlijden als het in de ogen of op de huid spat, wordt ingeademd** of ingeslikt. Draag altijd persoonlijke kleding beschermende uitrusting inclusief oogbescherming, gelaatsscherm, gehoorbescherming en gasmasker of gezicht masker. Lees altijd de MSDS en ken de specifieke gevaren voor de vloeistof die u gebruikt.

- Overschrijd de maximale werkdruk niet of temperatuurclassificatie van de laagst gewaardeerde systeemcomponent.
- **Gebruik vloeistoffen en oplosmiddelen die compatibel zijn met apparatuur.** Lees altijd vloeistof en oplosmiddel waarschuwingen van de fabrikant.
- **Apparatuur onder druk kan zonder starten waarschuwing.** Voordat u het apparaat inspecteert, verplaatst of onderhoudt de apparatuur, volg de Drukontlasting Procedure in deze handleiding en ontkoppel de stroomvoorziening.

#### ALUMINIUM VEILIGHEID ONDER DRUK

**⚠ WARNING**



Gebruik van vloeistoffen die niet compatibel zijn met aluminium in apparatuur onder druk kan een ernstige aandoening veroorzaken chemische reactie en apparatuurbreuk. Mislukking het opvolgen van deze waarschuwing kan leiden tot de dood, ernstig letsel of materiële schade.

Gebruik geen 1,1, 1 - trichloorethaan , methyleen chloride, of andere gehalogeneerde koolwaterstof oplosmiddelen of vloeistoffen die dergelijke oplosmiddelen bevatten.

Veel andere vloeistoffen kunnen chemicaliën bevatten die kan reageren met aluminium. Neem contact op met uw materiaal leverancier voor compatibiliteit .

#### WARNING

Voordat u dit product gebruikt, dient u alle instructies en veiligheids waarschuwingen te lezen en te begrijpen. Onjuist gebruik kan leiden tot ernstig letsel of materiële schade.

1. Waarschuwingen \_\_ \_\_ moeten zijn gevolgd voorzichtig \_\_ \_\_ naar voorkomen lichaam blessure. Ongepast gebruik kunnen resultaat in elektrische schokken, brand, persoonlijk letsel en andere schade:
- 1 ) Bewaren loskoppelen wanneer het verplaatsen van de machine.
  - 2 ) Bewaren loskoppelen wanneer installeren \_ accessoires
  - 3) Plaats het aan een platte en stal platform En bedienen onder geventileerd voorwaarden
  - 4) Draag speciaal beschermende uitrusting wanneer operationeel de machine
  - 5) Doen gebruik dit niet machine in A gevaarlijke locatie.
  - 6) Doen niet gebruik wanneer de machine is niet werken op de juiste manier .
  - 7) Doen niet demonteren En reparatie dit machine .
  - 8) Doen niet gebruik een ongeschikt AC Uitlaat .
  - 9) Doen niet aanraken verwarming plaat wanneer de machine is aan het opwarmen .
  - 10) Doen niet gebruiken in een vochtige omgeving of contact met water. Doen niet inf ik ltraat vloeistof in de machine aan brand voorkomen of elektrische schok veroorzaakt door kortsluiting.
  - 11) Doen niet gebruik de stroom levering Dat doet niet ontmoeten de beoordeeld Spanning . De stroom levering dat doet niet voldoen aan de gespecificeerde spanning kan brand veroorzaken of elektrisch schok.
  - 12) Zorg ervoor Dat de machine is geground Dus als niet naar oorzaak leed naar het lichaam .
  - 13)Doen niet aanraken roterend \_ hengel of lager neem deel met ouw vingers tijdens gebruik in geval van verwondingen .
  - 14) Als de machine is niet in gebruik voor A lang tijd , Alsjeblieft loskoppelen de stroom koord van de stopcontact .
  - 15) Doen gebruik de niet machine tijdens onweer of verlichting naar voorkomen schade aan de machine .
  - 16) Plaats de machine soepel op de vlamvertragende tafel En blijf weg van Ik ben bekwaam en explosief artikelen.
  - 17 ) Alsjeblieft stop gebruik makend van Het als de machine rookt , straalt uit A ongewoon geur , of wordt luidruchtig En in ander abnormaal

voorwaarden.

18) Dit apparaat kan zijn gebruikt door kinderen oud van 8 jaar En boven En personen met gereduceerd fysiek , sensorisch of mentaal mogelijkheden of gebrek van ervaring En kennis \_ als ze onder toezicht staan of instructies hebben gekregen over het gebruik van het apparaat in een kluis manier en begrijp de gevaren die ermee gepaard gaan. Kinderen mogen niet met het apparaat spelen. Reiniging en gebruikersonderhoud mogen niet door kinderen zonder toezicht worden uitgevoerd

31) Type Z- opzetstuk: Als het netsnoer niet kan worden vervangen . Als het snoer beschadigd is, moet het apparaat worden weggegooid.

32) Om gevaar als gevolg van het onbedoeld resetten van de thermische beveiliging te voorkomen, wordt dit gedaan apparaat mag niet worden gevoed via een extern schakelapparaat, zoals een timer, of aangesloten op een circuit dat regelmatig wordt in- en uitgeschakeld door het nutsbedrijf.

## FCC INFORMATION

**VOORZICHTIGHEID:** Wijzigingen of aanpassingen die niet uitdrukkelijk zijn goedgekeurd door de partij die verantwoordelijk is voor naleving kunnen de bevoegdheid van de gebruiker om de apparatuur te bedienen ongeldig maken!

Dit apparaat voldoet aan Deel 15 van de FCC-regels. De werking is onderworpen aan de volgende twee voorwaarden:

1) Dit product kan schadelijke interferentie veroorzaken.

2) Dit product moet alle ontvangen interferentie accepteren, inclusief interferentie die een ongewenste werking kan veroorzaken.

**WAARSCHUWING:** Wijzigingen of aanpassingen aan dit product die niet uitdrukkelijk zijn goedgekeurd door de partij die verantwoordelijk is voor naleving kunnen de bevoegdheid van de gebruiker om het product te bedienen ongeldig maken.

**Opmerking:** Dit product is getest en voldoet aan de limieten voor een digitaal apparaat van Klasse B overeenkomstig Deel 15 van de FCC-regels.

Deze limieten zijn bedoeld om redelijke bescherming te bieden tegen schadelijke interferentie in een residentiële installatie.

Dit product genereert, gebruikt en kan radiofrequentie-energie uitstralen, en zo niet geïnstalleerd en gebruikt in overeenstemming met de instructies, kan schadelijke interferentie aan radiocommunicatie veroorzaken. Er is echter geen garantie dat er geen interferentie zal optreden in een bepaalde installatie. Als dit product schadelijke interferentie veroorzaakt aan radio- of televisieontvangst, wat kan worden vastgesteld door het product uit en weer in te schakelen, wordt de gebruiker aangeraden te proberen de interferentie te corrigeren door een of meer van de volgende maatregelen.

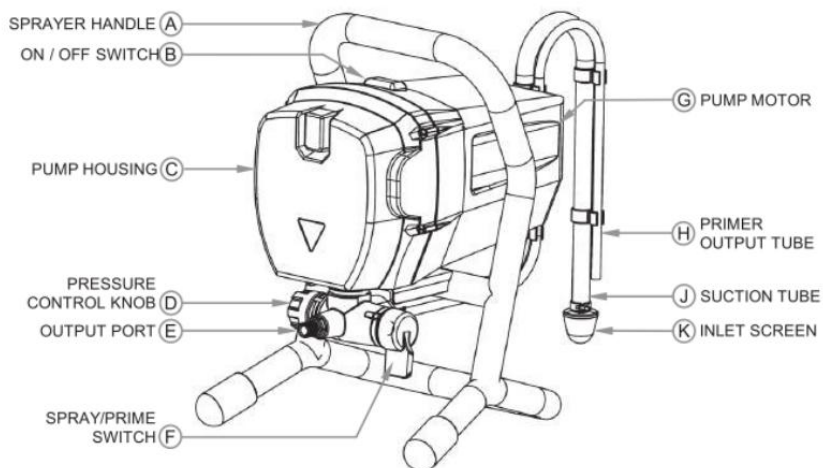
- Heroriënteer of verplaats de ontvangstantenne.
- Vergroot de afstand tussen het product en de ontvanger.
- Sluit het product aan op een stopcontact op een ander circuit dan dat waarop de ontvanger is aangesloten.
- Raadpleeg de dealer of een ervaren radio-/tv-technicus voor hulp.

—

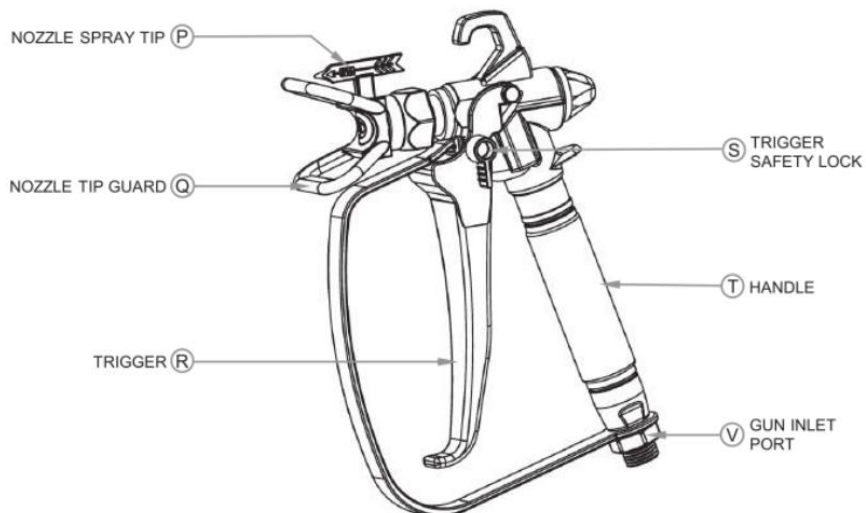
Items	Description	RP8626	RP8626 PLUS
1	Rated Voltage:	120VAC 60Hz ( For US user)	120VAC 60Hz ( For US user)
2	Rated Voltage:	230VAC 50Hz ( For Europe user)	230VAC 50Hz ( For Europe user)
3	Rated Power:	750 W	750 W
4	Maximum Working Pressure (MWP):	3000 PSI	3000 PSI
5	Maximum Delivery:	1.2 LPM	1.2 LPM
6	Work Environment Temperature:	5° C - 40° C / 40° F - 105° F	5° C - 40° C / 40° F - 105° F
7	Standard Nozzle:	517	517
8	Transportation and Storage Temperature:	-13° F-131° F (-25° C-55° C)	-13° F-131° F (-25° C-55° C)
9	Hose Length:	7.6 m / 25 ft	7.6 m / 25 ft
10	Paint Outlet Connector Size	1/4" -18 NPSM	1/4" -18 NPSM
11	G. W. :	9.8kg	12.3kg

## FEATURI DETALIIATE

## RP8626 SPUITAPPARAAT:



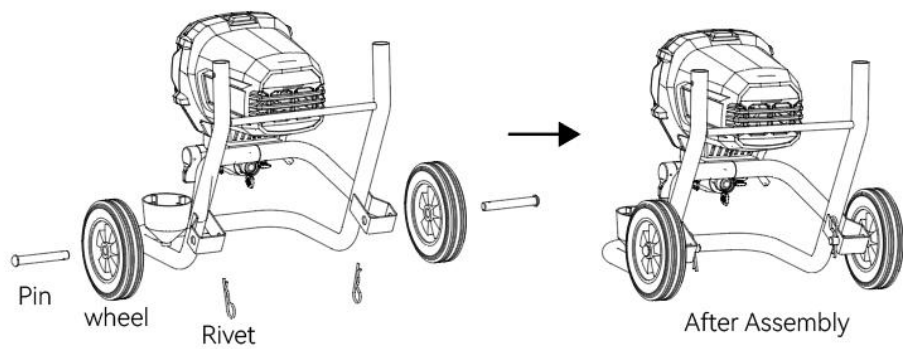
## RP8626 & RP8626 PLUS LUCHTLOOS SPUITPISTOOL



## 8626PLUS

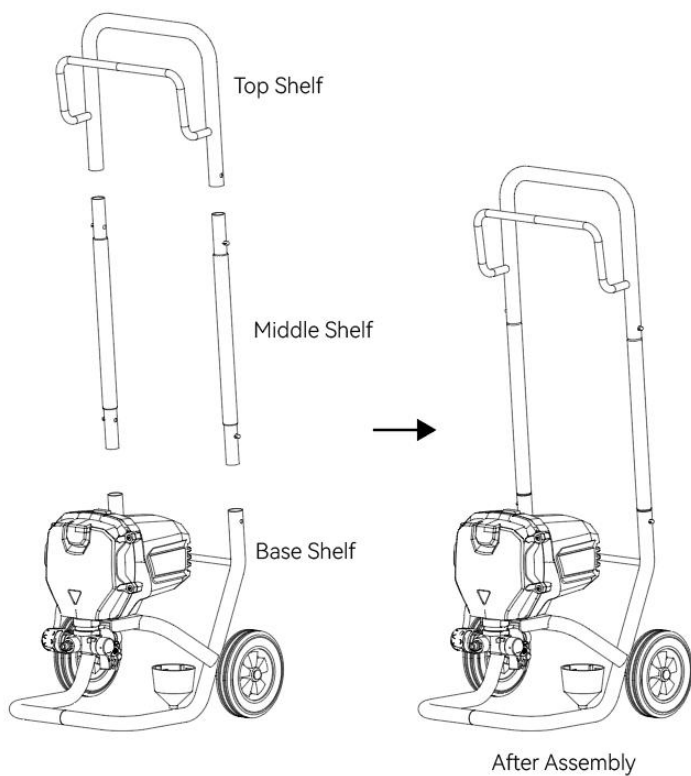
## wheel installation

---



## Shelf installation

---





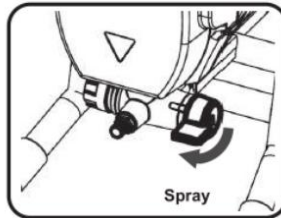
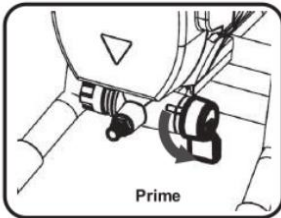
# OPERATIE

## KENNISGEVING:

REINIG NA GEBRUIK OM PERMANENTE SCHADE AAN DE TE VOORKOMEN SPUITMACHINE. RETOURNEREN WORDEN NIET AANVAARD EN DE GARANTIE VERVALT ALS HET SPUITAPPARAAT NIET ONMIDDELLIJK NA ELK GEBRUIK GOED WORDT GEREINIGD.

### Schakelaar voor vullen/spuiten

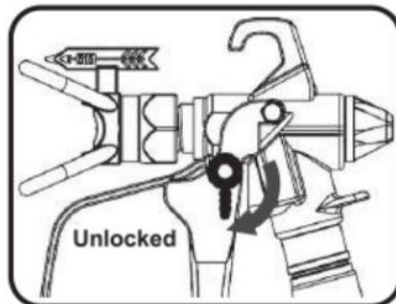
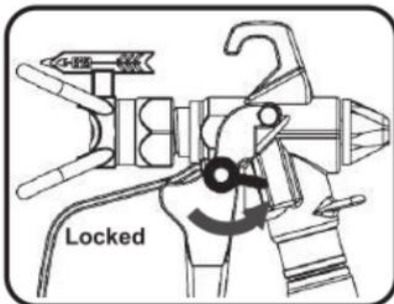
De Prime/Spray-schakelaar (F) schakelt het apparaat tussen de priming-modus en het spuiten modus.



### Triggervergrendeling

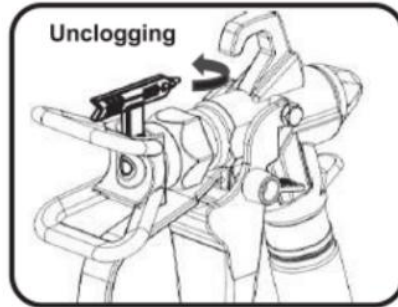
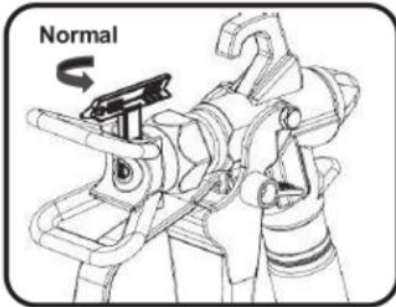
De Trigger Lock (S) voorkomt het activeren, zodat dit niet per ongeluk gebeurt bediend, zoals wanneer het pistool is liet vallen.

**DRAAI ALTIJD DE TREKKERVERGREDELING IN WANNEER HET SPUITPISTOOL NIET IN GEBRUIK IS.**



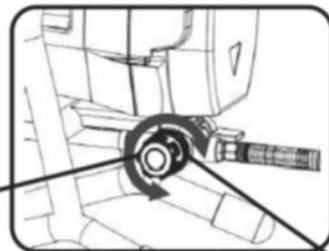
### **Mondstuk spuittip**

De spuittip (P) is afneembaar en omkeerbaar om te maken gemakkelijker schoonmaken en ontstoppen. Normale bediening is met de pijl naar buiten en weg van gericht het geweer. Het ontstoppen van de spuitmond is gedaan door de Nozzle Spray te draaien Kantel zodat de pijl wijst naar binnen richting het pistool.



### **Drukregelknop**

Met de drukregelknop (D) regelt u de druk van de verf uitgang op de uitgangspoort (E). Door de knop volledig naar rechts te draaien (met de klok mee) wordt de verfpomp ingesteld op de maximale druk ingesteld voor hogedrukspuiten. Als u de knop volledig naar links draait (tegen de klok in), wordt de verfpomp tot een minimum beperkt druk. Lijn de indicator van de drukregelknop uit met de gewenste functie zoals weergegeven op het label (hieronder weergegeven)



High Pressure Spray

Low Pressure Spray

Prime/Clean

Roller

## DRUKONTLASTINGPROCEDURE

### **WARNING**

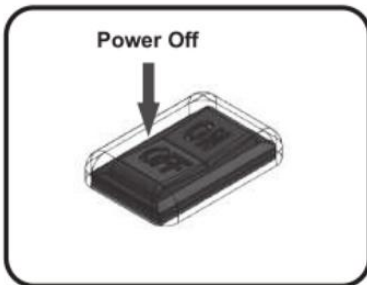


ONTLAAT ALTIJD DE DRUK WANNEER HET SPUITEN VOLTOOID IS EN VÓÓR HET REINIGEN, ONDERHOUD OF TRANSPORT.

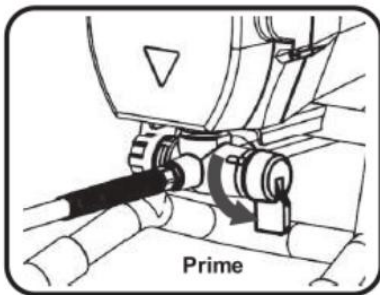


RISICO VAN HUIDINJECTIE. RICH HET PISTOOL NIET EN SPUIT NIET OP PERSOON OF DIER. PLAATS HET NIET VOOR DE SPUITMOND.

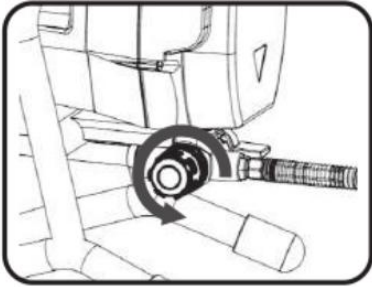
1. Zet de AAN/UIT-schakelaar (B) op UIT positie en trek de stekker uit het stopcontact.



14. Zet de Prime/Spray-schakelaar op PRIME positie.



3. Stel de drukregelknop (D) in op de laagste drukinstelling (ROLL)

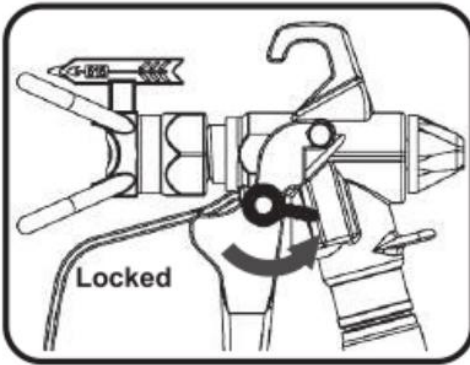


4. Als u een afval- of oplosmiddelemmer gebruikt, zorg er dan voor dat de emmer goed gevuld is is van metaal en is goed geaard. Klem één uiteinde vast van een aardedraad naar de emmer en het andere uiteinde naar a een goede ondergrond, zoals een metalen waterleiding.

5. Richt het spuitpistool in het geaarde afval of oplosmiddelemmer terwijl u een metalen onderdeel van de emmer vasthoudt spuitpistool stevig tegen de zijkant van de emmer om te behouden aardcontinuïteit van het pistool en de emmer, en bedien vervolgens de trekker meerdere keren totdat er druk in de slang is ontlast



12. Schakel de trekervergrendeling in nadat er druk is uitgeoefend opgelucht.



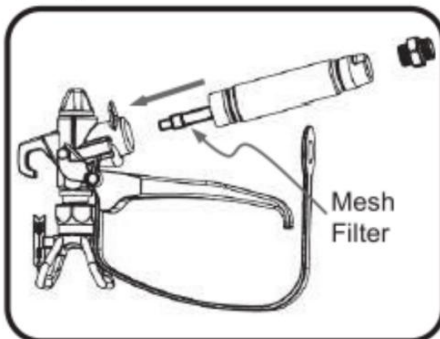
7. Laat de Prime/Spray-schakelaar in de Prime-positie staan totdat u klaar bent om opnieuw te spuiten.

8. Als u vermoedt dat de spuittip of slang verstopt is, of die druk is daarna niet volledig verlicht door deze stappen te volgen, **ZORGVULDIG EN LANGZAAM** draai de borgmoer van de tipbeschermer of het slanguiteinde los koppeling om de druk geleidelijk te ontlasten en vervolgens los te maken volledig voordat u probeert de eventuele op te ruimen obstructie.

## OPGERICHT

Items tussen haakjes () verwijzen naar de functie identificatietekening in de vorige sectie.

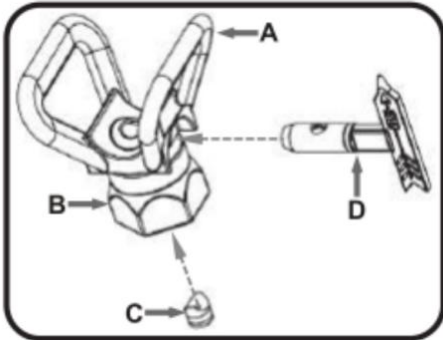
Opmerking: Het spuitpistool wordt gemonteerd uit de doos geleverd fabriek. Als het pistool is gedemonteerd voor schoonmaken volg de onderstaande stappen om het weer in elkaar te zetten.



37. Plaats het gaasfilter in de handgreep (T) en lijk het uit het handvat met het bovenlichaam van het spuitpistool.

38. Terwijl u het bovenlichaam van het spuitpistool vasthoudt, draait u de hendel (T) vast met een sleutel.

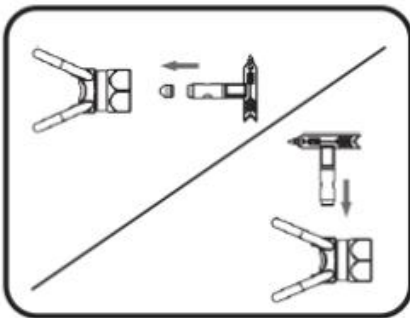
39. Plaats de handgreepbeschermer over het gat op de onderkant van het handvat en zet het vervolgens vast met behulp van de slanginlaatpoort (V)-adapter en twee sleutels.



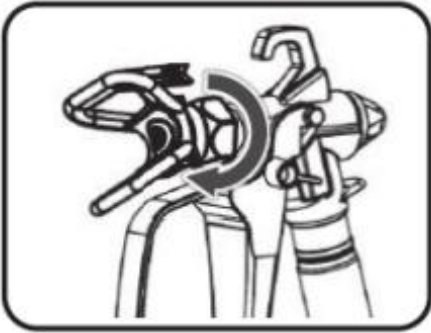
40. De Gun Tip en Guard bestaat uit het volgende componenten:

- A. Mondstuktipbeschermer
- B. Borgmoer voor mondstuktipbeschermer
- C. Metalen zitting met rubberen pakking
- D. Spuittip

41. Gebruik de spuittip van het mondstuk om de metalen zitting met rubberen pakking in de tipbeschermer van het mondstuk te installeren.

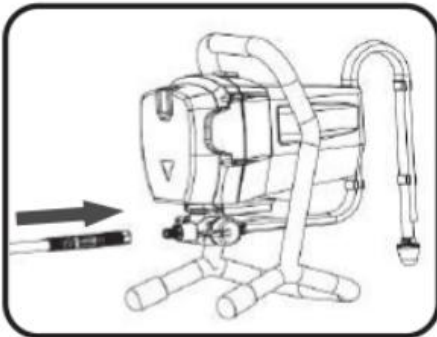


42. Installeer de spuittip in de spuittip Bewaker.

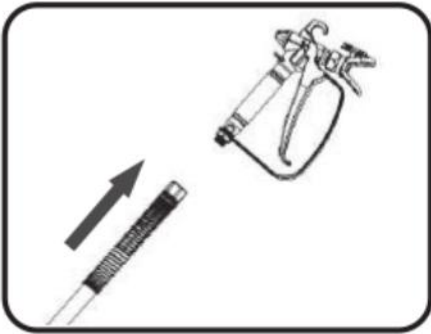


7. Draai de borgmoer van de spuitmondtipbeschermer erop de voorkant van het bovenste spuitpistoollichaam en draai vast met een sleutel.

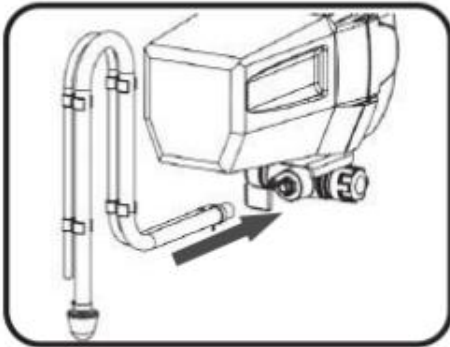
8. Haal het apparaat uit het stopcontact, rol het uit en sluit het aan Hogedrukverfslang (M) naar de uitgangspoort (E). Gebruik een sleutel om de fitting correct vast te draaien.



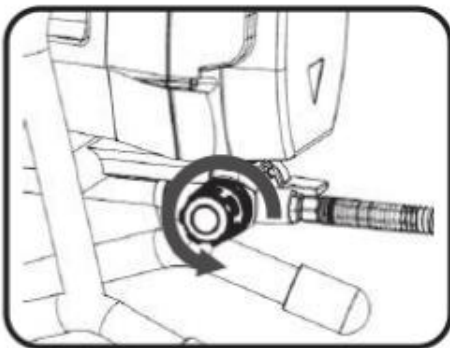
15. Sluit het andere uiteinde van de hogedrukverf aan Slang (M) naar de pistoolinlaatpoort (V) op de spuitpistoolgreep (T). Gebruik hiervoor een paar sleutels draai de fitting goed vast



10. Sluit de zuigbuis (J) en primeruitgang aan Buis (H) vervolgens naar de achterkant van het klephuis installeer het inlaatscherm (K). Veilig op zijn plaats met behulp van de meegeleverde slangklemmen.

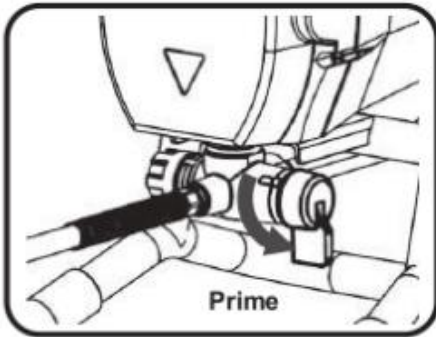


11. Zet de drukregelknop (D) op de Prime/Clean-positie.



12. Zet de spuit-/prime-schakelaar (F) op Prime Positie.



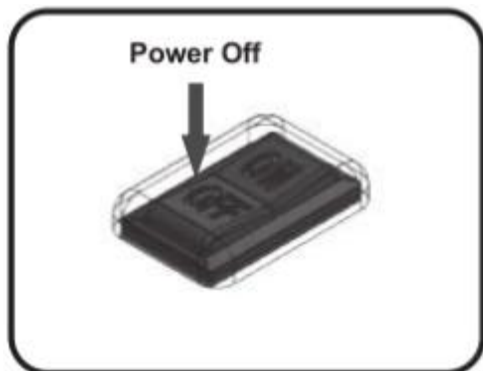


## **VULLEN EN SPOELEN**

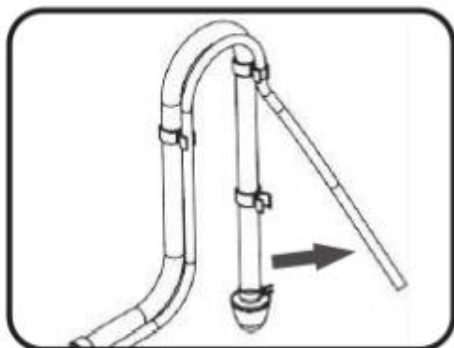
Vóór elk gebruik moet het spuitapparaat worden gevuld en gespoeld om de opslagvloeistof uit het spuitapparaat te verwijderen. Volg deze richtlijnen bij het vullen en spoelen:

- Gebruik water om het systeem grondig door te spoelen als u materialen op waterbasis gaat spuiten.
- Gebruik een compatibel spoeloplosmiddel op oliebasis of terpentijn om het systeem grondig door te spoelen als u materialen op oliebasis gaat spuiten.
- Als u overstapt van spuiten op oliebasis naar spuiten op waterbasis, spoel het systeem dan eerst grondig door met water. Het water dat uit de primeruitlaatbuis (H) stroomt, moet helder zijn en vrij van oplosmiddelen voordat u begint met het spuiten van het materiaal op waterbasis. Als u overstapt van spuiten op waterbasis naar spuiten op oliebasis, spoel het systeem dan eerst grondig door met een compatibel spoeloplosmiddel op oliebasis of terpentijn. Het oplosmiddel dat uit de primeruitlaatbuis (H) stroomt, mag geen water bevatten.
- Gebruik altijd een geaarde metalen afval- of oplosmidelemmer.
- Zie het gedeelte Elektrische veiligheid.
- Richt het pistool altijd op de binnenwand van de afval- of oplosmidelemmer om te voorkomen dat vloeistof terugspat op uw huid of in uw ogen.

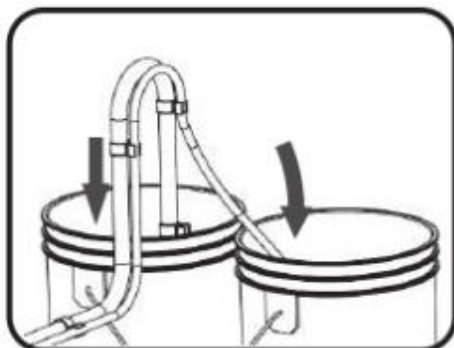
13. Zet de AAN/UIT-schakelaar (B) op UIT positie en haal de stekker uit het stopcontact.



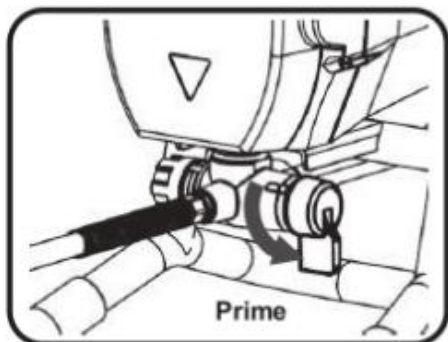
14. Maak de primeruitvoerbus (H) los van de primer de Zuigbuis (J).



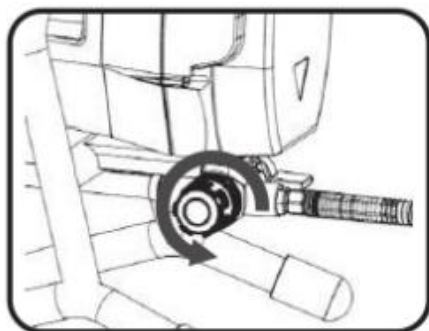
3. Plaats de primeruitvoerbus (H) in een geaarde afval/oplosmidelemmer en plaats de aanzuigbuis (J) met inlaatscherm (K) in een emmer die water of spoeloplosmiddel bevat (bepaald door de hierboven besproken richtlijn).



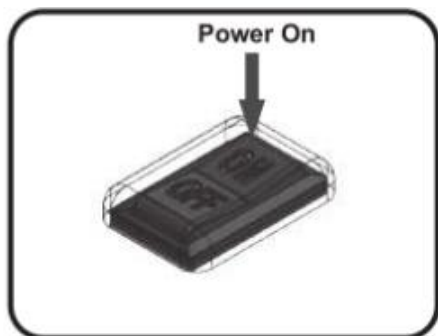
4. Controleer of de spuit-/vulschakelaar (F) in de stand staat Eerste positie.



5. Zet de drukregelknop (D) op de Prime/Clean-positie.

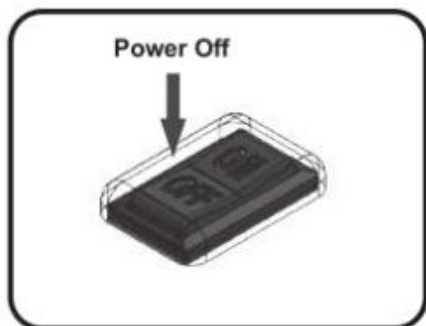


6. Sluit de spuit aan op een geaard stopcontact en draai hem om de AAN/UIT-schakelaar (B) in de AAN-positie.

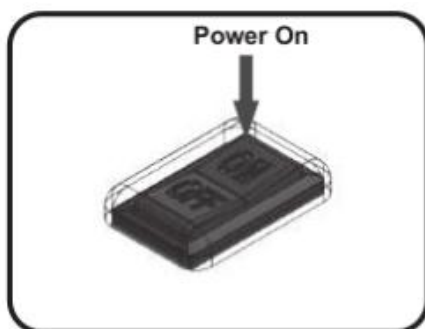
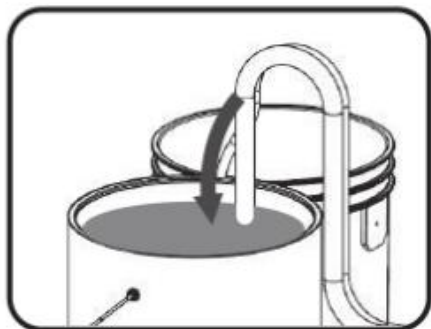


7. De veldspuit begint water te pompen of te spoelen oplosmiddel. Lucht en opslagolie worden uit de systeem. Laat de vloeistoffen blijven bestaan gedurende 30 minuten uit de Primer-uitvoerbuï (H) afgevoerd tot 60 seconden en schakel

vervolgens de stroom AAN/UIT Schakelaar (B) in de UIT-positie.



8. Verwijder de aanzuigbuis (J) en het inlaatscherm (K) uit de emmer die water of spoeloplosmiddel bevat (stap 3) en plaats deze in de container met de verf die u gaat gebruiken.

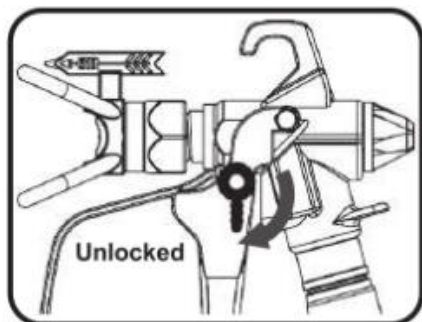


9. Zet de AAN/UIT-schakelaar (B) AAN.

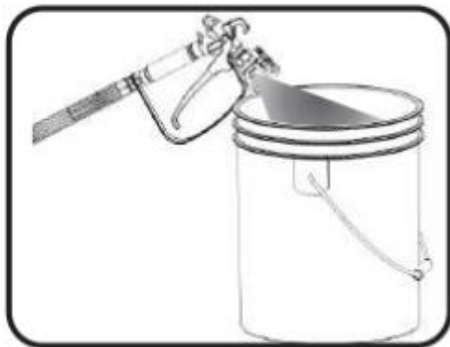
10. De verf begint door de zuiging te worden gepompt Buis (J) en zal beginnen te ontladen de Primer-uitvoerbus (H) en in de afval-/oplosmidelemmer.

11. Houd het spuitpistool in en tegen de afval-/oplosmidelemmer.

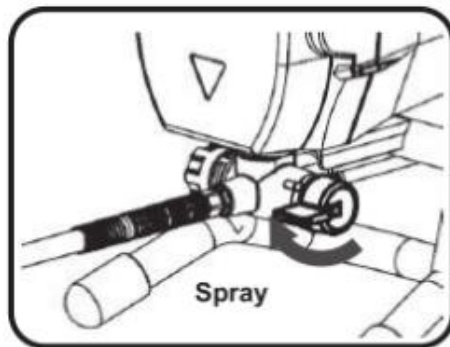
12. Ontgrendel de trekkervergrendeling.



19. Trek de trekker over en houd deze ingedrukt.

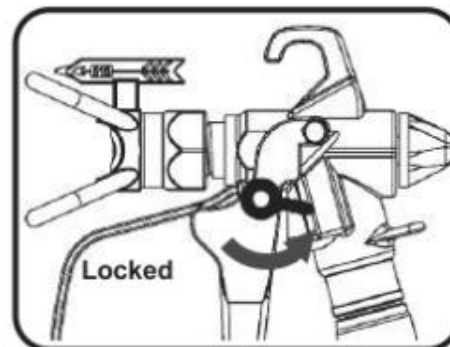


14. Zet de spray-/prime-schakelaar (F) op Spray positie.

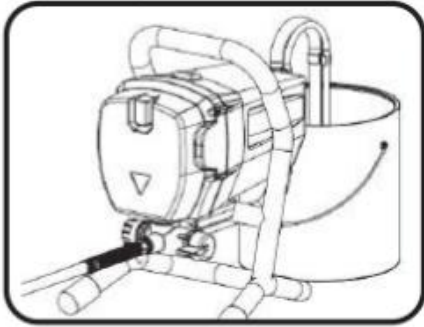


15. Blijf de trekker ingedrukt houden terwijl u het pistool richt in de afval-/oplosmiddelemmer totdat er alleen maar verf overblijft uit het geweer komen.

16. Laat de trekker los en schakel de trekkervergrendeling in



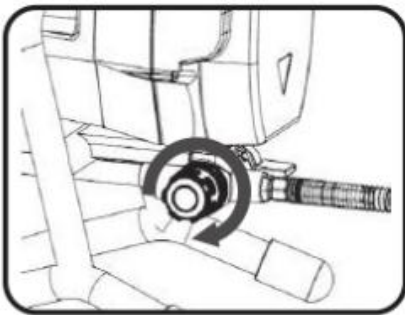
23. Verplaats de primeruitvoerbuiss (H) naar de verf container en klem deze vast aan de zuigbuis (J).



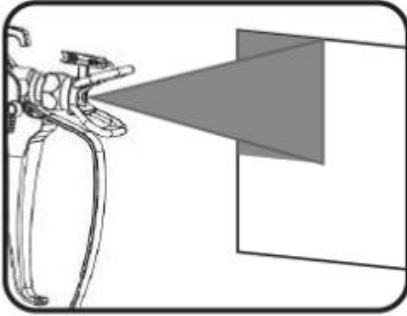
LET OP: De motor stopt, wat de pomp aangeeft en slang zijn voorzien van verf en onder druk. Als \_ de motor blijft draaien, de veldspuit niet Correct klaargemaakt. Om opnieuw te vullen, draait u de spuit-/prime-schakelaar (F) naar de Prime-positie en herhaalt u alle stappen vanaf het begin bij stap 9.

### **SCHILDEREN**

31. Zet de drukregelknop (D) op een middelhoge druk.

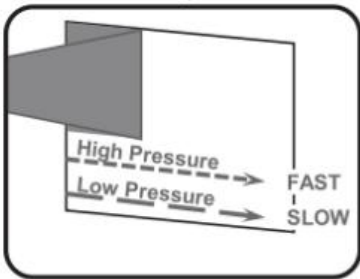


32. Test deze drukinstelling op een stukje afvalmateriaal materiaal.



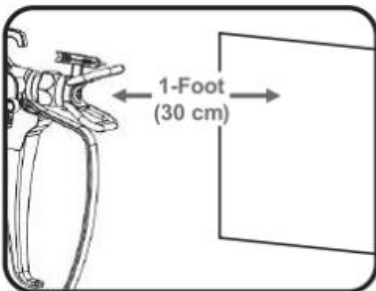
33. Pas de drukregelknop (D) aan tot a gladde en gelijkmatige consistentie is bereikt.

34. Spuit een test op een restje restmateriaal patch en beoordeelt de snelheid van de vereiste slag voor de drukinstelling. Een lagere druk zal dat wel doen vereisen een lagere snelheid, en een hogere druk zal dat wel doen vereisen een hogere slagsnelheid.

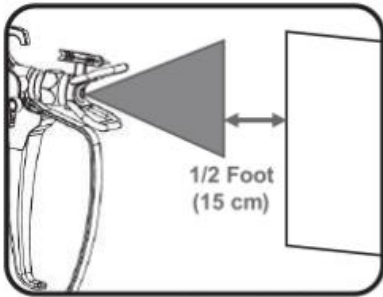


OPMERKING: De kwaliteit van het te schilderen oppervlak zal dat wel doen hebben een groot effect op het spuitresultaat. Het oppervlak het schilderen moet vooraf goed worden voorbereid beginnen te spuiten.

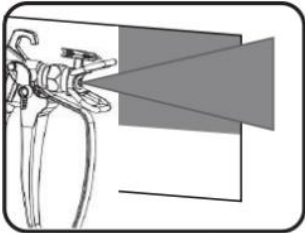
## **SPUITTECHNIEK**



7. Houd een afstand van ongeveer 30 cm aan het te spuiten oppervlak.

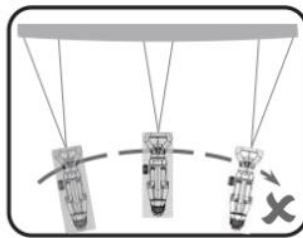
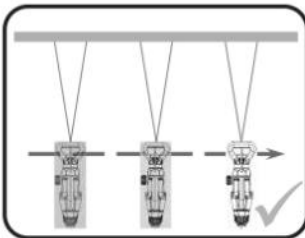


2. Begin met de beweging van de slag voordat u de trekker overhaalt en begin op ongeveer 15 cm afstand van de rand van het gebied dat wordt bespoten



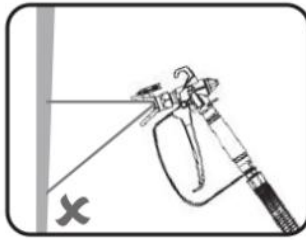
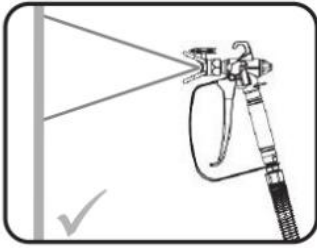
3. Laat de trekker eenmaal los voorbij de tegenoverliggende rand van het te bespuiten oppervlak.

4. Beweeg het pistool met de hele arm, zonder te buigen uw pols om een gelijkmatig spuitpatroon te garanderen.

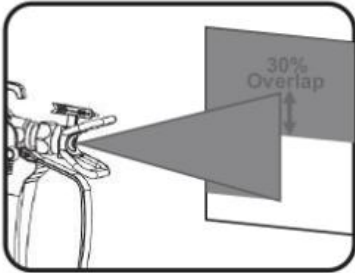


35. Houd het spuitpistool in een rechte hoek ten opzichte van het oppervlak wordt geschilderd.





6. Overlap elke streek met 30% om een gelijkmatige dekking te garanderen.

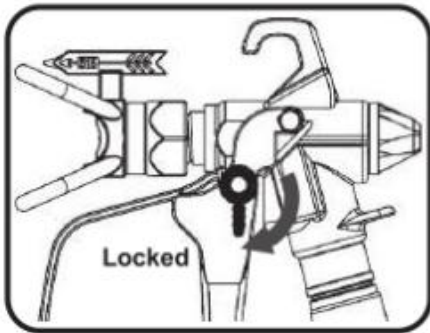


Andere nuttige tips

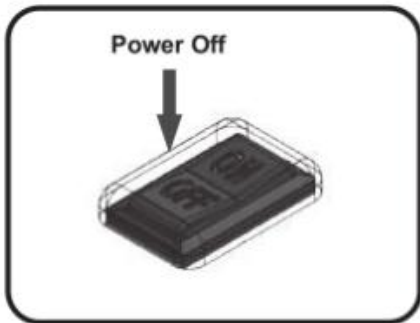
- Buiten spuiten op een winderige dag kan leiden tot slechte resultaten. Wacht tot er geen wind is en de het weer is bevredigend.
- Breng één laag per keer aan en laat het drogen volledig voordat u nog een laag aanbrengt.
- Vermijd stoppen en starten, wat zal resulteren in een fragmentarische afwerking. Begin op één rand van een oppervlak en eindig net voorbij de tegenoverliggende rand. Vermijd stoppen het midden van een oppervlak, wat kan resulteren in een ongelijkmatige afwerking .

### **DE SPUITTIP ONTSLUITEN**

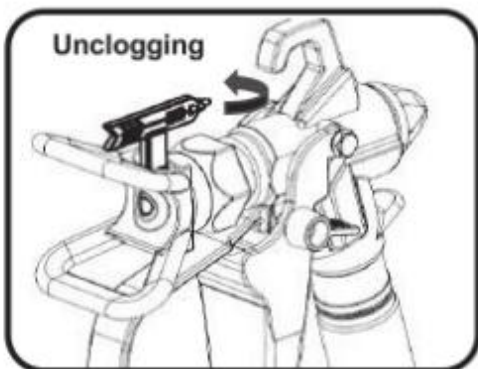
- De spuittip van het mondstuk (P) kan af en toe beschadigd raken verstopt met verf. Volg deze instructies om een verstopte spuittip:
  1. Laat de trekker los en schakel de trekkervergrendeling ( S ) in



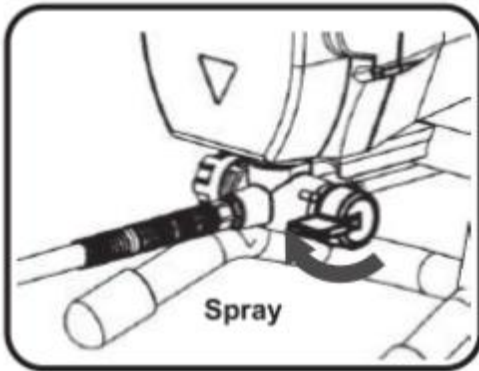
2. Zet de AAN/UIT-schakelaar (B) op UIT positie en trek de stekker uit het stopcontact.



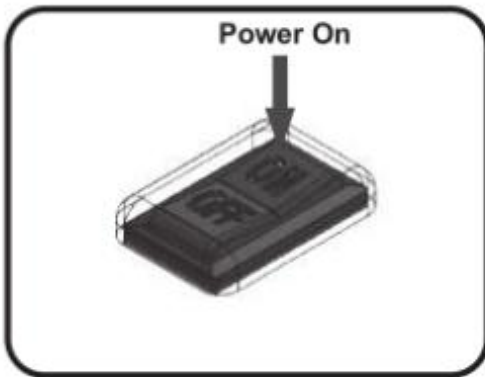
3. Draai de spuittip (P) zodat de pijl naar de achterkant van het pistool wijst.



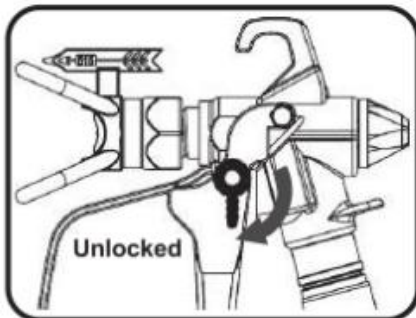
4. Zet de spuit-/vuilschakelaar (F) in de stand Spuiten.



5. Zet de AAN/UIT-schakelaar (B) in de AAN-positie.

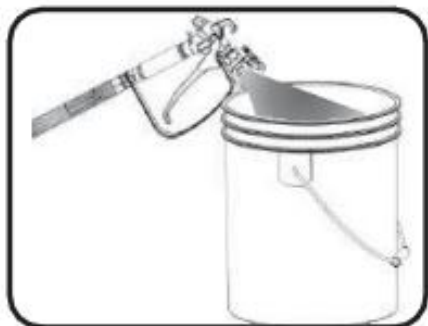


6. Schakel de trekkervergrendeling (S) uit.

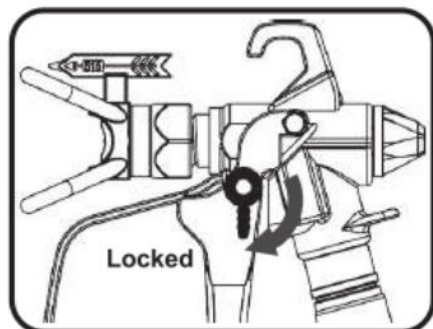


7. Richt het spuitpistool op een geaarde afval- of oplosmiddelemmer terwijl u een metalen onderdeel van het spuitpistool stevig tegen de zijkant van de emmer

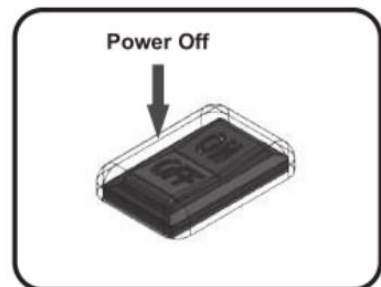
houdt om de aarding van het pistool en de emmer te behouden. Bedien vervolgens de trekker verschillende keren om de verstopping te verwijderen.



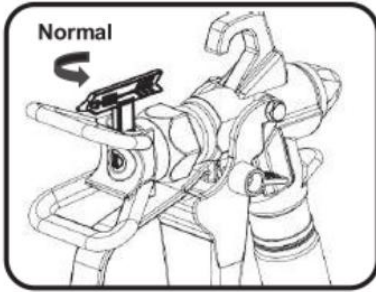
8. Laat de trekker los en schakel de trekkervergrendeling(en) in.



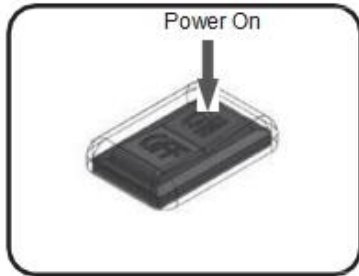
9. Zet de AAN/UIT-schakelaar (B) in de UIT-stand en haal de stekker uit het stopcontact.



10. Draai de spuittip (P) zodat de pijl naar de voorkant van het pistool wijst.



11. Zet de AAN/UIT-schakelaar (B) in de AAN-positie.



## **SCHOONMAAK**

### **KENNISGEVING**

**SCHOON NA GEBRUIK NAAR VOORKOMEN PERMANENT SCHADE NAAR DE SPUITMACHINE.**

**RETOUREN NIET GEACCEPTEERD & GARANTIE LEEGTE ALS SPUITMACHINE IS NIET DIRECT GOED REINIGD NA ELK GEBRUIK.**

## **GEBRUIK DE JUISTE REINIGINGSVLOEISTOF**

Als de verf wezen gebruikt was water gebaseerd (acryl verf), gebruik ALLEEN WATER wanneer het uitvoeren van de schoonmaak procedure.

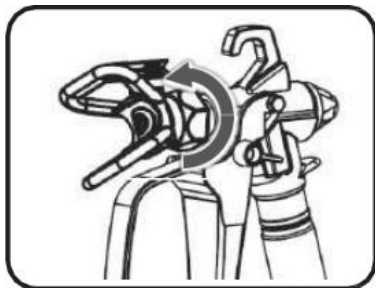
OPMERKING• GEBRUIK VAN OPLOSMIDDELEN SCHOONMAAKMIDDEL OP OP WATERGEBASEERD VERVEN ZULLEN RESULTAAT IN A SUBSTANTIE DAT ZULLEN ZIJN EXTREEM MOEILIJK NAAR SCHOON.

Als de verf of coating materiaal wezen gebruikt was op olie gebaseerd (glazuur verf, lak, enz.), zie de coating materiaal etiket of MSDS naar bepalen wat oplosmiddel naar gebruik. Deze op oplosmiddelbasis schoonmaak vloeistoffen zijn veilig in gebruik in de luchtloos spuiters:

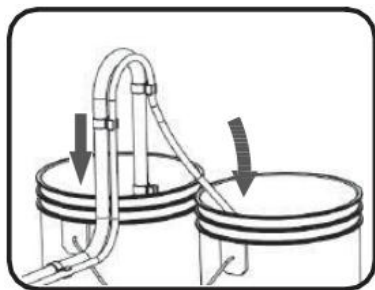
- Mineraal Terpentijn
- Verf Dunner

## **HET SPUITAPPARAAT REINIGEN**

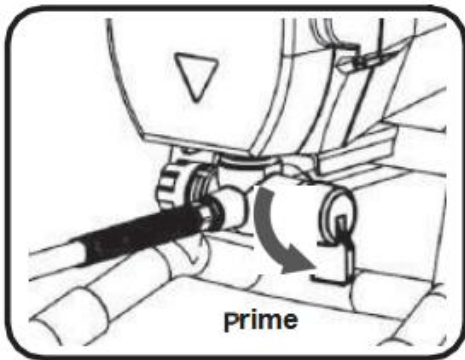
1. Begin **ONMIDDELLIJK** na gebruik met het reinigen van het spuitapparaat door de **DRUKONTLASTINGPROCEDURE** op 9 te volgen.
2. Gebruik een sleutel om de spuittipbeschermer (Q) en de spuittip (P) van het pistool te verwijderen en plaats deze in de reinigingsvloeistof.



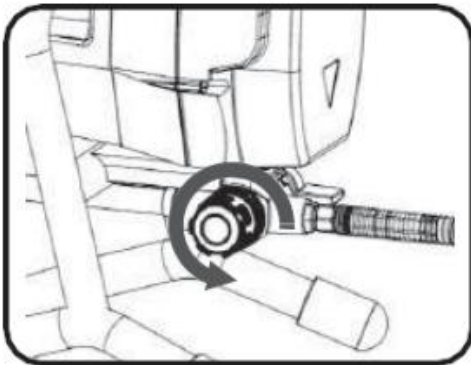
3. Maak de primeruitvoerbus (H) los van de aanzuigbuis (J). Plaats de primeruitvoerbus (H) in een afvallemmer, en de aanzuigbuis met inlaatscherm (K) in een emmer die water of spoeloplosmiddel bevat (lees het gedeelte getiteld **GEBRUIK DE JUISTE REINIGINGSVLOEISTOF** zoals hierboven besproken) .



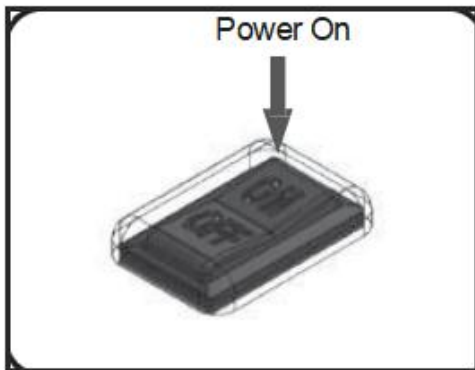
4. Controleer of de spuit-/prime-schakelaar (F) in de prime-positie staat.



5. Zet de drukregelknop (D) in de stand Voorvullen/reinigen.

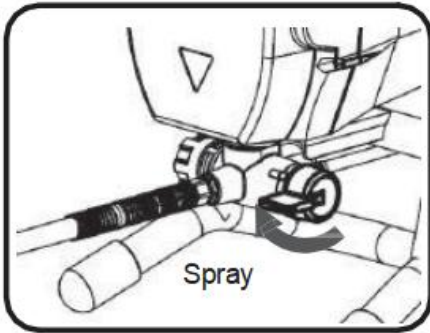


6. Zet de AAN/UIT-schakelaar (B) in de AAN-positie.

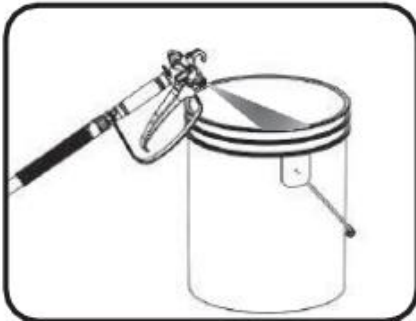


7. Zodra er een gestage stroom reinigingsvloeistof uit de primeruitvoerbuïs (H)

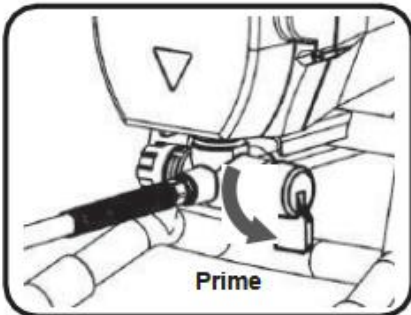
stroomt, zet u de spuit-/prime-schakelaar (F) in de spuitstand.



8. Richt het spuitpistool in de afvallemmer terwijl u een metalen onderdeel van het spuitpistool stevig tegen de zijkant van de emmer houdt om de aardverbinding tussen het pistool en de emmer te behouden. Bedien vervolgens de trekker totdat de enige vloeistof die het pistool verlaat reinigingsvloeistof is. .

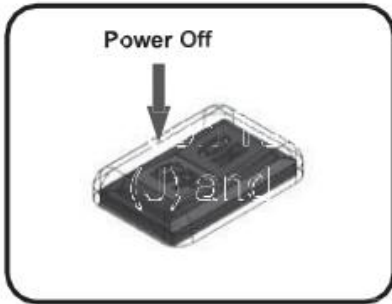


9. Zet de spuit-/prime-schakelaar (F) in de prime-positie en herhaal vervolgens stap 7 en 8 totdat alleen de reinigingsvloeistof uit het spuitapparaat komt.





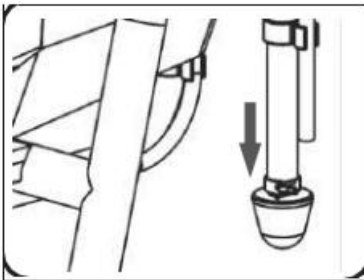
10. Zet de AAN/UIT-schakelaar (B) in de UIT-stand en haal de stekker uit het stopcontact.



### **DE INLAATSLANG REINIGEN**

7. Verwijder het scherm (K) van de zuigbuis (J) door de slangklem los te maken en deze van het filter af te bewegen.

2. Trek het inlaatscherm (K) naar buiten en spoel het af met de juiste reinigingsvloeistof.

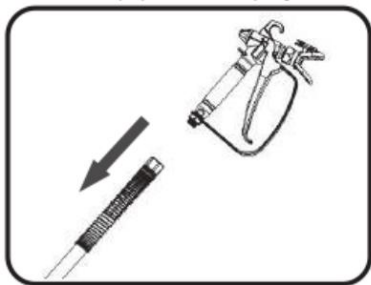


3. Als het inlaatscherm ( K) niet kan worden gereinigd, vervang het dan door een nieuw inlaatscherm.

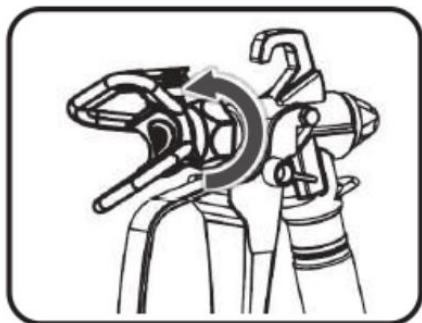
### **HET SPIJTPISTOOL REINIGEN**

1. Volg de DRUKONTLASTINGPROCEDURE op 9.

2. Gebruik een paar sleutels en verwijder de hogedrukslang (M) van het spuitpistool.

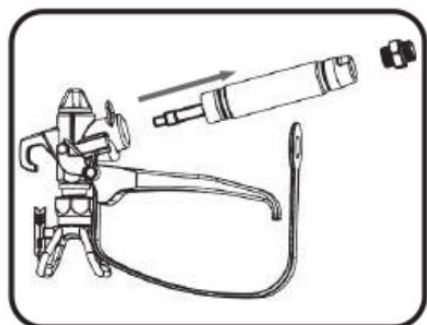


3. Gebruik een sleutel om de spuittipbeschermer (Q) en de spuittip (P) van het pistool te verwijderen en plaats deze in de reinigingsvloeistof.



4. Gebruik een sleutel en verwijder de inlaatpoort (V) van het pistool.

5. Haal de handgreepbeschermer uit de weg en gebruik een sleutel om de handgreep (T) van het bovenlichaam van het spuitpistool te verwijderen.



6. Verwijder het gasfilter uit de handgreep (T) en plaats het in de reinigingsvloeistof.

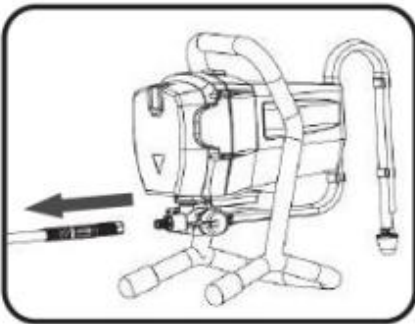
7. Gebruik een zachte borstel om alle onderdelen in de reinigingsvloeistof schoon te maken.

8. Zodra het reinigen is voltooid, zet u het spuitpistool weer in elkaar.

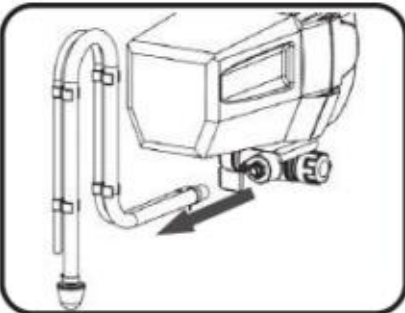
## **HET SPUITAPPARAAT OPBERGEN**

Het is heel belangrijk dat het spuitapparaat NIET wordt opgeslagen met water of materialen op waterbasis in de pomp, slang, buizen of spuitpistool. Water dat in deze onderdelen achterblijft, zal corrosie veroorzaken en deze beschadigen. Volg deze procedures om het spuitapparaat op te bergen.

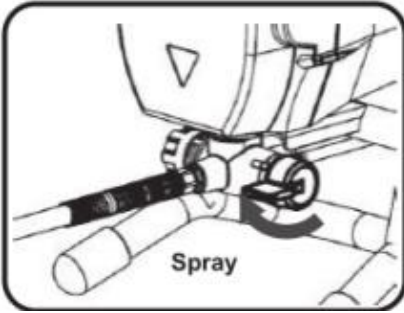
25. Voordat u het spuitapparaat opbergt, volgt u de stappen voor het reinigen van het spuitapparaat en het spuitpistool.



26. Verwijder de hogedrukslang van het spuitapparaat.



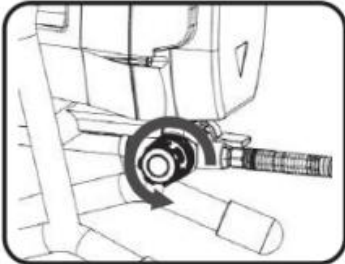
27. Verwijder de primeruitvoerbuiss (H) en de aanzuigbuis (J) met inlaatscherm (K) van de pomp.



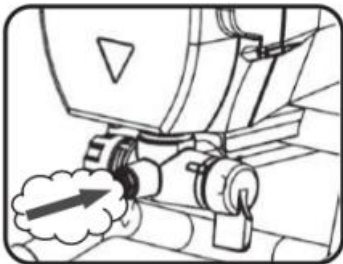
28. Terwijl het spuitapparaat omgedraaid is, voegt u 30 ml multifunctionele lichte machineolie, zoals naaimachineolie of ISO 22-olie, toe aan zowel de aanzuigbuis (J) als de primeruitvoerbus (H).

5. Zet de spuit-/vulschakelaar (F) in de spuitstand.

6. Zet de drukregelknop (D) in de stand voor laag spuiten.



7. Gebruik een doek om de uitgangspoort (E) af te dekken.



8. Zet de AAN/UIT-schakelaar (B) gedurende VIJF SECONDEN in de AAN-positie en zet vervolgens de AAN/UIT-schakelaar (B) in de UIT-positie.


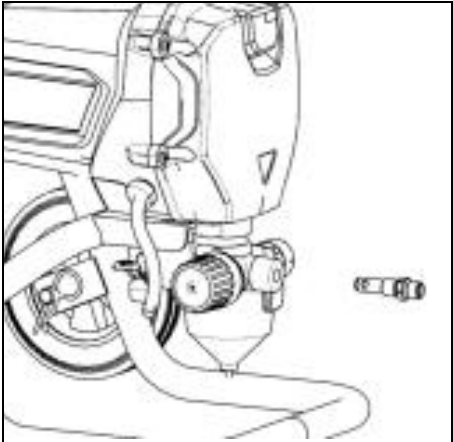



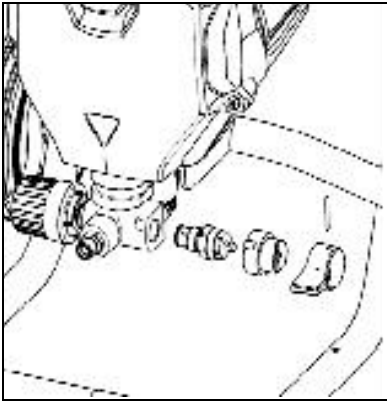

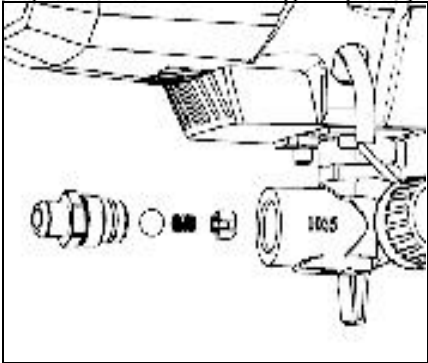
9. Zet de spuit-/prime-schakelaar (F) in de prime-positie om ervoor te zorgen dat de olie in het systeem blijft terwijl deze wordt opgeslagen.
10. Plaats de primeruitvoerbus (H) en de aanzuigbuis (J) terug op de pomp.
11. Veeg het spuitapparaat af met een schone doek en bewaar het buiten bereik van kinderen.

### **Spuittips**

Reinig de tips altijd met een compatibele reinigingsvloeistof en borstel ze daarna af spuiten. De tips moeten mogelijk na 57 liter (15 gallon) worden vervangen of kunnen tot 227 liter (60 gallon) meegaan, afhankelijk van de abrasiviteit van de verf.

Lijst met vervangende onderdelen

ITEM	Deel	Hoe u de onderdelen kunt verfijnen
1	Afvoerklipsamenstel 	Gebruik een sleutel om de afvoerklep los te draaien 

<p>2</p>	<p>Overdrukventielsamenstel</p> 	<p>Sla de cilindrische pen eruit, verwijder de schakelknop en de schakelaarzitting en gebruik vervolgens een verstelbare sleutel om het overdrukventiel los te schroeven.</p> 
<p>3</p>	<p>Montage van de voedingsklep</p> 	<p>Verwijder de aangesloten toevoerleiding, draai vervolgens de toevoerschroefplug los met de verstelbare sleutel en verwijder de stalen kogel van de toevoerklep, de toevoerveer en de toevoerveerzitting.</p> 

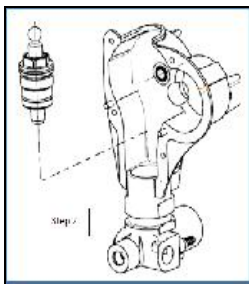
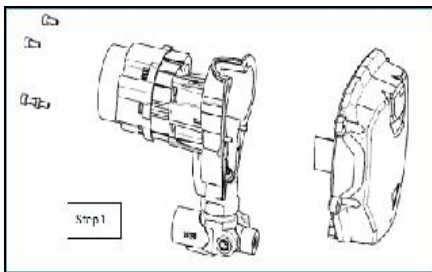
4

## Plunjer montage



1. Gebruik de inbusleutel aan de andere kant 5 om de 4 zeskantige schroeven los te draaien om het pomplichaam en het pompdeksel van elkaar te scheiden.

2. Gebruik de verlenghuls aan de andere kant 22 om de plunjerconstructie te verwijderen.



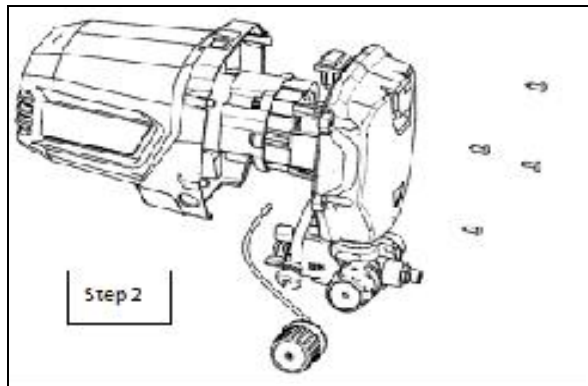
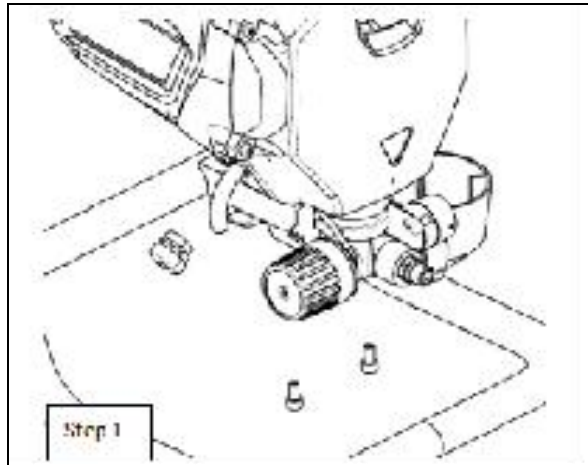
5

Overdrukventielsamenstel



7. Verwijder het netsnoer zonder het eraf te trekken, draai de twee schroeven aan de onderkant los en verwijder de pompkop van het frame.

2. Draai de vier parkers op het pompdeksel los en scheid het achterhuis en het pompdeksel van elkaar. Koppel de kabel van de drukregelaarklep los. Draai het drukregelventiel tegen de klok in om het bajonetoppervlak bloot te leggen, en gebruik een verstelbare sleutel om het overdrukventiel los te schroeven.





## **Materiaalcompatibiliteit - Materiaal en verf die kunnen worden gebruikt**

**MATERIAAL OP WATERBASIS:** Alle spuittoestellen KUNNEN worden gebruikt met materialen op waterbasis voor binnen en buiten. Spoel uw spuitapparaat met water voordat u materialen op waterbasis gaat spuiten.

Voorbeeld: Houtlak, Latex, Vlekken...

**OP OLIE GEBASEERD MATERIAAL:** Alle spuittoestellen KUNNEN worden gebruikt met op olie gebaseerde binnen- en buitenmaterialen. Het materiaallabel geeft BRANDBAAR aan en kan worden gereinigd met terpentijn of verfdunner. Voordat u gaat spuiten met materialen op oliebasis, spoelt u uw spuitapparaat met terpentijn.

Voorbeeld: Acryl, Decoratieve verf...

## **Materiaalcompatibiliteit - Materiaal en verf die niet kunnen worden gebruikt**

### **OPLOSMIDDELGEBASEERD BRANDBAAR MATERIAAL**

**MATERIALEN DIE TE DIK ZIJN** - vereisen een groter commercieel airless- of textuurspuittoestel

- Dek- en betonrestauratie
- Elastomeer
- Dakcoating - sealer, verf of primer
- Epoxy voor beton of sneldrogend 1 of 2 componenten materiaal
- Twee componenten materiaal zoals hechtprimer, garagevloerverf
- Opritaafdichter
- Textuur of zandgevuld materiaal
- Gips
- Materialen zoals kalksteen, glas, klei en kwarts, zoals speciaal metselwerk, stucwerk en baksteenverf
- Metallic lak
- Magneetverf of primer

### **GEVAARLIJKE STOFFEN**

- Verf- en vlekafbijtmiddel
- Bleekmiddel of enig ander materiaal dat bleekmiddel bevat
- Herbicide
- Insecticide of pesticide

- Desinfectiemiddel

## **ONDERHOUD & REPARATIE**

### **DAGELIJKS ONDERHOUD**

De levensduur van apparatuur houdt rechtstreeks verband met de kwaliteit van het onderhoud. Volg deze richtlijnen om een lange levensduur van de apparatuur te garanderen.

Volg altijd direct na gebruik de reinigingsprocedure. Verf of water dat in de apparatuur achterblijft, veroorzaakt verstoppingen of corrosie waardoor de unit niet meer werkt.

Gebruik de Drukontlastingsprocedure bij het uitschakelen, afstellen, uitvoeren van onderhoud of reparatie.

Zorg ervoor dat u of een andere operator deze handleiding heeft gelezen en begrepen voordat u de apparatuur gebruikt.

Rol de hogedrukslang na het reinigen op om beschadigingen te voorkomen.

Voeg regelmatig lichte multifunctionele machineolie, zoals naaimachineolie of ISO 22-olie, toe aan het spuitapparaat, zoals beschreven in het gedeelte getiteld Het opbergen van het spuitapparaat, als het voor langere tijd wordt opgeslagen.

### **REPARATIE**

- Laat uw elektrische gereedschap onderhouden door een gekwalificeerde reparateur die uitsluitend identieke vervangingsonderdelen gebruikt. Hierdoor wordt gegarandeerd dat de veiligheid van het elektrische gereedschap behouden blijft.
- Houd alle schroeven, moeren, ringen, pakkingen en elektrische aansluitingen verwijderd tijdens reparaties. Deze onderdelen worden doorgaans niet meegeleverd met vervangingssets.
- Bekijk het gedeelte Probleemoplossing om eventuele problemen te helpen identificeren.
- Bedien het spuitapparaat niet zonder dat de motorkap op zijn plaats zit. Vervang indien beschadigd. De motormantel leidt koellucht rond de motor om oververhitting te voorkomen en isoleert de besturingskaart om onbedoelde schokken te voorkomen.

## CAUTION

- Do not run the sprayer dry for more than 30 seconds. Doing so could damage the pump packing **seals**.
- Protect the internal drive parts of the sprayer from water. Openings in the cover allow for air cooling of both the mechanical parts and electronics. If water enters these openings, the sprayer may malfunction or be permanently damaged.
- Prevent corrosion or freezing of the pump to avoid damage. Fluids that freeze within the sprayer or High-Pressure hose will cause permanent damage. Always store the sprayer with a multi-purpose light machine oil such as sewing machine oil or ISO 22 oil added to the sprayer pump as described in the section titled Storing the Sprayer.

## SPRAYTIP SELECTIE

Spuittips zijn zo genummerd dat:

### SPRAYTIP SELECTIE

- Het eerste cijfer, vermenigvuldigd met twee, geeft de spuitbreedte in inches (met de spuittip op een afstand van 30 cm van het te spuiten oppervlak).
- De laatste twee cijfers geven de grootte van de opening aan in duizenden inches (Opmerking: een grotere opening verhoogt de verfstroom).
- De volgende aanbevolen openingen voor de spuittip zijn geschikt voor verschillende soorten coatingmateriaal: Lak en beits: 0,007" — 0,013" E-maille: 0,011" — 0,015" Acryl: 0,015" — 0,021"

**MONDSTUK SPIUTEN TIP SELECTIE GRAFIEK**

Opening Maat (Inches)

Spuiten Breedte (Inches)		0,007"	0,009"	0,011"	0,013"	0,015"	0,017"	0,019"	0,021"	0,023"	0,025"	0,027"	0,029"	0,031"	0,033"	0,035"	
	2- 4	107	109	111	113	115	117	119	121				129				
	4- 6		209	211	213	215	217	219	221		225	227	229	231			235
	6- 8	307	309	311	313	315	317	319	321	323	325	327	329	331	333		335
	8- 10		409	411	413	415	417	419	421	423	425	427	429	431	433		435
	10-12 _		509	511	513	515	517	519	521	523	525	527	529	531	533		535
	12-14 _		609	611	613	615	617	619	621	623	625	627	629	631	633		635
	14-16 _			711	713	715	717	719	721	723	725	727	729	731	733		735
	16- 18				813	815	817	819	821	823	825	827	829	831	833		835
	18-20 _									923		927		931	933		935

## PROBLEEMOPLOSSEN

Probleem	Oorzaak	Oplossing
Stroom schakelaar is op, En sproeier is aangesloten in, Maar motor doet niet lopen en pompen fietst niet.	Druk Controle Knop is set bij nul druk.	Draai Druk Controle Knop met de klok mee naar drukinstelling verhogen.
	Motor of controle is beschadigd.	Hebben de sproeier onderhouden door A gekwalificeerd reparatiepersoon.
	Elektrisch uitlaat is niet het verstrekken van stroom.	Probeer een ander stopcontact of test de uitlaat met een andere apparaat of circuit tester. Opnieuw instellen de circuit breker of vervang de samensmelten.
	Verlenging koord is beschadigd.	Vervangen de verlengsnoer.
	Sproeier elektrisch koord is beschadigd.	Haal de stekker uit het stopcontact de sproeier snoer En rekening voor kapotte isolatie of draden. Vervangen als beschadigd.

	<p>Verf en/of water is bevroren of is verhard in de pomp.</p>	<p>Haal de stekker van het spuitapparaat uit het stopcontact. Als bevroren is, probeer dan niet de veldspuit te starten tot Het is volledig ontdooid of de motor, besturingskaart en/of aandrijflijn zijn permanent beschadigd.</p> <p>Ervoor zorgen de stroom schakelaar is UIT, plaats de sproeier in A warm gebied voor meerdere uur, Dan plug in de stroom koord En zet het spuitapparaat AAN.</p> <p>Langzaam toename druk instelling naar zien als de motor zullen begin.</p> <p>Als verf heeft ingehard de spuit, de pomp pakkingafdichtingen, kleppen, aandrijflijn, en/of drukschakelaar moeten zijn vervangen. Hebben de sproeier onderhouden door A gekwalificeerde reparateur.</p>
Pomp doet niet prima.	<p>Spuiten/primen Schakelaar is in Spuiten positie.</p>	<p>Draai Spuit-/prime-schakelaar naar Prime positie (wijzend omlaag)</p>
	<p>Het inlaatscherm is verstopt, of zuigkracht buis is niet ondergedompeld.</p>	<p>Schoon brokstukken van inlaat scherm En maken Zeker de zuigkracht buis is ondergedompeld in vloeistof.</p>
	<p>Pomp was niet klaargemaakt met water of spoelvloeistof op oplosmiddelbasis.</p>	<p>Zuig verwijderen buis van verf. Prime de pomp met de juiste spoelvloeistof.</p>
	<p>Inlaat ventiel rekening bal is vast.</p>	<p>Verwijder de zuigkracht buis en plaats een potlood naar binnen de inlaatgedeelte naar losmaken de bal, toestaan de pomp naar prima op de juiste manier.</p>
	<p>Inlaat ventiel rekening bal of zitplaats is vies.</p>	<p>Verwijderen inlaat passend. Schoon of vervang de bal en stoel.</p>
	<p>Uitlaat rekening bal of zitplaats is vies.</p>	<p>Verwijderen de uitlaat passend. Schoon of vervangen de bal en de stoel.</p>

Zuigkracht buis is lekt.	Draai vast de zuigkracht buis verbinding. Inspecteren voor scheuren of vacuüm lekt.
Vloeistoffen Zijn stroperig of kleverig.	Sommige vloeistoffen kunnen prima sneller als de Stroom De schakelaar is tijdelijk uitgeschakeld, zodat de pomp kan langzaam En stop. Herhaal er meerdere maal indien nodig.

<b>Probleem</b>	<b>Oorzaak</b>	<b>Oplossing</b>
Pomp cycli Maar doet niet bouwen omhoog druk.	Pomp is niet klaargemaakt.	Prime de pomp.
	Inlaat scherm is verstopt	Verwijder het vuil van het inlaatscherm en maken Zeker de zuigkracht buis is ondergedompeld in vloeistof.
	Zuigkracht buis is niet ondergedompeld in verf.	Maken Zeker de zuigkracht buis is ondergedompeld in de verf.
	Zuigkracht buis is lekt.	Draai de zuigbuisaansluiting vast. Inspecteer de buis op scheuren of vacuüm lekt. Indien gebarsten of beschadigd, vervangen de zuigkracht buis.
	Spuiten/primen Ventiel is versleten of belemmerd met puin.	Hebben de sproeier bediend door A gekwalificeerd reparatiepersoon.
	Inlaat ventiel rekening bal is vast.	Verwijder de zuigbuis en plaats een potlood naar binnen de inlaatgedeelte naar losmaken de bal, toestaan de pomp naar prima op de juiste manier.
	Inlaat ventiel rekening bal of zitplaats is vies.	Verwijderen inlaat passend. Schoon of vervang de bal en stoel.
	Uitlaat rekening bal of zitplaats is vies.	Verwijderen de uitlaat passend. Schoon of vervangen de bal en de stoel.

Pomp draait, maar verf alleen dribbelt of spurten wanneer de spuiten pistool wordt geactiveerd.	Druk set te laag.	Langzaam draai de Druk Controle Knop met de klok mee naar toename druk instelling.
	Mondstuk Spuiten Tip is verstopt.	Ontstoppen de Mondstuk Spuittip .
	Spuiten pistool filter is verstopt.	Schoon of vervangen de filter in de spuiten pistool.
	Mondstuk Spuiten Tip is te groot of <b>WOITI</b> .	Vervangen de Mondstuk Spuittip .
Druk is set bij maximaal Maar kan geen goede spray bereiken patroon.	Mondstuk Spuiten Tip is in de Ontstoppen positie.	Verlichten druk En draaien de Mondstuk Spuiten Tip Dus de pijl is wijzend weg van het handvat.
	Mondstuk Spuiten Tip is te groot voor de verf die wordt gespoten.	Selecteer A kleiner Mondstuk Spuiten Tip.
	Sproeikop Tip is versleten.	Vervangen de Mondstuk Spuittip .
	Verlenging koord is te lang of niet zwaar genoeg maat.	Vervangen de verlenging koord met A 12 AWG koord.
	Spuiten pistool vloeistof filter is verstopt.	Schoon of vervangen de spuiten pistool vloeistof filter.
	Inlaat scherm is verstopt.	Schoon brokstukken van inlaat scherm.

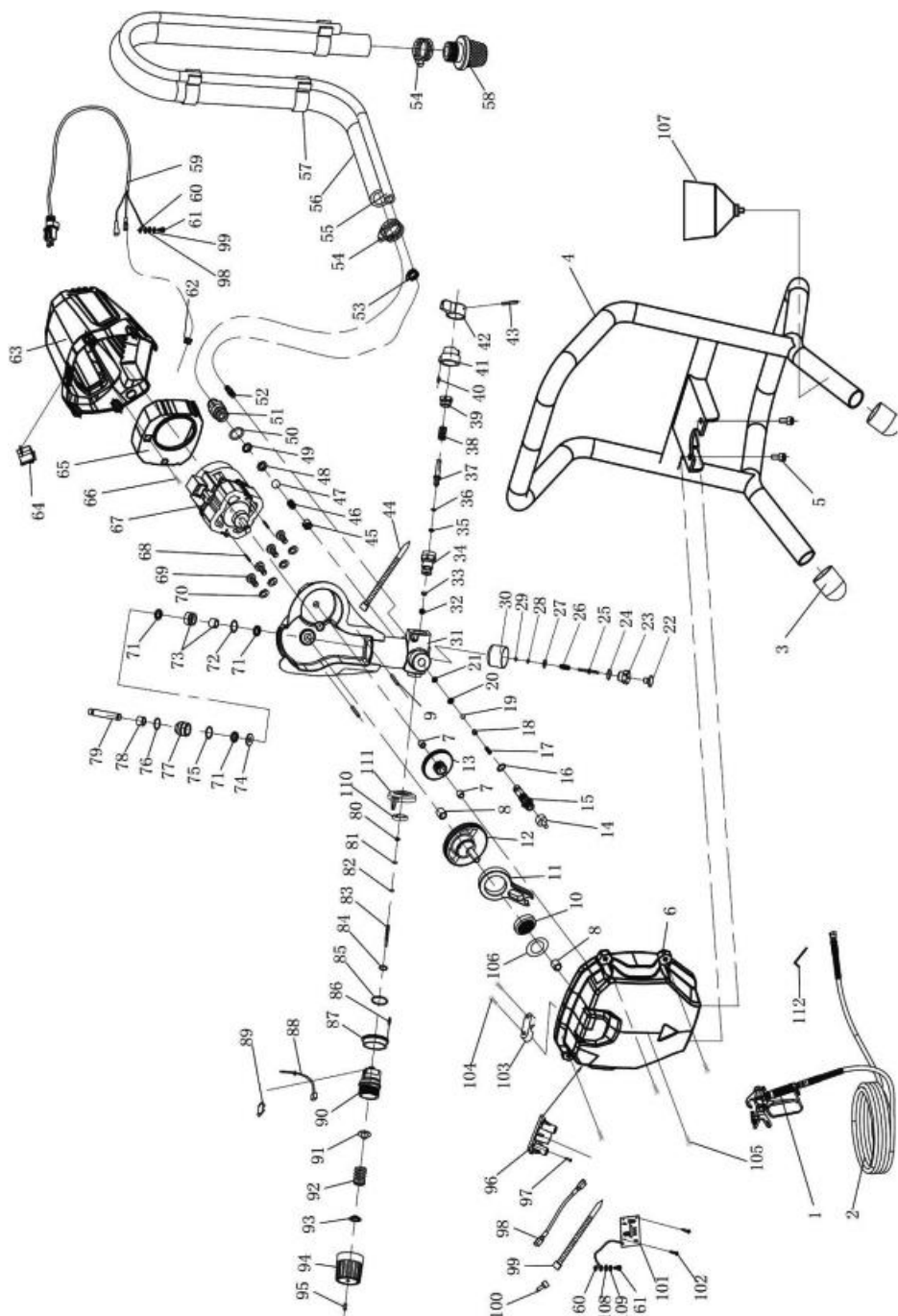
	Pomp kleppen Zijn versleten, of brokstukken verstopt de kleppen.	Naar rekening voor versleten pomp kleppen: Prime de spuit met verf. Activeer het pistool tijdelijk. Wkip de trekker is uitgegeven, de pomp moet even draaien en stop. Als Het gaat door naar fiets, Dan de pomp ventiel mag gedragen worden.
	Materiaal verf is te dik.	Dun de verf materiaal.
	Hoog druk slang is te lang.	Als een andere slang sectie heeft geweest toegevoegd, verwijder het slangverlengstuk.
<b>Probleem</b>	<b>Oorzaak</b>	<b>Oplossing</b>
Spuiten pistool gestopt spuiten.	Zuigkracht buis is lekt.	Draai de zuigkracht buis verbinding. Inspecteren de buis voor scheuren of vacuüm lekt.
	Mondstuk Spuiten Tip is verstopt.	Ontstoppen de Mondstuk Spuittip .
Verf loopt omlaag de muur of zakt.	Jas is gaan op te dik.	Beweging de pistool sneller. Kiezen A Mondstuk Spuiten Tip met A kleiner opening. Kiezen A Mondstuk Spuiten Tip met A breder fan. Ervoor zorgen A voldoende afstand (1 voet of 30 cm) van het pistool tot het geschilderde oppervlak.



<p>Dekking is te dun of gespoten verf is onvoldoende.</p>	<p>Jas is gaan op te dun.</p>	<p>Beweging de pistool langzamer. Kiezen een mondstuk Spuiten Tip mee A groter opening. Kiezen A Mondstuk Spuiten Tip met A smallere ventilator. Ervoor zorgen A voldoende afstand (1 voet of 30 cm) van het pistool tot het geschilderde oppervlak.</p>
<p>Fan patroon varieert dramatisch terwijl spuiten. OF Sproeier doet niet draai op onmiddellijk wanneer hervatten spuiten.</p>	<p>Drukregelknop is versleten En veroorzaken excessief druk variatie.</p>	<p>Hebben de spuitmachine onderhouden door A gekwalificeerd reparatiepersoon.</p>
<p>Kan niet activeren de spuiten pistool.</p>	<p>Spuiten pistool trekker slot is op slot.</p>	<p>Draaien de veiligheid in gang zetten hendel naar de ontgrendelen positie.</p>
<p>Verf is komt eraan uit van de drukregelknop.</p>	<p>Druk Controle Knop is versleten.</p>	<p>Hebben de sproeier bediend door A gekwalificeerd reparatiepersoon.</p>
<p>De spuit-/vulklep wordt in werking gesteld automatisch verlichtend druk door de Uitvoer Prime Buis.</p>	<p>Systeem is overdruk.</p>	<p>Hebben de spuitmachine onderhouden door A gekwalificeerd reparatiepersoon.</p>

Verf lekt omlaag de buiten van de pomp.	Pomp inpakken zeehonden hebben versleten.	Pomp vervangen inpakken zeehonden.
Motor is heet en loopt met tussenpozen. Motor automatisch sluit uit vanwege naar extreme hitte.	Ontluchten gaten in motor behuizing zijn aangesloten of het spuitapparaat is aangesloten bedekt.	Houden ontluchten gaten duidelijk van obstakels en overspray, en bewaar de spuit blootgelegd en open voor de lucht.
Schade kan voorkomen als oorzaak is niet gecorrigeerd.	Verlenging koord is te lang of niet zwaar genoeg maat.	Vervangen de verlenging koord met A 12 AWG koord.
	Ongereguleerde elektrisch generator gebruikt wordt is excessief Spanning.	Gebruik een elektrisch generator met A juist spanningsregelaar. Het spuitapparaat vereist een 120VAC, 60Hz, Generator van 1500 watt.

## ONDERDELENDIAGRAM



**ONDERDELEN LIJST**

Nee.	Beschrijving	Nee.	Beschrijving	Nee.	Beschrijving	Nee.	Beschrijving
1	Luchtloos Spuiten Pistool	34	Druk op. Opluchting Klepzitting _	67	Motor Montage	100	Vergrendelen Ring
2	Hoog Druk Slang	35	O-ring, 5 X 1.8	68	Pin, 3 x12	101	PCB Montage
3	Voet Pads	36	Ring	69	Hex Bout, MEVR X 14	102	Zelf Tikken Schroef
4	Baseren Kader	37	Druk op. Opluchting Ventiel Schacht	/ O	Lente Wasmachine, M5	103	Basislijn Bord
5	Hex Bout, M6 X 25	38	Lente	71	Composiet Behouden Ring	104	Bout, M4 X 20
6	Pompdeksel	39	Lente Zitplaats	72	O-ring, 22.5 X 1.8	105	Bout, M4.8 x 16
7	sm Messing Bus	40	Pin, 3 x8	73	Val	106	Rol Brg. CV.
8	LG Messing Bus	41	Schakelaar Zitplaats	74	Vlak Wasmachine	107	Koker
9	Pin, 5 X 12	42	Schakelaar Knop	75	Zegel Ring	108	Vlak Sluitting, M4
10	Rol Handelswijze	43	Pin, 2.5 x25	76	O-ring, 26.5 X 1.8	109	Lente Wasmachine, M4
11	Verbinden Hengel	44	Nylon Kabel Stropdas	77	Plunjer Zitplaats	110	Druk op. Ctl. Pakking
12	Zwengel Tandwiel	45	Inlaat Lente Houder	78	Gids Schede	111	Druk op. Ctl. Indicator Ring
13	TROS Versnelling	46	Inlaat Lente	79	Zuiger		
14	Draad Beschermer	47	Staal Bal, 12.7	80	Slot Mouw		
15	Afvoer Klepzitting _	48	Inlaat Zegel	81	Versterkt Zegel		

16	O-ring, 10 x 8	49	Inlaat Wasmachine	82	Wit Zegel		
17	Uitvoer lente	50	O-ring, 17x1,8	83	Schakelaar Schacht		
18	Doorn	51	Inlaat Haven	84	O-ring, 8,8 X 1.9		
19	Staal Bal, 6.4	52	Druk op. Opluchting Plug	85	O-ring, 27 X 2.4		
20	SealSeat	53	sm Slang Klem	86	Bout, M3 X 10		
21	Uitvoer Wasmachine	54	LG Slang Klem	87	Einde Kap		
22	Druk op de knop	55	Primer Uitvoer Buis	88	Microschakelaar Assy.		
23	Druk op de knop Lente	56	Zuigkracht Buis	89	Microschakelaarafdekking		
24	O-ring, 10 x 1.5	57	Slangenklem	90	Druk op. Ctl. Zitplaats Invoegen		
25	Druk op de knop Schacht	58	Inlaat Scherm Assy.	91	Deflatie kap		
26	Druk op de knop Lente	59	Stroomdraad	92	Druk op. Ctl. Lente		
27	Messing Afstandhouder	60	Borgmoer	93	Lente Zitplaats		
28	Behouden Ring	61	Schroef, M4 X 8	94	Druk op. Ctl. Knop		
29	O-ring 2.4 X 1.8	62	Koord Deformatie Opluchting	95	Druk op. Ctl. Schroef		
30	Druk op de knop Huisvesting	63	Motor Huisvesting	96	PCB Steun Brkt.		
31	Pomp Huisvesting	64	Stroom Schakelaar	97	Bout, M4 x 10		
32	Plastic Wasmachine	65	Fan lijkwade	98	Draad Connector		

33	Plastic Wasmachine	66	Bout, 2 x16	99	Nylon Kabel Stropdas		
----	-----------------------	----	-------------	----	----------------------	--	--

**Adres:** Baoshanqu Shuangchenglu 803long 11hao 1602A-1609shi Shanghai  
**Geïmporteerd naar AUS:** SIHAO PTY LTD . 1 ROKEVA STREETEASTWOOD  
NSW 2122 Australië

**Geïmporteerd naar de VS:** Sanven Technology Ltd. Suite 250, 9166 Anaheim  
Place, Rancho Cucamonga, CA 91730

<b>EC</b>	<b>REP</b>	SHUNSHUN GmbH Römeräcker 9 Z2021,76351 Linkenheim-Hochstetten, Germany
-----------	------------	--

<b>UK</b>	<b>REP</b>	Pooledas Group Ltd Unit 5 Albert Edward House, The Pavilions Preston, United Kingdom
-----------	------------	--

**Gemaakt in China**

**VEVOR<sup>®</sup>**

**TOUGH TOOLS, HALF PRICE**

**Technisch Ondersteuning en e-garantiecertificaat**

**[www.vevor.com/support](http://www.vevor.com/support)**

# **VEVOR<sup>®</sup>**

**TOUGH TOOLS, HALF PRICE**

Teknisk Support och e-garanticertifikat [www.vevor.com/support](http://www.vevor.com/support)

## **Högtrycksspruta för högtrycksfärg**

We continue to be committed to provide you tools with competitive price.

"Save Half", "Half Price" or any other similar expressions used by us only represents an estimate of savings you might benefit from buying certain tools with us compared to the major top brands and does not necessarily mean to cover all categories of tools offered by us. You are kindly reminded to verify carefully when you are placing an order with us if you are actually saving half in comparison with the top major brands.



# VEVOR®

TOUGH TOOLS, HALF PRICE

## HIGH PRESSURE AIRLESS PAINT SPRAYER



RP862 6



RP862 6 PLUS

### NEED HELP? CONTACT US!

Have product questions? Need technical support? Please feel free to contact us:

**Technical Support and E-Warranty Certificate**  
[www.vevor.com/support](http://www.vevor.com/support)

This is the original instruction, please read all manual instructions carefully before operating. VEVOR reserves a clear interpretation of our user manual. The appearance of the product shall be subject to the product you received. Please forgive us that we won't inform you again if there are any technology or software updates on our product.



## 15. Viktiga säkerhets instruktioner









Denna bruksanvisning är avsedd för din fördel . Vänligen läs och följ säkerhet, installation, underhåll och felsökningssteg som beskrivs i för att säkerställa din säkerhet och tillfredsställelse. Innehållet i denna instruktion manualen baseras på den senaste produktinformationen som var tillgänglig vid publiceringstillfället. Tillverkaren förbehåller sig rätten att göra produktändringar när som helst utan föregående meddelande.









Säkerhetsinstruktionerna i denna handbok är inte avsedda att täcka möjliga förhållanden och praxis som kan uppstå vid drift, underhåll och rengöring av elutrustning.

Använd alltid sunt förnuft och var särskilt uppmärksam på alla FARA, VARNING, FÖRSIKTIGHET och MEDDELANDE uttalanden i denna handbok.

Underhåll etiketter. Dessa innehåller viktig information. Etiketten på ditt verktyg kan innehålla följande symboler. Symbolerna och deras definitioner är följande:

Symbol	Egendom eller utlåtande
	Varning - För att minska risken för skada måste användaren läsa bruksanvisningen noggrant. Läs och förstå denna bruksanvisning innan du använder denna produkt. underlåtenhet att göra det kan leda till allvarlig skada eller dödsfall.
	<b>Symbol för säkerhetsvarning</b> Denna symbol, placerad före en säkerhetskommentar, indikerar en slags försiktighetsåtgärd, varning eller fara. Att ignorera denna varning kan leda till en olycka. För att minska risken för skada, brand eller elstöt, följ alltid rekommendationen nedan.

	<b>Fara!</b> Risk för personskador eller miljöskador! Risk för elektriska stötar! Risk för personskada genom elektriska stötar!
	Varning- Var noga med att bära hörselskydd när du använder denna produkt.
	Varning- Var noga med att bära ögonskydd när du använder denna produkt.
	Varning- Var noga med att bära dammmasker när du använder denna produkt.
	Varning- Var noga med att bära handskar när du använder denna produkt.
	Brandrisk
	 Explosionsrisk.
	  Risk för hudinjektion.
	 Risk för giftiga ångor. Använd endast i väl ventilerade utrymmen.
	Risk för trycksatta aluminiumdelar.
	Undvik antändningskällor som pilotljuscigaretter, bärbara lampor etc.
	Avlasta systemets tryck.

	<p>Heta ytor/brännrisk.</p>
	<p><b>Avfallshanteringsinformation:</b>  Denna produkt omfattas av bestämmelserna i det europeiska direktivet 2012/19/EC. Symbolen som visar en soptunna korsad anger att produkten kräver separat sophämtning i EU. Detta gäller för produkten och alla tillbehör märkta med denna symbol. Produkter märkta som sådana får inte slängas tillsammans med vanligt hushållsavfall, utan måste lämnas till en samlingsplats för återvinning av elektriska och elektroniska apparater .</p>
V	Volt
A	ampere
Hz	Hertz
W	Watt
	Växelström (AC)
	Likström (DC)
	Växelström eller likström (AC/DC)
	Ätningsterminal
	Klass I-konstruktion (jordad)
	Klass II-konstruktion (dubbelisolerad)
PSI	Pund per kvadrattum
MPa	Megapascal
RPM	Varv per minut

min	Minuter
s	Sekunder

## ALLMÄNNA SÄKERHETSREGLER FÖR ELVERKTYG

### EN VARNING

**LÄS ALLA SÄKERHETSVARNINGAR OCH ALLA INSTRUKTIONER.** Underlåtenhet att följa

**varningarna och instruktionerna** kan leda till elektriska stötar, brand, explosion och/eller allvarliga skador.

**SPARA ALLA VARNINGAR OCH INSTRUKTIONER FÖR FRAMTIDA REFERENS.**

**Termen "elverktyg" i varningarna syftar** på ditt nätdrivna (sladd) elverktyg.

### ARBETSOMRÅDE SÄKERHET

- Håll arbetsområdet rent och väl upplyst. Röriga eller mörka områden inbjuder olyckor
- Använd inte elverktyg i explosiva miljöer, som i närvaro av brandfarliga vätskor, gaser eller damm. Elverktyg skapar gnistor som kan antända damm eller ångor.
- Håll barn och åskådare borta när du använder ett elverktyg. Distractioner kan få dig att tappa kontrollen.

### PERSONLIG SÄKERHET

- **Var uppmärksam, titta på vad du gör och använd sunt förnuft när du använder ett elverktyg. Använd inte ett elverktyg när du är trött eller påverkad av droger, alkohol eller medicin. Ett ögonblick av ouppmärksamhet när du använder elverktyg kan leda till allvarliga personskador.**
- **Använd personlig skyddsutrustning. Bär alltid ögonskydd med sidoskydd. Skyddsutrustning som andningsskydd, dammmasker, halkfria skyddsskor, hjälm och hörselskydd kommer att minska personskador.**
- **Förhindra oavsiktlig start. Se till att strömbrytaren är i avstängt läge innan du ansluter till strömkällan, plockar upp eller bär verktyget. Bär elverktyg med fingret på**
  - strömbrytaren eller strömförande elverktyg som har strömbrytaren på inbjuder till olyckor.
- **Överdriv inte.** Håll alltid rätt fotfäste och balans för att ge bättre kontroll över elverktyget i

oväntade situationer.

- **Klä dig ordentligt.** Bär inte löst sittande kläder eller smycken. Håll ditt hår, kläder och handskar borta från rörliga delar. Lösa kläder, smycken eller långt hår kan fastna i rörliga delar.
- **Håll handtag och greppytor torra, rena och fri från olja och fett.** Halta handtag och greppytor tillåter inte säker hantering och kontroll av verktyget i oväntade situationer.
- **Låt inte förtrogenhet från frekvent användning av verktyg göra att du blir självbelåten och ignorerar säkerhetsprinciper.** En vårdslös handling kan orsaka allvarlig skada inom en bråkdel av en sekund.
- **Denna produkt är inte avsedd att användas av personer (inklusive barn) vars fysiska, sensoriska eller mentala förmåga är annorlunda eller nedsatt, eller som saknar erfarenhet eller kunskap, såvida inte sådana personer får övervakning eller utbildning i användningen av apparaten av en person ansvariga för sin säkerhet.** Barn bör **övervakas** för att säkerställa att de inte använder enheten som leksaker.

#### OCH SKÖTSEL ELVERKTYG ANVÄNDNING

- **RENGÖRA SPRUTAN EFTER VARJE ANVÄNDNING.**
- **Tvinga inte elverktyget.** Använd rätt elverktyg för din applikation. Rätt elverktyg kommer att göra jobbet bättre och säkrare i den takt som det är designat för.
- **Använd inte elverktyget om strömbrytaren inte slår på och av det.** Alla elverktyg som inte kan styras med strömbrytaren är farliga och måste repareras.
- **Koppla bort kontakten från strömkällan innan du gör några justeringar, byter tillbehör eller förvarar elverktyg.** Sådana förebyggande säkerhetsåtgärder minskar risken för att elverktyget startas av misstag.
- **Förvara inaktiva elverktyg utom räckhåll för barn och låt inte personer som inte är bekanta med elverktyget eller dessa instruktioner använda elverktyget.** Elverktyg är farliga i händerna på utbildade användare.
- **Underhåll elverktyg.** Kontrollera om rörliga delar är felinriktade eller fastnar, delar som går sönder och andra tillstånd som kan påverka elverktygets funktion. Om det är skadat, låt det elverktyg repareras före användning. Många olyckor orsakas av dåligt underhållna elverktyg.

- **Använd elverktyget, tillbehören och verktygsbitar etc. i enlighet med dessa instruktioner, med hänsyn till arbetsförhållandena och det arbete som ska utföras.** Användning av elverktyget för andra operationer än de avsedda kan resultera i en farlig situation.
- **Kontrollera före varje användning efter skadade delar.** Kontrollera att skydden fungerar korrekt och utför sin avsedda funktion. Kontrollera om rörliga delar är inriktade, festsättning av rörliga delar, brott på delar, montering och andra tillstånd som kan påverka dess funktion. Ett skydd eller annan del som är skadad bör repareras eller bytas ut av ett auktoriserat servicecenter. Om du följer denna regel minskar du risken för stötar, brand eller allvarliga skador.
- **Inspektera elverktygssladden regelbundet och, om den är skadad, får den endast bytas ut av tillverkaren eller av ett auktoriserat servicecenter för att undvika risker.** Att följa denna regel minskar risken för elektriska stötar eller brand.
- **reparatör serva ditt elverktyg med endast identiska reservdelar.** Detta säkerställer att elverktygets säkerhet upprätthålls.

## SÄRSKILDA SÄKERHETSVARNINGAR

### EN VARNING

Denna spruta är inte avsedd för användning med brandfarliga eller brännbara material som används i industriella eller fasta applikationer såsom fabriker eller färgverkstäder. Följ alla tillämpliga federala, statliga eller provinsiella bestämmelser och följ NFPA 33 och OSHA-kraven om de används i dessa applikationer. Följ alla tillämpliga federala, statliga eller provinsiella bestämmelser och följ NFPA 33 och OSHA-kraven om de används i dessa applikationer.

### BRANDSÄKERHET

### ! FARA



## **För att minska risken för brand eller explosion:**

- **Rök från lösningsmedel och färg är brandfarliga och kan antändas eller explodera.** Använd endast i ett väl ventilerat utrymme och låt frisk luft röra sig genom **arbetsområdet** . Håll pumpen välventilerad och spraya inte pumpenheten.
- **Spruta genererar gnistor.** När brandfarlig vätska används i eller nära sprutan eller för spolning eller rengöring, håll sprutan minst 20 fot (6 m) borta från explosiva ångor.
- **Spraya inte lättantändliga eller brännbara material nära en öppen låga eller antändningskällor som vattenvärmare, cigaretter, motorer och elektrisk utrustning med pilotljus** . Använd endast vattenbaserade eller mineralsprit-typ material med en flampunkt högre än 70°F (21°C).
- **Färg eller lösningsmedel som flödar genom utrustningen kan resultera i statisk elektricitet.** Statisk elektricitet skapar risk för brand eller explosion i närvaro av färg eller lösningsmedelsångor . Alla delar av sprutsystemet , inklusive pumpen, slangenheten, sprutpistolen och föremål i och runt sprutområdet ska vara ordentligt jordade för att skydda mot statisk urladdning och gnistor. Använd endast ledande eller jordade högtrycksslangar för högtrycksfärgsprutor som specificeras av tillverkaren.
- **Förhindra statisk urladdning genom att se till att alla behållare och uppsamlingssystem är ordentligt jordade.**
- **Använd alltid ett jordat uttag och jordade förlängningssladdar.** Använd inte en 3-till-2-kontaktadapter.
- **Använd inte färg eller lösningsmedel som innehåller halogenerade kolväten.** Känna till innehållet i färger och lösningsmedel som sprutas. Läs alla materialsäkerhetsdatablad (MSDS) och behållaretiketter som medföljer färgerna och lösningsmedlen. Följ färg- och lösningsmedeltillverkarens säkerhetsanvisningar.
- **Ha alltid en fungerande brandsläckare i närheten.**
- **Rök inte i arbetsområdet.**
- **Använd inte ljusbrytare, motorer eller liknande gnistproducerande produkter i sprutområdet .**
- **Håll arbetsområdet rent och fritt från färg- eller lösningsmedelsbehållare, trasor och andra brandfarliga material.**



**! DANGER****För att minska risken för elektriska stötar:**

- **Denna produkt kräver ett ordentligt jordat uttag för att minska risken för elektriska stötar.** Se till att eluttaget är ordentligt jordat i enlighet med alla lokala bestämmelser och förordningar. Kontakten och uttaget ska se ut som i Fig. A. Rådgör med en kvalificerad elektriker eller serviceperson om jordningsinstruktionerna inte förstås eller om det råder tvivel om huruvida utrustningen är ordentligt jordad.
- **Modifiera inte nätsladdens kontakt som medföljer verktyget.** Ta aldrig bort jordstiftet från kontakten. Om kontakten inte passar i uttaget, låt en behörig elektriker installera ett lämpligt uttag.
- **Använd inte verktyget om nätsladden eller kontakten är skadad.** Om den är skadad, låt en serviceverkstad reparera den före användning.
- **Uttaget måste matcha kontakten.** Använd inte någon form av adapter med en jordad (jordad) kontakt. Omodifierade kontakter och matchande uttag minskar risken för elektriska stötar.
- **Undvik kroppskontakt med jordade eller jordade ytor som rör, radiatorer, spisar och kylskåp.** Det finns en ökad risk för elektriska stötar om din kropp är jordad eller jordad.
- **Utsätt inte denna produkt för regn eller våta förhållanden.** Vatten som kommer in i produkten ökar risken för elektriska stötar.
- **Om en förlängningssladd behövs, använd minst 12 AWG (2,5 mm<sup>2</sup>) för att leverera rätt mängd ström till verktyget.** En underdimensionerad sladd kommer att resultera i spänningsfall som leder till strömavbrott och överhettning.
- **Använd endast en 3-tråds förlängningssladd med en jordad kontakt som har ett korrekt jordat uttag som tar emot kontakten på detta verktyg.**



- **Följ lokala regler när du väljer en lösningsmedelshink för spolning.** Använd endast ledande metallhinkar placerade på en jordad yta som betong. Placera inte hinken på en icke-ledande yta som papper eller kartong. Anslut en jordledning mellan hinken och en jord såsom ett metallrör. Håll fast vid spolning eller avlastning av tryck en metalldel av sprutpistolen mot hinken för att säkerställa kontinuitet till marken och spraya sedan.

#### HUDINJEKTIONSSÄKERHET



**VID OAVSIKTLIG HUDINJEKTION SÖK Omedelbart medicinsk behandling!** Högtrycksspray eller läckor kan penetrera huden och leda till allvarliga skador eller dödsfall.

**För att minska risken för hudinjektion:**

- **Kontrollera att alla anslutningar är åtdragna INNAN du slår på enheten.**
- **Rikta inte pistolen eller sprayen mot någon person eller djur.**
- **Håll händer och andra kroppsdelar fria från sprutmunstycke och läckor.** Försök inte att stoppa läckor med någon del av kroppen.
- **Använd alltid ett munstycksskydd.** Spraya aldrig utan ett munstycksskydd installerat.
- **Aktivera avtryckaren när du inte sprutar.** Utrustningen bibehåller trycket efter att strömmen stängts av.
- **Inspektera slangarna och delarna för eventuella skador före varje**

**användning.** Byt endast ut skadade slangar eller delar med originalersättningar .

- **Ersättningskomponenter måste ha ett tryck som inte är lägre än pumpvärdet på 3000 PSI (205 bar).**

**! WARNING**



- **Följ alltid tryckavlastningsproceduren för att stänga av och avlasta trycket.** Lämna inte enheten strömsatt eller under tryck när den är obevakad eller inte används.
- **Var försiktig när du rengör och byter slangar, munstycksspetsar, spetssskydd eller när du installerar förlängningar.** Följ tryckavlastningsproceduren för att stänga av och avlasta trycket innan du försöker byta.

#### HOT YTA SÄKERHET

**! WARNING**



Utrustningsytor och vätska som står under tryck kan bli varma under drift. Undvik brännskador genom att inte vidröra het vätska eller utrustning.

#### UTRUSTNING SÄKERHET

**! WARNING**



FILKEN ANVÄNDNING AV DENNA UTRUSTNING KAN ORSAKA DÖD ELLER ALLVARLIG SKADA.

- **Använd inte enheten när den är trött eller under påverkan av droger eller alkohol.**
- **Giftiga vätskor eller ångor kan orsaka allvarliga skador eller dödsfall**

**om stänk i ögonen eller på huden, andas in** eller sväljs. Bär alltid personligt skyddsutrustning inklusive ögonskydd, ansiktsskydd, hörselskydd och andningsskydd eller ansikte mask. Läs alltid igenom säkerhetsdatabladet och känn till specifika faror för vätskan du använder.

- Överskrid inte det maximala arbetstrycket eller temperaturklassificering av den lägsta klassade systemkomponent.
- **Använd vätskor och lösningsmedel som är kompatibla med utrustning.** A I sätt läser vätska och lösningsmedel tillverkarens varningar.
- **Trycksatt utrustning kan starta utan varning.** Innan du inspekterar, flyttar eller servar utrustningen, följ tryckavlastningen Procedur i denna handbok och koppla bort strömförsörjning.

#### TRYCKSTÄLLD ALUMINIUM SÄKERHET

**⚠ WARNING**



Använder vätskor som är oförenliga med aluminium i trycksatt utrustning kan orsaka en allvarlig kemisk reaktion och utrustningsbrott. Fel att följa denna varning kan leda till dödsfall, allvarlig skada eller skada på egendom.

Använd inte 1,1, 1 - t rikloretan, metylen klorid eller annan halogenerad kolväte lösningsmedel eller vätskor som innehåller sådana lösningsmedel.

Många andra vätskor kan innehålla kemikalier som kan reagera med aluminium. Kontakta ditt material leverantör för kompatibilitet .

#### WARNING

Innan du använder denna produkt, vänligen läs och förstå alla instruktioner och säkerhetsvarningar. Felaktig användning kan leda till allvarliga skador eller skador på egendom.

1 .Varningar \_ måste vara följt försiktigt \_\_ till undvika kropp skada.

Felaktig använda sig av Maj resultat i elektriska stötar, brand, personskador och andra skador:

1 ) Behåll koppla ur när flytta på maskin.

2 ) Behåll koppla ur när installera \_ Tillbehör

- 3) Sätt på en lägenhet och stabil plattform och fungera underventilerat betingelser
- 4) Bär speciellt skyddsutrustning när fungerar de maskin
- 5) Gör inte använda detta maskin i a farligt läge.
- 6) Gör inte använda sig av när de maskin är inte arbetssätt ordentligt .
- 7) Gör inte plocka isär och reparera detta maskin .
- 8) Gör inte använda sig av en olämplig AC Utlopp .
- 9) Gör inte röra uppvärmning tallrik när de maskinen värms upp .
- 10) Gör inte använda i en fuktig miljö eller kontakt med vatten. Do inte om jag ltrate flytande i de maskin till förhindra brand eller orsakade elektriska stötar genom kortslutning.
- 11) Gör inte använda sig av de kraft tillförsel den där gör inte träffa de betygsatt Spänning . De kraft tillförsel det gör inte uppfyller den specificerade spänningen kan orsaka brand eller elektrisk chock.
- 12) Se till den där de maskin är grundad så som inte till orsak skada till kroppen . \_
- 13) Gör inte röra roterande \_ stav eller bäring del med o fingrarna under använda sig av i fall av skador .
- 14) Om de maskin är inte i använda sig av för a lång tid , snälla du dra ur de kraft sladd från de uttag .
- 15) Do inte använda maskin under åskväder eller belysning till undvika skada för de maskin .
- 16 ) Placera bearbeta smidigt på det flamskyddade bordet och håll borta från f jag är snäll och explosiv föremål.
- 17) P leasing sluta använder sig av Det om de maskin röker , avger a egendomlig lukta , eller blir högljudd och i annat onormalt betingelser.
- 18) Denna apparat burk vara Begagnade av barn åldrig från 8 år och ovan och personer med reducerad fysisk , sensoriskt eller mentalt Förmågor eller brist av erfarenhet och känna till om de har fått övervakning eller instruktioner angående användning av apparaten i ett kassaskåp sätt och förstå de risker som är involverade. Barn får inte leka med apparaten. Rengöring och användarunderhåll får inte utföras av barn utan tillsyn
- 33) Typ Z- tillbehör : Om nätsladden inte kan bytas ut. Om sladden är

skadad ska apparaten skrotas.

34) För att undvika en fara på grund av oavsiktlig återställning av termoskyddet, detta apparaten får inte försörjas via en extern omkopplingsanordning, såsom en timer, eller ansluten till en krets som regelbundet slås på och av av kraftverket.

## FCC INFORMATION

**WARNING:** Ändringar eller modifieringar som inte uttryckligen godkänts av den part som ansvarar för överensstämmelse kan ogiltigförklara användarens behörighet att använda utrustningen!

Denna enhet uppfyller del 15 av FCC-reglerna. Driften är föremål för följande två villkor:

- 1) Denna produkt kan orsaka skadliga störningar.
- 2) Denna produkt måste acceptera alla mottagna störningar, inklusive störningar som kan orsaka oönskad funktion.

**WARNING:** Ändringar eller modifieringar av denna produkt som inte uttryckligen godkänts av den part som är ansvarig för efterlevnaden kan upphäva användarens behörighet att använda produkten.

**Notera:** Denna produkt har testats och befunnits överensstämma med gränserna för en digital enhet av klass B i enlighet med del 15 av FCC-reglerna. Dessa gränser är utformade för att ge rimligt skydd mot skadlig störning i en bostadsinstallation.

Denna produkt genererar, använder och kan utstråla radiofrekvensenergi, och om inte installeras och används i enlighet med instruktionerna, kan orsaka skadliga störningar på radiokommunikation. Det finns dock ingen garanti för att störningar inte kommer att inträffa i en viss installation. Om denna produkt orsakar skadliga störningar på radio- eller tv-mottagning, vilket kan fastställas genom att stänga av och på produkten, uppmanas användaren att försöka korrigera störningen med en eller flera av följande åtgärder.

- Rikta om eller flytta mottagningsantennen.
- Öka avståndet mellan produkten och mottagaren.
- Anslut produkten till ett uttag på en annan krets än den som mottagaren är

ansluten till.

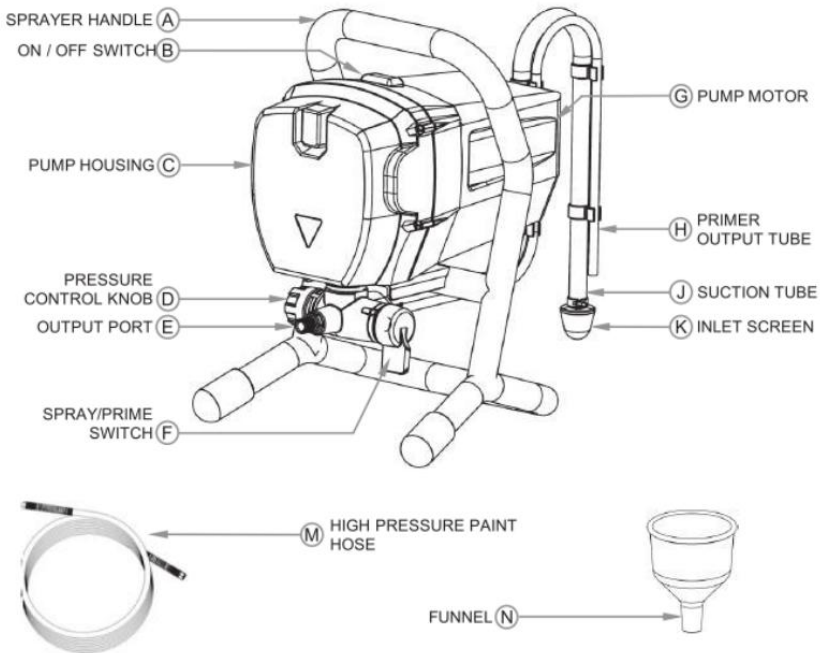
- Kontakta återförsäljaren eller en erfaren radio/TV-tekniker för hjälp.

## SPECIFIKATIONER

Items	Description	RP8626	RP8626 PLUS
1	Rated Voltage:	120VAC 60Hz ( For US user)	120VAC 60Hz ( For US user)
2	Rated Voltage:	230VAC 50Hz ( For Europe user)	230VAC 50Hz ( For Europe user)
3	Rated Power:	750 W	750 W
4	Maximum Working Pressure (MWP):	3000 PSI	3000 PSI
5	Maximum Delivery:	1.2 LPM	1.2 LPM
6	Work Environment Temperature:	5° C - 40° C / 40° F - 105° F	5° C - 40° C / 40° F - 105° F
7	Standard Nozzle:	517	517
8	Transportation and Storage Temperature:	-13° F-131° F (-25° C-55° C)	-13° F-131° F (-25° C-55° C)
9	Hose Length:	7.6 m / 25 ft	7.6 m / 25 ft
10	Paint Outlet Connector Size	1/4" -18 NPSM	1/4" -18 NPSM
11	G. W. :	9.8kg	12.3kg

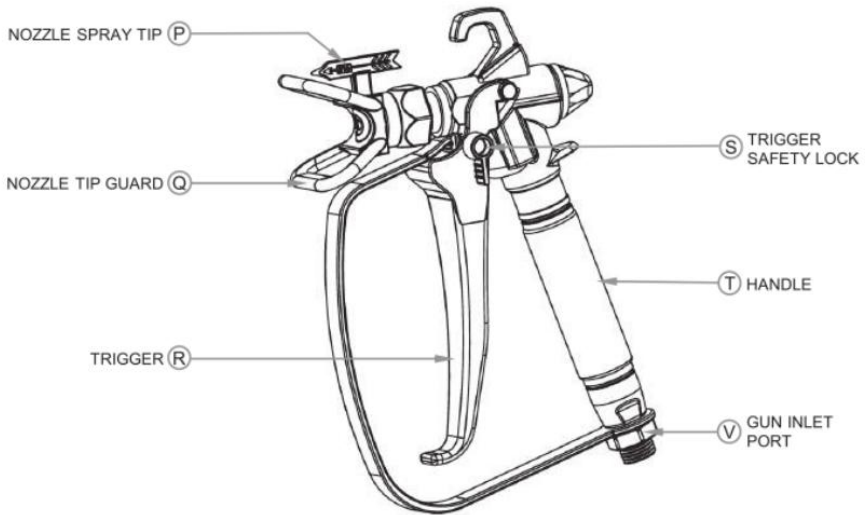
## FEATURE IDENTIFICATION

### RP8626 SPRUTA:



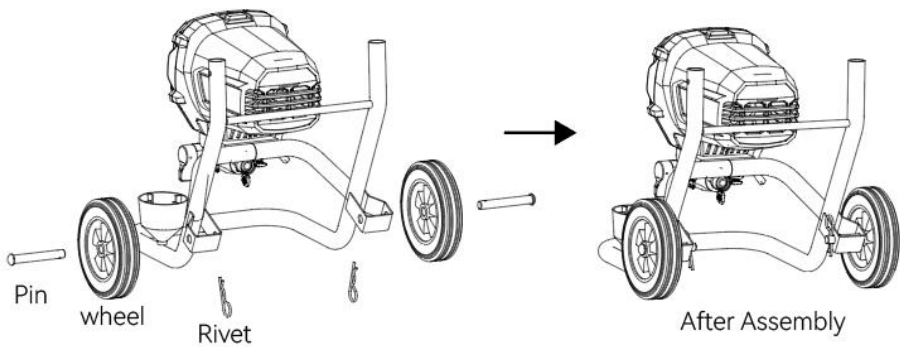
### RP8626 & RP8626 PLUS LUFTLÖS SPRAYPISTOL

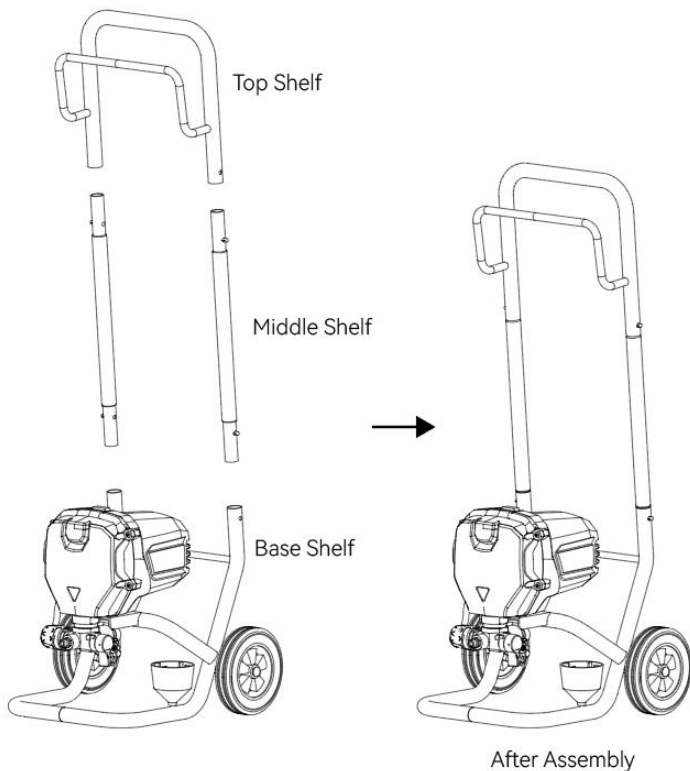




## 8626 PLUS

### wheel installation





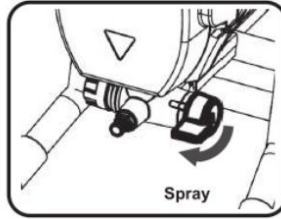
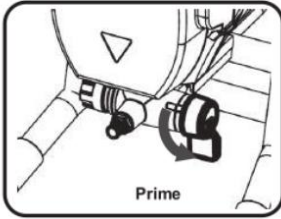
## DRIFT

### LÄGGA MÄRKE TILL:

RENGÖRA EFTER ANVÄNDNING FÖR ATT FÖRHINDRA PERMANENT SKADA PÅ SPRUTA. RETURER EJ ACCEPTERAS OCH GARANTI Ogiltigförklaras OM SPRAYAN INTE RENGÖRES PÅ RIKTIGT OMEDELBART EFTER VARJE ANVÄNDNING.

### Prime/Spray Switch

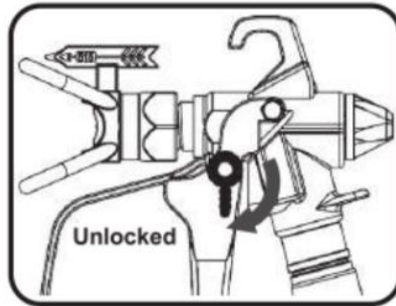
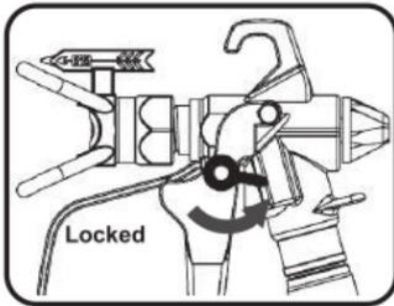
Prime/Spray-omkopplaren (F) växlar enheten mellan primingläge och sprutning läge.



### **Avtryckarlås**

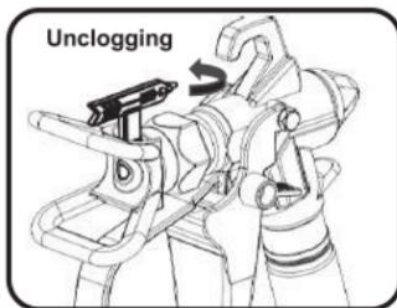
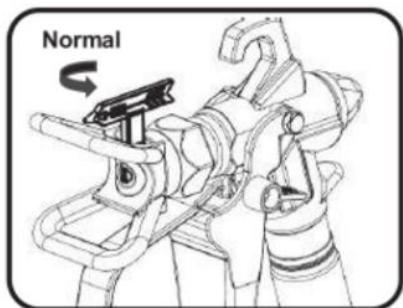
Triggerlåset (S) förhindrar trigger från att vara oavsiktligt aktiveras som när pistolen är tappade.

**SLÅ ALLTID AVTRIGGERLÅSET NÄR SPRUTPISTON INTE ANVÄNDS.**



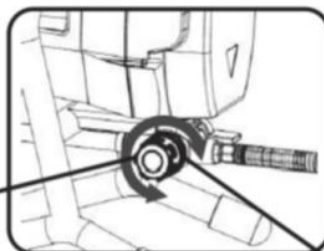
### **Spraymunstycke**

Munstyckets sprutspets (P) är avtagbar och vändbar att göra rengöring och täppning lättare. Normal drift sker med pilen pekade utåt och bort från pistolen. Rengöring av munstycket är görs genom att vrida munstyckssprayen Tips så pilen pekar inåt mot pistolen.



### **Tryckkontrollratt**

Tryckkontrollknappen (D) justerar trycket på färgen utgång vid utgångsporten (E). Genom att vrida rattan helt åt höger (medurs) justeras färgeffekten till maximalt tryck för högtryckssprutning. Om du vrider rattan helt åt vänster (moturs) kommer färgeffekten att reduceras till ett minimum tryck. Rikta in tryckkontrollrattens indikator mot önskad funktion enligt etiketten (visas nedan)



High Pressure Spray

Low Pressure Spray

Prime/Clean

Roller

### **TRYCKAVLÄSNINGSPROCEDUR**

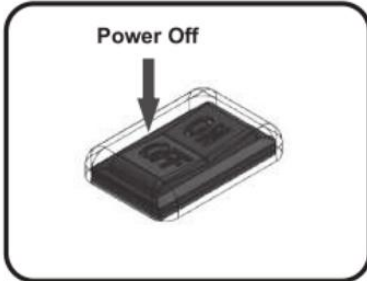


LÄPPNA ALLTID TRYCK NÄR SPRAYINGEN ÄR AVSLUTAD OCH INNAN RENGÖRING SERVICE ELLER TRANSPORT.

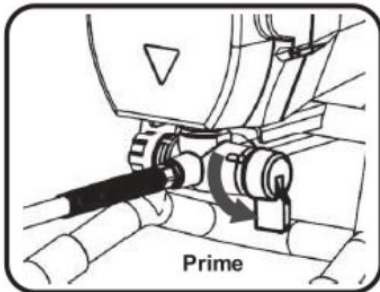


RISK FÖR HUDINJEKTION. RIKTA INTE VISTAN ELLER SPRAYEN MOT NÅGON PERSON ELLER DJUR. PLACERA DEN INTE FRAMFÖR SPRAYMUNSEN.

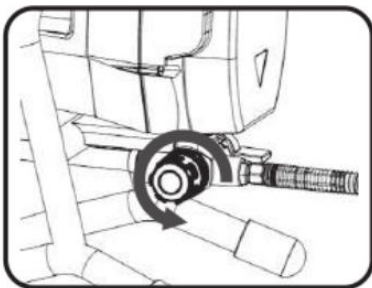
1. Sätt ON/OFF-knappen (B) i OFF placera och dra ur nätsladden.



16. Vrid Prime/Spray-omkopplaren till PRIME placera.



3. Justera tryckkontrollratten (D) till den lägsta tryckinställningen (ROLL)

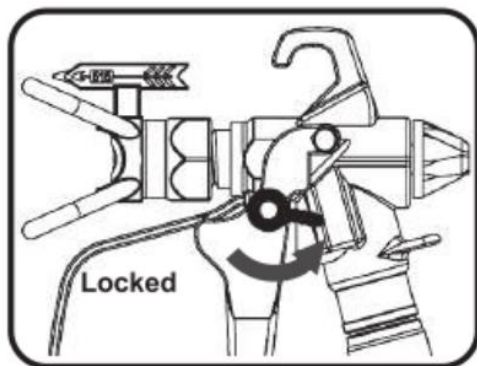


4. När du använder en avfalls- eller lösningsmedelshink, se till att hinken används är av metall och är ordentligt jordad. Kläm fast ena änden av en jordledning till hinken den andra änden till en korrekt mark, till exempel ett vattenrör av metall.

5. Rikta sprutpistolen i det jordade avfallet eller lösningsmedelshink samtidigt som du håller i någon metalldel på sprutpistolen stadigt vid sidan av hinken för att underhålla jordkontinuitet för pistolen och hinken, kör sedan avtryckaren flera gånger tills tryck inom slangen har avlastats



13. Aktivera avtryckarlåset efter att trycket har varit lättad.



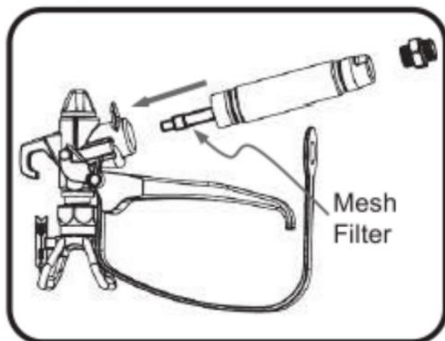
7. Lämna Prime/Spray-omkopplaren i Prime-läget tills du är redo att spraya igen.

8. Om du misstänker att sprutmunstycket eller slangen är igensatt eller att trycket inte har släppts helt efter följ dessa steg, **FÖRSIKTIGT OCH LÅNGSAMT** lossa spetskyddets låsmutter eller slangände koppling för att avlasta trycket gradvis, lossa sedan helt innan du försöker rensa någon hinder.

## UPPSTART

Objekt inom parentes () hänvisar till funktionen identifieringsritning i föregående avsnitt.

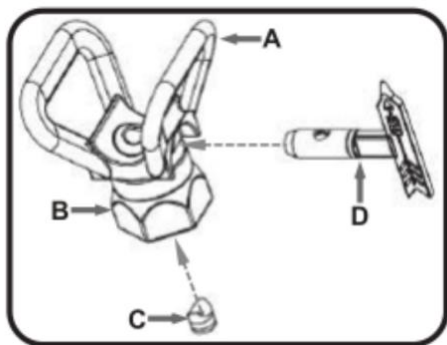
Obs: Spraypistolen kommer monterad från fabrik. Om pistolen har tagits isär för rengöring följ stegen nedan för att återmontera.



43. Sätt in nätfiltret i handtaget (T) och rikta in det handtaget med sprutpistolens överkropp.

44. Medan du håller i sprutpistolens överkropp, dra åt handtaget (T) med en skiftnyckel.

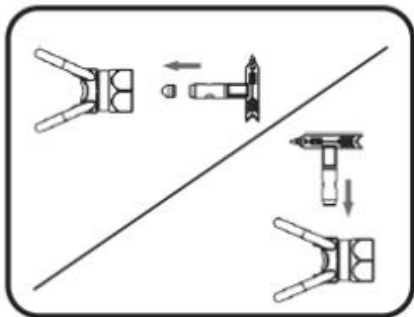
45. Placera handtagsskyddet över hålet på botten av handtaget och säkra sedan på plats med hjälp av slangens inloppsport (V) adapter och två skiftnycklar.



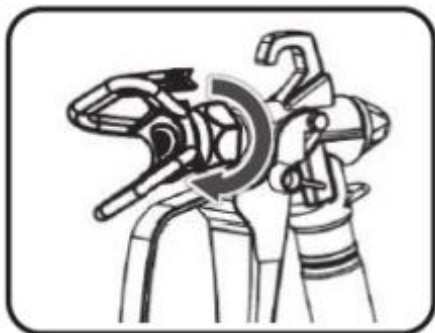
46. Gun Tip and Guard består av följande komponenter:

- A. Munstycksspets-skydd
- B. Munstycksspets-skyddshållmutter
- C. Metallsäte med gummipackning
- D. Sprutmunstycke

47. Använd munstyckssprutspetsen för att installera metallsätet med gummipackning i munstycksskyddet.

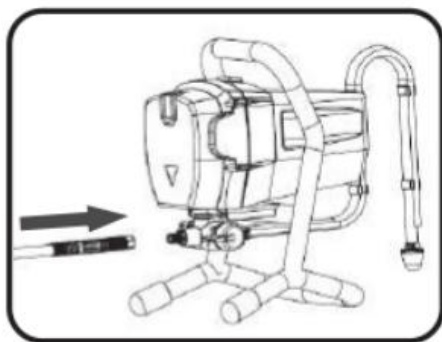


48. Installera munstyckssprutspetsen i munstycksspetsen Vakt.



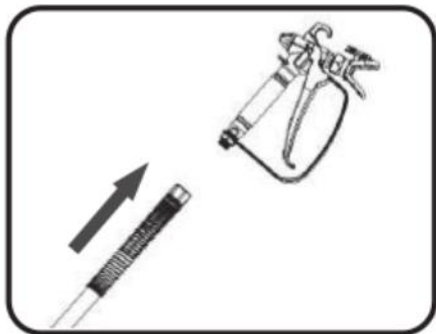
7. Trä på munstycksspetsenskyddets låsmutter framsidan av den övre sprutpistolkroppen och dra åt med en skiftnyckel.

8. Med enheten frånkopplad, rulla upp och anslut Högtrycksfärgslang (M) till utgångsporten (E). Använd en skiftnyckel för att dra åt kopplingen korrekt.

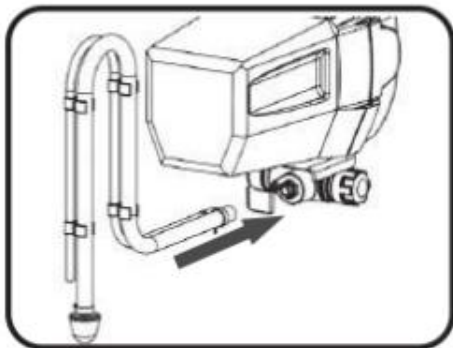


16. Anslut den andra änden av högtrycksfärgen Slang (M) till pistolens inloppsport (V) på sprayen pistolhandtag (T). Använd ett par skiftnycklar för att dra åt kopplingen korrekt

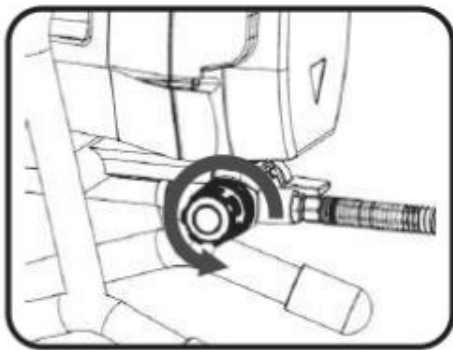




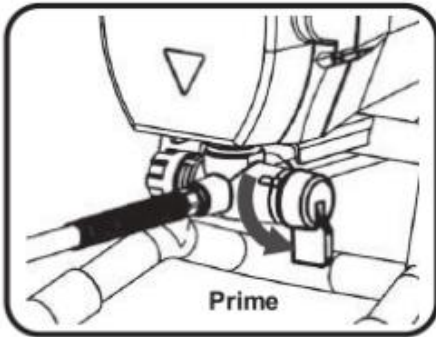
10. Anslut sugröret (J) och primerutgången Rör (H) till baksidan av ventilhuset, då installera inloppsskärmen (K). Säkra på plats med hjälp av de medföljande slangklämmorna.



11. Ställ in tryckkontrollratten (D) på Prime/Clean position.



1 2 . Placera Spray/Prime Switch (F) på Prime Placera.

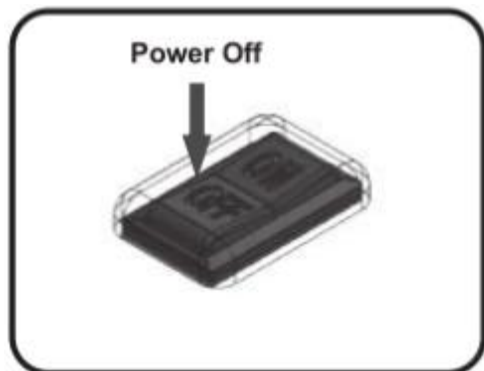


## **PRIMA OCH SPOLA**

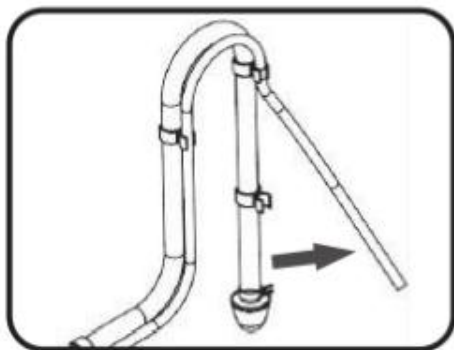
Före varje användning måste sprutan grundas och spolats för att avlägsna lagringsvätskan ur sprutan. Följ dessa riktlinjer vid grundning och spolning:

- Använd vatten för att spola systemet noggrant om du ska spraya vattenbaserade material.
- Använd ett kompatibelt oljebaserat spillösningsmedel eller mineralsprit för att spola igenom systemet noggrant om du ska spraya oljebaserade material.
- Om du byter från oljebaserad sprutning till vattenbaserad sprutning, spola först systemet noggrant med vatten. Vattnet som rinner ut från Primer Outlet Tube (H) ska vara klart och fritt från lösningsmedel innan du börjar spraya det vattenbaserade materialet. Om du byter från vattenbaserad sprutning till oljebaserad sprutning, spola först systemet noggrant med ett kompatibelt oljebaserat spillösningsmedel eller mineralsprit. Lösningemedlet som strömmar från Primer Outlet Tube (H) bör inte innehålla något vatten.
- Använd alltid ett jordat metallavfalls- eller lösningsmedelshink.
- Se avsnittet Elsäkerhet.
- Rikta alltid pistolen mot insidan av avfalls- eller lösningsmedelsbehållaren för att undvika att vätska stänker tillbaka på huden eller i ögonen.

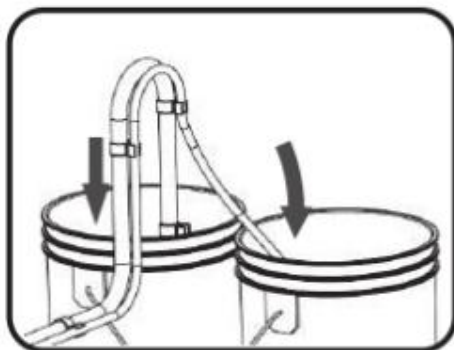
15. Vrid strömbrytaren ON/OFF (B) till OFF placera och koppla ur sprutan.



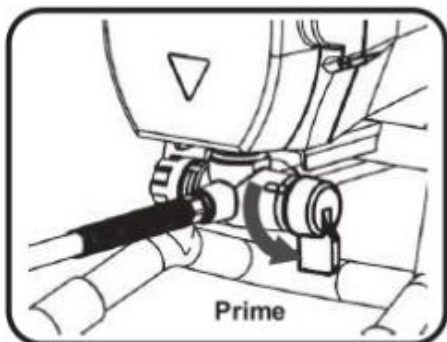
16. Separera primerutgångsröret (H) från de Sugrör (J).



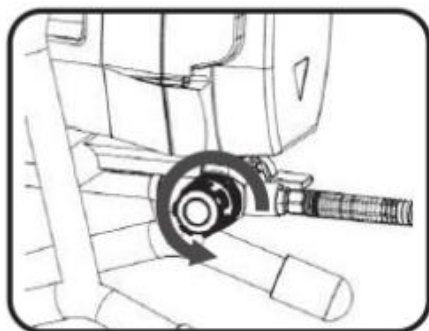
3. Placera primerutgångsröret (H) i en jordad avfalls-/lösningsmedelshink och för sugröret (J) med inloppsskärm (K) i en hink som innehåller vatten eller spilllösningsmedel (bestäms av riktlinjerna som diskuterats ovan).



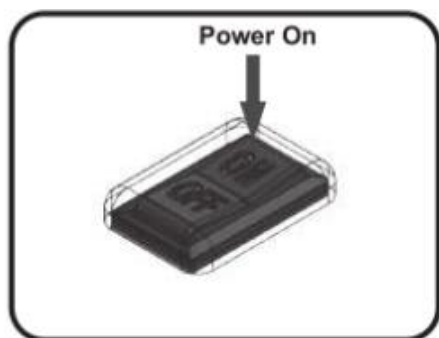
4. Kontrollera att Spray/Prime Switch (F) är i Prime Position.



5. Ställ in tryckkontrollratten (D) på Prime/Clean position.

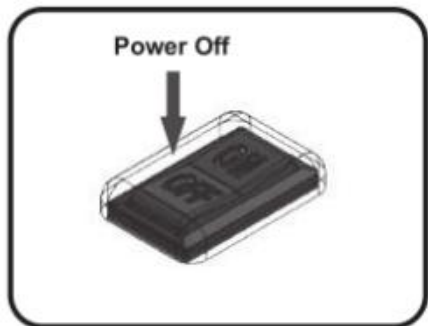


6. Anslut sprutan till ett jordat uttag och vrid strömbrytaren ON/OFF (B) till ON-läget.

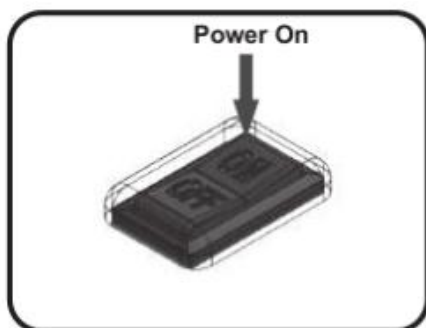
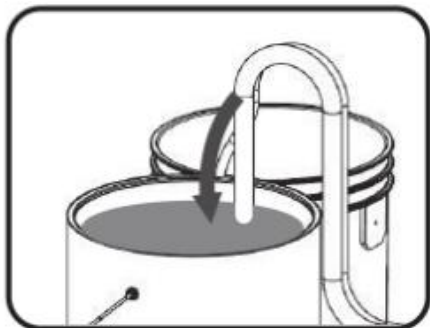


7. Sprutan börjar pumpa vatten eller spola lösningsmedel. Luft och lagringsolja kommer att tömmas från systemet. Låt vätskorna fortsätta vara töms från primerutgångsröret (H) i 30 till 60 sekunder, slå sedan PÅ/AV strömmen

Omkopplare (B) till OFF-läget.



8. Ta bort sugröret (J) och inloppsskärmen (K) från hinken som innehåller vatten eller spillösningsmedel (steg 3) och sätt in i behållaren som håller färg du kommer att använda.

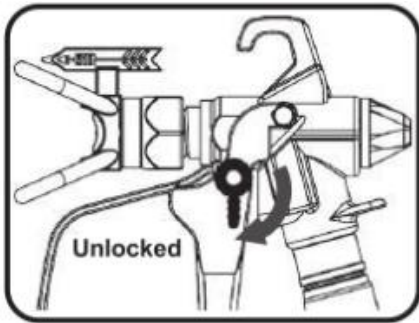


9. Slå PÅ/AV strömbrytaren (B).

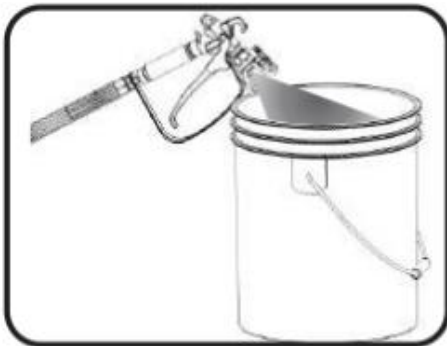
10. Färg kommer att börja pumpas genom suget Rör (J) och kommer att börja tömmas igenom primerutgångsröret (H) och in i avfalls-/lösningsmedelsbehållaren.

11. Håll sprutpistolen riktad in i och mot avfalls-/lösningsmedelshink.

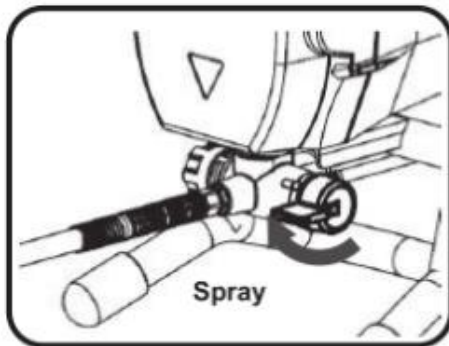
12. Lås upp avtryckarlåset.



20. Dra och håll in avtryckaren.

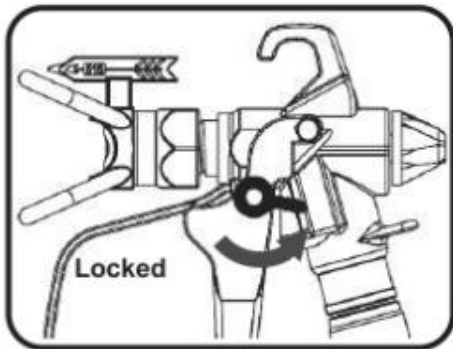


14. Vrid spray/prime-omkopplaren (F) till sprayen placera.

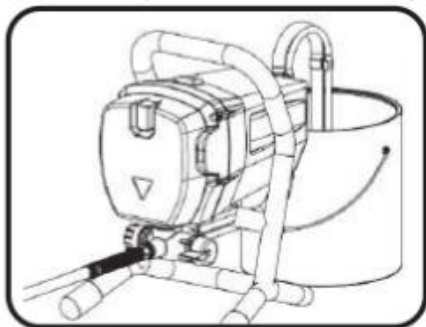


15. Fortsätt att hålla ned avtryckaren medan du riktar pistolen i avfalls-/lösningsmedelshinken tills endast färg är kommer ut ur pistolen.

16. Släpp avtryckaren och aktivera avtryckarlåset



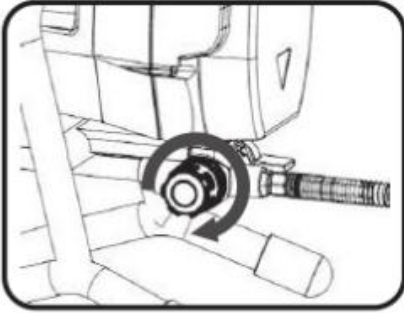
24. Flytta Primer Output Tube (H) till färgen behållaren och fäst den på sugröret (J).



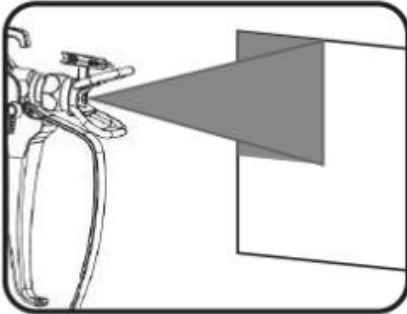
NOTERA: Motorn stannar vilket indikerar pumpen och slang är grundmålad med färg och under tryck. Om \_ motorn fortsätter att gå, inte sprutan Korrekt grundad. För att fylla på nytt, vrid spray-/fyllningsbrytaren (F) till Prime-läget och upprepa alla steg som börjar vid steg 9.

### **MÅLNING**

36. Ställ in tryckkontrollratten (D) på ett medelhögt tryck.

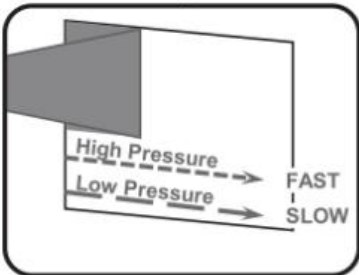


37. Testa denna tryckinställning på en bit av material.



38. Justera tryckkontrollknappen (D) tills a slät och jämn konsistens är uppnådd.

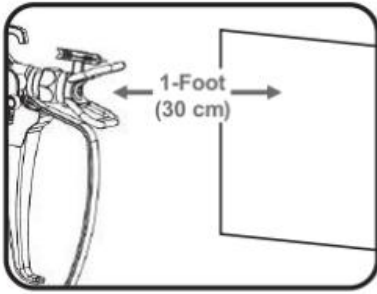
39. Spraya ett test på en bit av skrotmaterial lappar och bedömer hastigheten på slaget som krävs för tryckinställningen. Lägre tryck kommer kräver en lägre hastighet, och högre tryck kommer kräver en högre slaghastighet.



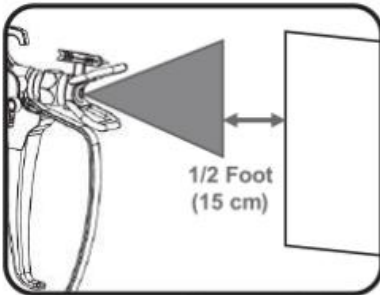
OBS: Kvaliteten på ytan som målas kommer har stor effekt på sprutresultatet. Ytan som målas måste förberedas ordentligt innan börjar spraya.

## **SPRUTNINGSTEKNIK**

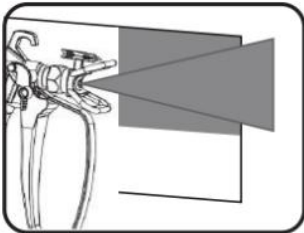




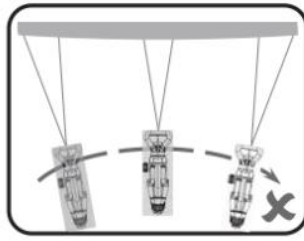
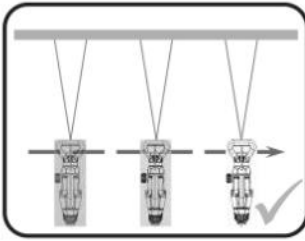
8. Håll ett avstånd på cirka 30 cm från ytan som ska sprayas.



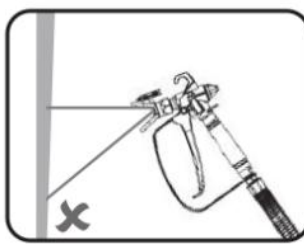
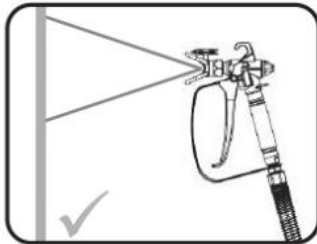
2. Börja rörelsen av slaget innan du klämmer ihop avtryckaren och börja cirka 15 cm från kanten av området som sprutas



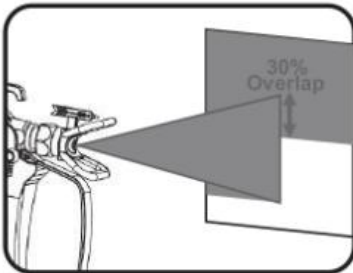
3. Släpp avtryckaren en gång förbi den motsatta kanten av ytan som sprutas.  
4. Flytta pistolen med hela armen utan att böja sig din handled för att säkerställa ett jämnt sprutmönster.



40. Håll sprutpistolen i rät vinkel mot ytan målas.



6. Överlappa varje slag med 30 % för att säkerställa jämn täckning.



Andra användbara tips

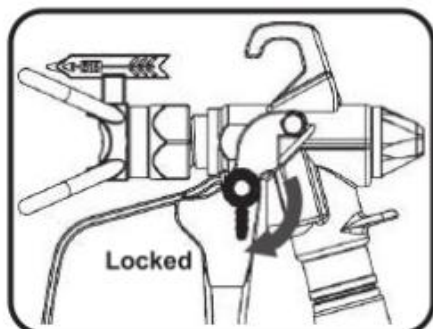
- Sprayning utomhus på en blåsig dag kan resultera i dåliga resultat. Vänta tills det inte blåser och vädret är tillfredsställande.
- Applicera ett lager i taget och låt det torka helt innan du lägger på ytterligare ett lager.
- Undvik att stanna och starta vilket kommer att resultera i en fläckig finish. Börja på ena kanten av en yta och avsluta precis förbi motsatt kant. Undvik att stanna in mitten av en yta vilket kan resultera i en ojämn finish .

### **LÄTTA UT SPRAYSTIPSEN**

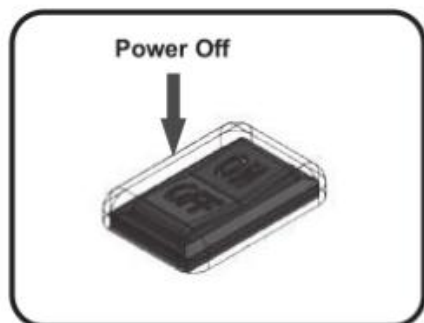
- Munstyckets sprutpets (P) kan ibland bli igensatt med färg. Följ dessa

instruktioner för att rensa a igensatt munstyckssprutmunstycke:

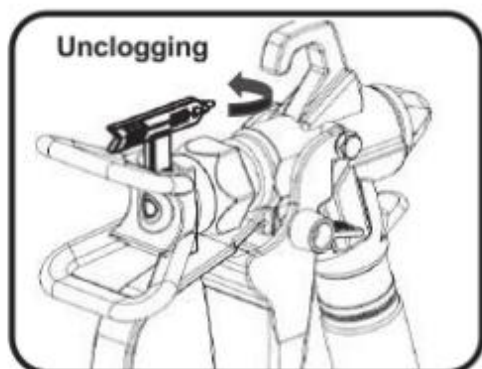
1. Släpp avtryckaren och aktivera triggerlåset ( S )



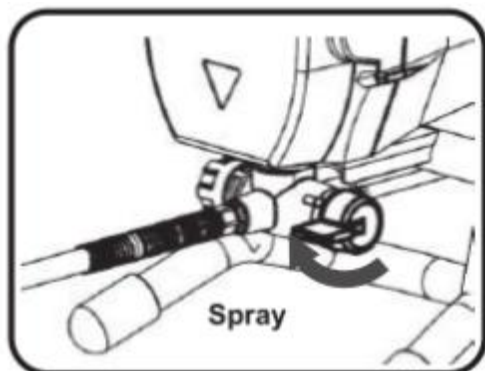
2. Placera ON/OFF-omkopplaren (B) i OFF placera och dra ur nätsladden.



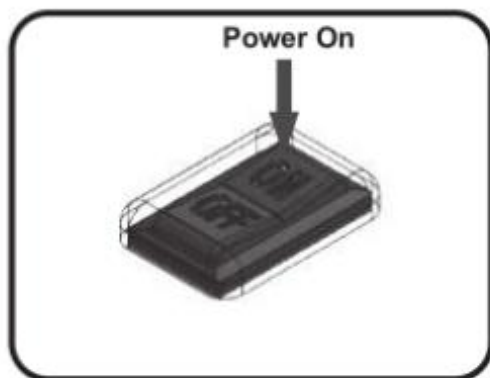
3. Vrid munstyckets sprutmunstycke (P) så att pilen pekar mot pistolens baksida.



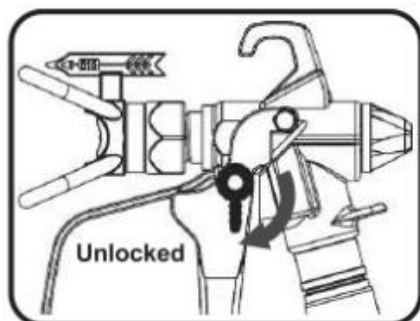
4. Vrid spray-/fyllningsbrytaren (F) till sprayläget.



5. Sätt strömbrytaren PÅ/AV (B) i läget PÅ.

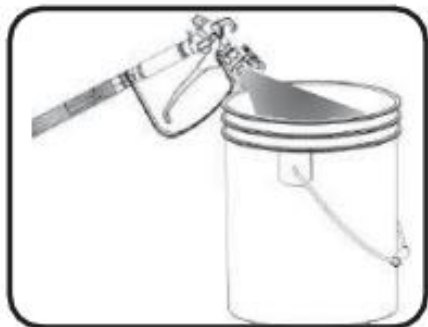


6. Koppla ur avtryckarlåset (S).

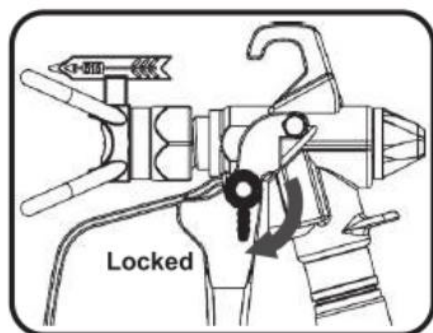


7. Rikta sprutpistolen mot en jordad avfalls- eller lösningsmedelshink samtidigt

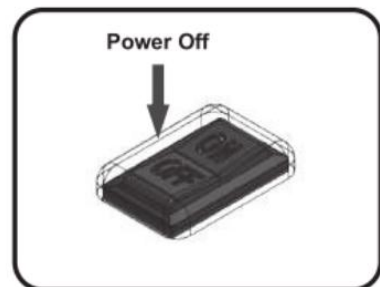
som du håller någon metalldel av sprutpistolen stadigt mot sidan av hinken för att bibehålla jordkontinuiteten för pistolen och hinken, tryck sedan på avtryckaren flera gånger för att rensa tilltäckningen.



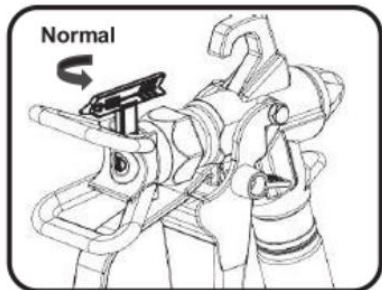
8. Släpp avtryckaren och aktivera triggerlåset (s).



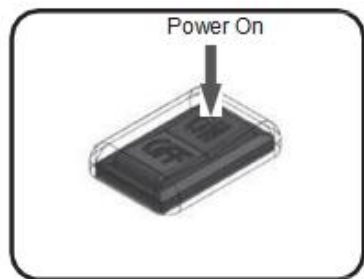
9. Sätt PÅ/AV-omkopplaren (B) i OFF-läget och dra ur nätsladden.



10. Vrid munstyckets sprutmunstycke (P) så att pilen pekar mot pistolens framsida.



11. Sätt strömbrytaren PÅ/AV (B) i läget PÅ.



## **RENGÖRING**

### **LÄGGA MÄRKE TILL**

**RENA EFTER ANVÄNDA SIG AV TILL FÖRHINDRA PERMANENT SKADA TILL DE SPRUTA.**

**RETURNERAR INTE ACCEPTERAT & GARANTI TOMHET OM SPRUTA ÄR INTE RENGÖRAS OMEDELBART EFTER VARJE ANVÄNDNING.**

### **ANVÄND KORREKT RENGÖRINGSVÄTSKA**

Om färgvarelse Begagnade var vatten baserad (akryl måla), används sig av ENDAST VATTEN när utför de rengöring procedur.

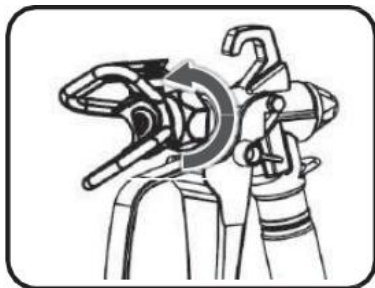
OBS• ANVÄNDNING AV LÖSNINGSMEDDELBASERAD RENGÖRINGSVÄTSKA PÅ VATTENBASERAD FÄRG KOMMER RESULTAT I A ÄMNE DEN DÄR KOMMER VARA EXTREMT SVÅRT TILL RENA.

Om de måla eller beläggning material varelse Begagnade var oljebaserad \_ (emalj måla, lack etc.), se de beläggning materialets märka eller MSDS till bestämma vad lösningsmedel till används sig av. Dessa lösningsbaserad rengöring vätskor är säkra att använda i de luftlös spruta:

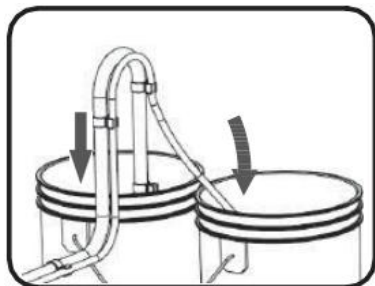
- Mineral Terpentin
- Måla Thinner

## **RENGÖRING AV SPRUTAN**

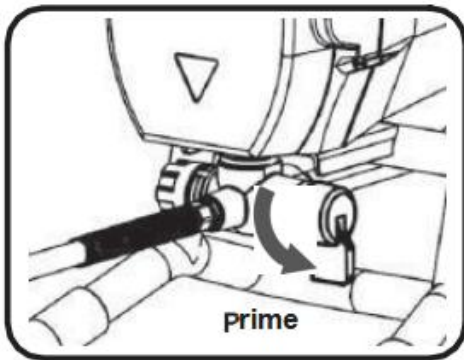
1. Börja rengöra sprutan OMEDELBART efter användning genom att följa TRYCKAVLASNINGSPROCEDUREN på 9.
2. Använd en skiftnyckel för att ta bort munstycksskyddet (Q) och munstyckssprutspetsen (P) från pistolen och placera det i rengöringsvätskan.



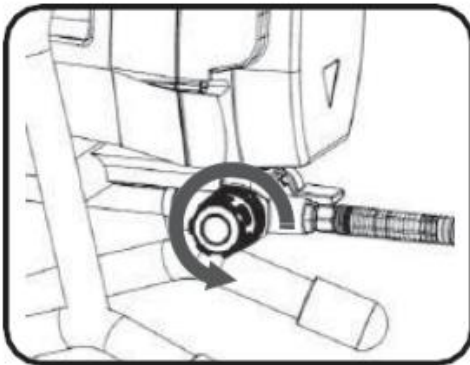
3. Separera primerutgångsröret (H) från sugröret (J). Placera primerutgångsröret (H) i en avfallshink och sugröret med inloppsskärm (K) i en hink som innehåller vatten eller spillösningsmedel (läs avsnittet med rubriken ANVÄND DEN KORRETA RENGÖRINGSVÄTTEN som diskuteras ovan) .



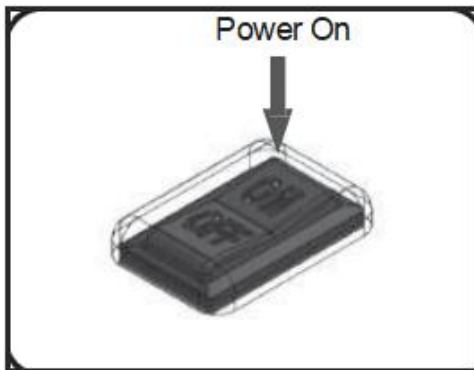
4. Kontrollera att Spray/Prime Switch (F) är i Prime Position.



5. Ställ in tryckkontrollknappen (D) i läget Prime/Clean.



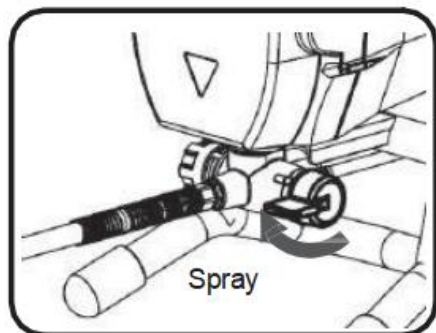
6. Sätt strömbrytaren PÅ/AV (B) i läget PÅ.



7. När en jämn ström av rengöringsvätska strömmar från primerutgångsröret (H),



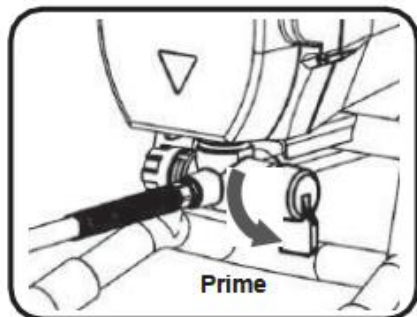
vrid spray-/primeromkopplaren (F) till sprayläget.



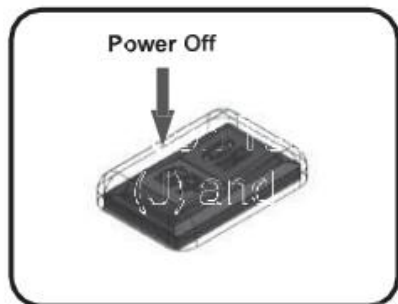
8. Rikta sprutpistolen mot avfallsbehållaren samtidigt som du håller någon metalldel av sprutpistolen stadigt mot sidan av behållaren för att upprätthålla jordkontinuiteten för pistolen och hinken, tryck sedan på avtryckaren tills den enda vätskan som kommer ut från pistolen är rengöringsvätska .



9. Ändra spray/prime-omkopplaren (F) till Prime Position, upprepa sedan steg 7 och 8 tills endast rengöringsvätska kommer ut ur sprutan.



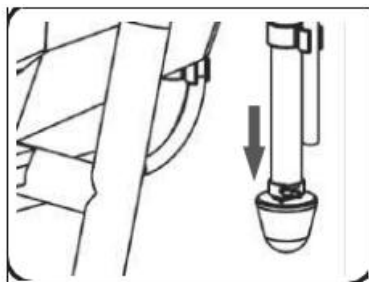
10. Sätt PÅ/AV-omkopplaren (B) i AV-läget och dra ur nätsladden.



## **RENGÖRING AV INSLUTSSLANGEN**

8. Ta bort skärmen (K) från sugröret (J) genom att lossa slangklämman och flytta bort den från filtret.

2. Dra ut inloppssilen (K) och skölj med lämplig rengöringsvätska.

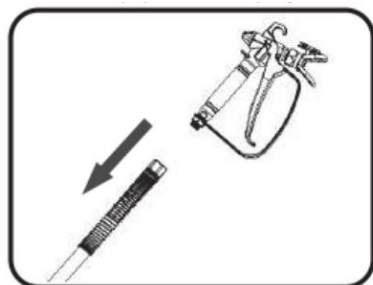


3. Om inloppsskärmen (K) inte kan rengöras, byt ut den mot en ny inloppsskärm.

## **RENGÖRING AV SPRAYPISTON**

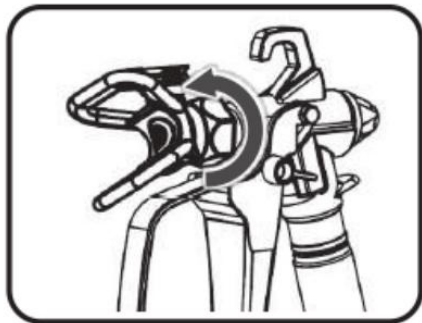
1. Följ TRYCKKAVLÄSNINGSPROCEDUREN den 9.

2. Använd ett par skiftnycklar och ta bort högtrycksslangen (M) från sprutpistolen.



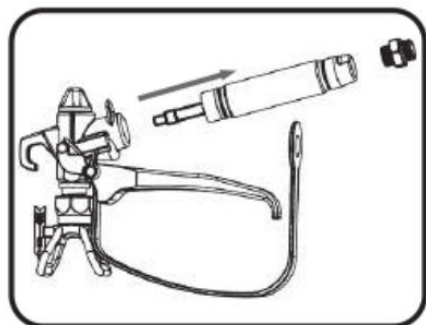
3. Använd en skiftnyckel för att ta bort munstycksspetssskyddet (Q) och

munstyckssprutspetsen (P) från pistolen och placera den i rengöringsvätskan.



4. Använd en skiftnyckel och ta bort inloppsporten (V) från pistolen.

5. Flytta handtagsskyddet ur vägen och använd en skiftnyckel för att ta bort handtaget (T) från sprutpistolens överkropp.



6. Ta bort nätfiltret från handtaget (T) och placera det i rengöringsvätskan.

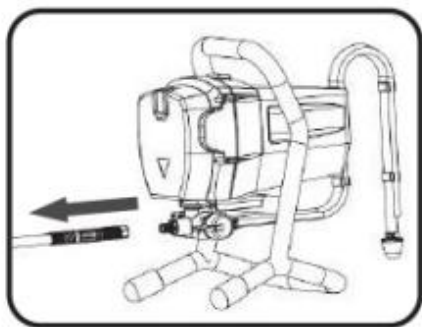
7. Använd en mjuk borste för att rengöra alla komponenter i rengöringsvätskan.

8. När rengöringen är klar, sätt tillbaka sprutpistolen.

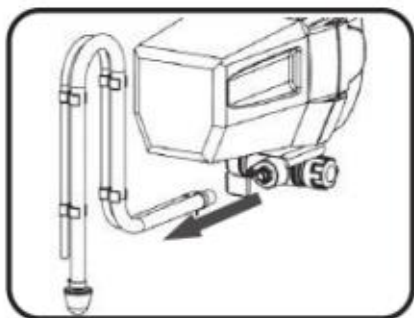
## **FÖRVARING AV SPRUTAN**

Det är mycket viktigt att sprutan INTE förvaras med vatten eller vattenbaserat material inuti pumpen, slangen, rören eller sprutpistolen. Vatten som finns kvar i dessa föremål kommer att orsaka korrosion och skada dem. Följ dessa procedurer för att förvara sprutan.

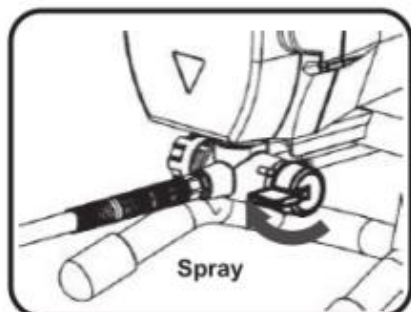
29. Innan du förvarar sprutan, följ stegen för rengöring av sprutan och sprutpistolen.



30. Ta bort högtrycksslangen från sprutan.



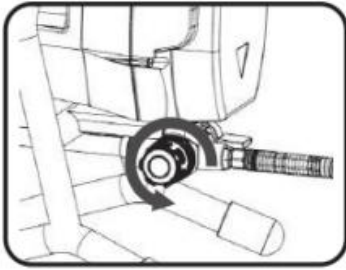
31. Ta bort primerutgångsröret (H) och sugröret (J) med inloppsskärm (K) från pumpen.



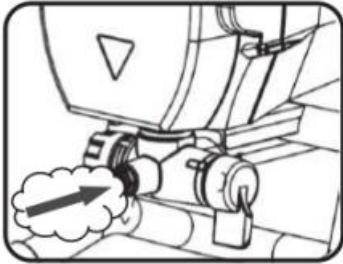
32. Med sprutan vänd, tillsätt ett uns (30ml) lätt maskinolja för flera ändamål såsom symaskinolja eller ISO 22-olja till både sugröret (J) och primerutgångsröret (H).

5. Ställ spray/prime-omkopplaren (F) i sprayläge.

6. Ställ in tryckkontrollratten (D) i läge Låg spray.



7. Använd en trasa för att täcka utgångsporten (E).



8. Placera strömbrytaren PÅ/AV (B) till PÅ-läget i FEM SEKUNDER, vrid sedan strömbrytaren PÅ/AV (B) till läget AV.



9. Ställ in spray/prime-omkopplaren (F) i primeläge för att säkerställa att oljan stannar i systemet medan den förvaras.


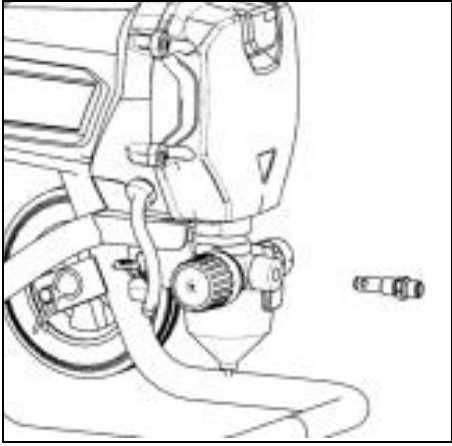

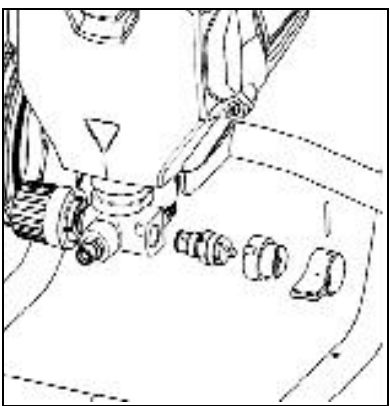
10. Sätt tillbaka primerutgångsröret (H) och sugröret (J) på pumpen.

11. Torka av sprutan med en ren trasa och förvara utom räckhåll för barn.

### **Spraytips**

Rengör alltid spetsarna med kompatibel rengöringsvätska och borsta efter besprutning. Spetsar kan behöva bytas ut efter 15 gallon (57 liter) eller så kan de hålla till 60 gallon (227 liter) beroende på färgens nötningsförmåga.

Lista över ersättningsdelar

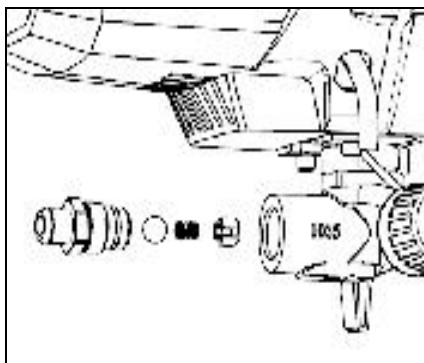
ARTIKEL	Del	Hur man finfördelar delarna
1	Utloppsventilenhet 	Använd en skiftnyckel för att skruva loss utloppsventilenheten 
2	Övertrycksventilenhet 	Slå ut det cylindriska stiftet, ta bort omkopplavredet och bytsätet och använd sedan en justerbar skiftnyckel för att skruva loss övertrycksventilenheten. 

3

## Matarventilenhet



Ta bort den anslutna matarrörsenheten, skruva sedan loss matarskruvpluggen med den justerbara skiftnyckeln och ta ut matarventilens stålkula, matarfjädern och matarfjädersns säte.



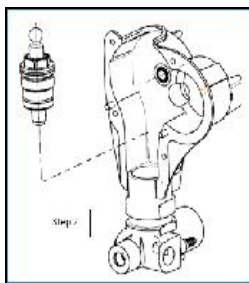
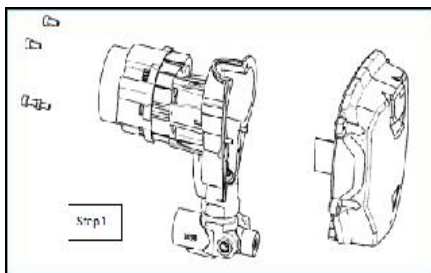
4

## Kolvmontering



1. Använd sexkantnyckeln på motsatt sida 5 för att skruva loss de 4 sexkantsskruvarna för att separera pumphuset och pumpkåpan.

2. Använd förlängningshylsan på motsatt sida 22 för att ta bort kolvenheten.



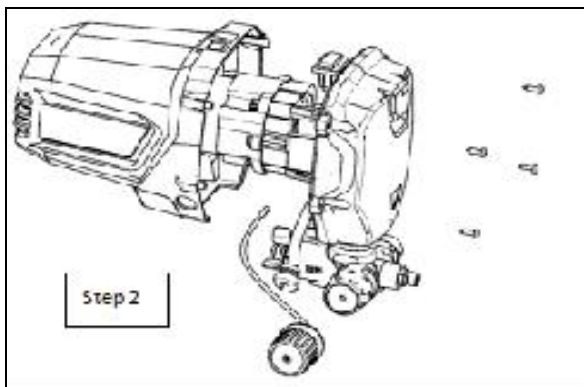
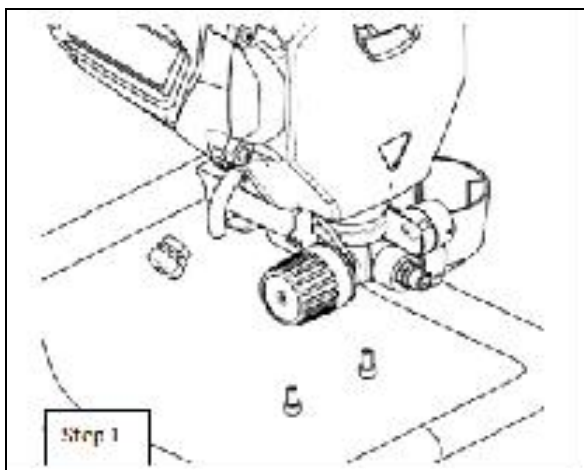
5

### Övertrycksventilenhet



8. Ta bort nätsladden utan att dra av den, skruva loss de två skruvarna i botten och ta bort pumphuvudet från ramen.

2. Skruva loss de fyra självgångande skruvarna på pumpkåpan och separera det bakre huset och pumpkåpan. Koppla ur tryckregulatorns ventilkabel. Vrid tryckregleringsventilen moturs för att exponera bajonettytan, och använd en justerbar skiftnyckel för att skruva loss övertrycksventilenheten.



**Materialkompatibilitet - Material och färger som kan användas**



**VATTENBASERAT MATERIAL:** Alla sprutor KAN användas med vattenbaserade interiör- och exteriörmaterial. Innan du sprutar vattenbaserade material, spola din spruta med vatten.

Exempel: Trälack, Latex, Fläckar...

**OLJEBASERAT MATERIAL:** Alla sprutor KAN användas med oljebaserade interiör- och exteriörmaterial. Materialetiketten indikerar BRÄNNBAR och att den kan rengöras med mineralsprit eller thinner. Innan du sprutar med oljebaserade material, spola din spruta med mineralsprit.

Exempel: Akryl, Dekorativ färg...

### **Materialkompatibilitet - Material och färger som inte kan användas**

#### **LÖSNINGSMEDDELBASERAD BRANDFARLIGT MATERIAL**

**MATERIAL SOM ÄR FÖR tjock** - kräver en större kommersiell högtrycksspruta eller texturspruta

- Däck och betongrestaurering
- Elastomer
- Takbeläggning - tätningsmedel, färg eller primer
- Epoxi för betong eller snabbtorkande 1- eller 2-komponentmaterial
- Tvåkomponentsmaterial som limgrund, garagegolvsfärg
- Uppfartstätning
- Textur eller sandfyllt material
- Gips
- Material som inkluderar kalksten, glas, lera, kvarts som specialmurverk, stuckatur, tegelfärg

- Metallic lack
- Magnetisk färg eller primer

#### **FARLIGA MATERIAL**

- Färg- och fläckborttagare
- Blekmedel eller annat material som innehåller blekmedel
- Herbicid
- Insektsmedel eller bekämpningsmedel
- Desinfektionsmedel

## **UNDERHÅLL & REPARATION**

## **DAGLIGT UNDERHÅLL**

Utrustningens livslängd är direkt relaterad till kvaliteten på underhållet. Följ dessa riktlinjer för att säkerställa en lång livslängd på utrustningen.

Följ alltid rengöringsproceduren omedelbart efter användning. Färg eller vatten kvar i utrustningen kommer att orsaka blockeringar eller korrosion som gör att enheten slutar fungera.

Använd tryckavlastningsproceduren när du stänger av, justerar, utför underhåll eller reparation.

Se till att du eller annan operatör har läst och förstått denna bruksanvisning innan du använder utrustningen.

Rulla upp högtrycksslangen efter rengöring för att förhindra skador.

Tillsätt med jämna mellanrum lätt maskinolja för flera ändamål, såsom symaskinsolja eller ISO 22-olja, till sprutan, enligt beskrivningen i avsnittet Lagring av sprutan, om den förvaras under en längre period.

## **REPARERA**

- Låt ditt elverktyg servas av en kvalificerad reparatör som endast använder identiska reservdelar. Detta säkerställer att elverktygets säkerhet upprätthålls.
- Håll alla skruvar, muttrar, brickor, packningar och elektriska kopplingar borttagna under reparationen. Dessa delar är vanligtvis inte försedda med ersättningssatser.
- Gå igenom avsnittet med titeln Felsökning för att hjälpa dig att identifiera eventuella problem.
- Använd inte sprutan utan motorkåpan på plats. Byt ut om den är skadad. Motorhöljet riktar kylluft runt motorn för att förhindra överhettning och isolerar styrcortet för att förhindra oavsiktlig stöt.

## CAUTION

- Do not run the sprayer dry for more than 30 seconds. Doing so could damage the pump packing **seals**.
- Protect the internal drive parts of the sprayer from water. Openings in the cover allow for air cooling of both the mechanical parts and electronics. If water enters these openings, the sprayer may malfunction or be permanently damaged.
- Prevent corrosion or freezing of the pump to avoid damage. Fluids that freeze within the sprayer or High-Pressure hose will cause permanent damage. Always store the sprayer with a multi-purpose light machine oil such as sewing machine oil or ISO 22 oil added to the sprayer pump as described in the section titled Storing the Sprayer.

## VAL AV SPRAYTIP

Sprutspetsar är numrerade så att:

### VAL AV SPRAYTIP

- Den första siffran, multiplicerad med två, ger spraybredden i tum (med sprayspetsen 30 cm bort från ytan som sprayas).
- De sista två siffrorna anger öppningens storlek i tusentals tum (Obs: en större öppning ökar färgflödet).
- Följande rekommenderade sprutmunstyckesstorlekar för olika typer av beläggningsmaterial: Lack & bets: 0,007" — 0,013" Emalj: 0,011" — 0,015" Akryl: 0,015" — 0,021"

**MUNSTYCKE SPRAY DRICKS URVAL DIAGRAM**

Öppning Storlek (tum)

	0,007"	0,009"	0,011"	0,013"	0,015"	0,017"	0,019"	0,021"	0,023"	0,025"	0,027"	0,029"	0,031"	0,033"	0,035"
2-4 _	107	109	111	113	115	117	119	121				129			
4-6 _		209	211	213	215	217	219	221		225	227	229	231		235
6-8 _	307	309	311	313	315	317	319	321	323	325	327	329	331	333	335
8-10 _		409	411	413	415	417	419	421	423	425	427	429	431	433	435
10-12 _		509	511	513	515	517	519	521	523	525	527	529	531	533	535
12-14 _		609	611	613	615	617	619	621	623	625	627	629	631	633	635
14-16 _			711	713	715	717	719	721	723	725	727	729	731	733	735
16-18 _				813	815	817	819	821	823	825	827	829	831	833	835
18-20 _									923		927		931	933	935

## FELSÖKNING

Problem	Orsak	Lösning
Kraft växla är på, och spruta är pluggat i, men motor gör inte kör och pumpa cyklar inte.	Tryck Kontrollera Knopp är uppsättning på noll tryck.	Sväng Tryck Kontrollera Knopp medurs till öka tryckinställningen.
	Motor eller kontrollera är skadad.	Ha de spruta servad förbi a kvalificerad reparatör.
	Elektrisk utlopp är inte tillhandahålla kraft.	Prova a olika uttag eller testa utlopp med annan apparat eller krets testare. Återställa de krets brytare eller Ersätt säkring.
	Förlängning sladd är skadad.	Byta ut de förlängningssladd.
	Spruta elektrisk sladd är skadad.	Dra ur de sprutsladd och kolla upp för trasig isolering eller ledningar. Byta ut om skadad.

	Måla och/eller vatten är frysta eller har härdat i pumpen.	Koppla bort sprutan från uttaget. Om frusna, försök inte starta sprutan fram tills Det är fullständigt tinat eller de motor, styrkort och/eller drivlina vara permanent skadad. Säkerställa de kraft växla är AV, plats de spruta i a värma område för flera timmar, sedan plugg i de kraft sladd och slå PÅ sprutan. Långsamt öka tryck miljö till ser om de motor kommer Start.  Om måla har härdade in de spruta, den pump packningstätningar, ventiler, drivlina, och/eller tryckbrytare behöver vara ersatt. Ha de spruta servad förbi a kvalificerad reparatör.
Pump gör inte främsta.	Spray/Prime Växla är i Spray placera.	Sväng Spray/Prime Switch till främsta placera (pekande ner)
	Inloppsskärmen är igensatt, eller sugning rör är inte nedsänkt.	Rena skräp från inlopp skärm och göra Säker de sugning rör är nedsänkt i vätska.
	Pump var inte grundad med vatten eller lösningsmedelsbaserad spolvätska.	Ta bort suget rör från måla. främsta de pump med rätt spolvätska.
	Inlopp ventil kolla upp boll är fastnat.	Ta bort suget rör och placera a penna in i de inloppssektion till rubba de boll, tillåter de pump till främsta ordentligt.
	Inlopp ventil kolla upp boll eller plats är smutsig.	Avlägsna inlopp passande. Rengör eller Ersätt boll och säte.
	Utlopp kolla upp boll eller plats är smutsig.	Avlägsna de utlopp passande. Rena eller byta ut bollen och sätet.
	Sugning rör är läcker.	Spänna de sugning rör förbindelse. Inspektera för sprickor eller vakuum läckor.

	Vätskor är viskös eller klubbig.	Några vätskor Maj främsta snabbare om de Kraft Omkopplaren är tillfälligt avstängd så att pump burk långsam och sluta. Upprepa flera gånger om det behövs.
<b>Problem</b>	<b>Orsak</b>	<b>Lösning</b>
Pump cykler men gör inte bygga upp tryck.	Pump är inte grundad.	främsta de pump.
	Inlopp skärm är igensatt	Rengör skräpet från inloppsskärmen och göra Säker de sugning rör är nedsänkt i vätska.
	Sugning rör är inte nedsänkt i måla.	Göra Säker de sugning rör är nedsänkt i färgen.
	Sugning rör är läcker.	Dra åt sugrörsanslutningen. Inspektera röret för sprickor eller vakuüm läckor. Om sprucket eller skadad, byta ut de sugning rör.
	Spray/Prime Ventil är bärs eller blockerad av skräp.	Ha de spruta servas av a kvalificerad reparatör.
	Inlopp ventil kolla upp boll är fastnat.	Ta bort sugröret och placera en penna in i de inloppssektion till rubba de boll, tillåter de pump till främsta ordentligt.
	Inlopp ventil kolla upp boll eller plats är smutsig.	Avlägsna inlopp passande. Rengör eller Ersätt boll och säte.
	Utlopp kolla upp boll eller plats är smutsig.	Avlägsna de utlopp passande. Rena eller byta ut bollen och sätet.
Pumpen cyklar men bara målar dribblingar eller	Tryck uppsättning för låg.	Långsamt sväng de Tryck Kontrollera Knopp medurs till öka tryck miljö.

sprutar när de spray pistolen utlöses.	Munstycke Spray Dricks är igensatt.	Unclog de Munstycke Spraymunstycke .
	Spray pistol filtrera är igensatt.	Rena eller byt ut de filtrera i de spray pistol.
	Munstycke Spray Dricks är för stor eller <b>WOITI</b> .	Byta ut de Munstycke Spraymunstycke .
Tryck är uppsättning på maximal men kan inte uppnå en bra spray mönster.	Munstycke Spray Dricks är i de Unclog placera.	Lindra tryck och rotera de Munstycke Spray Dricks så de pil är pekande bort från handtaget.
	Munstycke Spray Dricks är för stor för färgen som sprutas.	Välj a mindre Munstycke Spray Dricks.
	Munstycksspray Dricks är bärs.	Byta ut de Munstycke Spraymunstycke .
	Förlängning sladd är för lång eller inte tillräckligt tung mätare.	Byta ut de förlängning sladd med a 12 AWG sladd.
	Spray pistol vätska filtrera är igensatt.	Rena eller byta ut de spray pistol vätska filtrera.
	Inlopp skärm är igensatt.	Rena skräp från inlopp skärm.

	Pump ventiler är bärs, eller skräp täpper igen ventilerna.	Till kolla upp för bärs pump ventiler: främsta de spruta med färg. Avtrycka pistolen tillfälligt. W höna de utlösare är släppte, pumpen bör cykla momentant och sluta. Om Det fortsätter till cykel, sedan de pump ventil kan bäras.
	Måla material är för tjock.	Tunn de måla material.
	Hög tryck slang är för lång.	Om annan slang sektion har varit Lagt till, ta bort slangförlängningen.
<b>Problem</b>	<b>Orsak</b>	<b>Lösning</b>
Spray pistol stannade besprutning.	Sugning rör är läcker.	Dra åt sugning rör förbindelse. Inspektera de rör för sprickor eller Vakuum läckor.
	Munstycke Spray Dricks är igensatt.	Unclog de Munstycke Spraymunstycke .
Måla springer ner de vägg eller sjunker.	Täcka är gående på för tjock.	<p>Flytta de pistol snabbare.</p> <p>Välja a Munstycke Spray Dricks med a mindre öppning.</p> <p>Välja a Munstycke Spray Dricks med a bredare fläkt.</p> <p>Säkerställa a tillräcklig distans (1 fot eller 30 cm) från pistolen till den målade yta.</p>



Rapportering är för tunn eller sprutas färgen är otillräcklig.	Täcka är gående på för tunn.	Flytta de pistol långsammare. Välja ett munstycke Spray Tipsa med a större öppning. Välja a Munstycke Spray Dricks med a smalare fläkt. Säkerställa a tillräcklig distans (1 fot eller 30 cm) från pistolen till den målade yta.
Fläkt mönster varierar dramatiskt medan besprutning. ELLER Spruta gör inte sväng på omgående när återupptas besprutning.	Tryckkontrollratten är bärs och orsakar överdrivet tryck variation.	Ha de spruta servad förbi a kvalificerad reparatör.
Kan inte utlösas de spray pistol.	Spray pistol utlösare låsa är låst.	Rotera de utlösa säkerhet spak till de låsa upp placera.
Måla är kommande ut av de tryckkontrollratt.	Tryck Kontrollera Knopp är bärs.	Ha de spruta servas av a kvalificerad reparatör.
Spray/Prime-ventil aktiveras automatiskt lindrande tryck genom de Produktion främsta Rör.	Systemet är övertryckt.	Ha de spruta servad förbi a kvalificerad reparatör.

Måla läckor ner de utanför av de pump.	Pump förpackning sälar har bärs.	Byt ut pumpen förpackning tätningar.
Motorn är varm och går intermitterent. Motor automatiskt stängs av på grund av till överflödig värme. Skada burk inträffa om orsak är inte rättad.	Ventilera hål i motor inhägnad är pluggade eller sprutan är täckt.	Ha kvar ventilerade hål klar av hinder och överspruta, och behåll sprutan avtäckta och öppna för luft.
	Förlängning sladd är för lång eller inte tillräckligt tung mätare.	Byta ut de förlängning sladd med a 12 AWG sladd.
	Oreglerad elektrisk generator som används har överdriven Spänning.	Använda sig av en elektrisk generator med a rätt spänningsregulator. Sprayer kräver en 120VAC, 60Hz, 1500-Watt generator.

## DELAR DIAGRAM



Nej.	Beskrivning	Nej.	Beskrivning	Nej.	Beskrivning	Nej.	Beskrivning
1	Airless Spray Pistol	34	Tryck. Lättnad Ventilsåte _	67	Motor hopsättning	100	Låsning Ringa
2	Hög Tryck Slang	35	O-ring, 5 x 1.8	68	Stift, 3 x12	101	PCB hopsättning
3	Fot Dynor	36	Ringa	69	Hex Bult, FRÖKEN x 14	102	Själv Tappning Skruva
4	Bas Ram	37	Tryck. Lättnad Ventil Axel	/ O	Vår Bricka, M5	103	Baslinje Tallrik
5	Hex Bult, M6 x 25	38	Vår	71	Sammansatt Behålla Ringa	104	Bult, M4 x 20
6	PumpCover	39	Vår Plats	72	O-ring, 22.5 x 1.8	105	Bult, M4.8 x 16
7	Sm Mässing Bussning	40	Stift, 3 x8	73	Fälla	106	Roller Brg. Cvr.
8	Lg Mässing Bussning	41	Växla Plats	74	Platt Bricka	107	Tratt
9	Stift, 5 x 12	42	Växla Knopp	75	Täta Ringa	108	Platt Bricka, M4
10	Roller Lager	43	Stift, 2.5 x25	76	O-ring, 26,5 x 1.8	109	Vår Bricka, M4
11	Ansluter stav	44	Nylon Kabel Slips	77	Kolv Plats	110	Tryck. Ctl. Packning
12	Vev Kuggghjul	45	Inlopp Vår Hållare	78	Guide Slida	111	Tryck. Ctl. Indikator Ringa
13	Klunga Redskap	46	Inlopp Vår	79	Kolv		
14	Tråd Beskyddare	47	Stål Boll, 12.7	80	Låsa Årm		
15	Ansvarsfrihet Ventilsåte _	48	Inlopp Täta	81	Förstärkt Täta		
16	O-ring, 10 x 8	49	Inlopp Bricka	82	Vit Täta		
17	Produktion vår	50	O-ring, 17 x 1,8	83	Växla Axel		
18	Dorn	51	Inlopp Hamn	84	O-ring, 8,8 x 1.9		
19	Stål Boll, 6.4	52	Tryck. Lättnad Plugg	85	O-ring, 27 x 2.4		
20	SealSeat	53	Sm Slang Klämma	86	Bult, M3 x 10		

21	Produktion Bricka	54	Lg Slang Klämman	87	Slutet Keps		
22	Tryckknapp	55	Primer Produktion Rör	88	Mikrobrytare Assy.		
23	Tryckknapp Vår	56	Sugning Rör	89	Mikrobrytarskydd		
24	O-ring, 10 x 1.5	57	Slangklämman	90	Tryck. Ctl. Plats Föra in		
25	Tryckknapp Axel	58	Inlopp Skärm Assy.	91	Deflationstak _		
26	Tryckknapp Vår	59	Strömsladd	92	Tryck. Ctl. Vår		
27	Mässing Spacer	60	Låsmutter	93	Vår Plats		
28	Behålla Ringa	61	Skruva, M4 x 8	94	Tryck. Ctl. Knopp		
29	O-ring 2.4 x 1.8	62	Sladd Anstränga Lättnad	95	Tryck. Ctl. Skruva		
30	Tryckknapp Hus	63	Motor Hus	96	PCB Stöd Brkt.		
31	Pump Hus	64	Kraft Växla	97	Bult, M4 x 10		
32	Plast Bricka	65	Fläkt Svepa	98	Tråd Anslutning		
33	Plast Bricka	66	Bult, 2 x16	99	Nylon Kabel Slips		

**Address:** Baoshanqu Shuangchenglu 803long 11hao 1602A-1609shi Shanghai  
**Importerad till AUS:** SIHAO PTY LTD . 1 ROKEVA STREETEASTWOOD NSW  
2122 Australien

**Importerad till USA:** Sanven Technology Ltd. Suite 250, 9166 Anaheim Place,  
Rancho Cucamonga, CA 91730

<b>EC</b>	<b>REP</b>	SHUNSHUN GmbH Römeräcker 9 Z2021,76351 Linkenheim-Hochstetten, Germany
-----------	------------	--

<b>UK</b>	<b>REP</b>	Pooledas Group Ltd Unit 5 Albert Edward House, The Pavilions Preston, United Kingdom
-----------	------------	--

**Tillverkad i Kina**



**VEVOR**<sup>®</sup>

**TOUGH TOOLS, HALF PRICE**

**Teknisk Support och e-garanticertifikat**

**[www.vevor.com/support](http://www.vevor.com/support)**

# **VEVOR<sup>®</sup>**

**TOUGH TOOLS, HALF PRICE**

Technical Support and E-Warranty Certificate [www.vevor.com/support](http://www.vevor.com/support)

## **AIRLESS SPRAY GUN**

We continue to be committed to provide you tools with competitive price.

"Save Half", "Half Price" or any other similar expressions used by us only represents an estimate of savings you might benefit from buying certain tools with us compared to the major top brands and does not necessarily mean to cover all categories of tools offered by us. You are kindly reminded to verify carefully when you are placing an order with us if you are actually saving half in comparison with the top major brands.



# VEVOR<sup>®</sup>

TOUGH TOOLS, HALF PRICE

## AIRLESS SPRAY GUN



**MODEL:821**







### NEED HELP? CONTACT US!



Have product questions? Need technical support? Please feel free to contact us:

**Technical Support and E-Warranty Certificate**  
**[www.vevor.com/support](http://www.vevor.com/support)**

This is the original instruction, please read all manual instructions carefully before operating. VEVOR reserves a clear interpretation of our user manual. The appearance of the product shall be subject to the product you received. Please forgive us that we won't inform you again if there are any technology or software updates on our product.

## 1. Important safety instructions

	<p>Warning - To reduce the risk of injury, the user must read the instructions manual carefully. Read and understand this instruction manual prior to using this product. failure to do so may result in serious injury or death.</p>
	<p>Warning- Be sure to wear ear protectors when using this product.</p>
	<p>Warning- Be sure to wear eye protectors when using this product.</p>
	<p>Warning- Be sure to wear dust masks when using this product.</p>
	<p><b>FIRE AND EXPLOSION Hazard</b> Solvent and paint fumes can ignite or explode</p> <p>To help prevent a fire or explosion</p> <ul style="list-style-type: none"> <li>·Use outdoors or in a well ventilated area.</li> <li>·Avoid all ignition sources such as static electricity from plastic drop cloths, open flames such as pilot lights, hot objects such as cigarettes, and arcs from connecting or disconnecting power cords and turning light switches off or on.</li> <li>·Tape wall switches to prevent them from being turned off or on.</li> <li>·Use only or Graco airless paint hoses.</li> <li>·Ground sprayer, objects being sprayed, and paint/solvent pails.</li> <li>·Hold metal part of gun firmly to side of a grounded metal pail when triggering into pail.</li> <li>·Do not use 1,1,1 Hydroelectrically, methylene chloride other halogenated hydrocarbon solvents or fluids containing such solvents in this gun or any other pressurized aluminum equipment. Such use could result in a chemical reaction and an explosion.</li> </ul>
	<p><b>FLUID INJECTION HAZARD</b> High-pressure spray or leaks can inject fluid into the body. If high-pressure fluid pierces you skin, the injury might look like use a cut, but it is a serious wound. Get immediate medical attention.</p> <p>To help prevent injection</p> <ul style="list-style-type: none"> <li>·Always put gun trigger safety in SAFETY ON position when not</li> </ul>

	<p>spraying.</p> <ul style="list-style-type: none"> <li>·Always relieve pressure before you check or repair leaks and when you stop spraying.</li> <li>·Never use components rated less than system Maximum Working Pres- sure.</li> <li>·Never allow children to use this gun.</li> <li>·Never point gun at yourself or anyone else</li> </ul>
	<p><b>FLUID SPLASHBACK HAZARD</b></p> <p>To avoid splashback of fluid while spraying, make sure the spray gun is assembled with the correct gasket for the fluid being sprayed. See Installing the Tip.</p> <p><b>RECOIL HAZARD :</b></p> <p>Brace yourself. The gun may recoil when triggered.</p>

- Do not spray flammable or combustible materials near an open flame, pilot lights or sources of ignition such as hot objects, cigarettes, motors, electrical equipment and electrical appliances. Avoid creating sparks from connecting and disconnecting power cords.

- For units intended for use with only water-based or mineral spirit-type materials with aluminum flash point of 38°C(100°F)— Do not spray or clean with liquids having a flashpoint of less than 38°C(100°F). Flash point is the temperature at which a fluid can produce enough vapor to ignite.


- Use extreme caution when using materials with a flashpoint below 100F(38°C). Refer to your pump manual to determine if these materials can be sprayed.

- Paint or solvent flowing through the equipment is able to result in static electricity. Static electricity creates a risk of fire or explosion in the presence of paint or solvent fumes. All parts of the spray system, including the pump, hose assembly, spray gun and objects in and around the spray area shall be properly grounded to protect against static discharge and sparks. Use only conductive or grounded high-pressure airless paint sprayer hoses specified by the manufacturer.

- Verify that all containers and collection systems are grounded to prevent static discharge.

- Connect to a grounded outlet and use grounded extension cords (electric models only). Do not use a 3 to 2 adapter.

- Do not use a paint or solvent containing hydrogenated hydrocarbons. Such as chlorine, bleach mildewcide, methylene chloride and trichloroethane. They are not compatible with aluminum. Contact the coating supplier about compatibility of material with aluminum.
- Keep spray area well ventilated. Keep a good supply of fresh air moving through the area to keep the air within the spray area free from accumulation of flammable vapors. Keep pump assembly in well ventilated area. Do not spray pump assembly.
- Do not smoke in the spray area.
- Do not operate light switches, engines, or similar spark producing products in the spray area.
- Keep area clean and free of paint or solvent containers, rags, and other flammable materials.
- Know the contents of the paint and solvents being sprayed. Read all Material Safety Data Sheets (MSDS) and container labels provided with the paints and solvents. Follow the paint and solvent manufacturer's safety instructions.
- Place pump at least 25 feet (7.62 meters) from the spray object in a well ventilated area (add more hose if necessary). Flammable vapors are often heavier than air. Floor area must be extremely well ventilated. The pump contains arcing parts that emit sparks and can ignite vapors.
- Plastic can cause static sparks. Never hang plastic to enclose spray area. Do not use plastic drop cloths when spraying flammable material.
- Fire extinguisher equipment shall be present and working.

	<p><b>WARNING: INJECTION INJURY</b></p>
	<p>A high pressure paint stream produced by this equipment can pierce the skin and underlying tissues, leading to serious injury and possible amputation. See a physician immediately.</p>

- Do not aim the gun at, or spray any person or animal.
- Keep hands and other body parts away from the discharge. For example, do not try to stop leaks with any part of the body.
- NEVER put your hand in front of the gun. Gloves will not provide

protection against an injection injury.

- ALWAYS keep the tip guard in place while spraying. The tip guard provides some protection but is mainly a warning device

- Only use a nozzle tip specified by the manufacturer.

- Use caution when cleaning and changing nozzle tips. In the case where the nozzle tip clogs while spraying, ALWAYS lock gun trigger, shut pump off, and release all pressure before servicing, cleaning tip or guard, or changing tip. Pressure will not be released by turning off the motor. The PRIME/SPRAY valve or pressure bleed valve must be turned to its appropriate positions to relieve system pressure. Refer to PRESSURE RELIEF PROCEDURE described in the pump manual.

- Do not leave the unit energized or under pressure while unattended.

When the unit is not in use, turn off the unit and relieve the pressure in accordance with the manufacturer's instructions.

- High-pressure spray is able to inject toxins into the body and cause serious bodily injury. In the event that injection occurs, seek medical attention immediately.

- Check hoses and parts for signs of damage, a leak can inject material into the skin. Inspect hose before each use. Replace any damaged hoses or parts. Only use TITAN original high-pressure hoses in order to ensure functionality, safety and durability.

- This system is capable of producing 3600psi/ 248 Bar. Only use replacement parts or accessories that are specified by the manufacturer and that are rated a minimum of 3600PSI. This includes spray tips, nozzle guards, guns, extensions, fittings, and hoses.

- Always engage the trigger lock when not spraying. Verify the trigger lock is functioning properly.

- Verify that all connections are secure before operating the unit.

- Know how to stop the unit and bleed pressure quickly. Be thoroughly familiar with the controls. Pressure will not be released by turning off the motor. The PRIME/SPRAY valve or pressure bleed valve must be turned to its appropriate position to relieve system pressure. Refer to PRESSURE RELIEF PROCEDURE described in the pump manual.

- Always remove the spray tip before flushing or cleaning the system.

**NOTE TO PHYSICIAN:**

**Injection into the skin is a traumatic injury which can lead to possible amputation. It is important to treat the injury as soon as possible. DO NOT delay treatment to research toxicity. Toxicity is a concern with some coatings injected directly into the blood stream. Consultation with a plastic surgeon or reconstructive hand surgeon may be advisable.**



**WARNING:**

**GENERAL Can cause severe injury or property damage**

Always wear appropriate gloves, eye protection, clothing and a respirator or mask when painting.

- Do not operate or spray near children. Keep children away from equipment at all times.
- Do not overreach or stand on an unstable support. Keep effective footing and balance at all times.
- Stay alert and watch what you are doing.
- Do not operate the unit when fatigued or under the influence of drugs or alcohol.
- Do not kink or over-bend the hose. Airless hose can develop leaks from wear, kinking and abuse. A leak can inject material into the skin.
- Do not expose the hose to temperatures or pressures in excess of those specified by manufacturer.
- Do not use the hose as a strength member to pull or lift the equipment. Use the lowest possible pressure to flush equipment.
- Follow all appropriate local, state and national codes governing ventilation, fire prevention and operation.
- Before each use, check all hoses for cuts, leaks, abrasion or bulging of cover. Check for damage or movement of couplings. Immediately replace hose if any of those conditions exist. Never repair a paint hose. Replace with a conductive high-pressure hose.

- Do not spray outdoors on windy days. Always unplug cord from outlet before working on equipment (electric models only)

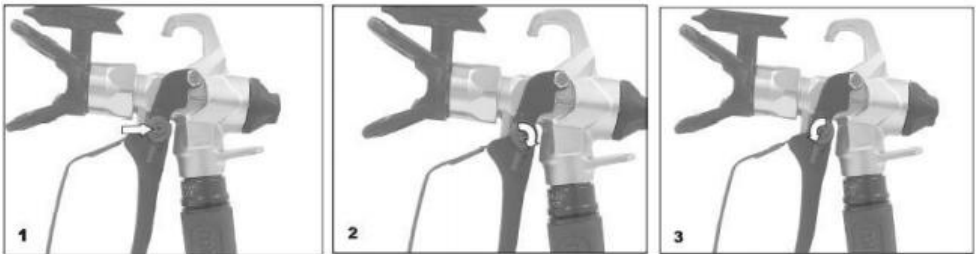
## **Instructions For Operation**

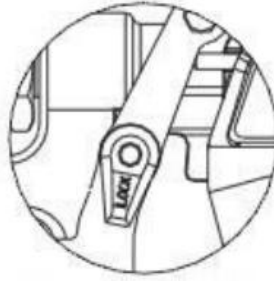
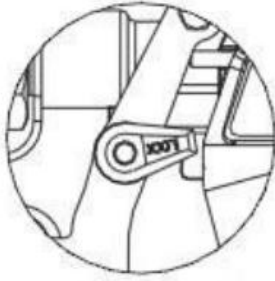


### **Using the Gun Trigger Lock**

Always engage the gun's trigger lock when the gun is not in use(1) after each use and store in a dry location. Do not leave the gun or any of its parts in water tension.

1. To lock the trigger, rotate the trigger lock backward until it stops(2) or solvents
2. To unlock the trigger, rotate the trigger lock forward until it is vertical(3).





**Trigger locked(gun will not spray)**      **Trigger unlocked(gun will spray)**

## **Setup**

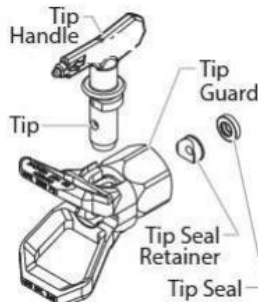
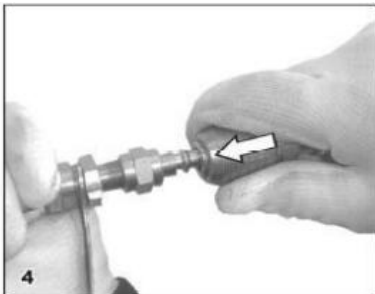


**Never attempt to assemble , change, or clean the gun, tip, or tip guard without first relieving pressure from the spray system. Follow the "Pressure Relief Procedure" in the sprayer's Manual.**



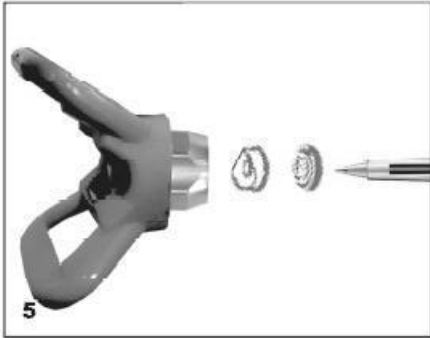
**Always use a tip safety guard for added protection against injection. Be ware that the guard alone will not prevent injection. Never cut off tip guard! Always engage gun trigger lock when the gun is not in use. Before servicing equipment, consult owner's Manuals and follow all warnings.**

1. Set up the sprayer. Refer to the instructions in the sprayer's Manual.
2. Attach a grounded, airless spray hose to the material inlet on the gun. Using two wrenches (one on the gun and one on the hose), tighten securely(4).

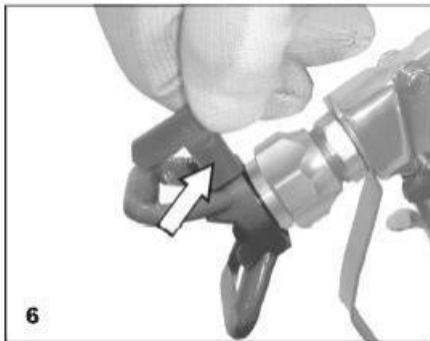




2. With the tip and tip guard off the gun, start the sprayer. Flush and prepare the spray system according to the sprayer's Owner's Manual. Inspect the spray system to make sure that all fittings are secure and that there are no leaks.
3. Perform the "Pressure Relief Procedure" described in the sprayer's Owner's Manual.
4. Using the arrow head on the tip handle, insert the tip seal and tip seal retainer into backache of the tip guard(5). Press in for final adjustment.



5. Insert the tip into the slot on the tip guard(6).



6. Thread the tip guard onto the gun. Position the tip guard in the desired spraying position and tighten securely.  
**NOTE:** The arrow on the tip handle should be pointing in the forward direction for spraying.

## Operation

1. Make sure the arrow on the tip handle is pointing in the forward direction for spraying.
2. Start the sprayer. Refer to the instructions in the sprayer's Manual.
3. Adjust the fluid pressure on the sprayer until the spray is completely atomized. Always spray at the lowest pressure necessary to get the desired results. NOTE: The spray tip determines the size of spray pattern and coverage. When more coverage is needed, use a larger tip instead of increasing fluid pressure.
4. To clear a clogged tip
  - A. Rotate the tip 1 80° so that the arrow on the tip handle is pointing opposite the spray direction.(7)
  - B. Trigger the gun once so that the pressure can blow the clog out. Important: Never pull the trigger more than once at a time with the tip in the reverse position.
  - C. Continue this procedure until the tip is clear of the clog



### Changing a Tip

Tips can be removed and replaced easily without disassembling the gun.

**Never attempt to change or clean the tip or tip guard without first performing the "Pressure Relief Procedure."**

1. Perform the "Pressure Relief Procedure" described in the sprayer's Manual.
2. Remove the tip from the slot on the tip guard.
3. Insert the new tip into the slot on the tip guard.

The arrow on the tip handle should be pointing in the forward direction.



### Removing the Seal and Tip Seal

1. Remove the tip and tip guard from the spray gun.

2. Remove the seal and tip seal from the back of the tip guard(8 )

### **Identifying Tip Sizes**

To identify tip sizes, use the following formula. A "517" tip size will be used in this example.

The first digit multiplied by two represents the size of the spray pattern when spraying 12"(30cm) away from the work surface:  $5 \times 2 = 10$ " spray pattern. The second two digits represent the diameter of the orifice on the tip:  $17 = .017$ "(0.43mm) orifice.

**NOTE: Worn spray tips will adversely affect the spray pattern and result in reduced production, poor finish, and wasted material.**

**Replace worn tips immediately.**

### **Cleanup**

Maintaining a clean gun is important to ensure trouble-free operation.

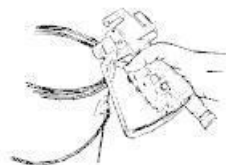
Flush the gun after each use and store in a dry location. Do not leave the gun or any of its parts in water or solvents.



### **Special cleanup instructions for use with flammable solvents:**

Always flush spray gun preferably outside and at least one hose length from spray pump.

- If collecting flushed solvents in a one gallon metal container, place it into an empty five gallon container, then flush solvents.
- Area must be free of flammable vapors
- Follow all cleanup instructions.
- Important: The sprayer, hose, and gun should be cleaned thoroughly after daily use. Failure to do so permits material to cake, seriously affecting the performance of the unit.



Always spray at minimum pressure with the tip and tip guard removed when using mineral spirits or any other solvent to clean the

sprayer, hose, or gun. Static electricity buildup may result in a fire or explosion in the presence of flammable vapors. Hold the gun firmly against a metal container while flushing.

## **Maintenance**



Follow all safety precautions as described in the Safety Precautions section of this manual before proceeding.

NOTE: Refer to the Parts List section in this manual for part identification.

### **Replacing/Serviceing the Seal Assembly**

If your spray gun leaks or spits at the tip when you release the trigger, the needle or seat is worn, damaged, or dirty and must be replaced or cleaned.



### **Never attempt to perform maintenance on the spray gun without first performing the “Pressure Relief Procedure.”**

1. Perform the “Pressure Relief Procedure” and disconnect the fluid hose from the gun.
2. Remove the end cap and the packing spring from the rear of the gun head.
3. Using a 3/8" socket, remove the packing seal assembly from the rear of the gun head.
4. Soak the removed parts in the appropriate solvent and wipe clean.
5. Inspect the parts for wear or damage and use new parts during reassembly of the gun.  
when necessary.

NOTE: Lubricate all pickings and moving parts before reassembly with a lithium-based grease.

6. Make sure the two re-tractor pins inside the gun head are still in the correct position
7. Insert the packing seal assembly into the rear of the gun head and thread it by hand until it stops.

8. Using a 3/8" socket, tighten the packing seal assembly. Torque to 5 Nm (3.7 ft./lbs.)
9. Grease both ends of the packing spring and place it over the packing seal assembly in the gun head.
10. Place the end cap over the packing spring so that the pilot inside the end cap seats inside the packing spring.
11. Push the end cap toward the gun head while threading it into the gun head. Using a wrench, tighten the end cap securely.
12. Perform the "Adjusting the Packing Seal Assembly" procedure described below.

### **Adjusting the Packing Seal Assembly**

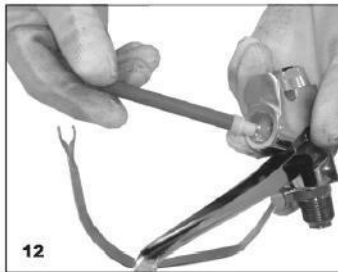
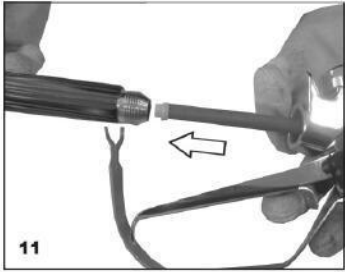
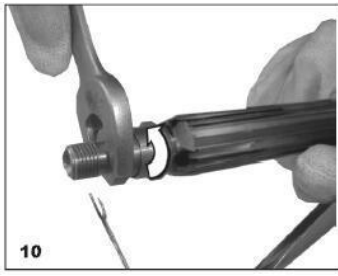
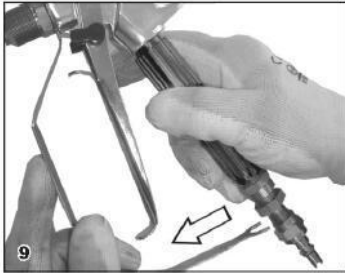


Proper adjustment of the seal assembly is essential to ensure positive shut-off when the trigger is released .

1. Insert an 1/8" hex wrench through the hole in the center of the end cap until it seats inside the packing seal adjustment screw.
2. Turn the packing seal adjustment screw clockwise until the ball on the packing seal assembly can be felt seating into position. Then, turn the screw 1/4 turn more for proper tension.

### **Replacing/Removing the Filter**

1. Pull the bottom of the trigger guard forward so that it comes loose from the handle assembly(9)
2. Loosen and remove the handle assembly from the gun head(10).
3. Pull the old filter out of the gun head(11).
4. Slide the new filter, tapered end first, into the gun head(12).
5. Make sure all the parts are clean and the handle seal is in position inside the gun head.
6. Thread the handle assembly into the gun head until secure.
7. Snap the trigger guard back onto the handle assembly.



## TECHNICAL SPECIFICATIONS

Type:	821	Operating Pressure	3600PSI
Type of Feed	Pressure	Standard Nozzle	0.017"(517)
Paint Connection	1/4-18NPSM	Pattern Width	254-305mm

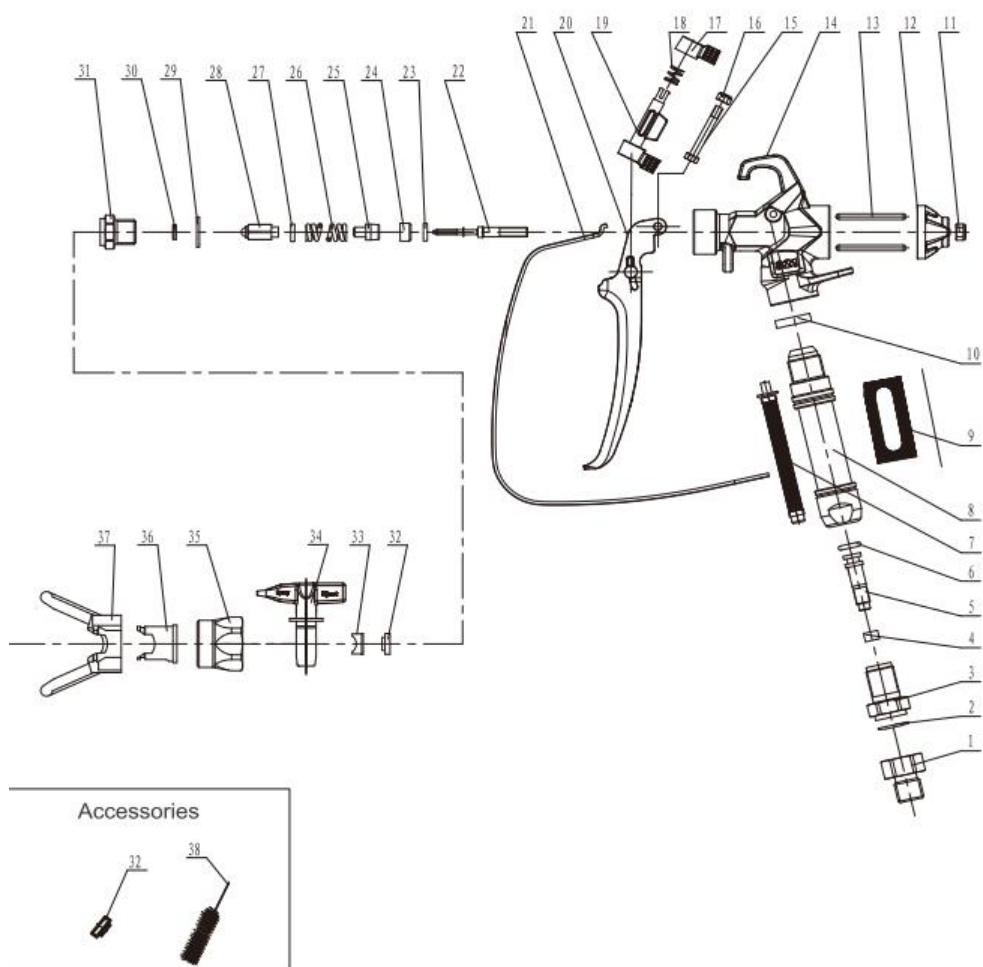
**SCFM:** Standard Cubic Feet per Minute (the volumetric flow rate of a far corrected to standardized conditions of temperature and pressure).

**NPT:** National Pipe Thread

### Environmental Responsibilities

Please recycle unwanted materials instead of disposing of them as waste. All tools, hoses and packaging should be sorted taken to the local recycling centre and disposed of in an environmentally safe way.

# ASSEMBLY DRAWING



# PARTS LIST

No	Description	Qty	No	Description	Qty	No	Description	Qty
1	Air Inlet Connector	1	14	Gun body	1	27	Thimble Head Washer	1
2	Washer	1	15	Hex bolt	1	28	Thimble Head Assembly	1
3	Material Inlet Joint	1	16	Hex Lock Nut	1	29	Plug Washer	1
4	Interval Washer	1	17	Trigger Pole Joint	1	30	Plug Insert	1
5	Material Connection Core	1	18	Spring	1	31	Plug seat	1
6	O-ring 6*2	1	19	Trigger Pole	1	32	Rubber Plug	1
7	Filter	1	20	Trigger	1	33	Nozzle Cap	1
8	Handle	1	21	Tigger Guarg	1	34	Reversible Tip Assembly	1
9	Handle Sheath	1	22	Thimble	1	35	Nut	1
10	Washer	1	23	Copper Washer	1	36	Tip Seat	1
11	Hex Lock Nut	1	24	Thimble Sealing Washer	1	37	Tip Guard	1
12	Switch Seat	1	25	Spring Core	1	32	Rubber Plug	1
13	Switch Pin	2	26	Thimble Spring	1	38	Brush	1



**Address:** Baoshanqu Shuangchenglu 803long 11hao 1602A-1609shi Shanghai  
**Imported to AUS:** SIHAO PTY LTD. 1 ROKEVA STREETEASTWOOD NSW 2122  
Australia

**Imported to USA:** Sanven Technology Ltd. Suite 250, 9166 Anaheim Place,  
Rancho Cucamonga, CA 91730



Pooledas Group Ltd  
Unit 5 Albert Edward House, The Pavilions  
Preston, United Kingdom



SHUNSHUN GmbH  
Römeräcker 9 Z2021, 76351  
Linkenheim-Hochstetten, Germany

**Made In China**



**VEVOR<sup>®</sup>**

**TOUGH TOOLS, HALF PRICE**

**Technical Support and E-Warranty Certificate**

**[www.vevor.com/support](http://www.vevor.com/support)**

# **VEVOR<sup>®</sup>**

**TOUGH TOOLS, HALF PRICE**

Técnico Soporte y certificado de garantía electrónica [www.vevor.com/support](http://www.vevor.com/support)

## **PISTOLA PULVERIZADORA SIN AIRE**

We continue to be committed to provide you tools with competitive price.

"Save Half", "Half Price" or any other similar expressions used by us only represents an estimate of savings you might benefit from buying certain tools with us compared to the major top brands and does not necessarily mean to cover all categories of tools offered by us. You are kindly reminded to verify carefully when you are placing an order with us if you are actually saving half in comparison with the top major brands.

# VEVOR<sup>®</sup>

TOUGH TOOLS, HALF PRICE

## AIRLESS SPRAY GUN



**MODELO:821**









### NEED HELP? CONTACT US!



Have product questions? Need technical support? Please feel free to contact us:

**Technical Support and E-Warranty Certificate**  
**[www.vevor.com/support](http://www.vevor.com/support)**

This is the original instruction, please read all manual instructions carefully before operating. VEVOR reserves a clear interpretation of our user manual. The appearance of the product shall be subject to the product you received. Please forgive us that we won't inform you again if there are any technology or software updates on our product.

## 2. Instrucciones de seguridad importantes

	<p>Advertencia - Para reducir el riesgo de lesiones, el usuario debe leer atentamente el manual de instrucciones. Lea y comprenda este manual de instrucciones antes de utilizar este producto. De lo contrario, se pueden producir lesiones graves o la muerte.</p>
	<p>Advertencia: asegúrese de usar protectores auditivos cuando utilice este producto.</p>
	<p>Advertencia: asegúrese de usar protectores para los ojos cuando utilice este producto.</p>
	<p>Advertencia: asegúrese de usar máscaras antipolvo cuando utilice este producto.</p>
   	<p><b>INCENDIO Y EXPLOSIÓN Peligro</b> Los disolventes y los vapores de pintura pueden encenderse o explotar</p> <p>Para ayudar a prevenir un incendio o una explosión</p> <ul style="list-style-type: none"> <li>·Utilizar al aire libre o en un área bien ventilada.</li> <li>·Evite todas las fuentes de ignición, como la electricidad estática de las lonas de plástico, llamas abiertas como luces piloto, objetos calientes como cigarrillos, y arcos al conectar o desconectar cables de alimentación</li> <li>y apagar o encender las luces.·</li> </ul> <p>Coloque cinta adhesiva sobre los interruptores de pared para evitar que se apaguen o enciendan.</p> <ul style="list-style-type: none"> <li>·Usar únicamente o mangueras de pintura sin aire Graco.</li> <li>·Pulverizador de tierra, objetos que se rocían y cubos de pintura/solvente.</li> <li>·Sostenga la parte metálica de la pistola. firmemente al costado de un cubo de metal conectado a tierra cuando se dispara hacia el interior del cubo .</li> <li>·No utilice 1,1,1 hidroeléctricamente , cloruro de metileno otros disolventes de hidrocarburos halogenados o fluidos que contengan dichos disolventes en esta pistola o cualquier otro aluminio presurizado equipo. Tal uso podría resultar en una reacción química y una explosión .</li> </ul>

	<p><b>PELIGRO DE INYECCIÓN DE FLUIDOS</b> El rociado a alta presión o las fugas pueden inyectar líquido en el cuerpo. Si le perfora líquido a alta presión piel, la lesión podría parecer nosotros e un corte, pero es una herida grave. Obtenga atención médica inmediata .</p> <p>Para ayudar a prevenir la inyección</p> <ul style="list-style-type: none"> <li>·Siempre coloque el seguro del gatillo de la pistola en la posición <b>SEGURIDAD ENCENDIDA</b> cuando no esté pulverizando.</li> <li>·Siempre libere la presión antes de revisar o reparar fugas y cuándo dejar de pulverizar.</li> <li>·Nunca utilice componentes con una clasificación inferior a la presión máxima de trabajo del sistema.</li> </ul> <p>seguro.</p> <ul style="list-style-type: none"> <li>·Nunca permita que los niños utilicen esta pistola.</li> <li>·Nunca apuntes con un arma a ti mismo ni a nadie más.</li> </ul>
	<p><b>PELIGRO DE SALPICADURA DE FLUIDOS</b></p> <p>Para evitar salpicaduras de líquido mientras rocía, asegúrese de que la pistola rociadora esté ensamblada con la junta correcta para el líquido que se está rociando. Consulte Instalación de la punta.</p> <p><b>PELIGRO DE RETROCESO :</b></p> <p>Prepárese. El arma puede retroceder cuando se dispara.</p>

·No rocíe materiales inflamables o combustibles cerca de una llama abierta, luces piloto o fuentes de ignición como caliente objetos, cigarrillos, motores, equipos eléctricos y aparatos eléctricos. Evite crear chispas al conectar y desconectar cables de alimentación .

·Para unidades destinadas a usarse únicamente con materiales a base de agua o de tipo alcohol mineral con un punto de inflamación del aluminio de 38 °C (100 °F)


— No rocíe ni limpie con líquidos que tengan un punto de inflamación inferior a 38 °C (100 °F). ). punto de inflamabilidad es la temperatura a la que un fluido puede producir suficiente vapor para encenderse.

·Tenga extrema precaución al utilizar materiales con un punto de inflamación inferior a 100 °F (38 °C). Referirse Consulte el manual de su bomba para determinar si estos materiales se pueden rociar.

- La pintura o el disolvente que fluye a través del equipo pueden generar electricidad estática. La electricidad estática crea un riesgo de incendio o explosión en presencia de pintura o vapores de disolventes . Todas las partes del sistema de pulverización, incluyendo la bomba, ensamblado de la manguera, La pistola rociadora y los objetos dentro y alrededor del área de rociado deben estar adecuadamente conectados a tierra para protegerlos contra descargas estáticas y chispas. Utilice únicamente mangueras para pulverizador de pintura sin aire de alta presión conductoras o conectadas a tierra especificadas por el fabricante.
- Verificar que todos los contenedores y sistemas de recolección estén conectados a tierra para evitar estática. descargar.
- Conéctelo a un tomacorriente con conexión a tierra y use cables de extensión con conexión a tierra (solo modelos eléctricos). No utilice un adaptador de 3 a 2.
- No utilice pintura o disolvente que contenga hidrocarburos hidrogenados . Como el cloro, blanqueador de moho, cloruro de metileno y tricloroetano. No son compatibles con el aluminio. Póngase en contacto con el proveedor del revestimiento sobre la compatibilidad del material con aluminio.
- Mantenga el área de pulverización bien ventilada. Mantenga un buen suministro de aire fresco en movimiento a través del área para mantener el aire dentro del área de rociado libre de acumulación de vapores inflamables. Mantenga el conjunto de la bomba en un área bien ventilada. No rocíe el conjunto de la bomba.
- No fumar en la zona de pulverización.
- No opere interruptores de luz, motores o productos similares que produzcan chispas en el área de pulverización .
- Mantenga el área limpia y libre de contenedores de pintura o solventes, trapos y otros materiales inflamables .
- Conocer el contenido de la pintura y disolventes que se pulverizan. Lea todas las hojas de datos de seguridad de materiales (MSDS) y las etiquetas de los contenedores proporcionadas con las pinturas y los solventes. Siga las instrucciones de seguridad del fabricante de la pintura y el disolvente.
- Coloque la bomba al menos a 25 pies (7,62 metros) del objeto rociado en un área bien ventilada (agregue más manguera si necesario). Los vapores inflamables suelen ser más pesados que el aire. El área del piso debe estar extremadamente bien ventilada. La bomba contiene piezas que forman arcos que emiten chispas y pueden encender vapores.



- El plástico puede provocar chispas estáticas. Nunca cuelgue plástico para encerrar el área de pulverización. No utilice paños de plástico cuando rocíe material inflamable.
- El equipo extintor de incendios deberá estar presente y funcionando.

	<p><b>ADVERTENCIA: LESIÓN POR INYECCIÓN</b></p> <p>Un chorro de pintura a alta presión producido por este equipo puede perforar la piel y los tejidos subyacentes, provocando lesiones graves y posibles amputación. Consulte a un médico de inmediato.</p>
--	---

- No apunte la pistola ni rocíe a ninguna persona o animal.
- Mantenga las manos y otras partes del cuerpo alejadas de la descarga. Por ejemplo, no intente detener las fugas con ninguna parte del cuerpo.
- NUNCA ponga la mano delante del arma. Los guantes no brindarán protección contra una lesión por inyección.
- SIEMPRE mantenga el protector de la boquilla en su lugar mientras pulveriza. El protector de punta proporciona cierta protección pero es principalmente un dispositivo de advertencia.
- Utilice únicamente una punta de boquilla especificada por el fabricante.
- Tenga cuidado al limpiar y cambiar las puntas de las boquillas. En el caso de que la punta de la boquilla se obstruya mientras pulveriza, SIEMPRE bloquee el gatillo de la pistola, apague la bomba y libere toda la presión antes de realizar tareas de mantenimiento, limpiar la boquilla o la protección o cambiar la boquilla. La presión no se liberará al apagar el motor. La válvula PRIME/SPRAY o la válvula de purga de presión se deben girar a la posición sus posiciones apropiadas para aliviar la presión del sistema. Consulte ALIVIO DE PRESIÓN PROCEDIMIENTO descrito en el manual de la bomba.
- No deje la unidad energizada o bajo presión sin supervisión. Cuando la unidad está Si no está en uso, apague la unidad y libere la presión de acuerdo con las instrucciones del fabricante . instrucciones.
- El aerosol de alta presión puede inyectar toxinas en el cuerpo y causar lesiones corporales graves . En caso de que se produzca una inyección,

busque atención médica de inmediato.

· Revise las mangueras y las piezas en busca de signos de daño; una fuga puede inyectar material en la piel. Inspeccione la manguera antes de cada uso. Reemplace cualquier manguera o pieza dañada. Utilice únicamente TITAN Mangueras de alta presión originales para garantizar funcionalidad, seguridad y durabilidad.

· Este sistema es capaz de producir 3600 psi/248 bar. Utilice únicamente piezas de repuesto o accesorios especificados por el fabricante y con una potencia nominal mínima de 3600 PSI. Esto incluye boquillas de pulverización, protectores de boquillas, pistolas, extensiones, accesorios y mangueras .

· Siempre active el bloqueo del gatillo cuando no esté pulverizando.

Verifique que el bloqueo del gatillo esté funcionando correctamente .

· Verifique que todas las conexiones estén seguras antes de operar la unidad.

· Sepa cómo detener la unidad y purgar la presión rápidamente.

Familiarícese completamente con los controles . La presión no se liberará al apagar el motor. El CEBADOR/SPRAY La válvula o válvula de purga de presión debe girarse a su posición adecuada para aliviar la presión del sistema. Consulte el PROCEDIMIENTO DE ALIVIO DE PRESIÓN descrito en el manual de la bomba .

· Retire siempre la punta rociadora antes de enjuagar o limpiar el sistema.

### **NOTA PARA EL MÉDICO:**

**La inyección en la piel es una lesión traumática que puede provocar una posible amputación . Es importante tratar la lesión lo antes posible. HACER NO retrasar el tratamiento para investigar la toxicidad. La toxicidad es una preocupación con algunos recubrimientos que se inyectan directamente en el torrente sanguíneo. Puede ser recomendable consultar con un cirujano plástico o un cirujano reconstructivo de la mano.**



**ADVERTENCIA:**

## **GENERAL Puede causar lesiones graves o daños a la propiedad.**

Utilice siempre guantes, protección para los ojos, ropa y un respirador o mascarilla adecuados.

al pintar.

- No opere ni rocíe cerca de niños. Mantenga a los niños alejados del equipo en todo momento.
- No se estire demasiado ni se pare sobre un soporte inestable. Mantenga una posición y equilibrio efectivos en todo momento.
- Manténgase alerta y observe lo que está haciendo.
- No opere la unidad cuando esté cansado o bajo la influencia de drogas o alcohol.
- No retuerza ni doble demasiado la manguera. La manguera sin aire puede desarrollar fugas por desgaste o torceduras. y abuso. Una fuga puede inyectar material en la piel.
- No exponga la manguera a temperaturas o presiones superiores a las especificadas por fabricante.
- No utilice la manguera como elemento de fuerza para tirar o levantar el equipo. Utilice la presión más baja posible para lavar el equipo.
- Siga todos los códigos locales, estatales y nacionales apropiados que rigen la ventilación, prevención y operación.
- Antes de cada uso, revise todas las mangueras en busca de cortes, fugas, abrasión o abultamiento de la cubierta. Verifique si hay daños o movimiento en los acoplamientos . Reemplace inmediatamente la manguera si alguno de esos existen condiciones. Nunca repare una manguera de pintura. Reemplácela con una manguera conductora de alta presión .
- No rocíe al aire libre en días ventosos. Desenchufe siempre el cable del tomacorriente antes de trabajar en el equipo (solo modelos eléctricos)

## **Instrucciones de funcionamiento**

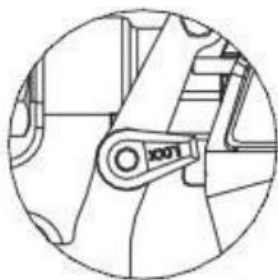
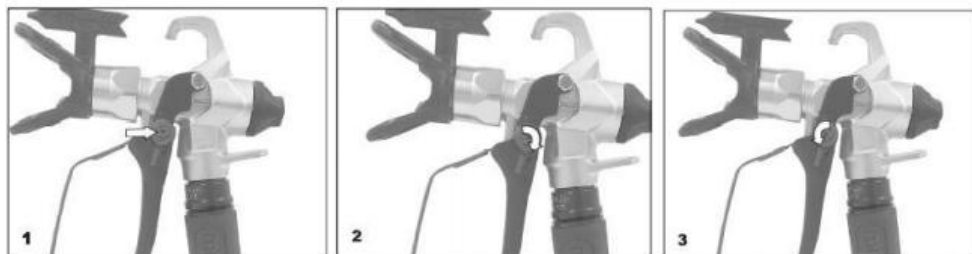


### **Uso del seguro del gatillo de la pistola**

Siempre active el seguro del gatillo de la pistola cuando no esté en uso(1) después de cada uso y guárdela en un lugar seco. No dejes la pistola ni ninguna de sus piezas en agua.

tensión.

1. Para bloquear el gatillo, gire el bloqueo del gatillo hacia atrás hasta que se detenga(2) o disolventes.
2. Para desbloquear el gatillo, gire el bloqueo del gatillo hacia adelante hasta que esté vertical(3) .



**Gatillo bloqueado (la pistola no pulveriza)    Gatillo desbloqueado (la pistola rociará)**

**Configuración**



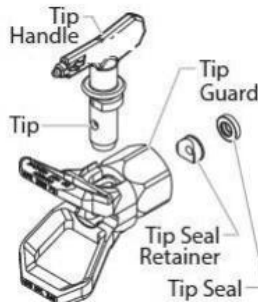
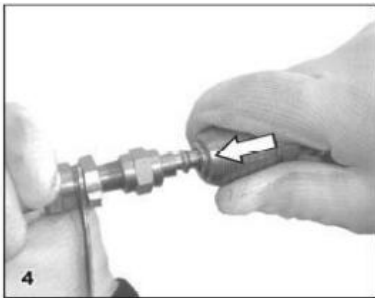
**Nunca intente ensamblar, cambiar o limpiar la pistola, la punta o el protector de la punta sin primero aliviando la presión del sistema de aspersión. Siga las instrucciones "Alivio de presión Procedimiento" en el Manual del pulverizador.**



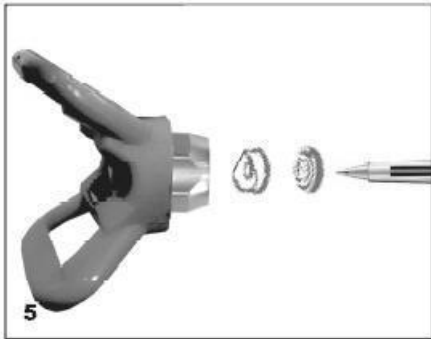
**Utilice siempre un protector de seguridad en la punta para mayor protección contra la inyección. Tenga en cuenta que el protector por sí solo no impedirá la inyección. ¡Nunca corte el protector de punta! Siempre active el bloqueo del gatillo de la pistola cuando la pistola no esté en uso. Antes de dar servicio al equipo, consulte los manuales del propietario y siga todas las advertencias.**

7. Configure el pulverizador. Consulte las instrucciones en el Manual del pulverizador.

2. Conecte una manguera de pulverización sin aire y conectada a tierra a la entrada de material de la pistola. Usando dos llaves (una en la pistola y otra en la manguera), apriete firmemente (4).



8. Con la punta y el protector de punta quitados de la pistola, encienda el pulverizador. Lave y prepare el sistema de aspersión de acuerdo con el Manual del propietario del aspersor. Inspeccione el sistema de pulverización para asegurarse de que todos los accesorios estén seguros y que no haya fugas.
9. Realice el "Procedimiento de alivio de presión" descrito en el Manual del propietario del pulverizador .
10. Usando la punta de flecha en el mango de la punta, inserte el sello de la punta y el retenedor del sello de la punta en la parte posterior del protector de la punta (5). Presione para realizar el ajuste final.



11. Inserte la punta en la ranura del protector de punta (6).



12. Enrosque el protector de punta en la pistola. Coloque el protector de la boquilla en la posición de pulverización deseada y apriételo firmemente. NOTA: La flecha en el mango de la punta debe apuntar hacia adelante para pulverizar .

## Operación

5. Asegúrese de que la flecha en el mango de la punta apunte hacia adelante para rociar.
6. Encienda el pulverizador. Consulte las instrucciones en el Manual del pulverizador.
7. Ajuste la presión del fluido en el rociador hasta que el rociado esté completamente atomizado. Rocíe siempre a la presión más baja necesaria para obtener los resultados deseados. NOTA: La punta de pulverización determina el tamaño del patrón de pulverización y la cobertura. Cuando se necesita más cobertura, use una punta más grande en lugar de aumentar la presión del fluido.

8. Para limpiar una punta obstruida  
D. Gire la punta 1 80° para que la flecha en el mango de la punta apunte en dirección opuesta a la dirección de pulverización.(7)

E. Dispare la pistola una vez para que la presión pueda volar el obstruir.  
Importante : Nunca apriete el gatillo más de una vez a la vez. una vez con la punta en posición inversa.

F. Continúe este procedimiento hasta que la punta esté libre de obstrucción.



### **Cambiar una propina**

Las puntas se pueden quitar y reemplazar fácilmente sin desmontar la pistola.

**Nunca intente cambiar o limpiar la punta o el protector de la punta sin realizar primero el "Procedimiento de alivio de presión".**

4. Realice el "Procedimiento de alivio de presión" descrito en el Manual del pulverizador .
5. Retire la punta de la ranura del protector de



punta.

6. Inserte la nueva punta en la ranura del protector de punta. La flecha en el mango de la punta debe apuntar hacia adelante.

### **Quitar el sello y el sello de la punta**

3. Retire la boquilla y el protector de la boquilla de la pistola rociadora.

4. Retire el sello y el sello de la punta de la parte posterior del protector de la punta (8).

### **Identificando los tamaños de punta**

Para identificar los tamaños de punta, utilice la siguiente fórmula. En este ejemplo se utilizará un tamaño de punta de "517" .

El primer dígito multiplicado por dos representa el tamaño del patrón de pulverización al pulverizar. A 12"(30 cm) de distancia de la superficie de trabajo: patrón de rociado de  $5 \times 2 = 10"$  . Los dos segundos dígitos representan el diámetro del orificio en la punta: 17 = orificio de 0,017"(0,43 mm) .

**NOTA: Las puntas de aspersión desgastadas afectarán negativamente el patrón de aspersión y darán como resultado una producción reducida , un acabado deficiente y desperdicio de material. Reemplace las puntas desgastadas inmediatamente .**

### **Limpiar**

Mantener una pistola limpia es importante para garantizar un funcionamiento sin problemas. Enjuague la pistola después de cada uso y guárdela en un lugar seco. No deje la pistola ni ninguna de sus piezas en agua o disolventes .



### **Instrucciones de limpieza especiales para uso con solventes inflamables:**

Lave siempre la pistola rociadora preferiblemente al aire libre y al menos un tramo de manguera desde bomba de pulverización.

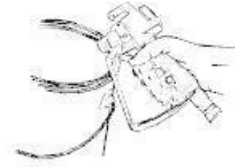
- Si recoge los solventes lavados en un recipiente metálico de un galón,



colóquelo en un recipiente vacío de cinco galones y luego enjuague los solventes.

- El área debe estar libre de vapores inflamables.
- Siga todas las instrucciones de limpieza.
- Importante : El pulverizador, la manguera y la pistola deben limpiarse completamente después del uso diario.

De lo contrario, el material se apelmaza, lo que afecta gravemente el rendimiento de la unidad.



Siempre rocíe a presión mínima con la boquilla y el protector de la boquilla retirados cuando use alcoholes minerales o cualquier otro solvente para limpiar el rociador, la manguera o la pistola . La acumulación de electricidad estática puede provocar un incendio o una explosión en presencia de vapores inflamables . Sostenga la pistola firmemente contra un recipiente de metal mientras la limpia.

## **Mantenimiento**



Siga todas las precauciones de seguridad descritas en la sección Precauciones de seguridad de este manual antes de continuar.  
NOTA: Consulte la sección Lista de piezas de este manual para identificar las piezas.

## **Reemplazo/servicio del conjunto del sello**

Si su pistola rociadora tiene fugas o escupe en la punta cuando suelta el gatillo, la aguja o el asiento está desgastado, dañado o sucio y debe ser reemplazado o limpiado.



**Nunca intente realizar mantenimiento en la pistola rociadora sin realizar primero el “Procedimiento de alivio de presión”.**

1. Realice el "Procedimiento de alivio de presión" y desconecte la manguera de fluido de la pistola.
  2. Retire la tapa del extremo y el resorte de empaquetadura de la parte trasera del cabezal de la pistola.
  3. Con una llave de vaso de 3/8", retire el conjunto del sello de empaque de la parte trasera del cabezal de la pistola.
  4. Remoje las piezas extraídas en el disolvente adecuado y límpielas.
  5. Inspeccione las piezas en busca de desgaste o daños y utilice piezas nuevas durante el reensamblaje de la pistola.  
cuando sea necesario.
- NOTA: Lubrique todas las piezas articuladas y móviles antes de volver a montarlas con un Grasa d a base de litio .
6. Asegúrese de que los dos pasadores retractores dentro del cabezal de la pistola todavía estén en la posición correcta7. Inserte el conjunto del sello de empaque en la parte trasera del cabezal de la pistola y enrósquelo con la mano hasta que se detenga.
  8. Utilizando una llave de vaso de 3/8", apriete el conjunto del sello del empaque. Apriete a 5 Nm (3,7 pies/libras).
  9. Engrase ambos extremos del resorte del empaque y colóquelo sobre el conjunto del sello del empaque en el cabezal de la pistola.
  10. Coloque la tapa del extremo sobre el resorte del empaque de modo que el piloto dentro de la tapa del extremo se asiente dentro del resorte del empaque.
  11. Empuje la tapa del extremo hacia el cabezal de la pistola mientras la enrosca en el cabezal de la pistola. Usando una llave , apriete firmemente la tapa del extremo.12. Realice el procedimiento "Ajuste del conjunto del sello del empaque" que se describe a continuación.

### **Ajuste del conjunto del sello de empaque**



El ajuste adecuado del conjunto del sello es esencial para garantizar un cierre positivo. cuando se suelta el gatillo.

3. Inserte una llave hexagonal de 1/8" a través del orificio en el centro de la tapa del extremo hasta que se asiente dentro del tornillo de ajuste del sello del empaque.

4. pueda sentir que la bola en el conjunto del sello del empaque se asienta en su posición. Luego, gire el tornillo 1/4 de vuelta más para obtener la tensión adecuada .

### **Reemplazo/Extracción del filtro**

7. Tire de la parte inferior del guardamonte hacia adelante para que se suelte del conjunto del mango (9)

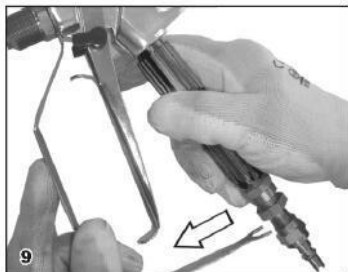
8. Afloje y retire el conjunto de la manija del cabezal de la pistola (10).

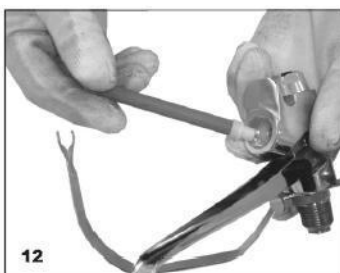
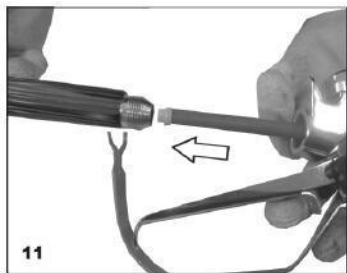
9. Saque el filtro viejo del cabezal de la pistola (11).

10. Deslice el nuevo filtro, con el extremo cónico primero, en el cabezal de la pistola (12).

11. Asegúrese de que todas las piezas estén limpias y que el sello del mango está en posición dentro del cabezal de la pistola .

12. Enrosque el conjunto del mango en el cabezal de la pistola hasta que esté seguro.7. Vuelva a colocar el guardamonte en el conjunto del mango.





## ESPECIFICACIONES TÉCNICAS

Tipo:	821	Presión operacional	3600PSI
Tipo de alimentación	Presión	Boquilla estándar	0,017”(517)
Conexión de pintura	1/4-18NPSM	Ancho del patrón	254-305 mm

**SCFM:** Pies cúbicos estándar por minuto (el caudal volumétrico de una manera corregida a condiciones estandarizadas de temperatura y presión).

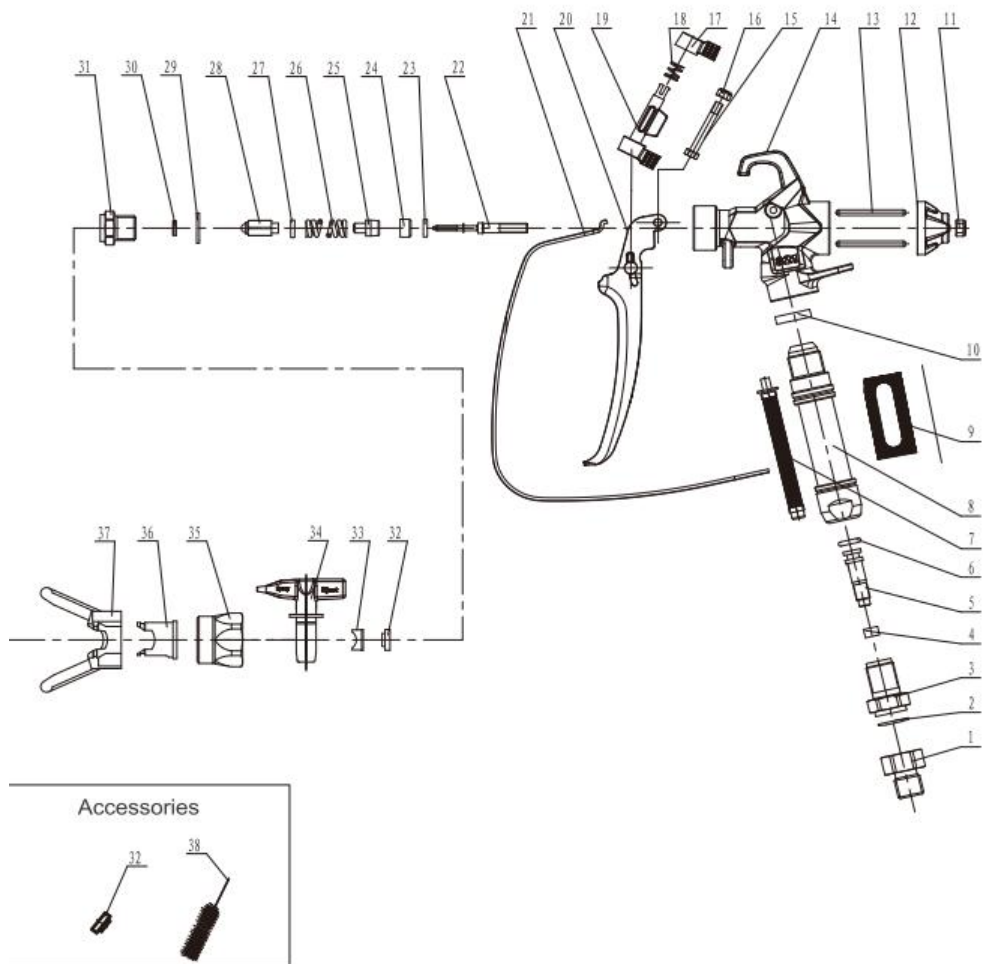
TNP: Rosca de tubería nacional

### Responsabilidades ambientales

Recicle los materiales no deseados en lugar de desecharlos como residuos.

Todas las herramientas, mangueras y embalajes deben clasificarse, llevarse al centro de reciclaje local y eliminarse de forma segura para el medio ambiente.

## PLANO DE CONJUNTO



## LISTA DE PARTES

No	Descripción	Cantidad	No	Descripción	Cantidad	No	Descripción	Cantid
1	Conector de entrada de aire	1	14	cuerpo de pistola	1	27	Lavadora de cabeza dedal	1
2	Lavadora	1	15	Tornillo de cabeza Hexagonal	1	28	Conjunto de cabeza de dedal	1
3	Junta de entrada de material	1	dieciséis	Tuerca de seguridad hexagonal	1	29	Arandela de tapón	1
4	Lavadora de intervalos	1	17	Junta del polo del gatillo	1	30	Inserto de enchufe	1
5	Núcleo de conexión de material	1	18	Primavera	1	31	Asiento de enchufe	1
6	Junta tórica 6*2	1	19	Polo de gatillo	1	32	Enchufe de goma	1
7	Filtrar	1	20	Desencadenar	1	33	Tapa de boquilla	1
8	Manejar	1	21	Tigger Guarg	1	34	Conjunto de punta reversible	1
9	Funda de mango	1	22	Dedal	1	35	Tuerca	1
10	Lavadora	1	23	Arandela de cobre	1	36	Asiento de punta	1
11	Tuerca de seguridad hexagonal	1	24	Arandela de sellado del dedal	1	37	Guardia de punta	1
12	Cambiar asiento	1	25	Núcleo de resorte	1	32	Enchufe de goma	1

13	Pasador del interruptor	2	26	Dedal Primavera	1	38	Cepillar	1
----	-------------------------	---	----	-----------------	---	----	----------	---

**Dirección:** Baoshanqu Shuangchenglu 803long 11hao 1602A-1609shi Shanghai  
**Importado a AUS:** SIHAO PTY LTD . 1 ROKEVA STREETASTWOOD NSW 2122 Australia

**Importado a EE. UU.:** Sanven Technology Ltd. Suite 250, 9166 Anaheim Place, Rancho Cucamonga, CA 91730



Pooledas Group Ltd  
Unit 5 Albert Edward House, The Pavilions  
Preston, United Kingdom



SHUNSHUN GmbH  
Römeräcker 9 Z2021, 76351  
Linkenheim-Hochstetten, Germany

**Hecho en china**







**VEVOR**<sup>®</sup>

**TOUGH TOOLS, HALF PRICE**

**Técnico Certificado de soporte y garantía electrónica**

**[www.vevor.com/support](http://www.vevor.com/support)**

# **VEVOR<sup>®</sup>**

**TOUGH TOOLS, HALF PRICE**

Tecnico Supporto e certificato di garanzia elettronica [www.vevor.com/support](http://www.vevor.com/support)

## **PISTOLA A SPRUZZO AIRLESS**

We continue to be committed to provide you tools with competitive price.

"Save Half", "Half Price" or any other similar expressions used by us only represents an estimate of savings you might benefit from buying certain tools with us compared to the major top brands and does not necessarily mean to cover all categories of tools offered by us. You are kindly reminded to verify carefully when you are placing an order with us if you are actually saving half in comparison with the top major brands.

# VEVOR®

TOUGH TOOLS, HALF PRICE

## AIRLESS SPRAY GUN



**MODELLO:821**









### NEED HELP? CONTACT US!



Have product questions? Need technical support? Please feel free to contact us:

**Technical Support and E-Warranty Certificate**  
**[www.vevor.com/support](http://www.vevor.com/support)**

This is the original instruction, please read all manual instructions carefully before operating. VEVOR reserves a clear interpretation of our user manual. The appearance of the product shall be subject to the product you received. Please forgive us that we won't inform you again if there are any technology or software updates on our product.

### 3. Importanti istruzioni di sicurezza


	<p>Avvertenza - Per ridurre il rischio di lesioni, l'utente deve leggere attentamente il manuale di istruzioni. Leggere e comprendere questo manuale di istruzioni prima di utilizzare questo prodotto. La mancata osservanza di questa precauzione potrebbe provocare lesioni gravi o mortali.</p>
	<p>Avvertenza: assicurarsi di indossare protezioni per le orecchie quando si utilizza questo prodotto.</p>
	<p>Avvertenza: assicurarsi di indossare protezioni per gli occhi quando si utilizza questo prodotto.</p>
	<p>Avvertenza: assicurarsi di indossare maschere antipolvere quando si utilizza questo prodotto.</p>
   	<p>DI INCENDIO ED ESPLOSIONE I solventi e i fumi della vernice possono incendiarsi o esplodere</p> <p>Per aiutare a prevenire un incendio o un'esplosione</p> <ul style="list-style-type: none"> <li>·Utilizzare all'aperto o in un'area ben ventilata.</li> <li>·Evitare tutte le fonti di accensione come l'elettricità statica proveniente da teli di plastica, fiamme libere come lampadine, oggetti caldi come sigarette, e archi elettrici derivanti dal collegamento o scollegamento dei cavi di alimentazione e accendendo o spegnendo la luce.</li> </ul> <p>Interruttori a parete con nastro adesivo per impedirne lo spegnimento o l'accensione.</p> <ul style="list-style-type: none"> <li>·Usare solo o tubi per verniciatura airless Graco.</li> <li>·Irroratore a terra, oggetti da spruzzare e secchi di vernice/solvente.</li> <li>·Tenere la parte metallica della pistola saldamente al lato di un secchio metallico messo a terra quando si attiva il secchio .</li> <li>·Non utilizzare 1,1,1 in modo idroelettrico , cloruro di metilene altri solventi idrocarburi alogenati o fluidi contenenti tali solventi in questa pistola o in qualsiasi altro alluminio pressurizzato attrezzatura. Tale utilizzo potrebbe provocare una reazione chimica e un'esplosione .</li> </ul>

	<p><b>PERICOLO DI INIEZIONE DI FLUIDO</b> Spruzzi ad alta pressione o perdite possono iniettare fluido nel corpo. Se si viene trafitti da un fluido ad alta pressione pelle, la ferita potrebbe assomigliare facciamo un taglio, ma è una ferita grave. Richiedi assistenza medica immediata .</p> <p>Per aiutare a prevenire l'iniezione</p> <ul style="list-style-type: none"> <li>·Quando non si spruzza, mettere sempre la sicura del grilletto della pistola in posizione SICUREZZA ATTIVATA.</li> <li>·Rilasciare sempre la pressione prima di controllare o riparare le perdite e quando si smette di spruzzare.</li> <li>·Non utilizzare mai componenti con valore nominale inferiore alla pressione massima di esercizio del sistema Sicuro.</li> <li>·Non permettere mai ai bambini di usare questa pistola.</li> <li>·Non puntare mai la pistola contro te stesso o qualcun altro</li> </ul>
	<p><b>PERICOLO DI SPRUZZI DI FLUIDO</b></p> <p>Per evitare schizzi di fluido durante la spruzzatura, assicurarsi che la pistola a spruzzo sia assemblata con la guarnizione corretta per il fluido da spruzzare. Vedere Installazione della punta.</p> <p><b>PERICOLO DI RINCULO :</b></p> <p>Preparatevi. La pistola potrebbe indietreggiare quando viene attivata.</p>

- Non spruzzare materiali infiammabili o combustibili vicino a fiamme libere, luci pilota o sorgenti di accensione come caldo oggetti, sigarette, motori, apparecchiature elettriche ed elettrodomestici. Evitare di creare scintille collegando e scollegando i cavi di alimentazione .
- Per unità destinate all'uso solo con materiali a base di acqua o acqua ragia minerale con punto di infiammabilità dell'alluminio pari a 38°C (100°F)— Non spruzzare o pulire con liquidi aventi un punto di infiammabilità inferiore a 38°C (100°F) ). punto d'infiammabilità è la temperatura alla quale un fluido può produrre abbastanza vapore per accendersi.
- Prestare estrema cautela quando si utilizzano materiali con un punto di infiammabilità inferiore a 100°F (38°C). Fare riferimento consultare il manuale della pompa per determinare se questi materiali possono essere spruzzati.

- La vernice o il solvente che scorre attraverso l'apparecchiatura può generare elettricità statica. L'elettricità statica crea rischio di incendio o esplosione in presenza di fumi di vernici o solventi . Tutte le parti del sistema di spruzzatura, compresa la pompa, assemblaggio di tubi flessibili, la pistola a spruzzo e gli oggetti all'interno e intorno all'area di spruzzatura devono essere adeguatamente messi a terra per proteggerli da scariche statiche e scintille. Utilizzare solo tubi per spruzzatura airless ad alta pressione conduttivi o collegati a terra specificati dal produttore.
- Verificare che tutti i contenitori e i sistemi di raccolta siano collegati a terra per prevenire l'elettricità statica scarico.
- Collegare a una presa con messa a terra e utilizzare prolunghe con messa a terra (solo modelli elettrici). Non utilizzare un adattatore 3 a 2.
- Non utilizzare vernici o solventi contenenti idrocarburi idrogenati . Come il cloro, antimuffa alla candeggina, cloruro di metilene e tricloroetano. Non sono compatibili con l'alluminio. Contattare il fornitore del rivestimento per informazioni sulla compatibilità del materiale con alluminio.
- Mantenere l'area di spruzzatura ben ventilata. Mantenere una buona quantità di aria fresca in movimento nell'area per mantenere l'aria all'interno dell'area di spruzzatura libera dall'accumulo di vapori infiammabili. Conservare il gruppo della pompa in un'area ben ventilata. Non spruzzare il gruppo pompa.
- Non fumare nell'area di spruzzatura.
- Non azionare interruttori della luce, motori o prodotti simili che producono scintille nell'area di spruzzatura .
- Mantenere l'area pulita e priva di contenitori di vernice o solventi, stracci e altri materiali infiammabili .
- Conoscere il contenuto della vernice e dei solventi da spruzzare. Leggere tutte le schede tecniche sulla sicurezza dei materiali (MSDS) e le etichette dei contenitori fornite con vernici e solventi. Seguire le istruzioni di sicurezza del produttore della vernice e del solvente.
- Posizionare la pompa ad almeno 25 piedi (7,62 metri) dall'oggetto da spruzzare in un'area ben ventilata (aggiungere altro tubo se necessario). I vapori infiammabili sono spesso più pesanti dell'aria. Il pavimento deve essere estremamente ben ventilato. La pompa contiene parti che generano archi elettrici che emettono scintille e possono accendere i vapori.

- La plastica può provocare scintille statiche. Non appendere mai la plastica per delimitare l'area di spruzzatura. Non usare teli di plastica quando si spruzza materiale infiammabile.
- L'estintore dovrà essere presente e funzionante.

	<p><b>ATTENZIONE: LESIONI DA INIEZIONE</b></p> <p>Un flusso di vernice ad alta pressione prodotto da questa apparecchiatura può perforare la pelle e i tessuti sottostanti, con conseguenti lesioni gravi e possibili amputazione. Consulta immediatamente un medico.</p>
--	---

- Non puntare la pistola o spruzzare su persone o animali.
- Tenere le mani e altre parti del corpo lontane dallo scarico. Ad esempio, non tentare di arrestare le perdite con nessuna parte del corpo.
- Non mettere MAI la mano davanti alla pistola. I guanti non forniranno protezione contro una lesione da iniezione.
- Tenere SEMPRE la protezione dell'ugello in posizione durante la spruzzatura. La protezione della punta fornisce una certa protezione ma è principalmente un dispositivo di allarme.
- Utilizzare esclusivamente la punta dell'ugello specificata dal produttore.
- Prestare attenzione durante la pulizia e la sostituzione delle punte degli ugelli. Nel caso in cui la punta dell'ugello si ostruisca durante la spruzzatura, bloccare SEMPRE il grilletto della pistola, spegnere la pompa e rilasciare tutta la pressione prima di eseguire la manutenzione, pulire la punta o la protezione o sostituire la punta. La pressione non verrà rilasciata spegnendo il motore. La valvola PRIME/SPRAY o la valvola di sfiato della pressione deve essere attivata nelle posizioni appropriate per alleviare la pressione del sistema. Fare riferimento a RILASCIO DELLA PRESSIONE PROCEDURA descritta nel manuale della pompa.
- Non lasciare l'unità sotto tensione o sotto pressione incustodita. Quando l'unità è non in uso, spegnere l'unità e scaricare la pressione secondo le indicazioni del produttore Istruzioni.
- Lo spruzzo ad alta pressione può iniettare tossine nel corpo e causare gravi lesioni personali. Nel caso in cui si verifica un'iniezione, consultare



immediatamente un medico.

· Controllare i tubi e le parti per eventuali segni di danneggiamento, una perdita può iniettare materiale nella pelle. Ispezionare il tubo prima di ogni utilizzo. Sostituire eventuali tubi o parti danneggiati. Usa solo TITAN tubi ad alta pressione originali per garantire funzionalità, sicurezza e durata.

. Questo sistema è in grado di produrre 3600 psi/248 Bar. Utilizzare solo pezzi di ricambio o accessori specificati dal produttore e con una potenza nominale minima di 3600 CV. Ciò include ugelli, protezioni ugelli, pistole, prolunghe, raccordi e tubi flessibili .

. Innestare sempre la sicura del grilletto quando non si spruzza. Verificare che il blocco del grilletto funzioni correttamente .

. Verificare che tutti i collegamenti siano sicuri prima di utilizzare l'unità.

· Sapere come arrestare l'unità e scaricare rapidamente la pressione.

Acquisire familiarità con i controlli . La pressione non verrà rilasciata spegnendo il motore. Il PRIME/SPRAY la valvola o la valvola di sfiato della pressione devono essere ruotate nella posizione appropriata per scaricare la pressione del sistema. Fare riferimento alla PROCEDURA DI DEPRESSIONE descritta nel manuale della pompa .

·Rimuovere sempre l'ugello di spruzzatura prima di lavare o pulire il sistema.

### **NOTA PER IL MEDICO:**

**L'iniezione nella pelle è una lesione traumatica che può portare alla possibile amputazione . È importante trattare la lesione il prima possibile. FARE NON ritardare il trattamento per ricercare la tossicità. La tossicità è motivo di preoccupazione per alcuni rivestimenti iniettati direttamente nel flusso sanguigno. Può essere consigliabile la consultazione con un chirurgo plastico o un chirurgo ricostruttivo della mano.**



### **AVVERTIMENTO:**

**GENERALE Può causare lesioni gravi o danni materiali**

Indossare sempre guanti adeguati, protezione per gli occhi, indumenti e un

respiratore o una maschera

quando si dipinge.

- Non utilizzare o spruzzare vicino ai bambini. Tenere sempre i bambini lontani dall'apparecchiatura.
- Non sporgersi o salire su un supporto instabile. Mantieni un appoggio efficace e l'equilibrio sempre.
- Stai attento e guarda cosa stai facendo.
- Non utilizzare l'unità quando si è stanchi o sotto l'influenza di droghe o alcol.
- Non piegare o piegare eccessivamente il tubo. Il tubo airless può sviluppare perdite a causa di usura e attorcigliamenti e abusi. Una perdita può iniettare materiale nella pelle.
- Non esporre il tubo a temperature o pressioni superiori a quelle specificate da produttore.
- Non utilizzare il tubo come elemento di forza per tirare o sollevare l'attrezzatura. Utilizzare la pressione più bassa possibile per lavare l'attrezzatura.
- Seguire tutti i codici locali, statali e nazionali appropriati che regolano la ventilazione e gli incendi prevenzione e funzionamento.
- Prima di ogni utilizzo, controllare che tutti i tubi non presentino tagli, perdite, abrasioni o rigonfiamenti della copertura. Controllare eventuali danni o movimenti dei giunti . Se presente, sostituire immediatamente il tubo esistono le condizioni. Non riparare mai un tubo di vernice. Sostituirlo con un tubo ad alta pressione conduttivo .
- Non spruzzare all'aperto nelle giornate ventose. Scollegare sempre il cavo dalla presa prima di intervenire sull'apparecchiatura (solo modelli elettrici)

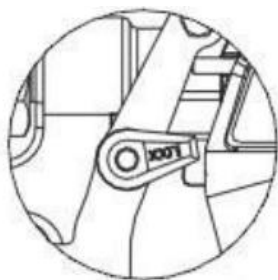
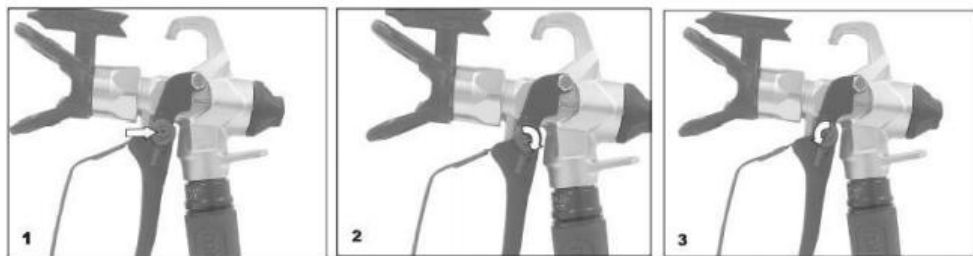
## **Istruzioni per il funzionamento**



### **Utilizzo del blocco del grilletto della pistola**

Inserire sempre la sicura del grilletto della pistola quando la pistola non è in uso(1) dopo ogni utilizzo e conservarla in un luogo asciutto. Non lasciare la pistola o alcuna delle sue parti in acqua tensione.

1. Per bloccare il grilletto, ruotare il blocco del grilletto all'indietro fino all'arresto (2) o solventi
2. Per sbloccare il grilletto, ruotare il blocco del grilletto in avanti finché non è verticale(3) .



**Grilletto bloccato (la pistola non spruzza)    Grilletto sbloccato (la pistola spruzzerà)**

**Impostare**



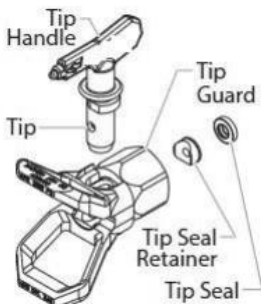
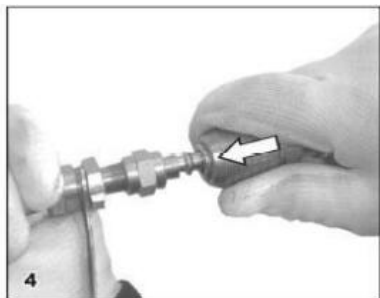
**Non tentare mai di montare, cambiare o pulire la pistola, l'ugello o la protezione dell'ugello senza innanzitutto scaricare la pressione dal sistema di spruzzatura. Seguire la sezione "Decompressione". Procedura" nel Manuale dello spruzzatore.**



**Utilizzare sempre una protezione di sicurezza per la punta per una maggiore protezione contro l'iniezione. Fare attenzione che la protezione da sola non impedirà l'iniezione. Non tagliare mai la protezione dell'ugello! Innestare sempre il blocco del grilletto della pistola quando la pistola non è in uso. Prima di effettuare la manutenzione dell'attrezzatura, consultare i manuali del proprietario e seguire tutte le avvertenze.**

13. Prepara lo spruzzatore. Fare riferimento alle istruzioni nel manuale dello spruzzatore.

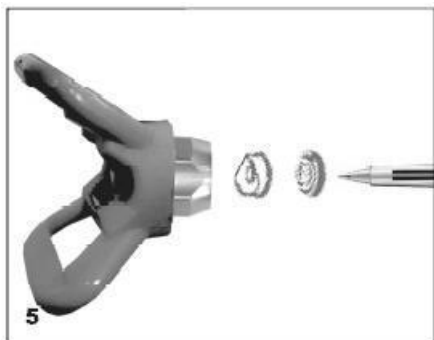
2. Collegare un tubo di spruzzatura airless collegato a terra all'ingresso del materiale sulla pistola. Utilizzando due chiavi (una sulla pistola e una sul tubo), serrare saldamente(4).



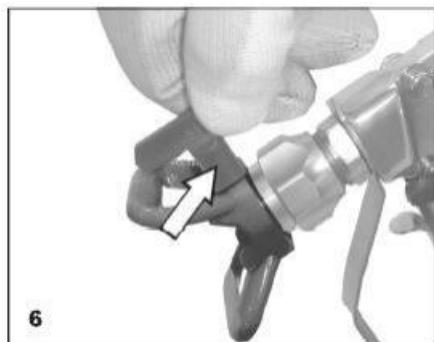
14. Con l'ugello e la protezione dell'ugello rimossi dalla pistola, avviare lo spruzzatore. Lavare e preparare il sistema di spruzzatura secondo il manuale dell'utente dello spruzzatore. Ispezionare il sistema di spruzzatura per accertarsi che tutti i raccordi siano fissati e che non vi siano perdite.

15. Eseguire la "Procedura di scarico della pressione" descritta nel Manuale dell'utente dello spruzzatore .

16. Utilizzando la punta della freccia sull'impugnatura della punta, inserire la guarnizione della punta e il fermo della guarnizione nella parte posteriore della protezione della punta (5). Premere per la regolazione finale.



17. Inserire la punta nella fessura sulla protezione della punta(6).



18. Avvitare la protezione dell'ugello sulla pistola. Posizionare la protezione dell'ugello nella posizione di spruzzatura desiderata e serrarla saldamente.

NOTA: la freccia sull'impugnatura della punta deve puntare nella direzione in avanti per la spruzzatura .

## Operazione

9. Assicurarsi che la freccia sull'impugnatura della punta punti nella direzione in avanti per la spruzzatura.

10. Avviare lo spruzzatore. Fare riferimento alle istruzioni nel manuale dello spruzzatore.

11. Regolare la pressione del fluido sullo spruzzatore finché lo spruzzo non è completamente nebulizzato. Spruzzare sempre alla pressione più bassa necessaria per ottenere i risultati desiderati. NOTA: l'ugello di spruzzatura determina la dimensione del ventaglio di spruzzatura e della copertura. Quando è necessaria una maggiore copertura, utilizzare un ugello più grande invece di aumentare la pressione del fluido.

12. Per liberare una punta ostruita

G. Ruotare l'ugello 1 di 80° in modo che la freccia sull'impugnatura dell'ugello punti nella direzione opposta allo spruzzo.(7)

H. Azionare la pistola una volta in modo che la pressione possa far esplodere intasare. Importante : non premere mai il grilletto più di una volta alla volta una volta con la punta in posizione inversa.

I. Continuare questa procedura fino a quando la punta non sarà libera dall'ostruzione



### Modifica di una punta

Le punte possono essere rimosse e sostituite facilmente senza smontare la pistola.

**Non tentare mai di cambiare o pulire l'ugello o la protezione dell'ugello senza prima eseguire la " Procedura di scarico della pressione ".**

7. Eseguire la "Procedura di scarico della pressione" descritta nel manuale dello spruzzatore .

8. Rimuovere la punta dalla fessura sulla



protezione della punta.

9. Inserire la nuova punta nella fessura sulla protezione della punta. La freccia sulla maniglia della punta deve essere rivolta in avanti.

### **Rimozione della guarnizione e della guarnizione dell'estremità**

5. Rimuovere l'ugello e la protezione dell'ugello dalla pistola a spruzzo.

6. Rimuovere la guarnizione e la guarnizione dell'ugello dalla parte posteriore della protezione dell'ugello(8)

### **Identifico le dimensioni della punta**

Per identificare le dimensioni della punta, utilizzare la seguente formula. In questo esempio verrà utilizzata una dimensione della punta "517" .

La prima cifra moltiplicata per due rappresenta la dimensione del ventaglio di spruzzo durante la spruzzatura 12" (30 cm) di distanza dalla superficie di lavoro: modello di spruzzo  $5 \times 2 = 10"$  . Le seconde due cifre rappresentano il diametro dell'orifizio sulla punta: 17 = orifizio da 0,017"(0,43 mm) .

**NOTA: Gli ugelli di spruzzatura usurati influiranno negativamente sul ventaglio di spruzzatura e comporteranno una riduzione della produzione , una finitura scadente e uno spreco di materiale. Sostituire immediatamente le punte usurate .**

### **Ripulire**

Mantenere una pistola pulita è importante per garantire un funzionamento senza problemi. Lavare la pistola dopo ogni utilizzo e conservarla in un luogo asciutto. Non lasciare la pistola o alcuna delle sue parti in acqua o solventi .



### **Istruzioni speciali per la pulizia da utilizzare con solventi infiammabili:**

Lavare sempre la pistola a spruzzo preferibilmente all'esterno e ad almeno una distanza dal tubo pompa a spruzzo.

- Se si raccolgono i solventi scaricati in un contenitore metallico da un

gallone, posizionarlo in un contenitore vuoto da cinque galloni , quindi lavare i solventi.

- L'area deve essere priva di vapori infiammabili
- Seguire tutte le istruzioni per la pulizia.
- Importante : lo spruzzatore, il tubo flessibile e la pistola devono essere puliti accuratamente dopo l'uso quotidiano. In caso contrario, il materiale potrebbe incrostarsi, compromettendo seriamente le prestazioni dell'unità.



Spruzzare sempre alla pressione minima con l'ugello e la protezione dell'ugello rimossi quando si utilizza acqua ragia minerale o qualsiasi altro solvente per pulire lo spruzzatore, il tubo o la pistola . L'accumulo di elettricità statica può provocare un incendio o un'esplosione in presenza di vapori infiammabili . Tenere saldamente la pistola contro un contenitore metallico durante il lavaggio.

## **Manutenzione**



Seguire tutte le precauzioni di sicurezza descritte nella sezione Precauzioni di sicurezza del presente manuale prima di procedere. NOTA: fare riferimento alla sezione Elenco delle parti in questo manuale per l'identificazione delle parti.

## **Sostituzione/manutenzione del gruppo tenuta**

Se la pistola a spruzzo perde o sputa sulla punta quando si rilascia il grilletto, l'ago o la sede è usurato, danneggiato o sporco e deve essere sostituito o pulito.



**Non tentare mai di eseguire la manutenzione sulla pistola a spruzzo**



## **senza prima eseguire la "Procedura di scarico della pressione.**

1. Eseguire la "Procedura di scarico della pressione" e scollegare il tubo del fluido dalla pistola.
2. Rimuovere il cappuccio terminale e la molla di tenuta dalla parte posteriore della testa della pistola.
3. Utilizzando una presa da 3/8", rimuovere il gruppo guarnizione premistoppa dalla parte posteriore della testa della pistola.
4. Immergere le parti rimosse nel solvente appropriato e pulirle.
5. Ispezionare le parti per verificare eventuali segni di usura o danni e utilizzare parti nuove durante il riassetto della pistola. quando necessario.

NOTA: Lubrificare tutti i meccanismi e le parti mobili prima del rimontaggio con a grasso D a base di litio .

6. Assicurarsi che i due perni del riavvolgitore all'interno della testa della pistola siano ancora nella posizione corretta.
7. Inserire il gruppo guarnizione premistoppa nella parte posteriore della testa della pistola e avvitare a mano fino all'arresto.
8. Utilizzando una chiave a bussola da 3/8", serrare il gruppo della tenuta a baderna. Serrare a 5 Nm (3,7 piedi/libbre).
9. Lubrificare entrambe le estremità della molla premistoppa e posizionarla sul gruppo guarnizione premistoppa nella testa della pistola.
10. Posizionare il cappuccio terminale sulla molla premistoppa in modo che il pilota all'interno del cappuccio terminale si inserisca all'interno della molla premistoppa.
11. Spingere il cappuccio terminale verso la testa della pistola mentre lo si avvita nella testa della pistola. Utilizzando una chiave , serrare saldamente il cappuccio terminale.
12. Eseguire la procedura di "Regolazione del gruppo guarnizione della baderna" descritta di seguito.

## **Regolazione del gruppo tenuta della baderna**



La corretta regolazione del gruppo tenuta è essenziale per

garantire una chiusura positiva quando si rilascia il grilletto.

5. Inserire una chiave esagonale da 1/8" attraverso il foro al centro del cappuccio terminale finché non si inserisce all'interno della vite di regolazione della guarnizione della guarnizione.

6. Ruotare la vite di regolazione della guarnizione a baderna in senso orario fino a sentire la sfera sul gruppo della guarnizione a baderna che si inserisce in posizione. Quindi, girare la vite di 1/4 di giro in più per ottenere la tensione corretta .

### **Sostituzione/rimozione del filtro**

13. Tirare in avanti la parte inferiore della protezione del grilletto in modo che si stacchi dal gruppo impugnatura (9)

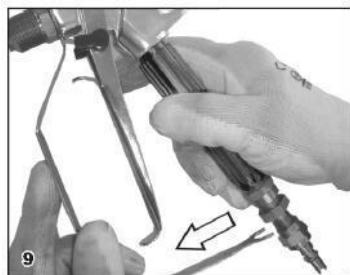
14. Allentare e rimuovere il gruppo impugnatura dalla testa della pistola(10).

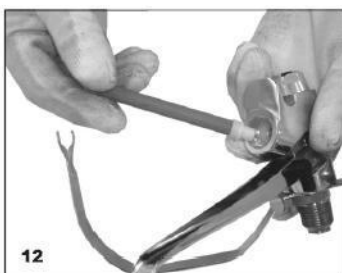
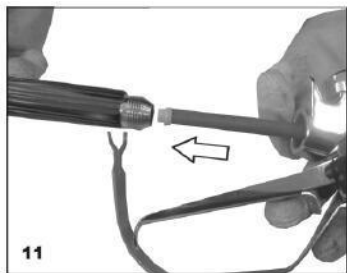
15. Estrarre il vecchio filtro dalla testa della pistola (11).

16. Far scorrere il nuovo filtro, prima con l'estremità rastremata , nella testa della pistola (12).

17. Assicurarsi che tutte le parti siano pulite e la guarnizione della maniglia è in posizione all'interno della testa della pistola .

18. Avvitare il gruppo impugnatura nella testa della pistola fino a fissarlo saldamente.7. Riagganciare la protezione del grilletto sul gruppo della maniglia.





## SPECIFICHE TECNICHE

Tipo:	821	Pressione di esercizio	3600PSI
Tipo di alimentazione	Pressione	Ugello standard	0,017"(517)
Connessione vernice	1/4-18NPSM	Larghezza del modello	254-305 mm

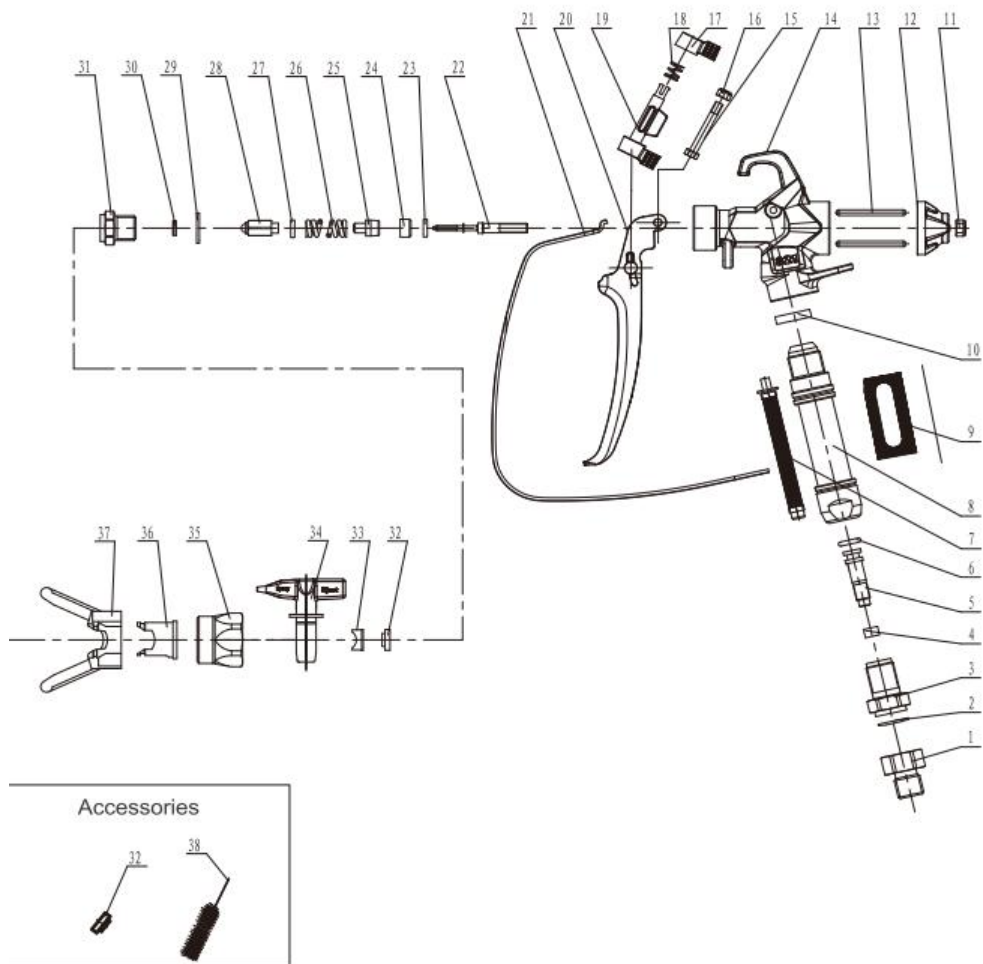
**SCFM:** Piedi cubi standard al minuto (la portata volumetrica di un far corretto a condizioni standardizzate di temperatura e pressione).

TNP: Filettatura nazionale

### Responsabilità ambientali

Si prega di riciclare i materiali indesiderati invece di smaltirli come rifiuti. Tutti gli strumenti, i tubi flessibili e gli imballaggi devono essere differenziati, portati al centro di riciclaggio locale e smaltiti in modo sicuro per l'ambiente.

## DISEGNO DI MONTAGGIO



## ELENCO DELLE PARTI

NO	Descrizione	Qtà	NO	Descrizione	Qtà	NO	Descrizione	Qtà
1	Connettore di ingresso dell'aria	1	14	Corpo della pistola	1	27	Rondella della testa del ditale	1
2	Rondella	1	15	Bullone esagonale	1	28	Gruppo testa ditale	1
3	Giunto di ingresso materiale	1	16	Dado di bloccaggio esagonale	1	29	Rondella della spina	1
4	Rondella di intervallo	1	17	Giunto del polo di innesco	1	30	Inserire la spina	1
5	Nucleo di connessione materiale	1	18	Primavera	1	31	Sede della spina	1
6	O-ring 6*2	1	19	Polo del grilletto	1	32	Tappo in gomma	1
7	Filtro	1	20	Grilletto	1	33	Tappo dell'ugello	1
8	Maniglia	1	21	Tigro Guarg	1	34	Gruppo punta reversibile	1
9	Fodero per maniglia	1	22	Ditale	1	35	Noce	1
10	Rondella	1	23	Rondella di rame	1	36	Sedile di punta	1
11	Dado di bloccaggio esagonale	1	24	Rondella di tenuta del ditale	1	37	Guardia della punta	1
12	Cambia posto	1	25	Nucleo primaverile	1	32	Tappo in gomma	1
13	Perno	2	26	Ditale	1	38	Spazzola	1

	dell'interruttore			Primavera				
--	-------------------	--	--	-----------	--	--	--	--

**Indirizzo:** Baoshanqu Shuangchenglu 803long 11hao 1602A-1609shi Shanghai

**Importato in AUS:** SIHAO PTY LTD . 1 ROKEVA STREETEASTWOOD NSW  
2122 Australia

**Importato negli Stati Uniti:** Sanven Technology Ltd. Suite 250, 9166 Anaheim  
Place, Rancho Cucamonga, CA 91730



Pooledas Group Ltd  
Unit 5 Albert Edward House, The Pavilions  
Preston, United Kingdom



SHUNSHUN GmbH  
Römeräcker 9 Z2021, 76351  
Linkenheim-Hochstetten, Germany

**Made in China**







**VEVOR**<sup>®</sup>

**TOUGH TOOLS, HALF PRICE**

**Tecnico Supporto e certificato di garanzia elettronica**

**[www.vevor.com/support](http://www.vevor.com/support)**

# **VEVOR<sup>®</sup>**

**TOUGH TOOLS, HALF PRICE**

Techniczny Certyfikat wsparcia i e-gwarancji [www.vevor.com/support](http://www.vevor.com/support)

## **BEZPOWIETRZNY PISTOLET NATRYSKOWY**

We continue to be committed to provide you tools with competitive price.

"Save Half", "Half Price" or any other similar expressions used by us only represents an estimate of savings you might benefit from buying certain tools with us compared to the major top brands and does not necessarily mean to cover all categories of tools offered by us. You are kindly reminded to verify carefully when you are placing an order with us if you are actually saving half in comparison with the top major brands.

# VEVOR<sup>®</sup>

TOUGH TOOLS, HALF PRICE

## AIRLESS SPRAY GUN



**MODEL:821**









### NEED HELP? CONTACT US!



Have product questions? Need technical support? Please feel free to contact us:

**Technical Support and E-Warranty Certificate**  
**[www.vevor.com/support](http://www.vevor.com/support)**

This is the original instruction, please read all manual instructions carefully before operating. VEVOR reserves a clear interpretation of our user manual. The appearance of the product shall be subject to the product you received. Please forgive us that we won't inform you again if there are any technology or software updates on our product.

## 4. Ważne instrukcje dotyczące bezpieczeństwa

	<p>Ostrzeżenie — aby zmniejszyć ryzyko obrażeń, użytkownik musi uważnie przeczytać instrukcję obsługi. Przed użyciem tego produktu należy przeczytać i zrozumieć niniejszą instrukcję obsługi. niezastosowanie się do tego zalecenia może skutkować poważnymi obrażeniami lub śmiercią.</p>
	<p>Ostrzeżenie — podczas korzystania z tego produktu należy nosić ochroniacze uszu.</p>
	<p>Ostrzeżenie — podczas korzystania z tego produktu należy nosić okulary ochronne.</p>
	<p>Ostrzeżenie — podczas korzystania z tego produktu należy nosić maski przeciwpyłowe.</p>
   	<p><b>POŻAR I WYBUCH</b> Zagrozenie Opary rozpuszczalników i farb mogą zapalić się lub eksplodować  Aby zapobiec pożarowi lub eksplozji</p> <ul style="list-style-type: none"> <li>· Stosować na zewnątrz lub w dobrze wentylowanym pomieszczeniu.</li> <li>· Unikaj wszelkich źródeł zapłonu, takich jak elektryczność statyczna z plastikowych szmatek, otwartego ognia, takiego jak świetliki, gorące przedmioty, takie jak papierosy, oraz łuki spowodowane podłączaniem lub odłączaniem przewodów zasilających i wyłączenie lub włączenie światła.</li> </ul> <p>Przyklej przełączniki ścienne taśmą, aby zapobiec ich wyłączeniu i włączeniu.</p> <ul style="list-style-type: none"> <li>· Tylko do użytku lub węże do hydrodynamicznego malowania Graco.</li> <li>· Opryskiwacz gruntowy, natryskiwanych przedmiotów oraz wiadra z farbą/rozpuszczalnikiem.</li> <li>· Przytrzymaj metalową część pistoletu mocno do boku uziemionego metalowego wiadra podczas wyzwiania w wiadrze .</li> <li>· Nie używać 1,1,1 hydroelektrycznie , chlorek metylenu inne chlorowcowane rozpuszczalniki węglowodorowe lub płyny zawierające takie rozpuszczalniki w tym pilocie lub inne aluminium pod ciśnieniem</li> </ul>

	<p>sprzęt. Takie użycie może spowodować reakcję chemiczną i eksplozję .</p>
	<p><b>NIEBEZPIECZEŃSTWO WTRYSKU PŁYNU</b> Rozpylony strumień lub wycieki pod wysokim ciśnieniem mogą spowodować wstrzyknięcie płynu do organizmu. Jeśli płyn pod wysokim ciśnieniem cię przebije skórą, może wyglądać kontuzja daj nam cięcie, ale to poważna rana. Uzyskaj natychmiastową pomoc lekarską .</p> <p>Aby zapobiec wstrzyknięciu</p> <ul style="list-style-type: none"> <li>·Zawsze ustawiaj zabezpieczenie spustu pistoletu w pozycji <b>BEZPIECZEŃSTWO WŁĄCZONE</b>, gdy nie natryskujesz.</li> <li>·Zawsze należy zwolnić ciśnienie przed sprawdzeniem lub naprawić nieszczelności i przerwać natryskiwanie.</li> <li>·Nigdy nie używaj komponentów o wartości znamionowej niższej niż Maksymalne Ciśnienie Robocze systemu Jasne.</li> <li>·Nigdy nie pozwalaj dzieciom używać tej broni.</li> <li>·Nigdy nie celuj pistoletem w siebie ani w nikogo innego</li> </ul>
	<p><b>NIEBEZPIECZEŃSTWO ROZRYWANIA PŁYNU</b></p> <p>Aby uniknąć rozpryskiwania się cieczy podczas natryskiwania, należy upewnić się, że pistolet natryskowy jest zamontowany z uszczelką odpowiednią do natryskiwanego płynu. Zobacz Instalowanie końcówki.</p> <p><b>NIEBEZPIECZEŃSTWO ODRZUTU :</b></p> <p>Przygotuj się. Broń może odskoczyć po naciśnięciu.</p>

·Nie rozpylać materiałów łatwopalnych lub palnych w pobliżu otwartego płomienia, lampki kontrolne lub źródła zapłonu, na przykład gorąco obiekty, papierosy, Motoryzacja, sprzęt elektryczny i urządzenia elektryczne. Unikaj tworzenia iskier podczas podłączania i odłączania przewodów zasilających .

·W przypadku urządzeń przeznaczonych do użytku wyłącznie z materiałami na bazie wody lub spirytusu mineralnego o temperaturze zapłonu aluminium wynoszącej 38°C (100°F) — Nie należy spryskiwać ani czyścić cieczami o temperaturze zapłonu niższej niż 38°C (100°F) ). Temperatura zapłonu to

temperatura, w której płyn może wytworzyć wystarczającą ilość pary, aby się zapalić.

·Zachowaj szczególną ostrożność podczas używania materiałów o temperaturze zapłonu poniżej 100F (38°C). Wspominać do instrukcji pompy, aby określić, czy te materiały można natryskiwać.

·Farba lub rozpuszczalnik przepływający przez urządzenie może spowodować wyładowanie elektrostatyczne. Elektryczność statyczna stwarza ryzyko pożaru lub eksplozji w obecności oparów farby lub rozpuszczalnika . Wszystkie części układu natryskowego, łącznie z pompą, montaż węża, pistolet natryskowy i przedmioty znajdujące się w obszarze natryskiwania i wokół niego powinny być odpowiednio uziemione w celu ochrony przed wyładowaniami statycznymi i iskrami. Należy używać wyłącznie przewodzących lub uziemionych, wysokociśnieniowych węży do hydrodynamicznego natryskiwania farb, określonych przez producenta.

·Sprawdź, czy wszystkie pojemniki i systemy zbierania są uziemione, aby zapobiec ładunkom elektrostatycznym wypisać.

·Podłączyć do uziemionego gniazdka i używać uziemionych przedłużaczy (tylko modele elektryczne). Nie używaj adaptera 3 do 2.

·Nie używać farb ani rozpuszczalników zawierających uwodornione węglowodory. Takie jak chlor, środek wybielający na pleśń, chlorek metylenu i trichloroetan. Nie są kompatybilne z aluminium. Skontaktuj się z dostawcą powłoki w sprawie kompatybilności materiału z aluminium.

·Utrzymuj dobrą wentylację obszaru natryskiwania. Zapewnij dobry dopływ świeżego powietrza przepływającego przez obszar , aby powietrze w obszarze natryskiwania było wolne od gromadzenia się łatwopalnych oparów.

Przechowywać zespół pompy w dobrze wentylowanym pomieszczeniu. Nie spryskiwać zespołu pompy.

·Nie palić w obszarze natryskiwania.


·Nie używaj włączników świateł, silników ani podobnych produktów wytwarzających iskry w obszarze natryskiwania .

·Utrzymuj obszar w czystości i wolny od pojemników z farbą lub rozpuszczalnikami, szmat i innych materiałów łatwopalnych .

·Zapoznać się ze składem natryskiwanej farby i rozpuszczalników. Przeczytaj wszystkie karty charakterystyki materiału (MSDS) i etykiety pojemników dostarczone wraz z farbami i rozpuszczalnikami. Postępuj zgodnie z instrukcjami

bezpieczeństwa producenta farb i rozpuszczalników.

- Umieść pompę w odległości co najmniej 25 stóp (7,62 m) od rozpylanego obiektu w dobrze wentylowanym miejscu (w razie potrzeby dodaj więcej węża) niezbędny).
- Opary łatwopalne są często cięższe od powietrza. Powierzchnia podłogi musi być bardzo dobrze wentylowana. Pompa zawiera części łukowe, które emitują iskry i mogą zapalić opary.
- Tworzywo sztuczne może powodować iskry statyczne. Nigdy nie wieszaj plastiku, aby zamknąć obszar natryskiwania. Nie używaj plastikowe ściereczki podczas natryskiwania materiałów łatwopalnych.
- Sprzęt gaśniczy powinien być obecny i sprawny.

	<b>OSTRZEŻENIE: USZKODZENIE WTRYSKU</b>
	Strumień farby pod wysokim ciśnieniem wytwarzany przez to urządzenie może przebić skórę i tkanki podskórne, prowadzące do poważnych obrażeń i możliwe amputacja. Natychmiast udaj się do lekarza.

- Nie celuj pistoletem ani nie opryskuj żadnej osoby lub zwierzęcia.
- Trzymaj ręce i inne części ciała z dala od wylotu. Na przykład nie próbuj zatamować wycieków jakąkolwiek częścią ciała.
- NIGDY nie wkładaj ręki przed pistolet. Rękawiczki nie zapewniają ochrony przed obrażeniami spowodowanymi zastrzykiem .
- ZAWSZE podczas natryskiwania trzymaj osłonę końcówki na miejscu. Osłona końcówki zapewnia pewną ochronę , ale pełni głównie funkcję ostrzegawczą
- Używaj wyłącznie końcówki dyszy określonej przez producenta.
- Zachowaj ostrożność podczas czyszczenia i wymiany końcówek dysz. W przypadku zatkania końcówki dyszy podczas natryskiwania, ZAWSZE blokuj spust pistoletu, wyłączaj pompę i spuść całe ciśnienie przed przystąpieniem do serwisowania, czyszczenia końcówki lub osłony lub wymiany końcówki. Wyłączenie silnika nie spowoduje uwolnienia ciśnienia . Zawór PRIME/SPRAY lub ciśnieniowy zawór upustowy muszą być przekręcone w odpowiednich pozycjach, aby uwolnić ciśnienie z układu. Patrz USUWANIE CIŚNIENIA PROCEDURA opisana w instrukcji

pompy.

- Nie pozostawiaj urządzenia pod napięciem lub pod ciśnieniem bez nadzoru. Kiedy jednostka jest nieużywana, wyłącz urządzenie i rozładować ciśnienie zgodnie z zaleceniami producenta instrukcje.
- Spray pod wysokim ciśnieniem może wstrzyknąć toksyny do organizmu i spowodować poważne obrażenia ciała . W przypadku wystąpienia wstrzyknięcia należy natychmiast zwrócić się o pomoc lekarską.
- Sprawdź węże i części pod kątem oznak uszkodzeń, wyciek może spowodować wstrzyknięcie materiału pod skórę. Sprawdzam wąż przed każdym użyciem. Wymień uszkodzone węże lub części. Używaj tylko TITANA oryginalne węże wysokociśnieniowe, aby zapewnić funkcjonalność, bezpieczeństwo i trwałość.
- . System ten jest w stanie wytworzyć ciśnienie 3600 psi/248 barów. Używaj wyłącznie części zamiennych lub akcesoria określone przez producenta i posiadające moc znamionową co najmniej 3600PSI. Obejmuje to końcówki natryskowe, osłony dysz, pistolety, przedłużki, złączki i węże .
- . Zawsze włączaj blokadę spustu, gdy nie wykonujesz natryskiwania. Sprawdź, czy blokada spustu działa prawidłowo .
- . Przed uruchomieniem urządzenia sprawdź, czy wszystkie połączenia są pewne.
- Wiedzieć, jak zatrzymać urządzenie i szybko spuścić ciśnienie. Dokładnie zapoznaj się ze sterowaniem . Wyłączenie silnika nie spowoduje uwolnienia ciśnienia. PRIME/SPRAY zawór lub zawór upustowy należy obrócić do odpowiedniego położenia, aby uwolnić ciśnienie z układu. Patrz PROCEDURA REDUKCJI CIŚNIENIA opisana w instrukcji pompy .
- Zawsze zdejmuj końcówkę natryskową przed płukaniem lub czyszczeniem systemu.

### **UWAGA DLA LEKARZA:**

**Wstrzyknięcie podskórne jest urazem, który może prowadzić do amputacji . Ważne jest, aby jak najszybciej wyleczyć kontuzję. DO NIE opóźniać leczenia w celu zbadania toksyczności. W przypadku niektórych powłok wstrzykiwanych bezpośrednio do krwiobiegu problemem jest toksyczność . Wskazana może być konsultacja z**



## chirurgiem plastycznym lub chirurgiem rekonstrukcyjnym ręki.



### **OSTRZEŻENIE:**

#### **OGÓLNY Może spowodować poważne obrażenia lub uszkodzenie mienia**

Zawsze noś odpowiednie rękawice, ochronę oczu, odzież i respirator lub maskę podczas malowania.

- Nie używaj ani nie rozpylaj w pobliżu dzieci. Trzymaj dzieci z dala od sprzętu przez cały czas.
- Nie należy sięgać za daleko ani nie stawać na niestabilnym podłożu. Utrzymuj skuteczną równowagę i równowagę w każdym momencie.
- Zachowaj czujność i uważaj, co robisz.
- Nie obsługuj urządzenia będąc zmęczonym lub pod wpływem narkotyków lub alkoholu.
- Nie załamuj ani nie zginaj nadmiernie węża. W węży bezpowietrznym mogą wystąpić nieszczelności w wyniku zużycia lub załamania i nadużycia. Wyciek może spowodować wstrzyknięcie materiału pod skórę.
- Nie narażaj węża na działanie temperatur lub ciśnień przekraczających te określone przez producent.
- Nie używaj węża jako elementu wzmacniającego do ciągnięcia lub podnoszenia urządzenia. Do przepłukania sprzętu stosować najniższe możliwe ciśnienie.
- Postępuj zgodnie ze wszystkimi odpowiednimi przepisami lokalnymi, stanowymi i krajowymi dotyczącymi wentylacji i pożaru profilaktyka i działanie.
- Przed każdym użyciem należy sprawdzić wszystkie węże pod kątem przecięć, wycieków, przetarć lub wybrzuszeń osłony. Sprawdź, czy złącza nie są uszkodzone lub poruszają się. Jeżeli występuje którykolwiek z powyższych, natychmiast wymień wąż istnieją warunki. Nigdy nie naprawiaj węża lakierniczego. Wymień na przewodzący wąż wysokociśnieniowy.
- Nie rozpylać na zewnątrz w wietrzne dni. Zawsze odłączaj przewód od

gniazdka przed rozpoczęciem pracy przy sprzęcie (tylko modele elektryczne)

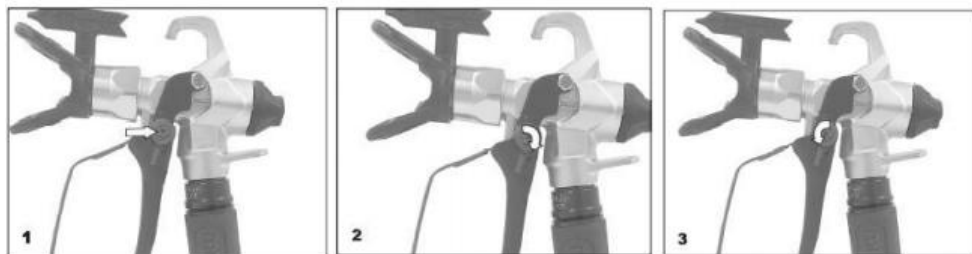
### **Instrukcje obsługi**

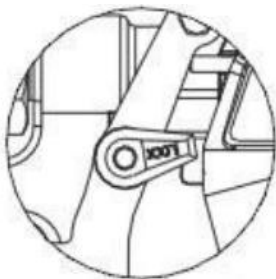


### **Korzystanie z blokady spustu pistoletu**

Zawsze włączaj blokadę spustu pistoletu, gdy pistolet nie jest używany (1) po każdym użyciu i przechowuj go w suchym miejscu. Nie pozostawiaj pistoletu ani żadnej jego części w wodzie napiećcie.

1. Aby zablokować spust, obróć blokadę spustu do tyłu, aż się zatrzyma (2) lub rozpuszczalników
2. Aby odblokować spust, obróć blokadę spustu do przodu, aż znajdzie się w pozycji pionowej(3) .





**Spust zablokowany (pistolet nie rozpyła)**      **Spust odblokowany**  
**(pistolet będzie rozpyłał)**

### **Organizować coś**



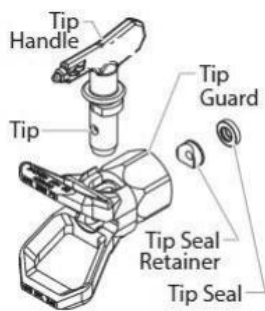
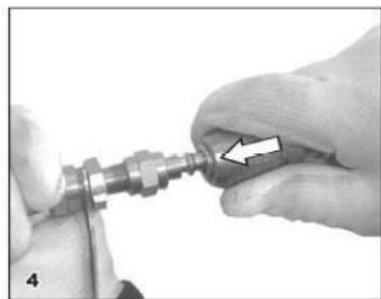
**Nigdy nie próbuj montować, wymieniać ani czyścić pistoletu, końcówki ani osłony końcówki bez nich najpierw usunąć ciśnienie z układu natryskowego. Postępuj zgodnie z instrukcją „Uwolnienie ciśnienia Procedura” w instrukcji opryskiwacza.**



**Zawsze używaj osłony zabezpieczającej końcówkę, aby zapewnić dodatkową ochronę przed wstrzyknięciem. Należy pamiętać, że sama osłona nie zapobiegnie wstrzyknięciu. Nigdy nie odcinaj osłony końcówki!**  
**Zawsze włączaj blokadę spustu pistoletu, gdy pistolet nie jest używany. Przed przystąpieniem do serwisowania sprzętu zapoznaj się z instrukcją obsługi i przestrzegaj wszystkich ostrzeżeń.**

19. Ustaw opryskiwacz. Zapoznaj się ze wskazówkami zawartymi w instrukcji obsługi opryskiwacza.

2. Podłączyć uziemiony wąż do natrysku hydrodynamicznego do wlotu materiału pistoletu. Za pomocą dwóch kluczy (jeden na pistolet i jeden na wąż) mocno dokręć (4).

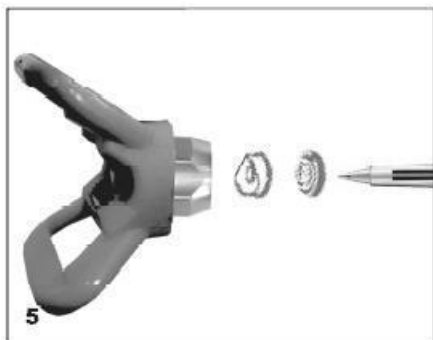


20. Gdy końcówka i osłona końcówki są zdjęte z pistoletu, uruchom urządzenie natryskowe. Przepłucz i przygotuj system natryskowy zgodnie z instrukcją obsługi opryskiwacza. Sprawdź system natryskowy, aby upewnić się, że wszystkie mocowania są dobrze zamocowane i nie ma wycieków.

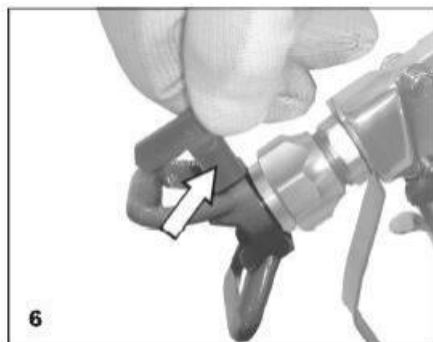
21. Wykonaj „Procedurę usuwania nadmiaru ciśnienia” opisaną w instrukcji obsługi opryskiwacza.

22. Używając grotu strzałki na uchwycie końcówki, włóż uszczelkę końcówki i element ustalający uszczelki końcówki w tylne miejsce osłony końcówki (5).

Wciśnij, aby dokonać ostatecznej regulacji.



23. Włóż końcówkę w szczelinę na osłonie końcówki (6).



24. Nakręć osłonę końcówki na pistolet. Ustaw osłonę końcówki w żądanej pozycji natryskiwania i mocno dokręć.

UWAGA: Strzałka na uchwycie końcówki powinna być skierowana do przodu podczas natryskiwania.

## Operacja

13. Upewnij się, że strzałka na uchwycie końcówki jest skierowana do przodu w celu natryskiwania.

14. Uruchom opryskiwacz. Zapoznaj się ze wskazówkami zawartymi w instrukcji obsługi opryskiwacza.

15. Reguluj ciśnienie płynu w opryskiwaczu, aż do całkowitego rozpylenia sprayu. Zawsze natryskiwać przy najniższym ciśnieniu niezbędnym do uzyskania pożądaných rezultatów. UWAGA: Końcówka natryskowa określa wielkość wzoru natryskiwania i pokrycie. Gdy potrzebne jest większe krycie, zamiast zwiększać ciśnienie płynu, użyj większej końcówki.

16. Aby oczyścić zatkana końcówkę J. Obróć końcówkę 1 o 80° tak, aby strzałka na uchwycie końcówki była skierowana przeciwnie do kierunku natryskiwania.(7)

K. Nacisnąć spust pistoletu jeden raz, aby ciśnienie mogło wydmuchać pistolet zatykać. Ważne : Nigdy nie naciskaj spustu więcej niż raz czas z końcówką w odwrotnym położeniu.

L. Kontynuuj tę procedurę, aż końcówka będzie wolna od zatkania



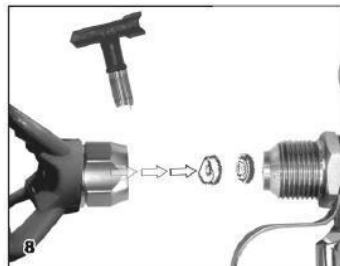
### Zmiana końcówki

Końcówki można łatwo zdejmować i wymieniać bez demontażu pistoletu.

**Nigdy nie próbuj zmieniać ani czyścić końcówki ani osłony końcówki bez uprzedniego wykonania „ Procedury usuwania nadmiaru ciśnienia ”.**

10. Wykonaj „Procedurę usuwania nadmiaru ciśnienia” opisaną w instrukcji obsługi opryskiwacza .

11. Wyjmij końcówkę ze szczeliny na osłonie końcówki.



12. Włóż nową końcówkę do szczeliny na osłonie końcówki. Strzała na końcówce uchwyt powinien być skierowany do przodu.

### **Demontaż uszczelki i uszczelki końcówki**

7. Zdjąć końcówkę i osłonę końcówki z pistoletu natryskowego.

8. Zdjąć uszczelkę i uszczelkę końcówki z tyłu osłony końcówki (8)

### **Identyfikacja rozmiarów końcówek**

Aby określić rozmiary końcówek, użyj poniższego wzoru. W tym przykładzie zostanie użyta końcówka o rozmiarze „517” .

Pierwsza cyfra pomnożona przez dwa oznacza wielkość wzoru natryskiwanego podczas natryskiwania 12 cali (30 cm) od powierzchni roboczej:  $5 \times 2 = 10$  cali . Dwie drugie cyfry oznaczają średnicę otworu na końcówce:  $17 =$  otwór 0,017 cala (0,43 mm) .

**NOTATKA: Zużyte końcówki natryskowe będą miały niekorzystny wpływ na wzór natryskiwania i będą skutkować zmniejszeniem produkcji , złym wykończeniem i stratą materiału. Natychmiast wymień zużyte końcówki .**

### **Posprzątać**

Aby zapewnić bezawaryjną pracę, ważne jest utrzymywanie czystego pistoletu. Po każdym użyciu przepłucz pistolet i przechowuj go w suchym miejscu. Nie pozostawiaj pistoletu ani żadnej jego części w wodzie lub rozpuszczalnikach .

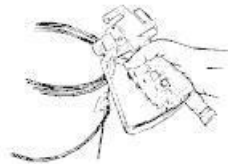


### **Specjalne instrukcje dotyczące czyszczenia w przypadku stosowania z łatwopalnymi rozpuszczalnikami:**

Zawsze przepłucz pistolet natryskowy, najlepiej na zewnątrz, w odległości co najmniej jednej długości węża pompa natryskowa.

- Jeśli zbierzesz przepłukane rozpuszczalniki do metalowego pojemnika o pojemności jednego galona, umieść go w pustym pojemniku o pojemności pięciu galonów , a następnie przepłucz rozpuszczalniki.

- Obszar musi być wolny od łatwopalnych oparów
- Postępuj zgodnie ze wszystkimi instrukcjami czyszczenia.
- Ważne : Urządzenie natryskowe, wąż i pistolet należy oczyścić dokładnie po codziennym użyciu. W przeciwnym razie materiał może się zbrylić, co poważnie wpływa na wydajność urządzenia.



Jeśli do czyszczenia rozpylacza, węża lub pistoletu używana jest benzyna lakowa lub inny rozpuszczalnik, należy zawsze natryskiwać przy minimalnym ciśnieniu ze zdjętą końcówką i osłoną końcówki . Gromadzenie się elektryczności statycznej może spowodować pożar lub eksplozję w obecności łatwopalnych oparów. Podczas płukania mocno trzymać pistolet przy metalowym pojemniku.

## **Konserwacja**



należy przestrzegać wszystkich środków ostrożności opisanych w części „Środki ostrożności” niniejszej instrukcji.  
UWAGA: Informacje na temat identyfikacji części można znaleźć w części „Lista części” w niniejszej instrukcji.

## **Wymiana/serwisowanie zespołu uszczelki**

Jeśli pistolet natryskowy przecieka lub pluje na końcówkę po zwolnieniu spustu, igły lub gniazda jest zużyty, uszkodzony lub brudny i należy go wymienić lub oczyścić.



**Nigdy nie próbuj przeprowadzać konserwacji pistoletu natryskowego bez uprzedniego wykonania „Procedury usuwania nadmiaru ciśnienia”.**



1. Wykonaj „Procedurę usuwania nadmiaru ciśnienia” i odłącz wąż cieczy od pistoletu.
  2. Zdjąć zaślepkę i sprężynę uszczelniającą z tyłu głowicy pistoletu.
  3. Za pomocą klucza nasadowego 3/8" wyjmij zespół uszczelki uszczelnienia z tyłu głowicy pistoletu.
  4. Zmocz zdemontowane części w odpowiednim rozpuszczalniku i wytrzyj do czysta.
  5. Sprawdź części pod kątem zużycia lub uszkodzenia i podczas ponownego montażu pistoletu użyj nowych części. kiedy konieczne.
- UWAGA: Nasmaruj wszystkie chwytaki i części ruchome przed ponownym montażem za pomocą a smar na bazie litu .
6. Upewnij się, że dwa sworznie retraktora wewnątrz głowicy pistoletu znajdują się w prawidłowej pozycji7. Włóż zespół uszczelki uszczelnienia z tyłu głowicy pistoletu i wkręć go ręcznie aż do oporu.
  8. Za pomocą klucza nasadowego 3/8" dokręć zespół uszczelki uszczelnienia. Dokręć momentem 5 Nm (3,7 ft./lbs.).
  9. Nasmarować oba końce sprężyny uszczelniającej i umieścić ją na zespole uszczelki uszczelnienia w głowicy pistoletu.
  10. Umieścić zaślepkę na sprężynie uszczelniającej w taki sposób, aby pilot znajdujący się wewnątrz zaślepki został osadzony w sprężynie uszczelniającej.
  11. Dociśnij zaślepkę w kierunku głowicy pistoletu, wkręcając ją w głowicę pistoletu. Za pomocą klucza dokładnie dokręć zaślepkę.12. Wykonaj opisaną poniżej procedurę „Regulacja zespołu uszczelki dławnicy”.

### **Regulacja zespołu uszczelki uszczelnienia**



Właściwa regulacja zespołu uszczelnienia jest niezbędna do zapewnienia skutecznego odcięcia po zwolnieniu spustu.

7. Włóż klucz sześciokątny 1/8" przez otwór pośrodku zaślepki, aż zostanie osadzony w śrubie regulacyjnej uszczelki uszczelnienia.

8. będzie można wyczuć, że kulka na zespole uszczelnienia jest osadzona na swoim miejscu. Następnie obróć śrubę o 1/4 obrotu bardziej, aby uzyskać odpowiednie napięcie .

### **Wymiana/demontaż filtra**

19. Pociągnij dolną część kabłąka spustowego do przodu, aby odłączyć się od zespołu uchwytu (9)

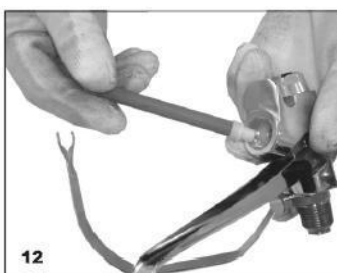
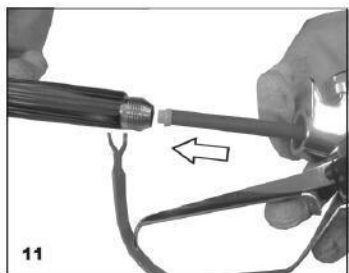
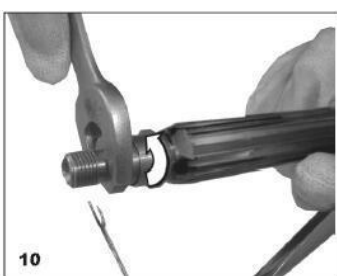
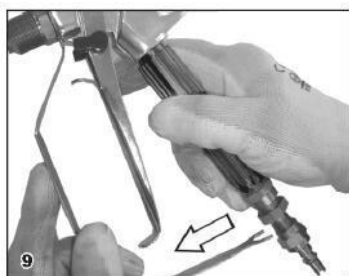
20. Poluzuj i zdejmij zespół uchwytu z głowicy pistoletu (10).

21. Wyciągnij stary filtr z głowicy pistoletu (11).

22. Wsuń nowy filtr, stożkowym końcem do przodu, do głowicy pistoletu (12).

23. Upewnij się, że wszystkie części są czyste i uszczelka uchwytu znajduje się wewnątrz głowicy pistoletu .

24. Wkręć zespół uchwytu w głowicę pistoletu, aż będzie dobrze zamocowany.7. Zatrzaśnij osłonę spustu z powrotem na zespole uchwytu.



## **SPECYFIKACJA TECHNICZNA**

Typ:	821	Ciśnienie operacyjne	3600PSI
Rodzaj paszy	Ciśnienie	Standardowa dysza	0,017"(517)
Połączenie farby	1/4-18NPSM	Szerokość wzoru	254-305 mm

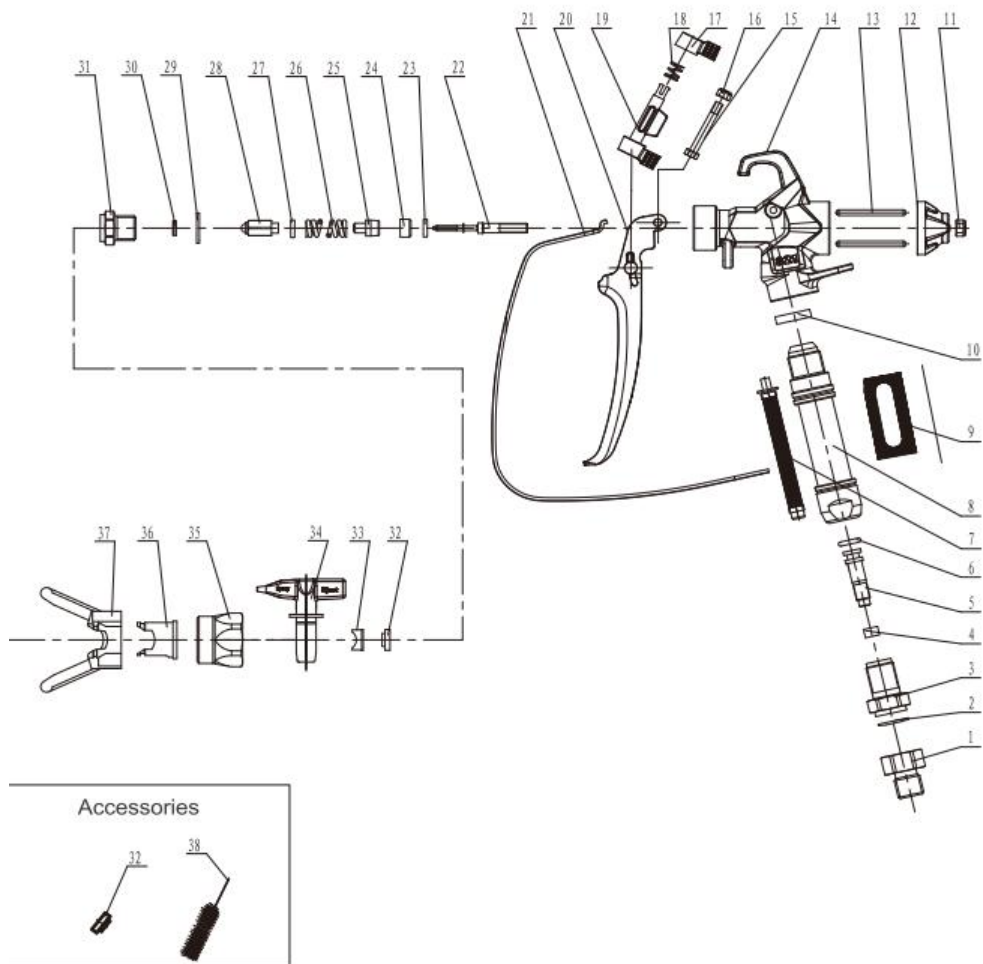
**SCFM:** Standardowe stopy sześciennie na minutę (objętościowe natężenie przepływu znacznie skorygowane do znormalizowanych warunków temperatury i ciśnienia).

NPT: Krajowy wątek rurowy

### **Obowiązki środowiskowe**

Prosimy o poddawanie niechcianych materiałów recyklingowi, zamiast wyrzucania ich jako odpady. Wszystkie narzędzia, węże i opakowania należy posortować i przekazać do lokalnego centrum recyklingu i zutylizować w sposób bezpieczny dla środowiska.

## **RYSUNEK MONTAŻOWY**



## LISTA CZĘŚCI

NIE	Opis	Ilość	NIE	Opis	Ilość	NIE	Opis	Ilość
1	Złącze wlotu powietrza	1	14	Korpus pistoletu	1	27	Podkładka głowicy naparstkowej	1
2	Pralka	1	15	Śruba sześciokątna	1	28	Zespół głowicy gilzy	1
3	Złącze wlotu materiału	1	16	Nakrętka zabezpieczająca sześciokątna	1	29	Podkładka wtyczki	1
4	Podkładka interwałowa	1	17	Złącze bieguna spustowego	1	30	Wkładka wtyczki	1
5	Rdzeń połączenia materiału	1	18	Wiosna	1	31	Gniazdo wtyczki	1
6	O-ring 6*2	1	19	Biegun spustowy	1	32	Gumowa zatyczka	1
7	Filtr	1	20	Spust	1	33	Nakładka na dyszę	1
8	Uchwyt	1	21	Tygrys Guarg	1	34	Odwracalny zespół końcówki	1
9	Ośłona uchwytu	1	22	Naparstek	1	35	Orzech	1
10	Pralka	1	23	Podkładka miedziana	1	36	Miejsce na napiwki	1
11	Nakrętka zabezpieczająca sześciokątna	1	24	Podkładka uszczelniająca gilzy	1	37	Strażnik napiwków	1
12	Zmień siedzenie	1	25	Rdzeń wiosenny	1	32	Gumowa zatyczka	1
13	Zmień PIN	2	26	Sprężyna naparstkowa	1	38	Szczotka	1

**Adres:** Baoshanqu Shuangchenglu 803long 11hao 1602A-1609shi Szanghaj

**Import do AUS:** SIHAO PTY LTD . 1 ROKEVA STREETEASTWOOD NSW 2122  
Australia

**Import do USA:** Sanven Technology Ltd. Suite 250, 9166 Anaheim Place, Rancho  
Cucamonga, CA 91730



Pooledas Group Ltd  
Unit 5 Albert Edward House, The Pavilions  
Preston, United Kingdom



SHUNSHUN GmbH  
Römeräcker 9 Z2021, 76351  
Linkenheim-Hochstetten, Germany

**Wyprodukowano w Chinach**







**VEVOR**<sup>®</sup>

**TOUGH TOOLS, HALF PRICE**

**Techniczny Certyfikat wsparcia i e-gwarancji**

**[www.vevor.com/support](http://www.vevor.com/support)**

# **VEVOR<sup>®</sup>**

**TOUGH TOOLS, HALF PRICE**

Technisch Support- und E-Garantie-Zertifikat [www.vevor.com/support](http://www.vevor.com/support)

## **AIRLESS-SPRITZPISTOLE**

We continue to be committed to provide you tools with competitive price.

"Save Half", "Half Price" or any other similar expressions used by us only represents an estimate of savings you might benefit from buying certain tools with us compared to the major top brands and does not necessarily mean to cover all categories of tools offered by us. You are kindly reminded to verify carefully when you are placing an order with us if you are actually saving half in comparison with the top major brands.

# VEVOR®

TOUGH TOOLS, HALF PRICE

## AIRLESS SPRAY GUN



**MODELL:821**









### NEED HELP? CONTACT US!

Have product questions? Need technical support? Please feel free to contact us:

**Technical Support and E-Warranty Certificate**  
**[www.vevor.com/support](http://www.vevor.com/support)**

This is the original instruction, please read all manual instructions carefully before operating. VEVOR reserves a clear interpretation of our user manual. The appearance of the product shall be subject to the product you received. Please forgive us that we won't inform you again if there are any technology or software updates on our product.

## 5. Wichtige Sicherheitsanweisungen

	<p>Warnung – Um das Verletzungsrisiko zu verringern, muss der Benutzer die Bedienungsanleitung sorgfältig lesen . Lesen und verstehen Sie diese Bedienungsanleitung, bevor Sie dieses Produkt verwenden. Andernfalls kann es zu schweren Verletzungen oder zum Tod kommen.</p>
	<p>Warnung: Tragen Sie bei der Verwendung dieses Produkts unbedingt Gehörschutz.</p>
	<p>Warnung: Tragen Sie bei der Verwendung dieses Produkts unbedingt einen Augenschutz.</p>
	<p>Warnung: Tragen Sie bei der Verwendung dieses Produkts unbedingt Staubmasken.</p>
   	<p><b>BRAND- UND EXPLOSIONSGEFAHR</b> Lösungsmittel- und Farbdämpfe können sich entzünden oder explodieren  Um einen Brand oder eine Explosion zu verhindern</p> <ul style="list-style-type: none"> <li>·Im Freien oder in einem gut belüfteten Bereich verwenden.</li> <li>· Vermeiden Sie alle Zündquellen wie statische Elektrizität durch Plastikklappen, offene Flammen wie Pilorlampen, heiße Gegenstände wie Zigaretten, und Lichtbögen beim Anschließen oder Trennen von Netzkabeln und das Ein- und Ausschalten des Lichts.</li> <li>·Kleben Sie Wandschalter ab, um zu verhindern, dass sie ein- oder ausgeschaltet werden.</li> <li>·Nur benutzen oder Graco Airless-Farbschläuche.</li> <li>·Bodenspritze, Gegenstände, die besprüht werden, und Farb-/Lösungsmittleimer.</li> <li>·Halten Sie das Metallteil der Waffe fest Beim Auslösen in den Eimer fest an die Seite eines geerdeten Metalleimers halten .</li> <li>·Verwenden Sie 1,1,1 nicht hydroelektrisch . Methylenechlorid andere halogenierte Kohlenwasserstofflösungsmittel oder Flüssigkeiten, die solche Lösungsmittel enthalten, in dieser Pistole oder anderem unter Druck stehenden Aluminium Ausrüstung. Eine solche Verwendung könnte zu einer chemischen Reaktion und einer Explosion führen .</li> </ul>

	<p><b>GEFAHR DURCH FLÜSSIGKEITSEINSPRITZUNG</b> Durch Hochdruckspritzer oder Undichtigkeiten kann Flüssigkeit in den Körper gelangen. Wenn Hochdruckflüssigkeit Sie durchdringt Haut, So könnte die Verletzung aussehen Wir haben einen Schnitt, aber es ist eine schwere Wunde. Suchen Sie sofort einen Arzt auf . Um Injektionen vorzubeugen</p> <ul style="list-style-type: none"> <li>· Stellen Sie die Abzugssicherung der Pistole immer in die Position SICHERHEIT EIN, wenn Sie nicht sprühen.</li> <li>· Entlasten Sie immer den Druck, bevor Sie prüfen oder Lecks reparieren und wenn Sie mit dem Spritzen aufhören.</li> <li>· Verwenden Sie niemals Komponenten, die unter dem maximalen Arbeitsdruck des Systems liegen.</li> </ul> <p>Sicher.</p> <ul style="list-style-type: none"> <li>· Erlauben Sie Kindern niemals, diese Waffe zu benutzen.</li> <li>· Richten Sie Ihre Waffe niemals auf sich selbst oder andere</li> </ul>
	<p><b>GEFAHR VON FLÜSSIGKEITSPRITZEN</b></p> <p>Um beim Spritzen ein Spritzen der Flüssigkeit zu vermeiden, stellen Sie sicher, dass die Spritzpistole mit der richtigen Dichtung für die zu spritzende Flüssigkeit montiert ist. Siehe Installieren der Spitze.</p> <p><b>RÜCKSTOßGEFAHR :</b></p> <p>Machen Sie sich bereit. Die Waffe kann beim Auslösen zurückschlagen.</p>

· Versprühen Sie keine brennbaren oder brennbaren Materialien in der Nähe einer offenen Flamme. Kontrollleuchten oder Quellen der Zündung, wie z. B. heiß Objekte, Zigaretten, Motoren, Elektrogeräte und Elektrogeräte. Vermeiden Sie Funkenbildung beim Anschließen und Trennen von Netzkabeln .

· Für Geräte, die ausschließlich zur Verwendung mit Materialien auf Wasser- oder Lösungsbenzinbasis mit einem Aluminium- Flammpunkt von 38 °C (100 °F) vorgesehen sind. Nicht mit Flüssigkeiten sprühen oder reinigen, deren Flammpunkt unter 38 °C (100 °F) liegt ). Flammpunkt ist die Temperatur, die eine Flüssigkeit erreichen kann genügend Dampf produzieren, um sich zu entzünden.

· Seien Sie äußerst vorsichtig, wenn Sie Materialien mit einem Flammpunkt unter 38 °C (100 °F) verwenden. Verweisen Sie im Handbuch Ihrer Pumpe nach,

ob diese Materialien versprüht werden können.

·Durch das Gerät fließende Farbe oder Lösungsmittel können zu statischer Elektrizität führen. Durch statische Elektrizität besteht Brand- oder Explosionsgefahr, wenn Farb- oder Lösungsmitteldämpfe vorhanden sind . Alle Teile des Sprühsystems, einschließlich der Pumpe, Schlauchleitung, Spritzpistole und Gegenstände im und um den Spritzbereich müssen ordnungsgemäß geerdet sein, um sie vor statischer Entladung und Funken zu schützen. Verwenden Sie nur vom Hersteller angegebene leitfähige oder geerdete Hochdruck-Airless -Farbspritzschläuche .

·Stellen Sie sicher, dass alle Behälter und Sammelsysteme geerdet sind, um statische Aufladung zu verhindern Entladung.

·Schließen Sie das Gerät an eine geerdete Steckdose an und verwenden Sie geerdete Verlängerungskabel (nur Elektromodelle). Verwenden Sie keinen 3-auf-2-Adapter.

·Verwenden Sie keine Farben oder Lösungsmittel, die hydrierte Kohlenwasserstoffe enthalten. Wie Chlor, Bleichmittel gegen Schimmel, Methylenchlorid und Trichlorethan. Sie sind nicht mit Aluminium kompatibel. Kontaktieren Sie den Beschichtungslieferanten bezüglich der Kompatibilität des Materials mit Aluminium.

·Sprühbereich gut belüften. Sorgen Sie dafür, dass ausreichend Frischluft durch den Bereich strömt , um die Luft im Sprühbereich frei von der Ansammlung brennbarer Dämpfe zu halten. Bewahren Sie die Pumpenbaugruppe in einem gut belüfteten Bereich auf. Pumpenbaugruppe nicht besprühen.

·Im Sprühbereich nicht rauchen.


Sprühbereich keine Lichtschalter, Motoren oder ähnliche funkenerzeugende Produkte .

·Halten Sie den Bereich sauber und frei von Farb- oder Lösungsmittelbehältern, Lappen und anderen brennbaren Materialien .

·Machen Sie sich mit dem Inhalt der versprühten Farbe und Lösungsmittel vertraut. Lesen Sie alle Sicherheitsdatenblätter (MSDS) und Behälteretiketten, die den Farben und Lösungsmitteln beiliegen. Befolgen Sie die Sicherheitshinweise des Lack- und Lösungsmittelherstellers.

·Platzieren Sie die Pumpe mindestens 25 Fuß (7,62 Meter) vom Sprühobjekt entfernt an einem gut belüfteten Ort (fügen Sie ggf. einen weiteren Schlauch

- hinzu). notwendig). Brennbare Dämpfe sind oft schwerer als Luft. Der Bodenbereich muss äußerst gut belüftet sein. Die Pumpe enthält lichtbogenförmige Teile, die Funken erzeugen und Dämpfe entzünden können.
- Kunststoff kann statische Funken verursachen. Hängen Sie niemals Plastik auf, um den Sprühbereich abzudecken. Verwende nicht Beim Versprühen von brennbarem Material sind Plastiktücher zu verwenden.
  - Feuerlöschgeräte müssen vorhanden und funktionsfähig sein.

	<p><b>WARNUNG: VERLETZUNG DURCH EINSPRITZUNG</b></p> <p>Der von diesem Gerät erzeugte Hochdruck-Farbstrahl kann durchdringen die Haut und das darunter liegende Gewebe, kann zu schweren Verletzungen führen Amputation. Suchen Sie sofort einen Arzt auf.</p>
--	--

- Richten Sie die Waffe nicht auf Personen oder Tiere und besprühen Sie sie nicht.
- Hände und andere Körperteile von der Entladung fernhalten. Versuchen Sie beispielsweise nicht, Leckagen mit irgendeinem Körperteil zu stoppen .
- Legen Sie NIEMALS Ihre Hand vor die Waffe. Handschuhe bieten keinen Schutz vor einer Injektionsverletzung .
- Lassen Sie den Düsenschutz beim Spritzen IMMER angebracht. Der Spitzenschutz bietet einen gewissen Schutz , dient jedoch hauptsächlich als Warnvorrichtung
- Nur eine vom Hersteller angegebene Düsenspitze verwenden.
- Seien Sie beim Reinigen und Wechseln der Düsenspitzen vorsichtig. Sollte die Düsenspitze beim Spritzen verstopfen, verriegeln Sie IMMER den Pistolenabzug, schalten Sie die Pumpe aus und lassen Sie den gesamten Druck ab, bevor Sie Wartungsarbeiten durchführen, die Spitze oder den Schutz reinigen oder die Düse wechseln. Der Druck wird durch das Abschalten des Motors nicht abgelassen. Das PRIME/SPRAY-Ventil oder das Druckentlastungsventil muss auf gedreht werden in die entsprechenden Positionen bringen, um den Systemdruck zu entlasten. Siehe DRUCKENTLASTUNG VORGEHENSWEISE im Pumpenhandbuch beschrieben.

- Lassen Sie das Gerät nicht unbeaufsichtigt unter Spannung stehen oder unter Druck stehen. Wenn das Gerät ist Bei Nichtgebrauch schalten Sie das Gerät aus und entlasten Sie den Druck gemäß den Herstellerangaben Anweisungen.
- Hochdruckspray kann Giftstoffe in den Körper injizieren und schwere Körpervletzungen verursachen . Sollte es zu einer Injektion kommen, suchen Sie sofort einen Arzt auf.
- Überprüfen Sie Schläuche und Teile auf Anzeichen von Beschädigungen. Ein Leck kann dazu führen, dass Material in die Haut gelangt. Ich inspiziere den Schlauch vor jedem Gebrauch. Ersetzen Sie beschädigte Schläuche oder Teile. Verwenden Sie ausschließlich TITAN Original-Hochdruckschläuche, um Funktionalität, Sicherheit und Langlebigkeit zu gewährleisten.
- Dieses System ist in der Lage, 3600 psi/248 Bar zu erzeugen. Verwenden Sie nur Ersatzteile bzw Zubehör, das vom Hersteller spezifiziert ist und eine Nennleistung von mindestens 3600 PSI hat. Dazu gehören Spritzdüsen, Düsenschutz, Pistolen, Verlängerungen, Armaturen und Schläuche .
- Aktivieren Sie immer die Abzugssperre, wenn Sie nicht sprühen. Stellen Sie sicher, dass die Abzugssperre ordnungsgemäß funktioniert .
- Stellen Sie sicher, dass alle Verbindungen sicher sind, bevor Sie das Gerät in Betrieb nehmen.
- Wissen, wie man das Gerät schnell stoppt und den Druck entlüftet. Machen Sie sich gründlich mit den Bedienelementen vertraut . Der Druck wird durch das Abschalten des Motors nicht abgebaut. Das PRIME/SPRAY Das Druckventil bzw. Druckentlastungsventil muss in die entsprechende Position gedreht werden, um den Systemdruck zu entlasten . Siehe DRUCKENTLASTUNGSVERFAHREN im Pumpenhandbuch .
- Entfernen Sie immer die Sprühspitze, bevor Sie das System spülen oder reinigen.

### **HINWEIS FÜR DEN ARZT:**

**möglicherweise zu einer Amputation führen kann . Es ist wichtig, die Verletzung so schnell wie möglich zu behandeln. TUN Verzögern Sie**



**die Behandlung NICHT, um die Toxizität zu untersuchen. Bei einigen Beschichtungen , die direkt in den Blutkreislauf injiziert werden, stellt die Toxizität ein Problem dar . Eine Konsultation mit einem plastischen Chirurgen oder rekonstruktiven Handchirurgen kann ratsam sein.**



**WARNUNG:**

**ALLGEMEIN Kann schwere Verletzungen oder Sachschäden verursachen**

Tragen Sie immer geeignete Handschuhe, Augenschutz, Kleidung und eine Atemschutzmaske oder Maske beim Malen.

- Nicht in der Nähe von Kindern betreiben oder sprühen. Halten Sie Kinder stets von der Ausrüstung fern.
- Überstrecken Sie sich nicht und stellen Sie sich nicht auf eine instabile Unterlage. Sorgen Sie für einen sicheren Stand und das Gleichgewicht jederzeit.
- Bleiben Sie wachsam und beobachten Sie, was Sie tun.
- Betreiben Sie das Gerät nicht, wenn Sie müde sind oder unter dem Einfluss von Drogen oder Alkohol stehen.
- Den Schlauch nicht knicken oder zu stark biegen. Airless-Schläuche können durch Abnutzung und Knicken undicht werden und Missbrauch. Durch ein Leck kann Material in die Haut gelangen.
- Setzen Sie den Schlauch keinen Temperaturen oder Drücken aus, die über den angegebenen Werten liegen Hersteller.
- Verwenden Sie den Schlauch nicht als Stützelement zum Ziehen oder Heben des Geräts. Verwenden Sie zum Spülen der Ausrüstung den geringstmöglichen Druck.
- Befolgen Sie alle entsprechenden lokalen, staatlichen und nationalen Vorschriften für Belüftung und Brandschutz Prävention und Betrieb.
- Überprüfen Sie vor jedem Gebrauch alle Schläuche auf Schnitte, Undichtigkeiten, Abrieb oder Ausbeulungen der Hülle. Überprüfen Sie die Kupplungen auf Schäden oder Bewegungen . Ersetzen Sie gegebenenfalls

den Schlauch sofort Bedingungen vorliegen. Reparieren Sie niemals einen Farbschlauch. Durch einen leitfähigen Hochdruckschlauch ersetzen .

- An windigen Tagen nicht im Freien sprühen . Ziehen Sie immer den Netzstecker aus der Steckdose, bevor Sie an Geräten arbeiten (nur Elektromodelle).

### **Anweisungen zur Bedienung**

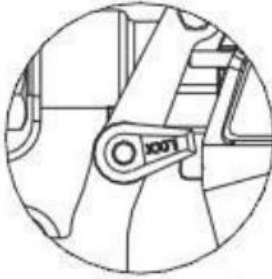


### **Verwenden der Pistolenabzugssperre**

Aktivieren Sie immer die Abzugssperre der Waffe, wenn die Waffe nach jedem Gebrauch nicht verwendet wird (1), und bewahren Sie sie an einem trockenen Ort auf. Lassen Sie die Waffe oder ihre Teile nicht im Wasser liegen Spannung.

1. Um den Abzug zu verriegeln, drehen Sie die Abzugssperre bis zum Anschlag nach hinten (2) oder Lösungsmittel
2. Um den Abzug zu entriegeln, drehen Sie die Abzugssperre nach vorne, bis sie vertikal ist (3) .





**Abzug verriegelt (Pistole sprüht nicht)      Abzug entriegelt (Pistole sprüht).**

### **Aufstellen**



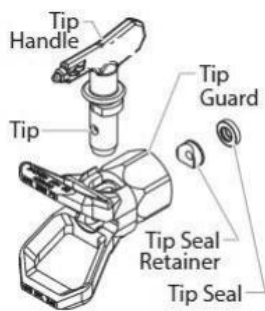
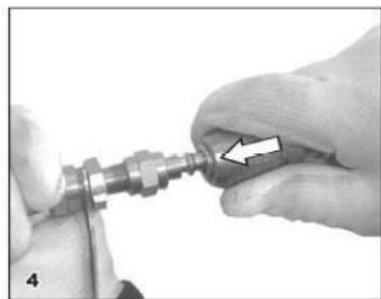
**Versuchen Sie niemals, die Pistole, die Düse oder den Düsenschutz ohne diese zusammenzubauen, zu wechseln oder zu reinigen. Zuerst den Druck aus dem Sprühsystem entlasten. Folgen Sie der Anleitung „Druckentlastung“. Vorgehensweise“ im Handbuch des Spritzgeräts.**



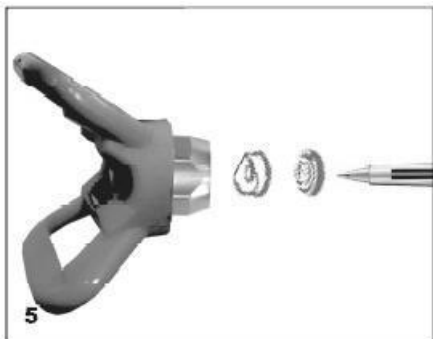
**Als zusätzlichen Schutz vor Injektionen verwenden Sie stets einen Spitzenschutz. Beachten Sie, dass der Schutz allein die Injektion nicht verhindern kann. Spitzenschutz niemals abschneiden! Aktivieren Sie immer die Abzugssperre der Pistole, wenn die Waffe nicht verwendet wird. Lesen Sie vor der Wartung von Geräten die Bedienungsanleitungen durch und befolgen Sie alle Warnhinweise.**

25. Stellen Sie das Sprühgerät auf. Beachten Sie die Anweisungen im Handbuch des Spritzgeräts.

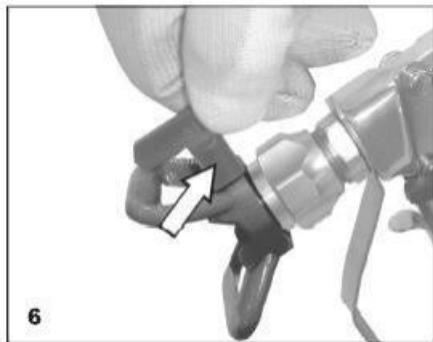
2. Befestigen Sie einen geerdeten Airless-Sprühschlauch am Materialeinlass der Pistole. Mit zwei Schraubenschlüsseln (einem an der Pistole und einem am Schlauch) fest anziehen (4).



26. Nehmen Sie die Düse und den Spitzenschutz von der Pistole ab und starten Sie das Spritzgerät. Spülen und bereiten Sie das Sprühsystem gemäß der Bedienungsanleitung des Sprühgeräts vor. Überprüfen Sie das Sprühsystem, um sicherzustellen, dass alle Anschlüsse fest sitzen und keine Lecks vorhanden sind.
27. Führen Sie das „Druckentlastungsverfahren“ durch, das in der Bedienungsanleitung des Spritzgeräts beschrieben ist.
28. Führen Sie mithilfe der Pfeilspitze am Spitzengriff die Spitzendichtung und den Spitzendichtungshalter in den Rücken des Spitzenschutzes (5) ein. Drücken Sie zur endgültigen Einstellung hinein.



29. Führen Sie die Spitze in den Schlitz am Spitzenschutz (6) ein.



30. Schrauben Sie den Spitzenschutz auf die Pistole. Positionieren Sie den Düsenschutz in der gewünschten Sprühposition und ziehen Sie ihn fest an.  
beim Sprühen in Vorwärtsrichtung zeigen .

## **Betrieb**

17. Stellen Sie sicher, dass der Pfeil am Spitzengriff zum Sprühen in die Vorwärtsrichtung zeigt.

18. Starten Sie das Spritzgerät. Beachten Sie die Anweisungen im Handbuch des Spritzgeräts.

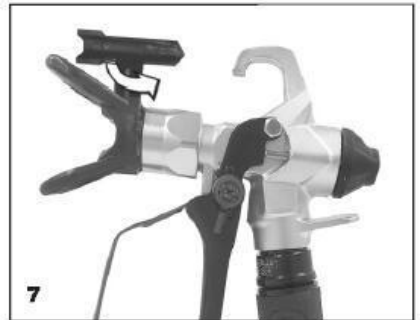
19. Stellen Sie den Flüssigkeitsdruck am Sprühgerät ein, bis das Spray vollständig zerstäubt ist. Sprühen Sie immer mit dem niedrigsten Druck, der erforderlich ist, um die gewünschten Ergebnisse zu erzielen. HINWEIS: Die Sprühspitze bestimmt die Größe des Sprühmusters und der Abdeckung. Wenn eine größere Abdeckung erforderlich ist, verwenden Sie eine größere Spitze, anstatt den Flüssigkeitsdruck zu erhöhen.

20. Zum Reinigen einer verstopften Spitze  
M. Drehen Sie die Düse 1 um 80°, sodass der Pfeil am Spitzengriff entgegen der Sprührichtung zeigt .(7)

N. Betätigen Sie die Pistole einmal, damit der Druck ausblasen kann verstopfen.

Wichtig : Betätigen Sie den Abzug niemals mehr als einmal einmal mit der Spitze in umgekehrter Position.

O. Setzen Sie diesen Vorgang fort, bis die Spitze frei von Verstopfungen ist



### **Einen Tipp ändern**

Die Spitzen können einfach entfernt und ausgetauscht werden, ohne dass die Pistole zerlegt werden muss.

**den Düsenschutz zu wechseln oder zu reinigen, ohne zuvor die „ Druckentlastung “ durchzuführen .**

13. Führen Sie das „Druckentlastungsverfahren“ durch, das im Handbuch des Spritzgeräts beschrieben ist .

14. Entfernen Sie die Spitze aus dem Schlitz am



Spitzenschutz.

15. Setzen Sie die neue Spitze in den Schlitz am Spitzenschutz ein. Der Pfeil am Spitzengriff sollte nach vorne zeigen.

### **Entfernen der Dichtung und der Spitzendichtung**

9. Entfernen Sie die Düse und den Düsenschutz von der Spritzpistole.

10. Entfernen Sie die Dichtung und die Spitzendichtung von der Rückseite des Spitzenschutzes (8).

### **Ich identifiziere Spitzengrößen**

Um Spitzengrößen zu ermitteln, verwenden Sie die folgende Formel. In diesem Beispiel wird die Spitzengröße „517“ verwendet .

Die erste Ziffer multipliziert mit zwei gibt die Größe des Sprühmusters beim Sprühen an 30 cm von der Arbeitsfläche entfernt:  $5 \times 2 = 10$  Zoll

Sprühmuster . Die zweiten beiden Ziffern geben den Durchmesser der Öffnung an der Spitze an:  $17 = 0,43$  mm (0,017 Zoll) Öffnung .

**NOTIZ: Abgenutzte Spritzdüsen wirken sich nachteilig auf das Spritzbild aus und führen zu einer verringerten Produktion , einem schlechten Finish und Materialverschwendung. Ersetzen Sie abgenutzte Spitzen sofort .**

### **Aufräumen**

Um einen störungsfreien Betrieb zu gewährleisten, ist es wichtig, die Waffe sauber zu halten. Spülen Sie die Pistole nach jedem Gebrauch aus und lagern Sie sie an einem trockenen Ort. Lassen Sie die Pistole oder ihre Teile nicht im Wasser oder in Lösungsmitteln liegen .



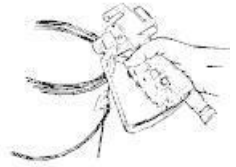
### **Spezielle Reinigungsanweisungen für die Verwendung mit brennbaren Lösungsmitteln:**

Spülen Sie die Spritzpistole immer vorzugsweise von außen und mindestens eine Schlauchlänge davon entfernt Sprühpumpe.

- Wenn Sie ausgespülte Lösungsmittel in einem 1-Gallonen-Metallbehälter sammeln, geben Sie ihn in einen leeren

5-Gallonen- Behälter und spülen Sie dann die Lösungsmittel aus.

- Der Bereich muss frei von brennbaren Dämpfen sein
- Befolgen Sie alle Reinigungsanweisungen.
- Wichtig : Spritzgerät, Schlauch und Pistole sollten gereinigt werden gründlich nach täglicher Anwendung. Andernfalls kann es zu Materialverklumpungen kommen , die die Leistung des Geräts erheblich beeinträchtigen.



Sie Lösungsbenzin oder ein anderes Lösungsmittel zum Reinigen des Spritzgeräts, des Schlauchs oder der Pistole verwenden, sprühen Sie stets mit minimalem Druck und abgenommener Spitze und Spitzenschutz . Der Aufbau statischer Elektrizität kann in Gegenwart brennbarer Dämpfe zu einem Brand oder einer Explosion führen. Halten Sie die Pistole beim Spülen fest gegen einen Metallbehälter.

## **Wartung**



Befolgen Sie alle Sicherheitsvorkehrungen, die im Abschnitt „ Sicherheitsvorkehrungen“ dieses Handbuchs beschrieben sind, bevor Sie fortfahren.

HINWEIS: Informationen zur Teileidentifizierung finden Sie im Abschnitt „Teileliste“ in diesem Handbuch.

## **Austausch/Wartung der Dichtungsbaugruppe**

Wenn Ihre Spritzpistole ausläuft oder an der Spitze spritzt, wenn Sie den Abzug, die Nadel oder den Sitz loslassen abgenutzt, beschädigt oder verschmutzt ist und ersetzt oder gereinigt werden muss.



**Versuchen Sie niemals, Wartungsarbeiten an der Spritzpistole**



## **durchzuführen**

### **ohne vorher die „Druckentlastungsprozedur“ durchzuführen.**

1. Führen Sie die „Druckentlastung“ durch und trennen Sie den Materialschlauch von der Pistole.
2. Entfernen Sie die Endkappe und die Packungsfeder von der Rückseite des Pistolenkopfes.
3. Entfernen Sie mit einem 3/8-Zoll-Steckschlüssel die Packungsdichtungsbaugruppe von der Rückseite des Pistolenkopfes.
4. Die ausgebauten Teile in dem entsprechenden Lösungsmittel einweichen und sauber wischen.
5. Untersuchen Sie die Teile auf Verschleiß oder Beschädigungen und verwenden Sie beim Zusammenbau der Pistole neue Teile.  
wenn nötig.

HINWEIS: Schmieren Sie alle Griffe und beweglichen Teile vor dem Zusammenbau mit einem Fett auf Lithiumbasis .

6. Stellen Sie sicher, dass sich die beiden Rückzugsstifte im Pistolenkopf noch in der richtigen Position befinden.
7. Setzen Sie die Packungsdichtungsbaugruppe in die Rückseite des Pistolenkopfes ein und schrauben Sie sie von Hand bis zum Anschlag ein.
8. Ziehen Sie die Packungsdichtungsbaugruppe mit einem 3/8-Zoll-Steckschlüssel fest. Ziehen Sie sie mit einem Drehmoment von 5 Nm (3,7 ft./lbs.) an.
9. Fetten Sie beide Enden der Packungsfeder ein und platzieren Sie sie über der Packungsdichtungsbaugruppe im Pistolenkopf.
10. Platzieren Sie die Endkappe über der Packungsfeder, sodass der Pilot in der Endkappe in der Packungsfeder sitzt.
11. Schieben Sie die Endkappe in Richtung Pistolenkopf und schrauben Sie sie gleichzeitig in den Pistolenkopf. Ziehen Sie die Endkappe mit einem Schraubenschlüssel fest an.
12. Führen Sie das unten beschriebene Verfahren „Anpassen der Packungsdichtungsbaugruppe“ durch.

## **Anpassen der Packungsdichtungsbaugruppe**



Um eine sichere Absperrung zu gewährleisten, ist die richtige Einstellung der Dichtungsbaugruppe von wesentlicher Bedeutung wenn der Abzug losgelassen wird.

9. Führen Sie einen 1/8-Zoll-Inbusschlüssel durch das Loch in der Mitte der Endkappe ein, bis er in der Einstellschraube der Packungsdichtung sitzt .

10. Drehen Sie die Einstellschraube der Packungsdichtung im Uhrzeigersinn, bis die Kugel an der Packungsdichtungsbaugruppe spürbar einrastet. Drehen Sie dann die Schraube um eine Vierteldrehung weiter, um die richtige Spannung zu erreichen .

### **Austauschen/Entfernen des Filters**

25. Ziehen Sie die Unterseite des Abzugsbügels nach vorne, sodass er sich von der Griffbaugruppe (9) löst.

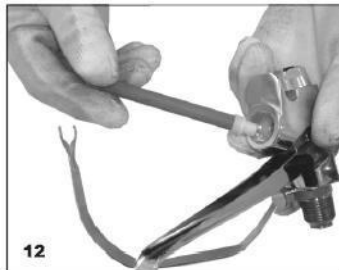
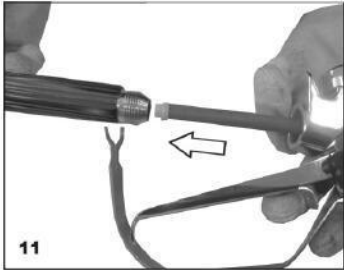
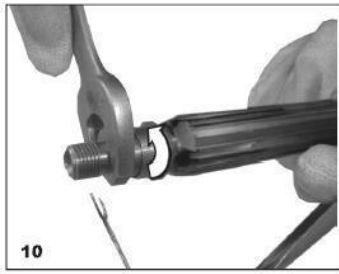
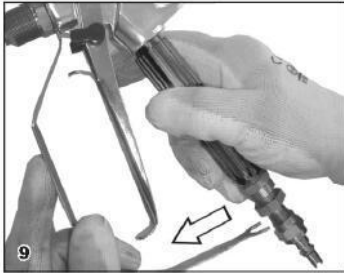
26. Lösen und entfernen Sie die Griffbaugruppe vom Pistolenkopf (10).

27. Ziehen Sie den alten Filter aus dem Pistolenkopf (11).

28. Schieben Sie den neuen Filter mit dem konischen Ende voran in den Pistolenkopf (12).

29. Stellen Sie sicher, dass alle Teile und die Griffdichtung sauber sind befindet sich im Pistolenkopf .

30. Schrauben Sie die Griffbaugruppe in den Pistolenkopf, bis sie fest sitzt. Lassen Sie den Abzugsbügel wieder auf der Griffbaugruppe einrasten.



## TECHNISCHE SPEZIFIKATIONEN

Typ:	821	Betriebsdruck	3600PSI
Art des Futters	Druck	Standarddüse	0,017 Zoll (517)
Paint-Verbindung	1/4-18NPSM	Musterbreite	254–305 mm

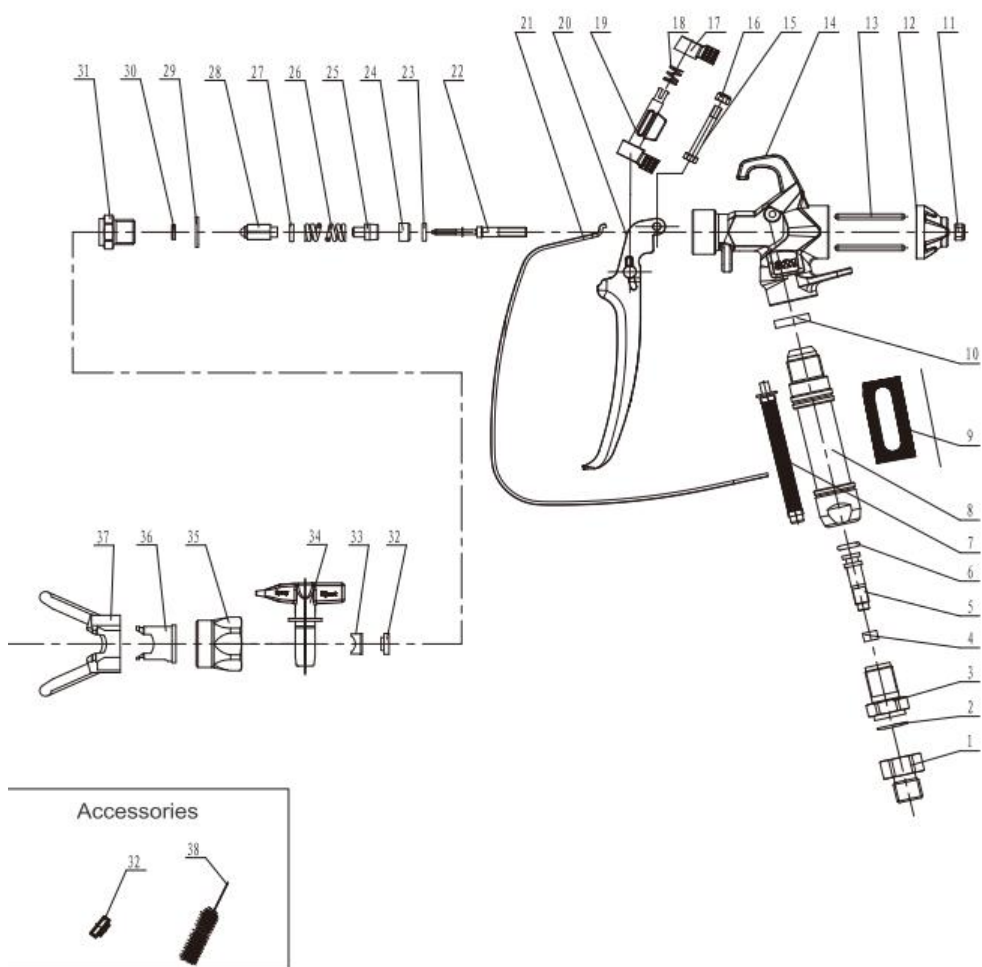
**SCFM:** Standard-Kubikfuß pro Minute (der Volumenstrom einer weitgehend auf standardisierte Temperatur- und Druckbedingungen korrigierten Temperatur).

NVV: Nationales Rohrgewinde

### **Umweltverantwortung**

Bitte recyceln Sie unerwünschte Materialien, anstatt sie als Abfall zu entsorgen. Alle Werkzeuge, Schläuche und Verpackungen sollten sortiert zum örtlichen Recyclingzentrum gebracht und auf umweltfreundliche Weise entsorgt werden.

# MONTAGEZEICHNUNG



# LISTE DER EINZELTEILE

NEIN	Beschreibung	Menge	NEIN	Beschreibung	Menge
1	Lufteinlassanschluss	1	14	Waffenkörper	1
2	Waschmaschine	1	15	Sechskantschraube	1
3	Materialeinlassverbindung	1	16	Sechskant-Sicherungsmutter	1
4	Intervallwaschanlage	1	17	Trigger-Pole-Verbindung	1
5	Materialverbindungskern	1	18	Frühling	1
6	O-Ring 6*2	1	19	Abzugsstange	1
7	Filter	1	20	Auslösen	1
8	Handhaben	1	21	Tigger Guarg	1
9	Griffscheide	1	22	Fingerhut	1
10	Waschmaschine	1	23	Kupfer Unterlegscheibe	1
11	Sechskant-Sicherungsmutter	1	24	Kauschen-Dichtungsscheibe	1
12	Sitz wechseln	1	25	Federkern	1
13	Pin wechseln	2	26	Fingerhutfeder	1

**Adresse:** Baoshanqu Shuangchenglu 803long 11hao 1602A-1609shi Shanghai  
**Importiert nach AUS:** SIHAO PTY LTD . 1 ROKEVA STREETEASTWOOD NSW  
2122 Australien

**In die USA importiert:** Sanven Technology Ltd. Suite 250, 9166 Anaheim Place,  
Rancho Cucamonga, CA 91730



Pooledas Group Ltd  
Unit 5 Albert Edward House, The Pavilions  
Preston, United Kingdom



SHUNSHUN GmbH  
Römeräcker 9 Z2021, 76351  
Linkenheim-Hochstetten, Germany

**In China hergestellt**



**VEVOR**<sup>®</sup>

**TOUGH TOOLS, HALF PRICE**

**Technisch Support- und E-Garantiezertifikat**

**[www.vevor.com/support](http://www.vevor.com/support)**



# **VEVOR<sup>®</sup>**

**TOUGH TOOLS, HALF PRICE**

Technique Assistance et certificat de garantie électronique

[www.vevor.com/support](http://www.vevor.com/support)

## **PISTOLET PULVÉRISATEUR SANS AIR**

We continue to be committed to provide you tools with competitive price.

"Save Half", "Half Price" or any other similar expressions used by us only represents an estimate of savings you might benefit from buying certain tools with us compared to the major top brands and does not necessarily mean to cover all categories of tools offered by us. You are kindly reminded to verify carefully when you are placing an order with us if you are actually saving half in comparison with the top major brands.



# VEVOR<sup>®</sup>

TOUGH TOOLS, HALF PRICE

## AIRLESS SPRAY GUN



**MODÈLE:821**









### NEED HELP? CONTACT US!



Have product questions? Need technical support? Please feel free to contact us:

**Technical Support and E-Warranty Certificate**  
**[www.vevor.com/support](http://www.vevor.com/support)**

This is the original instruction, please read all manual instructions carefully before operating. VEVOR reserves a clear interpretation of our user manual. The appearance of the product shall be subject to the product you received. Please forgive us that we won't inform you again if there are any technology or software updates on our product.

## 6. Consignes de sécurité importantes

	<p>Attention - Pour réduire le risque de blessure, l'utilisateur doit lire attentivement le manuel d'instructions. Lisez et comprenez ce manuel d'instructions avant d'utiliser ce produit. ne pas le faire peut entraîner des blessures graves, voire la mort.</p>
	<p>Avertissement - Assurez-vous de porter des protecteurs d'oreilles lorsque vous utilisez ce produit.</p>
	<p>Avertissement - Assurez-vous de porter des protections oculaires lorsque vous utilisez ce produit.</p>
	<p>Avertissement - Assurez-vous de porter des masques anti-poussière lorsque vous utilisez ce produit.</p>
   	<p>d'INCENDIE ET D'EXPLOSION Les vapeurs de solvants et de peinture peuvent s'enflammer ou exploser.</p> <p>Pour aider à prévenir un incendie ou une explosion</p> <ul style="list-style-type: none"> <li>· Utiliser à l'extérieur ou dans un endroit bien ventilé.</li> <li>· Évitez toutes les sources d'inflammation telles que l'électricité statique provenant des toiles de protection en plastique, des flammes nues telles que des pilors, des objets chauds tels que des cigarettes, et les arcs provenant de la connexion ou de la déconnexion des cordons d'alimentation et allumer ou éteindre la lumière.</li> <li>· Collez les interrupteurs muraux pour éviter qu'ils ne soient allumés ou éteints.</li> <li>· Utiliser seulement ou des tuyaux de peinture sans air Graco.</li> <li>· Pulvérisateur au sol, les objets pulvérisés et les seaux de peinture/solvant.</li> <li>· Tenir la partie métallique du pistolet fermement sur le côté d'un seau métallique mis à la terre lors du déclenchement dans le seau .</li> <li>· Ne pas utiliser 1,1,1 hydroélectriquement , le chlorure de méthylène d'autres solvants d'hydrocarbures halogénés ou fluides contenant de tels solvants dans ce pistolet ou tout autre aluminium sous pression équipement. Une telle utilisation pourrait entraîner une réaction chimique et une explosion .</li> </ul>

	<p><b>RISQUE D'INJECTION DE LIQUIDE</b> Un jet à haute pression ou des fuites peuvent injecter du liquide dans le corps. Si un liquide à haute pression vous transperce peau, la blessure pourrait ressembler à nous avons une coupe, mais c'est une blessure grave. Obtenez des soins médicaux immédiats .</p> <p>Pour aider à prévenir les injections</p> <ul style="list-style-type: none"> <li>·Toujours mettre la sécurité de la gâchette du pistolet en position SAFETY ON lorsque vous ne pulvérisez pas.</li> <li>·Toujours relâcher la pression avant de vérifier ou réparer les fuites et lorsque vous arrêtez de pulvériser.</li> <li>·N'utilisez jamais de composants dont la valeur nominale est inférieure à la pression de fonctionnement maximale du système. bien sûr.</li> <li>·Ne laissez jamais les enfants utiliser ce pistolet.</li> <li>· Ne pointez jamais votre arme sur vous-même ou sur quelqu'un d'autre.</li> </ul>
	<p><b>RISQUE D'ÉCLABOUSSURE DE LIQUIDE</b></p> <p>Pour éviter les éclaboussures de fluide pendant la pulvérisation, assurez-vous que le pistolet pulvérisateur est assemblé avec le joint approprié pour le fluide pulvérisé. Voir Installation de la pointe.</p> <p><b>RISQUE DE REcul :</b></p> <p>Préparez-vous. L'arme peut reculer lorsqu'elle est déclenchée.</p>

- Ne pulvérisez pas de matériaux inflammables ou combustibles à proximité d'une flamme nue, veilleuses ou sources d'allumage tel que chaud objets, cigarettes, les moteurs, équipements électriques et appareils électriques. Évitez de créer des étincelles lors de la connexion et de la déconnexion des cordons d'alimentation .
- Pour les unités destinées à être utilisées uniquement avec des matériaux à base d'eau ou de type essence minérale avec un point d'éclair de l'aluminium de 38°C (100°F). Ne pas pulvériser ou nettoyer avec des liquides ayant un point d'éclair inférieur à 38°C (100°F). Point d'éclair est la température à laquelle un fluide peut produire suffisamment de vapeur pour s'enflammer.
- Faites preuve d'une extrême prudence lorsque vous utilisez des matériaux dont le

point d'éclair est inférieur à 100 F (38 °C). Référez-vous au manuel de votre pompe pour déterminer si ces matériaux peuvent être pulvérisés.

· La peinture ou le solvant circulant à travers l'équipement peut provoquer de l'électricité statique. L'électricité statique crée un risque d'incendie ou d'explosion en présence de vapeurs de peinture ou de solvant. Toutes les pièces du système de pulvérisation, y compris la pompe, ensemble de tuyaux, Le pistolet pulvérisateur et les objets dans et autour de la zone de pulvérisation doivent être correctement mis à la terre pour se protéger contre les décharges statiques et les étincelles. Utilisez uniquement des tuyaux de pulvérisation de peinture sans air haute pression conducteurs ou mis à la terre spécifiés par le fabricant.

· Vérifiez que tous les conteneurs et systèmes de collecte sont mis à la terre pour éviter l'électricité statique. décharge.

· Connectez-vous à une prise mise à la terre et utilisez des rallonges mises à la terre (modèles électriques uniquement). N'utilisez pas d'adaptateur 3 vers 2.

· Ne pas utiliser de peinture ou de solvant contenant des hydrocarbures hydrogénés. Comme le chlore, agent de blanchiment contre la moisissure, chlorure de méthylène et trichloroéthane. Ils ne sont pas compatibles avec l'aluminium. Contactez le fournisseur de revêtement pour connaître la compatibilité du matériau avec aluminium.

· Gardez la zone de pulvérisation bien ventilée. Maintenir une bonne quantité d'air frais circulant dans la zone pour garder l'air dans la zone de pulvérisation exempt de toute accumulation de vapeurs inflammables. Conservez l'ensemble de la pompe dans un endroit bien ventilé. Ne pulvériser pas l'ensemble de la pompe.

· Ne pas fumer dans la zone de pulvérisation.

· Ne faites pas fonctionner les interrupteurs, les moteurs ou les produits similaires produisant des étincelles dans la zone de pulvérisation.


· Gardez la zone propre et exempte de contenants de peinture ou de solvants, de chiffons et d'autres matériaux inflammables.

· Connaître le contenu de la peinture et des solvants pulvérisés. Lisez toutes les fiches signalétiques (MSDS) et les étiquettes des contenants fournies avec les peintures et les solvants. Suivez les instructions de sécurité du fabricant de peinture et de solvant.

· Placez la pompe à au moins 25 pieds (7,62 mètres) de l'objet pulvérisé dans un endroit bien ventilé (ajoutez plus de tuyau si nécessaire). Les vapeurs

inflammables sont souvent plus lourdes que l'air. Le sol doit être extrêmement bien ventilé. La pompe contient des pièces en arc qui émettent des étincelles et peuvent enflammer les vapeurs.

- Le plastique peut provoquer des étincelles statiques. Ne suspendez jamais de plastique pour entourer la zone de pulvérisation. Ne pas utiliser toiles de protection en plastique lors de la pulvérisation de matériaux inflammables.
- Un extincteur doit être présent et fonctionnel.

	<p><b>AVERTISSEMENT : BLESSURE PAR INJECTION</b></p> <p>Un jet de peinture à haute pression produit par cet équipement peut percer la peau et les tissus sous-jacents, entraînant des blessures graves et possibles amputation. Consultez immédiatement un médecin.</p>
--	---

- Ne dirigez pas le pistolet vers ou ne vaporisez pas une personne ou un animal.
- Gardez les mains et autres parties du corps éloignées de la décharge. Par exemple, n'essayez pas d' arrêter les fuites sur n'importe quelle partie du corps.
- NE JAMAIS mettre la main devant le pistolet. Les gants n'offriront pas de protection contre une blessure par injection.
- TOUJOURS garder le protège-buse en place pendant la pulvérisation. Le protège-embout offre une certaine protection mais constitue principalement un dispositif d'avertissement.
- Utilisez uniquement un embout de buse spécifié par le fabricant.
- Faites preuve de prudence lors du nettoyage et du changement des buses. Dans le cas où la pointe de la buse se bouche pendant la pulvérisation, verrouillez TOUJOURS la gâchette du pistolet, arrêtez la pompe et relâchez toute la pression avant l'entretien, le nettoyage de la buse ou de la protection ou le changement de buse. La pression ne sera pas relâchée en éteignant le moteur. La vanne PRIME/SPRAY ou la vanne de purge sous pression doit être tournée vers ses positions appropriées pour relâcher la pression du système. Se référer à DÉCOMPRESSION PROCÉDURE décrite dans le manuel de la pompe.

- Ne laissez pas l'appareil sous tension ou sous pression sans surveillance. Lorsque l'appareil n'est pas utilisé, éteignez l'appareil et relâchez la pression conformément aux instructions du fabricant . instructions.
- Le jet à haute pression est capable d'injecter des toxines dans le corps et de provoquer des blessures corporelles graves . En cas d'injection, consultez immédiatement un médecin.
- Vérifiez les tuyaux et les pièces pour détecter tout signe de dommage, une fuite peut injecter du matériau dans la peau. J'inspecte le tuyau avant chaque utilisation. Remplacez tous les tuyaux ou pièces endommagés. Utilisez uniquement TITAN flexibles haute pression d'origine afin de garantir fonctionnalité, sécurité et durabilité.
- . Ce système est capable de produire 3600psi/ 248 Bar. Utilisez uniquement des pièces de rechange ou accessoires spécifiés par le fabricant et évalués à un minimum de 3 600 PSI. Cela comprend les buses de pulvérisation, les protections de buses, les pistolets, les rallonges, les raccords et les tuyaux .
- . Enclenchez toujours le verrouillage de la gâchette lorsque vous ne pulvérisez pas. Vérifiez que le verrouillage de la gâchette fonctionne correctement .
- . Vérifiez que toutes les connexions sont sécurisées avant d'utiliser l'appareil.
- Savoir comment arrêter l'appareil et purger rapidement la pression. Soyez parfaitement familier avec les commandes . La pression ne sera pas relâchée en éteignant le moteur. Le PRIME/SPRAY La vanne ou la vanne de purge de pression doit être tournée dans la position appropriée pour relâcher la pression du système. Reportez-vous à la PROCÉDURE DE DÉCOMPRESSION décrite dans le manuel de la pompe .
- Retirez toujours la buse de pulvérisation avant de rincer ou de nettoyer le système.

### **NOTE AU MÉDECIN :**

**L'injection dans la peau est une blessure traumatique pouvant conduire à une éventuelle amputation . Il est important de traiter la blessure le plus tôt possible. FAIRE NE PAS retarder le traitement**



**pour rechercher la toxicité. La toxicité est préoccupante avec certains revêtements injectés directement dans la circulation sanguine. Une consultation avec un chirurgien plasticien ou un chirurgien reconstructeur de la main peut être conseillée.**



**AVERTISSEMENT:**

**GÉNÉRAL Peut causer des blessures graves ou des dommages matériels**

Portez toujours des gants appropriés, des lunettes de protection, des vêtements et un respirateur ou un masque.

lors de la peinture.

- Ne pas utiliser ou vaporiser à proximité d'enfants. Gardez les enfants éloignés de l'équipement à tout moment.
- Ne vous étendez pas trop et ne vous tenez pas sur un support instable. Gardez une position assise et un équilibre efficaces de tout temps.
- Restez vigilant et surveillez ce que vous faites.
- N'utilisez pas l'appareil lorsque vous êtes fatigué ou sous l'influence de drogues ou d'alcool.
- Ne pliez pas et ne pliez pas trop le tuyau. Le tuyau sans air peut développer des fuites dues à l'usure ou au pliage. et les abus. Une fuite peut injecter de la matière dans la peau.
- N'exposez pas le tuyau à des températures ou des pressions supérieures à celles spécifiées par fabricant.
- N'utilisez pas le tuyau comme élément de force pour tirer ou soulever l'équipement. Utilisez la pression la plus basse possible pour rincer l'équipement.
- Suivez tous les codes locaux, étatiques et nationaux appropriés régissant la ventilation, les incendies prévention et exploitation.
- Avant chaque utilisation, vérifiez tous les tuyaux pour déceler toute coupure, fuite, abrasion ou renflement du couvercle. Vérifiez si les raccords sont endommagés ou bougent . Remplacez immédiatement le tuyau si l'un de ces les conditions existent. Ne réparez jamais un tuyau de peinture. Remplacez-le par un tuyau conducteur haute pression .

- Ne pas vaporiser à l'extérieur par temps venteux. Débranchez toujours le cordon de la prise avant de travailler sur l'équipement (modèles électriques uniquement).

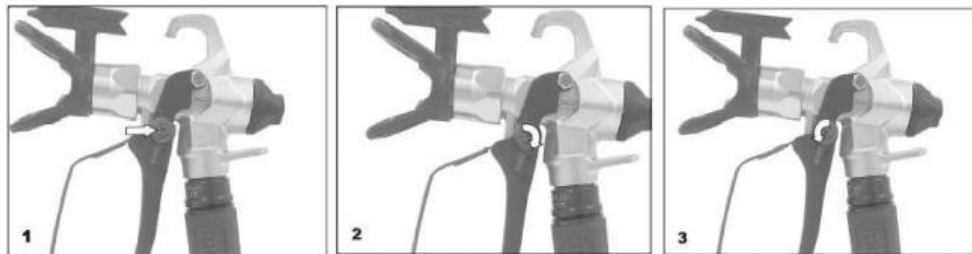
### **Mode d'emploi**

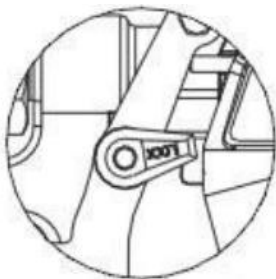


### **Utilisation du verrouillage de la gâchette du pistolet**

Enclenchez toujours le verrouillage de la gâchette du pistolet lorsque le pistolet n'est pas utilisé (1) après chaque utilisation et rangez-le dans un endroit sec. Ne laissez pas le pistolet ou l'une de ses pièces dans l'eau tension.

1. Pour verrouiller la gâchette, tournez le verrou de la gâchette vers l'arrière jusqu'à ce qu'il s'arrête (2) ou des solvants
2. Pour déverrouiller la gâchette, faites pivoter le verrou de la gâchette vers l'avant jusqu'à ce qu'il soit vertical (3) .





**Gâchette verrouillée (le pistolet ne pulvérise pas)**

**Gâchette**

**déverrouillée (le pistolet pulvérisera)**

### **Installation**



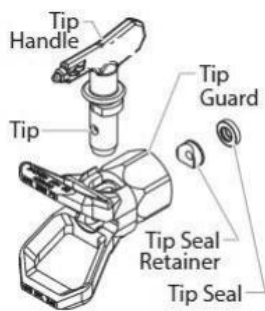
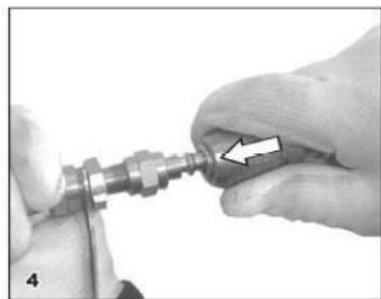
**N'essayez jamais d'assembler, de changer ou de nettoyer le pistolet, la buse ou le protège-buse sans commencez par relâcher la pression du système de pulvérisation. Suivez les instructions « Décompression Procédure" dans le manuel du pulvérisateur.**



**Utilisez toujours un protège-embout pour une protection supplémentaire contre les injections. Attention , la protection à elle seule n'empêchera pas l'injection. Ne coupez jamais la protection de pointe !**  
**Enclenchez toujours le verrouillage de la gâchette du pistolet lorsque le pistolet n'est pas utilisé. Avant de réparer l'équipement, consultez les manuels du propriétaire et suivez tous les avertissements.**

31. Installez le pulvérisateur. Reportez-vous aux instructions du manuel du pulvérisateur.

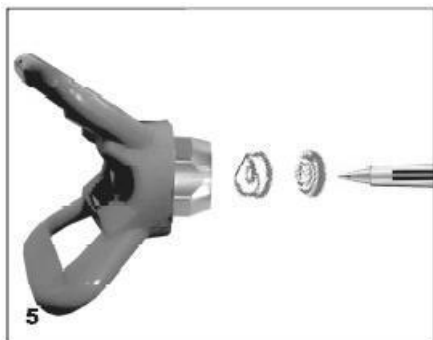
2. Fixez un tuyau de pulvérisation sans air mis à la terre à l'entrée de matériau du pistolet. À l'aide de deux clés (une sur le pistolet et une sur le tuyau), serrez fermement (4).



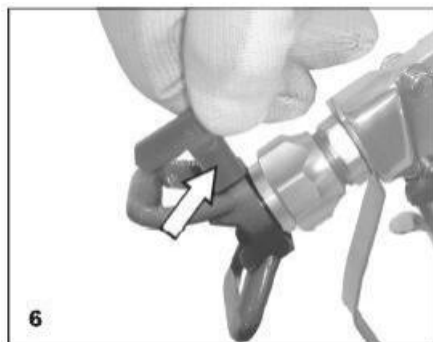
32. Avec la buse et le protège-buse retirés du pistolet, démarrez le pulvérisateur. Rincer et préparer le système de pulvérisation conformément au manuel du propriétaire du pulvérisateur. Inspectez le système de pulvérisation pour vous assurer que tous les raccords sont bien fixés et qu'il n'y a pas de fuites.

33. Effectuez la « Procédure de décompression » décrite dans le manuel du propriétaire du pulvérisateur .

34. À l'aide de la pointe de flèche sur la poignée de la pointe, insérez le joint de pointe et le dispositif de retenue du joint de pointe dans le dos du protège-pointe (5). Appuyez pour le réglage final.



35. Insérez la pointe dans la fente du protège-pointe (6).



36. Enfilez le protège-embout sur le pistolet. Positionnez le protège-buse dans la position de pulvérisation souhaitée et serrez fermement.

REMARQUE : La flèche sur la poignée de la pointe doit pointer vers l'avant pour la pulvérisation .

## Opération

21. Assurez-vous que la flèche sur la poignée de la pointe pointe vers l'avant pour la pulvérisation.

22. Démarrez le pulvérisateur. Reportez-vous aux instructions du manuel du pulvérisateur.

23. Ajustez la pression du fluide sur le pulvérisateur jusqu'à ce que le spray soit complètement atomisé. Pulvérisez toujours à la pression la plus basse nécessaire pour obtenir les résultats souhaités. REMARQUE : La buse de pulvérisation détermine la taille du motif de pulvérisation et la couverture. Lorsqu'une plus grande couverture est nécessaire, utilisez un embout plus grand au lieu d'augmenter la pression du fluide.

24. Pour dégager une pointe bouchée  
P. Faites pivoter la buse de 1 à 80° de manière à ce que la flèche sur la poignée de la buse pointe dans le sens opposé à la direction de pulvérisation.(7)

Q. Déclenchez le pistolet une fois pour que la pression puisse faire exploser le se boucher. Important : N'appuyez jamais sur la gâchette plus d'une fois à la fois. un moment avec la pointe en position inversée.

R. Continuez cette procédure jusqu'à ce que la pointe soit dégagée du bouchon.



### Changer un pourboire

Les pointes peuvent être retirées et remplacées facilement sans démonter le pistolet.

**N'essayez jamais de changer ou de nettoyer la buse ou le protège-buse sans avoir préalablement effectué la « Procédure de décompression ».**

16. Effectuez la « Procédure de décompression » décrite dans le manuel du pulvérisateur .



17. Retirez la pointe de la fente du protège-pointe.

18. Insérez la nouvelle pointe dans la fente du protège-pointe. La flèche sur la poignée de pointe doit pointer vers l'avant.

### **Retrait du joint et du joint de pointe**

11. Retirez la buse et le protège-buse du pistolet pulvérisateur.

12. Retirez le joint et le joint d'embout de l'arrière du protège-embout (8).

### **Identifier les tailles des pointes**

Pour identifier la taille des pointes, utilisez la formule suivante. Une taille de pointe « 517 » sera utilisée dans cet exemple .

Le premier chiffre multiplié par deux représente la taille du motif de pulvérisation lors de la pulvérisation À 12" (30 cm) de la surface de travail :  $5 \times 2 = \text{jet de } 10 \text{ ''}$  . Les deux derniers chiffres représentent le diamètre de l'orifice sur la pointe : 17 = orifice de 0,017 ''(0,43 mm) .

**NOTE: Des buses de pulvérisation usées affecteront négativement la forme de pulvérisation et entraîneront une production réduite , une mauvaise finition et un gaspillage de matériau. Remplacez immédiatement les pointes usées .**

### **Nettoyer**

Il est important de maintenir un pistolet propre pour garantir un fonctionnement sans problème. Rincez le pistolet après chaque utilisation et rangez-le dans un endroit sec. Ne laissez pas le pistolet ou l'une de ses pièces dans l'eau ou des solvants .

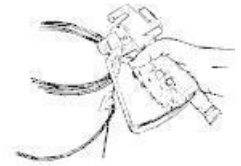


### **Instructions de nettoyage spéciales pour utilisation avec des solvants inflammables :**

Rincez toujours le pistolet de pulvérisation, de préférence à l'extérieur et à au moins une longueur de tuyau de pompe de pulvérisation.

- Si vous collectez les solvants rincés dans un récipient métallique d'un gallon, placez-le dans un récipient vide de cinq gallons , puis rincez les solvants.

- La zone doit être exempte de vapeurs inflammables
- Suivez toutes les instructions de nettoyage.
- Important : Le pulvérisateur, le tuyau et le pistolet doivent être nettoyés soigneusement après une utilisation quotidienne. Dans le cas contraire, le matériau pourrait s'agglutiner, ce qui affecterait sérieusement les performances de l'unité.



Pulvérisez toujours à une pression minimale avec la buse et le protège-buse retirés lorsque vous utilisez de l'essence minérale ou tout autre solvant pour nettoyer le pulvérisateur, le tuyau ou le pistolet . L'accumulation d'électricité statique peut provoquer un incendie ou une explosion en présence de vapeurs inflammables . Tenez fermement le pistolet contre un récipient métallique pendant le rinçage.

## **Entretien**



Suivez toutes les précautions de sécurité décrites dans la section Précautions de sécurité de ce manuel avant de continuer.  
REMARQUE : Reportez-vous à la section Liste des pièces de ce manuel pour l'identification des pièces.

## **Remplacement/entretien de l'ensemble de joint**

Si votre pistolet fuit ou crache au niveau de la pointe lorsque vous relâchez la gâchette, l'aiguille ou le siège est usé, endommagé ou sale et doit être remplacé ou nettoyé.



**N'essayez jamais d'effectuer un entretien sur le pistolet pulvérisateur sans effectuer au préalable la « Procédure de décompression ».**

1. Effectuez la « Procédure de décompression » et débranchez le flexible



produit du pistolet.

2. Retirez le capuchon d'extrémité et le ressort de garniture de l'arrière de la tête du pistolet.

3. À l'aide d'une douille de 3/8", retirez l'ensemble de joint d'étanchéité de l'arrière de la tête du pistolet.

4. Trempez les pièces retirées dans le solvant approprié et essuyez-les.

5. Inspectez les pièces pour déceler toute usure ou tout dommage et utilisez des pièces neuves lors du remontage du pistolet.

quand c'est nécessaire.

REMARQUE : Lubrifiez tous les crochets et pièces mobiles avant le remontage avec un graisse à base de lithium .

6. Assurez-vous que les deux broches du rétracteur à l'intérieur de la tête du pistolet sont toujours dans la bonne position7. Insérez l'ensemble de joint d'étanchéité à l'arrière de la tête du pistolet et vissez-le à la main jusqu'à ce qu'il s'arrête.

8. À l'aide d'une douille de 3/8", serrez l'ensemble de joint d'étanchéité. Serrez à 5 Nm (3,7 ft./lbs.)

9. Graissez les deux extrémités du ressort de garniture et placez-le sur l'ensemble de joint d'étanchéité dans la tête du pistolet.

10. Placez le capuchon d'extrémité sur le ressort de garniture de sorte que le pilote à l'intérieur du capuchon d'extrémité repose à l'intérieur du ressort de garniture.

11. Poussez le capuchon d'extrémité vers la tête du pistolet tout en l'enfilant dans la tête du pistolet. À l'aide d'une clé , serrez fermement le capuchon d'extrémité.12. Effectuez la procédure « Ajustement de l'ensemble de joint d'étanchéité » décrite ci-dessous.

### **Ajustement de l' ensemble de joint d'étanchéité**



Un réglage correct de l'ensemble d'étanchéité est essentiel pour garantir une fermeture positive. lorsque la gâchette est relâchée.

11. Insérez une clé hexagonale de 1/8" dans le trou au centre du

capuchon d'extrémité jusqu'à ce qu'elle s'insère à l'intérieur de la vis de réglage du joint d'étanchéité.

12. Tournez la vis de réglage du joint d'étanchéité dans le sens des aiguilles d'une montre jusqu'à ce que la bille sur l'ensemble du joint d'étanchéité soit sentie en position. Ensuite, tournez la vis d'1/4 de tour supplémentaire pour obtenir une tension adéquate .

### **Remplacement/retrait du filtre**

31. Tirez le bas du pontet vers l'avant pour qu'il se détache de l'ensemble poignée (9).

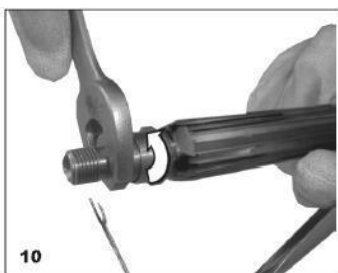
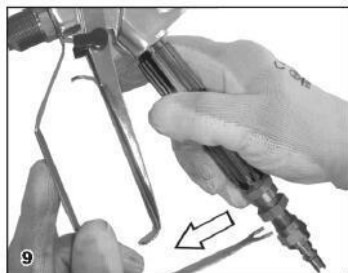
32. Desserrez et retirez l'ensemble de poignée de la tête du pistolet (10).

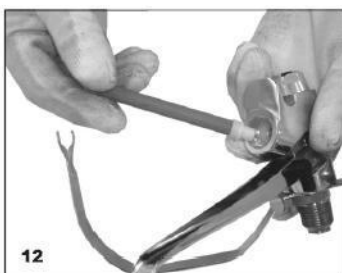
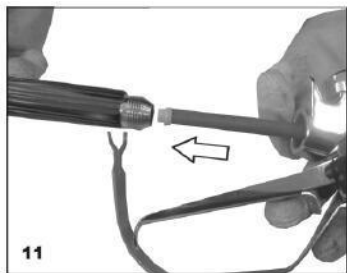
33. Retirez l'ancien filtre de la tête du pistolet (11).

34. Faites glisser le nouveau filtre, extrémité conique en premier, dans la tête du pistolet (12).

35. Assurez-vous que toutes les pièces sont propres et que le joint de la poignée est en position à l'intérieur de la tête du pistolet .

36. Vissez l'ensemble de poignée dans la tête du pistolet jusqu'à ce qu'il soit sécurisé.7. Remettez le pontet sur l'ensemble de poignée.





## SPÉCIFICATIONS TECHNIQUES

Taper:	821	Pression de fonctionnement	3600PSI
Type d'aliment	Pression	Buse standard	0,017"(517)
Connexion de peinture	1/4-18NPSM	Largeur du motif	254-305mm

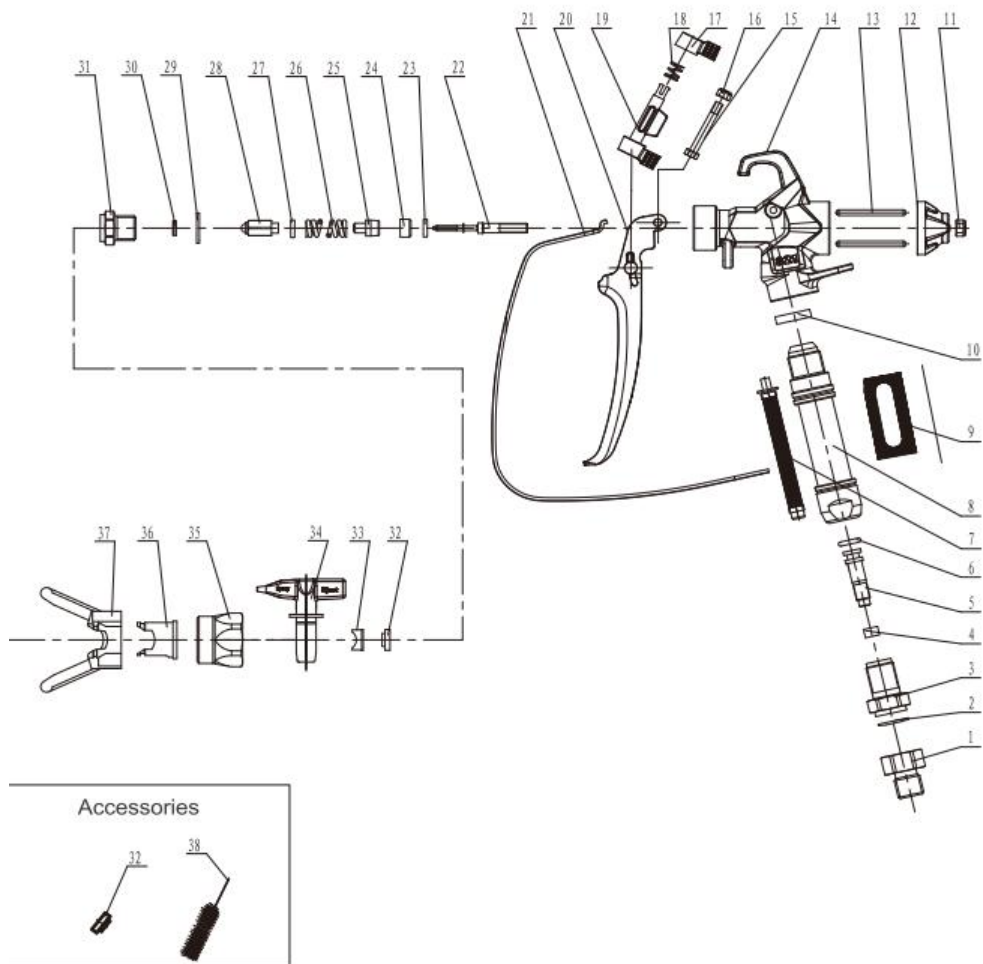
**SCFM** : Standard Cube Feet per Minute (le débit volumétrique d'un flux corrigé aux conditions standardisées de température et de pression).

TNP : Fil de tuyau national

### Responsabilités environnementales

Veillez recycler les matériaux indésirables au lieu de les jeter comme déchets. Tous les outils, tuyaux et emballages doivent être triés, apportés au centre de recyclage local et éliminés de manière respectueuse de l'environnement.

## DESSIN D'ASSEMBLAGE



## LISTE DES PIECES

Non	Description	Quantité	Non	Description	Quantité	Non	Description	Quantité
1	Connecteur d'entrée d'air	1	14	Corps de pistolet	1	27	Rondelle de tête de dé à coudre	1
2	Machine à laver	1	15	Boulon à tête hexagonale	1	28	Ensemble de tête de dé à coudre	1
3	Joint d'entrée de matériau	1	16	Contre-écrou hexagonal	1	29	Rondelle de bouchon	1
4	Rondelle à intervalles	1	17	Joint de poteau de déclenchement	1	30	Insertion de fiche	1
5	Noyau de connexion matérielle	1	18	Printemps	1	31	Siège de bouchon	1
6	Joint torique 6*2	1	19	Pôle de déclenchement	1	32	Bouchon en caoutchouc	1
7	Filtre	1	20	Déclenchement	1	33	Bouchon de buse	1
8	Poignée	1	21	Tigre Guarg	1	34	Assemblage de pointe réversible	1
9	Gaine de poignée	1	22	Dé	1	35	Noix	1
dix	Machine à laver	1	23	Rondelle en cuivre	1	36	Siège de pointe	1
11	Contre-écrou hexagonal	1	24	Rondelle d'étanchéité pour dé à coudre	1	37	Garde-pointe	1
12	Siège de	1	25	Noyau de	1	32	Bouchon en	1

	commutation			ressort			caoutchouc	
13	Broche de commutation	2	26	Ressort de dé à coudre	1	38	Brosse	1

**Adresse** : Baoshanqu Shuangchenglu 803long 11hao 1602A-1609shi Shanghai  
**Importé en Australie** : SIHAO PTY LTD . 1 ROKEVA STREETASTWOOD NSW  
2122 Australie

**Importé aux États-Unis** : Sanven Technology Ltd. Suite 250, 9166 Anaheim  
Place, Rancho Cucamonga, CA 91730



Pooledas Group Ltd  
Unit 5 Albert Edward House, The Pavilions  
Preston, United Kingdom



SHUNSHUN GmbH  
Römeräcker 9 Z2021, 76351  
Linkenheim-Hochstetten, Germany

**Fabriqué en Chine**







**VEVOR**<sup>®</sup>

**TOUGH TOOLS, HALF PRICE**

**Technique Assistance et certificat de garantie électronique**

**[www.vevor.com/support](http://www.vevor.com/support)**

# **VEVOR<sup>®</sup>**

**TOUGH TOOLS, HALF PRICE**

Technisch Ondersteuning en e-garantiecertificaat [www.vevor.com/support](http://www.vevor.com/support)

## **LUCHTLOOS SPUITPISTOOL**

We continue to be committed to provide you tools with competitive price.

"Save Half", "Half Price" or any other similar expressions used by us only represents an estimate of savings you might benefit from buying certain tools with us compared to the major top brands and does not necessarily mean to cover all categories of tools offered by us. You are kindly reminded to verify carefully when you are placing an order with us if you are actually saving half in comparison with the top major brands.

# VEVOR<sup>®</sup>

TOUGH TOOLS, HALF PRICE

## AIRLESS SPRAY GUN



**MODEL:821**








### NEED HELP? CONTACT US!



Have product questions? Need technical support? Please feel free to contact us:

**Technical Support and E-Warranty Certificate**  
**[www.vevor.com/support](http://www.vevor.com/support)**

This is the original instruction, please read all manual instructions carefully before operating. VEVOR reserves a clear interpretation of our user manual. The appearance of the product shall be subject to the product you received. Please forgive us that we won't inform you again if there are any technology or software updates on our product.

## 7. Belangrijke veiligheidsinstructies

	<p>Waarschuwing - Om het risico op letsel te verminderen, moet de gebruiker de handleiding zorgvuldig lezen . Lees en begrijp deze handleiding voordat u dit product gebruikt. Als u dit niet doet, kan dit leiden tot ernstig letsel of de dood.</p>
	<p>Waarschuwing- Zorg ervoor dat u gehoorbeschermers draagt wanneer u dit product gebruikt.</p>
	<p>Waarschuwing- Zorg ervoor dat u oogbeschermers draagt wanneer u dit product gebruikt.</p>
	<p>Waarschuwing- Zorg ervoor dat u stofmaskers draagt wanneer u dit product gebruikt.</p>
   	<p><b>BRAND- EN EXPLOESIE</b>gevaar Oplosmiddel- en verfdampen kunnen ontbranden of exploderen</p> <p>Om brand of explosie te helpen voorkomen</p> <ul style="list-style-type: none"> <li>·Gebruik buiten of in een goed geventileerde ruimte.</li> <li>·Vermijd alle ontstekingsbronnen zoals statische elektriciteit van plastic handdoeken, open vuur zoals pilorlichten, hete voorwerpen zoals sigaretten, en bogen bij het aansluiten of loskoppelen van netsnoeren</li> <li>en het in- of uitschakelen van lichtsakelaars.</li> <li>Plak muurschakelaars vast om te voorkomen dat ze worden in- of uitgeschakeld.</li> <li>·Gebruik alleen of airless verfslangen van Graco.</li> <li>·Grondsput, voorwerpen die worden gespoten en verf-/oplosmiddelemmers.</li> <li>· Houd het metalen deel van het pistool vast stevig tegen de zijkant van een gearde metalen emmer wanneer u hem in de emmer activeert .</li> </ul> <p>Hydro-elektrisch niet , dichloormethaan andere gehalogeneerde koolwaterstofoplosmiddelen of vloeistoffen die dergelijke oplosmiddelen in dit pistool bevatten, of enig ander aluminium onder druk</p> <p>apparatuur. Dergelijk gebruik kan leiden tot een chemische reactie en een explosie .</p>

	<p><b>GEVAAR VOOR INJECTIE VAN VLOEISTOFFEN</b></p> <p>Hogedrukspuiten of lekkages kunnen vloeistof in het lichaam injecteren. Als vloeistof onder hoge druk u doordringt huid, de blessure eruit zou kunnen zien ons een snee, maar het is een ernstige wond. Roep onmiddellijk medische hulp in .</p> <p>Om injectie te helpen voorkomen</p> <ul style="list-style-type: none"> <li>· Zet de trekker van het pistool altijd in de <b>VEILIGHEID AAN</b>-positie wanneer u niet spuit.</li> <li>· Ontlast altijd de druk voordat u de of controleert repareer lekken en wanneer u stopt met spuiten.</li> <li>· Gebruik nooit onderdelen die lager zijn beoordeeld dan de maximale werkdruk van het systeem</li> </ul> <p>Zeker.</p> <ul style="list-style-type: none"> <li>· Laat nooit toe dat kinderen dit pistool gebruiken.</li> <li>· Richt nooit een pistool op uzelf of iemand anders</li> </ul>
	<p><b>GEVAAR VOOR SPATTERUG</b></p> <p>Om terugspatten van vloeistof tijdens het spuiten te voorkomen, moet u ervoor zorgen dat het spuitpistool is gemonteerd met de juiste pakking voor de vloeistof die wordt gespoten. Zie De tip installeren.</p> <p><b>TERUGSLAGGEVAAR :</b></p> <p>Zet je schrap. Het pistool kan terugdeinzen als de trekker wordt geactiveerd.</p>

· Spuit geen ontvlambare of brandbare materialen in de buurt van open vuur, waakvlammen of bronnen van ontsteking, zoals heet voorwerpen, sigaretten, motoren, elektrische apparatuur en elektrische apparaten. Voorkom dat er vonken ontstaan bij het aansluiten en loskoppelen van netsnoeren .


· Voor apparaten die uitsluitend bedoeld zijn voor gebruik met materialen op waterbasis of terpentine-achtige materialen met een aluminium vlammpunt van 38°C (100°F)— Niet spuiten of reinigen met vloeistoffen met een vlammpunt van minder dan 38°C (100°F). ). Vlammpunt is de temperatuur waarbij een vloeistof kan voldoende damp produceren om te ontbranden.

· Wees uiterst voorzichtig bij het gebruik van materialen met een vlammpunt lager dan 38°C (100°F). Refereren Raadpleeg de handleiding van uw pomp om te

bepalen of deze materialen kunnen worden gespoten.

- Verf of oplosmiddel dat door de apparatuur stroomt, kan statische elektriciteit veroorzaken. Statische elektriciteit creëert een risico op brand of explosie in de aanwezigheid van verf- of oplosmiddeldampen . Alle onderdelen van het spuitsysteem, inclusief de pomp, slang montage, spuitpistool en voorwerpen in en rond het spuitgebied moeten goed geaard zijn om te beschermen tegen statische ontladingen en vonken. Gebruik alleen geleidende of geaarde hogedruk airless verfspuitlangen die door de fabrikant zijn gespecificeerd.
- Controleer of alle containers en opvangsystemen geaard zijn om statische elektriciteit te voorkomen afvoer.
- Sluit aan op een geaard stopcontact en gebruik geaarde verlengsnoeren (alleen elektrische modellen). Gebruik geen 3 naar 2 adapter.
- Gebruik geen verf of oplosmiddel die gehydrogeneerde koolwaterstoffen bevat. Zoals chloor, bleekmiddel schimmeldodend, methyleenchloride en trichloorethaan. Ze zijn niet compatibel met aluminium. Neem contact op met de coatingleverancier over de compatibiliteit van het materiaal met aluminium.
- Houd de spuitruimte goed geventileerd. Zorg voor een goede toevoer van frisse lucht door het gebied om de lucht in het spuitgebied vrij te houden van ophoping van brandbare dampen. Bewaar de pompconstructie in een goed geventileerde ruimte. Spuit de pompconstructie niet.
- Rook niet in het spuitgebied.
- Bedien geen lichtsakelaars, motoren of soortgelijke producten die vonken produceren in het spuitgebied .
- Houd de ruimte schoon en vrij van verf- of oplosmiddelcontainers, voden en andere brandbare materialen .
- Ken de inhoud van de verf en oplosmiddelen die worden gespoten. Lees alle veiligheidsinformatiebladen (MSDS) en containerlabels die bij de verven en oplosmiddelen zijn geleverd. Volg de veiligheidsinstructies van de verf- en oplosmiddelfabrikant.
- Plaats de pomp op minimaal 7,62 meter afstand van het spuitobject in een goed geventileerde ruimte (voeg meer slang toe als nodig). Ontvlambare dampen zijn vaak zwaarder dan lucht. Het vloeroppervlak moet zeer goed geventileerd worden. De pomp bevat vonkvormende onderdelen die vonken afgeven en dampen kunnen doen ontbranden.

- Plastic kan statische vonken veroorzaken. Hang nooit plastic op om het spuitgebied af te sluiten. Gebruik niet plastic druppeldoeken bij het spuiten van brandbaar materiaal.
- Brandblusapparatuur moet aanwezig zijn en werken.

	<p><b>WAARSCHUWING: INJECTIELETSEL</b></p> <p>Een verfstroom onder hoge druk die door deze apparatuur wordt geproduceerd, kan doordringen de huid en onderliggende weefsels, leidend tot ernstig letsel en mogelijk amputatie. Raadpleeg onmiddellijk een arts.</p>
--	---

- Richt het pistool niet op personen of dieren en spuit er ook niet mee.
- Houd handen en andere lichaamsdelen uit de buurt van de afvoer. Probeer bijvoorbeeld geen lekkages met welk lichaamsdeel dan ook te stoppen .
- Plaats NOOIT uw hand voor het pistool. Handschoenen bieden geen bescherming tegen injectieletsel .
- Houd de tipbeschermer ALTIJD op zijn plaats tijdens het spuiten. De tipbeschermer biedt enige bescherming , maar is vooral een waarschuwingsapparaat
- Gebruik uitsluitend een door de fabrikant gespecificeerde spuitmondtip.
- Wees voorzichtig bij het reinigen en vervangen van de mondstuktips. Als de tip van het mondstuk verstopt raakt tijdens het spuiten, moet u ALTIJD de trekker van het pistool vergrendelen, de pomp uitschakelen en alle druk afdrukken voordat u onderhoud uitvoert, de tip of beschermkap schoonmaakt of de tip verwisselt. De druk wordt niet vrijgegeven door de motor uit te zetten. Het PRIME/SPRAY-ventiel of het drukontluchtingsventiel moet naar toe worden gedraaid de juiste posities om de systeemdruk te ontlasten. Zie DRUKONTLASTING PROCEDURE beschreven in de pomphandleiding.
- Laat het apparaat niet onbeheerd of onder druk staan. Wanneer de eenheid is niet in gebruik is, schakelt u het apparaat uit en ontlast u de druk in overeenstemming met de instructies van de fabrikant instructies.
- Hogedrukspuiten kunnen gifstoffen in het lichaam injecteren en ernstig lichamelijke letsel veroorzaken . In het geval dat er toch een injectie

plaatsvindt, dient u onmiddellijk medische hulp in te roepen.

· Controleer slangen en onderdelen op tekenen van schade; bij een lek kan materiaal in de huid terechtkomen. Ik inspecteer de slang vóór elk gebruik.

Vervang beschadigde slangen of onderdelen. Gebruik alleen TITAN originele hogedrukslangen om functionaliteit, veiligheid en duurzaamheid te garanderen.

. Dit systeem kan 3600 psi/248 bar produceren. Gebruik alleen vervangende onderdelen of accessoires die door de fabrikant zijn gespecificeerd en een vermogen van minimaal 3600 PSI hebben. Dit omvat spuittips, mondstukbeschermers, pistolen, verlengstukken, fittingen en slangen .

. Schakel altijd de trekkervergrendeling in als u niet aan het spuiten bent. Controleer of de trekkervergrendeling goed werkt .

. Controleer of alle aansluitingen goed vastzitten voordat u het apparaat in gebruik neemt.

· Weet hoe u het apparaat kunt stoppen en snel de druk kunt laten ontsnappen. Zorg ervoor dat u goed bekend bent met de bedieningselementen . De druk wordt niet vrijgegeven door de motor uit te zetten. De PRIME/SPRAY De klep of het drukontluchtingsventiel moet in de juiste stand worden gedraaid om de systeemdruk te ontlasten . Raadpleeg de DRUKONTLASTINGPROCEDURE beschreven in de pomphandleiding .

·Verwijder altijd de spuittip voordat u het systeem doorspoelt of reinigt.

### **OPMERKING VOOR ARTS:**

**Injectie in de huid is een traumatisch letsel dat tot mogelijke amputatie kan leiden . Het is belangrijk om de blessure zo snel mogelijk te behandelen. DOEN Stel de behandeling NIET uit om de toxiciteit te onderzoeken. Toxiciteit is een probleem bij sommige coatings die rechtstreeks in de bloedbaan worden geïnjecteerd. Overleg met een plastisch chirurg of reconstructieve handchirurg kan raadzaam zijn.**





## **WAARSCHUWING:**

### **ALGEMEEN Kan ernstig letsel of materiële schade veroorzaken**

Draag altijd geschikte handschoenen, oogbescherming, kleding en een gasmasker of masker bij het schilderen.

- Niet gebruiken of spuiten in de buurt van kinderen. Houd kinderen te allen tijde uit de buurt van de apparatuur.
- Reik niet te ver en ga niet op een onstabiele steun staan. Houd een effectieve voet en balans altijd.
- Blijf alert en kijk wat je doet.
- Bedien het apparaat niet als u vermoeid bent of onder invloed van drugs of alcohol bent.
- Zorg ervoor dat u de slang niet knikt of te ver buigt. Airless slangen kunnen gaan lekken door slijtage en knikken en misbruik. Een lek kan materiaal in de huid injecteren.
- Stel de slang niet bloot aan temperaturen of drukken die hoger zijn dan aangegeven in fabrikant.
- Gebruik de slang niet als krachtelelement om de apparatuur te trekken of op te tillen. Gebruik de laagst mogelijke druk om apparatuur door te spoelen.
- Volg alle toepasselijke lokale, provinciale en nationale codes met betrekking tot ventilatie en brand preventie en bediening.
- Controleer vóór elk gebruik alle slangen op scheuren, lekken, slijtage of uitpuilen van de afdekking. Controleer op beschadigingen of beweging van koppelingen . Vervang de slang onmiddellijk als dit het geval is omstandigheden bestaan. Repareer nooit een verfslang. Vervangen door een geleidende hogedrukslang .
- Op winderige dagen niet buiten spuiten . Haal altijd de stekker uit het stopcontact voordat u aan de apparatuur gaat werken (alleen elektrische modellen)

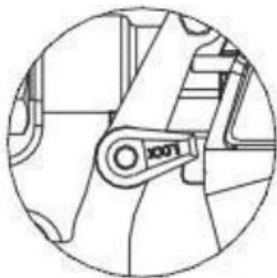
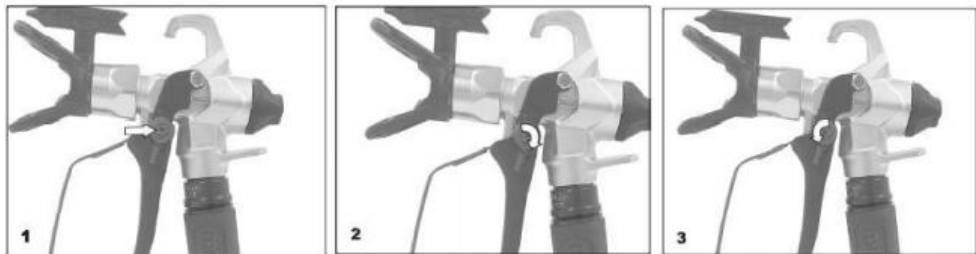
### **Instructies voor bediening**



### **Gebruik van de pistooltrekkervergrendeling**

Schakel na elk gebruik altijd de trekkervergrendeling van het pistool in als het niet in gebruik is(1) en bewaar het op een droge plaats. Laat het pistool of onderdelen ervan niet in water achter spanning.

1. Om de trekker te vergrendelen, draait u de trekkervergrendeling naar achteren totdat deze stopt (2) of oplosmiddelen
2. Om de trekker te ontgrendelen, draait u de trekkervergrendeling naar voren totdat deze verticaal staat (3) .



Trekker vergrendeld (pistool spuit niet)      Trekker ontgrendeld  
(pistool zal spuiten)

Opgericht



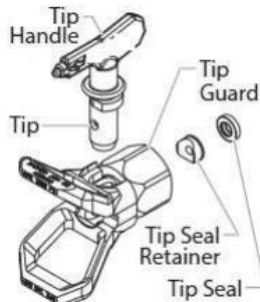
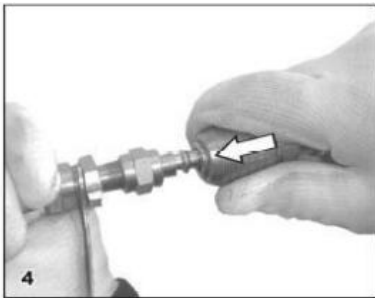
Probeer nooit het pistool, de tip of de tipbeschermer te monteren, te vervangen of schoon te maken zonder eerst de druk van het spuitsysteem ontlasten. Volg de rubriek "Drukontlasting Procedure" in de handleiding van het spuitapparaat.



Gebruik altijd een tipbeschermer voor extra bescherming tegen injectie. Houd er rekening mee dat de bewaker alleen de injectie niet kan voorkomen. Snij de tipbeschermer nooit af! Schakel de pistooltrekker altijd in als het pistool niet in gebruik is. Voordat u onderhoud aan de apparatuur uitvoert, dient u de gebruikershandleidingen te raadplegen en alle waarschuwingen op te volgen.

37. Stel de spuitmachine op. Raadpleeg de instructies in de handleiding van het spuitapparaat.

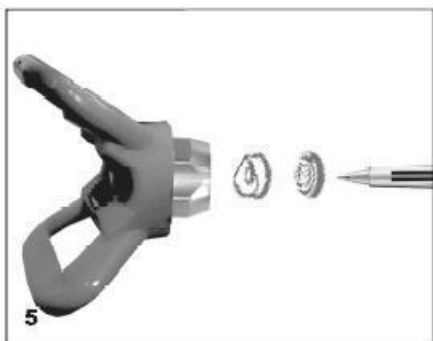
2. Sluit een gearde, airless spuitslang aan op de materiaalinjectie van het pistool. Gebruik twee sleutels (één op het pistool en één op de slang) en draai deze stevig vast (4).



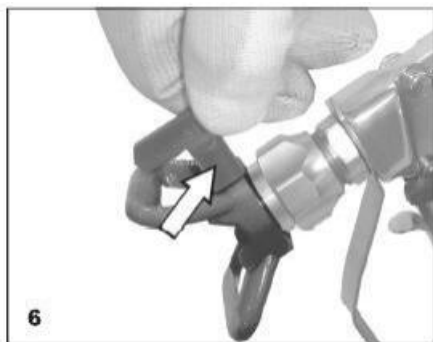
38. Start het spuitapparaat terwijl de tip en de tipbeschermer van het pistool zijn verwijderd. Spoel het spuitsysteem door en bereid het voor volgens de gebruikershandleiding van het spuitapparaat. Inspecteer het spuitsysteem om er zeker van te zijn dat alle aansluitingen goed vastzitten en dat er geen lekkages zijn.

39. Voer de "Drukontlastingsprocedure" uit, beschreven in de gebruikershandleiding van het spuitapparaat .

40. Gebruik de pijlpunt op de tiphandgreep om de tipafdichting en de tipafdichtingshouder in de rugpijn van de tipbeschermer (5) te steken. Druk deze in voor de definitieve afstelling.



41. Steek de tip in de gleuf op de tipbeschermer (6).



42. Schroef de tipbeschermer op het pistool. Plaats de tipbeschermer in de gewenste spuitpositie en draai deze stevig vast.

**OPMERKING:** De pijl op het handvat van de tip moet voorwaarts wijzen als u gaat spuiten .

## Operatie

25. Zorg ervoor dat de pijp op de tiphandgreep naar voren wijst als u gaat spuiten.

26. Start de spuit. Raadpleeg de instructies in de handleiding van het spuitapparaat.

27. Pas de vloeistofdruk op het spuitapparaat aan totdat de spray volledig verneveld is. Spuit altijd met de laagst mogelijke druk om het gewenste resultaat te bereiken. OPMERKING: De spuittip bepaalt de grootte van het spuitpatroon en de dekking. Als er meer dekking nodig is, gebruik dan een grotere tip in plaats van de vloeistofdruk te verhogen.

28. Om een verstopte tip te verwijderen

S. Draai de tip 1 80° zodat de pijp op de tiphandgreep tegengesteld aan de spuitrichting wijst .(7)

T. Trek de trekker van het pistool één keer in, zodat de druk het pistool kan blazen verstoppem. Belangrijk : Haal de trekker nooit vaker dan één keer over een keer met de punt in de omgekeerde positie.

U. Ga door met deze procedure totdat de tip vrij is van de verstopping



### Een fooi wijzigen

Tips kunnen eenvoudig worden verwijderd en vervangen zonder het pistool te demonteren.

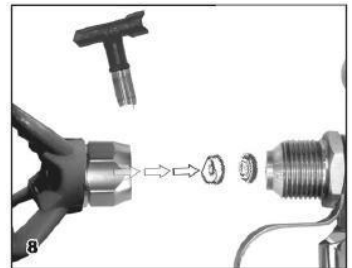
### tipbeschermer te vervangen of schoon te maken zonder eerst de

### “ Drukontlastingsprocedure ” uit te voeren.

19. Voer de "Drukontlastingsprocedure" uit, beschreven in de handleiding van het spuitapparaat .

20. Verwijder de tip uit de gleuf op de tipbeschermer.

21. Steek de nieuwe tip in de sleuf op de tipbeschermer. De pijp op de



punthandgreep moet naar voren wijzen.

### **De afdichting en tipafdichting verwijderen**

13. Verwijder de tip en tipbeschermer van het spuitpistool.

14. Verwijder de afdichting en de tipafdichting van de achterkant van de tipbeschermer (8 )

### **Ik identificeer de tipgroottes**

om de tipgroottes te identificeren. In dit voorbeeld wordt een tipgrootte "517" gebruikt .

Het eerste cijfer vermenigvuldigd met twee vertegenwoordigt de grootte van het spuitpatroon tijdens het spuiten 30 cm afstand van het werkoppervlak:  $5 \times 2 = 10$  inch spuitpatroon . De tweede twee cijfers vertegenwoordigen de diameter van de opening op de punt: 17 = opening van 0,017"(0,43 mm) .

**OPMERKING: Versleten spuittips hebben een negatief effect op het spuitpatroon en resulteren in verminderde productie , slechte afwerking en materiaalverspilling. Vervang versleten tips onmiddellijk .**

### **Opruimen**

Het onderhouden van een schoon pistool is belangrijk om een probleemloze werking te garanderen. Spoel het pistool na elk gebruik door en bewaar het op een droge plaats. Laat het pistool of onderdelen ervan niet achter in water of oplosmiddelen .

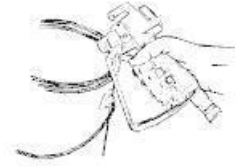


### **Speciale schoonmaakinstructies voor gebruik met ontvlambare oplosmiddelen:**

Spoel het spuitpistool altijd bij voorkeur naar buiten en minimaal één slanglengte er vanaf sproeipomp.

- Als u de gespoelde oplosmiddelen in een metalen container van 1 gallon verzamelt, plaatst u deze in een lege container van 5 gallon en spoelt u vervolgens de oplosmiddelen.

- De ruimte moet vrij zijn van brandbare dampen
- Volg alle schoonmaakinstructies.
- Belangrijk : Het spuitapparaat, de slang en het pistool moeten worden gereinigd grondig na dagelijks gebruik. Als u dit niet doet, kan het materiaal aancoeken, wat de prestaties van het apparaat ernstig beïnvloedt.



Spuit altijd met minimale druk en verwijder de tip en de tipbeschermer wanneer u terpentine of een ander oplosmiddel gebruikt om het spuitapparaat, de slang of het pistool schoon te maken . De opbouw van statische elektriciteit kan leiden tot brand of explosie in de aanwezigheid van brandbare dampen. Houd het pistool tijdens het doorspoelen stevig tegen een metalen container.

## **Onderhoud**



Volg alle veiligheidsmaatregelen zoals beschreven in het gedeelte Veiligheidsmaatregelen van deze handleiding voordat u verdergaat.

OPMERKING: Raadpleeg het onderdeel Onderdelenlijst in deze handleiding voor identificatie van de onderdelen.

## **Vervanging/onderhoud van de afdichting**

Als uw spuitpistool lekt of naar de punt spuugt wanneer u de trekker, de naald of de zitting loslaat versleten, beschadigd of vuil is en moet worden vervangen of gereinigd.



**Probeer nooit onderhoud aan het spuitpistool uit te voeren zonder eerst de “Drukontlastingsprocedure” uit te voeren.**

1. Voer de “Drukontlastingsprocedure” uit en koppel de vloeistofslang los

van het pistool.

2. Verwijder de eindkap en de pakkingveer van de achterkant van de pistoolkop.

3. Verwijder met behulp van een 3/8" dopsleutel de pakkingafdichting van de achterkant van de pistoolkop.

4. Week de verwijderde onderdelen in het juiste oplosmiddel en veeg ze schoon.

5. Inspecteer de onderdelen op slijtage of beschadiging en gebruik nieuwe onderdelen tijdens het opnieuw monteren van het pistool.

wanneer nodig.

OPMERKING: Smeer alle onderdelen en bewegende onderdelen voordat u ze weer in elkaar zet met een lithium-gebaseerd vet .

6. Zorg ervoor dat de twee terugtrekpenen in de pistoolkop nog steeds in de juiste positie zitten

7. Steek de pakkingafdichting in de achterkant van de pistoolkop en draai deze met de hand vast totdat deze niet verder kan.

8. Draai de pakkingafdichting vast met behulp van een 3/8" dopsleutel.

Draai aan tot 5 Nm (3,7 ft./lbs.)

9. Smeer beide uiteinden van de pakkingveer en plaats deze over de pakkingafdichting in de pistoolkop.

10. Plaats de eindkap over de pakkingveer, zodat de piloot in de eindkap in de pakkingveer zit .

11. Duw de eindkap richting de pistoolkop terwijl u hem in de pistoolkop draait. Draai de eindkap stevig vast met behulp van een sleutel.12 . Voer de hieronder beschreven procedure "De pakkingafdichting afstellen" uit.

### **pakkingafdichtingsconstructie afstellen**



Een juiste afstelling van de afdichtingsconstructie is essentieel om een positieve afsluiting te garanderen wanneer de trekker wordt losgelaten.

13. Steek een 1/8" inbussleutel door het gat in het midden van de eindkap totdat deze in de stelschroef van de pakkingafdichting zit.



14. Draai de stelschroef van de pakkingafdichting met de klok mee totdat u voelt dat de kogel op de pakkingafdichting op zijn plaats zit . Draai vervolgens de schroef nog een kwartslag verder voor de juiste spanning .

### **Het filter vervangen/verwijderen**

37. Trek de onderkant van de trekkerbeugel naar voren zodat deze loskomt van de handgreep (9)

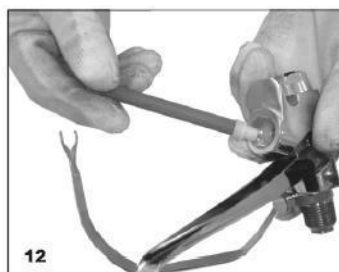
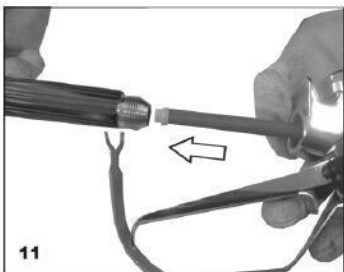
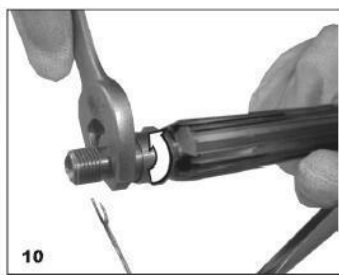
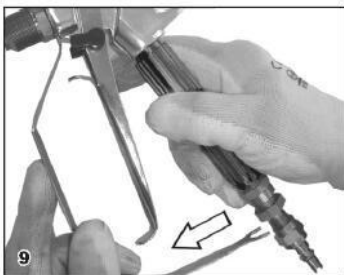
38. handgreepconstructie los en verwijder deze van de pistoolkop (10).

39. Trek het oude filter uit de pistoolkop (11).

40. Schuif het nieuwe filter, met het taps toelopende uiteinde eerst, in de pistoolkop (12).

41. Zorg ervoor dat alle onderdelen schoon zijn en dat de handgreep goed is afgedicht bevindt zich in de pistoolkop .

42. Draai de handgreep in de pistoolkop totdat deze stevig vastzit.7. Klik de trekkerbeugel terug op de handgreep.



## **TECHNISCHE SPECIFICATIES**

Type:	821	Bedrijfsdruk	3600PSI
Soort voer	Druk	Standaard mondstuk	0,017"(517)
Verfverbinding	1/4-18NPSM	Patroonbreedte	254-305 mm

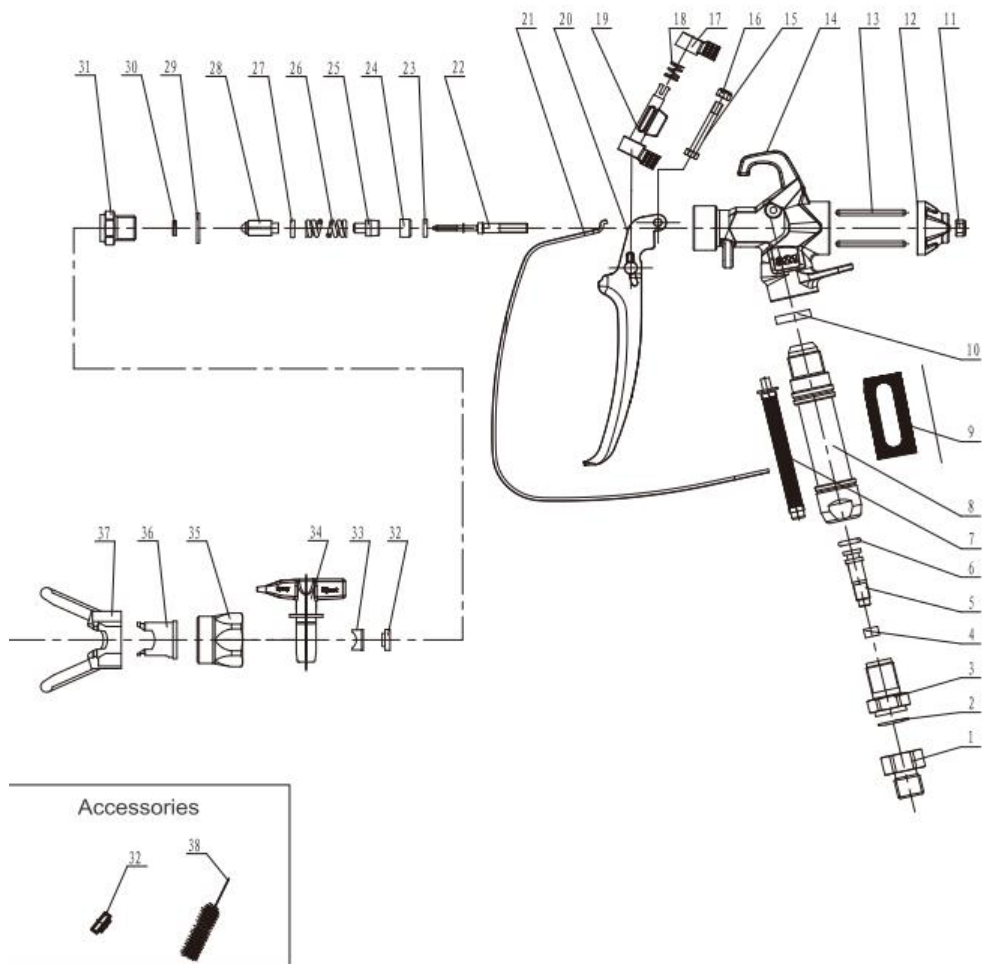
**SCFM:** Standard Cubic Feet per Minute (de volumetrische stroomsnelheid van een ver gecorrigeerde naar gestandaardiseerde omstandigheden van temperatuur en druk).

NPT: Nationale pijpdraad

### **Milieuverantwoordelijkheden**

Recycle ongewenste materialen in plaats van ze als afval weg te gooien. Alle gereedschappen, slangen en verpakkingen moeten gesorteerd naar het plaatselijke recyclingcentrum worden gebracht en op een milieuvriendelijke manier worden afgevoerd.

## **MONTAGE TEKENING**



## ONDERDELEN LIJST

Nee	Beschrijving	Aantal	Nee	Beschrijving	Aantal	Nee	Beschrijving
1	Luchtinlaatconnector	1	14	Geweer lichaam	1	27	Vingerhoed hoofdwasn
2	Wasmachine	1	15	Zeskantbout	1	28	Vingerhoed
3	Materiaal inlaatverbinding	1	16	Zeskantige borgmoer	1	29	Sluitring
4	Interval wasmachine	1	17	Trekkerpaalverbinding	1	30	Stekkerinz
5	Materiaal verbindingskern	1	18	Lente	1	31	Stekker zit
6	O-ring 6*2	1	19	Triggerpaal	1	32	Rubberen
7	Filter	1	20	Trekker	1	33	Mondstuko
8	Hendel	1	21	Teigetje Guarg	1	34	Omkeerba tipmontage
9	Handvat schede	1	22	Vingerhoed	1	35	Noot
10	Wasmachine	1	23	Koperen sluitring	1	36	Tip stoel
11	Zeskantige borgmoer	1	24	Vingerhoed afdichtring	1	37	Tipbescher
12	Wissel van stoel	1	25	Lente kern	1	32	Rubberen
13	Schakelpen	2	26	Vingerhoed lente	1	38	Borstel

**Adres:** Baoshanqu Shuangchenglu 803long 11hao 1602A-1609shi Shanghai  
**Geïmporteerd naar AUS:** SIHAO PTY LTD . 1 ROKEVA STREETEASTWOOD

NSW 2122 Australië

**Geïmporteerd naar de VS:** Sanven Technology Ltd. Suite 250, 9166 Anaheim Place, Rancho Cucamonga, CA 91730



Pooledas Group Ltd  
Unit 5 Albert Edward House, The Pavilions  
Preston, United Kingdom



SHUNSHUN GmbH  
Römeräcker 9 Z2021, 76351  
Linkenheim-Hochstetten, Germany

**Gemaakt in China**



**VEVOR**<sup>®</sup>

**TOUGH TOOLS, HALF PRICE**

**Technisch Ondersteuning en e-garantiecertificaat**

**[www.vevor.com/support](http://www.vevor.com/support)**

# **VEVOR<sup>®</sup>**

**TOUGH TOOLS, HALF PRICE**

Teknisk Support och e-garanticertifikat [www.vevor.com/support](http://www.vevor.com/support)

## **LUFTLÖS SPRAYPISTON**

We continue to be committed to provide you tools with competitive price.

"Save Half", "Half Price" or any other similar expressions used by us only represents an estimate of savings you might benefit from buying certain tools with us compared to the major top brands and does not necessarily mean to cover all categories of tools offered by us. You are kindly reminded to verify carefully when you are placing an order with us if you are actually saving half in comparison with the top major brands.



# VEVOR®

TOUGH TOOLS, HALF PRICE

## AIRLESS SPRAY GUN



**MODELL:821**










### NEED HELP? CONTACT US!



Have product questions? Need technical support? Please feel free to contact us:

**Technical Support and E-Warranty Certificate**  
**[www.vevor.com/support](http://www.vevor.com/support)**

This is the original instruction, please read all manual instructions carefully before operating. VEVOR reserves a clear interpretation of our user manual. The appearance of the product shall be subject to the product you received. Please forgive us that we won't inform you again if there are any technology or software updates on our product.


## 8. Viktiga säkerhets instruktioner

	<p>Varning - För att minska risken för skada måste användaren läsa bruksanvisningen noggrant. Läs och förstå denna bruksanvisning innan du använder denna produkt. underlåtenhet att göra det kan leda till allvarlig skada eller dödsfall.</p>
	<p>Varning- Var noga med att bära hörselskydd när du använder denna produkt.</p>
	<p>Varning- Var noga med att bära ögonskydd när du använder denna produkt.</p>
	<p>Varning- Var noga med att bära dammmasker när du använder denna produkt.</p>
   	<p><b>BRAND OCH EXPLOSIONSRISK</b> Lösningsmedel och färgångor kan antändas eller explodera</p> <p>För att förhindra brand eller explosion</p> <ul style="list-style-type: none"> <li>·Använd utomhus eller i ett väl ventilerat utrymme.</li> <li>· Undvik alla antändningskällor som statisk elektricitet från plastdukar, öppna lågor som pilorljus, heta föremål som cigaretter, och ljusbågar från anslutning eller bortkoppling av strömkablar och stänger av ljuset.</li> <li>Tejpa väggbrytare för att förhindra att de slås av eller på.</li> <li>·Använd endast eller Graco högtrycksslangar för färg.</li> <li>· Markspruta, föremål som sprutas och färg-/lösningsmedelshinkar.</li> <li>· Håll i metalldelen av pistolen stadigt vid sidan av en jordad metallhink när den utlöses i hinken .</li> <li>·Använd inte 1,1,1 vattenkraft , metylenklorid andra halogenerade kolvätelösningsmedel eller vätskor som innehåller sådana lösningsmedel i denna pistol eller något annat trycksatt aluminium Utrustning. Sådan användning kan resultera i en kemisk reaktion och en explosion .</li> </ul>
	<p><b>RISK FÖR INJEKTION AV VÄTSKA</b> Högtrycksspray eller läckor kan injicera vätska i kroppen. Om högtrycksvätska tränger igenom dig hud, skadan kan se ut oss e ett snitt, men det är ett allvarligt sår. Sök omedelbart läkarvård .</p>

	<p>För att förhindra injektion</p> <ul style="list-style-type: none"> <li>· Sätt alltid pistolens avtryckare i läget SÄKERHET PÅ när du inte sprutar.</li> <li>· Avlasta alltid trycket innan du kontrollerar eller reparera läckor och när du slutar spruta.</li> <li>· Använd aldrig komponenter som är klassade som är lägre än systemets maximala arbetstryck- Säker.</li> <li>· Tillåt aldrig barn att använda denna pistol.</li> <li>· Rikta aldrig pistolen mot dig själv eller någon annan</li> </ul>
	<p><b>RISK FÖR VÄTSKESTÄNK</b></p> <p>För att undvika stänk av vätska under sprutning, se till att sprutpistolen är monterad med rätt packning för vätskan som sprutas. Se Installera spetsen.</p> <p><b>RISK FÖR REKOIL :</b></p> <p>Sätt på dig. Pistolen kan backa när den utlöses.</p>

- Spraya inte lättantändliga eller brännbara material nära en öppen låga, pilotljus eller källor av antändning som varm föremål, cigaretter, motorer, elektrisk utrustning och elektriska apparater. Undvik att skapa gnistor vid anslutning och urkoppling av nätkablar .
- För enheter avsedda för användning med endast vattenbaserade eller mineralsprit-typ material med aluminium flampunkt på 38°C(100°F)— Spraya eller rengöra inte med vätskor som har en flampunkt lägre än 38°C(100°F) ). Flampunkt är den temperatur vid vilken en vätska kan producera tillräckligt med ånga för att antändas.
- Var extrem försiktig när du använder material med en flampunkt under 100F (38°C). Hänvisa till din pumpmanual för att avgöra om dessa material kan sprutas.
- Färg eller lösningsmedel som flödar genom utrustningen kan resultera i statisk elektricitet. Statisk elektricitet skapar risk för brand eller explosion i närvaro av färg eller lösningsmedelsångor . Alla delar av spraysystemet, inklusive pumpen, slangmontering, sprutpistol och föremål i och runt sprutområdet ska vara ordentligt jordade för att skydda mot statisk urladdning och gnistor. Använd endast ledande eller jordade högtrycksslangar för högtryckssprutsprutor som specificeras av tillverkaren.

- Verifiera att alla behållare och uppsamlingsystem är jordade för att förhindra statisk elektricitet ansvarsfrihet.
- Anslut till ett jordat uttag och använd jordade förlängningssladdar (endast elektriska modeller). Använd inte en 3 till 2-adapter.
- Använd inte färg eller lösningsmedel som innehåller hydrerade kolväten. Som klor, blekmedel, mögelmedel, metylenklorid och trikloretan. De är inte kompatibla med aluminium. Kontakta beläggningsleverantören om materialets kompatibilitet med aluminium.
- Håll sprutområdet väl ventilerat. Håll en god tillförsel av frisk luft genom området för att hålla luften inom sprayområdet fri från ansamling av brandfarliga ångor. Förvara pumpenheten i ett välventilerat utrymme. Spraya inte pumpenheten.
- Rök inte i sprayområdet.
- Använd inte ljusströmbrytare, motorer eller liknande gnistproducerande produkter i sprayområdet .
- Håll området rent och fritt från färg- eller lösningsmedelsbehållare, trasor och andra brandfarliga material .
- Känn till innehållet i färgen och lösningsmedel som sprutas. Läs alla materialsäkerhetsdatablad ( MSDS) och behållaretiketter som medföljer färgerna och lösningsmedlen. Följ färg- och lösningsmedelstillverkarens säkerhetsanvisningar.
- Placera pumpen minst 25 fot (7,62 meter) från sprayobjektet i ett välventilerat utrymme (lägg till mer slang om nödvändig). Brandfarliga ångor är ofta tyngre än luft. Golvområdet måste vara extremt väl ventilerat. Pumpen innehåller ljusbågsdelar som avger gnistor och kan antända ångor.
- Plast kan orsaka statiska gnistor. Häng aldrig plast för att omsluta sprayområdet. Använd inte droppdukar av plast vid sprutning av brandfarligt material.
- Brandsläckningsutrustning ska finnas och fungera.

	<p><b>VARNING: INJEKTIONSSKADA</b></p> <p>En högtrycksfärgström som produceras av denna utrustning kan tränga igenom huden och underliggande vävnader, leder till allvarlig skada och möjlig amputation. Uppsök omedelbart en läkare.</p>
--	---

- Rikta inte pistolen mot eller spraya någon person eller djur.
- Håll händer och andra kroppsdelar borta från utsläppen. Försök till exempel inte att stoppa läckor med någon del av kroppen.
- Lägg ALDRIG handen framför pistolen. Handskar ger inte skydd mot en injektionsskada .
- Håll ALLTID spetskyddet på plats under sprutning. Toppkyddet ger visst skydd men är främst en varningsanordning
- Använd endast en munstycksspets som specificerats av tillverkaren.
- Var försiktig när du rengör och byter munstycksspetsar. Om munstycksspetsen täpps till under sprutning, lås ALLTID pistolavtryckaren, stäng av pumpen och släpp allt tryck innan service, rengöring av munstycke eller skydd eller byte av munstycke. Trycket släpps inte genom att motorn stängs av. PRIME/SPRAY-ventilen eller tryckavluftningsventilen måste vridas till dess lämpliga positioner för att avlasta systemtrycket. Se TRYCKAVLASNING PROCEDUR som beskrivs i pumpens manual.
- Lämna inte enheten strömsatt eller under tryck utan uppsikt. När enheten är inte används, stäng av enheten och avlasta trycket i enlighet med tillverkarens anvisningar instruktioner.
- Högtrycksspray kan injicera gifter i kroppen och orsaka allvarliga kroppsskador . Om en injektion inträffar, sök omedelbart läkare.
- Kontrollera slangar och delar för tecken på skada, en läcka kan injicera material i huden. Jag inspekterar slangen före varje användning. Byt ut skadade slangar eller delar. Använd endast TITAN original högtrycksslangar för att säkerställa funktionalitet, säkerhet och hållbarhet.
- Detta system kan producera 3600psi/248 Bar. Använd endast reservdelar eller tillbehör som specificeras av tillverkaren och som är klassade som minst 3600PSI. Detta inkluderar sprutmunstycken, munstycksskydd, pistoler, förlängningar, kopplingar och slangar .
- Aktivera alltid avtryckarlåset när du inte sprutar. Kontrollera att avtryckarlåset fungerar korrekt .
- Kontrollera att alla anslutningar är säkra innan du använder enheten.
- Vet hur man stoppar enheten och avluftar trycket snabbt. Var väl förtrogen med kontrollerna . Trycket släpps inte genom att motorn stängs av. PRIME/SPRAY ventil eller tryckavluftningsventil måste vridas till

lämpligt läge för att avlasta systemtrycket . Se  
TRYCKAVLASTNINGSPROCEDUR som beskrivs i pumpens manual .  
·Ta alltid bort sprutmunstycket innan du spolat eller rengör systemet.

### **NOTERA TILL LÄKARE:**

**Injektion i huden är en traumatisk skada som kan leda till eventuell amputation . Det är viktigt att behandla skadan så snart som möjligt. DO Fördroja INTE behandlingen för att undersöka toxicitet. Toxicitet är ett problem med vissa beläggningar som injiceras direkt i blodomloppet. Konsultation med en plastikkirurg eller rekonstruktiv handkirurg kan vara tillrådligt.**



### **VARNING:**

#### **ALLMÄN Kan orsaka allvarliga skador eller skada på egendom**

Bär alltid lämpliga handskar, ögonskydd, kläder och andningskydd eller mask

när man målar.

- Använd eller spraya inte i närheten av barn. Håll alltid barn borta från utrustning.
- Räck inte för mycket eller stå på ett instabilt stöd. Håll ett effektivt fotfäste och balans alltid.
- Var uppmärksam och se vad du gör.
- Använd inte enheten när du är trött eller påverkad av droger eller alkohol.
- Böj inte eller överböja slangen. Airless slang kan utveckla läckage från slitage, veck och missbruk. En läcka kan injicera material i huden.
- Utsätt inte slangen för temperaturer eller tryck som överstiger de som anges av tillverkare.
- Använd inte slangen som en styrka för att dra eller lyfta utrustningen. Använd lägsta möjliga tryck för att spola utrustning.
- Följ alla tillämpliga lokala, statliga och nationella regler för ventilation, brand förebyggande och drift.
- Före varje användning, kontrollera alla slangar för skärsår, läckor,

nötning eller utbuktning av locket. Kontrollera för skador eller rörelser på kopplingen . Byt omedelbart ut slangen om någon av dessa förutsättningar finns. Reparera aldrig en färgslang. Byt ut med en ledande högtrycksslang .

- Spraya inte utomhus under blåsiga dagar. Dra alltid ur sladden ur uttaget innan du arbetar med utrustning (endast elektriska modeller)

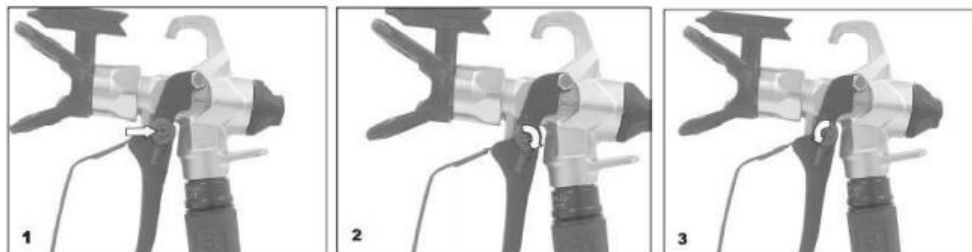
## **Bruksanvisning**

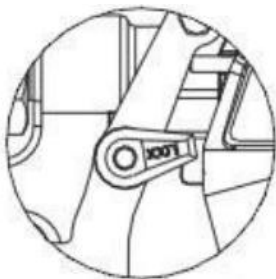


## **Använda pistolavtryckarlåset**

Aktivera alltid pistolens avtryckarlås när pistolen inte används(1) efter varje användning och förvara på en torr plats. Lämna inte pistolen eller någon av dess delar i vatten spänning.

1. För att låsa avtryckaren, vrid avtryckarlåset bakåt tills det stannar(2) eller lösningsmedel
2. För att låsa upp avtryckaren, vrid avtryckaren framåt tills den är vertikal(3) .





**Avtryckaren låst (pistolen sprutar inte)      Avtryckaren är upplåst  
(pistolen kommer att spruta)**

### **Uppstart**



**Försök aldrig att montera, byta eller rengöra pistolen, spetsen eller spetssskyddet utan först avlasta sprutsystemet. Följ "Tryckavlastning Procedur" i sprutans bruksanvisning.**

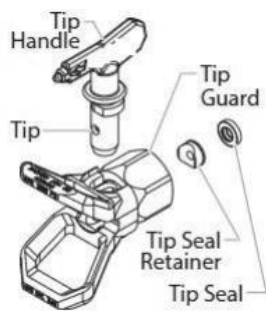
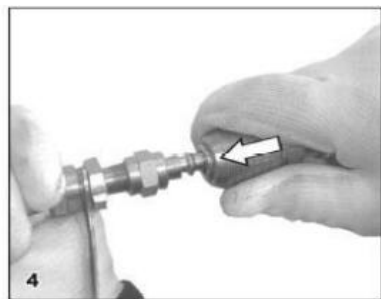


**Använd alltid ett spetssskydd för extra skydd mot injektion. Var uppmärksam på att skyddet ensamt inte kommer att förhindra injektion. Klipp aldrig av spetssskyddet! Aktivera alltid pistolavtryckaren när pistolen inte används. Innan du serverar utrustning, konsultera bruksanvisningarna och följ alla varningar.**

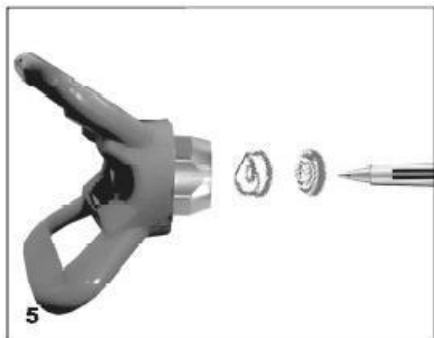
43. Ställ in sprutan. Se instruktionerna i sprutans bruksanvisning.

2. Anslut en jordad, högtrycksslang till materialinloppet på pistolen. Använd två skiftnycklar (en på pistolen och en på slangen) och dra åt ordentligt (4).

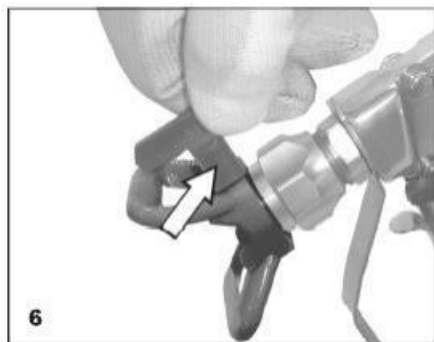




44. Starta sprutan med spetsen och spetsskyddet borta från pistolen. Spola och förbered spraysystemet enligt sprutans bruksanvisning. Inspektera spraysystemet för att säkerställa att alla kopplingar är säkra och att det inte finns några läckor.
45. Utför "Tryckavlastningsproceduren" som beskrivs i sprutans bruksanvisning .
46. Använd pilhuvudet på spetshandtaget för att föra in spetsstämningen och spetsförseglingshållaren i ryggsmärtnan på spetskyddet (5). Tryck in för slutjustering.



47. Sätt in spetsen i spåret på spetskyddet (6).



48. Trä på spetskyddet på pistolen. Placera spetskyddet i önskat sprutläge och dra åt ordentligt.
- OBS: Pilen på spetshandtaget ska peka i riktning framåt för sprutning .

## Drift

29. Se till att pilen på spetshandtaget pekar framåt för sprutning.

30. Starta sprutan. Se instruktionerna i sprutans bruksanvisning.

31. Justera vätsketrycket på sprutan tills sprayen är helt finfördelad.

Spraya alltid med det lägsta tryck som krävs för att få önskat resultat. OBS: Sprutspetsen bestämmer storleken på sprutmönster och täckning. När mer täckning behövs, använd en större spets istället för att öka vätsketrycket.

32. För att rensa en igensatt spets

V. Vrid spetsen 1 80° så att pilen på spetshandtaget pekar mot sprutriktningen.(7)

W. Avtrycka pistolen en gång så att trycket kan blåsa täppa till. Viktigt : Tryck aldrig på avtryckaren mer än en gång kl en gång med spetsen i omvänt läge.

X. Fortsätt denna procedur tills spetsen är fri från tilltäppningen



### Ändra ett tips

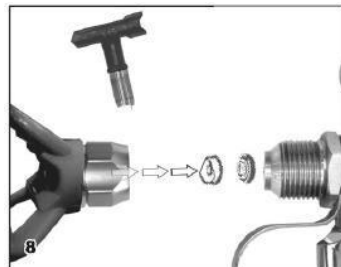
Spetsar kan enkelt tas bort och bytas ut utan att ta isär pistolen.

**Försök aldrig att byta eller rengöra spetsen eller spets skyddet utan att först utföra "Tryckavlastningsproceduren" .**

22. Utför "Tryckavlastningsproceduren" som beskrivs i sprutans bruksanvisning.

23. Ta bort spetsen från spåret på spets skyddet.

24. Sätt in den nya spetsen i skåran på spets skyddet. Pilen på spetshandtaget ska peka i riktning framåt.



### Ta bort tätningen och spetsförseglingen

15. Ta bort spetsen och spets skyddet från sprutpistolen.

16. Ta bort tätningen och spetsförseglingen från baksidan av spets skyddet (8)

## **Jag dentifierar spetsstorlekar**

för att identifiera spetsstorlekar. En "517" spetsstorlek kommer att användas i det här exemplet .

Den första siffran multiplicerad med två representerar storleken på sprutmönstret vid sprutning 12" (30 cm) från arbetsytan:  $5 \times 2 = 10$ " spraymönster . De andra två siffrorna representerar diametern på öppningen på spetsen:  $17 = 0,017$ " (0,43 mm) öppning .

**NOTERA: Slitna sprutspetsar kommer att påverka sprutmönstret negativt och resultera i minskad produktion , dålig finish och slöseri med material. Byt ut slitna spetsar omedelbart .**

## **Städa**

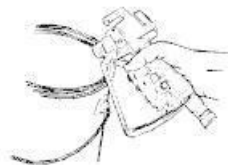
Att hålla en ren pistol är viktigt för att säkerställa problemfri drift. Spola pistolen efter varje användning och förvara på en torr plats. Lämna inte pistolen eller någon av dess delar i vatten eller lösningsmedel .



### **Särskilda rengöringsinstruktioner för användning med brandfarliga lösningsmedel:**

Spola alltid sprutpistolen helst utvändigt och minst en slanglängd från spraypump.

- Om du samlar upp spolade lösningsmedel i en metallbehållare på 1 gallon, placera den i en tom 5 gallon behållare och spola sedan lösningsmedel.
- Området måste vara fritt från brandfarliga ångor
- Följ alla rengöringsinstruktioner.
- Viktigt : Sprutan, slangen och pistolen bör rengöras noggrant efter daglig användning. Underlåtenhet att göra det tillåter att materialet kakar ihop, vilket allvarligt påverkar enhetens prestanda.



Spraya alltid vid lägsta tryck med spetsen och spetskyddet

borttagna när du använder mineralsprit eller något annat lösningsmedel för att rengöra sprutan, slangen eller pistolen . Ansamling av statisk elektricitet kan resultera i brand eller explosion i närvaro av brandfarliga ångor. Håll pistolen stadigt mot en metallbehållare medan du spolar.

## **Underhåll**



Följ alla säkerhetsåtgärder som beskrivs i avsnittet

Säkerhetsföreskrifter i den här bruksanvisningen innan du fortsätter. OBSERVERA: Se avsnittet Reservdelslista i denna handbok för identifiering av delar.

## **Byte/serva tätningseenheten**

Om din sprutpistol läcker eller spottar vid spetsen när du släpper avtryckaren, nålen eller sätet är sliten, skadad eller smutsig och måste bytas ut eller rengöras.



## **Försök aldrig att utföra underhåll på sprutpistolen utan att först utföra "Tryckavlastningsproceduren."**

1. Utför "Tryckavlastningsproceduren" och koppla loss vätskeslangen från pistolen.
2. Ta bort ändlocket och packningsfjädersenheten från pistolhuvudets baksida.
3. Använd en 3/8" hylsa för att ta bort packningstätningseenheten från baksidan av pistolhuvudet.
4. Blötlägg de avlägsnade delarna i lämpligt lösningsmedel och torka rent.
5. Inspektera delarna för slitage eller skador och använd nya delar under återmontering av pistolen.  
när det är nödvändigt.

OBS: Smörj alla plockar och rörliga delar före återmontering med en litiumbaserat d- fett.

6. Se till att de två retraktorstiften inuti pistolhuvudet fortfarande är i rätt

läge 7. Sätt in tätningseenheten på baksidan av pistolhuvudet och trä den för hand tills det tar stopp.

8. Använd en 3/8" hylsa för att dra åt packningen. Dra åt till 5 Nm (3,7 ft./lbs.)

9. Smörj båda ändarna av tätningssfjädern och placera den över tätningseenheten i pistolhuvudet.

10. Placera ändlocket över packningssfjädern så att piloten inuti ändlocket sitter inuti packningssfjädern.

11. Tryck ändlocket mot pistolhuvudet medan du trär in det i pistolhuvudet. Använd en skiftnyckel och dra åt ändlocket ordentligt. 12. Utför proceduren "Justera packningstätningen" som beskrivs nedan.

### **Justering av packningstätningen**



Korrekt justering av tätningseenheten är avgörande för att

säkerställa en positiv avstängning när avtryckaren släpps.

15. Sätt in en 1/8" insexnyckel genom hålet i mitten av ändlocket tills det sitter inuti packningens justerskruv.

16. Vrid packningens justeringskruv medurs tills kulan på packningens tätningseenhet kan kännas sitta på plats. Vrid sedan skruven 1/4 varv till för korrekt spänning .

### **Byta/ta bort filtret**

43. Dra botten av avtryckarskyddet framåt så att det lossnar från handtagsenheten (9)

44. Lossa och ta bort handtagsenheten från pistolhuvudet (10).

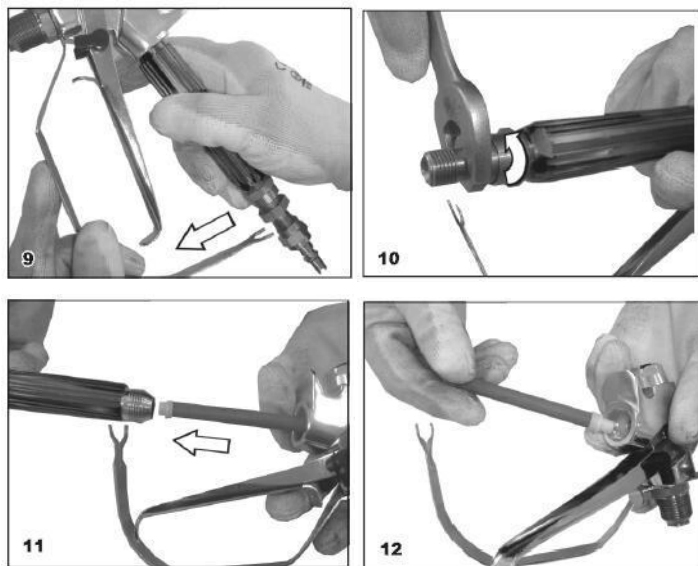
45. Dra ut det gamla filtret ur pistolhuvudet (11).

46. Skjut in det nya filtret, med den avsmalnande änden först, i pistolhuvudet (12).

47. Se till att alla delar är rena och att handtaget tätar är på plats inuti pistolhuvudet .

48. Trä in handtagsenheten i pistolhuvudet tills det sitter fast. 7. Snäpp

tillbaka avtryckarskyddet på handtagsenheten.



## TEKNISKA SPECIFIKATIONER

Typ:	821	Arbetstryck	3600PSI
Typ av foder	Tryck	Standard munstycke	0,017"(517)
Färganslutning	1/4-18NPSM	Mönsterbredd	254-305 mm

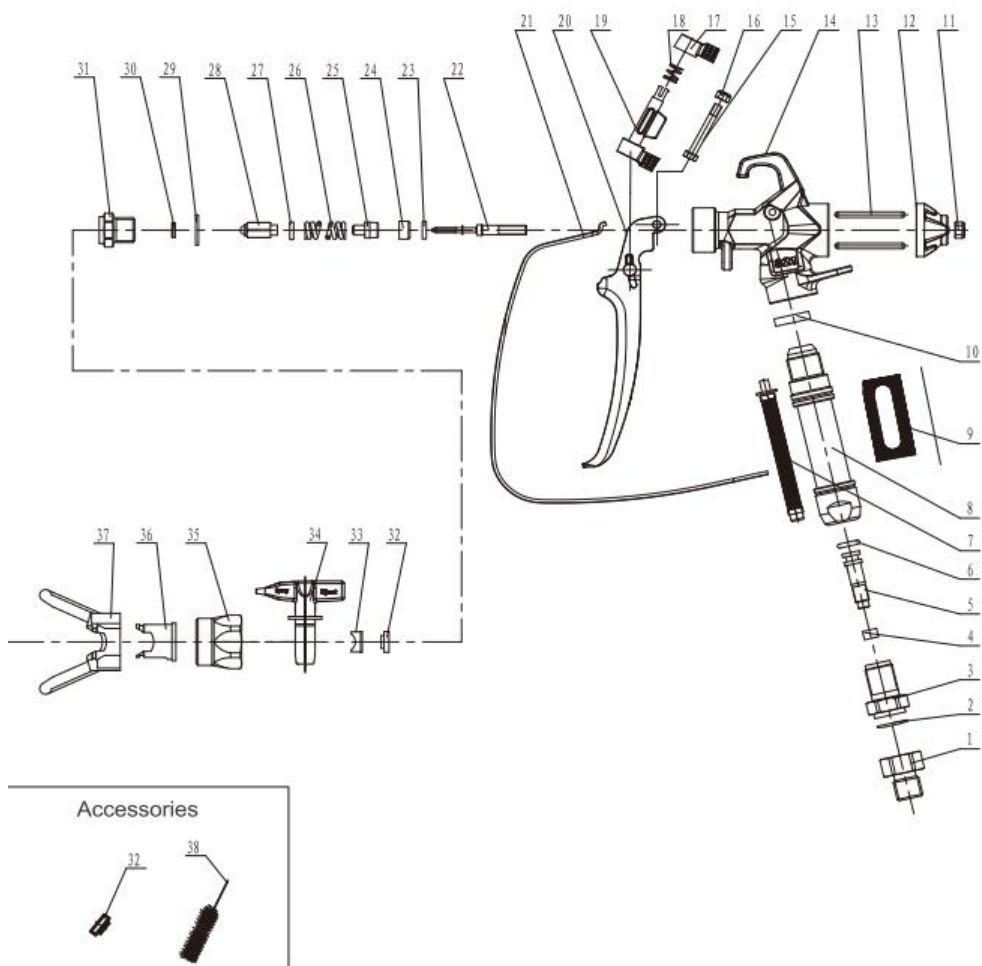
**SCFM:** Standard kubikfot per minut (volymflödet för en långt korrigerad till standardiserade temperatur- och tryckförhållanden).

NPT: Nationell rörtråd

**Miljöansvar**

Vänligen återvinn önskat material istället för att slänga dem som avfall. Alla verktyg, slangar och förpackningar ska sorteras till den lokala återvinningscentralen och kasseras på ett miljösäkert sätt.

## MONTERINGSRITNING





## DELLISTA

Nej	Beskrivning	Antal	Nej	Beskrivning	Antal	Nej	Beskrivning
1	Luftintagskontakt	1	14	Vapenkropp	1	27	Fingerborgshuvudbricka
2	Bricka	1	15	Sexkantsbult	1	28	Fingerborgshuvudenhet
3	Material Inloppsfog	1	16	Sexkantlåsmutter	1	29	Pluggbricka
4	Intervallbricka	1	17	Avtryckarpolled	1	30	Plugg Insert
5	Material anslutningskärna	1	18	Vår	1	31	Plugg säte
6	O-ring 6*2	1	19	Avtryckarstolpe	1	32	Gummiplugg
7	Filtrera	1	20	Utlösare	1	33	Munstyckshatt
8	Hantera	1	21	Tigger Guarg	1	34	Vändbar spetsenhet
9	Handtag Slida	1	22	Kaus	1	35	Nöt
10	Bricka	1	23	Kopparbricka	1	36	Spets säte

11	Sexkantlås-mutter	1	24	Fingerborg Tättningsbricka	1	37	Tipsvakt
12	Byt säte	1	25	Fjäderkärna	1	32	Gummiplugg
13	Switch Pin	2	26	Fingerborgsfjäder	1	38	Borsta

**Adress:** Baoshanqu Shuangchenglu 803long 11hao 1602A-1609shi Shanghai  
**Importerad till AUS:** SIHAO PTY LTD . 1 ROKEVA STREETEASTWOOD NSW  
2122 Australien

**Importerad till USA:** Sanven Technology Ltd. Suite 250, 9166 Anaheim Place,  
Rancho Cucamonga, CA 91730



Pooledas Group Ltd  
Unit 5 Albert Edward House, The Pavilions  
Preston, United Kingdom



SHUNSHUN GmbH  
Römeräcker 9 Z2021, 76351  
Linkenheim-Hochstetten, Germany

**Tillverkad i Kina**





**VEVOR**<sup>®</sup>

**TOUGH TOOLS, HALF PRICE**

**Teknisk Support och e-garanticertifikat**

**[www.vevor.com/support](http://www.vevor.com/support)**