

VEVOR[®]

TOUGH TOOLS, HALF PRICE

Technical Support and E-Warranty Certificate www.vevor.com/support

MAGNETIC BASE DRILL

Model: ZT-40H/ZT-45H/MD-50/MDP-50

We continue to be committed to provide you tools with competitive price.

"Save Half", "Half Price" or any other similar expressions used by us only represents an estimate of savings you might benefit from buying certain tools with us compared to the major top brands and does not necessarily mean to cover all categories of tools offered by us. You are kindly reminded to verify carefully when you are placing an order with us if you are actually saving half in comparison with the top major brands.

VEVOR®

TOUGH TOOLS, HALF PRICE

MAGNETIC BASE DRILL USER MANUAL

MODEL: ZT-40H/ZT-45H/MD-50/MDP-50



NOTE: The buttons on the control panel of some machine models may be different. Please see the real product for detailed information.

NEED HELP? CONTACT US!

Have product questions? Need technical support? Please feel free to contact us:

Technical Support and E-Warranty Certificate
www.vevor.com/support

This is the original instruction, please read all manual instructions carefully before operating. VEVOR reserves a clear interpretation of our user manual. The appearance of the product shall be subject to the product you received. Please forgive us that we won't inform you again if there are any technology or software updates on our product.



DESCRIPTION OF THE SYMBOLS

The symbols used in this manual are intended to alert you of the possible risks. Please fully read the safety signs and instructions below. The warning themselves do not prevent the risks and can not be a substitute for proper methods of avoiding accidents.



This symbol, placed before a safety comment, indicates a kind of precaution, warning, or danger. Ignoring this warning may lead to an accident. To reduce the risk of injury, fire, or electrocution, please always follow the recommendations shown below.



WARNING - To reduce the risk of injury, users must read the instruction manual carefully.

Please refer to the appropriate section in this user manual before any operation.



WARNING: Be sure to wear eye protectors, dust masks, and gloves when using this product.



This product is subject to the provision of European Directive 2012/19/EC. The symbol showing a crossed-out wheeled bin indicates that the product requires separate refuse collection in the European Union. This symbol applies to the product and all accessories marked with this symbol. Products marked as such may not be discarded with normal domestic waste but must be taken to a collection point for recycling electrical and electronic devices.



This device complies with Part 15 of the FCC Rules. Operation is subject to the following two conditions: (1) This device may not cause harmful interference, and (2) this device must accept any interference received, including interference that may cause undesired operation.

SAFETY INSTRUCTIONS



WARNING: Read all safety warnings, instructions, illustrations and specifications provided with this power tool. Failure to follow all instructions listed below may result in electric shock, fire and/or serious injury.

Save all warnings and instructions for future reference.



General Power Tool Safety Warnings - Work area safety

- a) Keep work area clean and well lit. Cluttered or dark areas invite accidents.
- b) Do not operate power tools in explosive atmospheres, such as in the presence of flammable liquids, gases or dust. Power tools create sparks which may ignite the dust or fumes.
- c) Keep children and bystanders away while operating a power tool. Distractions can cause you to lose control.
- d) Before work to tie the cuffs, women need to wear a good woman hat, long hair hidden in the hat, is strictly prohibited to wear gloves. When the construction is completed, the switch must be turned off before leaving.



General Power Tool Safety Warnings - Electrical safety

- a) Power tool plugs must match the outlet. Never modify the plug in any way. Do not use any adapter plugs with earthed (grounded) power tools. Unmodified plugs and matching outlets will reduce risk of electric shock.

- b) Avoid body contact with earthed or grounded surfaces, such as pipes, radiators, ranges and refrigerators. There is an increased risk of electric shock if your body is earthed or grounded.
- c) Do not expose power tools to rain or wet conditions. Water entering a power tool will increase the risk of electric shock.
- d) Do not abuse the cord. Never use the cord for carrying, pulling or unplugging the power tool. Keep cord away from heat, oil, sharp edges or moving parts. Damaged or entangled cords increase the risk of electric shock.
- e) When operating a power tool outdoors, use an extension cord suitable for outdoor use. Use of a cord suitable for outdoor use reduces the risk of electric shock.
- f) If operating a power tool in a damp location is unavoidable, use a ground fault circuit interrupter (GFCI) protected supply. Use of an GFCI reduces the risk of electric shock.



General Power Tool Safety Warnings - Personal safety

- a) Stay alert, watch what you are doing and use common sense when operating a power tool. Do not use a power tool while you are tired or under the influence of drugs, alcohol or medication. A moment of inattention while operating power tools may result in serious personal injury.
- b) Use personal protective equipment. Always wear eye protection. Protective equipment such as a dust mask, non-skid safety shoes, hard hat or hearing protection used for appropriate conditions will reduce personal injuries.
- c) Prevent unintentional starting. Ensure the switch is in the off-position before connecting to power source and/or battery pack, picking up or carrying the tool. Carrying power tools with your finger on the switch or energising power tools that have the switch on invites accidents.
- d) Remove any adjusting key or wrench before turning the power tool on. A wrench or a key left attached to a rotating part of the power tool may result in personal injury.
- e) Do not overreach. Keep proper footing and balance at all times. This enables better control of the power tool in unexpected situations.

- f) Dress properly. Do not wear loose clothing or jewellery. Keep your hair and clothing away from moving parts. Loose clothes, jewellery or long hair can be caught in moving parts.
- g) If devices are provided for the connection of dust extraction and collection facilities, ensure these are connected and properly used. Use of dust collection can reduce dust-related hazards.
- h) Do not let familiarity gained from frequent use of tools allow you to become complacent and ignore tool safety principles. A careless action can cause severe injury within a fraction of a second.
- I) This product is not a toy. Keep it out of reach of children.
- J) Only use safety equipment that has been approved by an appropriate standards agency. Unapproved safety equipment may not provide adequate protection. Eye protection must be ANSI-approved and breathing protection must be NIOSH-approved for the specific hazards in the work area.
- K) Do not lay the tool down until it has come to a complete stop. Moving parts can grab the surface and pull the tool out of your control.
- L) When using a handheld power tool, maintain a firm grip on the tool with both hands to resist starting torque.
- M) Do not leave the tool unattended when the Battery Pack is connected. Turn off the tool, and remove the Battery Pack before leaving.
- N) People with pacemakers should consult their physician(s) before use. Electromagnetic fields in close proximity to heart pacemaker could cause pacemaker interference or pacemaker failure.
- O) The warnings, precautions, and instructions discussed in this instruction manual cannot cover all possible conditions and situations that may occur. It must be understood by the operator that common sense and caution are factors which cannot be built into this product, but must be supplied by the operator

Power tool use and care

- a) Do not force the power tool. Use the correct power tool for your application. The correct power tool will do the job better and safer at the rate for which it was designed.
- b) Do not use the power tool if the switch does not turn it on and off. Any power tool that cannot be controlled with the switch is dangerous and must be repaired.

- c) Disconnect the plug from the power source and/or remove the battery pack, if detachable, from the power tool before making any adjustments, changing accessories, or storing power tools. Such preventive safety measures reduce the risk of starting the power tool accidentally.
- d) Store idle power tools out of the reach of children and do not allow persons unfamiliar with the power tool or these instructions to operate the power tool. Power tools are dangerous in the hands of untrained users.
- e) Maintain power tools and accessories. Check for misalignment or binding of moving parts, breakage of parts and any other condition that may affect the power tool's operation. If damaged, have the power tool repaired before use. Many accidents are caused by poorly maintained power tools.
- f) Keep cutting tools sharp and clean. Properly maintained cutting tools with sharp cutting edges are less likely to bind and are easier to control.
- g) Use the power tool, accessories and tool bits etc. in accordance with these instructions, taking into account the working conditions and the work to be performed. Use of the power tool for operations different from those intended could result in a hazardous situation.
- h) Keep handles and grasping surfaces dry, clean and free from oil and grease. Slippery handles and grasping surfaces do not allow for safe handling and control of the tool in unexpected situations.
- i) Please confirm the number of voltage volts before use. The working voltage is not more than $\pm 5\%$. If it is more than that, it will cause motor burning and leakage accidents.
- j) During construction, please pay attention to avoid water entering the motor or blocking the ventilation hole, so as not to reduce the heat dissipation performance of the motor and cause the motor to burn down.
- k) In the steel plate construction, please pay attention to the safety of the lower layer of personnel and goods, iron beam and column drilling, pay attention to the safety of the structure of the building.
- L) In suspension operation, the safety belt must be tightly tied and the magnetic drill fixed to prevent sudden power failure or power failure caused by accidents.
- M) Do not cut the power cord or change the plug yourself. This will cause the machine to burn out.

Service

- a) Have your power tool serviced by a qualified repair person using only identical replacement parts. This will ensure that the safety of the power tool is maintained.
- b) In any case, it should be started in no-load state. It is forbidden to start with load, so as to avoid damage to the machine. Please pay attention to the stability of the magnetic drill when working at high altitude, so as to prevent the machine from falling down.
- c) Ensure that the ground cable is grounded reliably.
- d) When moving, the magnetic drill should be lifted to prevent damage to the magnetic base.
- e) In the maintenance must use the original parts, in order to make the machine to achieve the best use state.
- f) Maintain labels and nameplates on the tool. These carry important safety information. If unreadable or missing, contact VEVOR for a replacement.



Vibration Safety

This tool vibrates during use. Repeated or long-term exposure to vibration may cause temporary or permanent physical injury, particularly to the hands, arms and shoulders. To reduce the risk of vibration-related injury:

- a. Anyone using vibrating tools regularly or for an extended period should first be examined by a doctor and then have regular medical check-ups to ensure medical problems are not being caused or worsened from use. Pregnant women or people who have impaired blood circulation to the hand, past hand injuries, nervous system disorders, diabetes, or Raynaud's Disease should not use this tool. If you feel any symptoms related to vibration (such as tingling, numbness, and white or blue fingers), seek medical advice as soon as possible.
- b. Do not smoke during use. Nicotine reduces the blood supply to the hands and fingers, increasing the risk of vibration-related injury.
- c. Wear suitable gloves to reduce the vibration effects on the use
- d. Use tools with the lowest vibration when there is a choice.
- e. Include vibration-free periods each day of work.
- f. Grip tool as lightly as possible (while still keeping safe control of it). Let the tool do the work.

g. To reduce vibration, maintain the tool as explained in this manual. If any abnormal vibration occurs, stop use immediately.



Grounding Safety

TO PREVENT ELECTRIC SHOCK AND DEATH FROM INCORRECT GROUNDING: check with a qualified electrician if you are in doubt as to whether the outlet is properly grounded. Do not modify the power cord plug provided with the charger. Do not use the charger if the power cord or plug is damaged. if damaged, have it repaired by a service facility before use. if the plug will not fit the outlet, have a proper outlet installed by a qualified electrician.

MODEL AND PARAMETERS

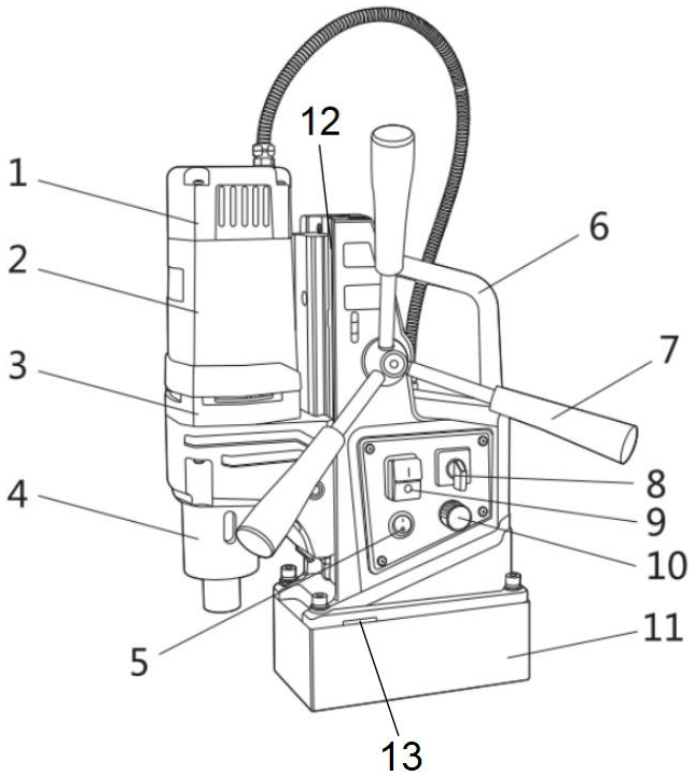
INPUT: AC 230V 50Hz(EUR/AUS)

Model	ZT-40H	ZT-45H	MD-50	MDP-50
Hole diameter (hollow drill)(mm)	Φ40mm	Φ40mm	Φ50mm	Φ50mm
Fried dough twist drill diameter(mm)	Φ3-Φ16	Φ3-Φ16	Φ3-Φ16	Φ3-Φ16
Tapping diameter(mm)	/	3-16	3-16	/
Drilling depth(mm)	50	50	50	50
Magnetic attraction(N)	12500	12500	13000	12800
Speed(r/min)	850	0-830r/min (FWD) 0-800r/min (REV)	0-570	0-850r/min (FWD) 0-800r/min (REV)
Trip(mm)	220	220	210	220
Input	AC 230V 50Hz(EUR/AUS)			
Power(W)	1450	1450	1600	1450
Fuse(A)	15			
Direction of rotation	Forward	Forward/ Reverse	Forward	Forward/ Reverse

INPUT: AC 120V 60Hz(US)

Model	ZT-40H	ZT-45H	MD-50	MDP-50
Hole diameter (hollow drill)(mm)	Φ40mm	Φ40mm	Φ50mm	Φ50mm
Fried dough twist drill diameter(mm)	Φ3-Φ16	Φ3-Φ16	Φ3-Φ16	Φ3-Φ16
Tapping diameter(mm)	/	3-16	/	3-16
Drilling depth(mm)	50	50	50	50
Magnetic attraction(N)	12500	12500	13000	12800
Speed(r/min)	850	0-800r/min (FWD) 0-770r/min (REV)	0-570	0-800r/min (FWD) 0-750r/min (REV)
Trip(mm)	220	220	210	220
Input	AC 120V 60Hz(US)			
Power(W)	1450	1450	1600	1450
Fuse(A)	15			
Direction of rotation	Forward	Forward/ Reverse	Forward	Forward/ Reverse

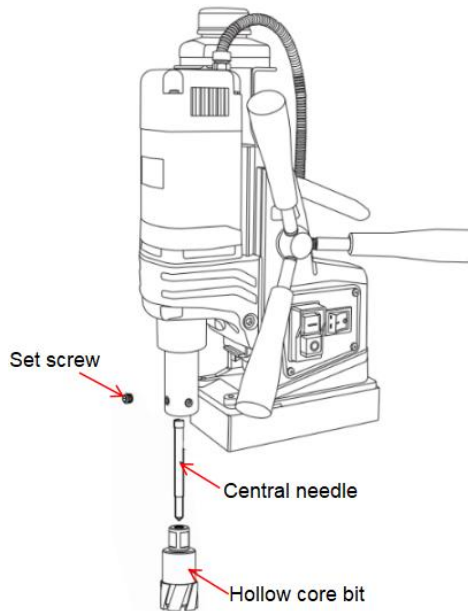
STRUCTURE DIAGRAM



The buttons on the control panel of some machine models may be different. Please see the real product for detailed information.

- | | |
|--------------------------|---------------------------|
| 1. Rear cover | 2. Chassis |
| 3. Middle cover | 4. Gear box |
| 5. Electromagnet switch | 6. Handle |
| 7. Control Rod | 8. Forward/reverse switch |
| 9. Power switch | 10. Speed regulating knob |
| 11. Electromagnetic Base | 12. Track |
| 13. Seat belt sling hole | |

OPERATION AND USE



1. The drill bit must be sharp. When installing the hollow drill, insert the central needle into the hollow drill, install the hollow drill on the output shaft, and finally, tighten the fixing screw to secure the hollow drill.
2. Place the magnetic drill near the required drilling position, plug in the power plug, align the drill bit with the machining position, and then turn on the switch of the electromagnet so that the electromagnet can be absorbed on the surface of the magnetic materials such as steel. (plate thickness more than 15mm)
(Pay attention to selecting appropriate adsorption materials and ensure that there is no debris on the adsorption surface, check whether the magnetic force is normal).
3. The machine should be fastened with a safety belt when working on the side or top.
4. Thread one end of the safety belt into the handle hole of the frame, tie the other end to the strong frame, and then buckle into the fasteners
(Try to pull with your hand, it should not be loose and displacement).

5. Turn on the power switch to check whether the drill bit is beating and the sound is stable. If everything is normal, open the water valve first so that the cutting fluid in the oil can flow out, and then turn the handle to feed

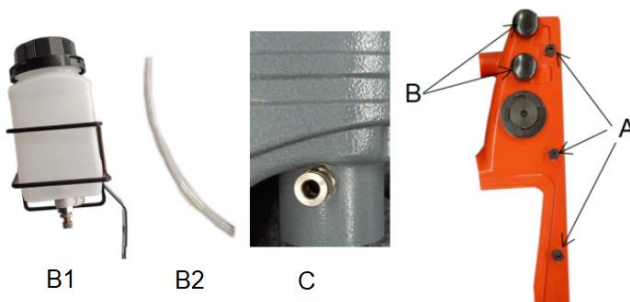
(Note: Do not open the water valve when working on the side and top position)

6. Feed should be slow at first. Do not exert too much in case of overload.

7. If the motor suddenly stops or gets stuck due to a fault, the drill control switch 9 must be turned off immediately (Note: do not turn off the electromagnet switch 5). After continuous use for 2-3 hours, you need to rest to prevent the electromagnetic seat from burning out due to overheating.

8. When the carbon brush is worn out, please replace it in time (both of them should be replaced at the same time).

COOLING DOWN AND ADJUSTMENT OF THE TRACK



1. Fix B1 at B, then connect B2 to B1 and C.

2. Turn the joystick to determine whether the tightness of the track meets the drilling requirements. If the tightness is not ideal, you can adjust it with the open wrench and the hex wrench in the attachment.

a) Loosen the hex nut at place A with an open wrench.

b) Use the hex wrench to adjust the set screw at A and turn the joystick 7 simultaneously to feel whether the tightness of the track reaches the ideal state of drilling.

c) After adjustment, tighten the hex nut at A with the open-end wrench.

Note: The tightness of the track has been adjusted before leaving the factory. If there has been no strong vibration, fall, and other conditions, please do not adjust.

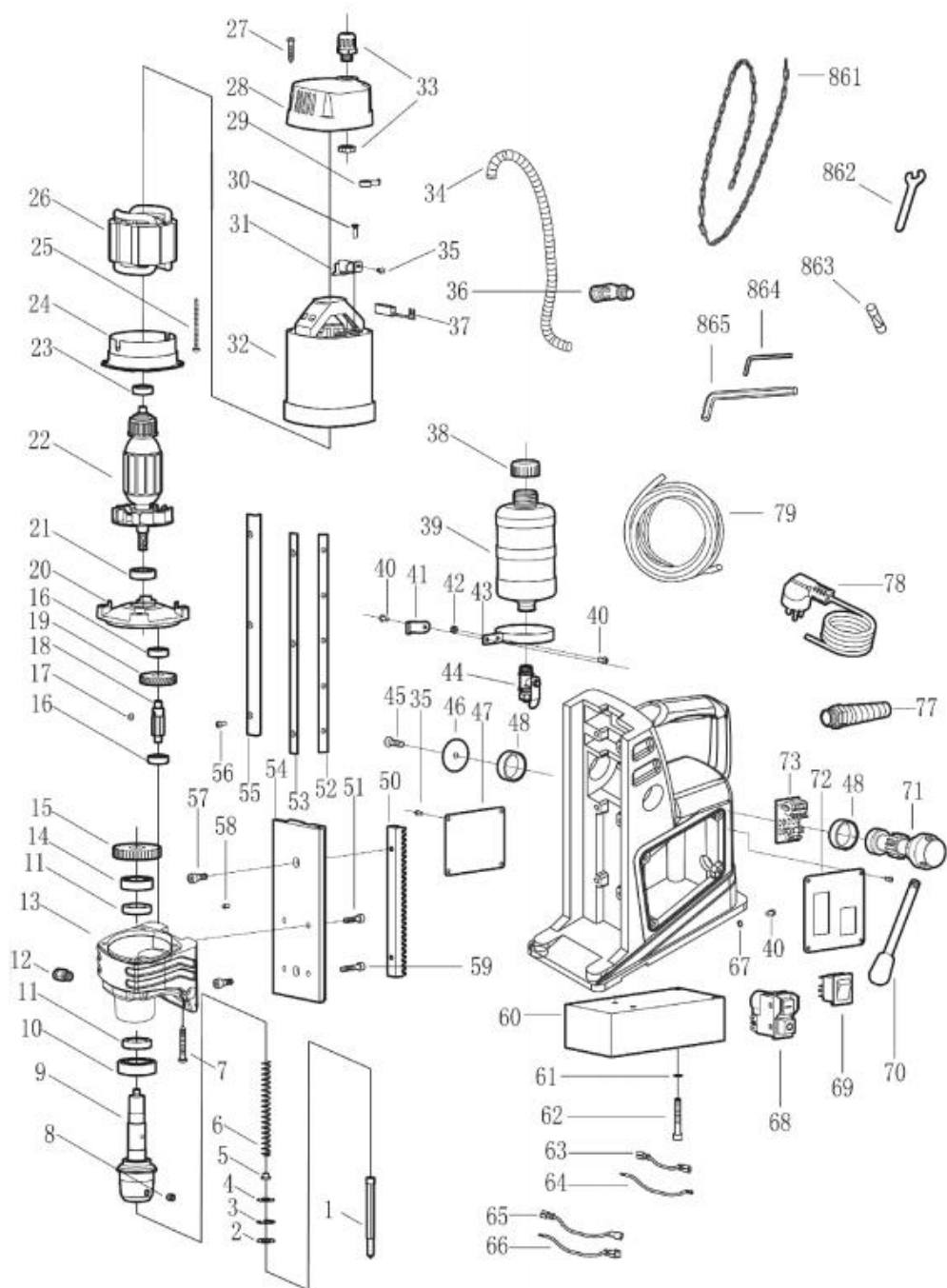
TROUBLE SHOOTING INSTRUCTION

Problem	Reason	Solution
Magnetic holder has no suction.	Poor switch contact.	Repair switch.
	The power is off.	Repairing the power
	The fuse is blown out.	Replace the fuse
	Electromagnet short circuit or burn out.	Repair or replace the magnetic base.
	It is not adsorbed on steel parts.	Change or thicken the adsorption surface (thickness > 15mm).
The machine won't work after the power is on.	Poor switch contact.	Repair switch.
	Loose plug.	Connecting the power
	The brush does not contact the commutator.	Replace the brush.
Magnetic seat suction is weak.	The adsorbed workpiece is too thin.	Change or thicken the adsorption surface (thickness > 15mm).
	Small adsorbable surface.	Change the adsorption surface or temporarily weld the thick adsorption
Elliptical holes appear in the drilling holes.	The vibration caused the fastener to loosen.	Tighten the fastener after correcting the verticality.
	The drill cuts only on one	Regrinding bit.
	There is debris on the adsorption surface.	Remove clutter.

MAINTENANCE AND STORAGE

NOTE: Please remove the plug before maintenance.

1. After each use, clean the bottom of the magnetic seat drill and keep it properly.
2. Please butter the track in time when the slide is not smooth.
3. Please check the electrical protection device regularly.
4. Whether grounding is reliable.
5. Please check in time during the rainy season.



COMPONENT COMPARISON TABLE

No.	Name	No.	Name	No.	Name
1	Central needle	29	Coil spring	57	Bolt M6 x 6
2	Rubber pad	30	Tapping screw ST2.9 x 9.5	58	Cylindrical pin x 10
3	Elastic retaining ring 19	31	Brush holder component	59	Bolt M5x25
4	Gasket	32	Nylon cable fixing head component	60	Electric magnet
5	Spring plug	33	Hose	61	Spring gasket 6
6	Spring	34	Bolt m4x6	62	Bolt M6 x 40
7	Tapping screw ST4.8 x 40	35	Elbow cable retainer component	63	Connect wire 2
8	Hexagon socket screw M8 x 8	36	Carbon brush	64	Connect wire 3
9	Output axis	37	Oil can cover	65	Connect wire 1
10	Bearing 6004	38	Oil can	66	Connect wire 4
11	Seal ring	39	Bolt M4x10	67	gasket 4
12	APC connector R1/8	40	Cable fixing plate	68	Electromagnetic switch
13	Reduction gearbox	41	Nut M4	69	Swing plate switch
14	Bearing 6003	42	Oil can retaining ring	70	Rod component
15	4# gear	43	Water valve component G1/4	71	Rack shaft
16	Bearing 608	44	Bolt M6 x 20	72	Switch fixing plate
17	Flat key 4 x 4 x 6	45	Gasket	73	Circuit board
18	3# gear shaft	46	Name plate	74	Bolt M5 x 16
19	2# gear	47	Shaft ring	75	Nut M5

20	Middle cover	48	Screw-pad combination M6x16	76	Base
21	Bearing 6001	49	Rack	77	Screw cable fixing head
22	Rotor	50	Bolt M5 x 20	78	Cable connector plug
23	Bearing 608	51	Track regulating bar	79	PU hose
24	Wind shield ring	52	Track bar A	861	Safety Belt
25	Tapping screw ST4 x 52	53	Guide rail plate	862	Open spanner 8mm
26	Stator	54	Track bar B	863	Fuse
27	Tapping screw ST4.2 x 25	55	Tapping screw ST2.9 x 9.5	864	Hexagonal open spanner 2.5mm
28	Rear cover	56	Bolt M3 x 6	865	Hexagonal open spanner 4mm

VEVOR[®]

TOUGH TOOLS, HALF PRICE

Technical Support and E-Warranty Certificate

www.vevor.com/support

VEVOR®

TOUGH TOOLS, HALF PRICE

Technischer Support und E-Garantie-Zertifikat www.vevor.com/support

MAGNETISCHER BOHRER

Modell: ZT-40H/ZT-45H/MD-50/MDP-50

Wir sind weiterhin bestrebt, Ihnen Werkzeuge zu wettbewerbsfähigen Preisen anzubieten.

„Sparen Sie die Hälfte“, „Halber Preis“ oder andere ähnliche Ausdrücke, die wir verwenden, stellen nur eine Schätzung der Ersparnis dar, die Sie beim Kauf bestimmter Werkzeuge bei uns im Vergleich zu den großen Topmarken erzielen können, und decken nicht unbedingt alle von uns angebotenen Werkzeugkategorien ab. Wir möchten Sie freundlich daran erinnern, bei Ihrer Bestellung bei uns sorgfältig zu prüfen, ob Sie im Vergleich zu den großen Topmarken tatsächlich die Hälfte sparen.

VEVOR®

TOUGH TOOLS, HALF PRICE

MAGNETISCHER BOHRER

BENUTZERHANDBUCH

MODELL: ZT-40H/ZT-45H/MD-50/MDP-50



HINWEIS: Die Tasten auf dem Bedienfeld einiger Maschinenmodelle können unterschiedlich sein. Detaillierte Informationen finden Sie beim tatsächlichen Produkt.

Brauchen Sie Hilfe? Kontaktieren Sie uns!

Sie haben Fragen zu unseren Produkten? Sie benötigen technischen Support? Dann kontaktieren Sie uns gerne:

Technischer Support und E-Garantie-Zertifikat
www.vevor.com/support

Dies ist die Originalanleitung. Bitte lesen Sie alle Anweisungen sorgfältig durch, bevor Sie das Gerät in Betrieb nehmen. VEVOR behält sich eine klare Auslegung unserer Bedienungsanleitung vor. Das Erscheinungsbild des Produkts richtet sich nach dem Produkt, das Sie erhalten haben. Bitte verzeihen Sie uns, dass wir Sie nicht erneut informieren, wenn es Technologie- oder Software-Updates für unser Produkt gibt.



BESCHREIBUNG DER SYMBOLE

Die in diesem Handbuch verwendeten Symbole sollen Sie auf mögliche Gefahren aufmerksam machen. Bitte Lesen Sie die Sicherheitshinweise und Anweisungen unten. Die Warnung selbst verhindert nicht, dass die Risiken und können geeignete Maßnahmen zur Unfallverhütung nicht ersetzen.



Dieses Symbol vor einem Sicherheitshinweis weist auf eine Vorsichtsmaßnahme, Warnung oder Gefahr. Das Ignorieren dieser Warnung kann zu einem Unfall führen. Um das Risiko von Verletzungen, Feuer oder Stromschlaggefahr. Befolgen Sie bitte stets die unten aufgeführten Empfehlungen.



WARNUNG - Um das Verletzungsrisiko zu verringern, müssen Benutzer die Anleitung lesen

Lesen Sie das Handbuch sorgfältig durch.

Bitte lesen Sie vor jeder Bedienung den entsprechenden Abschnitt in dieser Bedienungsanleitung.



WARNUNG: Tragen Sie unbedingt Augenschutz, Staubmaske und Handschuhe bei der Verwendung dieses Produkt.



Dieses Produkt unterliegt den Bestimmungen der europäischen Richtlinie 2012/19/EG.

Das Symbol einer durchgestrichenen Mülltonne weist darauf hin, dass das Produkt getrennte Müllsammlung in der Europäischen Union. Dieses Symbol gilt für die Produkt und alle mit diesem Symbol gekennzeichneten Zubehörteile. Als solche gekennzeichnete Produkte dürfen nicht mit dem normalen Hausmüll entsorgt werden, sondern müssen in einer Sammelstelle für das Recycling von elektrischen und elektronischen Geräten.



Dieses Gerät entspricht Teil 15 der FCC-Bestimmungen. Der Betrieb unterliegt den folgenden zwei Bedingungen: (1) Dieses Gerät darf keine schädlichen Störungen verursachen und (2) Dieses Gerät muss alle empfangenen Störungen tolerieren können, einschließlich Störungen, die kann zu unerwünschtem Betrieb führen.

SICHERHEITSHINWEISE



WARNUNG: Lesen Sie alle Sicherheitswarnungen, Anweisungen, Abbildungen und

Spezifikationen dieses Elektrowerkzeugs. Nichtbefolgen aller aufgeführten Anweisungen

Die folgenden Hinweise können zu Stromschlägen, Bränden und/oder schweren Verletzungen führen.

Bewahren Sie alle Sicherheitshinweise und Anweisungen für die Zukunft auf.



Allgemeine Sicherheitshinweise für Elektrowerkzeuge – Sicherheit am Arbeitsplatz

a) Halten Sie den Arbeitsbereich sauber und gut beleuchtet. Unordnung oder dunkle Bereiche können zu Unfällen führen.

b) Betreiben Sie Elektrowerkzeuge nicht in explosionsgefährdeten Bereichen, wie z. B. in der Nähe von verbrennbaren Flüssigkeiten, Gasen oder Staub. Elektrowerkzeuge erzeugen Funken, die Staub oder die Dämpfe.

c) Halten Sie Kinder und andere Personen während der Benutzung des Elektrowerkzeugs fern. Ablenkung kann dazu führen, dass Sie die Kontrolle

verlieren. d) Vor der Arbeit, um die Manschetten zu binden, müssen Frauen einen guten Frauenhut tragen, lange Haare versteckt im Hut, ist strengstens verboten, Handschuhe zu tragen. Wenn die Konstruktion ist abgeschlossen, muss der Schalter vor dem Verlassen ausgeschaltet werden.



Allgemeine Sicherheitshinweise für Elektrowerkzeuge – Elektrische Sicherheit

a) Der Stecker des Elektrowerkzeugs muss in die Steckdose passen. Verändern Sie den Stecker niemals in irgendeiner Weise. Verwenden Sie keine Adapterstecker mit geerdeten Elektrowerkzeugen. Unveränderte Stecker und passende Steckdosen verringern das Risiko eines Stromschlags.

- b) Vermeiden Sie Körperkontakt mit geerdeten Oberflächen wie Rohren, Heizkörpern, Herden und Kühlschränken. Es besteht ein erhöhtes Risiko eines elektrischen Schlags, wenn Ihr Körper
- c) Setzen Sie Elektrowerkzeuge nicht Regen oder Nässe aus. Wasser, das in ein Elektrowerkzeug eindringt, Werkzeug erhöht das Risiko eines Stromschlags.
- d) Missbrauchen Sie das Kabel nicht. Verwenden Sie das Kabel niemals zum Tragen, Ziehen oder Ausstecken des Elektrowerkzeug. Halten Sie das Kabel von Hitze, Öl, scharfen Kanten oder beweglichen Teilen fern. Beschädigte oder verwickelte Kabel erhöhen das Risiko eines elektrischen Schlags. e) Wenn Sie mit einem Elektrowerkzeug im Freien arbeiten, verwenden Sie ein Verlängerungskabel, das für Verwendung im Freien. Die Verwendung eines für den Außenbereich geeigneten Kabels verringert das Risiko eines elektrischen Schock.
- f) Wenn der Betrieb eines Elektrowerkzeugs in feuchter Umgebung unvermeidlich ist, verwenden Sie einen Fehlerstrom-Schutzschalter (GFCI) geschützte Stromversorgung. Die Verwendung eines GFCI verringert das Risiko von Stromschlag.



Allgemeine Sicherheitshinweise für Elektrowerkzeuge – Persönliche Sicherheit

- a) Bleiben Sie aufmerksam, achten Sie darauf, was Sie tun, und verwenden Sie Ihren gesunden Menschenverstand beim Bedienen eines Benutzen Sie kein Elektrowerkzeug, wenn Sie müde sind oder unter dem Einfluss von Drogen, Alkohol oder Medikamenten. Ein Moment der Unaufmerksamkeit beim Bedienen von Elektrowerkzeugen kann zu schweren Verletzungen führen. b) Verwenden Sie persönliche Schutzausrüstung. Tragen Sie immer eine Schutzbrille. Schutzausrüstung wie Staubmaske, rutschfeste Sicherheitsschuhe, Schutzhelm oder Gehörschutz Schutzvorrichtungen, die unter geeigneten Bedingungen verwendet werden, verringern Verletzungen. c) Vermeiden Sie unbeabsichtigtes Einschalten. Stellen Sie sicher, dass sich der Schalter in der Aus-Position befindet, bevor Anschließen an die Stromquelle und/oder den Akku, Aufnehmen oder Tragen des Werkzeugs. Das Tragen von Elektrowerkzeugen mit dem Finger am Schalter oder das Einschalten von Elektrowerkzeugen, Das Einschalten des Schalters führt zu Unfällen.
- d) Entfernen Sie vor dem Einschalten des Elektrowerkzeugs alle Einstellschlüssel oder Schraubenschlüssel. Ein in einem rotierenden Teil des Elektrowerkzeugs steckender Schraubenschlüssel oder Schlüssel kann zu
- e) Überstrecken Sie sich nicht. Achten Sie stets auf einen sicheren Stand und halten Sie das Gleichgewicht. Dadurch bessere Kontrolle über das Elektrowerkzeug in unerwarteten Situationen.

f) Ziehen Sie sich angemessen an. Tragen Sie keine weite Kleidung oder Schmuck. Halten Sie Ihre Haare und Kleidung von beweglichen Teilen fernhalten. Lose Kleidung, Schmuck oder lange Haare können von beweglichen Teilen erfasst

werden. g) Wenn Vorrichtungen für den Anschluss von Staubabsaug- und Staubsammeleinrichtungen vorhanden sind Stellen Sie sicher, dass diese angeschlossen und ordnungsgemäß verwendet werden. Die Verwendung von Staubabsaugung kann die staubbedingten Gefahren verringern.

h) Lassen Sie sich nicht durch häufigen Gebrauch von Werkzeugen verwöhnen.

nachlässig und ignorieren Sie die Sicherheitsgrundsätze für Werkzeuge. Eine unachtsame Handlung kann schwere Verletzungen innerhalb von Sekundenbruchteilen.

I) Dieses Produkt ist kein Spielzeug. Bewahren Sie es außerhalb der Reichweite von Kindern auf.

J) Benutzen Sie nur Sicherheitsausrüstung, die von einer entsprechenden

Nicht zugelassene Sicherheitsausrüstung bietet möglicherweise keine ausreichende

Schutz. Augenschutz muss ANSI-zugelassen sein und Atemschutz muss

für die spezifischen Gefahren im Arbeitsbereich von NIOSH zugelassen sein.

K) Legen Sie das Gerät erst ab, wenn es zum Stillstand gekommen ist. Bewegliche Teile können

Greifen Sie die Oberfläche und entziehen Sie dem Werkzeug die Kontrolle.

L) Halten Sie bei der Verwendung eines handgeführten Elektrowerkzeugs das Werkzeug mit beiden

Hände, um dem Anlaufdrehmoment standzuhalten.

M) Lassen Sie das Werkzeug nicht unbeaufsichtigt, wenn der Akku angeschlossen ist. Schalten Sie

das Werkzeug und entfernen Sie den Akku, bevor Sie gehen.

N) Personen mit Herzschrittmachern sollten vor der Verwendung ihren Arzt konsultieren.

Elektromagnetische Felder in der Nähe von Herzschrittmachern können

Herzschrittmacherstörungen oder Herzschrittmacherversagen.

O) Die in dieser Anleitung beschriebenen Warnungen, Vorsichtsmaßnahmen und Anweisungen

Das Handbuch kann nicht alle möglichen Bedingungen und Situationen abdecken, die auftreten können. Es muss

Der Bediener muss verstehen, dass gesunder Menschenverstand und Vorsicht Faktoren sind,

kann nicht in dieses Produkt eingebaut werden, sondern muss vom Betreiber bereitgestellt werden

Verwendung und Pflege von Elektrowerkzeugen

a) Überlasten Sie das Elektrowerkzeug nicht. Verwenden Sie für Ihre Anwendung das richtige Elektrowerkzeug.

Das richtige Elektrowerkzeug erledigt die Arbeit besser und sicherer bei der Leistung, für die es bestimmt ist.

b) Benutzen

Sie das Elektrowerkzeug nicht, wenn der Schalter nicht funktioniert.

Ein Werkzeug, das sich nicht mit dem Schalter steuern lässt, ist gefährlich und muss repariert werden.

- c) Ziehen Sie den Stecker aus der Steckdose und/oder entnehmen Sie den Akku, wenn vom Elektrowerkzeug abmontieren, bevor Sie Einstellungen vornehmen, den Zubehör oder Lagerung von Elektrowerkzeugen. Solche vorbeugenden Sicherheitsmaßnahmen verringern das Gefahr eines unbeabsichtigten Startens des Elektrowerkzeugs. d) Bewahren Sie unbenutzte Elektrowerkzeuge außerhalb der Reichweite von Kindern auf und lassen Sie Personen, die mit dem Elektrowerkzeug oder diesen Anweisungen nicht vertraut sind, sollten das Elektrowerkzeug nicht benutzen. Elektrowerkzeuge sind in den Händen von unerfahrenen Benutzern gefährlich.
- e) Warten Sie Elektrowerkzeuge und Zubehör gut. Überprüfen Sie, ob die bewegliche Teile, Bruch von Teilen und alle anderen Bedingungen, die die Leistung beeinträchtigen können Bei Beschädigungen muss das Elektrowerkzeug vor der Verwendung repariert werden. Viele Unfälle werden durch schlecht gewartete Elektrowerkzeuge verursacht.
- f) Halten Sie Schneidwerkzeuge scharf und sauber. Gut gewartete Schneidwerkzeuge mit scharfen Schneiden verklemmen sich weniger und sind leichter zu kontrollieren. g) Verwenden Sie Elektrowerkzeug, Zubehör und Werkzeuge usw. entsprechend diesen Anweisungen unter Berücksichtigung der Arbeitsbedingungen und der auszuführenden Arbeiten Verwendung des Elektrowerkzeugs für andere als die vorgesehenen Zwecke könnte zu einer gefährlichen Situation führen.
- h) Halten Sie Griffe und Greifflächen trocken, sauber und frei von Öl und Fett. Rutschige Griffe und Greifflächen ermöglichen keine sichere Handhabung und Kontrolle des Werkzeugs in unerwarteten Situationen.
- i) Bitte bestätigen Sie die Anzahl der Spannung Volt vor dem Gebrauch. Die Betriebsspannung beträgt nicht mehr als $\pm 5\%$. Wenn es mehr ist, führt es zu Motorbrand und Leckage Unfälle.
- j) Achten Sie beim Aufbau darauf, dass kein Wasser in den Motor eindringt oder Blockieren der Belüftungsöffnung, um die Wärmeableitungsleistung nicht zu beeinträchtigen des Motors und zum Durchbrennen des Motors führen.
- k) Bei der Stahlblechkonstruktion ist auf die Sicherheit der unteren Schicht von Personal und Gütern, Eisenträger und Säulenbohren, achten Sie auf die Sicherheit der Gebäudestruktur.
- L) Im Federungsbetrieb muss der Sicherheitsgurt fest angezogen sein und der Magnet Bohrer fixiert, um plötzlichen Stromausfall oder durch Unfälle verursachten Stromausfall zu verhindern.
- M) Schneiden Sie das Netzkabel nicht ab und wechseln Sie den Stecker nicht selbst. Dies führt dazu, dass das Maschine zum Durchbrennen.

Service

- a) Lassen Sie Ihr Elektrowerkzeug nur von qualifiziertem Fachpersonal reparieren und verwenden Sie dazu Ersatzteile. Dadurch wird sichergestellt, dass die Sicherheit des Elektrowerkzeugs erhalten bleibt. b) In jedem Fall sollte es im Leerlauf gestartet werden. Es ist verboten, mit Belastung, um Schäden an der Maschine zu vermeiden. Achten Sie bitte auf die Stabilität der Magnetbohrmaschine bei Arbeiten in großer Höhe, um zu verhindern, dass die Maschine vor dem Herunterfallen. c) Stellen Sie sicher, dass das Erdungskabel zuverlässig geerdet ist. d) Beim Bewegen sollte die Magnetbohrmaschine angehoben werden, um Schäden am Magnetfuß. e) Bei der Wartung müssen die Originalteile verwendet werden, um die Maschine um den bestmöglichen Nutzungszustand zu erreichen.
- f) Bewahren Sie Etiketten und Typenschilder am Werkzeug auf. Diese tragen wichtige Informationen. Wenn diese unleserlich sind oder fehlen, wenden Sie sich für Ersatz an VEVOR.



Vibrationssicherheit

Dieses Werkzeug vibriert während des Gebrauchs. Wiederholte oder langfristige Vibrationen können vorübergehende oder dauerhafte körperliche Verletzungen verursachen, insbesondere an Händen, Armen und Schultern. So verringern Sie das Risiko vibrationsbedingter Verletzungen:

- a. Wer regelmäßig oder über einen längeren Zeitraum vibrierende Werkzeuge benutzt, sollte zuerst von einem Arzt untersucht werden und dann regelmäßige medizinische Kontrollen durchführen lassen, um sicherzustellen, dass Probleme werden durch den Gebrauch nicht verursacht oder verschlimmert. Schwangere oder Menschen bei Durchblutungsstörungen der Hand, früheren Handverletzungen, nervösen Systemstörungen, Diabetes oder Raynaud-Krankheit sollten dieses Tool nicht verwenden. Wenn Sie Symptome im Zusammenhang mit Vibrationen (wie Kribbeln, Taubheit und weiße oder blaue Finger), suchen Sie so schnell wie möglich einen Arzt auf. b. Rauchen Sie während der Anwendung nicht. Nikotin reduziert die Blutzufuhr zu den Händen und Finger, wodurch das Risiko von vibrationsbedingten Verletzungen steigt. c. Tragen Sie geeignete Handschuhe, um die Auswirkungen der Vibrationen auf das d. Verwenden Sie nach Möglichkeit Werkzeuge mit der geringsten Vibration.
- e. Planen Sie an jedem Arbeitstag vibrationsfreie Zeiträume ein.
- f. Halten Sie das Werkzeug so locker wie möglich (und behalten Sie dabei die sichere Kontrolle). Lassen Sie das Werkzeug mach die Arbeit.

g. Um Vibrationen zu reduzieren, warten Sie das Werkzeug wie in diesem Handbuch beschrieben.

Wenn ungewöhnliche Vibrationen auftreten, stellen Sie die Verwendung sofort ein.



Erdungssicherheit

UM ELEKTRISCHE SCHLÄGE UND TOD DURCH FALSCHES

ERDUNG: Wenden Sie sich an einen qualifizierten Elektriker, wenn Sie Zweifel haben, ob

die Steckdose ordnungsgemäß geerdet ist. Verändern Sie den mitgelieferten Netzstecker nicht.

das Ladegerät. Verwenden Sie das Ladegerät nicht, wenn das Netzkabel oder der Stecker beschädigt ist.

beschädigt ist, lassen Sie es vor der Verwendung von einer Servicestelle reparieren. Wenn der Stecker nicht passt

Steckdose, lassen Sie von einem qualifizierten Elektriker eine geeignete Steckdose installieren.

MODELL UND PARAMETER

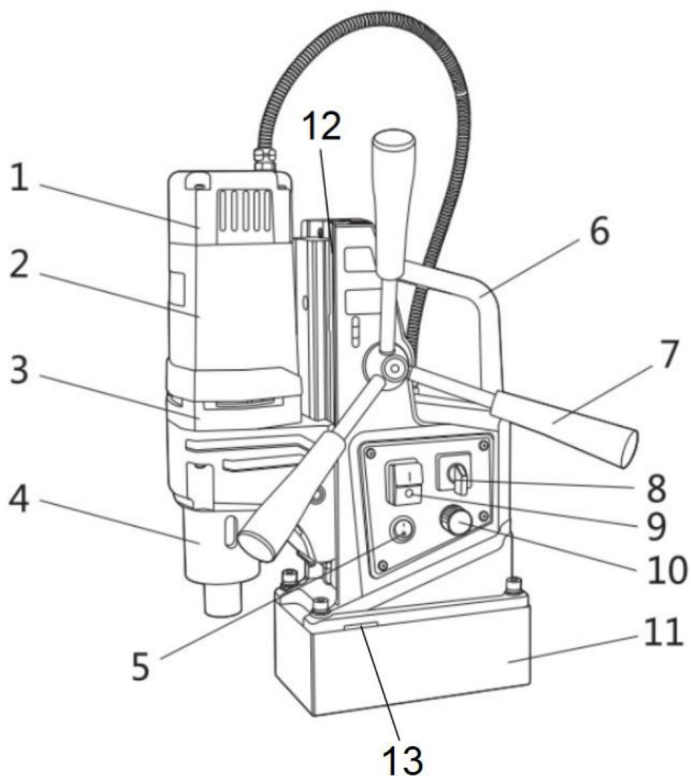
EINGANG: AC 230 V 50 Hz (EUR/AUS)

Modell	ZT-40H ZT-45H MD-50 MDP-50			
Lochdurchmesser (Hohl Bohrer)(mm)	∅40mm	∅40mm	∅50mm	∅50mm
Spiralbohrer für frittierten Teig Durchmesser (mm)	∅3-∅16	∅3-∅16	∅3-∅16	∅3-∅16
Gewindebohrdurchmesser (mm)	/	3-16	3-16	/
Bohrtiefe (mm)	50	50	50	50
Magnetische Anziehung (N)	12500	12500	13000	12800
Geschwindigkeit (U/min)	850	0-830 U/min (Vorderachse) 0-800 U/min (NEU)	0-570 0-850 U/min (Vorderachse) 0-800 U/min (NEU)	
Fahrt (mm)	220	220	210	220
Eingang	AC 230 V 50 Hz (EUR/AUS)			
Leistung (W)	1450	1450	1600	1450
Sicherung(A)	15			
Drehrichtung	Weiter Weiter/ Umkehren		Weiter Weiter/ Umkehren	

EINGANG: AC 120 V 60 Hz (USA)

Modell	ZT-40H ZT-45H		MD-50 MDP-50	
Lochdurchmesser (Hohl Bohrer)(mm)	ÿ40mm ÿ40mm ÿ50mm ÿ50mm			
Spiralbohrer für frittierten Teig Durchmesser (mm)	ÿ3-ÿ16 ÿ3-ÿ16 ÿ3-ÿ16 ÿ3-ÿ16			
Gewindebohrdurchmesser (mm)	/	3-16	/	3-16
Bohrtiefe (mm)	50	50	50	50
Magnetische Anziehung (N)	12500	12500	13000	12800
Geschwindigkeit (U/min)	850	0-800 U/min (Vorderachse) 0-770 U/min (NEU)	0-570 0-800 U/min (Vorderachse) 0-750 U/min (NEU)	
Fahrt (mm)	220	220	210	220
Eingang	Wechselstrom 120ÿV, 60ÿHz (USA)			
Leistung (W)	1450	1450	1600	1450
Sicherung(A)	15			
Drehrichtung	Weiter Weiter/ Umkehren		Weiter Weiter/ Umkehren	

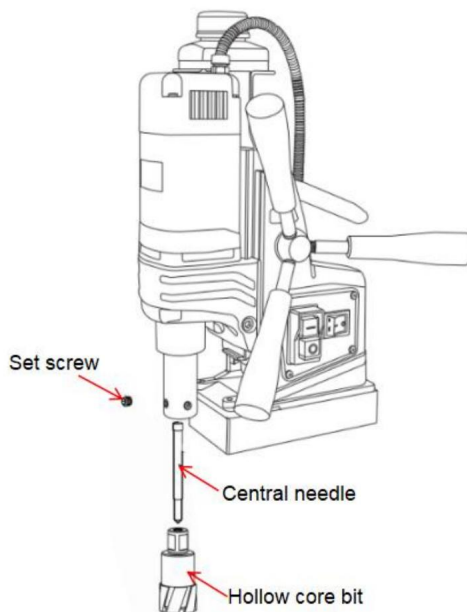
STRUKTURDIAGRAMM



**Die Tasten auf dem Bedienfeld einiger Maschinenmodelle können unterschiedlich sein.
Detaillierte Informationen finden Sie beim tatsächlichen Produkt.**

- | | |
|------------------------------|--------------------------------|
| 1. Hintere Abdeckung | 2. Fahrwerk |
| 3. Mittlere Abdeckung | 4. Getriebe |
| 5. Elektromagnetschalter | 6. Griff |
| 7. Steuerstange | 8. Vorwärts-/Rückwärtsschalter |
| 9. Netzschalter | 10. Drehzahlregulierknopf |
| 11. Elektromagnetische Basis | 12. Spur |
| 13. Sicherheitsgurtschlaufe | |

BEDIENUNG UND VERWENDUNG



1. Der Bohrer muss scharf sein. Führen Sie beim Einbau des Hohlbohrers die Mittelnadel in den Hohlbohrer ein, montieren Sie den Hohlbohrer auf der Ausgangswelle und ziehen Sie abschließend die Befestigungsschraube fest, um den Hohlbohrer zu sichern.

2. Platzieren Sie die Magnetbohrmaschine in der Nähe der gewünschten Bohrposition, stecken Sie den Netzstecker ein, richten Sie den Bohrer auf die Bearbeitungsposition aus und schalten Sie dann den Schalter des Elektromagneten ein, damit der Elektromagnet von der Oberfläche des magnetischen Materials wie Stahl aufgenommen werden kann. (Plattendicke mehr als 15 mm)

(Achten Sie auf die Auswahl geeigneter Adsorptionsmaterialien und stellen Sie sicher, dass sich keine Ablagerungen auf der Adsorptionsoberfläche befinden. Prüfen Sie, ob die Magnetkraft normal ist.)

3. Bei seitlichen oder von oben erfolgenden Arbeiten sollte die Maschine mit einem Sicherheitsgurt gesichert werden.

4. Fädeln Sie ein Ende des Sicherheitsgurts in das Griffloch des Rahmens ein, binden Sie das andere Ende an den starken Rahmen und schnallen Sie ihn dann in die Verschlüsse ein

(Versuchen Sie, mit der Hand zu ziehen. Es darf sich nicht lösen oder verschieben.)

5. Schalten Sie den Netzschalter ein, um zu prüfen, ob der Bohrer schlägt und das Geräusch ist stabil. Wenn alles normal ist, öffnen Sie zuerst das Wasserventil, damit die Schneidflüssigkeit im Öl kann abfließen, und dann drehen Sie den Griff, um zu füttern

(Hinweis: Bei Arbeiten an der Seite und an der Oberseite das Wasserventil nicht öffnen)

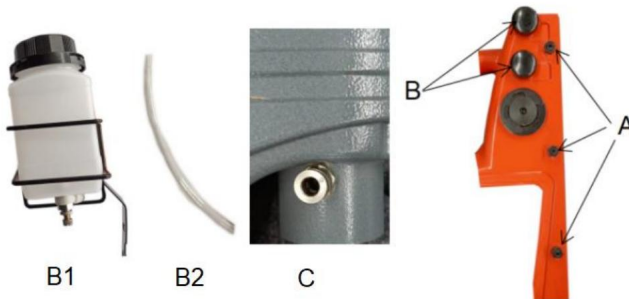
6. Der Vorschub sollte zunächst langsam erfolgen. Übertreiben Sie es nicht, da es sonst zu einer Überlastung kommen kann.

7. Wenn der Motor plötzlich stoppt oder aufgrund einer Störung stecken bleibt, muss der Bohrer-Steuerschalter 9 muss sofort ausgeschaltet werden (Hinweis: Elektromagnetschalter 5 nicht ausschalten).

Nach kontinuierlicher Verwendung für 2-3 Stunden müssen Sie sich ausruhen, um zu verhindern, dass die Der elektromagnetische Sitz kann durch Überhitzung durchbrennen.

8. Wenn die Kohlebürste abgenutzt ist, ersetzen Sie sie bitte rechtzeitig (beide sollten gleichzeitig ausgetauscht werden).

Abkühlen und Anpassen der Strecke



1. Befestigen Sie B1 an B und verbinden Sie dann B2 mit B1 und C.

2. Drehen Sie den Joystick, um zu bestimmen, ob die Spannung der Schiene den Bohranforderungen. Wenn die Dichtheit nicht optimal ist, können Sie sie mit dem offenen Schraubenschlüssel und Inbusschlüssel im Aufsatz.

a) Lösen Sie die Sechskantmutter an Stelle A mit einem Maulschlüssel. b)

Stellen Sie mit dem Sechskantschlüssel die Stellschraube an Stelle A ein und drehen Sie den Joystick 7 gleichzeitig zu spüren, ob die Spannung der Schiene den Idealzustand erreicht

c) Nach

der Einstellung die Sechskantmutter bei A mit dem Gabelschlüssel festziehen.

Hinweis: Die Spannung der Schiene wurde vor Verlassen des Werks eingestellt. Wenn

Es gab keine starken Vibrationen, Stürze oder andere Bedingungen. Bitte nehmen Sie keine Anpassungen vor.

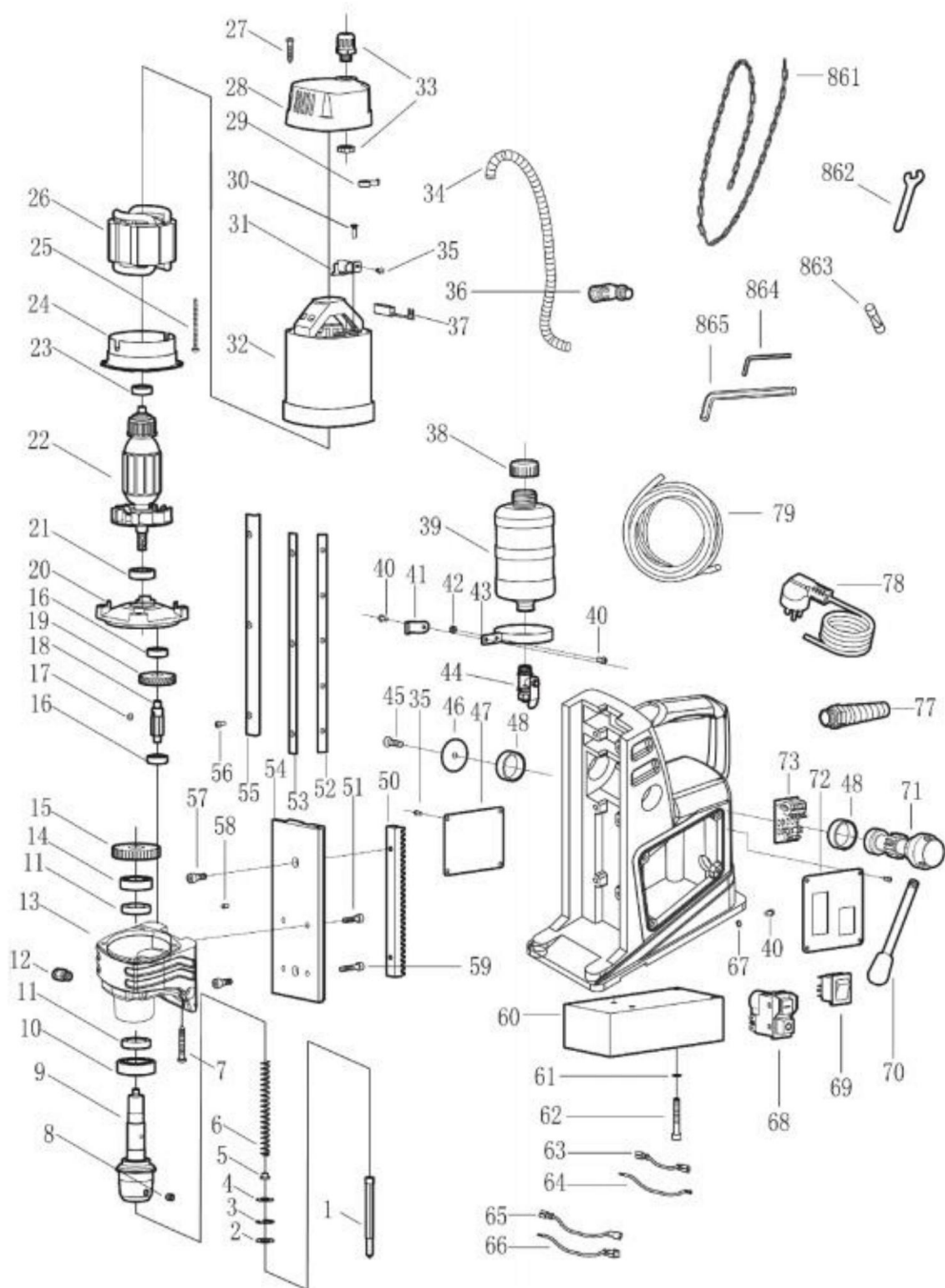
Anleitung zur Fehlerbehebung

Problem	Grund	Lösung
Magnethalter hat keine Saugen.	Schlechter Schaltkontakt.	Schalter reparieren.
	Der Strom ist aus.	Reparatur der Stromversorgung
	Die Sicherung ist durchgebrannt.	Ersetzen Sie die Sicherung
	Elektromagnet kurz Kurzschluss oder Durchbrennen.	Reparieren oder ersetzen Sie das Magnetfuß.
	Es wird nicht adsorbiert auf Stahlteile.	Ändern oder verdicken Sie die Adsorptionsfläche (Dicke > 15 mm).
Die Maschine funktioniert nicht nachdem die Stromversorgung eingeschaltet ist.	Schlechter Schaltkontakt.	Schalter reparieren.
	Stecker locker.	Anschließen der Stromversorgung
	Die Bürste funktioniert nicht Kontaktieren Sie den Kommutator.	Ersetzen Sie die Bürste.
Magnetische Sitzabsaugung ist schwach.	Das adsorbierte Werkstück ist zu dünn.	Ändern oder verdicken Sie die Adsorptionsfläche (Dicke > 15 mm).
	Kleine adsorbierbare Oberfläche.	Ändern Sie die Adsorption Oberfläche oder vorübergehend Schweißen Sie die dicke Adsorption
Elliptische Löcher erscheinen in die Bohrlöcher.	Die Vibration verursachte den Befestigungselement zu lösen.	Den Verschluss festziehen, nachdem Korrektur der Vertikalität.
	Der Bohrer schneidet nur auf einer Seite.	Nachsleifbohrer.
	Es gibt Trümmer auf dem Adsorptionsfläche.	Beseitigen Sie Unordnung.

WARTUNG UND LAGERUNG

HINWEIS: Bitte entfernen Sie vor der Wartung den Stecker.

1. Reinigen Sie nach jedem Gebrauch die Unterseite der Magnetsitzbohrmaschine und bewahren Sie sie ordnungsgemäß auf.
2. Bitte buttern Sie die Schiene rechtzeitig, wenn das Gleiten nicht reibungslos verläuft.
3. Bitte überprüfen Sie regelmäßig die elektrische Schutzeinrichtung.
4. Ob die Erdung zuverlässig ist.
5. Bitte checken Sie während der Regenzeit rechtzeitig ein.



KOMPONENTENVERGLEICHSTABELLE

NEIN.	Name	NEIN.	Name	NEIN.	Name
1	Zentralnadel	29	Schraubenfeder	57	Schraube M6 x 6
2	Gummiunterlage	30	Blechschaube ST2.9 x 9,5	58	Zylinderstift x 10
3	Elastischer Sicherungsring 19	31	Bürstenhalter Komponente	59	Schraube M5x25
4	Dichtung	32	Nylon-Kabelbefestigung Kopfkomponente	60	Elektromagnet
5	Federstecker	33	Schlauch	61	Federdichtung 6
6	Frühling	34	Schraube m4x6	62	Bolzen M6 x 40
7	Blechschaube ST4.8 x 40	35	Winkel-Kabelhalter Komponente	63	Kabel 2 anschließen
8	Innensechskant Schraube M8 x 8	36	Kohlebürste	64	Kabel 3 anschließen
9	Ausgangsachse	37	Ölkannendeckel	65	Kabel 1 anschließen
10	Lager 6004	38	Ölkanne	66	Kabel 4 anschließen
11	Dichtring	39	Schraube M4x10	67	Dichtung 4
12	APC-Stecker R1/8	40	Kabelbefestigungsplatte	68	Elektromagnetisch schalten
13	Untersetzungsgetriebe	41	Mutter M4	69	Schwenkplattenschalter
14	Lager 6003	42	Ölkannenhaltering 70		Stangenkomponente
15	4# Gang	43	Wasserventil Bauteil G1/4	71	Zahnstangenwelle
16	Lager 608	44	Schraube M6 x 20	72	Schalterbefestigungsplatte
17	Flachschlüssel 4 x 4 x 6	45	Dichtung	73	Leiterplatte
18	3# Getriebewelle	46	Typenschild	74	Schraube M5 x 16
19	2# Gang	47	Wellenring	75	Mutter M5

20	Mittlere Abdeckung	48	Schraubunterlage Kombination M6x16	76	Base
21	Lager 6001	49	Gestell	77	Schraubkabelbefestigung Kopf
22	Rotor	50	Schraube M5 x 20	78	Kabelstecker Stecker
23	Lager 608	51	Spurregulierschiene 79		PU-Schlauch
24	Windschutzring	52	Spurleiste A	861	Sicherheitsgurt
25	Blechschaube ST4 x 52	53	Führungsschienenplatte	862	Maulschlüssel 8mm
26	Stator	54	Spurstange B	863	Sicherung
27	Blechschaube ST4.2 x 25	55	Blechschaube ST2.9 x 9,5	864	Sechseckig offen Maulschlüssel 2,5mm
28	Hintere Abdeckung	56	Schraube M3 x 6	865	Sechseckig offen Maulschlüssel 4mm

VEVOR[®]

TOUGH TOOLS, HALF PRICE

Technischer Support und E-Garantie-Zertifikat

www.vevor.com/support

VEVOR[®]

TOUGH TOOLS, HALF PRICE

Assistance technique et certificat de garantie électronique www.vevor.com/support

FORET À BASE MAGNÉTIQUE

Modèle : ZT-40H/ZT-45H/MD-50/MDP-50

Nous continuons à nous engager à vous fournir des outils à des prix compétitifs.

« Économisez la moitié », « Moitié prix » ou toute autre expression similaire utilisée par nous ne représente qu'une estimation des économies que vous pourriez réaliser en achetant certains outils chez nous par rapport aux grandes marques et ne couvre pas nécessairement toutes les catégories d'outils que nous proposons.

Nous vous rappelons de bien vouloir vérifier soigneusement lorsque vous passez une commande chez nous si vous économisez réellement la moitié par rapport aux grandes marques.

VEVOR[®]

TOUGH TOOLS, HALF PRICE

FORET À BASE MAGNÉTIQUE

MANUEL D'UTILISATION

MODÈLE : ZT-40H/ZT-45H/MD-50/MDP-50



REMARQUE : les boutons du panneau de commande de certains modèles de machines peuvent être différents. Veuillez consulter le produit réel pour obtenir des informations détaillées.

BESOIN D'AIDE? CONTACTEZ-NOUS!

Vous avez des questions sur nos produits ? Vous avez besoin d'assistance technique ? N'hésitez pas à nous contacter :

Assistance technique et certificat de garantie électronique
www.vevor.com/support

Il s'agit de la notice d'utilisation d'origine. Veuillez lire attentivement toutes les instructions du manuel avant de l'utiliser. VEVOR se réserve le droit d'interpréter clairement notre manuel d'utilisation. L'apparence du produit dépend du produit que vous avez reçu. Veuillez nous excuser, nous ne vous informerons plus en cas de mise à jour technologique ou logicielle de notre produit.



DESCRIPTION DES SYMBOLES

Les symboles utilisés dans ce manuel sont destinés à vous avertir des risques possibles. Veuillez les lire attentivement. lisez les panneaux de sécurité et les instructions ci-dessous. Les avertissements eux-mêmes n'empêchent pas Les risques sont importants et ne peuvent se substituer aux méthodes appropriées visant à éviter les accidents.



Ce symbole, placé avant un commentaire de sécurité, indique un type de précaution, d'avertissement ou danger. Ignorer cet avertissement peut entraîner un accident. Pour réduire le risque de blessure, d'incendie ou électrocution, veuillez toujours suivre les recommandations ci-dessous.



AVERTISSEMENT - Pour réduire le risque de blessure, les utilisateurs doivent lire les instructions Lisez attentivement le manuel.

Veuillez vous référer à la section appropriée de ce manuel d'utilisation avant toute opération.



AVERTISSEMENT : Assurez-vous de porter des lunettes de protection, des masques anti-poussière et des gants lors de l'utilisation ce produit.



Ce produit est soumis aux dispositions de la directive européenne 2012/19/CE.

Le symbole représentant une poubelle à roulettes barrée indique que le produit nécessite collecte séparée des déchets dans l'Union européenne. Ce symbole s'applique à la produit et tous les accessoires marqués de ce symbole. Produits marqués comme tels ne peut pas être jeté avec les ordures ménagères normales mais doit être apporté dans un point de collecte pour le recyclage des appareils électriques et électroniques.



Cet appareil est conforme à la partie 15 des règles de la FCC. Son fonctionnement est soumis aux deux conditions suivantes : (1) Cet appareil ne doit pas provoquer d'interférences nuisibles, et (2) cet appareil doit accepter toute interférence reçue, y compris les interférences qui peut provoquer un fonctionnement indésirable.

CONSIGNES DE SÉCURITÉ



AVERTISSEMENT : Lisez tous les avertissements de sécurité, instructions, illustrations et

spécifications fournies avec cet outil électrique. Le non-respect de toutes les instructions répertoriées ci-dessous peut entraîner un choc électrique, un incendie et/ou des blessures graves.

Conservez tous les avertissements et instructions pour référence ultérieure.



Avertissements généraux de sécurité pour les outils électriques - Sécurité de la zone de travail

- a) Gardez la zone de travail propre et bien éclairée. Les zones encombrées ou sombres favorisent les accidents. b) N'utilisez pas d'outils électriques dans des atmosphères explosives, par exemple en présence de liquides, de gaz ou de poussières inflammables. Les outils électriques créent des étincelles qui peuvent s'enflammer la poussière ou les fumées.
- c) Gardez les enfants et les spectateurs à l'écart lorsque vous utilisez un outil électrique. peut vous faire perdre le contrôle. d) Avant de travailler pour attacher les poignets, les femmes doivent porter un bon chapeau de femme, les cheveux longs caché dans le chapeau, il est strictement interdit de porter des gants. Lorsque la construction est terminé, l'interrupteur doit être éteint avant de partir.



Avertissements généraux de sécurité pour les outils électriques - Sécurité électrique

- a) Les fiches des outils électriques doivent correspondre à la prise. Ne modifiez jamais la fiche de quelque façon que ce soit. N'utilisez pas d'adaptateurs avec des outils électriques reliés à la terre. Fiches non modifiées et des prises adaptées réduiront le risque de choc électrique.

b) Évitez tout contact du corps avec des surfaces reliées à la terre ou à la masse, telles que des tuyaux, des radiateurs, des cuisinières et des réfrigérateurs. Il existe un risque accru de choc électrique si votre corps est mis à la terre ou relié à la

masse. c) N'exposez pas les outils électriques à la pluie ou à l'humidité. L'eau pénétrant dans une prise électrique L'outil augmentera le risque de choc électrique.

d) Ne pas malmener le cordon. Ne jamais utiliser le cordon pour transporter, tirer ou débrancher l'outil électrique. Gardez le cordon à l'écart de la chaleur, de l'huile, des bords tranchants ou des pièces mobiles. Les cordons endommagés ou emmêlés augmentent le risque de décharge électrique. e) Lorsque vous utilisez un outil électrique à l'extérieur, utilisez une rallonge adaptée utilisation en extérieur. L'utilisation d'un cordon adapté à une utilisation en extérieur réduit le risque de choc électrique. choc.

f) Si l'utilisation d'un outil électrique dans un endroit humide est inévitable, utilisez un disjoncteur différentiel. alimentation protégée par un disjoncteur différentiel (GFCI). L'utilisation d'un GFCI réduit le risque choc électrique.



Avertissements généraux de sécurité pour les outils électriques - Sécurité personnelle

a) Restez vigilant, regardez ce que vous faites et faites preuve de bon sens lorsque vous conduisez un outil électrique. N'utilisez pas d'outil électrique lorsque vous êtes fatigué ou sous l'influence de drogues, alcool ou médicaments. Un moment d'inattention lors de l'utilisation d'outils électriques peut entraîner des blessures graves. b) Utilisez un équipement de protection individuelle. Portez toujours une protection pour les yeux. Protection des équipements tels qu'un masque anti-poussière, des chaussures de sécurité antidérapantes, un casque de sécurité ou des protections auditives

La protection utilisée dans des conditions appropriées réduira les blessures corporelles. c) Empêchez tout démarrage involontaire. Assurez-vous que l'interrupteur est en position d'arrêt avant connexion à la source d'alimentation et/ou à la batterie, prise ou transport de l'outil. Transporter des outils électriques avec le doigt sur l'interrupteur ou mettre sous tension des outils électriques qui avoir l'interrupteur allumé invite aux accidents.

d) Retirez toute clé de réglage ou de réglage avant de mettre l'outil électrique sous tension. Une clé ou une clé laissée attachée à une pièce rotative de l'outil électrique peut entraîner

e) Ne vous penchez pas trop en avant. Gardez toujours une bonne position et un bon équilibre. Cela permet meilleur contrôle de l'outil électrique dans des situations inattendues.

f) Habillez-vous correctement. Ne portez pas de vêtements amples ni de bijoux. Gardez vos cheveux et vêtements éloignés des pièces mobiles. Des vêtements amples, des bijoux ou des cheveux longs peuvent être pris dans des pièces mobiles. g)

Si des dispositifs sont prévus pour le raccordement de l'extraction et de la collecte des poussières installations, assurez-vous qu'elles sont connectées et utilisées correctement. Utilisation de dépoussiéreurs peut réduire les risques liés à la poussière.

h) Ne laissez pas la familiarité acquise grâce à l'utilisation fréquente des outils vous permettre de devenir complaisant et ignorer les principes de sécurité des outils. Une action négligente peut entraîner de graves blessure en une fraction de seconde.

I) Ce produit n'est pas un jouet. Tenir hors de portée des enfants.

J) Utilisez uniquement des équipements de sécurité approuvés par un organisme approprié.

agence de normalisation. Les équipements de sécurité non approuvés peuvent ne pas fournir une protection adéquate protection. La protection des yeux doit être approuvée par l'ANSI et la protection respiratoire doit être approuvé par le NIOSH pour les dangers spécifiques de la zone de travail.

K) Ne posez pas l'outil tant qu'il n'est pas complètement arrêté. Les pièces mobiles peuvent saisissez la surface et retirez l'outil hors de votre contrôle.

L) Lorsque vous utilisez un outil électrique portatif, maintenez une prise ferme sur l'outil avec les deux mains pour résister au couple de démarrage.

M) Ne laissez pas l'outil sans surveillance lorsque la batterie est connectée. Éteignez l'outil et retirez la batterie avant de partir.

N) Les personnes portant un stimulateur cardiaque doivent consulter leur(s) médecin(s) avant utilisation. Les champs électromagnétiques à proximité du stimulateur cardiaque peuvent provoquer interférence ou défaillance du stimulateur cardiaque.

O) Les avertissements, précautions et instructions décrits dans cette instruction

Le manuel ne peut pas couvrir toutes les conditions et situations possibles qui peuvent se produire. Il doit être compris par l'opérateur que le bon sens et la prudence sont des facteurs qui ne peut pas être intégré à ce produit, mais doit être fourni par l'opérateur

Utilisation et entretien des outils électriques

a) Ne forcez pas l'outil électrique. Utilisez l'outil électrique adapté à votre application.

un outil électrique approprié fera le travail mieux et de manière plus sûre au rythme auquel il a été utilisé.

b) N'utilisez

pas l'outil électrique si l'interrupteur ne permet pas de l'allumer et de l'éteindre. Tout outil électrique un outil qui ne peut pas être contrôlé avec l'interrupteur est dangereux et doit être réparé.

- c) Débranchez la fiche de la source d'alimentation et/ou retirez la batterie, si détachable, de l'outil électrique avant d'effectuer des réglages, des changements accessoires ou le stockage des outils électriques. De telles mesures de sécurité préventives réduisent le risque de démarrage accidentel de l'outil électrique. d)
- Rangez les outils électriques inutilisés hors de portée des enfants et ne laissez pas les personnes ne sont pas familières avec l'outil électrique ou ces instructions pour utiliser l'outil électrique. Les outils électriques sont dangereux entre les mains d'utilisateurs non formés. e)
- Entretenez les outils électriques et les accessoires. Vérifiez qu'ils ne sont pas mal alignés ou coincés. pièces mobiles, bris de pièces et toute autre condition pouvant affecter la puissance fonctionnement de l'outil électrique. S'il est endommagé, faites réparer l'outil électrique avant de l'utiliser. les accidents sont causés par des outils électriques mal entretenus.
- f) Gardez les outils de coupe bien aiguisés et propres. Des outils de coupe bien entretenus et bien aiguisés les bords tranchants sont moins susceptibles de se coincer et sont plus faciles à contrôler. g) Utilisez l'outil électrique, les accessoires et les embouts d'outils, etc. conformément à ces instructions, en tenant compte des conditions de travail et des travaux à effectuer effectué. Utilisation de l'outil électrique pour des opérations différentes de celles prévues pourrait entraîner une situation dangereuse.
- h) Gardez les poignées et les surfaces de préhension sèches, propres et exemptes d'huile et de graisse. Les poignées et les surfaces de préhension glissantes ne permettent pas une manipulation et un contrôle sûrs de l'outil dans des situations inattendues.
- i) Veuillez confirmer le nombre de volts de tension avant utilisation. La tension de fonctionnement est pas plus de $\pm 5\%$. Si c'est plus que ça, cela provoquera un brûlage du moteur et des fuites accidents.
- j) Pendant la construction, veillez à éviter que de l'eau ne pénètre dans le moteur ou bloquer le trou de ventilation, afin de ne pas réduire les performances de dissipation de la chaleur du moteur et provoquer son arrêt.
- k) Dans la construction en tôle d'acier, veuillez prêter attention à la sécurité de la partie inférieure couche de personnel et de marchandises, perçage de poutres et de colonnes en fer, faites attention à la sécurité de la structure du bâtiment.
- L) En fonctionnement en suspension, la ceinture de sécurité doit être bien serrée et le système magnétique perceuse fixée pour éviter une panne de courant soudaine ou une panne de courant causée par des accidents.
- M) Ne coupez pas le cordon d'alimentation et ne changez pas la fiche vous-même. Cela provoquerait machine à griller.

Service

- a) Faites entretenir votre outil électrique par un réparateur qualifié utilisant uniquement des pièces identiques. pièces de rechange. Cela permettra de garantir la sécurité de l'outil électrique. b) Dans tous les cas, il doit être démarré à vide. Il est interdit de démarrer avec charge, afin d'éviter d'endommager la machine. Veuillez prêter attention à la stabilité de la perceuse magnétique lors de travaux à haute altitude, afin d'éviter que la machine
- c) Assurez-vous que le câble de terre est correctement mis à la terre. d) Lors du déplacement, la perceuse magnétique doit être soulevée pour éviter d'endommager la base magnétique. e) Dans l'entretien, il faut utiliser les pièces d'origine, afin de rendre la machine pour atteindre le meilleur état d'utilisation.
- f) Conservez les étiquettes et les plaques signalétiques sur l'outil. Elles comportent des consignes de sécurité importantes. informations. Si elles sont illisibles ou manquantes, contactez VEVOR pour un remplacement.



Sécurité contre les vibrations

Cet outil vibre pendant son utilisation. Une exposition répétée ou prolongée aux vibrations peut causer des blessures physiques temporaires ou permanentes, en particulier aux mains, aux bras et épaules. Pour réduire le risque de blessures liées aux vibrations :

- a. Toute personne utilisant des outils vibrants régulièrement ou pendant une période prolongée doit d'abord être examiné par un médecin et subir ensuite des contrôles médicaux réguliers pour garantir la santé les problèmes ne sont pas causés ou aggravés par l'utilisation. Les femmes enceintes ou les personnes qui ont une circulation sanguine altérée dans la main, des blessures antérieures à la main, des troubles nerveux troubles du système nerveux, diabète ou maladie de Raynaud ne doivent pas utiliser cet outil. Si vous ressentez des symptômes liés aux vibrations (tels que des picotements, des engourdissements et des sensations blanches ou doigts bleus), consultez un médecin dès que possible. b. Ne fumez pas pendant l'utilisation. La nicotine réduit l'apport sanguin aux mains et doigts, augmentant le risque de blessures liées aux vibrations. c. Portez des gants adaptés pour réduire les effets des vibrations sur l'utilisateur d. Utilisez des outils produisant le moins de vibrations lorsque vous avez le choix. e. Inclure des périodes sans vibrations chaque jour de travail. f. Saisissez l'outil aussi légèrement que possible (tout en gardant un contrôle sûr de celui-ci). Laissez l'outil faire le travail.

g. Pour réduire les vibrations, entretenez l'outil comme expliqué dans ce manuel. Si des vibrations se produisent, des vibrations anormales se produisent, arrêtez immédiatement l'utilisation.



Sécurité de la mise à la terre

POUR ÉVITER LES CHOCS ÉLECTRIQUES ET LES DÉCÈS RÉSULTANT D'UNE INSTRUCTION INCORRECTE

MISE À LA TERRE : vérifiez auprès d'un électricien qualifié si vous avez des doutes quant à la mise à la terre. la prise est correctement mise à la terre. Ne modifiez pas la fiche du cordon d'alimentation fourni avec le chargeur. N'utilisez pas le chargeur si le cordon d'alimentation ou la fiche est endommagé. endommagé, faites-le réparer par un centre de service avant utilisation. Si la prise ne s'adapte pas à la prise de courant, faites installer une prise de courant appropriée par un électricien qualifié.

MODÈLE ET PARAMÈTRES

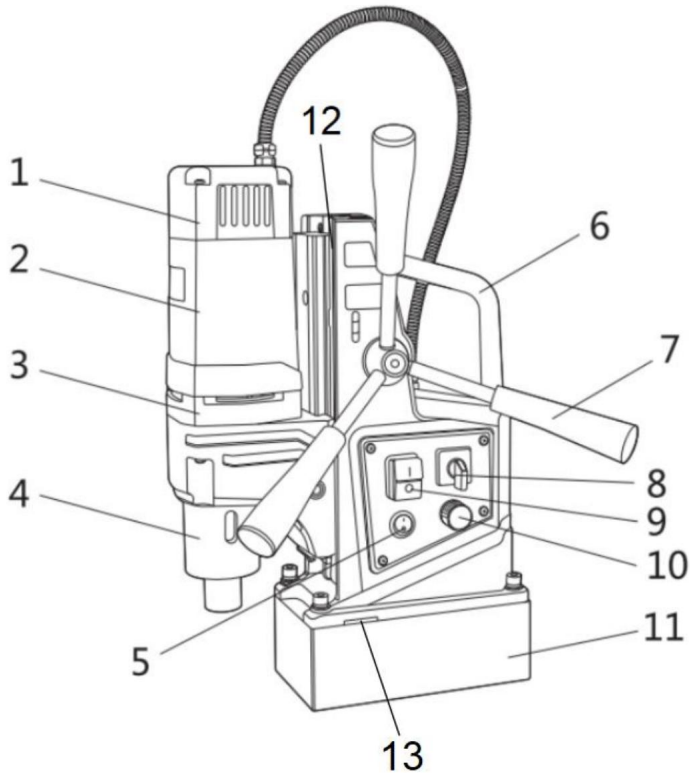
ENTRÉE : CA 230 V 50 Hz (EUR/AUS)

Modèle	ZT-40H ZT-45H MD-50 MDP-50			
Diamètre du trou (creux foret) (mm)	Φ40mm	Φ40mm	Φ50mm	Φ50mm
Foret hélicoïdal pour pâte frite diamètre (mm)	Φ3-Φ16	Φ3-Φ16	Φ3-Φ16	Φ3-Φ16
Diamètre de taraudage (mm)	/	3-16	3-16	/
Profondeur de perçage (mm)	50	50	50	50
Attraction magnétique (N)	12500	12500	13000	12800
Vitesse (tr/min)	850	0-830 tr/min (Traction avant) 0-800 tr/min (TOUR)	0-570 0-850 tr/min (Traction avant)	0-800 tr/min (TOUR)
Déplacement (mm)	220	220	210	220
Saisir	CA 230 V 50 Hz (EUR/AUS)			
Puissance (W)	1450	1450	1600	1450
Fusible (A)	15			
Sens de rotation	En avant En avant/ Inverse		En avant En avant/ Inverse	

ENTRÉE : CA 120 V 60 Hz (États-Unis)

Modèle	ZT-40H	ZT-45H	MD-50	MDP-50
Diamètre du trou (creux foret) (mm)	Φ40mm	Φ40mm	Φ50mm	Φ50mm
Foret hélicoïdal pour pâte frite diamètre (mm)	Φ3-Φ16	Φ3-Φ16	Φ3-Φ16	Φ3-Φ16
Diamètre de taraudage (mm)	/	3-16	/	3-16
Profondeur de perçage (mm)	50	50	50	50
Attraction magnétique (N)	12500	12500	13000	12800
Vitesse (tr/min)	850	0-800 tr/min (Traction avant) 0-770 tr/min (TOUR)	0-570 0-800 tr/min (Traction avant) 0-750 tr/min (TOUR)	
Déplacement (mm)	220	220	210	220
Saisir	CA 120 V 60 Hz (États-Unis)			
Puissance (W)	1450	1450	1600	1450
Fusible (A)	15			
Sens de rotation	En avant En avant/ Inverse		En avant En avant/ Inverse	

SCHÉMA DE STRUCTURE

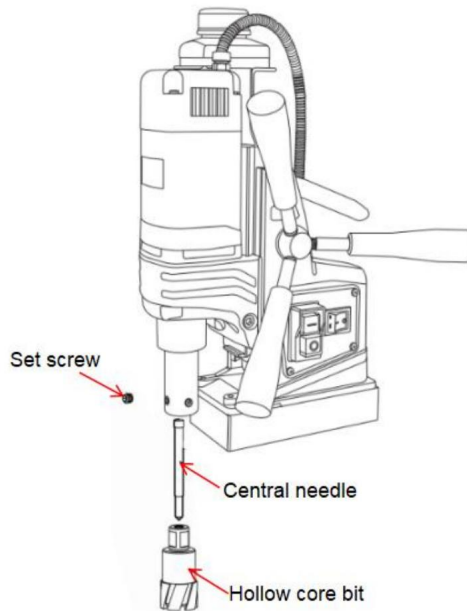


Les boutons du panneau de commande de certains modèles de machines peuvent être différents.

Veillez consulter le produit réel pour des informations détaillées.

- | | |
|--|--------------------------------------|
| 1. Couverture arrière | 2. Châssis |
| 3. Couverture intermédiaire | 4. Boîte de vitesses |
| 5. Interrupteur électromagnétique | 6. Poignée |
| 7. Tige de commande | 8. Interrupteur marche avant/arrière |
| 9. Interrupteur d'alimentation | 10. Bouton de réglage de la vitesse |
| 11. Base électromagnétique | 12. Piste |
| 13. Trou pour sangle de ceinture de sécurité | |

FONCTIONNEMENT ET UTILISATION



1. Le foret doit être bien aiguisé. Lors de l'installation du foret creux, insérez l'aiguille centrale dans le foret creux, installez le foret creux sur l'arbre de sortie et enfin, serrez la vis de fixation pour fixer le foret creux.
2. Placez la perceuse magnétique à proximité de la position de perçage requise, branchez la fiche d'alimentation, alignez le foret avec la position d'usinage, puis allumez l'interrupteur de l'électro-aimant afin que l'électro-aimant puisse être absorbé sur la surface des matériaux magnétiques tels que l'acier. (épaisseur de la plaque supérieure à 15 mm)
(Faites attention à la sélection de matériaux d'adsorption appropriés et assurez-vous qu'il n'y a pas de débris sur la surface d'adsorption, vérifiez si la force magnétique est normale).
3. La machine doit être attachée avec une ceinture de sécurité lors de travaux sur le côté ou sur le dessus.
4. Enfilez une extrémité de la ceinture de sécurité dans le trou de la poignée du cadre, attachez l'autre extrémité au cadre solide, puis attachez-la dans les attaches
(Essayez de tirer avec votre main, elle ne doit pas être lâche ni déplacée).

5. Allumez l'interrupteur d'alimentation pour vérifier si le foret bat et le son est stable. Si tout est normal, ouvrez d'abord la vanne d'eau pour que le liquide de coupe dans l'huile peut s'écouler, puis tournez la poignée pour alimenter

(Remarque : n'ouvrez pas le robinet d'eau lorsque vous travaillez en position latérale et supérieure)

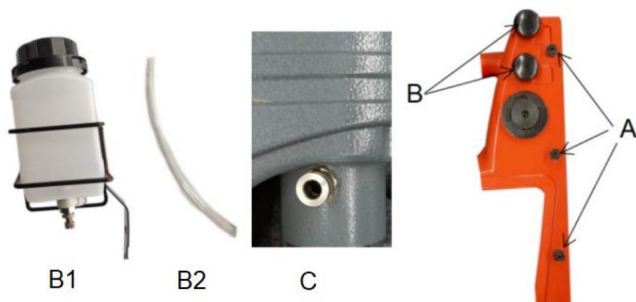
6. Au début, l'alimentation doit être lente. Ne forcez pas trop en cas de surcharge.

7. Si le moteur s'arrête soudainement ou se bloque en raison d'un défaut, l'interrupteur de commande de la perceuse 9 doit être éteint immédiatement (Remarque : ne pas éteindre l'interrupteur de l'électroaimant 5).

Après une utilisation continue pendant 2 à 3 heures, vous devez vous reposer pour éviter la siége électromagnétique contre la surchauffe.

8. Lorsque le balai de charbon est usé, veuillez le remplacer à temps (les deux devrait être remplacé en même temps).

REFROIDISSEMENT ET AJUSTEMENT DE LA PISTE



1. Fixez B1 à B, puis connectez B2 à B1 et C.

2. Tournez le joystick pour déterminer si le serrage de la piste correspond aux exigences de perçage. Si l'étanchéité n'est pas idéale, vous pouvez l'ajuster avec l'ouverture clé et la clé hexagonale dans l'accessoire.

a) Desserrez l'écrou hexagonal à l'emplacement A avec une clé plate. b)

Utilisez la clé hexagonale pour régler la vis de réglage à l'emplacement A et tournez le joystick de 7 simultanément pour sentir si l'étanchéité de la piste atteint l'état idéal de perçage.

c) Après réglage, serrer l'écrou hexagonal en A avec la clé plate.

Remarque : Le serrage de la piste a été réglé avant de quitter l'usine. Si

il n'y a pas eu de fortes vibrations, de chutes et d'autres conditions, veuillez ne pas régler.

INSTRUCTIONS DE DÉPANNAGE

Problème	Raison	Solution
Le support magnétique n'a pas succion.	Mauvais contact de l'interrupteur.	Réparer l'interrupteur.
	Le courant est coupé.	Réparer l'alimentation
	Le fusible a sauté.	Remplacer le fusible
	Électroaimant en court-circuit circuit ou griller.	Réparer ou remplacer le base magnétique.
	Il n'est pas adsorbé sur pièces en acier.	Changer ou épaissir le surface d'adsorption (épaisseur > 15mm).
La machine ne fonctionnera pas après la mise sous tension.	Mauvais contact de l'interrupteur.	Réparer l'interrupteur.
	Prise desserrée.	Connexion de l'alimentation
	La brosse ne contacter le commutateur.	Remplacer la brosse.
L'aspiration du siège magnétique est faible.	La pièce adsorbée est trop mince.	Changer ou épaissir le surface d'adsorption (épaisseur > 15mm).
	Petit adsorbable surface.	Changer l'adsorption superficiellement ou temporairement souder l'adsorption épaisse
Des trous elliptiques apparaissent dans les trous de forage.	La vibration a provoqué la attache à desserrer.	Serrez la fixation après correction de la verticalité.
	La perceuse ne coupe que sur un seul	Embout de réaffûtage.
	Il y a des débris sur le surface d'adsorption.	Supprimez l'encombrement.

ENTRETIEN ET STOCKAGE

REMARQUE : Veuillez retirer la fiche avant l'entretien.

1. Après chaque utilisation, nettoyez le fond du siège magnétique et conservez-le correctement.
2. Veuillez beurrer la piste à temps lorsque la glissière n'est pas lisse.
3. Veuillez vérifier régulièrement le dispositif de protection électrique.
4. Si la mise à la terre est fiable.
5. Veuillez vous enregistrer à temps pendant la saison des pluies.

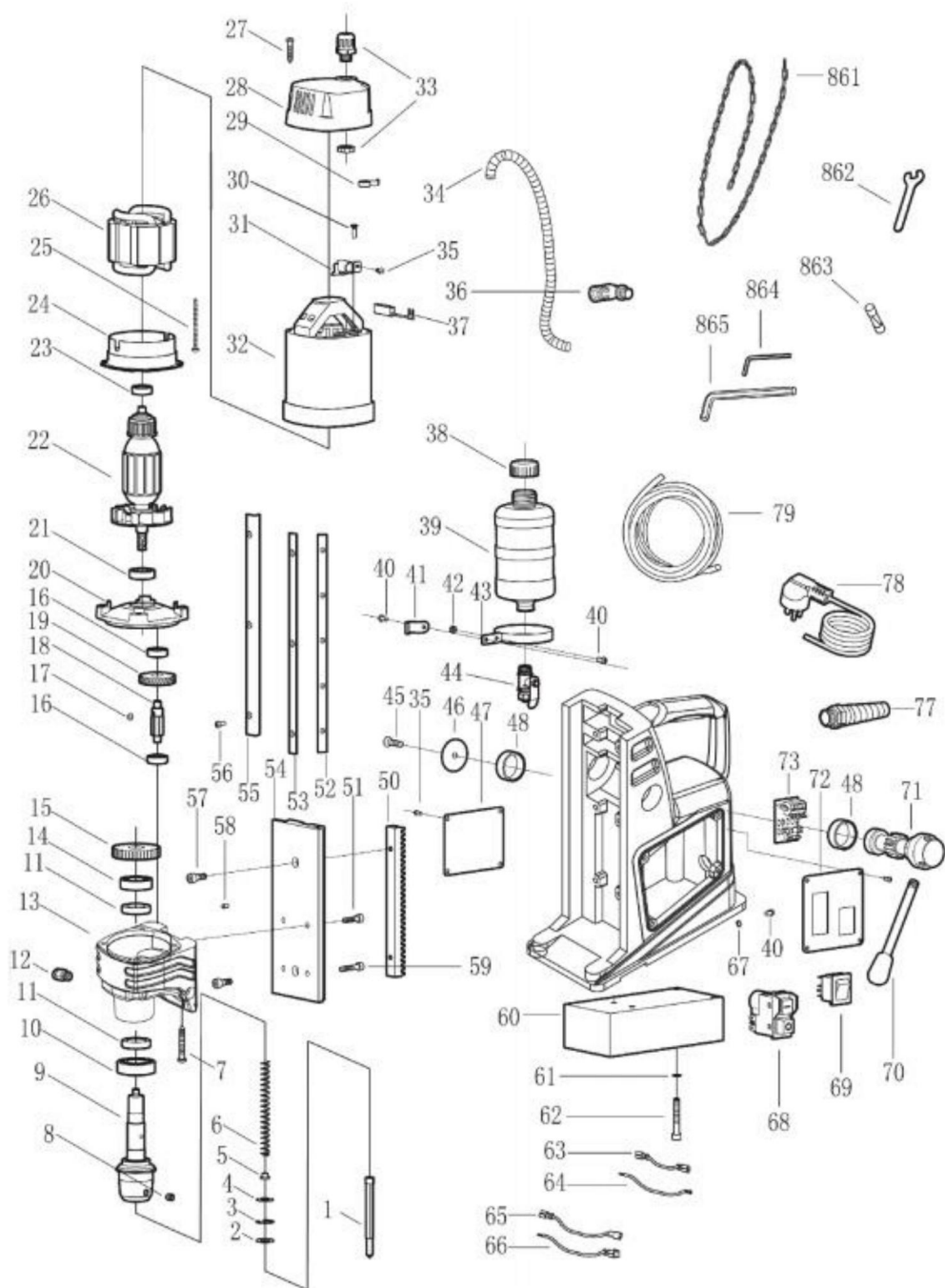


TABLEAU DE COMPARAISON DES COMPOSANTS

Non.	Nom	Non.	Nom	Non.	Nom
1	Aiguille centrale	29	Ressort hélicoïdal	57	Boulon M6 x 6
2	Tampon en caoutchouc	30	Vis autotaraudeuses ST2.9 x 9,5	58	Goupille cylindrique x 10
3	Bague de retenue élastique 19	31	Porte-balais composant	59	Boulon M5x25
4	Joint d'étanchéité	32	Fixation de câble en nylon composant de tête	60	Aimant électrique
5	Bouchon à ressort	33	Tuyau	61	Joint à ressort 6
6	Printemps	34	Boulon m4x6	62	Boulon M6 x 40
7	Vis autotaraudeuses ST4.8 x 40	35	Support de câble coudé composant	63	Connecter le fil 2
8	Douille hexagonale vis M8 x 8	36	Balais de charbon	64	Connecter le fil 3
9	Axe de sortie	37	Couvercle de bidon d'huile	65	Connecter le fil 1
10	Roulement 6004	38	Bidon d'huile	66	Connectez le fil 4
11	Bague d'étanchéité	39	Boulon M4x10	67	joint 4
12	Connecteur APC R1/8	40	Plaque de fixation de câble	68	Électromagnétique changer
13	Réducteur de vitesse	41	Écrou M4	69	Interrupteur à plaque pivotante
14	Roulement 6003	42	Bague de retenue pour bidon d'huile	70	Composant de tige
15	Engrenage 4#	43	Vanne d'eau composant G1/4	71	Arbre à crémaillère
16	Roulement 608	44	Boulon M6 x 20	72	Plaque de fixation d'interrupteur
17	Clé plate 4 x 4 x 6	45	Joint d'étanchéité	73	Circuit imprimé
18	Arbre à engrenages 3#	46	Plaque signalétique	74	Boulon M5 x 16
19	2# équipement	47	Bague d'arbre	75	Écrou M5

20	Couverture intermédiaire	48	Tampon à vis combinaison M6x16	76	Base
21	Roulement 6001	49	Étagère	77	Fixation de câble à vis tête
22	Rotor	50	Boulon M5 x 20	78	Connecteur de câble prise
23	Roulement 608	51	Barre de réglage de voie 79		Tuyau en PU
24	Bague pare-brise	52	Barre de suivi A	861	Ceinture de sécurité
25	Vis autotaraudeuses ST4 x 52	53	Plaque de rail de guidage	862	Clé plate 8mm
26	Stator	54	Barre de suivi B	863	Fusible
27	Vis autotaraudeuse ST4.2 x 25	55	Vis autotaraudeuse ST2.9 x 9,5	864	Hexagonale ouverte clé 2,5 mm
28	Couverture arrière	56	Boulon M3 x 6	865	Hexagonale ouverte clé 4mm

VEVOR[®]

TOUGH TOOLS, HALF PRICE

Assistance technique et certificat de garantie
électronique www.vevor.com/support

VEVOR[®]

TOUGH TOOLS, HALF PRICE

Technische ondersteuning en e-garantiecertificaat www.vevor.com/support

MAGNETISCHE BASISBOOR

Model: ZT-40H/ZT-45H/MD-50/MDP-50

Wij streven er voortdurend naar om u gereedschappen tegen concurrerende prijzen te leveren.

"Save Half", "Half Price" of andere soortgelijke uitdrukkingen die wij gebruiken, geven alleen een schatting van de besparingen die u kunt behalen door bepaalde gereedschappen bij ons te kopen in vergelijking met de grote topmerken en betekent niet noodzakelijkerwijs dat alle categorieën gereedschappen die wij aanbieden, worden gedekt. Wij herinneren u eraan om zorgvuldig te controleren of u daadwerkelijk de helft bespaart in vergelijking met de grote topmerken wanneer u een bestelling bij ons plaatst.

VEVOR[®]

TOUGH TOOLS, HALF PRICE

MAGNETISCHE BASISBOOR

GEbruikersHANDLEIDING

MODEL: ZT-40H/ZT-45H/MD-50/MDP-50



OPMERKING: De knoppen op het bedieningspaneel van sommige machinemodellen kunnen afwijken. Bekijk het echte product voor gedetailleerde informatie.

HULP NODIG? NEEEM CONTACT MET ONS OP!

Heeft u vragen over het product? Heeft u technische ondersteuning nodig? Neem dan gerust contact met ons op:

Technische ondersteuning en e-garantiecertificaat
www.vevor.com/support

Dit is de originele instructie, lees alle handleidingen zorgvuldig door voordat u het product gebruikt. VEVOR behoudt zich een duidelijke interpretatie van onze gebruikershandleiding voor. Het uiterlijk van het product is afhankelijk van het product dat u hebt ontvangen. Vergeef ons dat we u niet opnieuw zullen informeren als er technologie- of software-updates voor ons product zijn.



BESCHRIJVING VAN DE SYMBOLEN

De symbolen die in deze handleiding worden gebruikt, zijn bedoeld om u te waarschuwen voor de mogelijke risico's. Lees deze handleiding volledig door. lees de onderstaande veiligheidsborden en instructies. De waarschuwing zelf voorkomt niet dat de brengen risico's met zich mee en kunnen geen vervanging zijn voor goede methoden om ongelukken te voorkomen.



Dit symbool, geplaatst voor een veiligheidsopmerking, geeft een soort voorzorgsmaatregel, waarschuwing of gevaar. Het negeren van deze waarschuwing kan leiden tot een ongeluk. Om het risico op letsel, brand of Om elektrocutie te voorkomen, dient u altijd de onderstaande aanbevelingen op te volgen.



WAARSCHUWING - Om het risico op letsel te verminderen, moeten gebruikers de instructies lezen handleiding zorgvuldig door.

Raadpleeg het desbetreffende gedeelte in deze gebruikershandleiding voordat u met de bediening begint.



WAARSCHUWING: Draag bij gebruik oogbescherming, stofmaskers en handschoenen.

dit product.



Dit product is onderworpen aan de bepalingen van de Europese richtlijn 2012/19/EG.

symbool met een doorgekruiste afvalbak geeft aan dat het product moet worden afgevoerd

gescheiden afvalinzameling in de Europese Unie. Dit symbool geldt voor de

product en alle accessoires die met dit symbool zijn gemarkeerd. Producten die als zodanig zijn gemarkeerd

mag niet bij het normale huisvuil worden gegooid, maar moet naar een afvalverwerkingsbedrijf worden gebracht.

inzamelpunt voor het recyclen van elektrische en elektronische apparaten.



Dit apparaat voldoet aan Deel 15 van de FCC-regels. De werking is onderworpen aan de de volgende twee voorwaarden: (1) Dit apparaat mag geen schadelijke interferentie veroorzaken, en (2) Dit apparaat moet alle ontvangen interferentie accepteren, inclusief interferentie die kan een ongewenste werking veroorzaken.

VEILIGHEIDSINSTRUCTIES



WAARSCHUWING: Lees alle veiligheidswaarschuwingen, instructies, illustraties en

specificaties die bij dit elektrische gereedschap worden geleverd. Het niet opvolgen van alle vermelde instructies onderstaande instructies kunnen leiden tot een elektrische schok, brand en/of ernstig letsel.

Bewaar alle waarschuwingen en instructies voor toekomstig gebruik.



Algemene veiligheidswaarschuwingen voor elektrisch gereedschap - Veiligheid op de werkplek

a) Houd de werkplek schoon en goed verlicht. Rommelige of donkere ruimtes nodigen uit tot ongelukken. b) Gebruik geen elektrisch gereedschap in explosieve atmosferen, zoals in de aanwezigheid van van ontvlambare vloeistoffen, gassen of stof. Elektrisch gereedschap creëert vonken die kunnen ontbranden het stof of de dampen.

c) Houd kinderen en omstanders uit de buurt tijdens het bedienen van een elektrisch gereedschap. Aflleidingen kan ertoe leiden dat u de controle verliest. d)

Voordat u gaat werken, moet u de manchetten vastmaken. Vrouwen moeten een goede hoed dragen, lang haar verborgen in de hoed, is het ten strengste verboden om handschoenen te dragen. Wanneer de constructie is voltooid, moet de schakelaar worden uitgezet voordat u vertrekt.



Algemene veiligheidswaarschuwingen voor elektrisch gereedschap - Elektrische veiligheid

a) Stekkers van elektrisch gereedschap moeten passen bij het stopcontact. Wijzig de stekker nooit op welke manier dan ook. Gebruik geen adapterstekkers met gearde elektrische gereedschappen. Ongewijzigde stekkers en bijpassende stopcontacten verkleinen het risico op een elektrische schok.

b) Vermijd lichamelijk contact met geaarde oppervlakken, zoals leidingen, radiatoren, fornuizen en koelkasten. Er is een verhoogd risico op een elektrische schok als uw lichaam

is geaard of geaard. c) Stel elektrisch

gereedschap niet bloot aan regen of natte omstandigheden. Water dat een elektrisch apparaat binnendringt gereedschap verhoogt het risico op een elektrische schok.

d) Misbruik het snoer niet. Gebruik het snoer nooit om te dragen, te trekken of los te koppelen.

het elektrische gereedschap. Houd het snoer uit de buurt van hitte, olie, scherpe randen of bewegende delen.

Beschadigde of in de knoop geraakte snoeren vergroten het risico op een elektrische schok. e) Gebruik

bij het gebruik van elektrisch gereedschap buitenshuis een verlengsnoer dat geschikt is voor

buitengebruik. Het gebruik van een snoer dat geschikt is voor buitengebruik vermindert het risico op elektrische schok.

f) Als het onvermijdelijk is om een elektrisch gereedschap op een vochtige plaats te gebruiken, gebruik dan een aardlekschakelaar.

aardlekschakelaar (GFCI) beveiligde voeding. Het gebruik van een GFCI vermindert het risico op elektrische schok.



Algemene veiligheidswaarschuwingen voor elektrisch gereedschap - Persoonlijke veiligheid

a) Blijf alert, let op wat u doet en gebruik uw gezonde verstand bij het bedienen van een

elektrisch gereedschap. Gebruik geen elektrisch gereedschap als u moe bent of onder invloed van

drugs, alcohol of medicatie. Een moment van onoplettendheid tijdens het bedienen van elektrisch gereedschap

kan leiden tot ernstig persoonlijk letsel. b) Gebruik

persoonlijke beschermingsmiddelen. Draag altijd oogbescherming. Beschermende

uitrusting zoals een stofmasker, antislip veiligheidsschoenen, een helm of gehoorbescherming

bescherming die wordt gebruikt voor geschikte omstandigheden zal persoonlijk letsel verminderen. c) Voorkom

onbedoeld starten. Zorg ervoor dat de schakelaar in de uit-stand staat voordat

het aansluiten op een stroombron en/of accu, het oppakken of dragen van het gereedschap.

Het dragen van elektrisch gereedschap met uw vinger op de schakelaar of het van stroom voorzien van elektrisch gereedschap dat als de schakelaar aan staat, leidt dat tot ongelukken.

d) Verwijder alle afstelsleutels of steeksleutels voordat u het elektrische gereedschap inschakelt.

Een sleutel of een sleutel die aan een draaiend onderdeel van het elektrische gereedschap is bevestigd, kan leiden tot persoonlijk letsel. e)

Reik niet te ver. Zorg te allen tijde voor een goede voet en evenwicht. Dit maakt het mogelijk

betere controle over het elektrische gereedschap in onverwachte situaties.

- f) Kleed je goed. Draag geen losse kleding of sieraden. Houd je haar en kleding uit de buurt van bewegende delen. Losse kleding, sieraden of lang haar kunnen vast komen te zitten in bewegende delen. g) Indien er voorzieningen zijn voor de aansluiting van stofafzuiging en -opvang voorzieningen, zorg ervoor dat deze zijn aangesloten en correct worden gebruikt. Gebruik van stofafzuiging kan stofgerelateerde gevaren verminderen.
- h) Laat de vertrouwdheid die u hebt door het veelvuldig gebruiken van gereedschap niet ertoe leiden dat u zelfgenoegzaam en negeren de principes van gereedschapsveiligheid. Een onzorgvuldige handeling kan ernstige binnen een fractie van een seconde een verwonding oplopen.
- I) Dit product is geen speelgoed. Houd het buiten bereik van kinderen.
- J) Gebruik alleen veiligheidsuitrusting die is goedgekeurd door een bevoegde instantie, standaardbureau. Niet-goedgekeurde veiligheidsuitrusting biedt mogelijk niet voldoende bescherming. Oogbescherming moet ANSI-goedgekeurd zijn en ademhalingsbescherming moet NIOSH-goedgekeurd zijn voor de specifieke gevaren in het werkgebied.
- K) Leg het gereedschap niet neer voordat het volledig tot stilstand is gekomen. Bewegende delen kunnen Pak het oppervlak vast en trek het gereedschap uit uw macht.
- L) Houd bij het gebruik van een handgereedschap het gereedschap stevig vast met beide handen. handen om weerstand te bieden aan het startkoppel.
- M) Laat het gereedschap niet onbeheerd achter wanneer de accu is aangesloten. Schakel het apparaat uit het gereedschap en verwijder de batterij voordat u vertrekt.
- N) Mensen met een pacemaker dienen voor gebruik hun arts te raadplegen. Elektromagnetische velden in de directe nabijheid van een pacemaker kunnen leiden tot: Interferentie of falen van de pacemaker.
- O) De waarschuwingen, voorzorgsmaatregelen en instructies die in deze instructie worden besproken handleiding kan niet alle mogelijke omstandigheden en situaties dekken die zich kunnen voordoen. Het moet door de exploitant worden begrepen dat gezond verstand en voorzichtigheid factoren zijn die kan niet in dit product worden ingebouwd, maar moet door de exploitant worden geleverd

Gebruik en onderhoud van elektrisch gereedschap

- a) Forceer het elektrische gereedschap niet. Gebruik het juiste elektrische gereedschap voor uw toepassing. Het juiste elektrische gereedschap zal de klus beter en veiliger klaren in het tempo waarvoor het bedoeld is. ontworpen.
- b) Gebruik het elektrische gereedschap niet als de schakelaar het niet aan en uit zet. Alle elektrische Gereedschap dat niet met de schakelaar bediend kan worden, is gevaarlijk en moet gerepareerd worden.

- c) Haal de stekker uit het stopcontact en/of verwijder de batterij, indien nodig. afneembaar, van het elektrisch gereedschap voordat u aanpassingen maakt, accessoires, of het opbergen van elektrisch gereedschap. Dergelijke preventieve veiligheidsmaatregelen verminderen de risico dat het elektrische gereedschap per ongeluk wordt gestart. d) Bewaar elektrisch gereedschap dat niet wordt gebruikt buiten het bereik van kinderen en laat geen personen het gereedschap in de buurt van kinderen houden. onbekend zijn met het elektrisch gereedschap of deze instructies voor het bedienen van het elektrisch gereedschap niet kennen. Elektrisch gereedschap is gevaarlijk in de handen van ongetrainde gebruikers. e) Onderhoud elektrisch gereedschap en accessoires. Controleer op verkeerde uitlijning of vastlopen van bewegende delen, breuk van onderdelen en elke andere toestand die de kracht kan beïnvloeden tooTs werking. Als het gereedschap beschadigd is, laat het dan repareren voordat u het gebruikt. Veel Ongelukken worden veroorzaakt door slecht onderhouden elektrisch gereedschap.
- f) Houd snijgereedschappen scherp en schoon. Goed onderhouden snijgereedschappen met scherpe snijkanten lopen minder snel vast en zijn gemakkelijker te controleren. g) Gebruik het elektrische gereedschap, de accessoires en de gereedschapsbits etc. in overeenstemming met deze instructies, rekening houdend met de werkomstandigheden en de uit te voeren werkzaamheden uitgevoerd. Gebruik van het elektrisch gereedschap voor andere handelingen dan de beoogde kan leiden tot een gevaarlijke situatie.
- h) Houd handgrepen en grijpvlakken droog, schoon en vrij van olie en vet. Gladde handgrepen en grijpvlakken zorgen niet voor een veilige bediening en controle van het gereedschap in onverwachte situaties.
- i) Controleer het aantal volts voor gebruik. De werkspanning is niet meer dan $\pm 5\%$. Als het meer is, zal het leiden tot motorverbranding en lekkage ongelukken.
- j) Let er tijdens de constructie op dat er geen water in de motor of het blokkeren van het ventilatiegat, om de warmteafvoerprestaties niet te verminderen van de motor en ervoor zorgen dat deze doorbrandt.
- k) Bij de constructie met stalen platen moet u letten op de veiligheid van de onderste laag van personeel en goederen, ijzeren balk en kolom boren, let op de veiligheid van de constructie van het gebouw.
- L) Bij de vering moet de veiligheidsgordel strak vastzitten en de magneet moet boormachine vastgezet om plotselinge stroomuitval of stroomuitval door ongelukken te voorkomen.
- M) Knip het netsnoer niet door en vervang de stekker niet zelf. Dit kan de machine laten doorbranden.

Dienst

- a) Laat uw elektrisch gereedschap onderhouden door een gekwalificeerde reparateur die uitsluitend identieke gereedschappen gebruikt. vervangende onderdelen. Dit zorgt ervoor dat de veiligheid van het elektrische gereedschap behouden blijft. b) In ieder geval moet het in onbelaste toestand worden gestart. Het is verboden om te starten met belasting, om schade aan de machine te voorkomen. Let op de stabiliteit van de magneetboor bij werkzaamheden op grote hoogte, om te voorkomen dat de machine
- c) Zorg ervoor dat de aardingskabel goed geaard is. d) Bij het verplaatsen moet de magneetboormachine worden opgetild om schade aan de boor te voorkomen. magnetische basis. e) Bij het onderhoud moeten de originele onderdelen worden gebruikt, om de machine zo goed mogelijk te laten functioneren. om de beste gebruiksstatus te bereiken.
- f) Zorg voor labels en naamplaatjes op het gereedschap. Deze bevatten belangrijke veiligheidsinformatie. informatie. Indien onleesbaar of ontbrekend, neem dan contact op met VEVOR voor vervanging.



Trillingsveiligheid

Dit gereedschap trilt tijdens gebruik. Herhaalde of langdurige blootstelling aan trillingen kan tijdelijk of permanent lichamelijk letsel veroorzaken, met name aan de handen, armen en schouders. Om het risico op trillingsgerelateerd letsel te verminderen:

- a. Iedereen die regelmatig of gedurende een langere periode trillende gereedschappen gebruikt, moet eerst door een arts worden onderzocht en daarna regelmatig medische controles ondergaan om de medische toestand te garanderen problemen niet worden veroorzaakt of verergerd door gebruik. Zwangere vrouwen of mensen die een verstoorde bloedcirculatie naar de hand hebben, eerdere handblessures, zenuwaandoeningen systeemstoornissen, diabetes of de ziekte van Raynaud mogen deze tool niet gebruiken. Als u symptomen voelt die verband houden met trillingen (zoals tintelingen, gevoelloosheid en witte of blauwe vingers), zo snel mogelijk medisch advies inwinnen. b. Niet roken tijdens gebruik. Nicotine vermindert de bloedtoevoer naar de handen en vingers, waardoor het risico op trillingsgerelateerd letsel toeneemt. c. Draag geschikte handschoenen om de trillingseffecten op het gebruik te verminderen. d. Gebruik gereedschap met de laagste trillingen als de keuze er is.
- e. Zorg ervoor dat er op elke werkdag een periode is waarin er geen trillingen optreden.
- f. Pak het gereedschap zo licht mogelijk vast (maar houd het toch veilig onder controle). Laat het gereedschap doe het werk.

g. Om trillingen te verminderen, onderhoudt u het gereedschap zoals uitgelegd in deze handleiding. Als er als er abnormale trillingen optreden, stop dan onmiddellijk met het gebruik.



Aarding Veiligheid

OM ELEKTRISCHE SCHOKKEN EN DE DOOD DOOR ONJUISTE

AARDING: raadpleeg een gekwalificeerde elektricien als u twijfelt of

het stopcontact goed geaard is. Wijzig de meegeleverde stekker van het netsnoer niet.

de oplader. Gebruik de oplader niet als het netsnoer of de stekker beschadigd is. als

beschadigd is, laat het dan repareren door een servicecentrum voordat u het weer gebruikt. Als de stekker niet past, stopcontact, laat dan een goed stopcontact installeren door een gekwalificeerde elektricien.

MODEL EN PARAMETERS

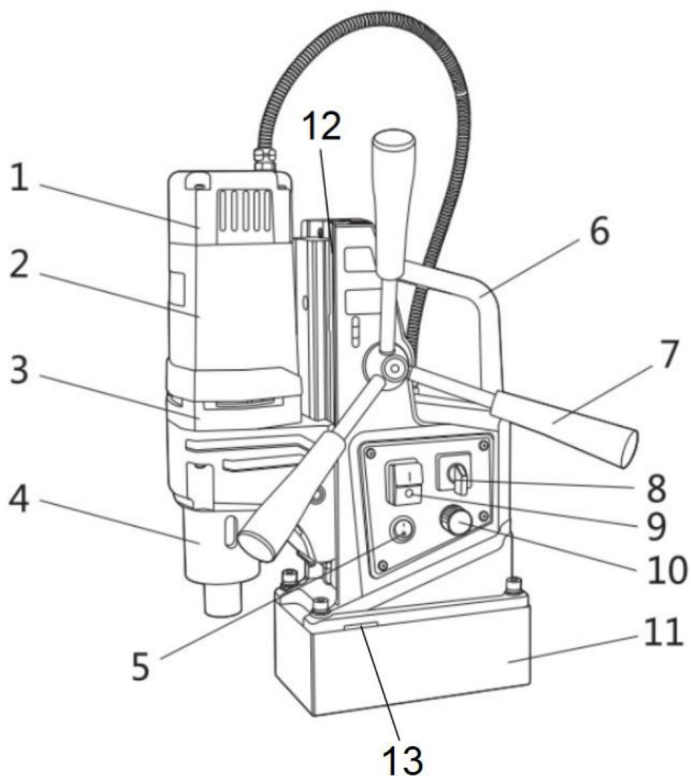
INGANG: AC 230V 50Hz (EUR/AUS)

Model	ZT-40H	ZT-45H	MD-50	MDP-50
Gatdiameter (hol boor)(mm)	∅40mm	∅40mm	∅50mm	∅50mm
Gebakken deeg draaiboor doorsnede (mm)	∅3-∅16	∅3-∅16	∅3-∅16	∅3-∅16
Tapdiameter (mm)	/	3-16	3-16	/
Boordiepte (mm)	50	50	50	50
Magnetische aantrekkingskracht (N)	12500	12500	13000	12800
Snelheid (r/min)	850	0-830 tpm (vooruit) 0-800 tpm <small>(HERHALING)</small>	0-570 0-850 tpm (vooruit) 0-800 tpm <small>(HERHALING)</small>	
Reis (mm)	220	220	210	220
Invoer	Wisselstroom 230V 50Hz (EUR/AUS)			
Vermogen (W)	1450	1450	1600	1450
Zekering (A)	15			
Draairichting	Vooruit Vooruit/ Achteruit		Vooruit Vooruit/ Achteruit	

INGANG: AC 120V 60Hz (VS)

Model	ZT-40H ZT-45H		MD-50 MDP-50	
Gatdiameter (hol boor)(mm)	ÿ40mm ÿ40mm ÿ50mm ÿ50mm			
Gebakken deeg draaiboor doorsnede (mm)	ÿ3-ÿ16 ÿ3-ÿ16 ÿ3-ÿ16 ÿ3-ÿ16			
Tapdiameter (mm)	/	3-16	/	3-16
Boordiepte (mm)	50	50	50	50
Magnetische aantrekkingskracht (N)	12500	12500	13000	12800
Snelheid (r/min)	850	0-800 tpm (vooruit) 0-770 tpm <small>(HERHALING)</small>	0-570 0-800 tpm (vooruit) 0-750 tpm <small>(HERHALING)</small>	
Reis (mm)	220	220	210	220
Invoer	AC 120V 60Hz (VS)			
Vermogen (W)	1450	1450	1600	1450
Zekering (A)	15			
Draairichting	Vooruit Vooruit/ Achterruit		Vooruit Vooruit/ Achterruit	

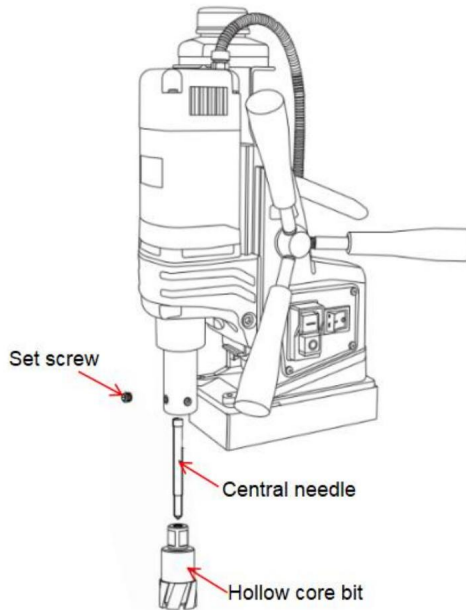
STRUCTUURDIAGRAM



**De knoppen op het bedieningspaneel van sommige machinemodellen kunnen afwijken.
Bekijk het echte product voor gedetailleerde informatie.**

- | | |
|--------------------------------|---------------------------------|
| 1. Achterklep | 2. Onderstel |
| 3. Middendeksel | 4. Versnellingsbak |
| 5. Elektromagneetschakelaar | 6. Handvat |
| 7. Regelstang | 8. Vooruit/achteruit schakelaar |
| 9. Aan/uit-schakelaar | 10. Snelheidsregelknop |
| 11. Elektromagnetische basis | 12. Spoor |
| 13. Gat voor veiligheidsgordel | |

WERKING EN GEBRUIK



1. De boor moet scherp zijn. Wanneer u de holle boor installeert, plaatst u de centrale naald in de holle boor, installeert u de holle boor op de uitgaande as en draait u ten slotte de bevestigingsschroef vast om de holle boor vast te zetten.

2. Plaats de magneetboor in de buurt van de gewenste boorpositie, steek de stekker in het stopcontact, lijk de boor uit met de bewerkingspositie en zet vervolgens de schakelaar van de elektromagneet aan, zodat de elektromagneet kan worden geabsorbeerd op het oppervlak van de magnetische materialen, zoals staal. (plaatdikte meer dan 15 mm)

(Let op dat u de juiste adsorptiematerialen selecteert en zorg ervoor dat er geen vuil op het adsorptieoppervlak zit. Controleer ook of de magnetische kracht normaal is.)

3. Bij werkzaamheden aan de zijkant of bovenkant moet de machine met een veiligheidsgordel worden vastgemaakt.

4. Steek het ene uiteinde van de veiligheidsgordel in het handvatgat van het frame, bind het andere uiteinde vast aan het sterke frame en gesp het vast in de sluitingen

(Probeer met de hand te trekken, het mag niet los zitten en verschuiven).

5. Schakel de schakelaar in om te controleren of de boorkop klopt en of er geluid is stabiel is. Als alles normaal is, open dan eerst de waterklep zodat de snijvloeistof in de olie kan stromen, en draai dan de hendel om te voeden

(Let op: Open de waterkraan niet als u aan de zijkant of bovenkant werkt)

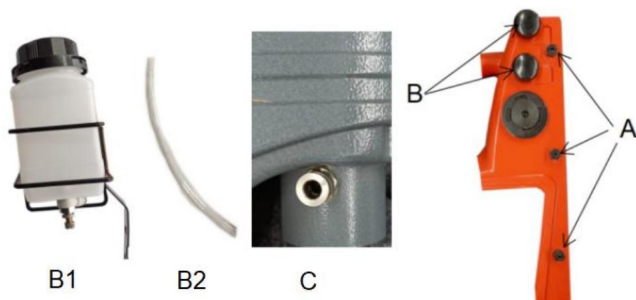
6. Voer in het begin langzaam. Niet te veel inspannen in geval van overbelasting.

7. Als de motor plotseling stopt of vastloopt door een storing, moet de boorbedieningsschakelaar 9 moet onmiddellijk worden uitgeschakeld (Let op: schakel de elektromagneetschakelaar 5 niet uit).

Na continu gebruik gedurende 2-3 uur, moet u rusten om de elektromagnetische stoel tegen doorbranden door oververhitting.

8. Wanneer de koolborstel versleten is, vervang deze dan tijdig (beide moeten tegelijkertijd vervangen worden).

AFKOELEN EN AANPASSEN VAN DE BAAN



1. Bevestig B1 aan B en verbind vervolgens B2 met B1 en C.

2. Draai de joystick om te bepalen of de strakheid van het spoor voldoet aan de voorvereisten. Als de dichtheid niet ideaal is, kunt u deze aanpassen met de open sleutel en de inbussleutel in de bijlage.

a) Draai de zeskantmoer op plaats A los met een steeksleutel. b)

Gebruik de inbussleutel om de stelschroef op plaats A af te stellen en draai de joystick 7 om tegelijkertijd te voelen of de strakheid van het spoor de ideale staat bereikt boren.

c) Na het afstellen de zeskantmoer bij A vastdraaien met de steeksleutel.

Let op: De dichtheid van de rupsband is afgesteld voordat deze de fabriek verlaat. Als

Er zijn geen sterke trillingen, vallen of andere omstandigheden geweest, dus voer geen aanpassingen uit.

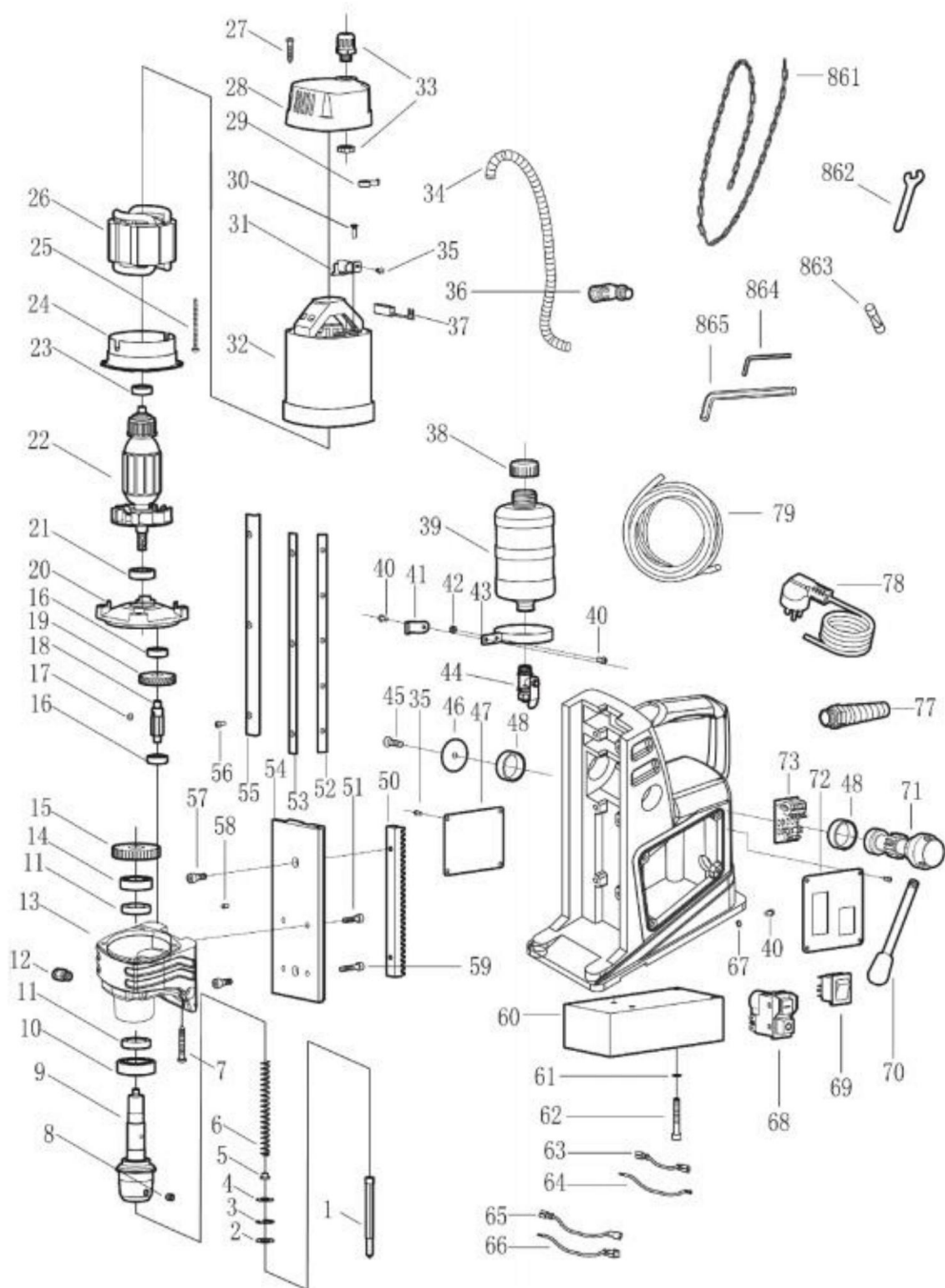
INSTRUCTIES VOOR HET OPLOSSEN VAN PROBLEMEN

Probleem	Reden	Oplossing
Magnetische houder heeft geen zuiging.	Slecht schakelcontact.	Schakelaar repareren.
	De stroom is uitgevallen.	Het herstellen van de stroom
	De zekering is doorgebrand.	Vervang de zekering
	Elektromagneet kort circuit of doorbranden.	Repareer of vervang de magnetische basis.
	Het wordt niet geadsorbeerd op stalen onderdelen.	Verander of verdik de adsorptieoppervlak (dikte > 15mm).
De machine werkt niet nadat de stroom is ingeschakeld.	Slecht schakelcontact.	Schakelaar repareren.
	Losse stekker.	Stroom aansluiten
	De borstel doet het niet Neem contact op met de commutator.	Vervang de borstel.
Magnetische stoelzuiging is zwak.	Het geadsorbeerde werkstuk is te dun.	Verander of verdik de adsorptieoppervlak (dikte > 15mm).
	Kleine adsorbeerbare oppervlak.	Verander de adsorptie oppervlakte of tijdelijk las de dikke adsorptie
Er verschijnen elliptische gaten in het boren van gaten.	De trilling zorgde ervoor dat de bevestiging los te maken.	Draai de sluiting vast nadat het corrigeren van de verticaliteit.
	De boor snijdt slechts op één punt	Slijpbitje.
	Er ligt puin op de adsorptieoppervlak.	Ruim rommel op.

ONDERHOUD EN OPSLAG

LET OP: Verwijder de stekker voordat u onderhoud uitvoert.

1. Maak na elk gebruik de onderkant van de magnetische zitboor schoon en bewaar deze zorgvuldig.
2. Smeer de baan op tijd in met boter als deze niet soepel glijdt.
3. Controleer regelmatig de elektrische beveiliging.
4. Of de aarding betrouwbaar is.
5. Meld u op tijd aan tijdens het regenseizoen.



COMPONENTVERGELIJKINGSTABEL

Nee.	Naam	Nee.	Naam	Nee.	Naam
1	Centrale naald	29	Schroefveer	57	Bout M6 x 6
2	Rubberen pad	30	Tapschroef ST2.9 9,5 keer	58	Cilindrische pen x 10
3	Elastische borgring 19	31	Borstelhouder onderdeel	59	Bout M5x25
4	Pakking	32	Nylon kabelbevestiging hoofdcomponent	60	Elektrische magneet
5	Veerplug	33	Slang	61	Veerpakking 6
6	Lente	34	Bout m4x6	62	Bout M6 x 40
7	Tapschroef ST4.8 40 keer	35	Elleboogkabelhouder onderdeel	63	Sluit draad 2 aan
8	Zeskantige aansluiting schroef M8 x 8	36	Koolborstel	64	Sluit draad 3 aan
9	Uitvoer-as	37	Olie kan deksel	65	Sluit draad 1 aan
10	Lager 6004	38	Olie kan	66	Sluit draad 4 aan
11	Afdichtring	39	Bout M4x10	67	pakking 4
12	APC-connector R1/8	40	Kabelbevestigingsplaat	68	Elektromagnetisch schakelaar
13	Reductiekast	41	Moer M4	69	Draaiplaatschakelaar
14	Lager 6003	42	Oliekan borgring 70		Staaftcomponent
15	4# versnelling	43	Waterklep onderdeel G1/4	71	Tandheugel as
16	Lager 608	44	Bout M6 x 20	72	Bevestigingsplaat voor schakelaar
17	Platte sleutel 4 x 4 x 6	45	Pakking	73	Printplaat
18	3# tandwielas	46	Naamplaatje	74	Bout M5 x 16
19	2# versnelling	47	Asring	75	Moer M5

20	Middendeksel	48	Schroefpad combinatie M6x16	76	Baseren
21	Lager 6001	49	Rek	77	Schroefkabelbevestiging hoofd
22	Rotor	50	Bout M5 x 20	78	Kabelconnector plug
23	Lager 608	51	Spoorregelbalk 79		PU-slang
24	Windschermring	52	Spoorstang A	861	Veiligheidsgordel
25	Tapschroef ST4 x 52	53	Geleiderailplaat	862	Steeksleutel 8mm
26	Stator	54	Spoorstang B	863	<small>Samenstellen</small>
27	Tapschroef ST4.2 25 keer	55	Tapschroef ST2.9 9,5 keer	864	Zeshoekig open steeksleutel 2,5mm
28	Achterklep	56	Bout M3 x 6	865	Zeshoekig open sleutel 4mm

VEVOR[®]

TOUGH TOOLS, HALF PRICE

Technische ondersteuning en e-
garantiecertificaat www.vevor.com/support

VEVOR®

TOUGH TOOLS, HALF PRICE

Teknisk support och e-garanticertifikat www.vevor.com/support

MAGNETISK BASBORR

Modell: ZT-40H/ZT-45H/MD-50/MDP-50

Vi fortsätter att vara engagerade i att ge dig verktyg till konkurrenskraftiga priser.

"Spara hälften", "halva priset" eller andra liknande uttryck som används av oss representerar bara en uppskattning av besparingar du kan dra nytta av att köpa vissa verktyg hos oss jämfört med de stora toppmärkena och betyder inte nödvändigtvis att täcka alla kategorier av verktyg som erbjuds av oss. Du påminns vänligen om att noggrant kontrollera när du gör en beställning hos oss om du faktiskt sparar hälften i jämförelse med de främsta stora varumärkena.

VEVOR®

TOUGH TOOLS, HALF PRICE

MAGNETISK BASBORR

ANVÄNDARMANUAL

MODELL: ZT-40H/ZT-45H/MD-50/MDP-50



OBS! Knapparna på kontrollpanelen på vissa maskinmodeller kan vara annorlunda. Se den verkliga produkten för detaljerad information.

BEHÖVER HJÄLP? KONTAKTA OSS!

Har du produktfrågor? Behöver du teknisk support? Kontakta oss gärna:

Teknisk support och e-garanticertifikat
www.vevor.com/support

Detta är den ursprungliga instruktionen, läs alla instruktioner noggrant innan du använder den. VEVOR reserverar sig för en tydlig tolkning av vår användarmanual. Utseendet på produkten är beroende av den produkt du fått. Ursäkta oss att vi inte kommer att informera dig igen om det finns någon teknik eller mjukvaruuppdateringar på vår produkt.



BESKRIVNING AV SYMBOLERNA

Symbolerna som används i denna handbok är avsedda att uppmärksamma dig på möjliga risker. Snälla fullständigt läs säkerhetsskyltarna och instruktionerna nedan. Varningen själva hindrar inte risker och kan inte ersätta korrekta metoder för att undvika olyckor.



Denna symbol, placerad före en säkerhetskommentar, indikerar en slags försiktighetsåtgärd, varning eller fara. Att ignorera denna varning kan leda till en olycka. För att minska risken för skador, brand eller elstöt, följ alltid rekommendationerna nedan.



VARNING - För att minska risken för skador måste användarna läsa instruktionerna handbok noggrant.

Se tillämpligt avsnitt i denna bruksanvisning innan du gör något.



VARNING: Var noga med att bära ögonskydd, dammmasker och handskar vid användning denna produkt.



Denna produkt omfattas av bestämmelserna i det europeiska direktivet 2012/19/EC. De symbol som visar en överkorsad soptunna på hjul anger att produkten kräver separat sophämtning i Europeiska unionen. Denna symbol gäller för produkten och alla tillbehör märkta med denna symbol. Produkter märkta som sådana får inte slängas tillsammans med vanligt hushållsavfall utan måste tas till en insamlingsställe för återvinning av elektriska och elektroniska apparater.



Denna enhet uppfyller del 15 av FCC-reglerna. Driften är föremål för följande två tillstånd: (1) Denna enhet får inte orsaka skadliga störningar, och (2) denna enhet måste acceptera alla mottagna störningar, inklusive störningar som kan orsaka oönskad funktion.

SÄKERHETSINSTRUKTIONER



VARNING: Läs alla säkerhetsvarningar, instruktioner, illustrationer och

specifikationer som medföljer detta elverktyg. Underlåtenhet att följa alla instruktioner som anges nedan kan resultera i elektriska stötar, brand och/eller allvarliga skador.

Spara alla varningar och instruktioner för framtida referens.



Allmänna säkerhetsvarningar för elverktyg - Säkerhet på arbetsplatsen

a) Håll arbetsområdet rent och väl upplyst. Röriga eller mörka områden leder till olyckor. b)

Använd inte elverktyg i explosionsfarlig atmosfär, t.ex. i närvaro

av brandfarliga vätskor, gaser eller damm. Elverktyg skapar gnistor som kan antändas damm eller ångor.

c) Håll barn och åskådare borta när du använder ett elverktyg. Distractioner kan få dig att tappa kontrollen. d)

Före arbetet för att knyta ärmsluten måste kvinnor bära en bra kvinnahatt, långt hår gömd i hatten, är strängt förbjudet att bära handskar. När konstruktionen är slutförd måste strömbrytaren stängas av innan du lämnar.



Allmänna säkerhetsvarningar för elverktyg - Elektrisk säkerhet

a) Elverktygskontakter måste matcha uttaget. Modifiera aldrig kontakten på något sätt. Do använd inte några adapterkontakter med jordade (jordade) elverktyg. Omodifierade pluggar och matchande uttag minskar risken för elektriska stötar.

b) Undvik kroppskontakt med jordade eller jordade ytor, såsom rör, radiatorer, spisar och kylskåp. Det finns en ökad risk för elektriska stötar om din kropp är jordad eller jordad. c)

Utsätt inte elverktyg för regn eller våta förhållanden. Vatten kommer in i en kraftverktyget ökar risken för elektriska stötar.

d) Missbruk inte sladden. Använd aldrig sladden för att bära, dra eller koppla ur elverktyget. Håll sladden borta från värme, olja, vassa kanter eller rörliga delar.

Skadade eller trasslade sladdar ökar risken för elektriska stötar. e) När du använder ett elverktyg utomhus, använd en förlängningssladd som är lämplig för utomhusbruk. Användning av en sladd som är lämplig för utomhusbruk minskar risken för elchock.

f) Om det är oundvikligt att använda ett elverktyg på en fuktig plats, använd ett jordfelkrets brytare (GFCI) skyddad matning. Användning av en GFCI minskar risken för elektrisk stöt.



Allmänna säkerhetsvarningar för elverktyg - Personlig säkerhet

a) Var uppmärksam, titta på vad du gör och använd sunt förnuft när du använder en elverktyg. Använd inte ett elverktyg när du är trött eller påverkad av droger, alkohol eller mediciner. Ett ögonblick av ouppmärksamhet när du använder elverktyg kan leda till allvarliga personskador. b) Använd

personlig skyddsutrustning. Använd alltid ögonskydd. Skyddande utrustning som dammmask, halkfria skyddsskor, hjälm eller hörsel skydd som används för lämpliga förhållanden kommer att minska personskador. c)

Förhindra oavsiktlig start. Se till att strömbrytaren är i avstängt läge innan

ansluta till strömkälla och/eller batteripaket, plocka upp eller bära verktyget.

Att bära elverktyg med fingret på strömbrytaren eller strömsätta elverktyg som ha strömbrytaren på inbjuder till olyckor.

d) Ta bort eventuell justeringsnyckel eller skiftnyckel innan du sätter på elverktyget. A skiftnyckel eller en nyckel som sitter kvar på en roterande del av elverktyget kan resultera i personskada. e)

Räck inte för mycket. Håll alltid rätt fotfäste och balans. Detta möjliggör bättre kontroll över elverktyget i oväntade situationer.

f) Klä dig ordentligt. Bär inte löst sittande kläder eller smycken. Behåll ditt hår och kläder borta från rörliga delar. Lösa kläder, smycken eller långt hår kan vara fast i rörliga delar. g) Om

anordningar tillhandahålls för anslutning av dammsugning och uppsamling anläggningar, se till att dessa är anslutna och används på rätt sätt. Användning av dammuppsamling kan minska dammrelaterade faror.

h) Låt inte förtrogenhet som erhållits genom frekvent användning av verktyg tillåta dig att bli självbelåtna och ignorera verktygs säkerhetsprinciper. En slarvig handling kan orsaka allvarliga skada inom en bråkdel av en sekund.

I) Denna produkt är inte en leksak. Förvara den utom räckhåll för barn.

J) Använd endast säkerhetsutrustning som har godkänts av en lämplig standardiseringsbyrå. Ej godkänd säkerhetsutrustning kanske inte är tillräcklig skydd. Ögonskydd måste vara ANSI-godkänt och andningsskydd måste vara NIOSH-godkänt för de specifika farorna i arbetsområdet.

K) Lägg inte ner verktyget förrän det har stannat helt. Rörliga delar kan ta tag i ytan och dra verktyget ur din kontroll.

L) När du använder ett handhållet elverktyg, håll ett stadigt grepp om verktyget med båda händerna för att motstå startmoment.

M) Lämna inte verktyget utan uppsikt när batteripaketet är anslutet. Stänga av verktyget och ta bort batteripaketet innan du lämnar det.

N) Personer med pacemaker bör rådfråga sin(a) läkare före användning. Elektromagnetiska fält i närheten av pacemakern kan orsaka pacemakerstörning eller pacemakerfel.

O) Varningarna, försiktighetsåtgärderna och instruktionerna som diskuteras i denna instruktion manualen kan inte täcka alla möjliga förhållanden och situationer som kan uppstå. Det måste det förstås av operatören att sunt förnuft och försiktighet är faktorer som kan inte byggas in i denna produkt, utan måste tillhandahållas av operatören

Användning och skötsel av elverktyg

a) Tvinga inte elverktyget. Använd rätt elverktyg för din applikation. De rätt elverktyg kommer att göra jobbet bättre och säkrare i den takt det var för utformad.

b) Använd inte elverktyget om strömbrytaren inte slår på och av det. Vilken kraft som helst verktyg som inte kan styras med strömbrytaren är farligt och måste repareras.

- c) Koppla bort kontakten från strömkällan och/eller ta bort batteripaketet, om löstagbar, från elverktyget innan du gör några justeringar, byter tillbehör eller förvaring av elverktyg. Sådana förebyggande säkerhetsåtgärder minskar risk för att elverktyget startas av misstag. d) Förvara inaktiva elverktyg utom räckhåll för barn och tillåt inte personer obekant med elverktyget eller dessa instruktioner för att använda elverktyget. Elverktyg är farliga i händerna på utbildade användare. e) Underhåll elverktyg och tillbehör. Kontrollera om det finns felinriktning eller bindning av rörliga delar, brott på delar och andra tillstånd som kan påverka strömmen tooTs operation. Om det är skadat, låt det elverktyg repareras före användning. Många olyckor orsakas av dåligt underhållna elverktyg.
- f) Håll skärverktyg vassa och rena. Korrekt underhållna skärverktyg med vassa skäreddor är mindre benägna att binda och är lättare att kontrollera. g) Använd elverktyget, tillbehören och verktygsbitar etc. i enlighet med dessa instruktioner, med hänsyn till arbetsförhållandena och det arbete som ska utföras utförde. Användning av elverktyget för andra operationer än de avsedda kan resultera i en farlig situation.
- h) Håll handtag och greppytor torra, rena och fria från olja och fett. Halta handtag och greppytor tillåter inte säker hantering och kontroll av verktyget i oväntade situationer.
- i) Kontrollera antalet spänningstvölv före användning. Arbetsspänningen är inte mer än $\pm 5\%$. Om det är mer än så kommer det att orsaka motorbränning och läckage olyckor.
- j) Var uppmärksam under konstruktionen för att undvika att vatten kommer in i motorn eller blockera ventilationshålet för att inte minska värmeavledningsförmågan av motorn och orsaka att motorn brinner ner.
- k) I stålplåtskonstruktionen, var uppmärksam på säkerheten för den nedre lager av personal och varor, järnbalk och pelarborrning, var uppmärksam på säkerheten för byggnadens struktur.
- L) Vid fjädringsdrift måste säkerhetsbältet vara hårt bundet och magnetiskt borrh fixerad för att förhindra plötsligt strömbrott eller strömbrott orsakat av olyckor.
- M) Klipp inte av nätsladden eller byt kontakten själv. Detta kommer att orsaka maskin att brinna ut.

Service

a) Låt en kvalificerad reparatör serva ditt elverktyg som endast använder identiskt verktyg reservdelar. Detta säkerställer att elverktygets säkerhet upprätthålls. b) I vilket fall som helst bör den startas i tomgångsläge. Det är förbjudet att börja med belastning för att undvika skador på maskinen. Var uppmärksam på stabiliteten av magnetborren när du arbetar på hög höjd, för att förhindra maskinen från att falla ner. c) Se till att jordkabeln är tillförlitligt jordad. d) Vid förflyttning ska magnetborren lyftas för att förhindra skador på magnetisk bas. e)

Vid underhåll måste originaldelarna användas för att göra maskinen för att uppnå bästa användningstillstånd.

f) Behåll etiketter och namnskyltar på verktyget. Dessa bär viktig säkerhetsinformation. Om den är oläslig eller saknas, kontakta VEVOR för en ersättning.



Vibrations säkerhet

Detta verktyg vibrerar under användning. Upprepad eller långvarig exponering för vibrationer kan orsaka tillfällig eller permanent fysisk skada, särskilt på händer, armar och axlar. För att minska risken för vibrationsrelaterade skador:

- a. Alla som använder vibrerande verktyg regelbundet eller under en längre period bör först vara det undersökas av en läkare och sedan göra regelbundna läkarkontroller för att säkerställa medicinska problem orsakas inte eller förvärras av användning. Gravida kvinnor eller människor som har nedsatt blodcirkulation till handen, tidigare handskador, nervösa systemstörningar, diabetes eller Raynauds sjukdom bör inte använda detta verktyg. Om du känner några symptom relaterade till vibrationer (som stickningar, domningar och vitt eller blå fingrar), sök läkare så snart som möjligt.
- b. Rök inte under användning. Nikotin minskar blodtillförseln till händerna och fingrar, vilket ökar risken för vibrationsrelaterade skador.
- c. Använd lämpliga handskar för att minska vibrationseffekterna på användningen.
- d. Använd verktyg med lägst vibration när det finns ett val.
- e. Inkludera vibrationsfria perioder varje arbetsdag.
- f. Ta tag i verktyget så lätt som möjligt (medan du fortfarande har säker kontroll över det). Låt verktyget göra jobbet.

g. För att minska vibrationer, underhåll verktyget enligt beskrivningen i denna handbok. Om någon onormala vibrationer uppstår, sluta använda omedelbart.



Säkerhet vid jordning

FÖR ATT FÖRHINDRA ELEKTRISK STÖT OCH DÖDSFALL FRÅN FEL

JORDNING: kontrollera med en behörig elektriker om du är osäker på om uttaget är ordentligt jordat. Modifiera inte nätsladdens kontakt som medföljer laddaren. Använd inte laddaren om nätsladden eller kontakten är skadad. om skadad, låt en serviceverkstad reparera den före användning. om kontakten inte passar uttag, låt en behörig elektriker installera ett lämpligt uttag.

MODELL OCH PARAMETRAR

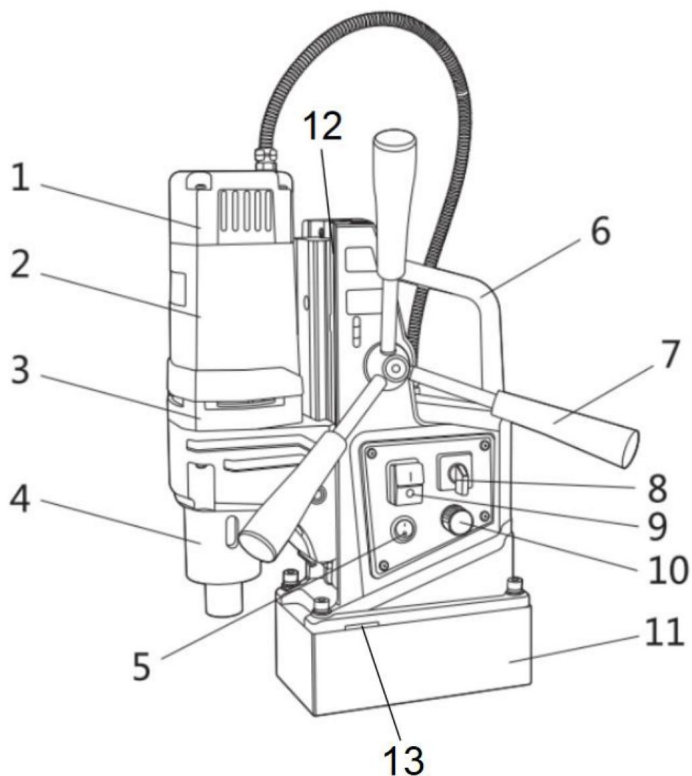
INGÅNG: AC 230V 50Hz (EUR/AUS)

Modell	ZT-40H ZT-45H MD-50 MDP-50			
Håldiameter (ihålig borr)(mm)	ÿ40mm	ÿ40mm	ÿ50mm	ÿ50mm
Stekt deg spiralbör diameter (mm)	ÿ3-ÿ16	ÿ3-ÿ16	ÿ3-ÿ16	ÿ3-ÿ16
Tappdiameter (mm)	/	3-16	3-16	/
Borrdjup (mm)	50	50	50	50
Magnetisk attraktion (N)	12500	12500	13ÿ000	12800
Hastighet (r/min)	850	0-830 r/min (FWD) 0-800 r/min (VARV)	0-570 0-850 r/min (FWD) 0-800 r/min (VARV)	
Trip (mm)	220	220	210	220
Input	AC 230V 50Hz (EUR/AUS)			
Effekt (W)	1450	1450	1600	1450
Säkring (A)	15			
Rotationsriktning	Framåt	Framåt/ Motsatt	Framåt	Framåt/ Motsatt

INGÅNG: AC 120V 60Hz (USA)

Modell	ZT-40H ZT-45H		MD-50 MDP-50	
Håldiameter (ihållig borrhållig)(mm)	ÿ40mm ÿ40mm ÿ50mm ÿ50mm			
Stekt deg spiralborr diameter (mm)	ÿ3-ÿ16 ÿ3-ÿ16 ÿ3-ÿ16 ÿ3-ÿ16			
Tappdiameter (mm)	/	3-16	/	3-16
Borrdjup (mm)	50	50	50	50
Magnetisk attraktion (N)	12500	12500	13ÿ000	12800
Hastighet (r/min)	850	0-800 r/min (FWD) 0-770 r/min (VARV)	0-570 0-800r/min (FWD) 0-750 r/min (VARV)	
Trip (mm)	220	220	210	220
Input	AC 120V 60Hz (USA)			
Effekt (W)	1450	1450	1600	1450
Säkring (A)	15			
Rotationsriktning	Framåt Framåt/ Motsatt		Framåt Framåt/ Motsatt	

STRUKTURDIAGRAM

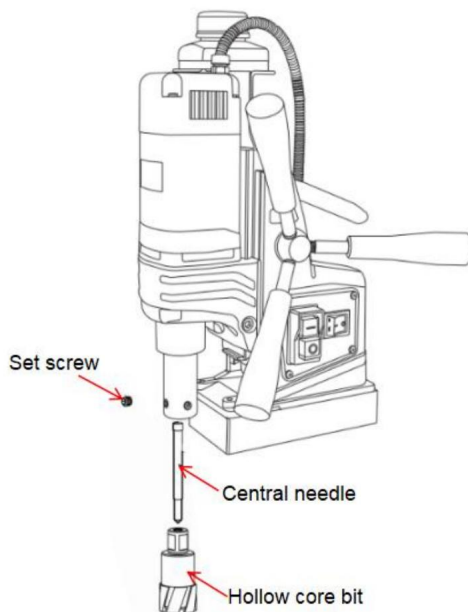


Knapparna på kontrollpanelen på vissa maskinmodeller kan vara annorlunda.

Se den verkliga produkten för detaljerad information.

- | | |
|----------------------------|------------------------------|
| 1. Bakre kåpa | 2. Chassi |
| 3. Mellanlock | 4. Växellåda |
| 5. Elektromagnetomkopplare | 6. Handtag |
| 7. Styrstav | 8. Fram/back-omkopplare |
| 9. Strömbrytare | 10. Hastighetsregleringsratt |
| 11. Elektromagnetisk bas | 12. Spår |
| 13. Hål för säkerhetsbälte | |

DRIFT OCH ANVÄNDNING



1. Borrkronan måste vara vass. När du installerar den ihåliga borsten, sätt in den centrala nålen i den ihåliga borsten, installera den ihåliga borsten på den utgående axeln, och slutligen, dra åt fästsruven för att säkra den ihåliga borsten.

2. Placera magnetborren nära önskad borrarposition, anslut nätkontakten, rikta in borkronan med bearbetningspositionen och slå sedan på elektromagnetens strömbrytare så att elektromagneten kan absorberas på ytan av de magnetiska materialen såsom stål. (plåttjocklek mer än 15 mm)

(Var uppmärksam på att välja lämpliga adsorptionsmaterial och se till att det inte finns något skräp på adsorptionsytan, kontrollera om den magnetiska kraften är normal).

3. Maskinen ska spännas fast med säkerhetsbälte vid arbete på sidan eller ovasidan.

4. Trä in ena änden av säkerhetsbältet i ramens handtagshål, knyt den andra änden till den starka ramen och spänn sedan fast i fästena

(Försök att dra med handen, den ska inte vara lös och förskjut).

5. Slå på strömbrytaren för att kontrollera om borrkronan slår och ljudet är stabil. Om allt är normalt, öppna vattenventilen först så att skärvätskan i oljan kan rinna ut, och vrid sedan på handtaget för att mata

(Obs: Öppna inte vattenventilen när du arbetar på sido- och toppläge)

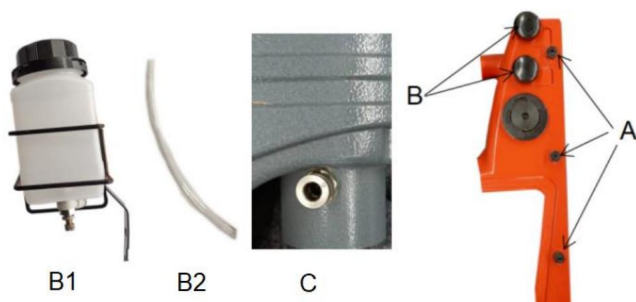
6. Matningen bör vara långsam först. Ansträng dig inte för mycket vid överbelastning.

7. Om motorn plötsligt stannar eller fastnar på grund av ett fel, ska borrkontrollbrytaren 9 måste stängas av omedelbart (Obs: stäng inte av elektromagnetomkopplaren 5).

Efter kontinuerlig användning i 2-3 timmar måste du vila för att förhindra att elektromagnetiskt säte från att brinna ut på grund av överhettning.

8. När kolborsten är utsliten, vänligen byt ut den i tid (båda).
bör bytas ut samtidigt).

KYLNING OCH JUSTERING AV BÅN



1. Fixa B1 vid B, anslut sedan B2 till B1 och C.

2. Vrid joysticken för att avgöra om spårets täthet möter krav på borrning. Om tätheten inte är idealisk kan du justera den med den öppna skiftnyckel och insexnyckeln i fästet.

a) Lossa sexkantsmuttern på plats A med en öppen skiftnyckel. b)

Använd insexnyckeln för att justera ställskruven vid A och vrid joysticken 7 samtidigt för att känna om spårets täthet når idealtillståndet
borrning.

c) Efter justering, dra åt sexkantsmuttern vid A med öppningsnyckeln.

Obs: Banans täthet har justerats innan den lämnade fabriken. Om det har inte förekommit några starka vibrationer, fall och andra förhållanden, justera inte.

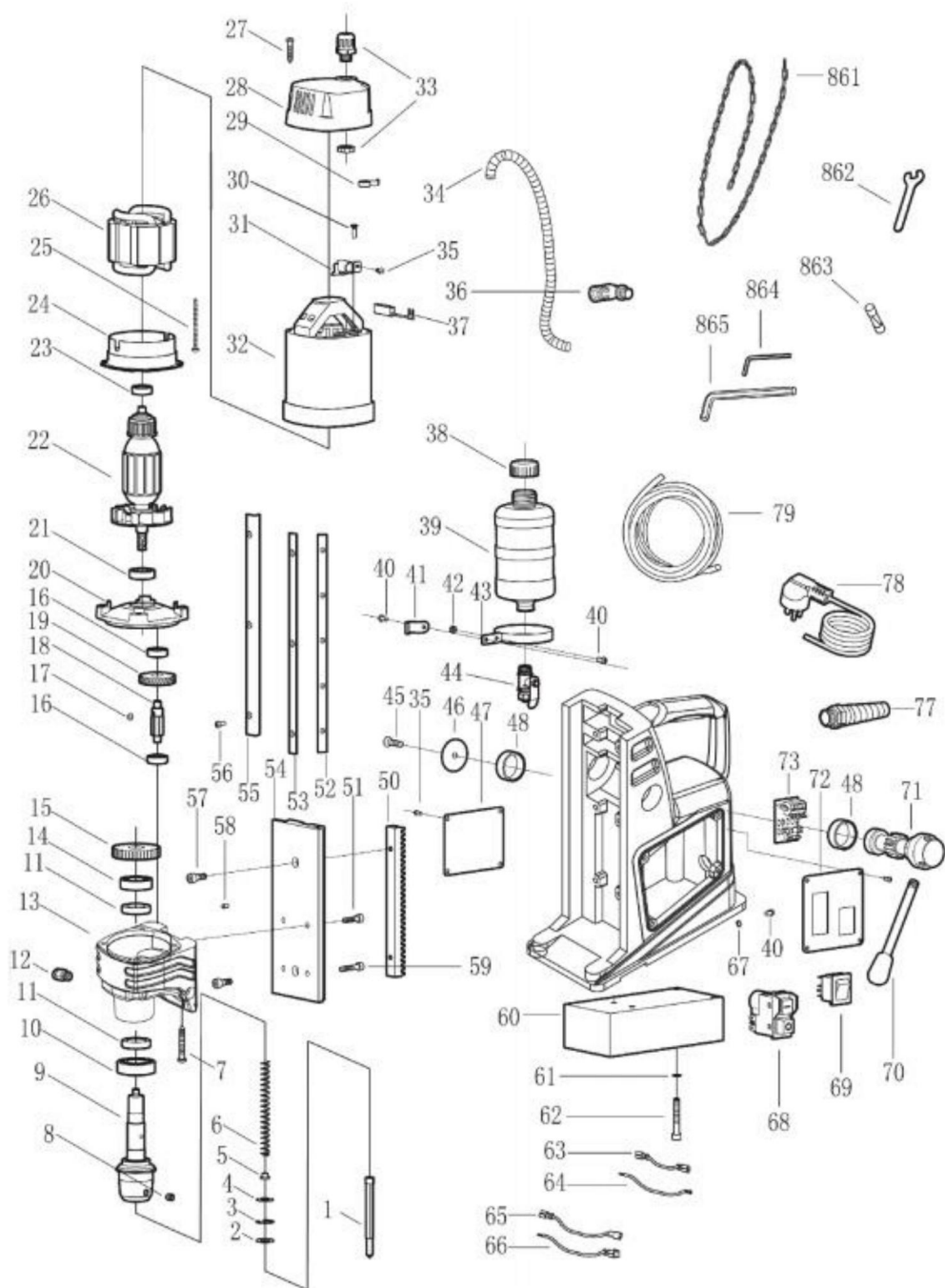
FELSÖKNINGSINSTRUKTION

Problem	Resonera	Lösning
Magnetisk hållare har nr sugning.	Dålig brytarkontakt.	Reparationsbrytare.
	Strömmen är avstängd.	Reparerar strömmen
	Säkringen har gått.	Byt ut säkringen
	Elektromagnet kort kretsar eller brinner ut.	Reparera eller byt ut magnetisk bas.
	Det adsorberas inte på ståldelar.	Ändra eller förtjocka adsorptionsyta (tjocklek > 15 mm).
Maskinen fungerar inte efter att strömmen är på.	Dålig brytarkontakt.	Reparationsbrytare.
	Lös plugg.	Anslutning av ström
	Det gör inte borsten kontakta kommutatorn.	Byt ut borsten.
Magnetisk sätessugning är svag.	Det adsorberade arbetsstycket är för tunn.	Ändra eller förtjocka adsorptionsyta (tjocklek > 15 mm).
	Liten adsorberbar yta.	Ändra adsorptionen yta eller tillfälligt svetsa den tjocka adsorptionen
Elliptiska hål dyker upp i borrhålen.	Vibrationen orsakade fäste för att lossa.	Dra åt fästet efteråt korrigerar vertikalteten.
	Borren skär bara på en sida	Omslipning lite.
	Det finns slip på adsorptionsyta.	Ta bort röran.

UNDERHÅLL OCH FÖRVARING

OBS: Ta bort kontakten innan underhåll.

1. Efter varje användning, rengör botten av den magnetiska sätborsten och förvara den ordentligt.
2. Smör banan i tid när rutschkanan inte är slät.
3. Kontrollera den elektriska skyddsanordningen regelbundet.
4. Om jordningen är tillförlitlig.
5. Vänligen checka in i tid under regnperioden.



JÄMFÖRELSETABELL FÖR KOMPONENTER

Inga.	Namn	Inga.	Namn	Inga.	Namn
1	Central nål	29	Spiralfjäder	57	Bult M6 x 6
2	Gummikudde	30	Tappskruv ST2.9 x 9,5	58	Cylindrisk stift x 10
3	Elastisk låsring 19	31	Borsthållare komponent	59	Bult M5x25
4	Packning	32	Nylonkabelfäste huvudkomponent	60	Elektrisk magnet
5	Fjäderplugg	33	Slang	61	Fjäderpackning 6
6	Fjädra	34	Bult m4x6	62	Bult M6 x 40
7	Tappskruv ST4.8 x 40	35	Armbågskabelhållare komponent	63	Anslut tråd 2
8	Sexkantshylsa skruv M8 x 8	36	Kolborste	64	Anslut tråd 3
9	Utgångsaxel	37	Oljekan täcka	65	Anslut tråd 1
10	Lager 6004	38	Oljeburk	66	Anslut tråd 4
11	Tätningring	39	Bult M4x10	67	packning 4
12	APC-kontakt R1/8	40	Kabelfästplatta	68	Elektromagnetisk växla
13	Reduktionsväxellåda	41	Mutter M4	69	Svängplåtsomkopplare
14	Lager 6003	42	Oljeburkhållarring 70		Stångkomponent
15	4# växel	43	Vattenventil komponent G1/4	71	Rackaxel
16	Lager 608	44	Bult M6 x 20	72	Switch fixeringsplatta
17	Platt nyckel 4 x 4 x 6	45	Packning	73	Kretskort
18	3# kugghjulaxel	46	Namnskylt	74	Bult M5 x 16
19	2# växel	47	Axelring	75	Mutter M5

20	Mellersta omslaget	48	Skruvdyna kombination M6x16	76	Bas
21	Lager 6001	49	Kuggstång	77	Skruvkabelfästning huvud
22	Rotor	50	Bult M5 x 20	78	Kabelkontakt plugg
23	Lager 608	51	Spårregleringsstång 79		PU slang
24	Vindskyddsring	52	Spårstav A	861	Säkerhetsbälte
25	Tappskruv ST4 x 52	53	Styrskena plåt	862	Nyckel 8mm
26	Stator	54	Spårstav B	863	Säkring
27	Tappskruv ST4.2 x 25	55	Tappskruv ST2.9 x 9,5	864	Sexkantig öppen nyckel 2,5 mm
28	Bakre kåpa	56	Bult M3 x 6	865	Sexkantig öppen nyckel 4 mm

VEVOR[®]

TOUGH TOOLS, HALF PRICE

Teknisk support och e-garanticertifikat

www.vevor.com/support

VEVOR[®]

TOUGH TOOLS, HALF PRICE

Soporte técnico y certificado de garantía electrónica www.vevor.com/support

TALADRO CON BASE MAGNÉTICA

Modelo: ZT-40H/ZT-45H/MD-50/MDP-50

Seguimos comprometidos a brindarle herramientas a precios competitivos.

"Ahorre la mitad", "mitad de precio" o cualquier otra expresión similar que utilicemos solo representa una estimación del ahorro que podría obtener al comprar ciertas herramientas con nosotros en comparación con las principales marcas y no necesariamente significa que cubra todas las categorías de herramientas que ofrecemos. Le recordamos que, al realizar un pedido con nosotros, verifique cuidadosamente si realmente está ahorrando la mitad en comparación con las principales marcas.

VEVOR®

TOUGH TOOLS, HALF PRICE

TALADRO CON BASE MAGNÉTICA

MANUAL DEL USUARIO

MODELO: ZT-40H/ZT-45H/MD-50/MDP-50



NOTA: Los botones del panel de control de algunos modelos de máquinas pueden ser diferentes. Consulte el producto real para obtener información detallada.

¿NECESITA AYUDA? ¡CONTÁCTENOS!

¿Tiene preguntas sobre el producto? ¿Necesita asistencia técnica? No dude en ponerse en contacto con nosotros:

Soporte técnico y certificado de garantía electrónica
www.vevor.com/support

Estas son las instrucciones originales, lea atentamente todas las instrucciones del manual antes de utilizar el producto. VEVOR se reserva una interpretación clara de nuestro manual de usuario. La apariencia del producto estará sujeta al producto que recibió. Perdónenos por no informarle nuevamente si hay actualizaciones de tecnología o software en nuestro producto.



DESCRIPCION DE LOS SIMBOLOS

Los símbolos utilizados en este manual tienen como objetivo advertirle de los posibles riesgos. Lea atentamente

Lea las señales de seguridad y las instrucciones que aparecen a continuación. Las advertencias en sí mismas no impiden el uso de la máquina.

riesgos y no pueden sustituir a los métodos adecuados para evitar accidentes.



Este símbolo, colocado antes de un comentario de seguridad, indica un tipo de precaución, advertencia o

Peligro. Ignorar esta advertencia puede provocar un accidente. Para reducir el riesgo de lesiones, incendios o electrocución, siga siempre las recomendaciones que se muestran a continuación.



ADVERTENCIA - Para reducir el riesgo de lesiones, los usuarios deben leer las instrucciones.

Lea el manual con cuidado.

Consulte la sección correspondiente de este manual de usuario antes de realizar cualquier operación.



ADVERTENCIA: Asegúrese de usar protectores para los ojos, máscaras antipolvo y guantes cuando utilice

Este producto.



Este producto está sujeto a las disposiciones de la Directiva Europea 2012/19/CE.

El símbolo que muestra un contenedor con ruedas tachado indica que el producto requiere

recogida selectiva de residuos en la Unión Europea. Este símbolo se aplica a la

producto y todos los accesorios marcados con este símbolo. Los productos marcados como tales

No se pueden desechar con la basura doméstica normal, sino que deben llevarse a un

Punto de recogida para el reciclaje de aparatos eléctricos y electrónicos.



Este dispositivo cumple con la Parte 15 de las Normas de la FCC. Su funcionamiento está sujeto a las siguientes dos condiciones: (1) Este dispositivo no puede causar interferencias dañinas, y (2) este dispositivo debe aceptar cualquier interferencia recibida, incluida la interferencia que Puede provocar un funcionamiento no deseado.

INSTRUCCIONES DE SEGURIDAD



ADVERTENCIA: Lea todas las advertencias de seguridad, instrucciones, ilustraciones y

Especificaciones proporcionadas con esta herramienta eléctrica. No seguir todas las instrucciones enumeradas Lo siguiente puede provocar descarga eléctrica, incendio y/o lesiones graves.

Guarde todas las advertencias e instrucciones para futuras consultas.



Advertencias generales de seguridad para herramientas eléctricas - Seguridad en el área de trabajo

a) Mantenga el área de trabajo limpia y bien iluminada. Las áreas desordenadas u oscuras son una invitación a los accidentes. b) No opere herramientas eléctricas en atmósferas explosivas, como en presencia de líquidos, gases o polvos inflamables. Las herramientas eléctricas generan chispas que pueden provocar incendios, el polvo o los humos.

c) Mantenga a los niños y a las personas que se encuentren cerca de usted alejados mientras utiliza una herramienta eléctrica. Distracciones puede hacer que pierdas el control. d) Antes de

trabajar para atar los puños, las mujeres necesitan usar un buen sombrero de mujer, cabello largo oculto en el sombrero, está estrictamente prohibido usar guantes. Cuando la construcción es

Una vez completado, el interruptor debe apagarse antes de salir.



Advertencias generales de seguridad para herramientas eléctricas: seguridad eléctrica

a) Los enchufes de las herramientas eléctricas deben coincidir con la toma de corriente. Nunca modifique el enchufe de ninguna manera.

No utilice ningún enchufe adaptador con herramientas eléctricas conectadas a tierra. Enchufes sin modificar

Además, las tomas de corriente compatibles reducirán el riesgo de descarga eléctrica.

b) Evite el contacto del cuerpo con superficies conectadas a tierra, como tuberías, radiadores, estufas y refrigeradores.

Existe un mayor riesgo de descarga eléctrica si su cuerpo

c) No exponga las herramientas

eléctricas a la lluvia ni a condiciones húmedas. El agua que entra en una herramienta eléctrica

La herramienta aumentará el riesgo de descarga eléctrica.

d) No maltrate el cable. Nunca lo utilice para transportar, tirar o desenchufar.

la herramienta eléctrica. Mantenga el cable alejado del calor, aceite, bordes afilados o piezas móviles.

Los cables dañados o enredados aumentan el riesgo de descarga eléctrica. e) Cuando utilice

una herramienta eléctrica al aire libre, utilice un cable de extensión adecuado

Uso en exteriores. El uso de un cable apto para uso en exteriores reduce el riesgo de descarga eléctrica.

choque.

f) Si es inevitable utilizar una herramienta eléctrica en un lugar húmedo, utilice un protector contra fallas a tierra.

Suministro protegido con interruptor diferencial (GFCI). El uso de un GFCI reduce el riesgo de

descarga eléctrica.



Advertencias generales de seguridad para herramientas eléctricas: seguridad personal

a) Manténgase alerta, preste atención a lo que hace y use el sentido común al operar un vehículo.

herramienta eléctrica. No utilice una herramienta eléctrica si está cansado o bajo la influencia de

Drogas, alcohol o medicamentos. Un momento de distracción mientras se manejan herramientas eléctricas.

puede provocar lesiones personales graves. b) Utilice

equipo de protección personal. Utilice siempre protección para los ojos.

Equipo como mascarilla antipolvo, calzado de seguridad antideslizante, casco o audífonos.

La protección utilizada para las condiciones adecuadas reducirá las lesiones personales. c) Evite el

arranque involuntario. Asegúrese de que el interruptor esté en la posición de apagado antes de

conectar a la fuente de alimentación y/o paquete de baterías, levantar o transportar la herramienta.

Llevar herramientas eléctricas con el dedo en el interruptor o energizar herramientas eléctricas que

Tener el interruptor encendido invita a los accidentes.

d) Retire cualquier llave de ajuste o llave inglesa antes de encender la herramienta eléctrica.

Una llave o una llave que se deje colocada en una parte giratoria de la herramienta eléctrica puede provocar

e) No se estire

demasiado. Mantenga el equilibrio y la posición adecuada en todo momento. Esto le permitirá

Mejor control de la herramienta eléctrica en situaciones inesperadas.

f) Vístase adecuadamente. No use ropa suelta ni joyas. Mantenga su cabello y

Mantenga la ropa alejada de las piezas móviles. La ropa suelta, las joyas o el pelo largo pueden atrapado en partes móviles. g) Si

se proporcionan dispositivos para la conexión de extracción y recolección de polvo

Instalaciones, asegúrese de que estén conectadas y se utilicen correctamente. Uso de sistemas de recolección de polvo

Puede reducir los peligros relacionados con el polvo.

h) No permita que la familiaridad adquirida con el uso frecuente de herramientas le haga volverse

complacientes e ignoran los principios de seguridad de las herramientas. Una acción descuidada puede causar graves lesión en una fracción de segundo.

I) Este producto no es un juguete. Manténgalo fuera del alcance de los niños.

J) Utilice únicamente equipos de seguridad que hayan sido aprobados por una autoridad competente.

agencia de normas. El equipo de seguridad no aprobado puede no proporcionar la protección adecuada

La protección ocular debe estar aprobada por ANSI y la protección respiratoria debe

estar aprobado por NIOSH para los peligros específicos en el área de trabajo.

K) No deje la herramienta en el suelo hasta que se haya detenido por completo. Las piezas móviles pueden

Agarra la superficie y saca la herramienta de tu control.

L) Cuando utilice una herramienta eléctrica portátil, sujete firmemente la herramienta con ambas manos.

manos para resistir el par de arranque.

M) No deje la herramienta desatendida cuando la batería esté conectada. Apague

la herramienta y retire la batería antes de partir.

N) Las personas con marcapasos deben consultar a su médico antes de usarlo.

Los campos electromagnéticos en las proximidades del marcapasos cardíaco podrían causar interferencia del marcapasos o falla del marcapasos.

O) Las advertencias, precauciones e instrucciones comentadas en este instructivo.

El manual no puede cubrir todas las posibles condiciones y situaciones que pueden ocurrir. Debe

El operador debe entender que el sentido común y la precaución son factores que

No se puede incorporar a este producto, sino que debe ser suministrado por el operador.

Uso y cuidado de herramientas eléctricas

a) No fuerce la herramienta eléctrica. Utilice la herramienta eléctrica correcta para su aplicación.

La herramienta eléctrica correcta hará el trabajo mejor y de manera más segura a la velocidad para la que fue diseñada.

b) No utilice

la herramienta eléctrica si el interruptor no la enciende y apaga. Cualquier interruptor de alimentación

La herramienta que no se puede controlar con el interruptor es peligrosa y debe repararse.

- c) Desconecte el enchufe de la fuente de alimentación y/o retire la batería, si desmontable, de la herramienta eléctrica antes de realizar cualquier ajuste, cambio accesorios o almacenar herramientas eléctricas. Estas medidas de seguridad preventivas reducen el riesgo de
- d) Guarde las herramientas eléctricas que no estén en uso fuera del alcance de los niños y no permita que otras personas las utilicen. no está familiarizado con la herramienta eléctrica o con estas instrucciones para operar la herramienta eléctrica. Las herramientas eléctricas son peligrosas en manos de usuarios no capacitados. e) Realice el mantenimiento de las herramientas eléctricas y sus accesorios. Compruebe si están desalineadas o atascadas. partes móviles, rotura de piezas y cualquier otra condición que pueda afectar la potencia Funcionamiento de la herramienta eléctrica. Si está dañada, haga reparar la herramienta eléctrica antes de usarla. Los accidentes son causados por herramientas eléctricas mal mantenidas.
- f) Mantenga las herramientas de corte afiladas y limpias. Las herramientas de corte debidamente mantenidas y afiladas Los bordes cortantes tienen menos probabilidades de atascarse y son más fáciles de controlar. g) Utilice la herramienta eléctrica, los accesorios y las brocas, etc. de acuerdo con estas instrucciones, teniendo en cuenta las condiciones de trabajo y el trabajo a realizar Utilización de la herramienta eléctrica para operaciones distintas a las previstas Podría dar lugar a una situación peligrosa.
- h) Mantener los mangos y superficies de agarre secos, limpios y libres de aceite y grasa. Los mangos resbaladizos y las superficies de agarre no permiten una manipulación y un control seguros. de la herramienta en situaciones inesperadas.
- i) Confirme la cantidad de voltios de voltaje antes de usarlo. El voltaje de funcionamiento es No más de $\pm 5\%$. Si es más de eso, provocará quemaduras en el motor y fugas. accidentes.
- j) Durante la construcción, preste atención para evitar que entre agua en el motor o Bloquear el orificio de ventilación para no reducir el rendimiento de disipación de calor. del motor y provocar que el motor se queme.
- k) En la construcción de placas de acero, preste atención a la seguridad de la parte inferior. Capa de personal y mercancías, perforación de vigas y columnas de hierro, prestar atención a la seguridad de la estructura del edificio.
- L) En funcionamiento con suspensión, el cinturón de seguridad debe estar bien atado y el sistema magnético Taladro fijo para evitar fallas repentinas de energía o fallas de energía causadas por accidentes.
- M) No corte el cable de alimentación ni cambie el enchufe usted mismo. Esto provocará máquina para quemar.

Servicio

- a) Haga que un técnico de reparación calificado repare su herramienta eléctrica utilizando únicamente piezas idénticas.
- b) En cualquier caso, se debe poner en marcha sin carga. Está prohibido poner en marcha la herramienta eléctrica sin necesidad de utilizar piezas de repuesto.
- carga, para evitar daños a la máquina. Preste atención a la estabilidad.
- del taladro magnético cuando se trabaja a gran altura, para evitar que la máquina
- c) Asegúrese de que el
- cable de tierra esté conectado a tierra de manera confiable. d) Al moverlo, el
- taladro magnético debe levantarse para evitar dañarlo.
- base magnética. e)
- En el mantenimiento se deben utilizar las piezas originales, con el fin de hacer funcionar la máquina.
- para lograr el mejor estado de uso.
- f) Mantenga las etiquetas y placas de identificación en la herramienta. Éstas contienen información de seguridad importante.
- Información. Si no se puede leer o falta algún elemento, póngase en contacto con VEVOR para obtener un reemplazo.



Seguridad frente a vibraciones

Esta herramienta vibra durante el uso. La exposición repetida o prolongada a la vibración puede causar lesiones físicas temporales o permanentes, particularmente en las manos, brazos y Hombros. Para reducir el riesgo de lesiones relacionadas con la vibración:

a. Cualquier persona que utilice herramientas vibratorias con regularidad o durante un período prolongado debe primero ser examinado por un médico y luego tener controles médicos regulares para asegurar su salud.

El uso no causa ni empeora los problemas. Las mujeres embarazadas o las personas que tienen circulación sanguínea deteriorada en la mano, lesiones pasadas en la mano, problemas nerviosos trastornos del sistema nervioso, diabetes o enfermedad de Raynaud no deben utilizar esta herramienta. Si siente algún síntoma relacionado con la vibración (como hormigueo, entumecimiento y piel blanca o

b. No fume durante el uso. La nicotina reduce el suministro de sangre a las manos y los dedos.

dedos, lo que aumenta el riesgo de lesiones relacionadas con la vibración.

c. Utilice guantes adecuados para reducir los efectos de la vibración en el uso

d. Utilice herramientas con la vibración más baja cuando sea posible.

e. Incluir períodos libres de vibraciones cada día de trabajo.

f. Sujete la herramienta lo más suavemente posible (mientras mantiene un control seguro de la misma).

Haz el trabajo.

g. Para reducir la vibración, realice el mantenimiento de la herramienta tal como se explica en este manual. Si

Se produce una vibración anormal, deje de usarlo inmediatamente.



Seguridad de puesta a tierra

PARA EVITAR DESCARGAS ELÉCTRICAS Y MUERTE POR USO INCORRECTO

PUESTA A TIERRA: consulte con un electricista calificado si tiene dudas sobre si

El tomacorriente está correctamente conectado a tierra. No modifique el enchufe del cable de alimentación provisto con el aparato.

el cargador. No utilice el cargador si el cable de alimentación o el enchufe están dañados.

dañado, haga que lo repare un centro de servicio antes de usarlo. Si el enchufe no encaja en el

toma de corriente, haga que un electricista calificado instale una toma de corriente adecuada.

MODELO Y PARÁMETROS

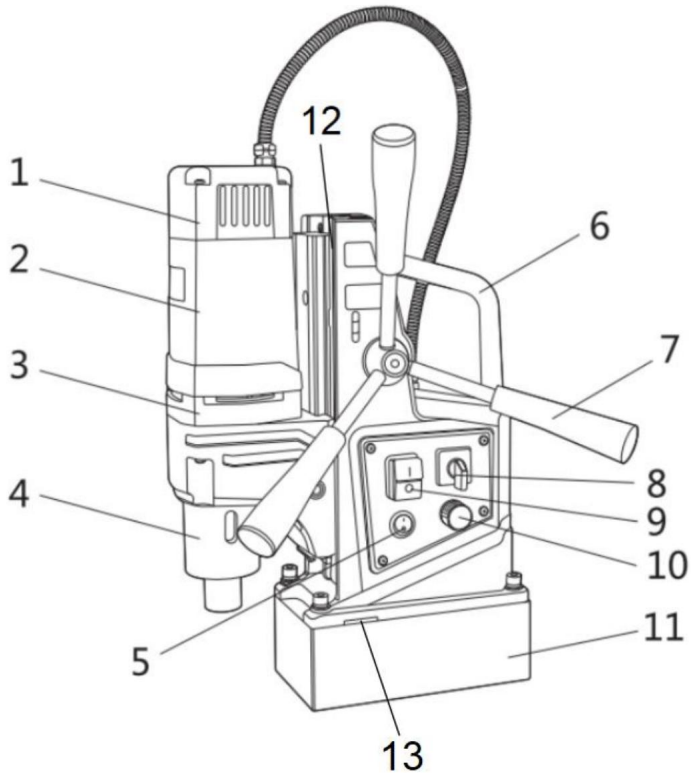
ENTRADA: CA 230 V 50 Hz (EUR/AUS)

Modelo	ZT-40H	ZT-45H	MD-50	MDP-50
Diámetro del agujero (hueco taladro)(mm)	Φ40mm	Φ40mm	Φ50mm	Φ50mm
Taladro giratorio de masa frita Diámetro (mm)	Φ3-Φ16	Φ3-Φ16	Φ3-Φ16	Φ3-Φ16
Diámetro de roscado (mm)	/	3-16	3-16	/
Profundidad de perforación (mm)	50	50	50	50
Atracción magnética (N)	12500	12500	13000	12800
Velocidad (rpm)	850	0-830 rpm (Adelante) 0-800 rpm (RDO)	0-570 0-850 rpm (Adelante) 0-800 rpm (RDO)	
Viaje (mm)	220	220	210	220
Aporte	CA 230 V 50 Hz (EUR/AUS)			
Potencia (W)	1450	1450	1600	1450
Fusible(A)	15			
Dirección de rotación	Adelante Adelante/ Contrarrestar		Adelante Adelante/ Contrarrestar	

ENTRADA: CA 120 V 60 Hz (EE. UU.)

Modelo	ZT-40H	ZT-45H	MD-50	MDP-50
Diámetro del agujero (hueco) taladro)(mm)	Φ40mm	Φ40mm	Φ50mm	Φ50mm
Taladro giratorio de masa frita Diámetro (mm)	Φ3-Φ16	Φ3-Φ16	Φ3-Φ16	Φ3-Φ16
Diámetro de roscado (mm)	/	3-16	/	3-16
Profundidad de perforación (mm)	50	50	50	50
Atracción magnética (N)	12500	12500	13000	12800
Velocidad (rpm)	850	0-800 rpm (Adelante) 0-770 rpm (RDO)	0-570 0-800 rpm (Adelante) 0-750 rpm (RDO)	
Viaje (mm)	220	220	210	220
Aporte	CA 120 V 60 Hz (EE. UU.)			
Potencia (W)	1450	1450	1600	1450
Fusible(A)	15			
Dirección de rotación	Adelante Adelante/ Contrarrestar		Adelante Adelante/ Contrarrestar	

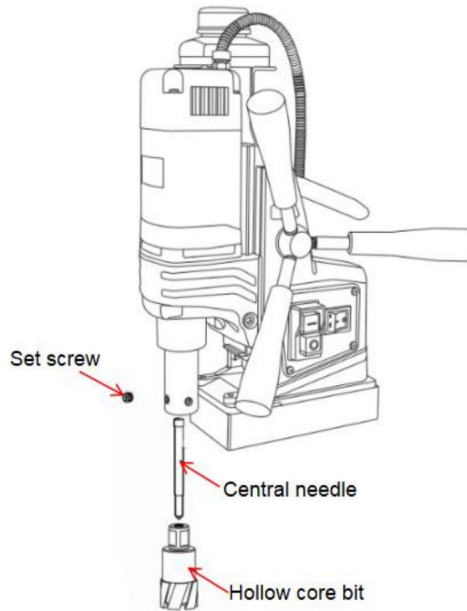
DIAGRAMA DE ESTRUCTURA



Los botones del panel de control de algunos modelos de máquinas pueden ser diferentes. Consulte el producto real para obtener información detallada.

- | | |
|--|-------------------------------------|
| 1. Tapa trasera | 2. Chasis |
| 3. Tapa intermedia | 4. Caja de cambios |
| 5. Interruptor electromagnético | 6. Manillar |
| 7. Barra de control | 8. Interruptor de avance/retroceso |
| 9. Interruptor de encendido | 10. Perilla reguladora de velocidad |
| 11. Base electromagnética | 12. Pista |
| 13. Orificio para la eslinga del cinturón de seguridad | |

FUNCIONAMIENTO Y USO



1. La broca debe estar afilada. Al instalar la broca hueca, inserte la aguja central en la broca hueca, instale la broca hueca en el eje de salida y, por último, apriete el tornillo de fijación para asegurar la broca hueca.
2. Coloque el taladro magnético cerca de la posición de perforación requerida, enchufe el enchufe de alimentación, alinee la broca con la posición de mecanizado y luego encienda el interruptor del electroimán para que el electroimán pueda ser absorbido por la superficie de los materiales magnéticos como el acero. (espesor de placa superior a 15 mm)
(Preste atención a seleccionar materiales de adsorción adecuados y asegúrese de que no haya residuos en la superficie de adsorción, verifique si la fuerza magnética es normal).
3. La máquina debe estar sujeta con un cinturón de seguridad cuando se trabaja en el lateral o en la parte superior.
4. Pase un extremo del cinturón de seguridad por el orificio del mango del marco, ate el otro extremo al marco resistente y luego abroche los cierres.
(Intenta tirar con la mano, no debe quedar suelto ni desplazado).

5. Encienda el interruptor de encendido para verificar si la broca está golpeando y el sonido es estable. Si todo está normal, abra primero la válvula de agua para que el fluido de corte En el aceite puede salir y luego girar la manija para alimentar

(Nota: No abra la válvula de agua cuando trabaje en la posición lateral y superior)

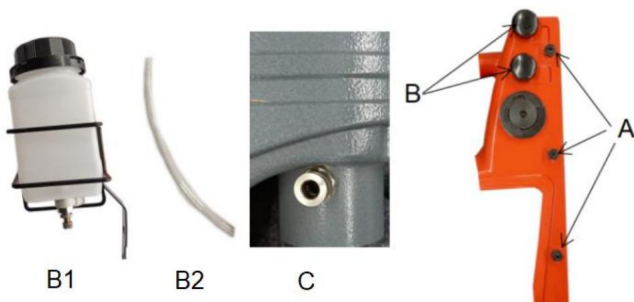
6. Al principio, la alimentación debe ser lenta. No haga demasiado esfuerzo en caso de sobrecarga.

7. Si el motor se detiene repentinamente o se atasca debido a una falla, el interruptor de control del taladro 9 debe apagarse inmediatamente (Nota: no apague el interruptor electromagnético 5).

Después de un uso continuo durante 2-3 horas, es necesario descansar para evitar la Asiento electromagnético que se quema por sobrecalentamiento.

8. Cuando la escobilla de carbón esté desgastada, reemplácela a tiempo (ambas debe reemplazarse al mismo tiempo).

ENFRIAMIENTO Y AJUSTE DE LA PISTA



1. Fije B1 en B, luego conecte B2 a B1 y C.

2. Gire el joystick para determinar si la tensión de la pista cumple con los requisitos.

Requisitos de perforación. Si la estanqueidad no es la ideal, puede ajustarla con la apertura llave y la llave hexagonal en el accesorio.

a) Afloje la tuerca hexagonal en el lugar A con una llave abierta. b)

Utilice la llave hexagonal para ajustar el tornillo de fijación en A y gire el joystick 7

Al mismo tiempo, sentir si la tensión de la pista alcanza el estado ideal.

c)

Después del ajuste, apriete la tuerca hexagonal en A con la llave de boca.

Nota: La tensión de la pista se ha ajustado antes de salir de fábrica. Si

No ha habido vibraciones fuertes, caídas ni otras condiciones, no lo ajuste.

INSTRUCCIONES PARA SOLUCIONAR PROBLEMAS

Problema	Razón	Solución
El soporte magnético no tiene succión.	Mal contacto del interruptor.	Interruptor de reparación.
	La energía está apagada.	Reparando la energía
	El fusible se ha fundido.	Reemplazar el fusible
	Cortocircuito del electroimán circuito o quemarse.	Reparar o reemplazar el base magnética.
	No se adsorbe en Piezas de acero.	Cambiar o espesar el superficie de adsorción (espesor > 15mm).
La máquina no funciona después de encender la energía.	Mal contacto del interruptor.	Interruptor de reparación.
	Enchufe suelto.	Conectando la energía
	El cepillo no póngase en contacto con el conmutador.	Reemplazar el cepillo.
La succión del asiento magnético es débil.	La pieza de trabajo adsorbida es demasiado delgada	Cambiar o espesar el superficie de adsorción (espesor > 15mm).
	Pequeño adsorbible superficie.	Cambiar la adsorción superficie o temporalmente soldar la adsorción espesa
Aparecen agujeros elípticos en los agujeros de perforación.	La vibración provocó que sujetador para aflojar.	Apriete el sujetador después corrigiendo la verticalidad.
	El taladro corta solo en una	Broca para reafilarse.
	Hay escombros en el superficie de adsorción.	Eliminar el desorden.

MANTENIMIENTO Y ALMACENAMIENTO

NOTA: Retire el enchufe antes de realizar el mantenimiento.

1. Después de cada uso, limpie la parte inferior del taladro con asiento magnético y consérvelo adecuadamente.
2. Unte con mantequilla la pista a tiempo cuando el deslizamiento no sea suave.
3. Compruebe periódicamente el dispositivo de protección eléctrica.
4. Si la conexión a tierra es confiable.
5. Por favor, realice el check-in a tiempo durante la temporada de lluvias.

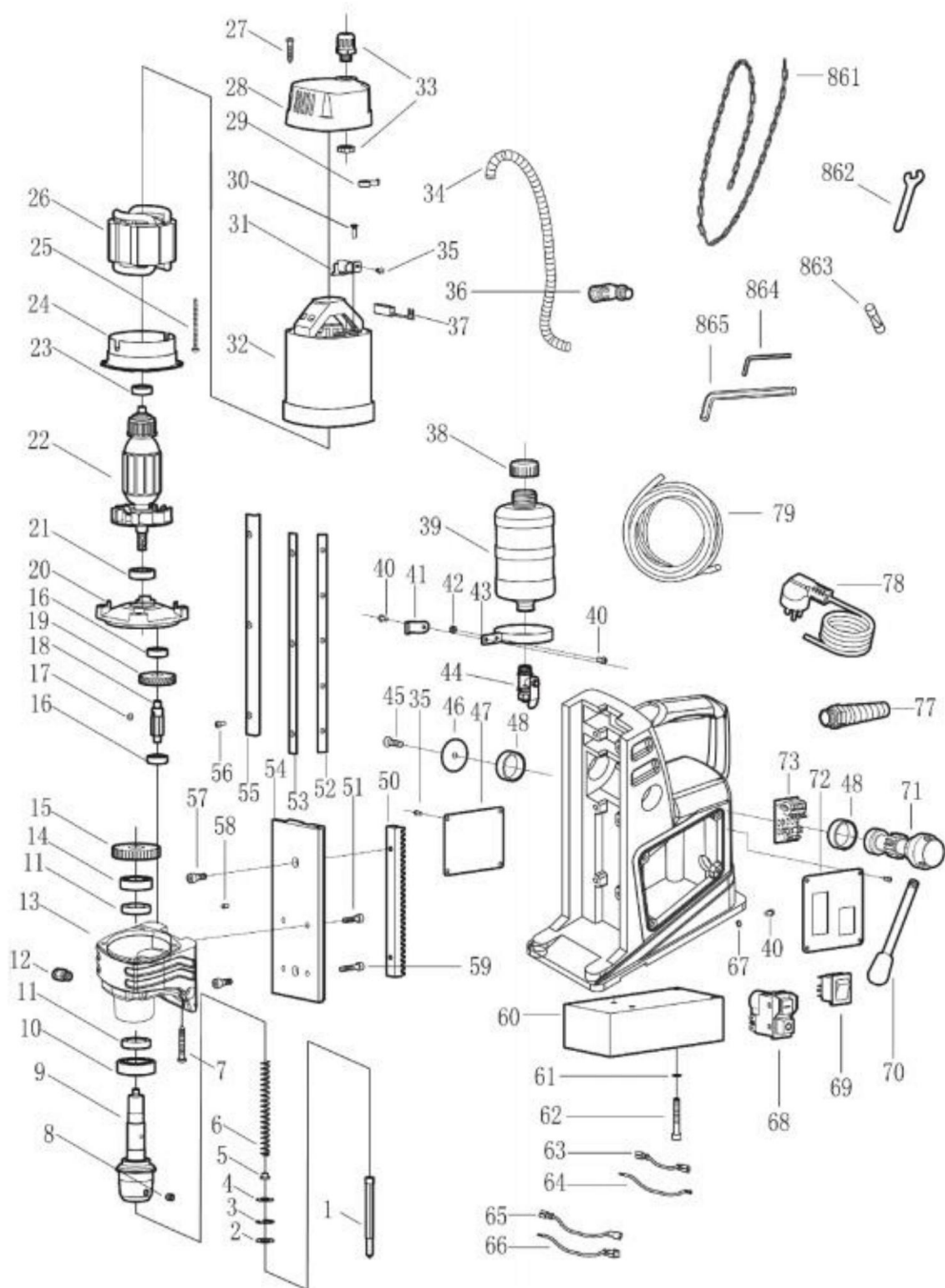


TABLA DE COMPARACIÓN DE COMPONENTES

No.	Nombre	No.	Nombre	No.	Nombre
1	Aguja central	29	Muelle en espiral	57	Perno M6 x 6
2	Almohadilla de goma	30	Tornillo de rosca ST2.9 x9.5	58	Pasador cilíndrico x 10
3	Anillo de retención elástico 19	31	Portaescobillas componente	59	Perno M5x25
4	Empaquetadora	32	Fijación de cable de nailon componente de cabeza	60	Imán eléctrico
5	Tapón de resorte	33	Manguera	61	Junta de resorte 6
6	Primavera	34	Perno m4x6	62	Perno M6 x 40
7	Tornillo de rosca ST4.8 x40	35	Retenedor de cable en codo componente	63	Conectar el cable 2
8	Zócalo hexagonal tornillo M8x8	36	Escobilla de carbón	64	Conectar el cable 3
9	Eje de salida	37	El aceite puede cubrir	65	Conectar el cable 1
10	Cojinete 6004	38	Lata de aceite	66	Conectar el cable 4
11	Anillo de sellado	39	Perno M4x10	67	Junta 4
12	Conector APC R1/8	40	Placa de fijación de cables	68	Electromagnético cambiar
13	Caja reductora	41	Tuerca M4	69	Interruptor de placa oscilante
14	Cojinete 6003	42	Anillo de retención de lata de aceite	70	Componente de varilla
15	Engranaje 4#	43	Válvula de agua componente G1/4	71	Eje de cremallera
16	Cojinete 608	44	Perno M6 x 20	72	Placa de fijación del interruptor
17	Llave plana 4x4x6	45	Empaquetadora	73	Tarjeta de circuitos
18	Eje de engranaje n.° 3	46	Placa de identificación	74	Perno M5 x 16
19	Engranaje n.° 2	47	Anillo del eje	75	Tuerca M5

20	Cubierta intermedia	48	Almohadilla de tornillo Combinación M6x16	76	Base
21	Cojinete 6001	49	Estante	77	Fijación de cable con tornillos cabeza
22	Rotor	50	Perno M5 x 20	78	Conector de cable enchufar
23	Cojinete 608	51	Barra reguladora de vía 79		Manguera de PU
24	Anillo de protección contra el viento	52	Barra de seguimiento A	861	Cinturón de seguridad
25	Tornillo de rosca ST4 x 52	53	Placa de riel guía	862	Llave abierta 8mm
26	Estator	54	Barra de seguimiento B	863	Fusible
27	Tornillo de rosca ST4.2 x25	55	Tornillo de rosca ST2.9 x9.5	864	Hexagonal abierto llave de 2,5 mm
28	Tapa trasera	56	Perno M3 x 6	865	Hexagonal abierto llave de 4 mm

VEVOR[®]

TOUGH TOOLS, HALF PRICE

Soporte técnico y certificado de garantía
electrónica www.vevor.com/support

VEVOR®

TOUGH TOOLS, HALF PRICE

Supporto tecnico e certificato di garanzia elettronica www.vevor.com/support

TRAPANO A BASE MAGNETICA

Modello: ZT-40H/ZT-45H/MD-50/MDP-50

Continuiamo a impegnarci per fornirvi strumenti a prezzi competitivi.

"Risparmia la metà", "Metà prezzo" o qualsiasi altra espressione simile da noi utilizzata rappresenta solo una stima del risparmio che potresti ottenere acquistando determinati utensili con noi rispetto ai principali marchi principali e non significa necessariamente coprire tutte le categorie di utensili da noi offerti. Ti ricordiamo gentilmente di verificare attentamente quando effettui un ordine con noi se stai effettivamente risparmiando la metà rispetto ai principali marchi principali.

VEVOR®

TOUGH TOOLS, HALF PRICE

TRAPANO A BASE MAGNETICA
MANUALE D'USO

MODELLO: ZT-40H/ZT-45H/MD-50/MDP-50



NOTA: i pulsanti sul pannello di controllo di alcuni modelli di macchine potrebbero essere diversi. Per informazioni dettagliate, vedere il prodotto reale.

HAI BISOGNO DI AIUTO? CONTATTACI!

Hai domande sui prodotti? Hai bisogno di supporto tecnico? Non esitare a contattarci:

**Supporto tecnico e certificato di garanzia
elettronica www.vevor.com/support**

Questa è l'istruzione originale, si prega di leggere attentamente tutte le istruzioni del manuale prima di utilizzare. VEVOR si riserva una chiara interpretazione del nostro manuale utente. L'aspetto del prodotto sarà soggetto al prodotto ricevuto. Vi preghiamo di perdonarci se non vi informeremo di nuovo se ci sono aggiornamenti tecnologici o software sul nostro prodotto.



DESCRIZIONE DEI SIMBOLI

I simboli utilizzati in questo manuale hanno lo scopo di avvisarti dei possibili rischi. Si prega di leggere attentamente leggere i segnali di sicurezza e le istruzioni di seguito. L'avvertimento stesso non impedisce i rischi e non possono sostituire i metodi adeguati per evitare incidenti.



Questo simbolo, posto prima di un commento di sicurezza, indica un tipo di precauzione, avvertimento o pericolo. Ignorare questo avviso può causare un incidente. Per ridurre il rischio di lesioni, incendi o elettrocuzione, si prega di seguire sempre le raccomandazioni indicate di seguito.



ATTENZIONE - Per ridurre il rischio di lesioni, gli utenti devono leggere le istruzioni manuale con attenzione.

Prima di qualsiasi operazione, fare riferimento alla sezione appropriata di questo manuale utente.



ATTENZIONE: assicurarsi di indossare protezioni per gli occhi, maschere antipolvere e guanti durante l'uso questo prodotto.



Questo prodotto è soggetto alle disposizioni della Direttiva Europea 2012/19/CE.

il simbolo raffigurante un bidone della spazzatura barrato indica che il prodotto richiede raccolta differenziata dei rifiuti nell'Unione Europea. Questo simbolo si applica alla prodotto e tutti gli accessori contrassegnati con questo simbolo. I prodotti contrassegnati come tali non possono essere smaltiti insieme ai normali rifiuti domestici ma devono essere portati in un punto di raccolta per il riciclaggio di apparecchiature elettriche ed elettroniche.



Questo dispositivo è conforme alla Parte 15 delle Norme FCC. Il funzionamento è soggetto a seguenti due condizioni: (1) Questo dispositivo non può causare interferenze dannose e (2) questo dispositivo deve accettare qualsiasi interferenza ricevuta, comprese le interferenze che potrebbe causare un funzionamento indesiderato.

ISTRUZIONI DI SICUREZZA



ATTENZIONE: leggere tutte le avvertenze di sicurezza, le istruzioni, le illustrazioni e

specifiche fornite con questo elettrotensile. La mancata osservanza di tutte le istruzioni elencate di seguito può causare scosse elettriche, incendi e/o lesioni gravi.

Conservare tutte le avvertenze e le istruzioni per riferimento futuro.



Avvertenze generali sulla sicurezza degli utensili elettrici - Sicurezza dell'area di lavoro

a) Mantenere l'area di lavoro pulita e ben illuminata. Le aree disordinate o buie favoriscono gli incidenti. b) Non utilizzare utensili elettrici in atmosfere esplosive, come in presenza di

di liquidi, gas o polvere infiammabili. Gli utensili elettrici creano scintille che possono incendiarsi la polvere o i fumi.

c) Tenere lontani i bambini e gli astanti mentre si utilizza un elettrotensile. Distrazioni può farti perdere il controllo. d) Prima di

lavorare per legare i polsini, le donne devono indossare un buon cappello da donna, capelli lunghi nascosto nel cappello, è severamente vietato indossare guanti. Quando la costruzione è

Una volta completata l'operazione, è necessario spegnere l'interruttore prima di partire.



Avvertenze generali sulla sicurezza degli utensili elettrici - Sicurezza elettrica

a) Le spine degli utensili elettrici devono essere adatte alla presa. Non modificare mai la spina in alcun modo. non utilizzare adattatori con utensili elettrici con messa a terra. Spine non modificate

e prese di corrente abbinata ridurranno il rischio di scosse elettriche.

b) Evitare il contatto del corpo con superfici messe a terra o a massa, come tubi, radiatori, fornelli e frigoriferi. C'è un rischio maggiore di scosse elettriche se il corpo è collegato a terra o a massa. c)

Non esporre gli utensili elettrici alla pioggia o a condizioni di bagnato. L'acqua che entra in un apparecchio elettrico utensile aumenta il rischio di scosse elettriche.

d) Non abusare del cavo. Non utilizzare mai il cavo per trasportare, tirare o scollegare l'utensile elettrico. Tenere il cavo lontano da calore, olio, bordi taglienti o parti in movimento.

I cavi danneggiati o aggrovigliati aumentano il rischio di scosse elettriche. e) Quando si utilizza un elettroscopio all'aperto, utilizzare una prolunga adatta per uso esterno. L'uso di un cavo adatto all'uso esterno riduce il rischio di scosse elettriche. shock.

f) Se è inevitabile utilizzare un elettroscopio in un luogo umido, utilizzare un interruttore differenziale. alimentazione protetta da interruttore differenziale (GFCI). L'uso di un GFCI riduce il rischio di scossa elettrica.



Avvertenze generali sulla sicurezza degli utensili elettrici - Sicurezza personale

a) Rimani vigile, guarda cosa stai facendo e usa il buon senso quando gestisci un elettroscopio. Non utilizzare un elettroscopio quando si è stanchi o sotto l'effetto di droghe, alcol o farmaci. Un momento di disattenzione durante l'uso di utensili elettrici può causare gravi lesioni personali. b) Utilizzare

dispositivi di protezione individuale. Indossare sempre protezioni per gli occhi.

attrezzature come maschera antipolvere, scarpe antinfortunistiche antiscivolo, casco o udito protezione utilizzata per le condizioni appropriate ridurrà i danni personali. c) Prevenire l'avviamento

involontario. Assicurarsi che l'interruttore sia in posizione di spegnimento prima

collegamento alla fonte di alimentazione e/o alla batteria, sollevamento o trasporto dell'utensile.

Trasportare utensili elettrici tenendo il dito sull'interruttore o alimentare utensili elettrici che tenere l'interruttore acceso favorisce gli incidenti.

d) Rimuovere qualsiasi chiave di regolazione o chiave inglese prima di accendere l'utensile elettrico.

una chiave inglese o una chiave lasciata attaccata a una parte rotante dell'utensile elettrico può causare lesioni personali. e)

Non sporgersi troppo. Mantenere sempre un appoggio e un equilibrio adeguati. Ciò consente migliore controllo dell'utensile elettrico in situazioni impreviste.

- f) Vestitevi in modo appropriato. Non indossate abiti larghi o gioielli. Tenete i capelli e vestiti lontano dalle parti in movimento. Vestiti larghi, gioielli o capelli lunghi possono essere intrappolati in parti in movimento.
- g) Se sono previsti dispositivi per il collegamento di sistemi di aspirazione e raccolta della polvere strutture, assicurarsi che siano collegate e utilizzate correttamente. Utilizzo di sistemi di raccolta della polvere può ridurre i rischi legati alla polvere.
- h) Non lasciare che la familiarità acquisita con l'uso frequente degli strumenti ti permetta di diventare compiacenti e ignorano i principi di sicurezza degli utensili. Un'azione negligente può causare gravi lesioni in una frazione di secondo.
- I) Questo prodotto non è un giocattolo. Tenerlo fuori dalla portata dei bambini.
- J) Utilizzare solo dispositivi di sicurezza approvati da un ente appropriato agenzia di standardizzazione. Le attrezzature di sicurezza non approvate potrebbero non fornire un'adeguata protezione. La protezione degli occhi deve essere approvata ANSI e la protezione delle vie respiratorie deve essere approvato dal NIOSH per i rischi specifici dell'area di lavoro.
- K) Non appoggiare l'utensile finché non si è completamente fermato. Le parti mobili possono afferra la superficie e toglie l'utensile dal tuo controllo.
- L) Quando si utilizza un elettrodotto portatile, mantenere una presa salda sull'utensile con entrambe le mani. mani per resistere alla coppia di avviamento.
- M) Non lasciare l'utensile incustodito quando il pacco batteria è collegato. Spegnere l'utensile e rimuovere la batteria prima di partire.
- N) Le persone portatrici di pacemaker devono consultare il proprio medico prima dell'uso. I campi elettromagnetici in prossimità del pacemaker cardiaco potrebbero causare interferenza o guasto del pacemaker.
- O) Le avvertenze, le precauzioni e le istruzioni discusse in questa istruzione il manuale non può coprire tutte le possibili condizioni e situazioni che possono verificarsi. Deve essere compreso dall'operatore che il buon senso e la cautela sono fattori che non può essere integrato in questo prodotto, ma deve essere fornito dall'operatore

Uso e cura degli utensili elettrici

- a) Non forzare l'utensile elettrico. Utilizzare l'utensile elettrico corretto per la propria applicazione. l'utensile elettrico corretto svolgerà il lavoro meglio e in modo più sicuro alla velocità per cui è stato progettato progettato. b)
- Non utilizzare l'utensile elettrico se l'interruttore non lo accende e spegne. Qualsiasi potenza un utensile che non può essere controllato tramite l'interruttore è pericoloso e deve essere riparato.

c) Scollegare la spina dalla fonte di alimentazione e/o rimuovere il pacco batteria, se staccabile, dall'utensile elettrico prima di effettuare qualsiasi regolazione, sostituzione accessori o per riporre gli utensili elettrici. Tali misure preventive di sicurezza riducono la rischio di avvio accidentale dell'utensile elettrico. d)

Conservare gli utensili elettrici inutilizzati fuori dalla portata dei bambini e non consentirne l'uso a persone non hanno familiarità con l'utensile elettrico o con le presenti istruzioni per l'uso dell'utensile elettrico.

Gli utensili elettrici sono pericolosi nelle mani di utenti non addestrati. e)

Manutenere gli utensili elettrici e gli accessori. Controllare che non vi siano disallineamenti o inceppamenti di parti in movimento, rottura di parti e qualsiasi altra condizione che possa influire sulla potenza funzionamento dell'utensile. Se danneggiato, far riparare l'utensile elettrico prima dell'uso. Molti gli incidenti sono causati da utensili elettrici sottoposti a scarsa manutenzione.

f) Mantenere gli utensili da taglio affilati e puliti. Utensili da taglio adeguatamente mantenuti con affilatura i bordi taglienti hanno meno probabilità di incepparsi e sono più facili da controllare. g) Utilizzare l'utensile elettrico, gli accessori e le punte degli utensili ecc. in conformità con queste istruzioni, tenendo conto delle condizioni di lavoro e del lavoro da svolgere eseguito. Utilizzo dell'utensile elettrico per operazioni diverse da quelle previste potrebbe causare una situazione pericolosa.

h) Mantenere le maniglie e le superfici di presa asciutte, pulite e prive di olio e grasso.

Le maniglie e le superfici di presa scivolose non consentono una manipolazione e un controllo sicuri dello strumento in situazioni impreviste.

i) Si prega di confermare il numero di volt di tensione prima dell'uso. La tensione di lavoro è non più di $\pm 5\%$. Se è superiore, causerà la combustione del motore e perdite incidenti.

j) Durante la costruzione, prestare attenzione a evitare che l'acqua entri nel motore o ostruendo il foro di ventilazione, in modo da non ridurre le prestazioni di dissipazione del calore del motore e provocarne la combustione.

k) Nella costruzione in lamiera d'acciaio, prestare attenzione alla sicurezza della parte inferiore strato di personale e merci, perforazione di travi e colonne di ferro, prestare attenzione al sicurezza della struttura dell'edificio.

L) In modalità sospensione, la cintura di sicurezza deve essere strettamente allacciata e il magnete trapano fissato per prevenire interruzioni di corrente improvvise o causate da incidenti.

M) Non tagliare il cavo di alimentazione o cambiare la spina da soli. Ciò causerà il macchina da bruciare.

Servizio

- a) Far riparare l'elettrotensile da un tecnico qualificato utilizzando solo pezzi identici parti di ricambio. Ciò garantirà che la sicurezza dell'utensile elettrico sia mantenuta. b) In ogni caso, deve essere avviato in stato di vuoto. È vietato avviare con carico, in modo da evitare danni alla macchina. Si prega di prestare attenzione alla stabilità del trapano magnetico quando si lavora ad alta quota, in modo da evitare che la macchina dalla caduta. c) Assicurarsi che il cavo di terra sia collegato a terra in modo affidabile. d) Durante lo spostamento, il trapano magnetico deve essere sollevato per evitare danni alla base magnetica. e) Nella manutenzione devono essere utilizzati i pezzi originali, al fine di rendere la macchina per raggiungere il miglior stato d'uso. f) Mantenere etichette e targhette sull'utensile. Queste contengono importanti informazioni di sicurezza. informazioni. Se illeggibili o mancanti, contattare VEVOR per una sostituzione.



Sicurezza delle vibrazioni

Questo strumento vibra durante l'uso. L'esposizione ripetuta o prolungata alle vibrazioni può causare lesioni fisiche temporanee o permanenti, in particolare alle mani, alle braccia e spalle. Per ridurre il rischio di lesioni legate alle vibrazioni:

- a. Chiunque utilizzi utensili vibranti regolarmente o per un periodo prolungato dovrebbe prima essere esaminato da un medico e poi sottoporsi a controlli medici regolari per garantire la salute i problemi non sono causati o peggiorati dall'uso. Le donne incinte o le persone che hanno una circolazione sanguigna compromessa nella mano, precedenti lesioni alla mano, nervosismo disturbi del sistema nervoso, diabete o malattia di Raynaud non dovrebbero usare questo strumento. Se avvertire sintomi correlati alle vibrazioni (come formicolio, intorpidimento e sensazione di bruciore o dita blu), consultare un medico il prima possibile. b. Non fumare durante l'uso. La nicotina riduce l'afflusso di sangue alle mani e dita, aumentando il rischio di lesioni legate alle vibrazioni. c. Indossare guanti adatti per ridurre gli effetti delle vibrazioni sull'uso. d. Quando possibile, utilizzare utensili con le vibrazioni più basse. e. Includere periodi senza vibrazioni ogni giorno di lavoro. f. Afferrare l'utensile il più delicatamente possibile (mantenendone comunque il controllo sicuro). Lasciare che l'utensile fare il lavoro.

g. Per ridurre le vibrazioni, effettuare la manutenzione dell'utensile come spiegato nel presente manuale. Se presente se si verificano vibrazioni anomale, interrompere immediatamente l'uso.



Sicurezza della messa a terra

PER PREVENIRE SCOSSE ELETTRICHE E MORTE DOVUTE A USO ERRATO

MESSA A TERRA: in caso di dubbi sulla messa a terra, rivolgersi a un elettricista qualificato.

la presa sia correttamente messa a terra. Non modificare la spina del cavo di alimentazione fornita con il caricabatterie. Non utilizzare il caricabatterie se il cavo di alimentazione o la spina sono danneggiati. se danneggiato, farlo riparare da un centro di assistenza prima dell'uso. Se la spina non si adatta al presa elettrica, far installare una presa idonea da un elettricista qualificato.

MODELLO E PARAMETRI

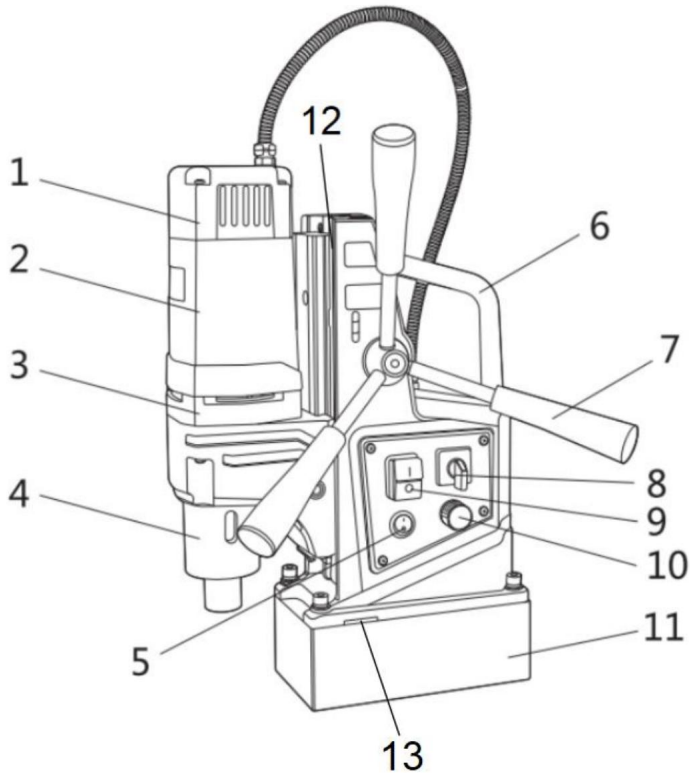
INGRESSO: CA 230 V 50 Hz (EUR/AUS)

Modello	Modello ZT-40H	Modello ZT-45H	Modello ZT-50 ...	
Diametro del foro (cavo trapano)(mm)	∅40mm ∅40mm	∅50mm ∅50mm		
Trapano a spirale per pasta fritta diametro (mm)	∅3-∅16 ∅3-∅16	∅3-∅16 ∅3-∅16		
Diametro di maschiatura (mm)	/	3-16	3-16	/
Profondità di foratura (mm)	50	50	50	50
Attrazione magnetica (N)	12500	12500	13000	12800
Velocità (giri/min)	850	0-830 giri/min (AVANTI) 0-800 giri/min (RIVISTA)	0-570 0-850	giri/min (AVANTI) 0-800 giri/min (RIVISTA)
Viaggio(mm)	220	220	210	220
Ingresso	CA 230 V 50 Hz (EUR/AU)			
Potenza (W)	1450	1450	1600	1450
Fusibile (A)	15			
Senso di rotazione	Avanti Avanti/ Inversione		Avanti Avanti/ Inversione	Inversione

INGRESSO: CA 120 V 60 Hz (USA)

Modello	Modello ZT-40H	Modello ZT-45H	Modello MD-50	
Diametro del foro (cavo trapano)(mm)	ÿ40mm	ÿ40mm	ÿ50mm	ÿ50mm
Trapano a spirale per pasta fritta diametro (mm)	ÿ3-ÿ16	ÿ3-ÿ16	ÿ3-ÿ16	ÿ3-ÿ16
Diametro di maschiatura (mm)	/	3-16	/	3-16
Profondità di foratura (mm)	50	50	50	50
Attrazione magnetica (N)	12500	12500	13000	12800
Velocità (giri/min)	850	0-800 giri/min (AVANTI) 0-770 giri/min (RIVISTA)	0-570	0-800 giri/min (AVANTI) 0-750 giri/min (RIVISTA)
Viaggio(mm)	220	220	210	220
Ingresso	CA 120 V 60 Hz (USA)			
Potenza (W)	1450	1450	1600	1450
Fusibile (A)	15			
Senso di rotazione	Avanti Avanti/ Inversione		Avanti Avanti/ Inversione	

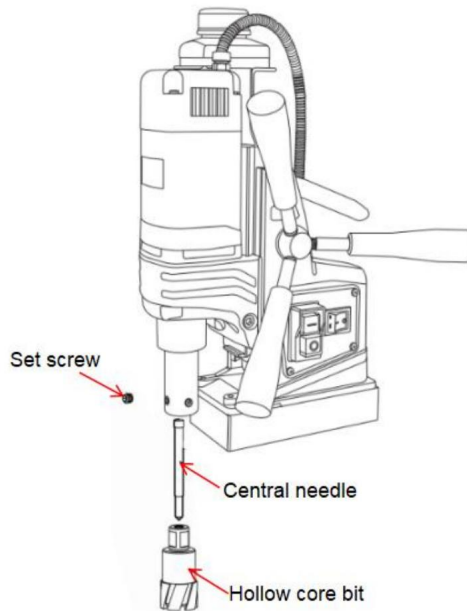
SCHEMA DELLA STRUTTURA



**I pulsanti sul pannello di controllo di alcuni modelli di macchine potrebbero essere diversi.
Per informazioni dettagliate, vedere il prodotto reale.**

- | | |
|--------------------------------------|--|
| 1. Copertura posteriore | 2. Telaio |
| 3. Copertura centrale | 4. Cambio |
| 5. Interruttore elettromagnetico | 6. Maniglia |
| 7. Asta di controllo | 8. Interruttore avanti/indietro |
| 9. Interruttore di alimentazione | 10. Manopola di regolazione della velocità |
| 11. Base elettromagnetica | 12. Traccia |
| 13. Foro
per cintura di sicurezza | |

FUNZIONAMENTO E UTILIZZO



1. La punta del trapano deve essere affilata. Quando si installa la punta cava, inserire l'ago centrale nella punta cava, installare la punta cava sull'albero di uscita e, infine, stringere la vite di fissaggio per fissare la punta cava.
2. Posizionare il trapano magnetico vicino alla posizione di foratura richiesta, collegare la spina di alimentazione, allineare la punta del trapano con la posizione di lavorazione, quindi accendere l'interruttore dell'elettromagnete in modo che l'elettromagnete possa essere assorbito sulla superficie dei materiali magnetici come l'acciaio. (spessore della piastra superiore a 15 mm)
(Prestare attenzione alla selezione di materiali di adsorbimento appropriati e assicurarsi che non vi siano detriti sulla superficie di adsorbimento, verificare che la forza magnetica sia normale).
3. Quando si lavora lateralmente o dall'alto, la macchina deve essere fissata con una cintura di sicurezza.
4. Infilare un'estremità della cintura di sicurezza nel foro della maniglia del telaio, legare l'altra estremità al telaio robusto e quindi allacciarla agli elementi di fissaggio
(Prova a tirare con la mano, non deve essere lento o spostato).

5. Accendere l'interruttore di alimentazione per verificare se la punta del trapano batte e il suono è stabile. Se tutto è normale, aprire prima la valvola dell'acqua in modo che il fluido da taglio nell'olio può fuoriuscire, quindi girare la maniglia per alimentare

(Nota: non aprire la valvola dell'acqua quando si lavora sulla posizione laterale e superiore)

6. L'alimentazione dovrebbe essere lenta all'inizio. Non sforzarsi troppo in caso di sovraccarico.

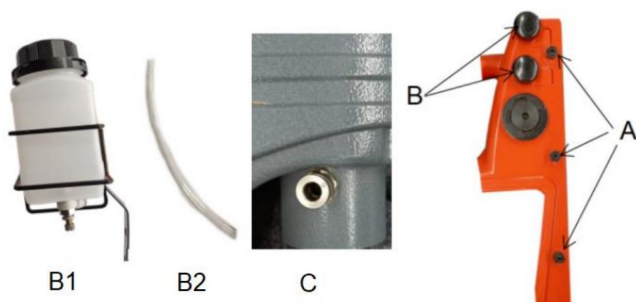
7. Se il motore si ferma improvvisamente o si blocca a causa di un guasto, l'interruttore di controllo del trapano 9 deve essere spento immediatamente (Nota: non spegnere l'interruttore elettromagnetico 5).

Dopo un uso continuo per 2-3 ore, è necessario riposare per prevenire l'

il sedile elettromagnetico non si brucia a causa del surriscaldamento.

8. Quando la spazzola di carbone è usurata, sostituirla in tempo (entrambe dovrebbero essere sostituiti contemporaneamente).

RAFFREDDAMENTO E REGOLAZIONE DELLA PISTA



1. Fissare B1 a B, quindi collegare B2 a B1 e C.

2. Ruotare il joystick per determinare se la tenuta del binario soddisfa i requisiti di foratura. Se la tenuta non è ideale, è possibile regolala con l'apertura chiave inglese e la chiave esagonale in dotazione.

a) Allentare il dado esagonale nel punto A con una chiave inglese. b)

Utilizzare la chiave inglese per regolare le vite di regolazione in A e ruotare il joystick di 7 contemporaneamente per sentire se la tenuta della pista raggiunge lo stato ideale di foratura.

c) Dopo la regolazione, serrare il dado esagonale in A con la chiave fissa.

Nota: la tenuta della pista è stata regolata prima di lasciare la fabbrica. Se

non si sono verificate forti vibrazioni, cadute o altre condizioni, si prega di non effettuare regolazioni.

ISTRUZIONI PER LA RISOLUZIONE DEI PROBLEMI

Problema	Motivo	Soluzione
Il supporto magnetico non ha aspirazione.	Contatto dell'interruttore scadente.	Riparare l'interruttore.
	La corrente è interrotta.	Riparare l'alimentazione
	Il fusibile è saltato.	Sostituire il fusibile
	Elettromagnete corto circuito o bruciatura.	Riparare o sostituire il base magnetica.
	Non viene adsorbito su parti in acciaio.	Cambiare o addensare il superficie di adsorbimento (spessore > 15mm).
La macchina non funziona dopo aver acceso la corrente.	Contatto dell'interruttore scadente.	Riparare l'interruttore.
	Spina allentata.	Collegamento dell'alimentazione
	La spazzola non contattare il commutatore.	Sostituire la spazzola.
L'aspirazione magnetica del sedile è Debole.	Il pezzo adsorbito è troppo sottile.	Cambiare o addensare il superficie di adsorbimento (spessore > 15mm).
	Piccolo assorbibile superficie.	Cambia l'adsorbimento superficie o temporaneamente saldare l'adsorbimento spesso
Appaiono dei fori ellittici in i fori di perforazione.	La vibrazione ha causato la elemento di fissaggio da allentare.	Stringere la chiusura dopo correggendo la verticalità.
	Il trapano taglia solo su uno	Punta di riaffilatura.
	Ci sono detriti sul superficie di adsorbimento.	Eliminare il disordine.

MANUTENZIONE E CONSERVAZIONE

NOTA: rimuovere la spina prima di effettuare la manutenzione.

1. Dopo ogni utilizzo, pulire la parte inferiore del trapano magnetico e conservarla correttamente.
2. Si prega di imbrattare la pista in tempo quando la scivolata non è fluida.
3. Controllare regolarmente il dispositivo di protezione elettrica.
4. Se la messa a terra è affidabile.
5. Si prega di effettuare il check-in in tempo durante la stagione delle piogge.

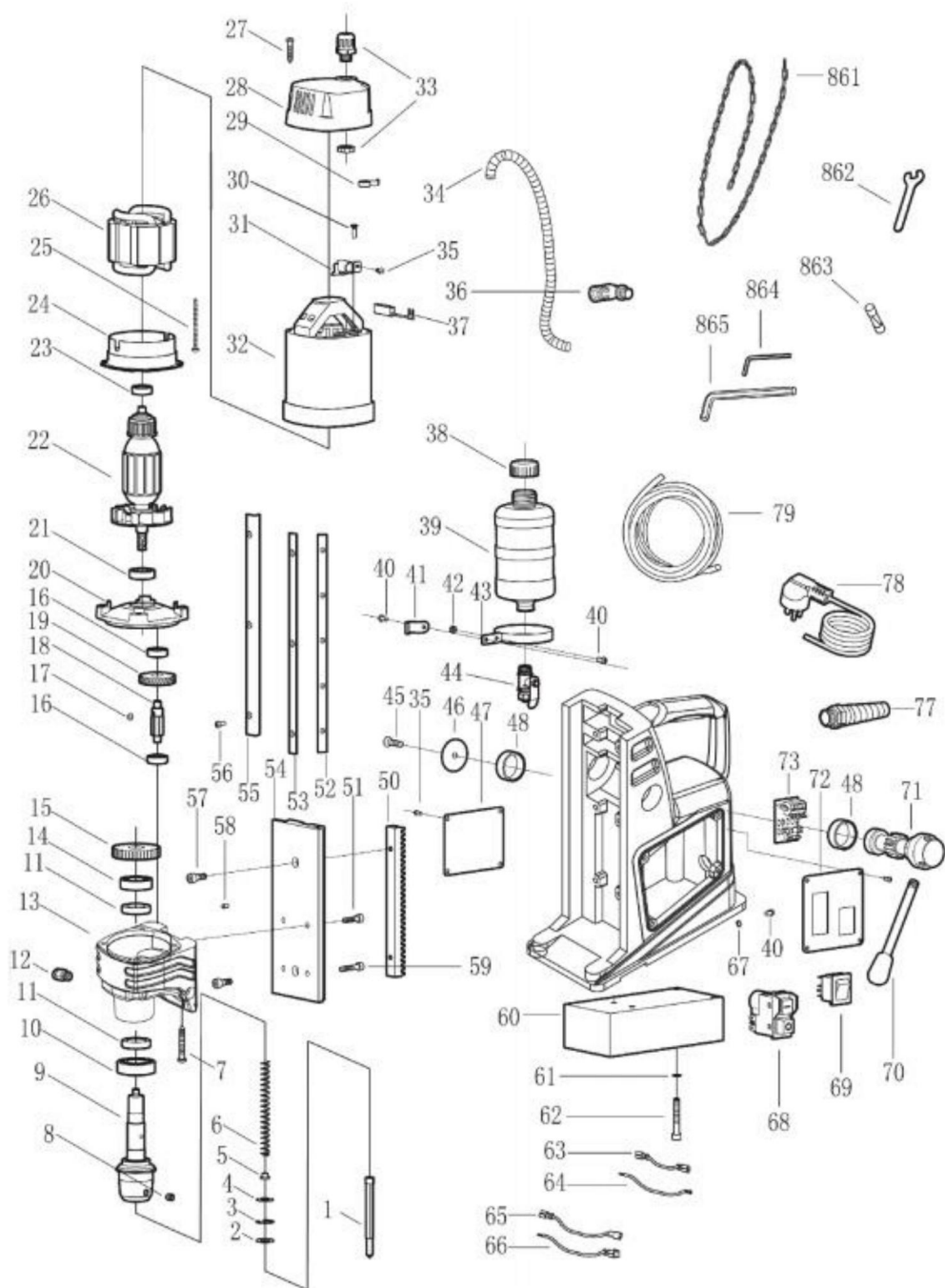


TABELLA DI CONFRONTO DEI COMPONENTI

NO.	Nome	NO.	Nome	NO.	Nome
1	Ago centrale	29	Molla elicoidale	57	Bullone M6 x 6
2	Tampone di gomma	30	Vite autofilettante ST2.9 9,5 volte	58	Perno cilindrico x 10
3	Anello elastico di ritenuta 19	31	Portaspazzole componente	59	Bullone M5x25
4	Guarnizione	32	Fissaggio del cavo in nylon componente della testa	60	Magnete elettrico
5	Tappo a molla	33	Tubo flessibile	61	Guarnizione a molla 6
6	Primavera	34	Bullone m4x6	62	Bullone M6 x 40
7	Vite autofilettante ST4.8 ogni 40	35	Fermacavo a gomito componente	63	Collegare il filo 2
8	Presca esagonale vite M8 x 8	36	Spazzola di carbone	64	Collegare il filo 3
9	Asse di uscita	37	Copertura per latta di olio	65	Collegare il filo 1
10	Cuscinetto 6004	38	Lattina di olio	66	Collegare il filo 4
11	Anello di tenuta	39	Bullone M4x10	67	guarnizione 4
12	Connettore APC R1/8	40	Piastra di fissaggio del cavo	68	Elettromagnetico interruttore
13	Riduttore di velocità	41	Dado M4	69	Interruttore a piastra oscillante
14	Cuscinetto 6003	42	Anello di ritegno della lattina dell'olio	70	Componente asta
15	4# marcia	43	Valvola dell'acqua componente G1/4	71	Albero della cremagliera
16	Cuscinetto 608	44	Bullone M6 x 20	72	Piastra di fissaggio dell'interruttore
17	Chiave piatta 4 x 4 x 6	45	Guarnizione	73	Scheda di circuito
18	3# albero del cambio	46	Targhetta	74	Bullone M5 x 16
19	2# ingranaggio	47	Anello dell'albero	75	Dado M5

20	Copertura centrale	48	Vite-pad combinazione M6x16	76	Base
21	Cuscinetto 6001	49	Cremagliera	77	Fissaggio del cavo a vite Testa
22	Rotore	50	Bullone M5 x 20	78	Connettore del cavo tappo
23	Cuscinetto 608	51	Barra di regolazione della pista 79		Tubo in PU
24	Anello paravento	52	Barra di tracciamento A	861	Cintura di sicurezza
25	Vite autofilettante ST4 x 52	53	Piastra guida	862	Chiave inglese aperta 8mm
26	Statore	54	Barra di guida B	863	Fusibile
27	Vite autofilettante ST4.2 ogni 25	55	Vite autofilettante ST2.9 9,5 volte	864	Esagonale aperto chiave inglese 2,5mm
28	Copertura posteriore	56	Bullone M3 x 6	865	Esagonale aperto chiave inglese 4mm

VEVOR[®]

TOUGH TOOLS, HALF PRICE

**Supporto tecnico e certificato di garanzia
elettronica www.vevor.com/support**

VEVOR[®]

TOUGH TOOLS, HALF PRICE

Wsparcie techniczne i certyfikat gwarancji elektronicznej www.vevor.com/support

WIERTARKA Z PODSTAWĄ MAGNETYCZNĄ
Modele: ZT-40H/ZT-45H/MD-50/MDP-50

Nadal staramy się oferować Państwu narzędzia w konkurencyjnych cenach. „Oszczędź połowę”, „Połowa ceny” lub inne podobne wyrażenia używane przez nas stanowią jedynie szacunkowe oszczędności, jakie możesz uzyskać, kupując u nas określone narzędzia w porównaniu z głównymi markami i niekoniecznie oznaczają one objęcie wszystkich kategorii narzędzi oferowanych przez nas. Uprzejmie przypominamy, aby dokładnie sprawdzić, czy składając u nas zamówienie faktycznie oszczędzasz połowę w porównaniu z głównymi markami.

VEVOR[®]

TOUGH TOOLS, HALF PRICE

WIERTARKA Z PODSTAWĄ MAGNETYCZNĄ
INSTRUKCJA OBSŁUGI

MODEL: ZT-40H/ZT-45H/MD-50/MDP-50



UWAGA: Przyciski na panelu sterowania niektórych modeli maszyn mogą się różnić. Aby uzyskać szczegółowe informacje, zapoznaj się z rzeczywistym produktem.

POTRZEBUJESZ POMOCY? SKONTAKTUJ SIĘ Z NAMI!

Masz pytania dotyczące produktu? Potrzebujesz wsparcia technicznego? Skontaktuj się z nami:

Wsparcie techniczne i certyfikat gwarancji elektronicznej
www.vevor.com/support

To jest oryginalna instrukcja, przed użyciem należy uważnie przeczytać wszystkie instrukcje. VEVOR zastrzega sobie jasną interpretację naszej instrukcji obsługi. Wygląd produktu będzie zależał od produktu, który otrzymałeś. Prosimy o wybaczenie, że nie poinformujemy Cię ponownie, jeśli w naszym produkcie pojawią się jakiegokolwiek aktualizacje technologiczne lub oprogramowania.



OPIS SYMBOLI

Symbole użyte w niniejszej instrukcji mają na celu ostrzeżenie o możliwych zagrożeniach. Prosimy o dokładne zapoznanie się z treścią niniejszej instrukcji.

przeczytaj poniższe znaki bezpieczeństwa i instrukcje. Same ostrzeżenia nie zapobiegają ryzyka i nie mogą zastąpić właściwych metod unikania wypadków.



Ten symbol, umieszczony przed komentarzem dotyczącym bezpieczeństwa, wskazuje na rodzaj środka ostrożności, ostrzeżenia lub niebezpieczeństwo. Zignorowanie tego ostrzeżenia może doprowadzić do wypadku. Aby zmniejszyć ryzyko obrażeń, pożaru lub porażenia prądem, prosimy zawsze stosować się do poniższych zaleceń.



OSTRZEŻENIE – Aby zmniejszyć ryzyko obrażeń, użytkownicy muszą przeczytać instrukcję instrukcję uważnie.

Przed przystąpieniem do jakichkolwiek czynności należy zapoznać się z odpowiednią sekcją niniejszej instrukcji obsługi.



OSTRZEŻENIE: Podczas korzystania z urządzenia należy nosić okulary ochronne, maskę przeciwpyłową i rękawice. ten produkt.



Niniejszy produkt podlega postanowieniom Dyrektywy Europejskiej 2012/19/WE.

symbol przedstawiający przekreślony pojemnik na śmieci na kółkach oznacza, że produkt wymaga selektywna zbiórka odpadów w Unii Europejskiej. Ten symbol dotyczy produkt i wszystkie akcesoria oznaczone tym symbolem. Produkty oznaczone jako takie nie wolno wyrzucać razem z normalnymi odpadami domowymi, lecz należy je oddać do punktu zbiórki odpadów. punkt zbiórki sprzętu elektrycznego i elektronicznego przeznaczonego do recyklingu.



To urządzenie jest zgodne z częścią 15 przepisów FCC. Eksploatacja podlega następujące dwa warunki: (1) Urządzenie to nie może powodować szkodliwych zakłóceń oraz (2) Urządzenie to musi akceptować wszelkie odbierane zakłócenia, w tym zakłócenia, może powodować niepożądane działanie.

INSTRUKCJE BEZPIECZEŃSTWA



OSTRZEŻENIE: Przeczytaj wszystkie ostrzeżenia dotyczące bezpieczeństwa, instrukcje, ilustracje i

specyfikacje dostarczone z tym elektronarzędziem. Nieprzestrzeganie wszystkich instrukcji wymienionych

Nieprzestrzeganie poniższych zaleceń może skutkować porażeniem prądem, pożarem i/lub poważnymi obrażeniami.

Zachowaj wszystkie ostrzeżenia i instrukcje, aby móc z nich skorzystać w przyszłości.



Ogólne ostrzeżenia dotyczące bezpieczeństwa narzędzi elektrycznych — Bezpieczeństwo w miejscu pracy

a) Utrzymuj miejsce pracy w czystości i dobrym oświetleniu. Zagrazone lub ciemne obszary sprzyjają wypadkom. b) Nie używaj elektronarzędzi w atmosferach wybuchowych, np. w obecności łatwopalnych cieczy, gazów lub pyłów. Narzędzia elektryczne wytwarzają iskry, które mogą zapalić pył lub opary.

c) Trzymaj dzieci i osoby postronne z dala podczas obsługi elektronarzędzia. Rozproszenia może spowodować utratę kontroli. d)

Przed pracą, aby zawiązać mankiety, kobiety muszą założyć dobry damski kapelusz, długie włosy ukryte w kapeluszu, surowo zabrania się noszenia rękawiczek. Podczas budowy po zakończeniu należy wyłączyć zasilanie przed wyjściem.



Ogólne ostrzeżenia dotyczące bezpieczeństwa narzędzi elektrycznych — Bezpieczeństwo elektryczne

a) Wtyczki elektronarzędzi muszą pasować do gniazdka. Nigdy nie modyfikuj wtyczki w żaden sposób. nie używać żadnych adapterów wtyczek z uziemionymi elektronarzędziami. Niezmodyfikowane wtyczki a odpowiednie gniazdka zmniejszą ryzyko porażenia prądem.

b) Unikaj kontaktu ciała z uziemionymi powierzchniami, takimi jak rury, grzejniki, kuchenki i lodówki. Istnieje zwiększone ryzyko porażenia prądem, jeśli Twoje ciało

jest uziemiony. c) Nie wystawiaj

elektronarzędzi na deszcz lub wilgotne warunki. Woda dostająca się do przewodu zasilającego narzędzie zwiększa ryzyko porażenia prądem.

d) Nie nadużywaj przewodu. Nigdy nie używaj przewodu do noszenia, ciągnięcia lub odłączania.

elektronarzędzie. Trzymaj przewód z dala od ciepła, oleju, ostrych krawędzi lub ruchomych części.

Uszkodzone lub splątane przewody zwiększają ryzyko porażenia prądem. e) Podczas używania

elektronarzędzia na zewnątrz należy używać przedłużacza odpowiedniego do:

do użytku na zewnątrz. Użycie przewodu nadającego się do użytku na zewnątrz zmniejsza ryzyko porażenia prądem zaszokować.

f) Jeżeli nie można uniknąć używania elektronarzędzia w wilgotnym miejscu, należy zastosować wyłącznik różnicowoprądowy.

zasilanie chronione wyłącznikiem różnicowoprądowym (GFCI). Zastosowanie wyłącznika różnicowoprądowego zmniejsza ryzyko porażenie prądem.



Ogólne ostrzeżenia dotyczące bezpieczeństwa narzędzi elektrycznych — bezpieczeństwo osobiste

a) Zachowaj czujność, zwracaj uwagę na to, co robisz, i kieruj się zdrowym rozsądkiem podczas obsługi

elektronarzędzie. Nie używaj elektronarzędzia, gdy jesteś zmęczony lub pod wpływem

narkotyki, alkoholu lub leki. Chwila nieuwagi podczas obsługi elektronarzędzi

może spowodować poważne obrażenia ciała. b) Używaj

osobistego sprzętu ochronnego. Zawsze noś okulary ochronne.

sprzęt taki jak maska przeciwpyłowa, antypoślizgowe obuwie robocze, kask lub ochraniacz słuchu

ochrona stosowana w odpowiednich warunkach zmniejszy ryzyko obrażeń ciała. c) Zapobiegaj przypadkowemu

uruchomieniu. Upewnij się, że przełącznik jest w pozycji wyłączonej przed

podłączanie do źródła zasilania i/lub akumulatora, podnoszenie i przenoszenie narzędzia.

Przenoszenie elektronarzędzi z palcem na przełączniku lub podłączanie elektronarzędzi do prądu,

włączenie przełącznika zaprasza do wypadków.

d) Przed włączeniem elektronarzędzia należy wyjąć klucz regulacyjny lub klucz francuski.

pozostawienie klucza lub kluczyka przymocowanego do obracającej się części elektronarzędzia może spowodować

obrażenia ciała. e) Nie

wychylaj się za daleko. Zawsze utrzymuj równowagę i odpowiednie oparcie. Umożliwia to

lepszą kontrolę nad elektronarzędziem w nieoczekiwanych sytuacjach.

f) Ubierz się odpowiednio. Nie noś luźnego ubrania ani biżuterii. Dbaj o włosy i ubrania z dala od ruchomych części. Luźne ubrania, biżuteria lub długie włosy mogą być wciągnięte w ruchome części. g)

Jeżeli przewidziane są urządzenia do podłączenia odsysania i zbierania pyłu obiektów, upewnij się, że są one podłączone i prawidłowo używane. Korzystanie z odpylacza może zredukować zagrożenia związane z pyłem.

h) Nie pozwól, aby znajomość zdobyta dzięki częstemu używaniu narzędzi pozwoliła Ci się zadowolenie i ignorowanie zasad bezpieczeństwa narzędzi. Nieostrożne działanie może spowodować poważne obrażenia w ułamku sekundy.

I) Ten produkt nie jest zabawką. Przechowywać w miejscu niedostępnym dla dzieci.

J) Używaj wyłącznie sprzętu bezpieczeństwa zatwierzonego przez właściwy organ. agencja standardów. Niezatwierdzony sprzęt bezpieczeństwa może nie zapewniać odpowiednich ochrona. Ochrona oczu musi być zatwierdzona przez ANSI, a ochrona dróg oddechowych musi posiadać aprobatę NIOSH dotyczącą konkretnych zagrożeń występujących w miejscu pracy.

K) Nie odkładaj narzędzia, dopóki nie zatrzyma się całkowicie. Ruchome części mogą chwycić powierzchnię i wyciągnij narzędzie poza kontrolę.

L) Podczas używania ręcznego elektronarzędzia należy mocno trzymać narzędzie obiema rękami.

dłonie, aby przeciwstawić się momentowi obrotowemu przy rozruchu.

M) Nie pozostawiaj narzędzia bez nadzoru, gdy akumulator jest podłączony. Wyłącz narzędzie i wyjmij akumulator przed wyjściem.

N) Osoby z rozrusznikami serca powinny przed użyciem skonsultować się ze swoim lekarzem.

Pola elektromagnetyczne w pobliżu rozrusznika serca mogą powodować zakłócenia w działaniu rozrusznika serca lub awaria rozrusznika serca.

O) Ostrzeżenia, środki ostrożności i instrukcje omówione w niniejszej instrukcji instrukcja nie może objąć wszystkich możliwych warunków i sytuacji, które mogą wystąpić. Musi operator musi zrozumieć, że zdrowy rozsądek i ostrożność to czynniki, które nie może być wbudowany w ten produkt, ale musi zostać dostarczony przez operatora

Użytkowanie i konserwacja elektronarzędzi

a) Nie używaj narzędzia elektrycznego na siłę. Używaj właściwego narzędzia elektrycznego do swojego zastosowania. odpowiednie elektronarzędzie wykona pracę lepiej i bezpieczniej w tempie, w jakim zostało użyte zaprojektowane.

b) Nie używaj elektronarzędzia, jeśli przełącznik nie włącza i nie wyłącza go. Wszelkie narzędzia elektryczne Narzędzie, którego nie można kontrolować za pomocą przełącznika, jest niebezpieczne i należy je naprawić.

- c) Odłącz wtyczkę od źródła zasilania i/lub wyjmij akumulator, jeżeli odłączany od elektronarzędzia przed dokonaniem jakichkolwiek regulacji, zmian akcesoriów lub przechowywania elektronarzędzi. Takie środki zapobiegawcze zmniejszają ryzyko przypadkowego uruchomienia elektronarzędzia.
- d) Przechowuj nieużywane elektronarzędzia w miejscu niedostępnym dla dzieci i nie pozwalaj osobom trzecim nie znasz elektronarzędzia lub niniejszej instrukcji obsługi, co uniemożliwia jego obsługę. Narzędzia elektryczne są niebezpieczne w rękach nieprzeszkolonych użytkowników. e) Konserwuj narzędzia elektryczne i akcesoria. Sprawdź, czy nie są źle ustawione lub zakleszczone. ruchome części, pęknięcie części i wszelkie inne warunki, które mogą mieć wpływ na zasilanie działania tooTs. W przypadku uszkodzenia, przed użyciem należy oddać elektronarzędzie do naprawy. Wiele wypadków jest spowodowanych przez źle konserwowane elektronarzędzia.
- f) Utrzymuj narzędzia tnące ostre i czyste. Prawidłowo konserwowane narzędzia tnące z ostrymi krawędziami krawędzie tnące rzadziej się zacinają i są łatwiejsze do kontrolowania. g) Używaj elektronarzędzi, akcesoriów, końcówek narzędziowych itp. zgodnie z niniejszymi instrukcje, biorąc pod uwagę warunki pracy i wykonywaną pracę wykonane. Użycie elektronarzędzia do czynności innych niż te, do których jest przeznaczone może doprowadzić do niebezpiecznej sytuacji.
- h) Utrzymuj uchwyty i powierzchnie chwytne w stanie suchym, czystym i wolnym od oleju i smaru. Śliskie uchwyty i powierzchnie chwytne nie pozwalają na bezpieczną obsługę i kontrolę narzędzia w nieoczekiwanych sytuacjach.
- i) Przed użyciem należy potwierdzić liczbę woltów napięcia. Napięcie robocze wynosi nie więcej niż $\pm 5\%$. W przypadku przekroczenia tej wartości może dojść do spalenia silnika i wycieku Wypadki.
- j) Podczas montażu należy zwrócić uwagę, aby do silnika lub zasłaniając otwór wentylacyjny, aby nie zmniejszyć wydajności odprowadzania ciepła silnika i spowodować jego spalanie.
- k) W przypadku konstrukcji z płyt stalowych należy zwrócić uwagę na bezpieczeństwo dolnej części warstwa personelu i towarów, wiercenie belek i kolumn żelaznych, zwróć uwagę na bezpieczeństwo konstrukcji budynku.
- L) Podczas pracy zawieszenia pas bezpieczeństwa musi być ściśle zapięty, a magnes wiertło zamocowane w celu zapobiegania nagłym przerwom w dostawie prądu lub przerwom w dostawie prądu spowodowanym wypadkiem.
- M) Nie przecinaj przewodu zasilającego ani nie wymieniaj wtyczki samodzielnie. Spowoduje to maszyna się wypala.

Praca

- a) Oddaj elektronarzędzie do serwisu przez wykwalifikowanego pracownika, używając wyłącznie identycznych części. części zamienne. Zapewni to bezpieczeństwo elektronarzędzia. b) W każdym przypadku należy je uruchamiać bez obciążenia. Zabrania się uruchamiania z załadować, aby uniknąć uszkodzenia maszyny. Proszę zwrócić uwagę na stabilność wiertarki magnetycznej podczas pracy na dużej wysokości, aby zapobiec uszkodzeniu maszyny przed upadkiem. c) Upewnij się, że przewód uziemiający jest niezawodnie uziemiony. d) Podczas przenoszenia wiertarkę magnetyczną należy podnosić, aby zapobiec jej uszkodzeniu. podstawa magnetyczna. e) Podczas konserwacji należy używać wyłącznie oryginalnych części, aby maszyna działała prawidłowo aby osiągnąć najlepszy stan użytkowania. f) Utrzymuj etykiety i tabliczki znamionowe na narzędziu. Zawierają one ważne informacje dotyczące bezpieczeństwa. informacje. Jeśli są nieczytelne lub brakuje ich, skontaktuj się z VEVOR w celu uzyskania zamiennika.



Bezpieczeństwo wibracji

To narzędzie wibruje podczas użytkowania. Powtarzające się lub długotrwałe narażenie na wibracje może powodować czasowe lub trwałe obrażenia fizyczne, w szczególności dłoni, ramion i

ramiona. Aby zmniejszyć ryzyko obrażeń spowodowanych wibracjami:

- a. Każdy, kto regularnie lub przez dłuższy czas używa narzędzi wibracyjnych, powinien najpierw zbadany przez lekarza i następnie regularnie poddawany badaniom lekarskim w celu zapewnienia opieki medycznej. problemy nie są powodowane ani pogarszane przez użytkowanie. Kobiety w ciąży lub osoby u których występują zaburzenia krążenia krwi w dłoniach, przebyte urazy dłoni, choroby nerwowe zaburzenia układu, cukrzyca lub choroba Raynauda nie powinny używać tego narzędzia. Jeśli odczuwasz jakiegokolwiek objawy związane z wibracją (takie jak mrowienie, drętwienie i białe lub niebieskie palce), jak najszybciej zasięgnij porady lekarza. b. Nie pal podczas stosowania. Nikotyna zmniejsza dopływ krwi do rąk i palców, zwiększając ryzyko obrażeń związanych z wibracjami. c. Noś odpowiednie rękawice, aby zmniejszyć wpływ wibracji na użytkowanie. d. Jeśli istnieje taka możliwość, należy używać narzędzi o najniższym poziomie wibracji. e. W każdym dniu pracy uwzględnij okresy bez wibracji. f. Chwyć narzędzie tak lekko, jak to możliwe (jednocześnie zachowując nad nim bezpieczną kontrolę). Pozwól narzędziu wykonać pracę.

g. Aby zmniejszyć wibracje, konserwuj narzędzie zgodnie z opisem w niniejszej instrukcji. Jeśli jeśli wystąpią nietypowe drgania, należy natychmiast przerwać użytkowanie.



Bezpieczeństwo uziemienia

ABY ZAPOBIEC PORAŻENIU PRĄDEM ELEKTRYCZNYM I ŚMIERCI SPOWODOWANEJ NIEPRAWIDŁOWYM

UZIEMIENIE: jeśli masz wątpliwości, czy uziemienie jest prawidłowe, skonsultuj się z wykwalifikowanym elektrykiem.

gniazdka jest prawidłowo uziemione. Nie modyfikuj dostarczonej wtyczki przewodu zasilającego

ładowarka. Nie używaj ładowarki, jeśli przewód zasilający lub wtyczka są uszkodzone. jeśli

uszkodzone, przed użyciem należy oddać je do naprawy w serwisie. Jeżeli wtyczka nie pasuje do

gniazdka, należy zlecić wykwalifikowanemu elektrykowi zainstalowanie odpowiedniego gniazdka.

MODEL I PARAMETRY

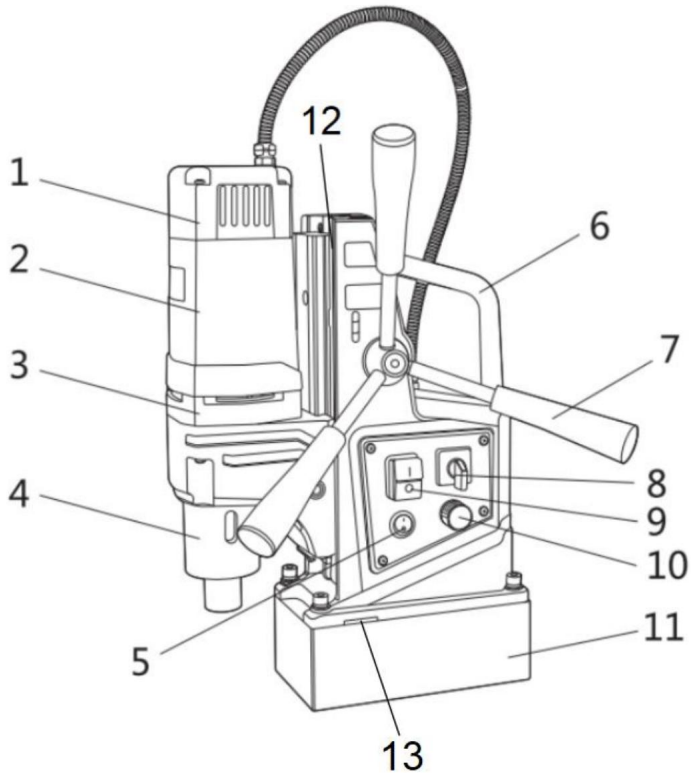
WEJŚCIE: AC 230V 50Hz (EUR/AUS)

Model	ZT-40H	ZT-45H	MD-50	MDP-50
Średnica otworu (pustego wiertła)(mm)	Φ40mm	Φ40mm	Φ50mm	Φ50mm
Wiertło smazane do ciasta średnica (mm)	Φ3-Φ16	Φ3-Φ16	Φ3-Φ16	Φ3-Φ16
Średnica gwintowania (mm)	/	3-16	3-16	/
Głębokość wiercenia (mm)	50	50	50	50
Przyciąganie magnetyczne (N)	12500	12500	13000	12800
Prędkość (obr./min)	850	0-830obr./min (przód) 0-800obr./min <small>(OBRÓT SILNIKA)</small>	0-570	0-850obr./min (przód) 0-800obr./min <small>(OBRÓT SILNIKA)</small>
Wyjście (mm)	220	220	210	220
Wejście	Prąd zmienny 230 V 50 Hz (EUR/AUS)			
Moc (W)	1450	1450	1600	1450
Bezpiecznik (A)	15			
Kierunek obrotu	Do przodu	Do przodu/ Odwracać	Do przodu	Do przodu/ Odwracać

WEJŚCIE: AC 120 V 60 Hz (USA)

Model	ZT-40H ZT-45H		MD-50 MDP-50	
Średnica otworu (pustego wiertła)(mm)	Φ40mm Φ40mm Φ50mm Φ50mm			
Wiertło smazane do ciasta średnica (mm)	Φ3-Φ16 Φ3-Φ16 Φ3-Φ16 Φ3-Φ16			
Średnica gwintowania (mm)	/	3-16	/	3-16
Głębokość wiercenia (mm)	50	50	50	50
Przyciąganie magnetyczne (N)	12500	12500	13000	12800
Prędkość (obr./min)	850	0-800obr./min (przód) 0-770obr./min <small>(OBRÓT SILNIKA)</small>	0-570 0-800obr./min (przód) 0-750obr./min <small>(OBRÓT SILNIKA)</small>	
Wyjście (mm)	220	220	210	220
Wejście	Prąd zmienny 120 V 60 Hz (USA)			
Moc (W)	1450	1450	1600	1450
Bezpiecznik (A)	15			
Kierunek obrotu	Do przodu Do przodu/ Odwracać		Do przodu Do przodu/ Odwracać	

SCHEMAT STRUKTURY

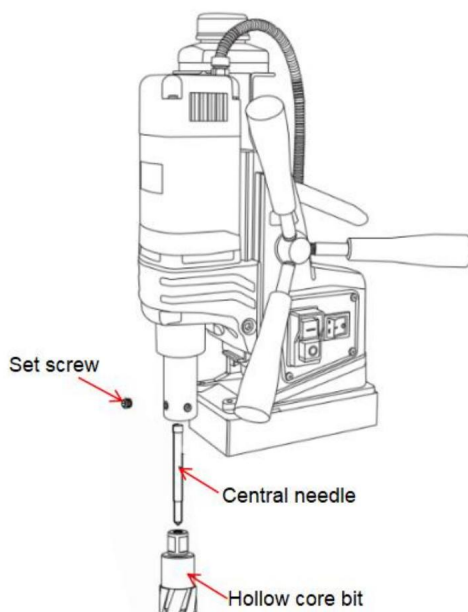


Przyciski na panelu sterowania niektórych modeli maszyn mogą się różnić.

Aby uzyskać szczegółowe informacje, zapoznaj się z oryginalnym produktem.

- | | |
|---------------------------------|----------------------------------|
| 1. Pokrywa tylna | 2. Podwozie |
| 3. Środkowa okładka | 4. Skrzynia biegów |
| 5. Wyłącznik elektromagnetyczny | 6. Uchwyt |
| 7. Pręt sterujący | 8. Przełącznik przód/tył |
| 9. Wyłącznik zasilania | 10. Pokrętko regulacji prędkości |
| 11. Podstawa elektromagnetyczna | 12. Śledź |
| 13. Otwór na pas bezpieczeństwa | |

OBSŁUGA I UŻYTKOWANIE



1. Wiertło musi być ostre. Podczas instalowania wiertła drążonego włóż centralną igłę do wiertła drążonego, zamontuj wiertło drążone na wale wyjściowym, a na koniec dokręć śrubę mocującą, aby zabezpieczyć wiertło drążone.

2. Umieść wiertło magnetyczne w pobliżu wymaganej pozycji wiercenia, podłącz wtyczkę zasilania, wyrównaj wiertło z pozycją obróbki, a następnie włącz przełącznik elektromagnesu, aby elektromagnes mógł zostać pochłonięty przez powierzchnię materiałów magnetycznych, takich jak stal. (grubość płyty powyżej 15 mm)

(Zwróć uwagę na dobór odpowiednich materiałów adsorpcyjnych i upewnij się, że na powierzchni adsorpcyjnej nie ma żadnych zanieczyszczeń, sprawdź, czy siła magnetyczna jest normalna).

3. Maszynę należy zabezpieczyć pasem bezpieczeństwa podczas pracy z boku lub z góry.

4. Przewlec jeden koniec pasa bezpieczeństwa przez otwór uchwytu ramy, przywiąż drugi koniec do mocnej ramy, a następnie zapnij go za pomocą zapięcia (Spróbuj pociągnąć ręką, nie powinna być luźna i przesunięta).

5. Włącz wyłącznik zasilania, aby sprawdzić, czy wiertło bije i czy słychać dźwięk.

jest stabilny. Jeśli wszystko jest w porządku, najpierw otwórz zawór wody, aby płyn tnący w oleju może wypłynąć, a następnie przekręć uchwyt, aby podać

(Uwaga: Nie otwieraj zaworu wodnego podczas pracy w pozycji bocznej i górnej)

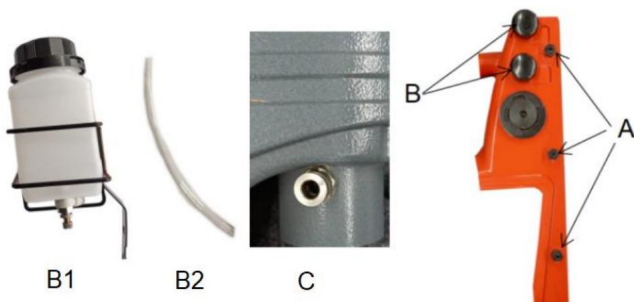
6. Na początku należy karmić powoli. Nie należy się zbyt wysilać, aby uniknąć przeciążenia.

7. Jeżeli silnik nagle zatrzyma się lub zablokuje z powodu usterki, należy nacisnąć przełącznik sterowania wiertarką 9 należy natychmiast wyłączyć (Uwaga: nie wyłączaj wyłącznika elektromagnetycznego 5).

Po ciągłym użytkowaniu przez 2-3 godziny należy odpocząć, aby zapobiec elektromagnetyczne siedzisko przed spaleniem na skutek przegrzania.

8. Gdy szczotka węglowa się zużyje, należy ją wymienić na czas (obie (należy je wymienić w tym samym czasie).

SCHŁADZANIE I REGULACJA TORÓW



1. Przymocuj B1 do B, następnie połącz B2 z B1 i C.

2. Obróć joystick, aby sprawdzić, czy ciasność toru spełnia wymagania.

wymagania dotyczące wiercenia. Jeśli szczelność nie jest idealna, można ją dostosować za pomocą otwartego klucz i klucz imbusowy w załączniku.

a) Odkręć nakrętkę sześciokątną w miejscu A za pomocą klucza

płaskiego. b) Za pomocą klucza imbusowego wyreguluj śrubę ustalającą w miejscu A i obróć joystick o 7 jednocześnie odczuć, czy szczelność toru osiąga idealny stan wiercenie.

c) Po dokonaniu regulacji dokręć nakrętkę sześciokątną w punkcie A za pomocą klucza płaskiego.

Uwaga: Naprężenie toru zostało wyregulowane przed opuszczeniem fabryki. Jeśli

nie było silnych wibracji, upadków ani innych warunków, proszę nie dokonywać regulacji.

INSTRUKCJA ROZWIĄZYWANIA PROBLEMÓW

Problem	Powód	Rozwiązanie
Uchwyt magnetyczny nie ma ssanie.	Słaby styk przełącznika.	Napraw przełącznik.
	Prąd jest wyłączony.	Naprawa zasilania
	Bezpiecznik jest przepalony.	Wymień bezpiecznik
	Zwarcie elektromagnesu obwód lub przepalenie.	Napraw lub wymień podstawa magnetyczna.
	Nie jest adsorbowany na części stalowe.	Zmień lub zageńć powierzchnia adsorpcyjna (grubość > 15mm).
Maszyna nie będzie działać po włączeniu zasilania.	Słaby styk przełącznika.	Napraw przełącznik.
	Luźna wtyczka.	Podłączanie zasilania
	Pędzel nie skontaktuj się z komutatorem.	Wymień szczotkę.
Magnetyczne przysawki do siedzenia to słaby.	Zaadsorbowany przedmiot obrabiany jest za cienki.	Zmień lub zageńć powierzchnia adsorpcyjna (grubość > 15mm).
	Mały adsorbowlany powierzchnia.	Zmień adsorpcję powierzchnia lub tymczasowo spawać grubą adsorpcję
Widoczne są otwory eliptyczne otwory wiertnicze.	Wibracje spowodowały zapięcie do poluzowania.	Dokręć zapięcie po korygowanie pionowości.
	Wiertło tnie tylko jedną stroną	Wierto do ponownego szlifowania.
	Na ziemi są śmieci powierzchnia adsorpcyjna.	Usuń bałagan.

KONSERWACJA I PRZECHOWYWANIE

UWAGA: Przed przystąpieniem do prac konserwacyjnych należy wyjąć wtyczkę.

1. Po każdym użyciu należy wyczyścić spód wiertarki magnetycznej i prawidłowo ją konserwować.
2. Jeśli zjeżdżalnia nie jest płynna, należy w odpowiednim momencie posmarować tor masłem.
3. Należy regularnie sprawdzać zabezpieczenia elektryczne.
4. Czy uziemienie jest niezawodne.
5. Prosimy o zameldowanie się w porze deszczowej.

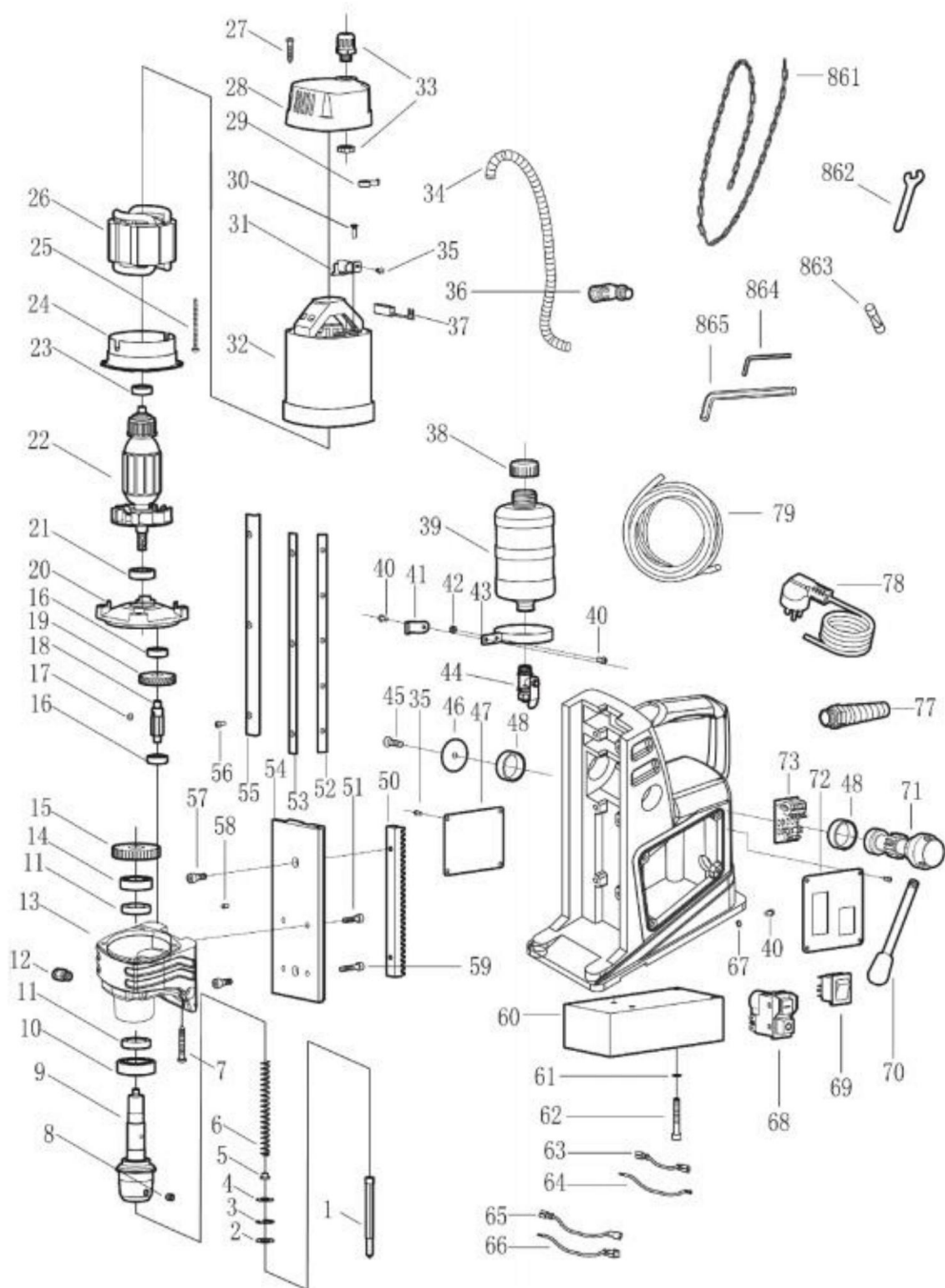


TABELA PORÓWNAWCZA SKŁADNIKÓW

NIE.	Nazwa	NIE.	Nazwa	NIE.	Nazwa
1	Igła centralna	29	Sprężyna śrubowa	57	Śruba M6 x 6
2	Podkładka gumowa	30	Wkręt samogwintujący ST2.9 9,5x	58	Kolek cylindryczny x 10
3	Pierścień zabezpieczający elastyczny 19	31	Uchwyt na szcztokę część	59	Śruba M5x25
4	Uszczelka	32	Mocowanie kabla nylonowego element głowy	60	Magnes elektryczny
5	Wtyczka sprężynowa	33	Wąż gumowy	61	Uszczelka sprężyny 6
6	Wiosna	34	Śruba m4x6	62	Śruba M6 x 40
7	Wkręt samogwintujący ST4.8 40x	35	Uchwyt kabla łokciowego część	63	Podłącz przewód 2
8	Gniazdo sześciokątne śruba M8 x 8	36	Szcztoka węglowa	64	Podłącz przewód 3
9	Oś wyjściowa	37	Olej może pokryć	65	Podłącz przewód 1
10	Łożysko 6004	38	Puszka na olej	66	Podłącz przewód 4
11	Pierścień uszczelniający	39	Śruba M4x10	67	uszczelka 4
12	Złącze APC R1/8	40	Płytki mocująca kabel	68	Elektromagnetyczny przełącznik
13	Przekładnia redukcyjna	41	Nakrętka M4	69	Przełącznik płyty obrotowej
14	Łożysko 6003	42	Pierścień ustalający pojemnika na olej	70	Element pręta
15	4# bieg	43	Zawór wodny składnik G1/4	71	Wał zębany
16	Łożysko 608	44	Śruba M6 x 20	72	Płytki mocująca przełącznik
17	Klucz płaski 4 x 4 x 6	45	Uszczelka	73	Płytki drukowana
18	3# wałek przekładniowy	46	Tabliczka znamionowa	74	Śruba M5 x 16
19	2# bieg	47	Pierścień wału	75	Nakrętka M5

20	Środkowa okładka	48	Podkładka śrubowa kombinacja M6x16	76	Opierać
21	Łożysko 6001	49	Stojak	77	Mocowanie kabla śrubowego głowa
22	Wirnik	50	Śruba M5 x 20	78	Złącze kablowe wtyczka
23	Łożysko 608	51	Belka regulacyjna toru 79		Waż poliuretanowy
24	Pierścień osłony przeciwwiatrowej	52	Śledź pasek A	861	Pas bezpieczeństwa
25	Wkręt samogwintujący ST4 x 52	53	Płyta przewodnicy	862	Klucz płaski 8mm
26	Stojan	54	Śledź drążek B	863	Bezpiecznik
27	Wkręt samogwintujący ST4.2 25x25	55	Wkręt samogwintujący ST2.9 9,5x	864	Sześciokątny otwarty klucz 2,5mm
28	Okładka tylna	56	Śruba M3 x 6	865	Sześciokątny otwarty klucz 4mm

VEVOR[®]

TOUGH TOOLS, HALF PRICE

Wsparcie techniczne i certyfikat gwarancji
elektronicznej www.vevor.com/support