

# **VEVOR<sup>®</sup>**

**TOUGH TOOLS, HALF PRICE**

Technical Support and E-Warranty Certificate [www.vevor.com/support](http://www.vevor.com/support)

## **PATIO FOLDING LOUNGE CHAIR USER MANUAL**

We continue to be committed to provide you tools with competitive price.

"Save Half", "Half Price" or any other similar expressions used by us only represents an estimate of savings you might benefit from buying certain tools with us compared to the major top brands and does not necessarily mean to cover all categories of tools offered by us. You are kindly reminded to verify carefully when you are placing an order with us if you are actually saving half in comparison with the top major brands.

**VEVOR**<sup>®</sup>  
TOUGH TOOLS, HALF PRICE

**PATIO FOLDING  
LOUNGE CHAIR**

Model: HQB-FAN001, HQB-FAN002, HQB-FAN003, HQB-FAN004



**NEED HELP? CONTACT US!**

Have product questions? Need technical support? Please feel free to contact us:

**Technical Support and E-Warranty Certificate**  
[www.vevor.com/support](http://www.vevor.com/support)

This is the original instruction, please read all manual instructions carefully before operating. VEVOR reserves a clear interpretation of our user manual. The appearance of the product shall be subject to the product you received. Please forgive us that we won't inform you again if there are any technology or software updates on our product.

## NOTICE: Please retain these instructions

- Please do not exceed the weight limitations of this item.
- Do not stand on or use any part of this item as a step ladder.
- Do not use or store this item in proximity of open flame or flammable/combustible chemicals.
- If any parts are missing, broken, damaged, or worn, stop using this product until repairs are made and/or factory replacement parts are installed.
- Do not use this item in a way inconsistent with the manufacturer's instructions as this could void the product warranty.
- This product is intended for residential use only.

## SPECIFICATIONS


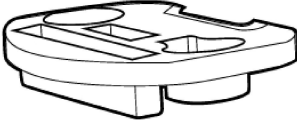
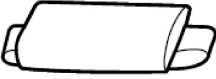
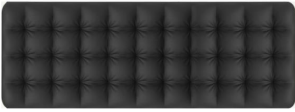


Model	HQB-FAN001
Product Size(width)	645mm
Color	Black
Load	500lb

Model	HQB-FAN002
Product Size(width)	645mm
Color	Gray
Load	500lb

Model	HQB-FAN003
Product Size(width)	645mm
Color	Black
Load	500lb

Model	HQB-FAN004
Product Size(width)	645mm
Color	Gray
Load	500lb

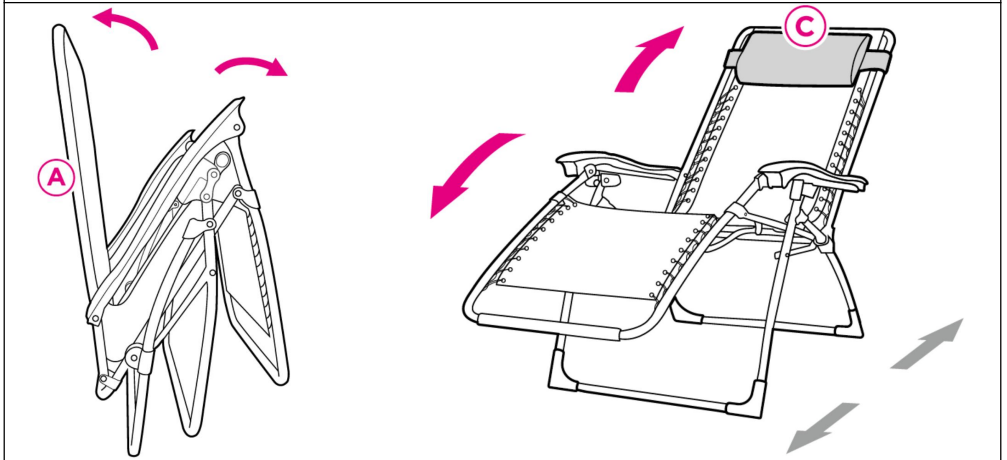
# PARTS

A Chair	B Accessory tray	C Head cushion
		
D Mat	E Blindfold	F Earplug
		

# PRODUCT ASSEMBLY

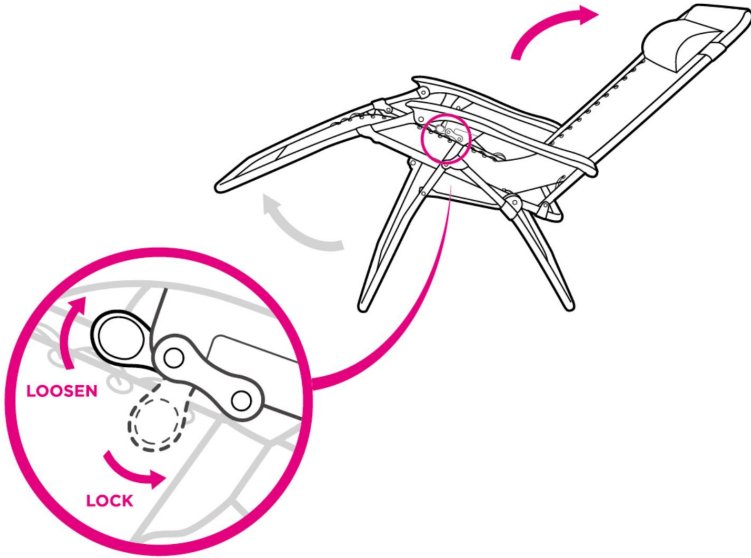
## STEP1

Place the folded part A chair upright, then place your hands on the top bar and the armrest, then push to spread the chair open. Loop the part C headrest onto the part A chair.



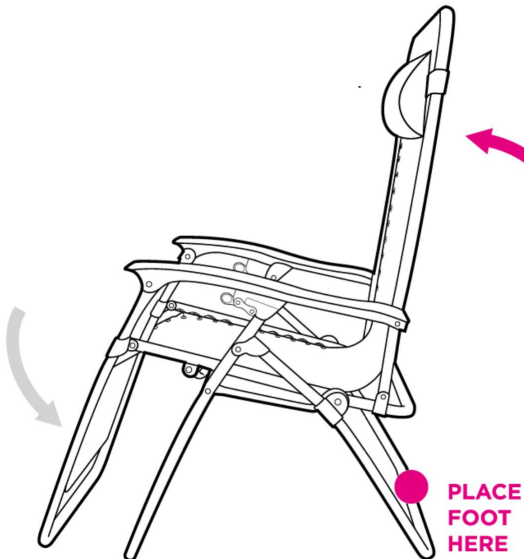
## STEP2

Lift the handles up on both sides and recline the chair. Push the handles back to lock the chair at your desired position.



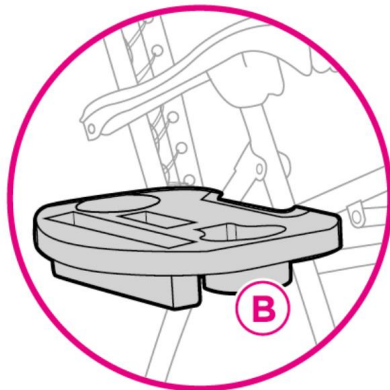
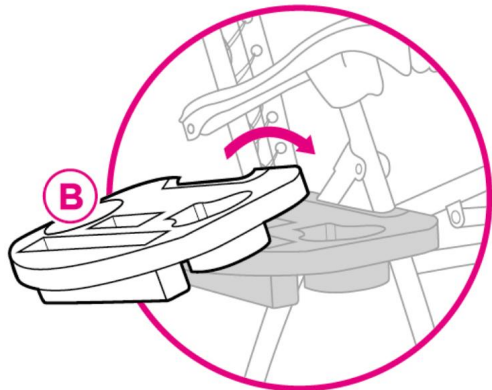
## STEP3

To return to an upright position, step on the rear support bar and pull the top bar and armrest together.



## ACCESSORY TRAY

To install the part B accessory tray, slide the tray over the leg hinge and push down to lock it in place. NOTE: Remove the accessory tray before folding the chair.

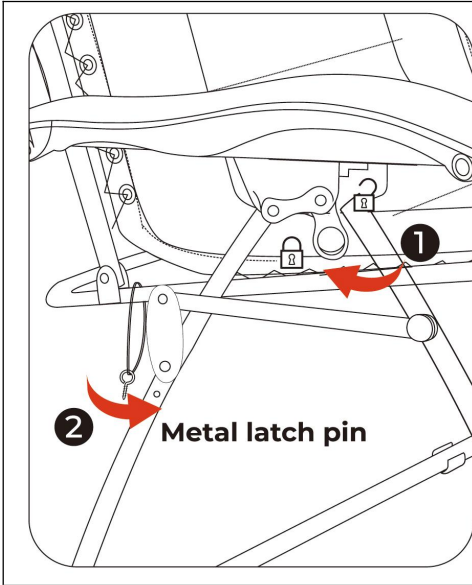


## MAT

Lay the mat on the chair, and then tie the rope from the mat to the chair.



# METAL LATCH PIN



1. To Lock into position, push lever down. To Unlock, press lever Up. Make sure the lever is in the Up position before sitting in the chair or getting out of the chair.
2. IMPORTANT..To prevent damage to the chair, DO NOT fold the chair while it is locked! A metal latch pin is helped to prevent the chair folded from locking. (in case you forget to unlock the chair) Please note that while the metal latch pin is inserted, you can still adjust the chair to any position. Just remember to pull the metal latch pin out before folding the chair.

**Manufacturer:**Shanghaimuxinmuyeyouxiangongsi

**Address:** Shuangchenglu 803nong11hao1602A-1609shi, baoshanqu, shanghai 200000 CN.

**Imported to AUS:** SIHAO PTY LTD. 1 ROKEVA STREET EASTWOOD NSW 2122 Australia

**Imported to USA:** Sanven Technology Ltd. Suite 250, 9166 Anaheim Place, Rancho Cucamonga, CA 91730

EC	REP
----	-----

E-CrossStu GmbH  
Mainzer Landstr.69, 60329 Frankfurt am Main.

UK	REP
----	-----

YH CONSULTING LIMITED.  
C/O YH Consulting Limited Office 147, Centurion House,  
London Road, Staines-upon-Thames, Surrey, TW18 4AX

**VEVOR<sup>®</sup>**

**TOUGH TOOLS, HALF PRICE**

**Technical Support and E-Warranty Certificate**

**[www.vevor.com/support](http://www.vevor.com/support)**

# **VEVOR<sup>®</sup>**

**TOUGH TOOLS, HALF PRICE**

Teknisk Support och e-garanticertifikat [www.vevor.com/support](http://www.vevor.com/support)

## **UTEPLATS FÄLLBAR LOUNGE STOL**

### **ANVÄNDARMANUAL**

We continue to be committed to provide you tools with competitive price.

"Save Half", "Half Price" or any other similar expressions used by us only represents an estimate of savings you might benefit from buying certain tools with us compared to the major top brands and does not necessarily mean to cover all categories of tools offered by us. You are kindly reminded to verify carefully when you are placing an order with us if you are actually saving half in comparison with the top major brands.

**VEVOR**<sup>®</sup>  
TOUGH TOOLS, HALF PRICE

**PATIO FOLDING  
LOUNGE CHAIR**

Modell: HQB-FAN001 , HQB-FAN002, HQB-FAN003, HQB-FAN004



**NEED HELP? CONTACT US!**

Have product questions? Need technical support? Please feel free to contact us:

**Technical Support and E-Warranty Certificate**  
[www.vevor.com/support](http://www.vevor.com/support)

This is the original instruction, please read all manual instructions carefully before operating. VEVOR reserves a clear interpretation of our user manual. The appearance of the product shall be subject to the product you received. Please forgive us that we won't inform you again if there are any technology or software updates on our product.

## ANMÄRKNING: Spara dessa instruktioner

- Vänligen överskrid inte viktbegränsningarna för denna artikel.
- Stå inte på eller använd någon del av detta föremål som en stege.
- Använd eller förvara inte detta föremål i närheten av öppen låga eller brandfarliga/brännbara kemikalier.
- Om några delar saknas, är trasiga, skadade eller slitna, sluta använda denna produkt tills reparationer är gjorda och/eller fabriksreservdelar har installerats.
- Använd inte denna produkt på ett sätt som inte överensstämmer med tillverkarens instruktioner eftersom detta kan göra produktgarantin ogiltig.
- Denna produkt är endast avsedd för bostadsbruk.

## SPECIFIKATIONER


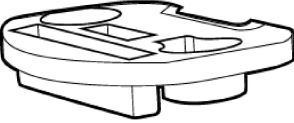
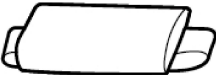
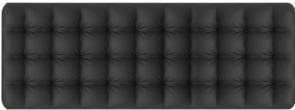


Modell	HQB-FAN001
Produktstorlek (bredd)	645 mm
Färg	Svart
Ladda	500 lb

Modell	HQB-FAN00 2
Produktstorlek (bredd)	645 mm
Färg	grå
Ladda	500 lb

Modell	HQB-FAN00 3
Produktstorlek (bredd)	645 mm
Färg	Svart
Ladda	500 lb

Modell	HQB-FAN00 4
Produktstorlek (bredd)	645 mm
Färg	grå
Ladda	500 lb

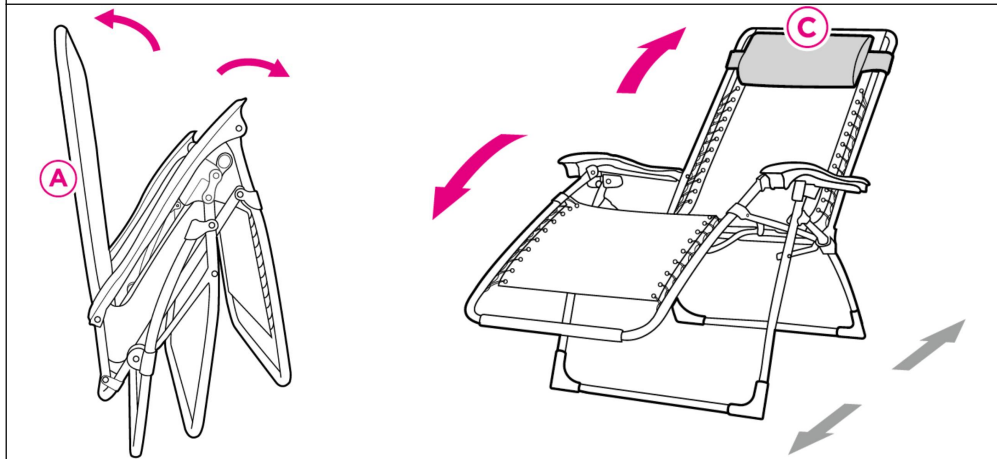
## DELAR

En stol	B Tillbehörsbricka	C Huvudkudde
		
D Mat	E Ögonbindel	F Öronpropp
		

## PRODUKTMONTERING

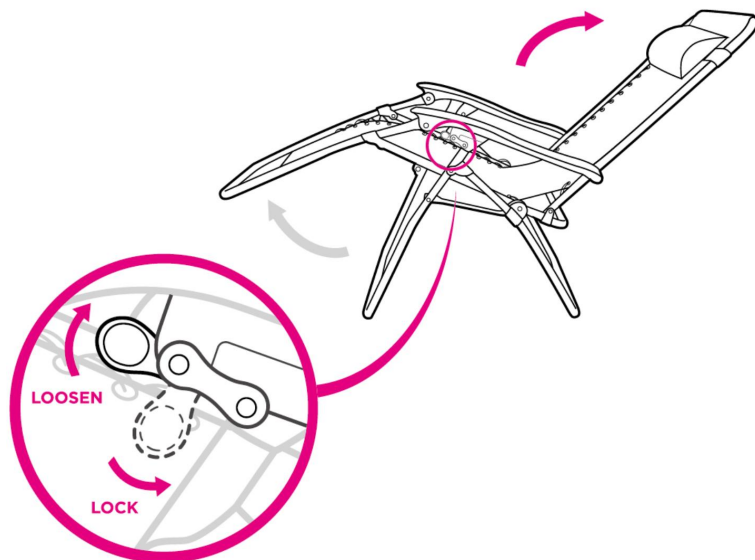
### STEG 1

Placera den hopfällda delen A stolen upprätt, placera sedan händerna på den översta stängningen och armstödet, tryck sedan för att öppna stolen. Skruva fast huvudstödet del C på stolen del A.



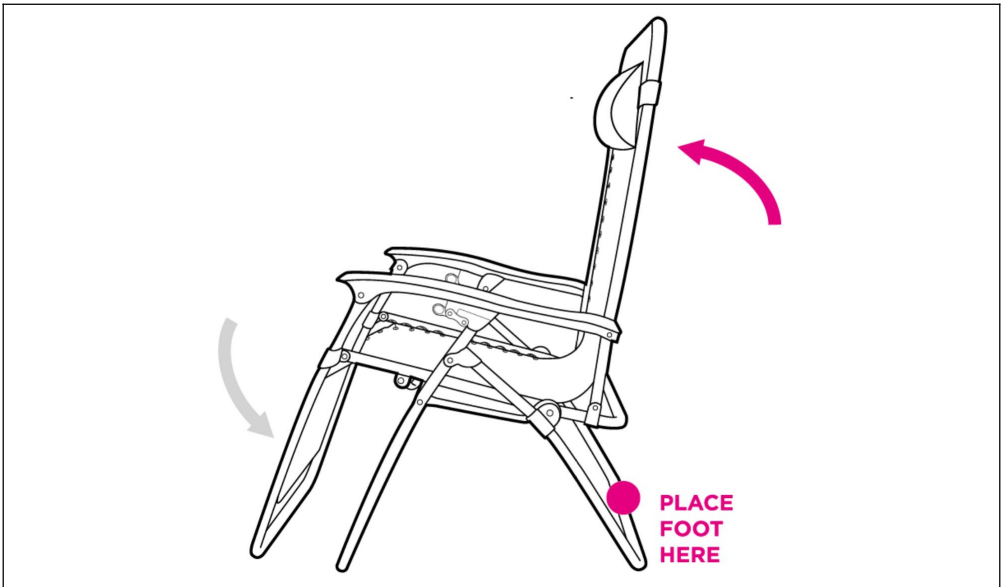
## STEG 2

Lyft upp handtagen på båda sidor och luta stolen tillbaka. Tryck handtagen bakåt för att låsa stolen i önskad position.



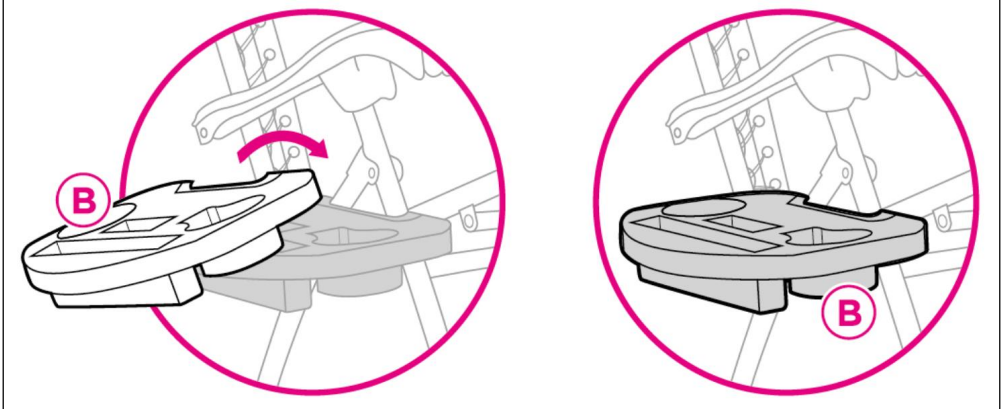
## STEG 3

För att återgå till upprätt läge, trampa på den bakre stödstången och dra ihop den övre stången och armstödet.



## TILLBEHÖR FACK

För att installera tillbehörsfacket för del B, skjut brickan över bengångjärnet och tryck nedåt för att låsa det på plats. OBS: Ta bort tillbehörsfacket innan stolen fälls ihop.

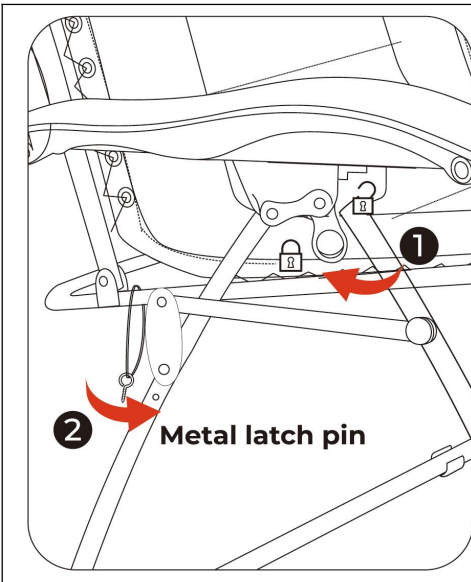


## MATTA

Lägg mattan på stolen och bind sedan repet från mattan till stolen .



## METALLLÅRSPIN



2. För att låsa i position, tryck ner spaken. För att låsa upp, tryck spak Upp. Se till att spaken är i upp-läget innan du sätter dig i stolen eller går ur stolen.

2. VIKTIGT..För att förhindra skador på stolen, fäll INTE ihop stolen när den är låst! En spärrstift av metall hjälper till att förhindra att den hopfällda stolen låser sig. (om du glömmer att låsa upp stolen) Observera att även om metallspärren är isatt kan du fortfarande justera stolen till valfri position. Kom bara ihåg att dra ut metallspärren innan du fäller ihop stolen.

**Tillverkare :** Shanghaimuxinmuyeyouxiangongsi

**Adress:** Shuangchenglu 803nong11hao1602A-1609shi, baoshanqu,

shanghai 200000 CN.

**Importerad till AUS:** SIHAO PTY LTD. 1 ROKEVA STREET EASTWOOD  
NSW 2122 Australien

**Importerad till USA:** Sanven Technology Ltd. Suite 250, 9166 Anaheim  
Place, Rancho Cucamonga, CA 91730

<b>EC</b>	<b>REP</b>
-----------	------------

E-CrossStu GmbH  
Mainzer Landstr.69, 60329 Frankfurt am Main.

<b>UK</b>	<b>REP</b>
-----------	------------

YH CONSULTING LIMITED.  
C/O YH Consulting Limited Office 147, Centurion House,  
London Road, Staines-upon-Thames, Surrey, TW18 4AX

**VEVOR**<sup>®</sup>

**TOUGH TOOLS, HALF PRICE**

**Teknisk Support och e-garanticertifikat**

**[www.vevor.com/support](http://www.vevor.com/support)**

# **VEVOR<sup>®</sup>**

**TOUGH TOOLS, HALF PRICE**

Técnico Soporte y certificado de garantía electrónica [www.vevor.com/support](http://www.vevor.com/support)

## **SILLÓN PLEGABLE PARA PATIO MANUAL DE USUARIO**

We continue to be committed to provide you tools with competitive price.

"Save Half", "Half Price" or any other similar expressions used by us only represents an estimate of savings you might benefit from buying certain tools with us compared to the major top brands and does not necessarily mean to cover all categories of tools offered by us. You are kindly reminded to verify carefully when you are placing an order with us if you are actually saving half in comparison with the top major brands.

# VEVOR<sup>®</sup>

TOUGH TOOLS, HALF PRICE

**PATIO FOLDING  
LOUNGE CHAIR**

Modelo: HQB-FAN001 , HQB-FAN002, HQB-FAN003,  
HQB-FAN004



**NEED HELP? CONTACT US!**

Have product questions? Need technical support? Please feel free to contact us:

**Technical Support and E-Warranty Certificate**  
**[www.vevor.com/support](http://www.vevor.com/support)**

This is the original instruction, please read all manual instructions carefully before operating. VEVOR reserves a clear interpretation of our user manual. The appearance of the product shall be subject to the product you received. Please forgive us that we won't inform you again if there are any technology or software updates on our product.

## AVISO: conserve estas instrucciones

- No exceda las limitaciones de peso de este artículo.
- No se pare ni utilice ninguna parte de este artículo como escalera de mano.
- No utilice ni almacene este artículo cerca de llamas abiertas o productos químicos inflamables/combustibles.
- Si falta alguna pieza, está rota, dañada o desgastada, deje de usar este producto hasta que se realicen las reparaciones y/o se instalen las piezas de repuesto de fábrica.
- No utilice este artículo de forma que no cumpla con las instrucciones del fabricante, ya que esto podría anular la garantía del producto.
- Este producto está destinado únicamente para uso residencial.

## ESPECIFICACIONES

Modelo	HQB-FAN001
Tamaño del producto (ancho)	645mm
Color	Negro
Carga	500 libras

Modelo	HQB-FAN00 2
Tamaño del producto (ancho)	645mm
Color	Gris
Carga	500 libras

Modelo	HQB-FAN00 3
Tamaño del producto (ancho)	645mm
Color	Negro

Carga	500 libras
-------	------------

Modelo	HQB-FAN00 4
Tamaño del producto (ancho)	645mm
Color	Gris
Carga	500 libras

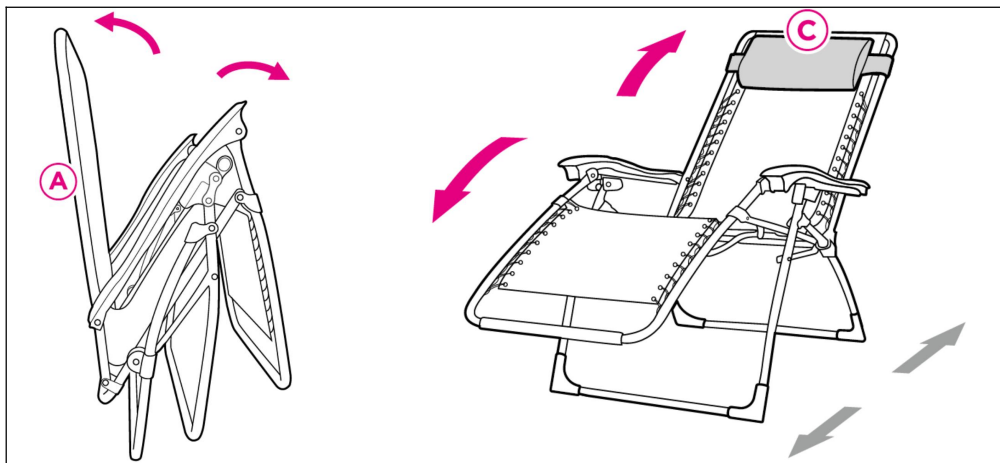
## PARTES

Una silla	B Bandeja de accesorios	C Cojín para la cabeza
		
Estera D	E con los ojos vendados	F Tapón para los oídos
		

## MONTAJE DEL PRODUCTO

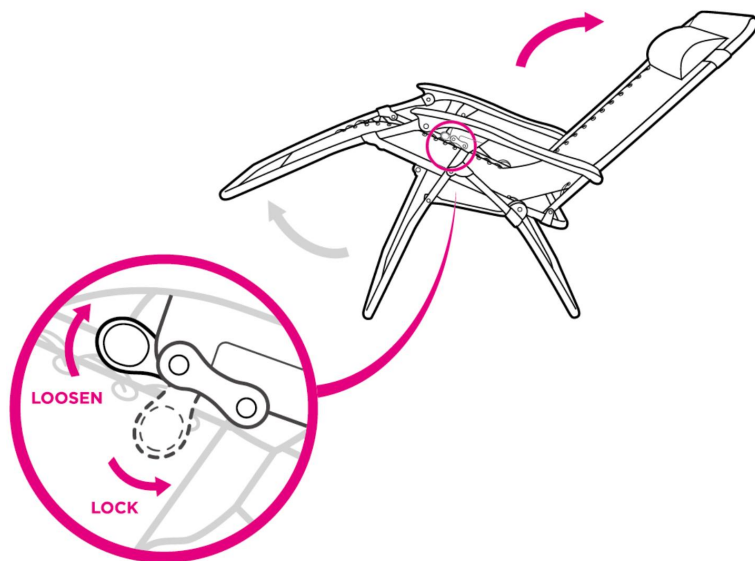
### PASO 1

Coloque la parte plegada de la silla A en posición vertical, luego coloque las manos en la barra superior y el reposabrazos, luego empuje para abrir la silla. Enganche el reposacabezas de la parte C a la silla de la parte A.



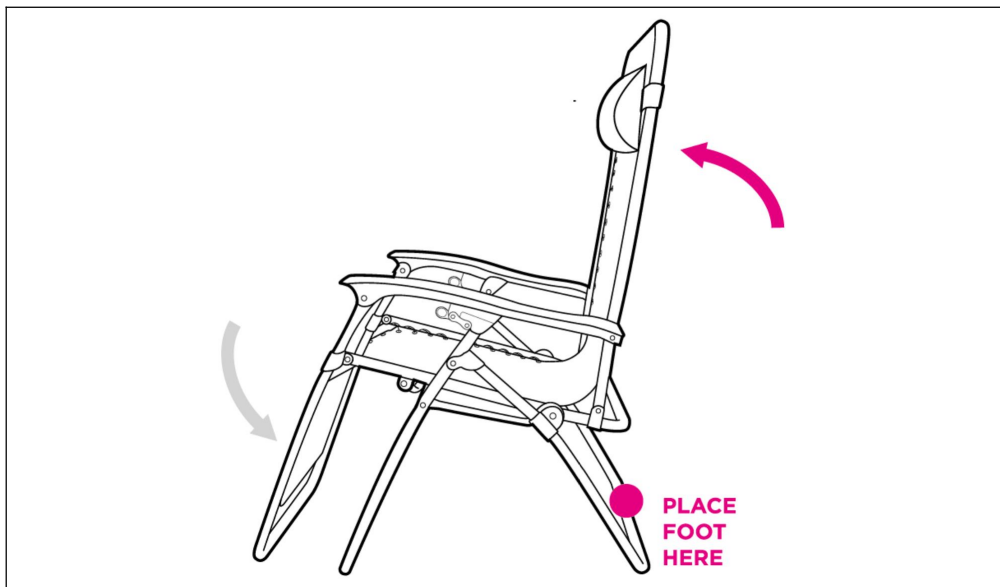
## PASO 2

Levante las manijas a ambos lados y recline la silla. Empuje las manijas hacia atrás para bloquear la silla en la posición deseada.



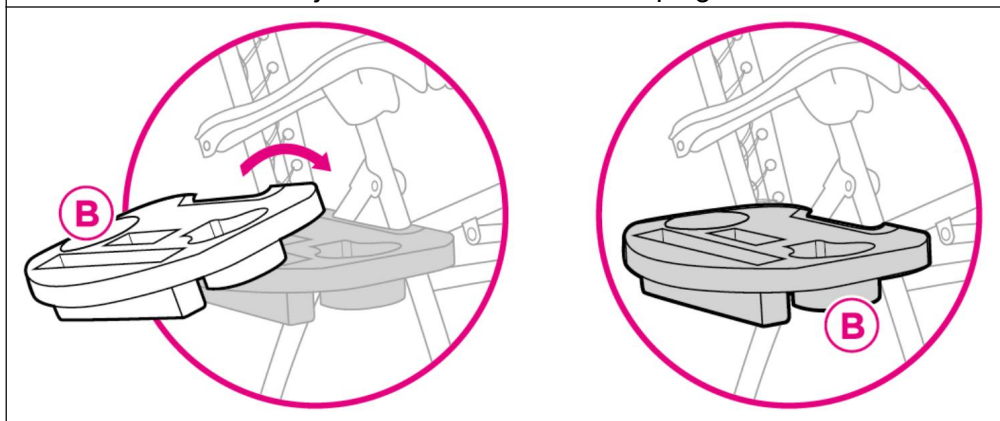
## PASO 3

Para volver a la posición vertical, párese sobre la barra de soporte trasera y junte la barra superior y el apoyabrazos.



## BANDEJA DE ACCESORIOS

Para instalar la bandeja de accesorios de la parte B, deslice la bandeja sobre la bisagra de la pata y empújela hacia abajo para fijarla en su lugar.  
NOTA: Retire la bandeja de accesorios antes de plegar la silla.



## ESTERA

Coloque el tapete sobre la silla y luego ate la cuerda del tapete a la silla .



## PIN DE CIERRE DE METAL



**Fabricante** : Shanghaimuxinmuyeyouxiangongsi

**Dirección:** Shuangchenglu 803nong11hao1602A-1609shi, baoshanqu, shanghai 200000 CN.

**Importado a AUS:** SIHAO PTY LTD. 1 ROKEVA STREET ASTWOOD NSW 2122 Australia

**Importado a EE. UU.:** Sanven Technology Ltd. Suite 250, 9166 Anaheim Lugar, Rancho Cucamonga, CA 91730

<b>EC</b>	<b>REP</b>
-----------	------------

E-CrossStu GmbH  
Mainzer Landstr.69, 60329 Frankfurt am Main.

<b>UK</b>	<b>REP</b>
-----------	------------

YH CONSULTING LIMITED.  
C/O YH Consulting Limited Office 147, Centurion House,  
London Road, Staines-upon-Thames, Surrey, TW18 4AX

**VEVOR**<sup>®</sup>

**TOUGH TOOLS, HALF PRICE**

**Técnico Certificado de soporte y garantía electrónica**

**[www.vevor.com/support](http://www.vevor.com/support)**

# **VEVOR<sup>®</sup>**

**TOUGH TOOLS, HALF PRICE**

Tecnico Supporto e certificato di garanzia elettronica [www.vevor.com/support](http://www.vevor.com/support)

## **POLTRONA LOUNGE PIEGHEVOLE DA PATIO**

### **MANUALE D'USO**

We continue to be committed to provide you tools with competitive price.

"Save Half", "Half Price" or any other similar expressions used by us only represents an estimate of savings you might benefit from buying certain tools with us compared to the major top brands and does not necessarily mean to cover all categories of tools offered by us. You are kindly reminded to verify carefully when you are placing an order with us if you are actually saving half in comparison with the top major brands.

# VEVOR®

TOUGH TOOLS, HALF PRICE

**PATIO FOLDING  
LOUNGE CHAIR**

Modello: HQB-FAN001 , HQB-FAN002, HQB-FAN003,  
HQB-FAN004



**NEED HELP? CONTACT US!**

Have product questions? Need technical support? Please feel free to contact us:

**Technical Support and E-Warranty Certificate**  
**[www.vevor.com/support](http://www.vevor.com/support)**

This is the original instruction, please read all manual instructions carefully before operating. VEVOR reserves a clear interpretation of our user manual. The appearance of the product shall be subject to the product you received. Please forgive us that we won't inform you again if there are any technology or software updates on our product.

## AVVISO: conservare queste istruzioni

- Si prega di non superare i limiti di peso di questo articolo.
- Non salire né utilizzare alcuna parte di questo articolo come scala a pioli.
- Non utilizzare o conservare questo articolo in prossimità di fiamme libere o sostanze chimiche infiammabili/combustibili.
- Se qualche parte risulta mancante, rotta, danneggiata o usurata, interrompere l'utilizzo del prodotto finché non vengono effettuate le riparazioni e/o non vengono installate le parti di ricambio di fabbrica.
- Non utilizzare questo articolo in modo non conforme alle istruzioni del produttore poiché ciò potrebbe invalidare la garanzia del prodotto.
- Questo prodotto è destinato esclusivamente all'uso residenziale.

## SPECIFICHE

Modello	HQB-FAN001
Dimensioni del prodotto (larghezza)	645 mm
Colore	Nero
Carico	500 libbre

Modello	HQB-FAN00 2
Dimensioni del prodotto (larghezza)	645 mm
Colore	Grigio
Carico	500 libbre

Modello	HQB-FAN00 3
---------	-------------

Dimensioni del prodotto (larghezza)	645 millimetri
Colore	Nero
Carico	500 libbre

Modello	HQB- FAN004
Dimensioni del prodotto (larghezza)	645 millimetri
Colore	Grigio
Carico	500 libbre

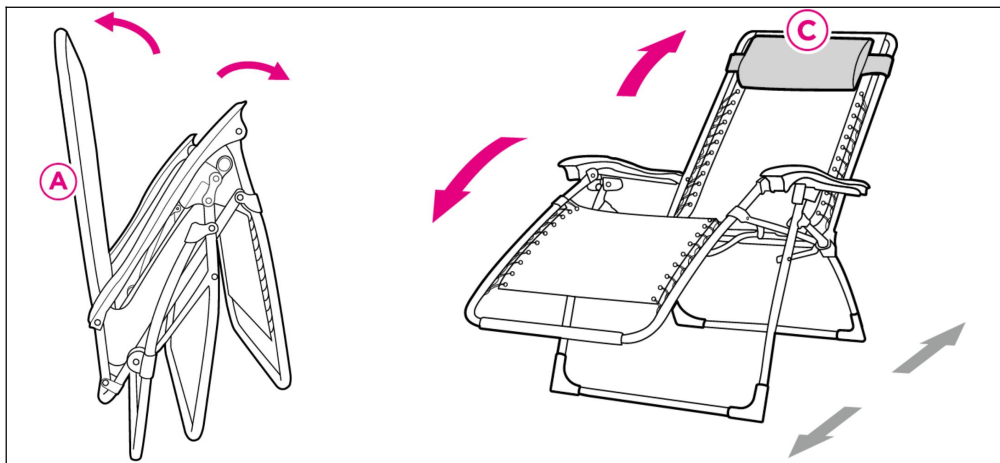
## PARTI

Una sedia	B Vassoio accessori	C Cuscino per la testa
		
D Mat	E Benda sugli occhi	F Tappo per le orecchie
		

## ASSEMBLAGGIO DEL PRODOTTO

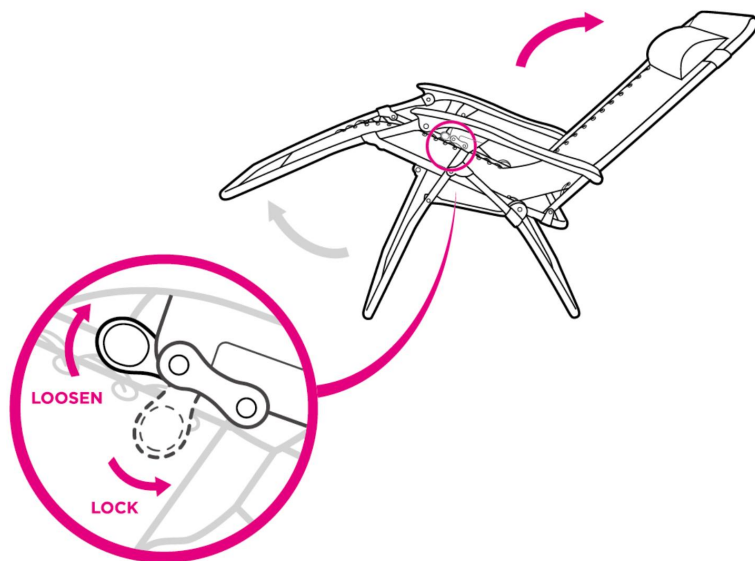
### PASSO 1

Posizionare la sedia con la parte piegata A in posizione verticale, quindi posizionare le mani sulla barra superiore e sul bracciolo, quindi spingere per aprire la sedia. Avvolgi il poggiatesta della parte C sulla sedia della parte A.



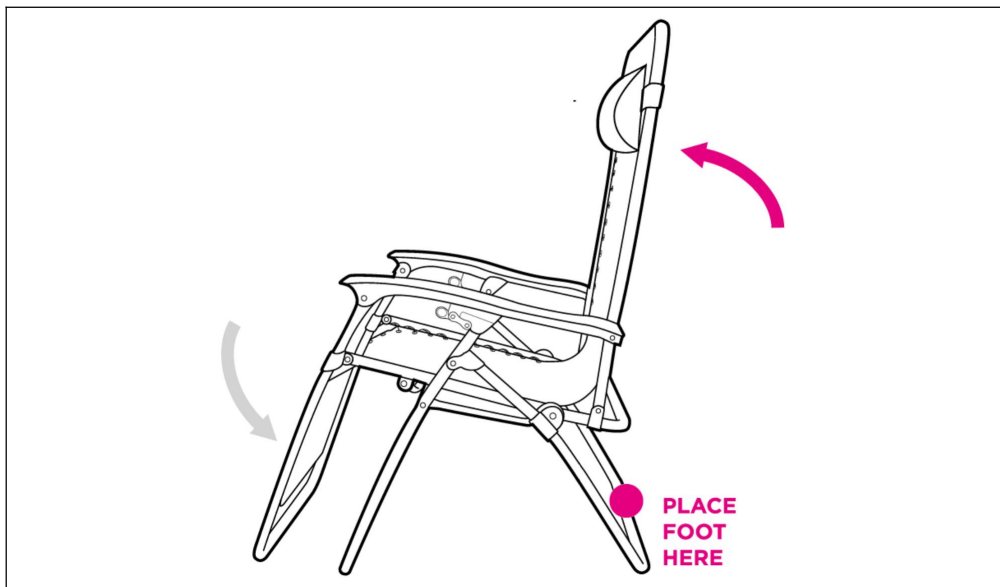
## PASSO 2

Sollevare le maniglie su entrambi i lati e reclinare la sedia. Spingere indietro le maniglie per bloccare la sedia nella posizione desiderata.



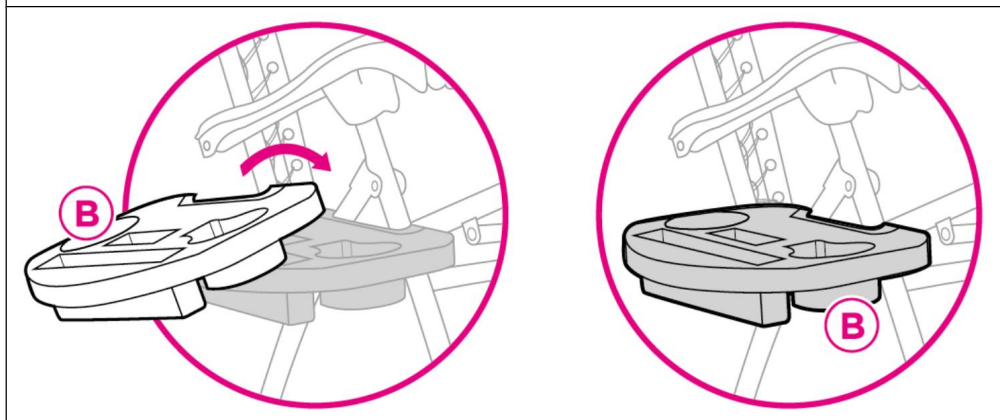
## PASSO3

Per tornare in posizione verticale, salire sulla barra di supporto posteriore e unire la barra superiore e il bracciolo.



## VASSOIO PER ACCESSORI

Per installare il vassoio per accessori della parte B, far scorrere il vassoio sopra il cardine della gamba e spingere verso il basso per bloccarlo in posizione. **NOTA:** rimuovere il vassoio degli accessori prima di piegare la sedia.



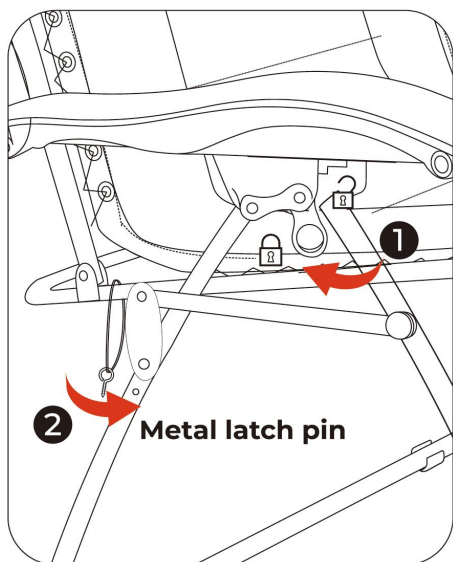
## STUOIA

Appoggia il tappetino sulla sedia, quindi lega la corda dal tappetino alla

sedia .



## PERNO DI CHIUSURA IN METALLO



4. Per bloccarlo in posizione, spingere la leva verso il basso. Per sbloccare, premere la leva Su. Assicurarsi che la leva sia in posizione Su prima di sedersi o alzarsi dalla sedia.

2. **IMPORTANTE...** Per evitare danni alla sedia, **NON** piegare la sedia mentre è bloccata! Un perno di chiusura in metallo aiuta a impedire che la sedia piegata si blocchi. (nel caso in cui si dimentichi di sbloccare la sedia) Tieni presente che mentre il perno di chiusura in metallo è inserito, puoi comunque regolare la sedia in qualsiasi posizione. Ricordati solo di estrarre il perno di chiusura in metallo prima di piegare la sedia.

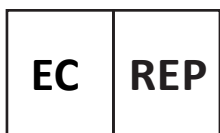
**Produttore** : Shanghaimuxinmuyeyouxiangongsi

**Indirizzo**: Shuangchenglu 803nong11hao1602A-1609shi, baoshanqu, shanghai 200000 CN.

**Importato in AUS**: SIHAO PTY LTD. 1 ROKEVA STREETEASTWOOD NSW 2122 Australia

**Importato negli Stati Uniti**: Sanven Technology Ltd. Suite 250, 9166 Anaheim

Luogo, Rancho Cucamonga, CA 91730



E-CrossStu GmbH

Mainzer Landstr.69, 60329 Frankfurt am Main.



YH CONSULTING LIMITED.

C/O YH Consulting Limited Office 147, Centurion House, London Road, Staines-upon-Thames, Surrey, TW18 4AX

**VEVOR**<sup>®</sup>

**TOUGH TOOLS, HALF PRICE**

**Tecnico Supporto e certificato di garanzia elettronica**

**[www.vevor.com/support](http://www.vevor.com/support)**

# **VEVOR<sup>®</sup>**

**TOUGH TOOLS, HALF PRICE**

Techniczny Certyfikat wsparcia i e-gwarancji [www.vevor.com/support](http://www.vevor.com/support)

## **SKŁADANE KRZESŁO WYPOCZYNKOWE PATIO**

### **INSTRUKCJA OBSŁUGI**

We continue to be committed to provide you tools with competitive price.

"Save Half", "Half Price" or any other similar expressions used by us only represents an estimate of savings you might benefit from buying certain tools with us compared to the major top brands and does not necessarily mean to cover all categories of tools offered by us. You are kindly reminded to verify carefully when you are placing an order with us if you are actually saving half in comparison with the top major brands.

**VEVOR**<sup>®</sup>  
TOUGH TOOLS, HALF PRICE

**PATIO FOLDING  
LOUNGE CHAIR**

Model: HQB-FAN001 , HQB-FAN002, HQB-FAN003, HQB-FAN004



**NEED HELP? CONTACT US!**

Have product questions? Need technical support? Please feel free to contact us:

**Technical Support and E-Warranty Certificate**  
[www.vevor.com/support](http://www.vevor.com/support)

This is the original instruction, please read all manual instructions carefully before operating. VEVOR reserves a clear interpretation of our user manual. The appearance of the product shall be subject to the product you received. Please forgive us that we won't inform you again if there are any technology or software updates on our product.

## UWAGA: Zachowaj tę instrukcję

- Proszę nie przekraczać ograniczeń wagowych tego przedmiotu.
- Nie stawaj na żadnej części tego przedmiotu ani nie używaj go jako drabiny.
- Nie używaj ani nie przechowuj tego przedmiotu w pobliżu otwartego ognia lub łatwopalnych/palnych substancji chemicznych.
- Jeśli brakuje jakichkolwiek części, są one uszkodzone, uszkodzone lub zużyte, zaprzestań używania tego produktu do czasu naprawy i/lub zainstalowania fabrycznych części zamiennych.
- Nie używaj tego przedmiotu w sposób niezgodny z instrukcjami producenta, ponieważ może to spowodować utratę gwarancji na produkt.
- Ten produkt jest przeznaczony wyłącznie do użytku domowego.

## SPECYFIKACJE

Model	HQB-FAN001
Rozmiar produktu (szerokość)	645 mm
Kolor	Czarny
Obciążenie	500 funtów

Model	HQB-FAN00 2
Rozmiar produktu (szerokość)	645 mm
Kolor	Szary
Obciążenie	500 funtów

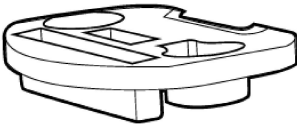
Model	HQB-FAN00 3
Rozmiar produktu (szerokość)	645 mm
Kolor	Czarny
Obciążenie	500 funtów

Model	HQB-FAN00 4
Rozmiar produktu (szerokość)	645 mm
Kolor	Szary

Obciążenie

500 funtów

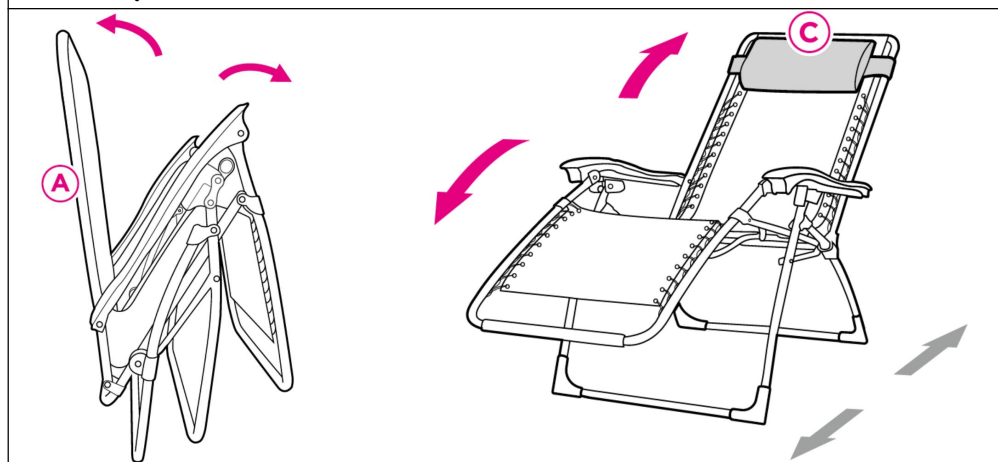
## CZĘŚCI

Krzeseło	B Taca na akcesoria	C Poduszka pod głowę
		
D Mat	E Opaska na oczy	F Zatyczka do uszu
		

## MONTAŻ PRODUKTU

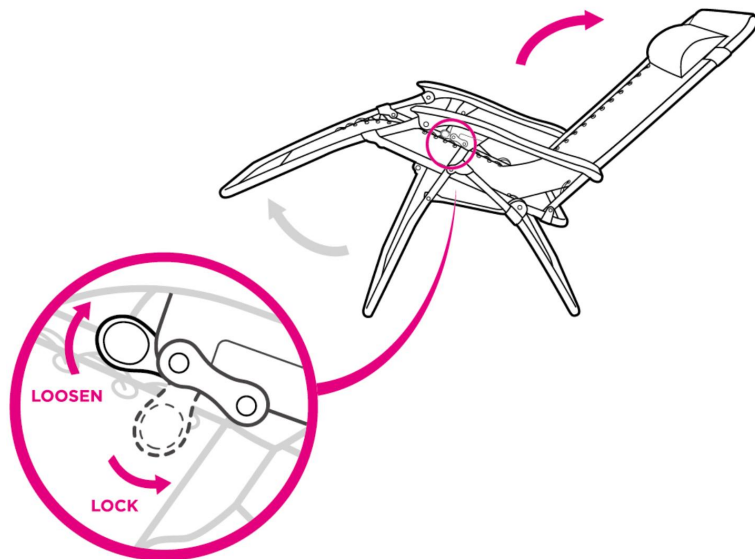
### KROK 1

Ustaw złożoną część A krzesła pionowo, następnie połóż dłonie na górnym drążku i podłokietniku, a następnie popchnij, aby rozłożyć krzesło. Przymocuj zagłówek części C do krzesła części A.



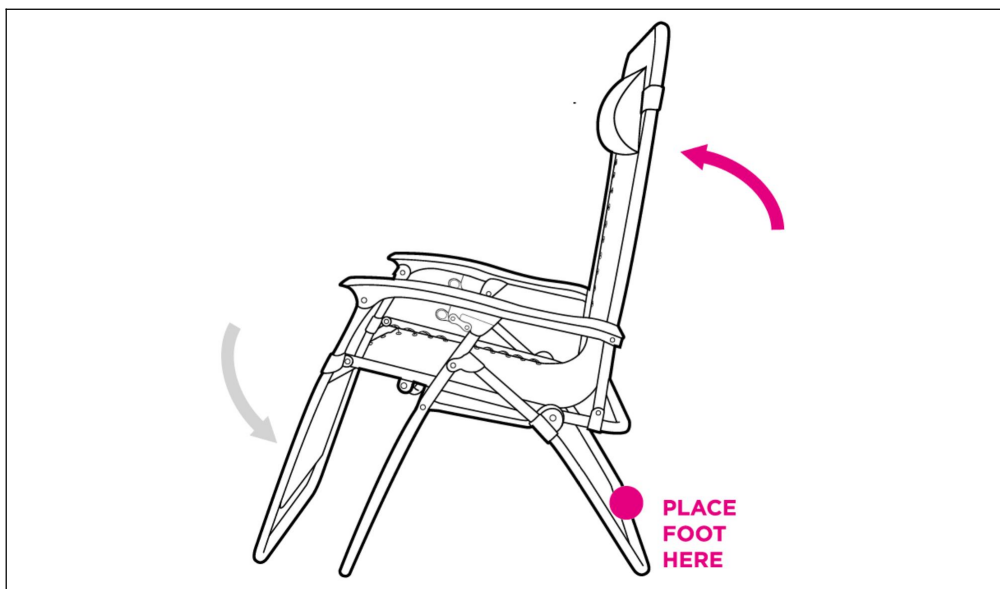
## KROK 2

Podnieś uchwyty po obu stronach i odchyl krzesło. Popchnij uchwyty do tyłu, aby zablokować krzesło w żądanej pozycji.



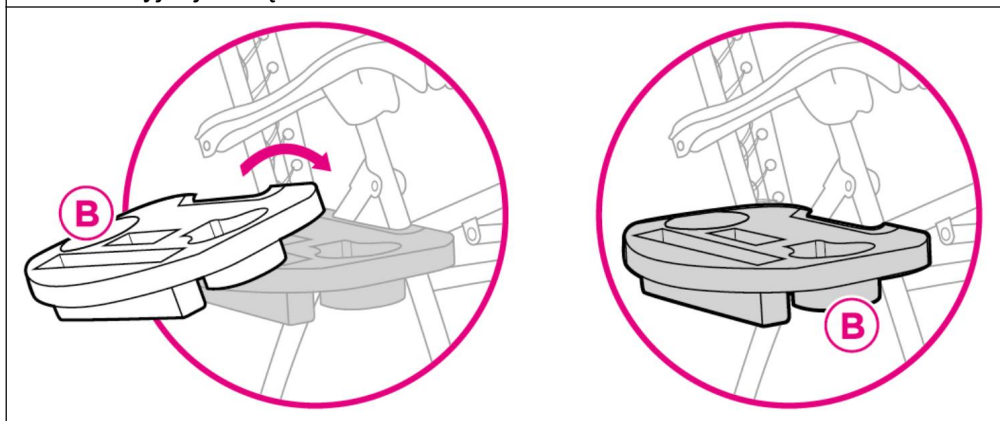
## KROK 3

Aby powrócić do pozycji pionowej, wejdź na tylny drążek podporowy i ściągnij górny drążek i podłokietnik.



## TACA NA AKCESORIA

Aby zainstalować tackę na akcesoria części B, nasuń tackę na zawias nogi i dociśnij, aby zablokować ją na miejscu. UWAGA: Przed złożeniem krzesła wyjmij tackę na akcesoria.

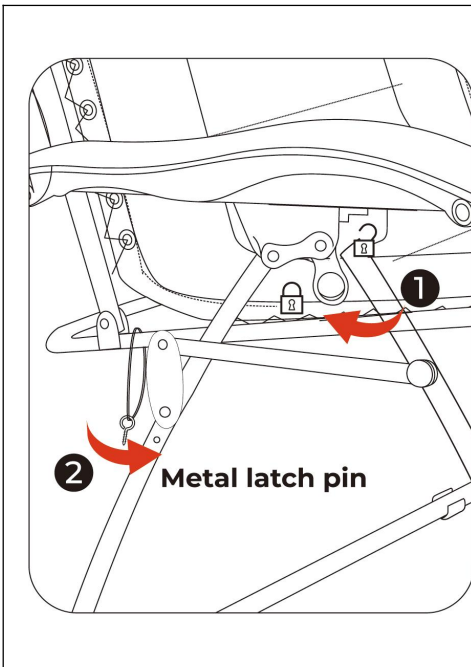


## MATA

Położ matę na krzesło, a następnie przywiąż linę od maty do krzesła .



## METALOWY ZATRZASK



5. Aby zablokować w danej pozycji, należy popchnąć dźwignię w dół. Aby odblokować, naciśnij dźwignię w górę. Zanim usiądziesz na krześle lub wstaniesz z niego, upewnij się, że dźwignia znajduje się w pozycji górnej.

2. **WAŻNE..** Aby zapobiec uszkodzeniu krzesła, **NIE** składaj krzesła, gdy jest zablokowane! Metalowy zatrzask zapobiega blokowaniu złożonego krzesła. (w przypadku zapomnienia odblokowania krzeselka) Należy pamiętać, że po włożeniu metalowego zatrzasku nadal można ustawić krzesło w dowolnej pozycji. Pamiętaj tylko o wyjęciu metalowego zatrzasku przed złożeniem krzesła.

**Producent** : Shanghaimuxinmuyeyouxiangongsi

**Adres**: Shuangchenglu 803nong11hao1602A-1609shi, baoshanqu, szanghaj 200000 CN.

**Import do AUS**: SIHAO PTY LTD. 1 ROKEVA STREETEASTWOOD NSW 2122 Australia

**Import do USA**: Sanven Technology Ltd. Suite 250, 9166 Anaheim Place, Rancho Cucamonga, Kalifornia 91730

<b>EC</b>	<b>REP</b>
-----------	------------

E-CrossStu GmbH  
Mainzer Landstr.69, 60329 Frankfurt am Main.

<b>UK</b>	<b>REP</b>
-----------	------------

YH CONSULTING LIMITED.  
C/O YH Consulting Limited Office 147, Centurion House,  
London Road, Staines-upon-Thames, Surrey, TW18 4AX

**VEVOR**<sup>®</sup>

**TOUGH TOOLS, HALF PRICE**

**Techniczny Certyfikat wsparcia i e-gwarancji**

**[www.vevor.com/support](http://www.vevor.com/support)**

# **VEVOR<sup>®</sup>**

**TOUGH TOOLS, HALF PRICE**

Technisch Support und E-Garantie-Zertifikat [www.vevor.com/support](http://www.vevor.com/support)

## **KLAPPBARER LOUNGESESSL FÜR DIE TERRASSE**

### **BENUTZERHANDBUCH**

We continue to be committed to provide you tools with competitive price.

"Save Half", "Half Price" or any other similar expressions used by us only represents an estimate of savings you might benefit from buying certain tools with us compared to the major top brands and does not necessarily mean to cover all categories of tools offered by us. You are kindly reminded to verify carefully when you are placing an order with us if you are actually saving half in comparison with the top major brands.

**VEVOR**<sup>®</sup>  
TOUGH TOOLS, HALF PRICE

**PATIO FOLDING  
LOUNGE CHAIR**

Modell: HQB-FAN001 , HQB-FAN002, HQB-FAN003, HQB-FAN004



**NEED HELP? CONTACT US!**

Have product questions? Need technical support? Please feel free to contact us:

**Technical Support and E-Warranty Certificate**  
[www.vevor.com/support](http://www.vevor.com/support)

This is the original instruction, please read all manual instructions carefully before operating. VEVOR reserves a clear interpretation of our user manual. The appearance of the product shall be subject to the product you received. Please forgive us that we won't inform you again if there are any technology or software updates on our product.

## HINWEIS: Bitte bewahren Sie diese Anleitung auf

- Bitte überschreiten Sie nicht die Gewichtsbeschränkungen dieses Artikels.
- Stellen Sie sich nicht auf diesen Artikel und verwenden Sie ihn nicht als Trittleiter.
- Verwenden oder lagern Sie diesen Artikel nicht in der Nähe von offenem Feuer oder entzündlichen/brennbaren Chemikalien.
- Wenn Teile fehlen, kaputt, beschädigt oder abgenutzt sind, verwenden Sie dieses Produkt nicht mehr, bis Reparaturen durchgeführt und/oder Ersatzteile aus der Fabrik eingebaut wurden.
- Verwenden Sie diesen Artikel nicht entgegen den Anweisungen des Herstellers, da dies zum Erlöschen der Produktgarantie führen kann.
- Dieses Produkt ist nur für den privaten Gebrauch bestimmt.

## SPEZIFIKATIONEN

Modell	HQB-FAN001
Produktgröße (Breite)	645 mm
Farbe	Schwarz
Belastung	500 Pfund


Modell	HQB-FAN00 2
Produktgröße (Breite)	645 mm
Farbe	Grau
Belastung	500 Pfund

Modell	HQB-FAN00 3
Produktgröße (Breite)	645 mm
Farbe	Schwarz
Belastung	500 Pfund

Modell	HQB-FAN00 4
Produktgröße (Breite)	645 mm

Farbe	Grau
Belastung	500 Pfund

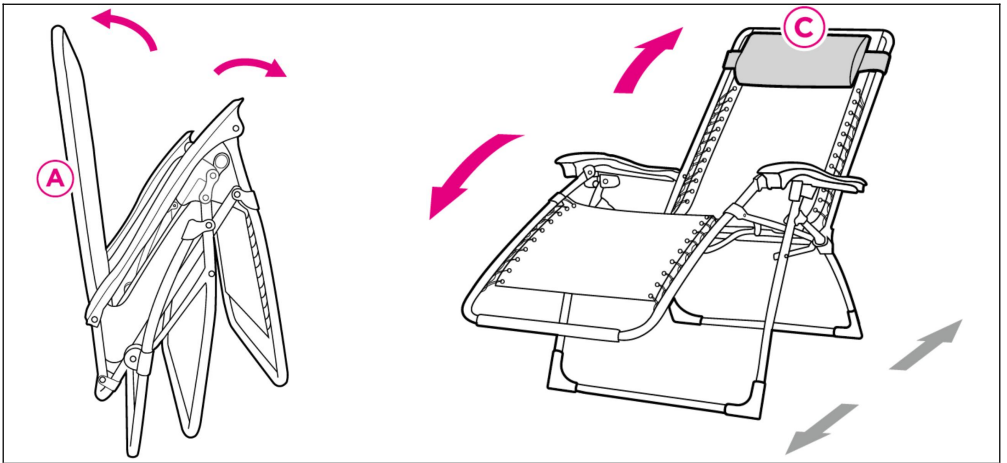
## TEILE

Ein Stuhl	B Zubehörablage	C Kopfpolster
		
D-Matte	E Augenbinde	F Ohrstöpsel
		

## PRODUKTMONTAGE

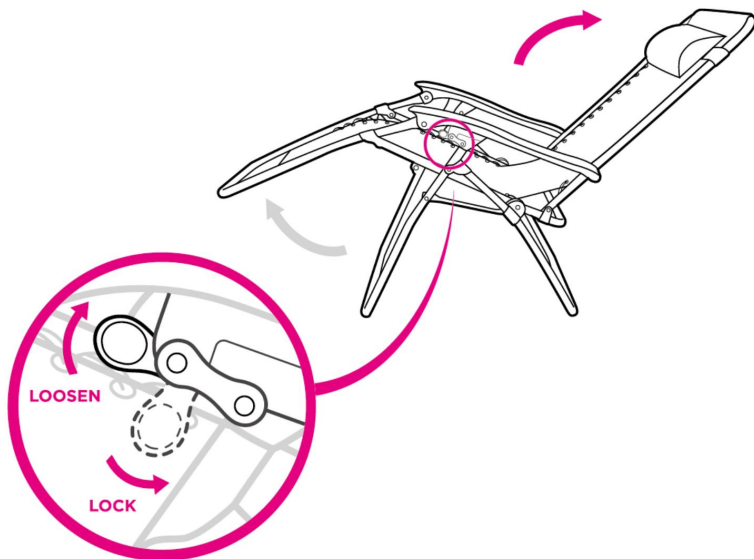
### SCHRITT 1

Stellen Sie den zusammengeklappten Teil A des Stuhls aufrecht hin, legen Sie Ihre Hände auf die obere Stange und die Armlehne und drücken Sie, um den Stuhl auseinanderzuklappen. Hängen Sie die Kopfstütze von Teil C an den Teil A des Stuhls.



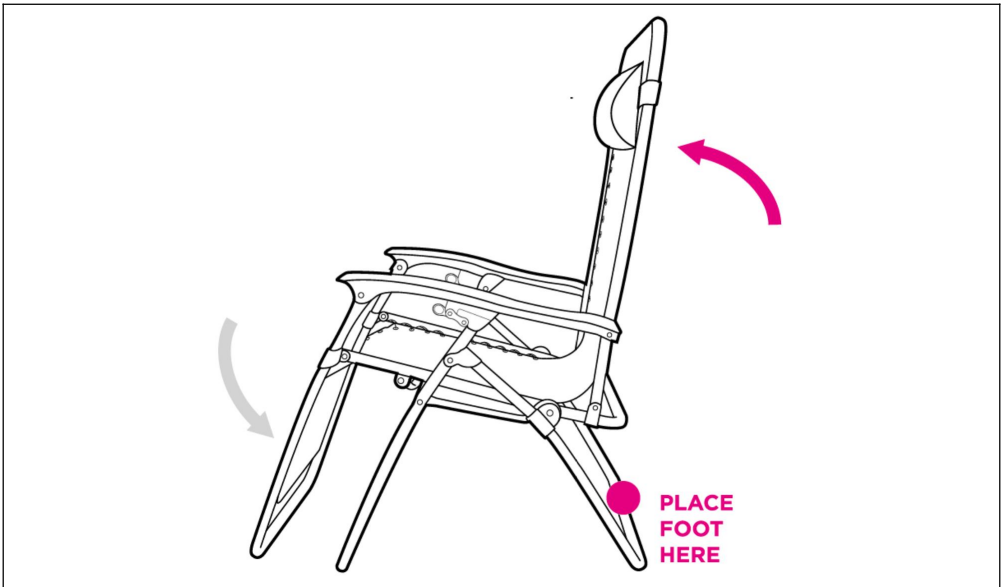
## SCHRITT 2

Heben Sie die Griffe auf beiden Seiten an und neigen Sie den Stuhl nach hinten. Drücken Sie die Griffe nach hinten, um den Stuhl in der gewünschten Position zu arretieren.



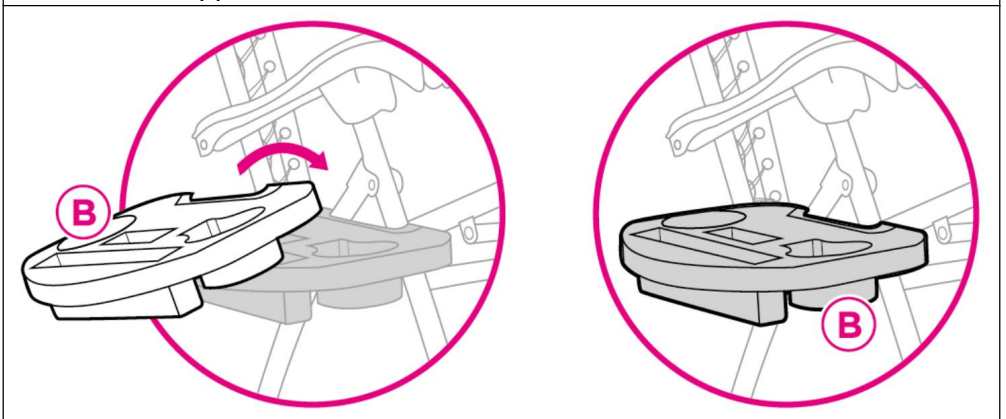
## SCHRITT 3

Um in eine aufrechte Position zurückzukehren, treten Sie auf die hintere Stützstange und ziehen Sie die obere Stange und die Armlehne zusammen.



## ZUBEHÖRABLAGE

Um das Zubehörtablett Teil B zu montieren, schieben Sie das Tablett über das Beinscharnier und drücken Sie es nach unten, um es zu verriegeln.  
HINWEIS: Entfernen Sie das Zubehörtablett, bevor Sie den Stuhl zusammenklappen.



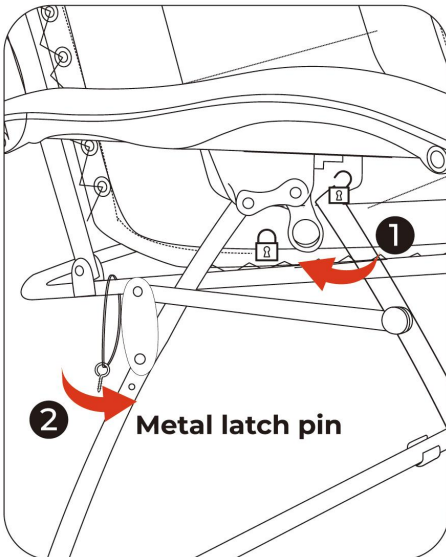
## MATTE

Legen Sie die Matte auf den Stuhl und binden Sie dann das Seil von der

## Matte an den Stuhl .



## METALLVERRIEGELUNGSSTIFT



6. Zum Verriegeln in der Position den Hebel nach unten drücken. Zum Entriegeln den Hebel nach oben drücken. Stellen Sie sicher, dass sich der Hebel in der oberen Position befindet, bevor Sie sich in den Stuhl setzen oder aus dem Stuhl aufstehen.

2. **WICHTIG..**Um Schäden am Stuhl zu vermeiden, klappen Sie den Stuhl **NICHT** zusammen, wenn er verriegelt ist! Ein Metallverriegelungsstift verhindert, dass der Stuhl im zusammengeklappten Zustand verriegelt wird. (Falls Sie vergessen, den Stuhl zu entriegeln.) Bitte beachten Sie, dass Sie den Stuhl auch bei eingestecktem Metallverriegelungsstift in jede beliebige Position bringen können. Denken Sie

	einfach daran, den Metallverriegelungsstift herauszuziehen, bevor Sie den Stuhl zusammenklappen.
--	--

**Hersteller :** Shanghaimuxinmuyeyouxiangongsi

**Adresse:** Shuangchenglu 803nong11hao1602A-1609shi, Baoshanqu, Shanghai 200000 CN.

**Nach AUS importiert:** SIHAO PTY LTD. 1 ROKEVA  
STREETEASTWOOD NSW 2122 Australien

**Importiert in die USA:** Sanven Technology Ltd. Suite 250, 9166 Anaheim Ort, Rancho Cucamonga, CA 91730



E-CrossStu GmbH  
Mainzer Landstr.69, 60329 Frankfurt am Main.



YH CONSULTING LIMITED.  
C/O YH Consulting Limited Office 147, Centurion House,  
London Road, Staines-upon-Thames, Surrey, TW18 4AX

**VEVOR<sup>®</sup>**

**TOUGH TOOLS, HALF PRICE**

**Technisch Support und E-Garantie-Zertifikat**

**[www.vevor.com/support](http://www.vevor.com/support)**

# **VEVOR<sup>®</sup>**

**TOUGH TOOLS, HALF PRICE**

Technique Assistance et certificat de garantie électronique

[www.vevor.com/support](http://www.vevor.com/support)

## **CHAISE LONGUE PLIANTE POUR PATIO MANUEL DE L'UTILISATEUR**

We continue to be committed to provide you tools with competitive price.

"Save Half", "Half Price" or any other similar expressions used by us only represents an estimate of savings you might benefit from buying certain tools with us compared to the major top brands and does not necessarily mean to cover all categories of tools offered by us. You are kindly reminded to verify carefully when you are placing an order with us if you are actually saving half in comparison with the top major brands.

# VEVOR®

TOUGH TOOLS, HALF PRICE

**PATIO FOLDING  
LOUNGE CHAIR**

Modèle : HQB-FAN001 , HQB-FAN002, HQB-FAN003,  
HQB-FAN004.



**NEED HELP? CONTACT US!**

Have product questions? Need technical support? Please feel free to contact us:

**Technical Support and E-Warranty Certificate**  
**[www.vevor.com/support](http://www.vevor.com/support)**

This is the original instruction, please read all manual instructions carefully before operating. VEVOR reserves a clear interpretation of our user manual. The appearance of the product shall be subject to the product you received. Please forgive us that we won't inform you again if there are any technology or software updates on our product.

## AVIS : Veuillez conserver ces instructions

- Veuillez ne pas dépasser les limites de poids de cet article.
- Ne vous tenez pas debout et n'utilisez aucune partie de cet article comme escabeau.
- N'utilisez pas et ne stockez pas cet article à proximité d'une flamme nue ou de produits chimiques inflammables/combustibles.
- Si des pièces sont manquantes, cassées, endommagées ou usées, arrêtez d'utiliser ce produit jusqu'à ce que les réparations soient effectuées et/ou que les pièces de rechange en usine soient installées.
- N'utilisez pas cet article d'une manière incompatible avec les instructions du fabricant car cela pourrait annuler la garantie du produit.
- Ce produit est destiné à un usage résidentiel uniquement.

## CARACTÉRISTIQUES

Modèle	HQB-FAN001
Taille du produit (largeur)	645mm
Couleur	Noir
Charger	500 livres

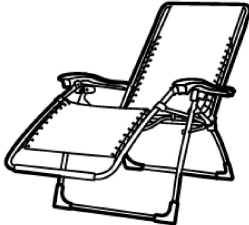
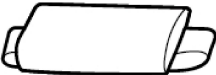
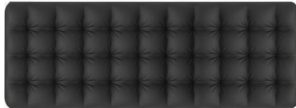


Modèle	HQB-FAN00 2
Taille du produit (largeur)	645mm
Couleur	Gris
Charger	500 livres

Modèle	HQB-FAN00 3
Taille du produit (largeur)	645mm

Couleur	Noir
Charger	500 livres

Modèle	HQB-FAN00 4
Taille du produit (largeur)	645mm
Couleur	Gris
Charger	500 livres

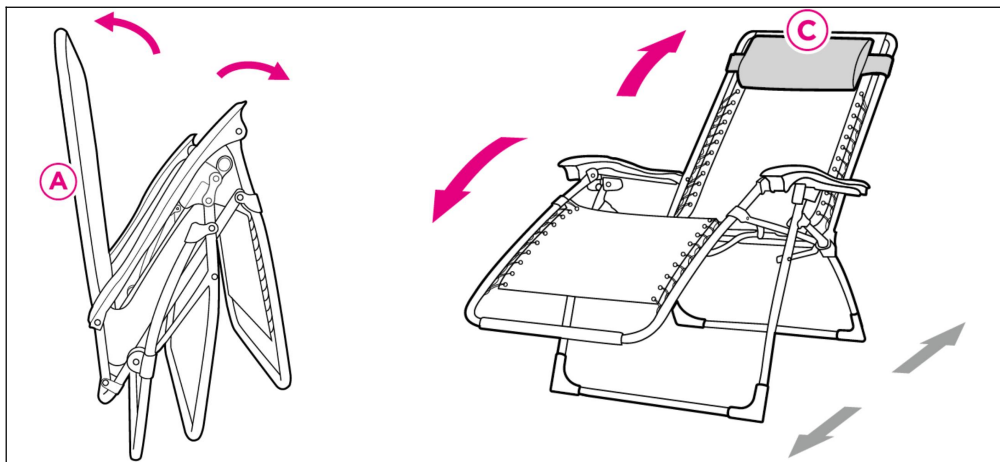
## LES PIÈCES

Une chaise	B Plateau d'accessoires	C Coussin de tête
		
Tapis D	E Les yeux bandés	F Bouchon d'oreille
		

## ASSEMBLAGE DU PRODUIT

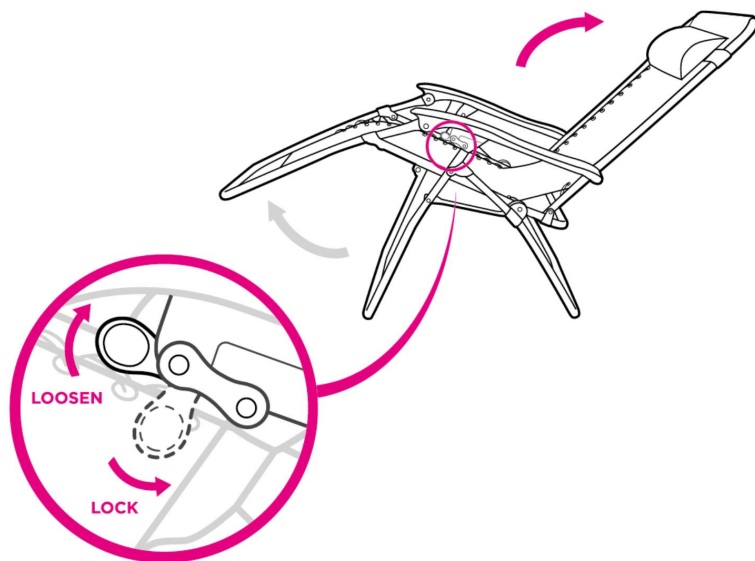
### ÉTAPE 1

Placez la partie pliée de la chaise A à la verticale, puis placez vos mains sur la barre supérieure et l'accoudoir, puis poussez pour ouvrir la chaise. Enroulez l'appui-tête de la partie C sur la chaise de la partie A.



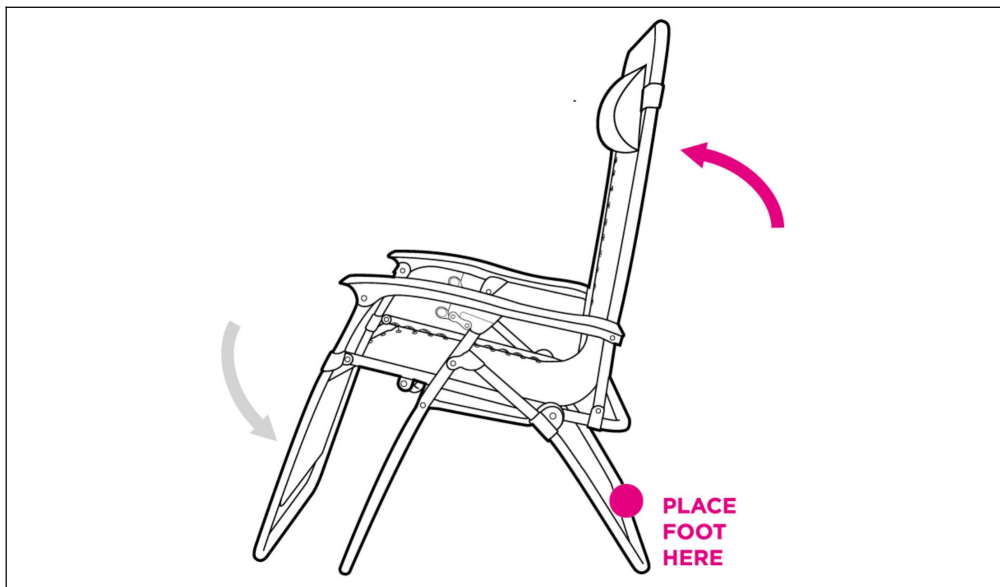
## ÉTAPE 2

Soulevez les poignées des deux côtés et inclinez la chaise. Poussez les poignées vers l'arrière pour verrouiller la chaise à la position souhaitée.



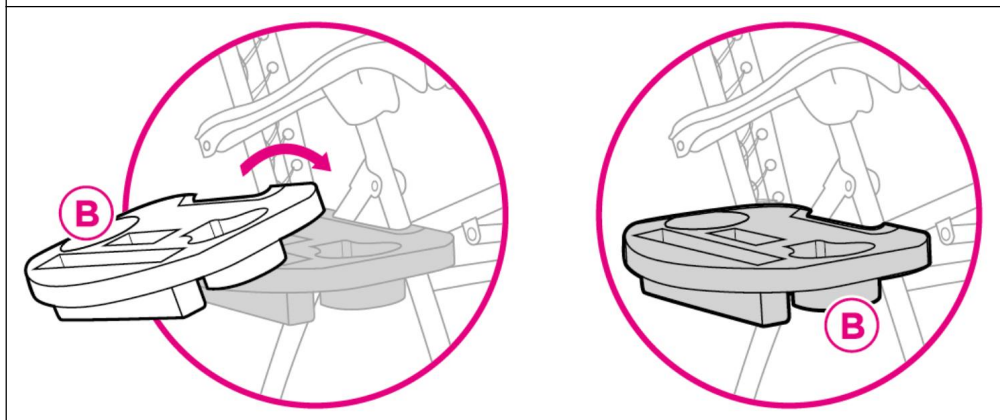
## ÉTAPE 3

Pour revenir en position verticale, montez sur la barre de support arrière et rapprochez la barre supérieure et l'accoudoir.



## PLATEAU ACCESSOIRES

Pour installer le plateau d'accessoires de la partie B, faites glisser le plateau sur la charnière du pied et appuyez vers le bas pour le verrouiller en place. REMARQUE : Retirez le plateau d'accessoires avant de plier le fauteuil.

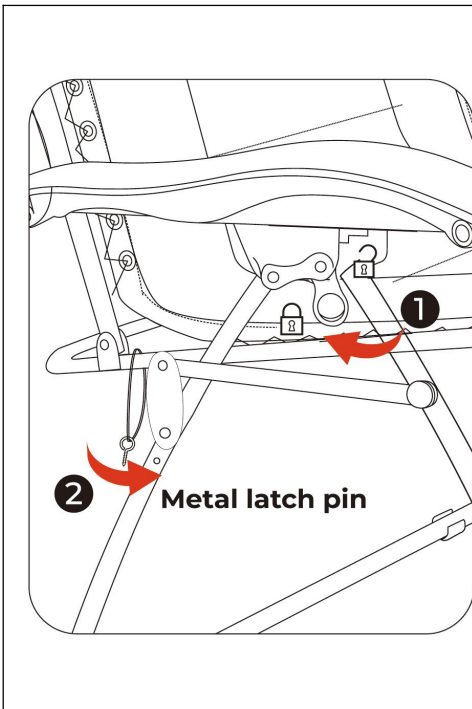


## TAPIS

Posez le tapis sur la chaise, puis attachez la corde du tapis à la chaise .



## GOUPILLE DE LOQUET EN MÉTAL



7. Pour verrouiller en position, poussez le levier vers le bas. Pour déverrouiller, appuyez sur le levier vers le haut.

Assurez-vous que le levier est en position haute avant de vous asseoir sur la chaise ou de vous lever de la chaise.

2. **IMPORTANT..** Pour éviter d'endommager le fauteuil, **NE** pliez **PAS** le fauteuil lorsqu'il est verrouillé ! Une goupille de verrouillage en métal est utilisée pour empêcher la chaise pliée de se verrouiller. (au cas où vous oublieriez de déverrouiller le fauteuil) Veuillez noter que même si la goupille de verrouillage métallique est insérée, vous pouvez toujours régler le fauteuil dans n'importe quelle position. N'oubliez pas de retirer la goupille de verrouillage en métal

avant de plier la chaise.

**Fabricant** : Shanghaimuxinmuyeyouxiangongsi

**Adresse** : Shuangchenglu 803nong11hao1602A-1609shi, baoshanqu,  
Shanghai 200000 CN.

**Importé en Australie** : SIHAO PTY LTD. 1 ROKEVA STREETASTWOOD  
NSW 2122 Australie

**Importé aux États-Unis** : Sanven Technology Ltd. Suite 250, 9166  
Anaheim

Lieu, Rancho Cucamonga, CA 91730

**EC**

**REP**

E-CrossStu GmbH

Mainzer Landstr.69, 60329 Frankfurt am Main.

**UK**

**REP**

YH CONSULTING LIMITED.

C/O YH Consulting Limited Office 147, Centurion House,  
London Road, Staines-upon-Thames, Surrey, TW18 4AX

**VEVOR**<sup>®</sup>

**TOUGH TOOLS, HALF PRICE**

**Technique Assistance et certificat de garantie électronique**

**[www.vevor.com/support](http://www.vevor.com/support)**

# **VEVOR<sup>®</sup>**

**TOUGH TOOLS, HALF PRICE**

Technisch Ondersteuning en e-garantiecertificaat [www.vevor.com/support](http://www.vevor.com/support)

## **PATIO OPVOUWBARE LOUNGESTOEL HANDLEIDING**

We continue to be committed to provide you tools with competitive price.

"Save Half", "Half Price" or any other similar expressions used by us only represents an estimate of savings you might benefit from buying certain tools with us compared to the major top brands and does not necessarily mean to cover all categories of tools offered by us. You are kindly reminded to verify carefully when you are placing an order with us if you are actually saving half in comparison with the top major brands.

# VEVOR<sup>®</sup>

TOUGH TOOLS, HALF PRICE

**PATIO FOLDING  
LOUNGE CHAIR**

Modellen: HQB-FAN001 , HQB-FAN002, HQB-FAN003,  
HQB-FAN004



**NEED HELP? CONTACT US!**

Have product questions? Need technical support? Please feel free to contact us:

**Technical Support and E-Warranty Certificate**  
**[www.vevor.com/support](http://www.vevor.com/support)**

This is the original instruction, please read all manual instructions carefully before operating. VEVOR reserves a clear interpretation of our user manual. The appearance of the product shall be subject to the product you received. Please forgive us that we won't inform you again if there are any technology or software updates on our product.

### OPMERKING: Bewaar deze instructies

- Overschrijd de gewichtslimieten van dit artikel niet.
- Ga niet op dit artikel staan en gebruik geen enkel onderdeel ervan als ladder.
- Gebruik of bewaar dit artikel niet in de buurt van open vuur of ontvlambare/brandbare chemicaliën.
- Als er onderdelen ontbreken, kapot, beschadigd of versleten zijn, stop dan met het gebruik van dit product totdat reparaties zijn uitgevoerd en/of vervangende fabrieksonderdelen zijn geïnstalleerd.
- Gebruik dit artikel niet op een manier die niet in overeenstemming is met de instructies van de fabrikant, aangezien hierdoor de productgarantie kan komen te vervallen.
- Dit product is uitsluitend bedoeld voor huishoudelijk gebruik.

## SPECIFICATIES

Model	HQB-FAN001
Productgrootte (breedte)	645 mm
Kleur	Zwart
Laden	500 pond


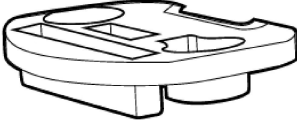
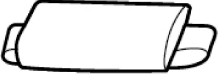
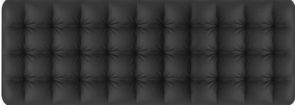


Model	HQB-FAN00 2
Productgrootte (breedte)	645 mm
Kleur	Grijs
Laden	500 pond

Model	HQB-FAN00 3
Productgrootte (breedte)	645 mm

Kleur	Zwart
Laden	500 pond

Model	HQB-FAN00 4
Productgrootte (breedte)	645 mm
Kleur	Grijs
Laden	500 pond

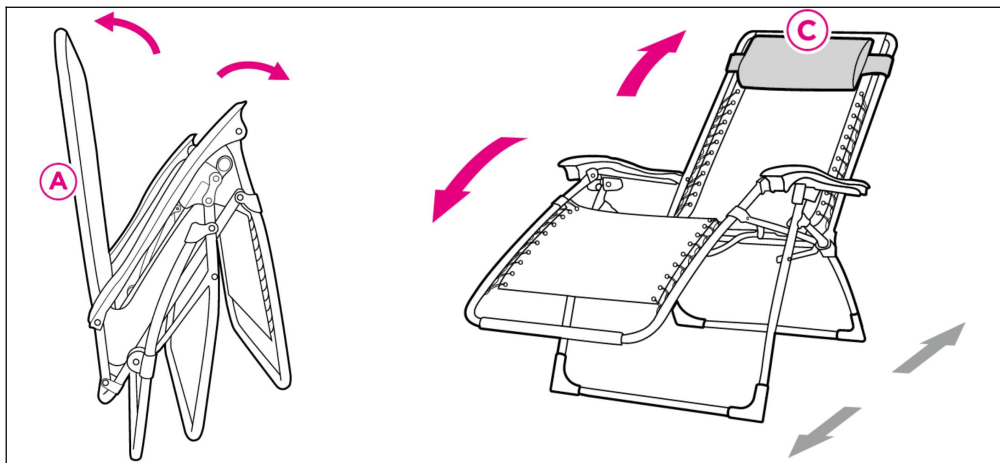
## ONDERDELEN

Een stoel	B Accessoirebak	C Hoofdkussen
		
D Mat	E Blinddoek	F Oordopje
		

## PRODUCTMONTAGE

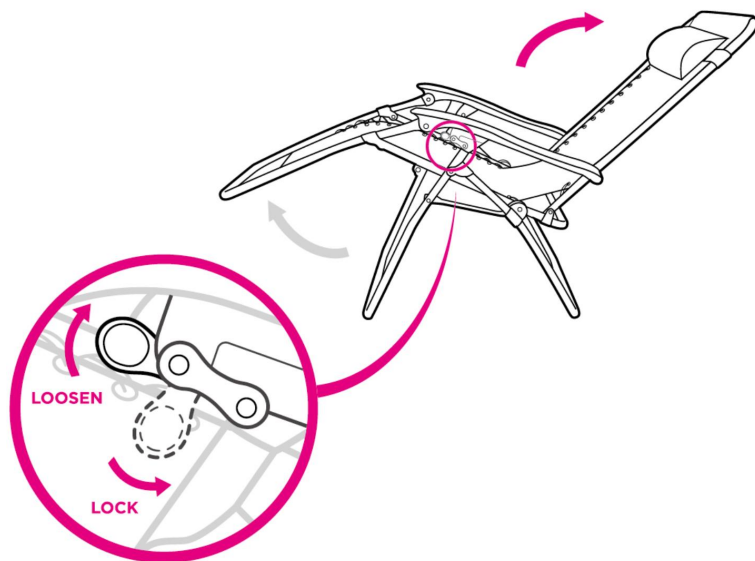
### STAP 1

Zet het ingeklapte deel A-stoel rechtop, plaats vervolgens uw handen op de bovenste stang en de armleuning en druk vervolgens om de stoel open te spreiden. Lus de hoofdsteun van deel C op de stoel van deel A.



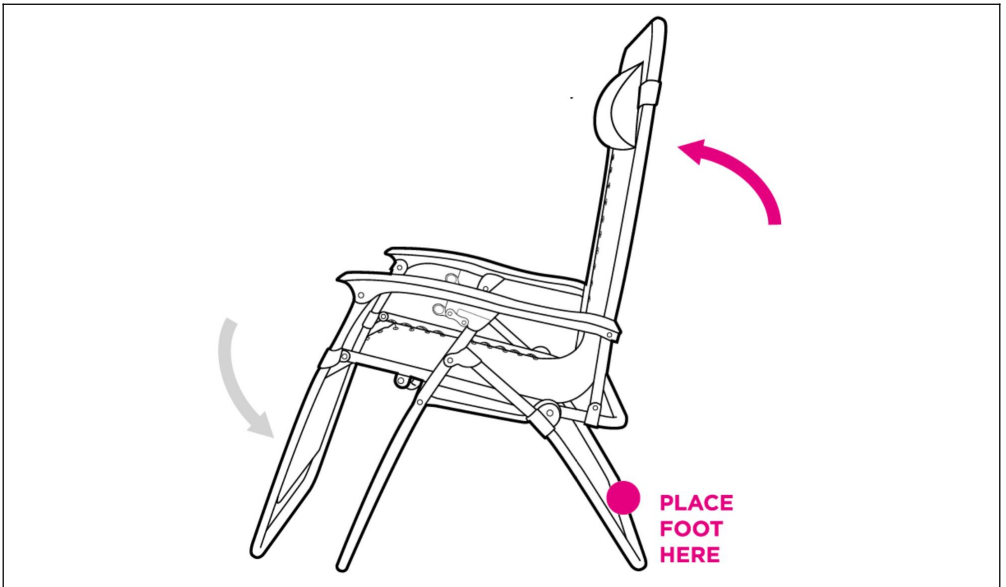
## STAP 2

Til de handgrepen aan beide kanten omhoog en laat de stoel achterover leunen. Duw de handgrepen naar achteren om de stoel in de gewenste positie te vergrendelen.



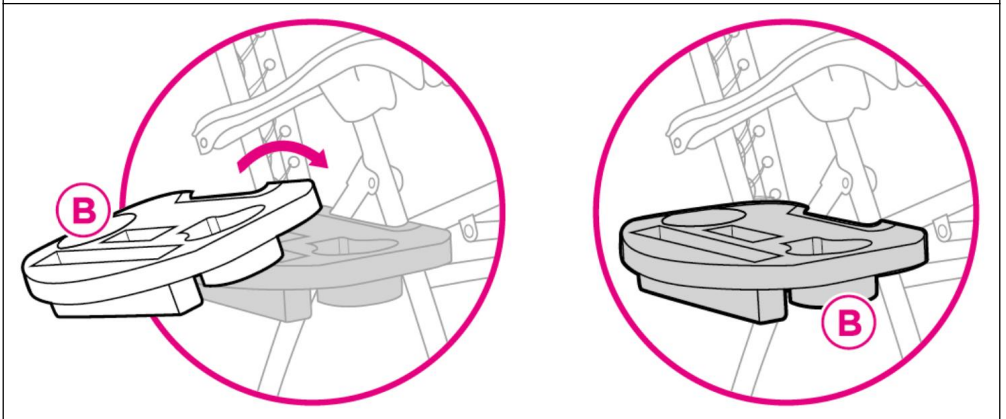
## STAP 3

Om weer rechtop te komen, stapt u op de achterste steunbalk en trekt u de bovenste balk en de arMLEuning naar elkaar toe.



## ACCESSOIRE LADE

Om het accessoirebakje van onderdeel B te installeren, schuift u het bakje over het pootscharnier en duwt u het naar beneden om het op zijn plaats te vergrendelen. **OPMERKING:** Verwijder de accessoirebak voordat u de stoel inklapt.



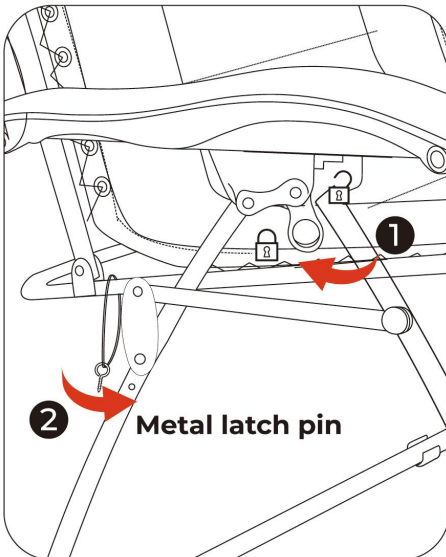
## MAT

Leg de mat op de stoel en bind vervolgens het touw van de mat aan de

stoel .



## METALEN KLINKPEN



8. Om op zijn plaats te vergrendelen, duwt u de hendel naar beneden. Om te ontgrendelen drukt u op de hendel Omhoog. Zorg ervoor dat de hendel in de hoogste stand staat voordat u in de stoel gaat zitten of uit de stoel stapt.

2. **BELANGRIJK.** Om schade aan de stoel te voorkomen, mag u de stoel **NIET** inklappen terwijl deze vergrendeld is! Een metalen grendelpin helpt voorkomen dat de opgevouwen stoel vergrendelt. (voor het geval u vergeet de stoel te ontgrendelen) Houd er rekening mee dat u de stoel nog steeds in elke positie kunt verstellen terwijl de metalen vergrendelpin is geplaatst. Vergeet niet om de metalen grendelpin eruit

te trekken voordat u de stoel inklappt.

**Fabrikant :** Shanghai muxinmuyeyouxiangongsi

**Adres:** Shuangchenglu 803nong11hao1602A-1609shi, baoshanqu, shanghai 200000 CN.

**Geïmporteerd naar AUS:** SIHAO PTY LTD. 1 ROKEVA STREET EASTWOOD NSW 2122 Australië

**Geïmporteerd in de VS:** Sanven Technology Ltd. Suite 250, 9166 Anaheim

Plaats, Rancho Cucamonga, CA 91730

**EC**

**REP**

E-CrossStu GmbH

Mainzer Landstr.69, 60329 Frankfurt am Main.

**UK**

**REP**

YH CONSULTING LIMITED.

C/O YH Consulting Limited Office 147, Centurion House, London Road, Staines-upon-Thames, Surrey, TW18 4AX

**VEVOR**<sup>®</sup>

**TOUGH TOOLS, HALF PRICE**

**Technisch Ondersteuning en e-garantiecertificaat**

**[www.vevor.com/support](http://www.vevor.com/support)**