

VEVOR

Affordable. Reliable. Home Improvement.

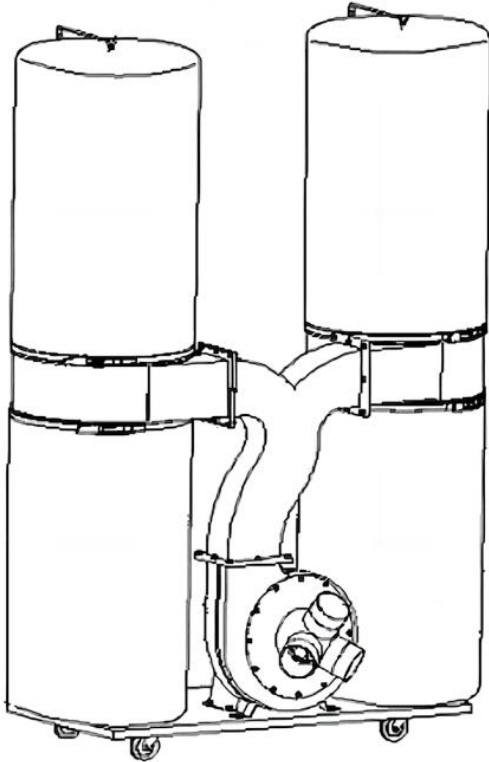
DUST COLLECTOR

MODEL: DC20003

VEVOR

Affordable. Reliable. Home Improvement.

MODEL: DC20003



Please scan the QR code to watch the video code on how to install it.

This is the original instruction, please read all manual instructions carefully before operating. VEVOR reserves a clear interpretation of our user manual. The appearance of the product shall be subject to the product you received. Please forgive us that we won't inform you again if there are any technology or software updates on our product.

SAFETY RULES

1. Read and become familiar with the entire operating manual.
2. Keep guards and cover in place and in working order.
3. Always use safety glasses, also use face or dust mask if cutting operations are dusty. Everyday eye-glasses only have impact-resistant lenses; they are not safety glasses.
4. Keep work area clean. Cluttered areas and benches invite accidents.
5. Don't force tools. It will do a better and safer job at the rate for which it was designed.
6. Avoid accidental starting. Make sure switch is in "off" Position before plugging in cord.
7. Don't overreach. Keep your proper footing and balance at all times. For best footing wear rubber soled footwear. Keep floor clear of oil, scrap wood, etc.
8. Wear proper apparel. Loose clothing or jewelry may get caught in moving parts. Wear protective hair covering to contain long hair.
9. Make workshop kidproof. Place a padlock on the switch when blade saw is not in use and store the key in a safe location.
10. Remove adjusting keys and wrenches. Form habit of checking to see that keys and adjusting wrenches are removed from tool before turning it on.
11. Avoid dangerous environments. Don't use power tools in damp or wet locations. Keep your work area well illuminated. Do not use it in explosive atmospheres (around paint, flammable liquids, etc.)
12. Keep children away. All visitors should be kept at safe distance from work area, especially while operating unit.

13. Use the proper tool. Don't force tool or attachment to do a job for which it was not designed.
14. Maintain tools in top condition. Keep tools sharp and clean for best and safest performance. Follow instructions for lubricating and changing accessories.
15. Secure work. Use clamps or a vise to hold work, when practical. It's safer than using your hand and prevents round or irregularly shaped pieces from turning.
16. Check damaged parts. Before further use of the tool, a guard or other part that is damaged should be checked to ensure that it will operate properly and perform its intended function. Check for alignment of moving parts, breakage of parts, mounting, any other conditions that may affect its operations. A guard or other part that is damaged should be properly repaired or replaced.
17. Use recommended accessories-consult owner's manual. Use of improper accessories could be hazardous.
18. Never stand on tool. Injury could occur from a fall.
19. Never leave tool running and unattended.
20. Always remove cord plug from electrical outlet when adjusting, changing parts or working on tool.
21. Always remove cord plug from electrical outlet when adjusting, changing parts or working on tool.

SPECIFIC SAFETY INSTRUCTIONS

Read and understand the instruction manual before operating the dust collector. Basic precautions listed below should always be followed when using your dust collector to reduce the risk of injury, electrical shock or fire.

1. This dust collector is intended only for collecting wood dust and chips from woodworking machines. Do not use dust collector for anything except wood dust. Material such as liquids, aerosols, metal dust, screws, glass, plastic or rock can cause sparks when coming into contact with any part of the collection system.
2. Never allow steel to come into contact with impeller. Impact with any hard material may result in sparks which may cause fire. Be mindful of any situation that results in a risk of fire.
3. Dust created while using machinery may cause cancer, birth defects, or long-term respiratory damage. Be aware of dust hazards associated with each workpiece material and always wear a NIOSH-approved respirator.
4. Do not place your hands, lumber or tools near the inlet opening while machine is plugged in or during operation. Keep animals and children away from open dust collection inlets.
5. Regularly check and empty the collection bag to avoid the buildup of fine dust that can increase the risk of fire. Regularly clean the surrounding area of the machine. Excessive dust buildup on heat sources such as overhead lights and electrical panels will increase the risk of fire.
6. Always wear a respirator and safety glasses when removing, emptying or replacing the collection bag. Empty dust away from ignition sources and into a suitable container.
7. Always connect dust collector to the matched power source.

IMPORTANT: Always consider safety first as it applies to your individual working conditions, the environment in every shop is different.

SAVE ALL WARNINGS AND INSTRUCTIONS FOR FUTURE REFERENCE.

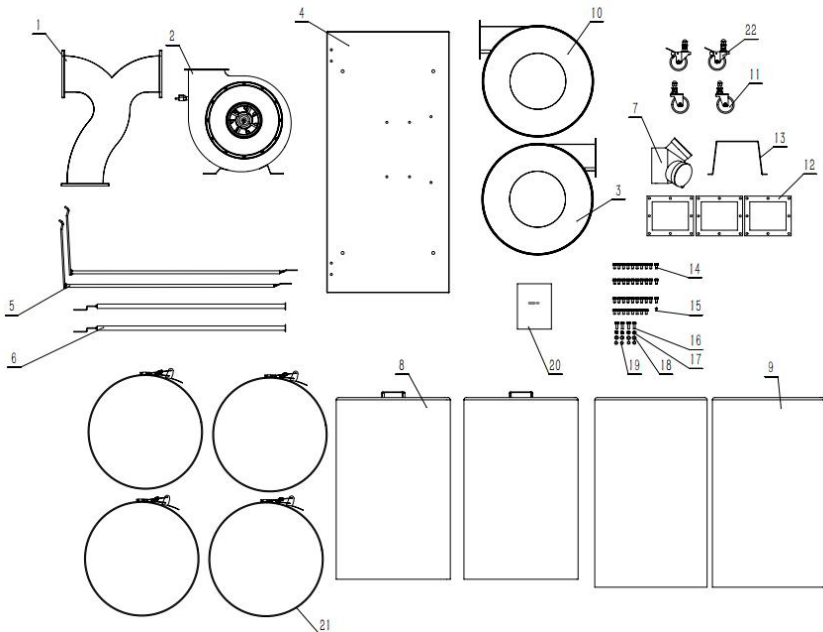
TECHNICAL DATA

Motor Power	3 HP/2200W
Inlet Diameter	4 in/100 mm x 3
Fan Diameter	12 in/305 mm
Bag Capacity(cubic meter)	42*2 Gal
Collection Capacity (cubic meter/hr)	1550CFM (2600 m3/h)
Hose Connector:	100 mm
Overall Size(L x W x H)	1440 x 730 x 2000 mm
Packing Size(L x W x H)	1220 x 620 x 635 mm

ASSEMBLY

Unpacking and checking contents

Check for shipping damage. Check immediately whether all parts and accessories are included. If anything is missing or broken, contact your retailer.



No.	Description	Qty	No.	Description	Qty
1	Connector	1	12	Packing	3
2	Collector body & fan/motor assembly	1	13	Motor base	1
3	Left Collector	1	14	Hexagon headed bolt/M8×16	38
4	Base plate	1	15	Screw/M5×10	1
5	Upper bag support	2	16	Hexagon headed bolt/M8×25	4
6	Suppprt	2	17	Nut/M8	4
7	Inlet	1	18	flat washer/8	4
8	Bag dust filter	3	19	Spring washer/8	4
9	Dust bag	4	20	Instructions	1
10	Right Collector	2	21	Bag clamp	4
11	Wheel	2	22	Brake wheels	2

1 Electrical connection

- The motor operates on the sign. The cord must be at least 1.0mm in cross-section. If a fault occurs, immediately remove the plug from the power outlet. Then check the machine and rectify any faults.

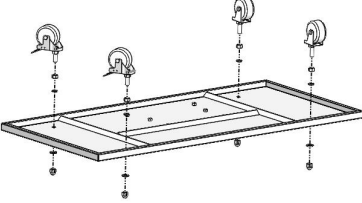
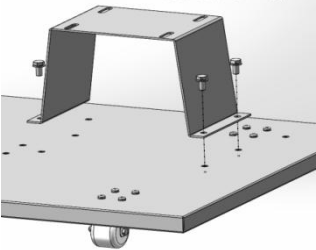
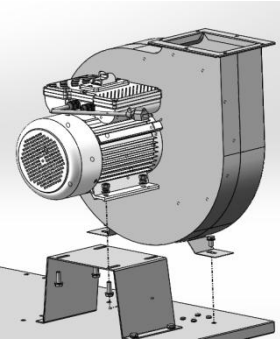
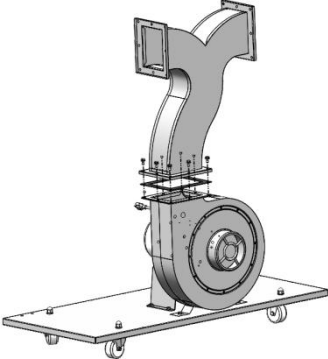
2 General

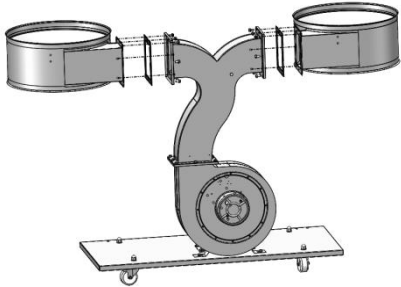
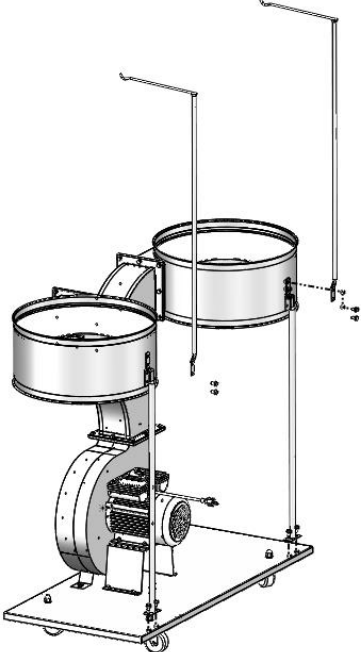
- Do not suck pieces of metal, large blocks of wood or pieces of batten into the collector.
- Use only accessories designed for the DC20001.

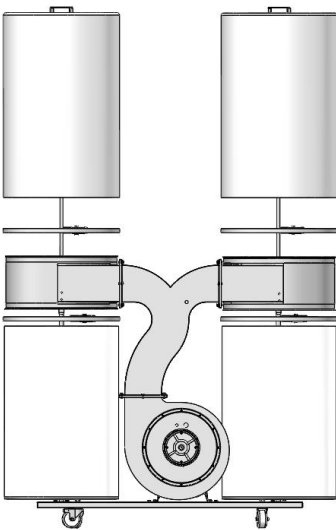
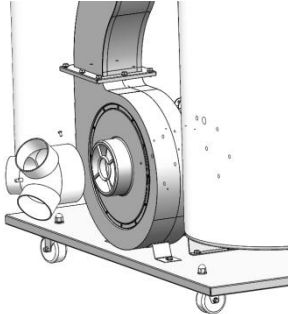
3 Cleaning

- The dust collector should be cleaned each time the collection bag is changed.
- Damaged filters and bags must be replaced immediately in order to minimize dust dispersion in the work area.

4 Assembly

1	<p>To assemble, first place the base plate upside down and attach the four casters (11,22#) to the holes provided and tighten with wrench.</p>	
2	<p>Attach the Motor base (13 #) over the Base plate (4 #) with 4 Hexagon headed bolt/M8×16 (14 #)</p>	
3	<p>Attach Collector body & fan/motor assembly (2 #) with 4 Hexagon headed bolt/M8×25 and 4 flat washer/8 (16 #) + 4 flat washer/8 (18 #), 4 spring washer/8 (19 #) and 4 nut M8 (17#) to Motor base (13 #) Attach Collector body & fan/motor assembly (2 #) to Base plate (4 #) with Hexagon headed bolt/M8×16 (14 #)</p>	
4	<p>Install the packing(12 #) and connector (1 #) to the collector body assembly (2 #) using 8 Hexagon headed bolt/M8×16 (14 #).</p>	

<p>5</p>	<p>Install the left collector(3 #),right collector(10 #) and two packing(12 #)to the outlet of the collector body assembly (2 #) using 16 Hexagon headed bolt/M8×16 (14 #).</p>	
<p>6</p>	<p>Attach the support (6 #) to the Base plate (4 #) with 4 Hexagon headed bolt/M8×16(14 #) Fixed the support (6 #)and Upper bag support (5 #) on the Collector (3#, 10 #) with 4 Hexagon headed bolt/M8×16 (14 #)</p>	

7	<p>Attach Bag clamp (21 #) fix the Bag dust filter (8#) and Dust bag (9 #) on the Collector (3 #,10#)</p>	
8	<p>Use the screw (15 #) to fix the inlet (7 #)</p>	

The dust collector is now ready to be placed into service. Before connecting to a power source, be sure the power source is properly grounded and is of proper voltage and amperage.

5 TEST:

Before starting the dust collector, make sure you have read and understood the manual and you are familiar with the functions and safety features on the machine. Failure to do so may cause serious personal injury.

Run a test to ensure the dust collector operates properly.

- Ensure all tools are removed from the work area and the wall mounting brackets are secure.

- Plug the power cord into the correct receptacle. (Refer to Power Source paragraph in this section of the manual.)
- Turn the dust collector ON. (Refer to On/Off Switch paragraph in **Operation** section of the manual.)
- If unusual noise or excessive vibration is noticed, shut off the machine immediately and disconnect the cord from the power source. Check all the assembled parts once again and investigate to find the problem. If everything operates correctly the dust collector is ready for use.

6 POWER SOURCE:

Do not connect dust collector to the power source until all assembly steps have been completed.

The motor is designed for operation on the voltage and frequency specified. Normal loads will be handled safely on voltages not more than 10% above or below specified voltage.

Running the unit on voltages that are not within the range may cause overheating and motor burn-out. Heavy loads require that the voltage at motor terminals be no less than the voltage specified on nameplate.

7 GROUNDING INSTRUCTIONS:

Improper connection of equipment grounding conductor can result in the risk of electrical shock. Equipment should be grounded while in use to protect operator from electrical shock

- Check with a qualified electrician if you do not understand grounding instructions or if you are in doubt as to whether the tool is properly grounded.
- This tool is equipped with an approved cord and a 3-prong grounding type plug for your protection against shock hazards.
- Grounding plug should be plugged directly into a properly installed and grounded 3-prong grounding type receptacle.
- Do not remove or alter grounding prong in any manner. In the event of a malfunction or breakdown, grounding provides a path of least resistance for electrical shock.

Do not allow fingers to touch the terminals of plug when installing or removing from outlet.

- Plug must be plugged into matching outlet that is properly installed and grounded in accordance with all local codes and ordinances. Do not modify plug provided. If it will not fit in outlet, have proper outlet installed by a qualified electrician.
- Inspect tool cords periodically, and if damaged, have repaired by an authorized service facility.
- Green (or green and yellow) conductor in cord is the grounding wire. If repair or replacement of the electric cord or plug is necessary, do not connect the green (or green and yellow) wire to a live terminal.

8 EXTENSION CORDS:

- The use of an extension cord is not recommended. The use of any extension cord will cause some drop in voltage and loss of power.
- Wires of the extension cord must be of sufficient size to carry the current and maintain adequate voltage.
- Extension cord length Up to 50 ft. Wire Size Up to 14 A.W.G or 1.5mm².
- Use only 3-wire extension cords having 3-prong grounding type plugs and 3-pole receptacles which accept the tool plug.
- If the extension cord is worn, cut or damaged in any way, Replace it immediately.

OPERATION

1. Connect the dust collector to your woodworking machine using a 4-inch dust collection hose (not included). Adaptors may be needed depending the dust port size of your machine.
2. When starting the dust collector, the amperage may spike up to 80 amps for a short moment and this can risk tripping the electrical circuit. Be sure to both inlet ports are covered before starting your dust collector. The least amount of power will be drawn when there is no air flow.
3. Making sure the dust collector switch is in the OFF position, insert the power plug into a matching receptacle. Then, switch ON the dust collector and start operating your woodworking machine.
4. REPLACING THE COLLECTION BAG .Empty the collection bag on a regular basis. This will allow the dust collector to operate at its maximum efficiency.
 - Disconnect the dust collector from the power outlet. Make sure you are wearing a respirator or dust mask, and safety glasses.
 - Release the belt clamp securing the collection bag, then remove the bag from the collector.
 - Securely close the top of the bag and safely dispose of it according to local and federal standards.
 - Install a new collection bag.

MAINTENANCE

GENERAL MAINTENANCE

Make sure the machine is turned off and the cord is disconnected from the power source before servicing and removing/replacing any components on the machine.

- Check the dust collector daily for loose mounting bolts, screws, damaged wires, worn switch, full collection bag and any other unsafe condition.
- The impeller screw may loosen with use. Check the impeller once a

month to ensure the impeller screws are tight, securing the impeller on the shaft.

- To check: Make sure the machine is turned off and the cord is disconnected from the power source. Access the impeller screws through the inlet cover on the machine and tighten to secure the impeller on the shaft.

CLEANING

Check and empty the collection bag on your dust collector regularly. The machine operates at a much higher level of efficiency when the collection bag is empty.

MACHINE STORAGE

- When the dust collector is not in use, disconnect the cord from the power source and store the machine in a dry place.
- Do not expose the machine to rain.
- Ensure the cord is kept away from potential damage sources such as; sharp objects, chemicals, heat sources and water.

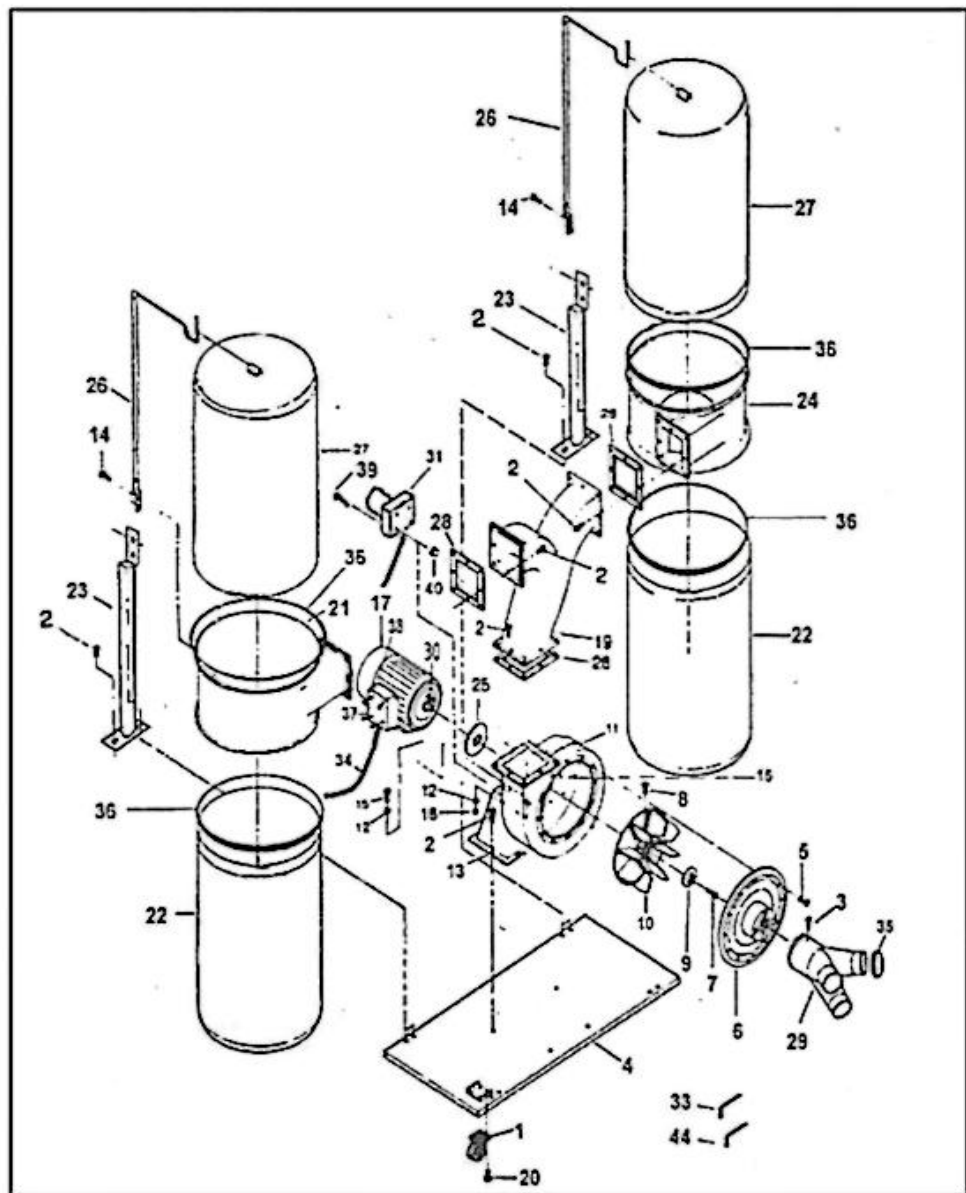
TOOL REPAIRS

- If power cord is worn, cut, or damaged in any way, have it replaced immediately.
- Replace worn abrasives when needed.
- Replace any damaged or missing parts. Use parts list to order parts. Any attempt to repair motor may create a hazard unless repair is done by a qualified service technician.

TROUBLESHOOTING

SYMPTOM	POSSIBLE CAUSE(S)	CORRECTIVE ACTION
Motor will not start	<ol style="list-style-type: none"> 1.Low voltage 2.Open circuit in motor or loose connections 3.Defective switch 4.Defective capacitor 5.Switch key is removed 	<ol style="list-style-type: none"> 1.1. Check power line for proper voltage 2.Inspect all lead connections on motor for loose or open connection 3.Replace switch 4.Replace capacitor 5. Insert switch key
Motor will not start; fuses blown or circuit breakers are tripped	<ol style="list-style-type: none"> 1.Short circuit inline cord or plug 2.Short circuit in motor or loose connections 3.Incorrect fuses or circuit breakers in power line 	<ol style="list-style-type: none"> 1.Inspect line cord or plug for damaged insulation and shorted wires 2.Inspect all lead connections on motor for loose or shorted terminals or worn insulation on wires 3.Install correct fuses or circuit breakers
Unit has vibration or noisy operation	<ol style="list-style-type: none"> 1. Motor or components are loose 2. Motor mount is loose/broken 3. Unit is incorrectly mounted to wall 4.Motor fan is rubbing cover 5.Motor bearings faulty 	<ol style="list-style-type: none"> 1. Inspect/replace any stripped or damaged bolts/nuts and re-tighten. 2.Tighten/replace 3.Tighten/replace mounting hardware 4.Replace fan cover; replace loose/damaged fan.
Loud, repetitious noise or excessive vibration coming from dust collector	<ol style="list-style-type: none"> 1.Dust collection bag is full 2.Dust collector hose restricted 3.The lumber is wet and dust is not flowing through the hose smoothly 4.There is a leak in the hose 	<ol style="list-style-type: none"> 1.Empty collection bag. 2.Remove hose from dust collector inlet and unblock the restriction in the hose. A plumbing snake may be necessary. 3.Process lumber with less than 20% moisture content. 4.Inspect and replace hose.
Sawdust blown into the air from the dust collector	Hose clamps or dust collection bag is not properly clamped and secured.	Check hose and dust collection bag, ensure hose and bag clamps are tight and completely over the hose and bag.

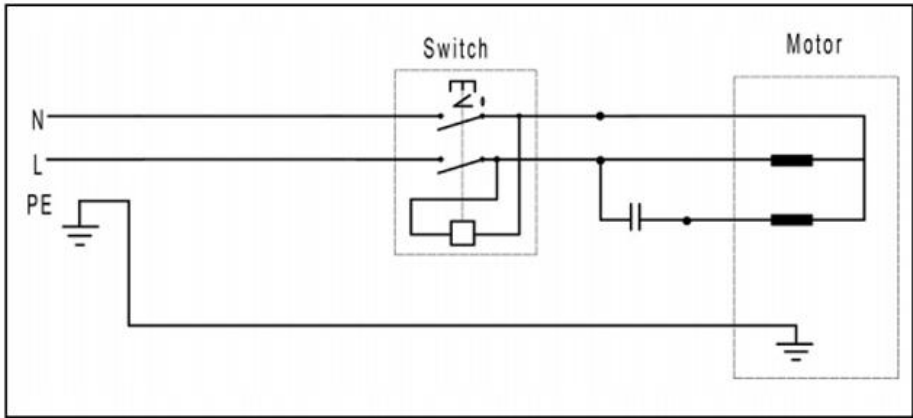
WIRING DIAGRAM



PARTS LIST

Part No	Description	Part No	Description
1	CASTER	21	LEFT-COLLECTOR
2	SCREW	22	COLLECTOR BAG
3	SCREW	23	COLLECTOR SUPPORT
4	BASE PLATE	24	RIGHT-COLLECTOR
5	SCREW	25	WASHER
6	INLET	26	UPPER BAG SUPPORT
7	SCREW	27	FILTER BAG
8	SCREW HEX	28	PACKING
9	WASHER	29	INLET
10	TURBO FAN	30	KEY
11	COLLECTOR	31	SWITCH
12	WASHER	33	WRENCH HEX
13	MOTOR BASE	34	CABLE
14	SCREW HEX	35	CAP
15	SCREW HEX	36	BAG CLAMP
16	BQLT	37	SWITCH BOX
17	MOTOR	38	HEAD SCREW
18	NUT	39	SCREW
19	CONNECTOR	44	WRENCH
20	SCREW		

CIRCUIT DIAGRAM



Warning-To reduce the risk of injury, user must read instructions manual carefully.



This product is subject to the provision of European Directive 2012/19/EC. The symbol showing a wheeled bin crossed through indicates that the product requires separate refuse collection in the European Union. This applies to the product and all accessories marked with this symbol. Products marked as such may not be discarded with normal domestic waste, but must be taken to a collection point for recycling electrical and electronic devices



VEVOR

Affordable. Reliable. Home Improvement.

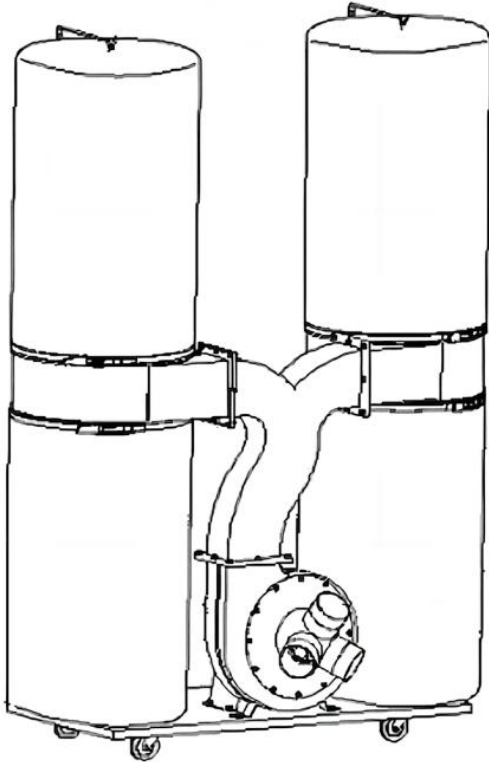
COLLECTEUR DE POUSSIÈRE

MODÈLE : DC20003

VEVOR

Affordable. Reliable. Home Improvement.

MODÈLE : DC20003



Please scan the QR code to watch the video code on how to install it.

Ceci est le mode d'emploi d'origine. Veuillez lire attentivement l'intégralité du manuel avant utilisation. VEVOR se réserve le droit d'interpréter clairement ce manuel d'utilisation. L'apparence du produit dépend du produit que vous avez reçu. Veuillez nous excuser pour les éventuelles mises à jour technologiques ou logicielles.

SAFETY RULES

1. Lisez et familiarisez-vous avec l'intégralité du manuel d'utilisation.
2. Maintenez les protections et le couvercle en place et en état de fonctionnement.
3. Utilisez toujours des lunettes de sécurité, ainsi qu'un masque facial ou anti-poussière en cas de coupe. Les opérations sont poussiéreuses. Les lunettes de sécurité courantes ne sont équipées que de verres résistants aux chocs ; ce ne sont pas des lunettes de sécurité.
4. Maintenir la zone de travail propre. Zones et établis encombrés inviter aux accidents.
5. Ne forcez pas avec l'outil. Il fonctionnera mieux et en toute sécurité à la vitesse pour laquelle il a été conçu.
6. Évitez tout démarrage accidentel. Assurez-vous que l'interrupteur est en position « arrêt » avant de brancher le cordon.
7. Ne vous penchez pas trop. Gardez toujours une bonne posture et un bon équilibre. Pour une meilleure stabilité, portez des chaussures à semelles en caoutchouc. Gardez le sol propre, exempt d'huile, de débris de bois, etc.
8. Portez des vêtements appropriés. Les vêtements amples ou les bijoux peuvent se coincer dans les pièces mobiles. Portez un couvre-chef pour protéger vos cheveux longs.
9. Sécurisez l'atelier pour les enfants. Placez un cadenas sur l'interrupteur lorsque la scie n'est pas utilisée et rangez la clé dans un endroit sûr.
10. Retirez les clés de réglage. Prenez l'habitude de vérifier que les clés de réglage sont retirées de l'outil avant de le mettre en marche.
11. Évitez les environnements dangereux . N'utilisez pas d'outils électriques dans des endroits humides ou mouillés. Maintenez votre zone de travail bien éclairée . Ne pas utiliser dans des atmosphères explosives (à

- proximité de peinture, de liquides inflammables, etc.)
12. Tenir les enfants à l'écart. Tous les visiteurs doivent être tenus à une distance de sécurité de la zone de travail, en particulier pendant l'utilisation de l'appareil.
 13. Utilisez l'outil approprié. Ne forcez pas l'outil ou l'accessoire à effectuer une tâche pour laquelle il n'a pas été conçu.
 14. Maintenez vos outils en parfait état. Gardez-les affûtés et propres pour un fonctionnement optimal et en toute sécurité. Suivez les instructions de lubrification et de changement des accessoires.
 15. Fixez la pièce. Utilisez des serre-joints ou un étau pour maintenir la pièce, lorsque cela est possible. C'est plus sûr qu'à la main et cela empêche les pièces rondes ou de forme irrégulière de tourner.
 16. Vérifiez les pièces endommagées. Avant toute nouvelle utilisation de l'outil, vérifiez tout carter de protection ou autre pièce endommagée afin de vous assurer qu'il fonctionne correctement et remplit sa fonction prévue. Vérifiez l'alignement des pièces mobiles, la rupture des pièces, le montage, toute autre condition pouvant affecter son fonctionnement. Un garde-corps ou une autre pièce endommagée doit être correctement réparé ou remplacé.
 17. Utilisez les accessoires recommandés ; consultez le manuel du propriétaire. L'utilisation d'accessoires inappropriés peut être dangereuse.
 18. Ne jamais monter sur l'outil. Une chute pourrait entraîner des blessures.
 19. Ne laissez jamais l'outil en marche sans surveillance.
 20. Retirez toujours la fiche du cordon d'alimentation de la prise électrique lorsque vous effectuez un réglage, un changement de pièces ou lorsque vous travaillez sur l'outil.

21. Retirez toujours la fiche du cordon d'alimentation de la prise électrique lorsque vous effectuez un réglage, un changement de pièces ou lorsque vous travaillez sur l'outil.

SPECIFIC SAFETY INSTRUCTIONS

Veuillez lire attentivement le manuel d'instructions avant d'utiliser le dépoussiéreur. Les précautions de base ci-dessous doivent être respectées lors de l'utilisation de votre dépoussiéreur afin de réduire les risques de blessure, de choc électrique ou d'incendie.

1. Ce dépoussiéreur est destiné uniquement à la collecte de poussières et de copeaux de bois provenant de machines à bois. Ne l'utilisez que pour la poussière de bois. Des matériaux tels que des liquides, des aérosols, des poussières métalliques, des vis, du verre, du plastique ou des pierres peuvent provoquer des étincelles au contact avec n'importe quelle partie du système de collecte.
2. Ne laissez jamais l'acier entrer en contact avec la turbine. Un impact avec un matériau dur peut provoquer des étincelles et un incendie. Soyez attentif à toute situation présentant un risque d'incendie.
3. La poussière générée lors de l'utilisation des machines peut provoquer des cancers, des anomalies congénitales ou des problèmes respiratoires à long terme. Soyez conscient des risques liés à la poussière associés à chaque matériau et portez toujours un respirateur homologué NIOSH.
4. Ne placez pas vos mains, du bois ou des outils à proximité de l'orifice d'admission lorsque l'appareil est branché ou en fonctionnement. Tenez les animaux et les enfants éloignés des orifices d'admission de poussière ouverts.
5. Vérifiez et videz régulièrement le sac de collecte afin d'éviter l'accumulation de poussières fines, qui peuvent augmenter le risque d'incendie. Nettoyez régulièrement les abords de la machine. Une

accumulation excessive de poussière sur des sources de chaleur telles que les plafonniers et les panneaux électriques augmente le risque d'incendie.

6. Portez toujours un masque respiratoire et des lunettes de sécurité lorsque vous retirez, videz ou remplacez le sac de collecte. Videz la poussière loin des sources d'inflammation et dans un récipient approprié.
7. Connectez toujours le dépoussiéreur à la source d'alimentation adaptée.

IMPORTANT : Considérez toujours la sécurité en premier lorsqu'elle s'applique à votre individu fonctionnement conditions , les environnement dans chaque le magasin est différent.

CONSERVEZ TOUS LES AVERTISSEMENTS ET INSTRUCTIONS POUR L'AVENIR RÉFÉRENCE .

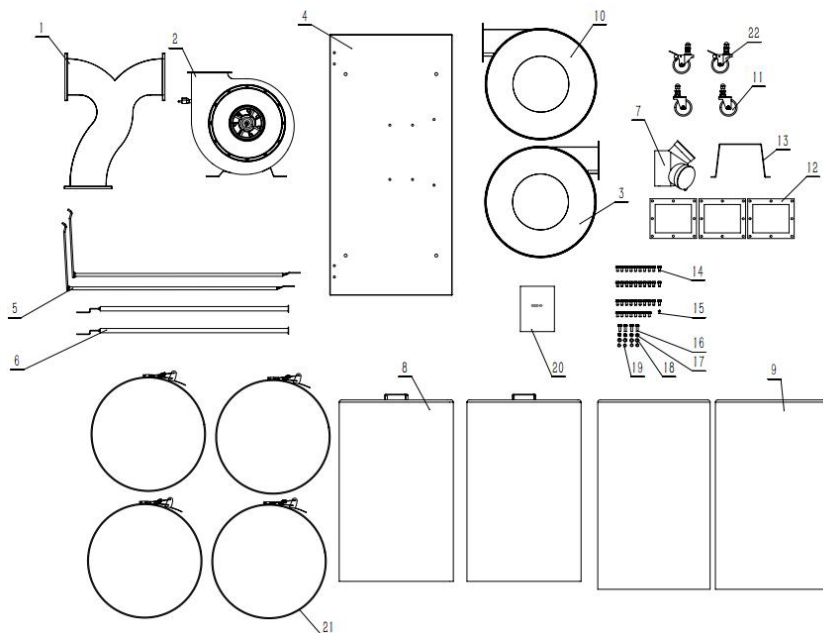
TECHNICAL DATA

Puissance du moteur	3 CV/2200 W
Diamètre d'entrée	4 po/100 mm x 3
Diamètre du ventilateur	12 po/305 mm
Capacité du sac (mètre cube)	42*2 Gal
Capacité de collecte (mètre cube/heure)	1550CFM (2600 m3/h)
Connecteur de tuyau :	100 mm
Dimensions hors tout (L x l x H)	1440 x 730 x 2000 mm
Dimensions de l'emballage (L x l x H)	1220 x 620 x 635 mm

ASSEMBLY

Déballage et vérification du contenu

Vérifiez l'absence de dommages dus au transport. Vérifiez immédiatement que toutes les pièces et les accessoires sont inclus. Si quelque chose est manquant ou cassé, contactez votre revendeur .



Non.	Description	Qté	Non.	Description	Qté
1	Connecteur	1	12	Emballage	3
2	Corps de collecteur et ensemble ventilateur/moteur	1	13	Base moteur	1
3	Collecteur gauche	1	14	Boulon à tête hexagonale/M8×1 6	3 8
4	Plaque de base	1	15	Vis/M5×10	1
5	Support de sac supérieur	2	16	Boulon à tête hexagonale / M8 × 25	4
6	Soutien	2	17	Écrou/M8	4
7	Entrée	1	18	rondelle plate/8	4
8	Filtre à poussière à sac	3	19	Rondelle élastique/8	4

9	Sac à poussière	4	20	Instructions	1
10	Collecteur droit	2	21	Pince à sac	4
11	Roue	2	22	Roues de frein	2

1 Connexion électrique

- Le moteur fonctionne sur l'afficheur. Le cordon doit avoir une section d'au moins 1,0 mm. En cas de dysfonctionnement, débranchez immédiatement la fiche de la prise secteur. Vérifiez ensuite l'appareil et corrigez les défauts éventuels.

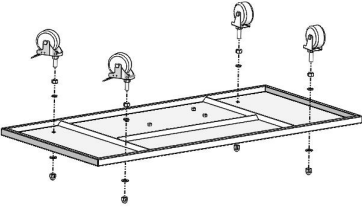
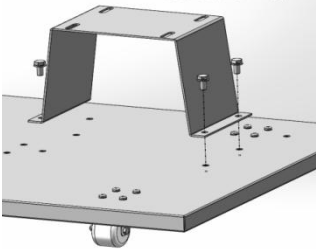
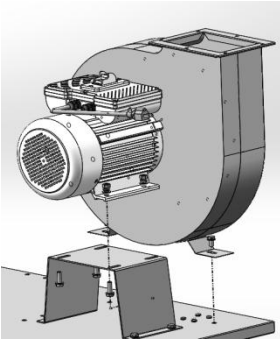
2 Généralités

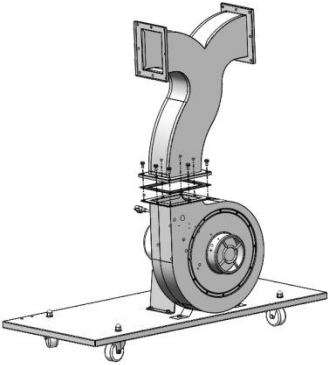
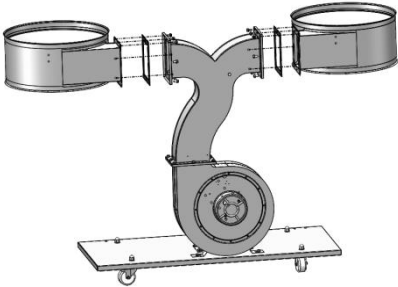
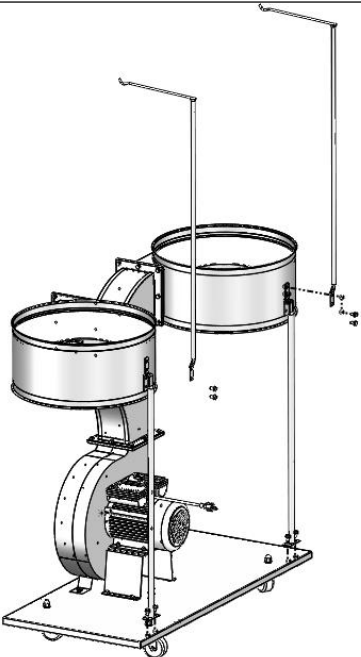
- Ne pas aspirer de morceaux de métal, de gros blocs de bois ou de morceaux de tasseaux dans le collecteur.
- Utilisez uniquement des accessoires conçus pour le DC20001 .

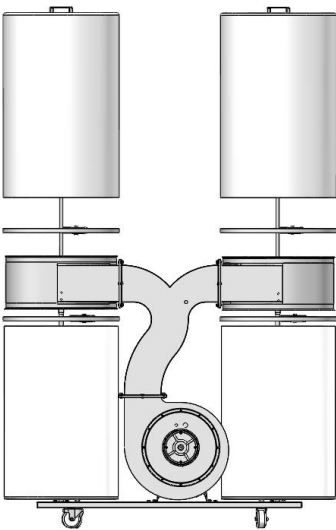
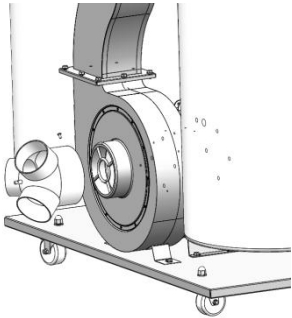
3 Nettoyage

- Le dépoussiéreur doit être nettoyé à chaque changement du sac de collecte.
- Les filtres et sacs endommagés doivent être remplacés immédiatement afin de minimiser la dispersion de poussière dans la zone de travail.

4 Assemblage

1	<p>Pour assembler, placez d'abord la plaque de base à l'envers et fixez les quatre roulettes (11,22#) dans les trous prévus et serrer avec une clé.</p>	
2	<p>Fixez la base du moteur (1 3 #) sur la plaque de base (4 #) avec 4 boulons à tête hexagonale/M8 x 1 6 (1 4 #)</p>	
3	<p>Fixez le corps du collecteur et l'ensemble ventilateur/moteur (2 #) avec 4 boulons à tête hexagonale / M8 x 25 et 4 rondelles plates/8 (16 #) + 4 rondelles plates/8 (18 #), 4 rondelles élastiques /8 (19 #) et 4 écrous M8 (17 #) sur la base du moteur (1 3 #) Fixez le corps du collecteur et l'ensemble ventilateur/moteur (2 #) à la plaque de base (4 #) avec un boulon à tête hexagonale/M8 x 1 6 (1 4 #)</p>	

<p>4</p>	<p>Installez la garniture (1 2 #) et le connecteur (1 #) sur le corps du collecteur assemblage (2 #) à l'aide de 8 boulons à tête hexagonale/M8×1 6 (1 4 #) .</p>	
<p>5</p>	<p>Installez le collecteur gauche (3 #) , le collecteur droit (1 0 #) et deux garnitures (1 2 #) à la sortie du corps du collecteur assemblage (2 #) en utilisant 16 boulons à tête hexagonale/M8×1 6 (1 4 #) .</p>	
<p>6</p>	<p>Fixez le support (6 #) à la plaque de base (4 #) avec 4 Boulon à tête hexagonale/M8×1 6 (1 4 #) Fixation du support (6 #) et du support du sac supérieur (5 #) sur le collecteur (3 #, 10 #) avec 4 Tête hexagonale boulon/M8×1 6 (1 4 #)</p>	

7	<p>Attacher La pince de sac (2 1 #) fixe le filtre à poussière du sac (8 #) et le sac à poussière (9 #) sur le Collectionneur (3 # , 10 #)</p>	
8	<p>Utiliser la vis (15 #) pour fixer l' entrée (7 #)</p>	

Le dépoussiéreur est maintenant prêt à être mis en service. Avant se connecter à une source d'alimentation, assurez-vous que la source d'alimentation est correctement mise à la terre et est de tension et ampérage appropriés.

5 TEST:

Avant de démarrer le dépoussiéreur, assurez-vous que avoir lire et compris le manuel et toi sont familier avec le fonctions et dispositifs de sécurité de la machine . Ne pas faire donc peut causer des blessures corporelles graves.

Effectuez un test pour vous assurer que le dépoussiéreur fonctionne correctement.

- Assurez-vous que tous les outils sont retirés du travail zone et le les supports de montage mural sont sécurisés.
- Prise le pouvoir corde dans le correct réceptacle . (Référez (Voir le paragraphe Power Source dans cette section du manuel.)
- Tourner le poussière collectionneur SUR . (Référez-vous à Marche / Arrêt Changer de paragraphe dans la section **Opération** du manuel.)
- Si vous remarquez un bruit inhabituel ou des vibrations excessives, éteignez l'appareil. Arrêtez immédiatement l'appareil et débranchez le cordon d'alimentation. Vérifiez à nouveau toutes les pièces assemblées et recherchez le problème.

Si tout fonctionne correctement, le dépoussiéreur est prêt à être utilisé.

6 SOURCE D'ALIMENTATION :

Faire pas connecter poussière collectionneur à le pouvoir source jusqu'à tout l'assemblage mesures avoir a été complété .

Le moteur est conçu pour opération sur le tension et fréquence. spécifiée. Les charges normales seront traitées en toute sécurité sur des tensions ne dépassant pas 10 % au-dessus ou en dessous de la tension spécifiée. Faire fonctionner l'unité sur des tensions qui sont pas dans le gamme peut causer surchauffe et moteur épuisement professionnel . Lourd charges exiger que le tension à moteur terminaux être Non moins que le tension spécifiée sur la plaque signalétique.

7 INSTRUCTIONS DE MISE À LA TERRE :

Une mauvaise connexion du conducteur de mise à la terre de l'équipement peut entraîner un risque de choc électrique. L'équipement doit être mis à la terre pendant l'utilisation pour protéger l'opérateur contre les chocs électriques

- Consultez un électricien qualifié si vous ne comprenez pas la mise à la terre instructions ou si toi sont dans doute comme à si l'outil est correctement fondé .
- Ce outil est équipé avec un approuvé corde et une prise de terre à 3 broches pour votre protection contre choc dangers .
- La fiche de mise à la terre doit être branchée directement sur une prise

correctement prise de courant à 3 broches installée et mise à la terre .

- Faire ne pas retirer ni modifier la mise à la terre dent dans n'importe lequel manière. Dans l' événement de un mauvais fonctionnement ou panne , mise à la terre fournit un chemin de moins résistance pour électrique choc .

Ne laissez pas vos doigts toucher les bornes de la fiche lors de l'

installation ou du retrait de la prise.

- La fiche doit être branchée dans une prise correspondante correctement installée et mise à la terre conformément à tous les codes et ordonnances locaux. Ne modifiez pas la fiche fournie. Si elle ne rentre pas dans la prise, faites installer une prise appropriée par un électricien qualifié.
- Inspecter outil cordes périodiquement , et si endommagé , avoir réparé par un centre de service agréé.
- Le conducteur vert (ou vert et jaune) du cordon est le fil de terre. Si une réparation ou un remplacement du cordon ou de la fiche électrique est nécessaire, ne connectez pas le fil vert (ou vert et jaune) à une borne sous tension.

8 RALLONGES :

- L'utilisation d'une rallonge n'est pas recommandée. L'utilisation de tout une rallonge électrique entraînera une baisse de tension et une perte de puissance .
- Les fils de la rallonge doivent être de taille suffisante pour supporter le actuel et maintenir adéquat tension .
- Longueur de la rallonge vers le haut jusqu'à 50 pi . Taille du fil jusqu'à 14 AWG ou 1,5 mm² .
- Utiliser seulement 3 fils extension cordes ayant 3 broches mise à la terre taper bouchons et 3 pôles récipients lequel accepter le outil prise .
- Si le extension corde est porté , couper ou endommagé dans

n'importe lequel chemin , Remplacer il immédiatement .

OPERATION

1. Raccordez le dépoussiéreur à votre machine à bois à l'aide d'un tuyau de 10 cm (4 pouces) (non fourni). Des adaptateurs peuvent être nécessaires selon la taille de l'orifice d'aspiration de votre machine.
2. Au démarrage du dépoussiéreur, l'ampérage peut atteindre 80 ampères pendant un court instant, ce qui peut provoquer un déclenchement du circuit électrique. Assurez-vous que les deux orifices d'admission sont obturés avant de démarrer le dépoussiéreur. La consommation d'énergie sera minimale en l'absence de flux d'air.
3. Assurez-vous que l'interrupteur du dépoussiéreur est en position OFF, puis branchez la fiche d'alimentation dans une prise adaptée. Ensuite, allumez le dépoussiéreur et commencez à utiliser votre machine à bois.
4. REMPLACEMENT DU SAC DE COLLECTE . Videz régulièrement le sac de collecte. Cela permettra au dépoussiéreur de fonctionner au maximum de ses performances.
 - Débranchez le dépoussiéreur de la prise secteur. Portez un masque respiratoire ou un masque anti-poussière et des lunettes de sécurité.
 - Relâchez la pince de ceinture qui fixe le sac de collecte, puis retirez le sac du collecteur.
 - Fermez soigneusement le haut du sac et jetez-le en toute sécurité conformément aux normes locales et fédérales.
 - Installer un nouveau sac de collecte.

MAINTENANCE

ENTRETIEN GÉNÉRAL

Assurez-vous que la machine est éteinte et que le cordon est déconnecté de la source d'alimentation avant l'entretien et le retrait/remplacement de tout composant de la machine.

- Vérifiez quotidiennement le dépoussiéreur pour déceler les boulons de montage desserrés, les vis, les fils endommagés, l'interrupteur usé, le sac de collecte plein et toute autre condition dangereuse.

- La vis de la turbine peut se desserrer à l'usage. Vérifiez la turbine une fois par mois pour vous assurer que les vis sont bien serrées et fixent la turbine sur l'arbre.
- Vérification : assurez-vous que la machine est éteinte et que le cordon d'alimentation est débranché. Accédez aux vis de la turbine par le couvercle d'entrée de la machine et serrez-les pour fixer la turbine sur l'arbre.

NETTOYAGE

Vérifiez et videz régulièrement le sac de collecte de votre dépoussiéreur. L'efficacité de la machine est bien supérieure lorsque le sac est vide.

STOCKAGE DE MACHINES

- Lorsque le dépoussiéreur n'est pas utilisé, débranchez le cordon de la source d'alimentation et rangez la machine dans un endroit sec.
- N'exposez pas la machine à la pluie.
- Assurez-vous que le cordon est tenu à l'écart des sources potentielles de dommages telles que les objets tranchants, les produits chimiques, les sources de chaleur et l'eau.

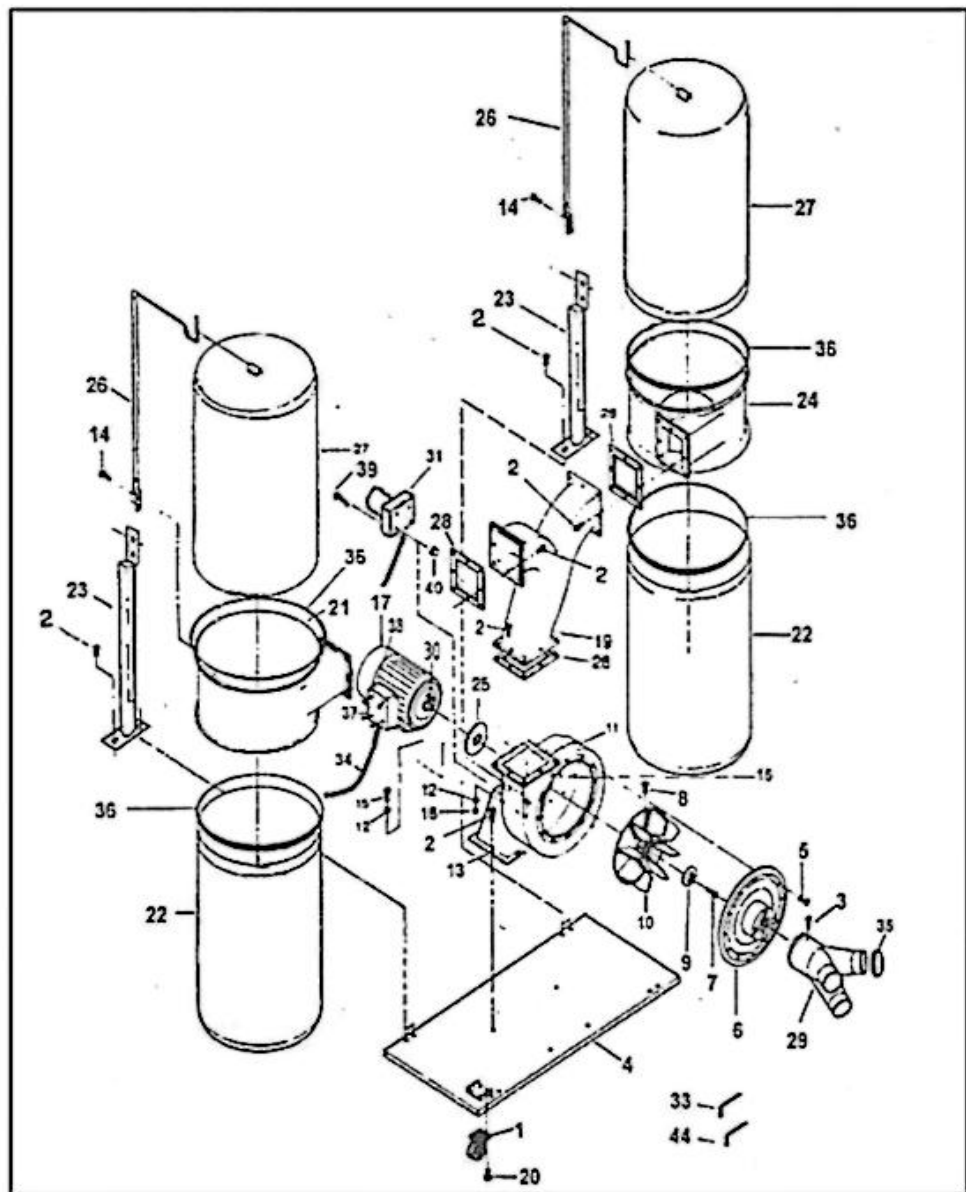
RÉPARATION D'OUTILS

- Si le cordon d'alimentation est usé, coupé ou endommagé de quelque façon que ce soit, faites-le réparer. Remplacé immédiatement.
- Remplacez les abrasifs usés lorsque nécessaire.
- Remplacez toute pièce endommagée ou manquante. Consultez la liste des pièces pour commander des pièces. Toute tentative de réparation du moteur peut créer un danger. à moins que la réparation ne soit effectuée par un technicien de service qualifié.

TROUBLESHOOTING

SYMPTÔME	CAUSE(S) POSSIBLE(S)	MESURES CORRECTIVES
Moteur volonté pas commencer	<ol style="list-style-type: none"> 1. Basse tension 2. Circuit ouvert dans moteur ou lâche relations 3. Défectueux changer 4. Défectueux condensateur 5. Interrupteur clé est supprimé 	<ol style="list-style-type: none"> 1. 1. Vérifiez que la tension de la ligne électrique est correcte 2. Inspectez toutes les connexions des fils du moteur pour détecter toute connexion desserrée ou ouverte. 3. Remplacer l'interrupteur 4. Remplacer le condensateur 5. Insérez la clé de l'interrupteur
Le moteur ne démarre pas ; les fusibles sont grillés ou les disjoncteurs sont déclenchés	<ol style="list-style-type: none"> 1. Court-circuiter le cordon d'alimentation ou la fiche 2. Court-circuit dans le moteur ou connexions desserrées 3. Fusibles ou disjoncteurs incorrects dans la ligne électrique 	<ol style="list-style-type: none"> 1. Inspectez le cordon d'alimentation ou la prise pour détecter toute isolation endommagée et tout fil court-circuité. 2. Inspectez toutes les connexions des fils du moteur pour détecter les bornes desserrées ou en court-circuit ou l'usure de l'isolation des fils. 3. Installez les fusibles ou les disjoncteurs appropriés
L'unité présente des vibrations ou un fonctionnement bruyant	<ol style="list-style-type: none"> 1. Le moteur ou les composants sont desserrés 2. Le support du moteur est desserré/cassé 3. L'unité est mal fixée au mur 4. Le ventilateur du moteur frotte le couvercle 5. Roulements du moteur défectueux 	<ol style="list-style-type: none"> 1. Inspectez/remplacez tous les boulons/écrous dénudés ou endommagés et resserrez-les. 2. Serrer/remplacer 3. Serrez/remplacez le matériel de montage 4. Remettez le couvercle du ventilateur en place ; remplacez le ventilateur desserré/endommagé .
Fort, répétitif bruit ou excès vibrations provenant du dépoussiéreur	<ol style="list-style-type: none"> 1. Le sac collecteur de poussière est plein 2. Tuyau du dépoussiéreur restreint 3. Le bois est humide et la poussière ne circule pas correctement dans le tuyau 4. Il y a une fuite dans le tuyau 	<ol style="list-style-type: none"> 1. Vider le sac de collecte. 2. Retirez le tuyau de l'entrée du dépoussiéreur et débouchez le Restriction dans le tuyau. Un furet de plomberie peut être nécessaire. 3. Traiter le bois avec une teneur en humidité inférieure à 20 %. 4. Inspectez et remplacez le tuyau.
Sciure de bois soufflée dans l'air par le dépoussiéreur	Les colliers de serrage ou le sac collecteur de poussière ne sont pas correctement serrés et fixés.	Vérifiez le tuyau et le sac de collecte de poussière, assurez-vous que les colliers de serrage du tuyau et du sac sont bien serrés et complètement sur le tuyau et le sac.

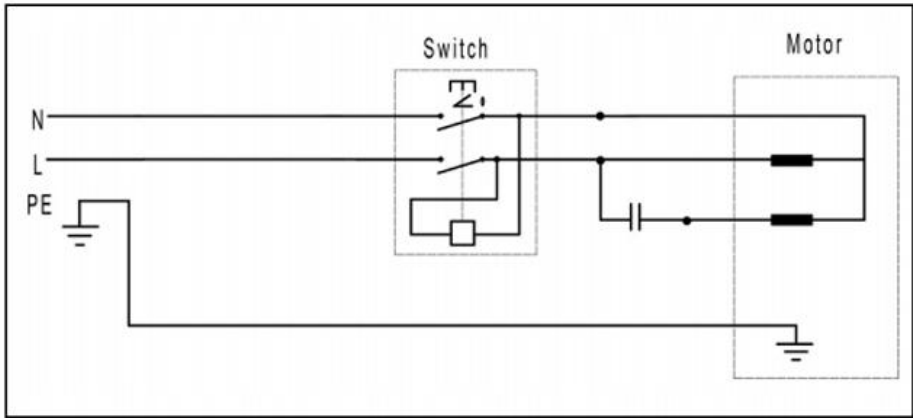
WIRING DIAGRAM



LISTE DES PIÈCES

Numéro de pièce	Description	Numéro de pièce	Description
1	ROULETTE	21	COLLECTEUR GAUCHE
2	VIS	22	SAC DE COLLECTION
3	VIS	23	SOUTIEN AUX COLLECTIONNEURS
4	PLAQUE DE BASE	24	COLLECTEUR DE DROITS
5	VIS	25	RONDELLE
6	ENTRÉE	26	SUPPORT DE SAC SUPÉRIEUR
7	VIS	27	SAC FILTRANT
8	VIS HEXAGONALE	28	EMBALLAGE
9	RONDELLE	29	ENTRÉE
10	TURBO VENTILATEUR	30	CLÉ
11	COLLECTIONNEUR	31	CHANGER
12	RONDELLE	33	CLÉ HEXAGONALE
13	BASE MOTEUR	34	CÂBLE
14	VIS HEXAGONALE	35	CAPUCHON
15	VIS HEXAGONALE	36	PINCE À SAC
16	BQLT	37	BOÎTE DE COMMUTATION
17	MOTEUR	38	VIS À TÊTE
18	NOIX	39	VIS
19	CONNECTEUR	44	CLÉ
20	VIS		

CIRCUIT DIAGRAM



Avertissement - Pour réduire le risque de blessure, l'utilisateur doit lire attentivement le manuel d'instructions.



Ce produit est soumis aux dispositions de la directive européenne 2012/19/CE. Le symbole représentant une poubelle barrée indique que le produit doit faire l'objet d'une collecte sélective dans l'Union européenne. Ceci s'applique au produit et à tous les accessoires marqués de ce symbole. Les produits ainsi marqués ne doivent pas être jetés avec les ordures ménagères, mais doivent être déposés dans un point de collecte pour le recyclage des appareils électriques et électroniques.



VEVOR

Affordable. Reliable. Home Improvement.

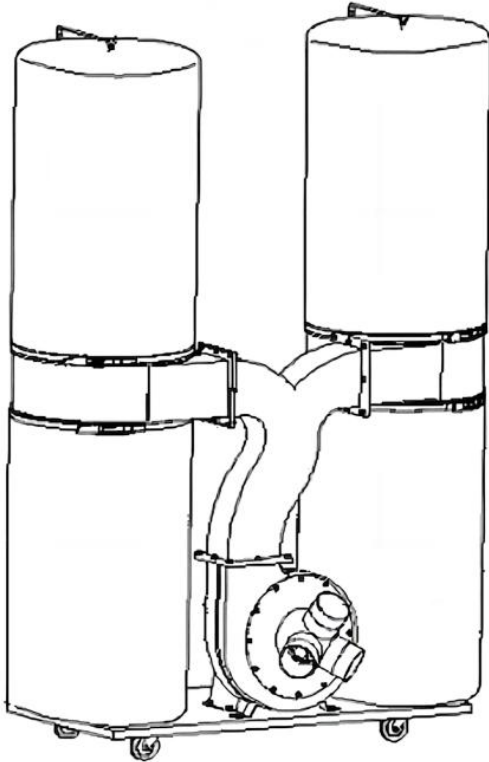
STAUBSAMMLER

MODELL: DC20003

VEVOR

Affordable. Reliable. Home Improvement.

MODELL: DC20003



Please scan the QR code to watch the video code on how to install it.

Dies ist die Originalanleitung. Bitte lesen Sie alle Anweisungen sorgfältig durch, bevor Sie das Gerät in Betrieb nehmen. VEVOR behält sich eine klare Auslegung unserer Bedienungsanleitung vor. Das Aussehen des Produkts hängt vom gelieferten Produkt ab. Bitte haben Sie Verständnis dafür, dass wir Sie nicht erneut über Technologie- oder Software-Updates informieren.

SAFETY RULES

1. Lesen Sie die gesamte Bedienungsanleitung und machen Sie sich mit ihr vertraut.
2. Sorgen Sie dafür, dass Schutzvorrichtungen und Abdeckungen an ihrem Platz und in funktionsfähigem Zustand bleiben.
3. Tragen Sie immer eine Schutzbrille und beim Schneiden auch eine Gesichts- oder Staubmaske. Der Betrieb ist staubig. Alltagsbrillen haben nur schlagfeste Gläser, sie sind keine Schutzbrillen.
4. Halten Sie den Arbeitsbereich sauber. Unordentliche Bereiche und Bänke Unfälle einladen.
5. Wenden Sie keine Gewalt an. Bei der Geschwindigkeit, für die das Werkzeug ausgelegt ist, erzielen Sie bessere und sicherere Ergebnisse.
6. Vermeiden Sie ein versehentliches Starten. Stellen Sie sicher, dass der Schalter in der Position „Aus“ steht, bevor Sie das Kabel einstecken.
7. Überstrecken Sie sich nicht. Achten Sie stets auf sicheren Stand und Gleichgewicht. Tragen Sie Schuhe mit Gummisohlen. Halten Sie den Boden frei von Öl, Holzabfällen usw.
8. Tragen Sie geeignete Kleidung. Lose Kleidung oder Schmuck können sich in beweglichen Teilen verfangen. Tragen Sie bei langen Haaren einen Haarschutz.
9. Machen Sie die Werkstatt kindersicher. Bringen Sie ein Vorhängeschloss am Schalter an, wenn die Säge nicht verwendet wird, und bewahren Sie den Schlüssel an einem sicheren Ort auf.
10. Entfernen Sie Einstellschlüssel und -schraubenschlüssel. Machen Sie es sich zur Gewohnheit, vor dem Einschalten des Werkzeugs zu prüfen, ob Schlüssel und Einstellschlüssel entfernt wurden.
11. Vermeiden Sie gefährliche Umgebungen. Verwenden Sie Elektrowerkzeuge nicht in feuchten oder nassen Umgebungen. Sorgen

Sie für gute Beleuchtung Ihres Arbeitsbereichs . Nicht in explosionsgefährdeten Bereichen (in der Nähe von Farbe, brennbaren Flüssigkeiten usw.) verwenden .

12. Halten Sie Kinder fern. Alle Besucher sollten einen sicheren Abstand zum Arbeitsbereich einhalten , insbesondere während der Bedienung des Geräts.
13. Verwenden Sie das richtige Werkzeug. Überfordern Sie das Werkzeug oder den Aufsatz nicht für Arbeiten, für die es nicht vorgesehen ist.
14. Halten Sie Ihre Werkzeuge in einwandfreiem Zustand. Halten Sie sie scharf und sauber, um optimale Leistung und Sicherheit zu gewährleisten. Beachten Sie die Anweisungen zum Schmieren und Wechseln von Zubehör.
15. Sichern Sie Ihr Werkstück. Verwenden Sie, wenn möglich, Klemmen oder einen Schraubstock, um Ihr Werkstück zu fixieren. Das ist sicherer als die Verwendung Ihrer Hand und verhindert, dass sich runde oder unregelmäßig geformte Teile drehen.
16. Überprüfen Sie beschädigte Teile. Vor der weiteren Verwendung des Werkzeugs sollte eine Schutzvorrichtung oder ein anderes beschädigtes Teil überprüft werden, um sicherzustellen , dass es ordnungsgemäß funktioniert und seine beabsichtigte Funktion erfüllt . Überprüfen Sie die Ausrichtung beweglicher Teile, Bruchteile, Montage und alle anderen Bedingungen, die den Betrieb beeinträchtigen könnten . Ein beschädigter Schutz oder ein anderes Teil sollte ordnungsgemäß repariert oder ersetzt werden.
17. Verwenden Sie empfohlenes Zubehör. Beachten Sie die Bedienungsanleitung. Die Verwendung ungeeigneten Zubehörs kann gefährlich sein.
18. Stellen Sie sich niemals auf das Werkzeug. Bei einem Sturz besteht Verletzungsgefahr .

19. Lassen Sie das Werkzeug niemals unbeaufsichtigt laufen.
20. Ziehen Sie beim Einstellen, Auswechseln von Teilen oder Arbeiten am Werkzeug immer den Netzstecker aus der Steckdose.
21. Ziehen Sie beim Einstellen, Auswechseln von Teilen oder Arbeiten am Werkzeug immer den Netzstecker aus der Steckdose.

SPECIFIC SAFETY INSTRUCTIONS

Lesen Sie die Bedienungsanleitung sorgfältig durch, bevor Sie den Staubsammler in Betrieb nehmen. Beachten Sie beim Einsatz Ihres Staubsammlers stets die unten aufgeführten grundlegenden Vorsichtsmaßnahmen, um das Risiko von Verletzungen, Stromschlägen und Bränden zu verringern.

1. Dieser Staubsammler ist ausschließlich zum Aufsaugen von Holzstaub und Spänen von Holzbearbeitungsmaschinen bestimmt. Verwenden Sie den Staubsammler ausschließlich für Holzstaub. Materialien wie Flüssigkeiten, Aerosole, Metallstaub, Schrauben, Glas, Kunststoff oder Steine können bei Kontakt Funken verursachen. mit irgendeinem Teil des Sammelsystems.
2. Vermeiden Sie den Kontakt von Stahl mit dem Laufrad. Beim Aufprall auf harte Materialien können Funken entstehen, die einen Brand verursachen können. Achten Sie auf Situationen, in denen Brandgefahr besteht.
3. Beim Arbeiten mit Maschinen entstehender Staub kann Krebs, Geburtsfehler oder langfristige Atemwegsschäden verursachen. Beachten Sie die Staubgefahren, die mit den einzelnen Werkstückmaterialien verbunden sind, und tragen Sie immer eine NIOSH-zugelassene Atemschutzmaske.
4. Halten Sie Ihre Hände, Holz oder Werkzeuge von der Einlassöffnung fern, während die Maschine angeschlossen ist oder in Betrieb ist. Halten Sie Tiere und Kinder von offenen Staubsammelöffnungen

fern.

5. Kontrollieren und leeren Sie den Auffangbeutel regelmäßig, um die Ansammlung von Feinstaub zu vermeiden, der die Brandgefahr erhöhen kann. Reinigen Sie regelmäßig die Umgebung der Maschine. Übermäßige Staubansammlung auf Wärmequellen wie Deckenleuchten und Schalttafeln erhöht die Brandgefahr.
6. Tragen Sie beim Entfernen, Entleeren oder Ersetzen des Auffangbeutels immer eine Atemschutzmaske und eine Schutzbrille. Entleeren Sie den Staub von Zündquellen entfernt und in einen geeigneten Behälter.
7. Schließen Sie den Staubsammler immer an die passende Stromquelle an.

WICHTIG : Denken Sie immer zuerst an die Sicherheit, da sie für Ihre Person gilt Arbeiten Bedingungen , die Umfeld In jeder Shop ist anders.

BEWAHREN SIE ALLE WARNHINWEISE UND ANWEISUNGEN AUF FÜR DIE ZUKUNFT REFERENZ .

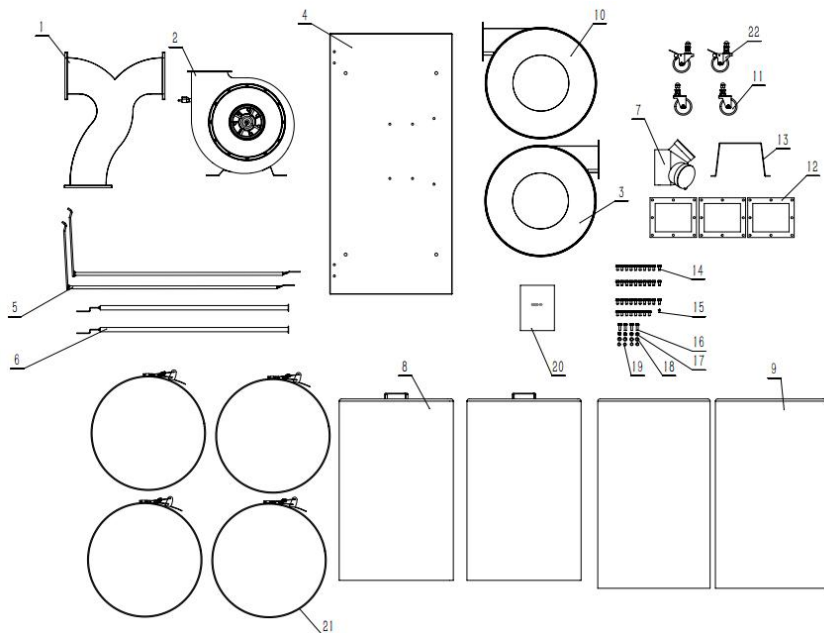
TECHNICAL DATA

Motorleistung	3 PS/2200 W
Einlassdurchmesser	4 Zoll/100 mm x 3
Lüfterdurchmesser	12 Zoll/305 mm
Beutelkapazität (Kubikmeter)	42*2 Gal
Sammelkapazität (Kubikmeter/h)	1550 CFM (2600 m3/h)
Schlauchanschluss:	100 mm
Gesamtgröße (L x B x H)	1440 x 730 x 2000 mm
Verpackungsgröße (L x B x H)	1220 x 620 x 635 mm

ASSEMBLY

Auspacken und Inhalt prüfen

Auf Transportschäden prüfen. Sofort prüfen, ob alle Teile und Zubehör sind im Lieferumfang enthalten. Wenn etwas fehlt oder defekt ist, wenden Sie sich an Ihren Händler .



NEIN	Beschreibung	Menge	NEIN	Beschreibung	Menge
1	Anschluss	1	12	Verpackung	3
2	Kollektorkörper und Lüfter-/Motorbaugruppe	1	13	Motorbasis	1
3	Linker Sammler	1	14	Sechskantschraube/M8 x16	38
4	Grundplatte	1	15	Schraube/M5x10	1
5	Obere Taschenstütze	2	16	Sechskantschraube /M8x25	4
6	Support	2	17	Mutter/M8	4
7	Einlass	1	18	Unterlegscheibe/8	4
8	Beutelstaubfilter	3	19	Federscheibe/8	4

9	Staubbeutel	4	20	Anweisungen	1
10	Rechter Sammler	2	21	Beutelklemme	4
11	Rad	2	22	Bremsräder	2

1 Elektrischer Anschluss

einen Querschnitt von mindestens 1,0 mm haben. Bei Störungen sofort den Stecker aus der Steckdose ziehen. Anschließend die Maschine prüfen und eventuelle Störungen beheben.

2 Allgemeines

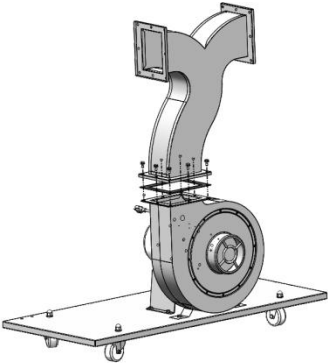
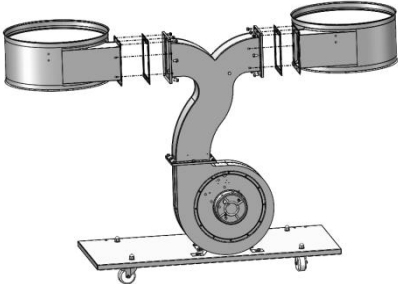
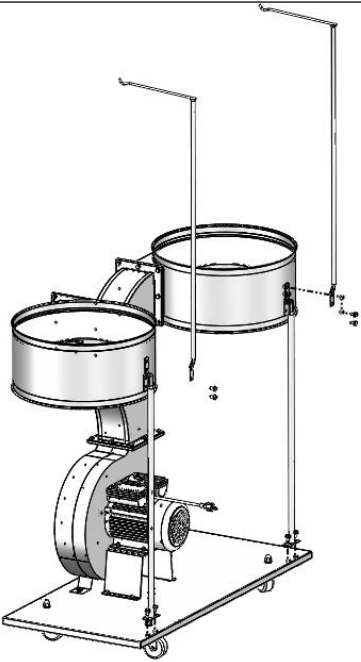
- Saugen Sie keine Metallstücke, große Holzklötze oder Lattenstücke in den Auffangbehälter.
- Verwenden Sie nur Zubehör, das für den DC20001 vorgesehen ist .

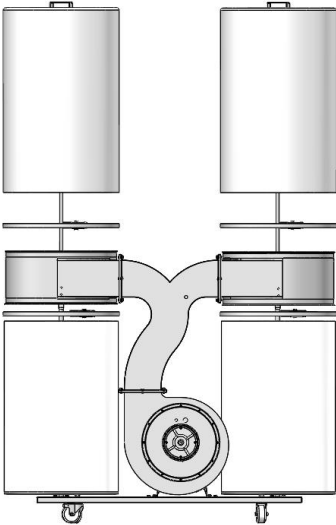
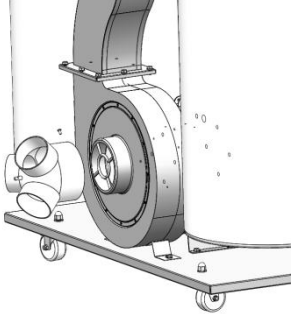
3 Reinigung

- Der Staubsammler sollte bei jedem Wechsel des Auffangbeutels gereinigt werden.
- Beschädigte Filter und Beutel müssen umgehend ausgetauscht werden, um die Staubverbreitung im Arbeitsbereich zu minimieren.

4 Montage

1	<p>Zum Zusammenbau legen Sie zunächst die Grundplatte um und befestigen die vier Rollen (11,22#) in die vorgesehenen Löcher stecken und mit einem Schraubenschlüssel festziehen.</p>	
2	<p>Befestigen Sie die Motorbasis (1 3 #) über der Grundplatte (4 #) mit 4 Sechskantschrauben/M8×1 6 (1 4 #)</p>	
3	<p>Befestigen Sie den Kollektorkörper und die Lüfter-/Motorbaugruppe (2 #) mit 4 Sechskantschrauben /M8×25 und 4 Unterlegscheiben/8 (16 #) + 4 Unterlegscheiben/8 (18 #), 4 Federscheiben /8 (19 #) und 4 Muttern M8 (17 #) an der Motorbasis (1 3 #) Befestigen Sie den Kollektorkörper und die Lüfter-/Motorbaugruppe (2 #) mit einer Sechskantschraube/M8×1 6 (1 4 #) an der Grundplatte (4 #).</p>	

4	<p>Installieren Sie die Dichtung (1 2 #) und den Stecker (1 #) am Kollektorkörper Baugruppe (2 #) mit 8 Sechskantschrauben/M8×1 6 (1 4 #).</p>	
5	<p>Sie den linken Kollektor (3 #), den rechten Kollektor (1 0 #) und zwei Packungen (1 2 #) am Auslass des Kollektorkörpers Montage (2 #) mit 16 Sechskantschrauben/M8×1 6 (1 4 #).</p>	
6	<p>Befestigen Sie die Halterung (6 #) mit 4 Schrauben an der Grundplatte (4 #). Sechskantschraube/M8×1 6 (1 4 #) Befestigen Sie die Halterung (6 #) und die obere Beutelhalterung (5 #) am Sammler (3 #, 10 #) mit 4 Sechskantkopf Schraube/M8×1 6 (1 4 #)</p>	

7	<p>Befestigen Beutelklammer (2 1 #) befestigen Sie den Beutelstaubfilter (8 #) und den Staubbeutel (9 #) auf dem Sammler (3 # ,10#)</p>	
8	<p>Verwenden Sie die Schraube (15 #) zur Befestigung des Einlasses (7 #)</p>	

Der Staubsammler ist nun betriebsbereit. Vor Verbindung zu eine Stromquelle, stellen Sie sicher, dass die Stromquelle ordnungsgemäß geerdet ist und richtige Spannung und Stromstärke.

5 PRÜFEN:

Bevor Sie den Staubsammler starten, stellen Sie sicher, dass Sie haben lesen und verstanden Die Handbuch Und Du Sind vertraut mit Die Funktionen und Sicherheitseinrichtungen der Maschine . Versäumnis, Also Mai schwere Verletzungen verursachen .

Führen Sie einen Test durch, um sicherzustellen, dass der Staubsammler ordnungsgemäß funktioniert.

- Stellen Sie sicher, dass alle Werkzeuge vom Arbeitsplatz entfernt sind

Bereich und die Wandmontagehalterungen sicher sind.

- Stecker Die Leistung Kabel hinein Die richtig Behälter . (Verweisen (Siehe Abschnitt „Stromquelle “ in diesem Abschnitt des Handbuchs.)
- Drehen Die Staub Kollektor EIN . (Siehe Zu Ein / Aus Absatz wechseln im Abschnitt „**Betrieb**“ des Handbuch.)
- Wenn ungewöhnliche Geräusche oder übermäßige Vibrationen auftreten, schalten Sie Schalten Sie die Maschine sofort aus und trennen Sie das Kabel von der Stromquelle. Überprüfen Sie alle montierten Teile noch einmal und suchen Sie nach dem Problem. Wenn alles ordnungsgemäß funktioniert, ist der Staubsammler einsatzbereit .

6 STROMQUELLE:

Tun nicht verbinden Staub Kollektor Zu Die Leistung Quelle bis alle Montage Schritte haben gewesen vollendet .

Der Motor Ist entworfen für Betrieb An Die Stromspannung Und Frequenz. angegeben. Normale Lasten werden sicher bei Spannungen gehandhabt, die nicht mehr als 10 % über oder unter der angegebenen Spannung liegen.

Der Betrieb des Geräts mit Spannungen , die nicht innerhalb der Reichweite kann verursachen Überhitzung Und Motor Burn - out . Schwer Lasten erfordern Das Die Stromspannung bei Motor Terminals Sei NEIN weniger als Die auf dem Typenschild angegebene Spannung .

7 ERDUNGSANWEISUNGEN:

Ein unsachgemäßer Anschluss des Erdungsleiters kann besteht die Gefahr eines Stromschlags. Die Ausrüstung sollte während des Gebrauchs geerdet, um den Bediener vor Stromschlägen zu schützen

- die Erdung nicht verstehen Anweisungen oder Wenn Du Sind In zweifeln als Zu ob das Werkzeug Ist richtig geerdet .
- Das Werkzeug Ist ausgestattet mit ein genehmigt Kabel und einen 3-poligen Erdungsstecker zu Ihrem Schutz gegen Schock Gefahren .
- Der Erdungsstecker muss direkt in eine ordnungsgemäß installierte

und geerdete Steckdose mit 3-poligem Erdungsanschluss .

- Tun Erdung nicht entfernen oder verändern Zinke In beliebig Benehmen. In das Ereignis von A Fehlfunktion oder Zusammenbruch , Erdung bietet ein Pfad von am wenigsten Widerstand für elektrisch Schock .

Achten Sie darauf, dass Ihre Finger beim Einsetzen oder Entfernen aus der Steckdose nicht die Anschlüsse des Steckers berühren.

- Der Stecker muss in eine passende Steckdose eingesteckt werden, die ordnungsgemäß installiert und gemäß allen örtlichen Vorschriften und Verordnungen geerdet ist. Verändern Sie den mitgelieferten Stecker nicht. Wenn er nicht in die Steckdose passt, lassen Sie von einem qualifizierten Elektriker eine geeignete Steckdose installieren.
- Überprüfen Werkzeug Kabel regelmäßig und Wenn beschädigt , haben von einer autorisierten Serviceeinrichtung repariert werden .
- Der grüne (oder grün-gelbe) Leiter im Kabel ist der Erdungsdraht. Wenn eine Reparatur oder ein Austausch des Stromkabels oder Steckers erforderlich ist, schließen Sie den grünen (oder grün-gelben) Draht nicht an einen stromführenden Anschluss an.

8 VERLÄNGERUNGSKABEL:

- Die Verwendung eines Verlängerungskabels wird nicht empfohlen. Die Verwendung Ein Verlängerungskabel kann zu einem Spannungsabfall und Leistungsverlust führen .
- Die Drähte des Verlängerungskabels müssen ausreichend groß sein, um die aktuell Und pflegen angemessen Stromspannung .
- Verlängerungskabellänge Up bis 50 ft . Drahtgröße bis zu 14 AWG oder 1,5 mm² .
- Verwenden nur 3- adrig Verlängerung Kabel mit 3- Zinken Erdung Typ Stecker und 3- polig Behälter welche akzeptieren Die Werkzeug Stecker .
- Wenn Die Verlängerung Kabel Ist getragen , schneiden oder beschädigt In beliebig Weg , Ersetzen Es sofort .

OPERATION

1. Schließen Sie den Staubsammler mit einem 4-Zoll-Staubsammelschlauch (nicht im Lieferumfang enthalten) an Ihre Holzbearbeitungsmaschine an. Je nach Größe des Staubanschlusses Ihrer Maschine sind möglicherweise Adapter erforderlich.
2. Beim Starten des Staubabscheiders kann die Stromstärke kurzzeitig auf bis zu 80 Ampere ansteigen. Dies kann zu einem Kurzschluss des Stromkreises führen. Stellen Sie sicher, dass beide Einlassöffnungen abgedeckt sind, bevor Sie den Staubabscheider starten. Bei fehlendem Luftstrom wird am wenigsten Strom verbraucht.
3. Stellen Sie sicher, dass der Schalter des Staubsammlers auf AUS steht, und stecken Sie den Netzstecker in eine passende Steckdose. Schalten Sie dann den Staubsammler ein und starten Sie die Holzbearbeitungsmaschine.
4. AUSTAUSCH DES SAMMELBEUTELS . Leeren Sie den Sammelbeutel regelmäßig. Dadurch kann der Staubsammler mit maximaler Effizienz arbeiten.
 - Trennen Sie den Staubsammler von der Steckdose. Stellen Sie sicher, dass Sie eine Atemschutzmaske oder Staubmaske und eine Schutzbrille tragen.
 - Lösen Sie die Riemenklemme, mit der der Auffangbeutel befestigt ist, und nehmen Sie den Beutel dann aus dem Auffangbehälter.
 - Verschließen Sie den Beutel oben fest und entsorgen Sie ihn sicher gemäß den örtlichen und bundesstaatlichen Standards.
 - Setzen Sie einen neuen Auffangbeutel ein.

MAINTENANCE

ALLGEMEINE WARTUNG

Stellen Sie sicher, dass die Maschine ausgeschaltet ist und das Kabel trennen Sie die Maschine von der Stromquelle, bevor Sie Wartungsarbeiten durchführen und Komponenten an der Maschine entfernen/austauschen.

- Überprüfen Sie den Staubsammler täglich auf lose Befestigungsbolzen, Schrauben, beschädigte Kabel, abgenutzte Schalter, vollen Auffangbeutel und andere unsichere Zustände.
- Die Flügelradschraube kann sich im Laufe der Zeit lösen. Überprüfen Sie das Flügelrad einmal im Monat, um sicherzustellen, dass die Flügelradschrauben fest sitzen und das Flügelrad auf der Welle sichern.
- So prüfen Sie: Stellen Sie sicher, dass die Maschine ausgeschaltet und das Kabel von der Stromquelle getrennt ist. Greifen Sie durch die Einlassabdeckung der Maschine auf die Laufradschrauben zu und ziehen Sie sie fest, um das Laufrad auf der Welle zu befestigen.

REINIGUNG

Überprüfen und leeren Sie den Auffangbeutel Ihres Staubsaugers regelmäßig. Die Maschine arbeitet deutlich effizienter, wenn der Auffangbeutel leer ist.

MASCHINENLAGERUNG

- Wenn der Staubsammler nicht verwendet wird, ziehen Sie das Kabel ab. Trennen Sie die Maschine von der Stromquelle und lagern Sie sie an einem trockenen Ort.
- Setzen Sie die Maschine nicht dem Regen aus.
- Stellen Sie sicher, dass das Kabel von potenziellen Schadensquellen wie scharfen Gegenständen, Chemikalien, Wärmequellen und Wasser ferngehalten wird.

WERKZEUGREPARATUREN

- Wenn das Netzkabel abgenutzt, durchtrennt oder anderweitig beschädigt ist, ersetzt sofort.
- Ersetzen Sie abgenutzte Schleifmittel bei Bedarf.
- Ersetzen Sie beschädigte oder fehlende Teile. Verwenden Sie die Teileliste, um Teile bestellen. Jeder Versuch, den Motor zu reparieren,

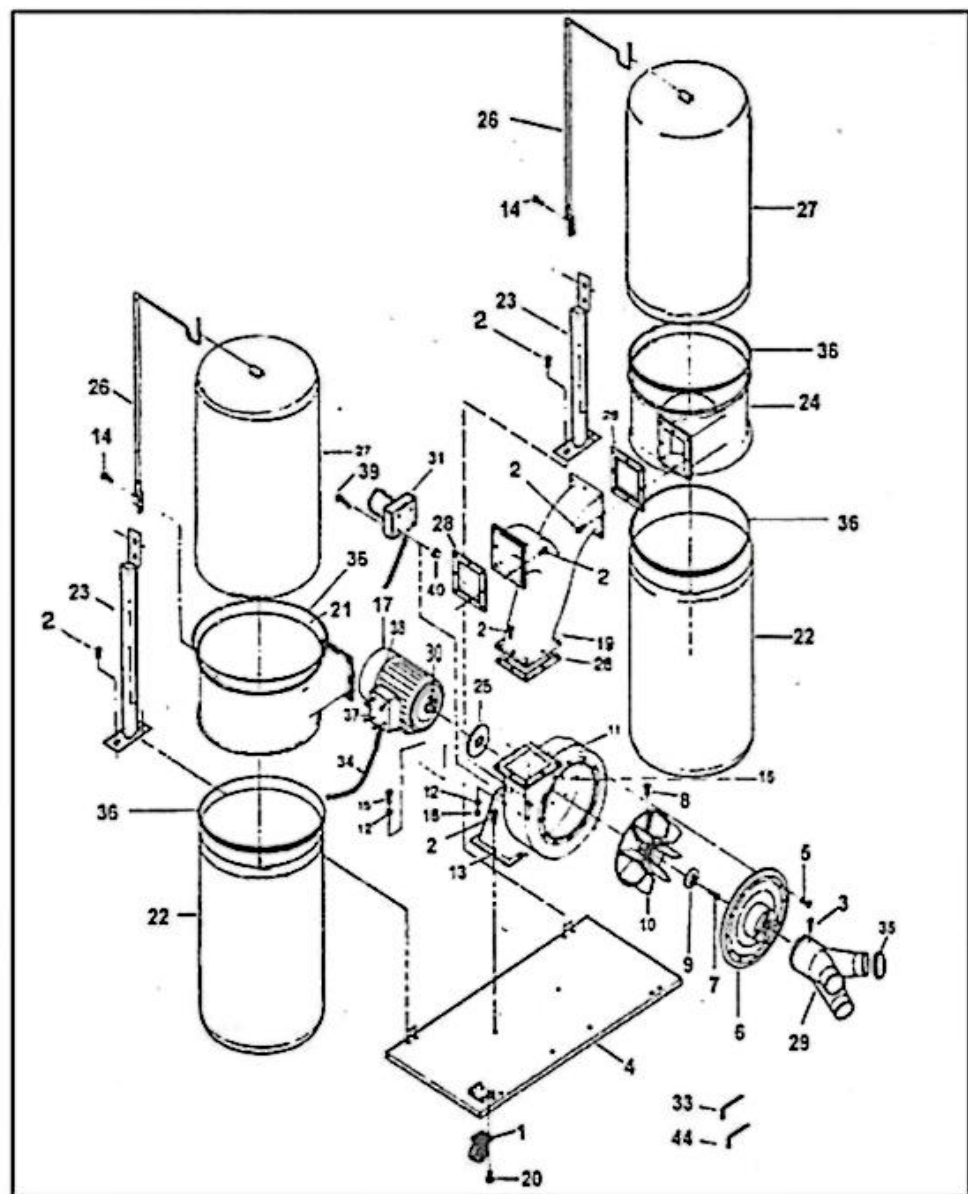
kann eine Gefahr darstellen es sei denn, die Reparatur wird von einem qualifizierten Servicetechniker durchgeführt.

TROUBLESHOOTING

SYMPTOM	MÖGLICHE URSACHE(N)	KORREKTURMASSNAHMEN
Motor Wille nicht Start	<ol style="list-style-type: none"> 1. Niederspannung 2. Unterbrechung In Motor oder lose Anschlüsse 3. Defekt schalten 4. Defekt Kondensator 5. Schalter Schlüssel wird entfernt 	<ol style="list-style-type: none"> 1. 1. Überprüfen Sie die Stromleitung auf die richtige Spannung 2. Überprüfen Sie alle Leitungsverbindungen am Motor auf lose oder offene Verbindungen 3. Schalter ersetzen 4. Kondensator ersetzen 5. Schaltschlüssel einstecken
Motor startet nicht; Sicherungen durchgebrannt oder Leistungsschalter ausgelöst	<ol style="list-style-type: none"> 1. Kurzschluss im Inline-Kabel oder Stecker 2. Kurzschluss im Motor oder lose Anschlüsse 3. Falsche Sicherungen oder Leistungsschalter in der Stromleitung 	<ol style="list-style-type: none"> 1. Überprüfen Sie das Netzkabel oder den Stecker auf beschädigte Isolierung und Kurzschlüsse 2. Überprüfen Sie alle Leitungsverbindungen am Motor auf lose oder kurzgeschlossene Anschlüsse oder abgenutzte Isolierung an den Drähten 3. Installieren Sie die richtigen Sicherungen oder Leistungsschalter
Das Gerät vibriert oder läuft laut	<ol style="list-style-type: none"> 1. Motor oder Komponenten sind locker 2. Motorhalterung ist locker/gebrochen 3. Das Gerät ist falsch an der Wand montiert 4. Motorlüfter reibt an der Abdeckung 5. Motorlager defekt 	<ol style="list-style-type: none"> 1. Überprüfen/ersetzen Sie alle abgenutzten oder beschädigten Schrauben/Muttern und ziehen Sie sie erneut fest. 2. Festziehen/Austauschen 3. Befestigungsteile festziehen/ersetzen 4. Lüfterabdeckung wieder anbringen; losen/beschädigten Lüfter ersetzen .
Laut, repetitiv Lärm oder übermäßige Vibrationen vom Staubsammler	<ol style="list-style-type: none"> 1. Staubbefangbeutel ist voll 2. Staubsammelschlauch verstopft 3. Das Holz ist nass und der Staub fließt nicht reibungslos durch den Schlauch 4. Der Schlauch hat ein Leck 	<ol style="list-style-type: none"> 1. Auffangbeutel leeren. 2. Schlauch vom Staubsammelereingang entfernen und die Verengung im Schlauch. Eine Rohrreinigungsspirale kann erforderlich sein. 3. Verarbeiten Sie Schnittholz mit einem Feuchtigkeitsgehalt von weniger als 20 %. 4. Schlauch prüfen und ersetzen.
Sägemehl, das vom Staubsammler in die Luft geblasen wird	Schlauchscheiden oder Staubfangsack sind nicht richtig festgeklemmt und gesichert.	Überprüfen Sie Schlauch und Staubsammelbeutel und stellen Sie sicher, dass die Schlauch- und Beutelklemmen fest sitzen und sich vollständig über Schlauch und Beutel

		befinden.
--	--	-----------

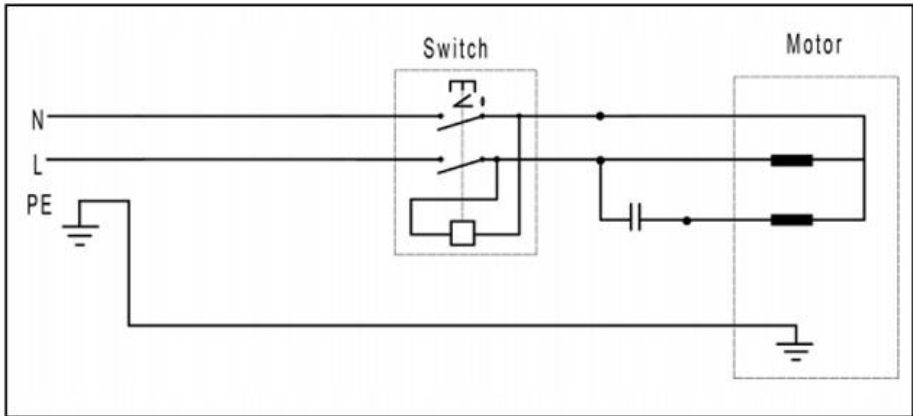
WIRING DIAGRAM



TEILELISTE

Teilenummer	Beschreibung	Teilenummer	Beschreibung
1	Caster	21	LINKS-SAMMLER
2	SCHRAUBEN	22	SAMMELTASCHE
3	SCHRAUBEN	23	SAMMLERUNTERSTÜTZUNG
4	GRUNDPLATTE	24	RECHTS-SAMMLER
5	SCHRAUBEN	25	WASCHMASCHINE
6	EINLASS	26	OBERE BEUTELHALTERUNG
7	SCHRAUBEN	27	FILTERBEUTEL
8	SECHSKANTSCHRAUBE	28	VERPACKUNG
9	WASCHMASCHINE	29	EINLASS
10	TURBO-LÜFTER	30	SCHLÜSSEL
11	KOLLEKTOR	31	SCHALTEN
12	WASCHMASCHINE	33	Sechskantschlüssel
13	MOTORBASIS	34	KABEL
14	SECHSKANTSCHRAUBE	35	KAPPE
15	SECHSKANTSCHRAUBE	36	Beutelklammer
16	BQLT	37	SCHALTKASTEN
17	MOTOR	38	KOPFSCHRAUBE
18	NUSS	39	SCHRAUBEN
19	ANSCHLUSS	44	SCHLÜSSEL
20	SCHRAUBEN		

CIRCUIT DIAGRAM



Warnung: Um das Verletzungsrisiko zu verringern, muss der Benutzer die Bedienungsanleitung sorgfältig lesen.



Dieses Produkt unterliegt den Bestimmungen der europäischen Richtlinie 2012/19/EU. Das Symbol einer durchgestrichenen Mülltonne weist darauf hin, dass dieses Produkt in der Europäischen Union einer getrennten Müllentsorgung unterliegt. Dies gilt für das Produkt und alle mit diesem Symbol gekennzeichneten Zubehörteile. Entsprechend gekennzeichnete Produkte dürfen nicht im Hausmüll entsorgt werden, sondern müssen an einer Sammelstelle für das Recycling von Elektro- und Elektronikgeräten abgegeben werden.



VEVOR

Affordable. Reliable. Home Improvement.

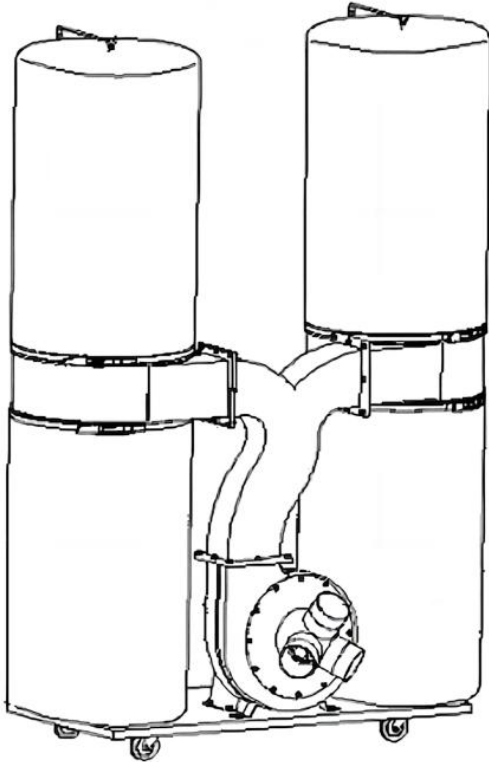
ASPIRATORE DI POLVERE

MODELLO: DC20003

VEVOR

Affordable. Reliable. Home Improvement.

MODELLO: DC20003



Please scan the QR code to watch the video code on how to install it.

Queste sono le istruzioni originali, si prega di leggere attentamente tutte le istruzioni del manuale prima dell'uso. VEVOR si riserva la piena interpretazione del proprio manuale utente. L'aspetto del prodotto dipenderà dal prodotto ricevuto. Vi preghiamo di scusarci se non vi informeremo più in caso di aggiornamenti tecnologici o software sul nostro prodotto.

SAFETY RULES

1. Leggere e acquisire familiarità con l'intero manuale operativo.
2. Mantenere le protezioni e la copertura in posizione e funzionanti.
3. Utilizzare sempre occhiali di sicurezza, utilizzare anche una maschera facciale o antipolvere se si taglia le operazioni sono polverose. Gli occhiali da vista di uso quotidiano hanno solo lenti resistenti agli urti ; non sono occhiali di sicurezza.
4. Mantenere pulita l'area di lavoro. Aree e panche disordinate invitare incidenti.
5. Non forzare gli utensili. Il loro funzionamento sarà migliore e più sicuro se si manterranno le velocità per cui sono stati progettati.
6. Evitare l'avvio accidentale. Assicurarsi che l'interruttore sia in posizione "off" prima di collegare il cavo.
7. Non sporgerti troppo. Mantieni sempre un appoggio e un equilibrio adeguati. Per un appoggio ottimale, indossa calzature con suola in gomma. Mantieni il pavimento pulito e non unto con olio, pezzi di legno, ecc.
8. Indossare un abbigliamento adeguato. Abiti larghi o gioielli potrebbero impigliarsi nelle parti in movimento. Indossare una cuffia protettiva per contenere i capelli lunghi.
9. Rendere l'officina a prova di bambino. Posizionare un lucchetto sull'interruttore quando la sega non è in uso e conservare la chiave in un luogo sicuro.
10. Rimuovere le chiavi di regolazione e le chiavi inglesi. Prendere l'abitudine di controllare che le chiavi e le chiavi inglesi di regolazione siano state rimosse dall'utensile prima di accenderlo.
11. Evitare ambienti pericolosi . Non utilizzare utensili elettrici in luoghi umidi o bagnati. Mantenere l'area di lavoro ben illuminata . Non

utilizzarlo in atmosfere esplosive (intorno a vernici, liquidi infiammabili, ecc.)

12. Tenere lontani i bambini. Tutti i visitatori devono essere tenuti a distanza di sicurezza dall'area di lavoro, soprattutto durante il funzionamento dell'unità.
13. Utilizzare l'utensile appropriato. Non forzare l'utensile o l'accessorio a svolgere un lavoro per il quale non è stato progettato.
14. Mantenere gli utensili in condizioni ottimali. Mantenerli affilati e puliti per prestazioni ottimali e sicure. Seguire le istruzioni per la lubrificazione e la sostituzione degli accessori.
15. Fissare il lavoro. Utilizzare morsetti o una morsa per tenere fermo il lavoro, quando possibile. È più sicuro che usare le mani e impedisce che pezzi rotondi o di forma irregolare si girino.
16. Controllare le parti danneggiate. Prima di utilizzare ulteriormente l'utensile, è necessario controllare la protezione o altre parti danneggiate per assicurarsi che funzionino correttamente e svolgano la loro funzione prevista . Controllare l'allineamento delle parti mobili, la rottura delle parti, il montaggio e qualsiasi altra condizione che possa influenzarne il funzionamento . Una protezione o un'altra parte danneggiata deve essere riparata o sostituita correttamente.
17. Utilizzare gli accessori consigliati (consultare il manuale d'uso). L'uso di accessori non adatti potrebbe essere pericoloso.
18. Non salire mai sull'utensile. Una caduta potrebbe causare lesioni .
19. Non lasciare mai l'utensile in funzione e incustodito.
20. Staccare sempre la spina del cavo dalla presa elettrica quando si regola, si sostituiscono parti o si lavora sull'utensile.
21. Staccare sempre la spina del cavo dalla presa elettrica quando si regola, si sostituiscono parti o si lavora sull'utensile.

SPECIFIC SAFETY INSTRUCTIONS

Leggere attentamente il manuale di istruzioni prima di utilizzare l'aspiratore. Le precauzioni di base elencate di seguito devono essere sempre rispettate durante l'utilizzo dell'aspiratore per ridurre il rischio di lesioni, scosse elettriche o incendi.

1. Questo aspiratore è destinato esclusivamente alla raccolta di polvere e trucioli di legno provenienti da macchine per la lavorazione del legno. Non utilizzare l'aspiratore per altri scopi che non siano la polvere di legno. Materiali come liquidi, aerosol, polvere metallica, viti, vetro, plastica o rocce possono causare scintille al contatto con qualsiasi parte del sistema di raccolta.
2. Non lasciare mai che l'acciaio entri in contatto con la girante. L'impatto con qualsiasi materiale duro può provocare scintille che possono causare incendi. Prestare attenzione a qualsiasi situazione che comporti un rischio di incendio.
3. La polvere generata durante l'utilizzo di macchinari può causare cancro, malformazioni congenite o danni respiratori a lungo termine. Siate consapevoli dei rischi derivanti dalla polvere associati a ciascun materiale in lavorazione e indossate sempre un respiratore approvato dal NIOSH.
4. Non avvicinare mani, oggetti o utensili all'apertura di aspirazione mentre la macchina è collegata alla presa di corrente o durante il funzionamento. Tenere animali e bambini lontani dalle aperture di aspirazione della polvere aperte.
5. Controllare e svuotare regolarmente il sacco di raccolta per evitare l'accumulo di polvere fine che può aumentare il rischio di incendio. Pulire regolarmente l'area circostante la macchina. Un eccessivo accumulo di polvere su fonti di calore come luci a soffitto e quadri elettrici aumenta il rischio di incendio.

6. Indossare sempre un respiratore e occhiali di sicurezza quando si rimuove, si svuota o si sostituisce il sacco di raccolta. Svuotare la polvere lontano da fonti di accensione e in un contenitore adatto.
7. Collegare sempre il raccogliore di polvere alla fonte di alimentazione adatta.

IMPORTANTE : Considera sempre la sicurezza prima di tutto in quanto si applica alla tua persona lavorando condizioni , il ambiente In ogni il negozio è diverso.

CONSERVARE TUTTI GLI AVVERTIMENTI E LE ISTRUZIONI PER IL FUTURO RIFERIMENTO .

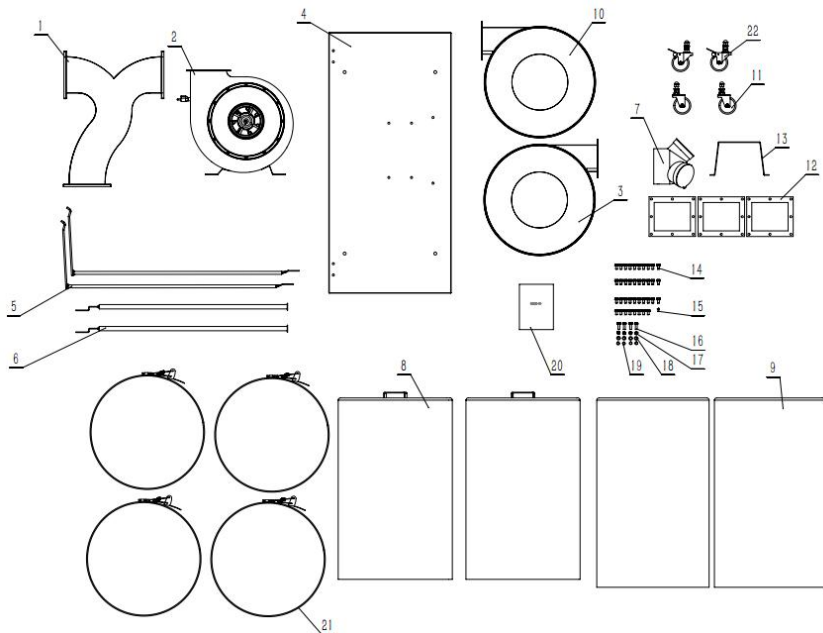
TECHNICAL DATA

Potenza del motore	3 CV/2200 W
Diametro di ingresso	4 pollici/100 mm x 3
Diametro della ventola	12 pollici/305 mm
Capacità del sacco (metro cubo)	42*2 galloni
Capacità di raccolta (metri cubi/ora)	1550 CFM (2600 m3/h)
Connettore del tubo:	100 millimetri
Dimensioni complessive (L x P x A)	1440 x 730 x 2000 mm
Dimensioni dell'imballaggio (L x P x A)	1220 x 620 x 635 mm

ASSEMBLY

Disimballaggio e controllo del contenuto

Verificare eventuali danni causati dal trasporto. Controllare immediatamente se tutte le parti e gli accessori sono inclusi. Se qualcosa è mancante o rotto, contattare il rivenditore .



NO.	Descrizione	Quantità	NO.	Descrizione	Quantità
1	Connettore	1	12	Imballaggio	3
2	Corpo del collettore e gruppo ventola/motore	1	13	Base del motore	1
3	Collettore sinistro	1	14	Bullone a testa esagonale/M8×1 6	3 8
4	Piastra di base	1	15	Vite/M5×10	1
5	Supporto superiore per borsa	2	16	Bullone a testa esagonale /M8×25	4
6	Supporto	2	17	Dado/M8	4
7	Ingresso	1	18	rondella piatta/8	4
8	Filtro antipolvere a sacchetto	3	19	Rondella elastica/8	4
9	Sacchetto antipolvere	4	20	Istruzioni	1
10	Collettore destro	2	21	Morsetto per sacco	4
11	Ruota	2	22	Ruote dei freni	2

1 Collegamento elettrico

una sezione trasversale di almeno 1,0 mm. In caso di guasto, staccare immediatamente la spina dalla presa di corrente. Quindi controllare la macchina e correggere eventuali guasti.

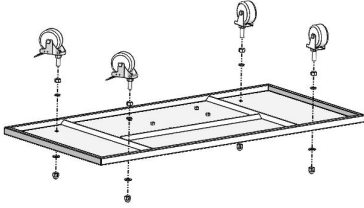
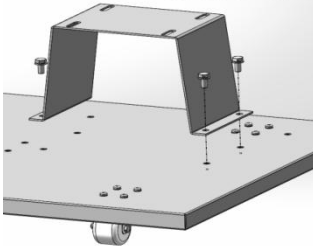
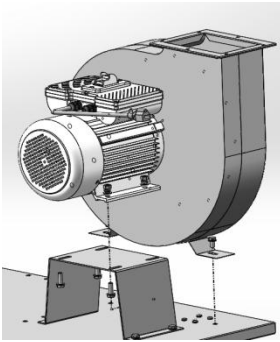
2 Generale

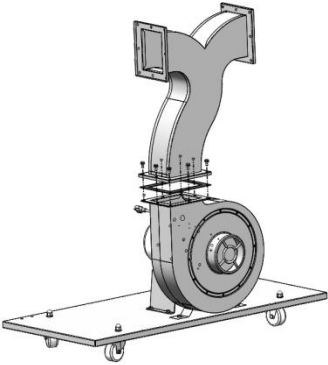
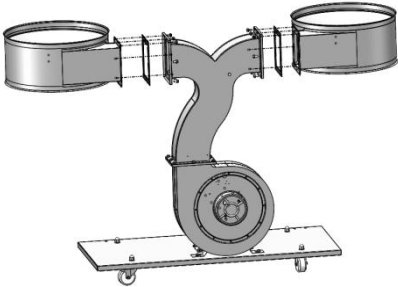
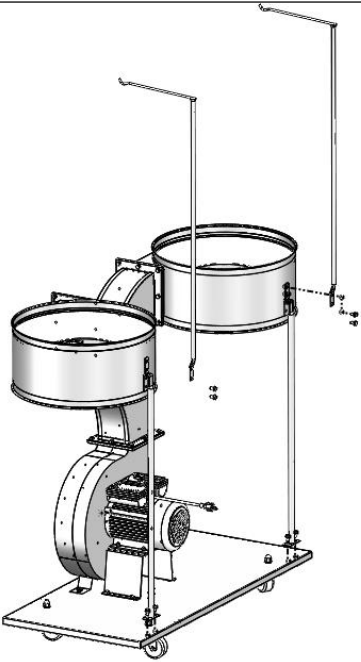
- Non aspirare pezzi di metallo, grossi blocchi di legno o pezzi di listelli nel raccoglitore.
- Utilizzare solo accessori progettati per il DC20001 .

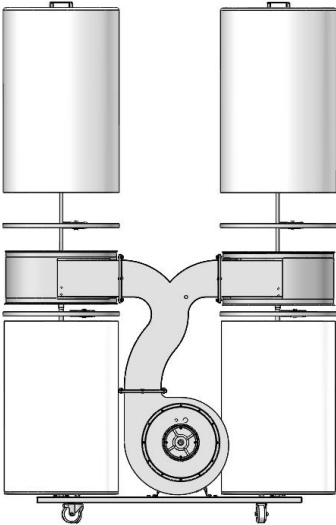
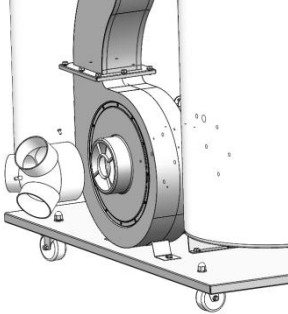
3 Pulizia

- Il raccogli-polvere deve essere pulito ogni volta che si sostituisce il sacco di raccolta.
- I filtri e i sacchetti danneggiati devono essere sostituiti immediatamente per ridurre al minimo la dispersione di polvere nell'area di lavoro.

4. Assemblaggio

1	<p>Per il montaggio, posizionare prima la piastra di base capovolta e fissare le quattro ruote (11,22#) nei fori previsti e serrare con la chiave.</p>	
2	<p>Fissare la base del motore (1 3 #) sulla piastra di base (4 #) con 4 bulloni a testa esagonale/M8×1 6 (1 4 #)</p>	
3	<p>Fissare il corpo del collettore e il gruppo ventola/motore (2 #) con 4 bulloni a testa esagonale /M8×25 e 4 rondelle piatte/8 (16 #) + 4 rondelle piatte/8 (18 #), 4 rondelle elastiche /8 (19 #) e 4 dadi M8 (17 #) alla base del motore (1 3 #)</p> <p>Fissare il corpo del collettore e il gruppo ventola/motore (2 #) alla piastra di base (4 #) con un bullone a testa esagonale/M8×1 6 (1 4 #)</p>	

<p>4</p>	<p>Installare la guarnizione (1 2 #) e il connettore (1 #) sul corpo del collettore assemblaggio (2 #) utilizzando 8 bulloni a testa esagonale/M8×1 6 (1 4 #) .</p>	
<p>5</p>	<p>Installare il collettore sinistro (3 #) , il collettore destro (1 0 #) e due guarnizioni (1 2 #) all'uscita del corpo del collettore montaggio (2 #) utilizzando 16 bulloni a testa esagonale/M8×1 6 (1 4 #) .</p>	
<p>6</p>	<p>Fissare il supporto (6 #) alla piastra di base (4 #) con 4 Bullone a testa esagonale/M8×1 6 (1 4 #) Fissato il supporto (6 #) e il supporto del sacco superiore (5 #) sul collettore (3 #, 10 #) con 4 Testa esagonale bullone/M8×1 6 (1 4 #)</p>	

7	<p>Allegare Morsetto del sacchetto (2 1 #) fissa il filtro antipolvere del sacchetto (8 #) e il sacchetto antipolvere (9 #) sul Collezionista (3 # , 10 #)</p>	
8	<p>Usa la vite (15 #) per fissare l' ingresso (7 #)</p>	

Il collettore di polvere è ora pronto per essere messo in servizio. Prima collegamento a una fonte di alimentazione, assicurarsi che la fonte di alimentazione sia correttamente messa a terra e sia di tensione e amperaggio corretti.

5 TEST:

Prima di avviare il raccogliitore di polvere, assicurarsi di Avere Leggere e capito IL manuale E Voi Sono familiari con IL funzioni e caratteristiche di sicurezza della macchina . Incapacità di fare COSÌ Maggio causare gravi lesioni personali.

Eseguire un test per verificare che il collettore di polvere funzioni correttamente.

- Assicurarsi che tutti gli strumenti siano rimossi dal lavoro zona e il le staffe di montaggio a parete sono sicure.
- Tappo IL energia corda in IL corretto ricettacolo . (Fare riferimento (Vedi paragrafo "Alimentazione " in questa sezione del manuale.)
- Giro IL polvere collettore ON . (Fare riferimento A Acceso / Spento Cambia paragrafo nella sezione **Operazione** del manuale.)
- Se si notano rumori insoliti o vibrazioni eccessive, spegnere Spegnere immediatamente la macchina e scollegare il cavo dalla presa di corrente. Controllare nuovamente tutti i componenti assemblati e verificare la causa del problema.

Se tutto funziona correttamente, il raccoglitore di polvere è pronto per l'uso.

6 FONTE DI ALIMENTAZIONE:

Fare non collegare polvere collettore A IL energia fonte Fino a tutto il montaggio passi Avere stato completato .

IL motore È progettato per operazione SU IL voltaggio E frequenza. specificata. I carichi normali saranno gestiti in sicurezza su tensioni non superiori o inferiori del 10% rispetto alla tensione specificata.

Far funzionare l'unità con tensioni che sono non all'interno del allineare può causare surriscaldamento E motore esaurimento . Pesante carichi richiedere Quello IL voltaggio A motore terminali Essere NO meno di IL tensione specificata sulla targhetta.

7 ISTRUZIONI PER LA MESSA A TERRA:

Un collegamento improprio del conduttore di messa a terra dell'apparecchiatura può comportare il rischio di scosse elettriche. L'apparecchiatura deve essere collegato a terra durante l'uso per proteggere l'operatore da scosse elettriche

- la messa a terra, consultare un elettricista qualificato istruzioni O Se Voi Sono In dubbio COME A se lo strumento È correttamente a terra .
- Questo attrezzo È equipaggiato con UN approvato corda e una spina con messa a terra a 3 poli per la tua protezione contro shock pericoli .
- La spina di messa a terra deve essere collegata direttamente a una presa elettrica adeguata. presa di tipo con messa a terra a 3 poli

installata e collegata a terra .

- Fare non rimuovere o alterare la messa a terra rebbio In Qualunque maniera. In l' evento Di UN malfunzionamento O guasto , messa a terra fornisce un percorso Di meno resistenza per elettrico shock .

Non toccare i terminali della spina con le dita durante l'installazione o la rimozione dalla presa.

- La spina deve essere inserita in una presa corrispondente, correttamente installata e dotata di messa a terra in conformità con tutti i codici e le ordinanze locali. Non modificare la spina fornita. Se non si adatta alla presa, far installare una presa adeguata da un elettricista qualificato.
- Ispezionare attrezzo corde periodicamente , e Se danneggiato , Avere riparato da un centro di assistenza autorizzato.
- Il conduttore verde (o verde e giallo) nel cavo è il filo di messa a terra. Se è necessaria la riparazione o la sostituzione del cavo elettrico o della spina, non collegare il filo verde (o verde e giallo) a un terminale sotto tensione.

8 PROLUNGHE:

- L'uso di una prolunga non è raccomandato. L'uso di qualsiasi la prolunga causerà un calo di tensione e una perdita di potenza .
- I fili della prolunga devono essere di dimensioni sufficienti per trasportare il attuale E mantenere adeguato voltaggio .
- Lunghezza della prolunga Su fino a 50 piedi . Dimensioni del filo fino a 14 AWG o $1,5 \text{ mm}^2$.
- Utilizzo solo 3 fili estensione corde avente 3 punte messa a terra tipo spine e 3 poli recipienti Quale accettare IL attrezzo tappo .
- Se IL estensione corda È logoro , taglio O danneggiato In Qualunque modo , Sostituire Esso immediatamente .

OPERATION

1. Collegare l'aspiratore alla macchina per la lavorazione del legno utilizzando un tubo flessibile da 4 pollici (non incluso). Potrebbero essere necessari degli adattatori a seconda delle dimensioni della porta di aspirazione della macchina.
2. All'avvio dell'aspiratore, l'ampere potrebbe raggiungere 80 ampere per un breve istante, rischiando di far saltare il circuito elettrico. Assicurarsi che entrambe le porte di ingresso siano coperte prima di avviare l'aspiratore. Il consumo di corrente sarà minimo in assenza di flusso d'aria.
3. Assicurandosi che l'interruttore del raccogli-polvere sia in posizione OFF, inserire la spina di alimentazione in una presa adatta. Quindi, accendere il raccogli-polvere e iniziare a utilizzare la macchina per la lavorazione del legno.
4. SOSTITUZIONE DEL SACCO DI RACCOLTA . Svuotare regolarmente il sacco di raccolta. Ciò consentirà al raccogli-polvere di funzionare alla massima efficienza.
 - Scollegare l'aspiratore dalla presa di corrente. Assicurarsi di indossare un respiratore o una maschera antipolvere e occhiali di sicurezza.
 - Rilasciare il morsetto della cinghia che fissa il sacco di raccolta, quindi rimuovere il sacco dal raccogli-polvere.
 - Chiudere bene la parte superiore del sacchetto e smaltirlo in modo sicuro secondo le norme locali e federali.
 - Installare un nuovo sacco di raccolta.

MAINTENANCE

MANUTENZIONE GENERALE

Assicurarsi che la macchina sia spenta e che il cavo sia scollegato dalla fonte di alimentazione prima di effettuare interventi di manutenzione e di rimuovere/sostituire qualsiasi componente della macchina.

- Controllare quotidianamente il raccogli-polvere per verificare che non vi siano bulloni di montaggio allentati, viti, fili danneggiati, interruttori

usurati, sacco di raccolta pieno e qualsiasi altra condizione pericolosa.

- La vite della girante potrebbe allentarsi con l'uso. Controllare la girante una volta al mese per assicurarsi che le viti siano ben serrate e che la fissino sull'albero.
- Per controllare: assicurarsi che la macchina sia spenta e che il cavo sia scollegato dalla fonte di alimentazione. Accedere alle viti della girante attraverso il coperchio di ingresso della macchina e serrarle per fissare la girante all'albero.

PULIZIA

Controlla e svuota regolarmente il sacco di raccolta del tuo aspiratore. La macchina funziona con un livello di efficienza molto più elevato quando il sacco di raccolta è vuoto.

DEPOSITO MACCHINE

- Quando il raccogli-polvere non è in uso, scollegare il cavo dalla fonte di alimentazione e riporre la macchina in un luogo asciutto.
- Non esporre la macchina alla pioggia.
- Assicurarsi che il cavo sia tenuto lontano da potenziali fonti di danno, quali oggetti appuntiti, sostanze chimiche, fonti di calore e acqua.

RIPARAZIONI DI UTENSILI

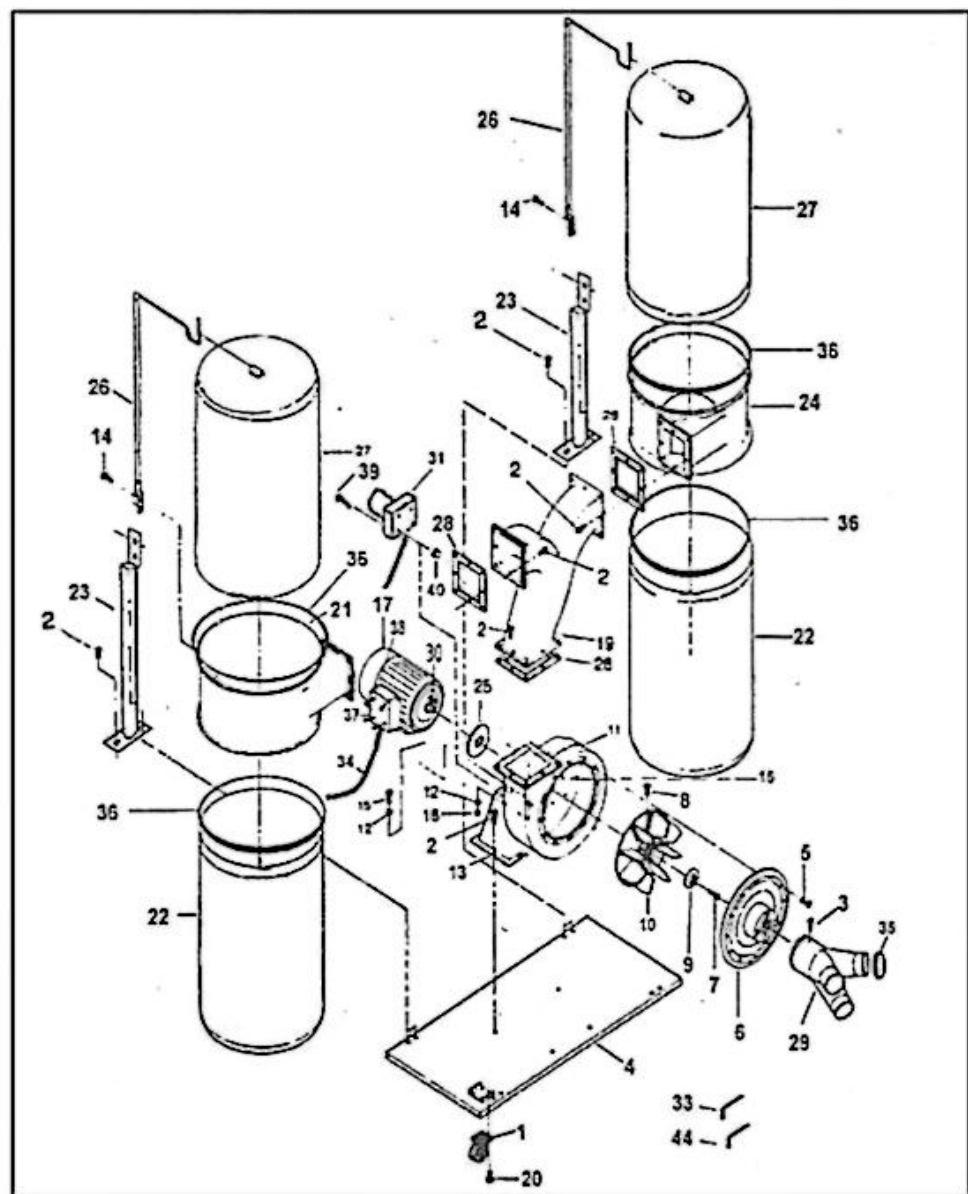
- Se il cavo di alimentazione è usurato, tagliato o danneggiato in qualsiasi modo, farlo sostituire sostituito immediatamente.
- Sostituire gli abrasivi usurati quando necessario.
- Sostituire eventuali parti danneggiate o mancanti. Utilizzare l'elenco delle parti per ordinare i pezzi. Qualsiasi tentativo di riparare il motore può creare un pericolo a meno che la riparazione non venga effettuata da un tecnico qualificato.

TROUBLESHOOTING

SINTOMO	POSSIBILI CAUSE	AZIONE CORRETTIVA
Motore Volere non inizio	<ol style="list-style-type: none"> 1. Bassa tensione 2. Circuito aperto In motore o allentato connessioni 3. Difettoso interruttore 4. Difettoso condensatore 5. Cambia chiave è rimosso 	<ol style="list-style-type: none"> 1. 1. Controllare la linea di alimentazione per verificare che la tensione sia corretta 2. Ispezionare tutti i collegamenti dei cavi sul motore per verificare che non siano allentati o aperti. 3. Sostituire l'interruttore 4. Sostituire il condensatore 5. Inserire la chiave dell'interruttore
Il motore non si avvia; fusibili bruciati o interruttori automatici scattati	<ol style="list-style-type: none"> 1. Cortocircuito del cavo o della spina in linea 2. Cortocircuito nel motore o collegamenti allentati 3. Fusibili o interruttori automatici errati nella linea elettrica 	<ol style="list-style-type: none"> 1. Ispezionare il cavo di alimentazione o la spina per verificare che non vi siano danni all'isolamento e fili in cortocircuito 2. Ispezionare tutti i collegamenti dei cavi sul motore per verificare la presenza di terminali allentati o in cortocircuito o di isolamento usurato sui fili 3. Installare fusibili o interruttori automatici corretti
L'unità vibra o funziona rumorosamente	<ol style="list-style-type: none"> 1. Il motore o i componenti sono allentati 2. Il supporto del motore è allentato/rotto 3. L'unità non è montata correttamente sulla parete 4. La ventola del motore sfrega contro la copertura 5. Cuscinetti del motore difettosi 	<ol style="list-style-type: none"> 1. Ispezionare/sostituire eventuali bulloni/dadi danneggiati o danneggiati e serrarli nuovamente. 2. Stringere/sostituire 3. Serrare/sostituire l'hardware di montaggio 4. Riposizionare il coperchio della ventola; sostituire la ventola allentata/danneggiata .
forte, ripetitivo rumore o eccessivo vibrazione proveniente dal collettore di polvere	<ol style="list-style-type: none"> 1. Il sacchetto di raccolta della polvere è pieno 2. Tubo flessibile del collettore di polvere ostruito 3. Il legname è bagnato e la polvere non scorre agevolmente attraverso il tubo 4. C'è una perdita nel tubo 	<ol style="list-style-type: none"> 1. Svuotare il sacco di raccolta. 2. Rimuovere il tubo flessibile dall'ingresso del raccogliore di polvere e sbloccare il restringimento nel tubo. Potrebbe essere necessario utilizzare una sonda idraulica. 3. Lavorare il legname con un contenuto di umidità inferiore al 20%. 4. Ispezionare e sostituire il tubo.
Segatura soffiata nell'aria dal collettore di polvere	Le fascette stringitubo o il sacco raccogli-polvere non sono fissati e fissati correttamente.	Controllare il tubo flessibile e il sacco di raccolta della polvere, accertarsi che i morsetti del tubo flessibile e del sacco siano ben stretti e che coprano completamente il tubo flessibile e il

		sacco.
--	--	--------

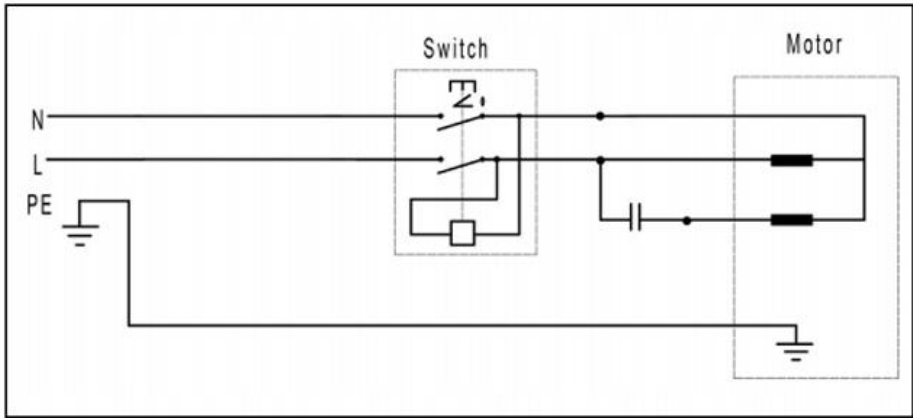
WIRING DIAGRAM



ELENCO DEI PEZZI

Numero di parte	Descrizione	Numero di parte	Descrizione
1	CASTER	21	COLLEZIONISTA SINISTRO
2	VITE	22	BORSA DA COLLEZIONE
3	VITE	23	SUPPORTO COLLEZIONISTA
4	PIASTRA DI BASE	24	COLLETTORE DI DESTRA
5	VITE	25	RONDELLA
6	INGRESSO	26	SUPPORTO SUPERIORE DELLA BORSA
7	VITE	27	SACCHETTO FILTRO
8	VITE ESAGONALE	28	IMBALLAGGIO
9	RONDELLA	29	INGRESSO
10	VENTOLA TURBO	30	CHIAVE
11	COLLETTORE	31	INTERRUTTORE
12	RONDELLA	33	CHIAVE ESAGONALE
13	BASE MOTORE	34	CAVO
14	VITE ESAGONALE	35	CAP
15	VITE ESAGONALE	36	MORSETTO PER SACCHETTI
16	BQLT	37	SCATOLA DI COMMUTAZIONE
17	MOTORE	38	VITE A TESTA
18	NOCE	39	VITE
19	CONNETTORE	44	CHIAVE
20	VITE		

CIRCUIT DIAGRAM



Avvertenza: per ridurre il rischio di lesioni, l'utente deve leggere attentamente il manuale di istruzioni.



Questo prodotto è soggetto alle disposizioni della Direttiva Europea 2012/19/CE. Il simbolo raffigurante un bidone della spazzatura barrato indica che il prodotto richiede la raccolta differenziata nell'Unione Europea. Questo vale per il prodotto e tutti gli accessori contrassegnati da questo simbolo. I prodotti contrassegnati come tali non possono essere smaltiti con i normali rifiuti domestici, ma devono essere conferiti presso un punto di raccolta per il riciclaggio di apparecchiature elettriche ed elettroniche.



VEVOR

Affordable. Reliable. Home Improvement.

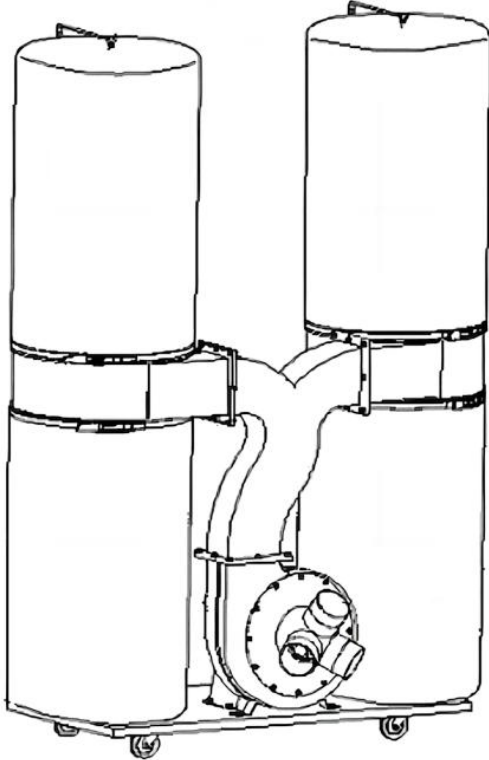
COLECTOR DE POLVO

MODELO: DC20003

VEVOR

Affordable. Reliable. Home Improvement.

MODELO: DC20003



Please scan the QR code to watch the video code on how to install it.

Estas son las instrucciones originales; lea atentamente todas las instrucciones del manual antes de utilizarlo. VEVOR se reserva el derecho de interpretar su manual de usuario. La apariencia del producto dependerá del producto que haya recibido. Le rogamos que nos disculpe si no le informamos de nuevo si hay actualizaciones tecnológicas o de software en nuestro producto.

SAFETY RULES

1. Lea y familiarícese con todo el manual de funcionamiento.
2. Mantenga las protecciones y la cubierta en su lugar y en buen estado de funcionamiento.
3. Utilice siempre gafas de seguridad y también mascarilla facial o antipolvo si corta. Las operaciones generan polvo. Las gafas de seguridad comunes solo tienen lentes resistentes a impactos ; no son gafas de seguridad.
4. Mantenga limpia el área de trabajo. Áreas y bancos desordenados. Invitar a los accidentes.
5. No fuerce las herramientas. Funcionarán mejor y con mayor seguridad a la velocidad para la que fueron diseñadas.
6. Evite el arranque accidental. Asegúrese de que el interruptor esté en la posición de apagado antes de enchufar el cable.
7. No se estire demasiado. Mantenga el equilibrio y la postura correctas en todo momento. Para un mejor apoyo, use calzado con suela de goma. Mantenga el piso limpio de aceite, madera de desecho, etc.
8. Use ropa adecuada. La ropa suelta o las joyas pueden quedar atrapadas en las piezas móviles. Use una protección para el cabello para sujetar el cabello largo.
9. Asegure el taller a prueba de niños. Coloque un candado en el interruptor cuando no use la sierra y guarde la llave en un lugar seguro.
10. Retire las llaves de ajuste y las llaves fijas. Acostúmbrese a comprobar que las llaves y las llaves fijas se hayan retirado de la herramienta antes de encenderla.
11. Evite entornos peligrosos . No utilice herramientas eléctricas en lugares húmedos o mojados. Mantenga su área de trabajo bien iluminada . No lo utilice en atmósferas explosivas (cerca de pintura,

líquidos inflamables, etc.)

12. Mantenga a los niños alejados. Todos los visitantes deben mantenerse a una distancia segura del área de trabajo, especialmente mientras operan la unidad.
13. Utilice la herramienta adecuada. No fuerce la herramienta ni el accesorio para realizar una tarea para la que no fue diseñado.
14. Mantenga las herramientas en óptimas condiciones. Mantenga las herramientas afiladas y limpias para un rendimiento óptimo y seguro. Siga las instrucciones de lubricación y cambio de accesorios.
15. Asegure la pieza. Use abrazaderas o un tornillo de banco para sujetar la pieza, siempre que sea posible. Es más seguro que usar la mano y evita que las piezas redondas o irregulares giren.
16. Revise las piezas dañadas. Antes de volver a utilizar la herramienta, revise cualquier protector u otra pieza dañada para garantizar su correcto funcionamiento y función . Verificar la alineación de partes móviles, rotura de piezas, montaje, cualquier otra condición que pueda afectar su funcionamiento . Cualquier protección u otra pieza que esté dañada debe repararse o reemplazarse adecuadamente.
17. Utilice los accesorios recomendados; consulte el manual del usuario. El uso de accesorios inadecuados podría ser peligroso.
18. Nunca se suba a la herramienta. Podría sufrir lesiones por una caída.
19. Nunca deje la herramienta en funcionamiento y sin supervisión.
20. Retire siempre el enchufe del cable del tomacorriente eléctrico cuando ajuste, cambie piezas o trabaje con la herramienta.
21. Retire siempre el enchufe del cable del tomacorriente eléctrico cuando ajuste, cambie piezas o trabaje con la herramienta.

SPECIFIC SAFETY INSTRUCTIONS

Lea y comprenda el manual de instrucciones antes de utilizar el colector de polvo. Al utilizar el colector de polvo, siga siempre las precauciones básicas que se indican a continuación para reducir el riesgo de lesiones, descargas eléctricas o incendios.

1. Este colector de polvo está diseñado exclusivamente para recoger polvo y virutas de madera de máquinas para trabajar la madera. No utilice el colector de polvo para nada que no sea polvo de madera. Materiales como líquidos, aerosoles, polvo metálico, tornillos, vidrio, plástico o piedras pueden provocar chispas al entrar en contacto con cualquier parte del sistema de recolección.
2. Nunca permita que el acero entre en contacto con el impulsor. El impacto con cualquier material duro puede generar chispas que podrían provocar un incendio. Tenga cuidado con cualquier situación que pueda provocar un incendio.
3. El polvo generado al usar maquinaria puede causar cáncer, defectos congénitos o daños respiratorios a largo plazo. Tenga en cuenta los riesgos del polvo asociados con cada material de la pieza de trabajo y utilice siempre un respirador aprobado por NIOSH.
4. No coloque las manos, objetos pesados ni herramientas cerca de la entrada de aire mientras la máquina esté enchufada o en funcionamiento. Mantenga a los animales y niños alejados de las entradas de aire abiertas.
5. Revise y vacíe regularmente la bolsa recolectora para evitar la acumulación de polvo fino, que puede aumentar el riesgo de incendio. Limpie regularmente el área circundante de la máquina. La acumulación excesiva de polvo en fuentes de calor, como luces del techo y paneles eléctricos, aumenta el riesgo de incendio.
6. Use siempre un respirador y gafas de seguridad al retirar, vaciar o

reemplazar la bolsa recolectora. Vacíe el polvo lejos de fuentes de ignición y en un recipiente adecuado.

7. Conecte siempre el colector de polvo a la fuente de alimentación adecuada.

IMPORTANTE : Siempre considere la seguridad primero, ya que se aplica a su situación individual. laboral condiciones , la ambiente en cada La tienda es diferente.

GUARDE TODAS LAS ADVERTENCIAS E INSTRUCCIONES PARA EL FUTURO REFERENCIA .

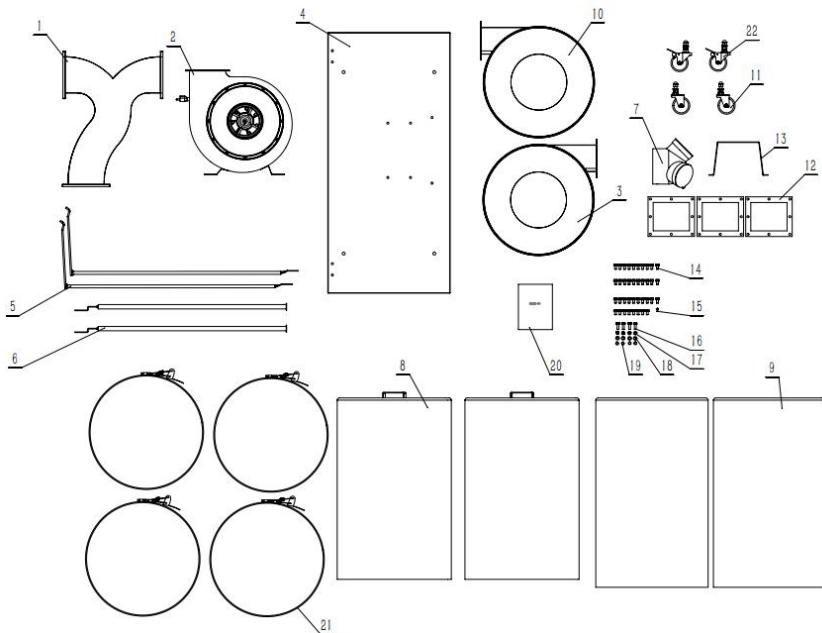
TECHNICAL DATA

Potencia del motor	3 HP/2200 W
Diámetro de entrada	4 pulgadas/100 mm x 3
Diámetro del ventilador	12 pulgadas/305 mm
Capacidad de la bolsa (metro cúbico)	42*2 galones
Capacidad de recolección (metros cúbicos/hora)	1550 CFM (2600 m3/h)
Conector de manguera:	100 milímetros
Tamaño total (largo x ancho x alto)	1440 x 730 x 2000 mm
Tamaño del embalaje (largo x ancho x alto)	1220 x 620 x 635 mm

ASSEMBLY

Desembalaje y comprobación del contenido

Compruebe si hay daños durante el transporte. Compruebe inmediatamente si todas las piezas y accesorios están incluidos. Si algo es faltante o roto, contacte a su distribuidor .



No.	Descripción	Cantidad	No.	Descripción	Cantidad
1	Conector	1	12	Embalaje	3
2	Cuerpo del colector y conjunto de ventilador/motor	1	13	Base del motor	1
3	Colector izquierdo	1	14	Perno de cabeza hexagonal/M8×1 6	3 8
4	Placa base	1	15	Tornillo/M5×10	1
5	Soporte de bolsa superior	2	16	Perno de cabeza hexagonal /M8×25	4
6	Apoyo	2	17	Tuerca/M8	4
7	Entrada	1	18	arandela plana/8	4
8	Filtro de polvo de bolsa	3	19	Arandela elástica/8	4
9	Bolsa para el polvo	4	20	Instrucciones	1
10	Coleccionista correcto	2	21	Abrazadera para bolsas	4
11	Rueda	2	22	ruedas de freno	2

1 Conexión eléctrica

El motor funciona con el letrero. El cable debe tener una sección transversal mínima de 1,0 mm. En caso de avería, desenchufe inmediatamente la máquina. A continuación, revise la máquina y solucione cualquier avería.

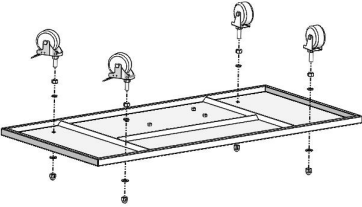
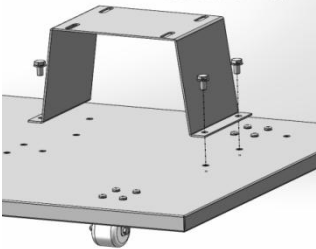
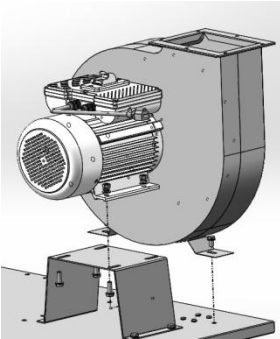
2 General

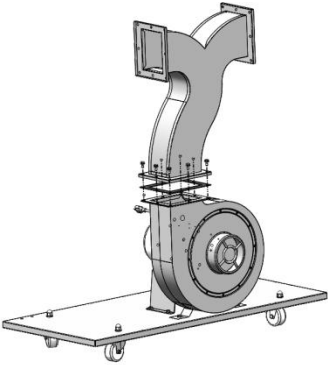
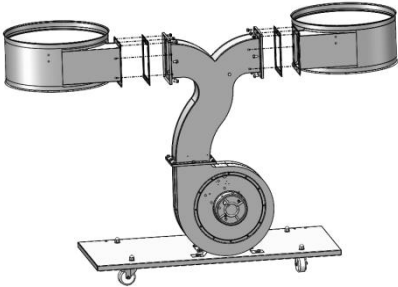
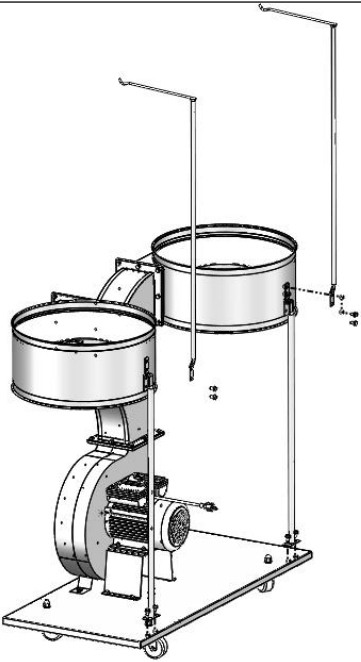
- No aspire trozos de metal, grandes bloques de madera o trozos de listones dentro del colector.
- Utilice únicamente accesorios diseñados para el DC20001 .

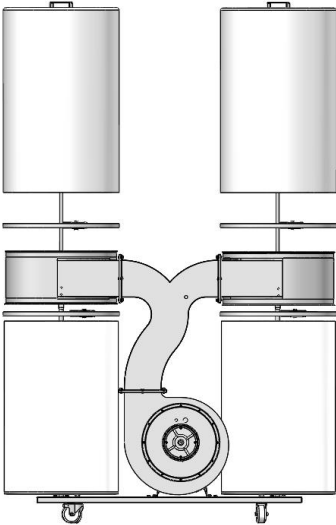
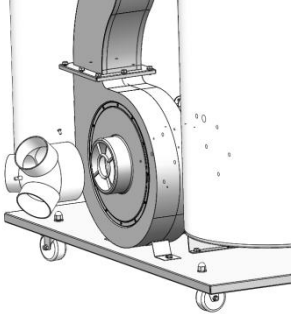
3 Limpieza

- El colector de polvo debe limpiarse cada vez que se cambie la bolsa de recolección.
- Los filtros y bolsas dañados deben reemplazarse inmediatamente para minimizar la dispersión de polvo en el área de trabajo.

4 Asamblea

1	<p>Para ensamblar, primero coloque la placa base boca abajo y coloque las cuatro ruedas (11,22#) a los agujeros previstos y apretar con llave.</p>	
2	<p>Fije la base del motor (1 3 #) sobre la placa base (4 #) con 4 pernos de cabeza hexagonal/M8×1 6 (1 4 #)</p>	
3	<p>Fije el cuerpo del colector y el conjunto de ventilador/motor (n.º 2) con 4 pernos de cabeza hexagonal /M8×25 y 4 arandelas planas/8 (16 #) + 4 arandelas planas/8 (18 #), 4 arandelas de resorte /8 (19 #) y 4 tuercas M8 (17 #) a la base del motor (1 3 #) Fije el cuerpo del colector y el conjunto de ventilador/motor (n.º 2) a la placa base (n.º 4) con un perno de cabeza hexagonal/M8×1 6 (n.º 1 4)</p>	

<p>4</p>	<p>Instale el empaque (1 2 #) y el conector (1 #) en el cuerpo del colector Conjunto (2 #) usando 8 pernos de cabeza hexagonal/M8×1 6 (1 4 #) .</p>	
<p>5</p>	<p>Instale el colector izquierdo (n. ° 3) , el colector derecho (n. ° 10) y dos empaques (n. ° 12) en la salida del cuerpo del colector. ensamblaje (2 #) utilizando 16 pernos de cabeza hexagonal/M8×1 6 (1 4 #) .</p>	
<p>6</p>	<p>Fije el soporte (6 #) a la placa base (4 #) con 4 Perno de cabeza hexagonal/M8×1 6 (1 4 #) Se arregló el soporte (6 #) y el soporte de la bolsa superior (5 #) en el colector (3 #, 10 #) con 4 Cabeza hexagonal perno/M8×1 6 (1 4 #)</p>	

7	<p>Adjuntar Abrazadera de bolsa (n. ° 2 1) fija el filtro de polvo de la bolsa (n.° 8) y la bolsa de polvo (n.° 9) en la Colector (3# ,10#)</p>	
8	<p>Utilice el tornillo (15 #) para fijar la entrada (7 #)</p>	

El colector de polvo ya está listo para ponerse en servicio. Antes Conectándose a una fuente de alimentación, asegúrese de que la fuente de alimentación esté correctamente conectada a tierra y sea de Voltaje y amperaje adecuados.

5 PRUEBA:

Antes de poner en marcha el colector de polvo, asegúrese de tener leer y entendido el manual y tú son familiar con el Funciones y características de seguridad de la máquina . No hacer entonces puede causar lesiones personales graves.

Ejecute una prueba para asegurarse de que el colector de polvo funcione correctamente.

- Asegúrese de que todas las herramientas se retiren del trabajo. área y el Los soportes de montaje en pared son seguros.
- Enchufar el fuerza cable en el correcto receptáculo . (Referirse (Para obtener más información sobre la fuente de alimentación, consulte el párrafo "Fuente de alimentación" en esta sección del manual).
- Doblar el polvo coleccionista ENCENDIDO . (Consultar a Encendido / Apagado Cambiar párrafo en la sección **de Operación de la** manual.)
- Si nota un ruido inusual o una vibración excesiva, apague el aparato. Apague la máquina inmediatamente y desconecte el cable de la fuente de alimentación. Revise nuevamente todas las piezas ensambladas e investigue para encontrar el problema.

Si todo funciona correctamente el colector de polvo está listo para su uso.

6 FUENTE DE ENERGÍA:

Hacer no conectar polvo coleccionista a el fuerza fuente hasta todo el montaje pasos tener estado completado .

El motor es diseñado para operación en el Voltaje y frecuencia. especificada.Las cargas normales se manejarán de manera segura en voltajes que no superen o desciendan más del 10 % del voltaje especificado.

Hacer funcionar la unidad con voltajes que sean no dentro del rango puede causar calentamiento excesivo y motor agotamiento . Pesado cargas requerir eso el Voltaje en motor terminales ser No menos que el Voltaje especificado en la placa de identificación.

7 INSTRUCCIONES DE PUESTA A TIERRA:

La conexión incorrecta del conductor de puesta a tierra del equipo puede resultar en riesgo de descarga eléctrica. El equipo debe ser Conectado a tierra durante su uso para proteger al operador de descargas eléctricas.

- Consulte con un electricista calificado si no comprende la conexión a tierra. instrucciones o si tú son en duda como a si la herramienta es adecuadamente puesto a tierra .

- Este herramienta es equipado con un aprobado cable y un enchufe de 3 clavijas con conexión a tierra para su protección contra choque peligros .
- El enchufe de conexión a tierra debe enchufarse directamente a una toma de corriente adecuada. receptáculo de tipo conexión a tierra de 3 clavijas instalado y conectado a tierra .
- Hacer No quitar ni alterar la conexión a tierra diente en cualquier manera. En el evento de a Funcionamiento defectuoso o avería , puesta a tierra proporciona un camino de el menos resistencia para eléctrico choque .

No permita que los dedos toquen los terminales del enchufe al instalarlo o retirarlo del tomacorriente.

- El enchufe debe estar enchufado en un tomacorriente correspondiente que esté correctamente instalado y conectado a tierra de acuerdo con todos los códigos y ordenanzas locales. No modifique el enchufe provisto. Si no encaja en el tomacorriente, haga que un electricista calificado instale un tomacorriente adecuado.
- Inspeccionar herramienta cuerdas periódicamente , y si dañado , tener reparado por un centro de servicio autorizado.
- El conductor verde (o verde y amarillo) del cable es el cable de tierra. Si es necesario reparar o reemplazar el cable o el enchufe, no conecte el cable verde (o verde y amarillo) a un terminal con corriente.

8 CABLES DE EXTENSIÓN:

- el uso de un cable de extensión . El uso de cualquier El cable de extensión provocará alguna caída de voltaje y pérdida de energía .
- Los cables del cable de extensión deben tener el tamaño suficiente para soportar la actual y mantener adecuado Voltaje .
- Longitud del cable de extensión Arriba hasta 50 pies . Tamaño del cable hasta 14 AWG o 1,5 mm ² .
- Usar solo 3 cables extensión cuerdas que tiene 3 puntas toma de tierra tipo taponés y 3 polos receptáculos cual aceptar el herramienta enchufar .

- Si el extensión cable es gastado , cortar o dañado en cualquier forma , Reemplazar él inmediatamente .

OPERATION

1. Conecte el colector de polvo a su máquina para trabajar la madera con una manguera de 10 cm (no incluida). Es posible que necesite adaptadores según el tamaño del puerto de aspiración de su máquina.
2. Al encender el colector de polvo, el amperaje puede alcanzar un pico de hasta 80 amperios por un breve instante, lo que puede provocar una desconexión del circuito eléctrico. Asegúrese de que ambos puertos de entrada estén cubiertos antes de encender el colector de polvo. El consumo de energía será mínimo cuando no haya flujo de aire.
3. Asegúrese de que el interruptor del colector de polvo esté apagado (OFF), conecte el enchufe a un tomacorriente compatible. Luego, encienda el colector de polvo y comience a operar su máquina para trabajar la madera.
4. SUSTITUCIÓN DE LA BOLSA RECOLECTORA . Vacíe la bolsa recolectora periódicamente. Esto permitirá que el colector de polvo funcione a su máxima eficiencia.
 - Desconecte el colector de polvo de la toma de corriente. Asegúrese de usar un respirador o mascarilla antipolvo y gafas de seguridad.
 - Suelte la abrazadera del cinturón que asegura la bolsa recolectora, luego retire la bolsa del recolector.
 - Cierre bien la parte superior de la bolsa y deséchela de forma segura de acuerdo con las normas locales y federales.
 - Instale una nueva bolsa recolectora.

MAINTENANCE

MANTENIMIENTO GENERAL

Asegúrese de que la máquina esté apagada y el cable esté Desconectado de la fuente de alimentación antes de realizar cualquier mantenimiento o quitar o reemplazar cualquier componente de la máquina.

- Revise diariamente el colector de polvo para detectar pernos de montaje sueltos, tornillos, cables dañados, interruptores desgastados, bolsas de recolección llenas y cualquier otra condición insegura.

- El tornillo del impulsor puede aflojarse con el uso. Revise el impulsor mensualmente para asegurarse de que los tornillos estén bien apretados y fijados al eje.
- Para comprobarlo: Asegúrese de que la máquina esté apagada y el cable de alimentación desconectado de la fuente de alimentación. Acceda a los tornillos del impulsor a través de la tapa de entrada de la máquina y apriételos para fijar el impulsor al eje.

LIMPIEZA

Revise y vacíe la bolsa recolectora de su colector de polvo regularmente. La máquina funciona con mucha mayor eficiencia cuando la bolsa está vacía.

ALMACENAMIENTO DE MÁQUINAS

- Cuando el colector de polvo no esté en uso, desconecte el cable de la fuente de alimentación y guarde la máquina en un lugar seco.
- No exponga la máquina a la lluvia.
- Asegúrese de que el cable esté alejado de posibles fuentes de daños, como objetos afilados, productos químicos, fuentes de calor y agua.

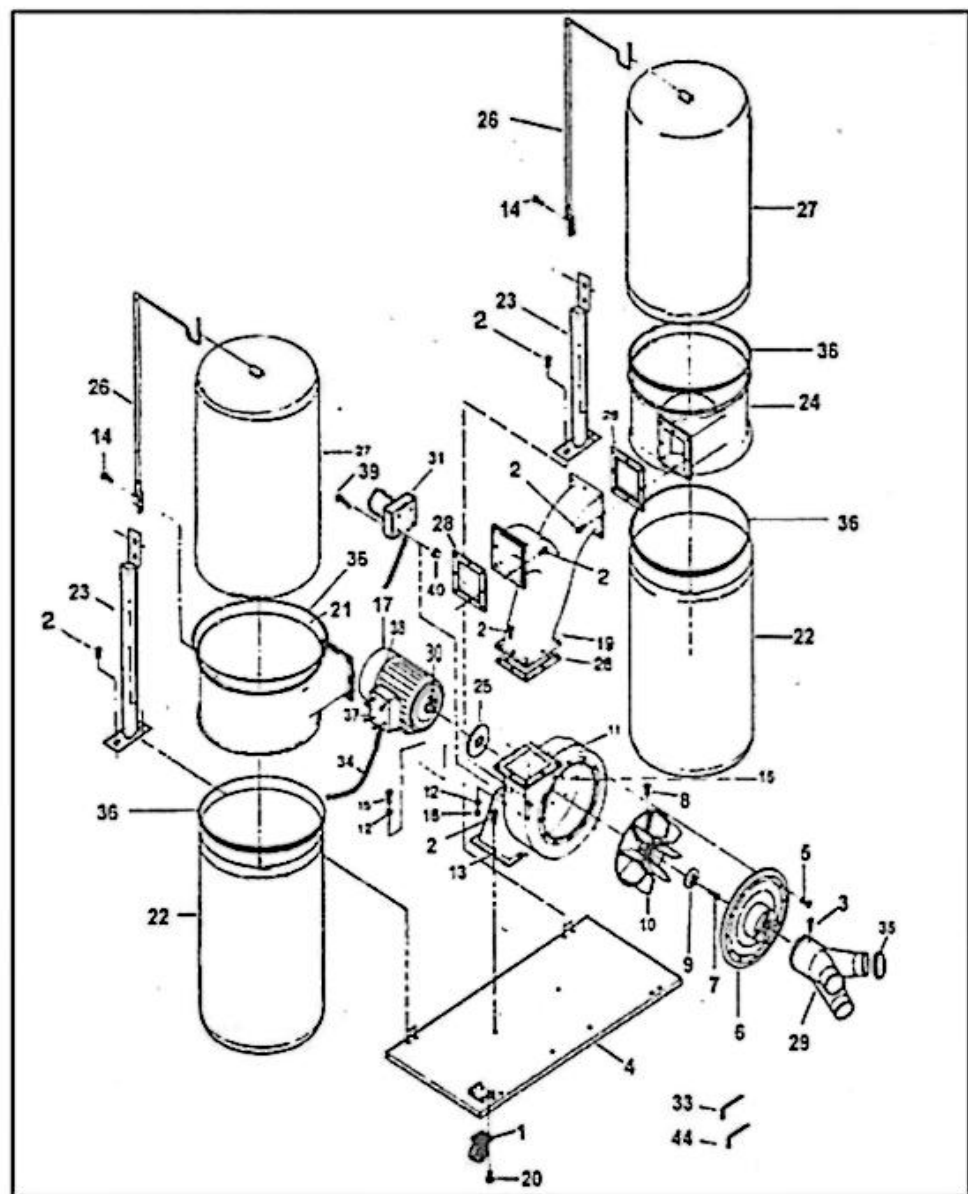
REPARACIONES DE HERRAMIENTAS

- Si el cable de alimentación está desgastado, cortado o dañado de alguna manera, hágalo reemplazado inmediatamente.
- Reemplace los abrasivos desgastados cuando sea necesario.
- Reemplace cualquier pieza dañada o faltante. Utilice la lista de piezas para Pida piezas. Cualquier intento de reparar el motor puede crear un peligro, a menos que la reparación la realice un técnico de servicio calificado.

TROUBLESHOOTING

SÍNTOMA	POSIBLES CAUSAS	ACCIÓN CORRECTIVA
Motor voluntad no comenzar	<ol style="list-style-type: none"> 1. Bajo voltaje 2. Circuito abierto en motor o suelto conexiones 3. Defectuoso cambiar 4. Defectuoso condensador 5. Cambiar llave se elimina 	<ol style="list-style-type: none"> 1. 1 . Verifique que la línea eléctrica tenga el voltaje adecuado 2. Inspeccione todas las conexiones de los cables del motor para detectar conexiones sueltas o abiertas. 3. Reemplace el interruptor 4. Reemplace el condensador 5. Inserte la llave del interruptor
El motor no arranca; hay fusibles quemados o se han disparado los disyuntores	<ol style="list-style-type: none"> 1. Cortocircuito en el cable o enchufe. 2. Cortocircuito en el motor o conexiones sueltas 3. Fusibles o disyuntores incorrectos en la línea eléctrica 	<ol style="list-style-type: none"> 1. Inspeccione el cable de alimentación o el enchufe para detectar aislamiento dañado y cables en cortocircuito. 2. Inspeccione todas las conexiones de los cables del motor para detectar terminales sueltos o en cortocircuito o aislamiento desgastado en los cables. 3. Instale fusibles o disyuntores correctos
La unidad tiene vibración o un funcionamiento ruidoso	<ol style="list-style-type: none"> 1. El motor o los componentes están sueltos. 2. El soporte del motor está suelto o roto. 3. La unidad está montada incorrectamente en la pared. 4. El ventilador del motor roza la cubierta. 5. Cojinetes del motor defectuosos 	<ol style="list-style-type: none"> 1. Inspeccione/reemplace cualquier perno o tuerca pelado o dañado y vuelva a apretarlos. 2. Apretar/reemplazar 3. Apriete o reemplace los herrajes de montaje 4. Vuelva a colocar la cubierta del ventilador; reemplace el ventilador suelto o dañado .
Fuerte, repetitivo ruido o excesivo Vibración proveniente del colector de polvo	<ol style="list-style-type: none"> 1. La bolsa recolectora de polvo está llena 2. Manguera del colector de polvo obstruida 3. La madera está mojada y el polvo no fluye suavemente por la manguera. 4. Hay una fuga en la manguera. 	<ol style="list-style-type: none"> 1. Bolsa de recolección vacía. 2. Retire la manguera de la entrada del colector de polvo y desbloquee la Restricción en la manguera. Podría ser necesario un desatascador de tuberías. 3. Procesar madera con menos del 20% de contenido de humedad. 4. Inspeccione y reemplace la manguera.
Aserrín expulsado al aire desde el colector de polvo	Las abrazaderas de la manguera o la bolsa recolectora de polvo no están sujetadas ni aseguradas correctamente.	Revise la manguera y la bolsa recolectora de polvo, asegúrese de que las abrazaderas de la manguera y la bolsa estén apretadas y completamente sobre la manguera y la bolsa.

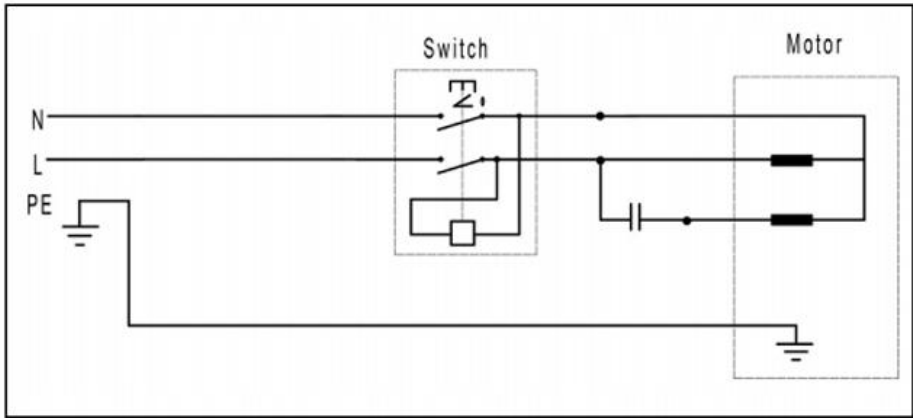
WIRING DIAGRAM



LISTA DE PIEZAS

Número de pieza	Descripción	Número de pieza	Descripción
1	CASTOR	21	COLECTOR IZQUIERDO
2	TORNILLO	22	BOLSA DE COLECCIÓN
3	TORNILLO	23	APOYO AL COLECCIONISTA
4	PLACA BASE	24	COLECCIONISTA DE DERECHOS
5	TORNILLO	25	ARANDELA
6	ENTRADA	26	SOPORTE DE BOLSA SUPERIOR
7	TORNILLO	27	BOLSA DE FILTRO
8	TORNILLO HEXAGONAL	28	EMBALAJE
9	ARANDELA	29	ENTRADA
10	TURBO VENTILADOR	30	LLAVE
11	COLECCIONISTA	31	CAMBIAR
12	ARANDELA	33	LLAVE HEXAGONAL
13	BASE DEL MOTOR	34	CABLE
14	TORNILLO HEXAGONAL	35	TAPA
15	TORNILLO HEXAGONAL	36	ABRAZADERA PARA BOLSAS
16	BQLT	37	CAJA DE INTERRUPTORES
17	MOTOR	38	TORNILLO DE CABEZA
18	TUERCA	39	TORNILLO
19	CONECTOR	44	LLAVE INGLESA
20	TORNILLO		

CIRCUIT DIAGRAM



Advertencia: Para reducir el riesgo de lesiones, el usuario debe leer atentamente el manual de instrucciones.



Este producto está sujeto a la Directiva Europea 2012/19/CE. El símbolo de un contenedor de basura tachado indica que el producto requiere recogida selectiva en la Unión Europea. Esto aplica al producto y a todos los accesorios marcados con este símbolo. Los productos marcados con este símbolo no pueden desecharse con la basura doméstica normal, sino que deben llevarse a un punto de recogida para el reciclaje de aparatos eléctricos y electrónicos.



VEVOR

Affordable. Reliable. Home Improvement.

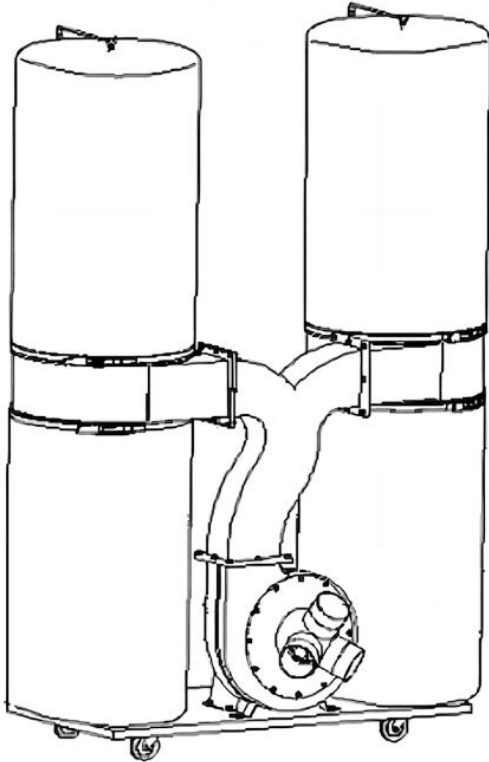
ODKURZACZ

MODEL: DC20003

VEVOR

Affordable. Reliable. Home Improvement.

MODEL: DC20003



Please scan the QR code to watch the video code on how to install it.

To jest oryginalna instrukcja obsługi. Przed użyciem prosimy o dokładne zapoznanie się z treścią instrukcji. Firma VEVOR zastrzega sobie prawo do jednoznacznej interpretacji niniejszej instrukcji obsługi. Wygląd produktu zależy od stanu, w jakim go otrzymali Państwo. Prosimy o wyrozumiałość, ale nie będziemy Państwa ponownie informować o aktualizacjach technologicznych lub oprogramowania naszego produktu.

SAFETY RULES

1. Przeczytaj i zapoznaj się z całą instrukcją obsługi.
2. Utrzymuj osłony i pokrywy na swoim miejscu i w dobrym stanie technicznym.
3. Zawsze używaj okularów ochronnych, a w przypadku cięcia również maski na twarz lub maski przeciwpyłowej. Operacje są zakurzone. Okulary przeciwsłoneczne codziennego użytku mają wyłącznie soczewki odporne na uderzenia ; nie są to okulary ochronne.
4. Utrzymuj miejsce pracy w czystości. Zagrazone miejsca i stoły zapraszają wypadki.
5. Nie używaj narzędzi na siłę. Urządzenie wykona pracę lepiej i bezpieczniej, jeśli będzie działać w tempie, do którego zostało zaprojektowane.
6. Unikaj przypadkowego uruchomienia. Przed podłączeniem przewodu upewnij się, że przełącznik jest w pozycji „wyłączony”.
7. Nie wychylaj się za bardzo. Zawsze dbaj o równowagę i stabilność. Dla optymalnego podparcia noś obuwie z gumową podeszwą. Utrzymuj podłogę w czystości, unikając oleju, resztek drewna itp.
8. Noś odpowiedni strój. Luźne ubrania lub biżuteria mogą zostać wciągnięte przez ruchome części. Noś ochronne nakrycie głowy, aby zabezpieczyć długie włosy.
9. Zabezpiecz warsztat przed dziećmi. Załóż kłódkę na przełącznik, gdy piła tarczowa nie jest używana i przechowuj klucz w bezpiecznym miejscu.
10. Wyjmij klucze regulacyjne i nasadki. Wyrób w sobie nawyk sprawdzania, czy klucze regulacyjne i nasadki zostały wyjęte z narzędzia przed jego uruchomieniem.
11. Unikaj niebezpiecznych warunków . Nie używaj elektronarzędzi w

- wilgotnych lub mokrych miejscach. Dbaj o dobre oświetlenie miejsca pracy . Nie należy używać urządzenia w atmosferach wybuchowych (w pobliżu farb, łatwopalnych cieczy itp.)
12. Trzymaj dzieci z dala. Wszyscy goście powinni znajdować się w bezpiecznej odległości od miejsca pracy, szczególnie podczas obsługi urządzenia.
 13. Używaj właściwego narzędzia. Nie używaj narzędzia ani osprzętu na siłę do pracy, do której nie zostało zaprojektowane.
 14. Utrzymuj narzędzia w doskonałym stanie. Dbaj o to, aby narzędzia były ostre i czyste, aby zapewnić optymalną i bezpieczną pracę. Postępuj zgodnie z instrukcjami dotyczącymi smarowania i wymiany akcesoriów.
 15. Zabezpieczaj pracę. Używaj zacisków lub imadła do mocowania obrabianego przedmiotu, jeśli to możliwe. Jest to bezpieczniejsze niż trzymanie ręczne i zapobiega obracaniu się okrągłych lub nieregularnych elementów.
 16. Sprawdź uszkodzone części. Przed ponownym użyciem narzędzia należy sprawdzić osłonę lub inną uszkodzoną część, aby upewnić się, że będzie działać prawidłowo i spełniać swoją funkcję . Sprawdź wyrównanie ruchomych części, pęknięcia części, mocowania i wszelkie inne warunki, które mogą mieć wpływ na jego działanie . Uszkodzoną osłonę lub inną część należy odpowiednio naprawić lub wymienić .
 17. Używaj zalecanych akcesoriów – zapoznaj się z instrukcją obsługi. Używanie niewłaściwych akcesoriów może być niebezpieczne.
 18. Nigdy nie stawaj na narzędziu. Upadek może spowodować obrażenia.
 19. Nigdy nie pozostawiaj włączonego narzędzia bez nadzoru.
 20. Podczas regulacji, wymiany części lub pracy z narzędziem zawsze wyjmuj wtyczkę przewodu zasilającego z gniazdka elektrycznego.
 21. Zawsze wyjmuj wtyczkę przewodu zasilającego z gniazdka

elektrycznego podczas regulacji, wymiany części lub pracy z narzędziem.

SPECIFIC SAFETY INSTRUCTIONS

Przed użyciem odpylacza należy przeczytać i zrozumieć instrukcję obsługi. Podczas użytkowania odpylacza należy zawsze przestrzegać podstawowych środków ostrożności wymienionych poniżej, aby zmniejszyć ryzyko obrażeń, porażenia prądem elektrycznym lub pożaru.

1. Ten odpylacz jest przeznaczony wyłącznie do zbierania pyłu drzewnego i wiórów z maszyn do obróbki drewna. Nie używaj odpylacza do niczego innego niż pył drzewny. Materiały takie jak płyny, aerozole, pył metalowy, śruby, szkło, plastik lub kamień mogą powodować iskrzenie w kontakcie z dowolną częścią systemu zbierania.
2. Nigdy nie dopuść do kontaktu stali z wirnikiem. Uderzenie twardym materiałem może spowodować iskrzenie, które może spowodować pożar. Zachowaj ostrożność w sytuacjach, które mogą stwarzać ryzyko pożaru.
3. Pył powstający podczas użytkowania maszyn może powodować raka, wady wrodzone lub długotrwałe uszkodzenia układu oddechowego. Należy być świadomym zagrożeń związanych z pyłem związanym z każdym materiałem obrabianym i zawsze nosić maskę oddechową zatwierdzoną przez NIOSH.
4. Nie zbliżaj rąk, przedmiotów ani narzędzi do otworu wlotowego, gdy maszyna jest podłączona do prądu lub w trakcie pracy. Trzymaj zwierzęta i dzieci z dala od otwartych otworów wlotowych systemu odpylania.
5. Regularnie sprawdzaj i opróżniaj worek zbiorczy, aby uniknąć gromadzenia się drobnego pyłu, który może zwiększać ryzyko

pożaru. Regularnie czyść otoczenie urządzenia. Nadmierne gromadzenie się kurzu na źródłach ciepła, takich jak oświetlenie sufitowe i panele elektryczne, zwiększa ryzyko pożaru.

6. Podczas wyjmowania, opróżniania lub wymiany worka zbiorczego zawsze należy nosić maskę oddechową i okulary ochronne. Wysyp pyłu z dala od źródeł zapłonu i do odpowiedniego pojemnika.
7. Zawsze podłączaj odpylacz do odpowiedniego źródła zasilania.

WAŻNE : Zawsze bierz pod uwagę bezpieczeństwo w pierwszej kolejności, ponieważ dotyczy ono Twojej osoby. pracujący warunki , środowisko W każdy sklep jest inny.

ZACHOWAJ WSZYSTKIE OSTRZEŻENIA I INSTRUKCJE NA PRZYSZŁOŚĆ ODNIESIENIE .

TECHNICAL DATA

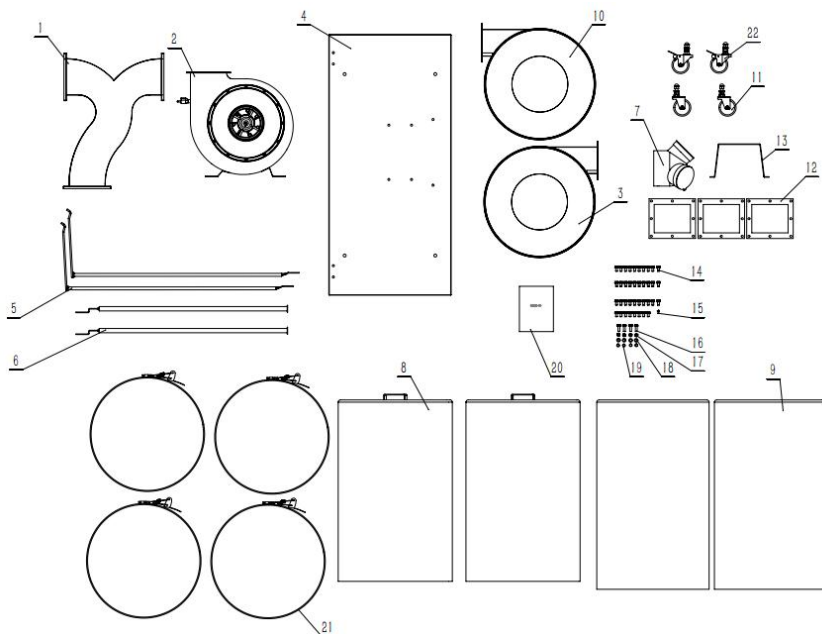
Moc silnika	3 KM/2200 W
Średnica wlotu	4 cale/100 mm x 3
Średnica wentylatora	12 cali/305 mm
Pojemność worka (metry sześciennie)	42*2 galony
Pojemność zbioru (metry sześciennie/godz.)	1550 stóp sześciennych na minutę (2600 m ³ /h)
Złącze węża:	100 mm
Wymiary całkowite (dł. x szer. x wys.)	1440 x 730 x 2000 mm
Wymiary opakowania (dł. x szer. x wys.)	1220 x 620 x 635 mm

ASSEMBLY

Rozpakowanie i sprawdzenie zawartości

Sprawdź, czy nie doszło do uszkodzeń podczas transportu. Natychmiast

sprawdź, czy wszystkie części zostały dostarczone. i akcesoria są dołączone. Jeśli cokolwiek jest brakuje lub Jeśli jest uszkodzony, skontaktuj się ze sprzedawcą .



NIE.	Opis	Ilość	NIE.	Opis	Ilość
1	Złącze	1	12	Uszczelka	3
2	Korpus kolektora i zespół wentylatora/silnika	1	13	Podstawa silnika	1
3	Lewy kolektor	1	14	Śruba z łbem sześciokątnym/M8×1 6	3 8
4	Płyta podstawowa	1	15	Śruba/M5×10	1
5	Podparcie górnej torby	2	16	Śruba z łbem sześciokątnym /M8×25	4
6	Wsparcie	2	17	Nakrętka/M8	4
7	Wlot	1	18	podkładka płaska/8	4
8	Filtr workowy przeciwpylowy	3	19	Podkładka sprężysta/8	4

9	Worek przeciwkurzowy	4	20	Instrukcje	1
10	Prawy kolekcjoner	2	21	Zacisk do worków	4
11	Koło	2	22	Koła hamulcowe	2

1 Podłączenie elektryczne

- Silnik pracuje na szyldzie. Przewód musi mieć przekrój co najmniej 1,0 mm. W przypadku wystąpienia usterki należy natychmiast wyjąć wtyczkę z gniazdka. Następnie należy sprawdzić maszynę i usunąć wszelkie usterki.

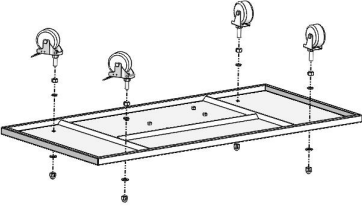
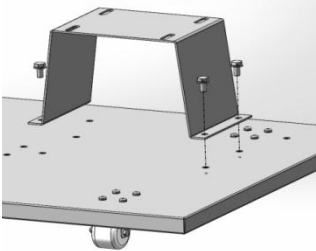
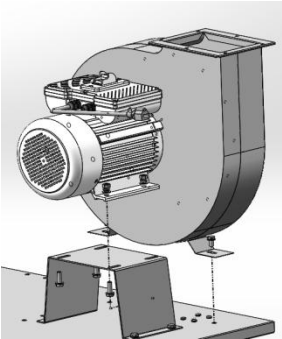
2 Ogólne

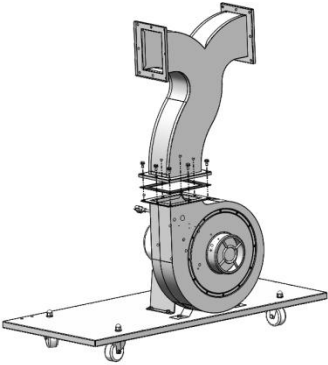
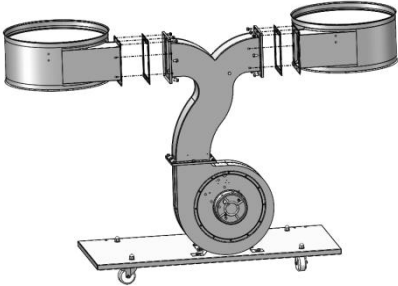
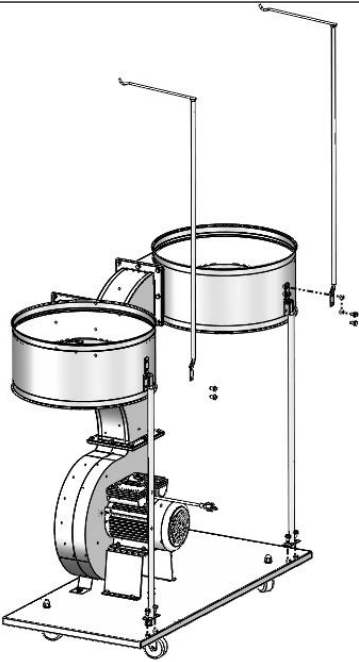
- Nie wciągaj do kolektora kawałków metalu, dużych bloków drewna ani kawałków listew.
- Używaj wyłącznie akcesoriów przeznaczonych do DC20001 .

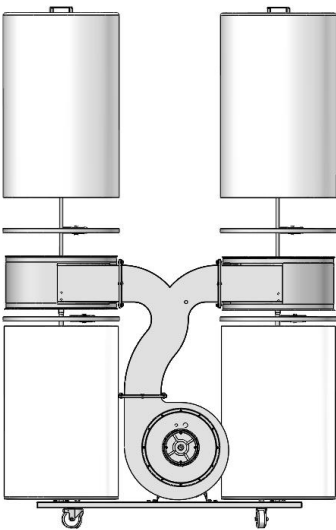
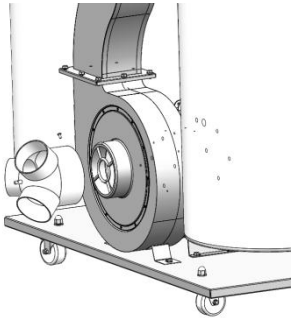
3 Czyszczenie

- Odpylacz należy czyścić przy każdej wymianie worka zbiorczego.
- Uszkodzone filtry i worki należy natychmiast wymienić, aby zminimalizować rozprzestrzenianie się pyłu w miejscu pracy.

4 Montaż

1	<p>Aby złożyć, należy najpierw odwrócić płytę podstawy i przymocować cztery kółka (11,22#) do otworów przeznaczonych do tego celu i dokręcić kluczem.</p>	
2	<p>Przymocuj podstawę silnika (1 3 #) do płyty bazowej (4 #) za pomocą 4 śrub z łbem sześciokątnym/M8×1 6 (1 4 #)</p>	
3	<p>Zamontuj korpus kolektora i zespół wentylatora/silnika (2 szt.) za pomocą 4 śrub z łbem sześciokątnym /M8×25 i 4 płaskie podkładki/8 (16 #) + 4 płaskie podkładki/8 (18 #), 4 podkładki sprężyste /8 (19 #) i 4 nakrętki M8 (17 #) do podstawy silnika (1 3 #) Przymocuj korpus kolektora i zespół wentylatora/silnika (2 szt.) do płyty bazowej (4 szt.) za pomocą śruby z łbem sześciokątnym/M8×1 6 (1 4 szt.)</p>	

4	<p>Zamontuj uszczelkę (1 2 #) i łącznik (1 #) do korpusu kolektora montaż (2 szt.) przy użyciu 8 śrub z łbem sześciokątnym/M8×1 6 (1 4 szt.) .</p>	
5	<p>Zamontuj lewy kolektor (3 #) , prawy kolektor (1 0 #) i dwa uszczelnienia (1 2 #) na wylocie korpusu kolektora . montaż (2 szt.) używając śruby z łbem sześciokątnym 16 /M8×1 6 (1 4 #) .</p>	
6	<p>Przymocuj wspornik (6 #) do płyty bazowej (4 #) za pomocą 4 śrub Śruba z łbem sześciokątnym/M8×1 6 (1 4 #) Naprawiono wspornik (6 #) i górny wspornik worka (5 #) na kolektorze (3 #, 10 #) za pomocą 4 Sześciokątny śruba/M8×1 6 (1 4 #)</p>	

7	<p>Przytwierdzać Zacisk worka (2 1 #) mocuje filtr przeciwpyłowy worka (8#) i worek przeciwpyłowy (9 #) na Kolekcjoner (3 # ,10#)</p>	
8	<p>Użyj śruby (15 #) do naprawy wlotu (7 #)</p>	

Odpylacz jest teraz gotowy do uruchomienia. Przed łączenie z źródło zasilania, upewnij się, że źródło zasilania jest prawidłowo uziemione i ma właściwe napięcie i natężenie prądu.

5 TEST:

Przed uruchomieniem odpylacza należy upewnić się, że: Posiadać Czytać i zrozumiałem ten podręcznik I Ty Czy znajomy z ten funkcje i zabezpieczenia maszyny . Niewykonanie Więc móc spowodować poważne obrażenia ciała.

Przeprowadź test, aby upewnić się, że odpylacz działa prawidłowo.

- Upewnij się, że wszystkie narzędzia zostały usunięte z miejsca pracy obszar i uchwyty do montażu na ścianie są bezpieczne.

- Wtyczka ten moc sznur do ten prawidłowy gniazdo . (Wspominać (Do źródła zasilania patrz akapit w tej sekcji podręcznika.)
 - Zakręt ten pył kolektor WŁ . (Odnieś się do Do Włącz / Wyłącz Zmień akapit w dziale **operacyjnym** podręcznik.)
 - W przypadku zauważenia nietypowego hałasu lub nadmiernych wibracji należy wyłączyć urządzenie. Natychmiast wyłącz urządzenie i odłącz przewód zasilający. Sprawdź ponownie wszystkie zmontowane części i zbadaj przyczynę problemu.
- Jeżeli wszystko działa prawidłowo, odpylacz jest gotowy do użycia.

6 ŹRÓDŁO ZASILANIA:

Do nie łączyć pył kolektor Do ten moc źródło dopóki cały montaż kroki Posiadać został ukończony .

Ten silnik Jest zaprojektowany Do działanie NA ten volтаж I częstotliwość. określona. Obciążenia normalne będą bezpiecznie obsługiwane przy napięciach nie większych niż 10% powyżej lub poniżej określonego napięcia.

Uruchamianie urządzenia przy napięciu , które jest nie w ciągu zakres może powodować przegrzanie I silnik wypalenie . Ciężki masa wymagać To ten volтаж Na silnik terminale Być NIE mniej niż ten napięcie podane na tabliczce znamionowej.

7 INSTRUKCJA UZIEMIENIA:

Nieprawidłowe podłączenie przewodu uziemiającego urządzenia może spowodować ryzyko porażenia prądem. Sprzęt powinien być uziemiony podczas użytkowania w celu ochrony operatora przed porażeniem prądem

- Jeśli nie rozumiesz zasad uziemienia , skonsultuj się z wykwalifikowanym elektrykiem instrukcje Lub Jeśli Ty Czy W wątpliwość Jak Do czy narzędzie Jest odpowiednio uziemiony .
- Ten narzędzie Jest wyposażony z jakiś zatwierdzony sznur i wtyczkę z uziemieniem z trzema bolcami dla Twojego bezpieczeństwa przeciwko zaszokować zagrożenia .
- Wtyczkę uziemiającą należy podłączyć bezpośrednio do prawidłowo zainstalowane i uziemione gniazdko z uziemieniem 3-bolcowym .

- Do nie usuwać ani nie zmieniać uziemienia zęb W każdy sposób. W wydarzenie z A awaria Lub awaria , uziemienie zapewnia ścieżka z najmniej opór Do elektryczny szok .

Podczas podłączania lub odłączania wtyczki od gniazdka nie należy dotykać jej zacisków palcami.

- Wtyczkę należy podłączyć do odpowiedniego gniazdka, które jest prawidłowo zainstalowane i uziemione zgodnie z lokalnymi przepisami i rozporządzeniami. Nie należy modyfikować dołączonej wtyczki. Jeśli wtyczka nie pasuje do gniazdka, należy zlecić instalację odpowiedniego gniazdka wykwalifikowanemu elektrykowi.
- Sprawdzać narzędzie spodnie sztruksowe okresowo i Jeśli uszkodzony , Posiadać naprawić w autoryzowanym serwisie.
- Zielony (lub zielono-żółty) przewód w kablu jest przewodem uziemającym. W razie konieczności naprawy lub wymiany przewodu elektrycznego lub wtyczki, nie należy podłączać zielonego (lub zielono-żółtego) przewodu do zacisku pod napięciem.

8 PRZEDŁUŻACZE:

- używania przedłużacza . Używanie jakiegokolwiek przedłużacza Przedłużacz może spowodować spadek napięcia i utratę mocy .
- Przewody przedłużacza muszą mieć wystarczającą średnicę, aby przenosić aktualny I utrzymywać odpowiedni napięcie .
- Długość przedłużacza w górę do 50 stóp . Rozmiar przewodu do 14 AWG lub 1,5 mm² .
- Używać tylko 3- żyłowy rozszerzenie spodnie sztruksowe mający 3- zęby grunt typ buble i 3- biegunowe pojemniki Który przyjąć ten narzędzie wtyczka .
- Jeśli ten rozszerzenie sznur Jest noszony , cięcie Lub uszkodzony W każdy sposób , Zastępować To natychmiast .

OPERATION

1. Podłącz odpylacz do maszyny do obróbki drewna za pomocą 4-calowego węża odpylającego (brak w zestawie). W zależności od rozmiaru otworu odpylającego maszyny, mogą być potrzebne adaptery.
2. Podczas uruchamiania odpylacza, natężenie prądu może chwilowo wzrosnąć do 80 A, co grozi przerwaniem obwodu elektrycznego. Przed uruchomieniem odpylacza należy upewnić się, że oba otwory wlotowe są zakryte. Najmniejszy pobór prądu będzie miał miejsce, gdy nie ma przepływu powietrza.
3. Upewniając się, że wyłącznik odpylacza jest w pozycji WYŁĄCZONY, podłącz wtyczkę zasilania do odpowiedniego gniazdka. Następnie włącz odpylacz i rozpocznij pracę z maszyną do obróbki drewna.
4. WYMIANA WORKA ZBIERAJĄCEGO . Regularnie opróżniaj worek zbierający. Pozwoli to na pracę odpylacza z maksymalną wydajnością.
 - Odłącz odpylacz od gniazdka elektrycznego. Upewnij się, że nosisz respirator lub maskę przeciwpyłową oraz okulary ochronne.
 - Zwolnij zacisk paska mocujący worek zbiorczy, a następnie wyjmij worek z pojemnika.
 - Zamknij szczelnie górną część torby i wyrzuć ją bezpiecznie, zgodnie z lokalnymi i federalnymi normami.
 - Załóż nowy worek zbiorczy.

MAINTENANCE

OGÓLNA KONSERWACJA

Upewnij się, że urządzenie jest wyłączone i przewód jest podłączony. Przed przystąpieniem do serwisowania lub demontażu/wymiany jakichkolwiek podzespołów maszyny należy odłączyć ją od źródła zasilania.

- Codziennie sprawdzaj, czy w odpylaczu nie ma luźnych śrub mocujących, wkrętów, uszkodzonych przewodów, zużytego przełącznika, pełnego worka i innych niebezpiecznych elementów.

- Śruba wirnika może się poluzować podczas użytkowania. Sprawdzaj wirnik raz w miesiącu, aby upewnić się, że śruby wirnika są dobrze dokręcone i dobrze zamocowane na wale.
- Aby sprawdzić: Upewnij się, że urządzenie jest wyłączone, a przewód zasilający jest odłączony od źródła zasilania. Odkręć śruby wirnika przez pokrywę wlotową urządzenia i dokręć je, aby zamocować wirnik na wale.

CZYSZCZENIE

Regularnie sprawdzaj i opróżniaj worek zbiorczy w odpylaczu. Urządzenie pracuje znacznie wydajniej, gdy worek zbiorczy jest pusty.

MAGAZYN MASZYN

- Jeśli odkurzacz nie jest używany, należy odłączyć przewód zasilający. Odłącz urządzenie od źródła zasilania i przechowuj je w suchym miejscu.
- Nie wystawiać urządzenia na działanie deszczu.
- Upewnij się, że przewód jest trzymany z dala od potencjalnych źródeł uszkodzeń, takich jak: ostre przedmioty, środki chemiczne, źródła ciepła i woda.

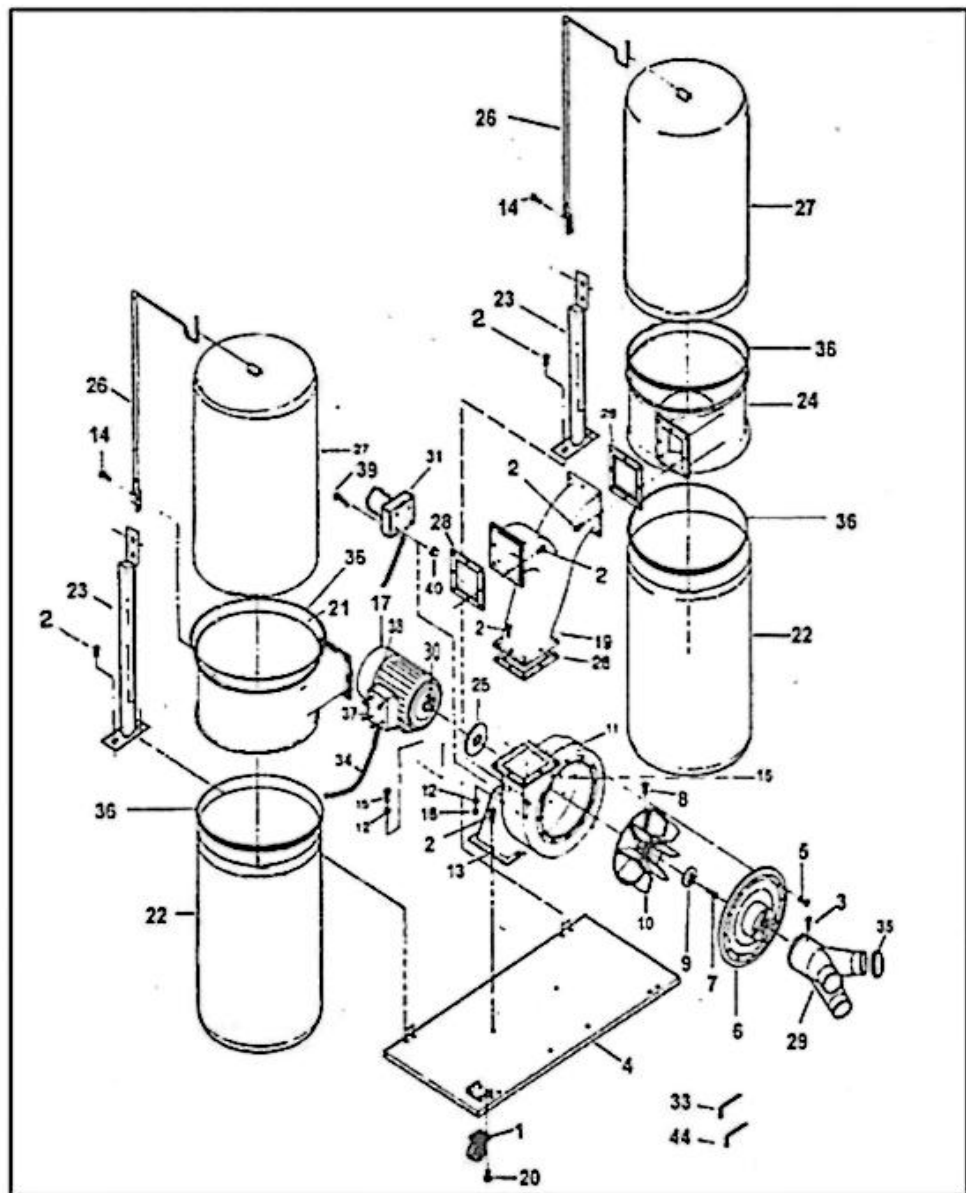
NAPRAWA NARZĘDZI

- Jeśli przewód zasilający jest zużyty, przecięty lub w jakikolwiek sposób uszkodzony, należy go oddać do naprawy. zastąpiony natychmiast.
- W razie potrzeby wymień zużyte materiały ściernie.
- Wymień wszystkie uszkodzone lub brakujące części. Użyj listy części, aby Zamów części. Każda próba naprawy silnika może spowodować zagrożenie. chyba że naprawa zostanie wykonana przez wykwalifikowanego technika serwisowego.

TROUBLESHOOTING

OBJAW	MOŻLIWE PRZYCZYNY	DZIAŁANIE NAPRAWCZE
Silnik będzie nie start	<ol style="list-style-type: none"> 1. Niskie napięcie 2. Obwód otwarty W silnik lub luźny znajomości 3. Wadliwy przełącznik 4. Wadliwy kondensator 5. Przełącznik klawisz jest usuwany 	<ol style="list-style-type: none"> 1. 1. Sprawdź, czy linia energetyczna ma prawidłowe napięcie 2. Sprawdź wszystkie połączenia przewodów na silniku pod kątem luźnych lub otwartych połączeń. 3. Wymień przełącznik 4. Wymień kondensator 5. Włóż kluczyk do stacyjki
Silnik nie uruchamia się; przepalane bezpieczniki lub wyłączane wyłączniki obwodu	<ol style="list-style-type: none"> 1. Zwarcie przewodu lub wtyczki 2. Zwarcie w silniku lub luźne połączenia 3. Nieprawidłowe bezpieczniki lub wyłączniki w linii zasilającej 	<ol style="list-style-type: none"> 1. Sprawdź przewód zasilający lub wtyczkę pod kątem uszkodzonej izolacji i zwarcia przewodów. 2. Sprawdź wszystkie połączenia przewodów silnika pod kątem luźnych lub zwartych zacisków lub zużytej izolacji na przewodach. 3. Zainstaluj odpowiednie bezpieczniki lub wyłączniki automatyczne
Urządzenie ma wibracje lub pracuje głośno	<ol style="list-style-type: none"> 1. Silnik lub jego elementy są luźne 2. Mocowanie silnika jest luźne/uszkodzone 3. Jednostka jest nieprawidłowo zamontowana na ścianie 4. Wentylator silnika ociera się o pokrywę 5. Uszkodzone łożyska silnika 	<ol style="list-style-type: none"> 1. Sprawdź/wymień wszystkie zerwane lub uszkodzone śruby/nakrętki i dokręć je ponownie. 2. Dokręć/wymień 3. Dokręć/wymień elementy montażowe 4. Załóż pokrywę wentylatora; wymień poluzowany/uszkodzony wentylator .
Głośno, powtarzalnie hałas lub nadmierny wibracje pochodzące z odpylacza	<ol style="list-style-type: none"> 1. Worek na kurz jest pełny 2. Przeciążony wąż odpylacza 3. Drewno jest mokre i kurz nie przepływa swobodnie przez wąż 4. W wężu jest nieszczelność 	<ol style="list-style-type: none"> 1. Opróżnij worek zbiorczy. 2. Odłącz wąż od wlotu odpylacza i odblokuj Ograniczenie w wężu. Może być konieczne użycie węża hydraulicznego. 3. Przetwarzaj drewno o zawartości wilgoci mniejszej niż 20%. 4. Sprawdź i wymień wąż.
Trociny wydychywane do powietrza z odpylacza	Opaski zaciskowe lub worek na kurz nie są odpowiednio zaciśnięte i zabezpieczone.	Sprawdź wąż i worek na kurz, upewnij się, że zaciski węża i worka są dobrze zaciśnięte i całkowicie obejmują wąż i worek.

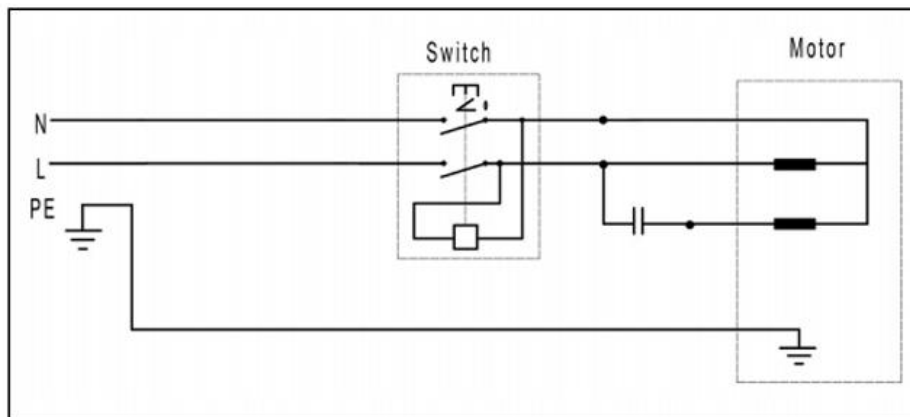
WIRING DIAGRAM



LISTA CZĘŚCI

Numer części	Opis	Numer części	Opis
1	ODLEWNIK	21	LEWY KOLEKTOR
2	ŚRUBA	22	TORBA KOLEKCJONERSKA
3	ŚRUBA	23	WSPARCIE KOLEKCJONERSKIE
4	PŁYTA PODSTAWOWA	24	PRAWY KOLEKCJONER
5	ŚRUBA	25	PRALKA
6	WLOT	26	WSPORNIK GÓRNEJ TORBY
7	ŚRUBA	27	TOREBKA FILTRUJĄCA
8	ŚRUBA SZEŚCIOKĄTNA	28	USZCZELKA
9	PRALKA	29	WLOT
10	WENTYLATOR TURBO	30	KLAWISZ
11	KOLEKTOR	31	PRZEŁĄCZNIK
12	PRALKA	33	KLUCZ SZEŚCIOKĄTNY
13	PODSTAWA SILNIKA	34	KABEL
14	ŚRUBA SZEŚCIOKĄTNA	35	CZAPKA
15	ŚRUBA SZEŚCIOKĄTNA	36	ZACISK DO TOREBEK
16	BQLT	37	SKRZYNKA ROZDZIELCZA
17	SILNIK	38	ŚRUBA GŁÓWNA
18	NAKRĘTKA	39	ŚRUBA
19	ZŁĄCZE	44	KLUCZ
20	ŚRUBA		

CIRCUIT DIAGRAM



Ostrzeżenie: Aby zminimalizować ryzyko obrażeń, użytkownik powinien uważnie przeczytać instrukcję obsługi.



Niniejszy produkt podlega przepisom Dyrektywy Europejskiej 2012/19/WE. Symbol przedstawiający przekreślony kosz na śmieci na kółkach oznacza, że produkt wymaga selektywnej zbiórki odpadów w Unii Europejskiej. Dotyczy to produktu i wszystkich akcesoriów oznaczonych tym symbolem.

Produktów oznaczonych tym symbolem nie można wyrzucać razem ze zwykłymi odpadami domowymi, lecz należy je dostarczyć do punktu zbiórki urządzeń elektrycznych i elektronicznych przeznaczonych do recyklingu.



VEVOR

Affordable. Reliable. Home Improvement.

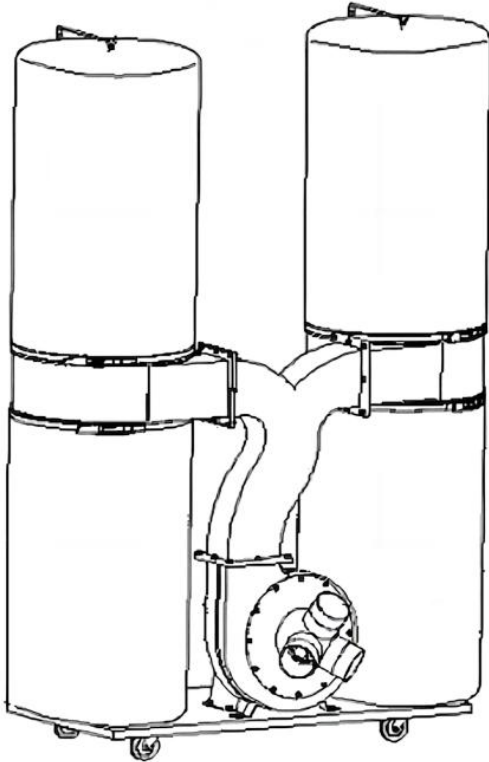
STOFAFZUIGER

MODEL: DC20003

VEVOR

Affordable. Reliable. Home Improvement.

MODEL: DC20003



Please scan the QR code to watch the video code on how to install it.

Dit is de originele handleiding. Lees alle instructies zorgvuldig door voordat u het product gebruikt. VEVOR behoudt zich het recht voor om de gebruiksaanwijzing duidelijk te interpreteren. Het uiterlijk van het product is afhankelijk van het product dat u hebt ontvangen. Neemt u het ons niet kwalijk dat we u niet meer op de hoogte stellen van eventuele technologische of software-updates voor ons product.

SAFETY RULES

1. Lees de volledige gebruiksaanwijzing en zorg dat u ermee vertrouwd bent.
2. Zorg ervoor dat de beschermkappen en afdekkingen op hun plaats zitten en goed werken.
3. Draag altijd een veiligheidsbril en draag ook een gezichts- of stofmasker als u gaat snijden. Werkzaamheden zijn stoffig. Dagelijkse brillen hebben alleen stootvaste lenzen ; het zijn geen veiligheidsbrillen.
4. Houd de werkplek schoon. Rommelige plekken en banken ongelukken veroorzaken.
5. Forceer het gereedschap niet. Het werkt beter en veiliger met de snelheid waarvoor het is ontworpen.
6. Voorkom onbedoeld starten. Zorg ervoor dat de schakelaar in de uit-stand staat voordat u de stekker in het stopcontact steekt.
7. Reik niet te ver. Zorg te allen tijde voor een goede houding en evenwicht. Draag schoenen met rubberen zolen voor een optimale grip. Houd de vloer vrij van olie, restjes hout, enz.
8. Draag geschikte kleding. Losse kleding of sieraden kunnen vast komen te zitten in bewegende delen. Draag een beschermende haarbedekking om lang haar te beschermen.
9. Maak de werkplaats kindveilig. Plaats een hangslot op de schakelaar wanneer de zaag niet in gebruik is en bewaar de sleutel op een veilige plaats.
10. Verwijder sleutels en moersleutels. Maak er een gewoonte van om te controleren of sleutels en moersleutels uit het gereedschap zijn verwijderd voordat u het inschakelt.
11. Vermijd gevaarlijke omgevingen . Gebruik geen elektrisch gereedschap in vochtige of natte ruimtes. Zorg ervoor dat uw werkruimte goed verlicht

- is . Niet gebruiken in explosieve atmosferen (in de buurt van verf, brandbare vloeistoffen, enz.)
12. Houd kinderen uit de buurt. Alle bezoekers moeten op veilige afstand van het werkgebied worden gehouden , vooral tijdens het bedienen van de unit.
 13. Gebruik het juiste gereedschap. Forceer het gereedschap of hulpstuk niet om een taak uit te voeren waarvoor het niet is ontworpen.
 14. Houd gereedschap in topconditie. Houd gereedschap scherp en schoon voor de beste en veiligste prestaties. Volg de instructies voor het smeren en vervangen van accessoires.
 15. Zet het werk vast. Gebruik indien mogelijk klemmen of een bankschroef om het werk vast te zetten. Dit is veiliger dan met de hand en voorkomt dat ronde of onregelmatig gevormde stukken gaan draaien.
 16. Controleer beschadigde onderdelen. Voordat u het gereedschap verder gebruikt, moet u een beschadigde beschermkap of ander onderdeel controleren om er zeker van te zijn dat het goed werkt en de beoogde functie vervult . Controleer de uitlijning van bewegende onderdelen, breuk van onderdelen, montage en alle andere omstandigheden die de werking kunnen beïnvloeden . Een beschadigde beschermkap of ander onderdeel moet vakkundig worden gerepareerd of vervangen.
 17. Gebruik de aanbevolen accessoires - raadpleeg de handleiding. Het gebruik van ongeschikte accessoires kan gevaarlijk zijn.
 18. Ga nooit op het gereedschap staan. Een val kan letsel veroorzaken .
 19. Laat het gereedschap nooit onbeheerd en draaiend achter.
 20. Haal altijd de stekker uit het stopcontact wanneer u het gereedschap aanpast, onderdelen vervangt of aan het gereedschap werkt.
 21. Haal altijd de stekker uit het stopcontact wanneer u het gereedschap aanpast, onderdelen vervangt of aan het gereedschap werkt.

SPECIFIC SAFETY INSTRUCTIONS

Lees en begrijp de gebruiksaanwijzing voordat u de stofafzuiger gebruikt. De onderstaande basisvoorzorgsmaatregelen moeten altijd worden gevolgd bij het gebruik van uw stofafzuiger om het risico op letsel, elektrische schokken of brand te verminderen.

1. Deze stofafzuiger is uitsluitend bedoeld voor het opvangen van houtstof en houtsnippers van houtbewerkingsmachines. Gebruik de stofafzuiger uitsluitend voor houtstof. Materialen zoals vloeistoffen, spuitbussen, metaalstof, schroeven, glas, plastic of steen kunnen vonken veroorzaken bij contact met enig deel van het verzamelsysteem.
2. Laat staal nooit in contact komen met de waaier. Stoot met hard materiaal kan vonken veroorzaken die brand kunnen veroorzaken. Wees alert op situaties die brandgevaar opleveren.
3. Stof dat ontstaat bij het gebruik van machines kan kanker, geboorteafwijkingen of langdurige ademhalings schade veroorzaken. Wees u bewust van de stofgevaaren die gepaard gaan met elk werkstukmateriaal en draag altijd een door het NIOSH goedgekeurd ademhalingsmasker.
4. Plaats uw handen, hout of gereedschap niet in de buurt van de inlaatopening terwijl de machine is aangesloten of in werking is. Houd dieren en kinderen uit de buurt van open stofinlaten.
5. Controleer en leeg de opvangzak regelmatig om ophoping van fijnstof te voorkomen, wat het brandrisico kan vergroten. Reinig regelmatig de omgeving van de machine. Overmatige stofophoping op warmtebronnen zoals plafondlampen en elektrische panelen verhoogt het brandrisico.
6. Draag altijd een ademhalingsmasker en een veiligheidsbril bij het verwijderen, legen of vervangen van de opvangzak. Verwijder stof uit

de buurt van ontstekingsbronnen en plaats het in een geschikte container.

7. Sluit de stofafzuiger altijd aan op de juiste stroombron.

BELANGRIJK : Houd altijd eerst rekening met uw veiligheid, aangezien dit van toepassing is op uw individuele behoeften. werkend omstandigheden , de omgeving in elk winkel is anders.

BEWAAR ALLE WAARSCHUWINGEN EN INSTRUCTIES VOOR DE TOEKOMST REFERENTIE .

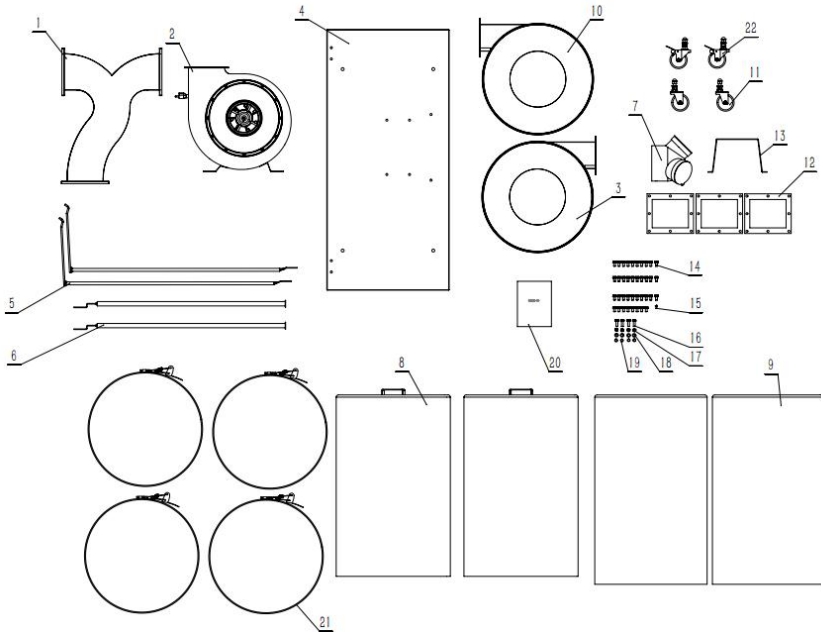
TECHNICAL DATA

Motorvermogen	3 pk/2200W
Inlaatdiameter	4 inch/100 mm x 3
Ventilator diameter	12 inch/305 mm
Zakcapaciteit (kubieke meter)	42*2 Gal
Opvangcapaciteit (kubieke meter/uur)	1550CFM (2600 m3/u)
Slangaansluiting:	100 mm
Totale afmetingen (L x B x H)	1440 x 730 x 2000 mm
Verpakkingsgrootte (L x B x H)	1220 x 620 x 635 mm

ASSEMBLY

Uitpakken en inhoud controleren

Controleer op transportschade. Controleer direct of alle onderdelen aanwezig zijn. en accessoires zijn inbegrepen. Als er iets is ontbrekend of Als het product kapot is, neem dan contact op met uw verkoper .



Nee.	Beschrijving	Aantal	Nee.	Beschrijving	Aantal
1	Verbindingsstuk	1	12	Verpakking	3
2	Collectorbehuizing en ventilator/motor-assemblage	1	13	Motorbasis	1
3	Linker Collector	1	14	Zeskantbout/M8×16	3 8
4	Bodemplaat	1	15	Schroef/M5×10	1
5	Ondersteuning voor de bovenste tas	2	16	Zeskantbout / M8×25	4
6	Ondersteuning	2	17	Moer/M8	4
7	Inlaat	1	18	vlakke ring/8	4
8	Stoffilter voor zakken	3	19	Veerring/8	4
9	Stofzak	4	20	Instructies	1
10	Rechter Collector	2	21	Zakklem	4
11	Wiel	2	22	Remwielen	2

1 Elektrische aansluiting

een doorsnede hebben van minimaal 1,0 mm. Trek bij een storing direct de stekker uit het stopcontact. Controleer vervolgens de machine en verhelp eventuele storingen.

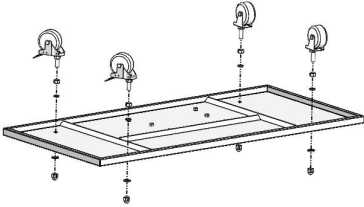
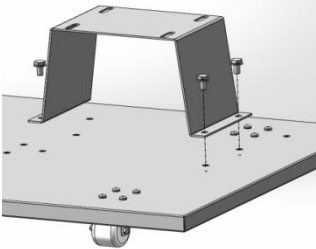
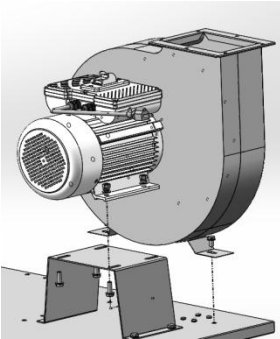
2 Algemeen

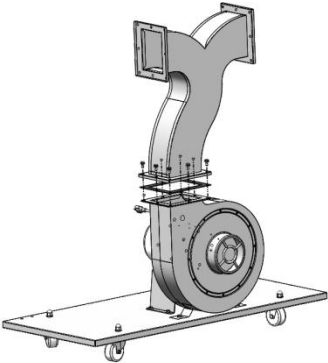
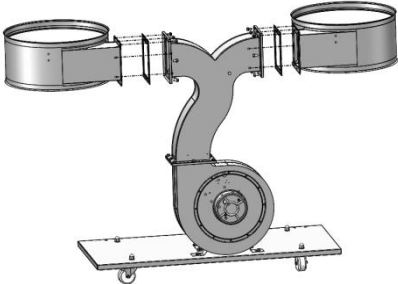
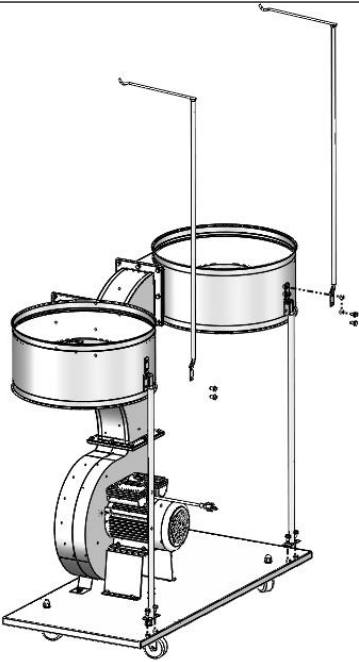
- Zuig geen stukken metaal, grote blokken hout of stukken lat in de opvangbak.
- Gebruik uitsluitend accessoires die ontworpen zijn voor de DC20001 .

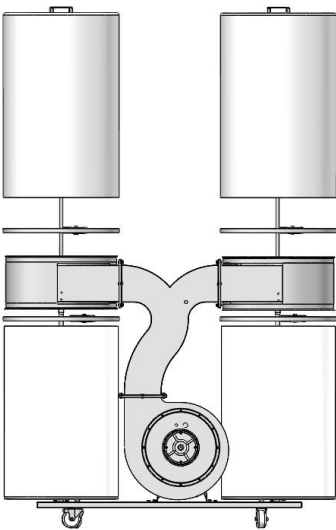
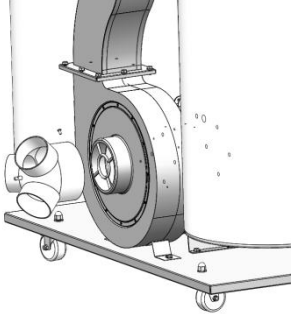
3 Reiniging

- De stofafzuiger moet elke keer dat de stofzak wordt vervangen, worden gereinigd.
- Beschadigde filters en zakken moeten onmiddellijk worden vervangen om de verspreiding van stof in het werkgebied tot een minimum te beperken.

4 Montage

1	<p>Om het geheel te monteren, plaatst u eerst de bodemplaat ondersteboven en bevestigt u de vier wielen (11,22#) in de daarvoor bestemde gaten en draai deze vast met een sleutel.</p>	
2	<p>Bevestig de motorbasis (1 3 #) over de bodemplaat (4 #) met 4 zeskantbouten/M8×1 6 (1 4 #)</p>	
3	<p>Bevestig de collectorbehuizing en de ventilator/motor-assemblage (2 stuks) met 4 zeskantbouten / M8×25 en 4 vlakke ringen/8 (16 #) + 4 vlakke ringen/8 (18 #), 4 veerringen /8 (19 #) en 4 moeren M8 (17 #) aan de motorbasis (1 3 #) Bevestig de collectorbehuizing en de ventilator/motor-assemblage (2 stuks) aan de bodemplaat (4 stuks) met een zeskantbout/M8×1 6 (1 4 stuks).</p>	

4	<p>Installeer de pakking (1 2 #) en de connector (1 #) op het collectorlichaam montage (2 #) met behulp van 8 zeskantbouten/M8×1 6 (1 4 #) .</p>	
5	<p>Installeer de linker collector (3 #) , de rechter collector (1 0 #) en twee pakkingen (1 2 #) aan de uitlaat van het collectorlichaam montage (2 #) met behulp van 16 zeskantbouten/M8×1 6 (1 4 #) .</p>	
6	<p>Bevestig de steun (6 #) aan de grondplaat (4 #) met 4 Zeskantbout/M8×1 6 (1 4 #) De steun (6 #) en de steun voor de bovenste zak (5 #) op de Collector (3 #, 10 #) met 4 vastgezet Zeshoekige kop bout/M8×1 6 (1 4 #)</p>	

7	<p>Bijvoegen Zakklem (2 1 #) bevestigt het stoffilter van de zak (8 #) en de stofzak (9 #) op de Verzamelaar (3 # , 10#)</p>	
8	<p>Gebruik de schroef (15 #) om de inlaat te repareren (7 #)</p>	

De stofafzuiger is nu klaar om in gebruik te worden genomen. verbinding maken met een stroombron, zorg ervoor dat de stroombron goed geaard is en van juiste spanning en stroomsterkte.

5 TEST:

Voordat u de stofafzuiger start, moet u ervoor zorgen dat: hebben lezen en begrepen de handmatig En Jij Zijn bekend met de functies en veiligheidsvoorzieningen op de machine . Het niet doen Dus kunnen ernstig persoonlijk letsel veroorzaken .

Voer een test uit om te controleren of de stofafzuiger goed werkt.

- Zorg ervoor dat alle gereedschappen uit de werkruimte zijn verwijderd gebied en de de muurbeugels stevig vastzitten.

- Plug de stroom koord naar binnen de juist opvangbak . (Refereren (Zie de paragraaf 'Power Source ' in dit gedeelte van de handleiding.)
- Draai de stof verzamelaar AAN . (Raadpleeg naar Aan / Uit Paragraaf wisselen in het gedeelte '**Bediening**' van de handmatig.)
- Als u ongebruikelijke geluiden of overmatige trillingen opmerkt, schakel het apparaat dan uit. Schakel het apparaat onmiddellijk uit en haal de stekker uit het stopcontact. Controleer alle gemonteerde onderdelen nogmaals en onderzoek het probleem.

Als alles correct functioneert, is de stofafzuiger klaar voor gebruik.

6 STROOMBRON:

Doen niet verbinden stof verzamelaar naar de stroom bron tot alle montage stappen hebben geweest voltooid .

De motor is ontworpen voor operatie op de spanning En frequentie. gespecificeerd. Normale belastingen worden veilig verwerkt bij spanningen die niet meer dan 10% boven of onder de gespecificeerde spanning liggen. Het apparaat laten draaien op spanningen die niet binnen de bereik kan veroorzaken oververhitting En motor burn - out . Zwaar ladingen vereisen Dat de spanning bij motor klemmen zijn Nee minder dan de spanning zoals aangegeven op het typeplaatje.

7 AARDINGINSTRUCTIES:

Een onjuiste aansluiting van de aardgeleider van de apparatuur kan resulteren in het risico op een elektrische schok. Apparatuur moet geaard tijdens gebruik om de gebruiker te beschermen tegen elektrische schokken

- Raadpleeg een gekwalificeerde elektricien als u de aarding niet begrijpt instructies of als Jij Zijn in twijfel als naar of het gereedschap is op de juiste manier geaard .
- Dit hulpmiddel is uitgerust met een goedgekeurd koord en een 3-polige aardingsstekker voor uw bescherming tegen schok gevaren .
- De aardingsstekker moet rechtstreeks in een goed stopcontact worden gestoken. geïnstalleerd en geaard stopcontact met 3 pinnen .
- Doen de aarding niet verwijderen of wijzigen poot in elk wijze. In het

evenement van A storing of storing , aarding biedt een pad van minst weerstand voor elektrisch schok .

Zorg ervoor dat uw vingers de aansluitingen van de stekker niet aanraken wanneer u deze in het stopcontact steekt of eruit haalt.

- De stekker moet in een passend stopcontact worden gestoken dat correct is geïnstalleerd en geaard, conform alle plaatselijke voorschriften en verordeningen. Wijzig de meegeleverde stekker niet. Als de stekker niet in het stopcontact past, laat dan een geschikt stopcontact installeren door een gekwalificeerde elektricien.
- Inspecteren hulpmiddel koorden periodiek , en als beschadigd , hebben gerepareerd worden door een erkend servicebedrijf.
- De groene (of groen-gele) geleider in het snoer is de aardingsdraad. Als reparatie of vervanging van het netsnoer of de stekker nodig is, sluit de groene (of groen-gele) draad dan niet aan op een spanningvoerende aansluiting.

8 VERLENGSNOEREN:

- Het gebruik van een verlengsnoer wordt afgeraden. Het gebruik van een Verlengsnoeren veroorzaken een spanningsval en vermogensverlies .
- De draden van het verlengsnoer moeten voldoende lang zijn om de huidig En behouden adequaat spanning .
- Verlengsnoerlengte omhoog tot 50 ft . Draadgrootte tot 14 AWG of 1,5 mm² .
- Gebruik alleen 3- draads verlenging koorden met 3 tanden aarding type stekkers en 3- polig stopcontacten welke accepteren de hulpmiddel stekker .
- Als de verlenging koord is versleten , snee of beschadigd in elk manier , Vervangen Het onmiddellijk .

OPERATION

1. Sluit de stofafzuiging aan op uw houtbewerkingsmachine met een 10 cm lange stofafzuigslang (niet meegeleverd). Afhankelijk van de grootte van de stofaansluiting van uw machine zijn mogelijk adapters nodig.
2. Bij het starten van de stofafzuiger kan de stroomsterkte kortstondig oplopen tot 80 ampère, waardoor het elektrische circuit kan uitvallen. Zorg ervoor dat beide inlaatpoorten zijn afgedekt voordat u de stofafzuiger start. Het minste stroomverbruik is mogelijk wanneer er geen luchtstroom is.
3. Zorg ervoor dat de schakelaar van de stofafzuiging in de UIT-stand staat en steek de stekker in een passend stopcontact. Schakel vervolgens de stofafzuiging in en begin met het gebruik van uw houtbewerkingsmachine.
4. DE OPVANGZAK VERVANGEN . Leeg de opvangzak regelmatig. Dit zorgt ervoor dat de stofafzuiger optimaal kan werken.
 - Haal de stekker van de stofafzuiger uit het stopcontact. Draag een ademhalingsmasker of stofmasker en een veiligheidsbril.
 - Maak de riemklem los waarmee de opvangzak vastzit en verwijder de zak vervolgens uit de opvangbak.
 - Sluit de bovenkant van de zak goed af en gooi deze op een veilige manier weg volgens de lokale en landelijke normen.
 - Plaats een nieuwe opvangzak.

MAINTENANCE

ALGEMEEN ONDERHOUD

Zorg ervoor dat de machine is uitgeschakeld en het snoer is aangesloten. losgekoppeld van de stroombron voordat u onderhoud pleegt aan de machine en onderdelen ervan verwijdert/vervangt.

- Controleer de stofafzuiger dagelijks op losse bevestigingsbouten, schroeven, beschadigde draden, versleten schakelaars, een volle stofzak en andere onveilige situaties.

- De waaierschroef kan tijdens gebruik losraken. Controleer de waaier eenmaal per maand om er zeker van te zijn dat de waaierschroeven goed vastzitten en de waaier op de as vastzetten.
- Controleer het volgende: Zorg ervoor dat de machine is uitgeschakeld en de stekker uit het stopcontact is gehaald. Bereik de waaierschroeven via de inlaatklep op de machine en draai ze vast om de waaier op de as te bevestigen.

SCHOONMAAK

Controleer en leeg de opvangzak van uw stofzuiger regelmatig. De machine werkt veel efficiënter wanneer de opvangzak leeg is.

MACHINE OPSLAG

- Wanneer de stofzuiger niet in gebruik is, koppelt u het snoer los uit het stopcontact en bewaar het apparaat op een droge plaats.
- Stel het apparaat niet bloot aan regen.
- Zorg ervoor dat het snoer uit de buurt blijft van mogelijke bronnen van schade, zoals scherpe voorwerpen, chemicaliën, warmtebronnen en water.

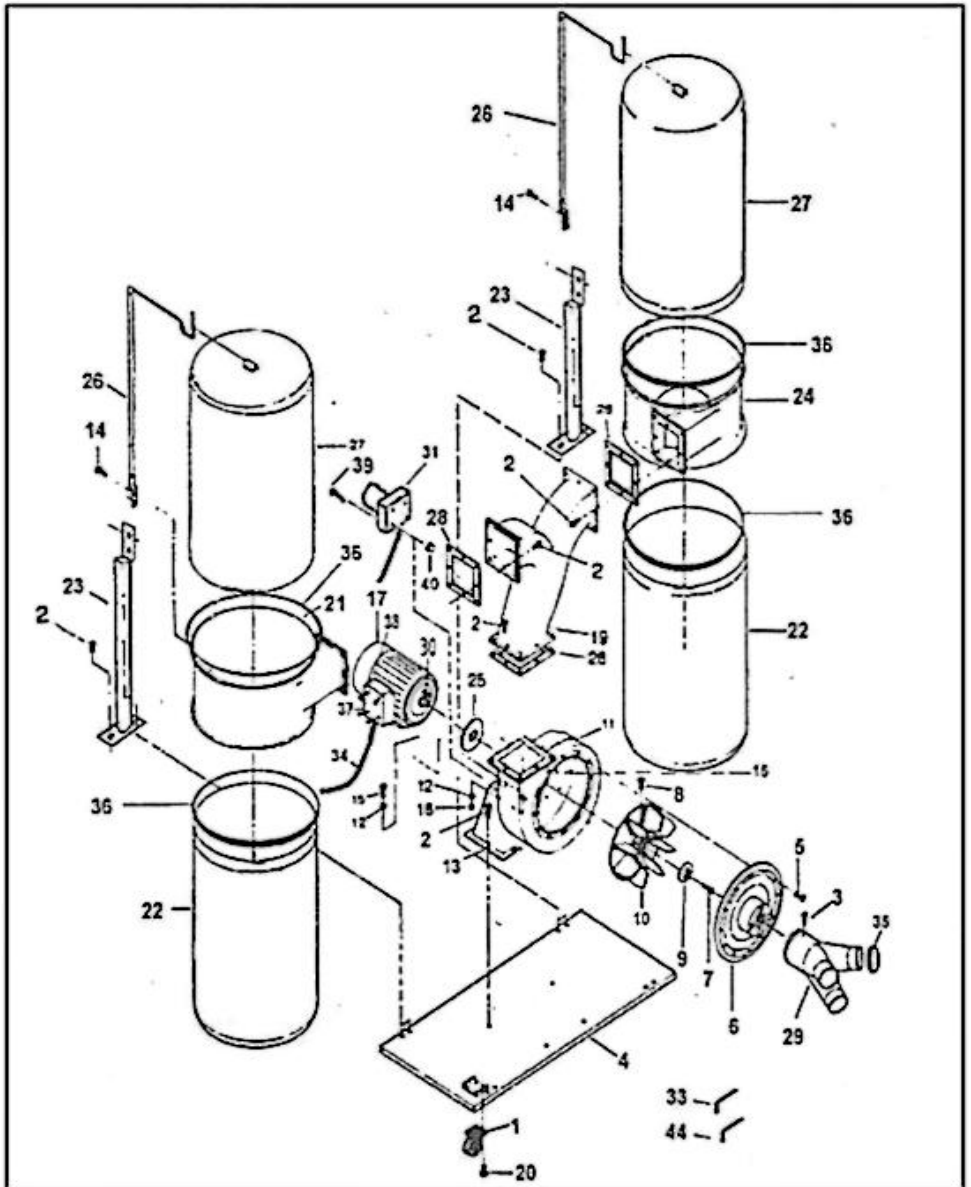
GEREEDSCHAPSREPARATIES

- Als het netsnoer versleten, doorgesneden of op enigerlei wijze beschadigd is, laat het dan repareren. vervangen onmiddellijk.
- Vervang versleten schuurmiddelen indien nodig.
- Vervang beschadigde of ontbrekende onderdelen. Gebruik de onderdelenlijst om onderdelen bestellen. Elke poging om de motor te repareren kan een gevaar opleveren tenzij de reparatie wordt uitgevoerd door een gekwalificeerde servicetechnicus.

TROUBLESHOOTING

SYMPTOOM	MOGELIJKE OORZAAK(EN)	CORRIGERENDE MAATREGELEN
Motor zullen niet begin	<ol style="list-style-type: none"> 1. Lage spanning 2. Open circuit in motor of los verbindingen 3. Defect schakelaar 4. Defect condensator 5. Schakelaar sleutel wordt verwijderd 	<ol style="list-style-type: none"> 1. 1. Controleer de stroomkabel op de juiste spanning 2. Controleer alle kabelverbindingen op de motor op losse of open verbindingen 3. Schakelaar vervangen 4. Vervang de condensator 5. Steek de schakelaar in
Motor start niet; zekeringen zijn doorgebrand of stroomonderbrekers zijn geactiveerd	<ol style="list-style-type: none"> 1. Kortsluiting in het inline-snoer of de stekker 2. Kortsluiting in de motor of losse verbindingen 3. Onjuiste zekeringen of stroomonderbrekers in de stroomleiding 	<ol style="list-style-type: none"> 1. Controleer het netsnoer of de stekker op beschadigde isolatie en kortsluiting in de draden 2. Controleer alle kabelverbindingen op de motor op losse of kortgesloten aansluitingen of versleten isolatie op de draden 3. Installeer de juiste zekeringen of stroomonderbrekers
Het apparaat trilt of maakt lawaai	<ol style="list-style-type: none"> 1. Motor of componenten zitten los 2. Motorbevestiging is los/kapot 3. Het apparaat is niet goed aan de muur bevestigd 4. Motorventilator schuurt tegen de kap 5. Motorlagers defect 	<ol style="list-style-type: none"> 1. Controleer/vervang alle beschadigde bouten/moeren en draai ze opnieuw vast. 2. Vastdraaien/vervangen 3. Bevestigingsmateriaal vastdraaien/vervangen 4. Plaats de ventilatorkap terug; vervang de losse/beschadigde ventilator .
Luid, repetitief lawaai of overmatig trillingen afkomstig van stofzuiger	<ol style="list-style-type: none"> 1. Stofzak is vol 2. Stofafzuigslang beperkt 3. Het hout is nat en het stof stroomt niet soepel door de slang 4. Er zit een lek in de slang 	<ol style="list-style-type: none"> 1. Leeg de opvangzak. 2. Verwijder de slang van de inlaat van de stofafzuiging en maak de blokkade vrij. Verstopping in de slang. Een ontstoppingsveer kan nodig zijn. 3. Verwerk hout met een vochtpercentage van minder dan 20%. 4. Controleer en vervang de slang.
Zaagsel dat door de stofzuiger in de lucht wordt geblazen	Slangklemmen of stofzak zijn niet goed vastgeklemd en vastgezet.	Controleer de slang en de stofzak. Zorg ervoor dat de klemmen van de slang en de stofzak goed vastzitten en volledig over de slang en de stofzak zitten.

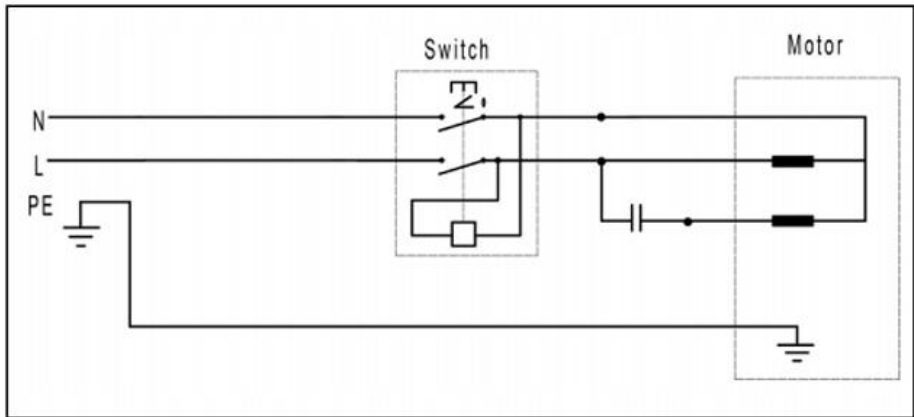
WIRING DIAGRAM



ONDERDELENLIJST

Onderdeel nr.	Beschrijving	Onderdeel nr.	Beschrijving
1	CASTER	21	LINKER-VERZAMELAAR
2	SCHROEF	22	VERZAMELTAS
3	SCHROEF	23	VERZAMELAARSONDERSTE UNING
4	Bodemplaat	24	RECHTS-VERZAMELAAR
5	SCHROEF	25	WASMACHINE
6	INLAAT	26	BOVENSTE TAS ONDERSTEUNING
7	SCHROEF	27	FILTERZAK
8	SCHROEF HEX	28	VERPAKKING
9	WASMACHINE	29	INLAAT
10	TURBO-VENTILATOR	30	SLEUTEL
11	VERZAMELAAR	31	SCHAKELAAR
12	WASMACHINE	33	SLEUTEL INBUSSLEUTEL
13	MOTORBASIS	34	KABEL
14	SCHROEF HEX	35	GLB
15	SCHROEF HEX	36	TASSENKLEM
16	BQLT	37	SCHAKELKAST
17	MOTOR	38	KOPSCHROEF
18	MOER	39	SCHROEF
19	CONNECTOR	44	MOERSLEUTEL
20	SCHROEF		

CIRCUIT DIAGRAM



Waarschuwing: om het risico op letsel te verminderen, moet de gebruiker de gebruiksaanwijzing zorgvuldig lezen.



Dit product valt onder de bepalingen van de Europese Richtlijn 2012/19/EG. Het symbool met een doorgekruiste vuilnisbak geeft aan dat het product in de Europese Unie gescheiden afvalinzameling vereist. Dit geldt voor het product en alle accessoires die met dit symbool zijn gemarkeerd. Producten die als zodanig zijn gemarkeerd, mogen niet met het normale huisvuil worden weggegooid, maar moeten worden ingeleverd bij een inzamelpunt voor de recycling van elektrische en elektronische apparaten.



VEVOR

Affordable. Reliable. Home Improvement.

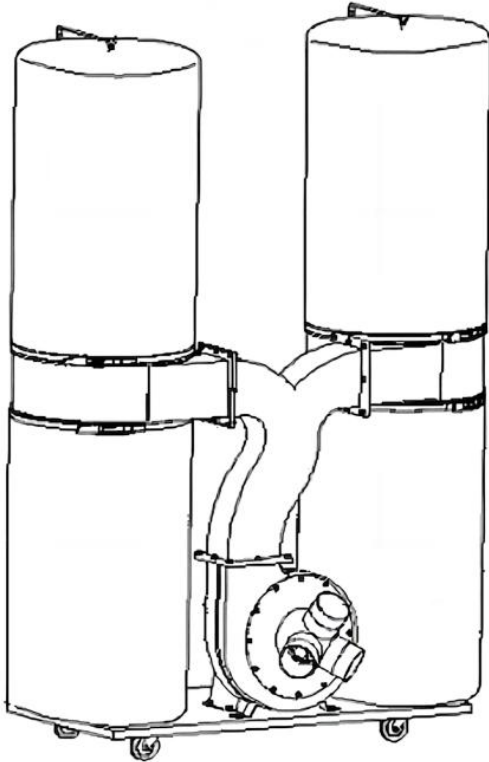
DAMMUPSAMLARE

MODELL: DC20003

VEVOR

Affordable. Reliable. Home Improvement.

MODELL: DC20003



Please scan the QR code to watch the video code on how to install it.

Detta är originalinstruktionerna, vänligen läs alla instruktioner noggrant innan du använder produkten. VEVOR förbehåller sig en tydlig tolkning av vår användarmanual. Produktens utseende ska vara beroende av den produkt du mottagit. Vi ber om ursäkt för att vi inte kommer att informera dig igen om det finns några teknik- eller programuppdateringar för vår produkt.

SAFETY RULES

1. Läs och bekanta dig med hela bruksanvisningen.
2. Se till att skydd och lock sitter på plats och är i fungerande skick.
3. Använd alltid skyddsglasögon, använd även ansikts- eller dammmask vid skärning Verksamheten är dammig. Vanliga glasögon har endast slagåliga linser ; de är inte skyddsglasögon.
4. Håll arbetsområdet rent. Röriga områden och bänkar bjuda in till olyckor.
5. Tvinga inte verktygen. De kommer att göra ett bättre och säkrare jobb med den hastighet de är avsedda för.
6. Undvik oavsiktlig start. Se till att strömbrytaren är i avstängt läge innan du ansluter sladden.
7. Sträck dig inte för långt. Håll alltid rätt fotfäste och balans. För bästa fotfäste, använd skor med gummisulor. Håll golvet rent från olja, träskräp etc.
8. Använd lämpliga kläder. Löst lösa kläder eller smycken kan fastna i rörliga delar. Använd hårskydd för att hålla långt hår borta.
9. Gör verkstaden barnsäker. Sätt ett hänglås på brytaren när klingsågen inte används och förvara nyckeln på en säker plats.
10. Ta bort justeringsnycklar och skiftnycklar. Gör det till en vana att kontrollera att nycklar och justeringsnycklar är borttagna från verktyget innan du slår på det.
11. Undvik farliga miljöer . Använd inte elverktyg i fuktiga eller våta utrymmen. Håll arbetsområdet väl upplyst . Använd den inte i explosiva atmosfärer (runt färg, brandfarliga vätskor etc.)
12. Håll barn borta. Alla besökare ska hållas på säkert avstånd från arbetsområdet, särskilt när de använder enheten.

13. Använd rätt verktyg. Tvinga inte verktyget eller tillbehöret att utföra ett jobb som det inte är avsett för.
14. Håll verktygen i toppskick. Håll verktygen vassa och rena för bästa och säkraste prestanda. Följ instruktionerna för smörjning och byte av tillbehör.
15. Säkra arbetet. Använd tvingar eller ett skruvstöd för att hålla fast arbetet när det är praktiskt möjligt. Det är säkrare än att använda handen och förhindrar att runda eller oregelbundet formade delar vrider sig.
16. Kontrollera skadade delar. Innan verktyget används vidare bör ett skydd eller annan skadad del kontrolleras för att säkerställa att den fungerar korrekt och utför sin avsedda funktion . Kontrollera rörliga delars uppriktning, brott på delar, montering och andra förhållanden som kan påverka dess funktion . Ett skydd eller annan del som är skadad bör repareras eller bytas ut ordentligt.
17. Använd rekommenderade tillbehör – se bruksanvisningen. Användning av felaktiga tillbehör kan vara farligt.
18. Stå aldrig på verktyget. Fall kan orsaka skador .
19. Lämna aldrig verktyget igång och utan uppsikt.
20. Dra alltid ut sladden ur eluttaget när du justerar, byter delar eller arbetar på verktyget.
21. Dra alltid ut sladden ur eluttaget när du justerar, byter delar eller arbetar på verktyget.

SPECIFIC SAFETY INSTRUCTIONS

Läs och förstå bruksanvisningen innan du använder dammsamlaren. Grundläggande försiktighetsåtgärder som anges nedan bör alltid följas när du använder din dammsamlare för att minska risken för skador, elektriska stötar eller brand.

1. Denna dammuppsamlare är endast avsedd för att samla upp trädamn och flis från träbearbetningsmaskiner. Använd inte dammuppsamlaren för något annat än trädamn. Material som vätskor, aerosoler, metaldamn, skruvar, glas, plast eller sten kan orsaka gnistor vid kontakt med någon del av insamlingssystemet.
2. Låt aldrig stål komma i kontakt med pumphjulet. Stöt mot hårda material kan resultera i gnistor som kan orsaka brand. Var uppmärksam på alla situationer som medför brandrisk.
3. Damn som bildas vid användning av maskiner kan orsaka cancer, fosterskador eller långvariga andningsskador. Var medveten om dammrisker som är förknippade med varje arbetsstyckesmaterial och använd alltid ett NIOSH-godkänt andningsskydd.
4. Placera inte händer, virke eller verktyg nära inloppsöppningen medan maskinen är inkopplad eller under drift. Håll djur och barn borta från öppna dammuppsamlingsinlopp.
5. Kontrollera och töm uppsamlingspåsen regelbundet för att undvika ansamling av fint damn som kan öka brandrisken. Rengör regelbundet området runt maskinen. Överdriven dammansamling på värmekällor som taklampor och elpaneler ökar brandrisken.
6. Använd alltid andningsskydd och skyddsglasögon när du tar bort, tömmer eller sätter tillbaka uppsamlingspåsen. Töm damn borta från antändningskällor och i en lämplig behållare.
7. Anslut alltid dammsamlaren till motsvarande strömkälla.

VIKTIGT : Tänk alltid på säkerheten först eftersom det gäller din individ . arbetssätt förhållandena , de miljö i varje butiken är annorlunda.

**SPARA ALLA VARNINGAR OCH INSTRUKTIONER FÖR
FRAMTIDEN REFERENS .**

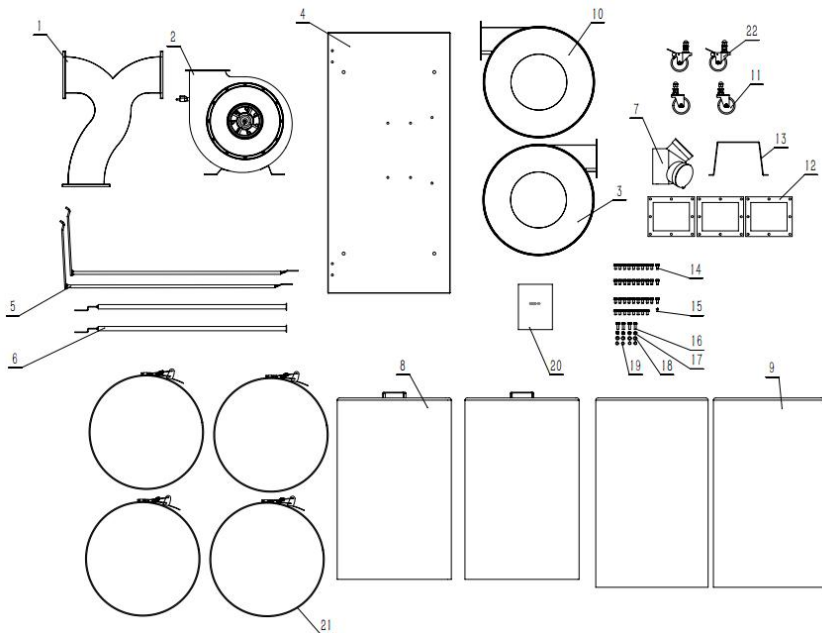
TECHNICAL DATA

Motorkraft	3 hk/2200 W
Inloppsdiаметer	100 mm x 3
Fläktдиаметer	12 tum/305 mm
Påskapacitet (kubikmeter)	42*2 gallon
Uppsamlingskapacitet (kubikmeter/timme)	1550 CFM (2600 m ³ /h)
Slangkoppling:	100 mm
Totalstorlek (L x B x H)	1440 x 730 x 2000 mm
Förpackningsstorlek (L x B x H)	1220 × 620 × 635 mm

ASSEMBLY

Uppackning och kontroll av innehållet

Kontrollera om det finns några transportskador. Kontrollera omedelbart att alla delar är och tillbehör ingår. Om något är saknas eller trasigt, kontakta din återförsäljare .



Inga.	Beskrivning	Antal	Inga.	Beskrivning	Antal
1	Kontakt	1	12	Förpackning	3
2	Kollektorhus och fläkt-/motorenhet	1	13	Motorbas	1
3	Vänster samlare	1	14	Sexkantsbult/M8× 16	3 8
4	Bottenplatta	1	15	Skruv/M5×10	1
5	Övre påsstöd	2	16	Sexkantsbult /M8×25	4
6	Stöd	2	17	Mutter/M8	4
7	Inlopp	1	18	platt bricka/8	4
8	Dammfilter påse	3	19	Fjäderbricka/8	4
9	Damppåse	4	20	Instruktioner	1
10	Höger samlare	2	21	Påskklämma	4
11	Hjul	2	22	Bromshjul	2

1 Elanslutning

- Motorn går på skylten. Sladden måste ha en tvärsnittsarea på minst 1,0 mm. Om ett fel uppstår, dra omedelbart ut kontakten ur eluttaget. Kontrollera sedan maskinen och åtgärda eventuella fel.

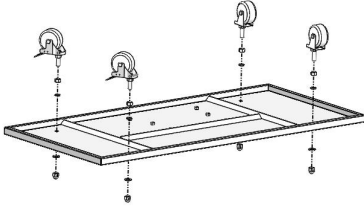
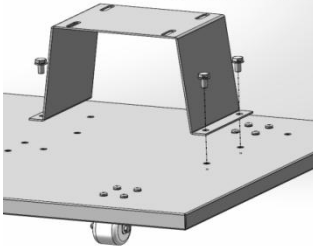
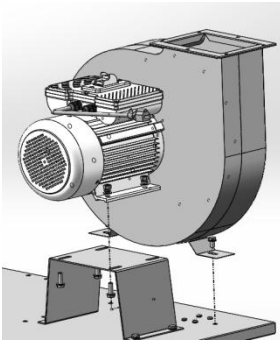
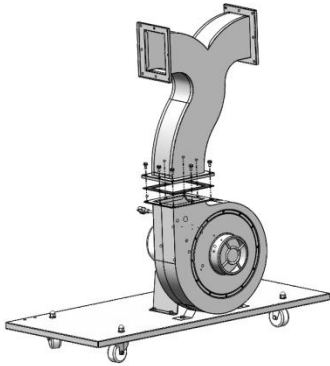
2 Allmänt

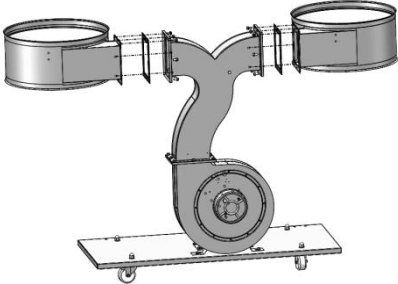
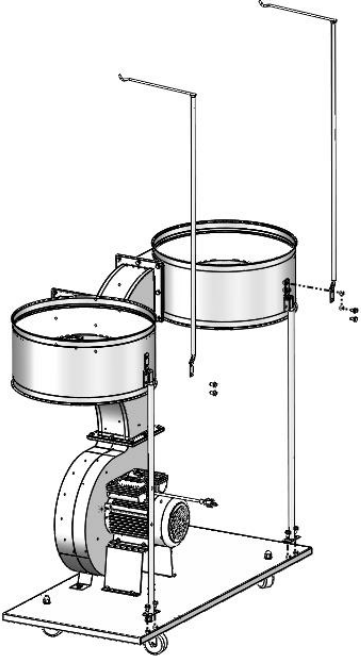
- Sug inte in metallbitar, stora träblock eller läktbitar i uppsamlaren.
- Använd endast tillbehör som är avsedda för DC20001 .

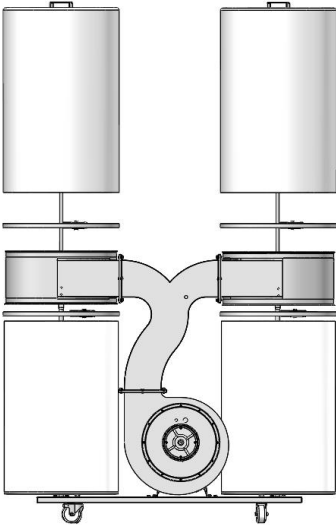
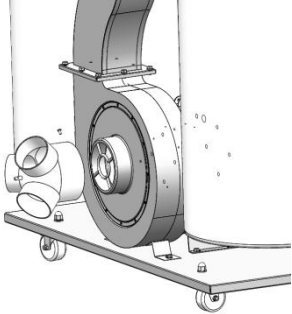
3 Rengöring

- Dammuppsamlaren bör rengöras varje gång uppsamlingspåsen byts.
- Skadade filter och påsar måste bytas ut omedelbart för att minimera dammspridning i arbetsområdet.

4 Montering

1	<p>För att montera, lägg först bottenplattan upp och ner och fäst de fyra hjulen (11,22#) till de avsedda hålen och dra åt med en skiftnyckel.</p>	
2	<p>Fäst motorbasen (1 3 ") över basplattan (4") med 4 sexkantsbultar/M8×1 6" (1 4 ")</p>	
3	<p>Fäst kollektorhuset och fläkt-/motoraggregatet (2 st) med 4 sexkantsbultar /M8×25 och 4 plana brickor/8 (16 st.) + 4 planbrickor/8 (18 st.), 4 fjäderbrickor /8 (19 st.) och 4 muttrar M8 (17 st.) till motorbasen (13 st.) Fäst kollektorhuset och fläkt-/motorenheten (2 st) på bottenplattan (4 st) med sexkantsbult/M8×1,6 mm (1,4 st)</p>	
4	<p>Montera packningen (1/2 #) och kontakten (1 #) på kollektorhuset montering (2 st) med 8 sexkantsbultar/M8× 1.6 (1.4 st) .</p>	

5	<p>Montera vänster kollektor (3 st.) , höger kollektor (10 st.) och två packningar (12 st.) på kollektorhusets utlopp . montering (2 st) med 16 sexkantsbultar/M8× 1.6 (1/4 #) .</p>	
6	<p>Fäst stödet (6 st) på bottenplattan (4 st) med 4 Sexkantsbult/M8×1 6 (1 4 st) Fixerade stödet (6 st) och det övre påsstödet (5 st) på uppsamlaren (3 st, 10 st) med 4 Hexagonhuvud bult/M8×1 6 (1 4 st)</p>	

7	<p>Bifoga Påsklämma (2 1 #) fäster dammfiltret (8 #) och dammpåsen (9 #) på Samlare (3 st , 10 st)</p>	
8	<p>Använd skruven (15 st) för att fixera inloppet (7 st)</p>	

Stoftavskiljaren är nu redo att tas i bruk. Innan ansluter till en strömkälla, se till att strömkällan är korrekt jordad och har rätt spänning och strömstyrka.

5 TESTA:

Innan du startar dammuppsamlaren, se till att du ha läsa och förstod de manuell och du är bekant med de funktioner och säkerhetsfunktioner på maskinen . Underlåtenhet att göra så maj orsaka allvarliga personskador. Kör ett test för att säkerställa att dammuppsamlaren fungerar korrekt.

- Se till att alla verktyg är borttagna från arbetsytan område och den väggfästena är säkra.
- Plugg de driva sladd till de rätta behållare . (Se till strömkällan (se stycket i detta avsnitt av manualen.)

- Sväng de damm samlare PÅ . (Se till På / Av Byt stycke i **driftavsnittet** av e manuell.)
- Om ovanliga ljud eller kraftiga vibrationer observeras, stäng av Stäng omedelbart av maskinen och dra ut sladden från strömkällan. Kontrollera alla monterade delar igen och undersök för att hitta problemet.

Om allt fungerar korrekt är dammsamlaren klar att användas.

6 STRÖMKÄLLA:

Do inte ansluta damm samlare till de driva källa tills all montering steg ha varit färdigställd .

De motor är utformad för drift på de spänning och frekvens. specificerad. Normala belastningar hanteras säkert vid spänningar som inte är mer än 10 % över eller under den specificerade spänningen.

Att köra enheten på spänningar som är inte inom räckvidd kan orsaka överhettning och motor utbrändhet . Tung massor behöva att de spänning på motor terminaler vara inga mindre än de spänningen som anges på typskylten.

7 JORDNINGSINSTRUKTIONER:

Felaktig anslutning av utrustningens jordledare kan resultera i risk för elektriska stötar. Utrustningen bör jordad under användning för att skydda operatören från elektriska stötar

- Kontakta en behörig elektriker om du inte förstår jordning. instruktioner eller om du är i tvivel som till om verktyget är ordentligt jordad .
- Detta verktyg är utrustad med en godkänd sladd och en 3-stifts jordad kontakt för ditt skydd mot chock faror .
- Jordningskontakten ska anslutas direkt till en korrekt ansluten installerat och jordat 3-stifts jordat uttag .
- Do inte ta bort eller ändra jordning klo i några sätt. I händelsen av en felfunktion eller haveri , jordning ger en stig av minst motstånd för elektrisk chock .

Låt inte fingrarna vidröra kontaktens anslutningar när du installerar eller tar

bort den från uttaget.

- Kontakten måste anslutas till ett passande uttag som är korrekt installerat och jordat i enlighet med alla lokala föreskrifter. Modifiera inte den medföljande kontakten. Om den inte passar i uttaget, låt en behörig elektriker installera ett korrekt uttag.
- Inspektera verktyg sladdar periodvis , och om skadad , ha repareras av en auktoriserad serviceverkstad.
- Den gröna (eller gröna och gula) ledaren i sladden är jordledningen. Om reparation eller byte av sladden eller kontakten är nödvändig, anslut inte den gröna (eller gröna och gula) ledningen till en spänningsförande pol.

8 FÖRLÄNGNINGSKABBLAR:

- Användning av förlängningssladd rekommenderas inte. Användning av någon förlängningssladden kommer att orsaka ett visst spänningsfall och strömförlust .
- Förlängningssladdens ledningar måste vara tillräckligt stora för att bära nuvarande och upprätthålla tillräcklig spänning .
- Förlängningssladdens längd Upp upp till 50 fot . Trådstorlek upp till 14 AWG eller 1,5 mm² .
- Använda endast 3- trådig förlängning sladdar med 3- stift grundstötning typ pluggar och 3- polig behållare som acceptera de verktyg kontakt .
- Om de förlängning sladd är sliten , skära eller skadad i några sätt , Ersätta det omedelbart .

OPERATION

1. Anslut dammuppsamlaren till din träbearbetningsmaskin med en 10 cm dammuppsamlings slang (ingår ej). Adaptrar kan behövas beroende på maskinens dammportstorlek.
2. När du startar dammsamlaren kan strömstyrkan stiga till 80 ampere under en kort stund och detta kan riskera att lösa ut den elektriska kretsen. Se till att båda inloppsportarna är täckta innan du startar din dammsamlare. Minst möjliga ström dras när det inte finns något luftflöde.
3. Se till att dammuppsamlarens strömbrytare är i AV-läget, sätt i strömkontakten i ett passande uttag. Slå sedan PÅ dammuppsamlaren och börja använda din träbearbetningsmaskin.
4. BYTE AV UPPSAMLINGSPÅSEN . Töm uppsamlingspåsen regelbundet. Detta gör att dammsamlaren kan arbeta med maximal effektivitet.
 - Koppla bort dammsamlaren från eluttaget. Se till att du använder andningsskydd eller dammmask och skyddsglasögon.
 - Lossa remklämman som håller fast uppsamlingspåsen och ta sedan bort påsen från uppsamlaren.
 - Stäng påsens topp ordentligt och kassera den på ett säkert sätt enligt lokala och statliga föreskrifter.
 - Montera en ny uppsamlingspåse.

MAINTENANCE

ALLMÄNT UNDERHÅLL

Se till att maskinen är avstängd och att sladden är kopplas bort från strömkällan innan service utförs och innan du tar bort/byter ut några komponenter på maskinen.

- Kontrollera dammuppsamlaren dagligen för lösa monteringsbultar, skruvar, skadade kablar, sliten strömbrytare, full uppsamlingspåse och andra farliga förhållanden.
- Impellerskruven kan lossna vid användning. Kontrollera impellern en

gång i månaden för att säkerställa att impellerskruvarna är åtdragna och håller fast impellern på axeln.

- För att kontrollera: Se till att maskinen är avstängd och att sladden är bortkopplad från strömkällan. Dra åt impellerskruvarna genom inloppsskyddet på maskinen och dra åt dem för att fästa impellern på axeln.

RENGÖRING

Kontrollera och töm uppsamlingspåsen på din dammsugare regelbundet. Maskinen arbetar med en mycket högre effektivitetsnivå när uppsamlingspåsen är tom.

MASKINFÖRVARING

- När dammsamlaren inte används, dra ur sladden från strömkällan och förvara maskinen på en torr plats.
- Utsätt inte maskinen för regn.
- Se till att sladden hålls borta från potentiella skadefällor såsom vassa föremål, kemikalier, värmekällor och vatten.

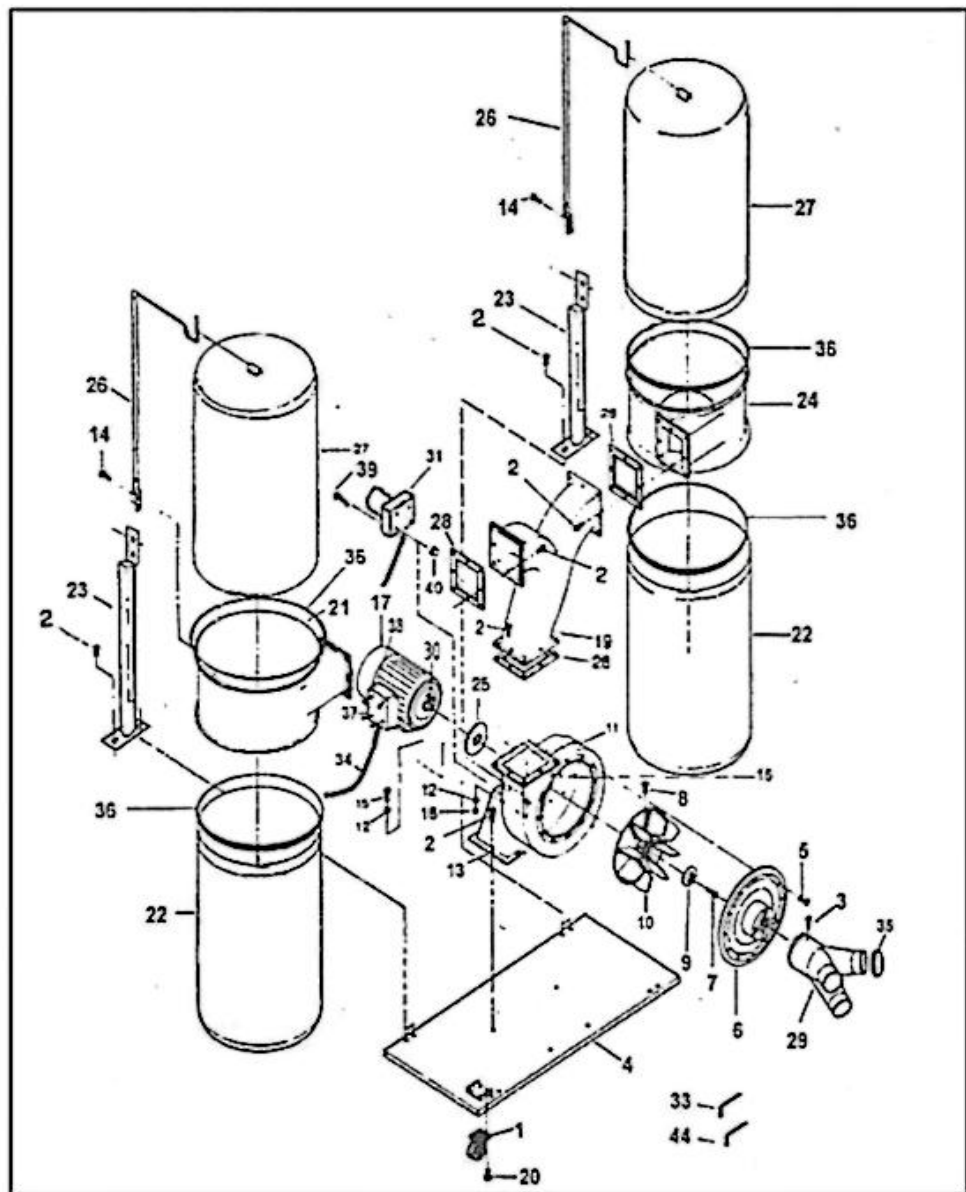
VERKTYGSREPARATIONER

- Om nätsladden är sliten, kapad eller skadad på något sätt, lämna in den ersatt omedelbart.
- Byt ut slitna slipmedel vid behov.
- Byt ut alla skadade eller saknade delar. Använd reservdelslistan för att beställa delar. Alla försök att reparera motorn kan skapa fara om inte reparationen utförs av en kvalificerad servicetekniker.

TROUBLESHOOTING

SYMPTOM	MÖJLIG(A) ORSAK(ER)	KORRIGERANDE ÅTGÄRDER
Motor vilja inte start	<ol style="list-style-type: none"> 1. Lågspänning 2. Öppen krets i motor eller lös anslutningar 3. Defekt växla 4. Defekt kondensator 5. Växla nyckel är borttagen 	<ol style="list-style-type: none"> 1. 1. Kontrollera strömförsörjningen för korrekt spänning 2. Kontrollera alla ledningsanslutningar på motorn för lösa eller öppna anslutningar. 3. Byt ut brytaren 4. Byt kondensator 5. Sätt i strömbrytarnyckeln
Motorn startar inte; säkringar har gått eller krets brytare har utlösts	<ol style="list-style-type: none"> 1. Kortslutning av sladd eller kontakt 2. Kortslutning i motorn eller lösa anslutningar 3. Felaktiga säkringar eller strömbrytare i kraftledningen 	<ol style="list-style-type: none"> 1. Kontrollera nätsladden eller kontakten för skadad isolering och kortslutna ledningar. 2. Kontrollera alla ledningsanslutningar på motorn för lösa eller kortslutna poler eller sliten isolering på ledningarna. 3. Installera korrekta säkringar eller automatsäkringar
Enheten vibrerar eller har bullrig drift	<ol style="list-style-type: none"> 1. Motor eller komponenter är lösa 2. Motorfästet är löst/trasigt 3. Enheten är felaktigt monterad på väggen 4. Motorfläkten gnuggar mot locket 5. Defekta motorlager 	<ol style="list-style-type: none"> 1. Kontrollera/byt ut eventuella avskalade eller skadade bultar/muttrar och dra åt dem igen. 2. Dra åt/byt ut 3. Dra åt/byt ut monteringsdetaljer 4. Sätt tillbaka fläktkåpan; byt ut den lösa/skadade fläkten .
Högljudd, repetitiv buller eller överdrivet vibrationer från dammsamlaren	<ol style="list-style-type: none"> 1. Dammuppsamlingspåsen är full 2. Dammsugningsslangen är blockerad 3. Virket är vått och dammet rinner inte smidigt genom slangen 4. Det finns en läcka i slangen 	<ol style="list-style-type: none"> 1. Töm uppsamlingspåsen. 2. Ta bort slangen från dammuppsamlarens inlopp och rengör en strypning i slangen. En rörledning kan vara nödvändig. 3. Bearbeta virke med mindre än 20 % fukthalt. 4. Kontrollera och byt ut slangen.
Sågspån som blåses upp i luften från dammsamlaren	Slangklämmorna eller dammuppsamlingspåsen är inte ordentligt fastklämda och säkrade.	Kontrollera slangen och dammuppsamlingspåsen, se till att slang- och påsklämmorna är åtdragna och helt över slangen och påsen.

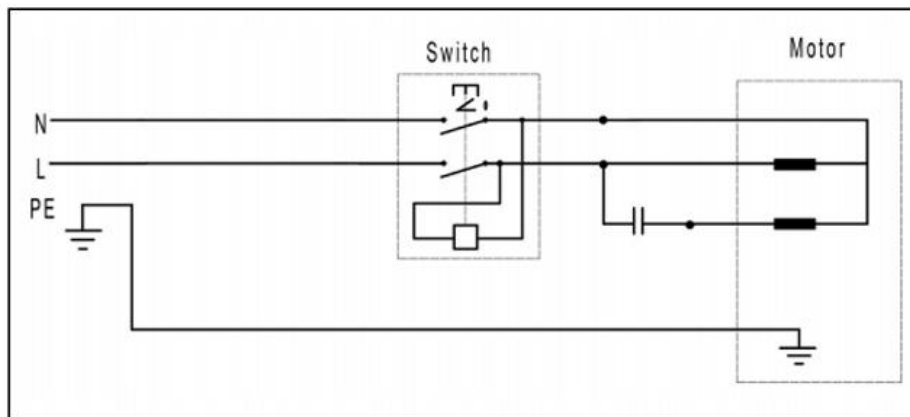
WIRING DIAGRAM



DELLISTA

Artikelnummer	Beskrivning	Artikelnummer	Beskrivning
1	HJUL	21	VÄNSTER-SAMLARE
2	SKRUVA	22	SAMLARKASSE
3	SKRUVA	23	SAMLARSUPPORT
4	BASPLATTA	24	HÖGER-SAMLARE
5	SKRUVA	25	BRÄCKMASKIN
6	INLOPP	26	ÖVRE VÄSKA STÖD
7	SKRUVA	27	FILTERPÅSE
8	SKRUV SEKANT	28	FÖRPACKNING
9	BRÄCKMASKIN	29	INLOPP
10	TURBOFLÄKT	30	NYCKEL
11	SAMLARE	31	VÄXLA
12	BRÄCKMASKIN	33	SEKANTNYCKEL
13	MOTORBAS	34	KABEL
14	SKRUV SEKANT	35	LOCK
15	SKRUV SEKANT	36	PÅSKLÄMMA
16	BQLT	37	BRYTARBOX
17	MOTOR	38	HUVUDSKRUV
18	MUTTER	39	SKRUVA
19	KONTAKTEN	44	RYCKA
20	SKRUVA		

CIRCUIT DIAGRAM



Varning – För att minska risken för skador måste användaren läsa instruktionsmanualen noggrant.



Denna produkt omfattas av bestämmelserna i EU-direktiv 2012/19/EG. Symbolen som visar en överstruken soptunna indikerar att produkten kräver separat sophämtning inom Europeiska unionen. Detta gäller produkten och alla tillbehör som är märkta med denna symbol. Produkter som är märkta som sådana får inte kasseras med vanligt hushållsavfall, utan måste lämnas till en insamlingsplats för återvinning av elektriska och elektroniska apparater.

