

# **VEVOR<sup>®</sup>**

**TOUGH TOOLS, HALF PRICE**

Technical Support and E-Warranty Certificate [www.vevor.com/support](http://www.vevor.com/support)

## **SALON STATION USER MANUAL**

We continue to be committed to provide you tools with competitive price.

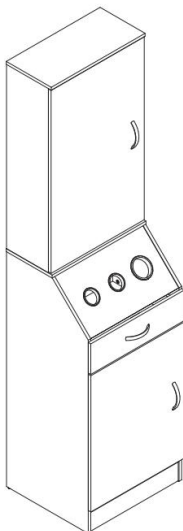
"Save Half", "Half Price" or any other similar expressions used by us only represents an estimate of savings you might benefit from buying certain tools with us compared to the major top brands and does not necessarily mean to cover all categories of tools offered by us. You are kindly reminded to verify carefully when you are placing an order with us if you are actually saving half in comparison with the top major brands.

# VEVOR<sup>®</sup>

TOUGH TOOLS, HALF PRICE

## SALON STATION

MODEL:WC1010



### NEED HELP? CONTACT US!

Have product questions? Need technical support? Please feel free to contact us:

**Technical Support and E-Warranty Certificate**  
[www.vevor.com/support](http://www.vevor.com/support)

This is the original instruction, please read all manual instructions carefully before operating. VEVOR reserves a clear interpretation of our user manual. The appearance of the product shall be subject to the product you received. Please forgive us that we won't inform you again if there are any technology or software updates on our product.

## SAFETY INSTRUCTIONS

### **WARNING:**

Read this instructions carefully before using this product. Failure to do so can result in serious injury.

### **Assembly precautions**




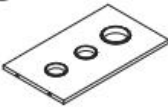
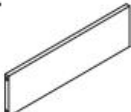









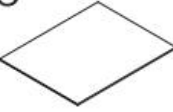

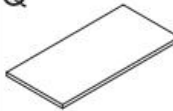
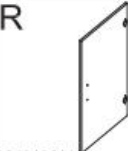







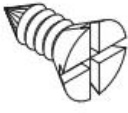



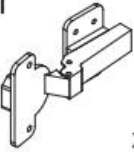


1. Assemble only should be according to these instructions. Improper assembly can result in hazards.
2. Wear ANSI-approved safety goggles and heavy-duty work gloves during assembly.
3. Keep the assembly area clean and well-lit.
4. Keep bystanders out of the area during assembly.
5. Do not assemble when tired or when under the influence of alcohol, drugs or medication.
6. The product capabilities apply to properly and completely assembled products only.
7. Assemble on a flat, level, hard and smooth surface capable of safely supporting the Salon Station.
8. For additional information regarding the parts listed in the following pages, please refer to the Assembly Diagram of this manual. Unwrap and separate all parts in a clean work area.

### **Use precautions**

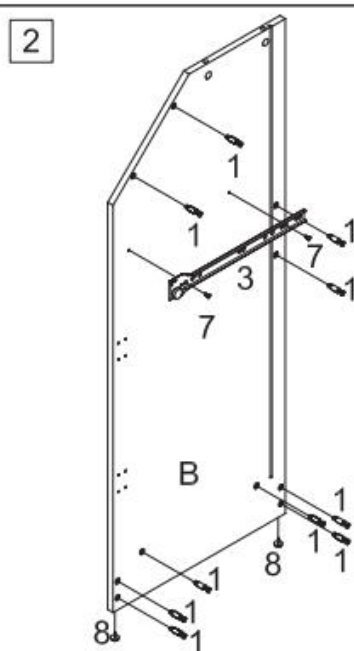
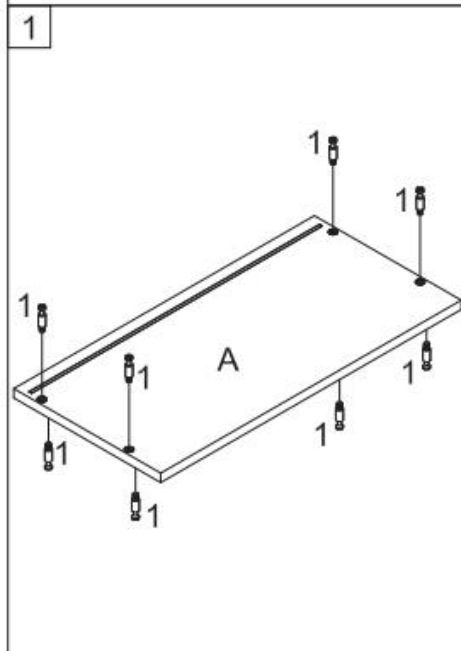
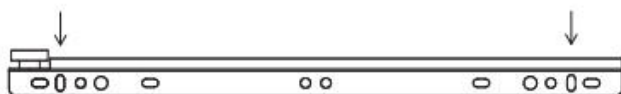
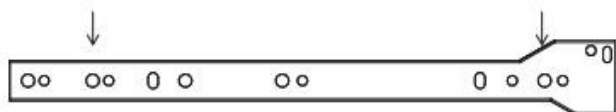
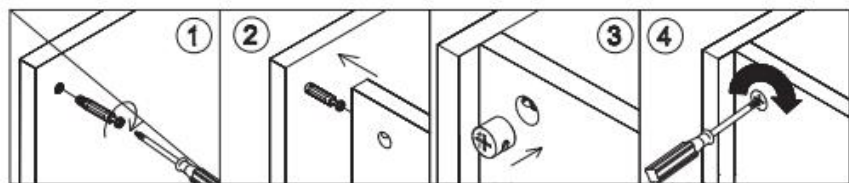
1. DO NOT SIT OR STAND ON THIS ITEM.
2. This product is not a toy. Do not allow children to play with or near this item.
3. Do not exceed weight capacities.
4. Use only on a flat, level, hard and smooth surface capable of safely supporting a fully loaded Salon Station.
5. Use as intended only.
6. Inspect before every use; do not use if parts are loose or damaged.

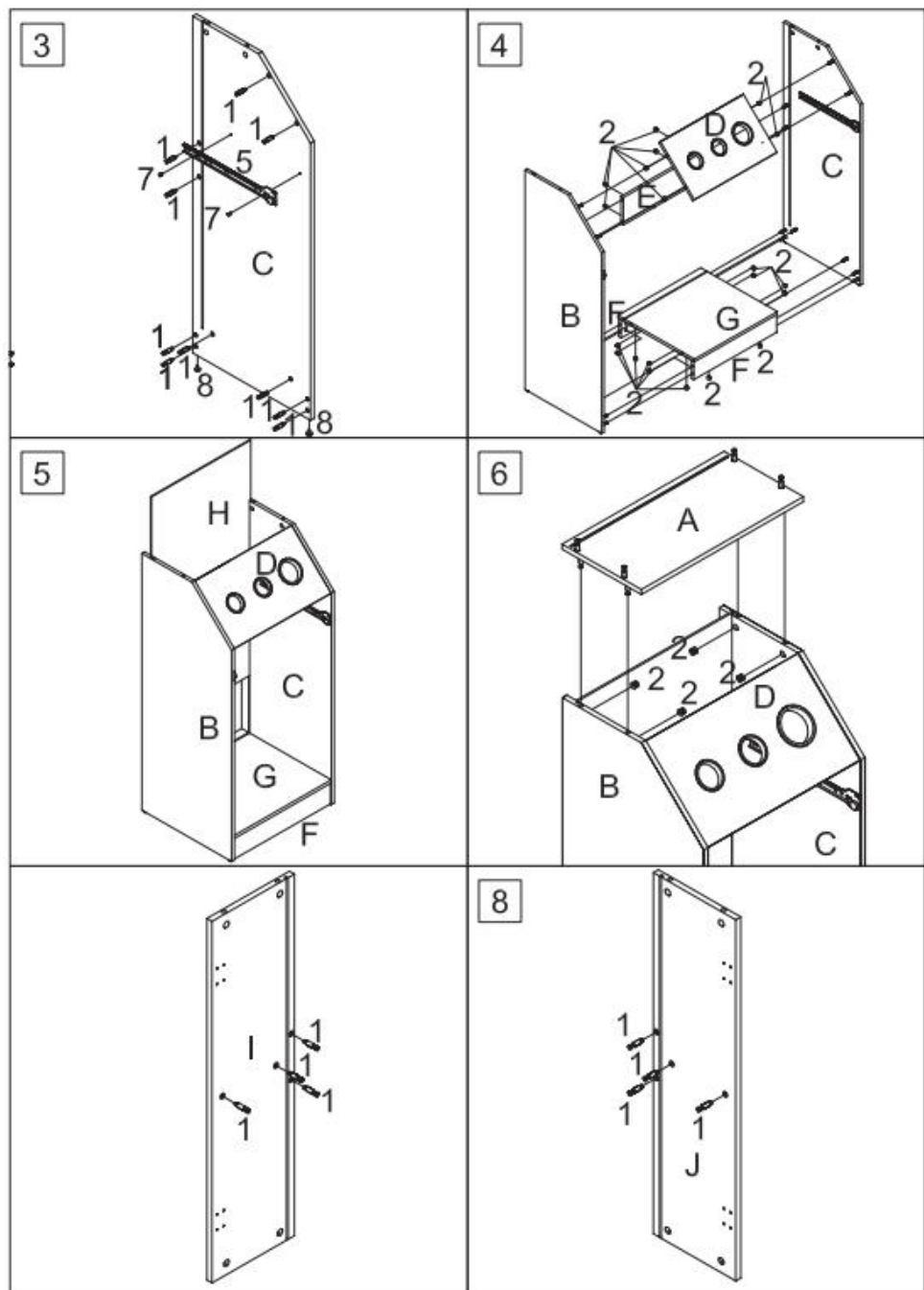
## **SAVE THESE INSTRUCTIONS**

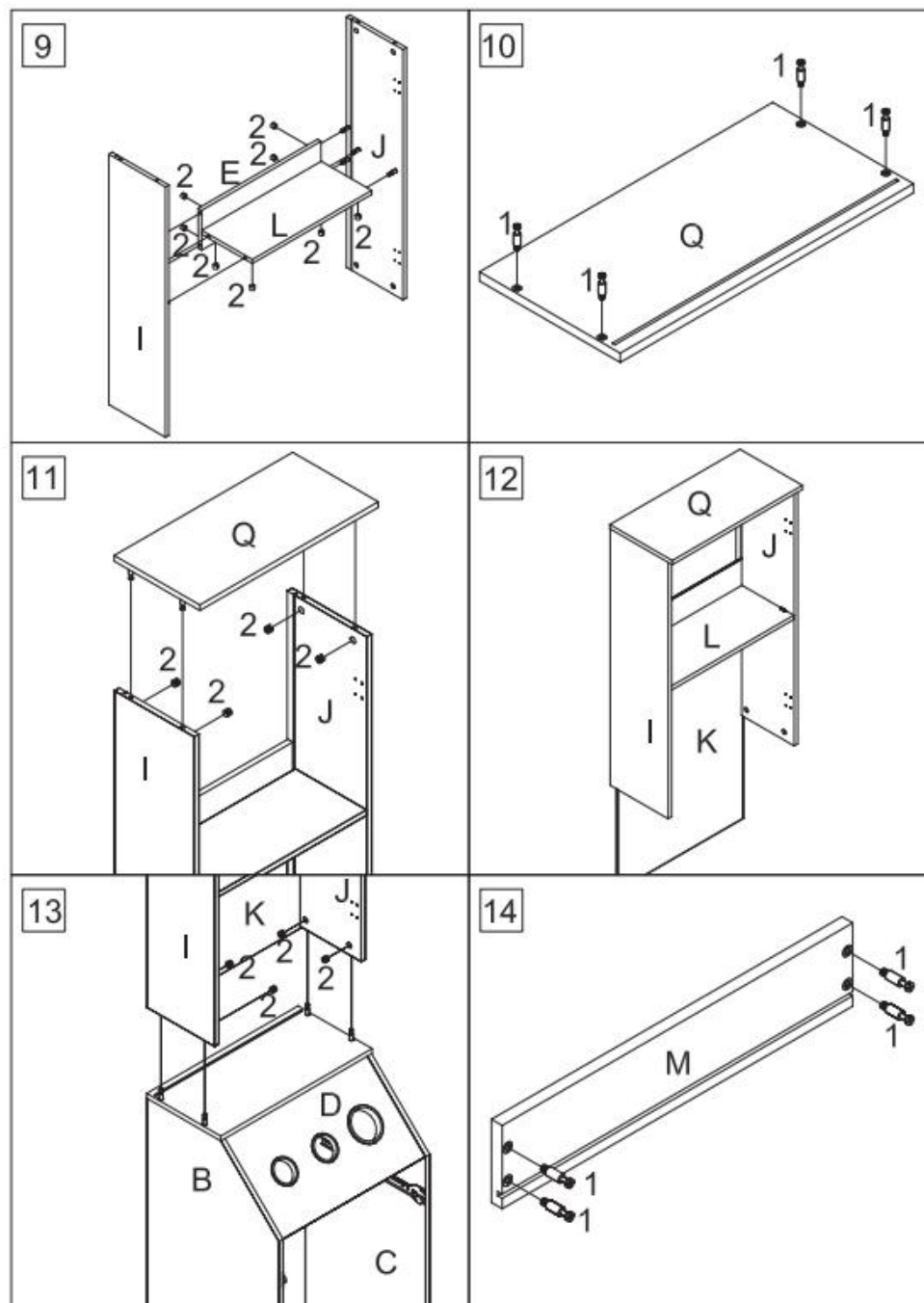
## PARTS LIST

<p><b>A</b></p>  <p>442*216*12 X1</p>	<p><b>B</b></p>  <p>961*385*12 X1</p>	<p><b>C</b></p>  <p>961*385*12 X1</p>	<p><b>D</b></p>  <p>416*240*12 X1</p>	<p><b>E</b></p>  <p>416*120*12 X2</p>
<p><b>F</b></p>  <p>416*80*12 X2</p>	<p><b>G</b></p>  <p>416*384*12 X1</p>	<p><b>H</b></p>  <p>879*426*3 X1</p>	<p><b>I</b></p>  <p>808*197*12 X1</p>	<p><b>J</b></p>  <p>808*197*12 X1</p>
<p><b>K</b></p>  <p>818*426*3 X1</p>	<p><b>L</b></p>  <p>416*176*12 X1</p>	<p><b>M</b></p>  <p>390*80*12 X1</p>	<p><b>N</b></p>  <p>285*80*12 X2</p>	<p><b>O</b></p>  <p>376*295*3 X1</p>
<p><b>P</b></p>  <p>438*125*12 X1</p>	<p><b>Q</b></p>  <p>442*212*12 X1</p>	<p><b>R</b></p>  <p>801*438*12 X1</p>	<p><b>S</b></p>  <p>570*438*12 X1</p>	<p><b>1</b></p>  <p>X48+2</p>
<p><b>2</b></p>  <p>X48+2</p>	<p><b>3</b></p>  <p>X1</p>	<p><b>4</b></p>  <p>X1</p>	<p><b>5</b></p>  <p>X1</p>	<p><b>6</b></p>  <p>X1</p>
<p><b>7</b></p>  <p>X34+2</p>	<p><b>8</b></p>  <p>X4+1</p>	<p><b>9</b></p>  <p>X3</p>	<p><b>10</b></p>  <p>ST4x25 X1</p>	<p><b>11</b></p>  <p>X4</p>
<p><b>12</b></p>  <p>X1</p>	<p><b>13</b></p>  <p>X1</p>			

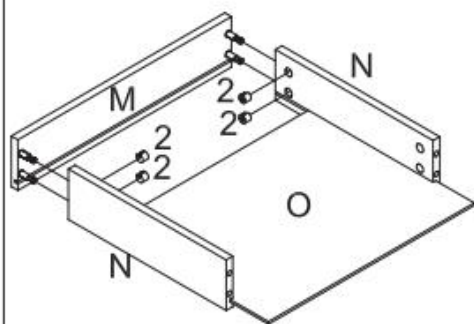
# ASSEMBLY INSTRUCTION



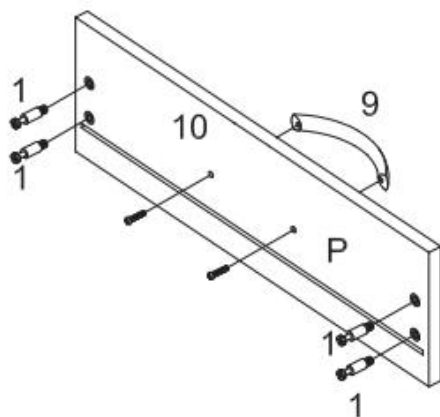




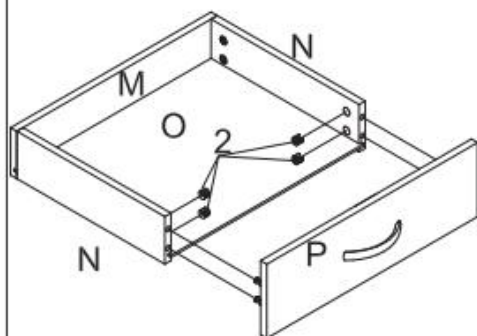
15



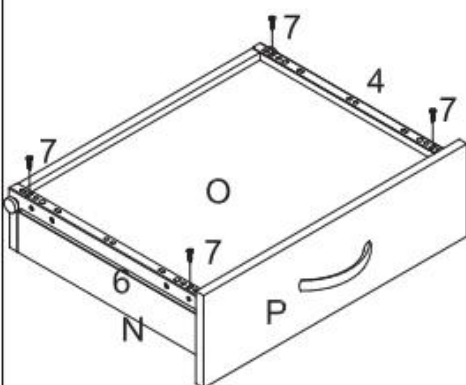
16



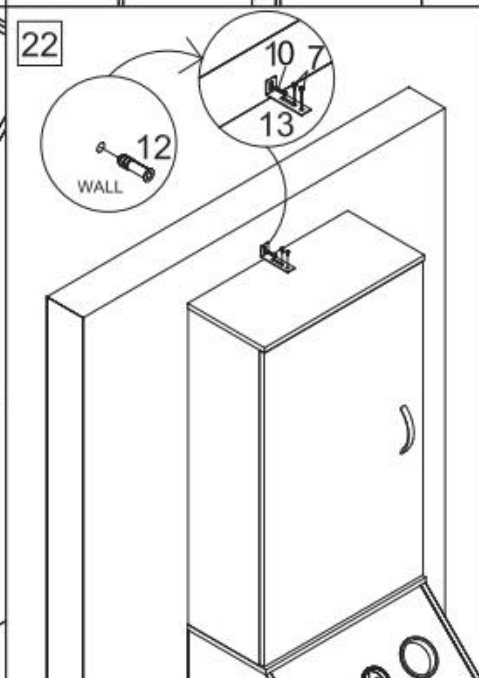
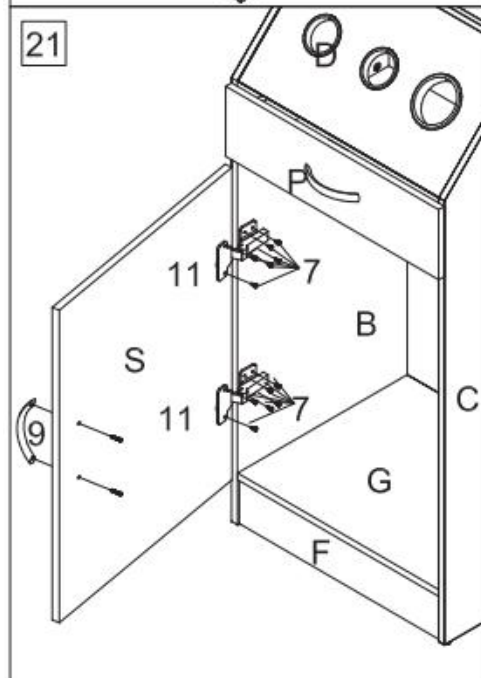
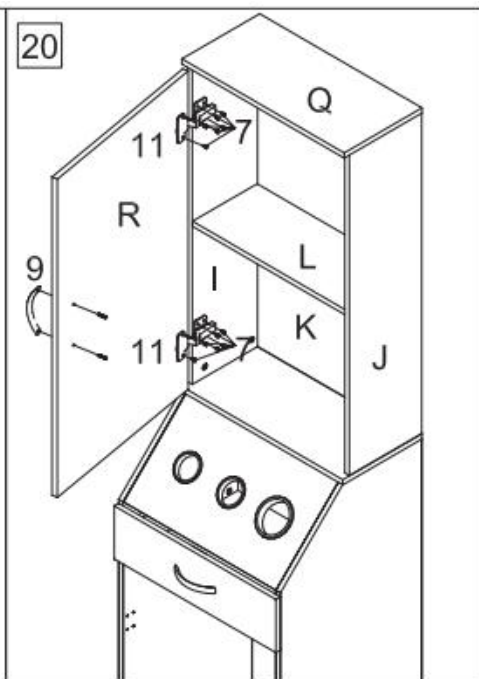
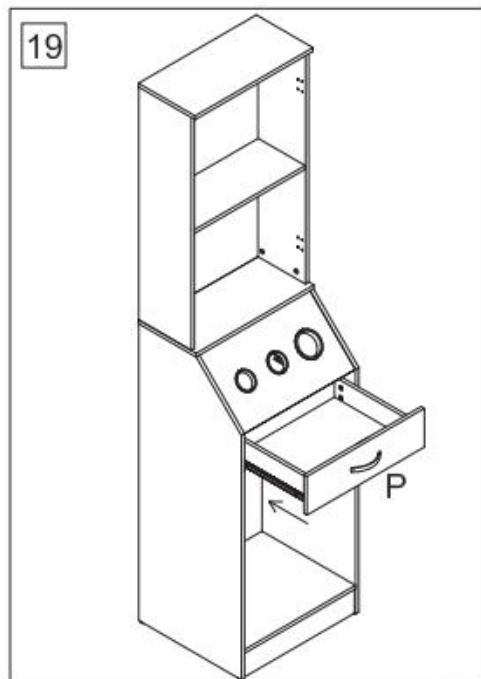
17



18







## PRODUCT PARAMETER

Size (mm)	440*400*1800
Colour	Black
Type	1 drawer +2 storage compartment
Texture	MDF+Heat resistant alloy
Handle	Aluminum alloy

Manufacturer: Shanghaimuxinmuyeyouxiangongsi

Address: Shuangchenglu 803nong11hao1602A-1609shi, baoshanqu, shanghai 200000 CN.

EC REP: E-CrossStu GmbH.

Mainzer Landstr.69, 60329 Frankfurt am Main.

UK REP: YH CONSULTING LIMITED.

C/O YH Consulting Limited Office 147, Centurion House, London Road, Staines-upon-Thames, Surrey, TW18 4AX

Imported to AUS: SIHAO PTY LTD.

1 ROKEVA STREETEASTWOOD NSW 2122 Australia

Imported to USA: Sanven Technology Ltd.

Suite 250, 9166 Anaheim Place, Rancho Cucamonga, CA 91730



**VEVOR<sup>®</sup>**

**TOUGH TOOLS, HALF PRICE**

**Technical Support and E-Warranty Certificate**

**[www.vevor.com/support](http://www.vevor.com/support)**

# **VEVOR®**

**TOUGH TOOLS, HALF PRICE**

Techniczny Certyfikat wsparcia i e-gwarancji [www.vevor.com/support](http://www.vevor.com/support)

## **STACJA SALON**

### **Bądź RĘCZNY**

We continue to be committed to provide you tools with competitive price.

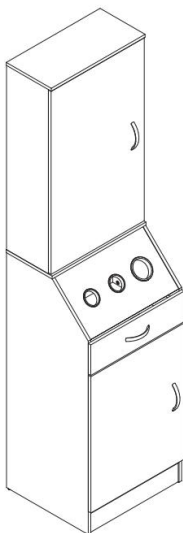
"Save Half", "Half Price" or any other similar expressions used by us only represents an estimate of savings you might benefit from buying certain tools with us compared to the major top brands and does not necessarily mean to cover all categories of tools offered by us. You are kindly reminded to verify carefully when you are placing an order with us if you are actually saving half in comparison with the top major brands.

# VEVOR<sup>®</sup>

TOUGH TOOLS, HALF PRICE

## SALON STATION

MODEL: WC1010



### NEED HELP? CONTACT US!

Have product questions? Need technical support? Please feel free to contact us:

**Technical Support and E-Warranty Certificate**  
[www.vevor.com/support](http://www.vevor.com/support)

This is the original instruction, please read all manual instructions carefully before operating. VEVOR reserves a clear interpretation of our user manual. The appearance of the product shall be subject to the product you received. Please forgive us that we won't inform you again if there are any technology or software updates on our product.

## SAFETY INSTRUCTIONS

### **OSTRZEŻENIE:**

Przeczytaj uważnie niniejszą instrukcję przed użyciem tego produktu. Niezastosowanie się do tego może spowodować poważne obrażenia.

### **Środki ostrożności podczas montażu**


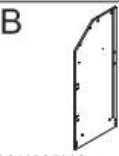

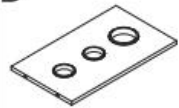
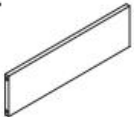


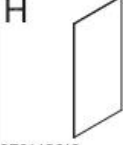

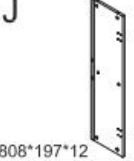



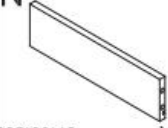
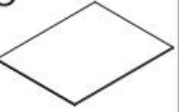
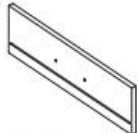

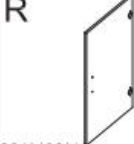
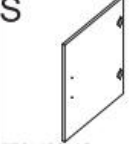





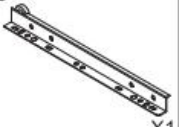
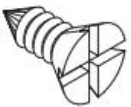


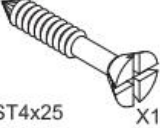
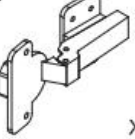


9. Montaż powinien odbywać się wyłącznie zgodnie z niniejszą instrukcją. Nieprawidłowy montaż może powodować zagrożenia.
10. Podczas montażu należy nosić okulary ochronne i wytrzymałe rękawice robocze zatwierdzone przez ANSI.
11. Utrzymuj miejsce zbiórki w czystości i dobrze oświetlone.
12. Podczas montażu trzymaj osoby postronne z dala od obszaru.
13. Nie należy montować, gdy jest się zmęczonym lub pod wpływem alkoholu, narkotyków lub leków.
14. Możliwości produktu dotyczą wyłącznie produktów prawidłowo i całkowicie zmontowanych.
15. Zmontuj na płaskiej, poziomej, twardej i gładkiej powierzchni, która może bezpiecznie utrzymać stację Salon Station.
16. Dodatkowe informacje dotyczące części wymienionych na kolejnych stronach można znaleźć w schemacie montażu w niniejszej instrukcji. Rozpakuj i oddziel wszystkie części w czystym miejscu pracy.

### **Stosuj środki ostrożności**

7. NIE SIEDŹ ANI NIE STAJ NA TYM PRZEDMIOCIE.
8. Ten produkt nie jest zabawką. Nie pozwalaj dzieciom bawić się tym przedmiotem lub w jego pobliżu.
9. Nie przekraczaj udźwigu.
10. Używaj wyłącznie na płaskiej, równej, twardej i gładkiej powierzchni, która może bezpiecznie utrzymać w pełni obciążony Salon Station .
11. Używaj wyłącznie zgodnie z przeznaczeniem.
12. Sprawdź przed każdym użyciem; nie używać, jeśli części są luźne lub uszkodzone.

# ZACHOWAJ INSTRUKCJĘ ESE

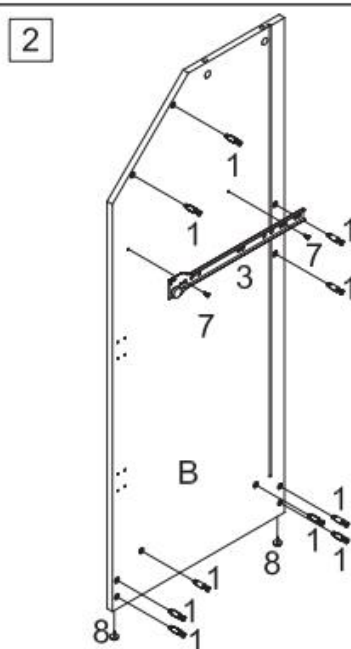
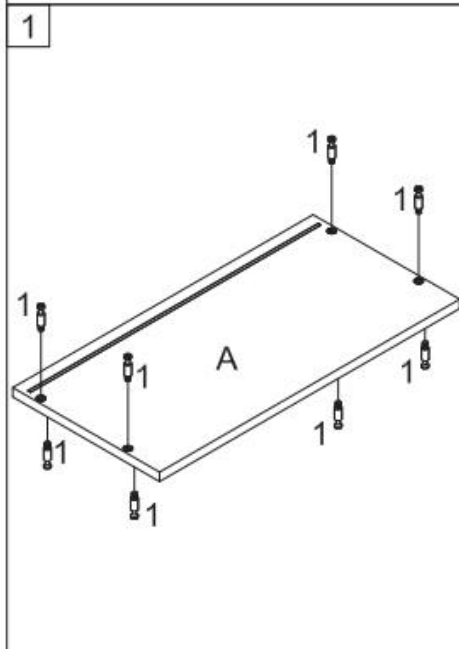
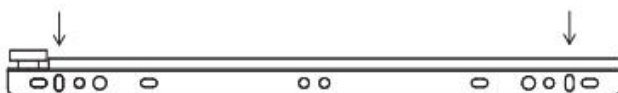
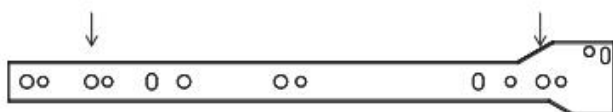
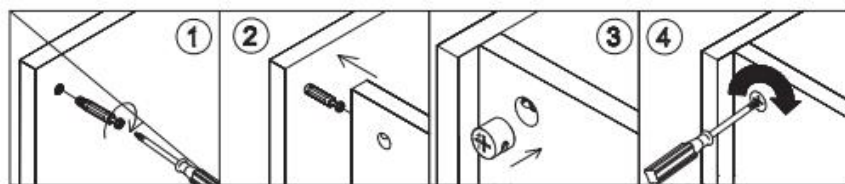
## PARTS LIST

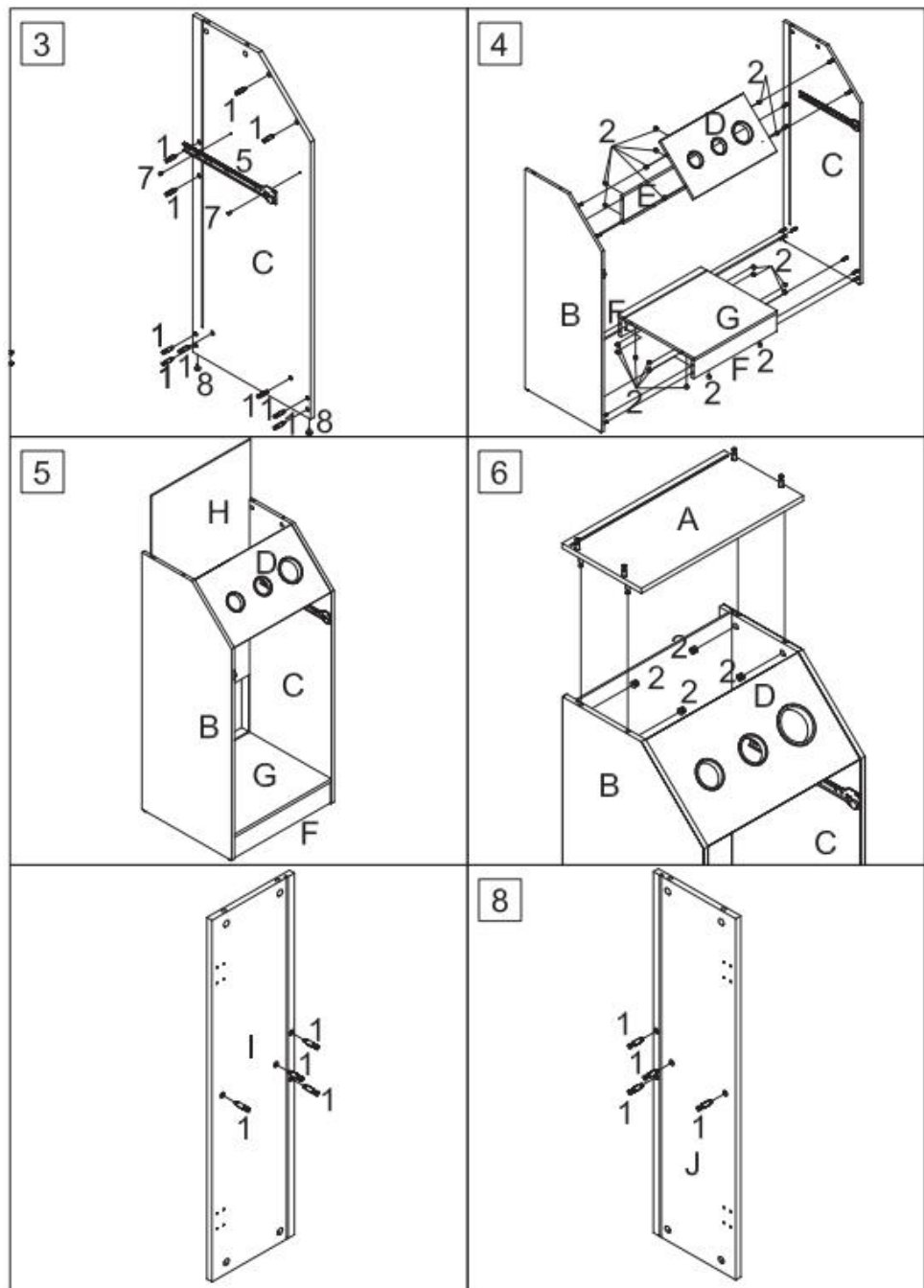
<p><b>A</b></p>  <p>442*216*12 X1</p>	<p><b>B</b></p>  <p>961*385*12 X1</p>	<p><b>C</b></p>  <p>961*385*12 X1</p>	<p><b>D</b></p>  <p>416*240*12 X1</p>	<p><b>E</b></p>  <p>416*120*12 X2</p>
<p><b>F</b></p>  <p>416*80*12 X2</p>	<p><b>G</b></p>  <p>416*384*12 X1</p>	<p><b>H</b></p>  <p>879*426*3 X1</p>	<p><b>I</b></p>  <p>808*197*12 X1</p>	<p><b>J</b></p>  <p>808*197*12 X1</p>
<p><b>K</b></p>  <p>818*426*3 X1</p>	<p><b>L</b></p>  <p>416*176*12 X1</p>	<p><b>M</b></p>  <p>390*80*12 X1</p>	<p><b>N</b></p>  <p>285*80*12 X2</p>	<p><b>O</b></p>  <p>376*295*3 X1</p>
<p><b>P</b></p>  <p>438*125*12 X1</p>	<p><b>Q</b></p>  <p>442*212*12 X1</p>	<p><b>R</b></p>  <p>801*438*12 X1</p>	<p><b>S</b></p>  <p>570*438*12 X1</p>	<p><b>1</b></p>  <p>X48+2</p>
<p><b>2</b></p>  <p>X48+2</p>	<p><b>3</b></p>  <p>X1</p>	<p><b>4</b></p>  <p>X1</p>	<p><b>5</b></p>  <p>X1</p>	<p><b>6</b></p>  <p>X1</p>
<p><b>7</b></p>  <p>X34+2</p>	<p><b>8</b></p>  <p>X4+1</p>	<p><b>9</b></p>  <p>X3</p>	<p><b>10</b></p>  <p>ST4x25 X1</p>	<p><b>11</b></p>  <p>X4</p>
<p><b>12</b></p>  <p>X1</p>	<p><b>13</b></p>  <p>X1</p>			

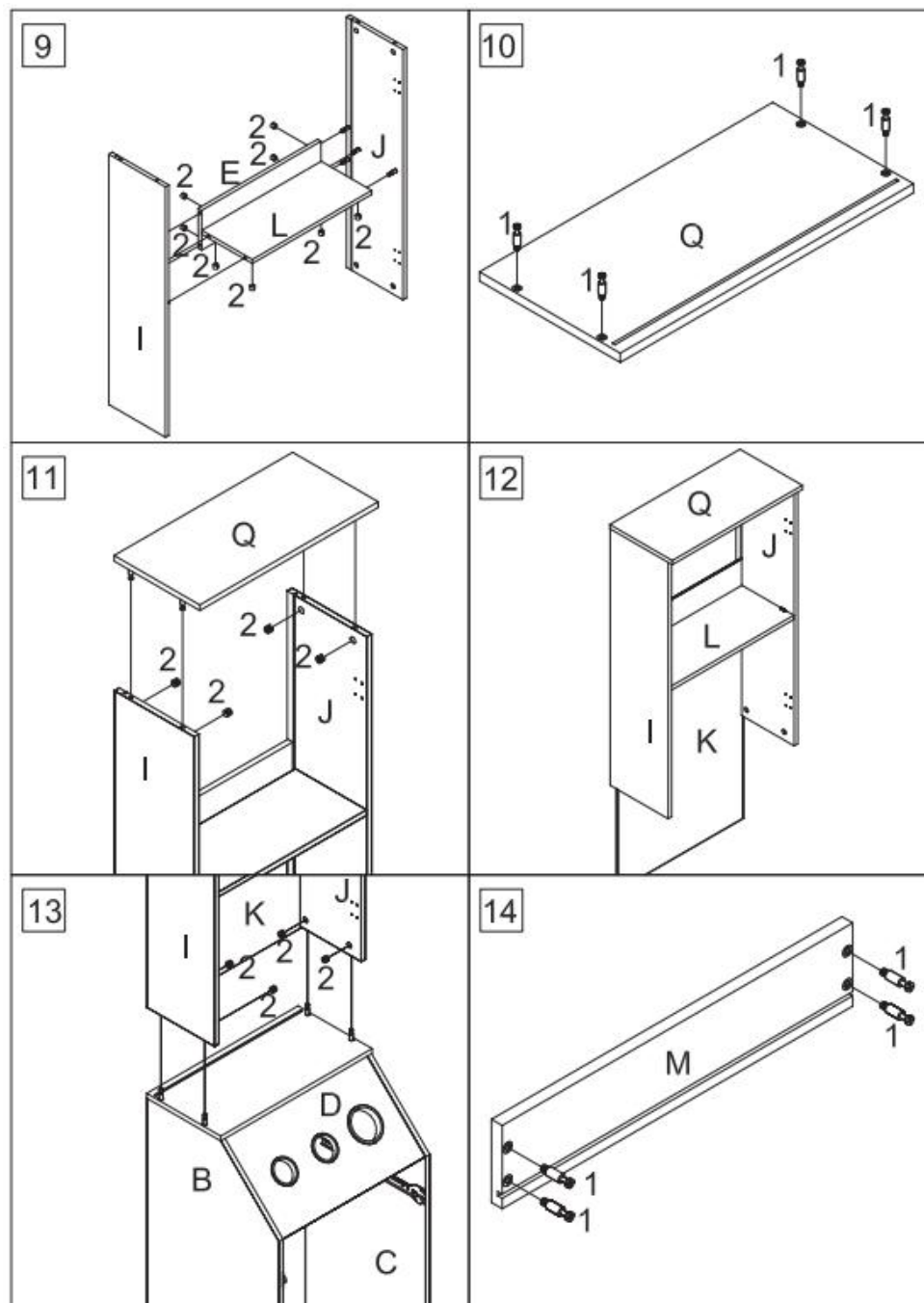




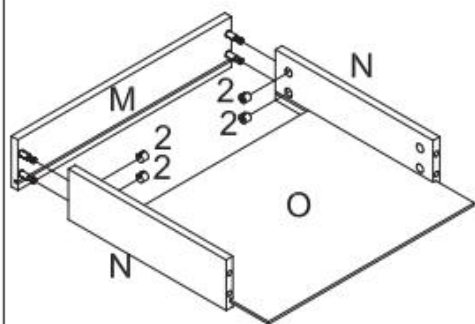
# ASSEMBLY INSTRUCTION



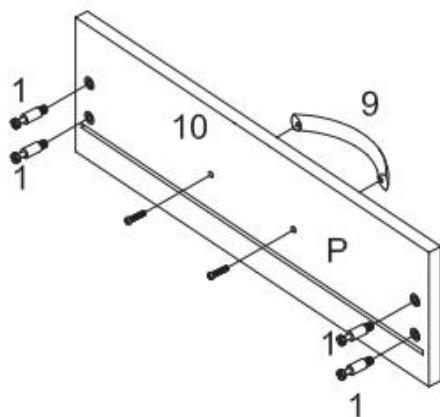




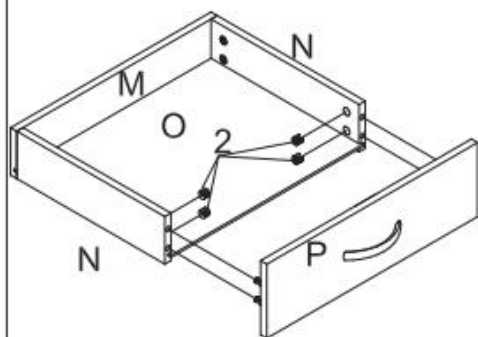
15



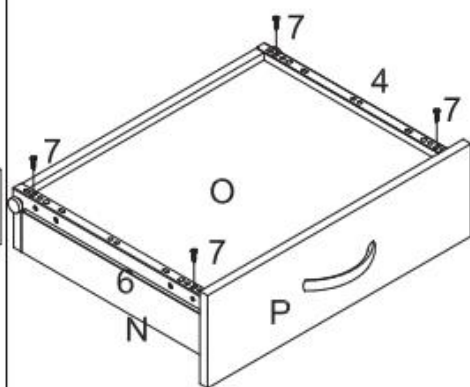
16

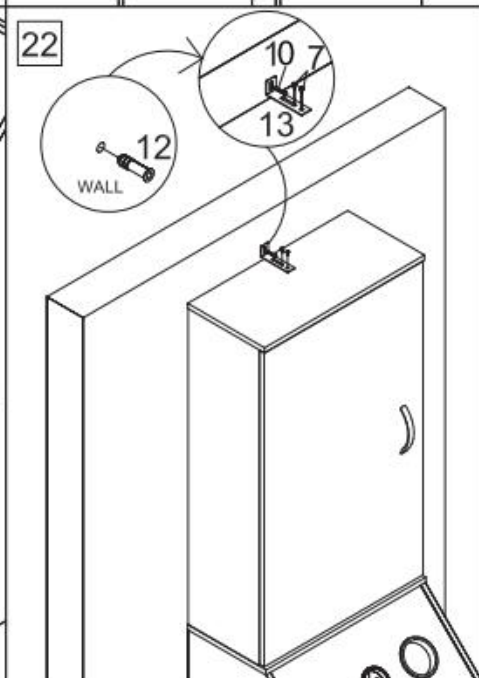
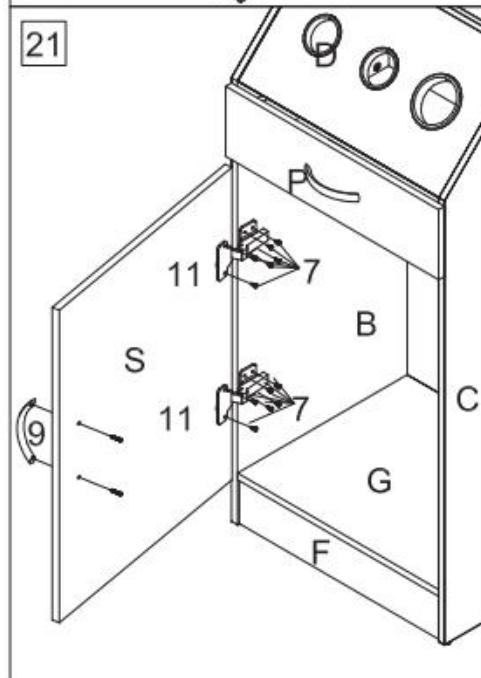
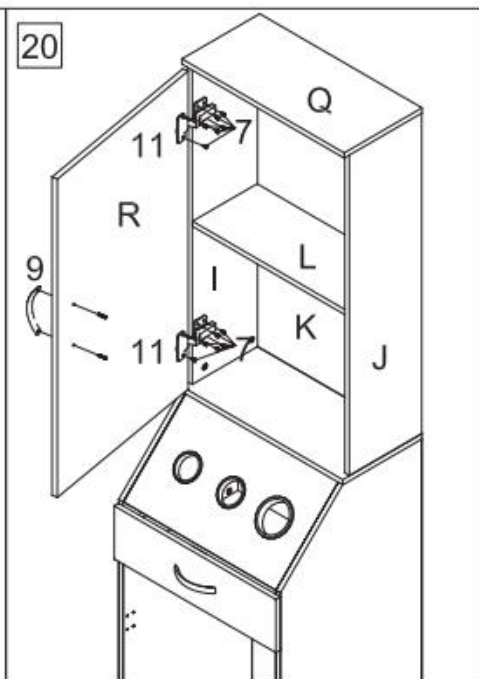
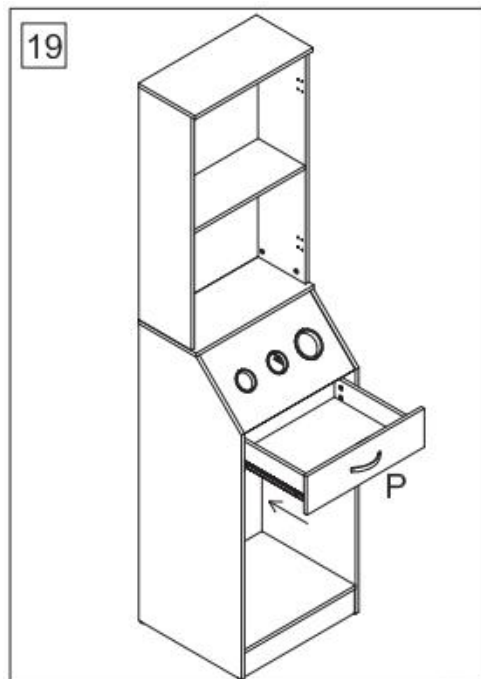


17



18





## PRODUCT PARAMETER

Rozmiar (mm)	440*400*1800
Kolor	Czarny
Typ	1 szuflada + 2 schowki
tekstura	MDF + stop żaroodporny
Uchwyt	Stop aluminium





**VEVOR**<sup>®</sup>

**TOUGH TOOLS, HALF PRICE**

**Techniczny Certyfikat wsparcia i e-gwarancji**

**[www.vevor.com/support](http://www.vevor.com/support)**

# **VEVOR<sup>®</sup>**

**TOUGH TOOLS, HALF PRICE**

Technisch Support- und E-Garantie-Zertifikat [www.vevor.com/support](http://www.vevor.com/support)

## **SALON-STATION**

### **Seien Sie MANUELL**

We continue to be committed to provide you tools with competitive price.

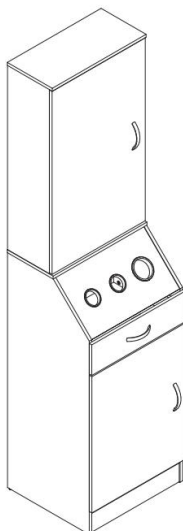
"Save Half", "Half Price" or any other similar expressions used by us only represents an estimate of savings you might benefit from buying certain tools with us compared to the major top brands and does not necessarily mean to cover all categories of tools offered by us. You are kindly reminded to verify carefully when you are placing an order with us if you are actually saving half in comparison with the top major brands.

# VEVOR®

TOUGH TOOLS, HALF PRICE

## SALON STATION

MODELL: WC1010



### NEED HELP? CONTACT US!

Have product questions? Need technical support? Please feel free to contact us:

**Technical Support and E-Warranty Certificate**  
**[www.vevor.com/support](http://www.vevor.com/support)**

This is the original instruction, please read all manual instructions carefully before operating. VEVOR reserves a clear interpretation of our user manual. The appearance of the product shall be subject to the product you received. Please forgive us that we won't inform you again if there are any technology or software updates on our product.

## SAFETY INSTRUCTIONS

### **WARNUNG:**

Lesen Sie diese Anweisungen sorgfältig durch, bevor Sie dieses Produkt verwenden. Andernfalls kann es zu schweren Verletzungen kommen.

### **Vorsichtsmaßnahmen bei der Montage**




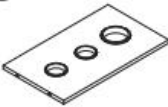
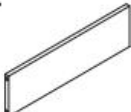









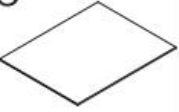
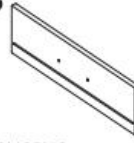
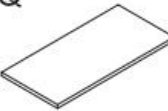
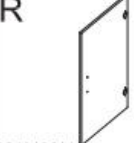
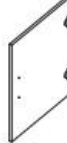






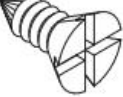



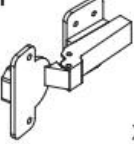


17. Der Zusammenbau sollte nur gemäß dieser Anleitung erfolgen. Durch unsachgemäße Montage können Gefahren entstehen.
18. Tragen Sie während der Montage eine ANSI-zugelassene Schutzbrille und strapazierfähige Arbeitshandschuhe.
19. Halten Sie den Montagebereich sauber und gut beleuchtet.
20. Halten Sie Unbeteiligte während der Montage vom Bereich fern.
21. Nicht aufbauen, wenn Sie müde sind oder unter dem Einfluss von Alkohol, Drogen oder Medikamenten stehen.
22. Die Produkteigenschaften gelten nur für ordnungsgemäß und vollständig montierte Produkte.
23. Auf einer flachen, ebenen, harten und glatten Oberfläche montieren, die die Salonstation sicher tragen kann.
24. Weitere Informationen zu den auf den folgenden Seiten aufgeführten Teilen finden Sie im Montagediagramm dieser Anleitung. Packen Sie alle Teile aus und trennen Sie sie an einem sauberen Arbeitsplatz.

### **Treffen Sie Vorsichtsmaßnahmen**

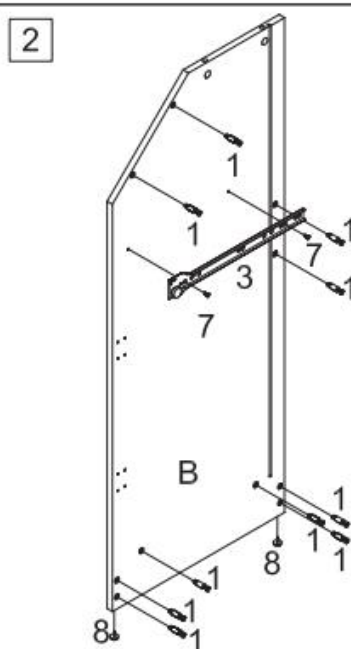
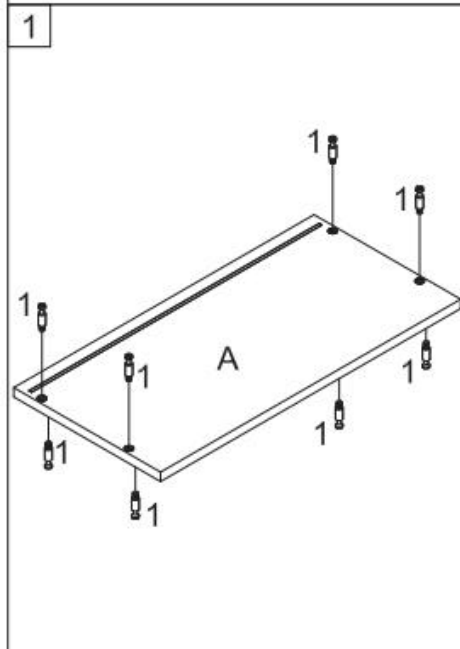
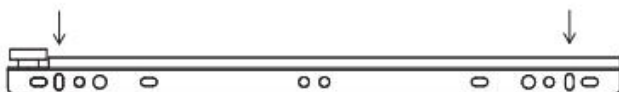
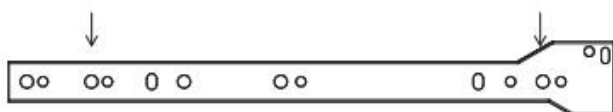
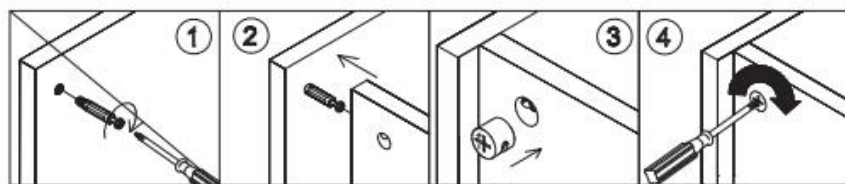
13. SITZEN ODER STEHEN SIE NICHT AUF DIESEM ARTIKEL.
14. Dieses Produkt ist kein Spielzeug. Erlauben Sie Kindern nicht, mit oder in der Nähe dieses Artikels zu spielen.
15. Überschreiten Sie nicht die Gewichtskapazität.
16. Salon Station sicher tragen kann .
17. Nur bestimmungsgemäß verwenden.
18. Vor jedem Gebrauch prüfen; Nicht verwenden, wenn Teile lose oder beschädigt sind.

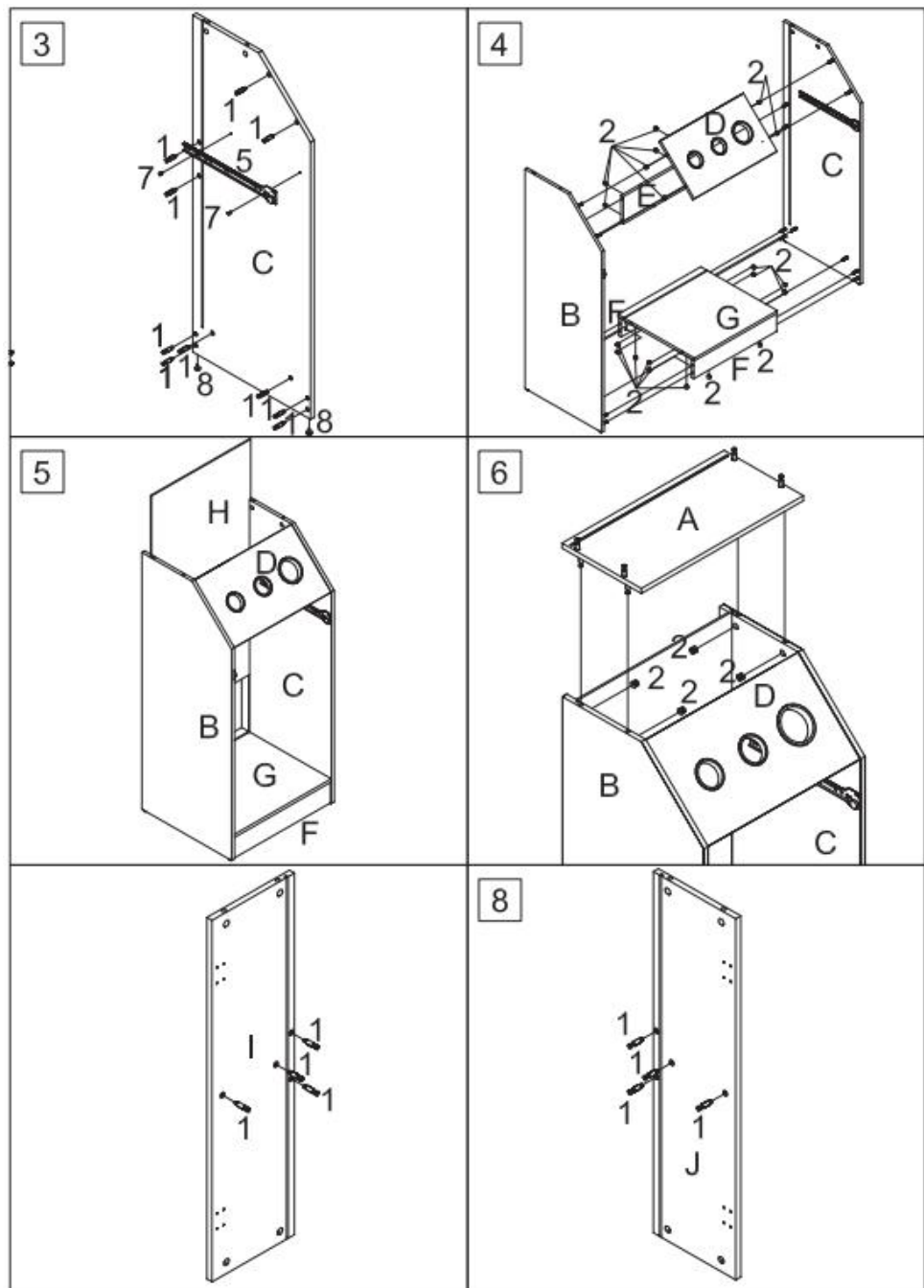
**BEWAHREN SIE DIE ESE-ANWEISUNGEN AUF**

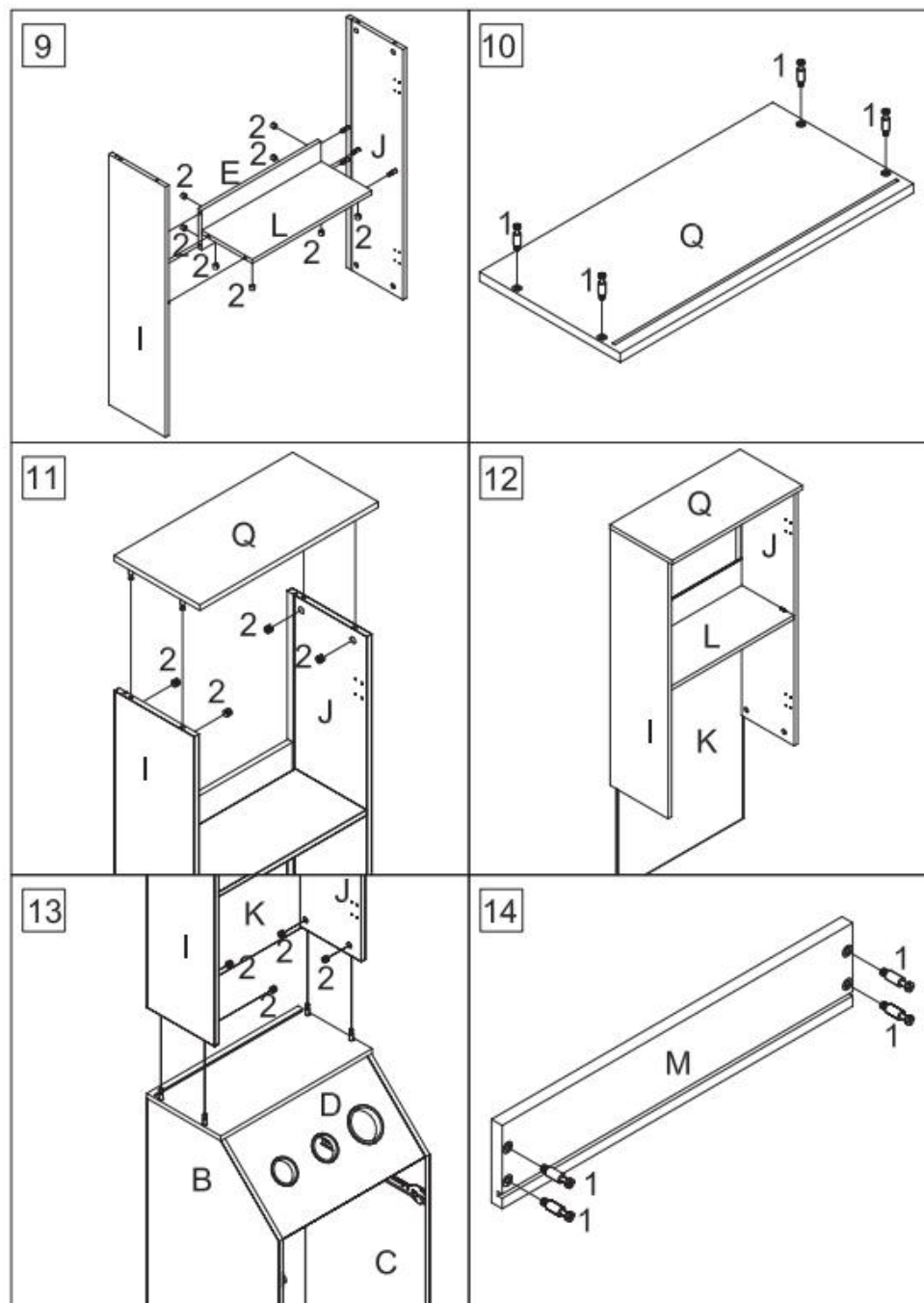
## PARTS LIST

<p><b>A</b></p>  <p>442*216*12 X1</p>	<p><b>B</b></p>  <p>961*385*12 X1</p>	<p><b>C</b></p>  <p>961*385*12 X1</p>	<p><b>D</b></p>  <p>416*240*12 X1</p>	<p><b>E</b></p>  <p>416*120*12 X2</p>
<p><b>F</b></p>  <p>416*80*12 X2</p>	<p><b>G</b></p>  <p>416*384*12 X1</p>	<p><b>H</b></p>  <p>879*426*3 X1</p>	<p><b>I</b></p>  <p>808*197*12 X1</p>	<p><b>J</b></p>  <p>808*197*12 X1</p>
<p><b>K</b></p>  <p>818*426*3 X1</p>	<p><b>L</b></p>  <p>416*176*12 X1</p>	<p><b>M</b></p>  <p>390*80*12 X1</p>	<p><b>N</b></p>  <p>285*80*12 X2</p>	<p><b>O</b></p>  <p>376*295*3 X1</p>
<p><b>P</b></p>  <p>438*125*12 X1</p>	<p><b>Q</b></p>  <p>442*212*12 X1</p>	<p><b>R</b></p>  <p>801*438*12 X1</p>	<p><b>S</b></p>  <p>570*438*12 X1</p>	<p><b>1</b></p>  <p>X48+2</p>
<p><b>2</b></p>  <p>X48+2</p>	<p><b>3</b></p>  <p>X1</p>	<p><b>4</b></p>  <p>X1</p>	<p><b>5</b></p>  <p>X1</p>	<p><b>6</b></p>  <p>X1</p>
<p><b>7</b></p>  <p>X34+2</p>	<p><b>8</b></p>  <p>X4+1</p>	<p><b>9</b></p>  <p>X3</p>	<p><b>10</b></p>  <p>ST4x25 X1</p>	<p><b>11</b></p>  <p>X4</p>
<p><b>12</b></p>  <p>X1</p>	<p><b>13</b></p>  <p>X1</p>			

# ASSEMBLY INSTRUCTION

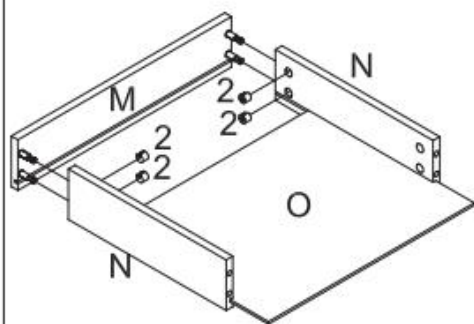




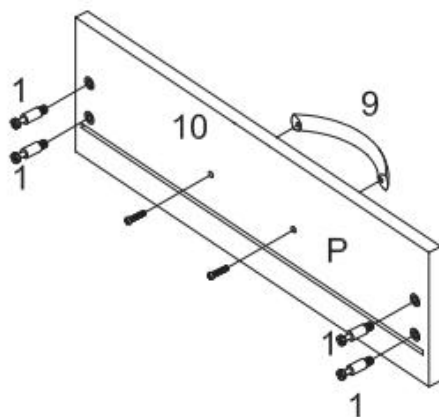




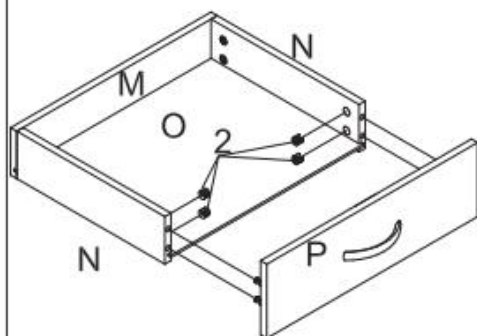
15



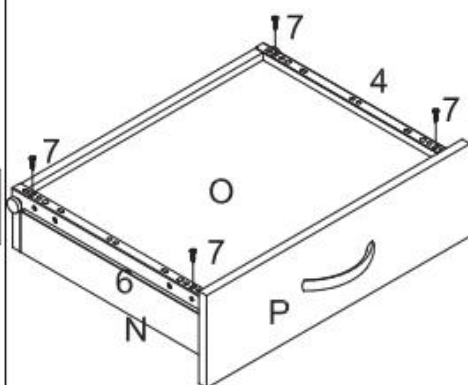
16

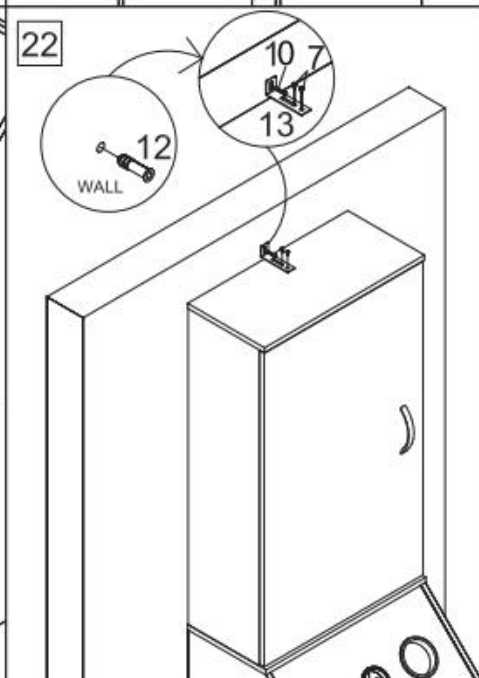
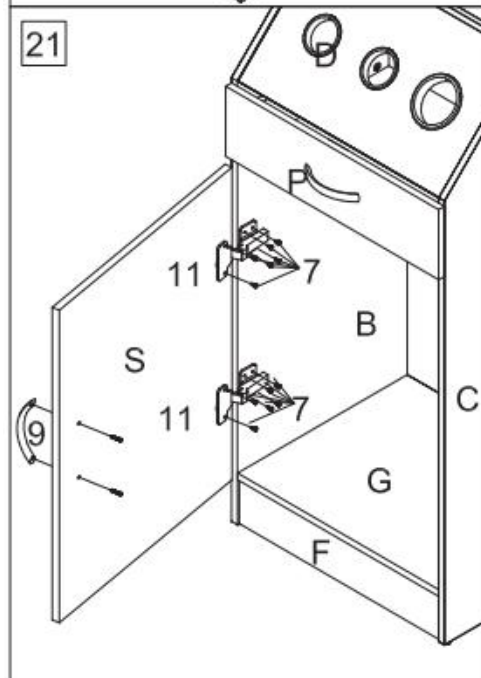
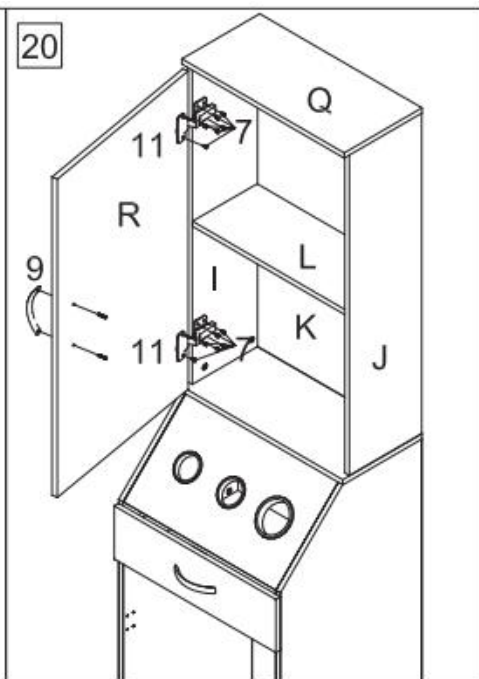
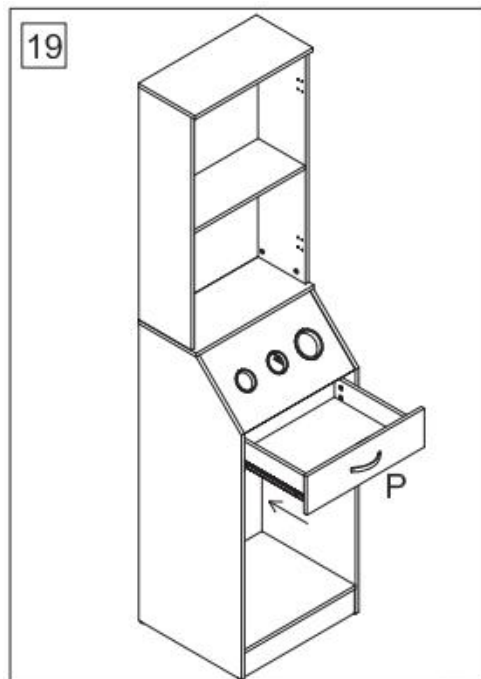


17



18





## PRODUCT PARAMETER

Größe (mm)	440*400*1800
Farbe	Schwarz
Typ	1 Schublade +2 Ablagefächer
Textur	MDF + hitzebeständige Legierung
Handhaben	Aluminiumlegierung



**VEVOR**<sup>®</sup>

**TOUGH TOOLS, HALF PRICE**

**Technisch Support- und E-Garantiezertifikat**

**[www.vevor.com/support](http://www.vevor.com/support)**

# **VEVOR<sup>®</sup>**

## **TOUGH TOOLS, HALF PRICE**

Technique Assistance et certificat de garantie électronique

[www.vevor.com/support](http://www.vevor.com/support)

## **STATION SALON**

## **Tu ES MANUEL**

We continue to be committed to provide you tools with competitive price.

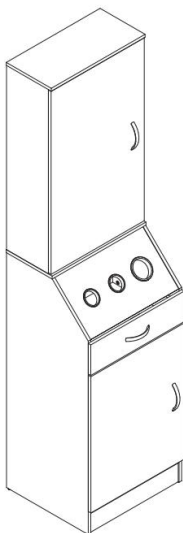
"Save Half", "Half Price" or any other similar expressions used by us only represents an estimate of savings you might benefit from buying certain tools with us compared to the major top brands and does not necessarily mean to cover all categories of tools offered by us. You are kindly reminded to verify carefully when you are placing an order with us if you are actually saving half in comparison with the top major brands.

# VEVOR®

TOUGH TOOLS, HALF PRICE

## SALON STATION

MODÈLE : WC1010



### NEED HELP? CONTACT US!

Have product questions? Need technical support? Please feel free to contact us:

**Technical Support and E-Warranty Certificate**  
[www.vevor.com/support](http://www.vevor.com/support)

This is the original instruction, please read all manual instructions carefully before operating. VEVOR reserves a clear interpretation of our user manual. The appearance of the product shall be subject to the product you received. Please forgive us that we won't inform you again if there are any technology or software updates on our product.

## SAFETY INSTRUCTIONS

### **AVERTISSEMENT:**

Lisez attentivement ces instructions avant d'utiliser ce produit. Ne pas le faire peut entraîner des blessures graves.

### **Précautions de montage**

25. L'assemblage ne doit se faire que selon ces instructions. Un assemblage incorrect peut entraîner des dangers.
26. Portez des lunettes de sécurité approuvées par l'ANSI et des gants de travail robustes pendant l'assemblage.
27. Gardez la zone de rassemblement propre et bien éclairée.
28. Gardez les spectateurs hors de la zone pendant l'assemblage.
29. Ne vous rassemblez pas lorsque vous êtes fatigué ou sous l'influence de l'alcool, de drogues ou de médicaments.
30. Les capacités du produit s'appliquent uniquement aux produits correctement et complètement assemblés.
31. Assemblez-le sur une surface plane, nivelée, dure et lisse, capable de supporter en toute sécurité la station de salon.
32. Pour plus d'informations concernant les pièces répertoriées dans les pages suivantes, veuillez vous référer au schéma d'assemblage de ce manuel. Déballez et séparez toutes les pièces dans une zone de travail propre.


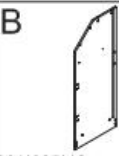
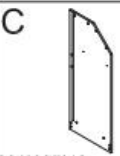

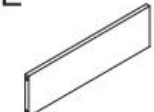


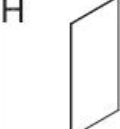
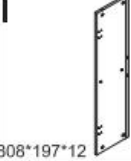
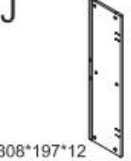
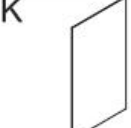


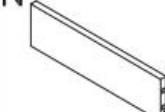
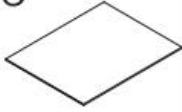

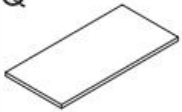
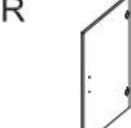
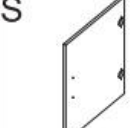

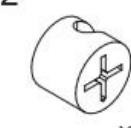








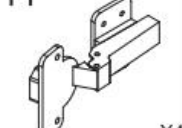


### **Utiliser des précautions**

19. NE PAS ÊTRE ASSIS OU DEBOUT SUR CET ARTICLE.
20. Ce produit n'est pas un jouet. Ne laissez pas les enfants jouer avec ou à proximité de cet article.
21. Ne dépassez pas les capacités de poids.
22. station de salon entièrement chargée .
23. Utiliser uniquement comme prévu.
24. Inspectez avant chaque utilisation ; ne pas utiliser si les pièces sont desserrées ou endommagées.



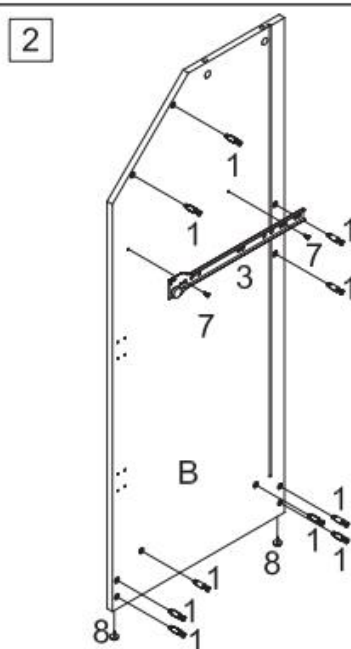
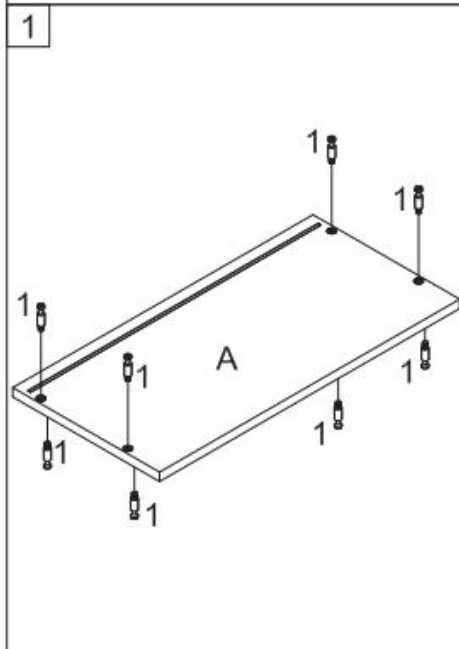
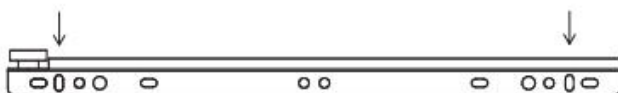
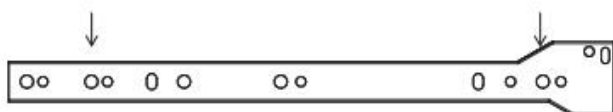
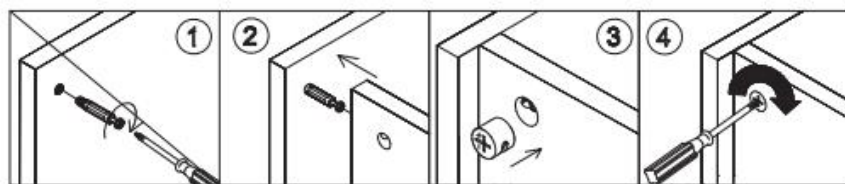
# CONSERVEZ LES INSTRUCTIONS ESE

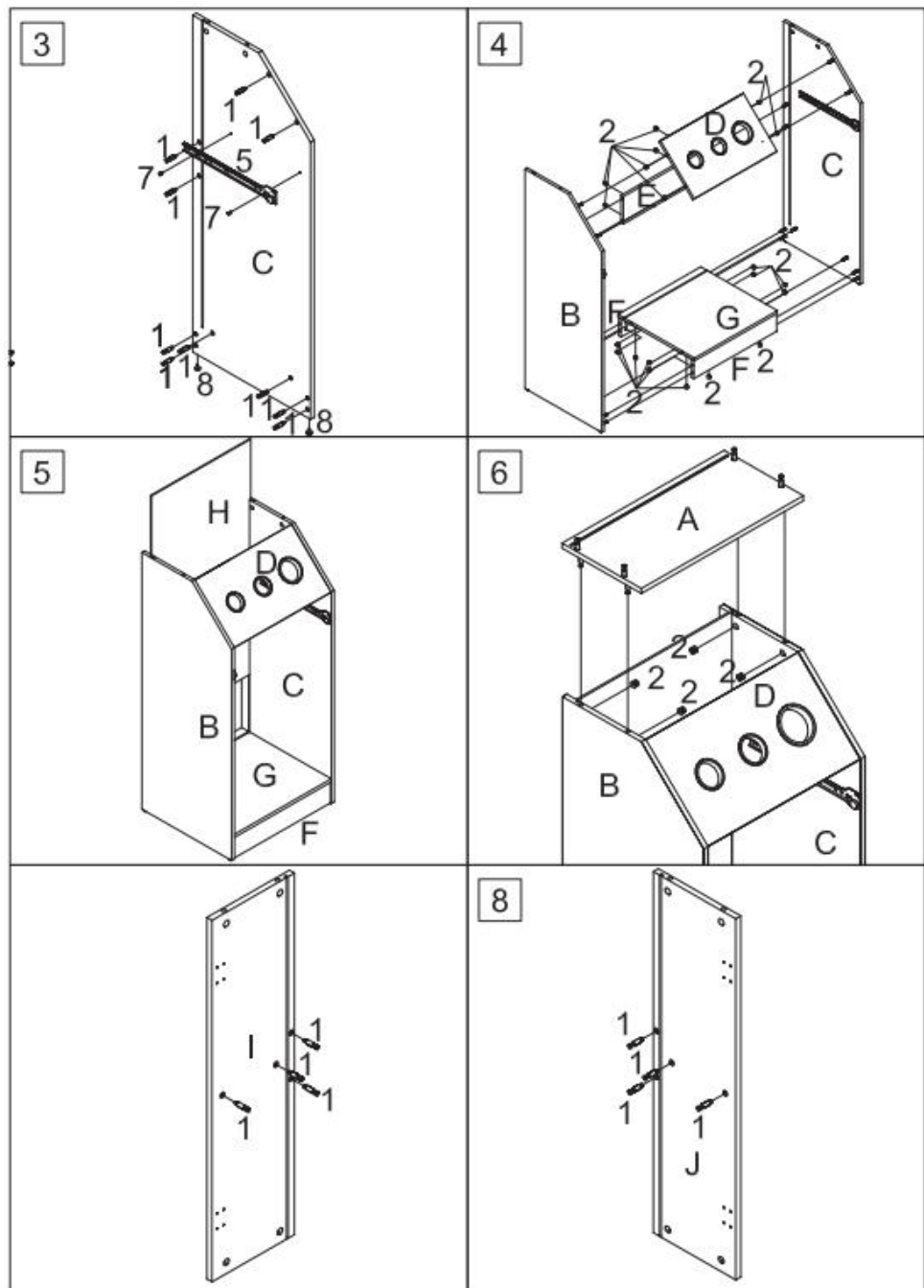
## PARTS LIST

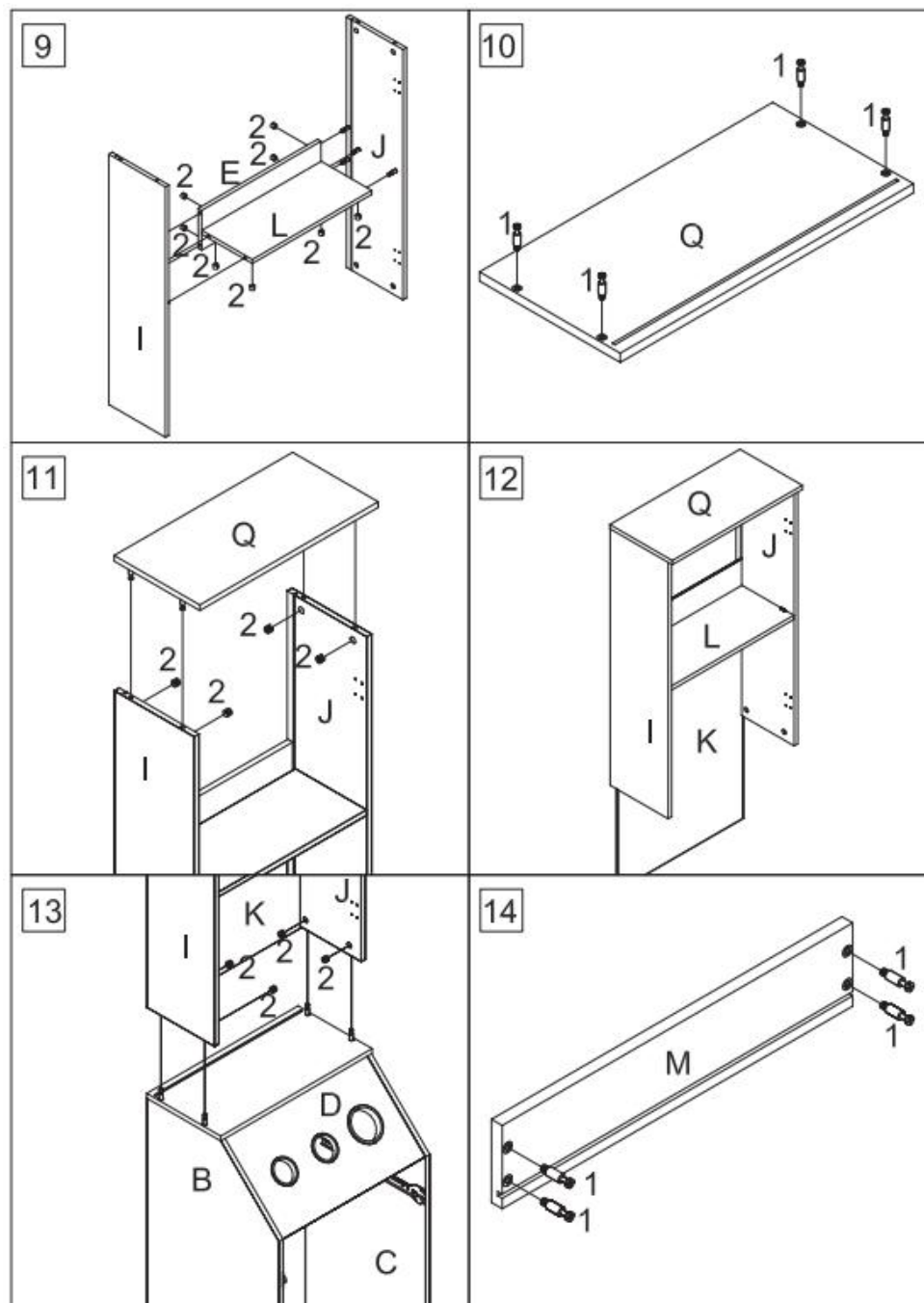
<p><b>A</b></p>  <p>442*216*12 X1</p>	<p><b>B</b></p>  <p>961*385*12 X1</p>	<p><b>C</b></p>  <p>961*385*12 X1</p>	<p><b>D</b></p>  <p>416*240*12 X1</p>	<p><b>E</b></p>  <p>416*120*12 X2</p>
<p><b>F</b></p>  <p>416*80*12 X2</p>	<p><b>G</b></p>  <p>416*384*12 X1</p>	<p><b>H</b></p>  <p>879*426*3 X1</p>	<p><b>I</b></p>  <p>808*197*12 X1</p>	<p><b>J</b></p>  <p>808*197*12 X1</p>
<p><b>K</b></p>  <p>818*426*3 X1</p>	<p><b>L</b></p>  <p>416*176*12 X1</p>	<p><b>M</b></p>  <p>390*80*12 X1</p>	<p><b>N</b></p>  <p>285*80*12 X2</p>	<p><b>O</b></p>  <p>376*295*3 X1</p>
<p><b>P</b></p>  <p>438*125*12 X1</p>	<p><b>Q</b></p>  <p>442*212*12 X1</p>	<p><b>R</b></p>  <p>801*438*12 X1</p>	<p><b>S</b></p>  <p>570*438*12 X1</p>	<p><b>1</b></p>  <p>X48+2</p>
<p><b>2</b></p>  <p>X48+2</p>	<p><b>3</b></p>  <p>X1</p>	<p><b>4</b></p>  <p>X1</p>	<p><b>5</b></p>  <p>X1</p>	<p><b>6</b></p>  <p>X1</p>
<p><b>7</b></p>  <p>X34+2</p>	<p><b>8</b></p>  <p>X4+1</p>	<p><b>9</b></p>  <p>X3</p>	<p><b>10</b></p>  <p>ST4x25 X1</p>	<p><b>11</b></p>  <p>X4</p>
<p><b>12</b></p>  <p>X1</p>	<p><b>13</b></p>  <p>X1</p>			



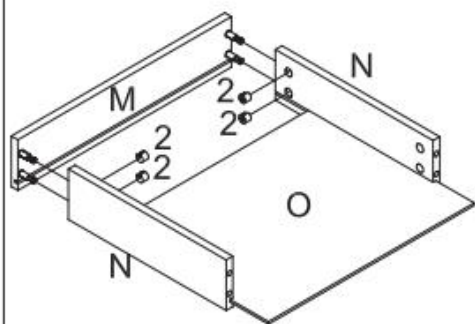
# ASSEMBLY INSTRUCTION



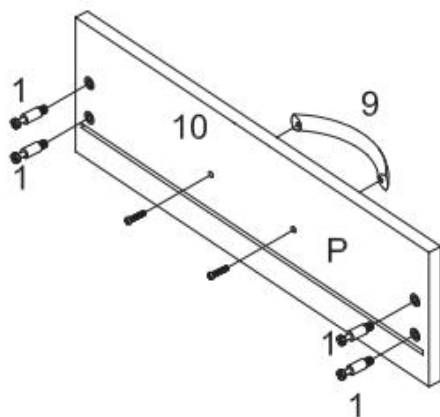




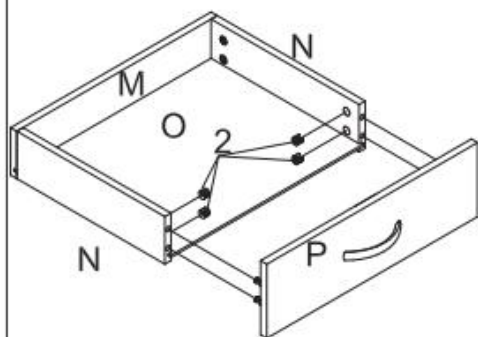
15



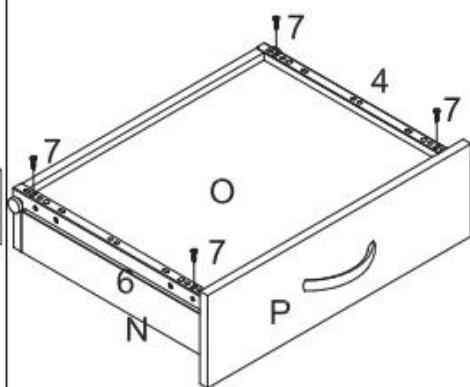
16

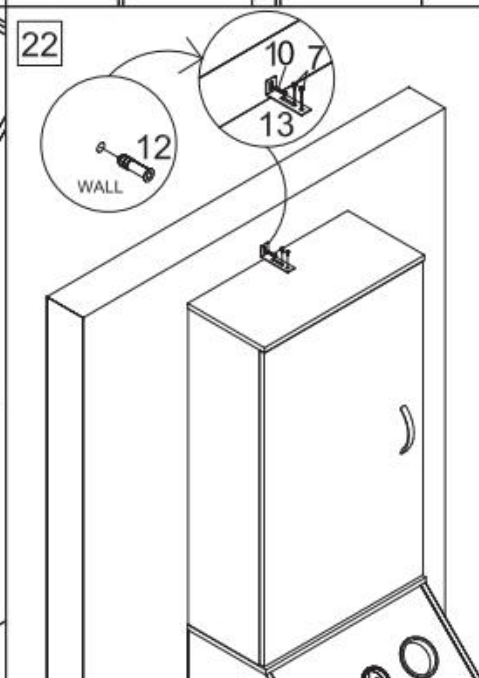
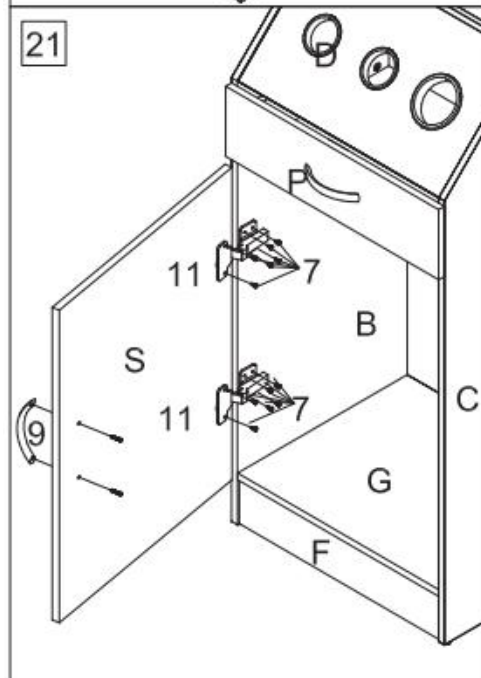
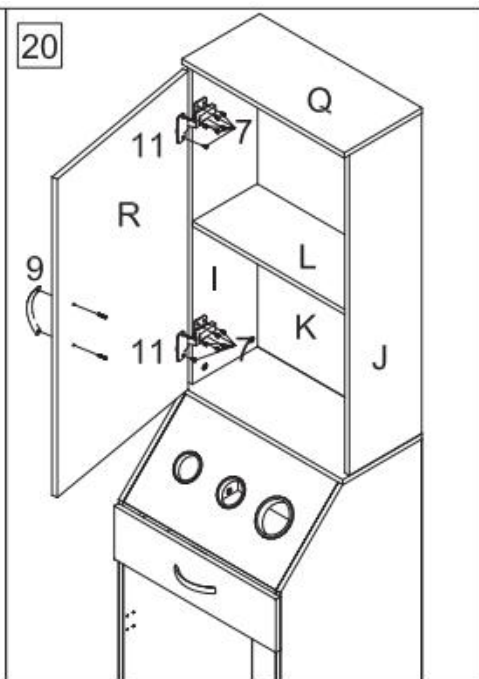
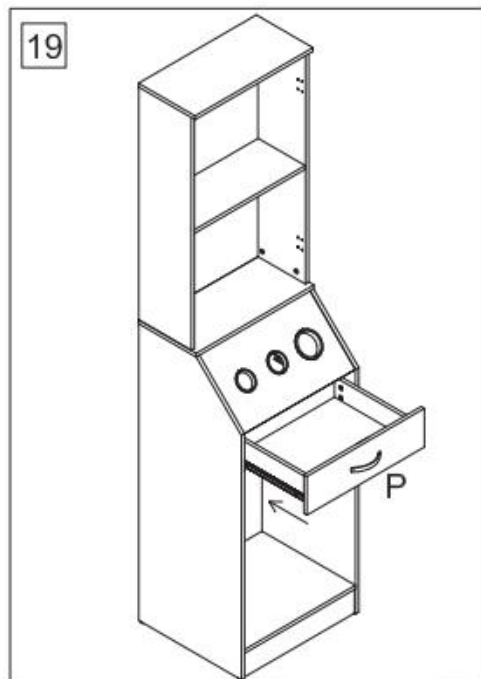


17



18





## PRODUCT PARAMETER

Taille (mm)	440*400*1800
Couleur	Noir
Taper	1 tiroir +2 compartiments de rangement
texture	MDF + alliage résistant à la chaleur
Poignée	Alliage d'aluminium







**VEVOR**<sup>®</sup>

**TOUGH TOOLS, HALF PRICE**

**Technique Assistance et certificat de garantie électronique**

**[www.vevor.com/support](http://www.vevor.com/support)**

# **VEVOR<sup>®</sup>**

## **TOUGH TOOLS, HALF PRICE**

Technisch Ondersteuning en e-garantiecertificaat [www.vevor.com/support](http://www.vevor.com/support)

### **SALONSTATION**

### **Wees HANDMATIG**

We continue to be committed to provide you tools with competitive price.

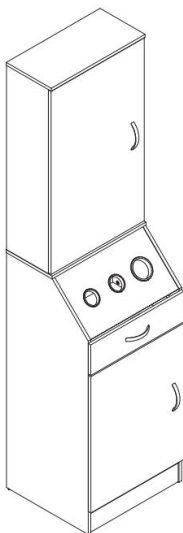
"Save Half", "Half Price" or any other similar expressions used by us only represents an estimate of savings you might benefit from buying certain tools with us compared to the major top brands and does not necessarily mean to cover all categories of tools offered by us. You are kindly reminded to verify carefully when you are placing an order with us if you are actually saving half in comparison with the top major brands.

# VEVOR®

TOUGH TOOLS, HALF PRICE

## SALON STATION

MODEL: WC1010



### NEED HELP? CONTACT US!

Have product questions? Need technical support? Please feel free to contact us:

**Technical Support and E-Warranty Certificate**  
[www.vevor.com/support](http://www.vevor.com/support)

This is the original instruction, please read all manual instructions carefully before operating. VEVOR reserves a clear interpretation of our user manual. The appearance of the product shall be subject to the product you received. Please forgive us that we won't inform you again if there are any technology or software updates on our product.

## SAFETY INSTRUCTIONS

### **WAARSCHUWING:**

Lees deze instructies zorgvuldig door voordat u dit product gebruikt. Als u dit niet doet, kan dit leiden tot ernstig letsel.

### **Voorzorgsmaatregelen voor montage**


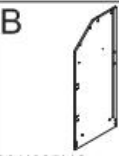
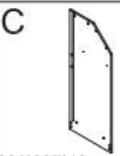
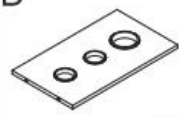

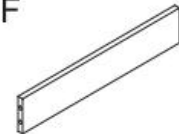

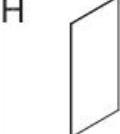
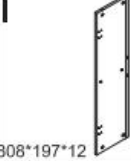
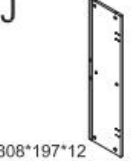
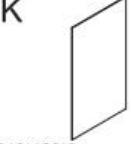


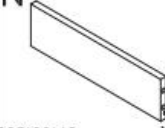

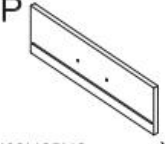
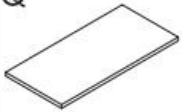


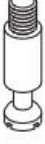









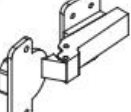


33. De montage mag alleen volgens deze instructies plaatsvinden.  
Onjuiste montage kan tot gevaren leiden.
34. Draag tijdens de montage een ANSI-goedgekeurde veiligheidsbril en stevige werkhandschoenen.
35. Houd de verzamelplaats schoon en goed verlicht.
36. Houd omstanders tijdens de montage uit de buurt.
37. Niet monteren als u moe bent of onder invloed bent van alcohol, drugs of medicijnen.
38. De productmogelijkheden zijn alleen van toepassing op correct en volledig gemonteerde producten.
39. Monteer op een vlakke, vlakke, harde en gladde ondergrond die het salonstation veilig kan ondersteunen.
40. Voor aanvullende informatie over de onderdelen die op de volgende pagina's worden vermeld, verwijzen wij u naar het montageschema van deze handleiding. Pak alle onderdelen uit en scheid ze van elkaar op een schone werkplek.

### **Gebruik voorzorgsmaatregelen**

25. ZIT OF STA NIET OP DIT ITEM.
26. Dit product is geen speelgoed. Laat kinderen niet met of in de buurt van dit artikel spelen.
27. Overschrijd de gewichtscapaciteiten niet.
28. salonstation veilig kan ondersteunen .
29. Alleen gebruiken zoals bedoeld.
30. Inspecteer vóór elk gebruik; niet gebruiken als onderdelen los of beschadigd zijn.

# BEWAAR DE ESE-INSTRUCTIES

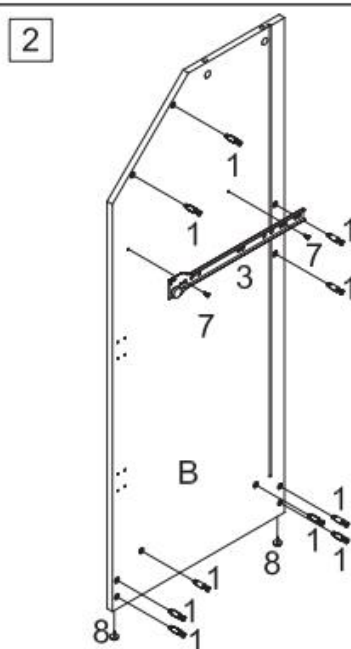
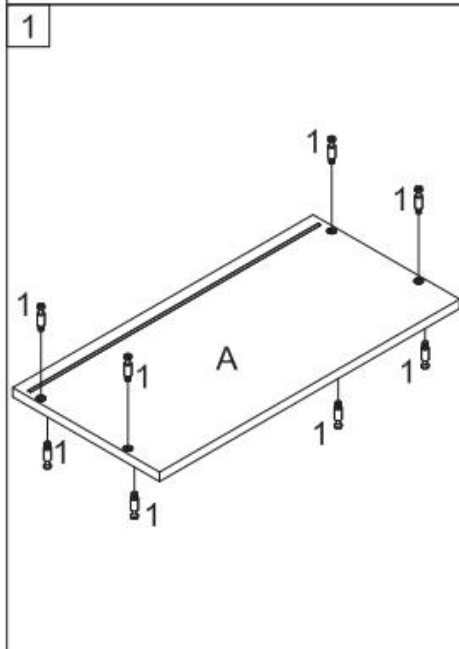
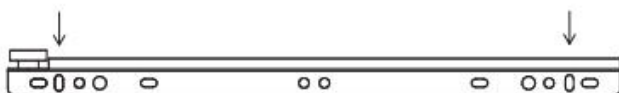
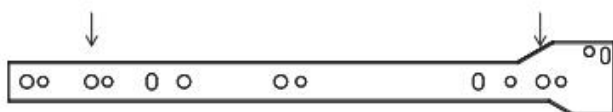
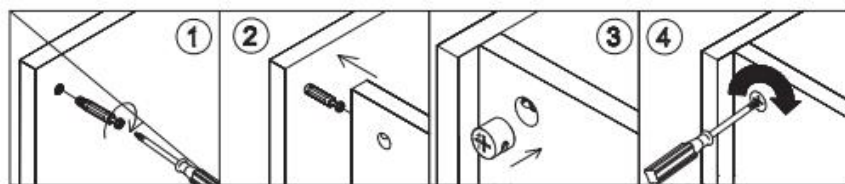
## PARTS LIST

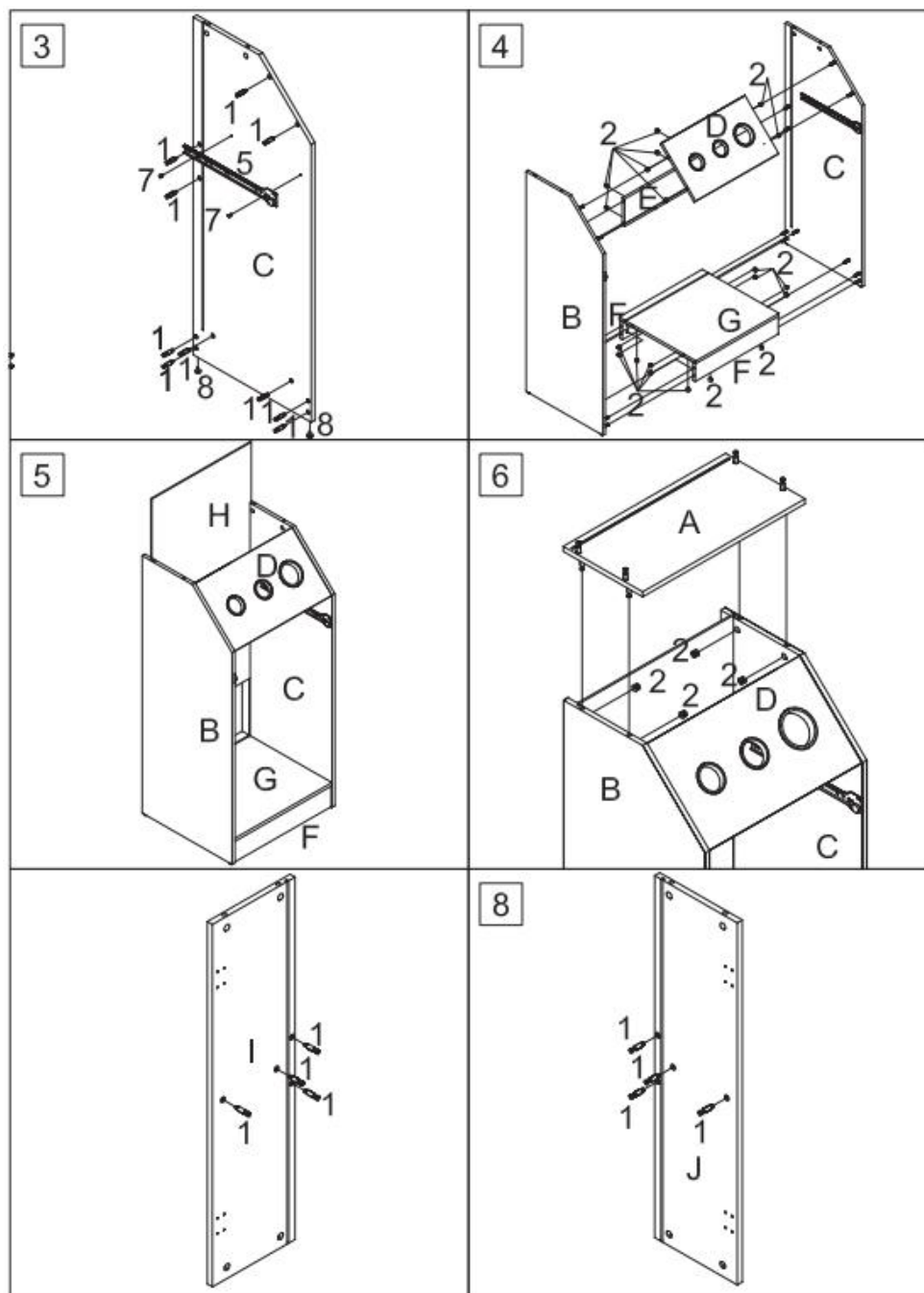
<p><b>A</b></p>  <p>442*216*12 X1</p>	<p><b>B</b></p>  <p>961*385*12 X1</p>	<p><b>C</b></p>  <p>961*385*12 X1</p>	<p><b>D</b></p>  <p>416*240*12 X1</p>	<p><b>E</b></p>  <p>416*120*12 X2</p>
<p><b>F</b></p>  <p>416*80*12 X2</p>	<p><b>G</b></p>  <p>416*384*12 X1</p>	<p><b>H</b></p>  <p>879*426*3 X1</p>	<p><b>I</b></p>  <p>808*197*12 X1</p>	<p><b>J</b></p>  <p>808*197*12 X1</p>
<p><b>K</b></p>  <p>818*426*3 X1</p>	<p><b>L</b></p>  <p>416*176*12 X1</p>	<p><b>M</b></p>  <p>390*80*12 X1</p>	<p><b>N</b></p>  <p>285*80*12 X2</p>	<p><b>O</b></p>  <p>376*295*3 X1</p>
<p><b>P</b></p>  <p>438*125*12 X1</p>	<p><b>Q</b></p>  <p>442*212*12 X1</p>	<p><b>R</b></p>  <p>801*438*12 X1</p>	<p><b>S</b></p>  <p>570*438*12 X1</p>	<p><b>1</b></p>  <p>X48+2</p>
<p><b>2</b></p>  <p>X48+2</p>	<p><b>3</b></p>  <p>X1</p>	<p><b>4</b></p>  <p>X1</p>	<p><b>5</b></p>  <p>X1</p>	<p><b>6</b></p>  <p>X1</p>
<p><b>7</b></p>  <p>X34+2</p>	<p><b>8</b></p>  <p>X4+1</p>	<p><b>9</b></p>  <p>X3</p>	<p><b>10</b></p>  <p>ST4x25 X1</p>	<p><b>11</b></p>  <p>X4</p>
<p><b>12</b></p>  <p>X1</p>	<p><b>13</b></p>  <p>X1</p>			

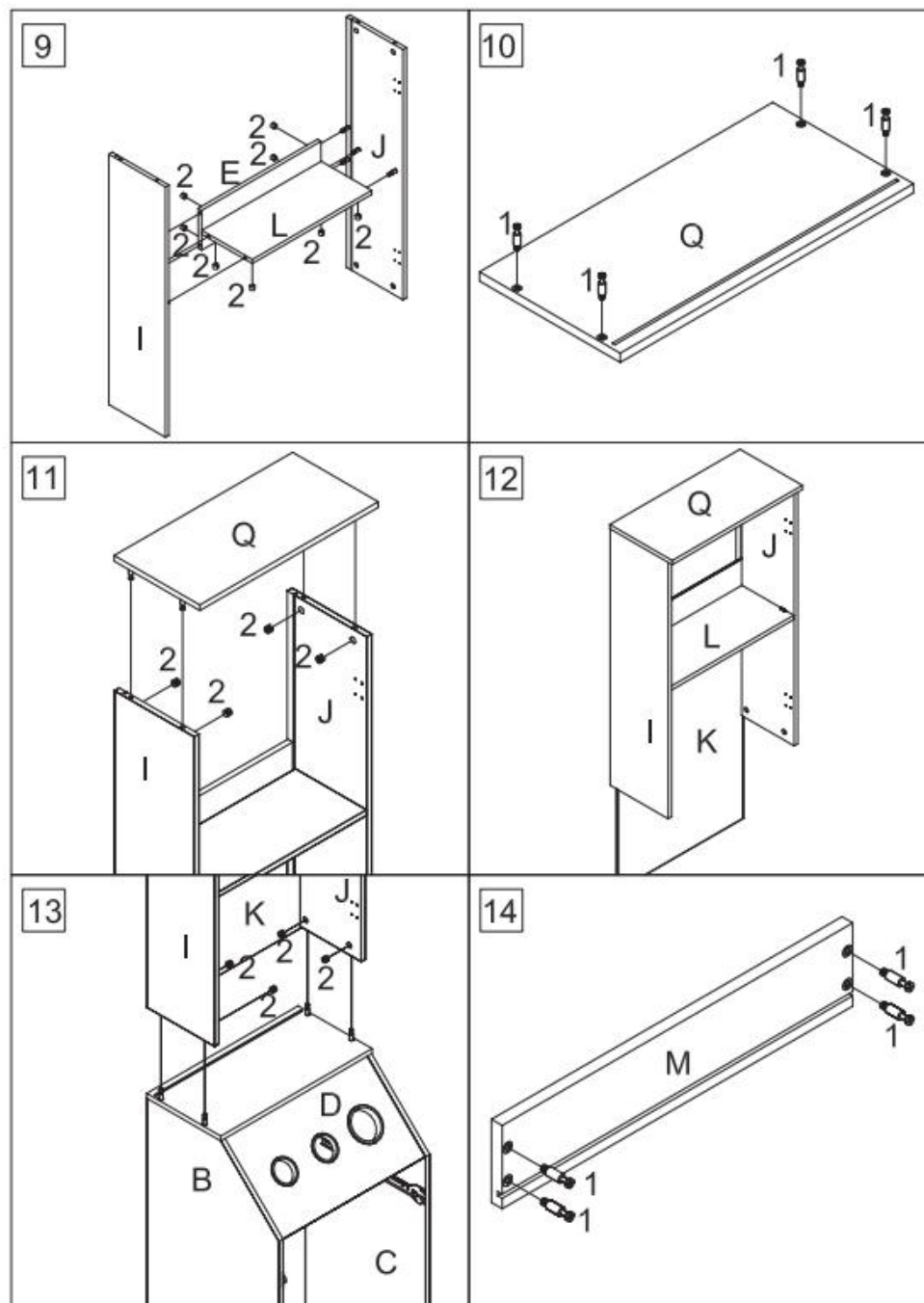




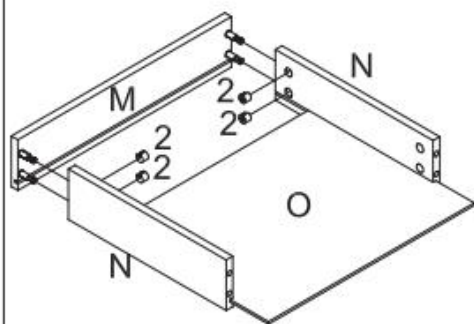
# ASSEMBLY INSTRUCTION



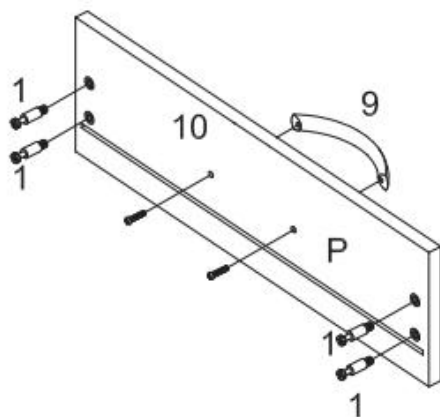




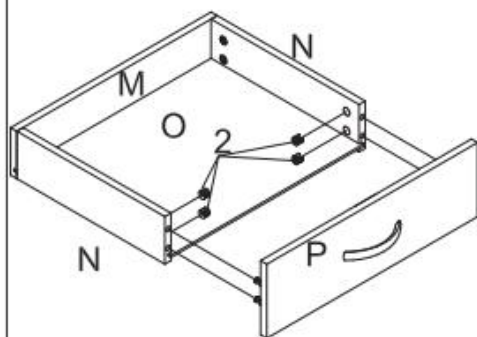
15



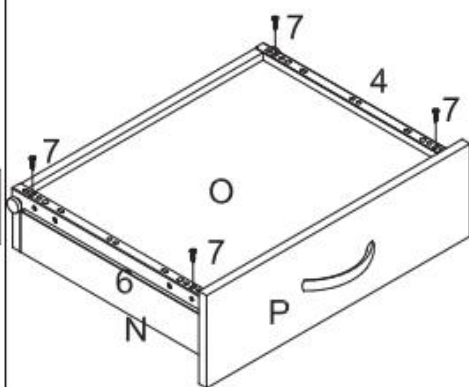
16

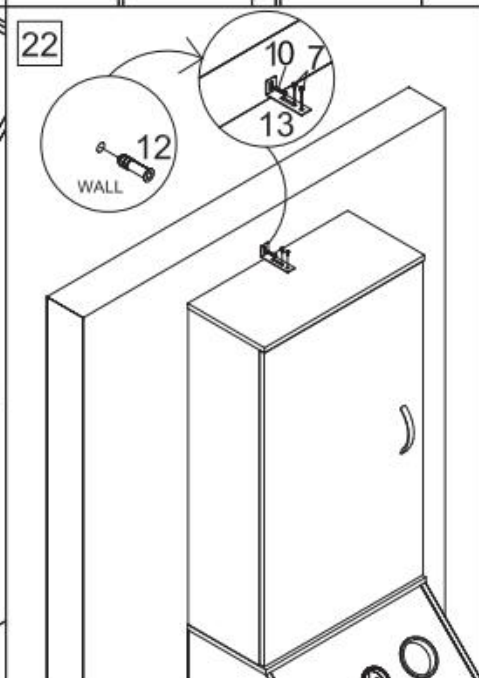
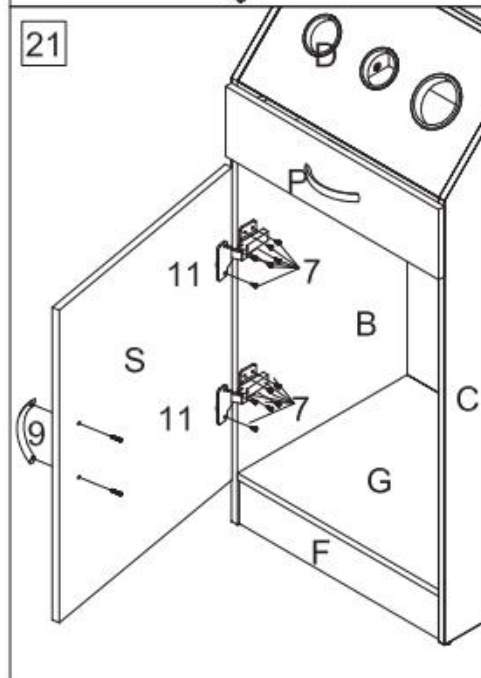
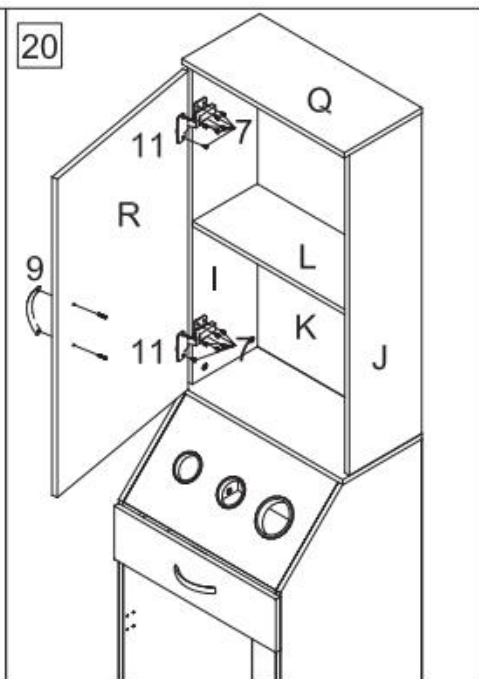
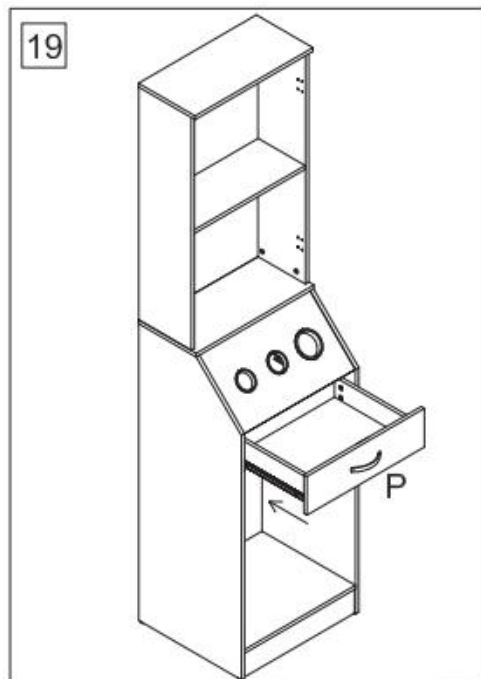


17



18





## PRODUCT PARAMETER

Grootte (mm)	440*400*1800
Kleur	Zwart
Type	1 lade +2 opbergvakken
textuur	MDF+hittebestendige legering
Hendel	Aluminium profiel



**VEVOR**<sup>®</sup>

**TOUGH TOOLS, HALF PRICE**

**Technisch Ondersteuning en e-garantiecertificaat**

**[www.vevor.com/support](http://www.vevor.com/support)**



# **VEVOR<sup>®</sup>**

## **TOUGH TOOLS, HALF PRICE**

Teknisk Support och e-garanticertifikat [www.vevor.com/support](http://www.vevor.com/support)

### **SALONG STATION**

### **Du ÄR MANUELL**

We continue to be committed to provide you tools with competitive price.

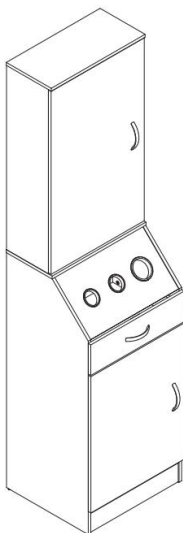
"Save Half", "Half Price" or any other similar expressions used by us only represents an estimate of savings you might benefit from buying certain tools with us compared to the major top brands and does not necessarily mean to cover all categories of tools offered by us. You are kindly reminded to verify carefully when you are placing an order with us if you are actually saving half in comparison with the top major brands.

# VEVOR®

TOUGH TOOLS, HALF PRICE

## SALON STATION

MODELL: WC1010



### NEED HELP? CONTACT US!

Have product questions? Need technical support? Please feel free to contact us:

**Technical Support and E-Warranty Certificate**  
[www.vevor.com/support](http://www.vevor.com/support)

This is the original instruction, please read all manual instructions carefully before operating. VEVOR reserves a clear interpretation of our user manual. The appearance of the product shall be subject to the product you received. Please forgive us that we won't inform you again if there are any technology or software updates on our product.

## SAFETY INSTRUCTIONS

### **VARNING:**

Läs dessa instruktioner noggrant innan du använder denna produkt. Underlåtenhet att göra det kan resultera i allvarliga skador.

### **Försiktighetsåtgärder vid montering**


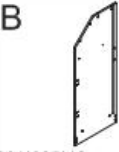
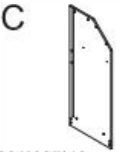

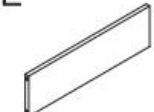
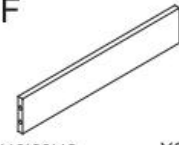

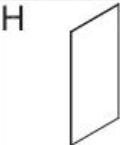

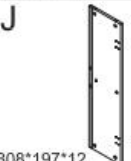
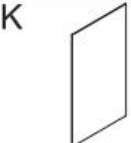


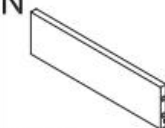
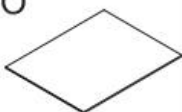
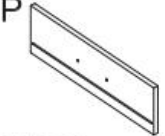
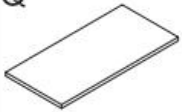

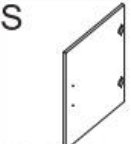

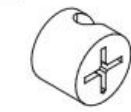





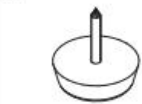


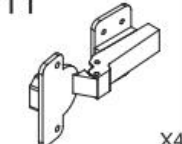


41. Montering bör endast ske enligt dessa instruktioner. Felaktig montering kan leda till faror.
42. Använd ANSI-godkända skyddsglasögon och kraftiga arbetshandskar vid montering.
43. Håll monteringsområdet rent och väl upplyst.
44. Håll åskådare borta från området under monteringen.
45. Sätt dig inte ihop när du är trött eller påverkad av alkohol, droger eller mediciner.
46. Produktegenskaperna gäller endast för korrekt och färdigmonterade produkter.
47. Montera på en plan, jämn, hård och slät yta som säkert kan stödja Salongstationen.
48. För ytterligare information om delarna som listas på följande sidor, se monteringsdiagrammet i denna manual. Packa upp och separera alla delar på ett rent arbetsområde.

### **Använd försiktighetsåtgärder**

31. SIT ELLER STÅ INTE PÅ DETTA FÖREMÅL.
32. Denna produkt är inte en leksak. Låt inte barn leka med eller nära detta föremål.
33. Överskrid inte viktkapaciteten.
34. Använd endast på en plan, jämn, hård och slät yta som säkert kan stödja en fullastad salongsstation .
35. Använd endast som avsett.
36. Inspektera före varje användning; Använd inte om delar är lösa eller skadade.

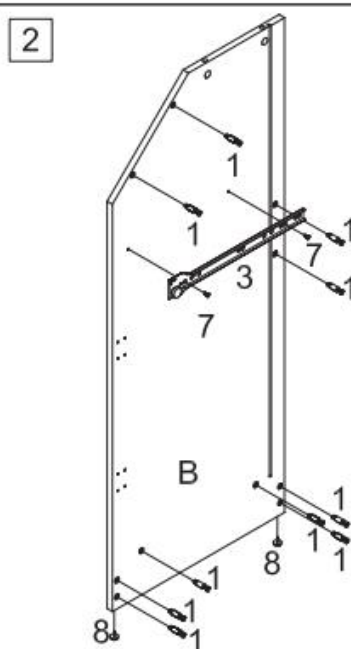
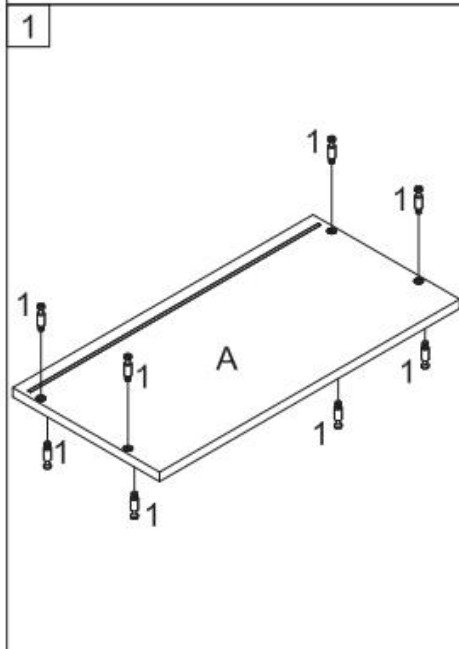
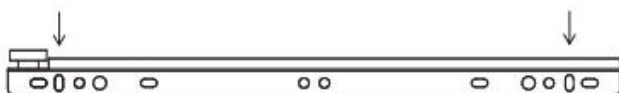
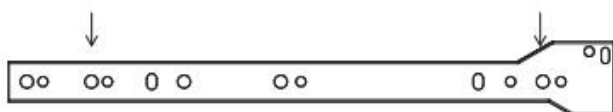
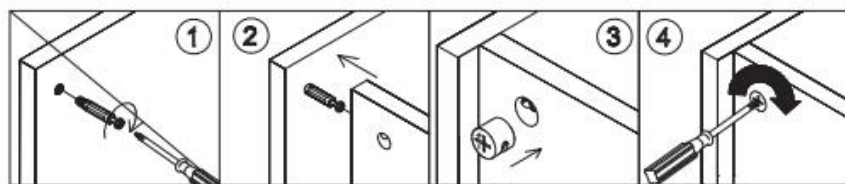
# SPARA DESSA INSTRUKTIONER

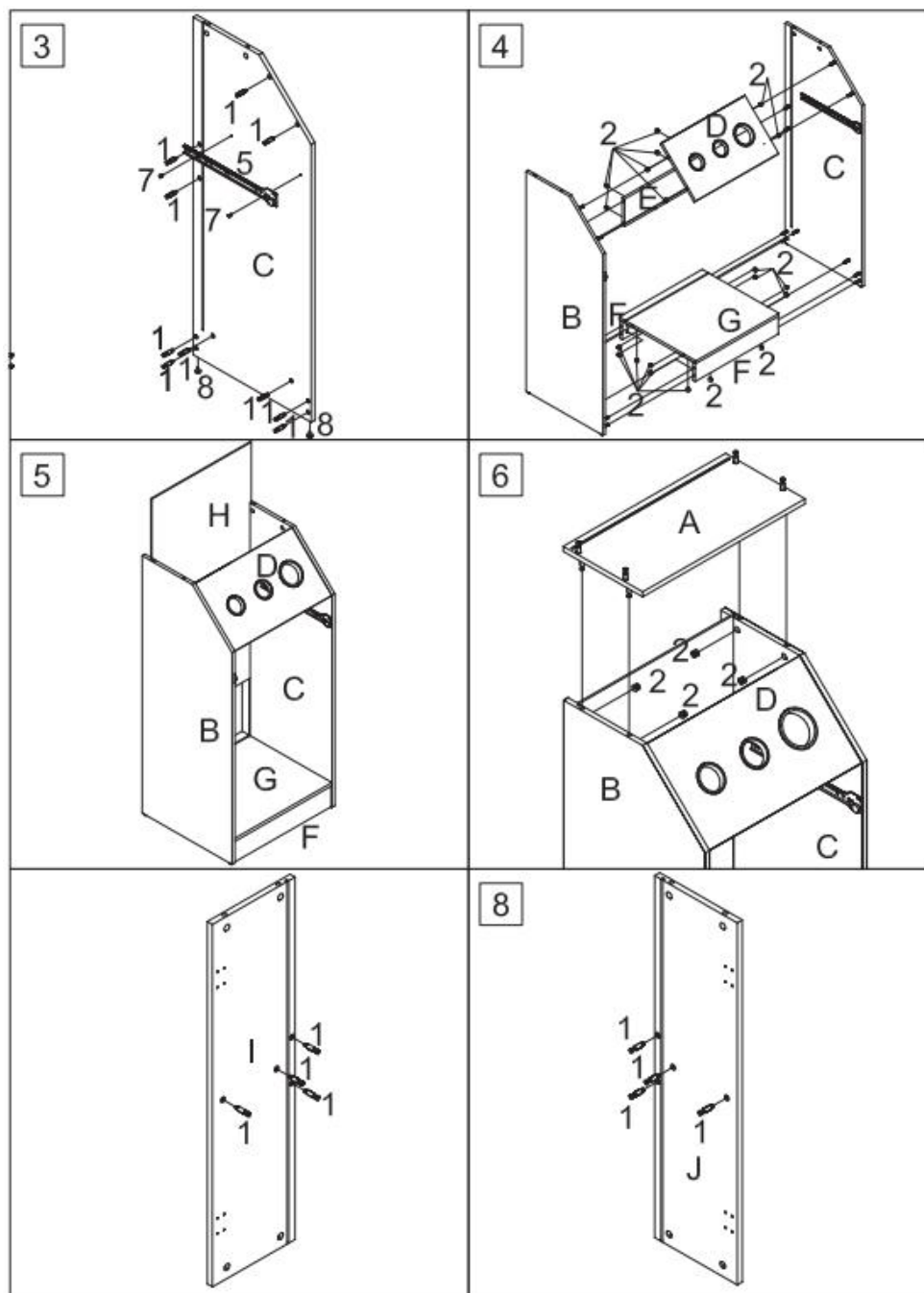
## PARTS LIST

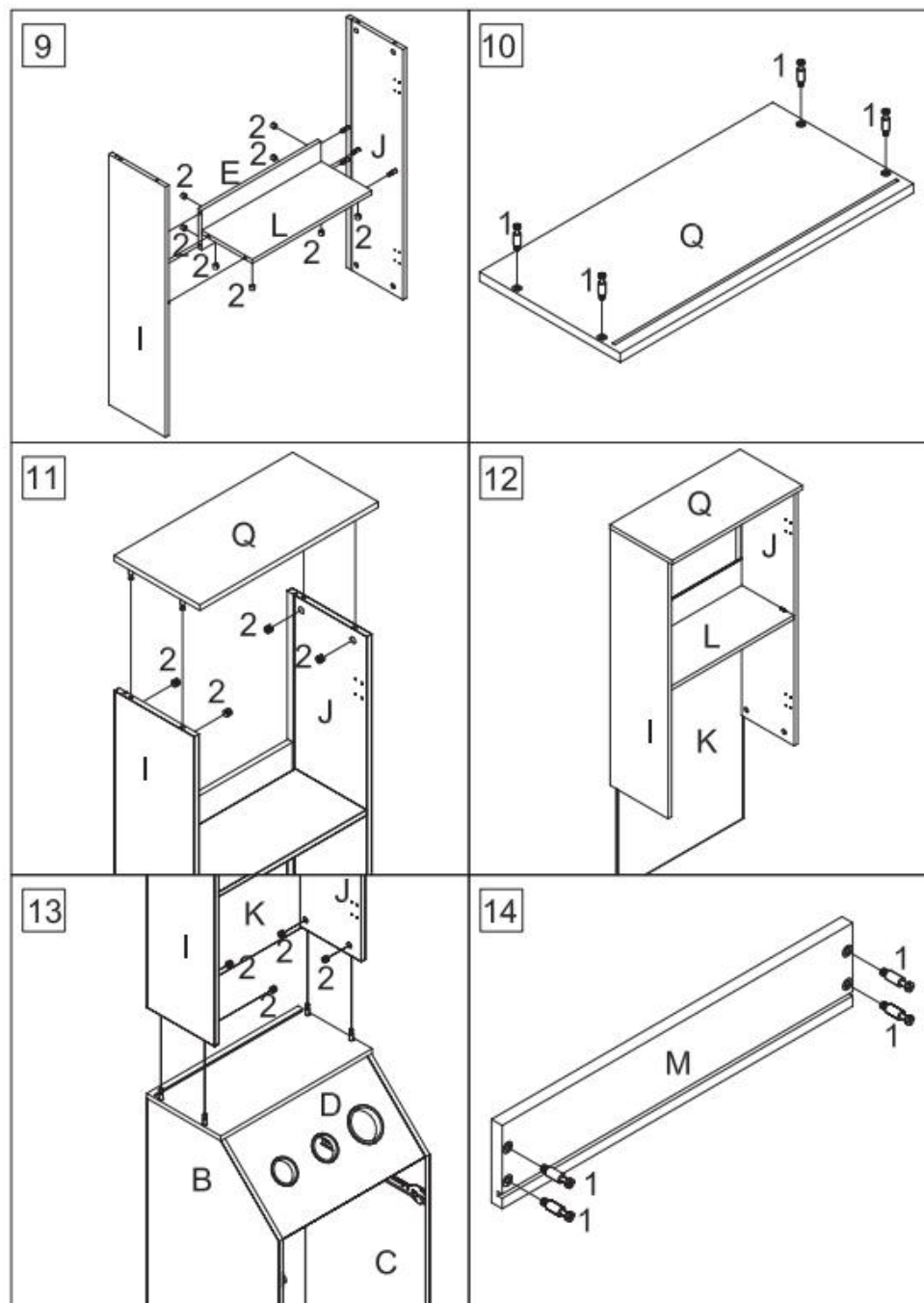
<p><b>A</b></p>  <p>442*216*12 X1</p>	<p><b>B</b></p>  <p>961*385*12 X1</p>	<p><b>C</b></p>  <p>961*385*12 X1</p>	<p><b>D</b></p>  <p>416*240*12 X1</p>	<p><b>E</b></p>  <p>416*120*12 X2</p>
<p><b>F</b></p>  <p>416*80*12 X2</p>	<p><b>G</b></p>  <p>416*384*12 X1</p>	<p><b>H</b></p>  <p>879*426*3 X1</p>	<p><b>I</b></p>  <p>808*197*12 X1</p>	<p><b>J</b></p>  <p>808*197*12 X1</p>
<p><b>K</b></p>  <p>818*426*3 X1</p>	<p><b>L</b></p>  <p>416*176*12 X1</p>	<p><b>M</b></p>  <p>390*80*12 X1</p>	<p><b>N</b></p>  <p>285*80*12 X2</p>	<p><b>O</b></p>  <p>376*295*3 X1</p>
<p><b>P</b></p>  <p>438*125*12 X1</p>	<p><b>Q</b></p>  <p>442*212*12 X1</p>	<p><b>R</b></p>  <p>801*438*12 X1</p>	<p><b>S</b></p>  <p>570*438*12 X1</p>	<p><b>1</b></p>  <p>X48+2</p>
<p><b>2</b></p>  <p>X48+2</p>	<p><b>3</b></p>  <p>X1</p>	<p><b>4</b></p>  <p>X1</p>	<p><b>5</b></p>  <p>X1</p>	<p><b>6</b></p>  <p>X1</p>
<p><b>7</b></p>  <p>X34+2</p>	<p><b>8</b></p>  <p>X4+1</p>	<p><b>9</b></p>  <p>X3</p>	<p><b>10</b></p>  <p>ST4x25 X1</p>	<p><b>11</b></p>  <p>X4</p>
<p><b>12</b></p>  <p>X1</p>	<p><b>13</b></p>  <p>X1</p>			



# ASSEMBLY INSTRUCTION

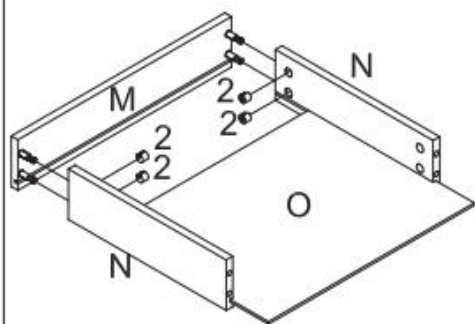




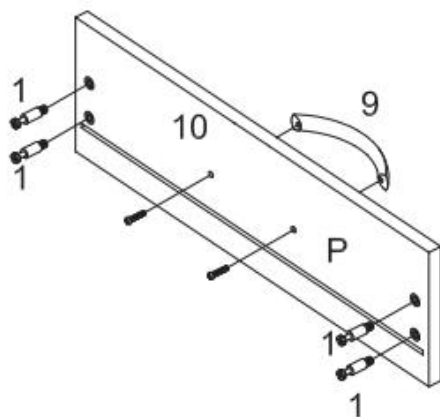




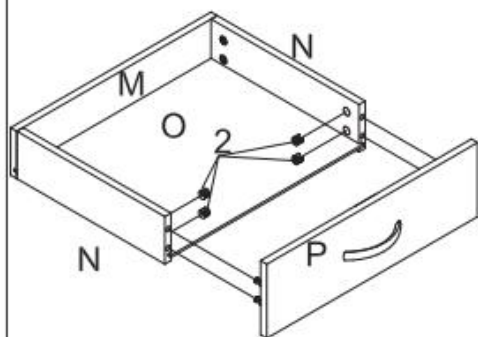
15



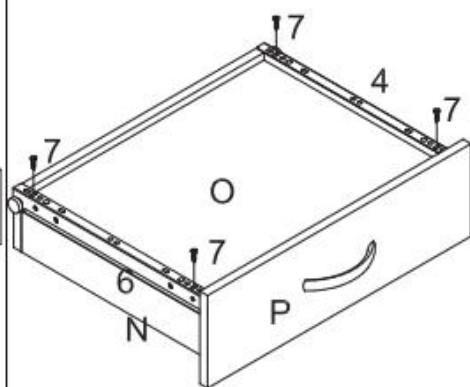
16

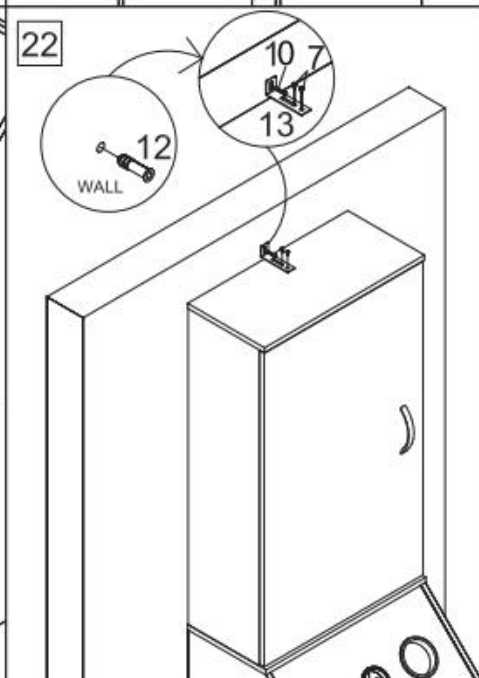
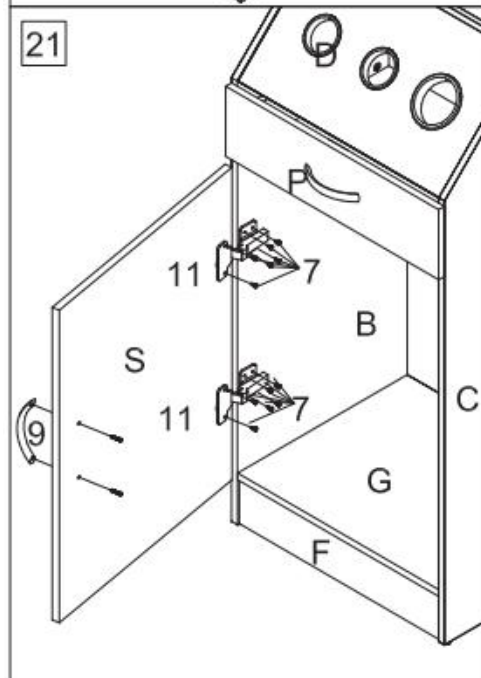
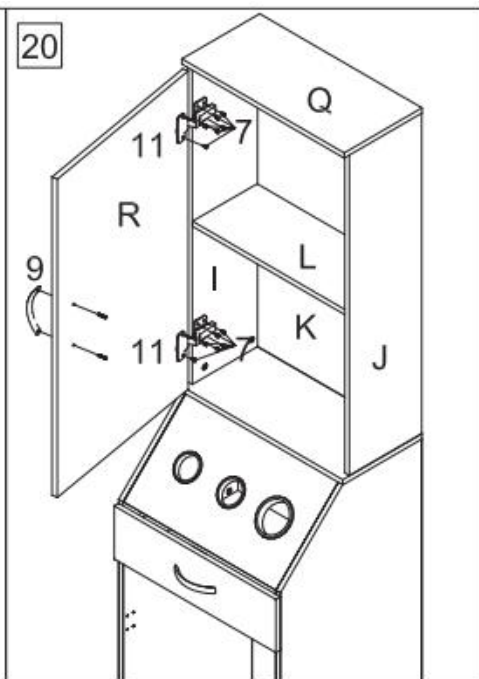
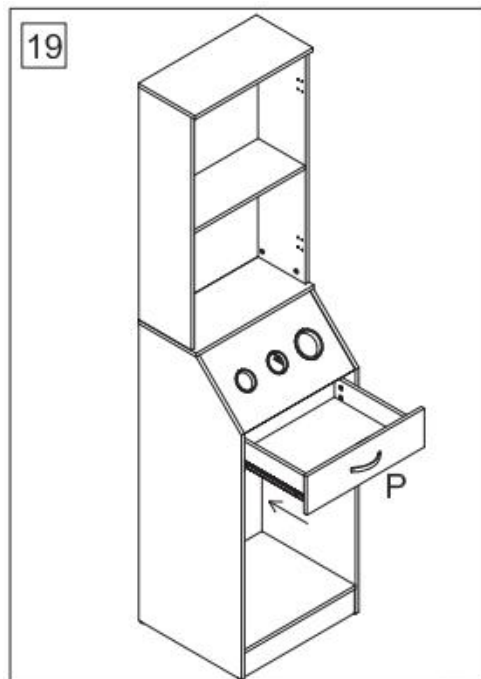


17



18





## PRODUCT PARAMETER

Storlek (mm)	440*400*1800
Färg	Svart
Typ	1 låda +2 förvaringsfack
textur	MDF+värmebeständig legering
Hantera	Aluminiumlegering



**VEVOR**<sup>®</sup>

**TOUGH TOOLS, HALF PRICE**

**Teknisk Support och e-garanticertifikat**

**[www.vevor.com/support](http://www.vevor.com/support)**

# **VEVOR®**

**TOUGH TOOLS, HALF PRICE**

Técnico Soporte y certificado de garantía electrónica [www.vevor.com/support](http://www.vevor.com/support)

## **ESTACIÓN DE SALÓN U VER MANUAL**

We continue to be committed to provide you tools with competitive price.

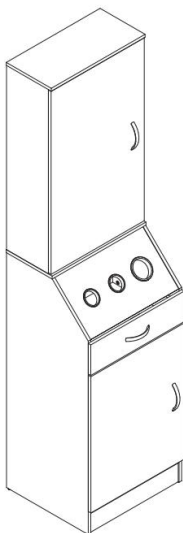
"Save Half", "Half Price" or any other similar expressions used by us only represents an estimate of savings you might benefit from buying certain tools with us compared to the major top brands and does not necessarily mean to cover all categories of tools offered by us. You are kindly reminded to verify carefully when you are placing an order with us if you are actually saving half in comparison with the top major brands.

# VEVOR<sup>®</sup>

TOUGH TOOLS, HALF PRICE

## SALON STATION

MODELO: WC1010



### NEED HELP? CONTACT US!

Have product questions? Need technical support? Please feel free to contact us:

**Technical Support and E-Warranty Certificate**  
[www.vevor.com/support](http://www.vevor.com/support)

This is the original instruction, please read all manual instructions carefully before operating. VEVOR reserves a clear interpretation of our user manual. The appearance of the product shall be subject to the product you received. Please forgive us that we won't inform you again if there are any technology or software updates on our product.

## SAFETY INSTRUCTIONS

### **ADVERTENCIA:**

Lea atentamente estas instrucciones antes de utilizar este producto. De lo contrario, se pueden producir lesiones graves.

### **Precauciones de montaje**

49. Ensamble únicamente de acuerdo con estas instrucciones. Un montaje inadecuado puede provocar peligros.
50. Use gafas de seguridad aprobadas por ANSI y guantes de trabajo resistentes durante el montaje.
51. Mantenga el área de reunión limpia y bien iluminada.
52. Mantenga a los transeúntes fuera del área durante el montaje.
53. No se reúna cuando esté cansado o bajo la influencia de alcohol, drogas o medicamentos.
54. Las capacidades del producto se aplican únicamente a productos ensamblados de manera adecuada y completa.
55. Ensamble sobre una superficie plana, nivelada, dura y lisa capaz de soportar de manera segura Salon Station.
56. Para obtener información adicional sobre las piezas enumeradas en las siguientes páginas, consulte el diagrama de montaje de este manual. Desenvuelva y separe todas las piezas en un área de trabajo limpia.


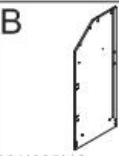
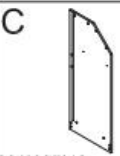

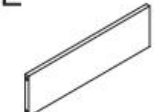


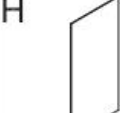
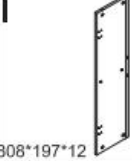




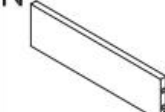
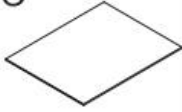


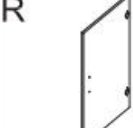
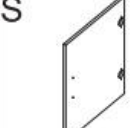
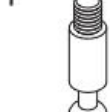

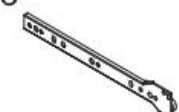







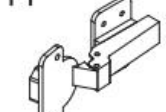


### **Use precauciones**

37. NO SE SIENTE NI SE PARE SOBRE ESTE ARTÍCULO.
38. Este producto no es un juguete. No permita que los niños jueguen con este artículo o cerca de él.
39. No exceda las capacidades de peso.
40. Úselo únicamente sobre una superficie plana, nivelada, dura y lisa capaz de soportar de manera segura una Salon Station completamente cargada .
41. Úselo únicamente según lo previsto.
42. Inspeccionar antes de cada uso; no lo utilice si las piezas están sueltas o dañadas.



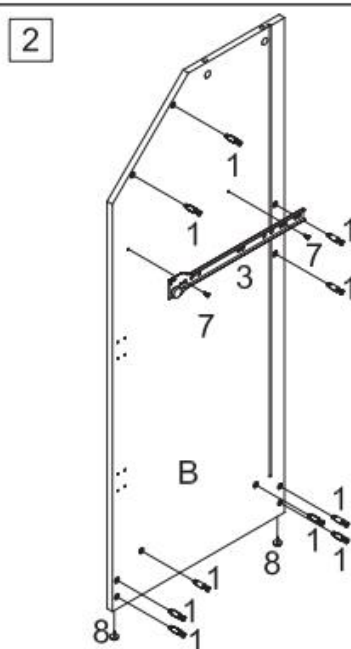
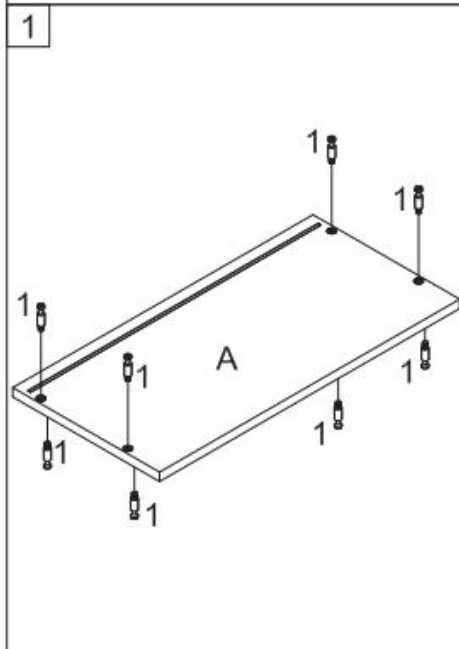
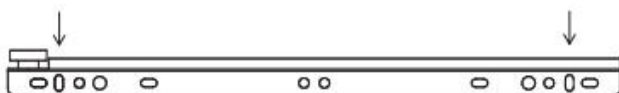
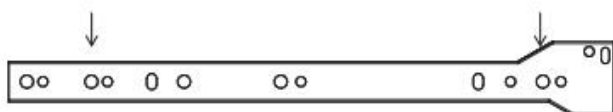
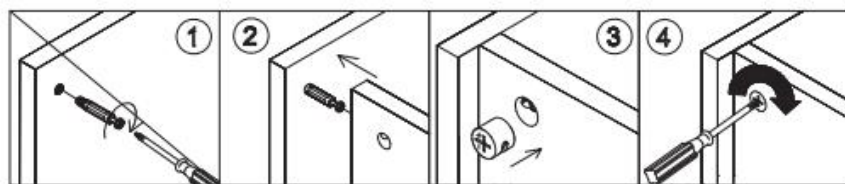
# GUARDA ESTAS INSTRUCCIONES

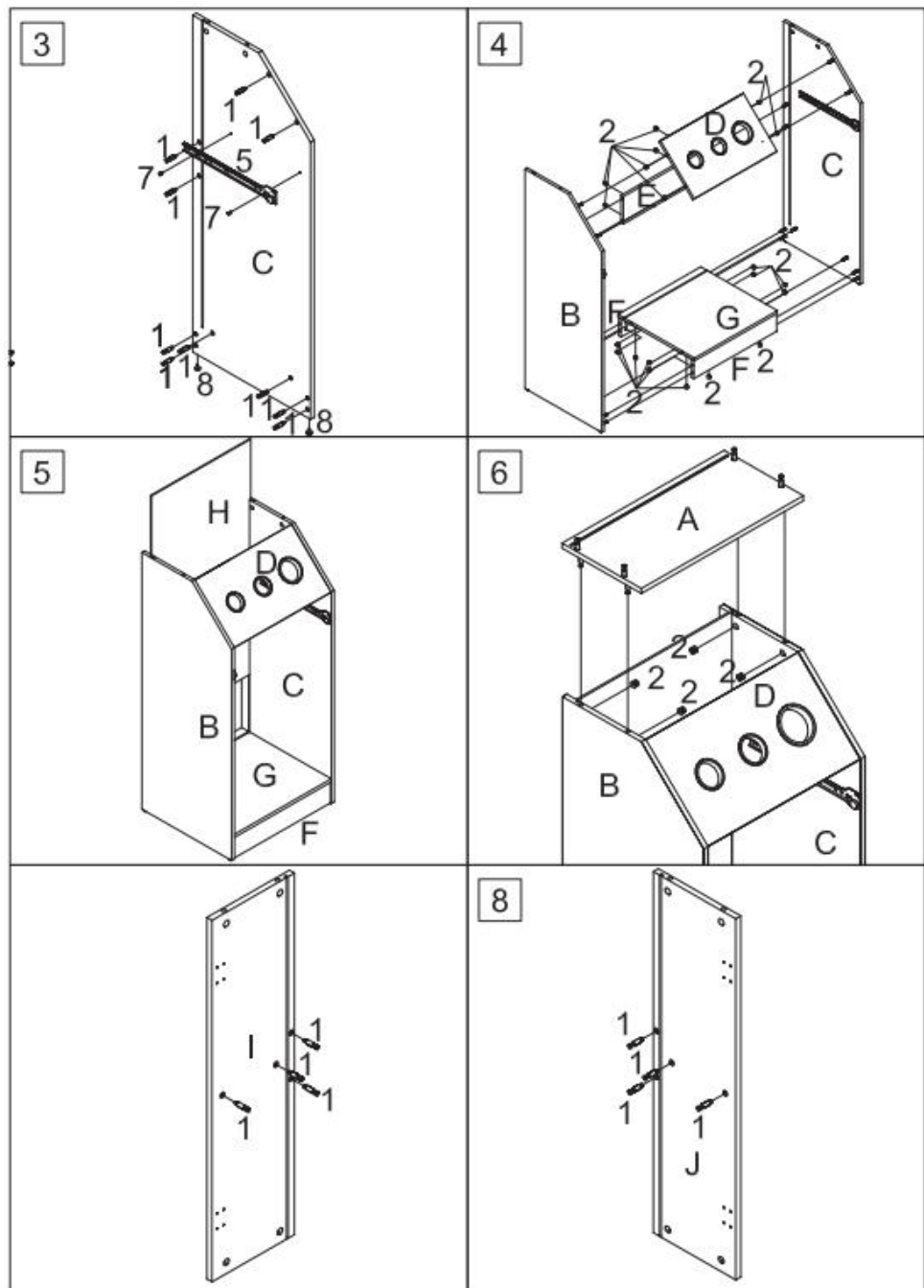
## PARTS LIST

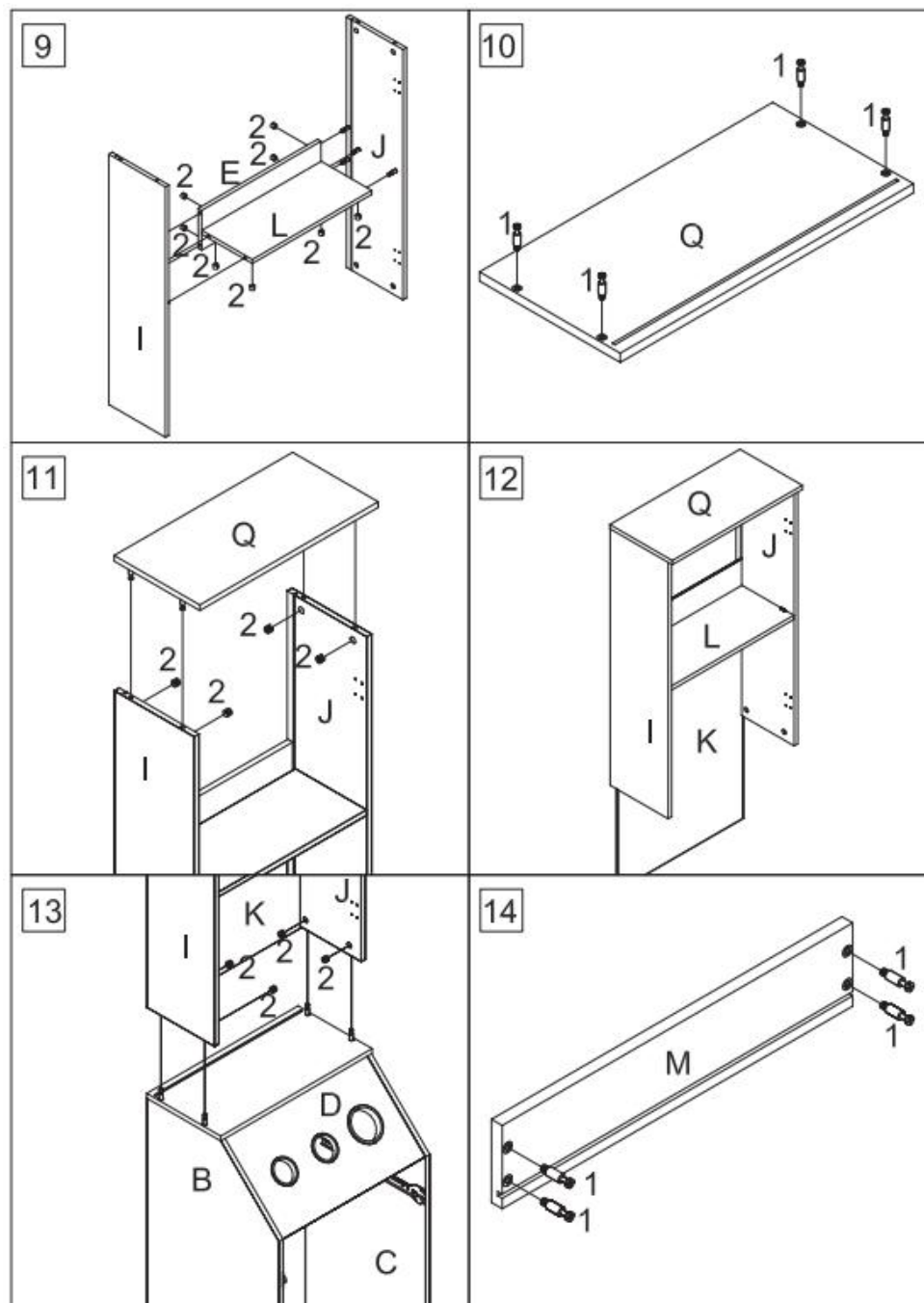
<p><b>A</b></p>  <p>442*216*12 X1</p>	<p><b>B</b></p>  <p>961*385*12 X1</p>	<p><b>C</b></p>  <p>961*385*12 X1</p>	<p><b>D</b></p>  <p>416*240*12 X1</p>	<p><b>E</b></p>  <p>416*120*12 X2</p>
<p><b>F</b></p>  <p>416*80*12 X2</p>	<p><b>G</b></p>  <p>416*384*12 X1</p>	<p><b>H</b></p>  <p>879*426*3 X1</p>	<p><b>I</b></p>  <p>808*197*12 X1</p>	<p><b>J</b></p>  <p>808*197*12 X1</p>
<p><b>K</b></p>  <p>818*426*3 X1</p>	<p><b>L</b></p>  <p>416*176*12 X1</p>	<p><b>M</b></p>  <p>390*80*12 X1</p>	<p><b>N</b></p>  <p>285*80*12 X2</p>	<p><b>O</b></p>  <p>376*295*3 X1</p>
<p><b>P</b></p>  <p>438*125*12 X1</p>	<p><b>Q</b></p>  <p>442*212*12 X1</p>	<p><b>R</b></p>  <p>801*438*12 X1</p>	<p><b>S</b></p>  <p>570*438*12 X1</p>	<p><b>1</b></p>  <p>X48+2</p>
<p><b>2</b></p>  <p>X48+2</p>	<p><b>3</b></p>  <p>X1</p>	<p><b>4</b></p>  <p>X1</p>	<p><b>5</b></p>  <p>X1</p>	<p><b>6</b></p>  <p>X1</p>
<p><b>7</b></p>  <p>X34+2</p>	<p><b>8</b></p>  <p>X4+1</p>	<p><b>9</b></p>  <p>X3</p>	<p><b>10</b></p>  <p>ST4x25 X1</p>	<p><b>11</b></p>  <p>X4</p>
<p><b>12</b></p>  <p>X1</p>	<p><b>13</b></p>  <p>X1</p>			



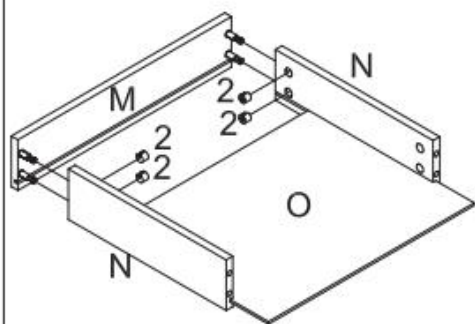
# ASSEMBLY INSTRUCTION



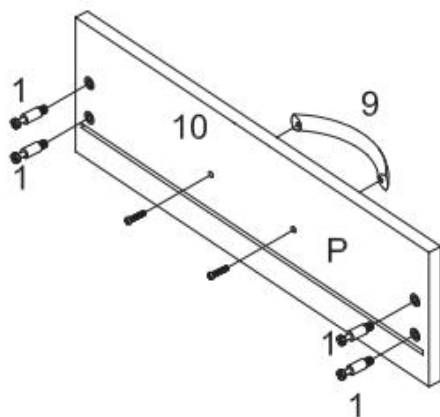




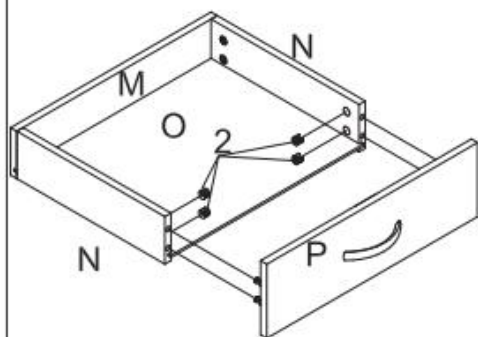
15



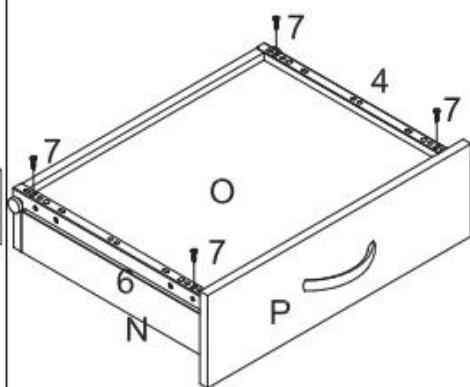
16

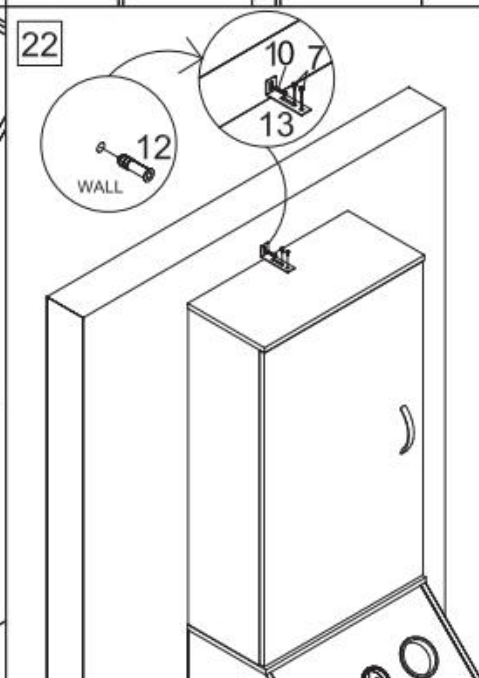
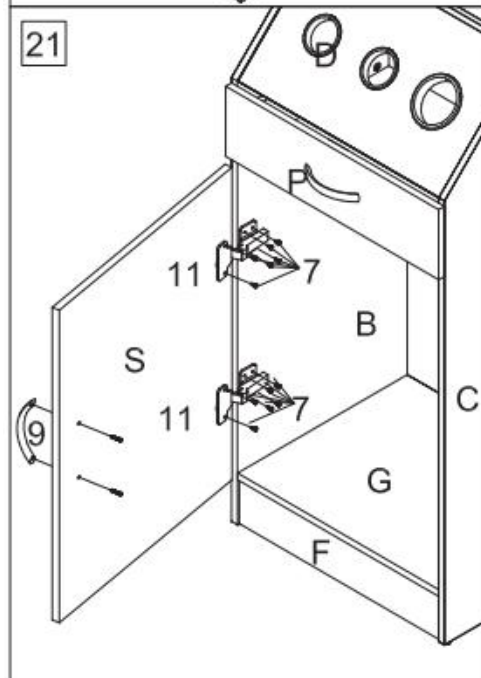
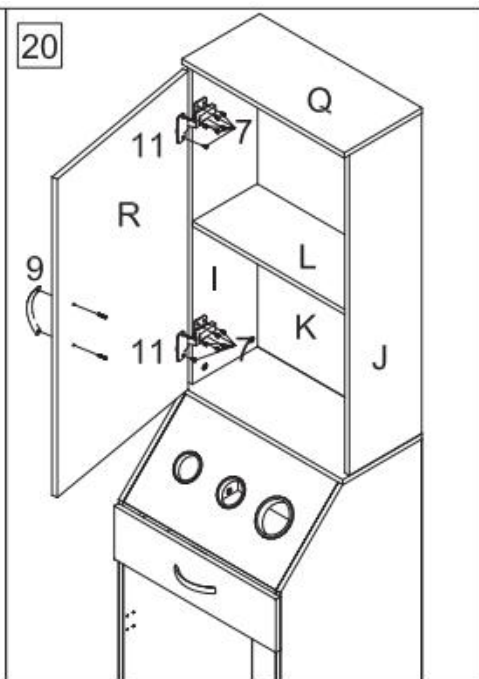
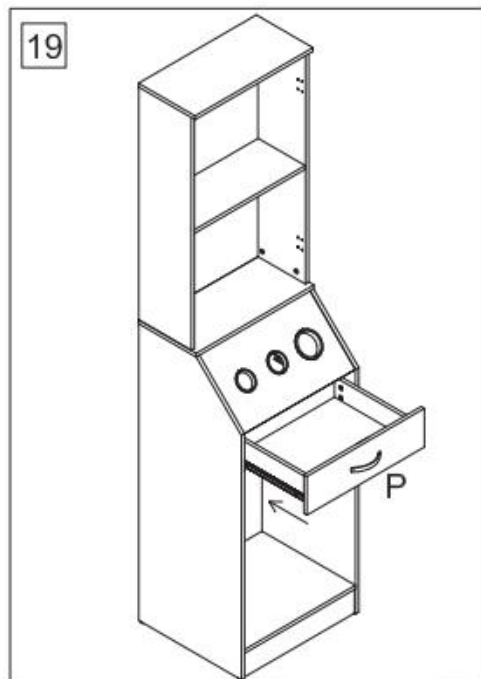


17



18





## PRODUCT PARAMETER

Tamaño (mm)	440*400*1800
Color	Negro
Tipo	1 cajón + 2 compartimentos de almacenamiento
Textura	MDF+Aleación resistente al calor
Acto	Aleación de aluminio







**VEVOR**<sup>®</sup>

**TOUGH TOOLS, HALF PRICE**

**Técnico Certificado de soporte y garantía electrónica**

**[www.vevor.com/support](http://www.vevor.com/support)**

# **VEVOR<sup>®</sup>**

**TOUGH TOOLS, HALF PRICE**

Tecnico Supporto e certificato di garanzia elettronica [www.vevor.com/support](http://www.vevor.com/support)

## **STAZIONE DEL SALONE**

### **Vedi IL MANUALE**

We continue to be committed to provide you tools with competitive price.

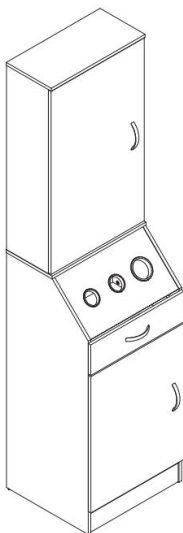
"Save Half", "Half Price" or any other similar expressions used by us only represents an estimate of savings you might benefit from buying certain tools with us compared to the major top brands and does not necessarily mean to cover all categories of tools offered by us. You are kindly reminded to verify carefully when you are placing an order with us if you are actually saving half in comparison with the top major brands.

# VEVOR®

TOUGH TOOLS, HALF PRICE

## SALON STATION

MODELLO: WC1010



### NEED HELP? CONTACT US!

Have product questions? Need technical support? Please feel free to contact us:

**Technical Support and E-Warranty Certificate**  
[www.vevor.com/support](http://www.vevor.com/support)

This is the original instruction, please read all manual instructions carefully before operating. VEVOR reserves a clear interpretation of our user manual. The appearance of the product shall be subject to the product you received. Please forgive us that we won't inform you again if there are any technology or software updates on our product.

## SAFETY INSTRUCTIONS

### **AVVERTIMENTO:**

Leggere attentamente queste istruzioni prima di utilizzare questo prodotto. In caso contrario si potrebbero causare lesioni gravi.

### **Precauzioni per il montaggio**


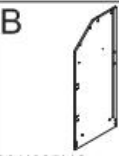
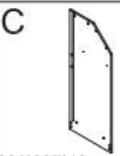

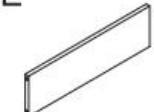


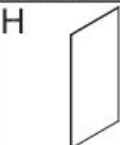

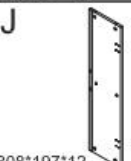
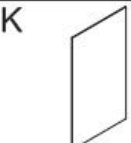


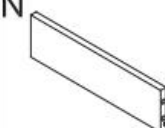

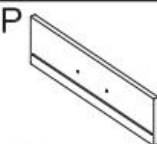


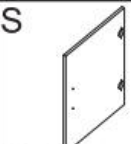


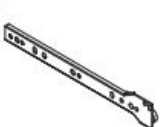







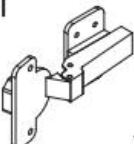


57. Assemblare solo secondo queste istruzioni. Un montaggio improprio può causare pericoli.
58. Indossare occhiali di sicurezza approvati ANSI e guanti da lavoro pesanti durante il montaggio.
59. Mantenere l'area di assemblaggio pulita e ben illuminata.
60. Tenere gli astanti lontani dall'area durante il montaggio.
61. Non montare in caso di stanchezza o sotto l'effetto di alcol, droghe o farmaci.
62. Le funzionalità del prodotto si applicano solo ai prodotti correttamente e completamente assemblati.
63. Montare su una superficie piana, livellata, dura e liscia in grado di sostenere in sicurezza la Salon Station.
64. Per ulteriori informazioni riguardanti le parti elencate nelle pagine seguenti, fare riferimento allo Schema di Montaggio di questo manuale. Scartare e separare tutte le parti in un'area di lavoro pulita.

### **Usare precauzioni**

43. NON SEDERSI O STARE IN PIEDI SU QUESTO ARTICOLO.
44. Questo prodotto non è un giocattolo. Non permettere ai bambini di giocare con o vicino a questo oggetto.
45. Non superare le capacità di peso.
46. Utilizzare solo su una superficie piana, livellata, dura e liscia in grado di supportare in sicurezza una stazione per saloni a pieno carico .
47. Utilizzare solo come previsto.
48. Ispezionare prima di ogni utilizzo; non utilizzare se le parti sono allentate o danneggiate.

# CONSERVARE QUESTE ISTRUZIONI

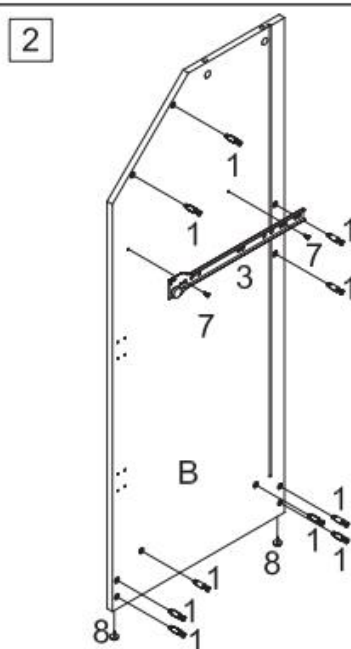
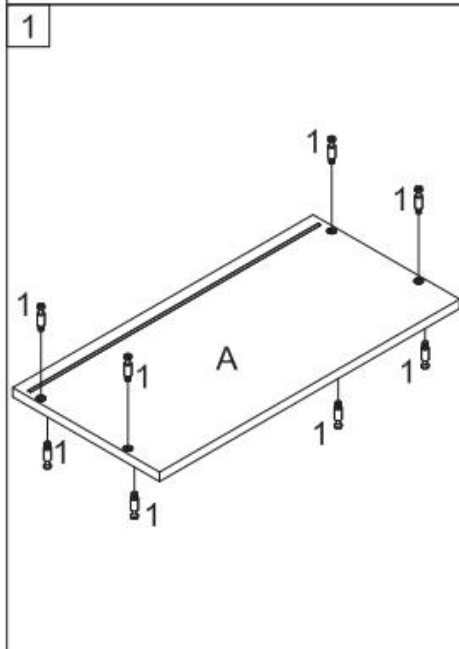
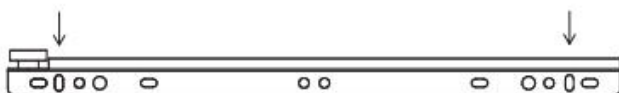
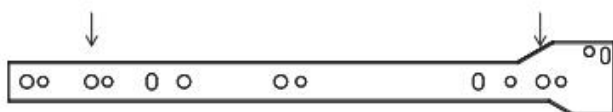
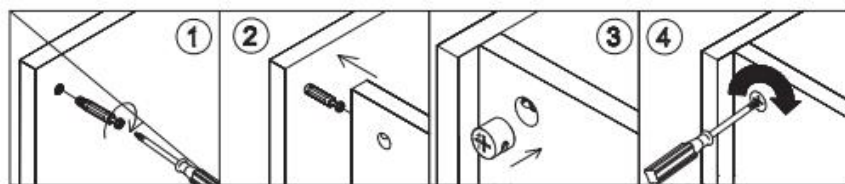
## PARTS LIST

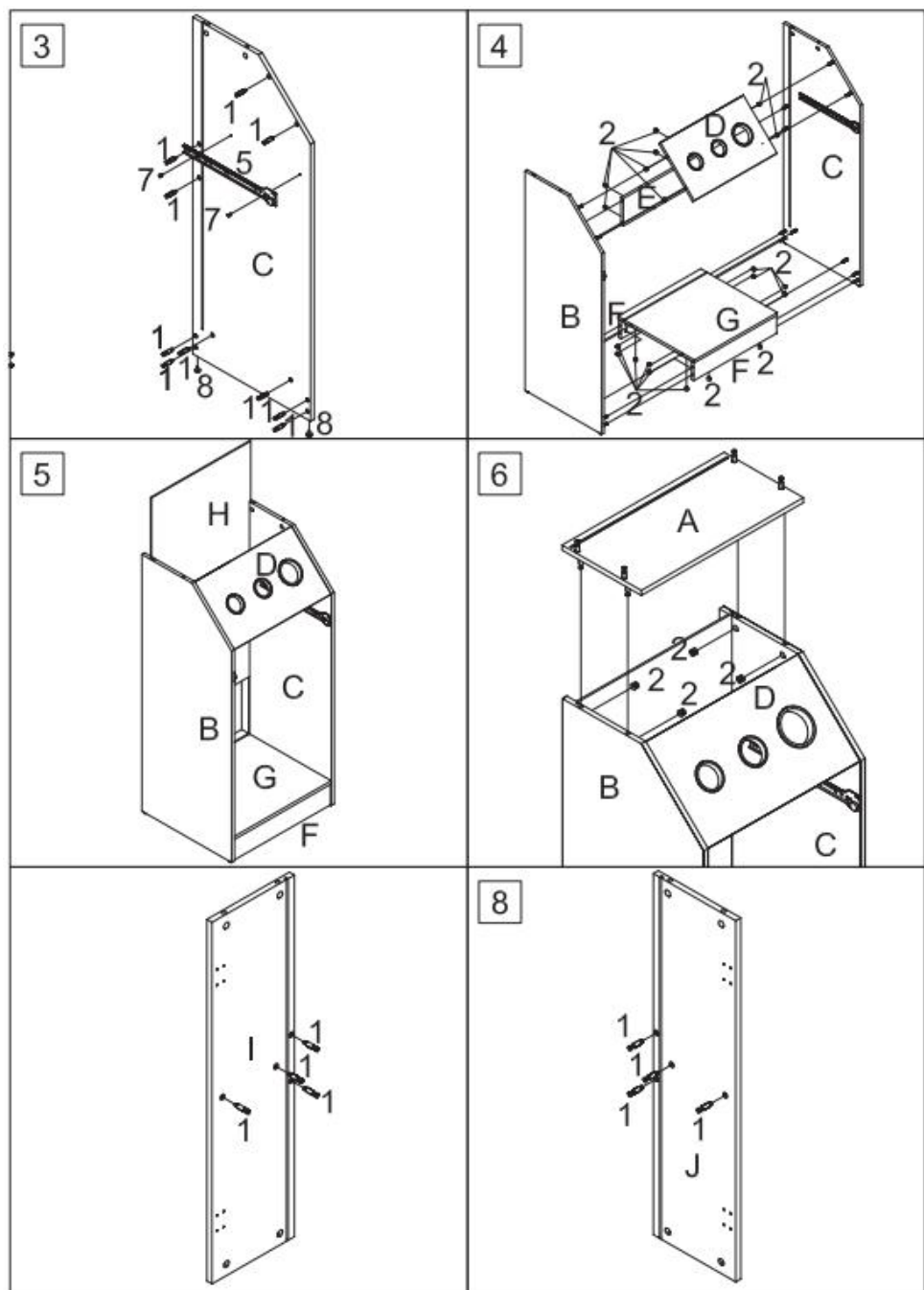
<p><b>A</b></p>  <p>442*216*12 X1</p>	<p><b>B</b></p>  <p>961*385*12 X1</p>	<p><b>C</b></p>  <p>961*385*12 X1</p>	<p><b>D</b></p>  <p>416*240*12 X1</p>	<p><b>E</b></p>  <p>416*120*12 X2</p>
<p><b>F</b></p>  <p>416*80*12 X2</p>	<p><b>G</b></p>  <p>416*384*12 X1</p>	<p><b>H</b></p>  <p>879*426*3 X1</p>	<p><b>I</b></p>  <p>808*197*12 X1</p>	<p><b>J</b></p>  <p>808*197*12 X1</p>
<p><b>K</b></p>  <p>818*426*3 X1</p>	<p><b>L</b></p>  <p>416*176*12 X1</p>	<p><b>M</b></p>  <p>390*80*12 X1</p>	<p><b>N</b></p>  <p>285*80*12 X2</p>	<p><b>O</b></p>  <p>376*295*3 X1</p>
<p><b>P</b></p>  <p>438*125*12 X1</p>	<p><b>Q</b></p>  <p>442*212*12 X1</p>	<p><b>R</b></p>  <p>801*438*12 X1</p>	<p><b>S</b></p>  <p>570*438*12 X1</p>	<p><b>1</b></p>  <p>X48+2</p>
<p><b>2</b></p>  <p>X48+2</p>	<p><b>3</b></p>  <p>X1</p>	<p><b>4</b></p>  <p>X1</p>	<p><b>5</b></p>  <p>X1</p>	<p><b>6</b></p>  <p>X1</p>
<p><b>7</b></p>  <p>X34+2</p>	<p><b>8</b></p>  <p>X4+1</p>	<p><b>9</b></p>  <p>X3</p>	<p><b>10</b></p>  <p>ST4x25 X1</p>	<p><b>11</b></p>  <p>X4</p>
<p><b>12</b></p>  <p>X1</p>	<p><b>13</b></p>  <p>X1</p>			

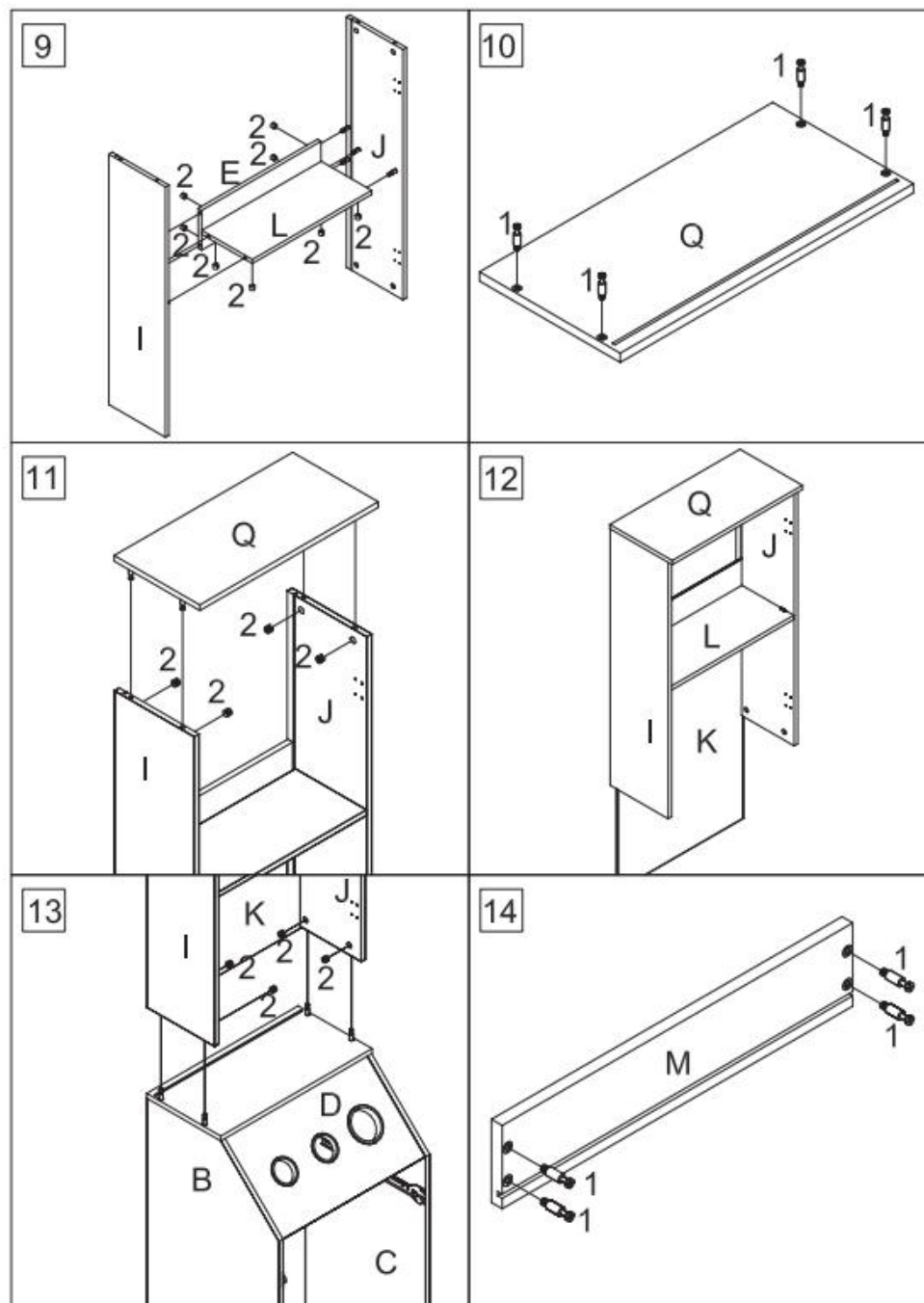




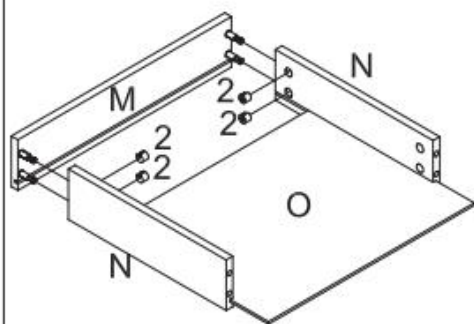
# ASSEMBLY INSTRUCTION



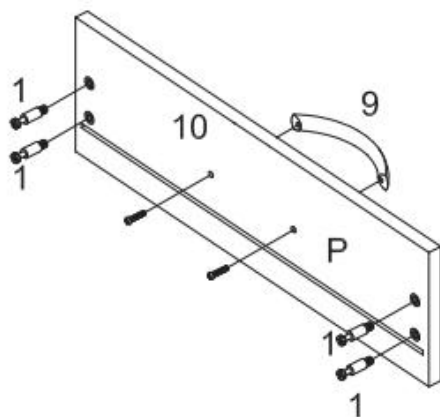




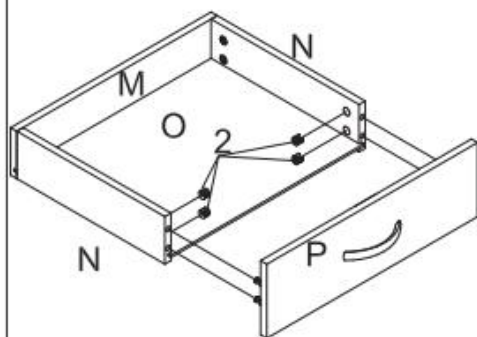
15



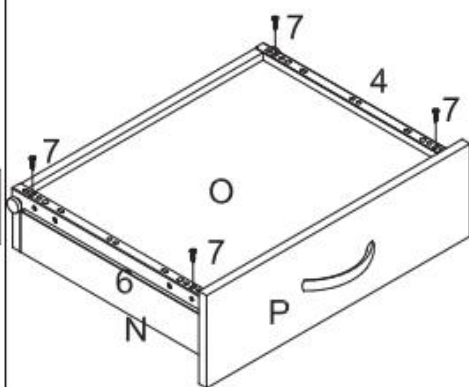
16

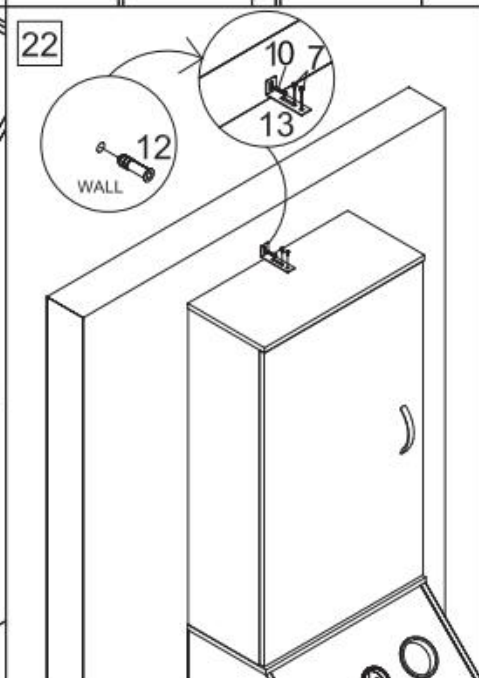
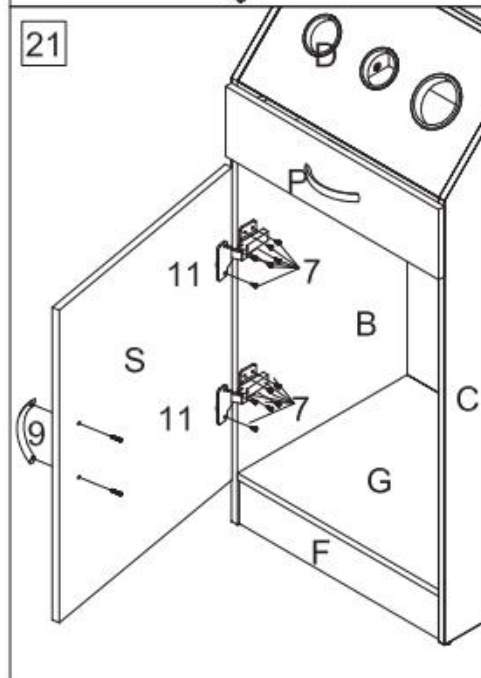
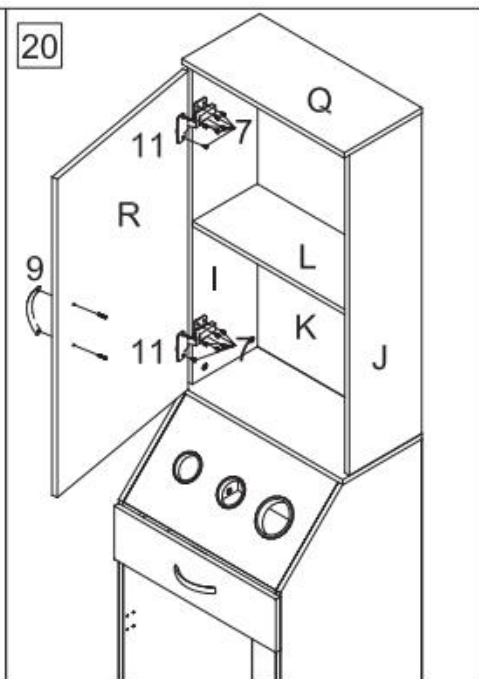
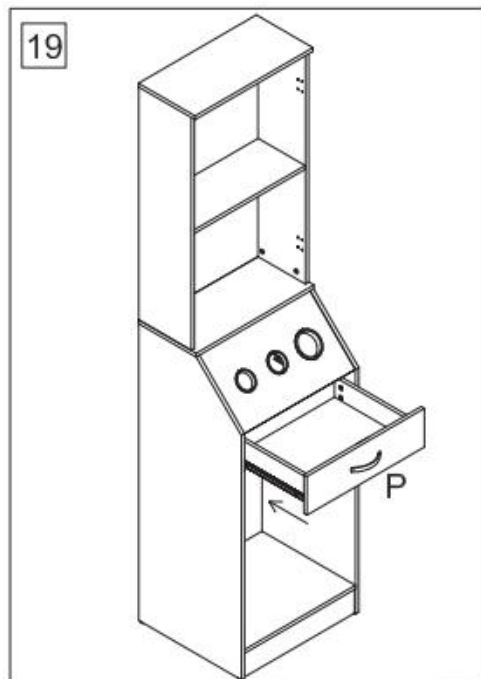


17



18





## PRODUCT PARAMETER

Dimensioni (mm)	440*400*1800
Colore	Nero
Tipo	1 cassetto + 2 vani portaoggetti
Struttura	MDF+lega resistente al calore
Atto	Lega di alluminio



**VEVOR<sup>®</sup>**

**TOUGH TOOLS, HALF PRICE**

**Tecnico Supporto e certificato di garanzia elettronica**

**[www.vevor.com/support](http://www.vevor.com/support)**