

# **VEVOR<sup>®</sup>**

## **TOUGH TOOLS, HALF PRICE**

Technical Support and E-Warranty Certificate [www.vevor.com/support](http://www.vevor.com/support)

# **DJ FACADE TABLE STATION**

## **USER MANUAL**

We continue to be committed to provide you tools with competitive price.

"Save Half", "Half Price" or any other similar expressions used by us only represents an estimate of savings you might benefit from buying certain tools with us compared to the major top brands and does not necessarily mean to cover all categories of tools offered by us. You are kindly reminded to verify carefully when you are placing an order with us if you are actually saving half in comparison with the top major brands.

# VEVOR®

TOUGH TOOLS, HALF PRICE

DJ FACADE  
TABLE STATION

DJ-04



## NEED HELP? CONTACT US!

Have product questions? Need technical support? Please feel free to contact us:

**Technical Support and E-Warranty Certificate**  
[www.vevor.com/support](http://www.vevor.com/support)

This is the original instruction, please read all manual instructions carefully before operating. VEVOR reserves a clear interpretation of our user manual. The appearance of the product shall be subject to the product you received. Please forgive us that we won't inform you again if there are any technology or software updates on our product.

# Safety precautions

## WARNING:

**Read this instructions** before using this product. Failure to do so can result in serious injury. the basic precautions should always be followed,including the following:

PLEASE NOTE! Drawings in this manual are for illustration purposes only and in some details may differ from the actual product.

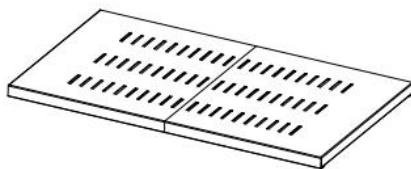
1. The DJ Facade Table Station may not be used or stored in hazardous areas. It is not allowed to use the appliance in hazardous locations.
2. The DJ Facade Table Station must be checked to ensure that it is in proper working order and is operating safely prior to use. Otherwise,the appliance must not be used.
3. The operator must use the DJ Facade Table Station properly. He must consider the local conditions and must pay attention to third parties,in particular children,when working with the DJ Facade Table Station.
4. This DJ Facade Table Station is not intended for use by persons (including children) with reduced physical,sensory or mental abilities or lacking experience and/or knowledge,unless they are super- vised by a person responsible for their safety or are instructed by these persons on the use of the device. Children should be supervised,to ensure that they do not play with the DJ Facade Table Station.

# Product List

---



X-shaped stand x1



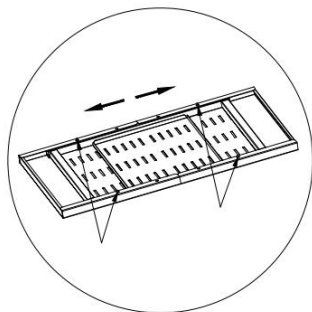
Strach panel x1



Holding strap x2

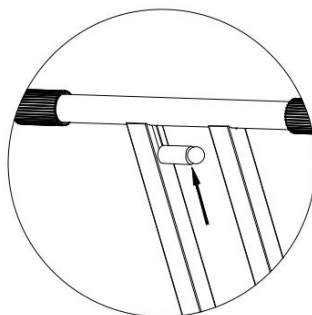
# Product Description

---

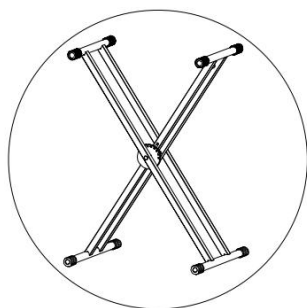


Press the silver button to adjust the Length of the panel you want

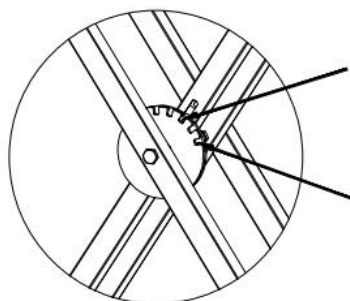
Panel size : 18inchx(32-43)inch



Hold the trigger to adjust the stand height

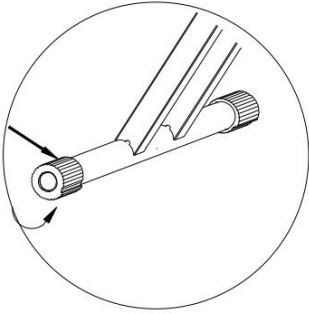


Release the trigger to lock the stand height

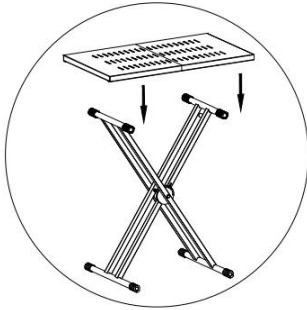


Choose the third gear get the highest height:33inch

Choose the last gear get the lowest height:18inch

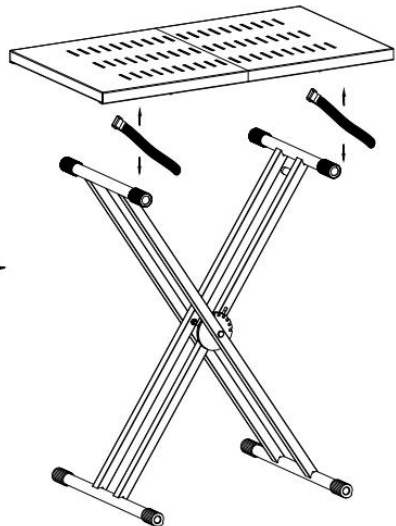
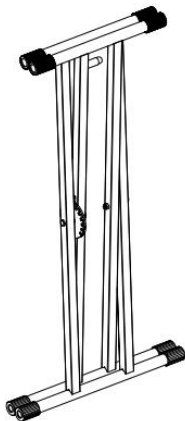


Rotate the Eccentric foot cover to adjust the uneven ground



Place the panel on the top of the stand

1. Open the stand
2. Place the panel on the stand
3. Secure the panel with the security



**Manufacturer:**Shanghaimuxinmuyeyouxiangongsi

**Address:** Shuangchenglu 803nong11hao1602A-1609shi, baoshanqu, shanghai 200000 CN.

**Imported to AUS:** SIHAO PTY LTD. 1 ROKEVA STREETEASTWOOD NSW 2122 Australia

**Imported to USA:** Sanven Technology Ltd. Suite 250, 9166 Anaheim Place, Rancho Cucamonga, CA 91730

<b>EC</b>	<b>REP</b>
-----------	------------

E-CrossStu GmbH

Mainzer Landstr.69, 60329 Frankfurt am Main.

<b>UK</b>	<b>REP</b>
-----------	------------

YH CONSULTING LIMITED.

C/O YH Consulting Limited Office 147, Centurion House,  
London Road, Staines-upon-Thames, Surrey, TW18 4AX

**VEVOR<sup>®</sup>**

**TOUGH TOOLS, HALF PRICE**

**Technical Support and E-Warranty Certificate**

**[www.vevor.com/support](http://www.vevor.com/support)**



# **VEVOR<sup>®</sup>**

## **TOUGH TOOLS, HALF PRICE**

Techniczny Certyfikat wsparcia i e-gwarancji [www.vevor.com/support](http://www.vevor.com/support)

## **STACJA STOŁOWA DJ FACADE**

### **INSTRUKCJA OBSŁUGI**

We continue to be committed to provide you tools with competitive price.

"Save Half", "Half Price" or any other similar expressions used by us only represents an estimate of savings you might benefit from buying certain tools with us compared to the major top brands and does not necessarily mean to cover all categories of tools offered by us. You are kindly reminded to verify carefully when you are placing an order with us if you are actually saving half in comparison with the top major brands.

# VEVOR®

TOUGH TOOLS, HALF PRICE

DJ FACADE  
TABLE STATION

DJ-04



## NEED HELP? CONTACT US!

Have product questions? Need technical support? Please feel free to contact us:

**Technical Support and E-Warranty Certificate**  
[www.vevor.com/support](http://www.vevor.com/support)

This is the original instruction, please read all manual instructions carefully before operating. VEVOR reserves a clear interpretation of our user manual. The appearance of the product shall be subject to the product you received. Please forgive us that we won't inform you again if there are any technology or software updates on our product.

# Środki ostrożności

## OSTRZEŻENIE:

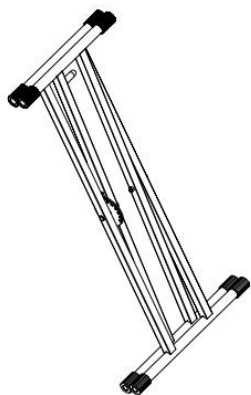
**Przeczytaj tę instrukcję** przed użyciem tego produktu. Niezastosowanie się do tego może spowodować poważne obrażenia. należy zawsze przestrzegać podstawowych środków ostrożności , w tym:

**PROSZĘ ZANOTOWAĆ!** Rysunki w tej instrukcji służą do: wyłącznie w celach ilustracyjnych i w niektórych szczegółach może różnić się od rzeczywistego produktu.

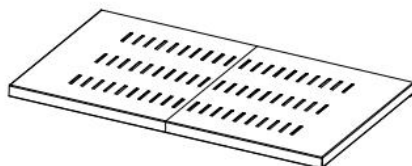
1. Stacja stołowa DJ Facade nie może być używana ani przechowywana w obszarach niebezpiecznych. Nie wolno używać urządzenia w miejscach niebezpiecznych.
2. Przed użyciem należy sprawdzić stację stołową DJ Facade, aby upewnić się, że jest w dobrym stanie i działa bezpiecznie. W przeciwnym razie nie wolno używać urządzenia.
5. Operator musi prawidłowo używać stacji stołowej DJ Facade. Podczas pracy ze stacją stołową DJ Facade Table Station musi on wziąć pod uwagę warunki lokalne i zwracać uwagę na osoby trzecie, w szczególności dzieci.
6. Niniejsza stacja stołowa DJ Facade nie jest przeznaczona do użytku przez osoby (w tym dzieci) o ograniczonych zdolnościach fizycznych, sensorycznych lub umysłowych lub nieposiadające doświadczenia i/lub wiedzy, chyba że będą one nadzorowane przez osobę odpowiedzialną za ich bezpieczeństwo lub zostaną przez nią poinstruowane. osób na temat korzystania z urządzenia. Dzieci powinny być nadzorowane, aby mieć pewność, że nie bawią się stacją stołową DJ Facade.

## Lista produktów

---



X-shaped stand x1



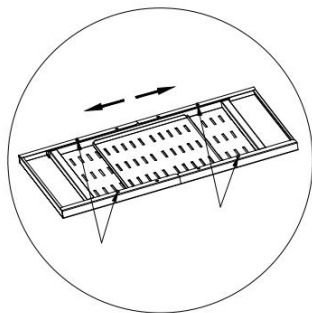
Strach panel x1



Holding strap x2

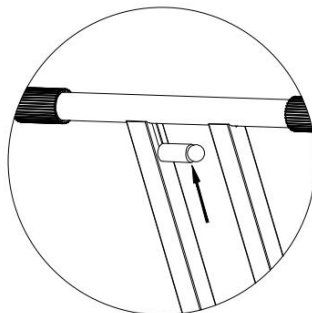
## Opis produktu

---

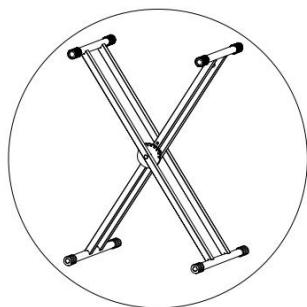


Press the silver button to adjust the Length of the panel you want

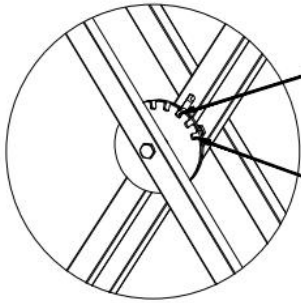
Panel size: 18inchx(32-43)inch



Hold the trigger to adjust the stand height

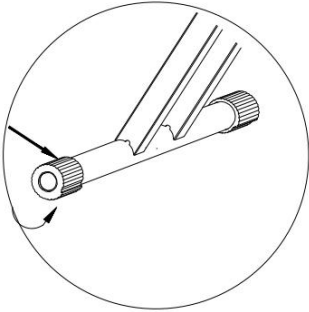


Release the trigger to lock the stand height

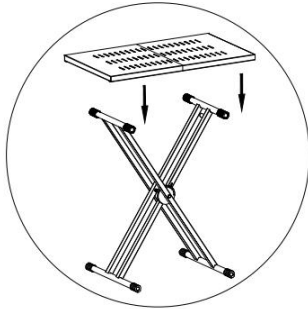


Choose the third gear get the highest height:33inch

Choose the last gear get the lowest height:18inch

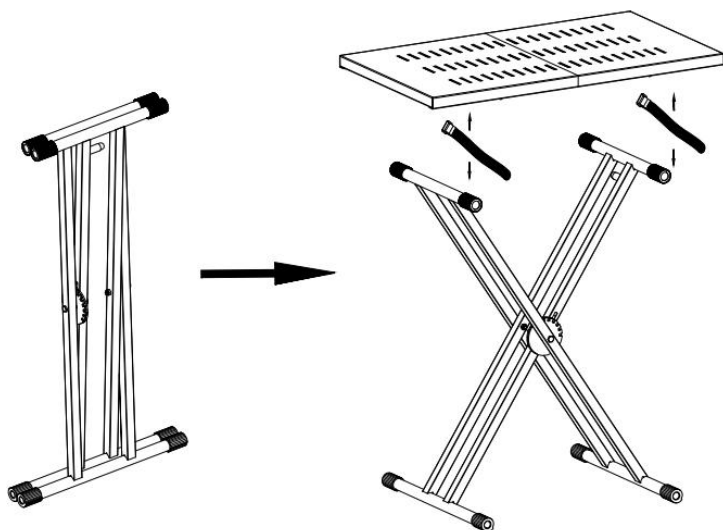


Rotate the Eccentric foot cover to adjust the uneven ground



Place the panel on the top of the stand

- 1.Open the stand
- 2.Place the panel on the stand
- 3.Secure the panel with the security



**Producent :** Shanghaimuxinmuyeyouxiangongsi

**Adres:** Shuangchenglu 803nong11hao1602A-1609shi, baoshanqu, szanghaj 200000 CN.

**Import do AUS:** SIHAO PTY LTD. 1 ROKEVA STREETEASTWOOD NSW 2122 Australia

**Import do USA:** Sanven Technology Ltd. Suite 250, 9166 Anaheim Place, Rancho Cucamonga, Kalifornia 91730

<b>EC</b>	<b>REP</b>
-----------	------------

E-CrossStu GmbH  
Mainzer Landstr.69, 60329 Frankfurt am Main.

<b>UK</b>	<b>REP</b>
-----------	------------

YH CONSULTING LIMITED.  
C/O YH Consulting Limited Office 147, Centurion House,  
London Road, Staines-upon-Thames, Surrey, TW18 4AX

**VEVOR**<sup>®</sup>

**TOUGH TOOLS, HALF PRICE**

**Techniczny Certyfikat wsparcia i e-gwarancji**

**[www.vevor.com/support](http://www.vevor.com/support)**



# **VEVOR®**

## **TOUGH TOOLS, HALF PRICE**

Technisch Support- und E-Garantie-Zertifikat [www.vevor.com/support](http://www.vevor.com/support)

## **DJ-FASSADEN-TISCHSTATION**

### **BENUTZERHANDBUCH**

We continue to be committed to provide you tools with competitive price.

"Save Half", "Half Price" or any other similar expressions used by us only represents an estimate of savings you might benefit from buying certain tools with us compared to the major top brands and does not necessarily mean to cover all categories of tools offered by us. You are kindly reminded to verify carefully when you are placing an order with us if you are actually saving half in comparison with the top major brands.

# VEVOR®

TOUGH TOOLS, HALF PRICE

DJ FACADE  
TABLE STATION

DJ-04



## NEED HELP? CONTACT US!

Have product questions? Need technical support? Please feel free to contact us:

**Technical Support and E-Warranty Certificate**  
[www.vevor.com/support](http://www.vevor.com/support)

This is the original instruction, please read all manual instructions carefully before operating. VEVOR reserves a clear interpretation of our user manual. The appearance of the product shall be subject to the product you received. Please forgive us that we won't inform you again if there are any technology or software updates on our product.

# Sicherheitsvorkehrungen

## WARNUNG:

**Lesen Sie diese Anweisungen**, bevor Sie dieses Produkt verwenden.

Andernfalls kann es zu schweren Verletzungen kommen. Die grundlegenden Vorsichtsmaßnahmen sollten immer befolgt werden, einschließlich der folgenden: **BITTE BEACHTEN SIE!** Die Zeichnungen in diesem Handbuch dienen dazu. Die Abbildungen dienen lediglich der Veranschaulichung und können in einigen Details abweichen vom tatsächlichen Produkt abweichen.

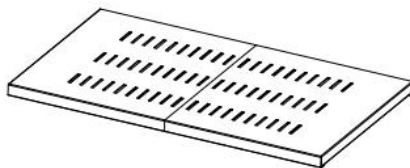
1. Die DJ Facade Table Station darf nicht in explosionsgefährdeten Bereichen verwendet oder gelagert werden. Es ist nicht gestattet, das Gerät in explosionsgefährdeten Bereichen zu verwenden.
2. Vor der Inbetriebnahme ist die DJ Facade Table Station auf Funktionstüchtigkeit und Betriebssicherheit zu prüfen. Andernfalls darf das Gerät nicht verwendet werden.
7. Der Betreiber verpflichtet sich, die DJ Facade Table Station sachgemäß zu verwenden. Er hat die örtlichen Gegebenheiten zu berücksichtigen und bei der Arbeit mit der DJ Facade Table Station auf Dritte, insbesondere Kinder, zu achten.
8. Diese DJ Facade Table Station ist nicht für den Gebrauch durch Personen (einschließlich Kinder) mit eingeschränkten physischen, sensorischen oder geistigen Fähigkeiten oder Mangel an Erfahrung und/oder Wissen bestimmt, es sei denn, sie werden durch eine für ihre Sicherheit verantwortliche Person beaufsichtigt oder erhalten von dieser Person Anweisungen zur Verwendung des Geräts. Kinder sollten beaufsichtigt werden, um sicherzustellen, dass sie nicht mit der DJ Facade Table Station spielen.

## Produktliste

---



X-shaped stand x1



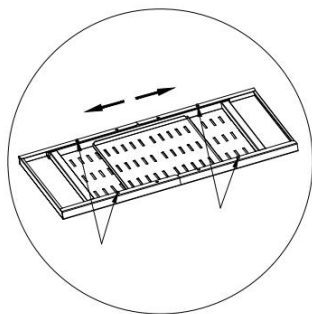
Strach panel x1



Holding strap x2

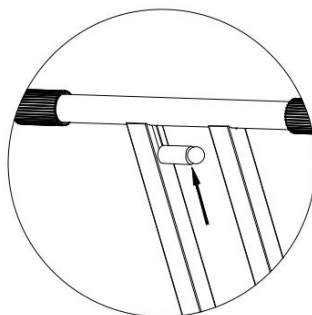
# Produktbeschreibung

---

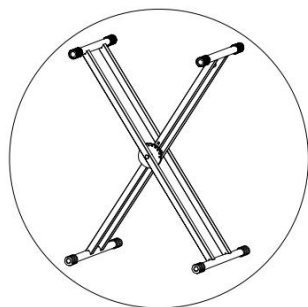


Press the silver button to adjust the  
Length of the panel you want

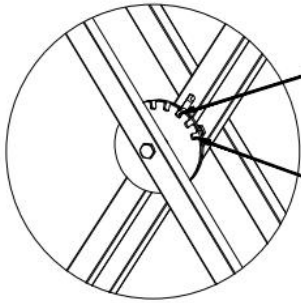
Panel size: 18inchx(32-43)inch



Hold the trigger to adjust the stand height

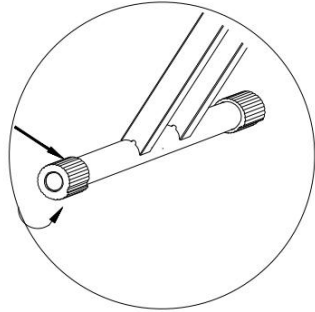


Release the trigger to lock the stand height

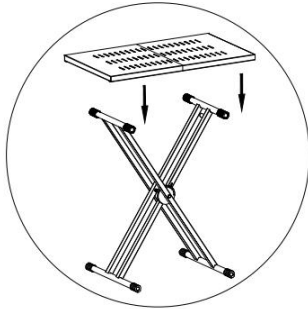


Choose the third gear get the highest height:33inch

Choose the last gear get the lowest height:18inch

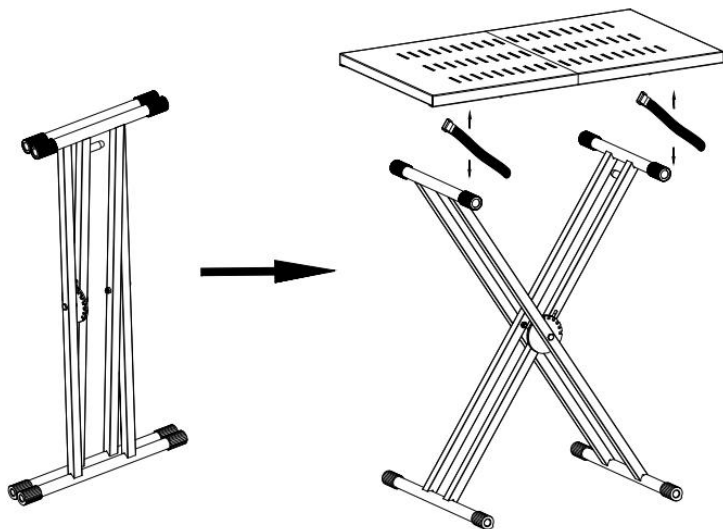


Rotate the Eccentric foot cover to adjust the uneven ground



Place the panel on the top of the stand

- 1.Open the stand
- 2.Place the panel on the stand
- 3.Secure the panel with the security



**Hersteller :** Shanghai muxinmuyeyouxiangongsi

**Adresse:** Shuangchenglu 803nong11hao1602A-1609shi, baoshanqu, Shanghai 200000 CN.

**Importiert nach AUS:** SIHAO PTY LTD. 1 ROKEVA STREET EASTWOOD NSW 2122 Australien

**In die USA importiert:** Sanven Technology Ltd. Suite 250, 9166 Anaheim Place, Rancho Cucamonga, CA 91730



E-CrossStu GmbH  
Mainzer Landstr.69, 60329 Frankfurt am Main.



YH CONSULTING LIMITED.  
C/O YH Consulting Limited Office 147, Centurion House,  
London Road, Staines-upon-Thames, Surrey, TW18 4AX

**VEVOR**<sup>®</sup>

**TOUGH TOOLS, HALF PRICE**

**Technisch Support- und E-Garantiezertifikat**

**[www.vevor.com/support](http://www.vevor.com/support)**



# **VEVOR<sup>®</sup>**

**TOUGH TOOLS, HALF PRICE**

Technique Assistance et certificat de garantie électronique

[www.vevor.com/support](http://www.vevor.com/support)

## **STATION DE TABLE DE FAÇADE DJ**

### **MANUEL DE L'UTILISATEUR**

We continue to be committed to provide you tools with competitive price.

"Save Half", "Half Price" or any other similar expressions used by us only represents an estimate of savings you might benefit from buying certain tools with us compared to the major top brands and does not necessarily mean to cover all categories of tools offered by us. You are kindly reminded to verify carefully when you are placing an order with us if you are actually saving half in comparison with the top major brands.

# VEVOR<sup>®</sup>

TOUGH TOOLS, HALF PRICE

DJ FACADE  
TABLE STATION

DJ-04



## NEED HELP? CONTACT US!

Have product questions? Need technical support? Please feel free to contact us:

**Technical Support and E-Warranty Certificate**  
[www.vevor.com/support](http://www.vevor.com/support)

This is the original instruction, please read all manual instructions carefully before operating. VEVOR reserves a clear interpretation of our user manual. The appearance of the product shall be subject to the product you received. Please forgive us that we won't inform you again if there are any technology or software updates on our product.

# Précautions de sécurité

## AVERTISSEMENT:

**Lisez ces instructions** avant d'utiliser ce produit. Ne pas le faire peut entraîner des blessures graves. les précautions de base doivent toujours être suivies , notamment les suivantes :

VEUILLEZ NOTER! Les dessins de ce manuel sont destinés à titre d'illustration uniquement et dans certains détails, peut diffèrent du produit réel.

1. La DJ Facade Table Station ne peut pas être utilisée ou stockée dans des zones dangereuses. Il est interdit d'utiliser l'appareil dans des endroits dangereux.

2. La station de table DJ Facade doit être vérifiée pour s'assurer qu'elle est en bon état de fonctionnement et qu'elle fonctionne en toute sécurité avant utilisation. Sinon, l'appareil ne doit pas être utilisé.

9. L'opérateur doit utiliser correctement la DJ Facade Table Station. Il doit tenir compte des conditions locales et doit faire attention aux tiers, en particulier aux enfants, lorsqu'il travaille avec la DJ Facade Table Station.

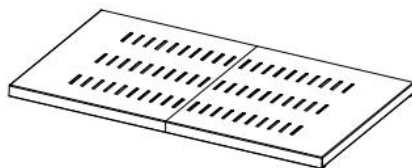
10. Cette Station de Table DJ Facade n'est pas destinée à être utilisée par des personnes (y compris des enfants) ayant des capacités physiques, sensorielles ou mentales réduites ou manquant d'expérience et/ou de connaissances, à moins qu'elles ne soient supervisées par une personne responsable de leur sécurité ou qu'elles soient instruites par celles-ci. personnes sur l'utilisation de l'appareil. Les enfants doivent être surveillés pour s'assurer qu'ils ne jouent pas avec la DJ Facade Table Station.

## Liste de produits

---



X-shaped stand x1



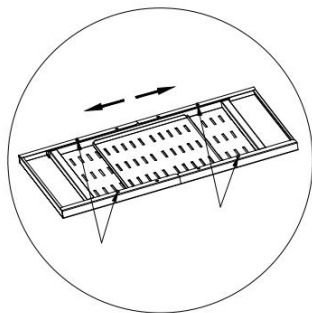
Strach panel x1



Holding strap x2

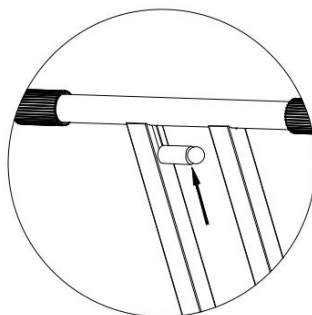
## Description du produit

---

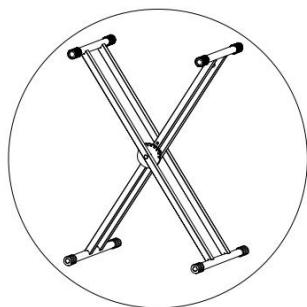


Press the silver button to adjust the Length of the panel you want

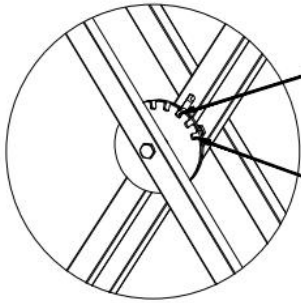
Panel size: 18inchx(32-43)inch



Hold the trigger to adjust the stand height

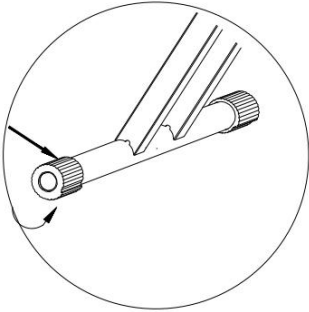


Release the trigger to lock the stand height

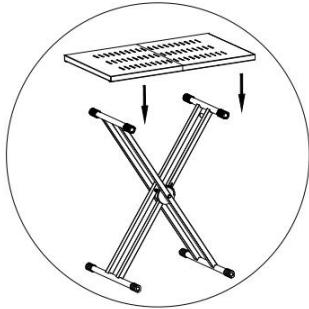


Choose the third gear get the highest height:33inch

Choose the last gear get the lowest height:18inch

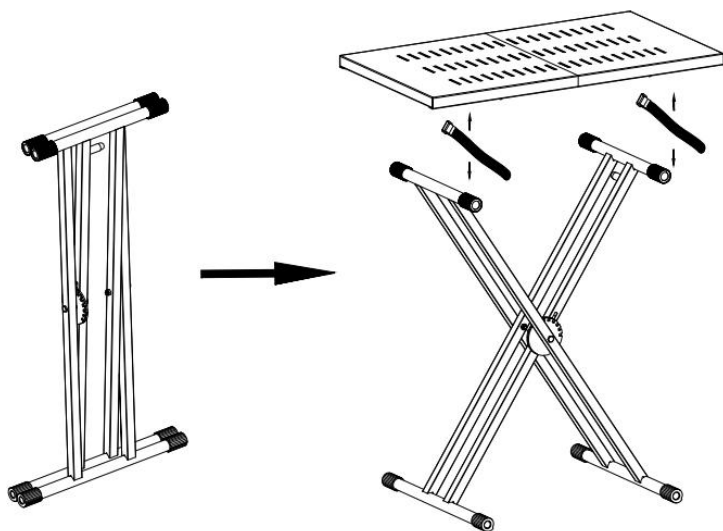


Rotate the Eccentric foot cover to adjust the uneven ground



Place the panel on the top of the stand

- 1.Open the stand
- 2.Place the panel on the stand
- 3.Secure the panel with the security



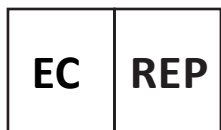
**Fabricant :** Shanghai muxinmuyeyouxiangongsi

**Adresse :** Shuangchenglu 803nong11hao1602A-1609shi, baoshanqu, Shanghai 200000 CN.

**Importé en Australie :** SIHAO PTY LTD. 1 ROKEVA STREETASTWOOD NSW 2122 Australie

**Importé aux États-Unis :** Sanven Technology Ltd. Suite 250, 9166 Anaheim

Lieu, Rancho Cucamonga, CA 91730



E-CrossStu GmbH

Mainzer Landstr.69, 60329 Frankfurt am Main.



YH CONSULTING LIMITED.

C/O YH Consulting Limited Office 147, Centurion House,  
London Road, Staines-upon-Thames, Surrey, TW18 4AX





**VEVOR**<sup>®</sup>

**TOUGH TOOLS, HALF PRICE**

**Technique Assistance et certificat de garantie électronique**

**[www.vevor.com/support](http://www.vevor.com/support)**

# **VEVOR<sup>®</sup>**

## **TOUGH TOOLS, HALF PRICE**

Technisch Ondersteuning en e-garantiecertificaat [www.vevor.com/support](http://www.vevor.com/support)

# **DJ GEVELTAFELSTATION**

## **HANDLEIDING**

We continue to be committed to provide you tools with competitive price.

"Save Half", "Half Price" or any other similar expressions used by us only represents an estimate of savings you might benefit from buying certain tools with us compared to the major top brands and does not necessarily mean to cover all categories of tools offered by us. You are kindly reminded to verify carefully when you are placing an order with us if you are actually saving half in comparison with the top major brands.

# VEVOR®

TOUGH TOOLS, HALF PRICE

DJ FACADE  
TABLE STATION

DJ-04



## NEED HELP? CONTACT US!

Have product questions? Need technical support? Please feel free to contact us:

**Technical Support and E-Warranty Certificate**  
[www.vevor.com/support](http://www.vevor.com/support)

This is the original instruction, please read all manual instructions carefully before operating. VEVOR reserves a clear interpretation of our user manual. The appearance of the product shall be subject to the product you received. Please forgive us that we won't inform you again if there are any technology or software updates on our product.

# Veiligheidsmaatregelen

## WAARSCHUWING:

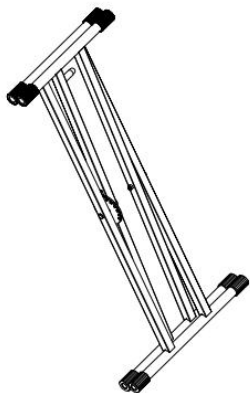
**Lees deze instructies** voordat u dit product gebruikt. Als u dit niet doet, kan dit leiden tot ernstig letsel. de basisvoorzorgsmaatregelen moeten altijd worden gevolgd , waaronder de volgende:

**HOUD ER REKENING MEE DAT!** De tekeningen in deze handleiding zijn bedoeld voor alleen ter illustratie en in sommige details mogelijk afwijken van het daadwerkelijke product.

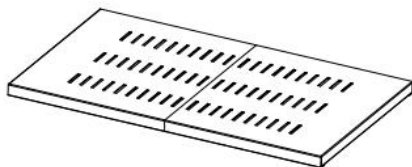
1. Het DJ Facade Table Station mag niet worden gebruikt of opgeslagen in explosiegevaarlijke ruimtes. Het is niet toegestaan het apparaat op gevaarlijke locaties te gebruiken.
2. Het DJ Facade Table Station moet vóór gebruik worden gecontroleerd om er zeker van te zijn dat het in goede staat verkeert en veilig werkt. Anders mag het apparaat niet worden gebruikt.
11. De operator moet het DJ Facade Table Station op de juiste manier gebruiken. Hij moet rekening houden met de plaatselijke omstandigheden en moet bij het werken met de DJ Facade Table Station rekening houden met derden, in het bijzonder kinderen.
12. Dit DJ Facade Table Station is niet bedoeld voor gebruik door personen (inclusief kinderen) met verminderde fysieke, zintuiglijke of mentale vermogens of gebrek aan ervaring en/of kennis, tenzij zij onder toezicht staan van een persoon die verantwoordelijk is voor hun veiligheid of door deze personen zijn geïnstrueerd. personen over het gebruik van het apparaat. Er moet toezicht worden gehouden op kinderen, om ervoor te zorgen dat ze niet met het DJ Facade Table Station spelen.

## Product lijst

---



X-shaped stand x1



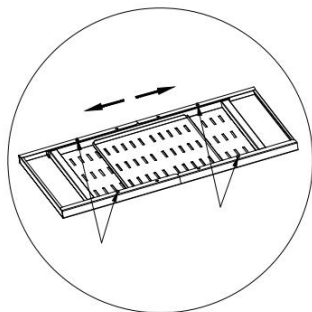
Strach panel x1



Holding strap x2

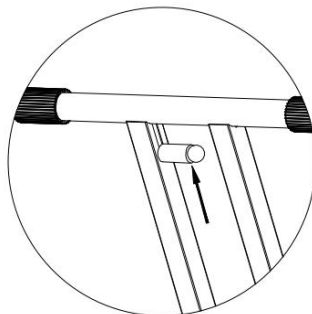
# Productomschrijving

---

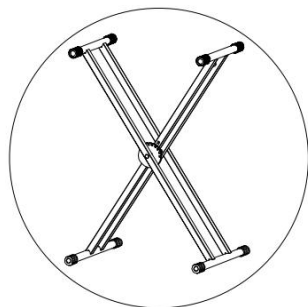


Press the silver button to adjust the Length of the panel you want

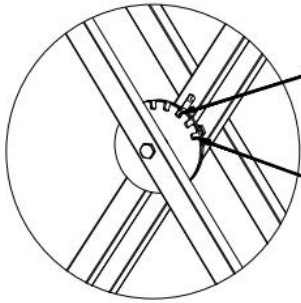
Panel size : 18inchx(32-43)inch



Hold the trigger to adjust the stand height

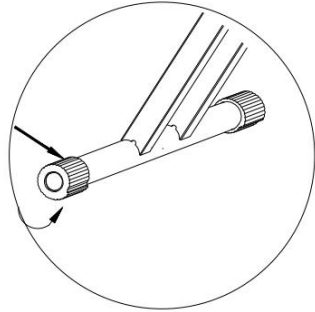


Release the trigger to lock the stand height

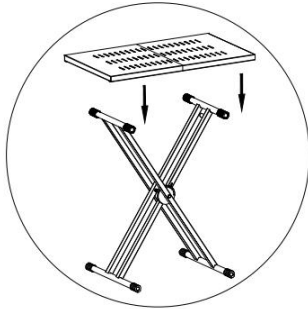


Choose the third gear get the highest height:33inch

Choose the last gear get the lowest height:18inch

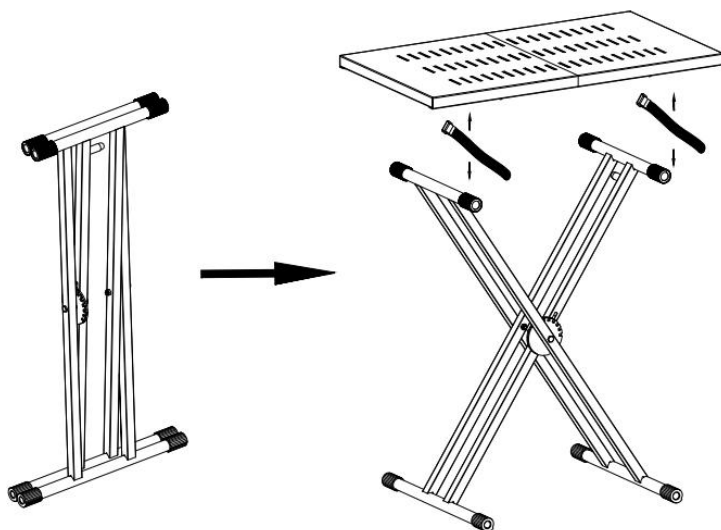


Rotate the Eccentric foot cover to adjust the uneven ground



Place the panel on the top of the stand

- 1.Open the stand
- 2.Place the panel on the stand
- 3.Secure the panel with the security



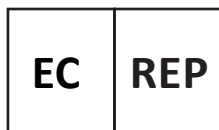
**Fabrikant :** Shanghaimuxinmuyeyouxiangongsi

**Adres:** Shuangchenglu 803nong11hao1602A-1609shi, baoshanqu, shanghai 200000 CN.

**Geïmporteerd naar AUS:** SIHAO PTY LTD. 1 ROKEVA  
STREETEASTWOOD NSW 2122 Australië

**Geïmporteerd in de VS:** Sanven Technology Ltd. Suite 250, 9166  
Anaheim

Plaats, Rancho Cucamonga, CA 91730



E-CrossStu GmbH

Mainzer Landstr.69, 60329 Frankfurt am Main.



YH CONSULTING LIMITED.

C/O YH Consulting Limited Office 147, Centurion House,  
London Road, Staines-upon-Thames, Surrey, TW18 4AX





**VEVOR**<sup>®</sup>

**TOUGH TOOLS, HALF PRICE**

**Technisch Ondersteuning en e-garantiecertificaat**

**[www.vevor.com/support](http://www.vevor.com/support)**

# **VEVOR<sup>®</sup>**

## **TOUGH TOOLS, HALF PRICE**

Teknisk Support och e-garanticertifikat [www.vevor.com/support](http://www.vevor.com/support)

# **DJ FASADBORDSSTATION**

## **ANVÄNDARMANUAL**

We continue to be committed to provide you tools with competitive price.

"Save Half", "Half Price" or any other similar expressions used by us only represents an estimate of savings you might benefit from buying certain tools with us compared to the major top brands and does not necessarily mean to cover all categories of tools offered by us. You are kindly reminded to verify carefully when you are placing an order with us if you are actually saving half in comparison with the top major brands.

# VEVOR®

TOUGH TOOLS, HALF PRICE

DJ FACADE  
TABLE STATION

DJ-04



## NEED HELP? CONTACT US!

Have product questions? Need technical support? Please feel free to contact us:

**Technical Support and E-Warranty Certificate**  
[www.vevor.com/support](http://www.vevor.com/support)

This is the original instruction, please read all manual instructions carefully before operating. VEVOR reserves a clear interpretation of our user manual. The appearance of the product shall be subject to the product you received. Please forgive us that we won't inform you again if there are any technology or software updates on our product.

# Säkerhetsåtgärder

## **VARNING:**

**Läs dessa instruktioner** innan du använder denna produkt. Underlåtenhet att göra det kan resultera i allvarliga skador. de grundläggande försiktighetsåtgärderna bör alltid följas , inklusive följande:  
**VÄNLIGEN NOTERA!** Ritningar i denna handbok är till för endast i illustrationssyfte och i vissa detaljer kan skilja sig från den faktiska produkten.

1. DJ Facade Table Station får inte användas eller förvaras i riskområden. Det är inte tillåtet att använda apparaten på farliga platser.

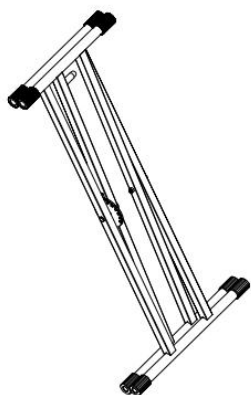
2. DJ Fasadbordsstationen måste kontrolleras för att säkerställa att den är i korrekt fungerande skick och fungerar säkert före användning. I annat fall får apparaten inte användas.

13. Operatören måste använda DJ Facade Table Station på rätt sätt. Han måste ta hänsyn till de lokala förhållandena och måste vara uppmärksam på tredje part, särskilt barn, när han arbetar med DJ Facade Table Station.

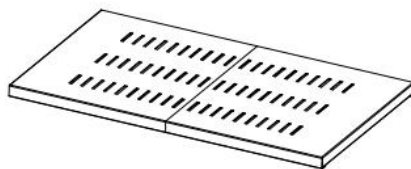
14. Denna DJ Facade Table Station är inte avsedd att användas av personer (inklusive barn) med nedsatta fysiska, sensoriska eller mentala förmågor eller som saknar erfarenhet och/eller kunskap, såvida de inte övervakas av en person som ansvarar för deras säkerhet eller instrueras av dessa personer om användningen av enheten. Barn bör övervakas för att säkerställa att de inte leker med DJ Facade Table Station.

# Produktlista

---



X-shaped stand x1



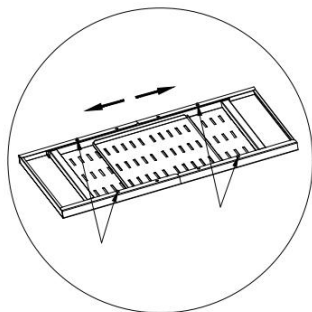
Strach panel x1



Holding strap x2

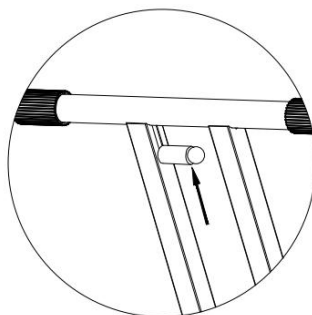
# Produktbeskrivning

---

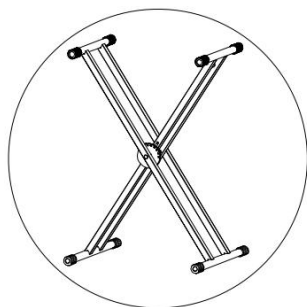


Press the silver button to adjust the Length of the panel you want

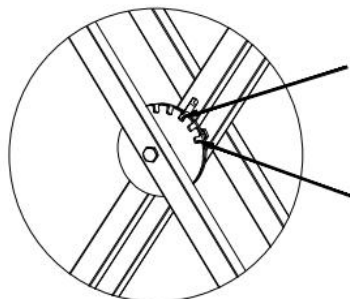
Panel size : 18inchx(32-43)inch



Hold the trigger to adjust the stand height

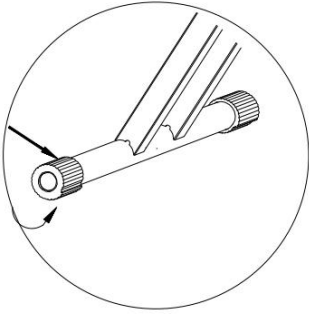


Release the trigger to lock the stand height

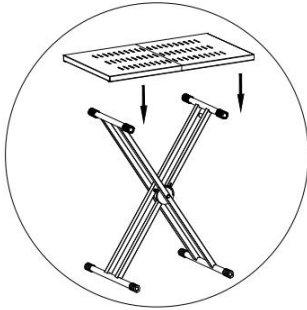


Choose the third gear get the highest height:33inch

Choose the last gear get the lowest height:18inch

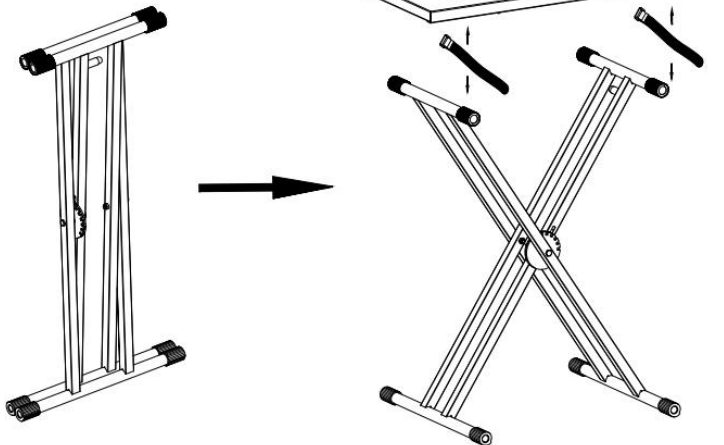


Rotate the Eccentric foot cover to adjust the uneven ground



Place the panel on the top of the stand

1. Open the stand
2. Place the panel on the stand
3. Secure the panel with the security





**Tillverkare :** Shanghaimuxinmuyeyouxiangongsi

**Adress:** Shuangchenglu 803nong11hao1602A-1609shi, baoshanqu, shanghai 200000 CN.

**Importerad till AUS:** SIHAO PTY LTD. 1 ROKEVA STREETEASTWOOD NSW 2122 Australien

**Importerad till USA:** Sanven Technology Ltd. Suite 250, 9166 Anaheim Place, Rancho Cucamonga, CA 91730

<b>EC</b>	<b>REP</b>
-----------	------------

E-CrossStu GmbH

Mainzer Landstr.69, 60329 Frankfurt am Main.

<b>UK</b>	<b>REP</b>
-----------	------------

YH CONSULTING LIMITED.

C/O YH Consulting Limited Office 147, Centurion House,  
London Road, Staines-upon-Thames, Surrey, TW18 4AX

**VEVOR**<sup>®</sup>

**TOUGH TOOLS, HALF PRICE**

**Teknisk Support och e-garanticertifikat**

**[www.vevor.com/support](http://www.vevor.com/support)**

# **VEVOR<sup>®</sup>**

## **TOUGH TOOLS, HALF PRICE**

Técnico Soporte y certificado de garantía electrónica [www.vevor.com/support](http://www.vevor.com/support)

# **ESTACIÓN DE MESA PARA FACHADA DE DJ**

## **MANUAL DE USUARIO**

We continue to be committed to provide you tools with competitive price.

"Save Half", "Half Price" or any other similar expressions used by us only represents an estimate of savings you might benefit from buying certain tools with us compared to the major top brands and does not necessarily mean to cover all categories of tools offered by us. You are kindly reminded to verify carefully when you are placing an order with us if you are actually saving half in comparison with the top major brands.

# VEVOR®

TOUGH TOOLS, HALF PRICE

DJ FACADE  
TABLE STATION

DJ-04



## NEED HELP? CONTACT US!

Have product questions? Need technical support? Please feel free to contact us:

**Technical Support and E-Warranty Certificate**  
[www.vevor.com/support](http://www.vevor.com/support)

This is the original instruction, please read all manual instructions carefully before operating. VEVOR reserves a clear interpretation of our user manual. The appearance of the product shall be subject to the product you received. Please forgive us that we won't inform you again if there are any technology or software updates on our product.

# Precauciones de seguridad

## ADVERTENCIA:

**Lea estas instrucciones** antes de usar este producto. De lo contrario, se pueden producir lesiones graves. Siempre se deben seguir las precauciones básicas , incluidas las siguientes:

¡TENGA EN CUENTA! Los dibujos de este manual son para Sólo con fines ilustrativos y en algunos detalles puede difieren del producto real.

1. La DJ Facade Table Station no se puede utilizar ni almacenar en áreas peligrosas. No está permitido utilizar el aparato en lugares peligrosos.

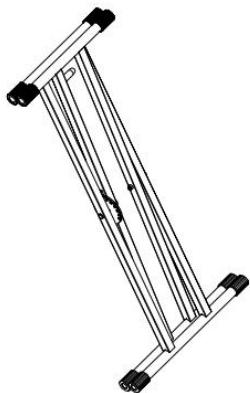
2. Se debe revisar la DJ Facade Table Station para garantizar que esté en buenas condiciones de funcionamiento y que funcione de manera segura antes de su uso. De lo contrario, no se debe utilizar el aparato.

15. El operador debe utilizar correctamente la DJ Facade Table Station. Debe tener en cuenta las condiciones locales y prestar atención a terceros, en particular a los niños, cuando trabaje con DJ Facade Table Station.

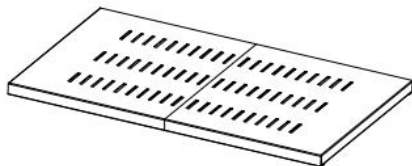
16. Esta estación de mesa DJ Facade no está diseñada para que la utilicen personas (incluidos niños) con capacidades físicas, sensoriales o mentales reducidas o que carezcan de experiencia y/o conocimiento, a menos que estén supervisadas por una persona responsable de su seguridad o reciban instrucciones de estas personas. personas sobre el uso del dispositivo. Los niños deben ser supervisados para asegurarse de que no jueguen con DJ Facade Table Station.

## Lista de productos

---



X-shaped stand x1



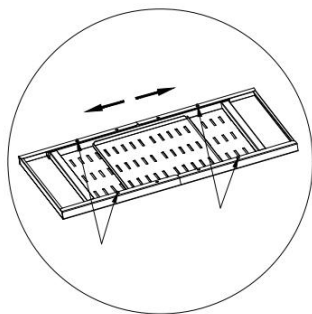
Strach panel x1



Holding strap x2

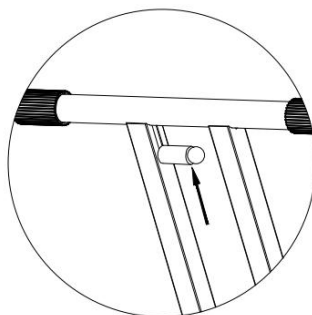
## Descripción del Producto

---

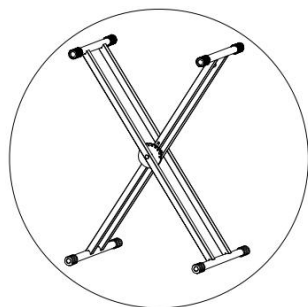


Press the silver button to adjust the Length of the panel you want

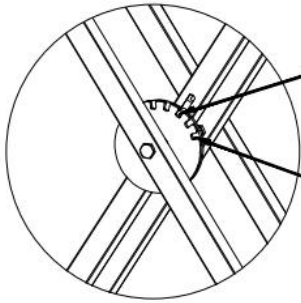
Panel size: 18inchx(32-43)inch



Hold the trigger to adjust the stand height

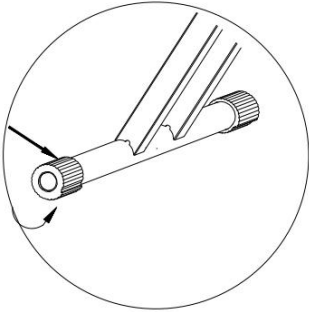


Release the trigger to lock the stand height

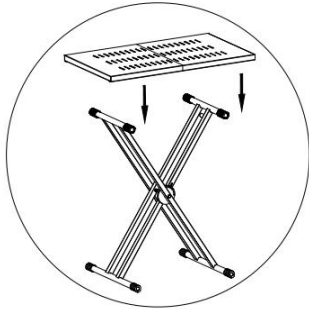


Choose the third gear get the highest height:33inch

Choose the last gear get the lowest height:18inch



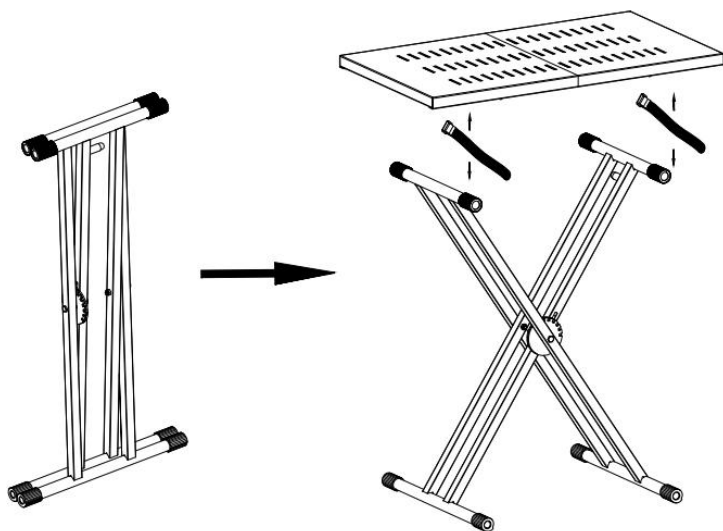
Rotate the Eccentric foot cover to adjust the uneven ground



Place the panel on the top of the stand

- 1.Open the stand
- 2.Place the panel on the stand
- 3.Secure the panel with the security





**Fabricante :** Shanghaimuxinmuyeyouxiangongsi

**Dirección:** Shuangchenglu 803nong11hao1602A-1609shi, baoshanqu, shanghai 200000 CN.

**Importado a AUS:** SIHAO PTY LTD. 1 ROKEVA STREET ASTWOOD NSW 2122 Australia

**Importado a EE. UU.:** Sanven Technology Ltd. Suite 250, 9166 Anaheim Lugar, Rancho Cucamonga, CA 91730

<b>EC</b>	<b>REP</b>
-----------	------------

E-CrossStu GmbH  
Mainzer Landstr.69, 60329 Frankfurt am Main.

<b>UK</b>	<b>REP</b>
-----------	------------

YH CONSULTING LIMITED.  
C/O YH Consulting Limited Office 147, Centurion House,  
London Road, Staines-upon-Thames, Surrey, TW18 4AX

**VEVOR**<sup>®</sup>

**TOUGH TOOLS, HALF PRICE**

**Técnico Certificado de soporte y garantía electrónica**

**[www.vevor.com/support](http://www.vevor.com/support)**

# **VEVOR<sup>®</sup>**

## **TOUGH TOOLS, HALF PRICE**

Tecnico Supporto e certificato di garanzia elettronica [www.vevor.com/support](http://www.vevor.com/support)

# **STAZIONE DA TAVOLO DJ FACADE**

## **MANUALE D'USO**

We continue to be committed to provide you tools with competitive price.

"Save Half", "Half Price" or any other similar expressions used by us only represents an estimate of savings you might benefit from buying certain tools with us compared to the major top brands and does not necessarily mean to cover all categories of tools offered by us. You are kindly reminded to verify carefully when you are placing an order with us if you are actually saving half in comparison with the top major brands.

# VEVOR<sup>®</sup>

TOUGH TOOLS, HALF PRICE

DJ FACADE  
TABLE STATION

DJ-04



## NEED HELP? CONTACT US!

Have product questions? Need technical support? Please feel free to contact us:

**Technical Support and E-Warranty Certificate**  
[www.vevor.com/support](http://www.vevor.com/support)

This is the original instruction, please read all manual instructions carefully before operating. VEVOR reserves a clear interpretation of our user manual. The appearance of the product shall be subject to the product you received. Please forgive us that we won't inform you again if there are any technology or software updates on our product.

# Misure di sicurezza

## AVVERTIMENTO:

**Leggere queste istruzioni** prima di utilizzare questo prodotto. In caso contrario si potrebbero causare lesioni gravi. È necessario seguire sempre le precauzioni di base , incluse le seguenti:

**NOTARE CHE!** I disegni contenuti in questo manuale servono solo a scopo illustrativo e in alcuni dettagli differire dal prodotto reale.

1. La DJ Facade Table Station non può essere utilizzata o conservata in aree pericolose. Non è consentito utilizzare l'apparecchio in luoghi pericolosi.

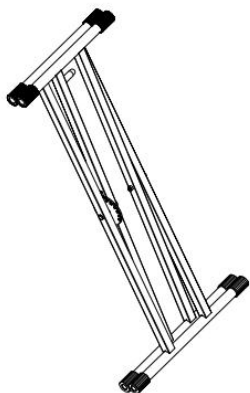
2. La DJ Facade Table Station deve essere controllata per assicurarsi che sia in condizioni di funzionamento adeguate e funzioni in sicurezza prima dell'uso. In caso contrario l'apparecchio non deve essere utilizzato.

17. L'operatore deve utilizzare correttamente la DJ Facade Table Station. Quando si lavora con la DJ Facade Table Station è necessario considerare le condizioni locali e prestare attenzione ai terzi, in particolare ai bambini.

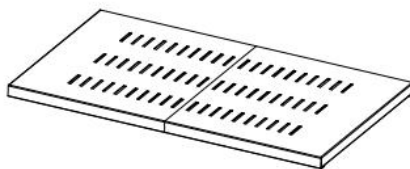
18. Questa DJ Facade Table Station non è destinata all'uso da parte di persone (inclusi i bambini) con ridotte capacità fisiche, sensoriali o mentali o prive di esperienza e/o conoscenza, a meno che non siano supervisionate da una persona responsabile della loro sicurezza o siano istruite da questa. persone sull'uso del dispositivo. I bambini devono essere sorvegliati per assicurarsi che non giochino con la DJ Facade Table Station.

## Elenco prodotti

---



X-shaped stand x1



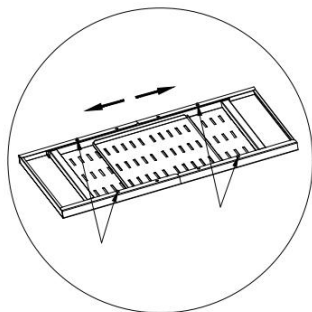
Strach panel x1



Holding strap x2

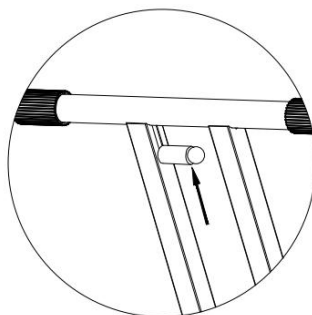
## Descrizione del prodotto

---

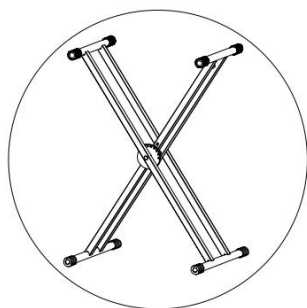


Press the silver button to adjust the Length of the panel you want

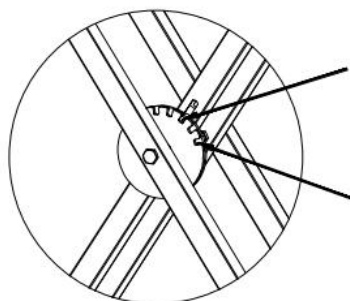
Panel size: 18inchx(32-43)inch



Hold the trigger to adjust the stand height

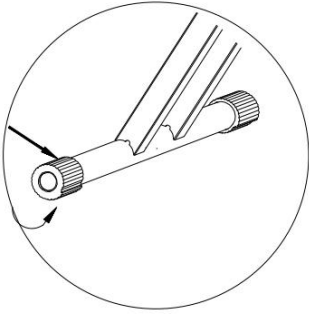


Release the trigger to lock the stand height

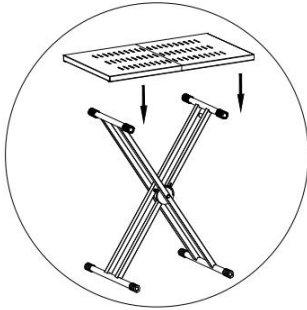


Choose the third gear get the highest height:33inch

Choose the last gear get the lowest height:18inch

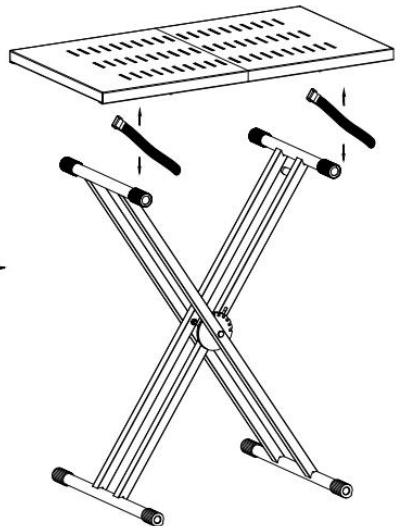
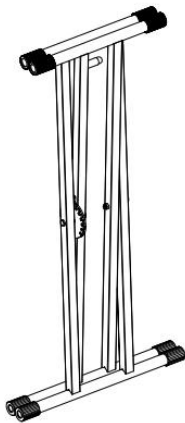


Rotate the Eccentric foot cover to adjust the uneven ground



Place the panel on the top of the stand

1. Open the stand
2. Place the panel on the stand
3. Secure the panel with the security





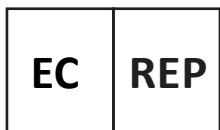
**Produttore** : Shanghaimuxinmuyeyouxiangongsi

**Indirizzo**: Shuangchenglu 803nong11hao1602A-1609shi, baoshanqu, shanghai 200000 CN.

**Importato in AUS**: SIHAO PTY LTD. 1 ROKEVA STREETEASTWOOD NSW 2122 Australia

**Importato negli Stati Uniti**: Sanven Technology Ltd. Suite 250, 9166 Anaheim

Luogo, Rancho Cucamonga, CA 91730



E-CrossStu GmbH

Mainzer Landstr.69, 60329 Frankfurt am Main.



YH CONSULTING LIMITED.

C/O YH Consulting Limited Office 147, Centurion House,  
London Road, Staines-upon-Thames, Surrey, TW18 4AX

**VEVOR**<sup>®</sup>

**TOUGH TOOLS, HALF PRICE**

**Tecnico Supporto e certificato di garanzia elettronica**

**[www.vevor.com/support](http://www.vevor.com/support)**