

VEVOR[®]

TOUGH TOOLS, HALF PRICE

Technical Support and E-Warranty Certificate www.vevor.com/support

BARN DOOR USER MANUAL

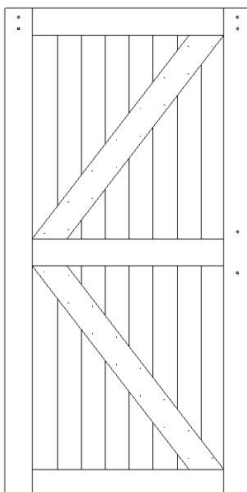
We continue to be committed to provide you tools with competitive price. "Save Half", "Half Price" or any other similar expressions used by us only represents an estimate of savings you might benefit from buying certain tools with us compared to the major top brands and does not necessarily mean to cover all categories of tools offered by us. You are kindly reminded to verify carefully when you are placing an order with us if you are actually saving half in comparison with the top major brands.

VEVOR[®]

TOUGH TOOLS, HALF PRICE

BARN DOOR

MODEL: 42AK



(The picture is for reference only, please refer to the actual object)

NEED HELP? CONTACT US!

Have product questions? Need technical support? Please feel free to contact us:

Technical Support and E-Warranty Certificate
www.vevor.com/support

This is the original instruction, please read all manual instructions carefully before operating. VEVOR reserves a clear interpretation of our user manual. The appearance of the product shall be subject to the product you received. Please forgive us that we won't inform you again if there are any technology or software updates on our product.

SAFETY INSTRUCTION AND PRECAUTIONS



WARNING:

Read this material before using this product. Failure to do so can result in serious injury.

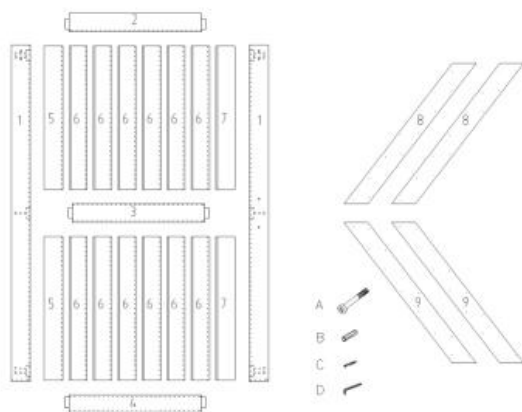
1. This product is not a toy. Do not allow children to play with this item.
2. Use as intended only.
3. **Work area safety:** Keep the workplace clean and bright. Chaos and dark places can cause an accident.
4. Use safety devices. Always wear goggles. Safety devices, such as dust masks under suitable conditions, non-slip safety shoes, helmets, hearing protection and other devices can reduce personal injury.
5. Dress properly. Do not wear loose clothing or wear jewelry. Keep your hair, clothes and sleeves away from moving parts. Loose clothing, ornaments or long hair may be involved in moving parts.

OPERATION AS BELOW

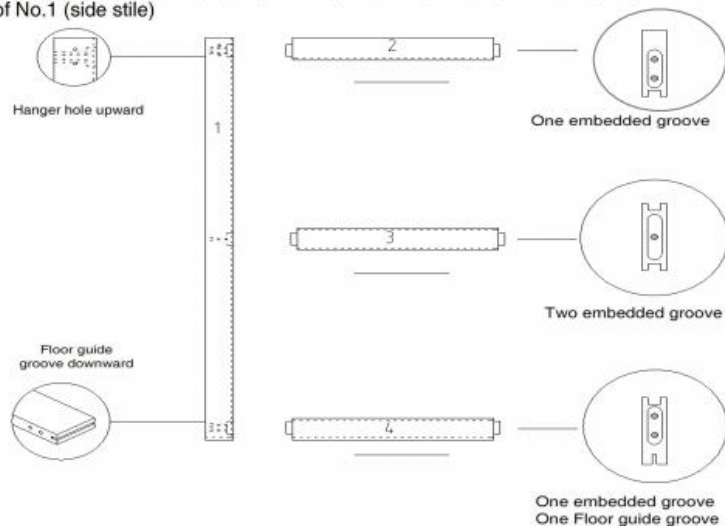
42"x84" Barn Door Installation Instruction

Package List

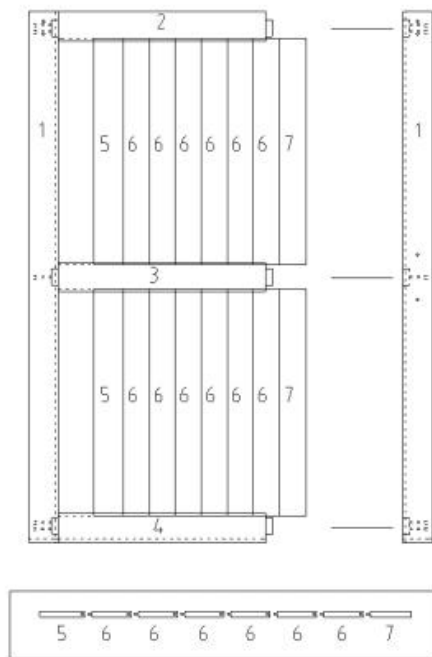
No.	Name	Quantity
1	Side Stile	2
2	Top Rail	1
3	Middle Rail	1
4	Bottom Rail	1
5	Left Side Slat	2
6	Middle Slat	6
7	Right Side Slat	2
8	Diagonal Plank	2
9	Diagonal Plank	2
A	2-3/4" Lag Bolts	10
B	Wood Plug	10
C	13/16" Lag Bolts	56
D	Hexagonal wrench	1



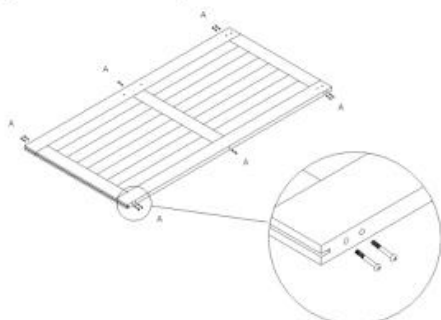
Step 1. Assemble on clean and flat ground, find the No.1 (side stile) and let the grooved side face to the right, find the No.2 (top rail), No.3 (middle rail), No.4 (bottom rail) to put into the groove of No.1 (side stile)



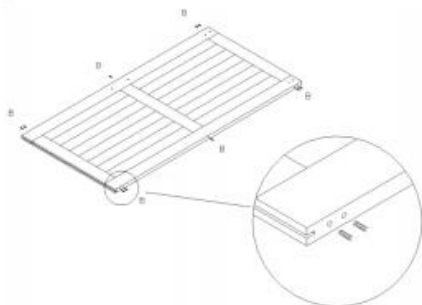
Step 2. Find the 2 pcs of No.5 (left side slat) insert into No.1 (left side stile), then insert 6 pcs of No.6 (middle slat) one by one and insert 2 pcs of No.7 (right side slat) to No.6, finally assemble another No.1 (right side stile)



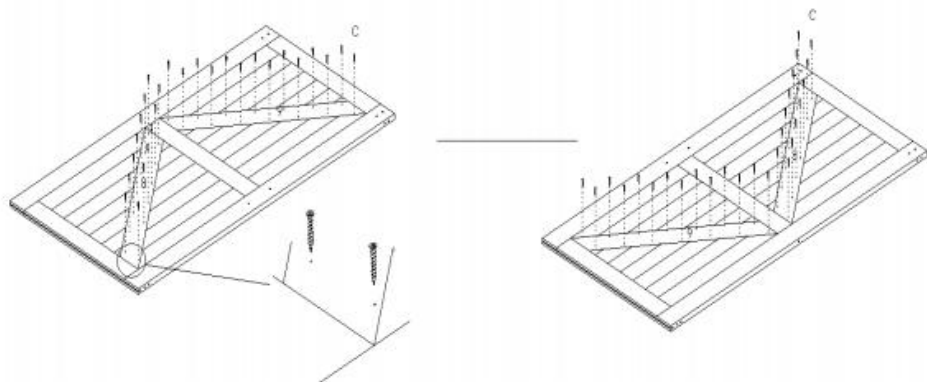
Step 3. Insert the 10 pcs of A (2-3/4" lag bolts) into No. 1 (left side stile and right side stile) and tighten them securely



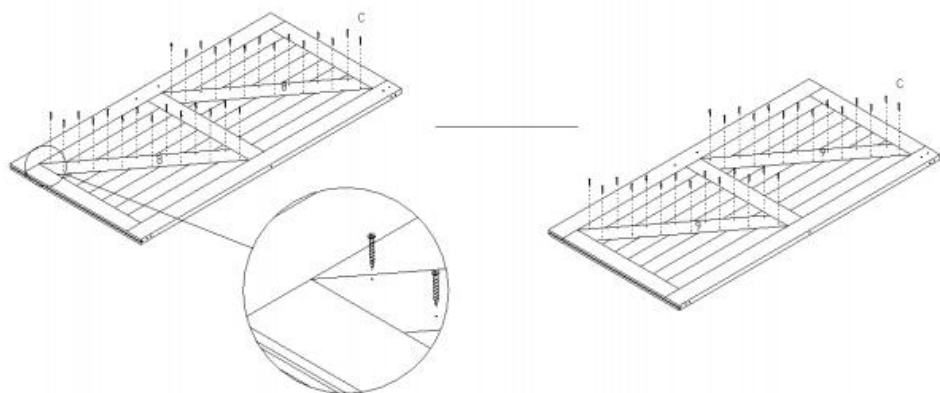
Step 4. Insert the 10 pcs of B (wood plug) into all holes of No. 1 (left side stile and right side stile)



Step 5. Install the No. 8 (diagonal overlay) and No. 9 (diagonal overlay) using C (13/16" lag bolts) on the front of door, then turn the door over, install the other side.



You also install this style



⚠ WARNING

- It is recommended to wear protective equipment during installation and transportation to prevent sprain and bruise.
- If the door is not securely installed, it may cause the door to move or fall apart unexpectedly. Please make sure all the screws are in place and tighten before hanging.
- Please note that body parts (such as hair, fingers, etc.) stuck in the moving parts during installation may cause squeezing and serious injury.
- The door is heavy, we recommend 2 people for this build. Close the door carefully and do not get caught, such as fingers and babies. Improper handling may cause loss of balance and serious injury.

⚠ ABOUT SOLID WOOD DOORS

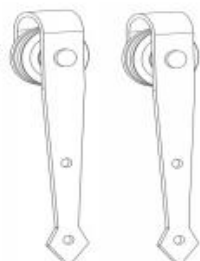
- The slab belongs to natural wood, it is likely to deform and expand slightly when exposed to moisture, it is a normal natural phenomenon, please keep away from the humid environment.
- In the production process we have sanded the edges of the slabs, but it is still possible to get some burrs. You can use the included sandpaper to smooth it, It is not a product defect.
- Natural wood itself contains nodules, which are not adjustable and controllable, It is not a product defect or quality problem
- It is recommended that you paint the slab after installation, which can prevent the door from moisture and scratches, while extending the service life of the product.

Product Content

1.1, 2XRail



2.1, 2XHanger



2.2, 4XLong Door Screw



3.1, 5XWall Spacer



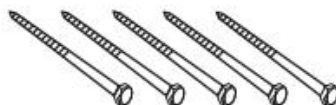
3.2, 5XAnchor

(For concrete wall)

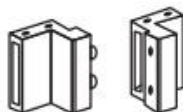


3.3, 5XLag Bolt

(For wood stud)



4.1, 2XDoor Stopper



4.2, 1XHex Key



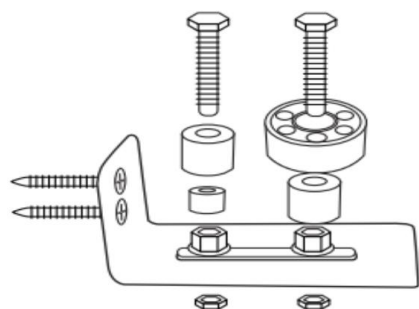
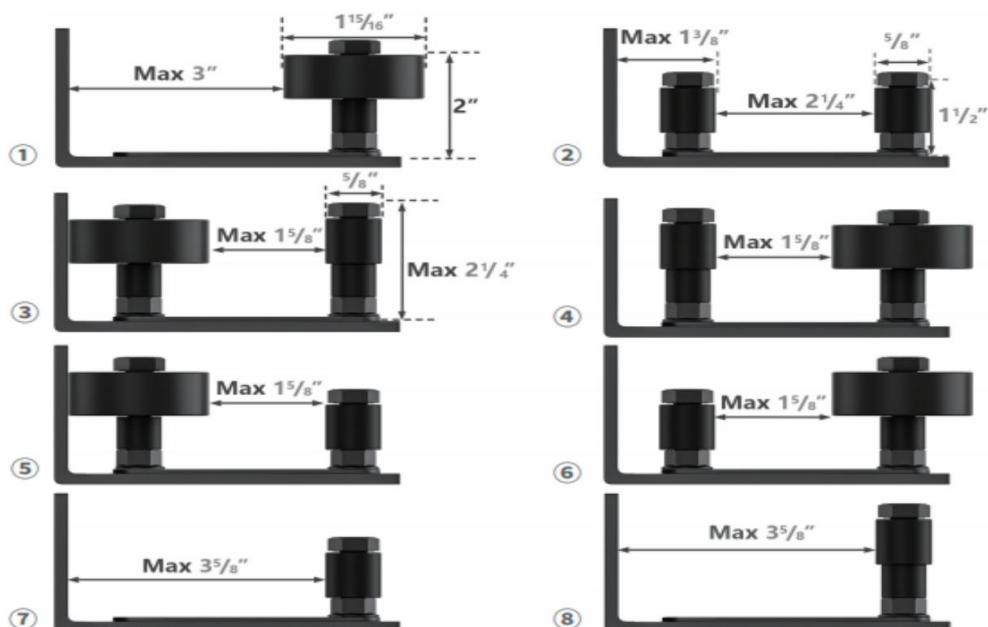
4.3, 2XRubber End



4.4, 1XFloor Guide



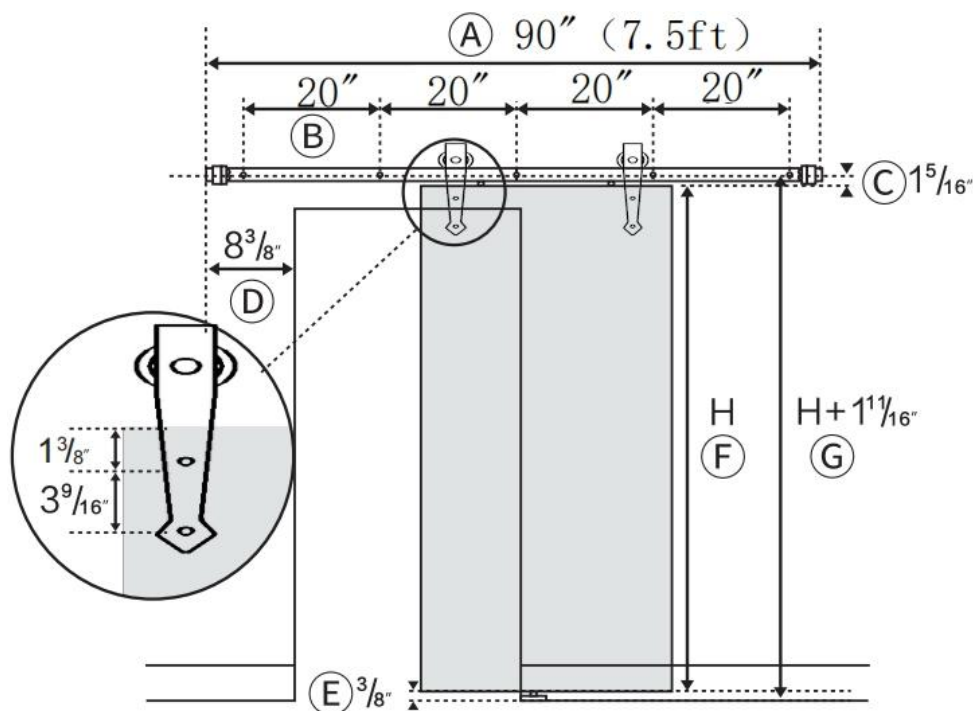
Ground guide rail installation



Notice:

The big roller and 2 small rollers can be separately install/take out from the floor guide. You can freely choose the setups you like to fit your doors. These rollers are UNNECESSARY to always be installed together.

Measurements



A. Over rail length is 90".

B. The gap between each pre-drilled hole is 20".

C. Distance from door top side to holes on the wall is 1 5/16".

D. End of the rail is 8 3/8" away from the entrance of the door.

E. Distance from the bottom of the door is 3/8".

F. Door height is H.

G. The height of holes on the wall is H + 1 1/16".

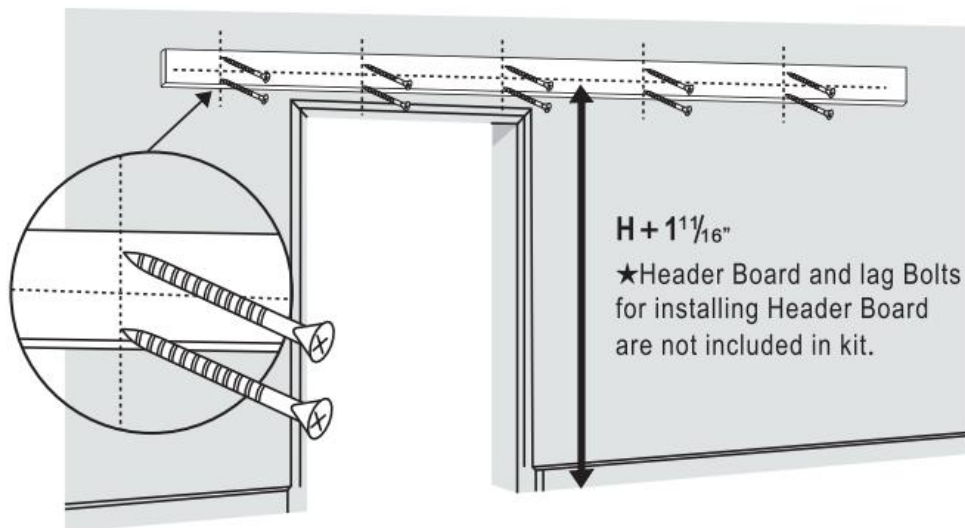
Instructions

It is very important determine whether you will be installing a Header Board prior to installing the track.

Due to many overlapping factors such as the location of wall studs (Our rail come with pre-drilled holes every 16" on center), the weight of a barn door and the various types of trim used in homes , we recommend using a Header Board in all situations.

Please install a 1"x 4" or 1"x 6" Header Board above the door opening directly into studs.

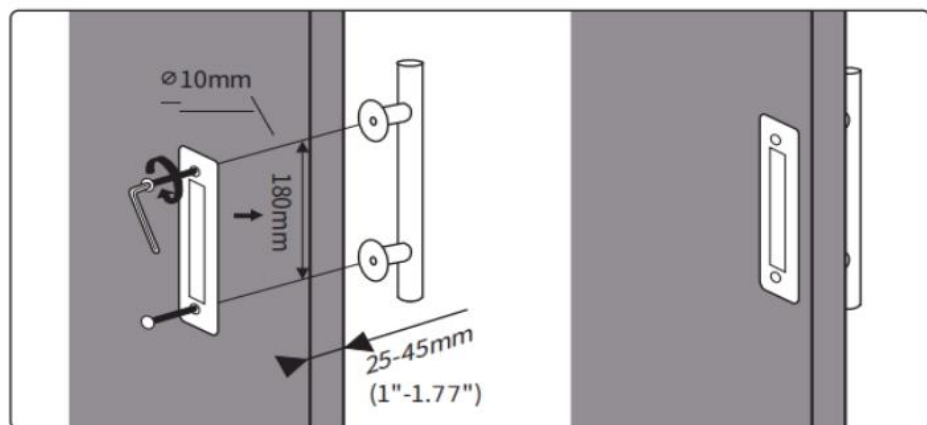
Header Board must be solid wood and measure at least the full length of the track or longer.



Installation steps

Step 1: Drill holes at the desired location.

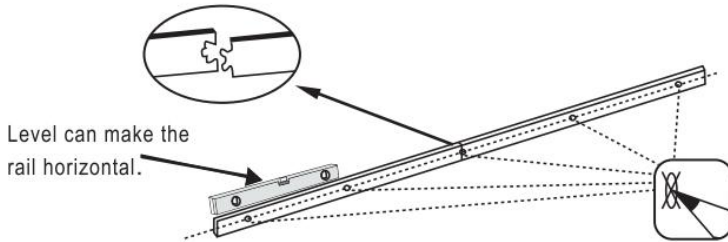
Step 2: Place the pull handle and flush finger pull to the holes (sandwich the door) and use the L wrench and screws to mount the pull handle and the flush.



Tips: Please choose the screws according to the thickness of your door.

01

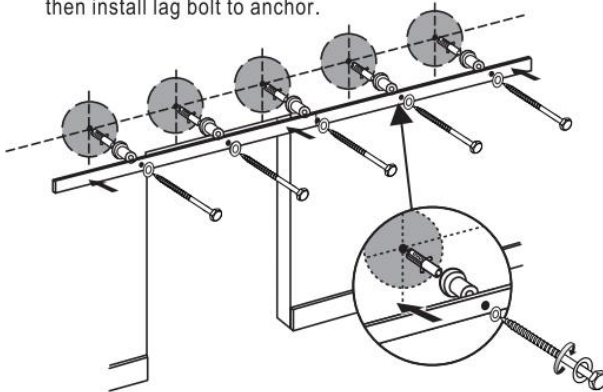
Place the rail against the wall ,and use a pencil to mark whether the holes should be.
 Mark sure the height of holes on the wall is $H + 1\ 11/16''$.

**02**

We provide 2 kinds of screws for you to install rail onto concrete wall or drywall.

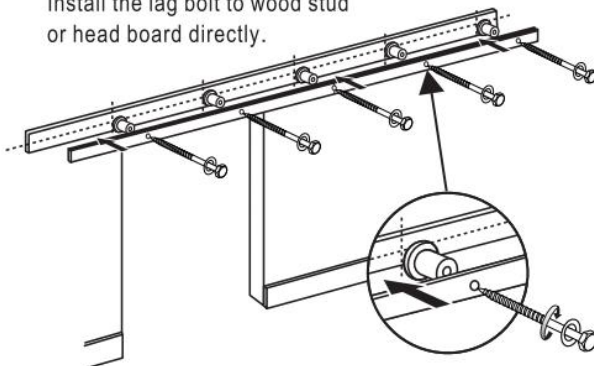
(A) Concrete wall installation.

Install the anchor to holes on the concrete wall first ,
 then install lag bolt to anchor.



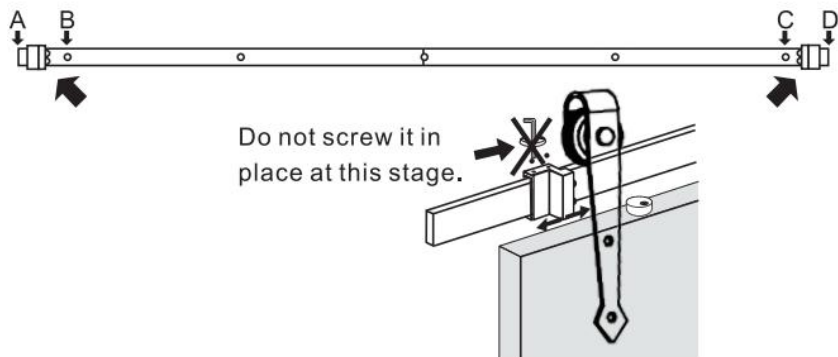
(B) Drywall installation.

Install the lag bolt to wood stud
 or head board directly.

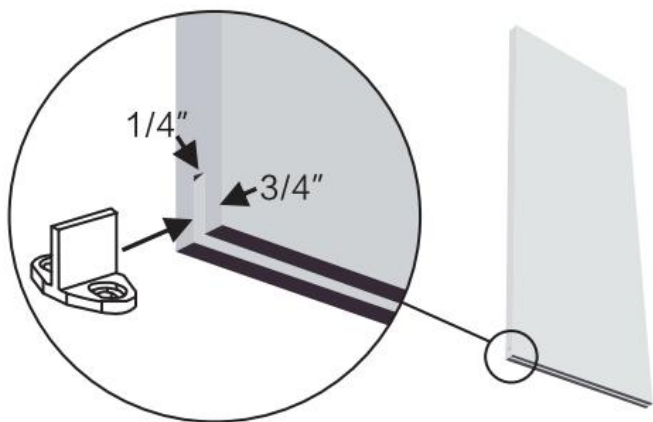


03

Insert door stoppers into rail, install door stoppers between A-B and C-D. Door stopper is used to prevent the hangers coming out of the rail.

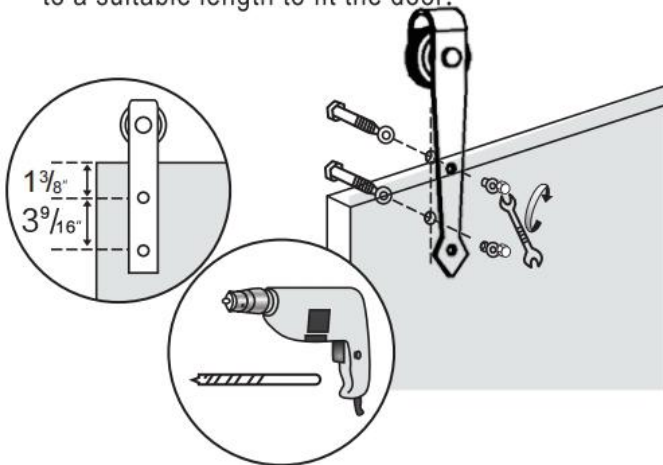
**04**

Use router or circular saw to create a kerf at bottom of the door, along the center to allow the tip of the T-shaped floor guide to fit in between, to keep your door stable and prevent the door bottom swinging back and forth when you slide it open and closed.



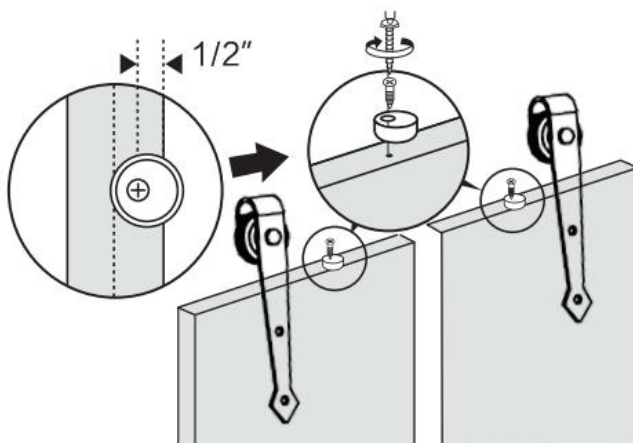
05

Install the hangers onto the door according to the measurement in the pictures below. Maximum door thickness is $1\frac{3}{4}$ " , please add some bolt washers or cut the long door bolts to a suitable length to fit the door.



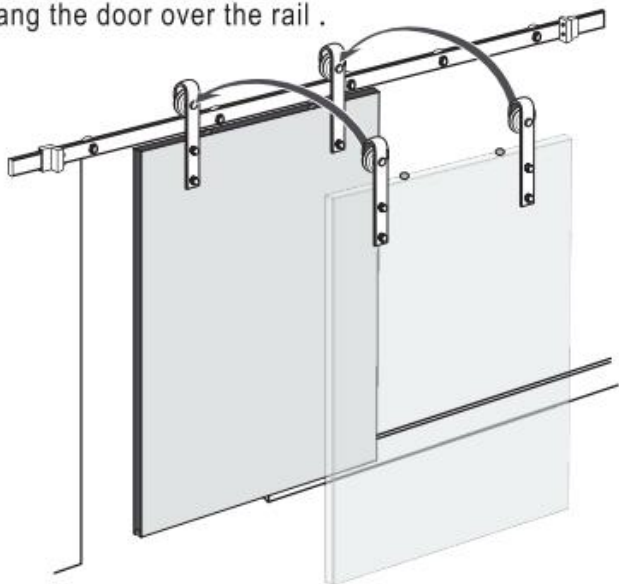
06

The rubber ends are used to protect the door from touching the rail when sliding the door. You need to drill holes on the door top side , please drill the holes $\frac{1}{2}$ away from the edge of the door. Then install the rubber ends on the door.



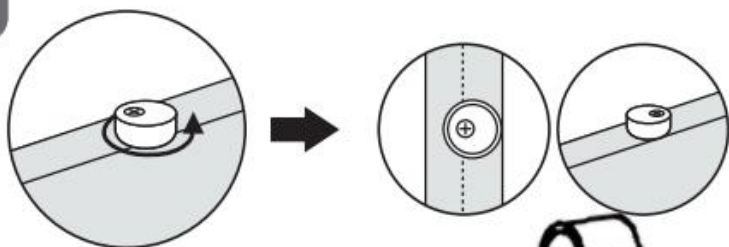
07

Hang the door over the rail .



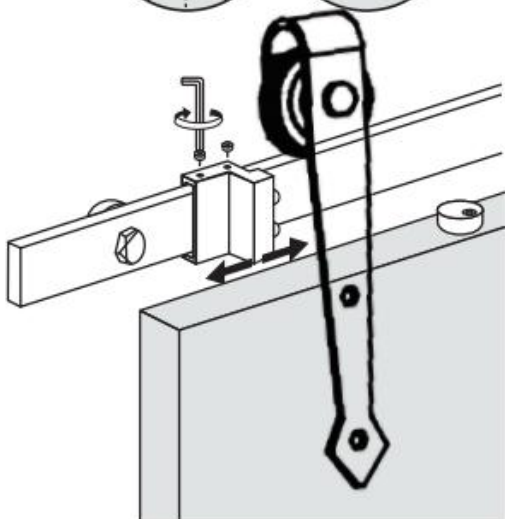
08

Turn the rubber ends approximately 180 degrees so that they are stuck between the door and the rail.



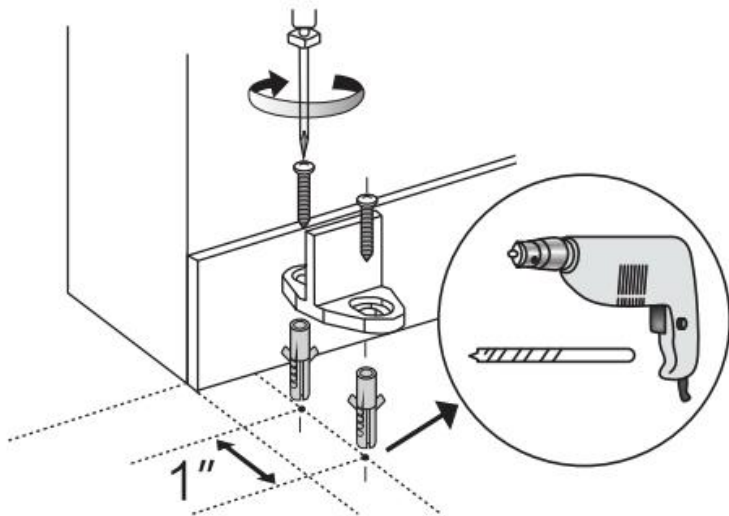
09

Adjust the 2 door stoppers to find a suitable position , use the hex key to screw the door stoppers in place.



10

Install the floor guide. Put floor guide on the floor first to fix a suitable position and make a mark so that the tip of the floor guide can work well in the slot. Use suitable drill bit to drill holes on the floor where the mark is, and then install the floor guide.



	Items	Description
1	Name	Barn door
2	Model	42AK
3	Parameter	Door size: 42x84inch Material: wood

Address: Baoshanqu Shuangchenglu 803long 11hao 1602A-1609shi Shanghai
Imported to AUS: SIHAO PTY LTD. 1 ROKEVA STREETEASTWOOD NSW 2122
Australia

Imported to USA: Sanven Technology Ltd. Suite 250, 9166 Anaheim Place,
Rancho Cucamonga, CA 91730



SHUNSHUN GmbH
Römeräcker 9 Z2021, 76351
Linkenheim-Hochstetten, Germany



Pooledas Group Ltd
Unit 5 Albert Edward House, The
Pavilions Preston, United Kingdom

Made In China

VEVOR[®]
TOUGH TOOLS, HALF PRICE

Technical Support and E-Warranty Certificate
www.vevor.com/support

VEVOR[®]

TOUGH TOOLS, HALF PRICE

Soporte técnico y certificado de garantía electrónica www.vevor.com/support

PUERTA DE GRANERO MANUAL DE USUARIO

We continue to be committed to provide you tools with competitive price.

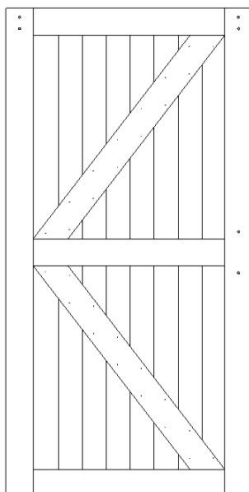
"Save Half", "Half Price" or any other similar expressions used by us only represents an estimate of savings you might benefit from buying certain tools with us compared to the major top brands and does not necessarily mean to cover all categories of tools offered by us. You are kindly reminded to verify carefully when you are placing an order with us if you are actually saving half in comparison with the top major brands.

VEVOR®

TOUGH TOOLS, HALF PRICE

BARN DOOR

MODELO: 42AK



(La imagen es solo de referencia, consulte el objeto real)

NEED HELP? CONTACT US!

Have product questions? Need technical support? Please feel free to contact us:

Technical Support and E-Warranty Certificate
www.vevor.com/support

This is the original instruction, please read all manual instructions carefully before operating. VEVOR reserves a clear interpretation of our user manual. The appearance of the product shall be subject to the product you received. Please forgive us that we won't inform you again if there are any technology or software updates on our product.

SAFETY INSTRUCTION AND PRECAUTIONS



ADVERTENCIA:

Lea este material antes de usar este producto. De lo contrario, se pueden producir lesiones graves.

5. Este producto no es un juguete. No permita que los niños jueguen con este artículo.

6. Úselo únicamente según lo previsto.

7. **Seguridad en el área de trabajo:** Mantenga el lugar de trabajo limpio y brillante. El caos y los lugares oscuros pueden provocar un accidente.

8. Utilice dispositivos de seguridad. Utilice siempre gafas protectoras. Los dispositivos de seguridad, como máscaras contra el polvo en condiciones adecuadas, calzado de seguridad antideslizante, cascos, protección auditiva y otros dispositivos, pueden reducir las lesiones personales.

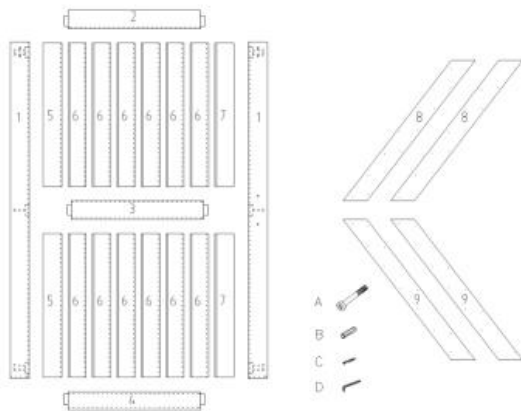
5. Vístete apropiadamente. No use ropa holgada ni use joyas. Mantenga el cabello, la ropa y las mangas alejados de las piezas móviles. Ropa suelta, adornos o pelo largo pueden estar involucrados en las piezas móviles.

OPERATION AS BELOW

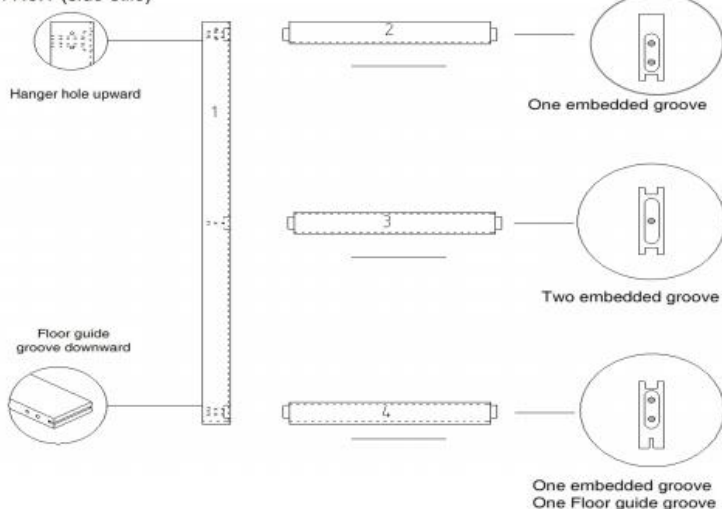
42"x84" Barn Door Installation Instruction

Package List

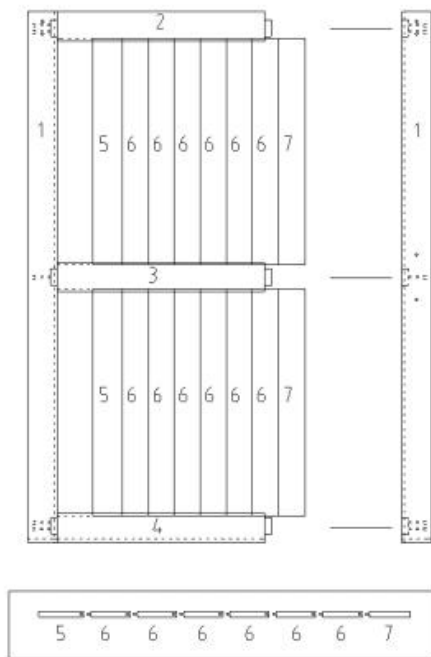
No.	Name	Quantity
1	Side Stile	2
2	Top Rail	1
3	Middle Rail	1
4	Bottom Rail	1
5	Left Side Slat	2
6	Middle Slat	6
7	Right Side Slat	2
8	Diagonal Plank	2
9	Diagonal Plank	2
A	2-3/4" Lag Bolts	10
B	Wood Plug	10
C	13/16" Lag Bolts	56
D	Hexagonal wrench	1



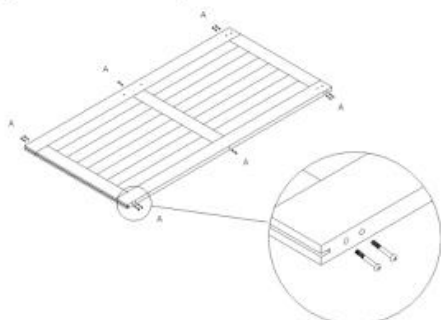
Step 1. Assemble on clean and flat ground, find the No.1 (side stile) and let the grooved side face to the right, find the No.2 (top rail), No.3 (middle rail) , No.4 (bottom rail) to put into the groove of No.1 (side stile)



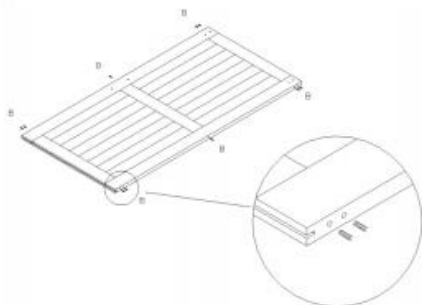
Step 2. Find the 2 pcs of No.5 (left side slat) insert into No.1 (left side stile), then insert 6 pcs of No.6 (middle slat) one by one and insert 2 pcs of No.7 (right side slat) to No.6, finally assemble another No.1 (right side stile)



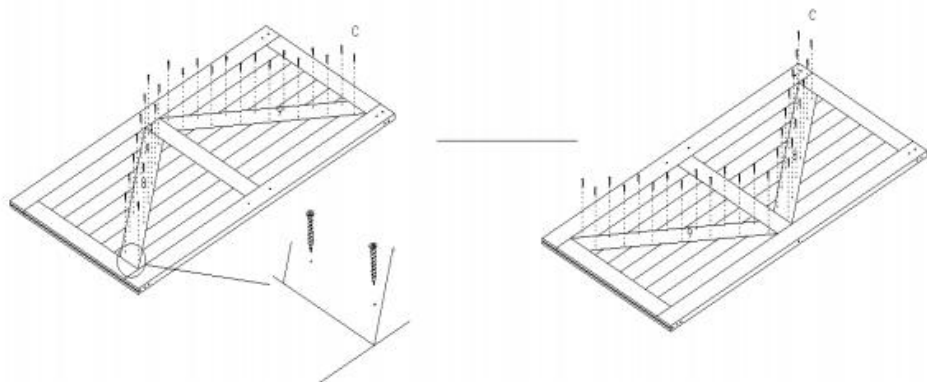
Step 3. Insert the 10 pcs of A (2-3/4" lag bolts) into No. 1 (left side stile and right side stile) and tighten them securely



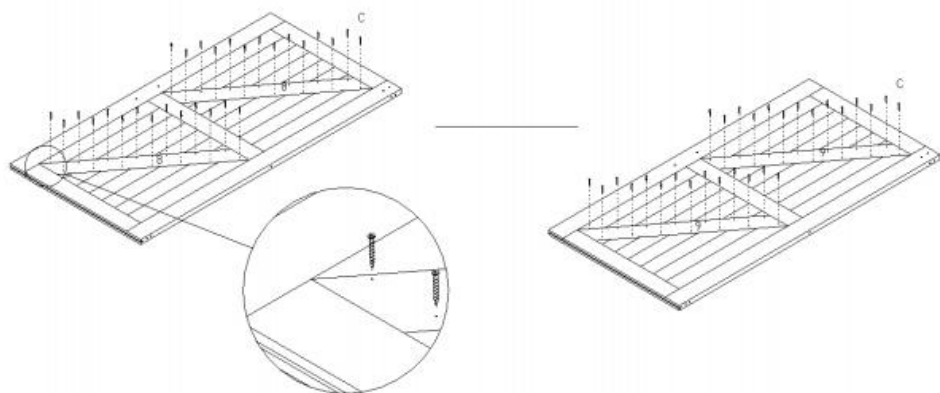
Step 4. Insert the 10 pcs of B (wood plug) into all holes of No. 1 (left side stile and right side stile)



Step 5. Install the No. 8 (diagonal overlay) and No. 9 (diagonal overlay) using C (13/16" lag bolts) on the front of door, then turn the door over, install the other side.



You also install this style



⚠ WARNING

- It is recommended to wear protective equipment during installation and transportation to prevent sprain and bruise.
- If the door is not securely installed, it may cause the door to move or fall apart unexpectedly. Please make sure all the screws are in place and tighten before hanging.
- Please note that body parts (such as hair, fingers, etc.) stuck in the moving parts during installation may cause squeezing and serious injury.
- The door is heavy, we recommend 2 people for this build. Close the door carefully and do not get caught, such as fingers and babies. Improper handling may cause loss of balance and serious injury.

⚠ ABOUT SOLID WOOD DOORS

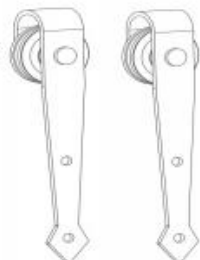
- The slab belongs to natural wood, it is likely to deform and expand slightly when exposed to moisture, it is a normal natural phenomenon, please keep away from the humid environment.
- In the production process we have sanded the edges of the slabs, but it is still possible to get some burrs. You can use the included sandpaper to smooth it, It is not a product defect.
- Natural wood itself contains nodules, which are not adjustable and controllable, It is not a product defect or quality problem
- It is recommended that you paint the slab after installation, which can prevent the door from moisture and scratches, while extending the service life of the product.

Product Content

1.1, 2XRail



2.1, 2XHanger



2.2, 4XLong Door Screw



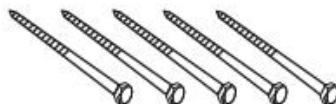
3.1, 5XWall Spacer



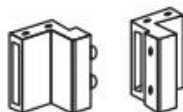
3.2, 5XAnchor
(For concrete wall)



3.3, 5XLag Bolt
(For wood stud)



4.1, 2XDoor Stopper



4.2, 1XHex Key



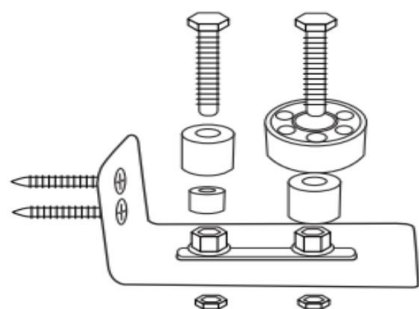
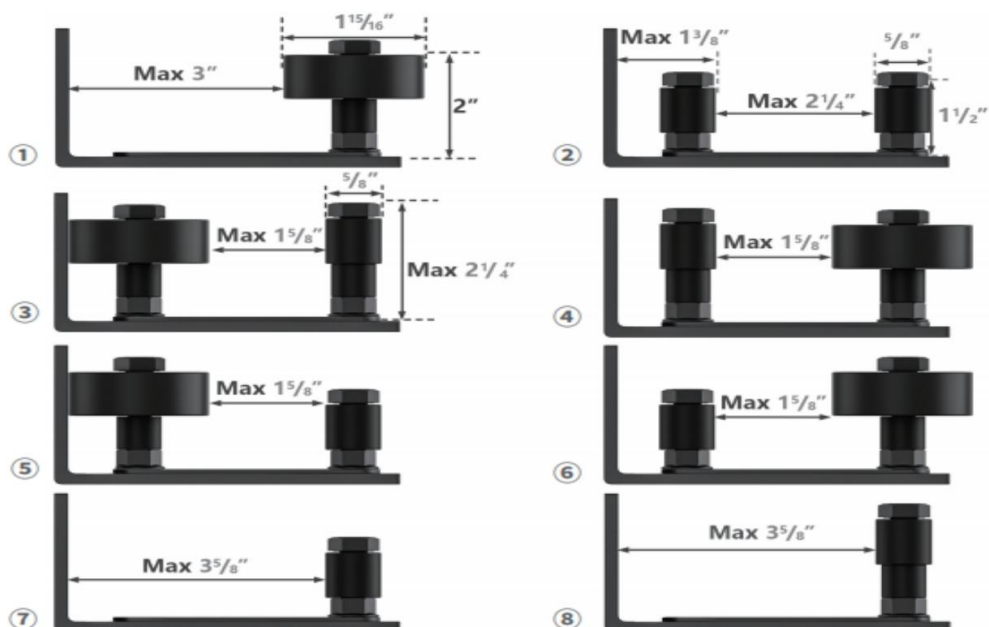
4.3, 2XRubber End



4.4, 1XFloor Guide



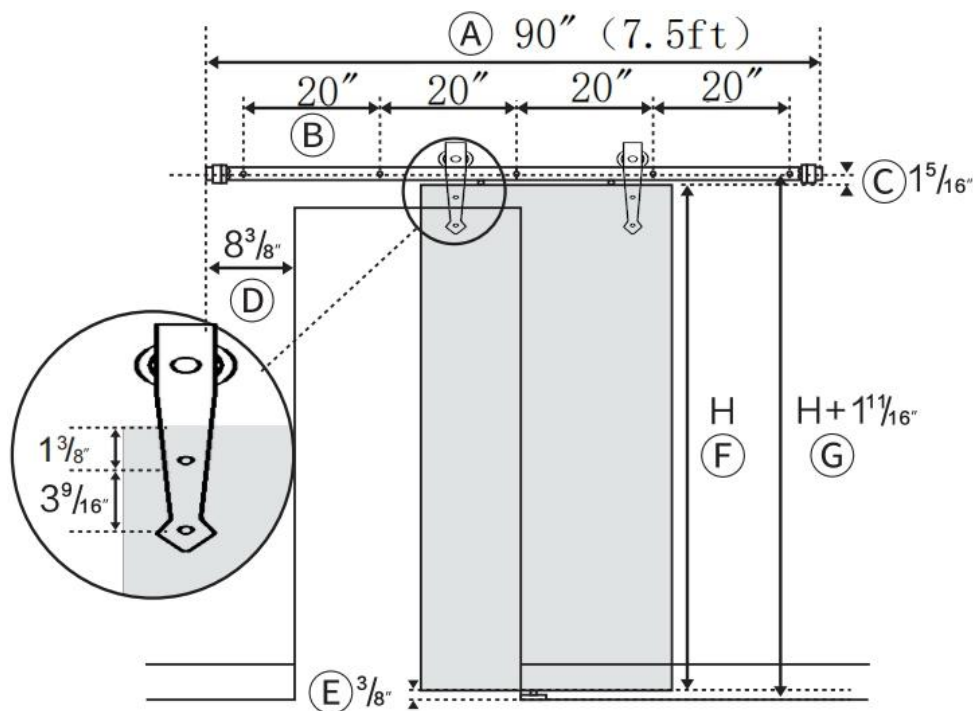
Ground guide rail installation



Notice:

The big roller and 2 small rollers can be separately install/take out from the floor guide. You can freely choose the setups you like to fit your doors. These rollers are UNNECESSARY to always be installed together.

Measurements



A. Over rail length is 90".

B. The gap between each pre-drilled hole is 20".

C. Distance from door top side to holes on the wall is 1 5/16".

D. End of the rail is 8 3/8" away from the entrance of the door.

E. Distance from the bottom of the door is 3/8".

F. Door height is H.

G. The height of holes on the wall is H + 1 1/16".

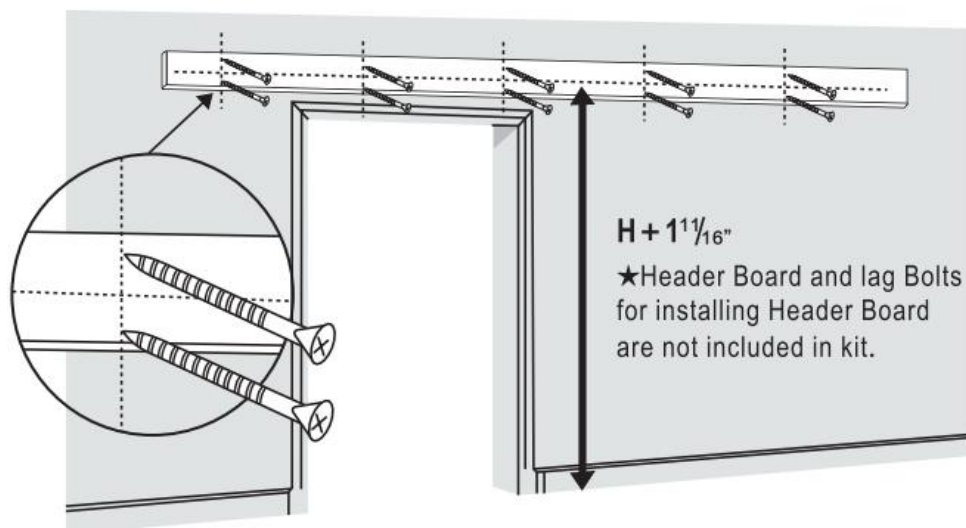
Instructions

It is very important determine whether you will be installing a Header Board prior to installing the track.

Due to many overlapping factors such as the location of wall studs (Our rail come with pre-drilled holes every 16" on center), the weight of a barn door and the various types of trim used in homes , we recommend using a Header Board in all situations.

Please install a 1"x 4" or 1"x 6" Header Board above the door opening directly into studs.

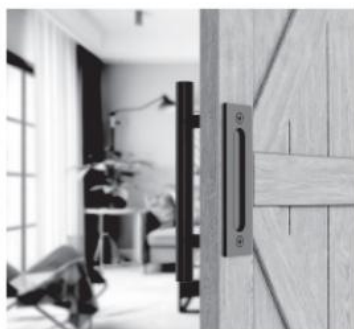
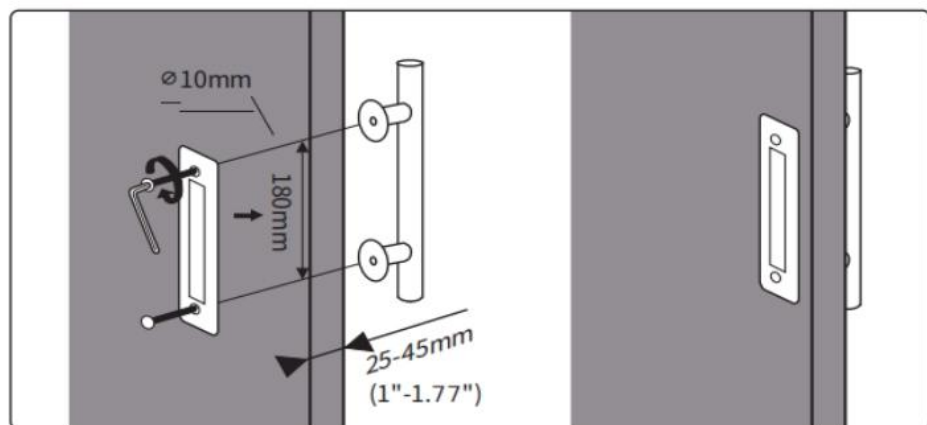
Header Board must be solid wood and measure at least the full length of the track or longer.



Installation steps

Step 1: Drill holes at the desired location.

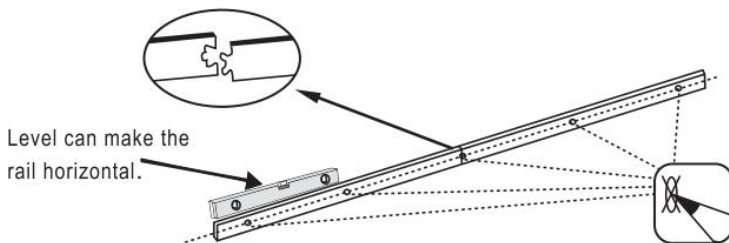
Step 2: Place the pull handle and flush finger pull to the holes (sandwich the door) and use the L wrench and screws to mount the pull handle and the flush.



Tips: Please choose the screws according to the thickness of your door.

01

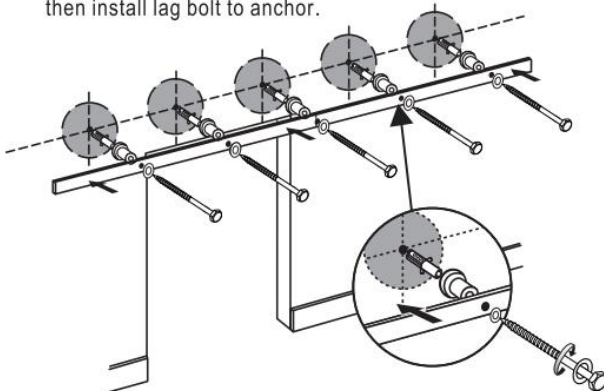
Place the rail against the wall, and use a pencil to mark whether the holes should be.
Mark sure the height of holes on the wall is $H + 1\ 11/16''$.

**02**

We provide 2 kinds of screws for you to install rail onto concrete wall or drywall.

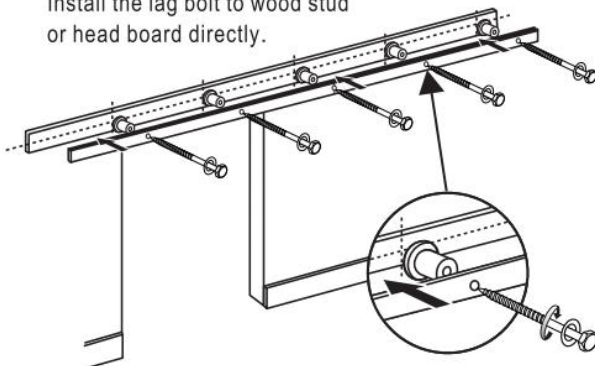
(A) Concrete wall installation.

Install the anchor to holes on the concrete wall first, then install lag bolt to anchor.



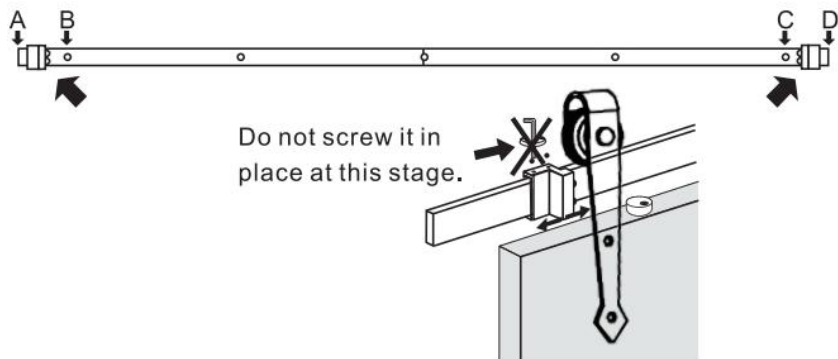
(B) Drywall installation.

Install the lag bolt to wood stud or head board directly.

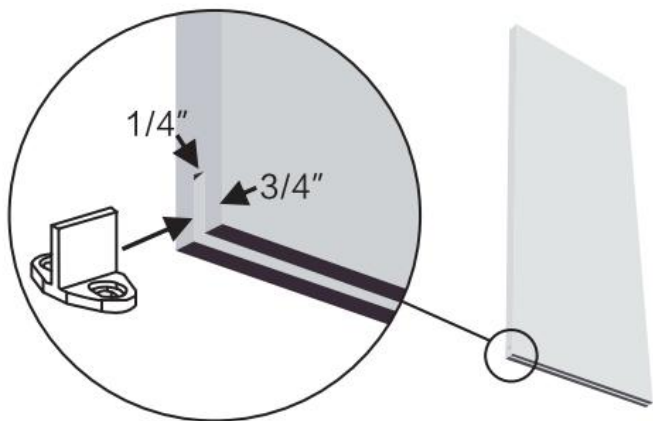


03

Insert door stoppers into rail ,install door stoppers between A-B and C-D. Door stopper is used to prevent the hangers coming out of the rail.

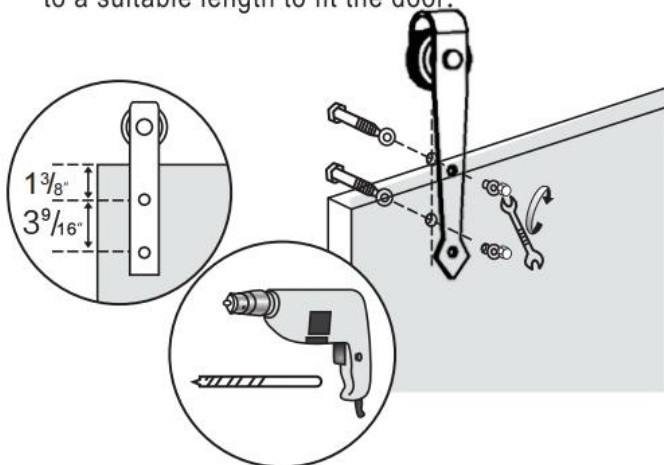
**04**

Use router or circular saw to create a kerf at bottom of the door, along the center to allow the tip of the T-shaped floor guide to fit in between, to keep your door stable and prevent the door bottom swinging back and forth when you slide it open and closed.



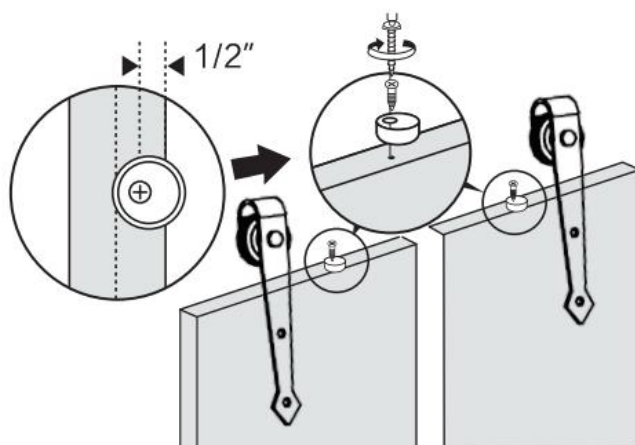
05

Install the hangers onto the door according to the measurement in the pictures below. Maximum door thickness is 1 3/4", please add some bolt washers or cut the long door bolts to a suitable length to fit the door.



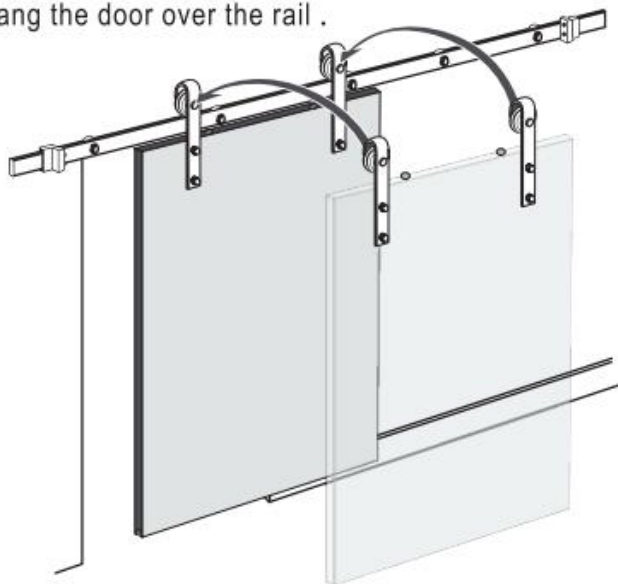
06

The rubber ends are used to protect the door from touching the rail when sliding the door. You need to drill holes on the door top side, please drill the holes 1/2" away from the edge of the door. Then install the rubber ends on the door.

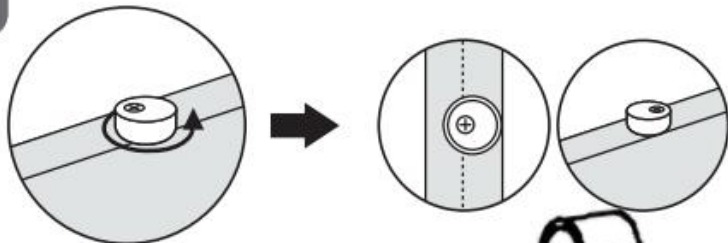


07

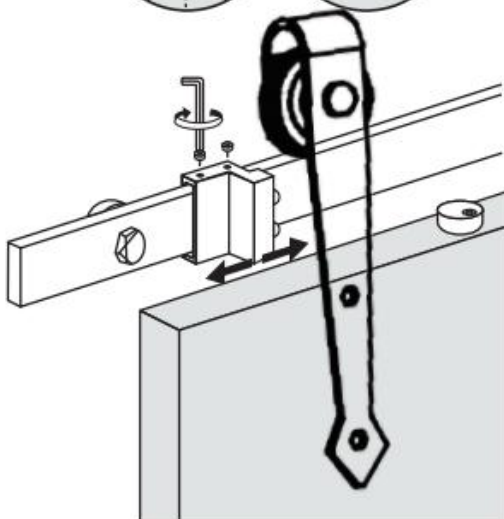
Hang the door over the rail .

**08**

Turn the rubber ends approximately 180 degrees so that they are stuck between the door and the rail.

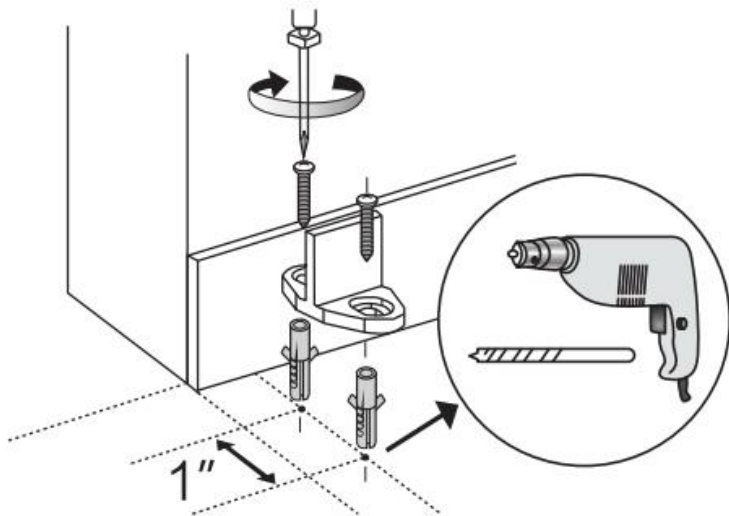
**09**

Adjust the 2 door stoppers to find a suitable position , use the hex key to screw the door stoppers in place.



10

Install the floor guide. Put floor guide on the floor first to fix a suitable position and make a mark so that the tip of the floor guide can work well in the slot. Use suitable drill bit to drill holes on the floor where the mark is, and then install the floor guide.



	Elementos	Descripción
1	Nombre	Puerta de granero
2	Modelo	42AK
3	Parámetro	Tamaño de la puerta: 42x84 pulgadas Material: madera

Dirección: Baoshanqu Shuangchenglu 803long 11hao 1602A-1609shi Shanghai
Importado a AUS: SIHAO PTY LTD. 1 ROKEVA STREETASTWOOD NSW 2122
Australia

Importado a EE. UU.: Sanven Technology Ltd. Suite 250, 9166 Anaheim Place,
Rancho Cucamonga, CA 91730



SHUNSHUN GmbH
Römeräcker 9 Z2021, 76351
Linkenheim-Hochstetten, Germany



Pooledas Group Ltd
Unit 5 Albert Edward House, The
Pavilions Preston, United Kingdom

Hecho en china

VEVOR[®]

TOUGH TOOLS, HALF PRICE

Soporte técnico y certificado de garantía electrónica

www.vevor.com/support

VEVOR[®]

TOUGH TOOLS, HALF PRICE

Supporto tecnico e certificato di garanzia elettronica www.vevor.com/support

PORTA DELLA STALLA MANUALE D'USO

We continue to be committed to provide you tools with competitive price.

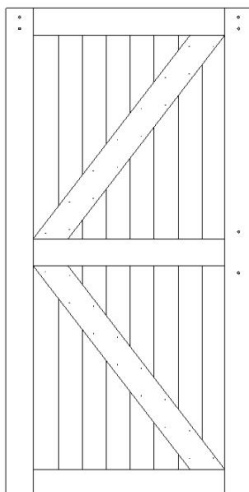
"Save Half", "Half Price" or any other similar expressions used by us only represents an estimate of savings you might benefit from buying certain tools with us compared to the major top brands and does not necessarily mean to cover all categories of tools offered by us. You are kindly reminded to verify carefully when you are placing an order with us if you are actually saving half in comparison with the top major brands.

VEVOR®

TOUGH TOOLS, HALF PRICE

BARN DOOR

MODELLO: 42AK



(L'immagine è solo di riferimento, fare riferimento all'oggetto reale)

NEED HELP? CONTACT US!

Have product questions? Need technical support? Please feel free to contact us:

Technical Support and E-Warranty Certificate
www.vevor.com/support

This is the original instruction, please read all manual instructions carefully before operating. VEVOR reserves a clear interpretation of our user manual. The appearance of the product shall be subject to the product you received. Please forgive us that we won't inform you again if there are any technology or software updates on our product.

SAFETY INSTRUCTION AND PRECAUTIONS



AVVERTIMENTO:

Leggere questo materiale prima di utilizzare questo prodotto. In caso contrario si potrebbero causare lesioni gravi.

9. Questo prodotto non è un giocattolo. Non permettere ai bambini di giocare con questo oggetto.

10. Utilizzare solo come previsto.

11. **Sicurezza dell'area di lavoro:** mantenere il luogo di lavoro pulito e luminoso. Il caos e i luoghi bui possono causare incidenti.

12. Utilizzare dispositivi di sicurezza. Indossa sempre gli occhiali. I dispositivi di sicurezza, come maschere antipolvere in condizioni adeguate, scarpe di sicurezza antiscivolo, caschi, protezioni per l'udito e altri dispositivi possono ridurre le lesioni personali.

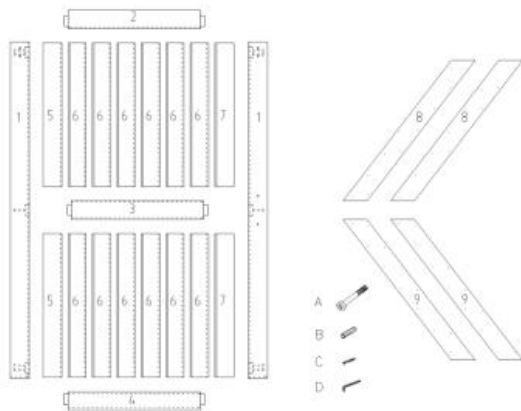
5. Vestirsi adeguatamente. Non indossare abiti larghi né indossare gioielli. Tenere i capelli, i vestiti e le maniche lontani dalle parti in movimento. Abiti larghi, ornamenti o capelli lunghi potrebbero essere coinvolti nelle parti in movimento.

OPERATION AS BELOW

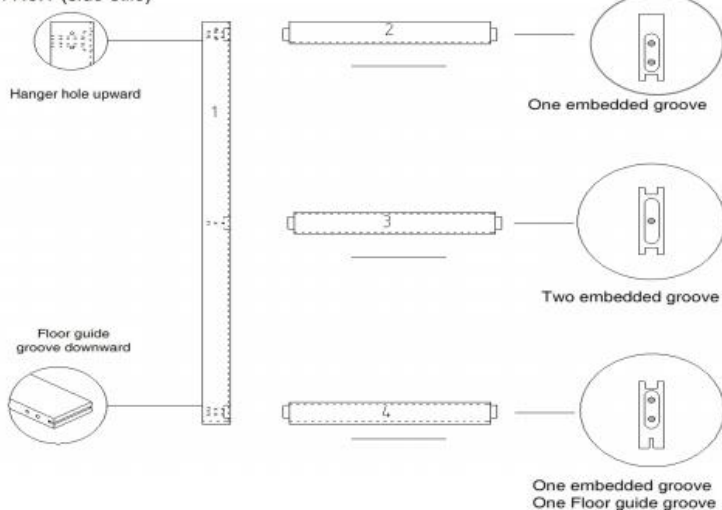
42"x84" Barn Door Installation Instruction

Package List

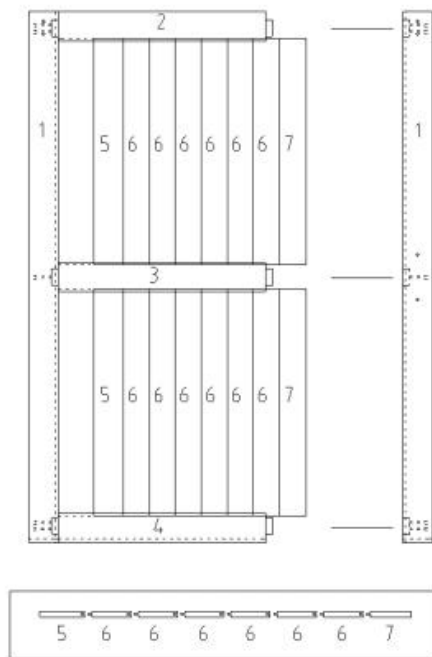
No.	Name	Quantity
1	Side Stile	2
2	Top Rail	1
3	Middle Rail	1
4	Bottom Rail	1
5	Left Side Slat	2
6	Middle Slat	6
7	Right Side Slat	2
8	Diagonal Plank	2
9	Diagonal Plank	2
A	2-3/4" Lag Bolts	10
B	Wood Plug	10
C	13/16" Lag Bolts	56
D	Hexagonal wrench	1



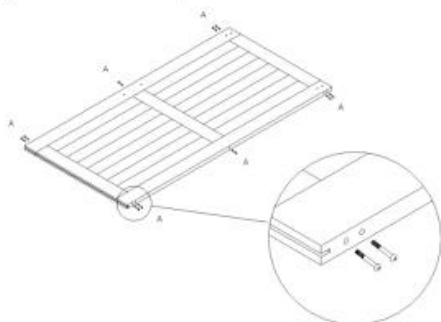
Step 1. Assemble on clean and flat ground, find the No.1 (side stile) and let the grooved side face to the right, find the No.2 (top rail), No.3 (middle rail), No.4 (bottom rail) to put into the groove of No.1 (side stile)



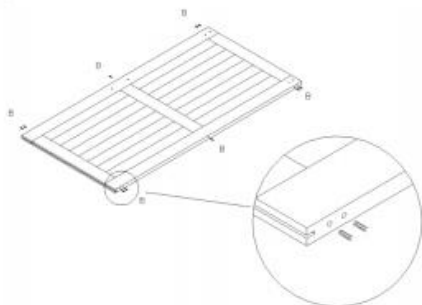
Step 2. Find the 2 pcs of No.5 (left side slat) insert into No.1 (left side stile), then insert 6 pcs of No.6 (middle slat) one by one and insert 2 pcs of No.7 (right side slat) to No.6, finally assemble another No.1 (right side stile)



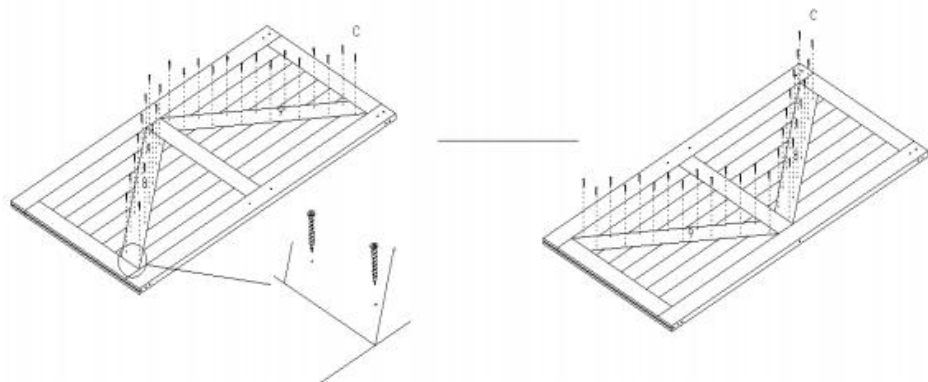
Step 3. Insert the 10 pcs of A (2-3/4" lag bolts) into No. 1 (left side stile and right side stile) and tighten them securely



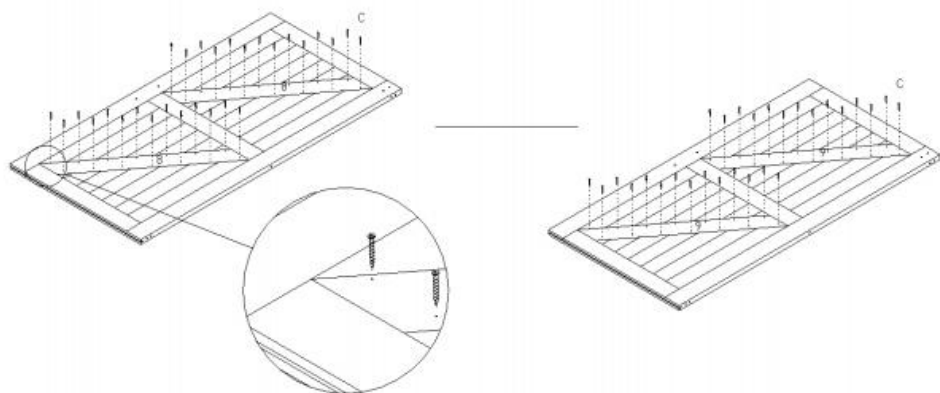
Step 4. Insert the 10 pcs of B (wood plug) into all holes of No. 1 (left side stile and right side stile)



Step 5. Install the No. 8 (diagonal overlay) and No. 9 (diagonal overlay) using C (13/16" lag bolts) on the front of door, then turn the door over, install the other side.



You also install this style



⚠ WARNING

- It is recommended to wear protective equipment during installation and transportation to prevent sprain and bruise.
- If the door is not securely installed, it may cause the door to move or fall apart unexpectedly. Please make sure all the screws are in place and tighten before hanging.
- Please note that body parts (such as hair, fingers, etc.) stuck in the moving parts during installation may cause squeezing and serious injury.
- The door is heavy, we recommend 2 people for this build. Close the door carefully and do not get caught, such as fingers and babies. Improper handling may cause loss of balance and serious injury.

⚠ ABOUT SOLID WOOD DOORS

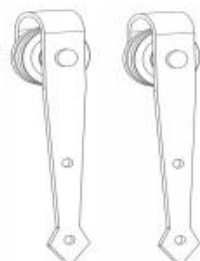
- The slab belongs to natural wood, it is likely to deform and expand slightly when exposed to moisture, it is a normal natural phenomenon, please keep away from the humid environment.
- In the production process we have sanded the edges of the slabs, but it is still possible to get some burrs. You can use the included sandpaper to smooth it, It is not a product defect.
- Natural wood itself contains nodules, which are not adjustable and controllable, It is not a product defect or quality problem
- It is recommended that you paint the slab after installation, which can prevent the door from moisture and scratches, while extending the service life of the product.

Product Content

1.1, 2XRail



2.1, 2XHanger



2.2, 4XLong Door Screw



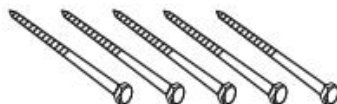
3.1, 5XWall Spacer



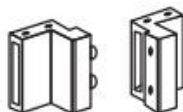
3.2, 5XAnchor
(For concrete wall)



3.3, 5XLag Bolt
(For wood stud)



4.1, 2XDoor Stopper



4.2, 1XHex Key



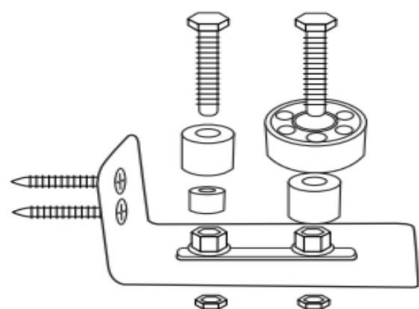
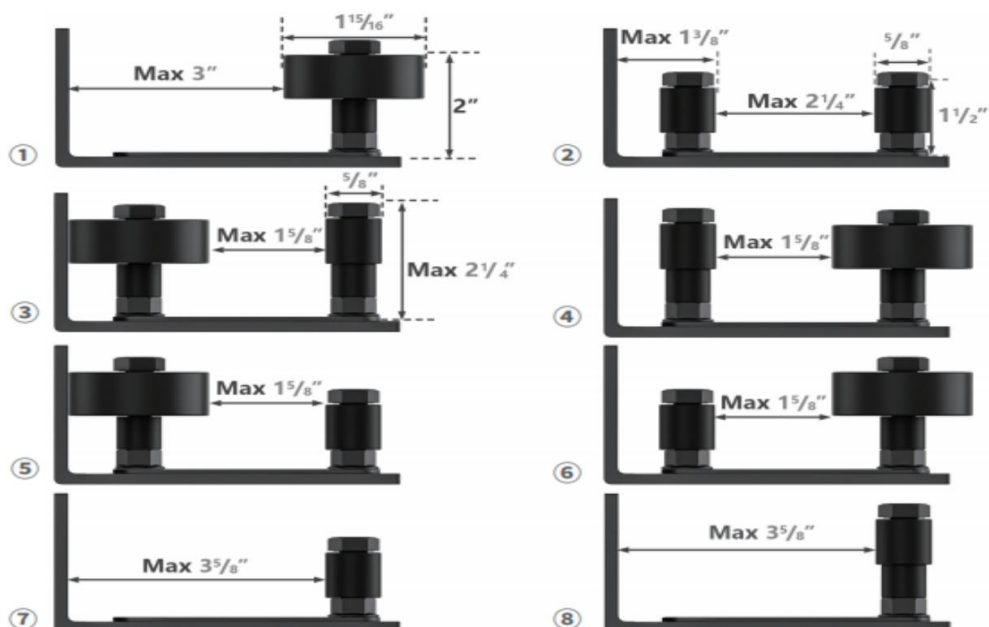
4.3, 2XRubber End



4.4, 1XFloor Guide



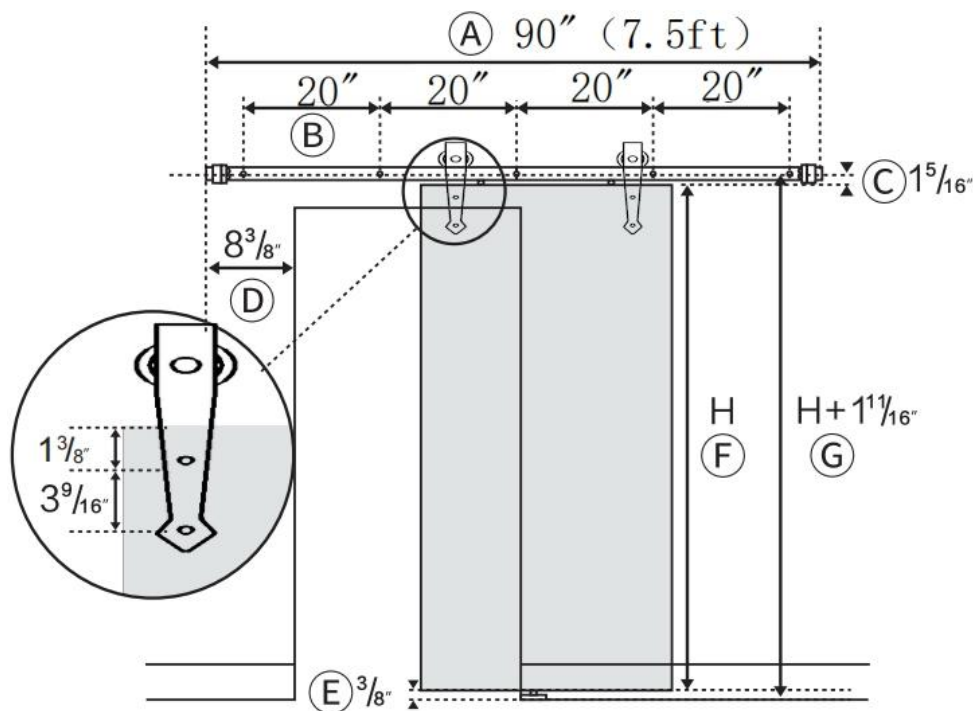
Ground guide rail installation



Notice:

The big roller and 2 small rollers can be separately install/take out from the floor guide. You can freely choose the setups you like to fit your doors. These rollers are UNNECESSARY to always be installed together.

Measurements



A. Over rail length is 90".

B. The gap between each pre-drilled hole is 20".

C. Distance from door top side to holes on the wall is 1 5/16".

D. End of the rail is 8 3/8" away from the entrance of the door.

E. Distance from the bottom of the door is 3/8".

F. Door height is H.

G. The height of holes on the wall is H + 1 1/16".

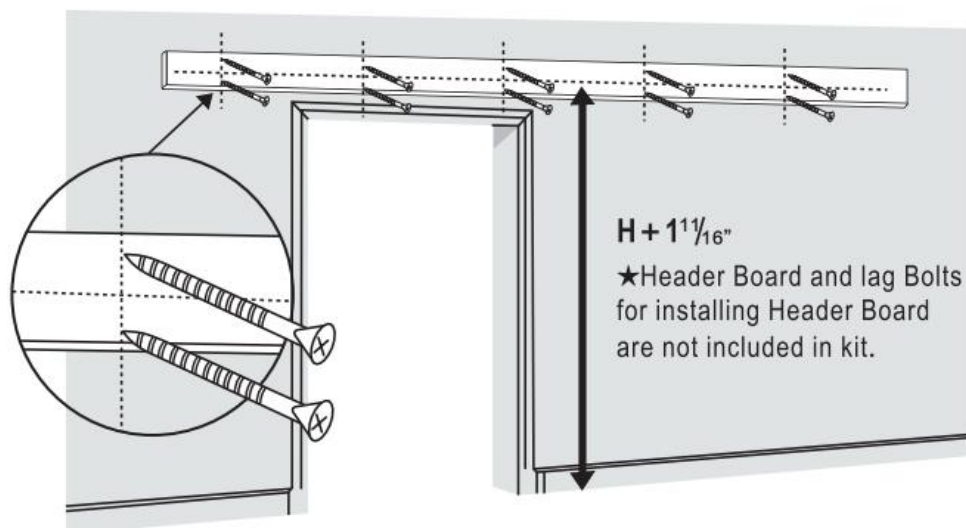
Instructions

It is very important determine whether you will be installing a Header Board prior to installing the track.

Due to many overlapping factors such as the location of wall studs (Our rail come with pre-drilled holes every 16" on center), the weight of a barn door and the various types of trim used in homes , we recommend using a Header Board in all situations.

Please install a 1"x 4" or 1"x 6" Header Board above the door opening directly into studs.

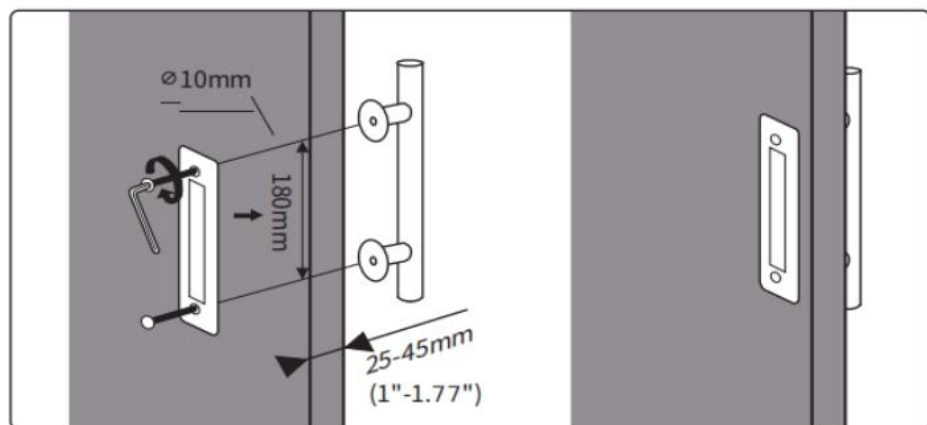
Header Board must be solid wood and measure at least the full length of the track or longer.



Installation steps

Step 1: Drill holes at the desired location.

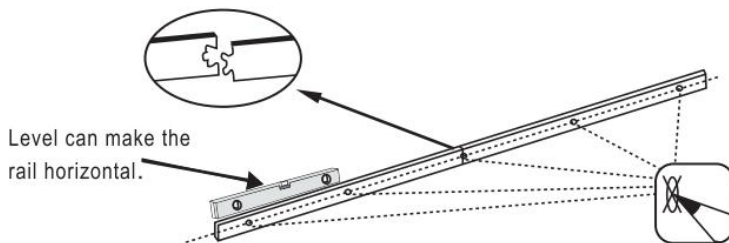
Step 2: Place the pull handle and flush finger pull to the holes (sandwich the door) and use the L wrench and screws to mount the pull handle and the flush.



Tips: Please choose the screws according to the thickness of your door.

01

Place the rail against the wall ,and use a pencil to mark whether the holes should be.
Mark sure the height of holes on the wall is $H + 1 \frac{11}{16}''$.

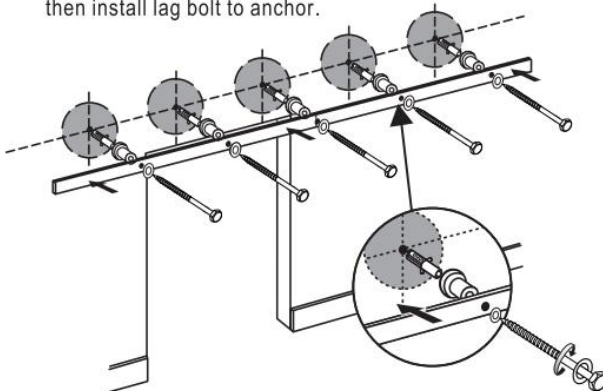


02

We provide 2 kinds of screws for you to install rail onto concrete wall or drywall.

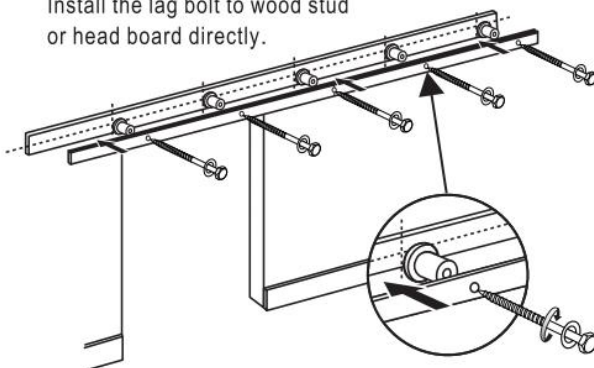
(A) Concrete wall installation.

Install the anchor to holes on the concrete wall first ,
then install lag bolt to anchor.



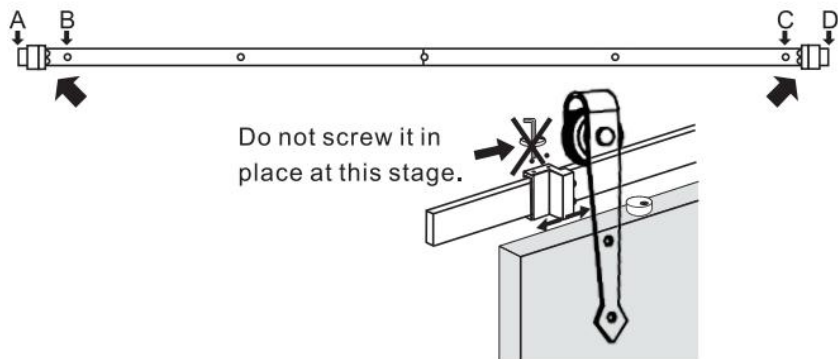
(B) Drywall installation.

Install the lag bolt to wood stud
or head board directly.

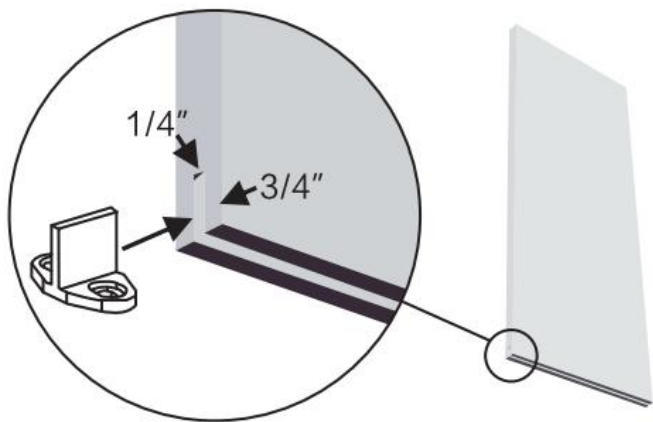


03

Insert door stoppers into rail, install door stoppers between A-B and C-D. Door stopper is used to prevent the hangers coming out of the rail.

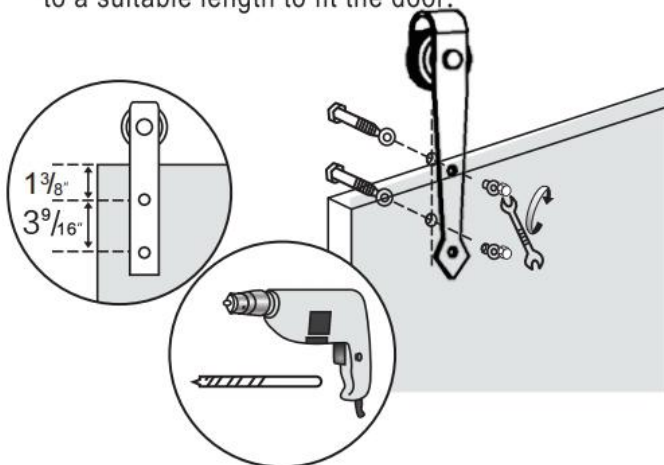
**04**

Use router or circular saw to create a kerf at bottom of the door, along the center to allow the tip of the T-shaped floor guide to fit in between, to keep your door stable and prevent the door bottom swinging back and forth when you slide it open and closed.



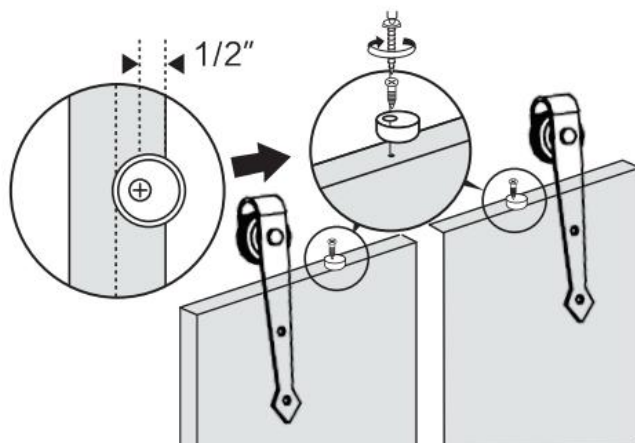
05

Install the hangers onto the door according to the measurement in the pictures below. Maximum door thickness is $1\frac{3}{4}$ " , please add some bolt washers or cut the long door bolts to a suitable length to fit the door.



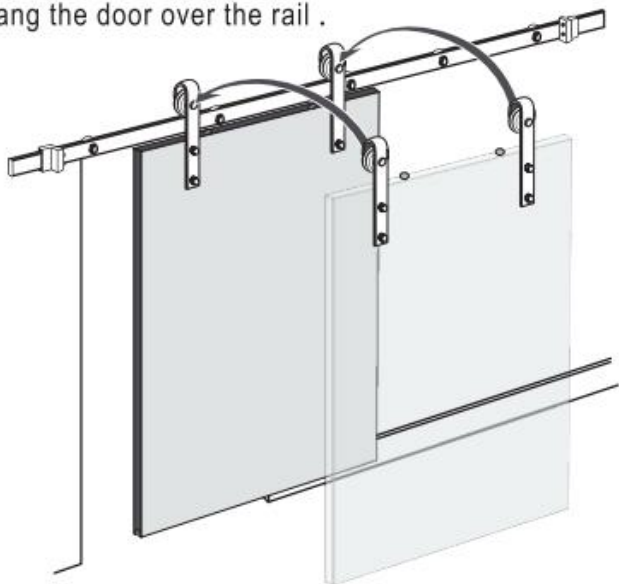
06

The rubber ends are used to protect the door from touching the rail when sliding the door. You need to drill holes on the door top side , please drill the holes $\frac{1}{2}$ away from the edge of the door. Then install the rubber ends on the door.

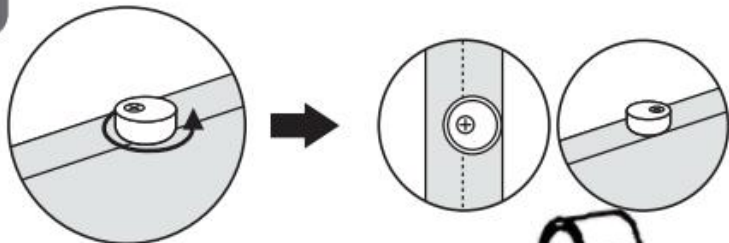


07

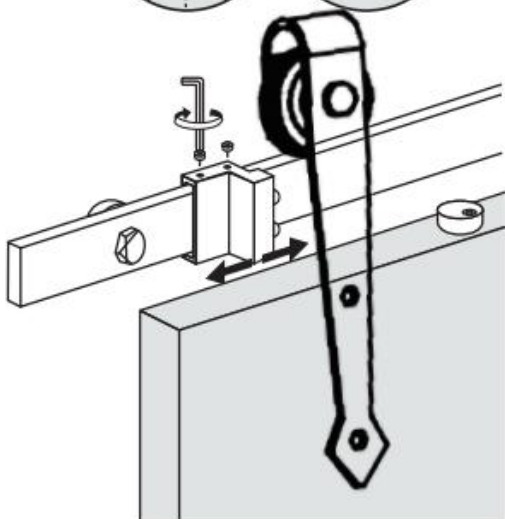
Hang the door over the rail .

**08**

Turn the rubber ends approximately 180 degrees so that they are stuck between the door and the rail.

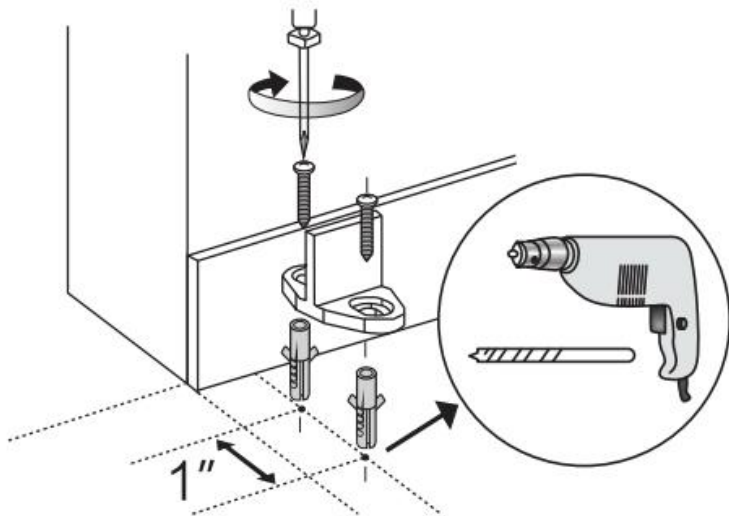
**09**

Adjust the 2 door stoppers to find a suitable position , use the hex key to screw the door stoppers in place.



10

Install the floor guide. Put floor guide on the floor first to fix a suitable position and make a mark so that the tip of the floor guide can work well in the slot. Use suitable drill bit to drill holes on the floor where the mark is, and then install the floor guide.



	Elementi	Descrizione
1	Nome	Porta della stalla
2	Modello	42AK
3	Parametro	Dimensioni della porta: 42x84 pollici. Materiale: legno

Indirizzo: Baoshanqu Shuangchenglu 803long 11hao 1602A-1609shi Shanghai

Importato in AUS: SIHAO PTY LTD. 1 ROKEVA STREETEASTWOOD NSW
2122 Australia

Importato negli Stati Uniti: Sanven Technology Ltd. Suite 250, 9166 Anaheim
Place, Rancho Cucamonga, CA 91730



SHUNSHUN GmbH
Römeräcker 9 Z2021, 76351
Linkenheim-Hochstetten, Germany



Pooledas Group Ltd
Unit 5 Albert Edward House, The
Pavilions Preston, United Kingdom

Made in China

VEVOR[®]

TOUGH TOOLS, HALF PRICE

Supporto tecnico e certificato di garanzia elettronica

www.vevor.com/support

VEVOR®

TOUGH TOOLS, HALF PRICE

Wsparcie techniczne i certyfikat e-gwarancji www.vevor.com/support

DRZWI DO STODOŁY INSTRUKCJA OBSŁUGI

We continue to be committed to provide you tools with competitive price.

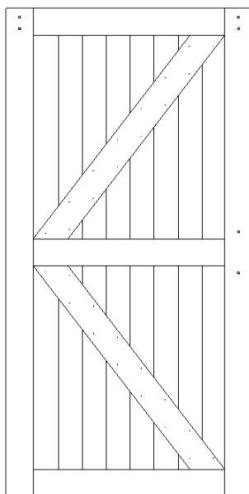
"Save Half", "Half Price" or any other similar expressions used by us only represents an estimate of savings you might benefit from buying certain tools with us compared to the major top brands and does not necessarily mean to cover all categories of tools offered by us. You are kindly reminded to verify carefully when you are placing an order with us if you are actually saving half in comparison with the top major brands.

VEVOR®

TOUGH TOOLS, HALF PRICE

BARN DOOR

MODEL: 42AK



(Zdjęcie ma wyłącznie charakter poglądowy, proszę zapoznać się z rzeczywistym obiektem)

NEED HELP? CONTACT US!

Have product questions? Need technical support? Please feel free to contact us:

Technical Support and E-Warranty Certificate
www.vevor.com/support

This is the original instruction, please read all manual instructions carefully before operating. VEVOR reserves a clear interpretation of our user manual. The appearance of the product shall be subject to the product you received. Please forgive us that we won't inform you again if there are any technology or software updates on our product.

SAFETY INSTRUCTION AND PRECAUTIONS



OSTRZEŻENIE:

Przeczytaj ten materiał przed użyciem tego produktu. Niezastosowanie się do tego może spowodować poważne obrażenia.

13. Ten produkt nie jest zabawką. Nie pozwalaj dzieciom bawić się tym przedmiotem.

14. Używaj wyłącznie zgodnie z przeznaczeniem.

15. **Bezpieczeństwo w miejscu pracy:** Utrzymuj miejsce pracy w czystości i jasności. Chaos i ciemne miejsca mogą być przyczyną wypadku.

16. Używaj urządzeń zabezpieczających. Zawsze noś okulary. Urządzenia zabezpieczające, takie jak maski przeciwpyłowe stosowane w odpowiednich warunkach, antypoślizgowe obuwie

ochronne, kaski, ochronniki słuchu i inne urządzenia mogą zmniejszyć obrażenia ciała.

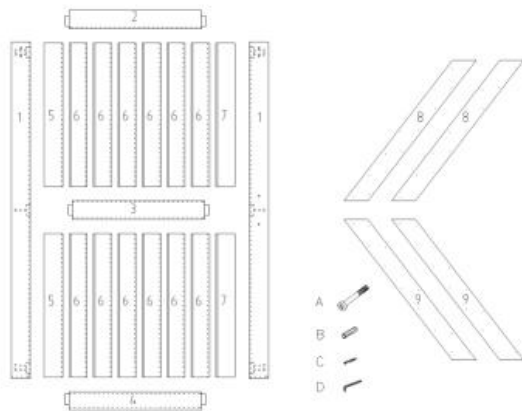
5. Ubierz się odpowiednio. Nie noś luźnej odzieży ani biżuterii. Trzymaj włosy, ubranie i rękawy z dala od ruchomych części. Luźne ubrania, ozdoby lub długie włosy mogą znajdować się w ruchomych częściach.

OPERATION AS BELOW

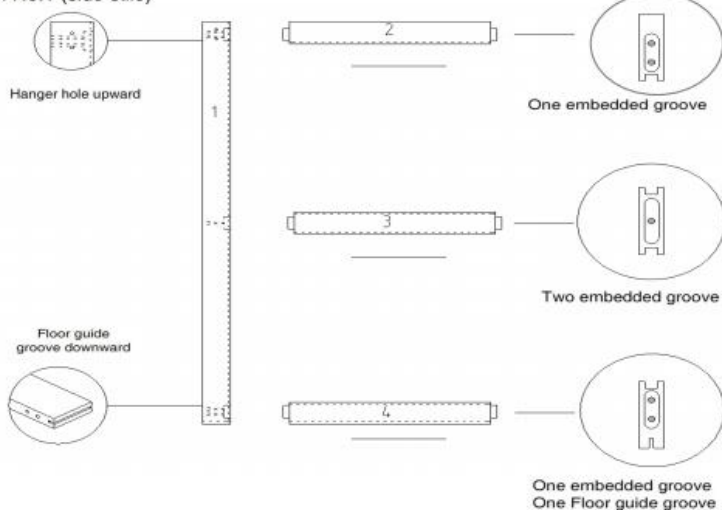
42"x84" Barn Door Installation Instruction

Package List

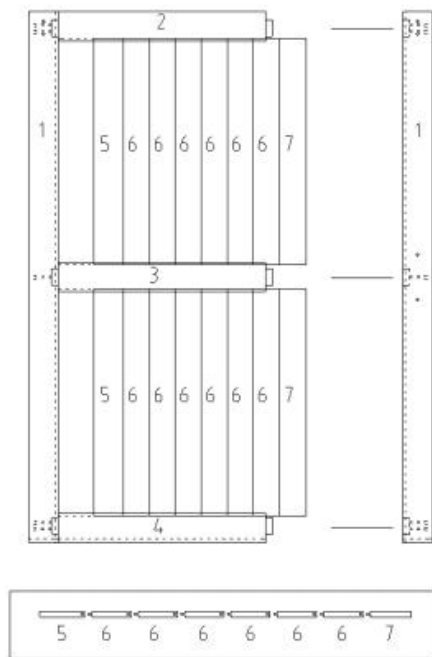
No.	Name	Quantity
1	Side Stile	2
2	Top Rail	1
3	Middle Rail	1
4	Bottom Rail	1
5	Left Side Slat	2
6	Middle Slat	6
7	Right Side Slat	2
8	Diagonal Plank	2
9	Diagonal Plank	2
A	2-3/4" Lag Bolts	10
B	Wood Plug	10
C	13/16" Lag Bolts	56
D	Hexagonal wrench	1



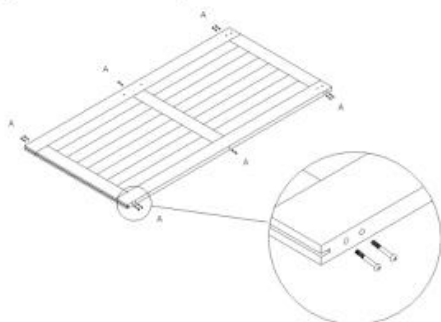
Step 1. Assemble on clean and flat ground, find the No.1 (side stile) and let the grooved side face to the right, find the No.2 (top rail), No.3 (middle rail), No.4 (bottom rail) to put into the groove of No.1 (side stile)



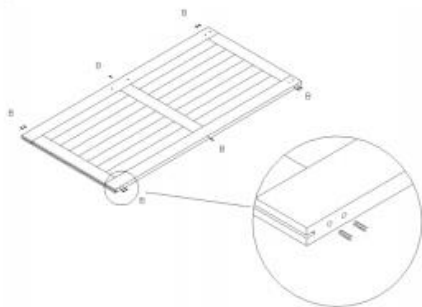
Step 2. Find the 2 pcs of No.5 (left side slat) insert into No.1 (left side stile), then insert 6 pcs of No.6 (middle slat) one by one and insert 2 pcs of No.7 (right side slat) to No.6, finally assemble another No.1 (right side stile)



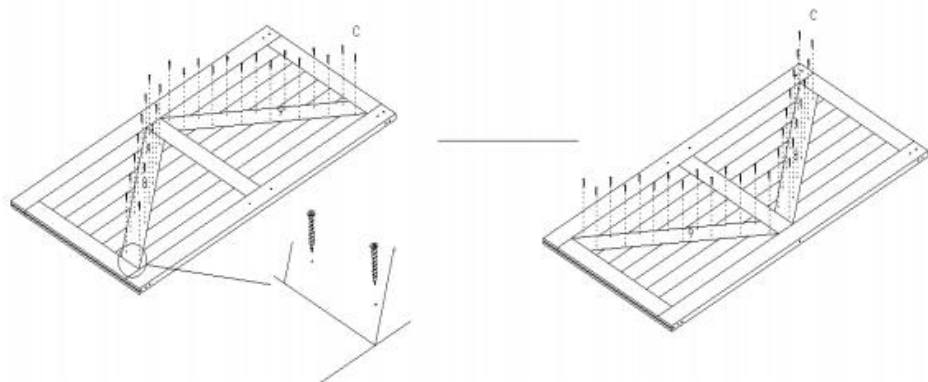
Step 3. Insert the 10 pcs of A (2-3/4" lag bolts) into No. 1 (left side stile and right side stile) and tighten them securely



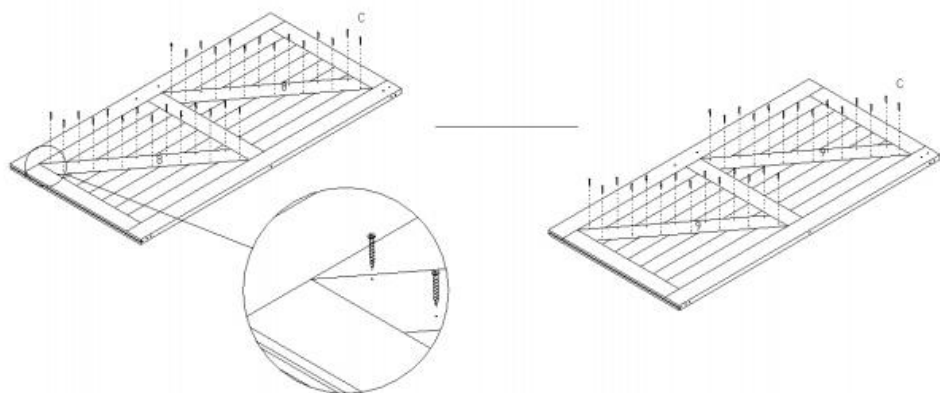
Step 4. Insert the 10 pcs of B (wood plug) into all holes of No. 1 (left side stile and right side stile)



Step 5. Install the No. 8 (diagonal overlay) and No. 9 (diagonal overlay) using C (13/16" lag bolts) on the front of door, then turn the door over, install the other side.



You also install this style



⚠ WARNING

- It is recommended to wear protective equipment during installation and transportation to prevent sprain and bruise.
- If the door is not securely installed, it may cause the door to move or fall apart unexpectedly. Please make sure all the screws are in place and tighten before hanging.
- Please note that body parts (such as hair, fingers, etc.) stuck in the moving parts during installation may cause squeezing and serious injury.
- The door is heavy, we recommend 2 people for this build. Close the door carefully and do not get caught, such as fingers and babies. Improper handling may cause loss of balance and serious injury.

⚠ ABOUT SOLID WOOD DOORS

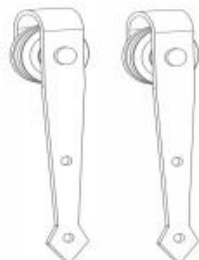
- The slab belongs to natural wood, it is likely to deform and expand slightly when exposed to moisture, it is a normal natural phenomenon, please keep away from the humid environment.
- In the production process we have sanded the edges of the slabs, but it is still possible to get some burrs. You can use the included sandpaper to smooth it, It is not a product defect.
- Natural wood itself contains nodules, which are not adjustable and controllable, It is not a product defect or quality problem
- It is recommended that you paint the slab after installation, which can prevent the door from moisture and scratches, while extending the service life of the product.

Product Content

1.1, 2XRail



2.1, 2XHanger



2.2, 4XLong Door Screw



3.1, 5XWall Spacer



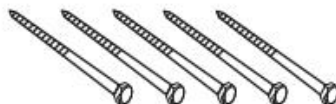
3.2, 5XAnchor

(For concrete wall)

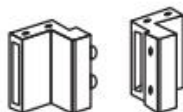


3.3, 5XLag Bolt

(For wood stud)



4.1, 2XDoor Stopper



4.2, 1XHex Key



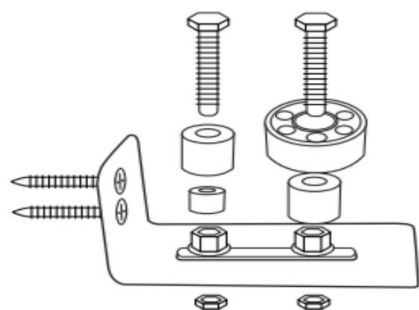
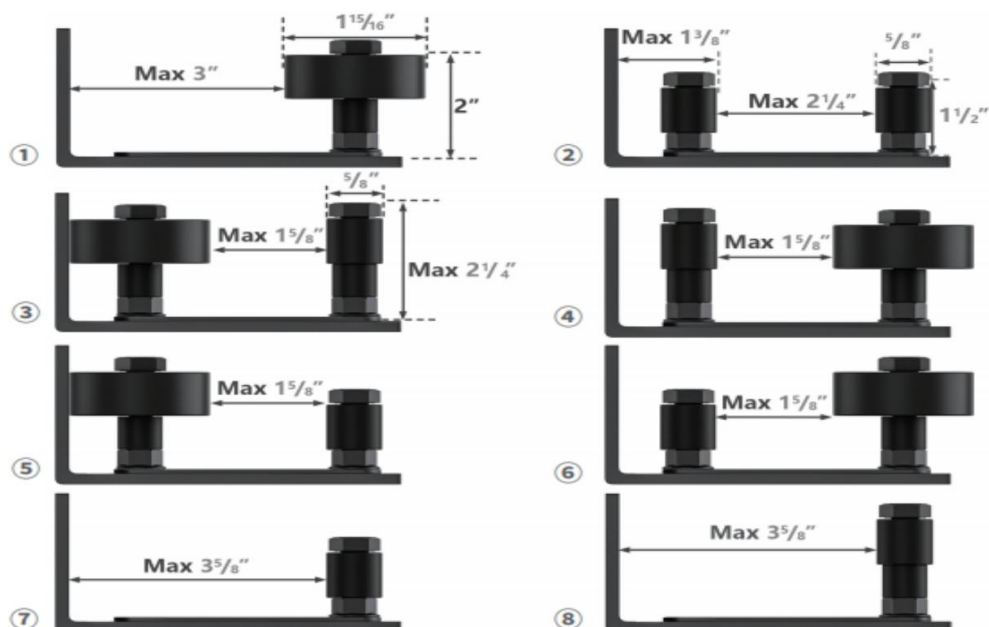
4.3, 2XRubber End



4.4, 1XFloor Guide



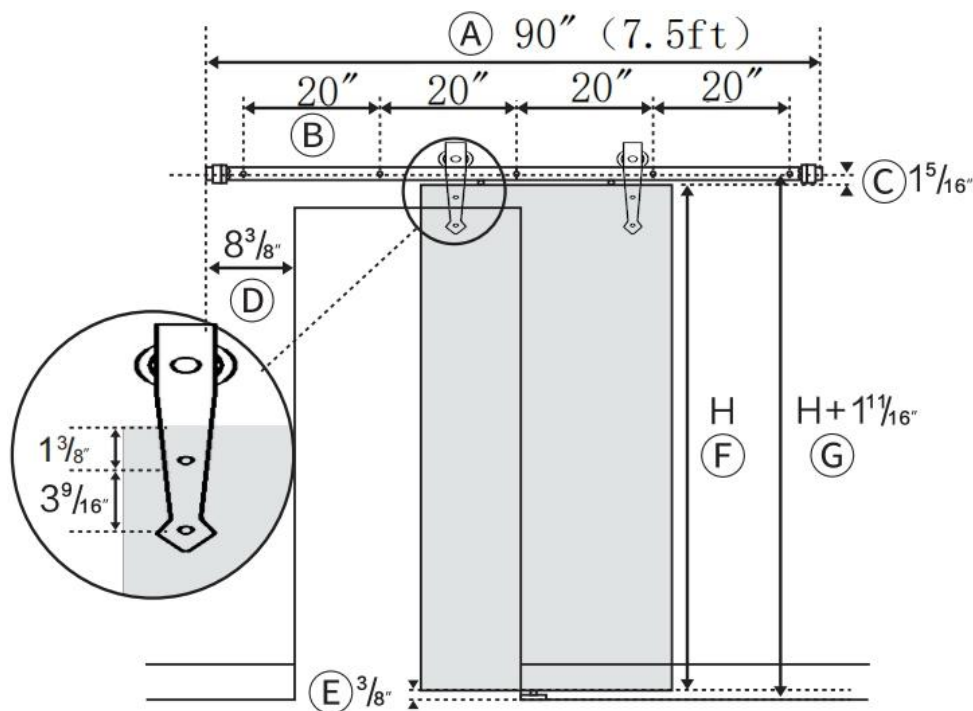
Ground guide rail installation



Notice:

The big roller and 2 small rollers can be separately install/take out from the floor guide. You can freely choose the setups you like to fit your doors. These rollers are UNNECESSARY to always be installed together.

Measurements



A. Over rail length is 90".

B. The gap between each pre-drilled hole is 20".

C. Distance from door top side to holes on the wall is 1 5/16".

D. End of the rail is 8 3/8" away from the entrance of the door.

E. Distance from the bottom of the door is 3/8".

F. Door height is H.

G. The height of holes on the wall is H + 1 1/16".

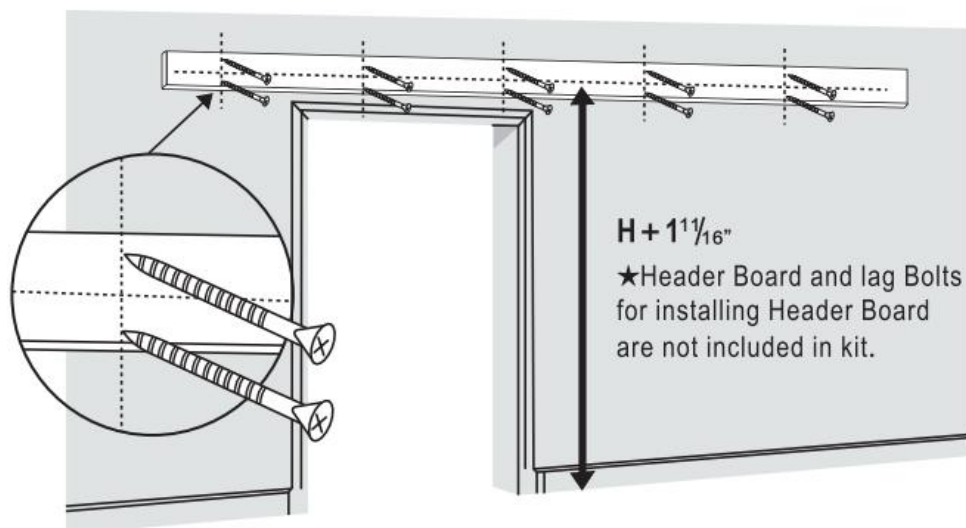
Instructions

It is very important determine whether you will be installing a Header Board prior to installing the track.

Due to many overlapping factors such as the location of wall studs (Our rail come with pre-drilled holes every 16" on center), the weight of a barn door and the various types of trim used in homes , we recommend using a Header Board in all situations.

Please install a 1"x 4" or 1"x 6" Header Board above the door opening directly into studs.

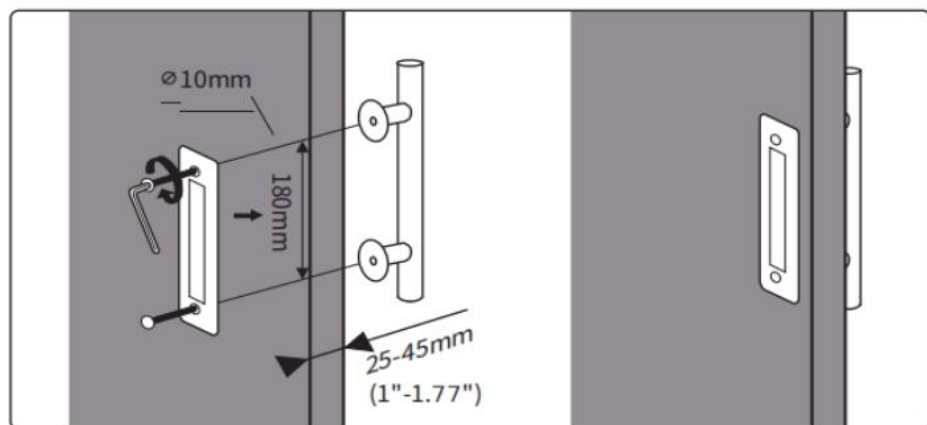
Header Board must be solid wood and measure at least the full length of the track or longer.



Installation steps

Step 1: Drill holes at the desired location.

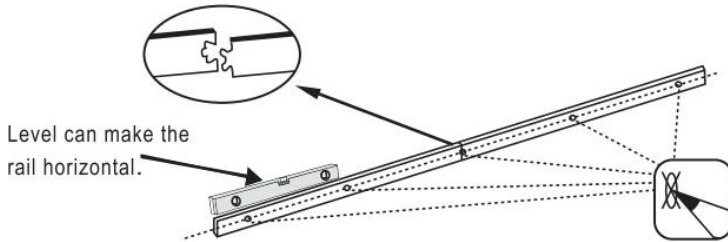
Step 2: Place the pull handle and flush finger pull to the holes (sandwich the door) and use the L wrench and screws to mount the pull handle and the flush.



Tips: Please choose the screws according to the thickness of your door.

01

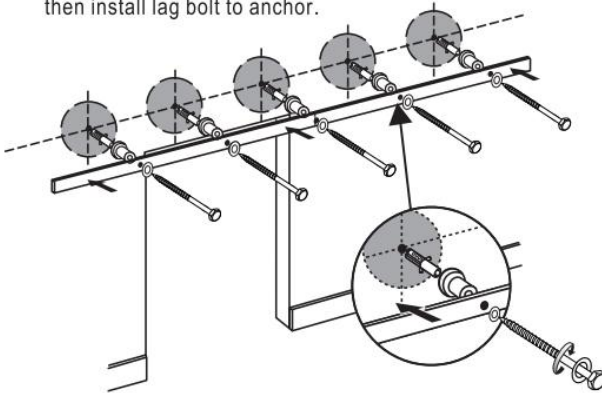
Place the rail against the wall ,and use a pencil to mark whether the holes should be.
Mark sure the height of holes on the wall is $H + 1 \frac{11}{16}''$.

**02**

We provide 2 kinds of screws for you to install rail onto concrete wall or drywall.

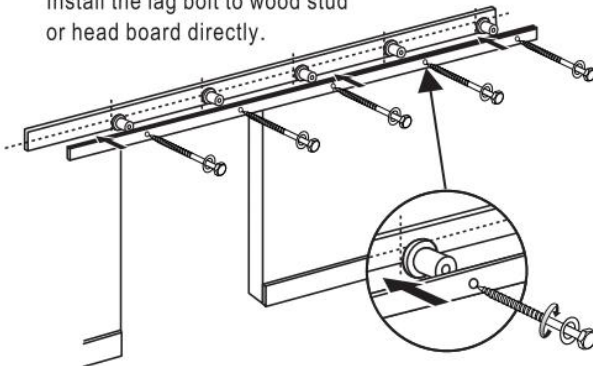
(A) Concrete wall installation.

Install the anchor to holes on the concrete wall first ,
then install lag bolt to anchor.



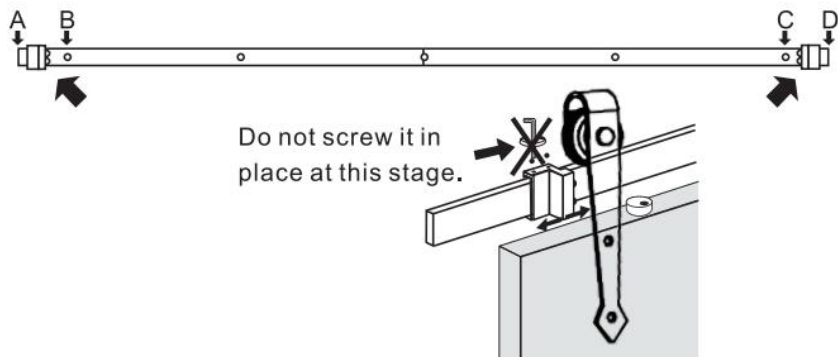
(B) Drywall installation.

Install the lag bolt to wood stud
or head board directly.

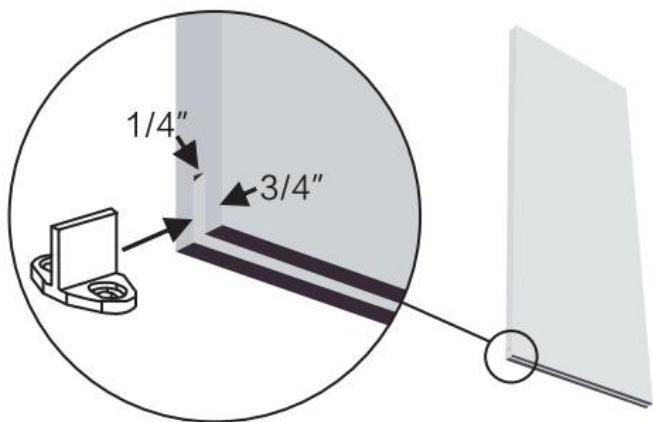


03

Insert door stoppers into rail ,install door stoppers between A-B and C-D. Door stopper is used to prevent the hangers coming out of the rail.

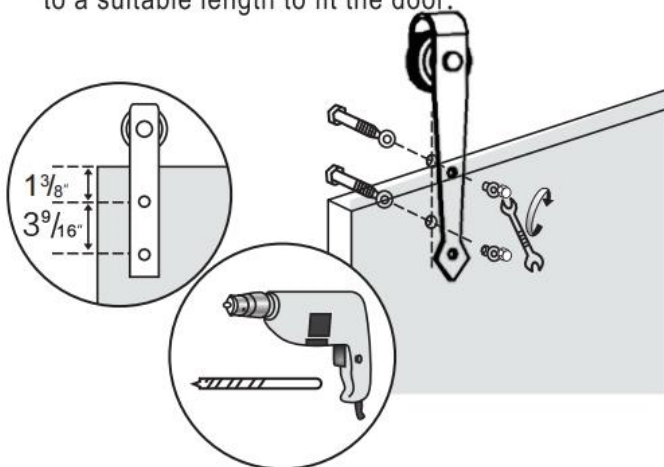
**04**

Use router or circular saw to create a kerf at bottom of the door, along the center to allow the tip of the T-shaped floor guide to fit in between, to keep your door stable and prevent the door bottom swinging back and forth when you slide it open and closed.



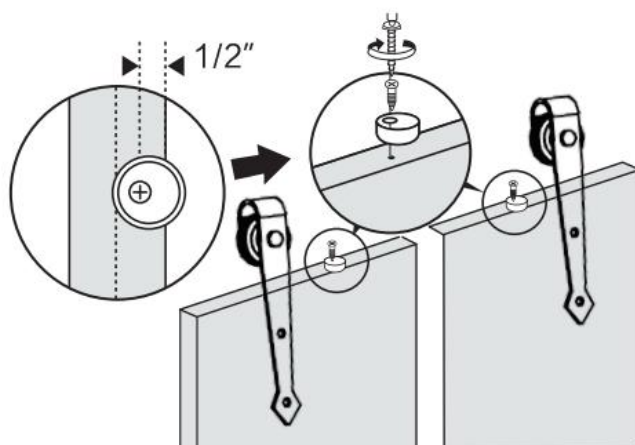
05

Install the hangers onto the door according to the measurement in the pictures below. Maximum door thickness is 1 3/4", please add some bolt washers or cut the long door bolts to a suitable length to fit the door.



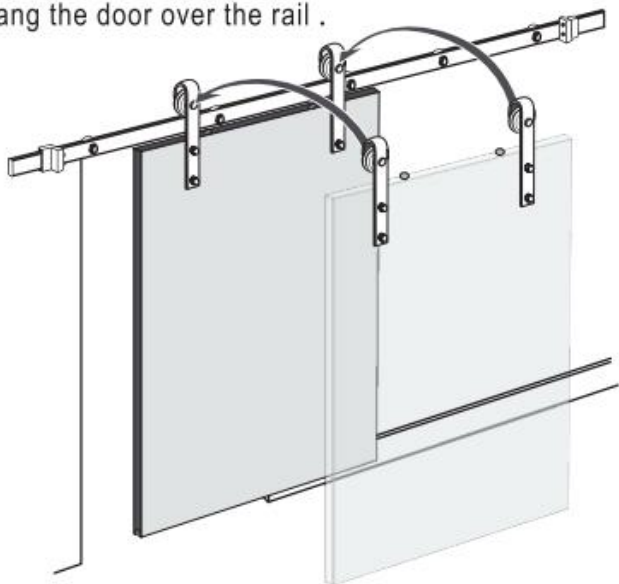
06

The rubber ends are used to protect the door from touching the rail when sliding the door. You need to drill holes on the door top side, please drill the holes 1/2" away from the edge of the door. Then install the rubber ends on the door.

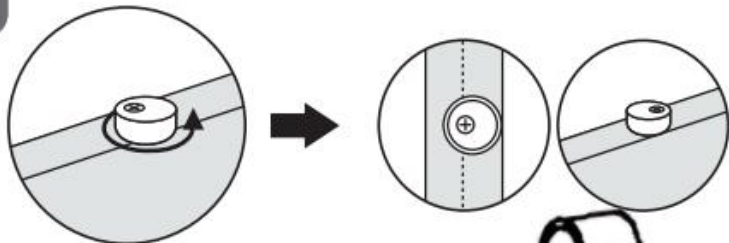


07

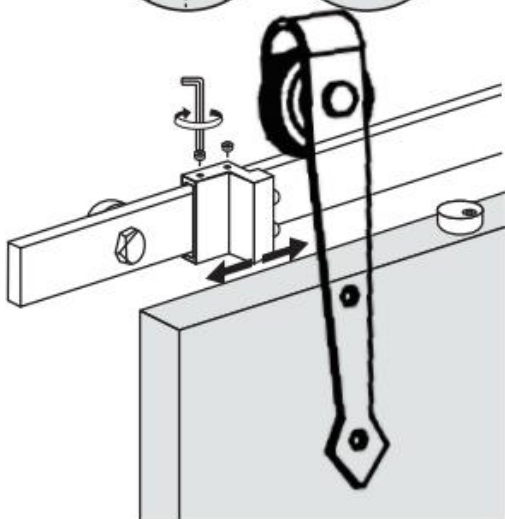
Hang the door over the rail .

**08**

Turn the rubber ends approximately 180 degrees so that they are stuck between the door and the rail.

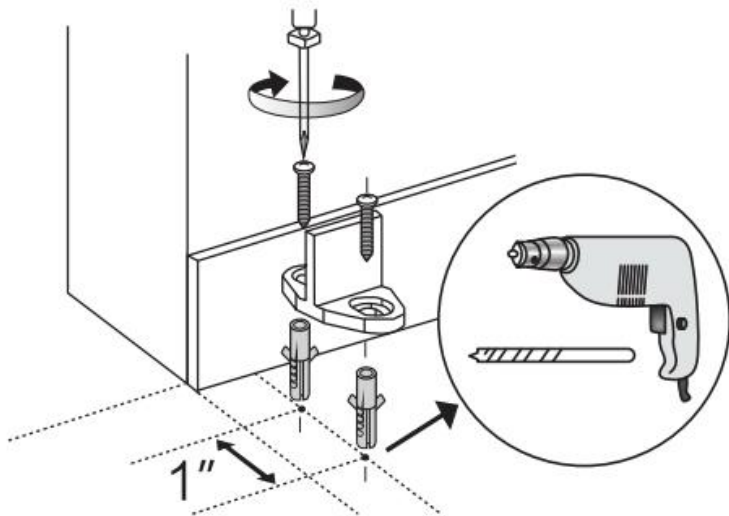
**09**

Adjust the 2 door stoppers to find a suitable position , use the hex key to screw the door stoppers in place.



10

Install the floor guide. Put floor guide on the floor first to fix a suitable position and make a mark so that the tip of the floor guide can work well in the slot. Use suitable drill bit to drill holes on the floor where the mark is, and then install the floor guide.



	Rzeczy	Opis
1	Nazwa	Drzwi do stodoły
2	Model	42AK
3	Parametr	Rozmiar drzwi: 42x84 cale Materiał: drewno

Adres: Baoshanqu Shuangchenglu 803long 11hao 1602A-1609shi Szanghaj
Import do AUS: SIHAO PTY LTD. 1 ROKEVA STREETEASTWOOD NSW 2122
Australia

Import do USA: Sanven Technology Ltd. Suite 250, 9166 Anaheim Place, Rancho
Cucamonga, CA 91730



SHUNSHUN GmbH
Römeräcker 9 Z2021, 76351
Linkenheim-Hochstetten, Germany



Pooledas Group Ltd
Unit 5 Albert Edward House, The
Pavilions Preston, United Kingdom

Wyprodukowano w Chinach

VEVOR[®]

TOUGH TOOLS, HALF PRICE

Wsparcie techniczne i certyfikat e-gwarancji

www.vevor.com/support

VEVOR[®]

TOUGH TOOLS, HALF PRICE

Technischer Support und E-Garantiezertifikat www.vevor.com/support

SCHEUNENTOR BENUTZERHANDBUCH

We continue to be committed to provide you tools with competitive price.

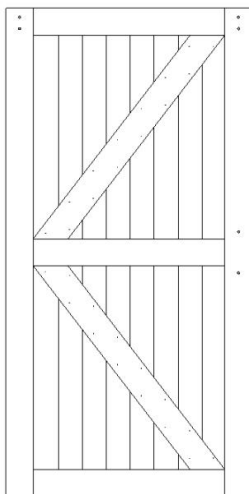
"Save Half", "Half Price" or any other similar expressions used by us only represents an estimate of savings you might benefit from buying certain tools with us compared to the major top brands and does not necessarily mean to cover all categories of tools offered by us. You are kindly reminded to verify carefully when you are placing an order with us if you are actually saving half in comparison with the top major brands.

VEVOR®

TOUGH TOOLS, HALF PRICE

BARN DOOR

MODELL: 42AK



(Das Bild dient nur als Referenz, bitte beziehen Sie sich auf das tatsächliche Objekt)

NEED HELP? CONTACT US!

Have product questions? Need technical support? Please feel free to contact us:

Technical Support and E-Warranty Certificate
www.vevor.com/support

This is the original instruction, please read all manual instructions carefully before operating. VEVOR reserves a clear interpretation of our user manual. The appearance of the product shall be subject to the product you received. Please forgive us that we won't inform you again if there are any technology or software updates on our product.

SAFETY INSTRUCTION AND PRECAUTIONS



WARNUNG:

Lesen Sie dieses Material, bevor Sie dieses Produkt verwenden. Andernfalls kann es zu schweren Verletzungen kommen.

17. Dieses Produkt ist kein Spielzeug. Erlauben Sie Kindern nicht, mit diesem Artikel zu spielen.

18. Nur bestimmungsgemäß verwenden.

19. **Sicherheit am Arbeitsplatz:** Halten Sie den Arbeitsplatz sauber und hell. Chaos und dunkle Orte können zu Unfällen führen.

20. Verwenden Sie Sicherheitsvorrichtungen. Tragen Sie immer eine Schutzbrille. Sicherheitsvorrichtungen wie Staubmasken unter geeigneten Bedingungen, rutschfeste Sicherheitsschuhe, Helme, Gehörschutz und andere Geräte können Personenschäden reduzieren.

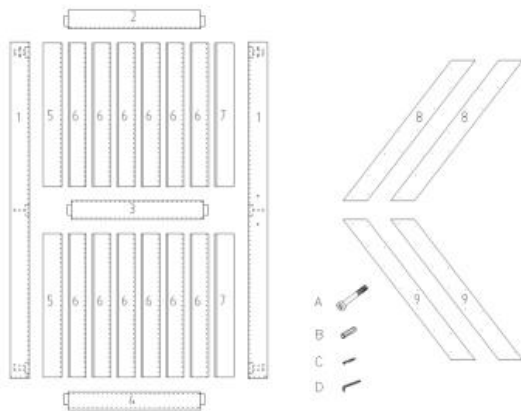
5. Kleide dich richtig. Tragen Sie keine lockere Kleidung und tragen Sie keinen Schmuck. Halten Sie Haare, Kleidung und Ärmel von beweglichen Teilen fern. Lose Kleidung, Schmuck oder lange Haare können von beweglichen Teilen betroffen sein.

OPERATION AS BELOW

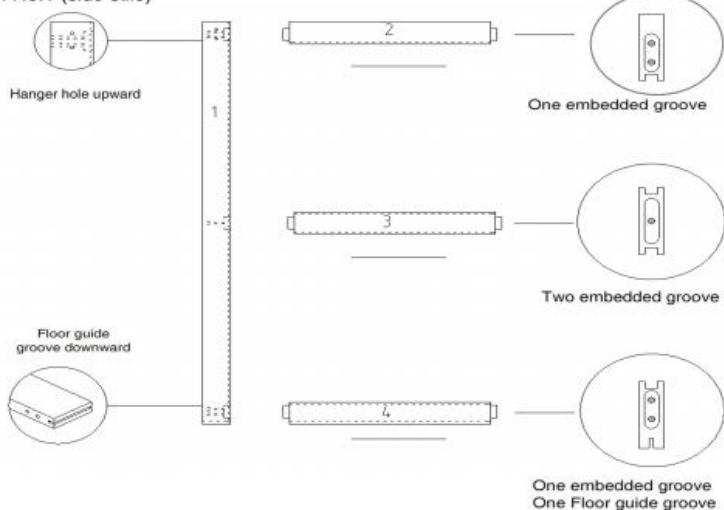
42"x84" Barn Door Installation Instruction

Package List

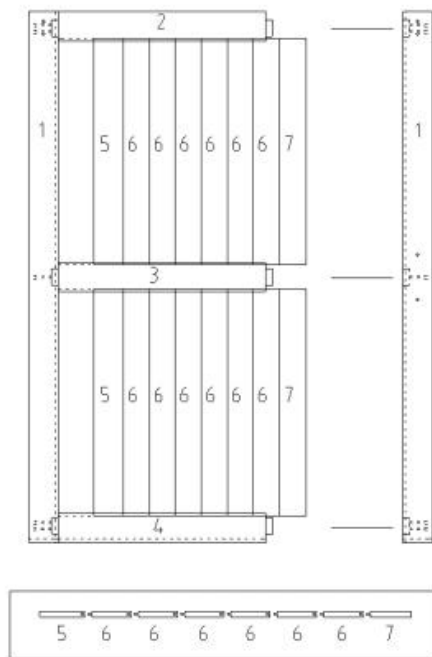
No.	Name	Quantity
1	Side Stile	2
2	Top Rail	1
3	Middle Rail	1
4	Bottom Rail	1
5	Left Side Slat	2
6	Middle Slat	6
7	Right Side Slat	2
8	Diagonal Plank	2
9	Diagonal Plank	2
A	2-3/4" Lag Bolts	10
B	Wood Plug	10
C	13/16" Lag Bolts	56
D	Hexagonal wrench	1



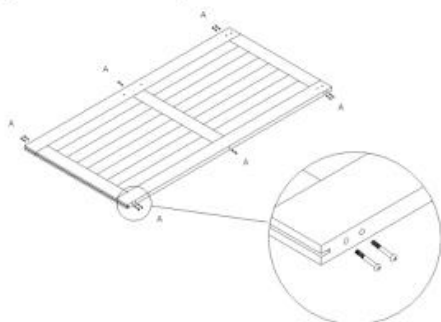
Step 1. Assemble on clean and flat ground, find the No.1 (side stile) and let the grooved side face to the right, find the No.2 (top rail), No.3 (middle rail), No.4 (bottom rail) to put into the groove of No.1 (side stile)



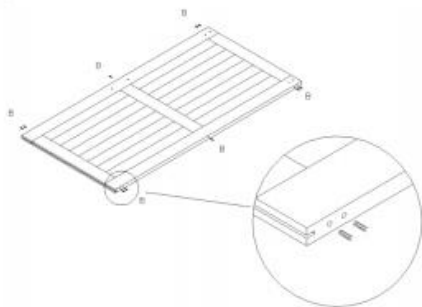
Step 2. Find the 2 pcs of No.5 (left side slat) insert into No.1 (left side stile), then insert 6 pcs of No.6 (middle slat) one by one and insert 2 pcs of No.7 (right side slat) to No.6, finally assemble another No.1 (right side stile)



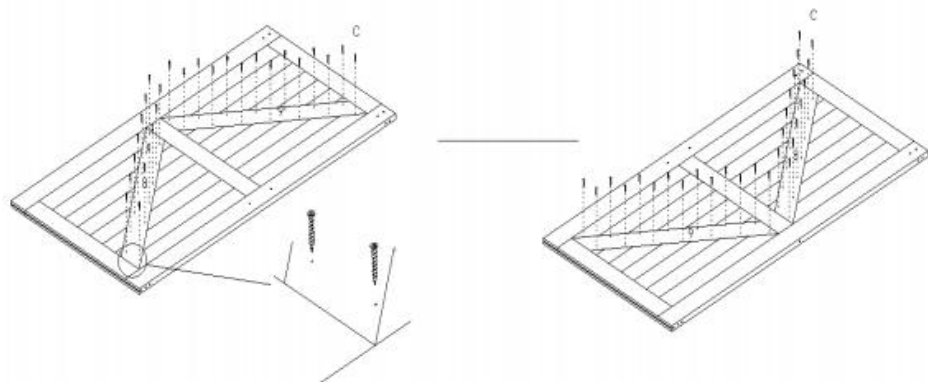
Step 3. Insert the 10 pcs of A (2-3/4" lag bolts) into No. 1 (left side stile and right side stile) and tighten them securely



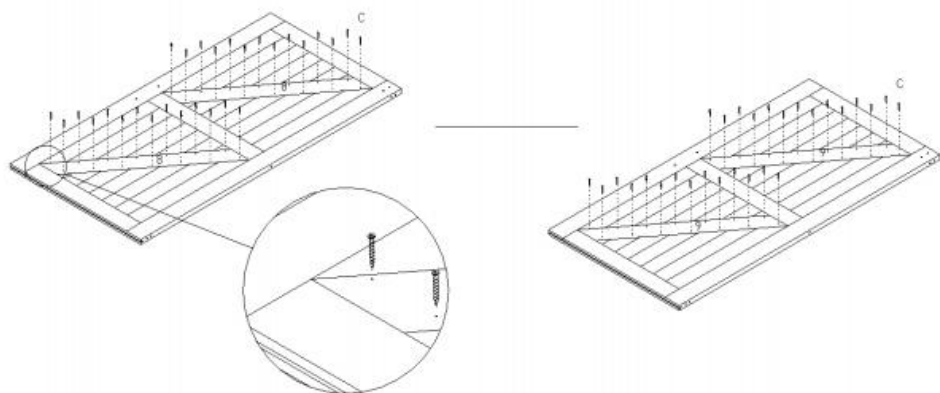
Step 4. Insert the 10 pcs of B (wood plug) into all holes of No. 1 (left side stile and right side stile)



Step 5. Install the No. 8 (diagonal overlay) and No. 9 (diagonal overlay) using C (13/16" lag bolts) on the front of door, then turn the door over, install the other side.



You also install this style



⚠ WARNING

- It is recommended to wear protective equipment during installation and transportation to prevent sprain and bruise.
- If the door is not securely installed, it may cause the door to move or fall apart unexpectedly. Please make sure all the screws are in place and tighten before hanging.
- Please note that body parts (such as hair, fingers, etc.) stuck in the moving parts during installation may cause squeezing and serious injury.
- The door is heavy, we recommend 2 people for this build. Close the door carefully and do not get caught, such as fingers and babies. Improper handling may cause loss of balance and serious injury.

⚠ ABOUT SOLID WOOD DOORS

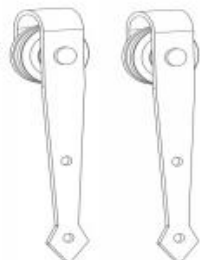
- The slab belongs to natural wood, it is likely to deform and expand slightly when exposed to moisture, it is a normal natural phenomenon, please keep away from the humid environment.
- In the production process we have sanded the edges of the slabs, but it is still possible to get some burrs. You can use the included sandpaper to smooth it, It is not a product defect.
- Natural wood itself contains nodules, which are not adjustable and controllable, It is not a product defect or quality problem
- It is recommended that you paint the slab after installation, which can prevent the door from moisture and scratches, while extending the service life of the product.

Product Content

1.1, 2XRail



2.1, 2XHanger



2.2, 4XLong Door Screw



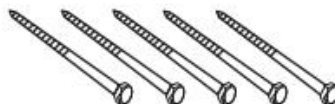
3.1, 5XWall Spacer



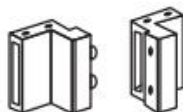
3.2, 5XAnchor
(For concrete wall)



3.3, 5XLag Bolt
(For wood stud)



4.1, 2XDoor Stopper



4.2, 1XHex Key



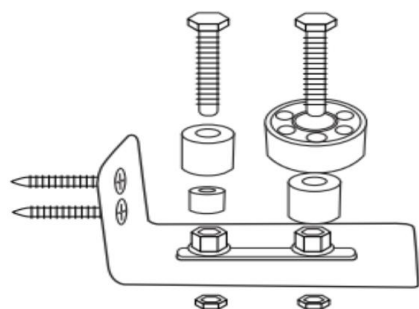
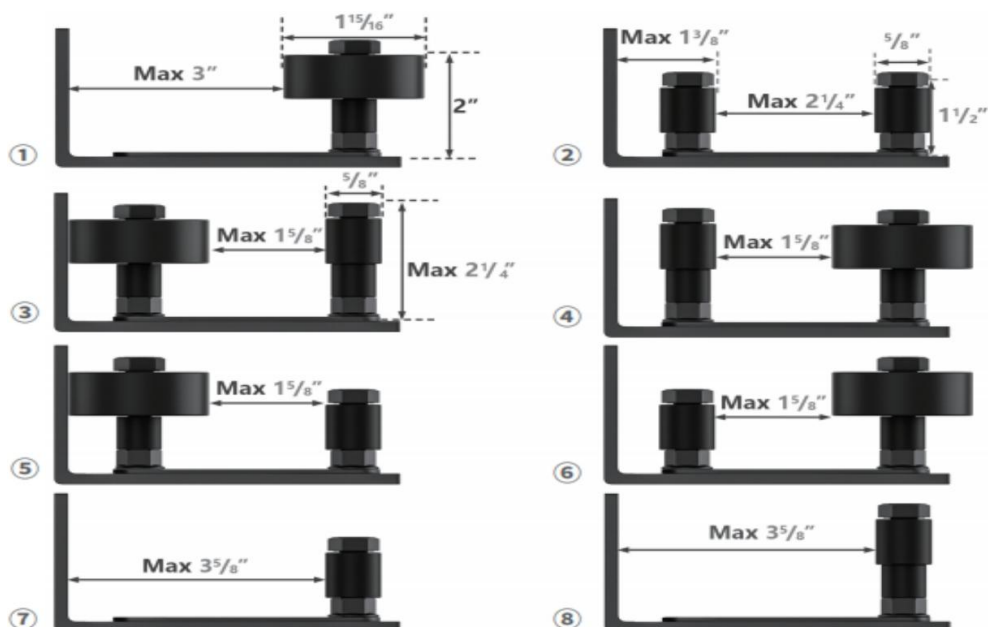
4.3, 2XRubber End



4.4, 1XFloor Guide



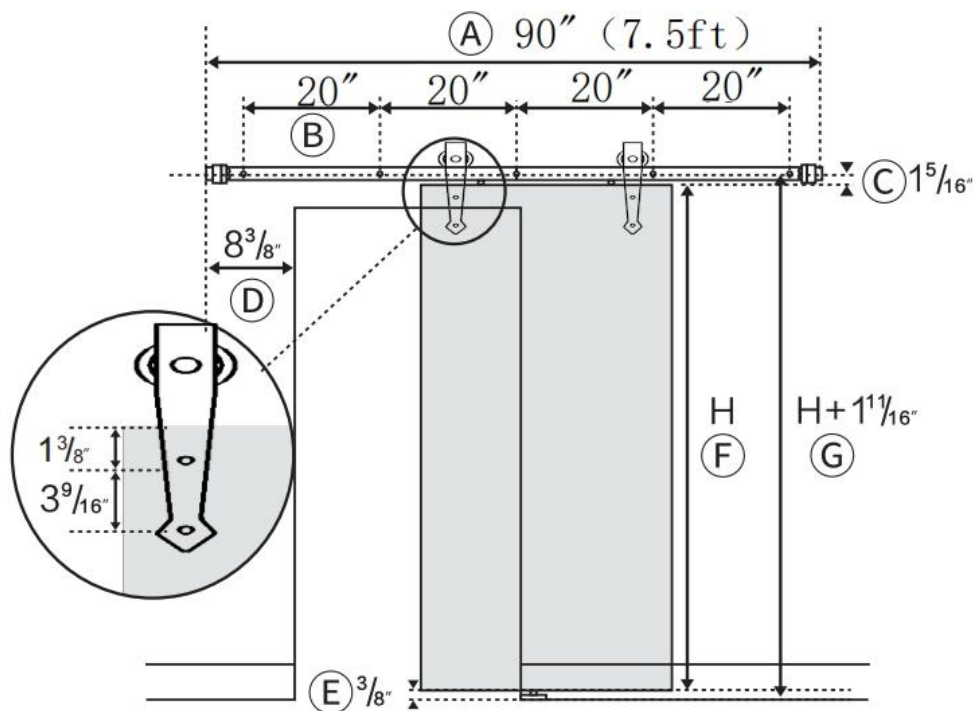
Ground guide rail installation



Notice:

The big roller and 2 small rollers can be separately install/take out from the floor guide. You can freely choose the setups you like to fit your doors. These rollers are UNNECESSARY to always be installed together.

Measurements



A. Over rail length is 90".

B. The gap between each pre-drilled hole is 20".

C. Distance from door top side to holes on the wall is 1 5/16".

D. End of the rail is 8 3/8" away from the entrance of the door.

E. Distance from the bottom of the door is 3/8".

F. Door height is H.

G. The height of holes on the wall is H + 1 1/16".

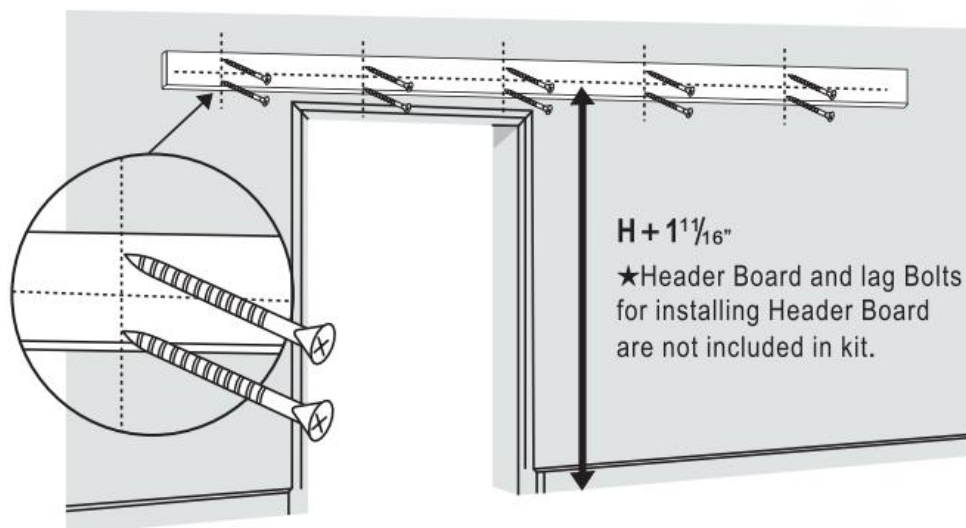
Instructions

It is very important determine whether you will be installing a Header Board prior to installing the track.

Due to many overlapping factors such as the location of wall studs (Our rail come with pre-drilled holes every 16" on center), the weight of a barn door and the various types of trim used in homes , we recommend using a Header Board in all situations.

Please install a 1"x 4" or 1"x 6" Header Board above the door opening directly into studs.

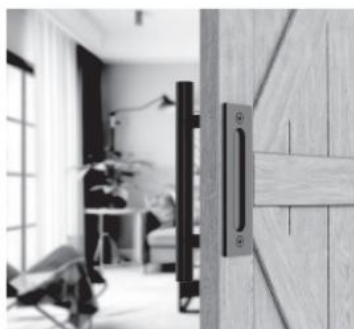
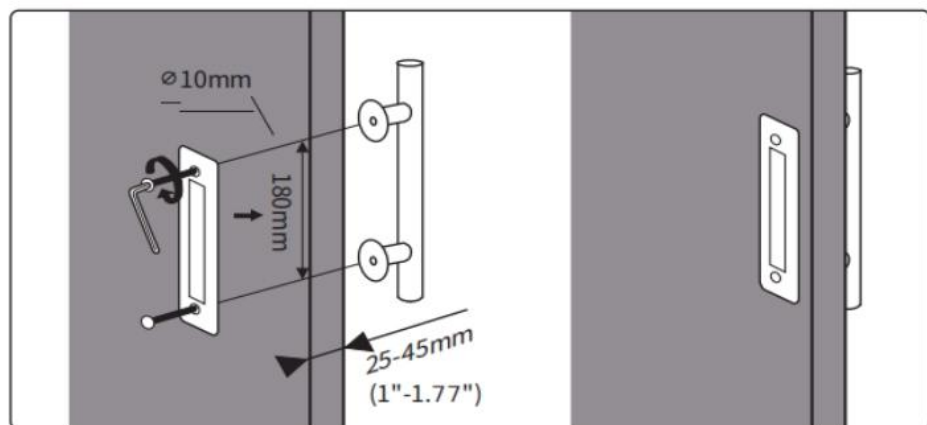
Header Board must be solid wood and measure at least the full length of the track or longer.



Installation steps

Step 1: Drill holes at the desired location.

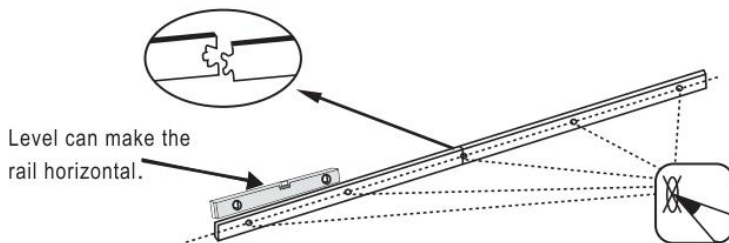
Step 2: Place the pull handle and flush finger pull to the holes (sandwich the door) and use the L wrench and screws to mount the pull handle and the flush.



Tips: Please choose the screws according to the thickness of your door.

01

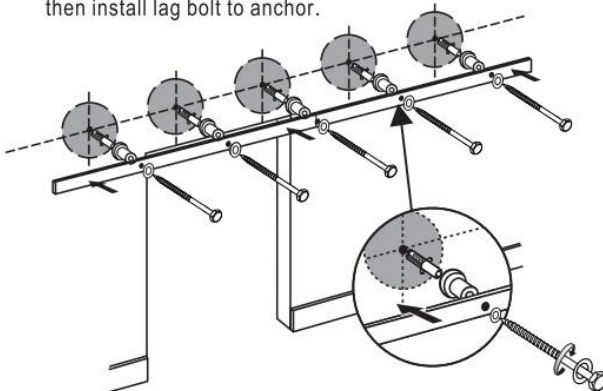
Place the rail against the wall ,and use a pencil to mark whether the holes should be.
Mark sure the height of holes on the wall is $H + 1\ 11/16''$.

**02**

We provide 2 kinds of screws for you to install rail onto concrete wall or drywall.

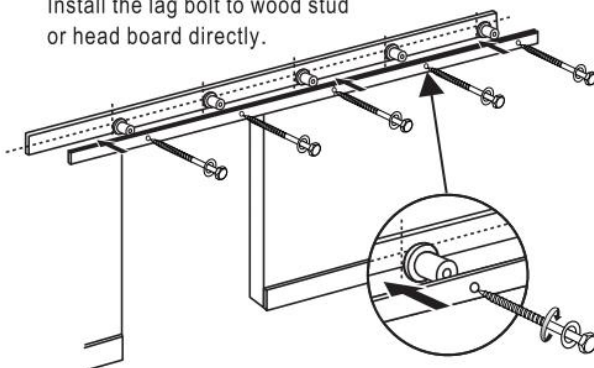
(A) Concrete wall installation.

Install the anchor to holes on the concrete wall first ,
then install lag bolt to anchor.



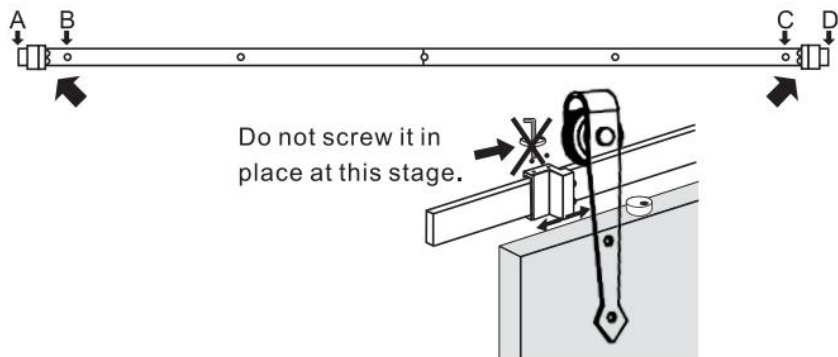
(B) Drywall installation.

Install the lag bolt to wood stud
or head board directly.

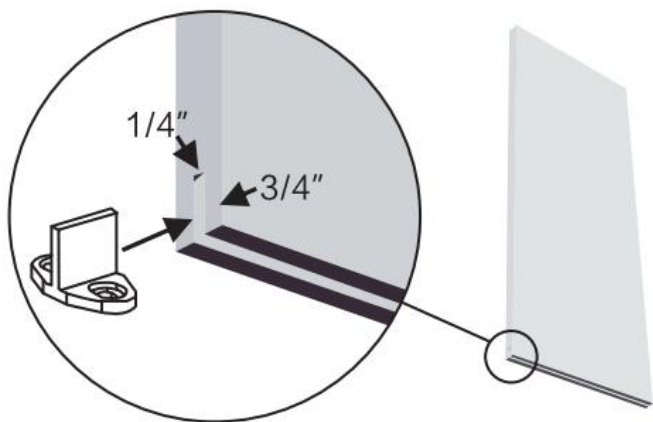


03

Insert door stoppers into rail, install door stoppers between A-B and C-D. Door stopper is used to prevent the hangers coming out of the rail.

**04**

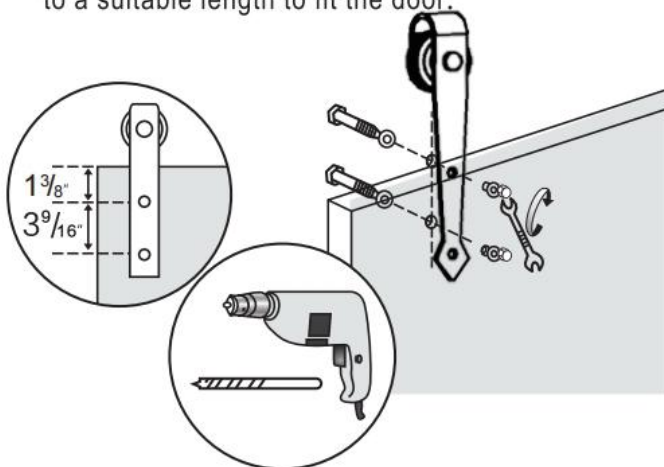
Use router or circular saw to create a kerf at bottom of the door, along the center to allow the tip of the T-shaped floor guide to fit in between, to keep your door stable and prevent the door bottom swinging back and forth when you slide it open and closed.



05

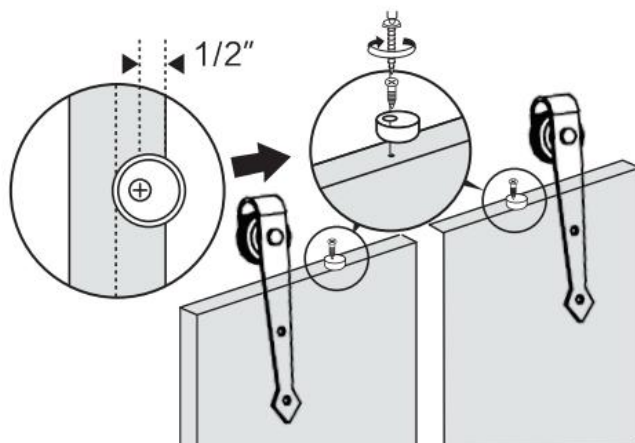
Install the hangers onto the door according to the measurement in the pictures below.

Maximum door thickness is $1\frac{3}{4}$ " , please add some bolt washers or cut the long door bolts to a suitable length to fit the door.



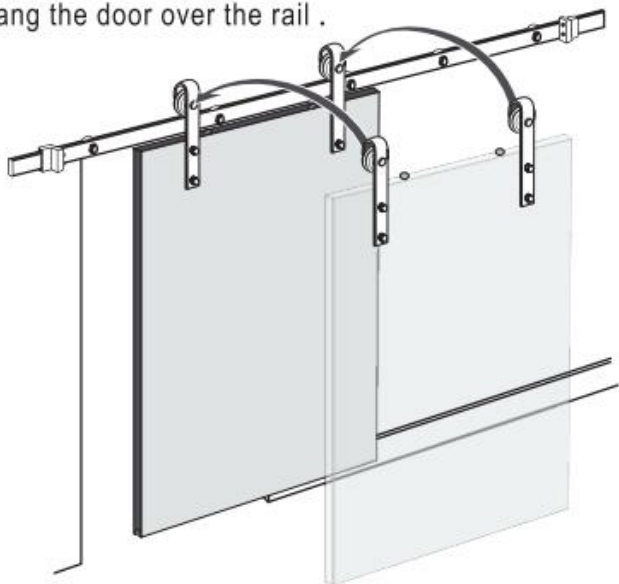
06

The rubber ends are used to protect the door from touching the rail when sliding the door. You need to drill holes on the door top side , please drill the holes $\frac{1}{2}$ away from the edge of the door. Then install the rubber ends on the door.



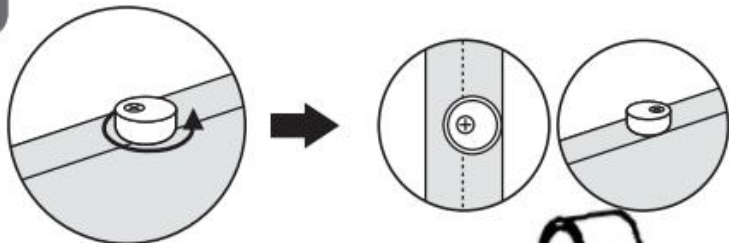
07

Hang the door over the rail .



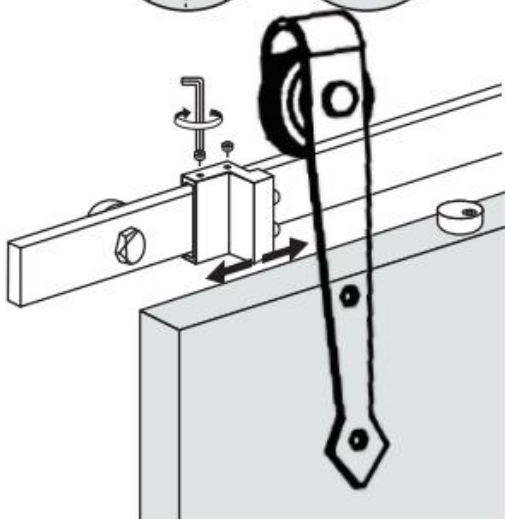
08

Turn the rubber ends approximately 180 degrees so that they are stuck between the door and the rail.



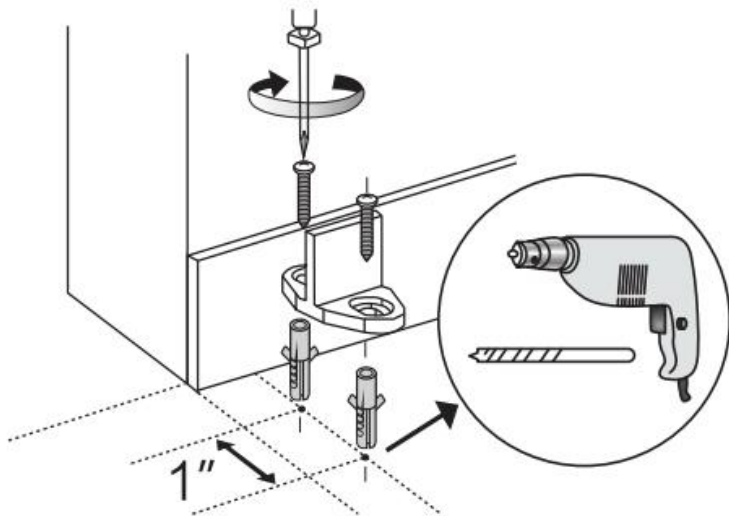
09

Adjust the 2 door stoppers to find a suitable position , use the hex key to screw the door stoppers in place.



10

Install the floor guide. Put floor guide on the floor first to fix a suitable position and make a mark so that the tip of the floor guide can work well in the slot. Use suitable drill bit to drill holes on the floor where the mark is, and then install the floor guide.



	Artikel	Beschreibung
1	Name	Scheunentor
2	Modell	42AK
3	Parameter	Türgröße: 106,7 x 213,4 cm. Material: Holz

Adresse: Baoshanqu Shuangchenglu 803long 11hao 1602A-1609shi Shanghai
Importiert nach AUS: SIHAO PTY LTD. 1 ROKEVA STREETEASTWOOD NSW
2122 Australien

In die USA importiert: Sanven Technology Ltd. Suite 250, 9166 Anaheim Place,
Rancho Cucamonga, CA 91730



SHUNSHUN GmbH
Römeräcker 9 Z2021, 76351
Linkenheim-Hochstetten, Germany



Pooledas Group Ltd
Unit 5 Albert Edward House, The
Pavilions Preston, United Kingdom

In China hergestellt

VEVOR[®]

TOUGH TOOLS, HALF PRICE

Zertifikat für technischen Support und E-Garantie

www.vevor.com/support

VEVOR[®]

TOUGH TOOLS, HALF PRICE

Assistance technique et certificat de garantie électronique www.vevor.com/support

PORTE DE GRANGE MANUEL DE L'UTILISATEUR

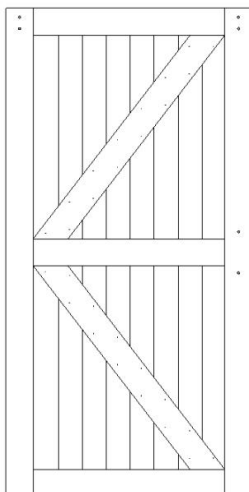
We continue to be committed to provide you tools with competitive price. "Save Half", "Half Price" or any other similar expressions used by us only represents an estimate of savings you might benefit from buying certain tools with us compared to the major top brands and does not necessarily mean to cover all categories of tools offered by us. You are kindly reminded to verify carefully when you are placing an order with us if you are actually saving half in comparison with the top major brands.

VEVOR®

TOUGH TOOLS, HALF PRICE

BARN DOOR

MODÈLE: 42AK



(L'image est à titre de référence seulement, veuillez vous référer à l'objet réel)

NEED HELP? CONTACT US!

Have product questions? Need technical support? Please feel free to contact us:

Technical Support and E-Warranty Certificate
www.vevor.com/support

This is the original instruction, please read all manual instructions carefully before operating. VEVOR reserves a clear interpretation of our user manual. The appearance of the product shall be subject to the product you received. Please forgive us that we won't inform you again if there are any technology or software updates on our product.

SAFETY INSTRUCTION AND PRECAUTIONS



AVERTISSEMENT:

Lisez ce document avant d'utiliser ce produit. Ne pas le faire peut entraîner des blessures graves.

21. Ce produit n'est pas un jouet. Ne laissez pas les enfants jouer avec cet article.

22. Utiliser uniquement comme prévu.

23. **Sécurité de la zone de travail** : Gardez le lieu de travail propre et lumineux. Le chaos et les endroits sombres peuvent provoquer un accident.

24. Utilisez des dispositifs de sécurité. Portez toujours des lunettes. Les dispositifs de sécurité, tels que les masques anti-poussière dans des conditions appropriées, les chaussures de sécurité antidérapantes, les casques, les protections auditives et autres dispositifs, peuvent réduire les blessures corporelles.

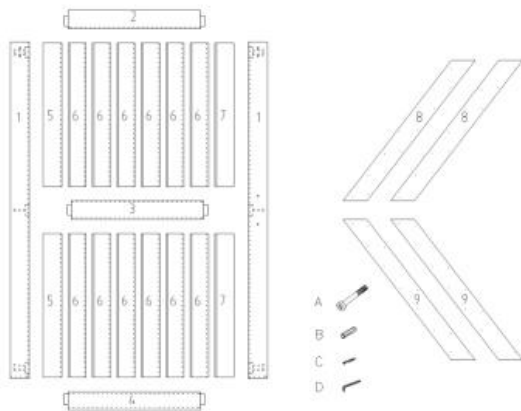
5. Habillez-vous correctement. Ne portez pas de vêtements amples ni de bijoux. Gardez vos cheveux, vos vêtements et vos manches éloignés des pièces mobiles. Des vêtements amples, des ornements ou des cheveux longs peuvent être impliqués dans les pièces mobiles.

OPERATION AS BELOW

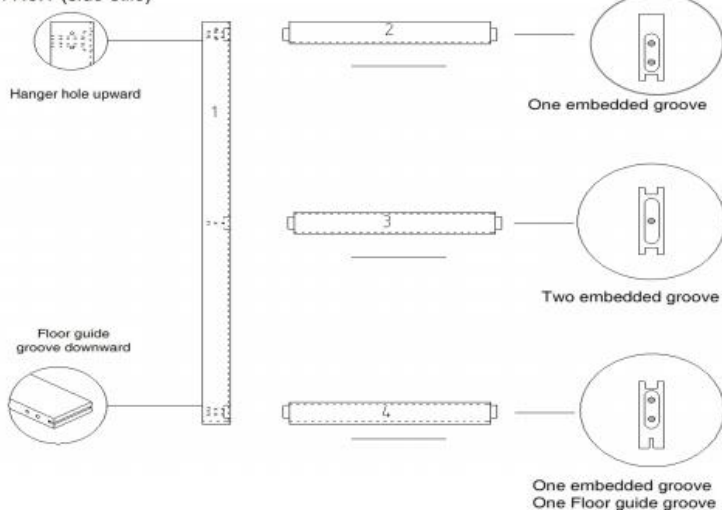
42"x84" Barn Door Installation Instruction

Package List

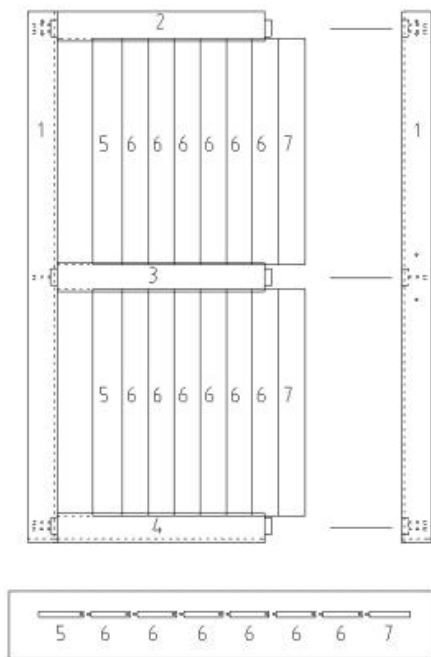
No.	Name	Quantity
1	Side Stile	2
2	Top Rail	1
3	Middle Rail	1
4	Bottom Rail	1
5	Left Side Slat	2
6	Middle Slat	6
7	Right Side Slat	2
8	Diagonal Plank	2
9	Diagonal Plank	2
A	2-3/4" Lag Bolts	10
B	Wood Plug	10
C	13/16" Lag Bolts	56
D	Hexagonal wrench	1



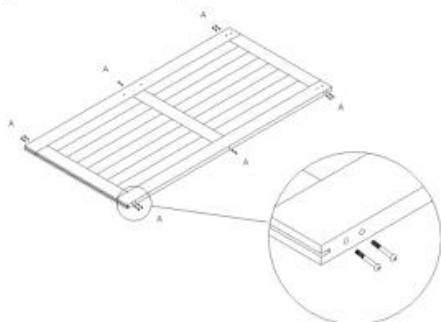
Step 1. Assemble on clean and flat ground, find the No.1 (side stile) and let the grooved side face to the right, find the No.2 (top rail), No.3 (middle rail), No.4 (bottom rail) to put into the groove of No.1 (side stile)



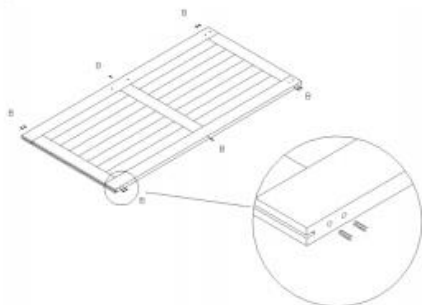
Step 2. Find the 2 pcs of No.5 (left side slat) insert into No.1 (left side stile), then insert 6 pcs of No.6 (middle slat) one by one and insert 2 pcs of No.7 (right side slat) to No.6, finally assemble another No.1 (right side stile)



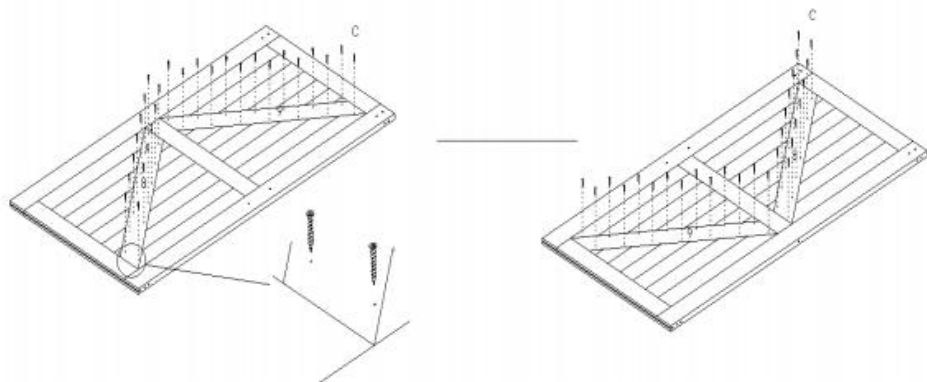
Step 3. Insert the 10 pcs of A (2-3/4" lag bolts) into No. 1 (left side stile and right side stile) and tighten them securely



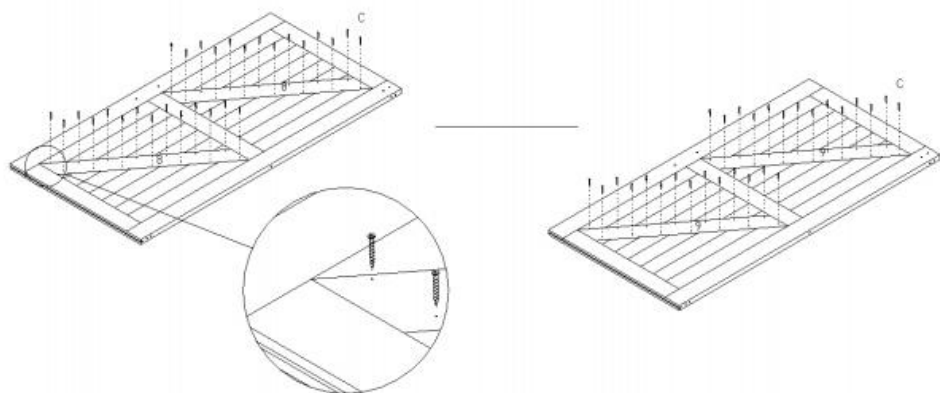
Step 4. Insert the 10 pcs of B (wood plug) into all holes of No. 1 (left side stile and right side stile)



Step 5. Install the No. 8 (diagonal overlay) and No. 9 (diagonal overlay) using C (13/16" lag bolts) on the front of door, then turn the door over, install the other side.



You also install this style



⚠ WARNING

- It is recommended to wear protective equipment during installation and transportation to prevent sprain and bruise.
- If the door is not securely installed, it may cause the door to move or fall apart unexpectedly. Please make sure all the screws are in place and tighten before hanging.
- Please note that body parts (such as hair, fingers, etc.) stuck in the moving parts during installation may cause squeezing and serious injury.
- The door is heavy, we recommend 2 people for this build. Close the door carefully and do not get caught, such as fingers and babies. Improper handling may cause loss of balance and serious injury.

⚠ ABOUT SOLID WOOD DOORS

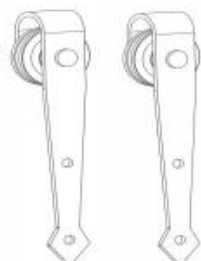
- The slab belongs to natural wood, it is likely to deform and expand slightly when exposed to moisture, it is a normal natural phenomenon, please keep away from the humid environment.
- In the production process we have sanded the edges of the slabs, but it is still possible to get some burrs. You can use the included sandpaper to smooth it, It is not a product defect.
- Natural wood itself contains nodules, which are not adjustable and controllable, It is not a product defect or quality problem
- It is recommended that you paint the slab after installation, which can prevent the door from moisture and scratches, while extending the service life of the product.

Product Content

1.1, 2XRail



2.1, 2XHanger



2.2, 4XLong Door Screw



3.1, 5XWall Spacer



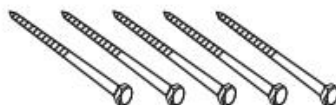
3.2, 5XAnchor

(For concrete wall)

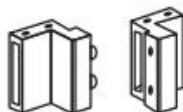


3.3, 5XLag Bolt

(For wood stud)



4.1, 2XDoor Stopper



4.2, 1XHex Key



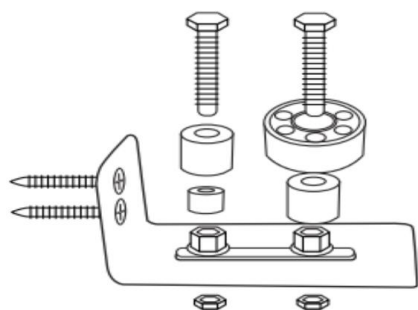
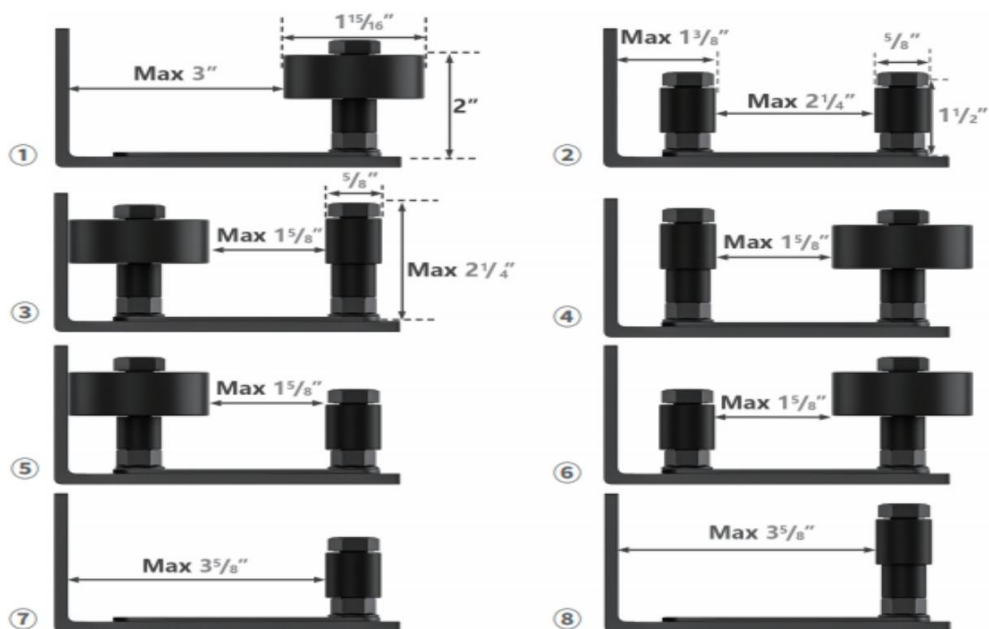
4.3, 2XRubber End



4.4, 1XFloor Guide



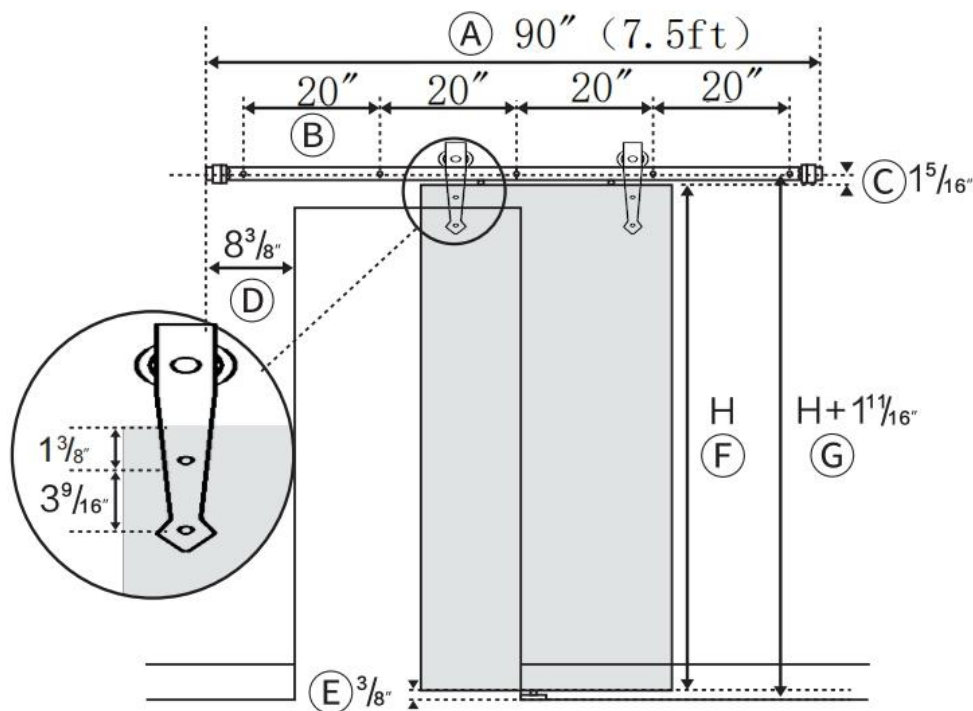
Ground guide rail installation



Notice:

The big roller and 2 small rollers can be separately install/take out from the floor guide. You can freely choose the setups you like to fit your doors. These rollers are UNNECESSARY to always be installed together.

Measurements



A. Over rail length is 90".

B. The gap between each pre-drilled hole is 20".

C. Distance from door top side to holes on the wall is 1 5/16".

D. End of the rail is 8 3/8" away from the entrance of the door.

E. Distance from the bottom of the door is 3/8".

F. Door height is H.

G. The height of holes on the wall is H + 1 1/16".

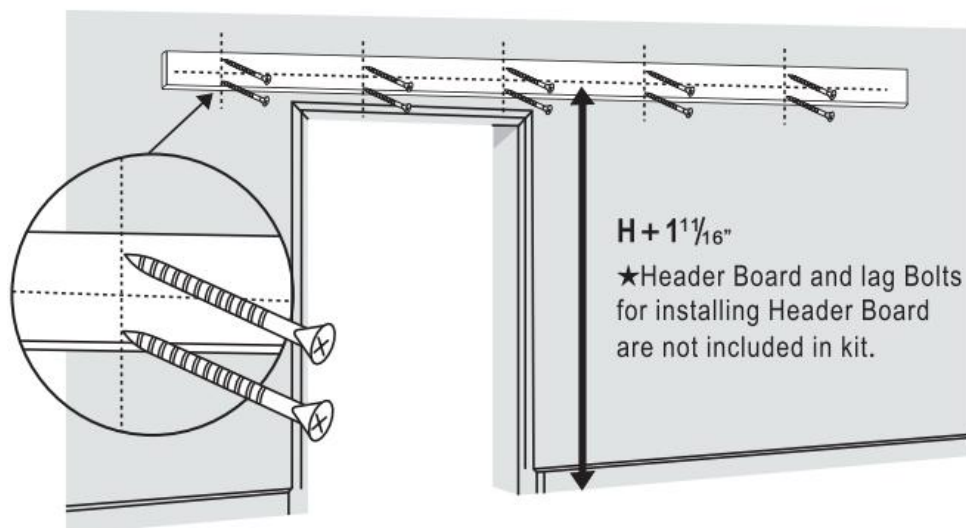
Instructions

It is very important determine whether you will be installing a Header Board prior to installing the track.

Due to many overlapping factors such as the location of wall studs (Our rail come with pre-drilled holes every 16" on center), the weight of a barn door and the various types of trim used in homes , we recommend using a Header Board in all situations.

Please install a 1"x 4" or 1"x 6" Header Board above the door opening directly into studs.

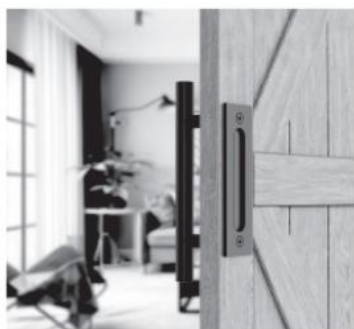
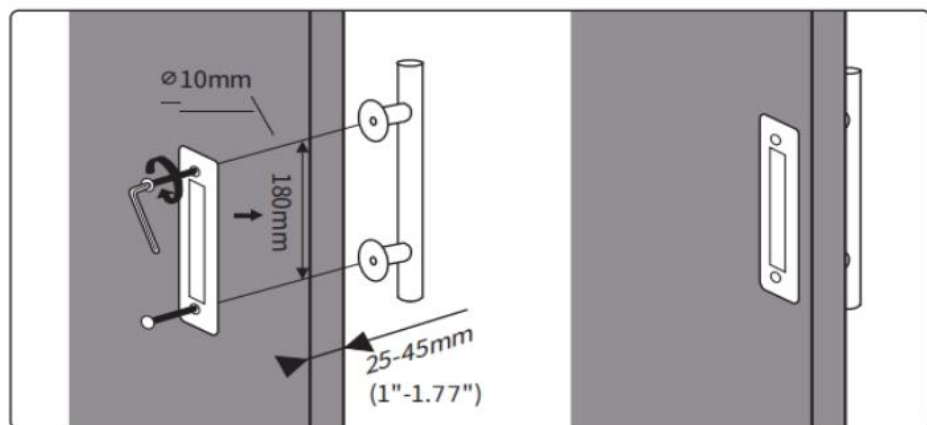
Header Board must be solid wood and measure at least the full length of the track or longer.



Installation steps

Step 1: Drill holes at the desired location.

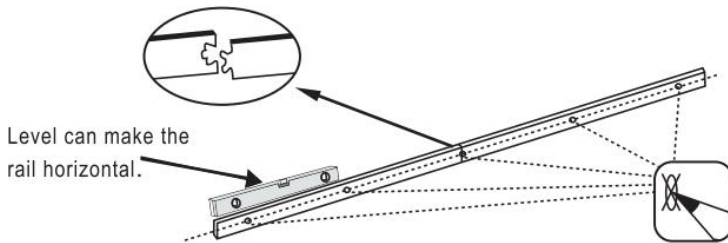
Step 2: Place the pull handle and flush finger pull to the holes (sandwich the door) and use the L wrench and screws to mount the pull handle and the flush.



Tips: Please choose the screws according to the thickness of your door.

01

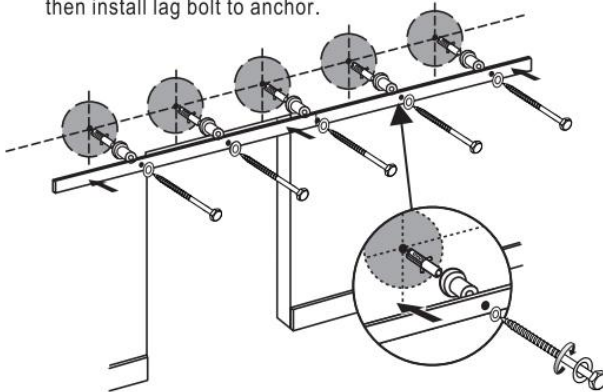
Place the rail against the wall ,and use a pencil to mark whether the holes should be.
Mark sure the height of holes on the wall is $H + 1 \frac{11}{16}''$.

**02**

We provide 2 kinds of screws for you to install rail onto concrete wall or drywall.

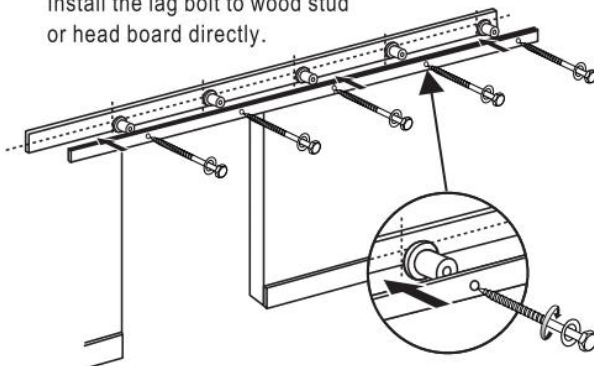
(A) Concrete wall installation.

Install the anchor to holes on the concrete wall first ,
then install lag bolt to anchor.



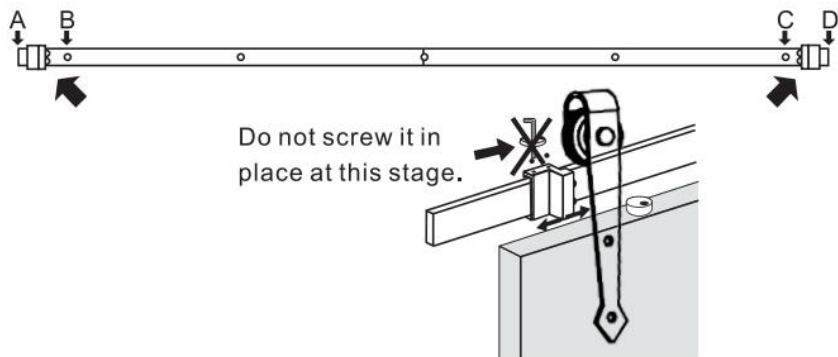
(B) Drywall installation.

Install the lag bolt to wood stud
or head board directly.

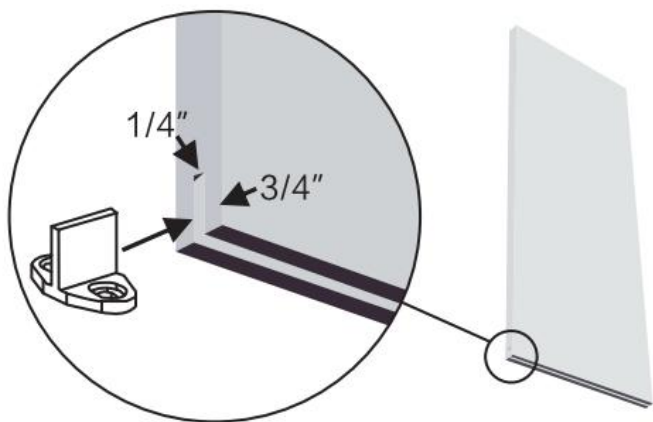


03

Insert door stoppers into rail, install door stoppers between A-B and C-D. Door stopper is used to prevent the hangers coming out of the rail.

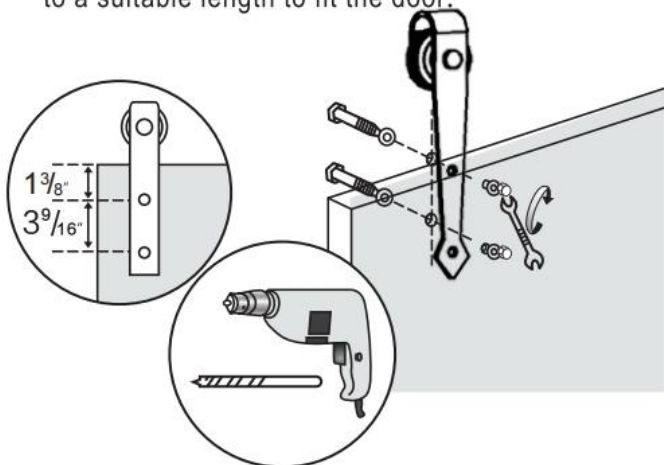
**04**

Use router or circular saw to create a kerf at bottom of the door, along the center to allow the tip of the T-shaped floor guide to fit in between, to keep your door stable and prevent the door bottom swinging back and forth when you slide it open and closed.



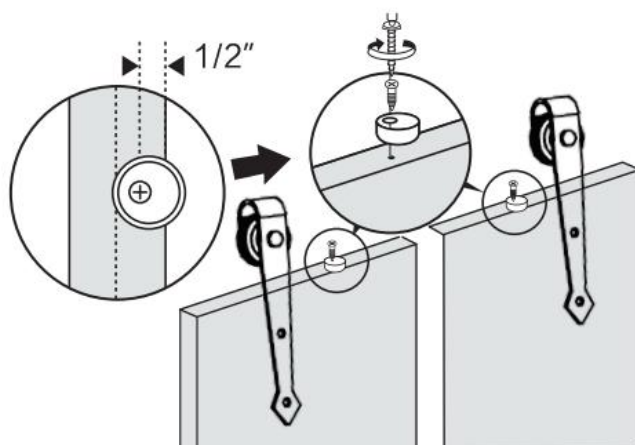
05

Install the hangers onto the door according to the measurement in the pictures below. Maximum door thickness is 1 3/4", please add some bolt washers or cut the long door bolts to a suitable length to fit the door.



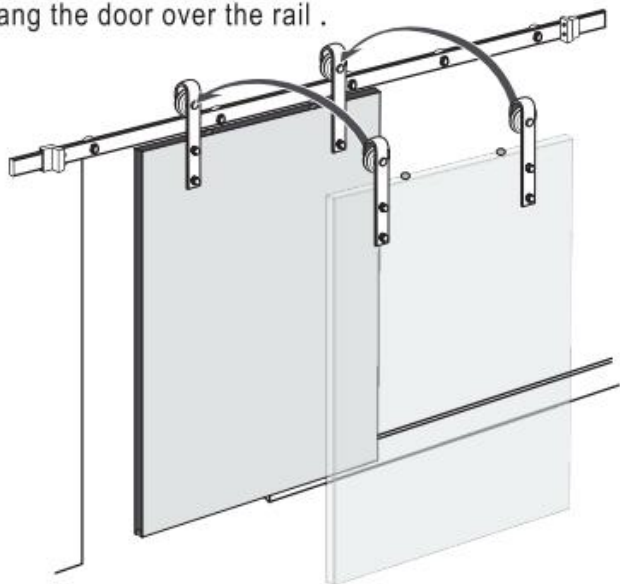
06

The rubber ends are used to protect the door from touching the rail when sliding the door. You need to drill holes on the door top side, please drill the holes 1/2" away from the edge of the door. Then install the rubber ends on the door.

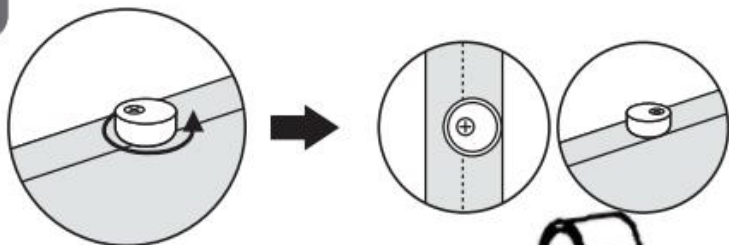


07

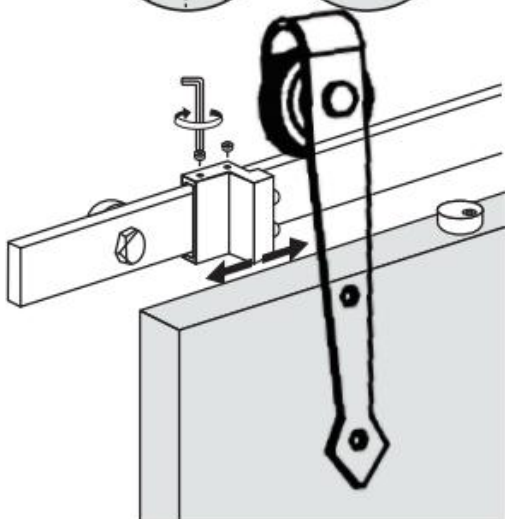
Hang the door over the rail .

**08**

Turn the rubber ends approximately 180 degrees so that they are stuck between the door and the rail.

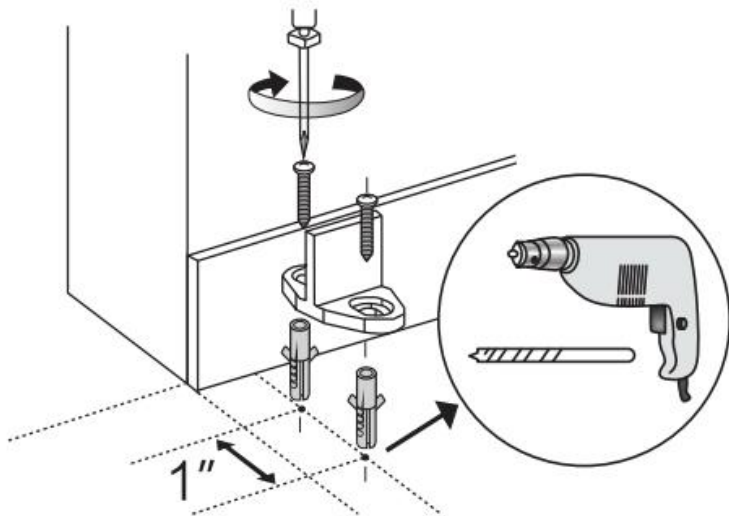
**09**

Adjust the 2 door stoppers to find a suitable position , use the hex key to screw the door stoppers in place.



10

Install the floor guide. Put floor guide on the floor first to fix a suitable position and make a mark so that the tip of the floor guide can work well in the slot. Use suitable drill bit to drill holes on the floor where the mark is, and then install the floor guide.



	Articles	Description
1	Nom	Porte de grange
2	Modèle	42AK
3	Paramètre	Taille de la porte : 42 x 84 pouces. Matériau : bois.

Adresse : Baoshanqu Shuangchenglu 803long 11hao 1602A-1609shi Shanghai
Importé en Australie : SIHAO PTY LTD. 1 ROKEVA STREETASTWOOD NSW
2122 Australie

Importé aux États-Unis : Sanven Technology Ltd. Suite 250, 9166 Anaheim
Place, Rancho Cucamonga, CA 91730



SHUNSHUN GmbH
Römeräcker 9 Z2021, 76351
Linkenheim-Hochstetten, Germany



Pooledas Group Ltd
Unit 5 Albert Edward House, The
Pavilions Preston, United Kingdom

Fabriqué en Chine

VEVOR[®]

TOUGH TOOLS, HALF PRICE

Assistance technique et certificat de garantie électronique

www.vevor.com/support

VEVOR[®]

TOUGH TOOLS, HALF PRICE

Technische ondersteuning en e-garantiecertificaat www.vevor.com/support

SCHUURDEUR HANDLEIDING

We continue to be committed to provide you tools with competitive price.

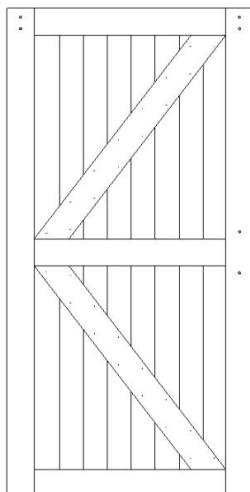
"Save Half", "Half Price" or any other similar expressions used by us only represents an estimate of savings you might benefit from buying certain tools with us compared to the major top brands and does not necessarily mean to cover all categories of tools offered by us. You are kindly reminded to verify carefully when you are placing an order with us if you are actually saving half in comparison with the top major brands.

VEVOR®

TOUGH TOOLS, HALF PRICE

BARN DOOR

MODEL: 42AK



(De afbeelding is alleen ter referentie, raadpleeg het werkelijke object)

NEED HELP? CONTACT US!

Have product questions? Need technical support? Please feel free to contact us:

Technical Support and E-Warranty Certificate
www.vevor.com/support

This is the original instruction, please read all manual instructions carefully before operating. VEVOR reserves a clear interpretation of our user manual. The appearance of the product shall be subject to the product you received. Please forgive us that we won't inform you again if there are any technology or software updates on our product.

SAFETY INSTRUCTION AND PRECAUTIONS



WAARSCHUWING:

Lees dit materiaal voordat u dit product gebruikt. Als u dit niet doet, kan dit leiden tot ernstig letsel.

25. Dit product is geen speelgoed. Laat kinderen niet met dit artikel spelen.

26. Alleen gebruiken zoals bedoeld.

27. **Veiligheid op de werkplek:** Houd de werkplek schoon en helder. Chaos en donkere plekken kunnen ongelukken veroorzaken.

28. Gebruik veiligheidsvoorzieningen. Draag altijd een veiligheidsbril. Veiligheidsvoorzieningen, zoals stofmaskers onder geschikte omstandigheden, antislipveiligheidsschoenen, helmen, gehoorbescherming en andere apparaten kunnen persoonlijk letsel verminderen.

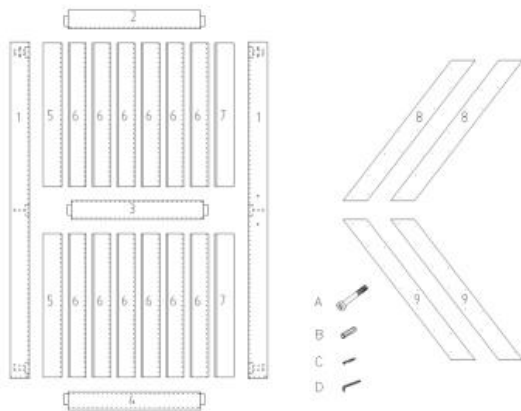
5. Kleed je goed. Draag geen losse kleding en draag geen sieraden. Houd uw haar, kleding en mouwen uit de buurt van bewegende delen. Losse kleding, sieraden of lang haar kunnen in bewegende delen terechtkomen.

OPERATION AS BELOW

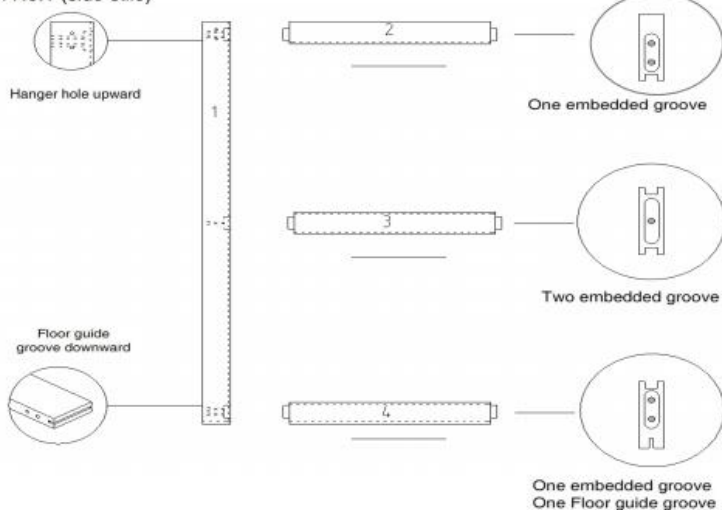
42"x84" Barn Door Installation Instruction

Package List

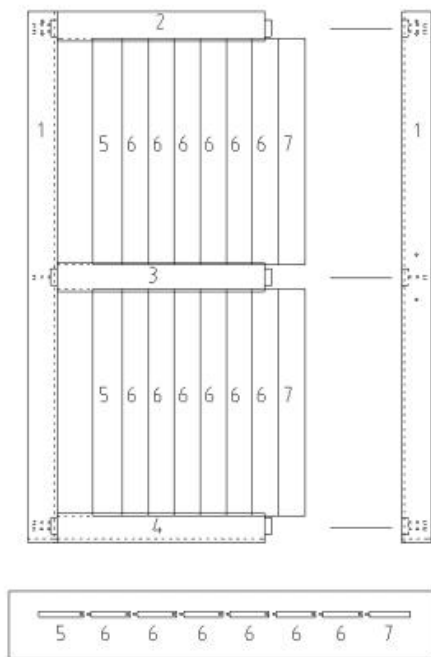
No.	Name	Quantity
1	Side Stile	2
2	Top Rail	1
3	Middle Rail	1
4	Bottom Rail	1
5	Left Side Slat	2
6	Middle Slat	6
7	Right Side Slat	2
8	Diagonal Plank	2
9	Diagonal Plank	2
A	2-3/4" Lag Bolts	10
B	Wood Plug	10
C	13/16" Lag Bolts	56
D	Hexagonal wrench	1



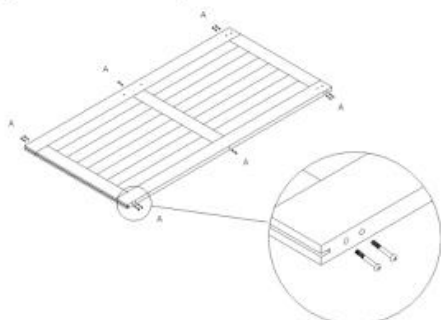
Step 1. Assemble on clean and flat ground, find the No.1 (side stile) and let the grooved side face to the right, find the No.2 (top rail), No.3 (middle rail), No.4 (bottom rail) to put into the groove of No.1 (side stile)



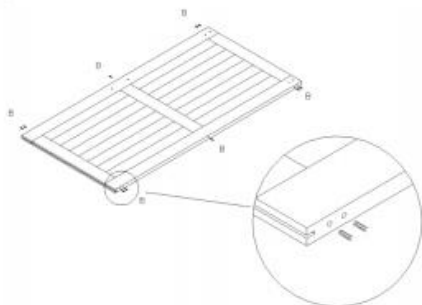
Step 2. Find the 2 pcs of No.5 (left side slat) insert into No.1 (left side stile), then insert 6 pcs of No.6 (middle slat) one by one and insert 2 pcs of No.7 (right side slat) to No.6, finally assemble another No.1 (right side stile)



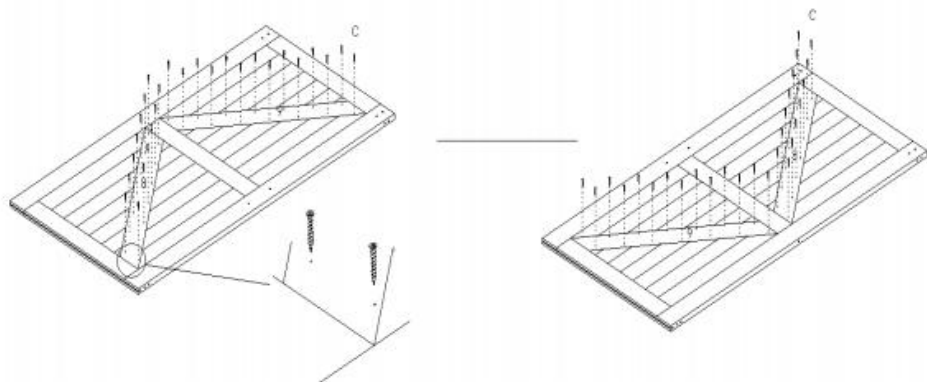
Step 3. Insert the 10 pcs of A (2-3/4" lag bolts) into No. 1 (left side stile and right side stile) and tighten them securely



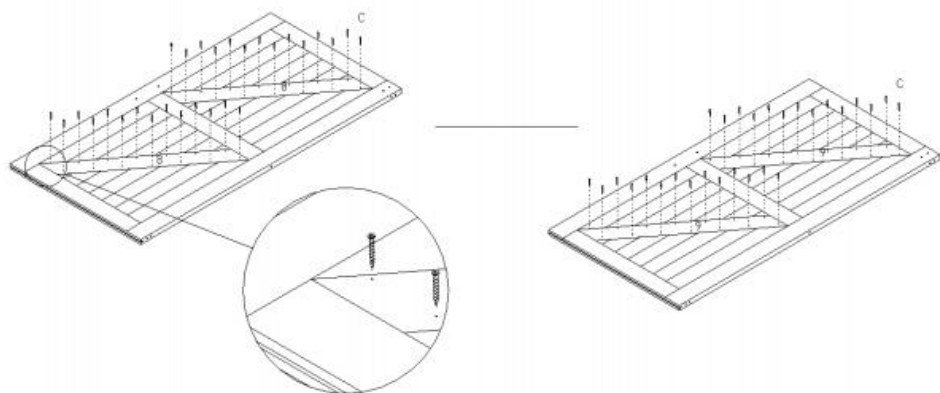
Step 4. Insert the 10 pcs of B (wood plug) into all holes of No. 1 (left side stile and right side stile)



Step 5. Install the No. 8 (diagonal overlay) and No. 9 (diagonal overlay) using C (13/16" lag bolts) on the front of door, then turn the door over, install the other side.



You also install this style



⚠ WARNING

- It is recommended to wear protective equipment during installation and transportation to prevent sprain and bruise.
- If the door is not securely installed, it may cause the door to move or fall apart unexpectedly. Please make sure all the screws are in place and tighten before hanging.
- Please note that body parts (such as hair, fingers, etc.) stuck in the moving parts during installation may cause squeezing and serious injury.
- The door is heavy, we recommend 2 people for this build. Close the door carefully and do not get caught, such as fingers and babies. Improper handling may cause loss of balance and serious injury.

⚠ ABOUT SOLID WOOD DOORS

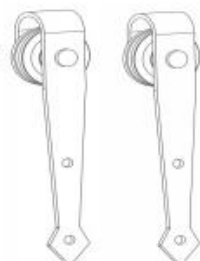
- The slab belongs to natural wood, it is likely to deform and expand slightly when exposed to moisture, it is a normal natural phenomenon, please keep away from the humid environment.
- In the production process we have sanded the edges of the slabs, but it is still possible to get some burrs. You can use the included sandpaper to smooth it, It is not a product defect.
- Natural wood itself contains nodules, which are not adjustable and controllable, It is not a product defect or quality problem
- It is recommended that you paint the slab after installation, which can prevent the door from moisture and scratches, while extending the service life of the product.

Product Content

1.1, 2XRail



2.1, 2XHanger



2.2, 4XLong Door Screw



3.1, 5XWall Spacer



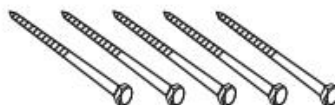
3.2, 5XAnchor

(For concrete wall)

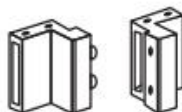


3.3, 5XLag Bolt

(For wood stud)



4.1, 2XDoor Stopper



4.2, 1XHex Key



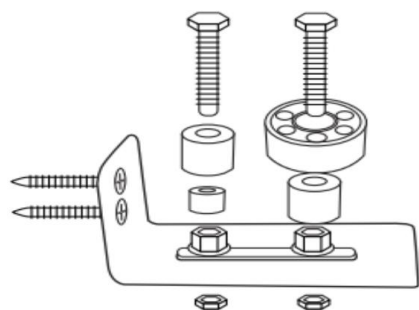
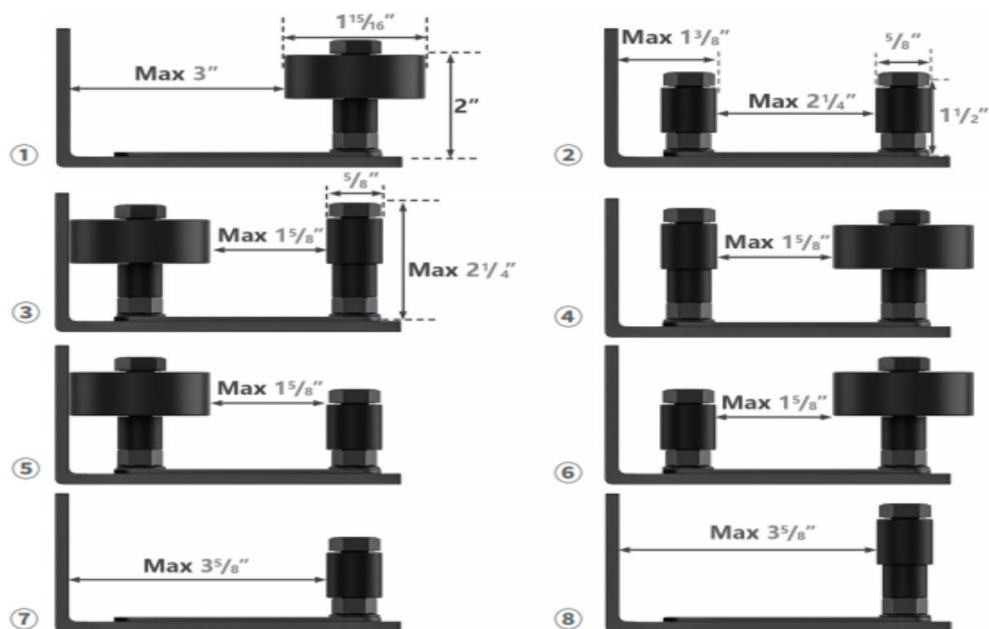
4.3, 2XRubber End



4.4, 1XFloor Guide



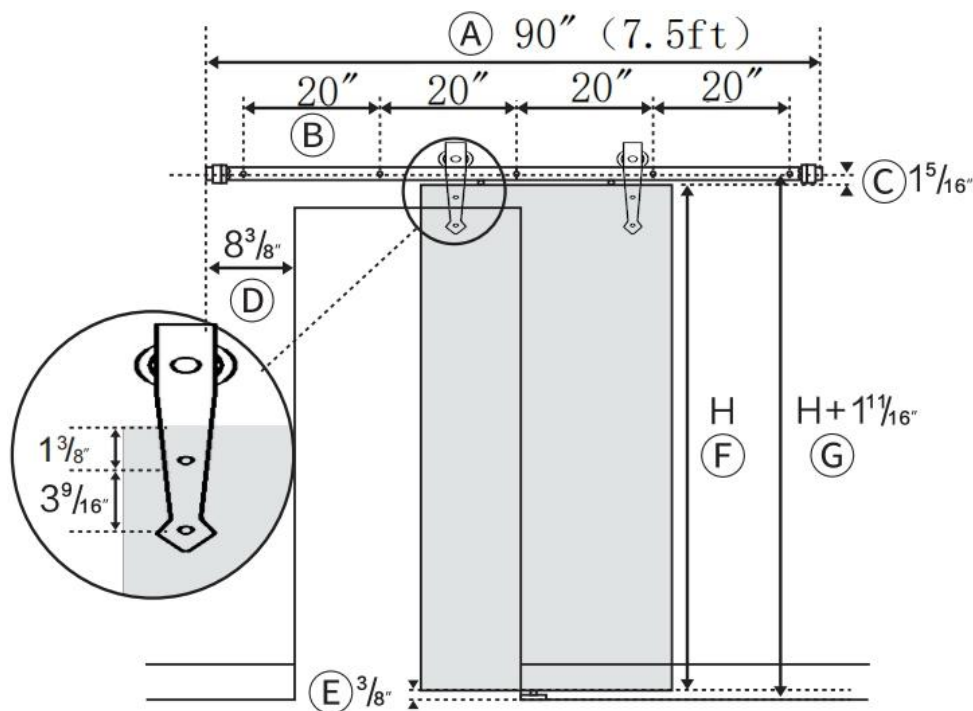
Ground guide rail installation



Notice:

The big roller and 2 small rollers can be separately install/take out from the floor guide. You can freely choose the setups you like to fit your doors. These rollers are UNNECESSARY to always be installed together.

Measurements



A. Over rail length is 90".

B. The gap between each pre-drilled hole is 20".

C. Distance from door top side to holes on the wall is 1 5/16".

D. End of the rail is 8 3/8" away from the entrance of the door.

E. Distance from the bottom of the door is 3/8".

F. Door height is H.

G. The height of holes on the wall is H + 1 1/16".

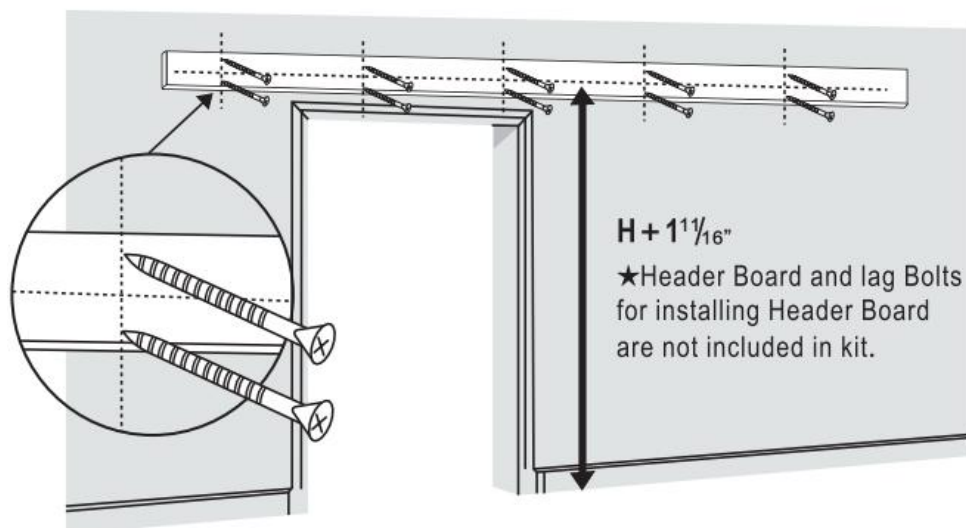
Instructions

It is very important determine whether you will be installing a Header Board prior to installing the track.

Due to many overlapping factors such as the location of wall studs (Our rail come with pre-drilled holes every 16" on center), the weight of a barn door and the various types of trim used in homes , we recommend using a Header Board in all situations.

Please install a 1"x 4" or 1"x 6" Header Board above the door opening directly into studs.

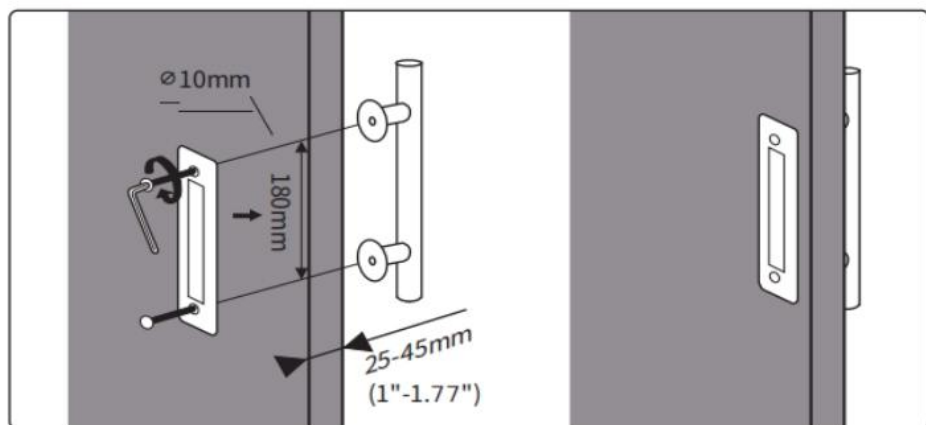
Header Board must be solid wood and measure at least the full length of the track or longer.



Installation steps

Step 1: Drill holes at the desired location.

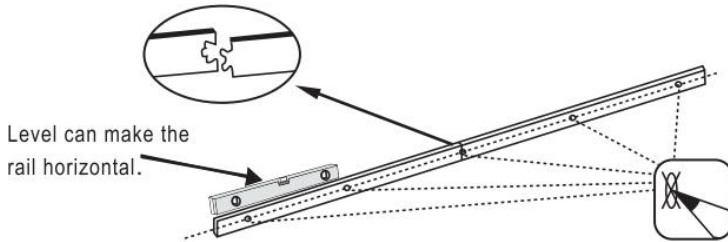
Step 2: Place the pull handle and flush finger pull to the holes (sandwich the door) and use the L wrench and screws to mount the pull handle and the flush.



Tips: Please choose the screws according to the thickness of your door.

01

Place the rail against the wall ,and use a pencil to mark whether the holes should be.
Mark sure the height of holes on the wall is $H + 1\ 11/16''$.

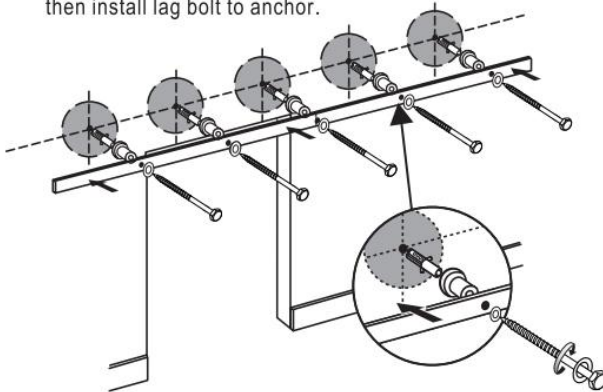


02

We provide 2 kinds of screws for you to install rail onto concrete wall or drywall.

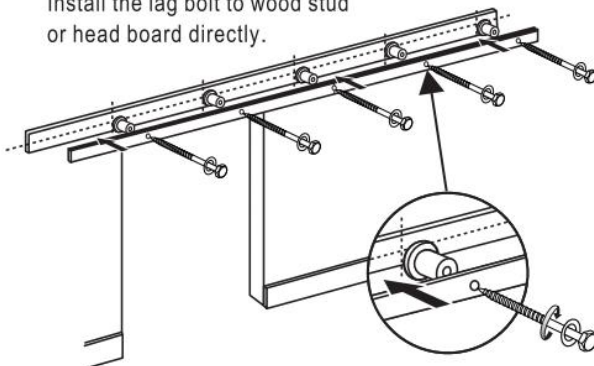
(A) Concrete wall installation.

Install the anchor to holes on the concrete wall first ,
then install lag bolt to anchor.



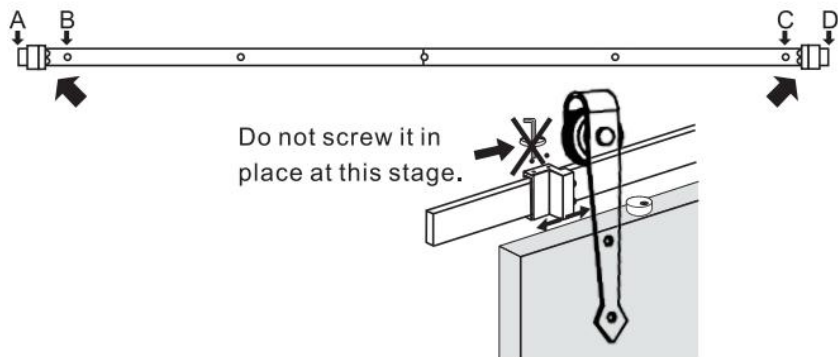
(B) Drywall installation.

Install the lag bolt to wood stud
or head board directly.

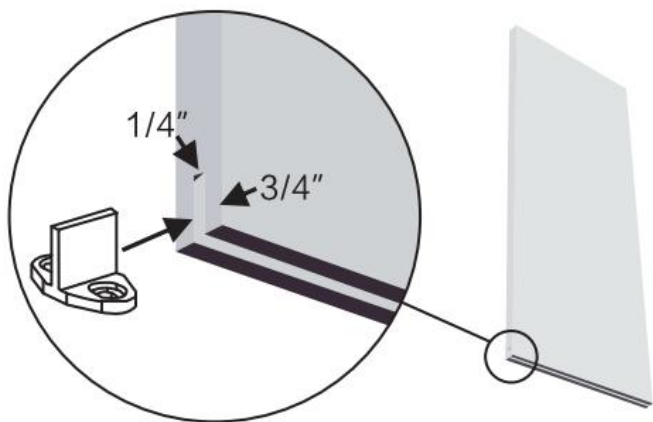


03

Insert door stoppers into rail , install door stoppers between A-B and C-D. Door stopper is used to prevent the hangers coming out of the rail.

**04**

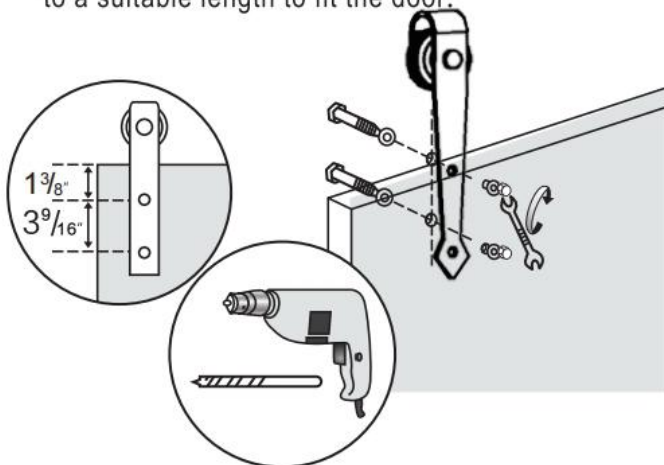
Use router or circular saw to create a kerf at bottom of the door, along the center to allow the tip of the T-shaped floor guide to fit in between, to keep your door stable and prevent the door bottom swinging back and forth when you slide it open and closed.



05

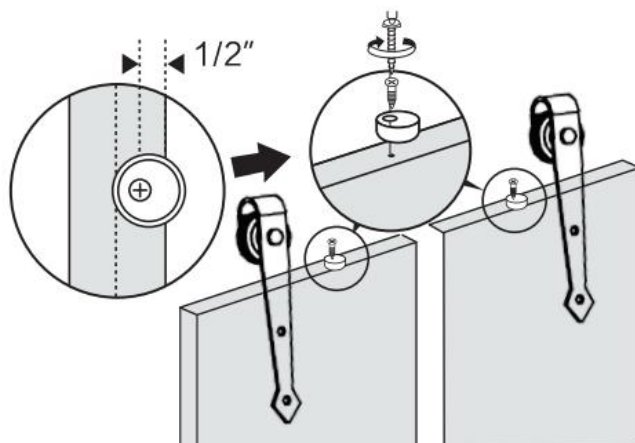
Install the hangers onto the door according to the measurement in the pictures below.

Maximum door thickness is $1\frac{3}{4}$ " , please add some bolt washers or cut the long door bolts to a suitable length to fit the door.



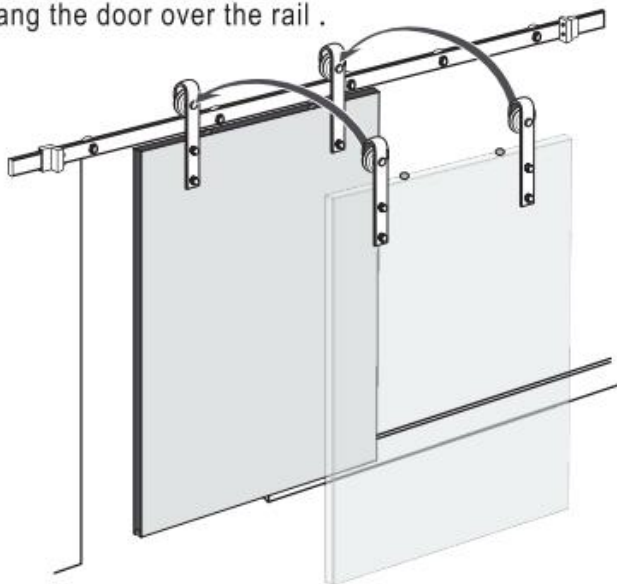
06

The rubber ends are used to protect the door from touching the rail when sliding the door. You need to drill holes on the door top side , please drill the holes $\frac{1}{2}$ " away from the edge of the door. Then install the rubber ends on the door.



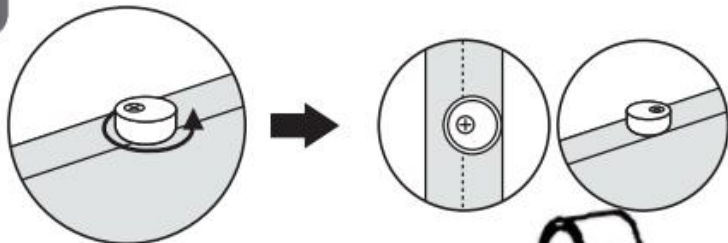
07

Hang the door over the rail .



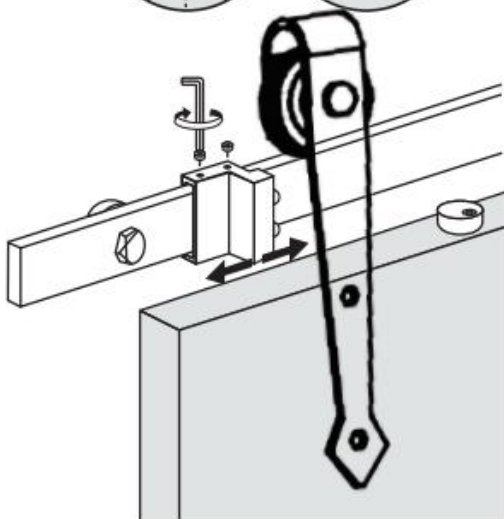
08

Turn the rubber ends approximately 180 degrees so that they are stuck between the door and the rail.



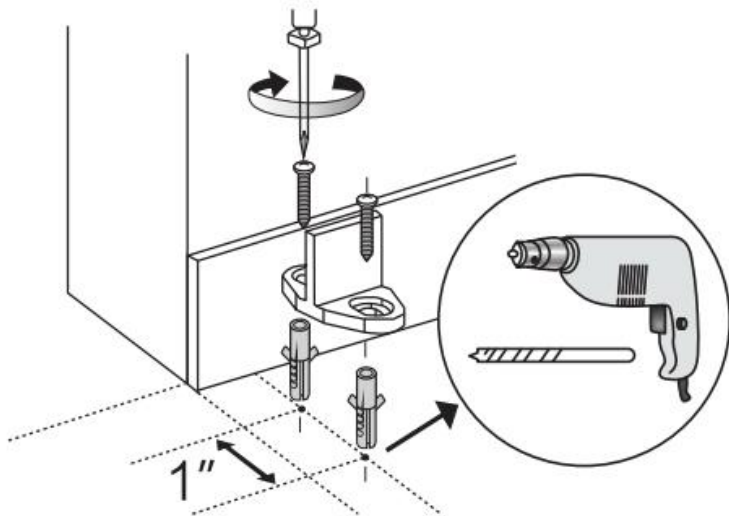
09

Adjust the 2 door stoppers to find a suitable position , use the hex key to screw the door stoppers in place.



10

Install the floor guide. Put floor guide on the floor first to fix a suitable position and make a mark so that the tip of the floor guide can work well in the slot. Use suitable drill bit to drill holes on the floor where the mark is, and then install the floor guide.



	Artikelen	Beschrijving
1	Naam	Schuurdeur
2	Model	42AK
3	Parameter	Deurmaat: 42x84 inch Materiaal: hout

Adres: Baoshanqu Shuangchenglu 803long 11hao 1602A-1609shi Shanghai

Geïmporteerd naar AUS: SIHAO PTY LTD. 1 ROKEVA STREETEASTWOOD
NSW 2122 Australië

Geïmporteerd naar de VS: Sanven Technology Ltd. Suite 250, 9166 Anaheim
Place, Rancho Cucamonga, CA 91730



SHUNSHUN GmbH
Römeräcker 9 Z2021, 76351
Linkenheim-Hochstetten, Germany



Pooledas Group Ltd
Unit 5 Albert Edward House, The
Pavilions Preston, United Kingdom

Gemaakt in China

VEVOR[®]

TOUGH TOOLS, HALF PRICE

Technische ondersteuning en e-garantiecertificaat

www.vevor.com/support

VEVOR[®]

TOUGH TOOLS, HALF PRICE

Teknisk support och e-garanticertifikat www.vevor.com/support

LADUGÅRDSDÖRR ANVÄNDARMANUAL

We continue to be committed to provide you tools with competitive price.

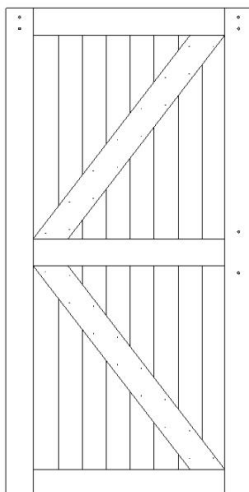
"Save Half", "Half Price" or any other similar expressions used by us only represents an estimate of savings you might benefit from buying certain tools with us compared to the major top brands and does not necessarily mean to cover all categories of tools offered by us. You are kindly reminded to verify carefully when you are placing an order with us if you are actually saving half in comparison with the top major brands.

VEVOR®

TOUGH TOOLS, HALF PRICE

BARN DOOR

MODELL: 42AK



(Bilden är endast för referens, se det faktiska objektet)

NEED HELP? CONTACT US!

Have product questions? Need technical support? Please feel free to contact us:

Technical Support and E-Warranty Certificate
www.vevor.com/support

This is the original instruction, please read all manual instructions carefully before operating. VEVOR reserves a clear interpretation of our user manual. The appearance of the product shall be subject to the product you received. Please forgive us that we won't inform you again if there are any technology or software updates on our product.

SAFETY INSTRUCTION AND PRECAUTIONS



WARNING:

Läs detta material innan du använder denna produkt. Underlåtenhet att göra det kan resultera i allvarliga skador.

29. Denna produkt är inte en leksak. Tillåt inte barn att leka med detta föremål.

30. Använd endast som avsett.

31. **Säkerhet på arbetsplatsen:** Håll arbetsplatsen ren och ljus. Kaos och mörka platser kan orsaka en olycka.

32. Använd säkerhetsanordningar. Använd alltid skyddsglasögon. Säkerhetsanordningar, såsom dammmasker under lämpliga förhållanden, halkfria skyddsskor, hjälmar, hörselskydd och andra anordningar kan minska personskador.

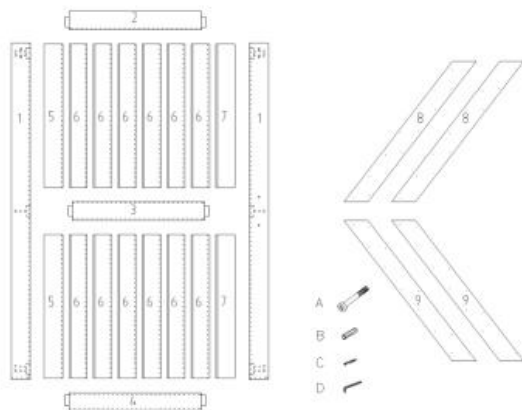
5. Klä dig ordentligt. Bär inte löst sittande kläder eller bär smycken. Håll ditt hår, kläder och armar borta från rörliga delar. Lösa kläder, prydnadsföremål eller långt hår kan vara inblandade i rörliga delar.

OPERATION AS BELOW

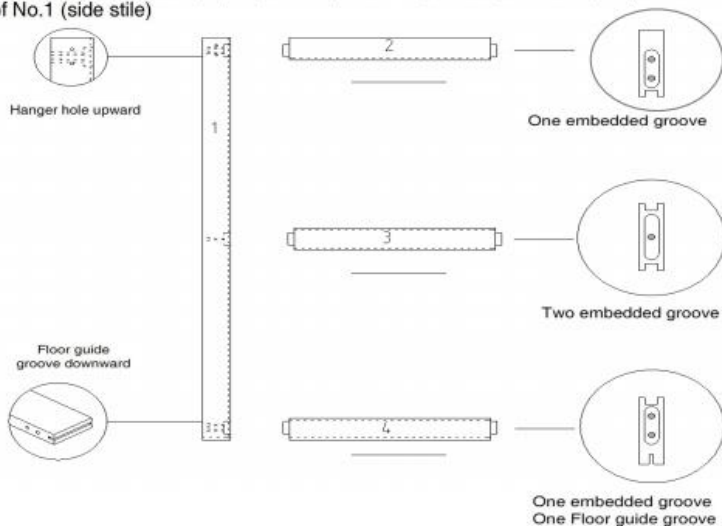
42"x84" Barn Door Installation Instruction

Package List

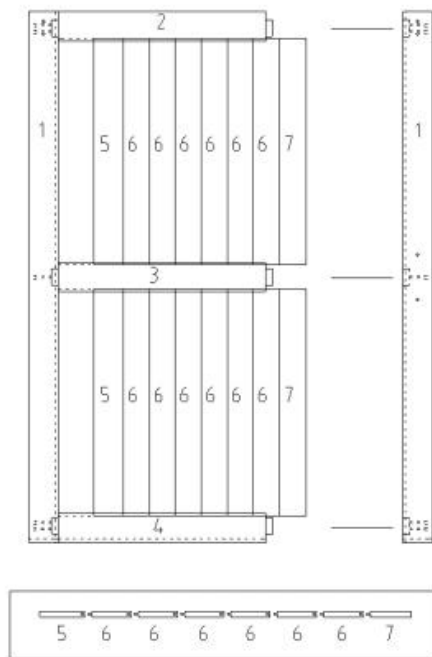
No.	Name	Quantity
1	Side Stile	2
2	Top Rail	1
3	Middle Rail	1
4	Bottom Rail	1
5	Left Side Slat	2
6	Middle Slat	6
7	Right Side Slat	2
8	Diagonal Plank	2
9	Diagonal Plank	2
A	2-3/4" Lag Bolts	10
B	Wood Plug	10
C	13/16" Lag Bolts	56
D	Hexagonal wrench	1



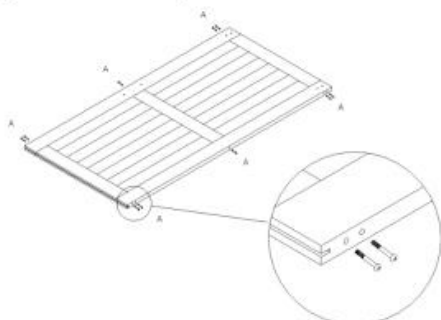
Step 1. Assemble on clean and flat ground, find the No.1 (side stile) and let the grooved side face to the right, find the No.2 (top rail), No.3 (middle rail) , No.4 (bottom rail) to put into the groove of No.1 (side stile)



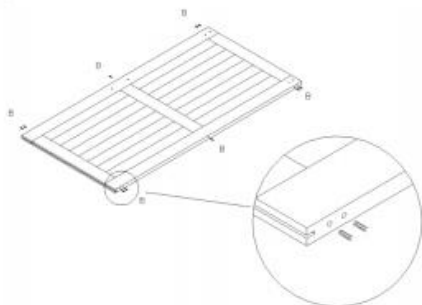
Step 2. Find the 2 pcs of No.5 (left side slat) insert into No.1 (left side stile), then insert 6 pcs of No.6 (middle slat) one by one and insert 2 pcs of No.7 (right side slat) to No.6, finally assemble another No.1 (right side stile)



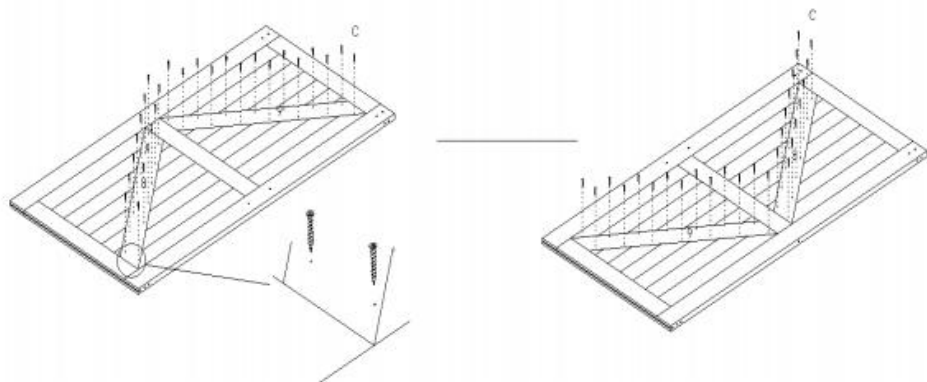
Step 3. Insert the 10 pcs of A (2-3/4" lag bolts) into No. 1 (left side stile and right side stile) and tighten them securely



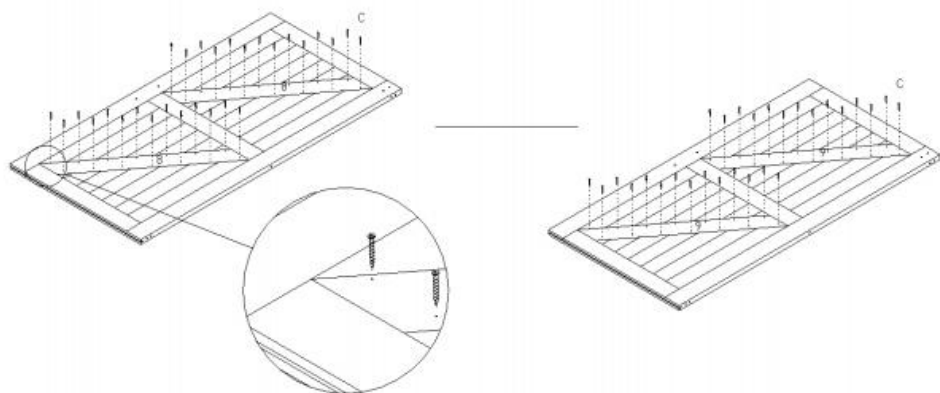
Step 4. Insert the 10 pcs of B (wood plug) into all holes of No. 1 (left side stile and right side stile)



Step 5. Install the No. 8 (diagonal overlay) and No. 9 (diagonal overlay) using C (13/16" lag bolts) on the front of door, then turn the door over, install the other side.



You also install this style



⚠ WARNING

- It is recommended to wear protective equipment during installation and transportation to prevent sprain and bruise.
- If the door is not securely installed, it may cause the door to move or fall apart unexpectedly. Please make sure all the screws are in place and tighten before hanging.
- Please note that body parts (such as hair, fingers, etc.) stuck in the moving parts during installation may cause squeezing and serious injury.
- The door is heavy, we recommend 2 people for this build. Close the door carefully and do not get caught, such as fingers and babies. Improper handling may cause loss of balance and serious injury.

⚠ ABOUT SOLID WOOD DOORS

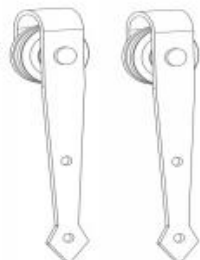
- The slab belongs to natural wood, it is likely to deform and expand slightly when exposed to moisture, it is a normal natural phenomenon, please keep away from the humid environment.
- In the production process we have sanded the edges of the slabs, but it is still possible to get some burrs. You can use the included sandpaper to smooth it, It is not a product defect.
- Natural wood itself contains nodules, which are not adjustable and controllable, It is not a product defect or quality problem
- It is recommended that you paint the slab after installation, which can prevent the door from moisture and scratches, while extending the service life of the product.

Product Content

1.1, 2XRail



2.1, 2XHanger



2.2, 4XLong Door Screw



3.1, 5XWall Spacer



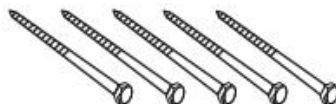
3.2, 5XAnchor

(For concrete wall)

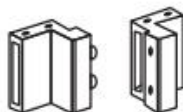


3.3, 5XLag Bolt

(For wood stud)



4.1, 2XDoor Stopper



4.2, 1XHex Key



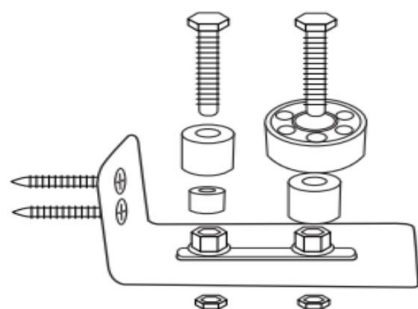
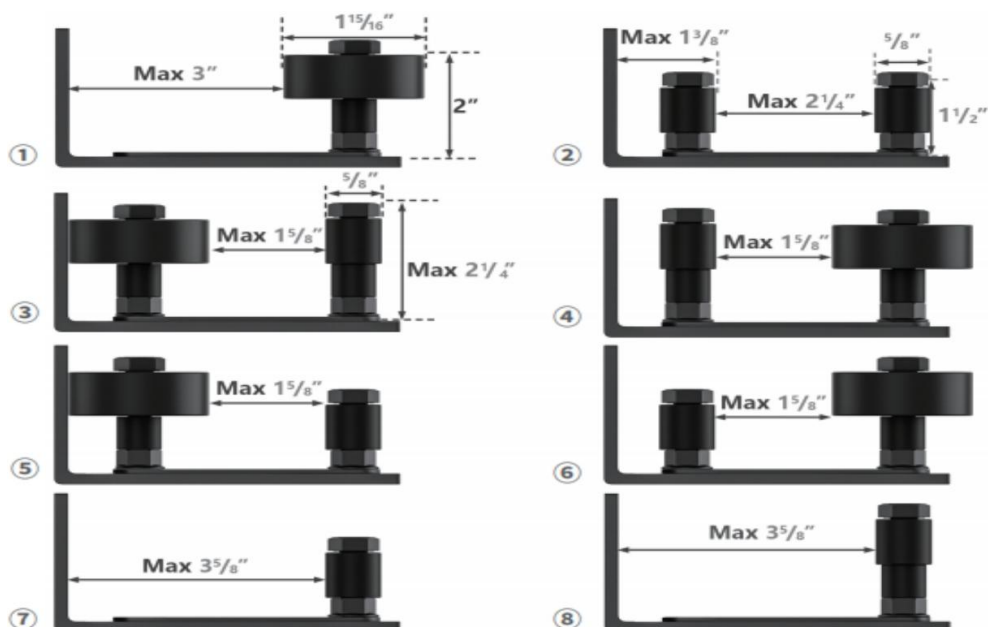
4.3, 2XRubber End



4.4, 1XFloor Guide



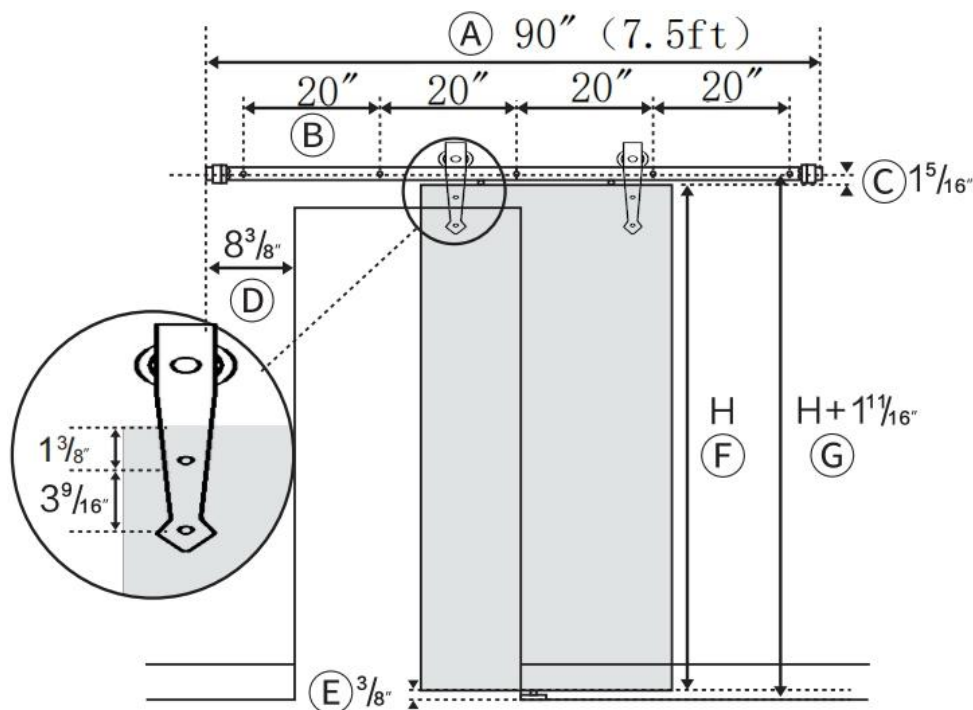
Ground guide rail installation



Notice:

The big roller and 2 small rollers can be separately install/take out from the floor guide. You can freely choose the setups you like to fit your doors. These rollers are UNNECESSARY to always be installed together.

Measurements



A. Over rail length is 90".

B. The gap between each pre-drilled hole is 20".

C. Distance from door top side to holes on the wall is 1 5/16".

D. End of the rail is 8 3/8" away from the entrance of the door.

E. Distance from the bottom of the door is 3/8".

F. Door height is H.

G. The height of holes on the wall is H + 1 1/16".

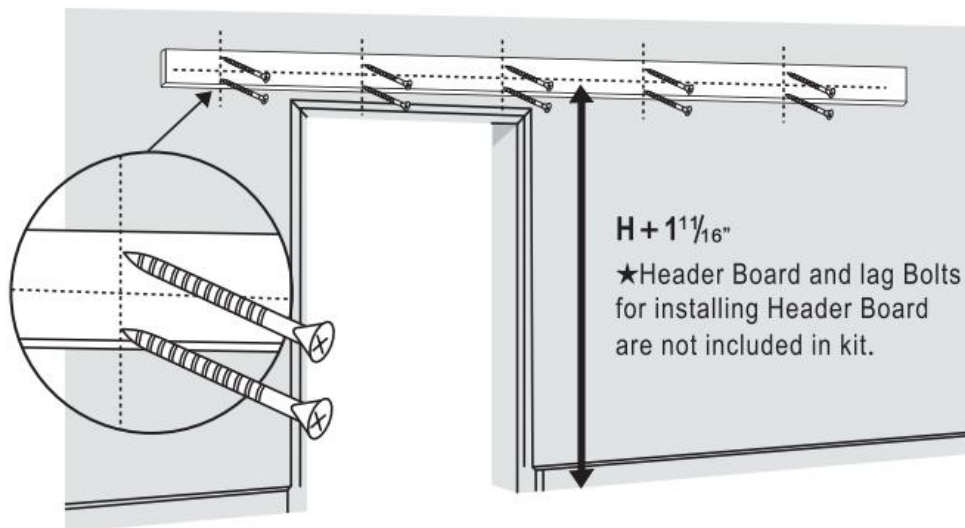
Instructions

It is very important determine whether you will be installing a Header Board prior to installing the track.

Due to many overlapping factors such as the location of wall studs (Our rail come with pre-drilled holes every 16" on center), the weight of a barn door and the various types of trim used in homes , we recommend using a Header Board in all situations.

Please install a 1"x 4" or 1"x 6" Header Board above the door opening directly into studs.

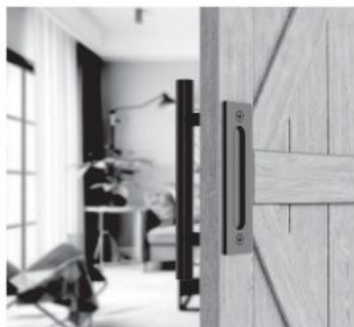
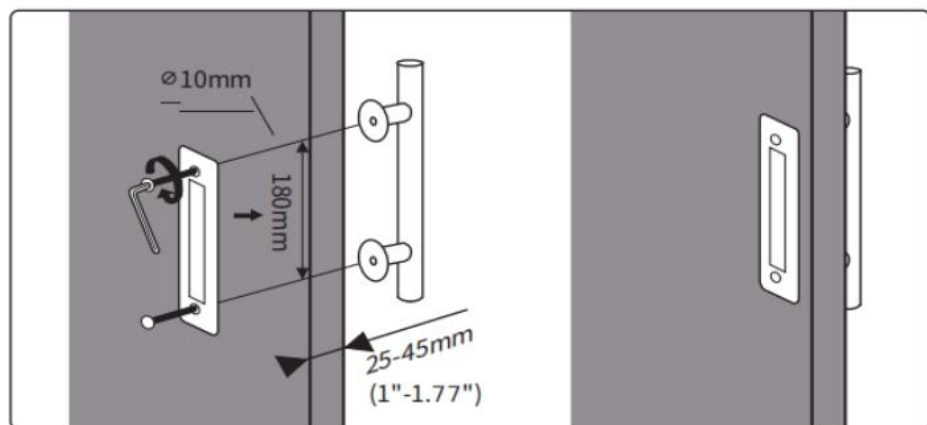
Header Board must be solid wood and measure at least the full length of the track or longer.



Installation steps

Step 1: Drill holes at the desired location.

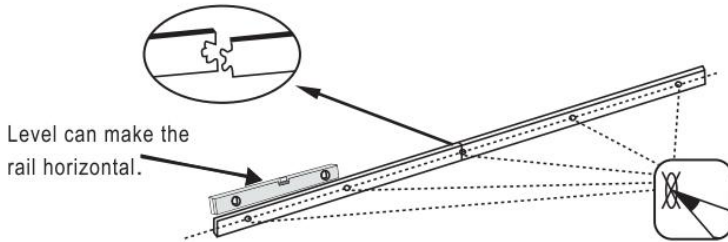
Step 2: Place the pull handle and flush finger pull to the holes (sandwich the door) and use the L wrench and screws to mount the pull handle and the flush.



Tips: Please choose the screws according to the thickness of your door.

01

Place the rail against the wall ,and use a pencil to mark whether the holes should be.
Mark sure the height of holes on the wall is $H + 1 \frac{11}{16}''$.

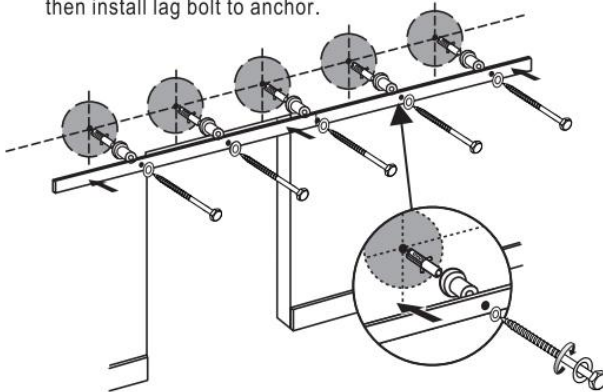


02

We provide 2 kinds of screws for you to install rail onto concrete wall or drywall.

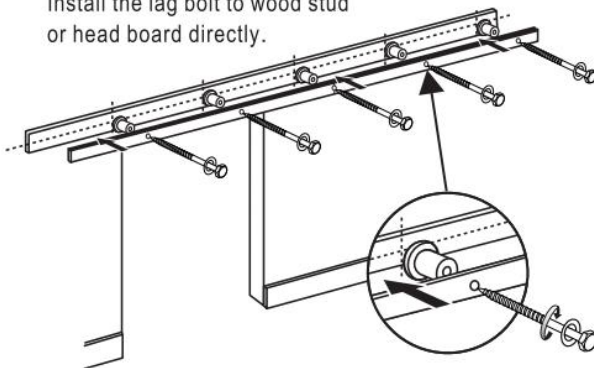
A Concrete wall installation.

Install the anchor to holes on the concrete wall first ,
then install lag bolt to anchor.



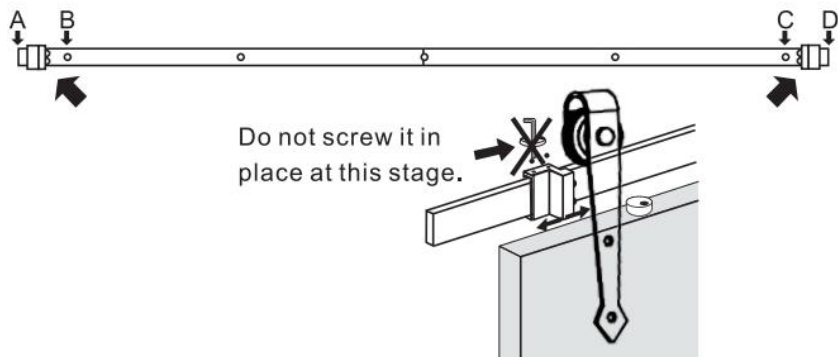
B Drywall installation.

Install the lag bolt to wood stud
or head board directly.

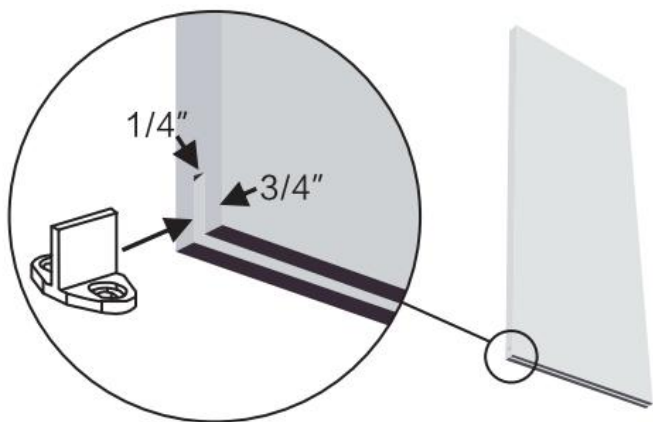


03

Insert door stoppers into rail, install door stoppers between A-B and C-D. Door stopper is used to prevent the hangers coming out of the rail.

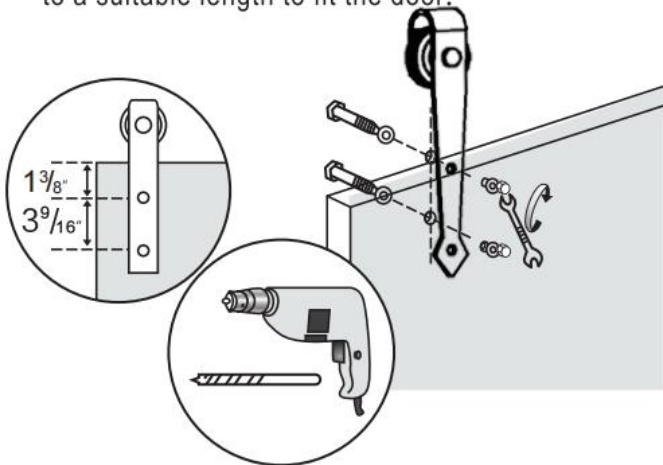
**04**

Use router or circular saw to create a kerf at bottom of the door, along the center to allow the tip of the T-shaped floor guide to fit in between, to keep your door stable and prevent the door bottom swinging back and forth when you slide it open and closed.



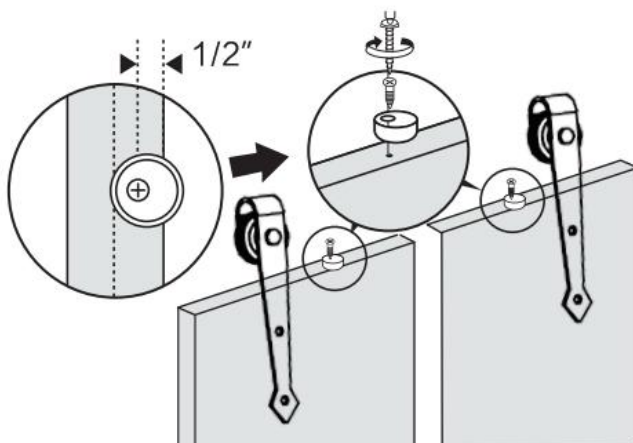
05

Install the hangers onto the door according to the measurement in the pictures below. Maximum door thickness is 1 3/4", please add some bolt washers or cut the long door bolts to a suitable length to fit the door.



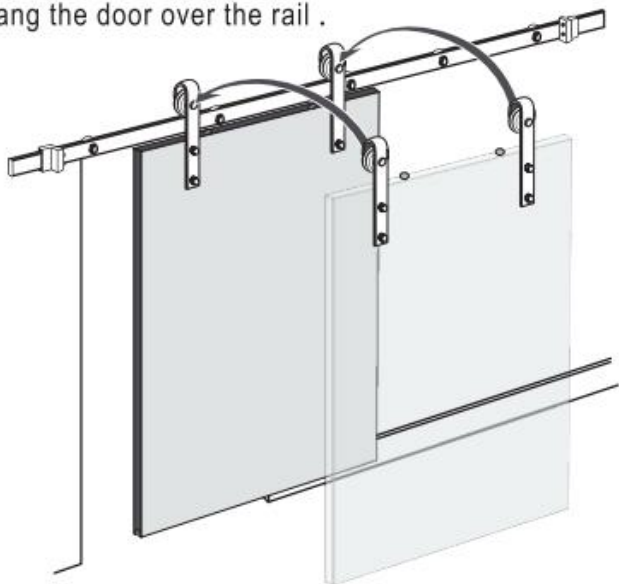
06

The rubber ends are used to protect the door from touching the rail when sliding the door. You need to drill holes on the door top side, please drill the holes 1/2" away from the edge of the door. Then install the rubber ends on the door.



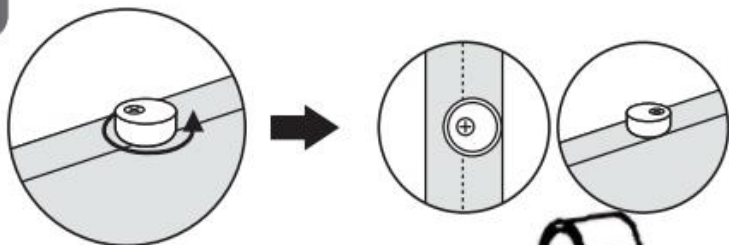
07

Hang the door over the rail .



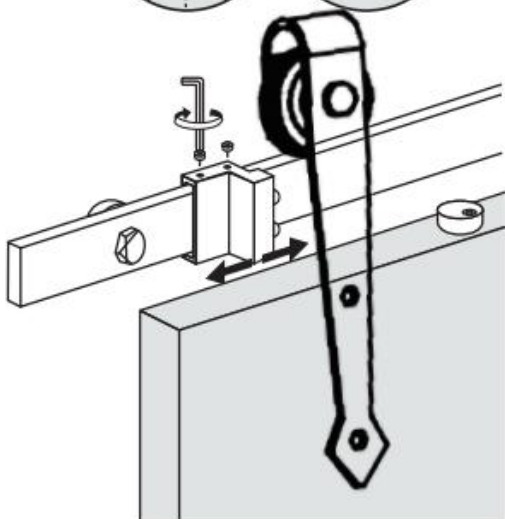
08

Turn the rubber ends approximately 180 degrees so that they are stuck between the door and the rail.



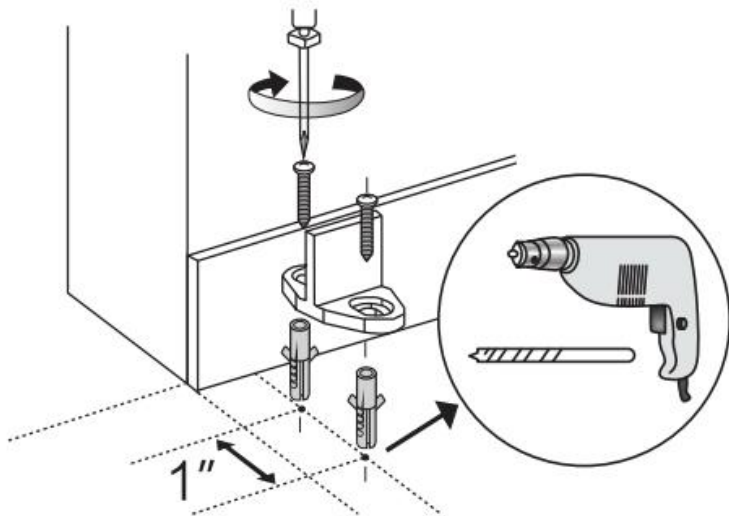
09

Adjust the 2 door stoppers to find a suitable position , use the hex key to screw the door stoppers in place.



10

Install the floor guide. Put floor guide on the floor first to fix a suitable position and make a mark so that the tip of the floor guide can work well in the slot. Use suitable drill bit to drill holes on the floor where the mark is, and then install the floor guide.



	Föremål	Beskrivning
1	namn	Ladugårdsdörr
2	Modell	42AK
3	Parameter	Dörrstorlek:42x84tum Material:trä

Adress: Baoshanqu Shuangchenglu 803long 11hao 1602A-1609shi Shanghai
Importerad till AUS: SIHAO PTY LTD. 1 ROKEVA STREETEASTWOOD NSW
2122 Australien

Importerad till USA: Sanven Technology Ltd. Suite 250, 9166 Anaheim Place,
Rancho Cucamonga, CA 91730



SHUNSHUN GmbH
Römeräcker 9 Z2021, 76351
Linkenheim-Hochstetten, Germany



Pooledas Group Ltd
Unit 5 Albert Edward House, The
Pavilions Preston, United Kingdom

Tillverkad i Kina

VEVOR[®]

TOUGH TOOLS, HALF PRICE

Teknisk support och e-garanticertifikat

www.vevor.com/support