

# **VEVOR<sup>®</sup>**

**TOUGH TOOLS, HALF PRICE**

Technical Support and E-Warranty Certificate [www.vevor.com/support](http://www.vevor.com/support)

## **THROUGH THE WALL DROP BOX**

### **USER MANUAL**

We continue to be committed to provide you tools with competitive price.

"Save Half", "Half Price" or any other similar expressions used by us only represents an estimate of savings you might benefit from buying certain tools with us compared to the major top brands and does not necessarily mean to cover all categories of tools offered by us. You are kindly reminded to verify carefully when you are placing an order with us if you are actually saving half in comparison with the top major brands.



# VEVOR<sup>®</sup>

TOUGH TOOLS, HALF PRICE

THROUGH THE DOOR  
DROP BOX

MA073 black



## NEED HELP? CONTACT US!

Have product questions? Need technical support? Please feel free to contact us:

**Technical Support and E-Warranty Certificate**  
[www.vevor.com/support](http://www.vevor.com/support)

This is the original instruction, please read all manual instructions carefully before operating. VEVOR reserves a clear interpretation of our user manual. The appearance of the product shall be subject to the product you received. Please forgive us that we won't inform you again if there are any technology or software updates on our product.

# Safety precautions

## WARNING:

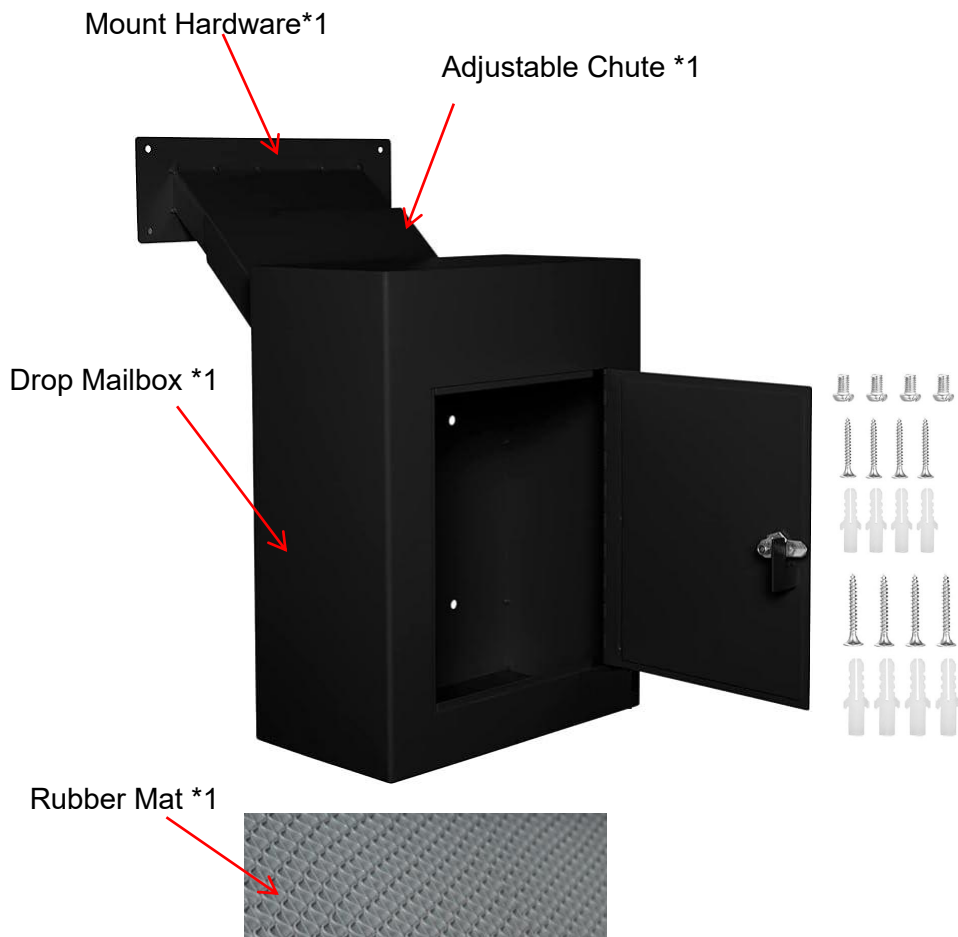
**Read this instructions** before using this product. Failure to do so can result in serious injury. the basic precautions should always be followed,including the following:

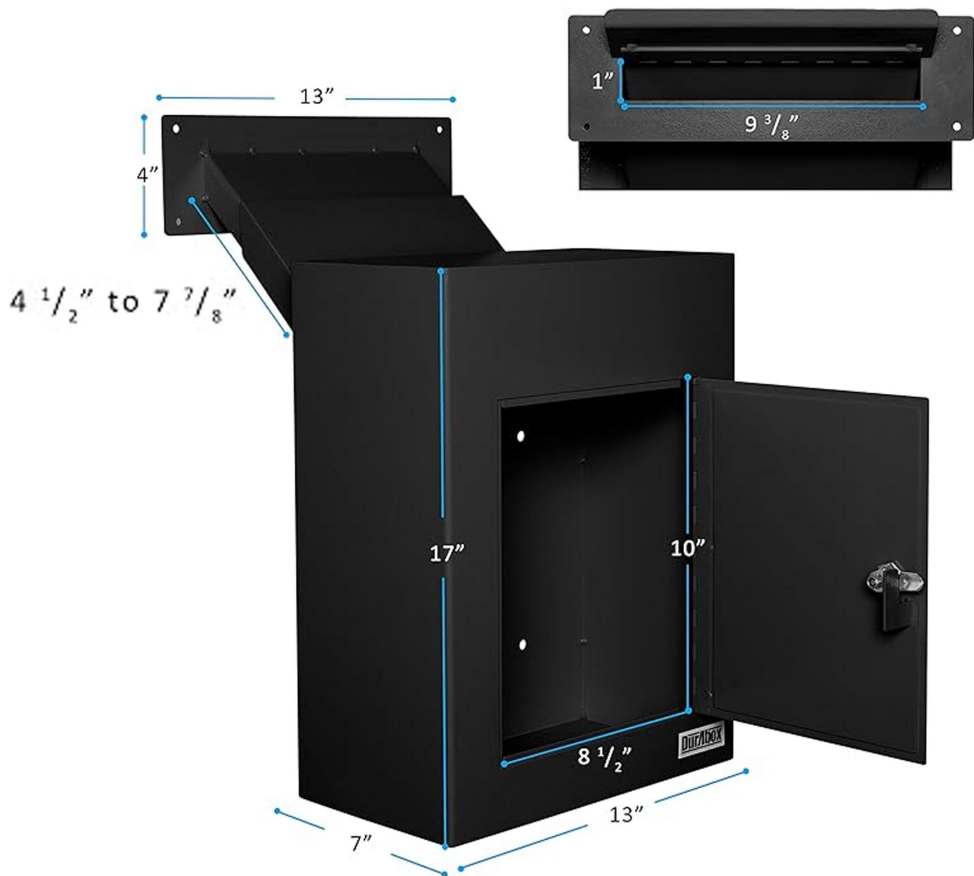
1. The through the wall drop box may not be used or stored in hazardous areas. It is not allowed to use the appliance in hazardous locations.
2. The through the wall drop box must be checked to ensure that it is in proper working order and is operating safely prior to use. Otherwise,the appliance must not be used.
- 3. You must keep your keys or passwords safe from anyone else.**
4. The operator must use the through the wall drop box properly. He must consider the local conditions and must pay attention to third parties,in particular children,when working with the through the wall drop box.
5. This through the wall drop box is not intended for use by persons (including children) with reduced physical,sensory or mental abilities or lacking experience and/or knowledge,unless they are super- vised by a person responsible for their safety or are instructed by these persons on the use of the device. Children should be supervised,to ensure that they do not play with the through the wall drop box.

## SAVE THESE INSTRUCTIONS

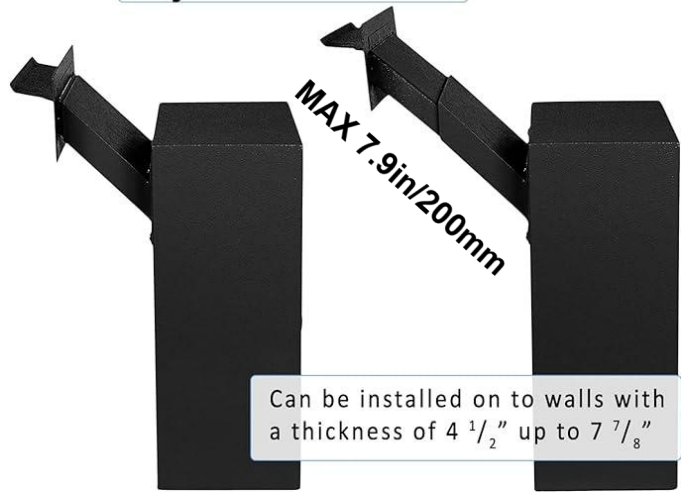
# Product Description

Model	Colour	Size	Delivery port size
MA073 black	Black	13*7*16.9in 330*178*430mm	2.8-7.9in 70-200mm



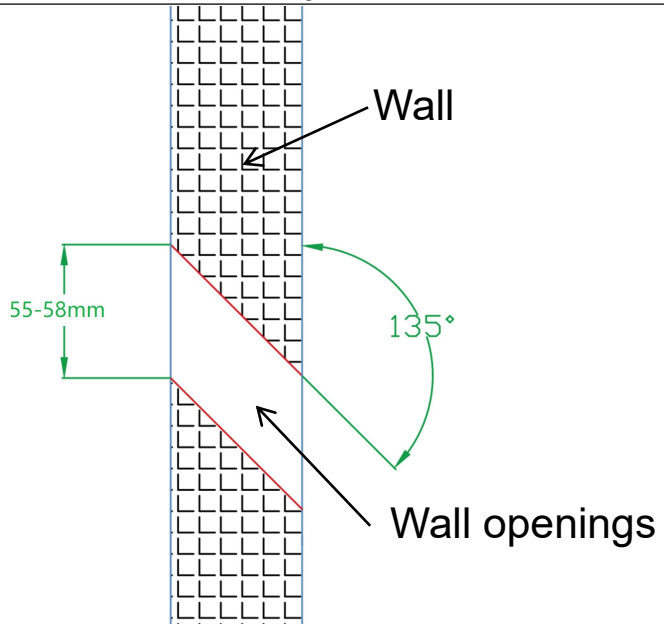


Adjustable Chute

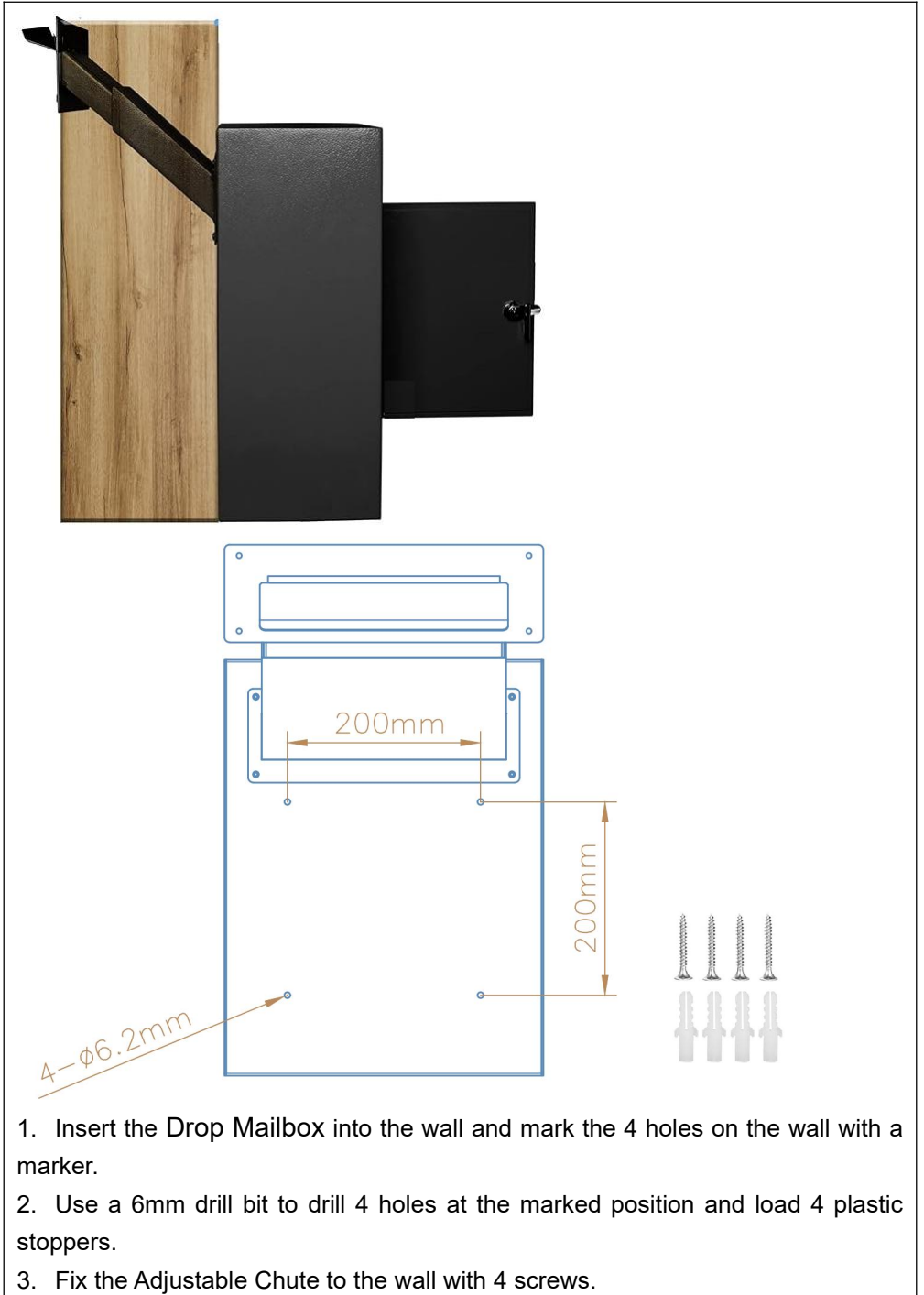




**Secure the Mount Hardware and Drop Mailbox with 4 screws.**

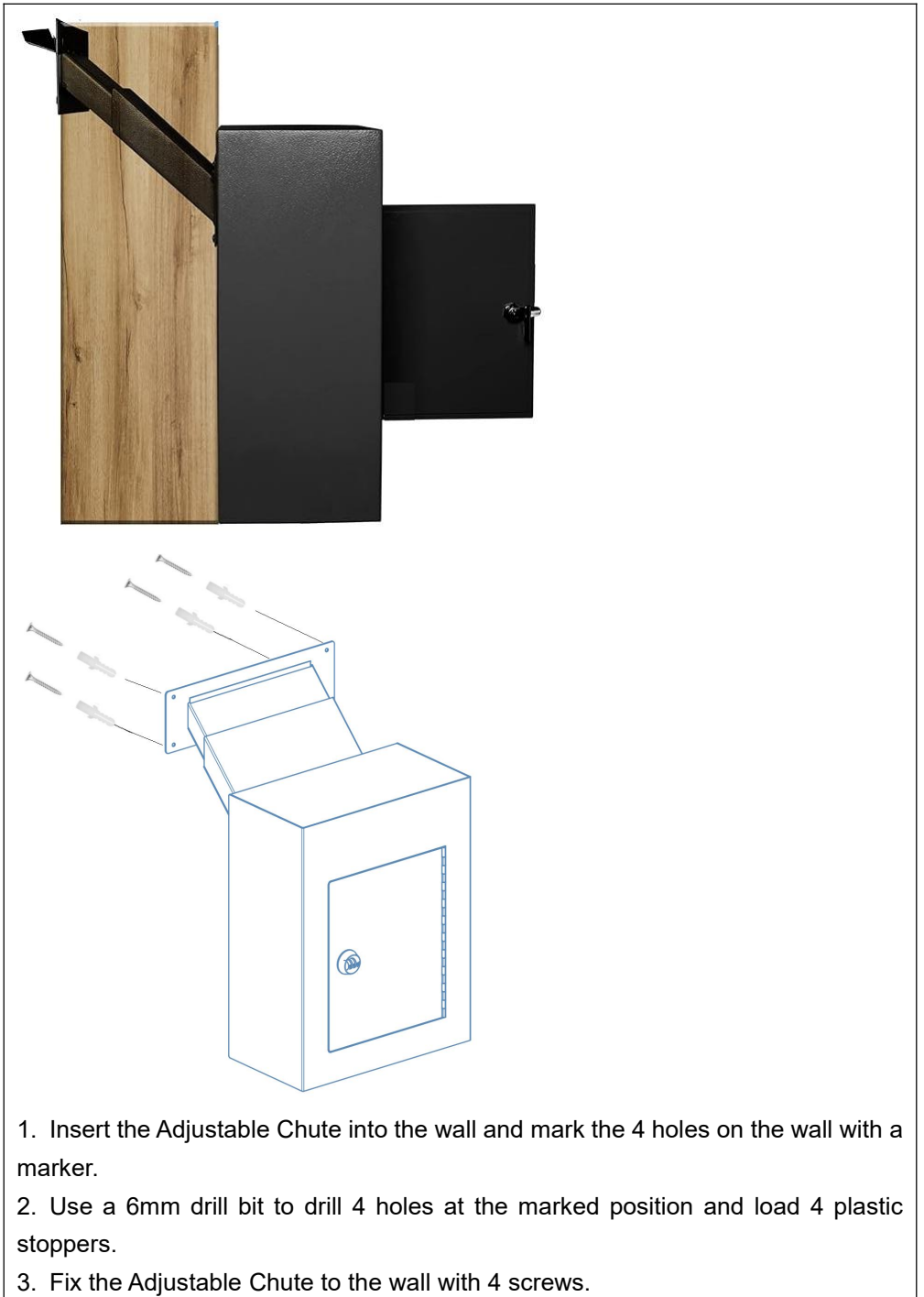


**According to the above drawing size, open the installation hole on the wall.**



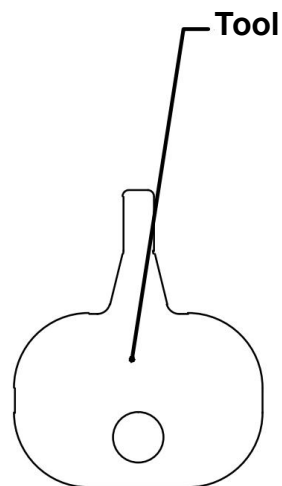
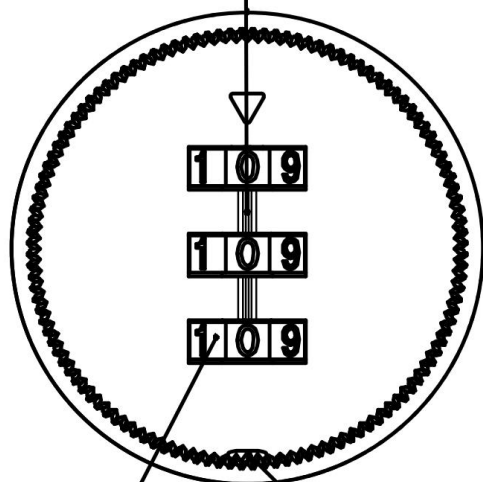
1. Insert the Drop Mailbox into the wall and mark the 4 holes on the wall with a marker.
2. Use a 6mm drill bit to drill 4 holes at the marked position and load 4 plastic stoppers.
3. Fix the Adjustable Chute to the wall with 4 screws.





# Combination Lock Instruction Manual

Alignment line

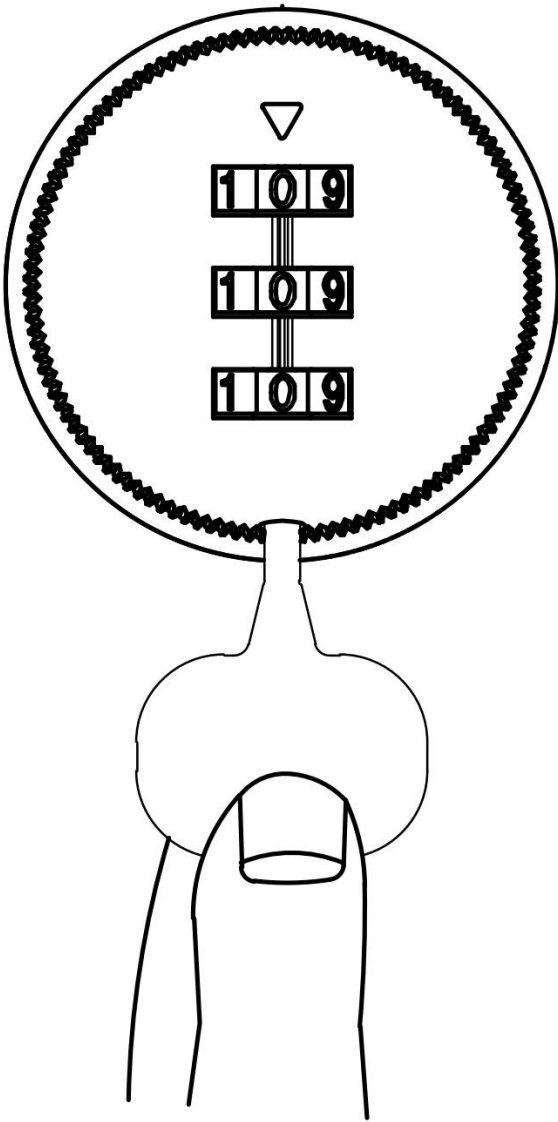


Word wheel

Reset button hole

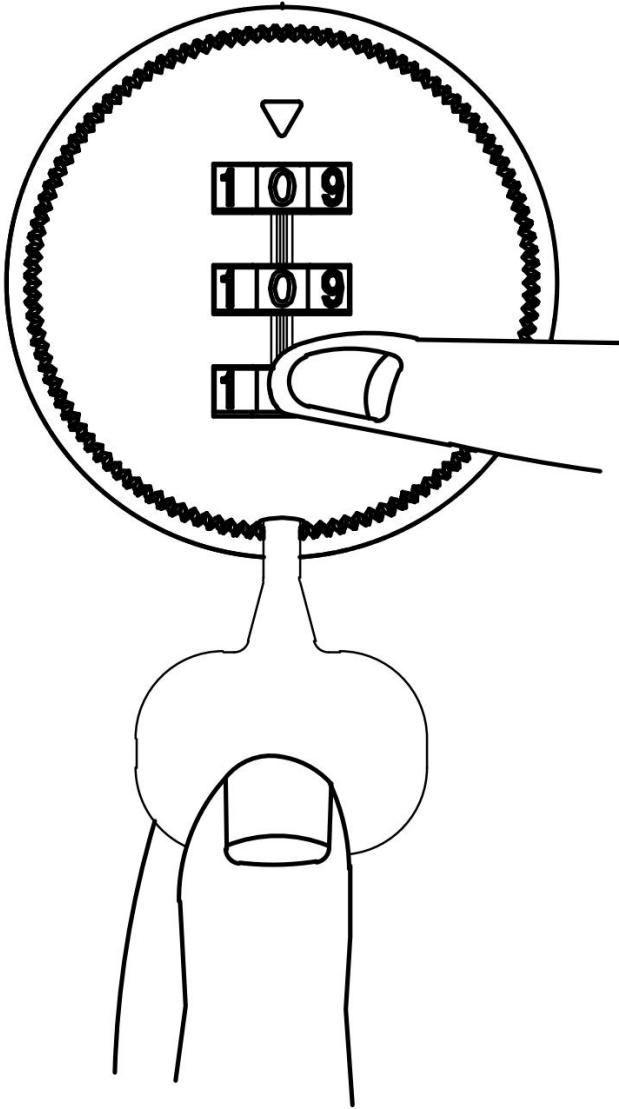
**Step 1**

**Default code 0-0-0**



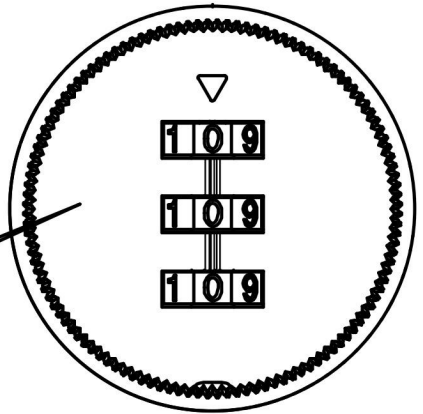
**Step 2**

**Press and hold the button with the tool.**



**Step 3**

**Set new code and release tool.**



-----

**Keep passwords in mind**

**Step 4**  
**Record new code.**

**Manufacturer:**Shanghaimuxinmuyeyouxiangongsi

**Address:** Shuangchenglu 803nong11hao1602A-1609shi, baoshanqu, shanghai 200000 CN.

**Imported to AUS:** SIHAO PTY LTD. 1 ROKEVA STREETEASTWOOD NSW 2122 Australia

**Imported to USA:** Sanven Technology Ltd. Suite 250, 9166 Anaheim Place, Rancho Cucamonga, CA 91730

<b>UK</b>	<b>REP</b>
-----------	------------

E-CrossStu GmbH  
Mainzer Landstr.69, 60329 Frankfurt am Main.

<b>EC</b>	<b>REP</b>
-----------	------------

YH CONSULTING LIMITED.  
C/O YH Consulting Limited Office 147, Centurion House,  
London Road, Staines-upon-Thames, Surrey, TW18 4AX



**VEVOR<sup>®</sup>**

**TOUGH TOOLS, HALF PRICE**

**Technical Support and E-Warranty Certificate**

**[www.vevor.com/support](http://www.vevor.com/support)**



# **VEVOR<sup>®</sup>**

**TOUGH TOOLS, HALF PRICE**

Tecnico Supporto e certificato di garanzia elettronica [www.vevor.com/support](http://www.vevor.com/support)

## **ATTRAVERSO LA CASSETTA DI SICUREZZA A MURO MANUALE D'USO**

We continue to be committed to provide you tools with competitive price.

"Save Half", "Half Price" or any other similar expressions used by us only represents an estimate of savings you might benefit from buying certain tools with us compared to the major top brands and does not necessarily mean to cover all categories of tools offered by us. You are kindly reminded to verify carefully when you are placing an order with us if you are actually saving half in comparison with the top major brands.



# VEVOR<sup>®</sup>

TOUGH TOOLS, HALF PRICE

THROUGH THE DOOR  
DROP BOX

MA07 3 nero



**NEED HELP? CONTACT US!**

Have product questions? Need technical support? Please feel free to contact us:

**Technical Support and E-Warranty Certificate**  
**[www.vevor.com/support](http://www.vevor.com/support)**

This is the original instruction, please read all manual instructions carefully before operating. VEVOR reserves a clear interpretation of our user manual. The appearance of the product shall be subject to the product you received. Please forgive us that we won't inform you again if there are any technology or software updates on our product.

## Misure di sicurezza

### AVVERTIMENTO:

**Leggere queste istruzioni** prima di utilizzare questo prodotto. In caso contrario si potrebbero causare lesioni gravi. È necessario seguire sempre le precauzioni di base , incluse le seguenti:

6. La cassetta di sicurezza passante a muro non può essere utilizzato o conservato in aree pericolose. Non è consentito utilizzare l'apparecchio in luoghi pericolosi.
7. La cassetta di sicurezza passante a muro deve essere controllato per garantire che sia in buone condizioni di funzionamento e funzioni in sicurezza prima dell'uso. In caso contrario l' apparecchio non deve essere utilizzato.
- 8. Devi tenere le tue chiavi o password al sicuro da chiunque altro.**
9. L'operatore deve utilizzare la cassetta di derivazione passante a muro correttamente. Quando si lavora con la cassetta di derivazione a muro è necessario considerare le condizioni locali e prestare attenzione a terzi , in particolare ai bambini .
10. Questo attraverso la cassetta a muro non è destinato all'uso da parte di persone (compresi i bambini) con ridotte capacità fisiche , sensoriali o mentali o prive di esperienza e/o conoscenza , a meno che non siano supervisionate da una persona responsabile della loro sicurezza o siano istruite da queste persone sull'uso di il dispositivo. I bambini devono essere sorvegliati per assicurarsi che

non giochino con il attraverso la cassetta a muro .

## CONSERVA QUESTE ISTRUZIONI

### Descrizione del prodotto

Modello	Colore	Misurare	Dimensioni della porta di consegna
MA07 3 nero	Nero	13*7*16,9 pollici 330*178*430mm	2,8-7,9 pollici 70-200 mm

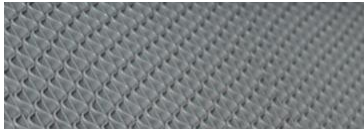
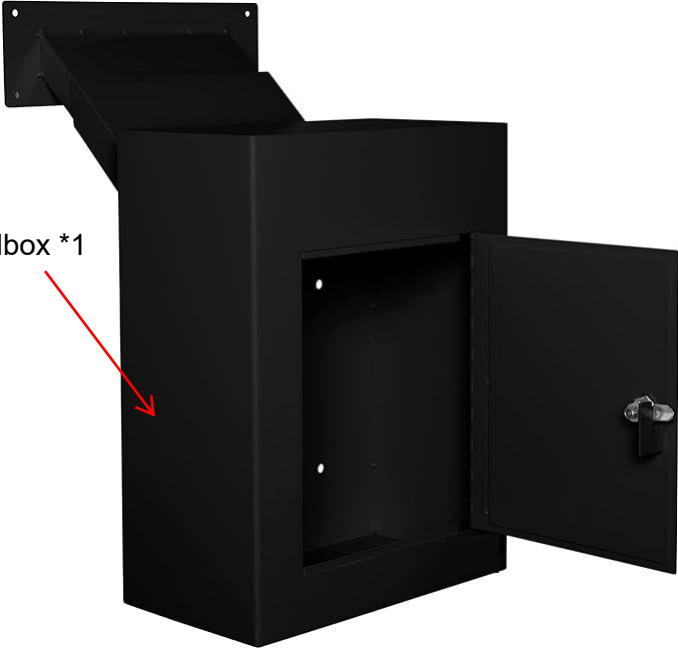
Mount Hardware\*1

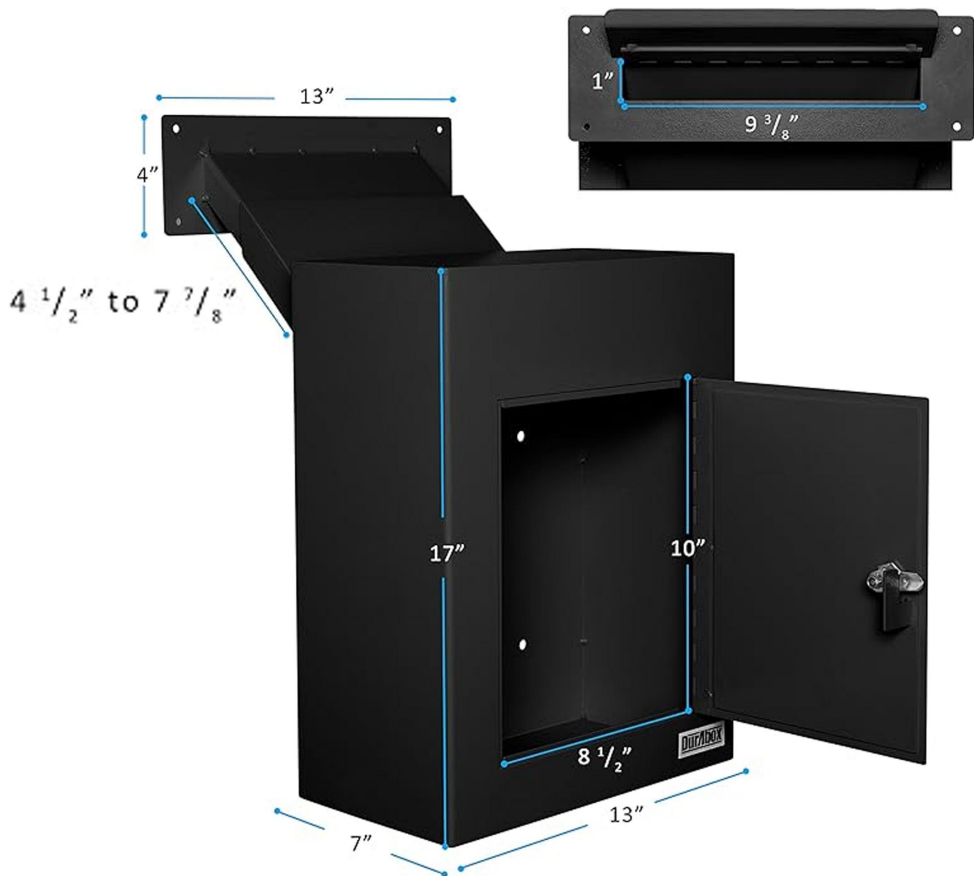


Adjustable Chute \*1

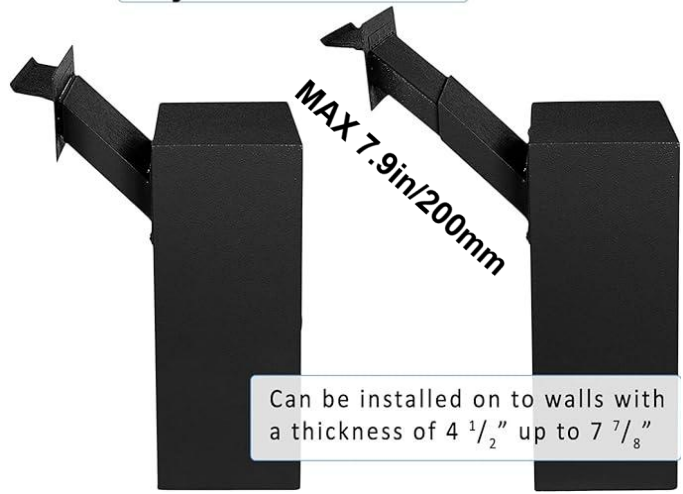


Drop Mailbox \*1





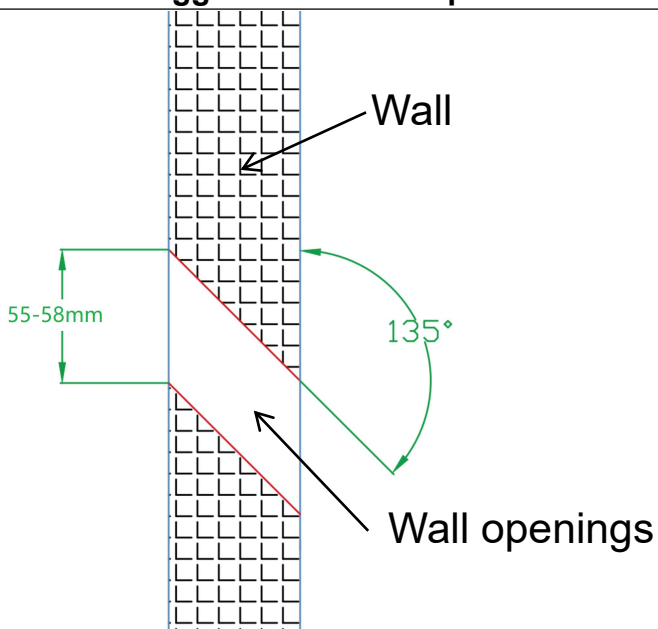
Adjustable Chute



Can be installed on to walls with a thickness of 4 1/2" up to 7 7/8"

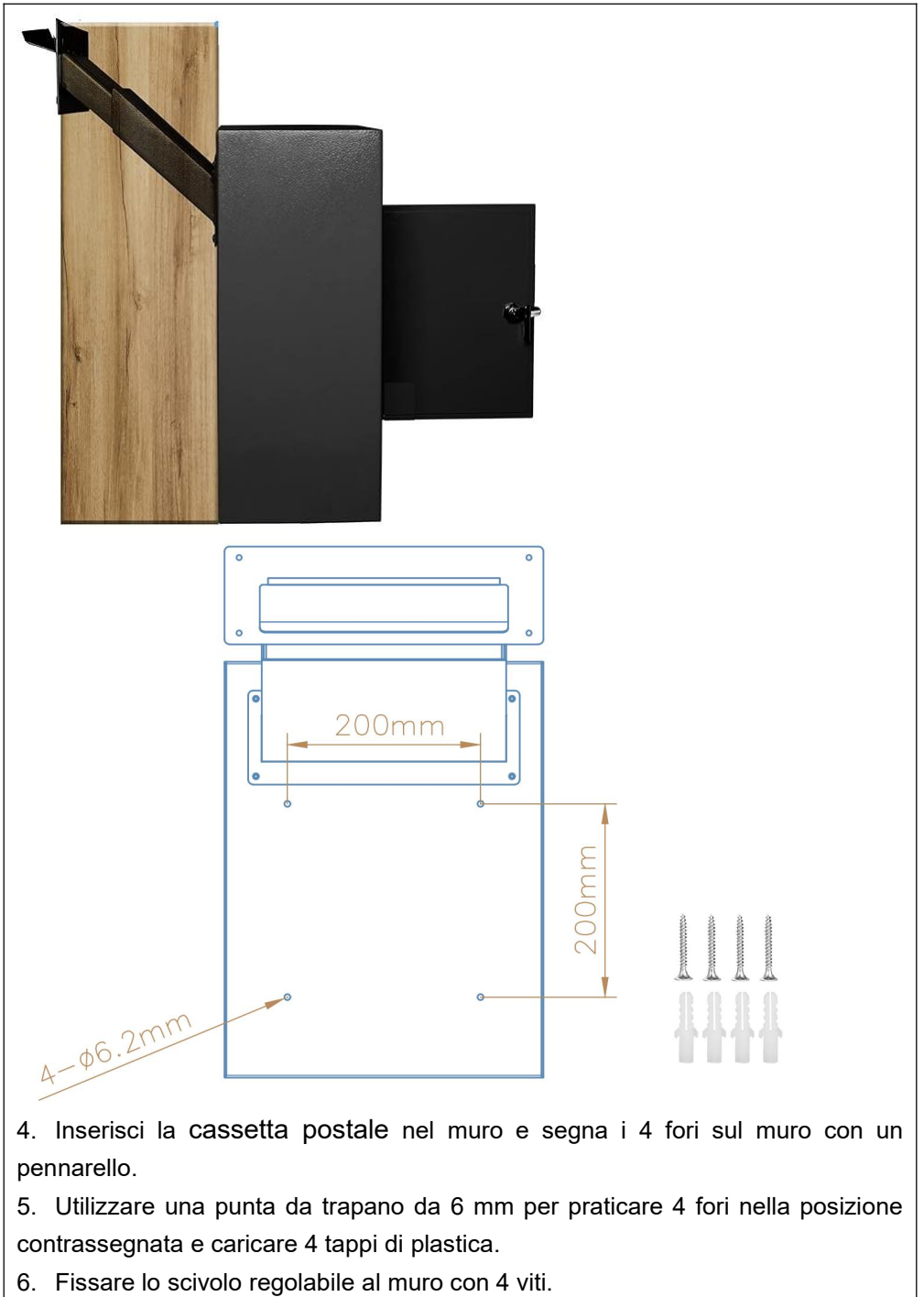


**Fissare l'hardware di montaggio e la cassetta postale con 4 viti.**

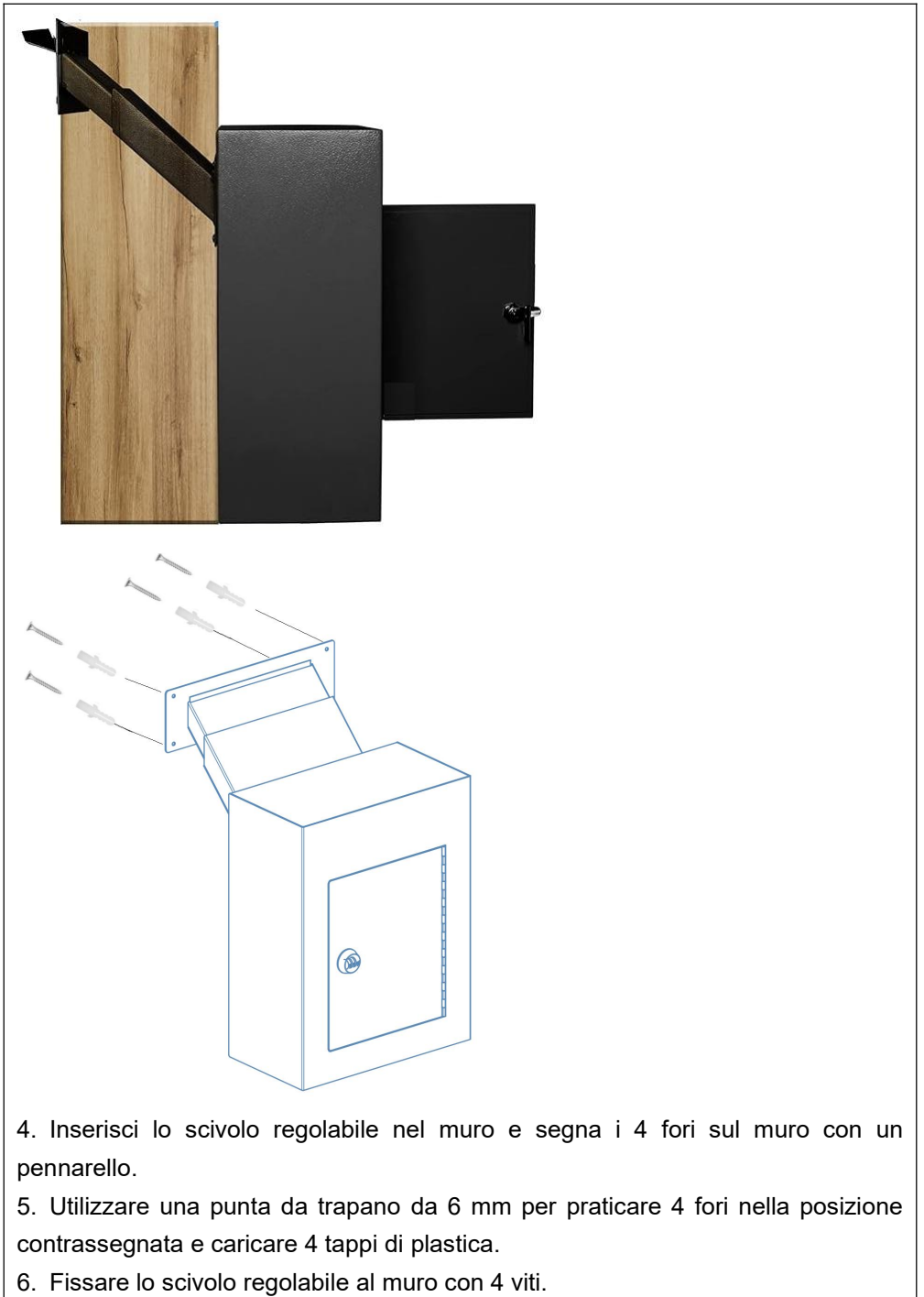


**In base alle dimensioni del disegno sopra, aprire il foro di installazione sul muro.**





4. Inserisci la cassetta postale nel muro e segna i 4 fori sul muro con un pennarello.
5. Utilizzare una punta da trapano da 6 mm per praticare 4 fori nella posizione contrassegnata e caricare 4 tappi di plastica.
6. Fissare lo scivolo regolabile al muro con 4 viti.



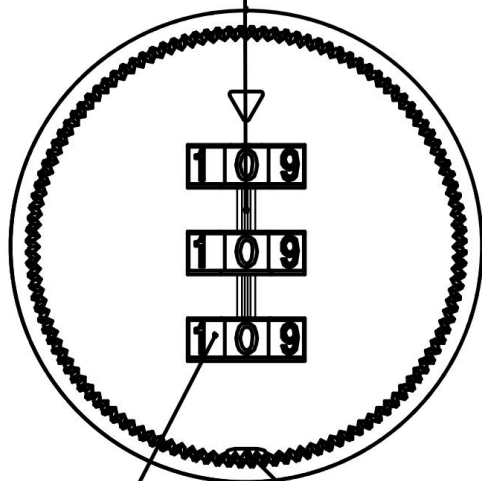
4. Inserisci lo scivolo regolabile nel muro e segna i 4 fori sul muro con un pennarello.

5. Utilizzare una punta da trapano da 6 mm per praticare 4 fori nella posizione contrassegnata e caricare 4 tappi di plastica.

6. Fissare lo scivolo regolabile al muro con 4 viti.

# Manuale di istruzioni del lucchetto a combinazione

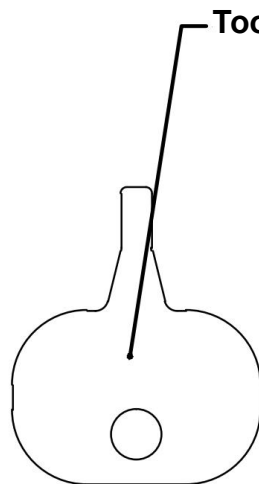
Alignmentline



Word wheel

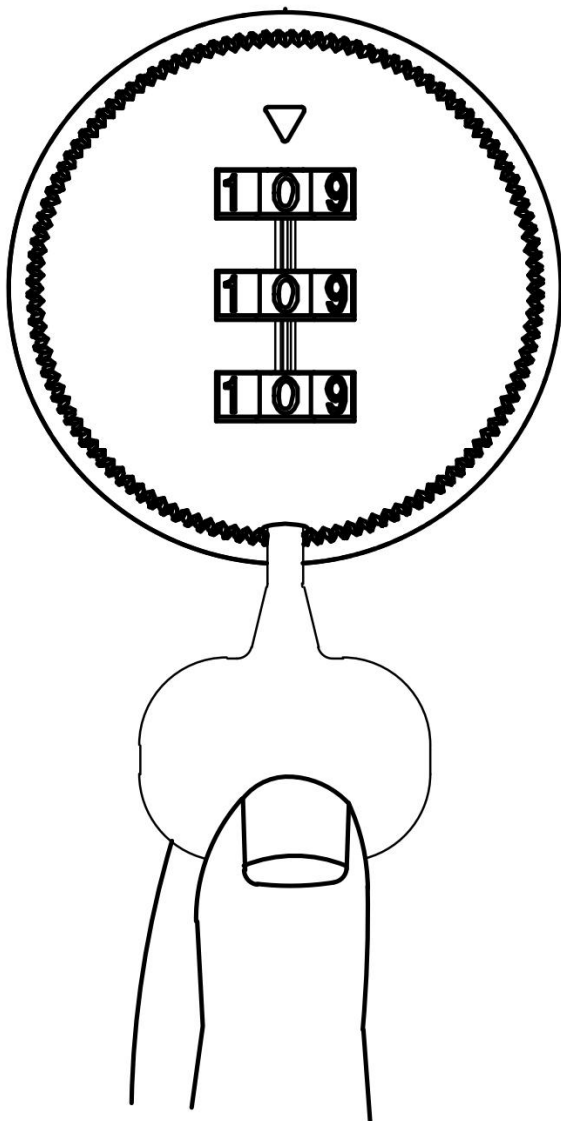
Reset button hole

Tool



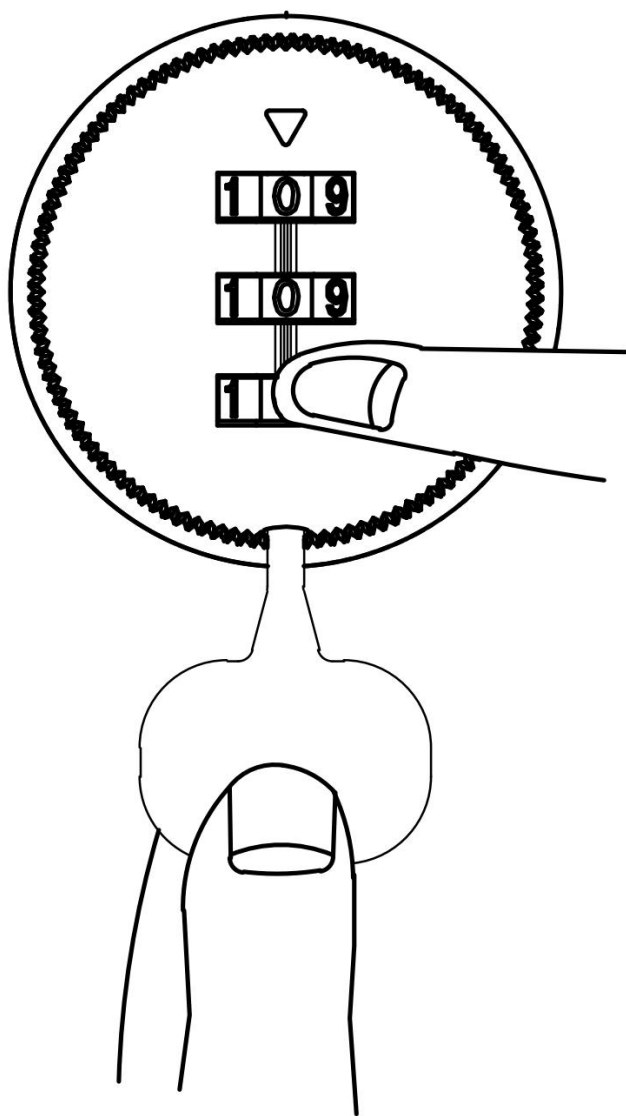
**Passo 1**

**Codice predefinito 0-0-0**



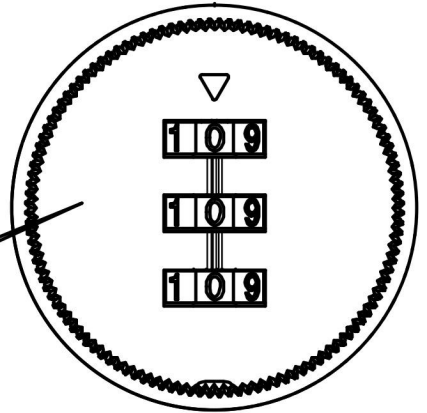
**Passo 2**

**Tenere premuto il pulsante con lo strumento.**



### Passaggio 3

Imposta il nuovo codice e lo strumento di rilascio.

A rectangular box with a dashed line inside, representing a password input field.

**Tieni a mente le password**

**Passaggio 4**  
**Registra il nuovo codice.**

**Produttore** : Shanghaimuxinmuyeyouxiangongsi

**Indirizzo**: Shuangchenglu 803nong11hao1602A-1609shi, baoshanqu, shanghai 200000 CN.

**Importato in Australia**: SIHAO PTY LTD. 1 ROKEVA  
STREETEASTWOOD NSW 2122 Australia

**Importato negli Stati Uniti**: Sanven Technology Ltd. Suite 250, 9166  
Anaheim

Luogo, Rancho Cucamonga, CA 91730

<b>UK</b>	<b>REP</b>
-----------	------------

E-CrossStu GmbH

Mainzer Landstr.69, 60329 Frankfurt am Main.

<b>EC</b>	<b>REP</b>
-----------	------------

YH CONSULTING LIMITED.

C/O YH Consulting Limited Office 147, Centurion House,  
London Road, Staines-upon-Thames, Surrey, TW18 4AX







**VEVOR**<sup>®</sup>

**TOUGH TOOLS, HALF PRICE**

**Tecnico Supporto e certificato di garanzia elettronica**

**[www.vevor.com/support](http://www.vevor.com/support)**

# **VEVOR<sup>®</sup>**

**TOUGH TOOLS, HALF PRICE**

Techniczny Certyfikat wsparcia i e-gwarancji [www.vevor.com/support](http://www.vevor.com/support)

## **SKRZYŃKA WRZUTOWA „POPRAZEC ŚCIANĘ”.**

### **INSTRUKCJA OBSŁUGI**

We continue to be committed to provide you tools with competitive price.

"Save Half", "Half Price" or any other similar expressions used by us only represents an estimate of savings you might benefit from buying certain tools with us compared to the major top brands and does not necessarily mean to cover all categories of tools offered by us. You are kindly reminded to verify carefully when you are placing an order with us if you are actually saving half in comparison with the top major brands.



# VEVOR®

TOUGH TOOLS, HALF PRICE

THROUGH THE DOOR  
DROP BOX

MA07 3 czarny



**NEED HELP? CONTACT US!**

Have product questions? Need technical support? Please feel free to contact us:

**Technical Support and E-Warranty Certificate**  
**[www.vevor.com/support](http://www.vevor.com/support)**

This is the original instruction, please read all manual instructions carefully before operating. VEVOR reserves a clear interpretation of our user manual. The appearance of the product shall be subject to the product you received. Please forgive us that we won't inform you again if there are any technology or software updates on our product.

## Środki ostrożności

### **OSTRZEŻENIE:**

**Przeczytaj tę instrukcję** przed użyciem tego produktu. Niezastosowanie się do tego może spowodować poważne obrażenia. należy zawsze przestrzegać podstawowych środków ostrożności , w tym:

11. Skrzynka wrzutowa zaścienna nie wolno używać ani przechowywać w obszarach niebezpiecznych. Nie wolno używać urządzenia w miejscach niebezpiecznych.

12. Skrzynka wrzutowa zaścienna przed użyciem należy sprawdzić, czy jest w dobrym stanie i czy działa bezpiecznie. W przeciwnym razie nie wolno używać urządzenia.

**13. Musisz chronić swoje klucze i hasła przed kimkolwiek innym.**

14. Operator musi korzystać ze skrzynki wrzutowej w ścianie odpowiednio. Podczas pracy ze skrzynką wrzutową zaścienną musi wziąć pod uwagę warunki lokalne i zwracać uwagę na osoby trzecie , w szczególności na dzieci .

15. To przez skrzynkę wrzutową na ścianie nie jest przeznaczony do użytku przez osoby (w tym dzieci) o ograniczonych zdolnościach fizycznych , sensorycznych lub umysłowych lub nieposiadające doświadczenia i/lub wiedzy , chyba że znajdują się pod nadzorem osoby odpowiedzialnej za ich bezpieczeństwo lub zostaną przez te osoby poinstruowane w zakresie obsługi urządzenia. Dzieci należy nadzorować , aby mieć pewność , że nie bawią się urządzeniem przez

skrzynkę ścienną .

## ZACHOWAJ TE INSTRUKCJE

### Opis produktu

Model	Kolor	Rozmiar	Rozmiar portu dostawy
MA07 3 czarny	Czarny	13*7*16,9 cala 330*178*430mm	2,8-7,9 cala 70-200mm

Mount Hardware\*1



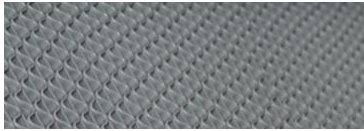
Adjustable Chute \*1



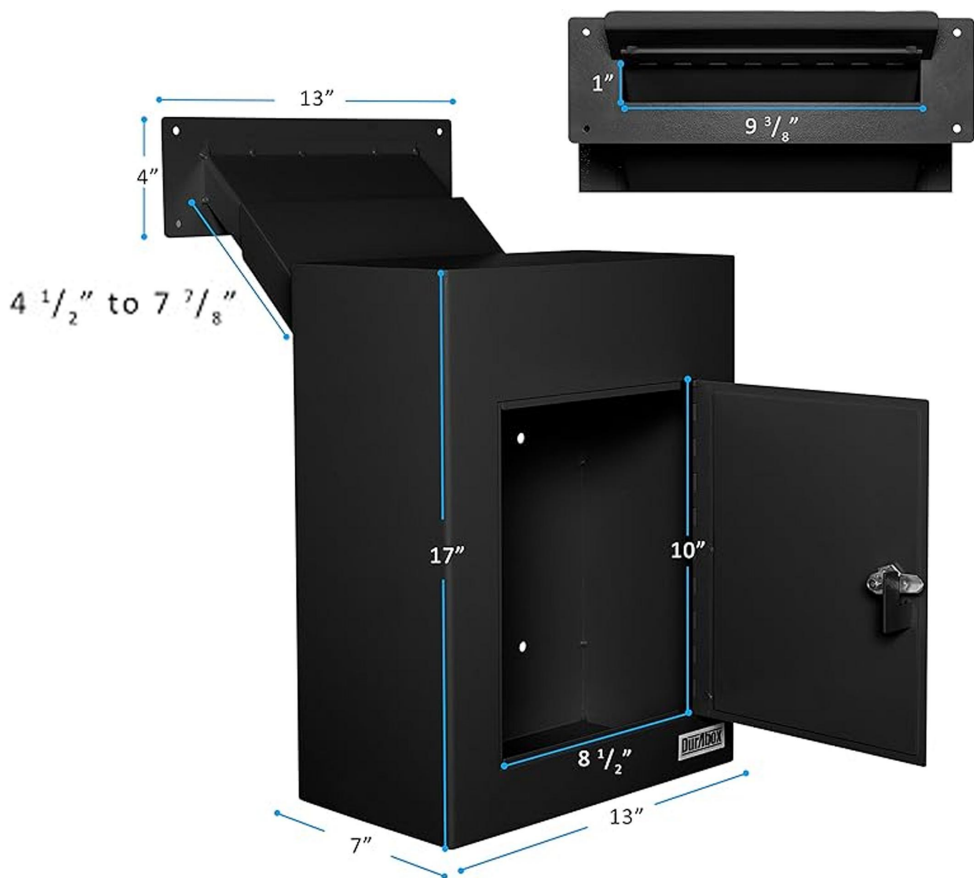
Rubber Mat \*1



Drop Mailbox \*1







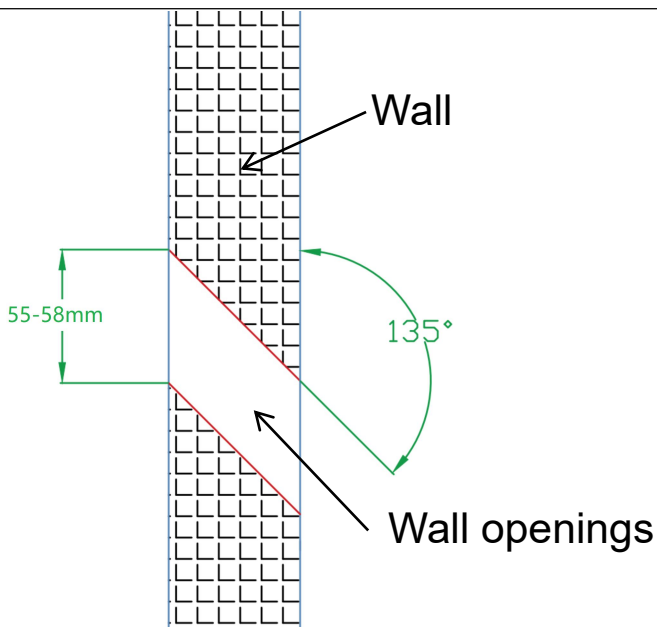
Adjustable Chute



Can be installed on to walls with a thickness of 4 1/2" up to 7 7/8"

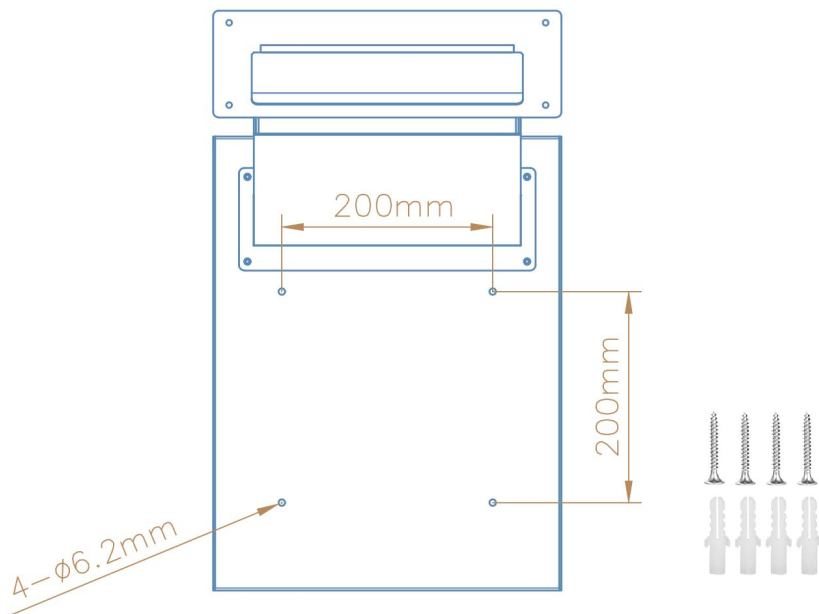


**Przymocuj osprzęt montażowy i skrzynkę pocztową za pomocą 4 śrub.**



**Zgodnie z powyższym rozmiarem rysunku otwórz otwór**

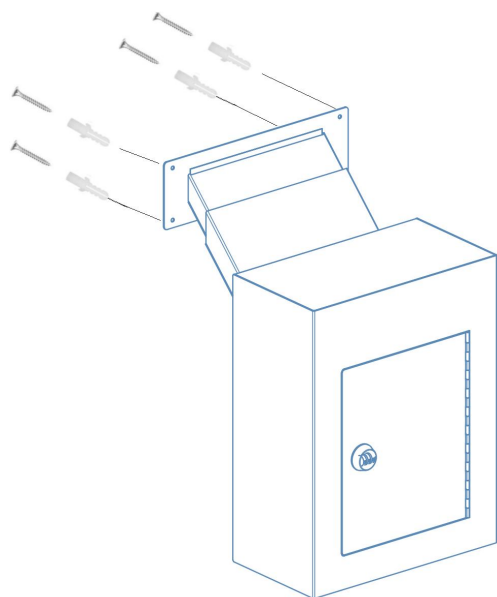
## montażowy w ścianie.



7. Włóż skrzynkę pocztową Drop Mailbox do ściany i zaznacz markerem 4 otwory na ścianie.

8. Za pomocą wiertła 6 mm wywierć 4 otwory w zaznaczonych miejscach i włóż 4 plastikowe zatyczki.

9. Przymocuj rynnę regulowaną do ściany za pomocą 4 śrub.



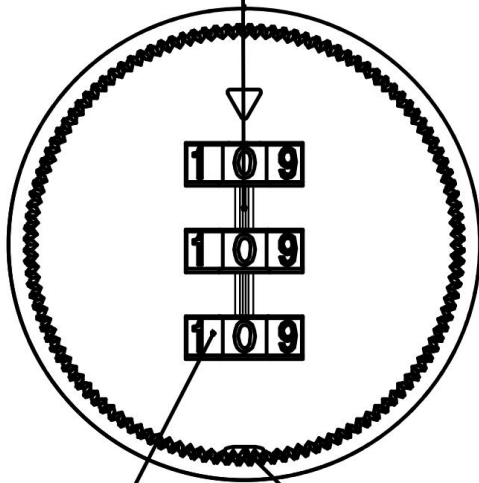
7. Włóż rynnę regulowaną do ściany i zaznacz markerem 4 otwory na ścianie.

8. Za pomocą wiertła 6 mm wywierć 4 otwory w zaznaczonych miejscach i włóż 4 plastikowe zatyczki.

9. Przymocuj rynnę regulowaną do ściany za pomocą 4 śrub.

# Instrukcja obsługi zamka szyfrowego I

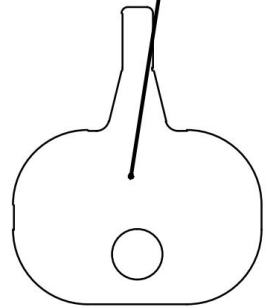
Alignmentline



Word wheel

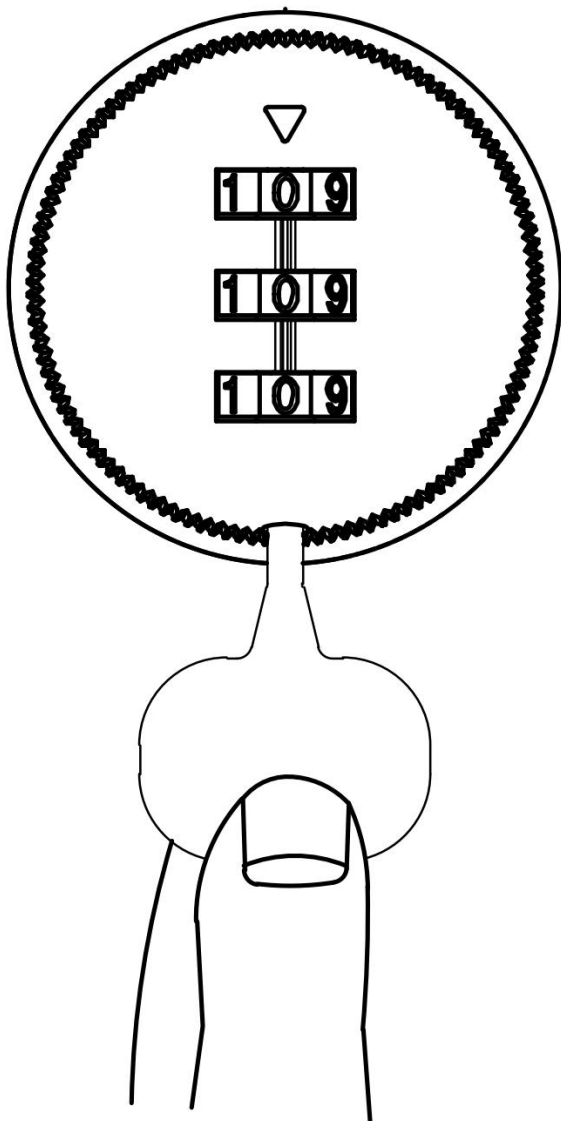
Reset button hole

Tool



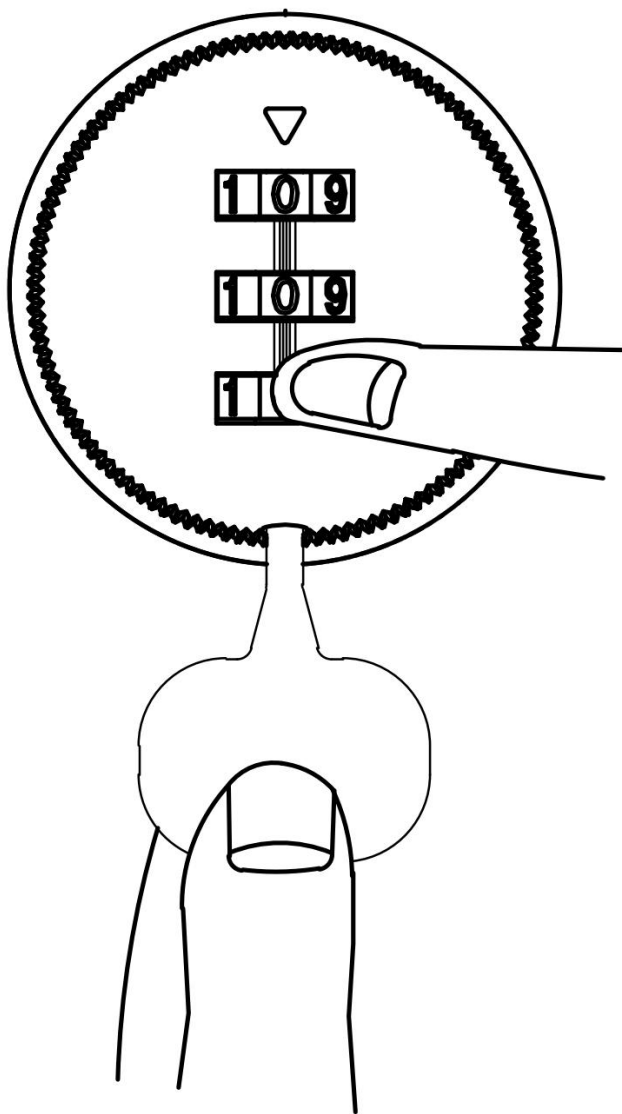
**Krok 1**

**Domyślny kod 0-0-0**



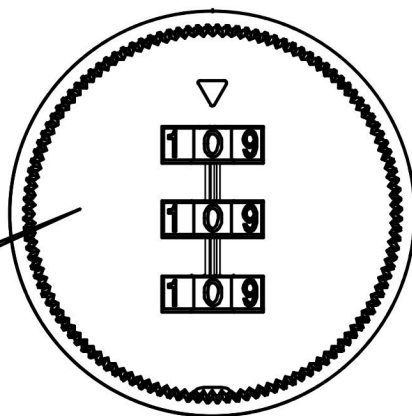
**Krok 2**

**Naciśnij i przytrzymaj przycisk z narzędziem.**



### Krok 3

Ustaw nowy kod i narzędzie do wydania.



-----

**Pamiętaj o hasłach**

**Krok 4**  
**Nagraj nowy kod.**



**Producent** : Shanghaimuxinmuyeyouxiangongsi

**Adres**: Shuangchenglu 803nong11hao1602A-1609shi, baoshanqu, szanghaj 200000 CN.

**Import do AUS**: SIHAO PTY LTD. 1 ROKEVA STREETEASTWOOD NSW 2122 Australia

**Import do USA**: Sanven Technology Ltd. Suite 250, 9166 Anaheim Place, Rancho Cucamonga, Kalifornia 91730

<b>UK</b>	<b>REP</b>
-----------	------------

E-CrossStu GmbH

Mainzer Landstr.69, 60329 Frankfurt am Main.

<b>EC</b>	<b>REP</b>
-----------	------------

YH CONSULTING LIMITED.

C/O YH Consulting Limited Office 147, Centurion House,  
London Road, Staines-upon-Thames, Surrey, TW18 4AX



**VEVOR**<sup>®</sup>

**TOUGH TOOLS, HALF PRICE**

**Techniczny Certyfikat wsparcia i e-gwarancji**

**[www.vevor.com/support](http://www.vevor.com/support)**

# **VEVOR<sup>®</sup>**

## **TOUGH TOOLS, HALF PRICE**

Technisch Support- und E-Garantie-Zertifikat [www.vevor.com/support](http://www.vevor.com/support)

# **DURCH DIE WAND-DROPBOX**

## **BENUTZERHANDBUCH**

We continue to be committed to provide you tools with competitive price.

"Save Half", "Half Price" or any other similar expressions used by us only represents an estimate of savings you might benefit from buying certain tools with us compared to the major top brands and does not necessarily mean to cover all categories of tools offered by us. You are kindly reminded to verify carefully when you are placing an order with us if you are actually saving half in comparison with the top major brands.



# VEVOR®

TOUGH TOOLS, HALF PRICE

THROUGH THE DOOR  
DROP BOX

MA07 3 schwarz



**NEED HELP? CONTACT US!**

Have product questions? Need technical support? Please feel free to contact us:

**Technical Support and E-Warranty Certificate**  
**[www.vevor.com/support](http://www.vevor.com/support)**

This is the original instruction, please read all manual instructions carefully before operating. VEVOR reserves a clear interpretation of our user manual. The appearance of the product shall be subject to the product you received. Please forgive us that we won't inform you again if there are any technology or software updates on our product.

## Sicherheitsvorkehrungen

### WARNUNG:

**Lesen Sie diese Anweisungen**, bevor Sie dieses Produkt verwenden.

Andernfalls kann es zu schweren Verletzungen kommen. Die grundlegenden Vorsichtsmaßnahmen sollten immer befolgt werden , einschließlich der folgenden:

16. Die Dropbox durch die Wand dürfen nicht in explosionsgefährdeten Bereichen verwendet oder gelagert werden. Es ist nicht gestattet, das Gerät in explosionsgefährdeten Bereichen zu verwenden.

17. Die Dropbox durch die Wand Vor der Verwendung muss überprüft werden, ob es ordnungsgemäß funktioniert und sicher funktioniert. Andernfalls darf das Gerät nicht verwendet werden.

**18. Sie müssen Ihre Schlüssel oder Passwörter vor allen anderen schützen.**

19. durch die Wand geführten Briefkasten verwenden richtig. Er hat die örtlichen Gegebenheiten zu berücksichtigen und beim Umgang mit dem Wandeinwurfkasten Rücksicht auf Dritte , insbesondere Kinder , zu nehmen .

20. Dies durch die Wand-Dropbox ist nicht für den Gebrauch durch Personen (einschließlich Kinder) mit eingeschränkten körperlichen , sensorischen oder geistigen Fähigkeiten oder mangels Erfahrung und/oder mangels Wissen bestimmt , es sei denn, sie werden durch eine für ihre Sicherheit zuständige Person beaufsichtigt oder erhielten von dieser Person Anweisungen zum

Gebrauch das Gerät. Kinder sollten beaufsichtigt werden , um sicherzustellen, dass sie nicht damit spielen durch den Wandkasten .

## ANLEITUNG AUFBEWAHREN

### Produktbeschreibung

Modell	Farbe	Größe	Größe des Lieferports
MA07 3 schwarz	Schwarz	13*7*16,9 Zoll 330*178*430mm	2,8–7,9 Zoll 70-200mm

Mount Hardware\*1

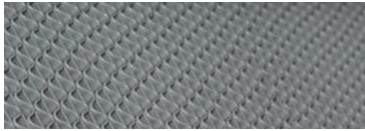
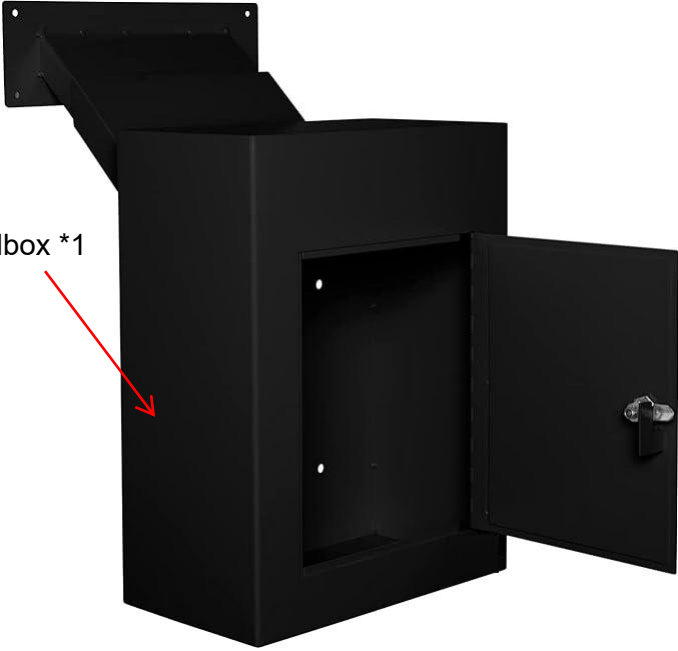


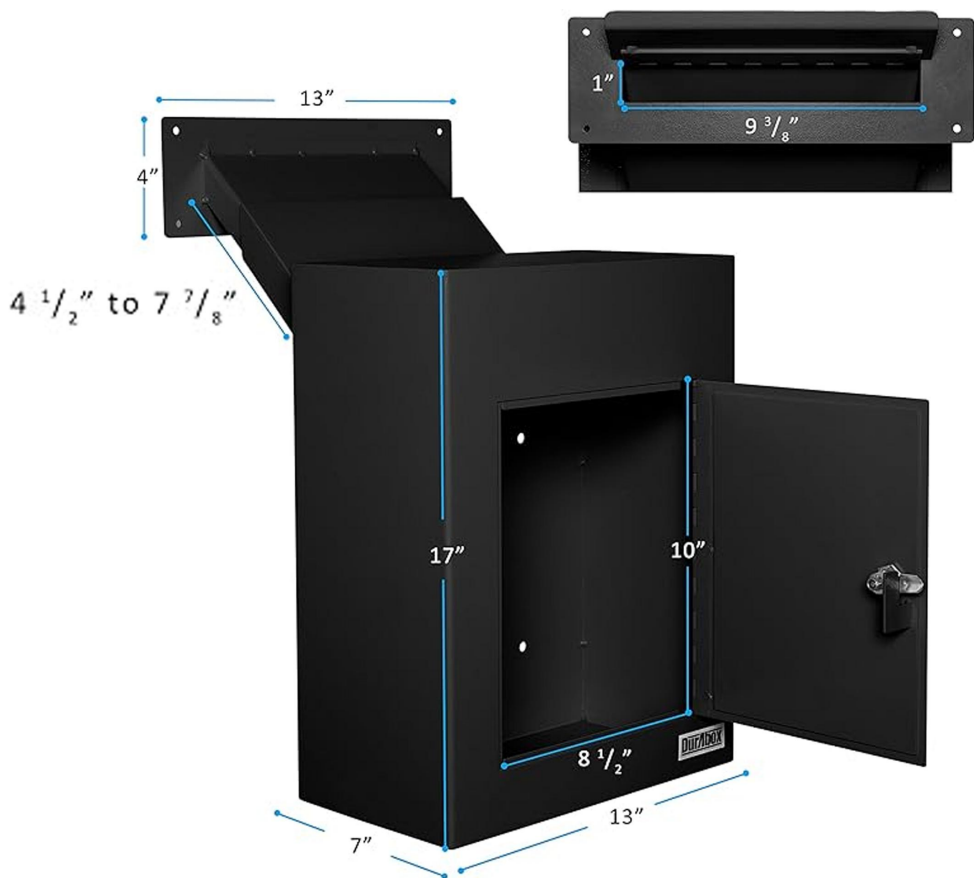
Adjustable Chute \*1





Drop Mailbox \*1



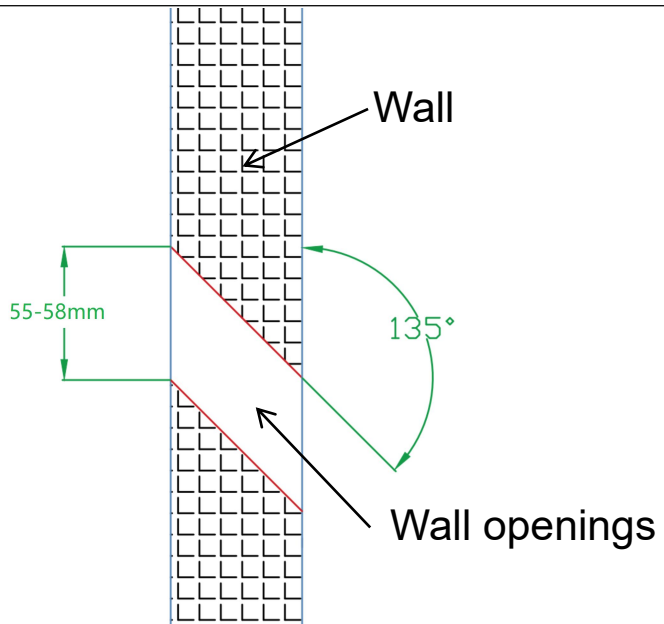


Adjustable Chute



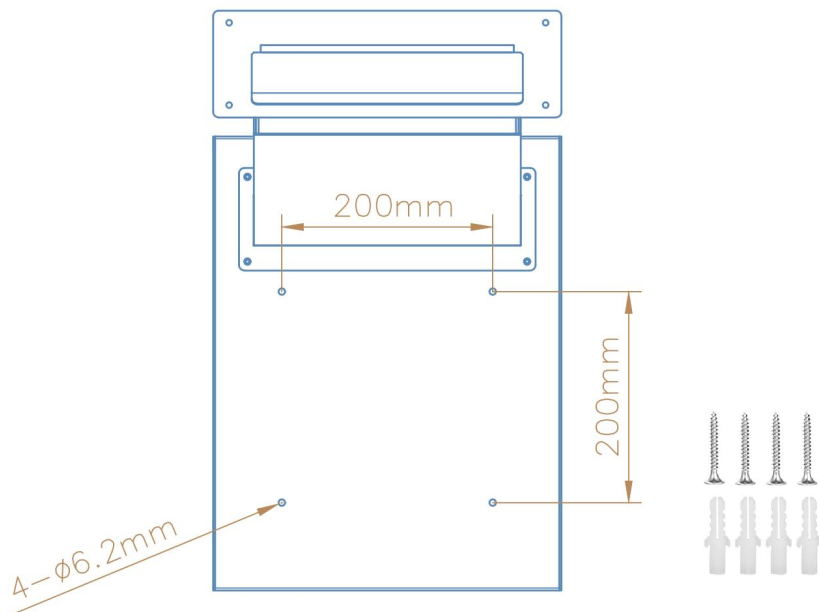


**Befestigen Sie die Montageteile und den Briefkasten mit 4 Schrauben.**



**Öffnen Sie entsprechend der oben angegebenen**

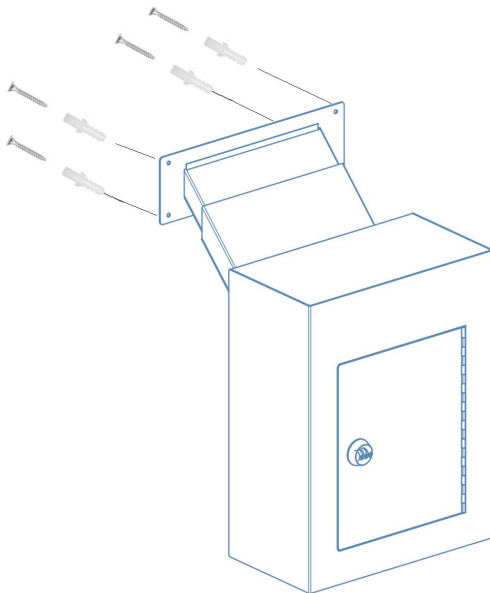
## Zeichnungsgröße das Installationsloch an der Wand.



10. Setzen Sie den Briefkasten in die Wand ein und markieren Sie die 4 Löcher an der Wand mit einem Marker.

11. Bohren Sie mit einem 6-mm-Bohrer 4 Löcher an der markierten Position und laden Sie 4 Kunststoffstopfen.

12. Befestigen Sie die verstellbare Rutsche mit 4 Schrauben an der Wand.



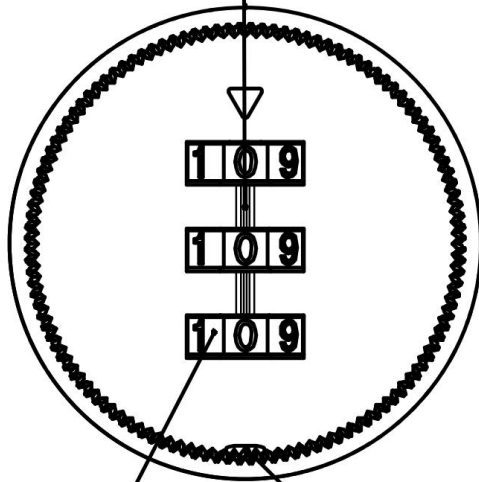
10. Setzen Sie die verstellbare Rutsche in die Wand ein und markieren Sie die 4 Löcher an der Wand mit einem Marker.

11. Bohren Sie mit einem 6-mm-Bohrer 4 Löcher an der markierten Position und laden Sie 4 Kunststoffstopfen.

12. Befestigen Sie die verstellbare Rutsche mit 4 Schrauben an der Wand.

## Bedienungsanleitung für das Zahlenschloss

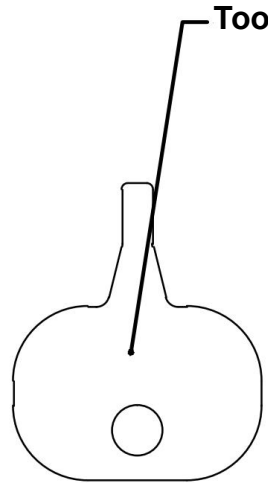
Alignmentline



Word wheel

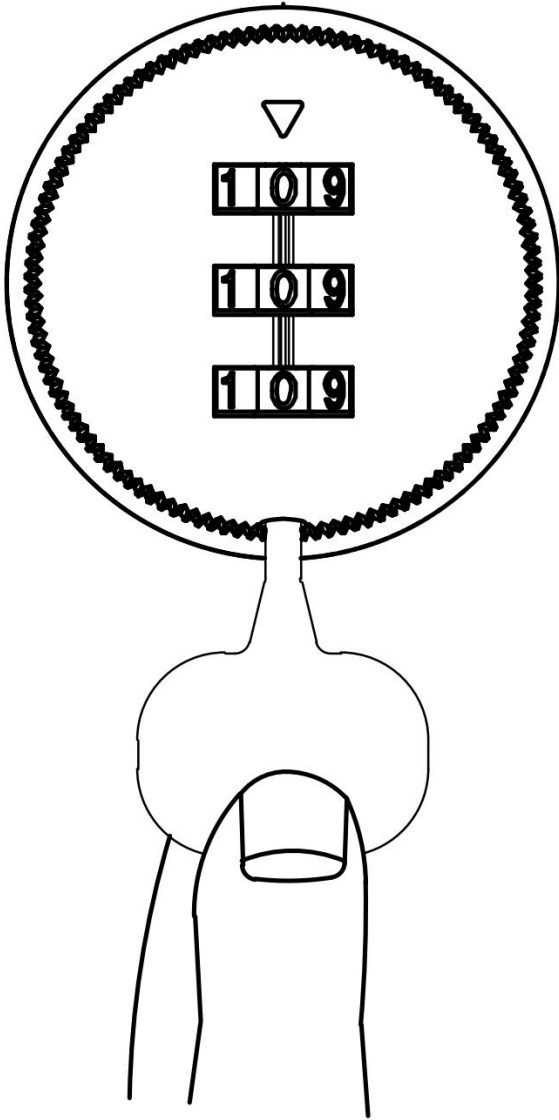
Reset button hole

Tool



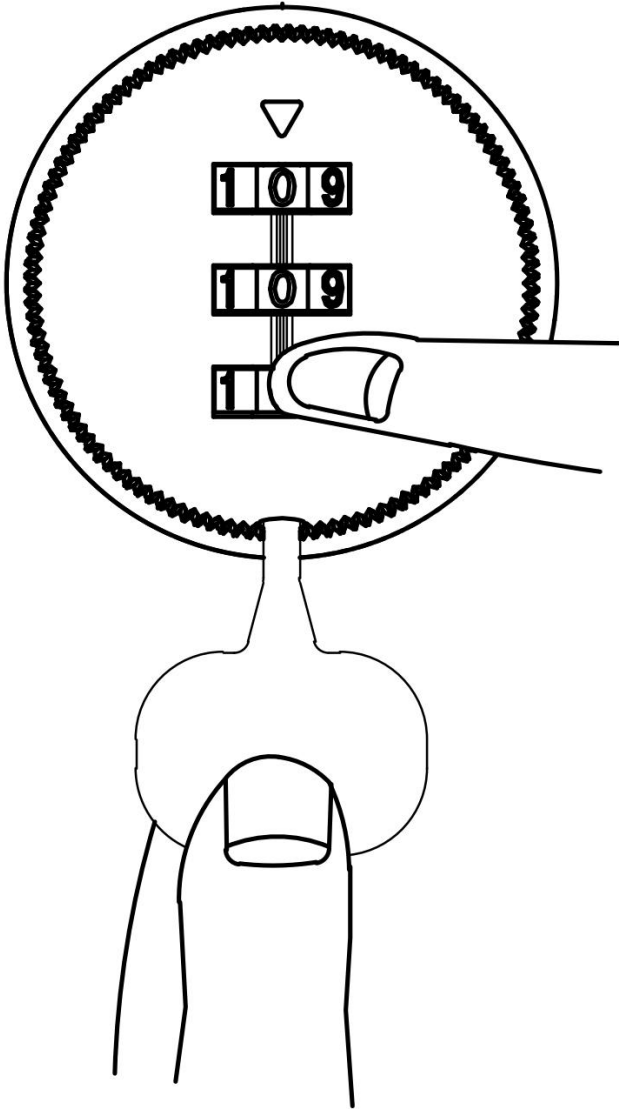
Schritt 1

Standardcode 0-0-0



**Schritt 2**

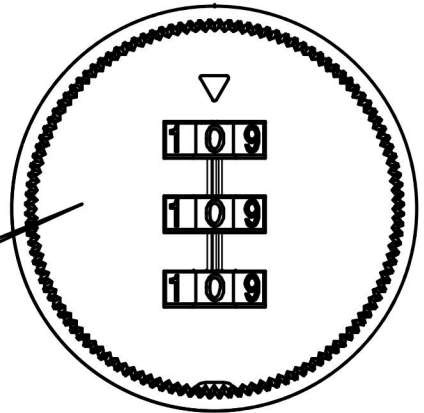
**Drücken und halten Sie die Taste mit dem Werkzeug.**



### Schritt 3

Legen Sie neuen Code fest und veröffentlichen Sie das Tool.





**Behalten Sie Passwörter im Hinterkopf**

**Schritt 4**  
**Neuen Code aufzeichnen.**

**Hersteller :** Shanghaimuxinmuyeyouxiangongsi

**Adresse:** Shuangchenglu 803nong11hao1602A-1609shi, baoshanqu, Shanghai 200000 CN.

**Importiert nach AUS:** SIHAO PTY LTD. 1 ROKEVA STREETEASTWOOD NSW 2122 Australien

**In die USA importiert:** Sanven Technology Ltd. Suite 250, 9166 Anaheim Place, Rancho Cucamonga, CA 91730

<b>UK</b>	<b>REP</b>
-----------	------------

E-CrossStu GmbH

Mainzer Landstr.69, 60329 Frankfurt am Main.

<b>EC</b>	<b>REP</b>
-----------	------------

YH CONSULTING LIMITED.

C/O YH Consulting Limited Office 147, Centurion House, London Road, Staines-upon-Thames, Surrey, TW18 4AX





**VEVOR**<sup>®</sup>

**TOUGH TOOLS, HALF PRICE**

**Technisch Support- und E-Garantiezertifikat**

**[www.vevor.com/support](http://www.vevor.com/support)**

# **VEVOR<sup>®</sup>**

**TOUGH TOOLS, HALF PRICE**

Technique Assistance et certificat de garantie électronique

[www.vevor.com/support](http://www.vevor.com/support)

**À TRAVERS LA BOÎTE DE DÉPÔT**

**MURALE**

**MANUEL DE L'UTILISATEUR**

We continue to be committed to provide you tools with competitive price.

"Save Half", "Half Price" or any other similar expressions used by us only represents an estimate of savings you might benefit from buying certain tools with us compared to the major top brands and does not necessarily mean to cover all categories of tools offered by us. You are kindly reminded to verify carefully when you are placing an order with us if you are actually saving half in comparison with the top major brands.





# VEVOR<sup>®</sup>

TOUGH TOOLS, HALF PRICE

THROUGH THE DOOR  
DROP BOX

MA07 3 noir



**NEED HELP? CONTACT US!**

Have product questions? Need technical support? Please feel free to contact us:

**Technical Support and E-Warranty Certificate**  
**[www.vevor.com/support](http://www.vevor.com/support)**

This is the original instruction, please read all manual instructions carefully before operating. VEVOR reserves a clear interpretation of our user manual. The appearance of the product shall be subject to the product you received. Please forgive us that we won't inform you again if there are any technology or software updates on our product.

## Précautions de sécurité

### AVERTISSEMENT:

**Lisez ces instructions** avant d'utiliser ce produit. Ne pas le faire peut entraîner des blessures graves. les précautions de base doivent toujours être suivies , notamment les suivantes :

21. La boîte de dépôt à travers le mur ne peut pas être utilisé ou stocké dans des zones dangereuses. Il est interdit d'utiliser l'appareil dans des endroits dangereux.

22. La boîte de dépôt à travers le mur doit être vérifié pour s'assurer qu'il est en bon état de fonctionnement et qu'il fonctionne en toute sécurité avant utilisation. Dans le cas contraire , l'appareil ne doit pas être utilisé.

**23. Vous devez garder vos clés ou mots de passe à l'abri de toute autre personne.**

24. L'opérateur doit utiliser la boîte de dépôt murale correctement. Il doit tenir compte des conditions locales et faire attention aux tiers , en particulier aux enfants , lorsqu'il travaille avec la boîte de dépôt murale .

25. Ceci à travers la boîte de dépôt murale n'est pas destiné à être utilisé par des personnes (y compris des enfants) ayant des capacités physiques , sensorielles ou mentales réduites ou manquant d'expérience et/ou de connaissances , à moins qu'elles ne soient supervisées par une personne responsable de leur sécurité ou qu'elles ne soient instruites par ces personnes sur l'utilisation de le dispositif. Les enfants doivent être surveillés pour s'assurer qu'ils ne jouent pas avec le à travers

la boîte de dépôt murale .

## CONSERVEZ CES INSTRUCTIONS

### Description du produit

Modèle	Couleur	Taille	Taille du port de livraison
MA07 3 noir	Noir	13*7*16,9 pouces 330*178*430mm	2,8-7,9 pouces 70-200mm

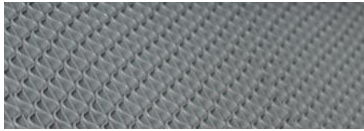
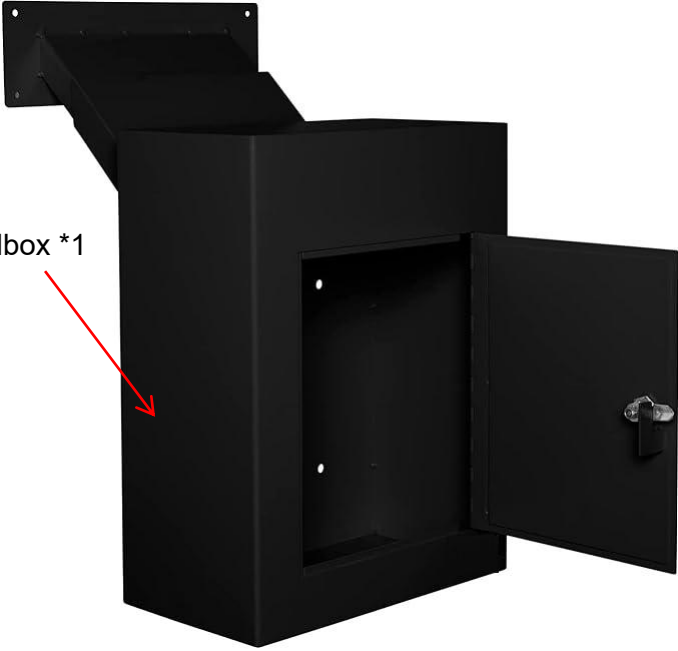
Mount Hardware\*1

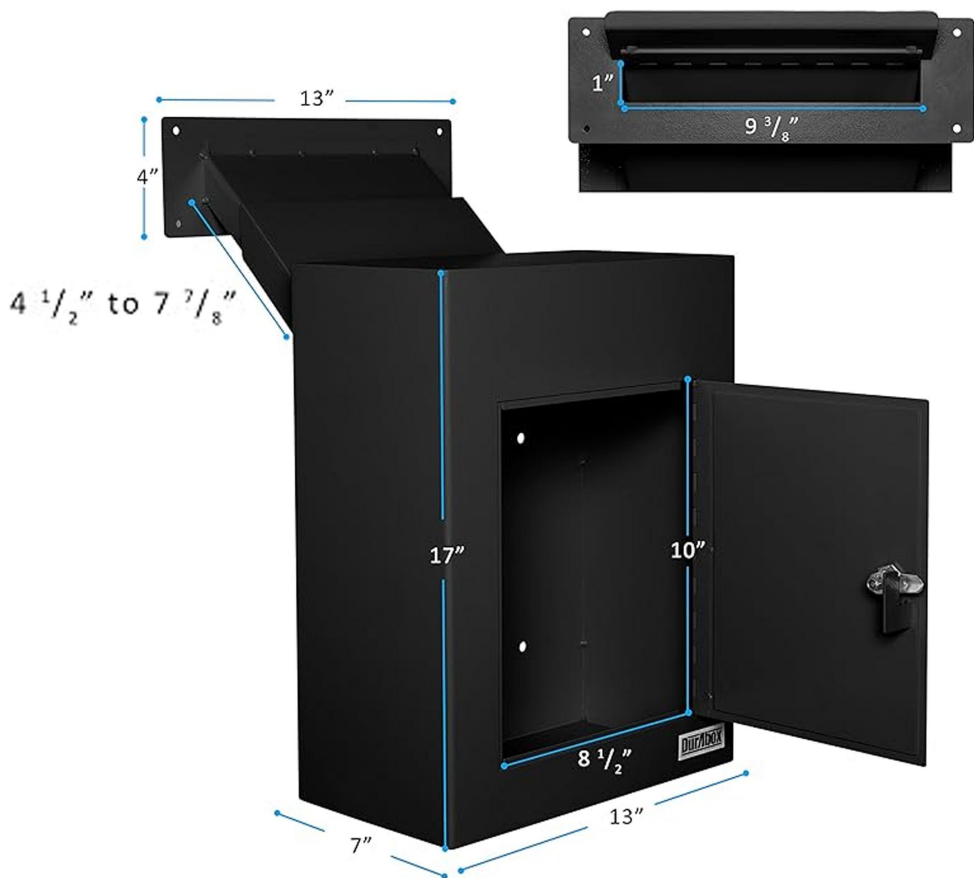


Adjustable Chute \*1



Drop Mailbox \*1





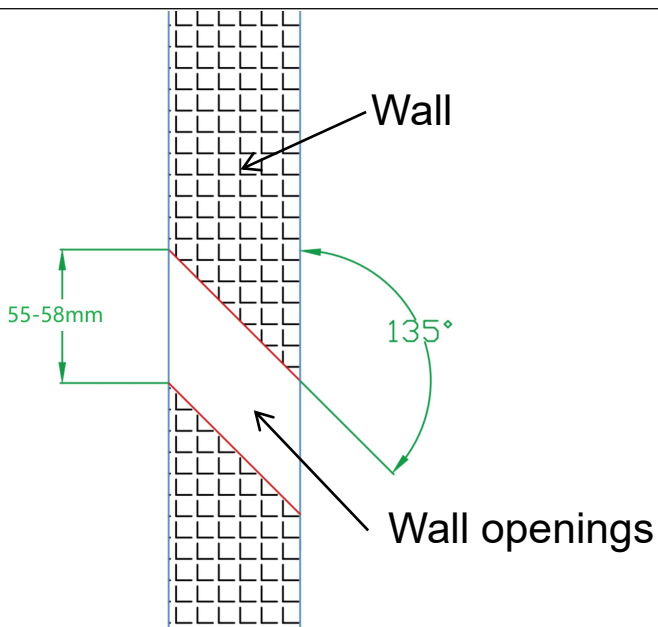
Adjustable Chute



Can be installed on to walls with a thickness of 4 1/2" up to 7 7/8"

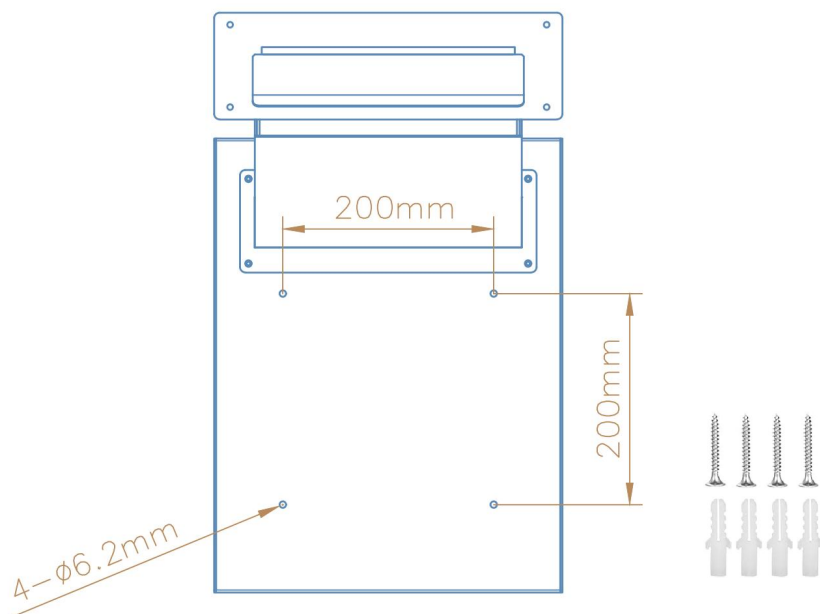


**Fixez le matériel de montage et déposez la boîte aux lettres avec 4 vis.**



**Selon la taille du dessin ci-dessus, ouvrez le trou d'installation**

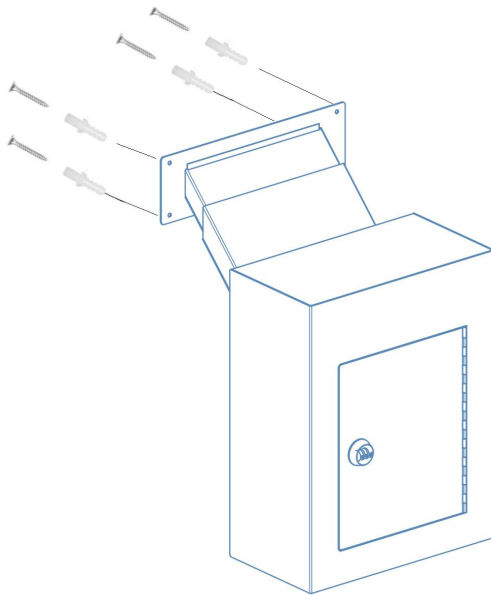
sur le mur.



13. Insérez la Drop Mailbox dans le mur et marquez les 4 trous sur le mur avec un marqueur.

14. Utilisez un foret de 6 mm pour percer 4 trous à l'emplacement marqué et chargez 4 bouchons en plastique.

15. Fixez la goulotte réglable au mur avec 4 vis.



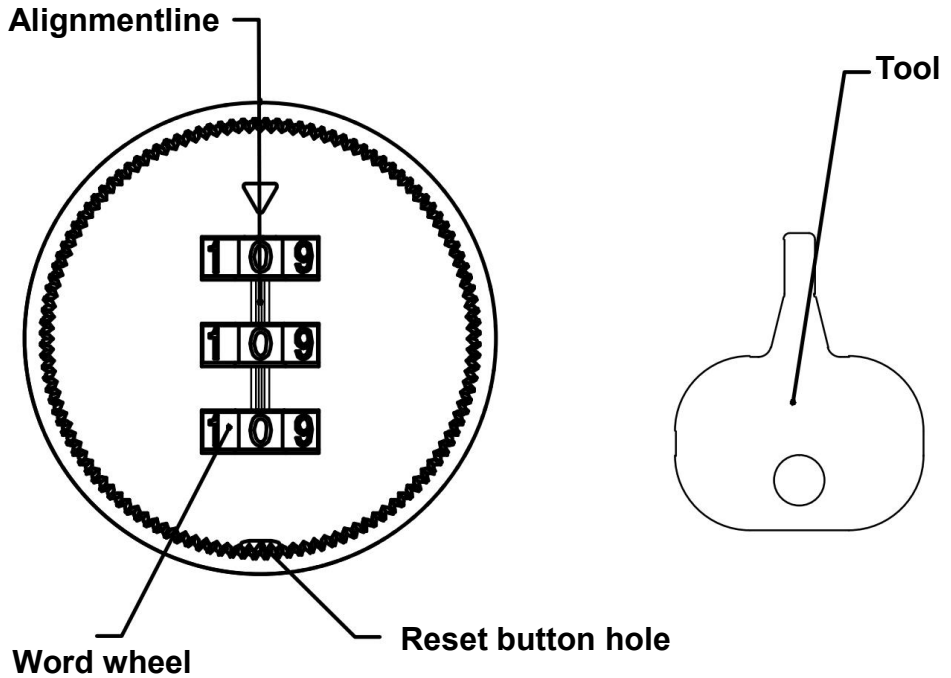
13. Insérez la goulotte réglable dans le mur et marquez les 4 trous sur le mur avec un marqueur.

14. Utilisez un foret de 6 mm pour percer 4 trous à l'emplacement marqué et chargez 4 bouchons en plastique.



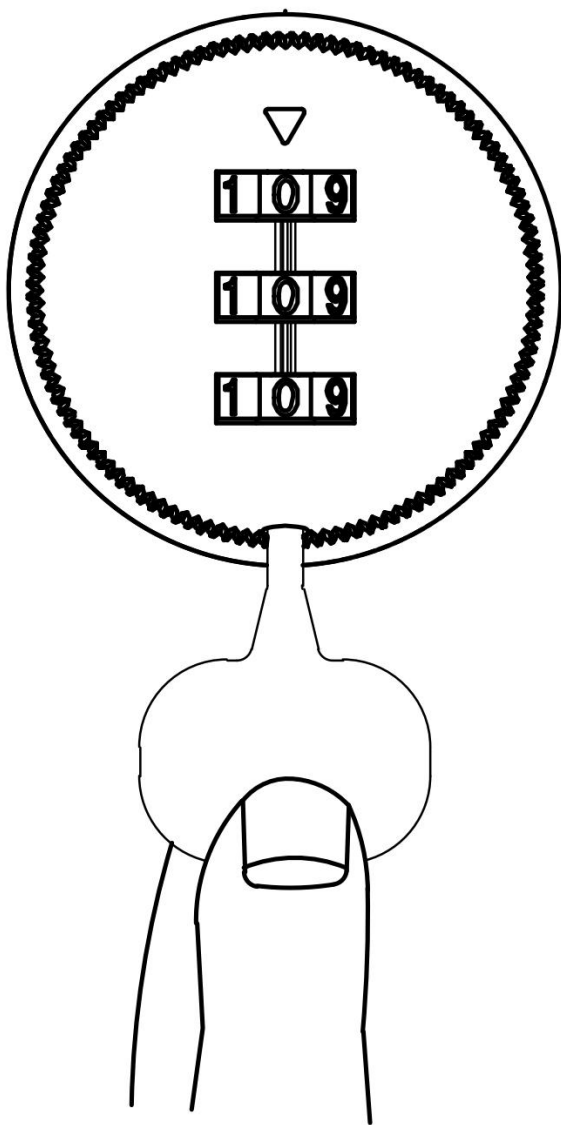
15. Fixez la goulotte réglable au mur avec 4 vis.

## Manuel d' instructions de la serrure à combinaison



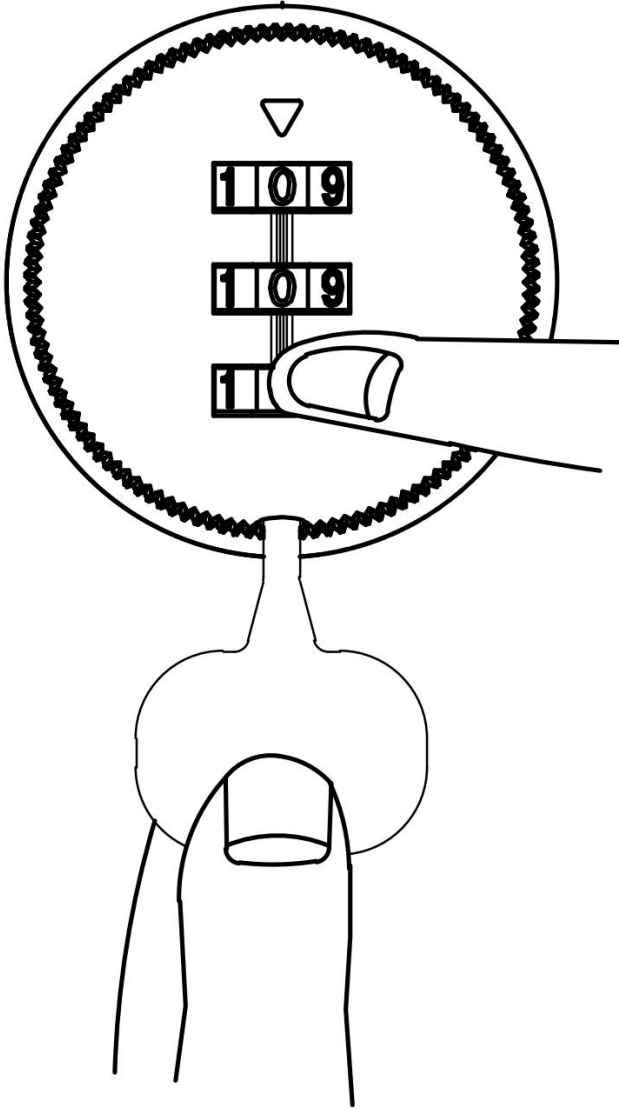
Étape 1

Code par défaut 0-0-0



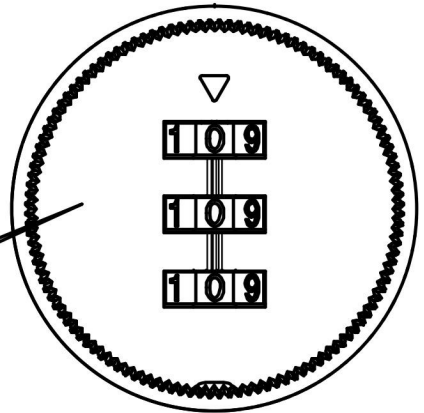
**Étape 2**

**Appuyez et maintenez le bouton avec l'outil.**



**Étape 3**

**Définir un nouveau code et un outil de publication.**



-----

**Gardez les mots de passe à l'esprit**

**Étape 4**  
**Enregistrez le nouveau code.**

**Fabricant** : Shanghaimuxinmuyeyouxiangongsi

**Adresse** : Shuangchenglu 803nong11hao1602A-1609shi, baoshanqu, Shanghai 200000 CN.

**Importé en Australie** : SIHAO PTY LTD. 1 ROKEVA STREETASTWOOD NSW 2122 Australie

**Importé aux États-Unis** : Sanven Technology Ltd. Suite 250, 9166 Anaheim

Lieu, Rancho Cucamonga, CA 91730



E-CrossStu GmbH

Mainzer Landstr.69, 60329 Frankfurt am Main.



YH CONSULTING LIMITED.

C/O YH Consulting Limited Office 147, Centurion House,  
London Road, Staines-upon-Thames, Surrey, TW18 4AX





**VEVOR**<sup>®</sup>

**TOUGH TOOLS, HALF PRICE**

**Technique Assistance et certificat de garantie électronique**

**[www.vevor.com/support](http://www.vevor.com/support)**



# **VEVOR<sup>®</sup>**

**TOUGH TOOLS, HALF PRICE**

Technisch Ondersteuning en e-garantiecertificaat [www.vevor.com/support](http://www.vevor.com/support)

## **DOOR DE MUURDROPBOX**

### **HANDLEIDING**

We continue to be committed to provide you tools with competitive price.

"Save Half", "Half Price" or any other similar expressions used by us only represents an estimate of savings you might benefit from buying certain tools with us compared to the major top brands and does not necessarily mean to cover all categories of tools offered by us. You are kindly reminded to verify carefully when you are placing an order with us if you are actually saving half in comparison with the top major brands.



# VEVOR®

TOUGH TOOLS, HALF PRICE

THROUGH THE DOOR  
DROP BOX

MA07 3 zwart



**NEED HELP? CONTACT US!**

Have product questions? Need technical support? Please feel free to contact us:

**Technical Support and E-Warranty Certificate**  
**[www.vevor.com/support](http://www.vevor.com/support)**

This is the original instruction, please read all manual instructions carefully before operating. VEVOR reserves a clear interpretation of our user manual. The appearance of the product shall be subject to the product you received. Please forgive us that we won't inform you again if there are any technology or software updates on our product.

## Veiligheidsmaatregelen

### WAARSCHUWING:

**Lees deze instructies** voordat u dit product gebruikt. Als u dit niet doet, kan dit leiden tot ernstig letsel. de basisvoorzorgsmaatregelen moeten altijd worden gevolgd , waaronder de volgende:

26. De door-de -muur -dropbox mag niet worden gebruikt of opgeslagen in gevaarlijke gebieden. Het is niet toegestaan het apparaat op gevaarlijke locaties te gebruiken.

27. De door-de-muur-dropbox moet vóór gebruik worden gecontroleerd om er zeker van te zijn dat deze in goede staat verkeert en veilig werkt. Anders mag het apparaat niet worden gebruikt.

**28. U moet uw sleutels of wachtwoorden veilig houden voor iemand anders.**

29. De operator moet de door de muur geplaatste dropbox gebruiken op de juiste manier. Hij moet rekening houden met de plaatselijke omstandigheden en moet bij het werken met de door-de-muur-brievenbus rekening houden met derden , in het bijzonder kinderen .

30. Dit via de muurdropbox is niet bedoeld voor gebruik door personen (inclusief kinderen) met verminderde lichamelijke , zintuiglijke of geestelijke vermogens of gebrek aan ervaring en/of kennis , tenzij zij onder toezicht staan van een persoon die verantwoordelijk is voor hun veiligheid of door deze personen zijn geïnstrueerd

over het gebruik van het apparaat. Op kinderen moet toezicht worden gehouden , om er zeker van te zijn dat ze niet met het apparaat spelen via de muurdropbox .

## BEWAAR DEZE INSTRUCTIES

### Productomschrijving

Model	Kleur	Maat	Grootte van leveringspoort
MA07 3 zwart	B gebrek	13*7*16.9in 330*178*430mm	2,8-7,9 inch 70-200 mm

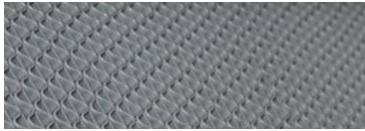
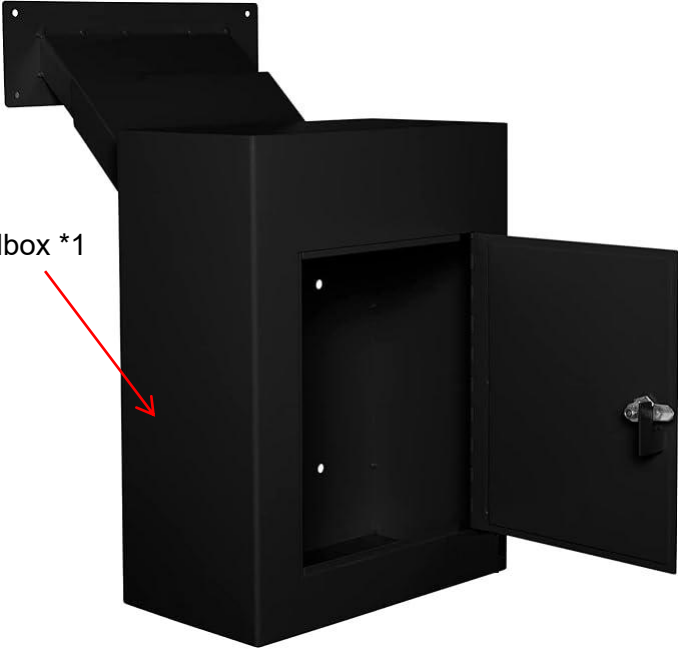
Mount Hardware\*1

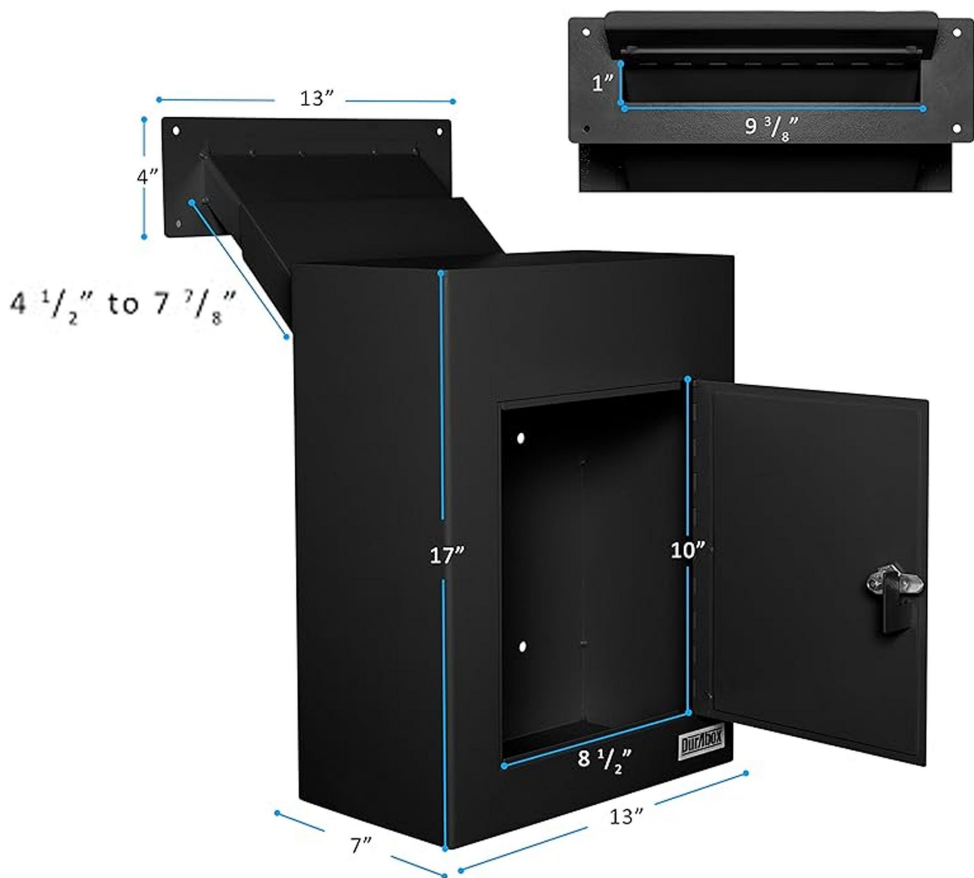


Adjustable Chute \*1



Drop Mailbox \*1





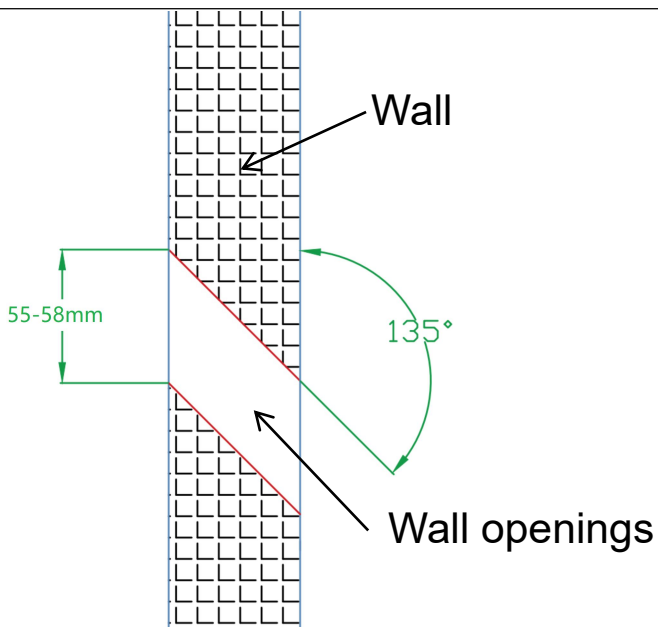
Adjustable Chute



Can be installed on to walls with a thickness of 4 1/2" up to 7 7/8"



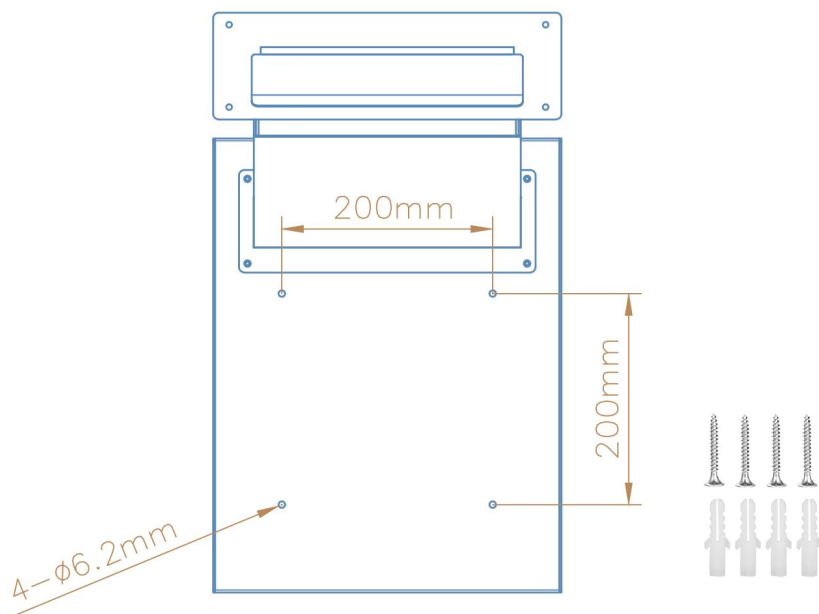
**Zet de montagehardware en de drop-mailbox vast met 4 schroeven.**



**Open het installatiegat in de muur volgens de bovenstaande**



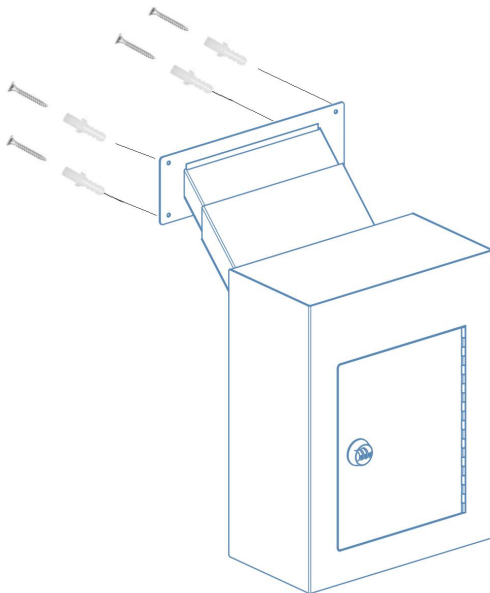
## tekeninggrootte.



16. Plaats de Drop Mailbox in de muur en markeer de 4 gaten op de muur met een stift.

17. Gebruik een boor van 6 mm om 4 gaten te boren op de gemarkeerde positie en plaats 4 plastic stoppen.

18. Bevestig de verstelbare goot aan de muur met 4 schroeven.



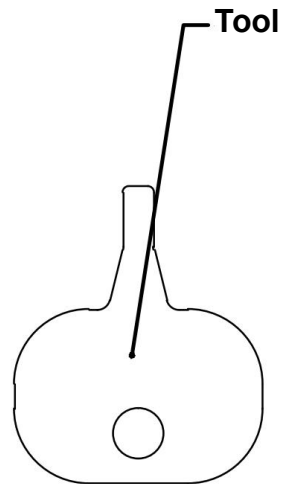
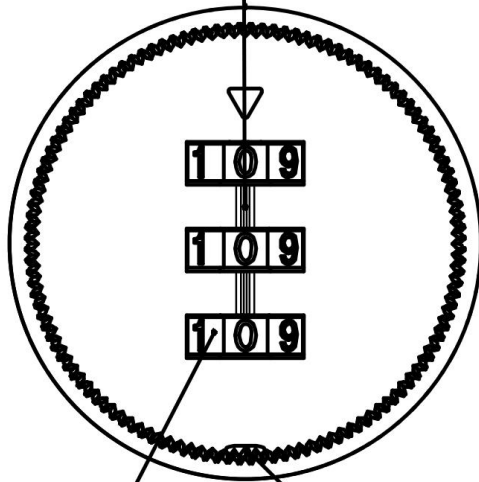
16. Steek de verstelbare goot in de muur en markeer de 4 gaten op de muur met een stift.

17. Gebruik een boor van 6 mm om 4 gaten te boren op de gemarkeerde positie en plaats 4 plastic stoppen.

18. Bevestig de verstelbare goot aan de muur met 4 schroeven.

## Combinatieslot Gebruikershandleiding I

Alignmentline

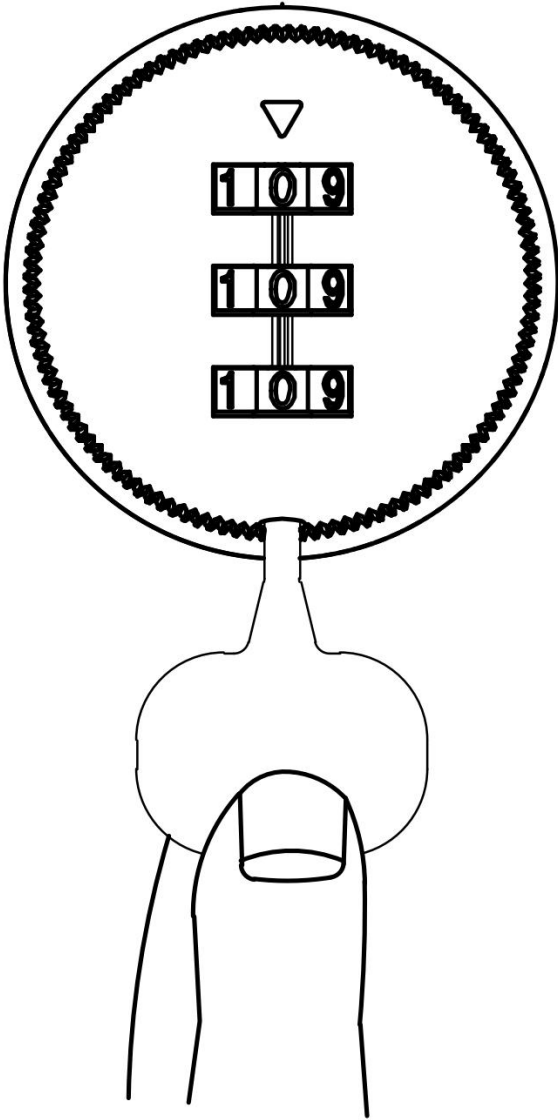


Word wheel

Reset button hole

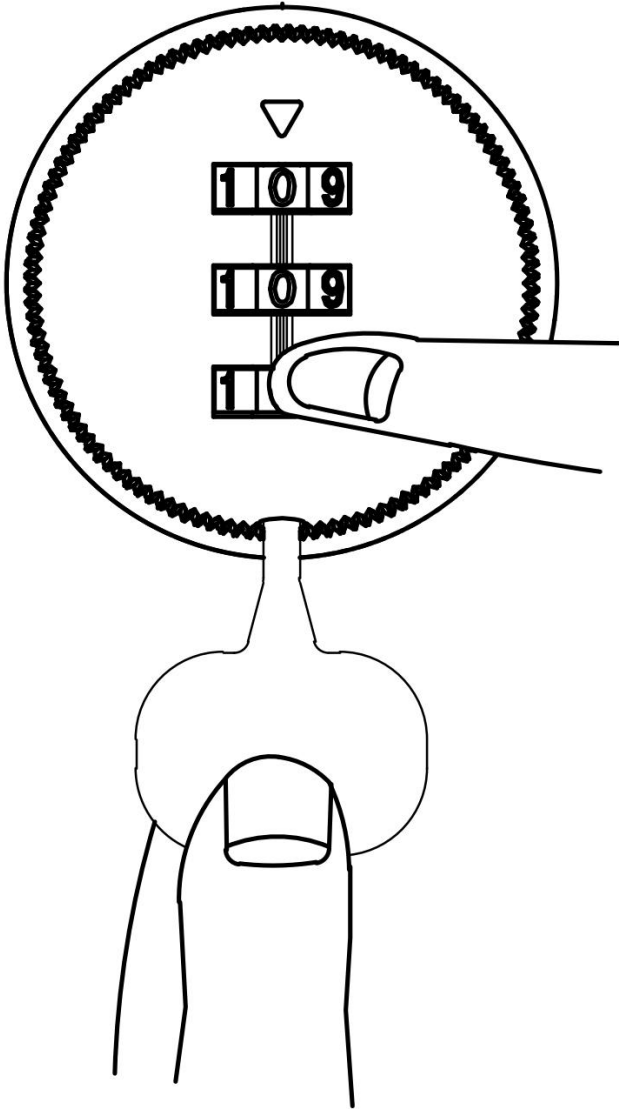
Stap 1

Standaardcode 0-0-0



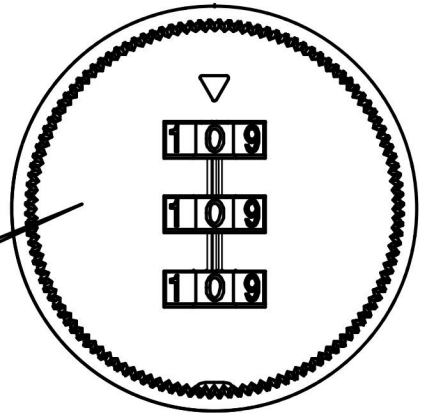
**Stap 2**

**Houd de knop ingedrukt met het gereedschap.**



**Stap 3**

**Stel een nieuwe code in en geef de tool vrij.**



-----

**Houd wachtwoorden in gedachten**

**Stap 4**  
**Nieuwe code opnemen.**

**Fabrikant :** Shanghai muxinmuyeyouxiangongsi

**Adres:** Shuangchenglu 803nong11hao1602A-1609shi, baoshanqu, shanghai 200000 CN.

**Geïmporteerd naar AUS:** SIHAO PTY LTD. 1 ROKEVA  
STREETEASTWOOD NSW 2122 Australië

**Geïmporteerd in de VS:** Sanven Technology Ltd. Suite 250, 9166  
Anaheim

Plaats, Rancho Cucamonga, CA 91730



E-CrossStu GmbH

Mainzer Landstr.69, 60329 Frankfurt am Main.



YH CONSULTING LIMITED.

C/O YH Consulting Limited Office 147, Centurion House,  
London Road, Staines-upon-Thames, Surrey, TW18 4AX







**VEVOR**<sup>®</sup>

**TOUGH TOOLS, HALF PRICE**

**Technisch Ondersteuning en e-garantiecertificaat**

**[www.vevor.com/support](http://www.vevor.com/support)**

# **VEVOR<sup>®</sup>**

**TOUGH TOOLS, HALF PRICE**

Teknisk Support och e-garanticertifikat [www.vevor.com/support](http://www.vevor.com/support)

## **GENOM THE WALL DROP BOX**

### **ANVÄNDARMANUAL**

We continue to be committed to provide you tools with competitive price.

"Save Half", "Half Price" or any other similar expressions used by us only represents an estimate of savings you might benefit from buying certain tools with us compared to the major top brands and does not necessarily mean to cover all categories of tools offered by us. You are kindly reminded to verify carefully when you are placing an order with us if you are actually saving half in comparison with the top major brands.



# VEVOR<sup>®</sup>

TOUGH TOOLS, HALF PRICE

THROUGH THE DOOR  
DROP BOX

MA07 3 svart



**NEED HELP? CONTACT US!**

Have product questions? Need technical support? Please feel free to contact us:

**Technical Support and E-Warranty Certificate**  
**[www.vevor.com/support](http://www.vevor.com/support)**

This is the original instruction, please read all manual instructions carefully before operating. VEVOR reserves a clear interpretation of our user manual. The appearance of the product shall be subject to the product you received. Please forgive us that we won't inform you again if there are any technology or software updates on our product.

## Säkerhetsåtgärder

### **VARNING:**

**Läs dessa instruktioner** innan du använder denna produkt. Underlåtenhet att göra det kan resultera i allvarliga skador. de grundläggande försiktighetsåtgärderna bör alltid följas , inklusive följande:

31. Dropboxen genom väggen får inte användas eller förvaras i farliga områden. Det är inte tillåtet att använda apparaten på farliga platser.

32. genom väggen måste kontrolleras för att säkerställa att den är i korrekt fungerande skick och fungerar säkert före användning. I annat fall får apparaten inte användas.

**33. Du måste förvara dina nycklar eller lösenord skyddade från någon annan.**

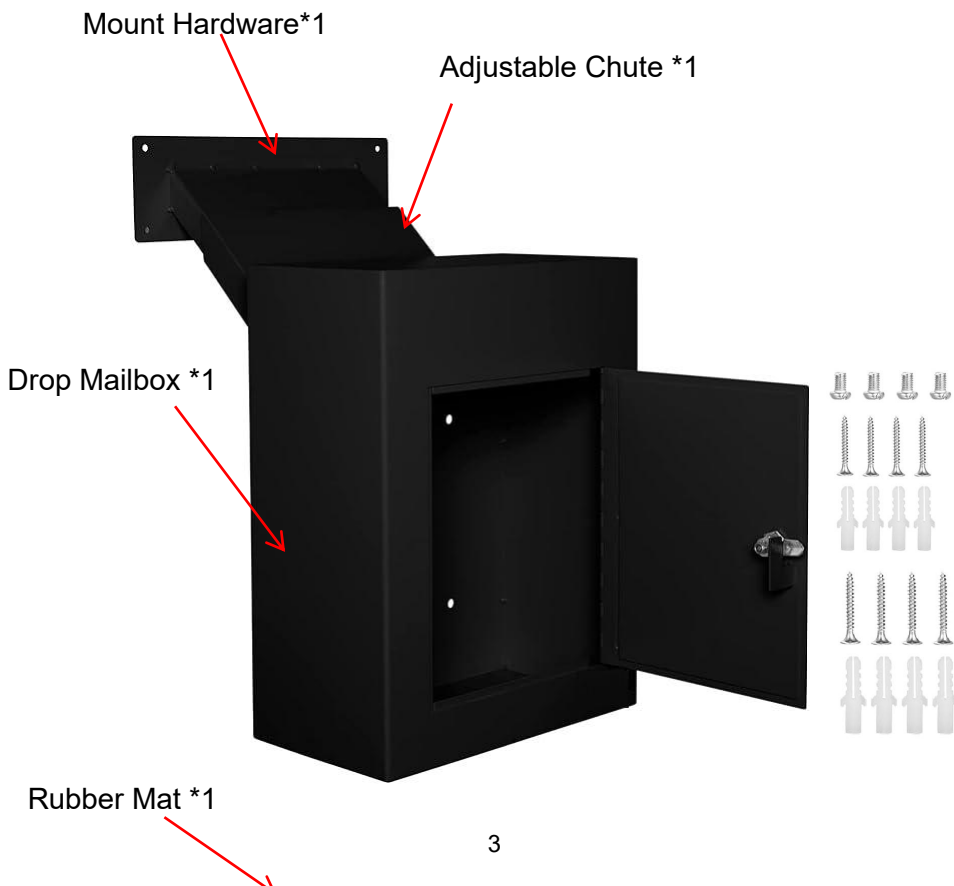
34. Operatören måste använda dropboxen genom väggen ordentligt. Han måste ta hänsyn till de lokala förhållandena och måste vara uppmärksam på tredje part , särskilt barn , när han arbetar med den genom väggen fallbox .

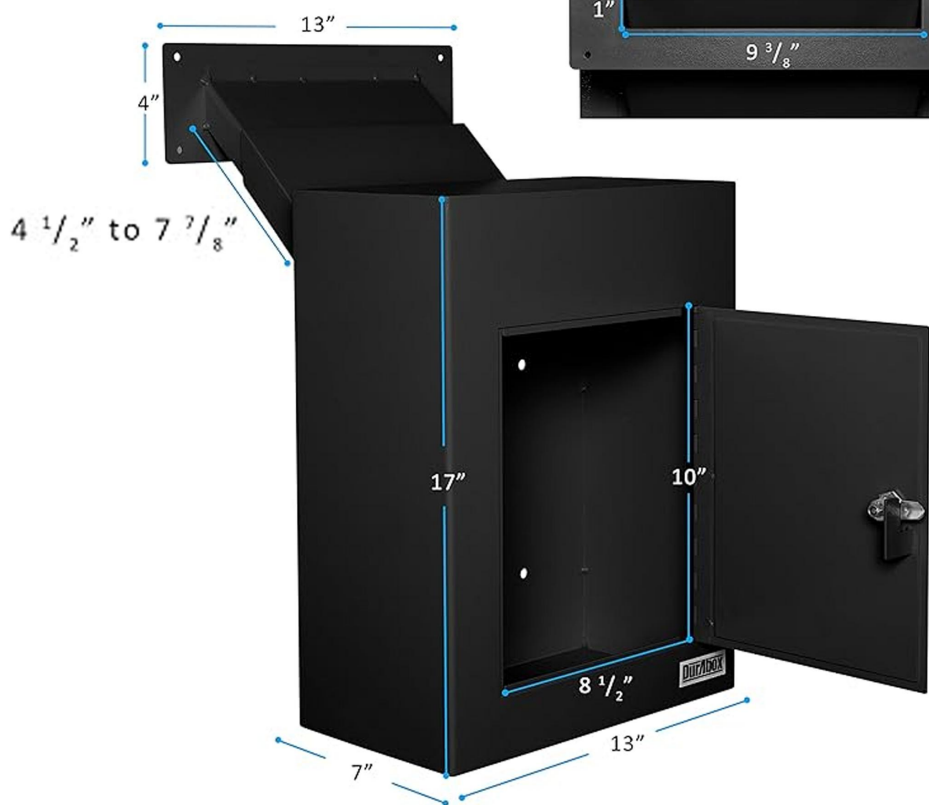
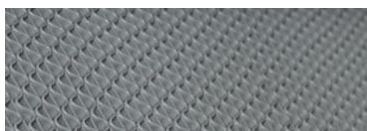
35. Detta genom väggen drop box är inte avsedd att användas av personer (inklusive barn) med nedsatta fysiska , sensoriska eller mentala förmågor eller som saknar erfarenhet och/eller kunskap, såvida de inte övervakas av en person som ansvarar för deras säkerhet eller instrueras av dessa personer om användningen av enheten. Barn bör övervakas för att säkerställa att de inte leker med genom väggen drop box.

# SPARA DESSA INSTRUKTIONER

## Produktbeskrivning

Modell	Färg	Storlek	Leveransportstorlek
MA07 3 svart	B brist	13*7*16,9 tum 330*178*430 mm	2,8-7,9 tum 70-200 mm

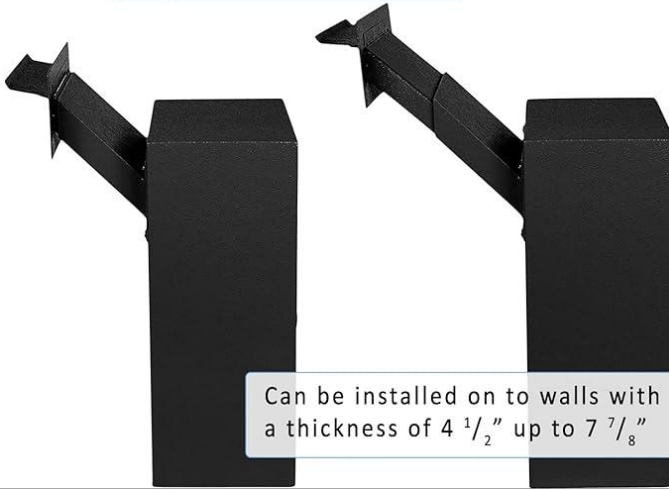


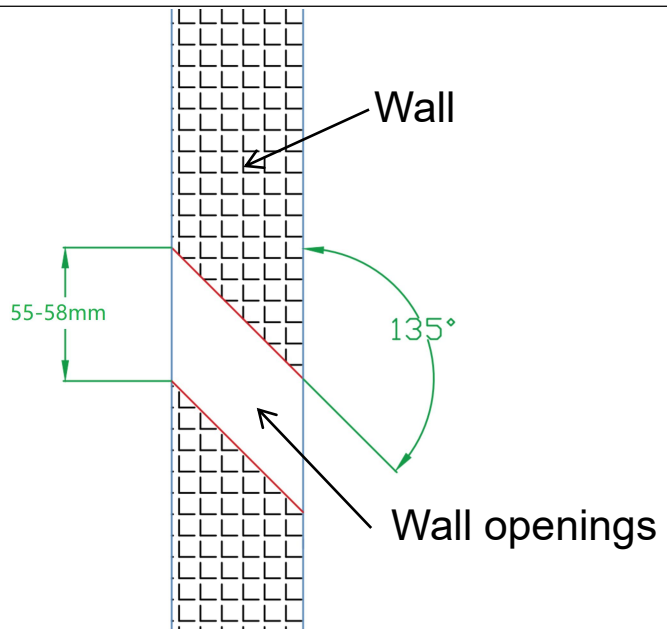


MAX 7.9in/200mm



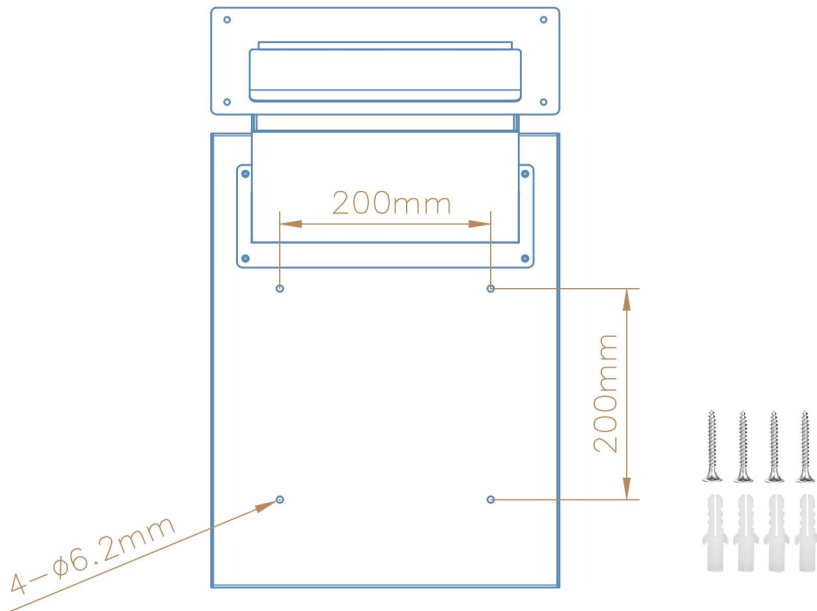
## Adjustable Chute





Enligt ovanstående ritningsstorlek, öppna installationshålet på väggen.



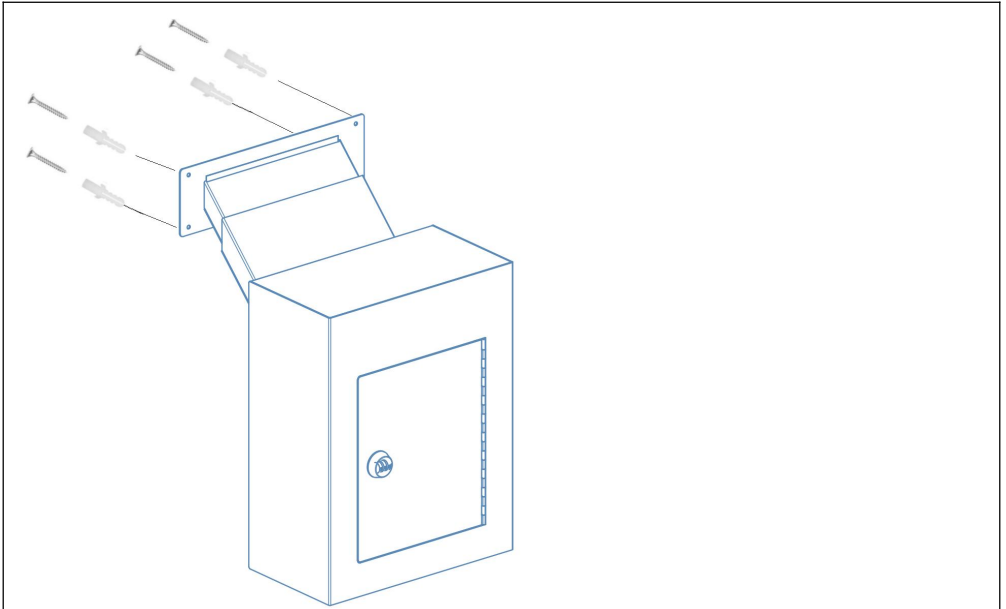


19. Sätt in Drop Mailbox i väggen och markera de 4 hålen på väggen med en markör.

20. Använd en 6 mm borrh för att borra 4 hål vid den markerade positionen och ladda 4 plastproppar.

21. Fäst den justerbara rännen på väggen med 4 skruvar.

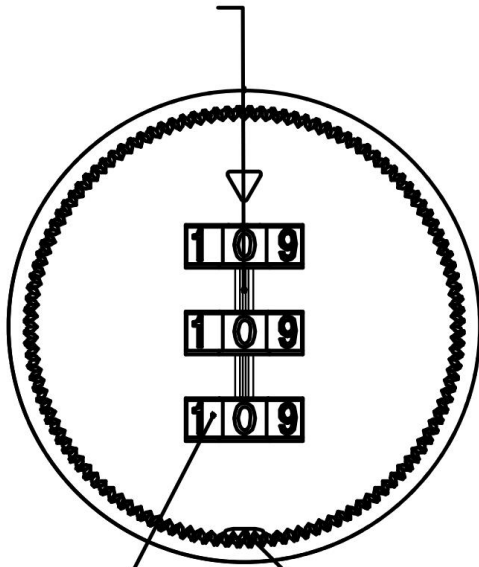




19. Sätt in den justerbara rännen i väggen och markera de 4 hålen på väggen med en markör.
20. Använd en 6 mm borrh för att borra 4 hål vid den markerade positionen och ladda 4 plastproppar.
21. Fäst den justerbara rännen på väggen med 4 skruvar.

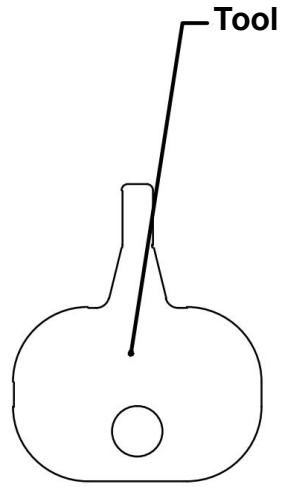
## Kombinationslås I nstruktionsmanual

### Alignmentline



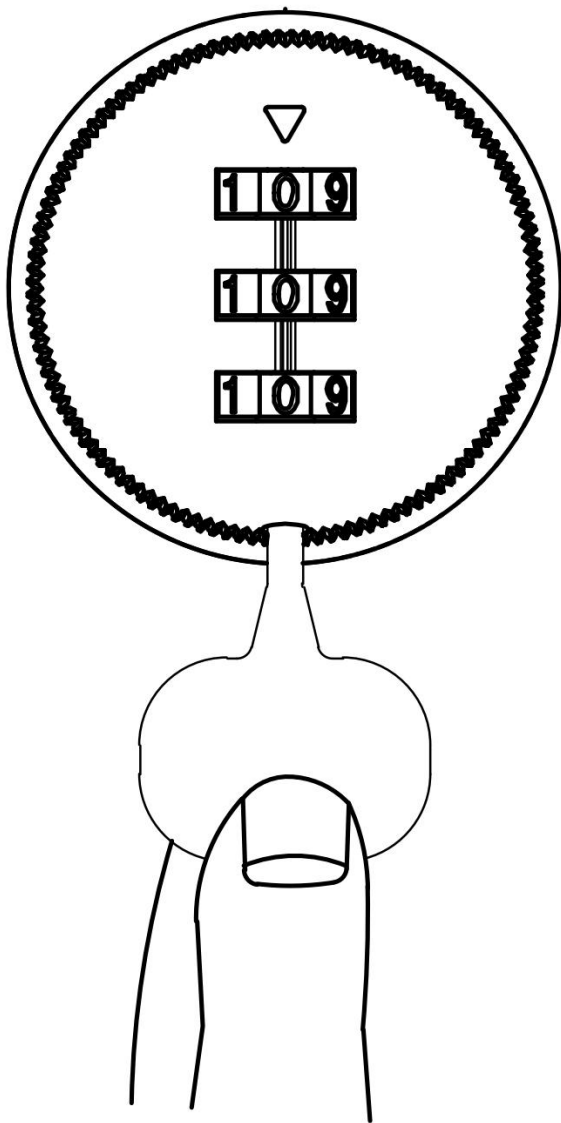
Word wheel

Reset button hole



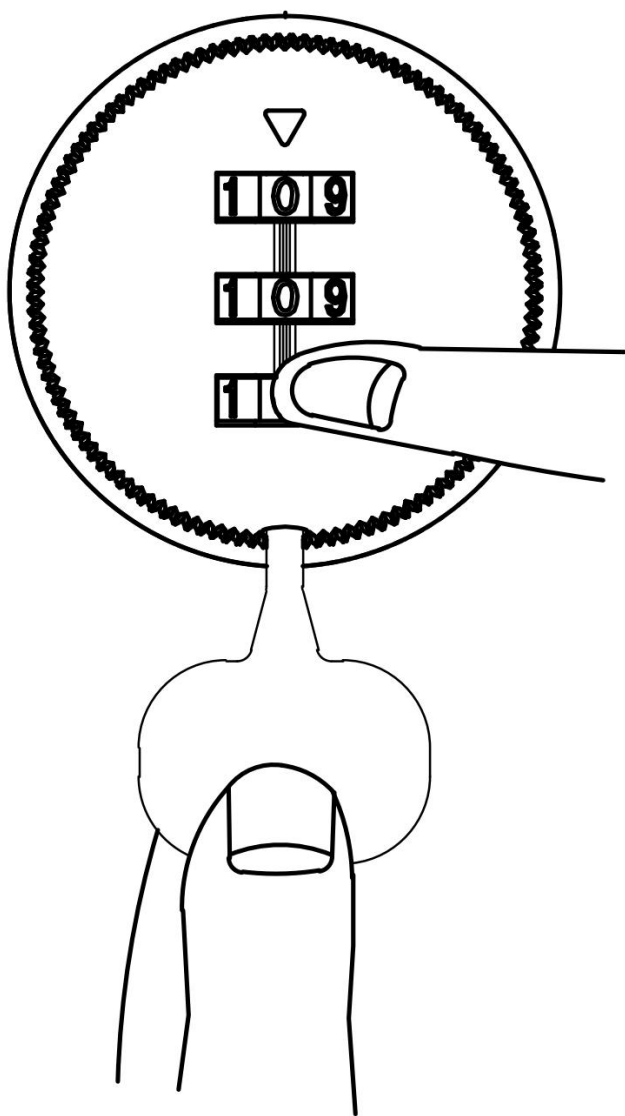
Tool

**Steg 1**  
**Standardkod 0-0-0**



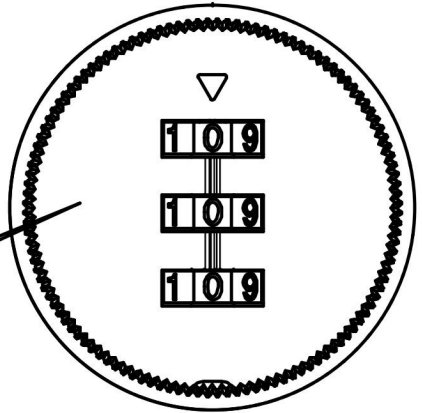
**Steg 2**

**Tryck och håll ned knappen med verktyget.**



**Steg 3**

**Ställ in ny kod och släpp verktyget.**



-----

Ha lösenord i åtanke

**Steg 4**  
Spela in ny kod.



**Tillverkare :** Shanghaimuxinmuyeyouxiangongsi

**Adress:** Shuangchenglu 803nong11hao1602A-1609shi, baoshanqu, shanghai 200000 CN.

**Importerad till AUS:** SIHAO PTY LTD. 1 ROKEVA STREETEASTWOOD NSW 2122 Australien

**Importerad till USA:** Sanven Technology Ltd. Suite 250, 9166 Anaheim Place, Rancho Cucamonga, CA 91730

<b>UK</b>	<b>REP</b>
-----------	------------

E-CrossStu GmbH

Mainzer Landstr.69, 60329 Frankfurt am Main.

<b>EC</b>	<b>REP</b>
-----------	------------

YH CONSULTING LIMITED.

C/O YH Consulting Limited Office 147, Centurion House,  
London Road, Staines-upon-Thames, Surrey, TW18 4AX



**VEVOR**<sup>®</sup>

**TOUGH TOOLS, HALF PRICE**

**Teknisk Support och e-garanticertifikat**

**[www.vevor.com/support](http://www.vevor.com/support)**

# **VEVOR<sup>®</sup>**

**TOUGH TOOLS, HALF PRICE**

Técnico Soporte y certificado de garantía electrónica [www.vevor.com/support](http://www.vevor.com/support)

## **A TRAVÉS DEL BUZÓN DE PARED**

### **MANUAL DE USUARIO**

We continue to be committed to provide you tools with competitive price.

"Save Half", "Half Price" or any other similar expressions used by us only represents an estimate of savings you might benefit from buying certain tools with us compared to the major top brands and does not necessarily mean to cover all categories of tools offered by us. You are kindly reminded to verify carefully when you are placing an order with us if you are actually saving half in comparison with the top major brands.



# VEVOR<sup>®</sup>

TOUGH TOOLS, HALF PRICE

THROUGH THE DOOR  
DROP BOX

MA07 3 negro



**NEED HELP? CONTACT US!**

Have product questions? Need technical support? Please feel free to contact us:

**Technical Support and E-Warranty Certificate**  
**[www.vevor.com/support](http://www.vevor.com/support)**

This is the original instruction, please read all manual instructions carefully before operating. VEVOR reserves a clear interpretation of our user manual. The appearance of the product shall be subject to the product you received. Please forgive us that we won't inform you again if there are any technology or software updates on our product.

## Precauciones de seguridad

### ADVERTENCIA:

**Lea estas instrucciones** antes de usar este producto. De lo contrario, se pueden producir lesiones graves. Siempre se deben seguir las precauciones básicas , incluidas las siguientes:

36. El buzón a través de la pared No se puede utilizar ni almacenar en zonas peligrosas. No está permitido utilizar el aparato en lugares peligrosos.

37. El buzón a través de la pared Se debe verificar para garantizar que esté en buenas condiciones de funcionamiento y que funcione de manera segura antes de su uso. De lo contrario , no se debe utilizar el aparato.

**38. Debes mantener tus claves o contraseñas a salvo de cualquier otra persona.**

39. El operador debe utilizar el buzón a través de la pared. adecuadamente. Debe tener en cuenta las condiciones locales y prestar atención a terceros , en particular a niños , cuando trabaje con el buzón de pared .

40. Esto a través del buzón de la pared. no está destinado a ser utilizado por personas (incluidos niños) con capacidades físicas , sensoriales o mentales reducidas o que carezcan de experiencia y/o conocimientos , a menos que estén supervisados por una persona responsable de su seguridad o sean instruidos por estas personas sobre el uso de el dispositivo. Los niños deben ser supervisados para asegurarse de que no jueguen con el a través del buzón de pared .

# GUARDA ESTAS INSTRUCCIONES

## Descripción del Producto

Modelo	Color	Tamaño	Tamaño del puerto de entrega
MA07 3 negro	Negro	13*7*16,9 pulgadas 330*178*430mm	2,8-7,9 pulgadas 70-200 mm

Mount Hardware\*1

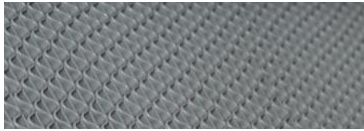
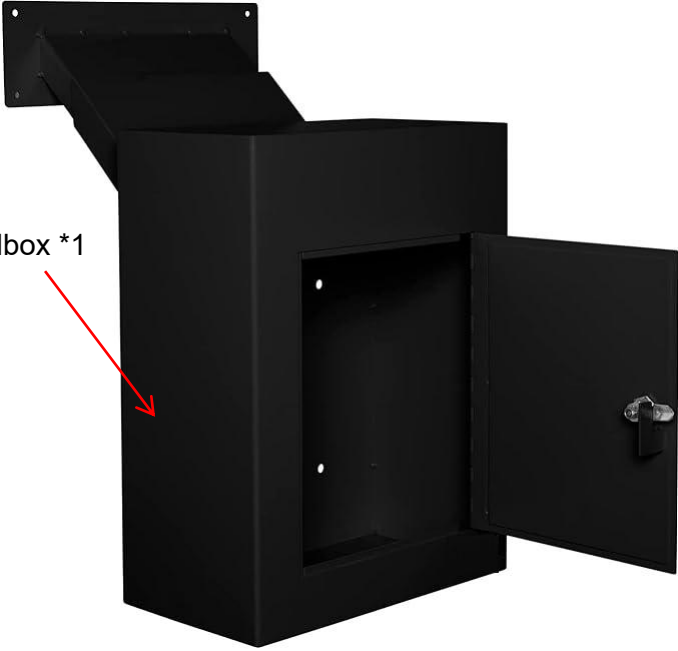


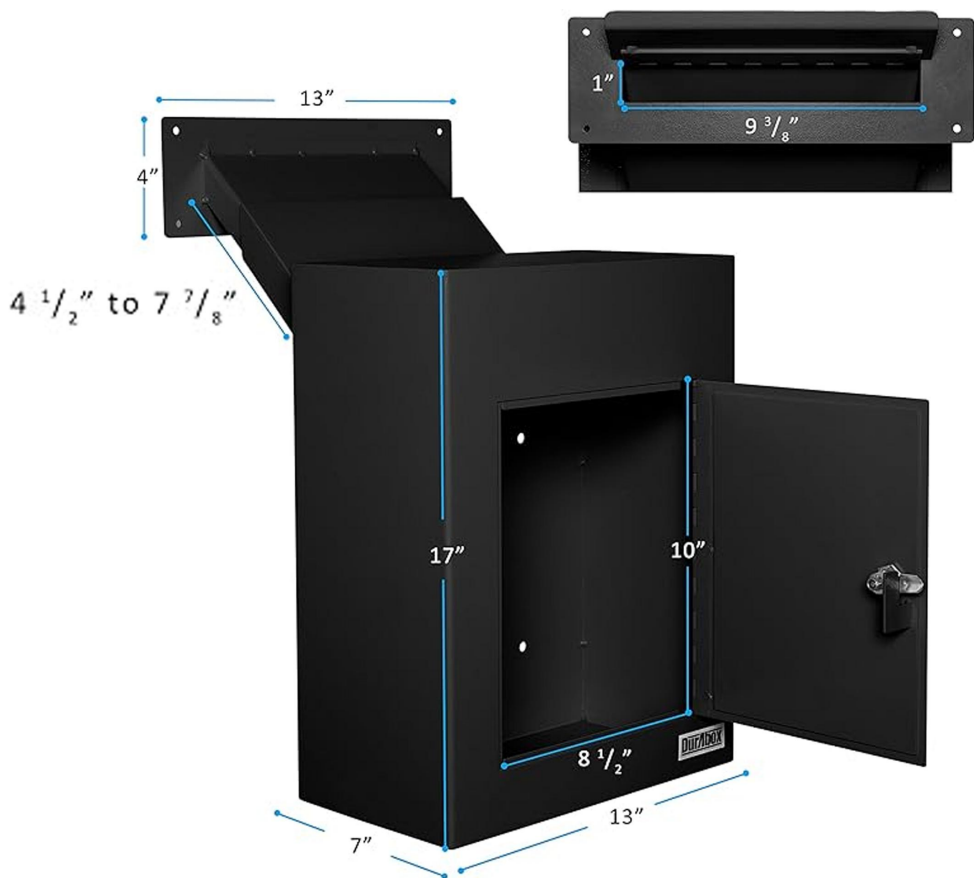
Adjustable Chute \*1





Drop Mailbox \*1





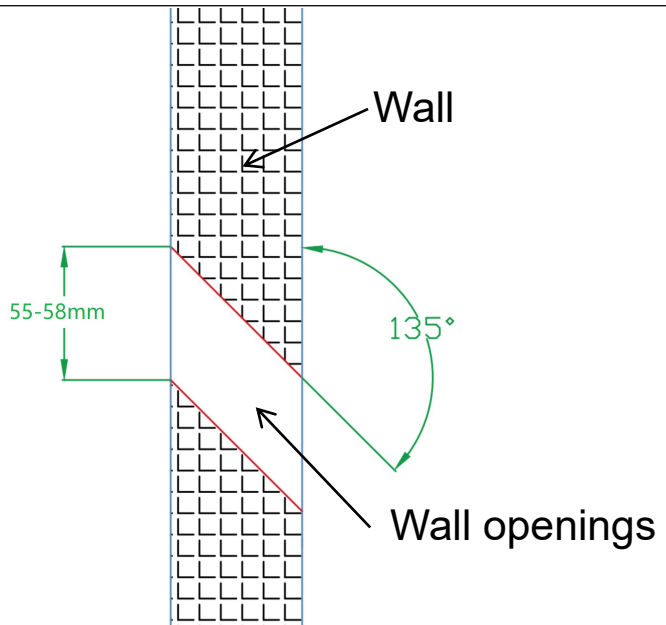
### Adjustable Chute



Can be installed on to walls with a thickness of 4 1/2" up to 7 7/8"



**Asegure el hardware de montaje y el buzón de caída con 4 tornillos.**



**Según el tamaño del dibujo anterior, abra el orificio de**

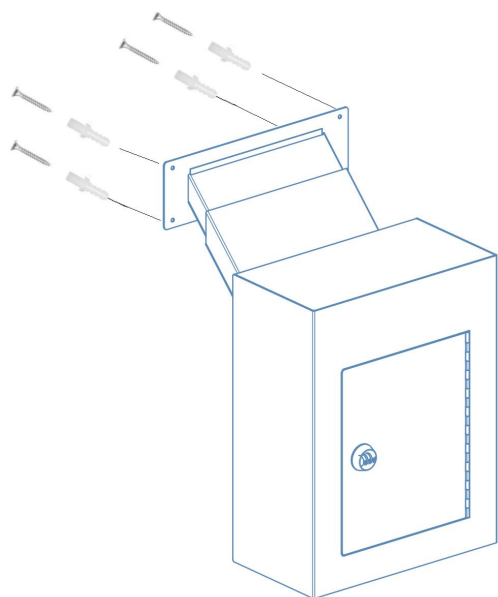
## instalación en la pared.



22. Inserte el Drop Mailbox en la pared y marque los 4 agujeros en la pared con un marcador.

23. Utilice una broca de 6 mm para perforar 4 agujeros en la posición marcada y cargue 4 tapones de plástico.

24. Fije el Canal Ajustable a la pared con 4 tornillos.



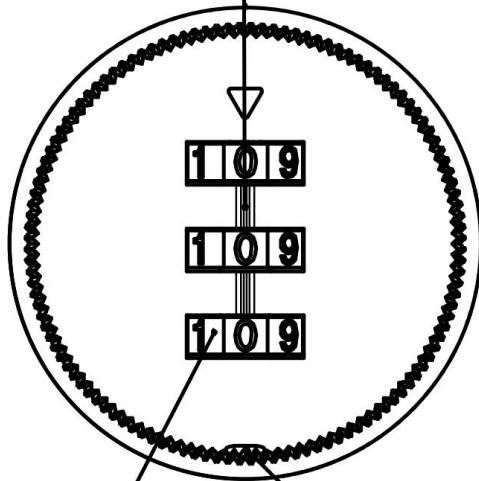
22. Inserte el conducto ajustable en la pared y marque los 4 orificios en la pared con un marcador.

23. Utilice una broca de 6 mm para perforar 4 agujeros en la posición marcada y cargue 4 tapones de plástico.

24. Fije el Canal Ajustable a la pared con 4 tornillos.

## Manual de instrucciones de bloqueo de combinación

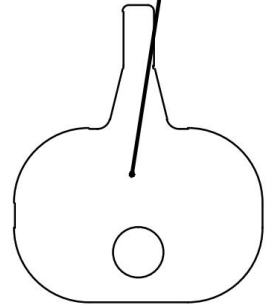
Alignment line



Word wheel

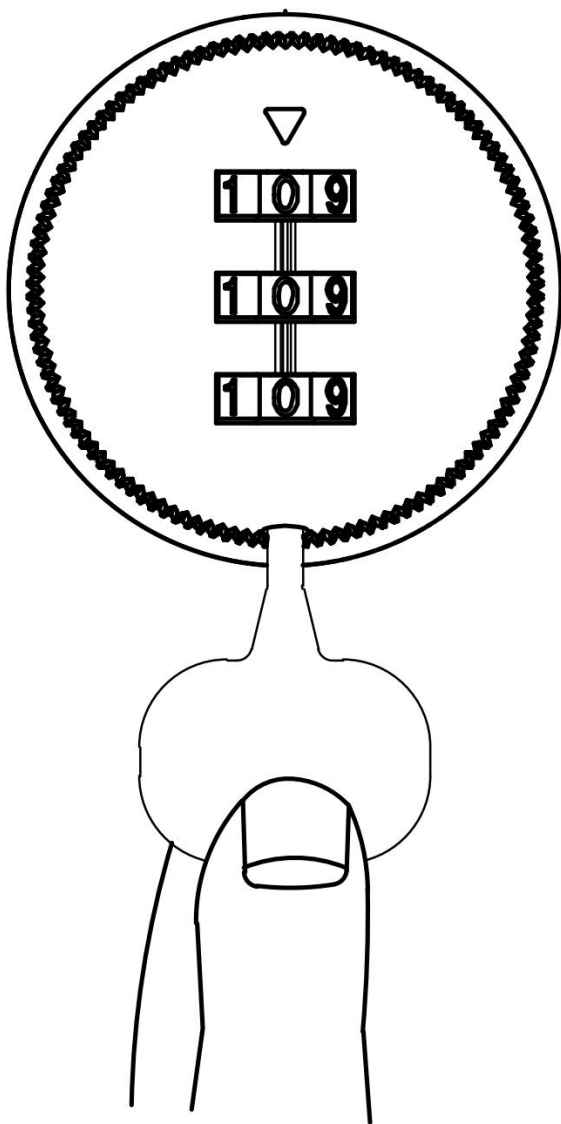
Reset button hole

Tool



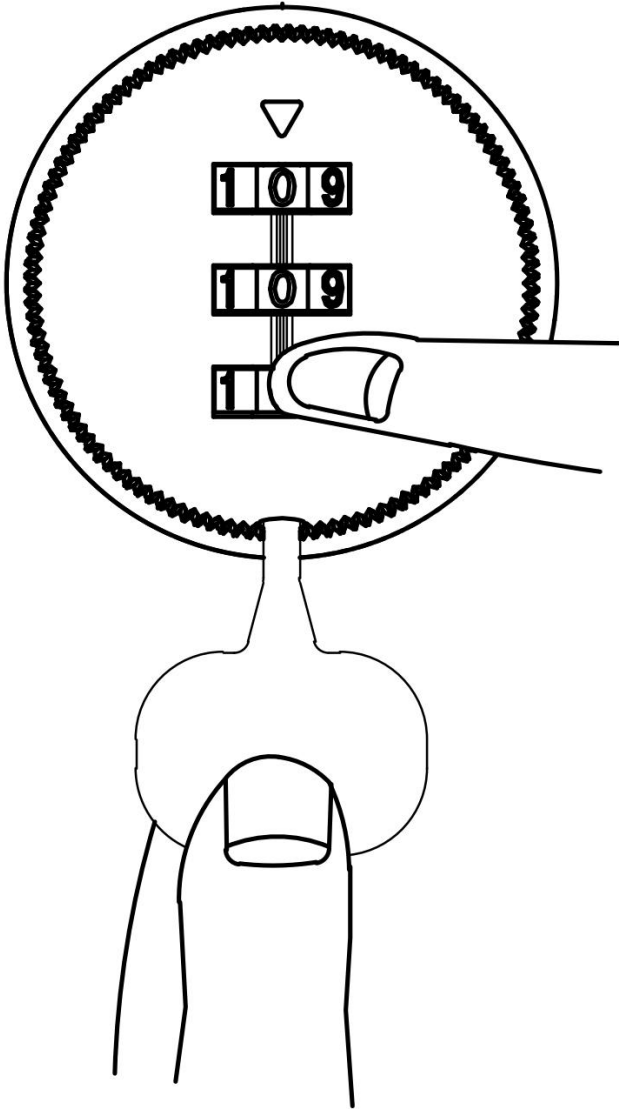
Paso 1

Código predeterminado 0-0-0



**Paso 2**

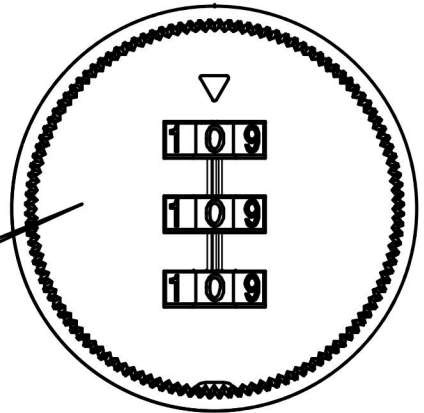
**Mantenga presionado el botón con la herramienta.**



**Paso 3**

**Establecer nuevo código y herramienta de lanzamiento.**





**Tenga en cuenta las contraseñas**

**Etapa 4**  
**Grabar nuevo código.**

**Fabricante :** Shanghaimuxinmuyeyouxiangongsi

**Dirección:** Shuangchenglu 803nong11hao1602A-1609shi, baoshanqu, shanghai 200000 CN.

**Importado a AUS:** SIHAO PTY LTD. 1 ROKEVA STREET ASTWOOD NSW 2122 Australia

**Importado a EE. UU.:** Sanven Technology Ltd. Suite 250, 9166 Anaheim Lugar, Rancho Cucamonga, CA 91730

<b>UK</b>	<b>REP</b>
-----------	------------

E-CrossStu GmbH

Mainzer Landstr.69, 60329 Frankfurt am Main.

<b>EC</b>	<b>REP</b>
-----------	------------

YH CONSULTING LIMITED.

C/O YH Consulting Limited Office 147, Centurion House, London Road, Staines-upon-Thames, Surrey, TW18 4AX





**VEVOR**<sup>®</sup>

**TOUGH TOOLS, HALF PRICE**

**Técnico Certificado de soporte y garantía electrónica**

**[www.vevor.com/support](http://www.vevor.com/support)**