

# **VEVOR<sup>®</sup>**

**TOUGH TOOLS, HALF PRICE**

Technical Support and E-Warranty Certificate [www.vevor.com/support](http://www.vevor.com/support)

## **DOG GROOMING TUB**

**MODEL: K1E01027-U/K1E01027-E/K1E01027-A  
K1E01028-U/K1E01028-E/K1E01028-A**

We continue to be committed to provide you tools with competitive price.

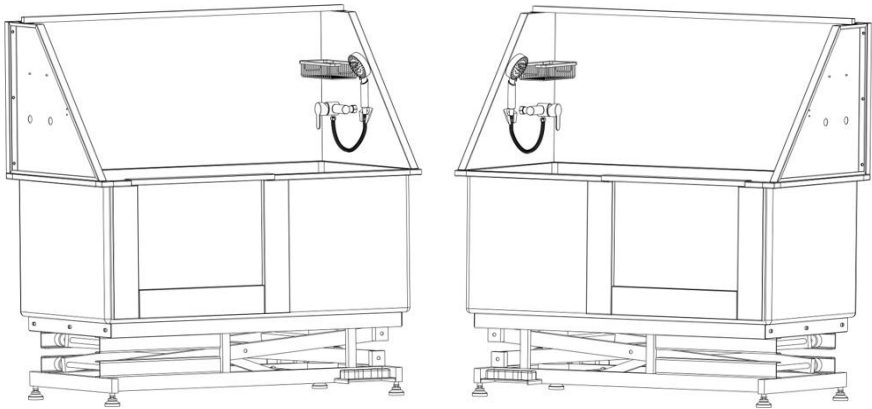
"Save Half", "Half Price" or any other similar expressions used by us only represents an estimate of savings you might benefit from buying certain tools with us compared to the major top brands and does not necessarily mean to cover all categories of tools offered by us. You are kindly reminded to verify carefully when you are placing an order with us if you are actually saving half in comparison with the top major brands.

# VEVOR®

TOUGH TOOLS, HALF PRICE

## DOG GROOMING TUB

**MODEL: K1E01027-U/K1E01027-E/K1E01027-A  
K1E01028-U/K1E01028-E/K1E01028-A**



### NEED HELP? CONTACT US!

Have product questions? Need technical support? Please feel free to contact us:



**Technical Support and E-Warranty Certificate**  
**[www.vevor.com/support](http://www.vevor.com/support)**

This is the original instruction, please read all manual instructions carefully before operating. VEVOR reserves a clear interpretation of our user manual. The appearance of the product shall be subject to the product you received. Please forgive us that we won't inform you again if there are any technology or software updates on our product.



**WARNING:** Read and understand this entire manual before operating or servicing this product. Failure to follow these warnings and instructions can cause personal injury or damage to valuable property.

- Avoid children using grooming tub. And this product is not a toy. Do not allow children to play.
- Keep away from sharp points, blades and other items.
- Assembly precautions
  1. Assemble only according to these instructions. Improper assembly can create hazards.
  2. Wear ANSI-approved safety goggles and heavy-duty work gloves during assembly.
  3. Keep assembly area clean and well-lit.
  4. Keep bystanders out of the area during assembly.
  5. Do not assemble when tired or when under the influence of alcohol, drugs or medication.
  6. Product capabilities apply to properly and completely assembled product only.
  7. For additional information regarding the parts listed in the following pages, please refer to the Assembly Diagram of this manual. Unwrap and separate all parts in a clean work area. Please keep small spare parts out of children's reach.

	This device complies with Part 15 of the FCC Rules. Operation is subject to the following two conditions:(1)This device may not cause harmful interference, and (2)this device must accept any interference received, including interference that may cause undesired operation.
	This product is subject to the provision of European Directive 2012/19/EC. The symbol showing a wheeled bin crossed through indicates that the product requires separate refuse collection in the European Union. This applies to the product and all accessories marked with this symbol. Products marked

as such may not be discarded with normal domestic waste, but must be taken to a collection point for recycling electrical and electronic devices

## SAVE THESE INSTRUCTIONS

### PREPARATIONS BEFORE INSTALLATION

#### 1.Recommended Tools:

Phillips screwdriver, M4 wrench, Spirit level,

#### 2.Necessary safety equipment:

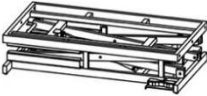



Gloves,goggles.

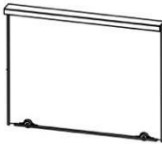
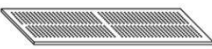

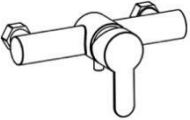
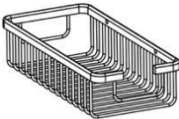



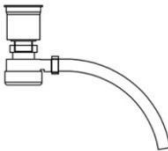
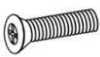

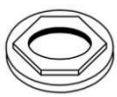




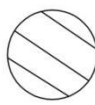


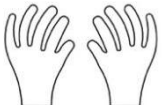
**Caution:**Before installing the product, wear gloves and goggles to avoid possible physical damage during installation.







### INSTRUCTIONS

Thank you very much for choosing this pet bathtub. Please read all of the instructions before using it. The information will help you achieve the best possible results.

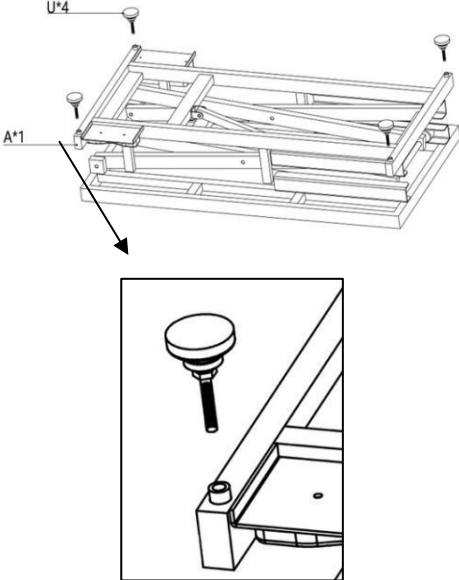
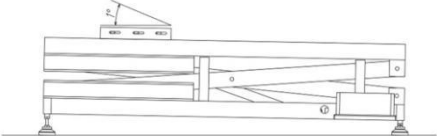
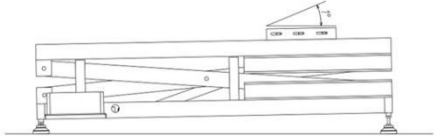
#### Parts List

			
A*1	B*1	C*1	D*1
Bottom bracket	Tub	Right side panel	Left side panel

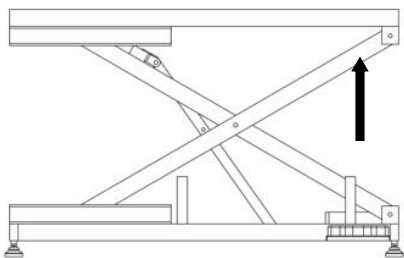
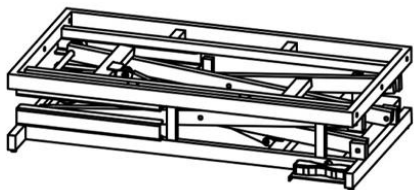
			
E*1	F*1	G*1	H*1
Door	Water filter plate	Back panel	Faucet switch
			
J*1	K*1	L*1	M*1 (600mm)
Storage basket	Shower head	Shower hose	Inlet pipe
			
N*1	P*4 (M4*15mm)	Qx4	R*2
Strainer	Screw	Hex flange nut	Nut
			
S*1	T*1	U*4	V*2
Shower bracket	Comb	Adjustable foot	Sling
			
W*2	Y*20 (M6*15mm)	Z*6 (M12*30mm)	AA*1
Play ball	Screw	Screw	Gloves

		
AC*2	AB*1	AD*2
Washer	Crossbar	Nut
		
AE*1	AF*2	AG*1
Sealing tape	Handle	Wrench

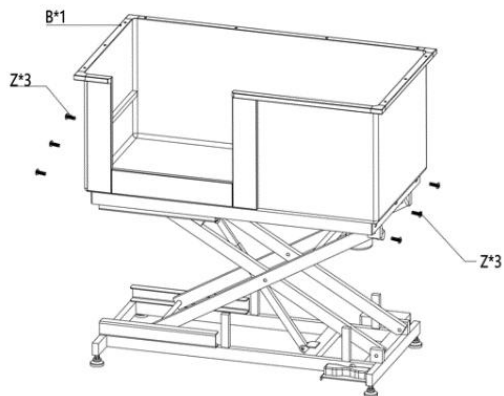
### Installation Steps

	<p>① Install the adjustable feet(U) to the H rack(A).</p> <p><b>Caution:</b>Ensure that the depth of adjustable feet is not less than 12mm, and try to make the four adjustable feet screw in the same depth. Please tighten the spare nut during the installation, and adjust it later.</p>
	

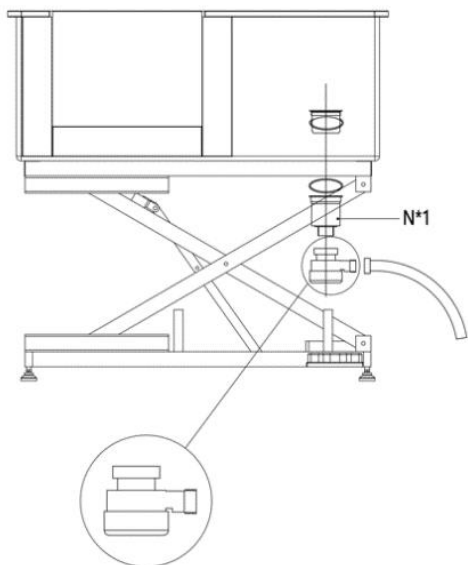
② Flip the bottom bracket, adjust the height of the feet to make sure the height of water outlet side is 1-2 degrees lower than the other side (use a spirit level to show)



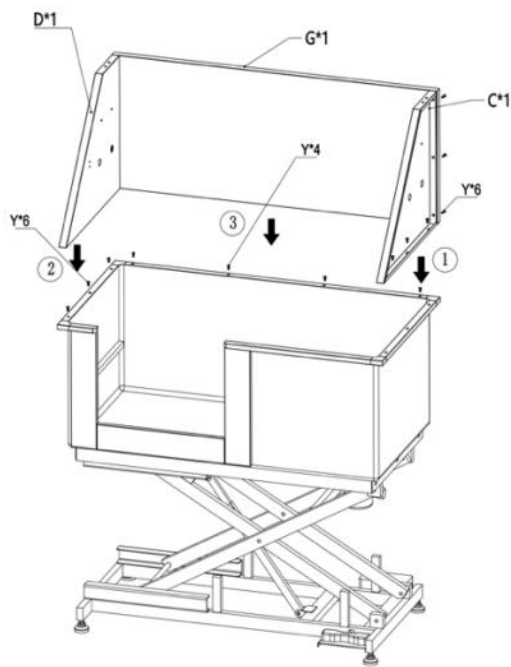
③ Plug in and then press the “+” button of the pedal, and raise the stand to a height of 450-500mm



④ Flip the bottom bracket(Z) and use screw(Z) to fix the bottom bracket and tub(B)

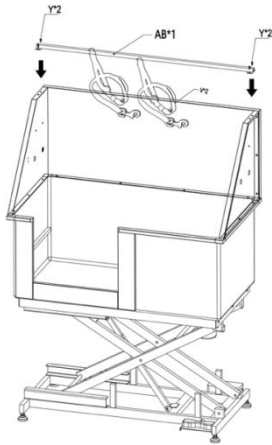


⑤ Install the strainer(N),  
**Make sure the drainpipe is facing outwards so that they are not compressed during the lowering of the bottom bracket**  
**Caution:**Ensure that the depth of adjustable feet is not less than 12mm, and try to make the four adjustable feet screw in the same depth. Please tighten the spare nut during the installation, and adjust it later.

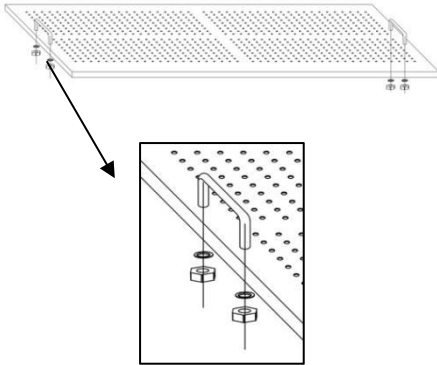


⑥ Use screw(Y) to fix the left and right side board(D & C), then use screw(Y) to fix the back panel(G), last to use screw(Y) to fix side board and back board

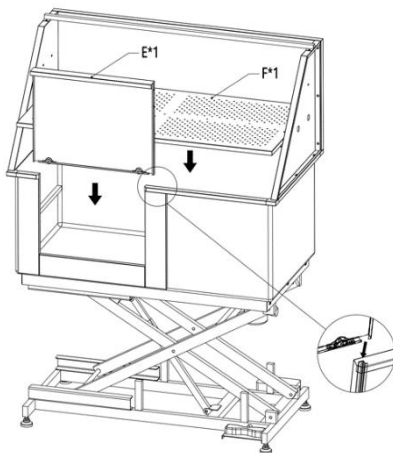




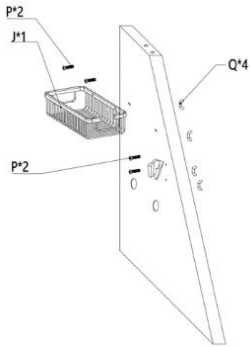
⑦ Use screw(Y) to fix the crossbar (AB) to the left and right side panel, then install the sling



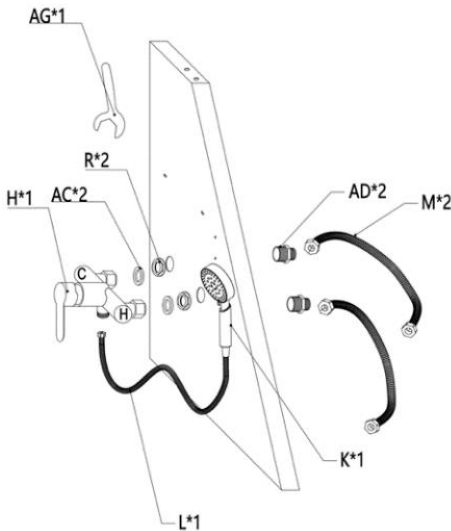
⑧ Install the handle to the water filter plate



⑨ Install door(E) and water filter plate (F)



⑩ Use screw(P) and hex flange nut(Q) to install the storage basket(J) and shower bracket(S) to the right side panel(C)



⑪ Install hot and cold shower switch and water inlet.  
**Caution: Before you do this, make sure that your water source is on the left or right side of the bathtub, and select the direction of installation of the tap switch.**  
**Step1:** Pass straight all-copper connector(AD) through side panel (1/2 “ end facing outside), screw nut R2 into the other end of the connector and use wrench(AG) screw down.

**Step2:** Align the faucet switch (H) with the connector (AD), then tighten the two nuts on the switch (H), and note that the sealing ring inside the nut is intact.

**Step3:** Connect the hose (M) at the water inlet end and the shower hose (L) at the faucet outlet. Also, when tightening the nut, pay attention to whether the sealing ring inside the nut is intact.

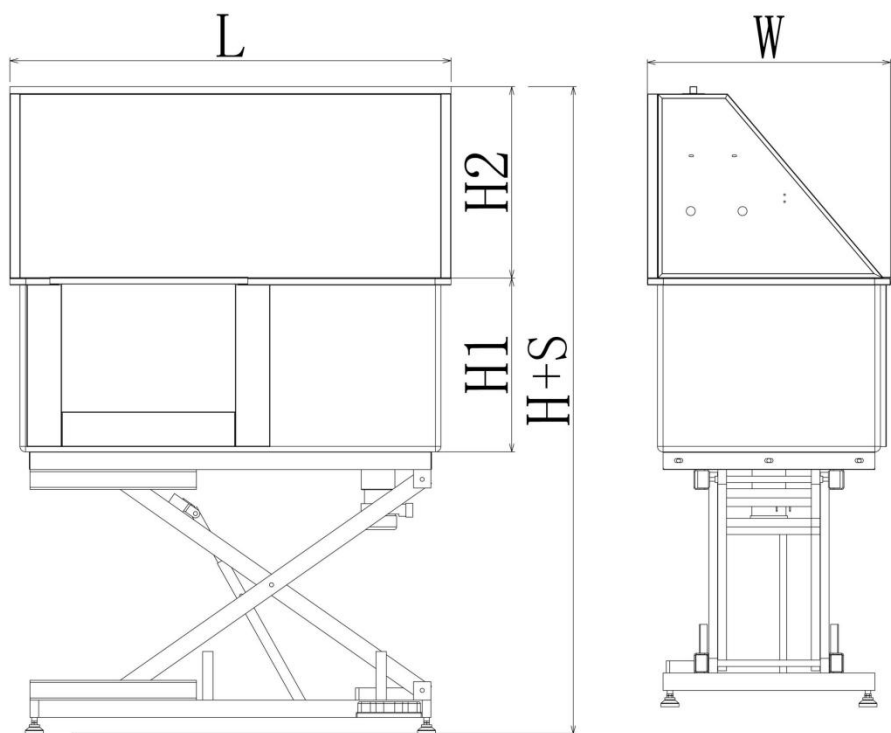
**Step4:** The other end of the hose (M) is connected to the water source, pay attention to the hot and cold water mark on the faucet switch (H), “H” represents hot water, and connect the hose on this side to the hot water source, while the other side is connected to the cold, also pay attention to whether the seal ring inside the hose end nut is intact.

**Caution:**The inlet hose is only 600mm long, if you want to lengthen it, please purchase it separately (Caliber:20mm)

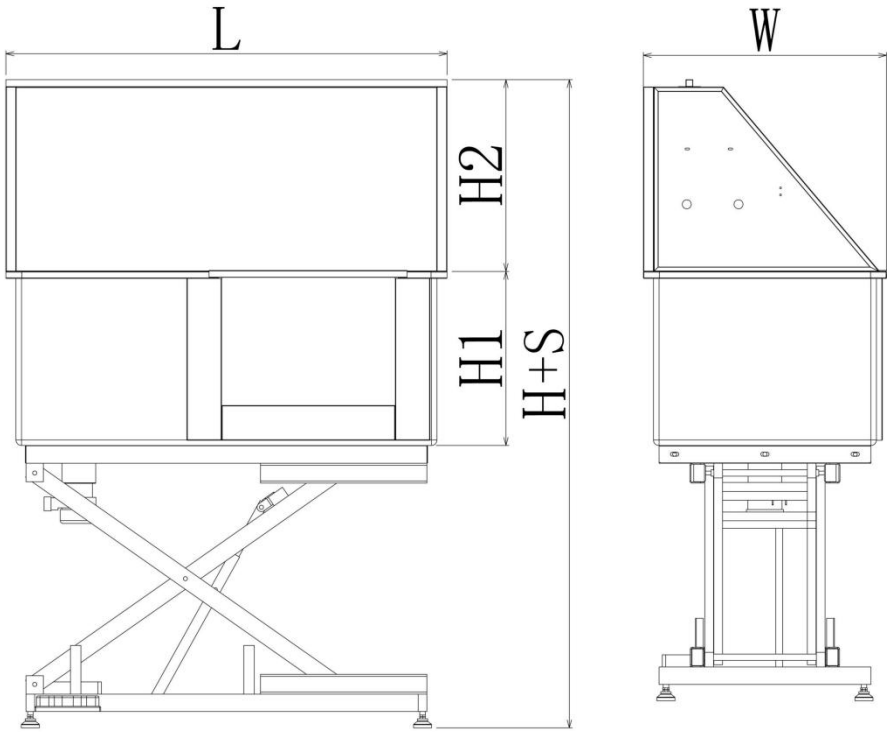
**Caution:**Optional use of sealing tape(AE) when installing the nut(AD).It can make the installation more sealed and help prevent water leakage at the joint.

## DIMENSIONS AND PARAMETERS

Left Door



## Right Door



Model#	L(mm)	H(mm)	S(mm)	H1(mm)	H2(mm)	W(mm)	N.W. (kg)
K1E01027-U	1270	1295	565	500	530	700	82.8
K1E01028-U	1270	1295	565	500	530	700	82.8
K1E01027-E	1270	1295	565	500	530	700	82.8
K1E01028-E	1270	1295	565	500	530	700	82.8
K1E01027-A	1270	1295	565	500	530	700	82.8
K1E01028-A	1270	1295	565	500	530	700	82.8

Model	K1E01027-U K1E01028-U	K1E01027-E K1E01028-E	K1E01027-A K1E01028-A
Dimension:	L1270xW700xH1295-1860(min)		
Travel	560mm		

Loading Capacity:	150kg/330lb		
Plug standard	American plug	europug	Australian plug
Overload indication	Yes	Yes	Yes
Power:	50W	90W	90W
Voltage:	AC120V	AC220-240V	AC220-240V

## OVERLOAD INDICATION

The electric push rod is equipped with over-current and over-heat protection. When the current is too large or the temperature is too high, the control box will start the protection measures and stop working. After the system takes a rest, the control box will automatically return to normal. **It is recommended to work for 2 minutes. Take a rest for 18 minutes, which can prevent the system from entering the protection mode and affect the normal work.**

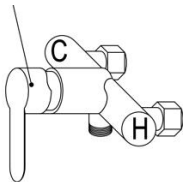
## FOOT BUTTON FUNCTIONS

### Button Functions

1. **“+” Button:** Pressing “+” button will rise the height.
2. **“-” Button:** Pressing “-” will reduce the height.

## OPERATION

1. Make sure the water pipe connection is complete and the water is flowing normally. (Connect the hot and cold water pipes according to the hot and cold water signs of the faucet switch)



"C": Cold water; "H": Hot water

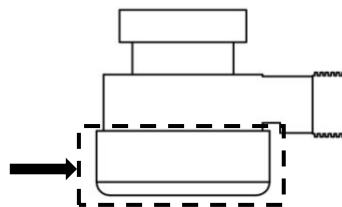
2. Lower the bathtub to the lowest height, open the door, and let the pet walk into the bathtub by itself or hold the pet inside the tub by yourself, then close the door.
3. Start to bath.
4. After the bath, let the water out of the tub and take the animal out.
5. Clean the tub with a cloth.

## MAINTENANCE

1. In between use, the tub should be cleaned with a soft cloth or sponge using a mild cleaning agent.

2. Pay attention to regularly clean the hair of the drain to avoid clogging.

3. Please clean the transparent cover of the drain regularly. After disassembly like a nut, it can be easily cleaned, and be careful not to leave the seal ring when installing it back.



## CARE INSTRUCTIONS

Don't put the bathtub on an uneven surface.

Don't drop or mistreat the bathtub.

Don't overload the scale. This will permanently damage it!

If the machine cannot be lifted normally, please disconnect the power supply and check whether the wiring port is loose.

The faucet is leaking, please check whether the waterproof rubber plug is installed, if it is damaged, it needs to be replaced in time.

**Manufacturer:** Shanghaimuxinmuyeyouxiangongsi

**Address:** Shuangchenglu 803nong11hao1602A-1609shi, baoshanqu, shanghai 200000 CN.

**Imported to AUS:** SIHAO PTY LTD. 1 ROKEVA STREETEASTWOOD NSW 2122 Australia

**Imported to USA:** Sanven Technology Ltd. Suite 250, 9166 Anaheim Place, Rancho Cucamonga, CA 91730

<b>UK</b>	<b>REP</b>
-----------	------------

YH CONSULTING LIMITED. C/O YH Consulting Limited Office 147, Centurion House, London Road, Staines-upon-Thames, Surrey, TW18 4AX

<b>EC</b>	<b>REP</b>
-----------	------------

E-CrossStu GmbH  
Mainzer Landstr.69,  
60329 Frankfurt am Main.

**VEVOR**<sup>®</sup>

**TOUGH TOOLS, HALF PRICE**

**Technical Support and E-Warranty Certificate**

**[www.vevor.com/support](http://www.vevor.com/support)**