

# **VEVOR<sup>®</sup>**

## **TOUGH TOOLS, HALF PRICE**

Technical Support and E-Warranty Certificate [www.vevor.com/support](http://www.vevor.com/support)

## **WALK IN CHICKEN COOP**

### **USER MANUAL**

We continue to be committed to provide you tools with competitive price.

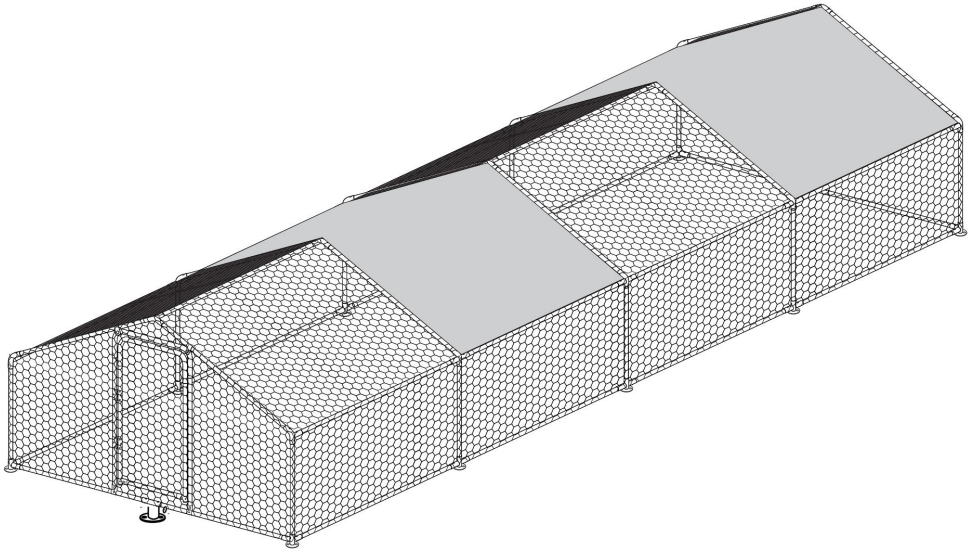
"Save Half", "Half Price" or any other similar expressions used by us only represents an estimate of savings you might benefit from buying certain tools with us compared to the major top brands and does not necessarily mean to cover all categories of tools offered by us. You are kindly reminded to verify carefully when you are placing an order with us if you are actually saving half in comparison with the top major brands.

# VEVOR®

TOUGH TOOLS, HALF PRICE

## WALK IN CHICKEN COOP

RA382



### NEED HELP? CONTACT US!

Have product questions? Need technical support? Please feel free to contact us:

**Technical Support and E-Warranty Certificate**  
[www.vevor.com/support](http://www.vevor.com/support)

This is the original instruction, please read all manual instructions carefully before operating. VEVOR reserves a clear interpretation of our user manual. The appearance of the product shall be subject to the product you received. Please forgive us that we won't inform you again if there are any technology or software updates on our product.

# Safety precautions

## WARNING:

**Read this instructions** before using this product. Failure to do so can result in serious injury. the basic precautions should always be followed,including the following:

1. The walk in chicken coop may not be used or stored in hazardous areas.

It is not allowed to use the appliance in hazardous locations.

2. The walk in chicken coop must be checked to ensure that it is in proper working order and is operating safely prior to use. Otherwise,the appliance must not be used.

3. Please clear the roof of the snow regularly, as too much snow will collapse the tarpaulin.

4. The operator must use the walk in chicken coop properly. He must consider the local conditions and must pay attention to third parties,in particular children,when working with the walk in chicken coop.

5. This walk in chicken coop is not intended for use by persons (including children) with reduced physical,sensory or mental abilities or lacking experience and/or knowledge,unless they are super-vised by a person responsible for their safety or are instructed by these persons on the use of the device. Children should be supervised,to ensure that they do not play with the walk in chicken coop.

## SAVE THESE INSTRUCTIONS

# Product List



**1** x4pcs 1410mm



**2** x20pcs 1870mm



**3** x10pcs 970mm



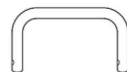
**4** x4pcs 1480mm



**5** x1pcs 510mm



**6** x1pcs 920mm



**7** x1pcs 820mm



**D1** x1pcs 1640mm +1570mm



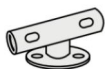
**D2** x1pcs 1570mm



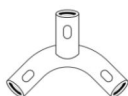
**D3** x1pcs 1640mm



**A** x4pcs



**B** x2pcs



**C** x6pcs



**D** x2pcs



**E** x8pcs



**F** 60m x1pcs



**G** x2pcs



**H** x12pcs



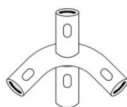
**I** x4bags



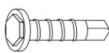
**J** x28pcs



**K** x6pcs



**L** x9pcs



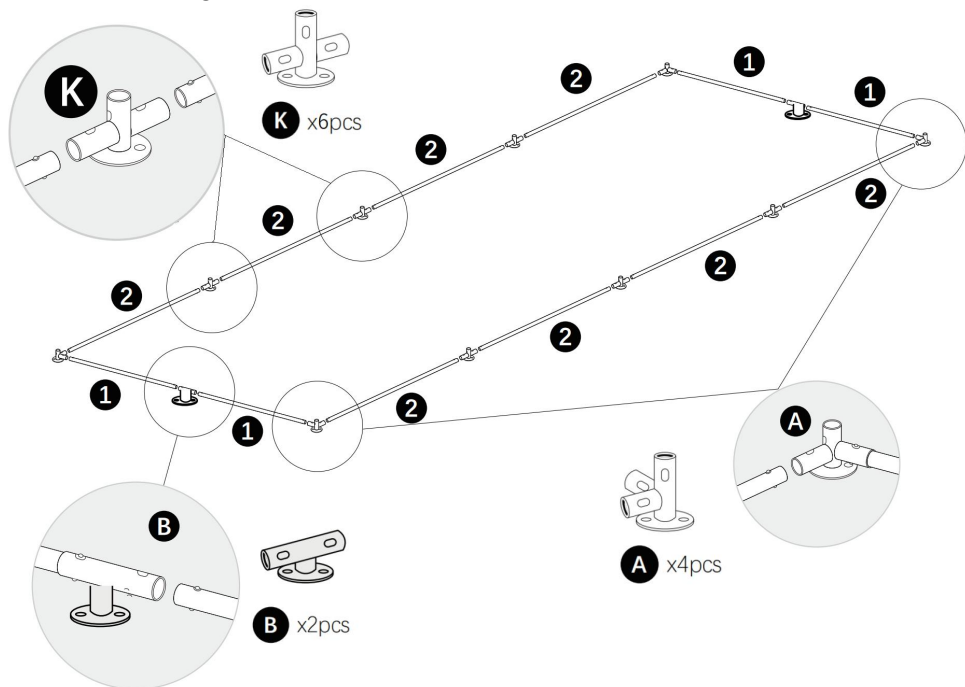
**M2** x10pcs



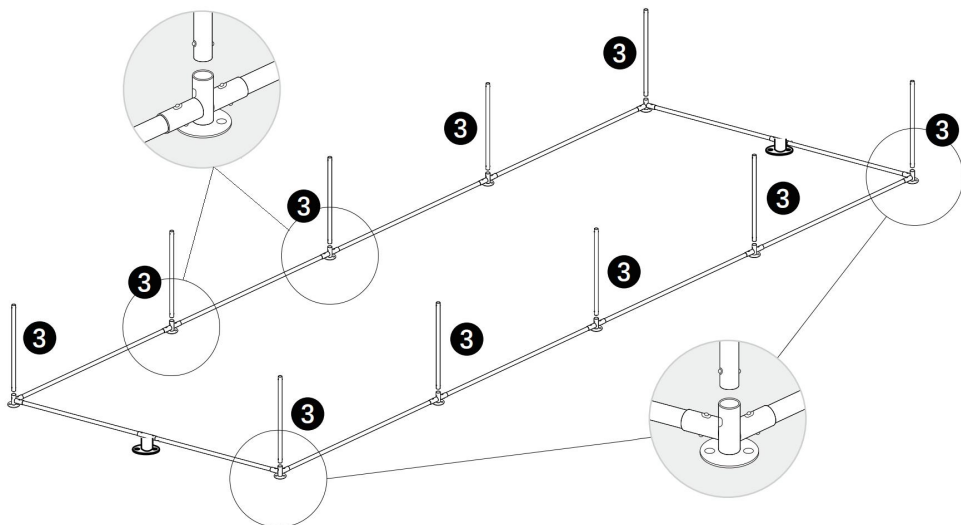
**M1** x7pcs (Spare parts x1pcs)

# Product Assembly

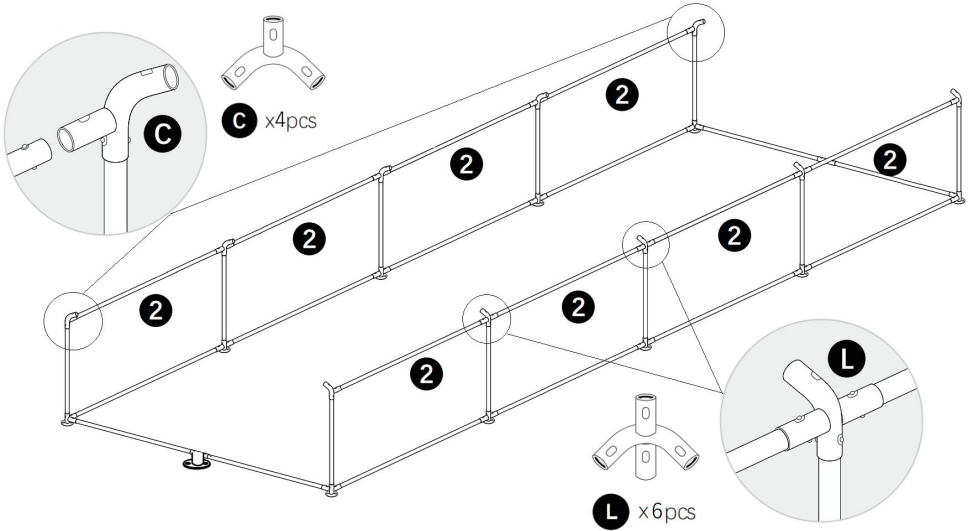
## Step 1: Building the bottom frame.



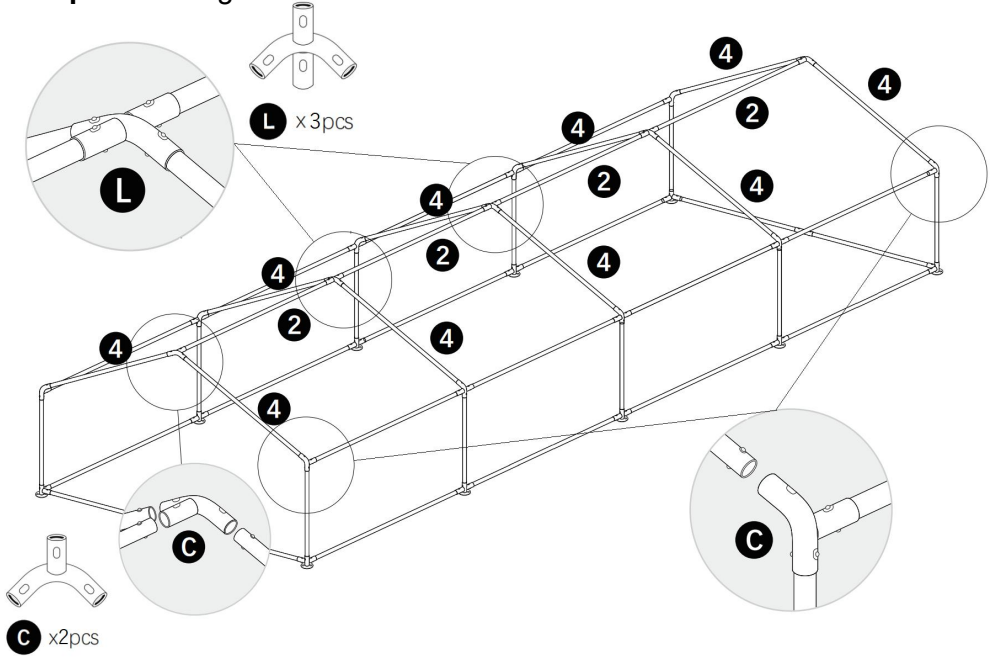
## Step 2: Connect the tube No.3 with the bottom frame.



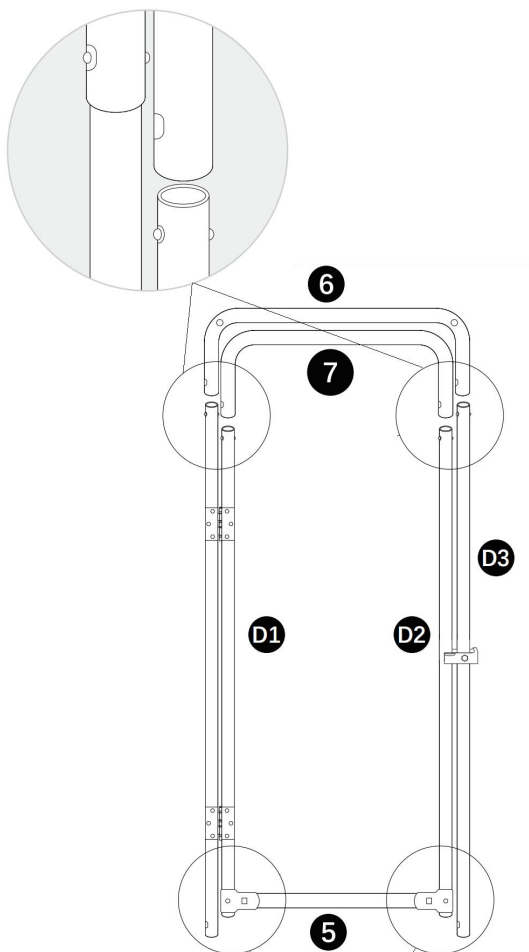
**Step 3: Building the middle frame.**



**Step 4: Building the top frame.**



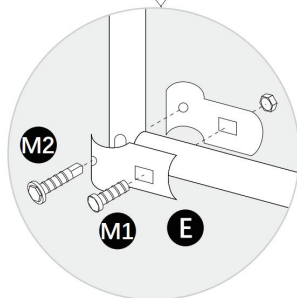
## Step 5: Building the door.



**E** x4pcs

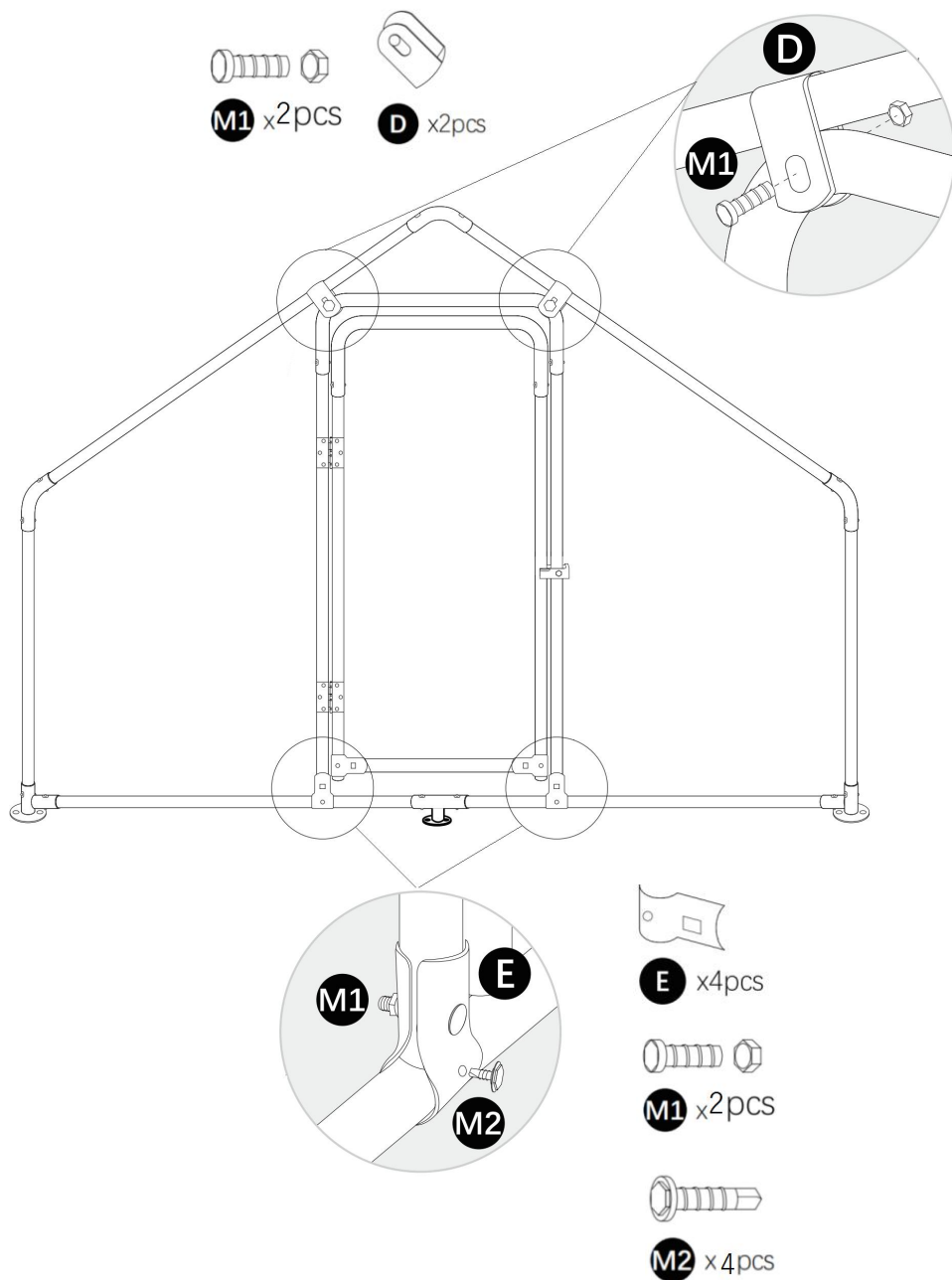


**M1** x2pcs



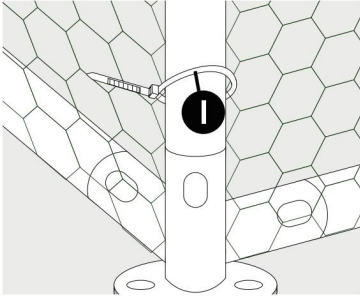
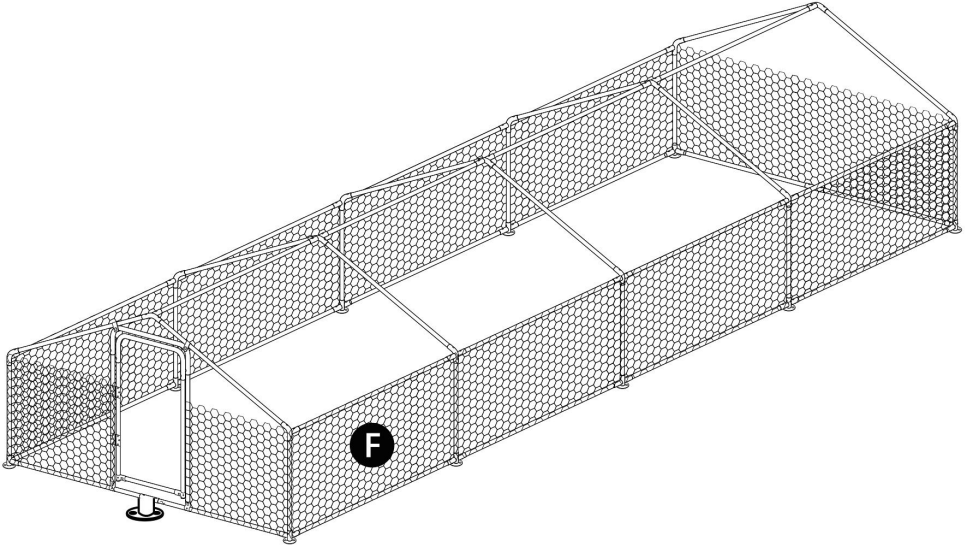
**M2** x4pcs

**Step 6:** Contact the door with the frame.

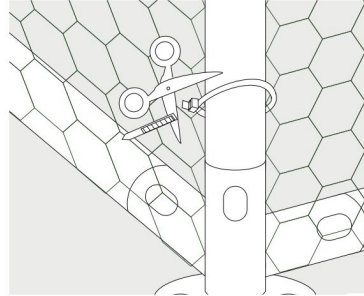




**Step 7:** Tightly seal the frame with steel wire mesh.

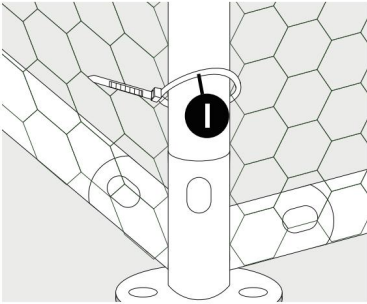
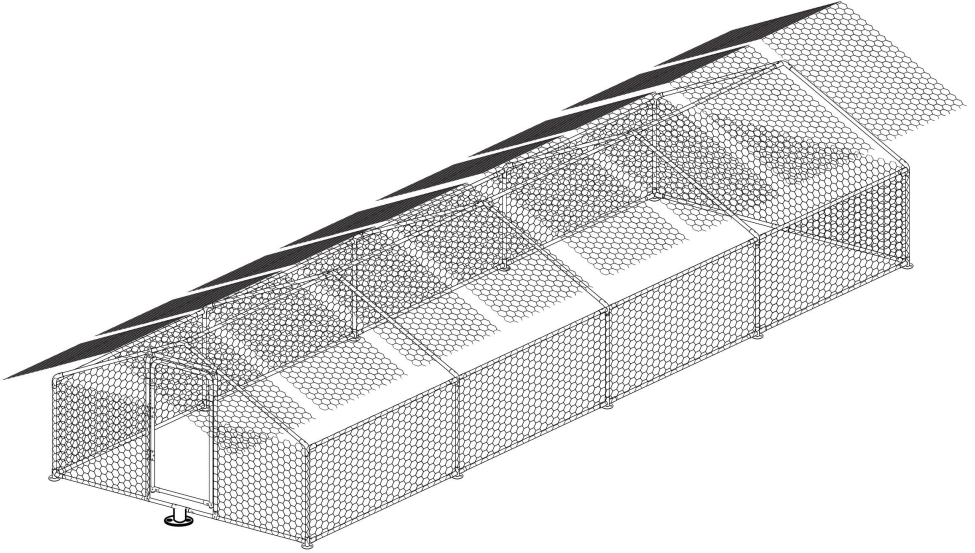


Use cable ties to fix the wire mesh to the iron pipe.

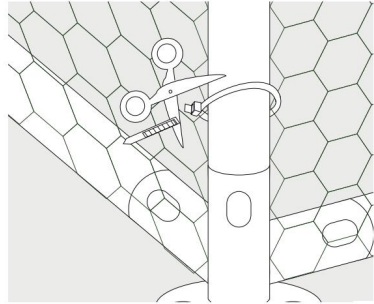


Cut off the excess of the cable tie.

**Step 8:** Tightly seal the roof with steel wire mesh.



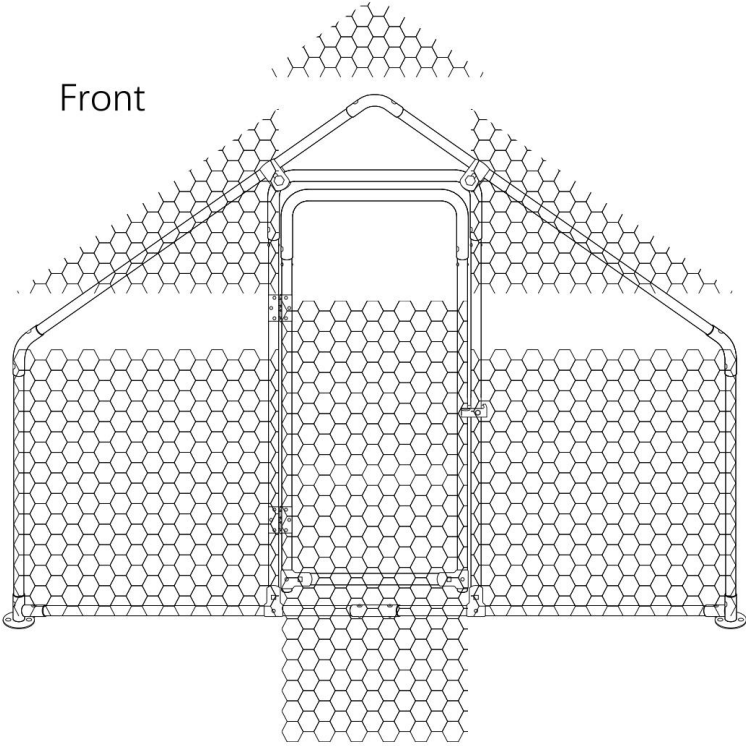
Use cable ties to fix the wire mesh to the iron pipe.



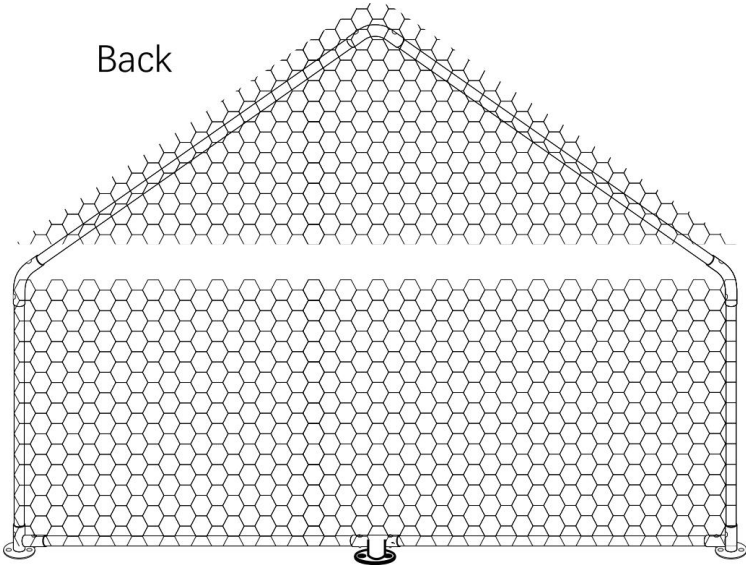
Cut off the excess of the cable tie.

**Step 9**

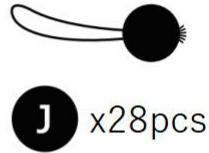
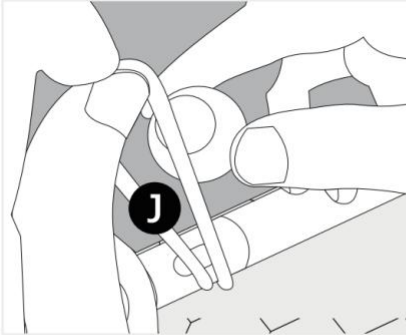
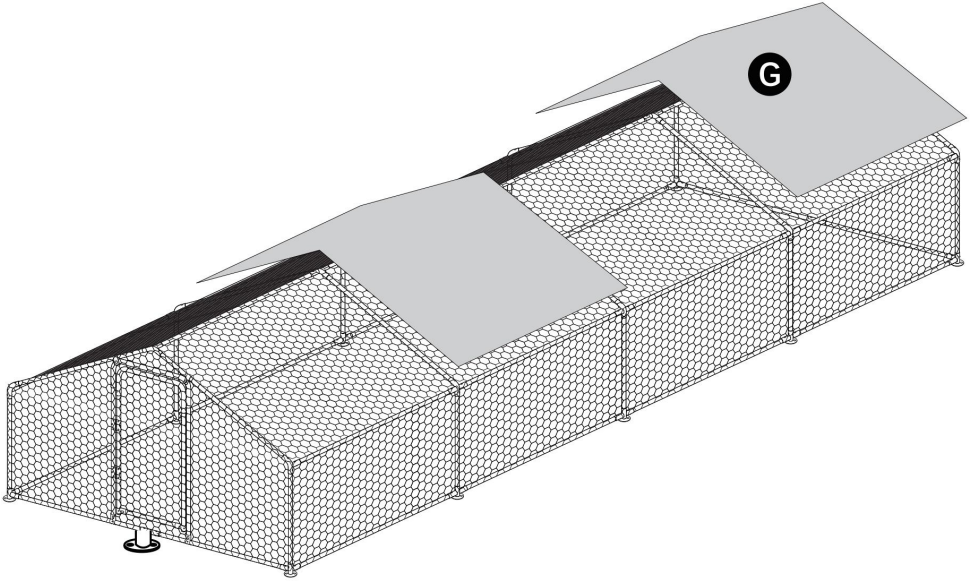
Front



Back

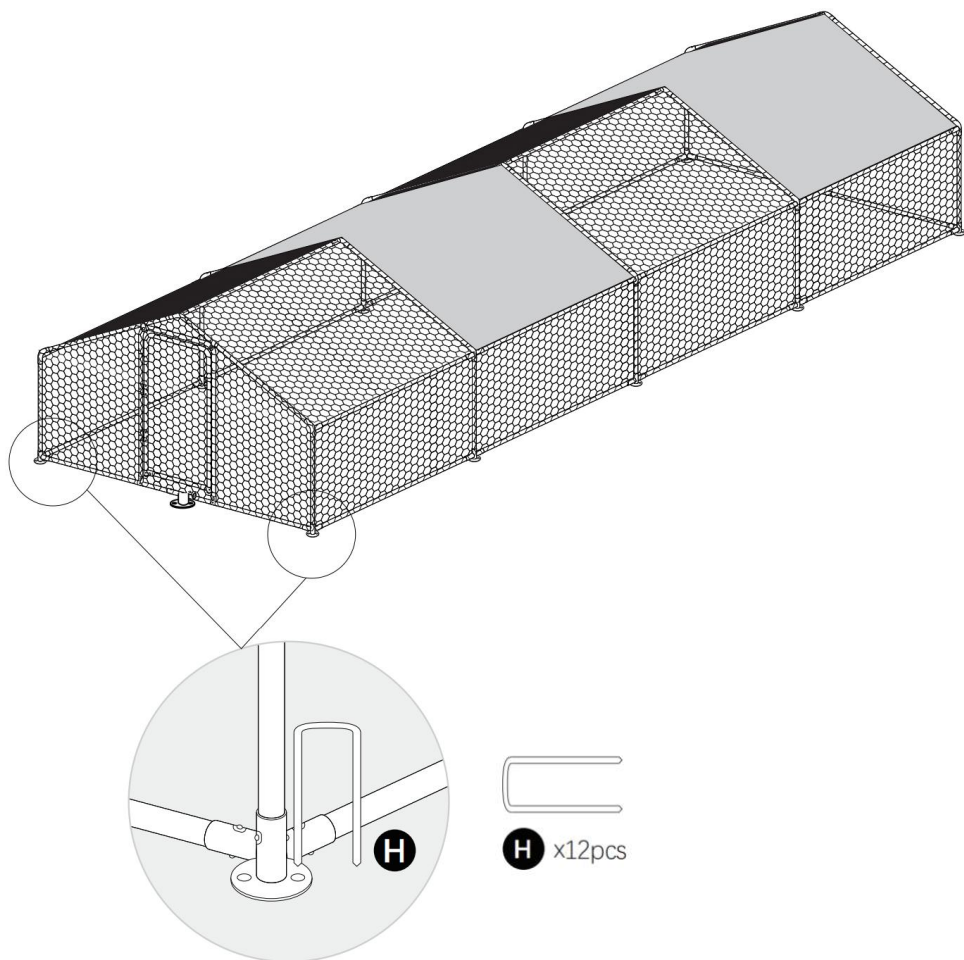


**Step 10:** Install a rainproof cloth.



Use a bungee cord to pass through the hole in the rainproof cloth to secure the rainproof cloth.

**Step 11:**Fixed chicken coop.



Address: Baoshanqu Shuangchenglu 803long 11hao 1602A-1609shi Shanghai  
Imported to AUS: SIHAO PTY LTD,1 ROKEVA STREETEASTWOOD NSW 2122  
Australia

Imported to USA: Sanven Technology Ltd., Suite 250,9166 Anaheim  
Place,Rancho Cucamonga,CA 91730



Pooledas Group Ltd  
Unit 5 Albert Edward House, The Pavilions  
Preston, United Kingdom



SHUNSHUN GmbH  
Römeräcker 9 Z2021, 76351  
Linkenheim-Hochstetten, Germany

**Made in China**



**VEVOR**<sup>®</sup>

**TOUGH TOOLS, HALF PRICE**

**Technical Support and E-Warranty Certificate**

**[www.vevor.com/support](http://www.vevor.com/support)**



# **VEVOR<sup>®</sup>**

## **TOUGH TOOLS, HALF PRICE**

Tecnico Supporto e certificato di garanzia elettronica [www.vevor.com/support](http://www.vevor.com/support)

## **CAMMINARE NEL POLLAIO**

### **MANUALE D'USO**

We continue to be committed to provide you tools with competitive price.

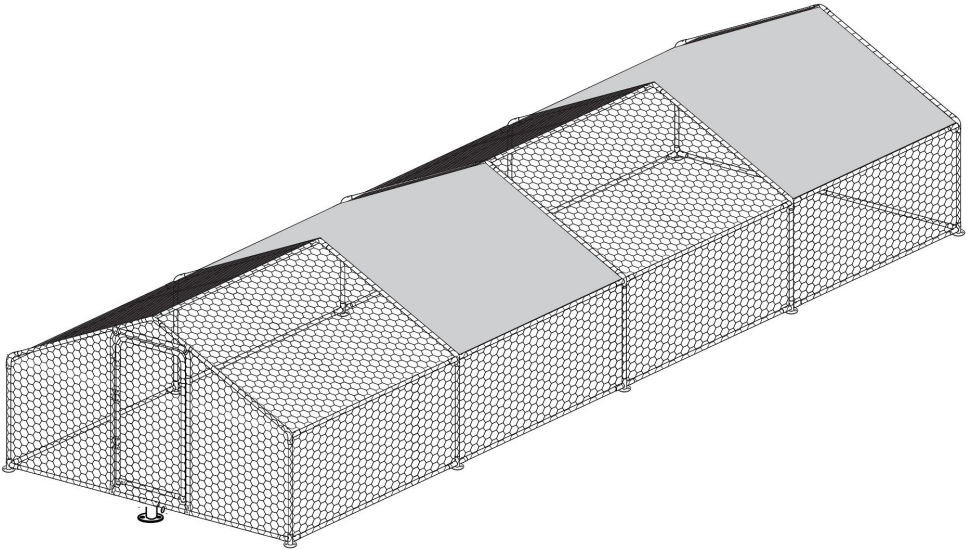
"Save Half", "Half Price" or any other similar expressions used by us only represents an estimate of savings you might benefit from buying certain tools with us compared to the major top brands and does not necessarily mean to cover all categories of tools offered by us. You are kindly reminded to verify carefully when you are placing an order with us if you are actually saving half in comparison with the top major brands.

# VEVOR®

TOUGH TOOLS, HALF PRICE

## WALK IN CHICKEN COOP

RA382



### NEED HELP? CONTACT US!

Have product questions? Need technical support? Please feel free to contact us:

**Technical Support and E-Warranty Certificate**  
[www.vevor.com/support](http://www.vevor.com/support)

This is the original instruction, please read all manual instructions carefully before operating. VEVOR reserves a clear interpretation of our user manual. The appearance of the product shall be subject to the product you received. Please forgive us that we won't inform you again if there are any technology or software updates on our product.

# Misure di sicurezza

## AVVERTIMENTO:

**Leggere queste istruzioni** prima di utilizzare questo prodotto. In caso contrario si potrebbero causare lesioni gravi. È necessario seguire sempre le precauzioni di base , incluse le seguenti:

1. Il pollaio non può essere utilizzato o conservato in aree pericolose. Non è consentito utilizzare l'apparecchio in luoghi pericolosi.
2. Il pollaio deve essere controllato per garantire che sia in condizioni di funzionamento adeguate e funzioni in modo sicuro prima dell'uso. In caso contrario l'apparecchio non deve essere utilizzato.
4. Si prega di pulire regolarmente il tetto dalla neve, poiché troppa neve farebbe crollare il telone.
4. L'operatore deve utilizzare correttamente il pollaio. Deve considerare le condizioni locali e prestare attenzione ai terzi, in particolare ai bambini, quando lavora con il pollaio.
6. Questo pollaio da passeggio non è destinato all'uso da parte di persone (compresi i bambini) con ridotte capacità fisiche, sensoriali o mentali o prive di esperienza e/o conoscenza, a meno che non siano supervisionate da una persona responsabile della loro sicurezza o siano istruite da questa persone sull'uso del dispositivo. I bambini devono essere sorvegliati per assicurarsi che non giochino con il pollaio.

## CONSERVA QUESTE ISTRUZIONI

# **Elenco prodotti**



**1** x4pcs 1410mm



**2** x20pcs 1870mm



**3** x10pcs 970mm



**4** x4pcs 1480mm



**5** x1pcs 510mm



**6** x1pcs 920mm



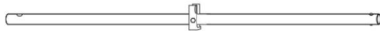
**7** x1pcs 820mm



**D1** x1pcs 1640mm +1570mm



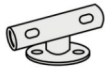
**D2** x1pcs 1570mm



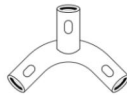
**D3** x1pcs 1640mm



**A** x4pcs



**B** x2pcs



**C** x6pcs



**D** x2pcs



**E** x8pcs



**F** 60m x1pcs



**G** x2pcs



**H** x12pcs



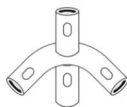
**I** x4bags



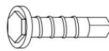
**J** x28pcs



**K** x6pcs



**L** x9pcs



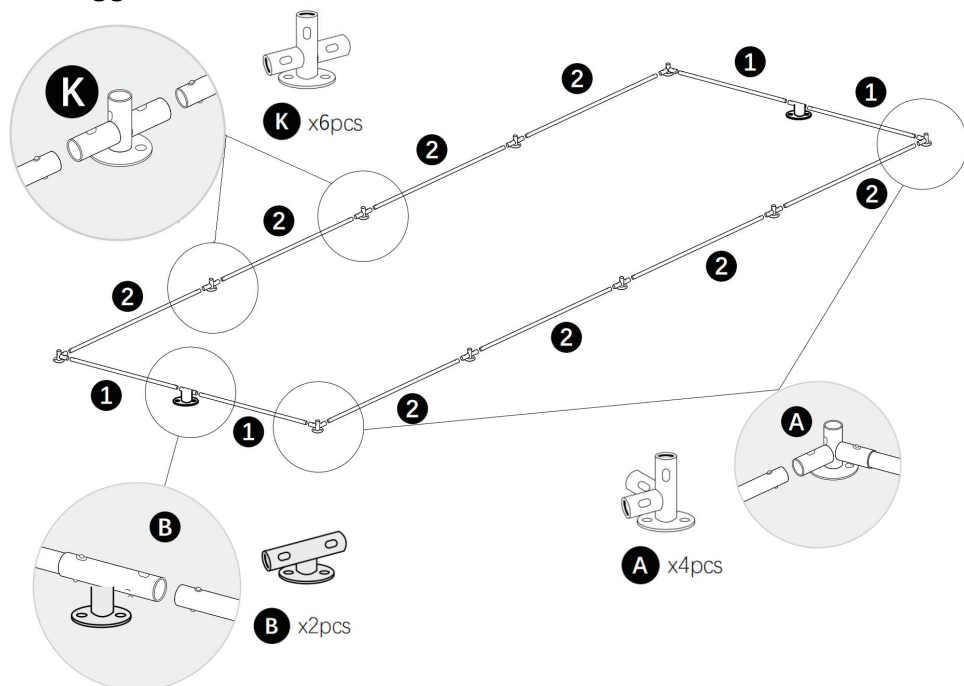
**M2** x10pcs



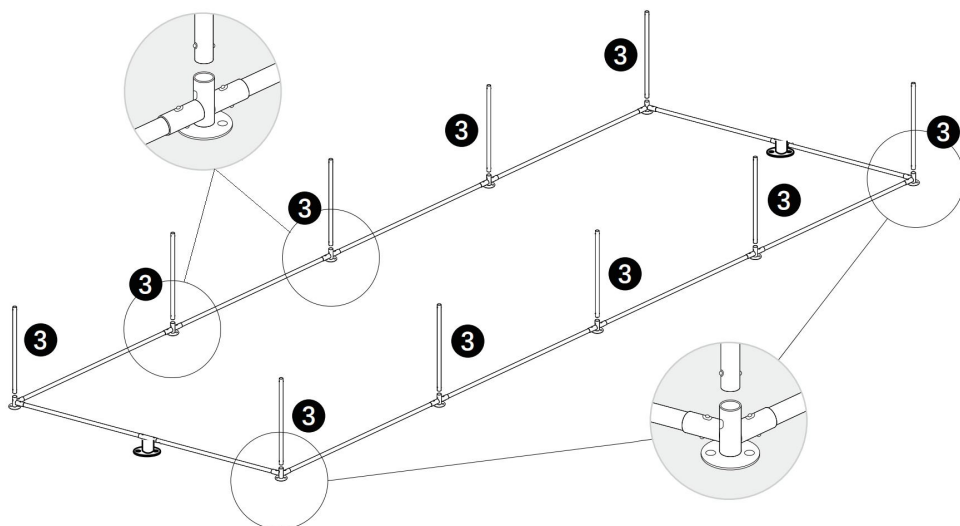
**M1** x7pcs (Spare parts x1pcs)

## Assemblaggio del prodotto

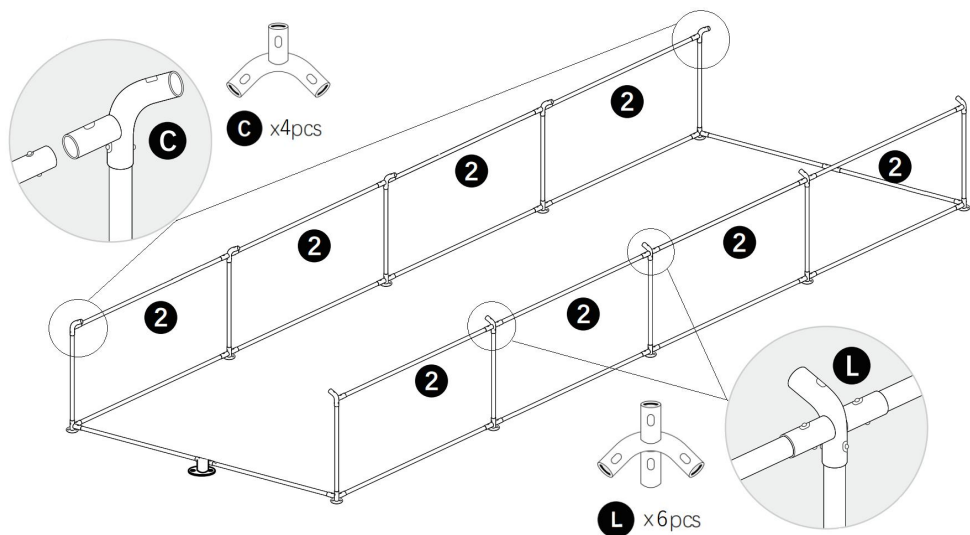
### Passaggio 1: costruzione del telaio inferiore.



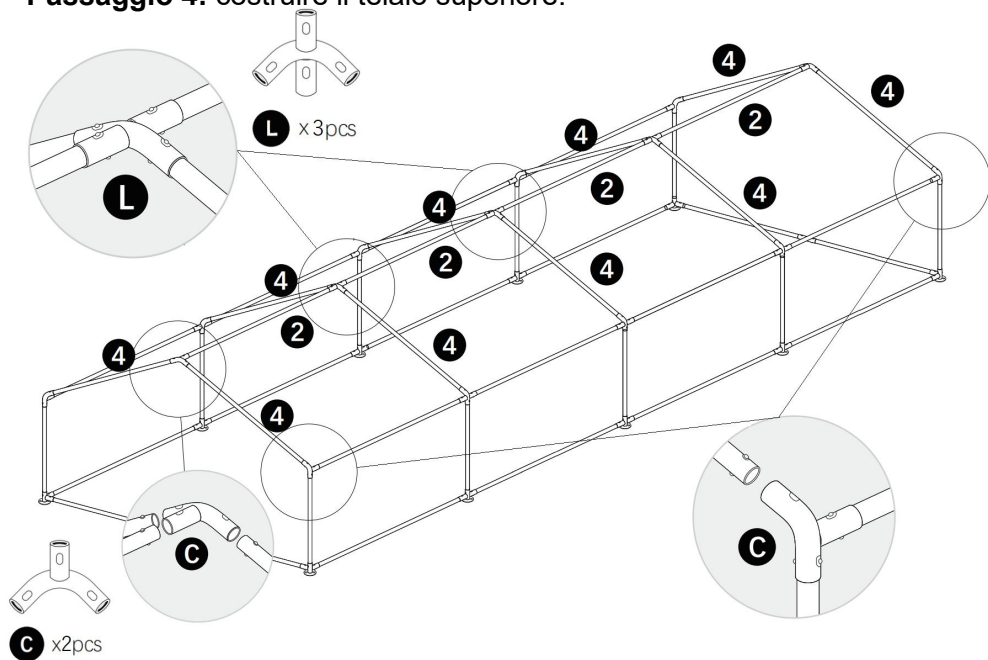
### Passo 2: C onnettere il tubo N.3 con il telaio inferiore.



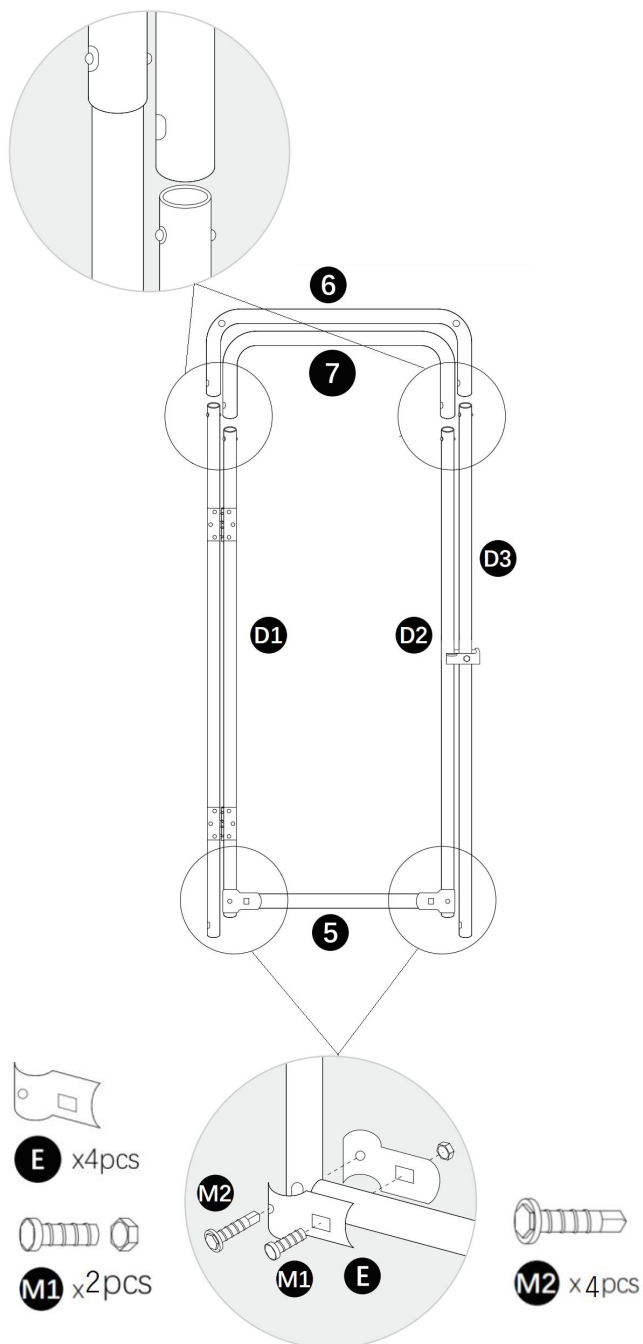
### Passaggio 3: Costruire il telaio centrale.



**Passaggio 4:** costruire il telaio superiore.

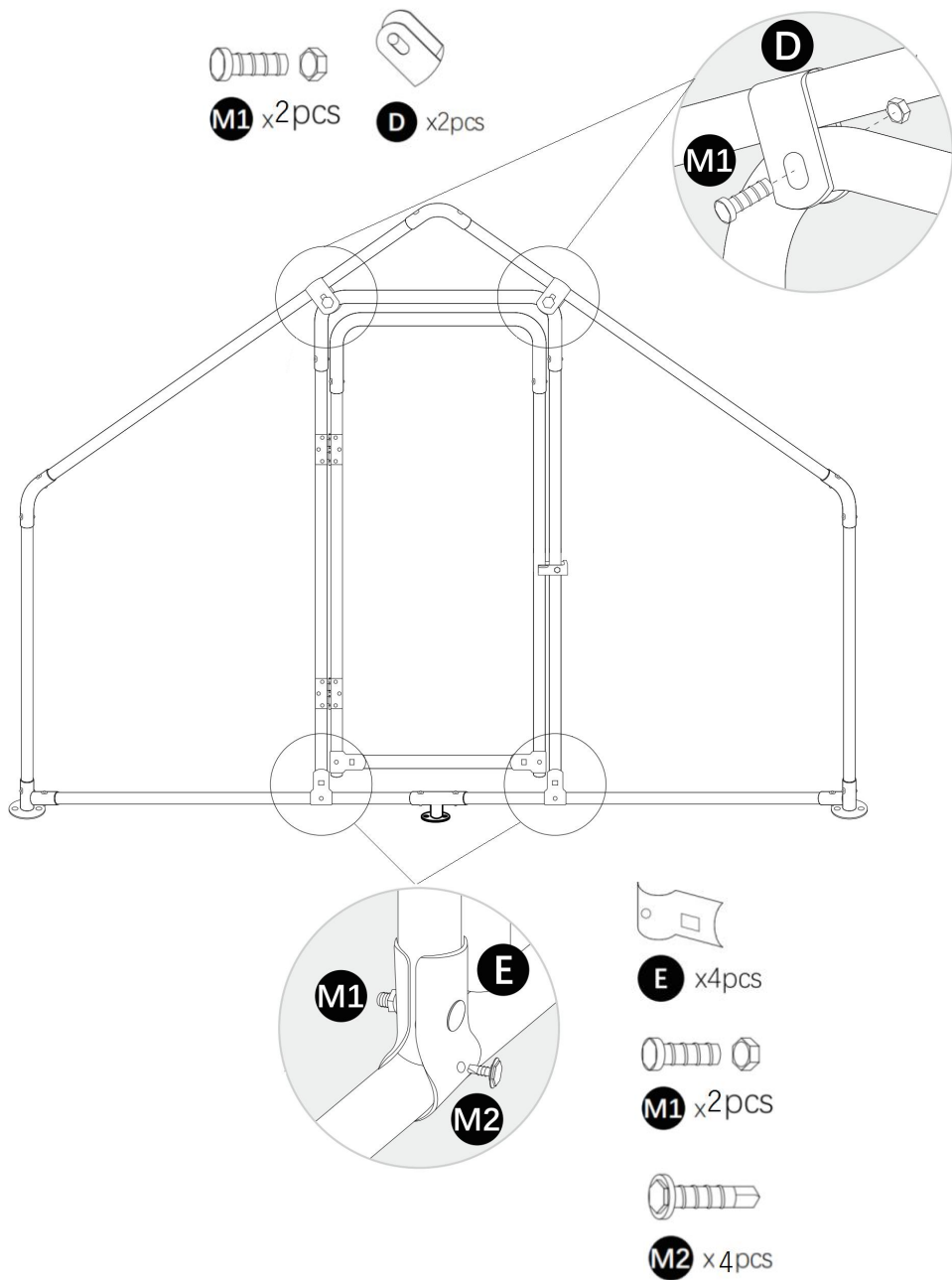


**Passaggio 5:** costruire la porta.



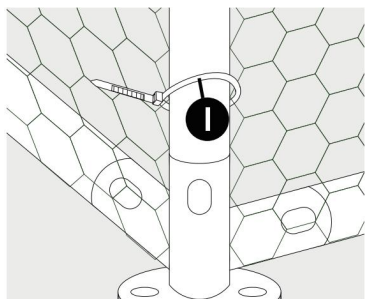
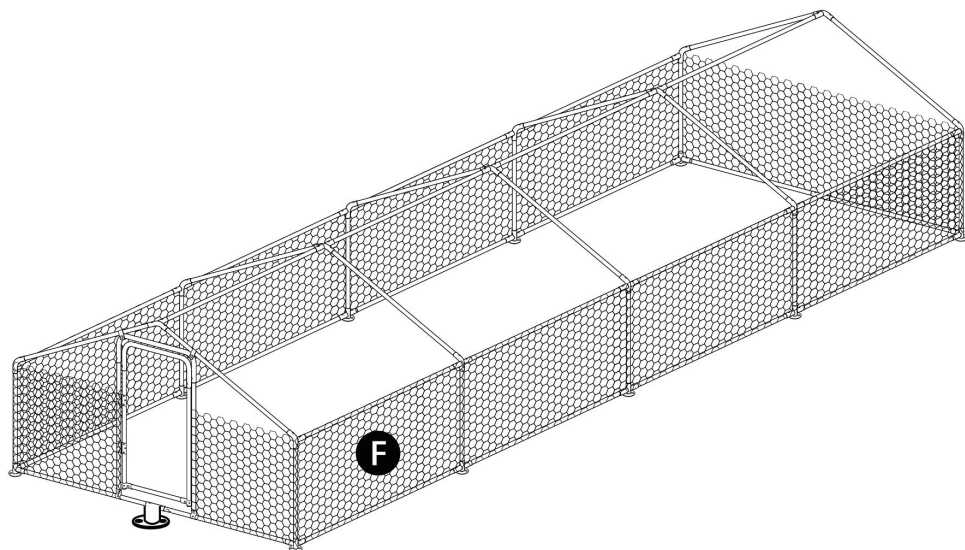
**Passaggio 6:** contattare la porta con il telaio.



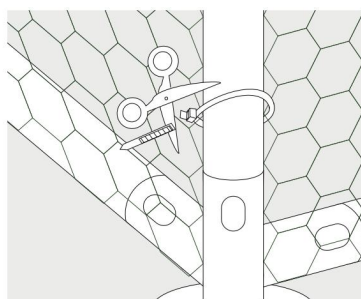


**Passaggio 7:** sigillare saldamente il telaio con una rete metallica in

acciaio.

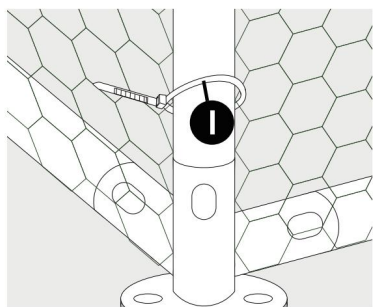
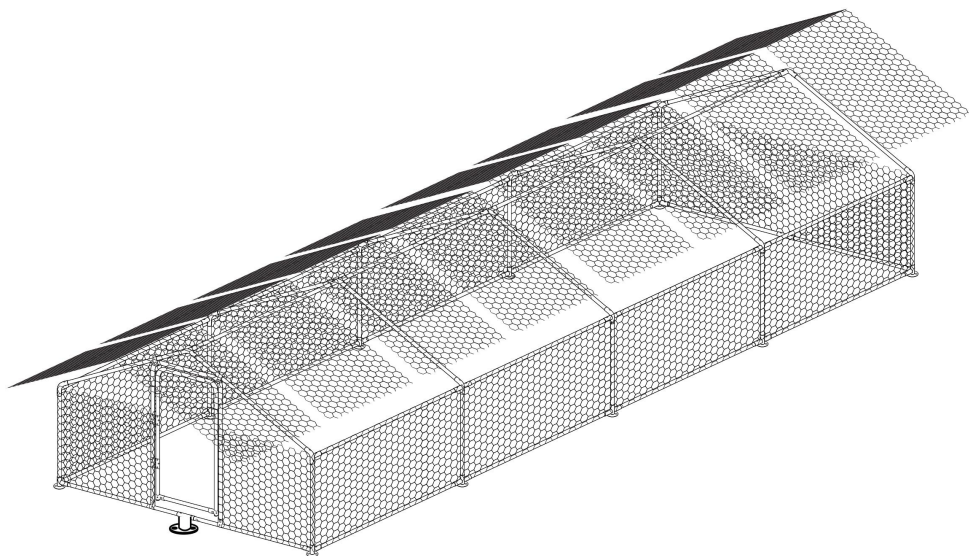


Use cable ties to fix the wire mesh to the iron pipe.

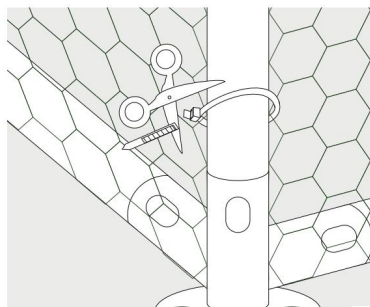


Cut off the excess of the cable tie.

**Passaggio 8:** sigillare saldamente il tetto con una rete metallica in acciaio.

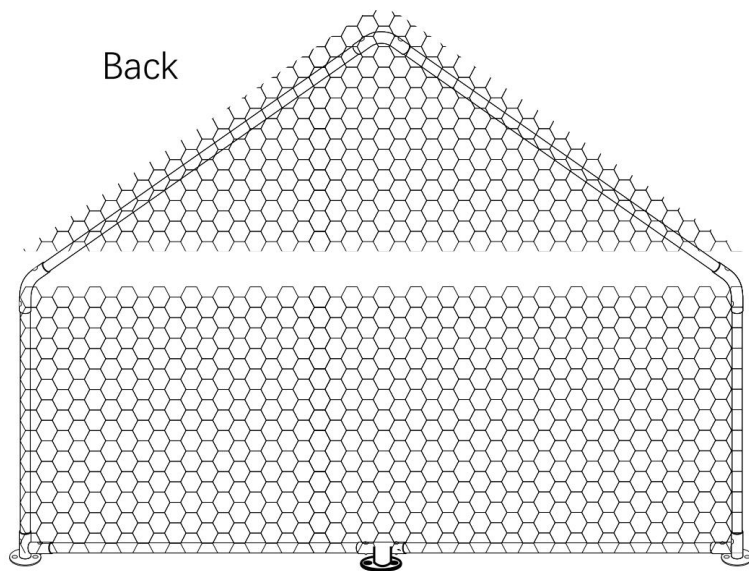
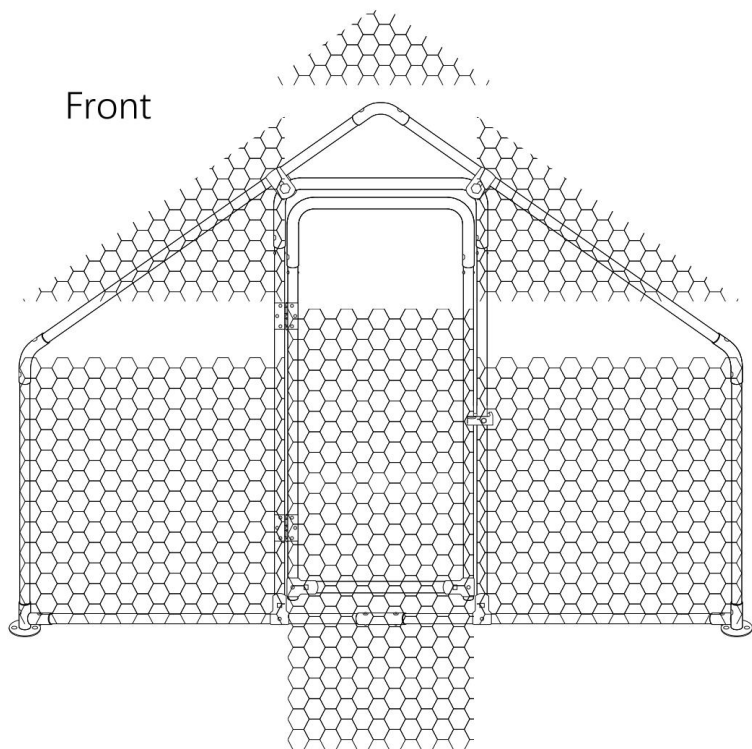


Use cable ties to fix the wire mesh to the iron pipe.

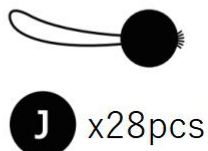
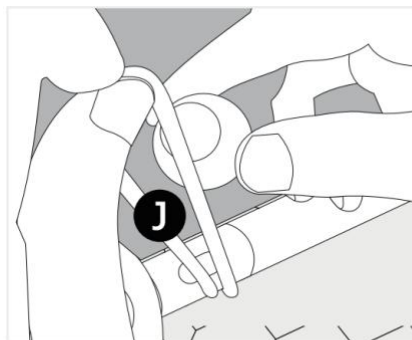
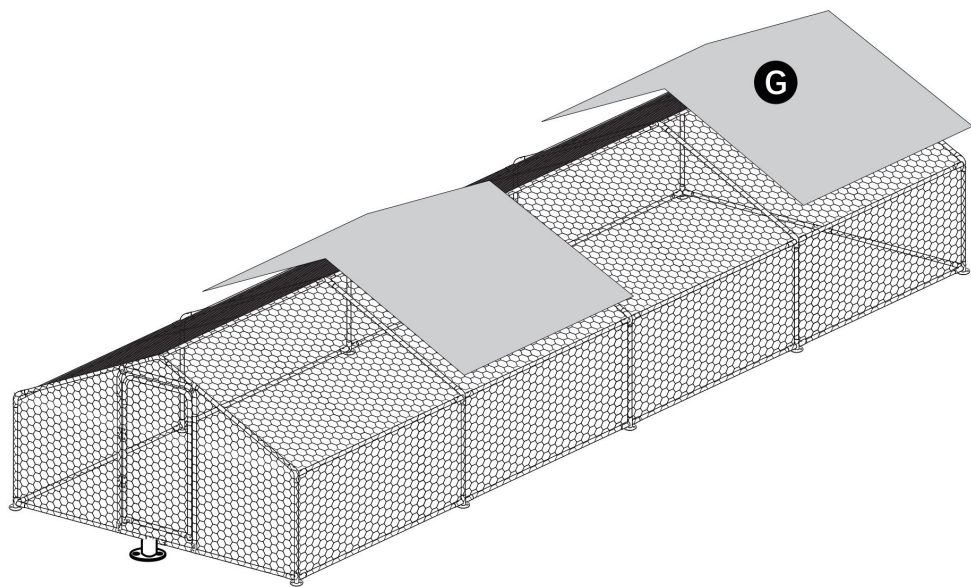


Cut off the excess of the cable tie.

## Passaggio 9



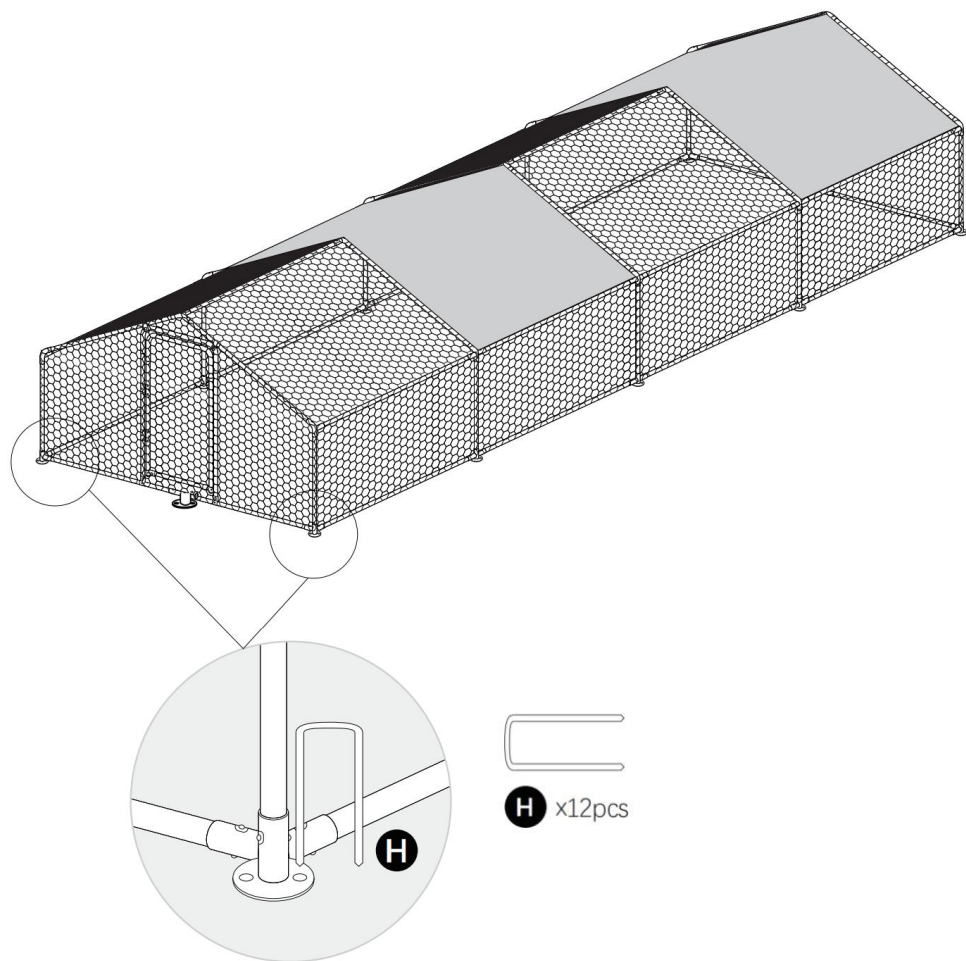
**Passaggio 10:** installare un panno antipioggia.



Use a bungee cord to pass through the hole in the rainproof cloth to secure the rainproof cloth.

## Passaggio 11: pollaio

fisso.



Indirizzo: Baoshanqu Shuangchenglu 803long 11hao 1602A-1609shi Shanghai  
Importato negli Stati Uniti: SIHAO PTY LTD , 1 ROKEVA STREETEASTWOOD  
NSW 2122 Australia

Importato negli Stati Uniti: Sanven Technology Ltd. , Suite 250 , 9166  
Anaheim Place , Rancho Cucamonga , CA 91730



Pooledas Group Ltd  
Unit 5 Albert Edward House, The Pavilions  
Preston, United Kingdom



SHUNSHUN GmbH  
Römeräcker 9 Z2021, 76351  
Linkenheim-Hochstetten, Germany

**Made in China**





**VEVOR**<sup>®</sup>

**TOUGH TOOLS, HALF PRICE**

**Tecnico Supporto e certificato di garanzia elettronica**

**[www.vevor.com/support](http://www.vevor.com/support)**

# **VEVOR<sup>®</sup>**

## **TOUGH TOOLS, HALF PRICE**

Techniczny Certyfikat wsparcia i e-gwarancji [www.vevor.com/support](http://www.vevor.com/support)

## **CHODZIĆ PO KURNIKU**

## **INSTRUKCJA OBSŁUGI**

We continue to be committed to provide you tools with competitive price.

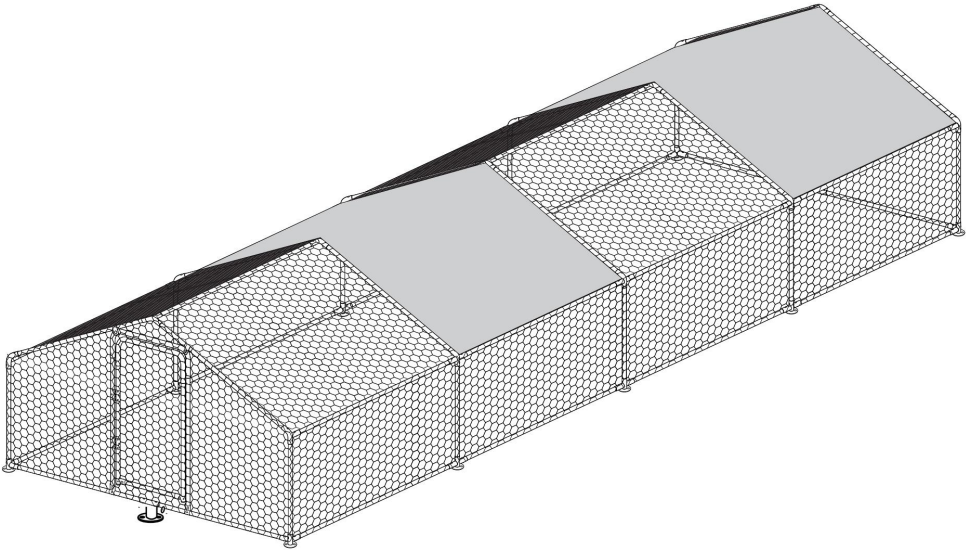
"Save Half", "Half Price" or any other similar expressions used by us only represents an estimate of savings you might benefit from buying certain tools with us compared to the major top brands and does not necessarily mean to cover all categories of tools offered by us. You are kindly reminded to verify carefully when you are placing an order with us if you are actually saving half in comparison with the top major brands.

# VEVOR®

TOUGH TOOLS, HALF PRICE

## WALK IN CHICKEN COOP

RA382



### NEED HELP? CONTACT US!

Have product questions? Need technical support? Please feel free to contact us:

**Technical Support and E-Warranty Certificate**  
[www.vevor.com/support](http://www.vevor.com/support)

This is the original instruction, please read all manual instructions carefully before operating. VEVOR reserves a clear interpretation of our user manual. The appearance of the product shall be subject to the product you received. Please forgive us that we won't inform you again if there are any technology or software updates on our product.

# Środki ostrożności

## OSTRZEŻENIE:

**Przeczytaj tę instrukcję** przed użyciem tego produktu. Niezastosowanie się do tego może spowodować poważne obrażenia. należy zawsze przestrzegać podstawowych środków ostrożności , w tym:

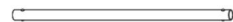
1. Kurnika nie można używać ani przechowywać w obszarach niebezpiecznych. Nie wolno używać urządzenia w miejscach niebezpiecznych.
2. Przed użyciem kurnik należy sprawdzić, czy jest w dobrym stanie i czy działa bezpiecznie. W przeciwnym razie nie wolno używać urządzenia.
5. Prosimy o regularne odśnieżanie dachu, gdyż jego nadmiar spowoduje zapadnięcie się plandeki.
4. Operator musi prawidłowo korzystać z kurnika. Podczas pracy z kurnikiem musi wziąć pod uwagę lokalne warunki i zwracać uwagę na osoby trzecie, w szczególności na dzieci.
7. Spacer po kurniku nie jest przeznaczony do użytku przez osoby (w tym dzieci) o ograniczonych zdolnościach fizycznych, sensorycznych lub umysłowych lub nieposiadające doświadczenia i/lub wiedzy, chyba że znajdują się one pod nadzorem osoby odpowiedzialnej za ich bezpieczeństwo lub zostały przez nią poinstruowane. osób na temat korzystania z urządzenia. Dzieci należy nadzorować, aby mieć pewność, że nie bawią się kurnikiem.

## ZACHOWAJ TE INSTRUKCJE

# Lista produktów



**1** x4pcs 1410mm



**3** x10pcs 970mm



**5** x1pcs 510mm



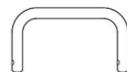
**2** x20pcs 1870mm



**4** x4pcs 1480mm



**6** x1pcs 920mm



**7** x1pcs 820mm



**D1** x1pcs 1640mm +1570mm



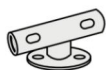
**D2** x1pcs 1570mm



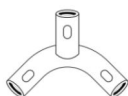
**D3** x1pcs 1640mm



**A** x4pcs



**B** x2pcs



**C** x6pcs



**D** x2pcs



**E** x8pcs



**F** 60m x 1pcs



**G** x2pcs



**H** x12pcs



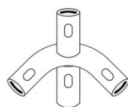
**I** x4bags



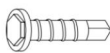
**J** x28pcs



**K** x6pcs



**L** x9pcs



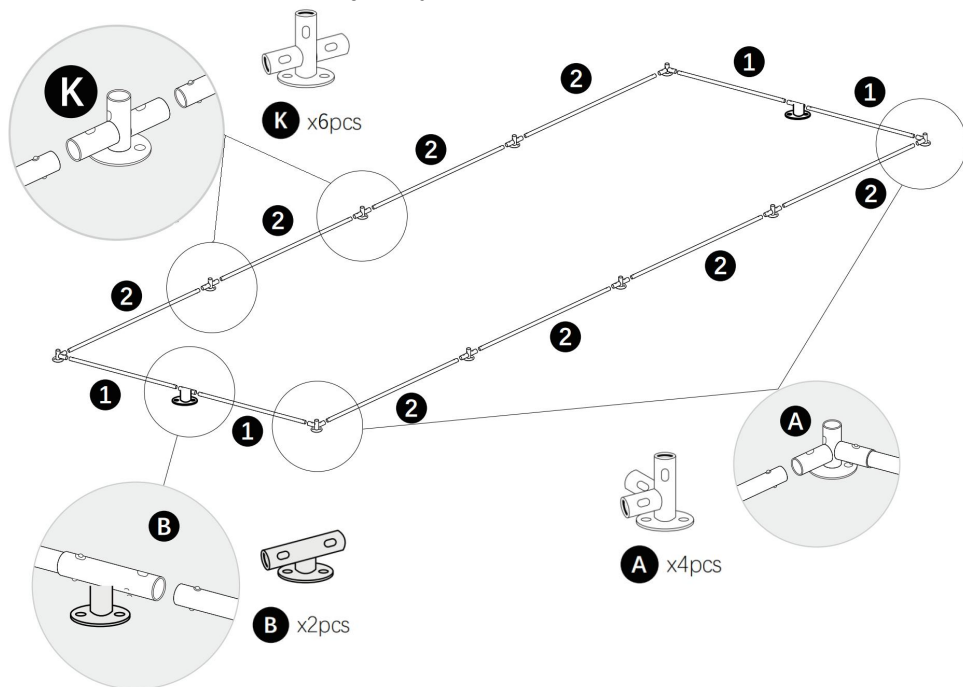
**M2** x10pcs



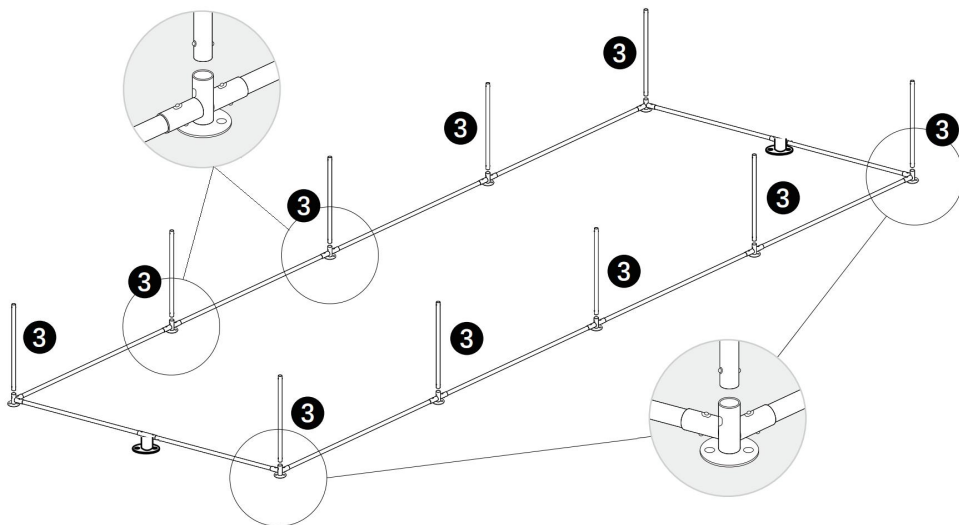
**M1** x7pcs (Spare parts x1pcs)

# Montaż produktu

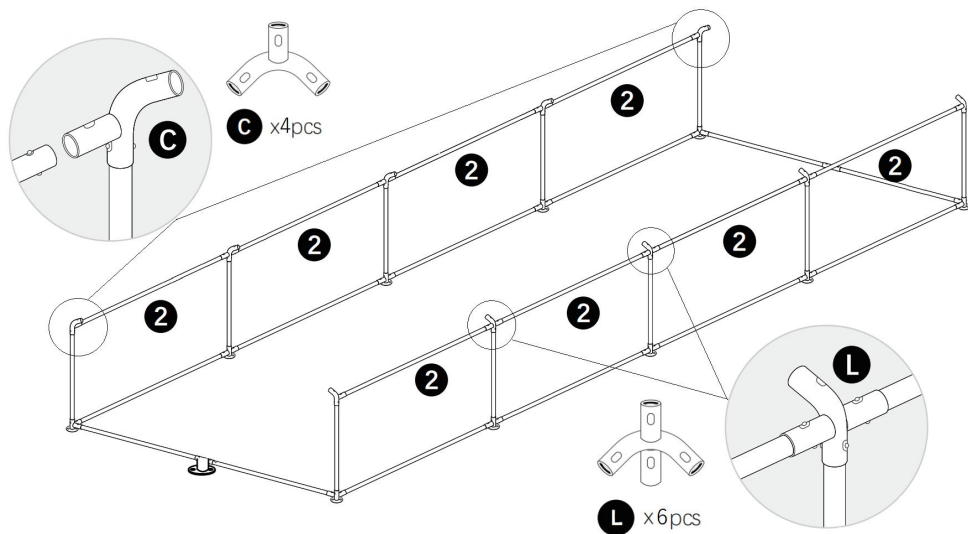
Krok 1: Zbudowanie dolnej ramy.



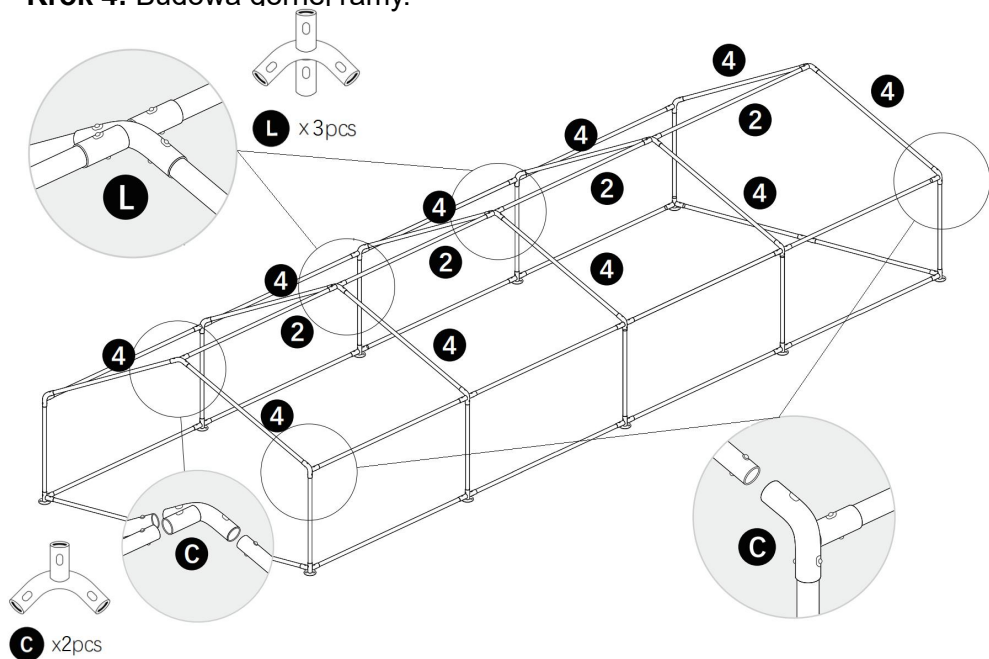
Krok 2: Połącz rurę nr 3 z ramą dolną.



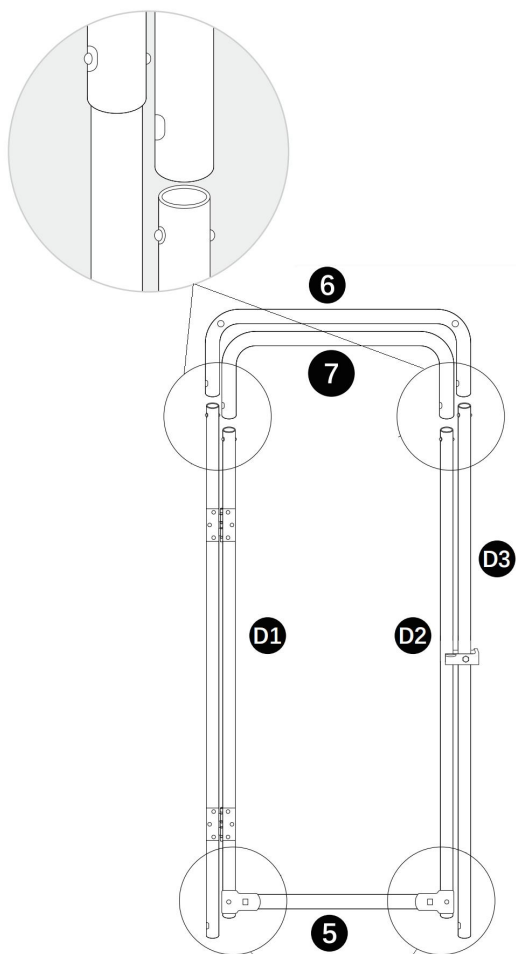
### Krok 3: Budowa ramy środkowej.



### Krok 4: Budowa órnej ramy.



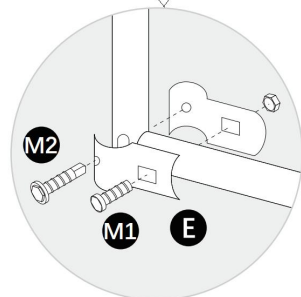
## Krok 5: Budowa drzwi.



**E** x4pcs



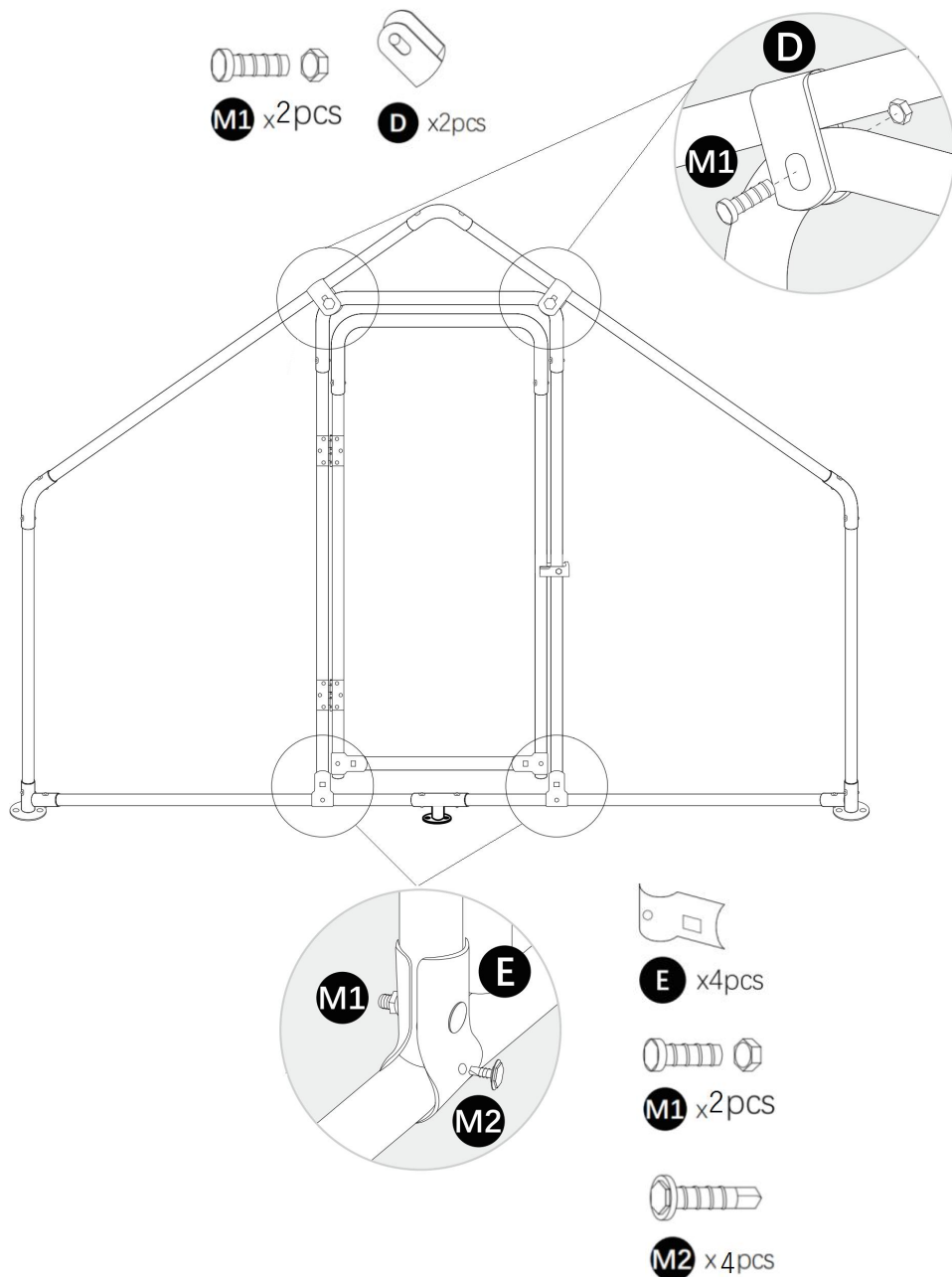
**M1** x2pcs



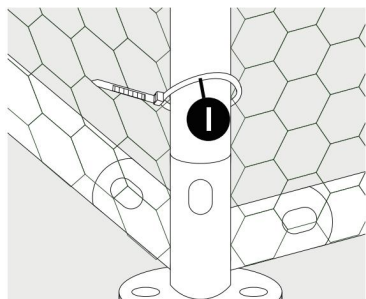
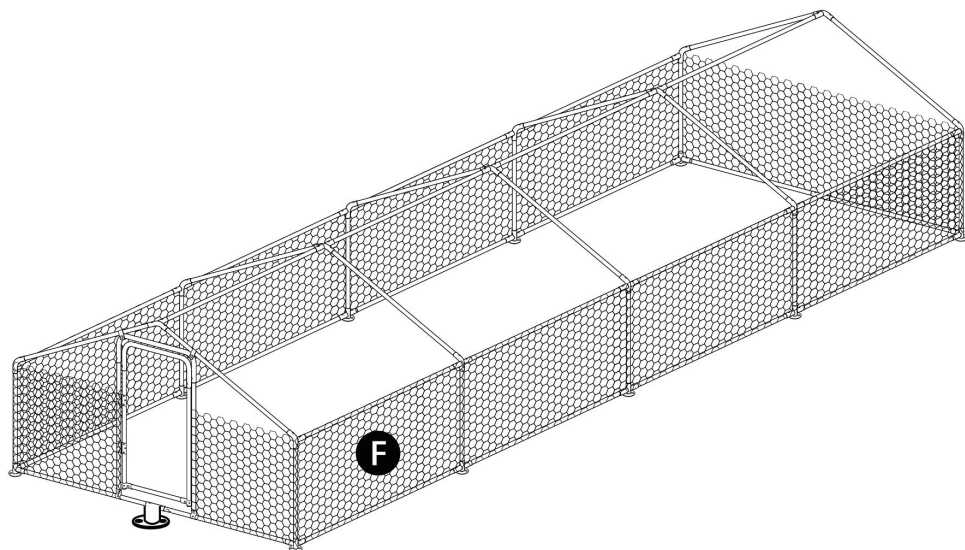
**M2** x4pcs



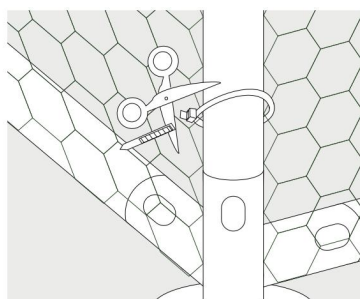
## Krok 6: Połącz drzwi z ościeżnicą.



**Krok 7:** Szczelnie uszczelnij ramę stalową siatką drucianą.

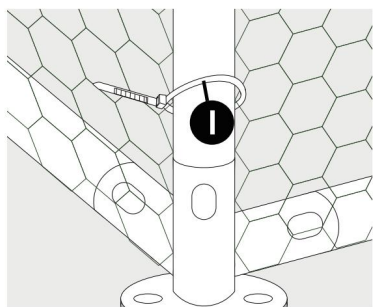
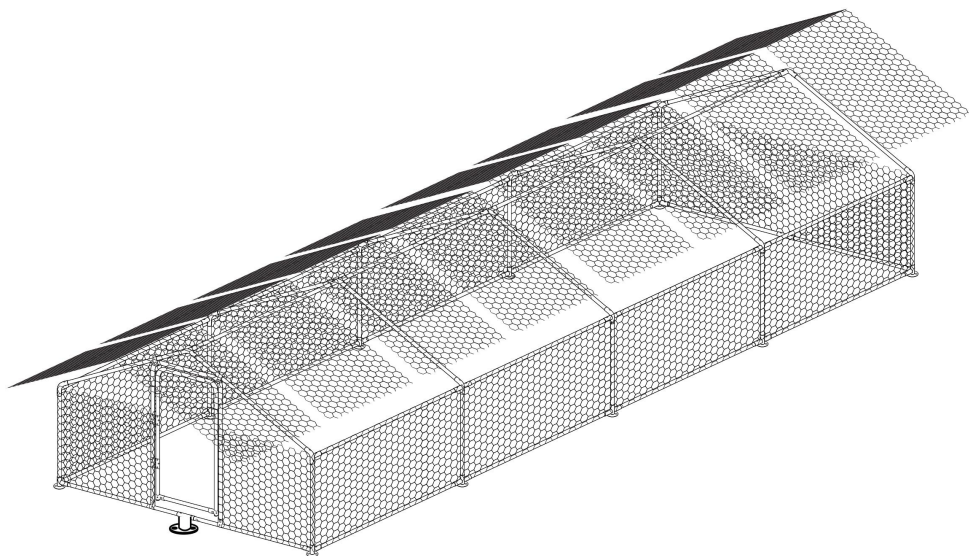


Use cable ties to fix the wire mesh to the iron pipe.

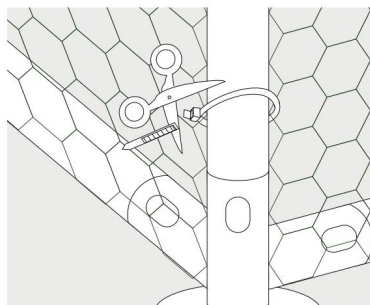


Cut off the excess of the cable tie.

**Krok 8:** Szczelnie uszczelnij dach stalową siatką drucianą.

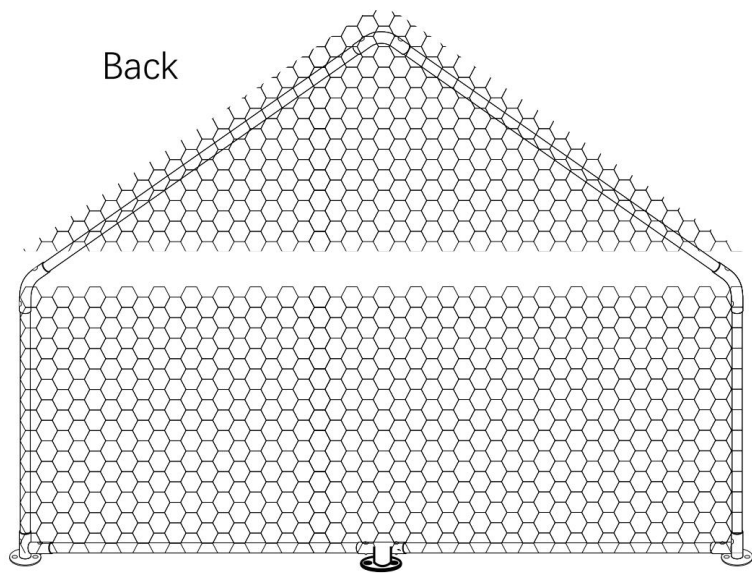
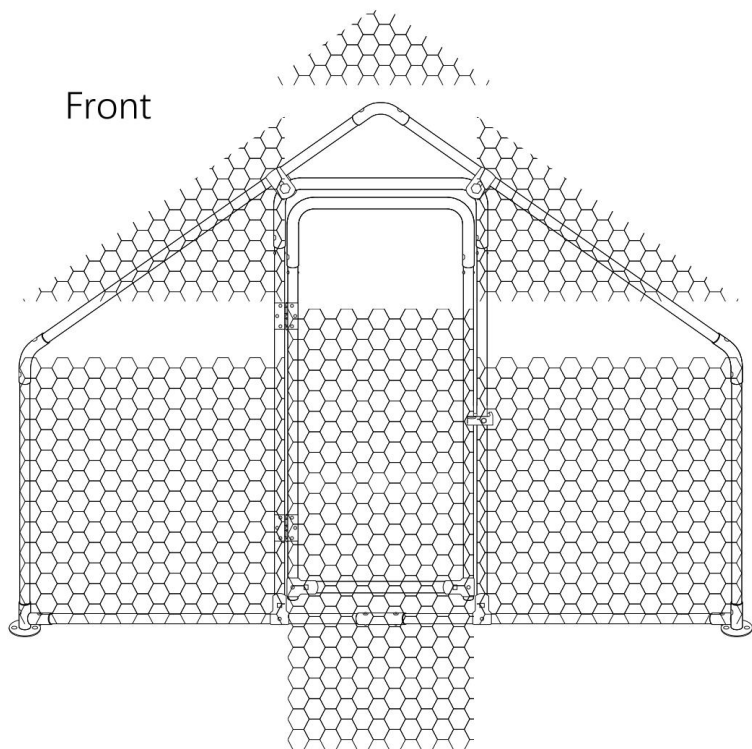


Use cable ties to fix the wire mesh to the iron pipe.

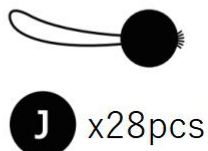
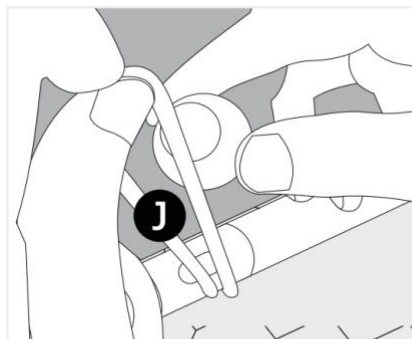
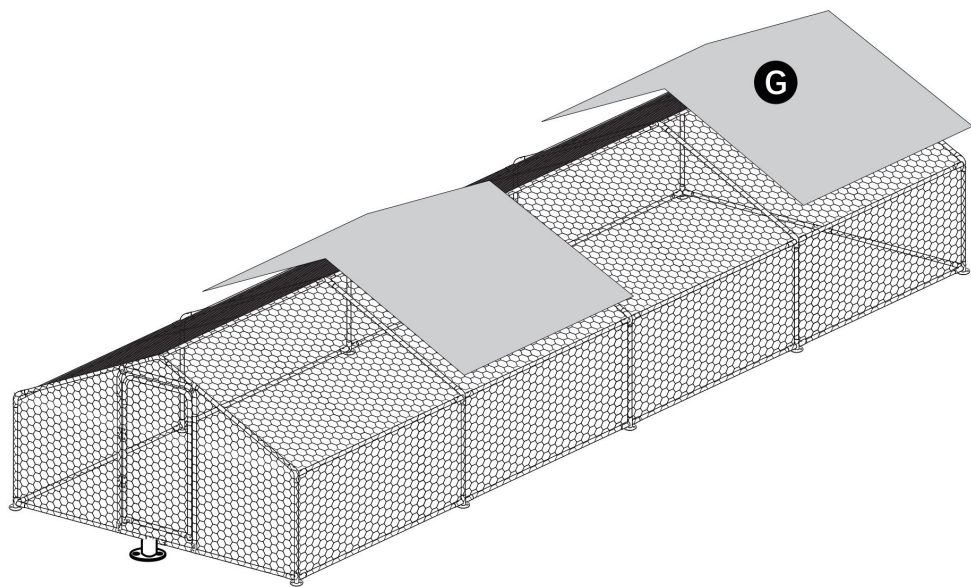


Cut off the excess of the cable tie.

## Krok 9

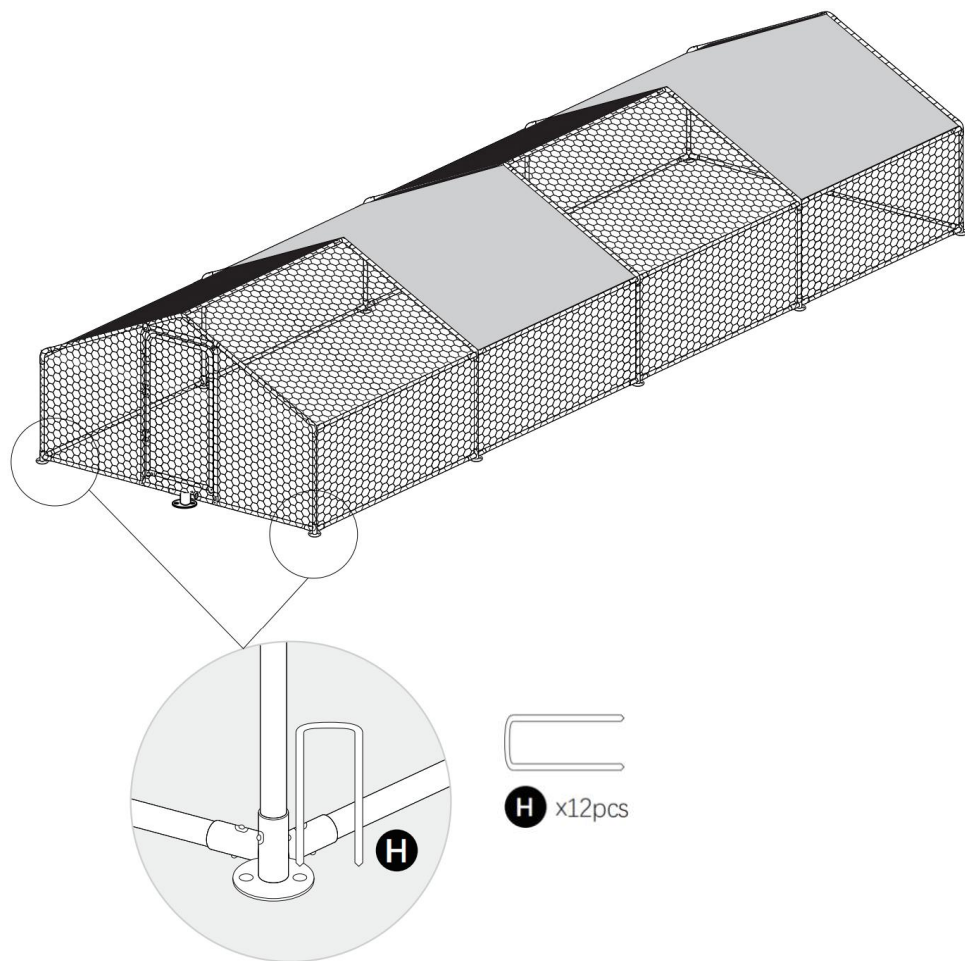


**Krok 10:** Załóż szmatkę przeciwdeszczową.



Use a bungee cord to pass through the hole in the rainproof cloth to secure the rainproof cloth.

**Krok 11:** Naprawiono kurnik.



Adres: Baoshanqu Shuangchenglu 803long 11hao 1602A-1609shi Szanghaj  
Import do AUS: SIHAO PTY LTD , 1 ROKEVA STREETEASTWOOD NSW 2122  
Australia

Import do USA: Sanven Technology Ltd. , Suite 250 , 9166 Anaheim  
Place , Rancho Cucamonga , CA 91730



Pooledas Group Ltd  
Unit 5 Albert Edward House, The Pavilions  
Preston, United Kingdom



SHUNSHUN GmbH  
Römeräcker 9 Z2021, 76351  
Linkenheim-Hochstetten, Germany

**Wyprodukowano w Chinach**





**VEVOR**<sup>®</sup>

**TOUGH TOOLS, HALF PRICE**

**Techniczny Certyfikat wsparcia i e-gwarancji**

**[www.vevor.com/support](http://www.vevor.com/support)**

# **VEVOR<sup>®</sup>**

## **TOUGH TOOLS, HALF PRICE**

Technisch Support- und E-Garantie-Zertifikat [www.vevor.com/support](http://www.vevor.com/support)

# **SPAZIERGANG IM HÜHNERSTALL**

## **BENUTZERHANDBUCH**

We continue to be committed to provide you tools with competitive price.

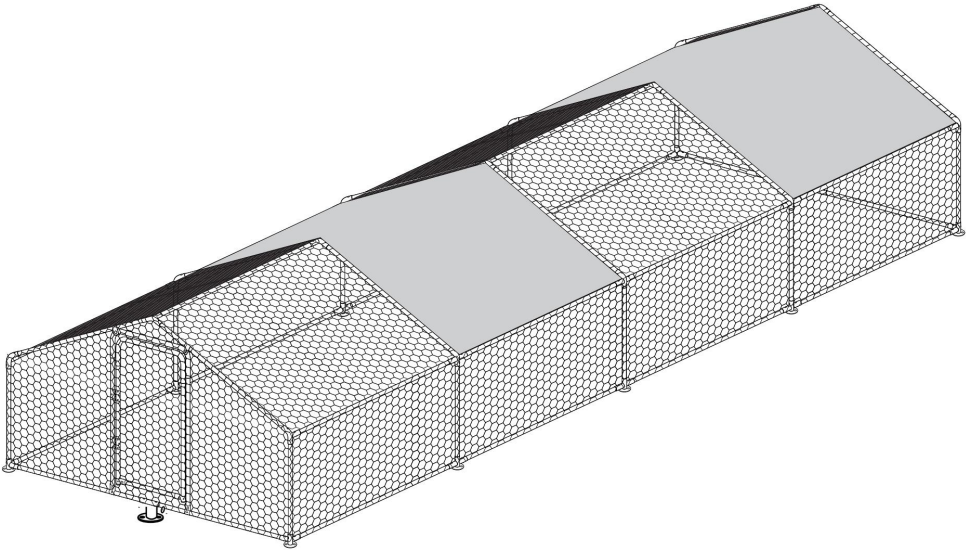
"Save Half", "Half Price" or any other similar expressions used by us only represents an estimate of savings you might benefit from buying certain tools with us compared to the major top brands and does not necessarily mean to cover all categories of tools offered by us. You are kindly reminded to verify carefully when you are placing an order with us if you are actually saving half in comparison with the top major brands.

# VEVOR®

TOUGH TOOLS, HALF PRICE

## WALK IN CHICKEN COOP

RA382



### NEED HELP? CONTACT US!

Have product questions? Need technical support? Please feel free to contact us:

**Technical Support and E-Warranty Certificate**  
[www.vevor.com/support](http://www.vevor.com/support)

This is the original instruction, please read all manual instructions carefully before operating. VEVOR reserves a clear interpretation of our user manual. The appearance of the product shall be subject to the product you received. Please forgive us that we won't inform you again if there are any technology or software updates on our product.

# Sicherheitsvorkehrungen

## WARNUNG:

**Lesen Sie diese Anweisungen**, bevor Sie dieses Produkt verwenden.

Andernfalls kann es zu schweren Verletzungen kommen. Die grundlegenden Vorsichtsmaßnahmen sollten immer befolgt werden, einschließlich der folgenden:

1. Der begehbare Hühnerstall darf nicht in explosionsgefährdeten Bereichen verwendet oder gelagert werden. Es ist nicht gestattet, das Gerät in explosionsgefährdeten Bereichen zu verwenden.
2. Der begehbare Hühnerstall muss vor der Verwendung überprüft werden, um sicherzustellen, dass er ordnungsgemäß funktioniert und sicher funktioniert. Andernfalls darf das Gerät nicht verwendet werden.
6. Bitte räumen Sie das Dach regelmäßig vom Schnee, da zu viel Schnee die Plane zum Einsturz bringt.
4. Der Betreiber muss den begehbaren Hühnerstall ordnungsgemäß nutzen. Bei der Arbeit mit dem begehbaren Hühnerstall muss er die örtlichen Gegebenheiten berücksichtigen und auf Dritte, insbesondere Kinder, Rücksicht nehmen.
8. Dieser begehbare Hühnerstall ist nicht für die Nutzung durch Personen (einschließlich Kinder) mit eingeschränkten körperlichen, sensorischen oder geistigen Fähigkeiten oder mangels Erfahrung und/oder Wissen bestimmt, es sei denn, sie werden durch eine für ihre Sicherheit zuständige Person beaufsichtigt oder erhalten von diesen Anweisungen Personen im Umgang mit dem Gerät. Kinder sollten beaufsichtigt werden, um sicherzustellen, dass sie nicht mit dem begehbaren Hühnerstall spielen.

## ANLEITUNG AUFBEWAHREN

# Produktliste \_



**1** x4pcs 1410mm



**2** x20pcs 1870mm



**3** x10pcs 970mm



**4** x4pcs 1480mm



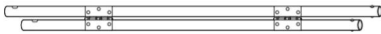
**5** x1pcs 510mm



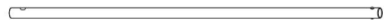
**6** x1pcs 920mm



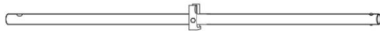
**7** x1pcs 820mm



**D1** x1pcs 1640mm +1570mm



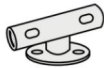
**D2** x1pcs 1570mm



**D3** x1pcs 1640mm



**A** x4pcs



**B** x2pcs



**C** x6pcs



**D** x2pcs



**E** x8pcs



**F** 60m x1pcs



**G** x2pcs



**H** x12pcs



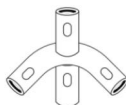
**I** x4bags



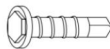
**J** x28pcs



**K** x6pcs



**L** x9pcs



**M2** x10pcs

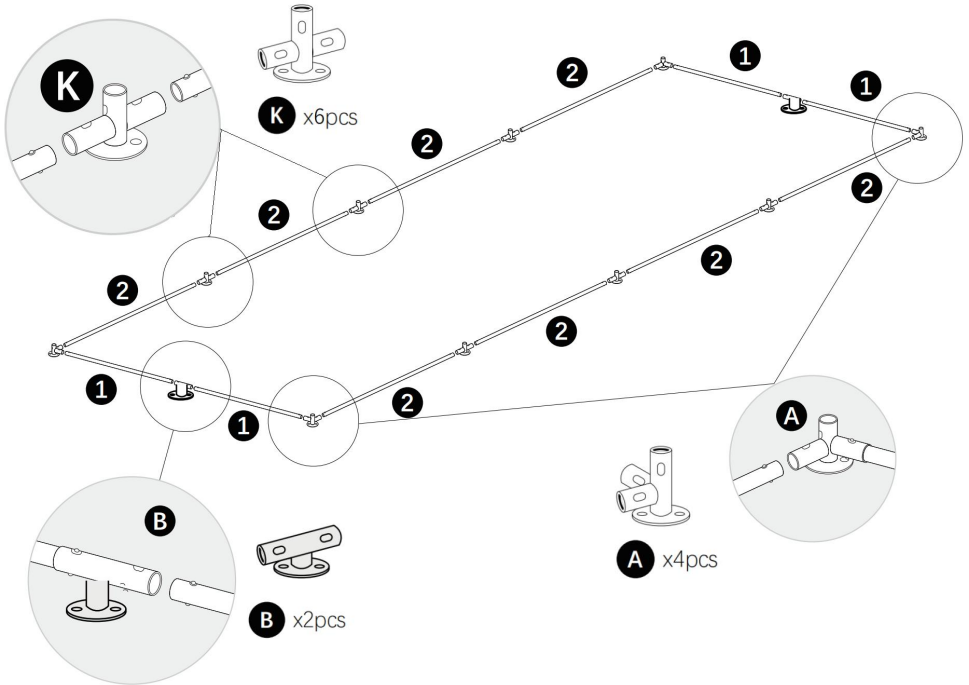


**M1** x7pcs (Spare parts x1pcs)

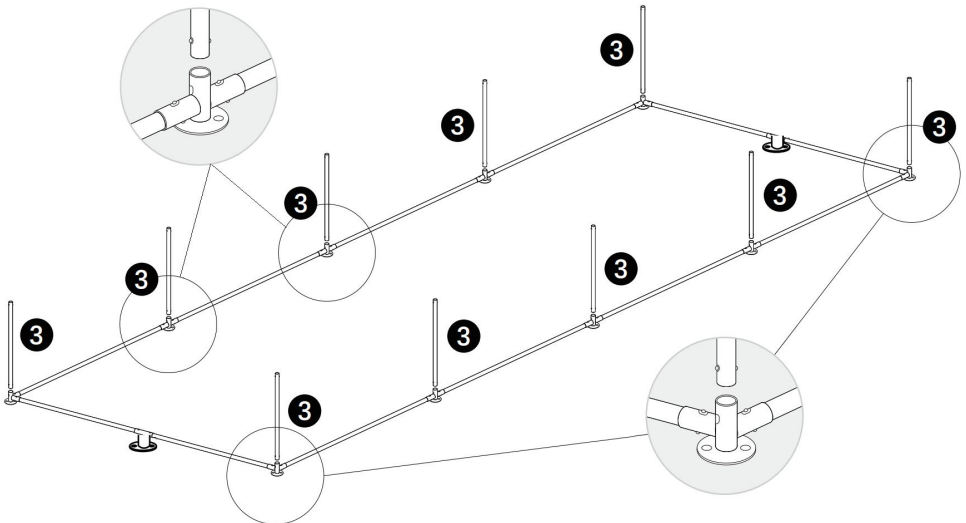
# Produktmontage \_



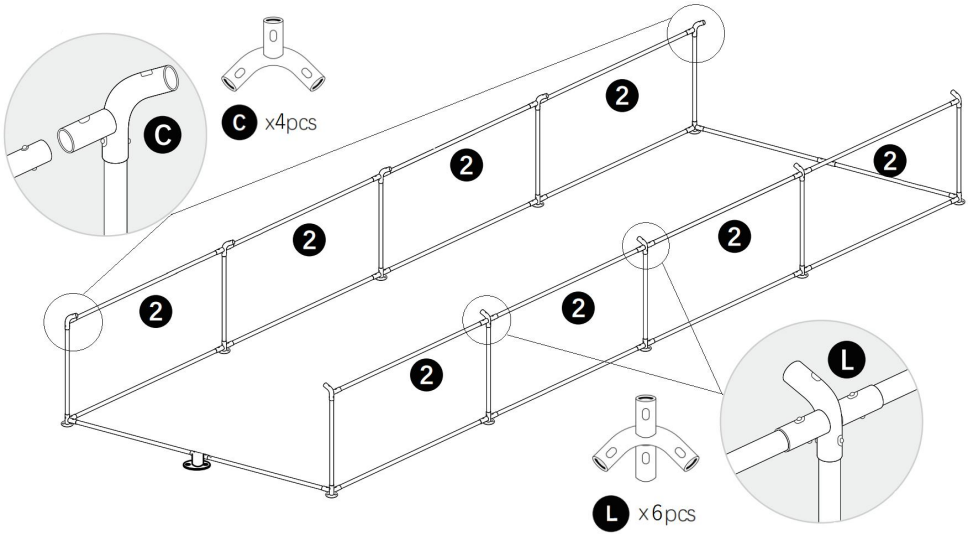
### Schritt 1: Aufbau des unteren Rahmens.



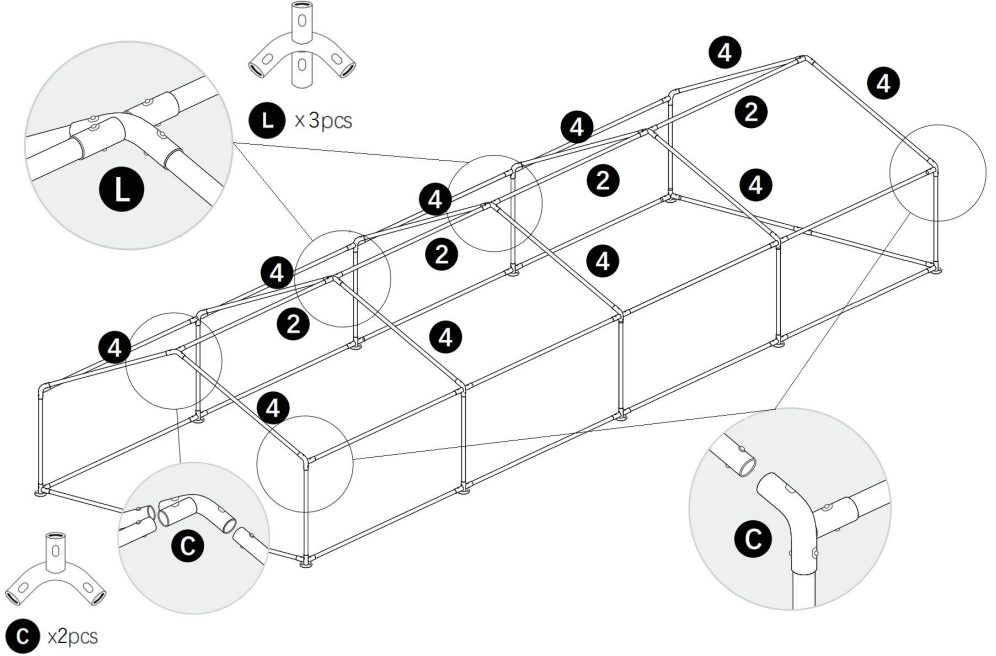
### Schritt 2: Verbinden Sie das Rohr Nr. 3 mit dem unteren Rahmen.



### Schritt 3: Aufbau des Mittelrahmens.

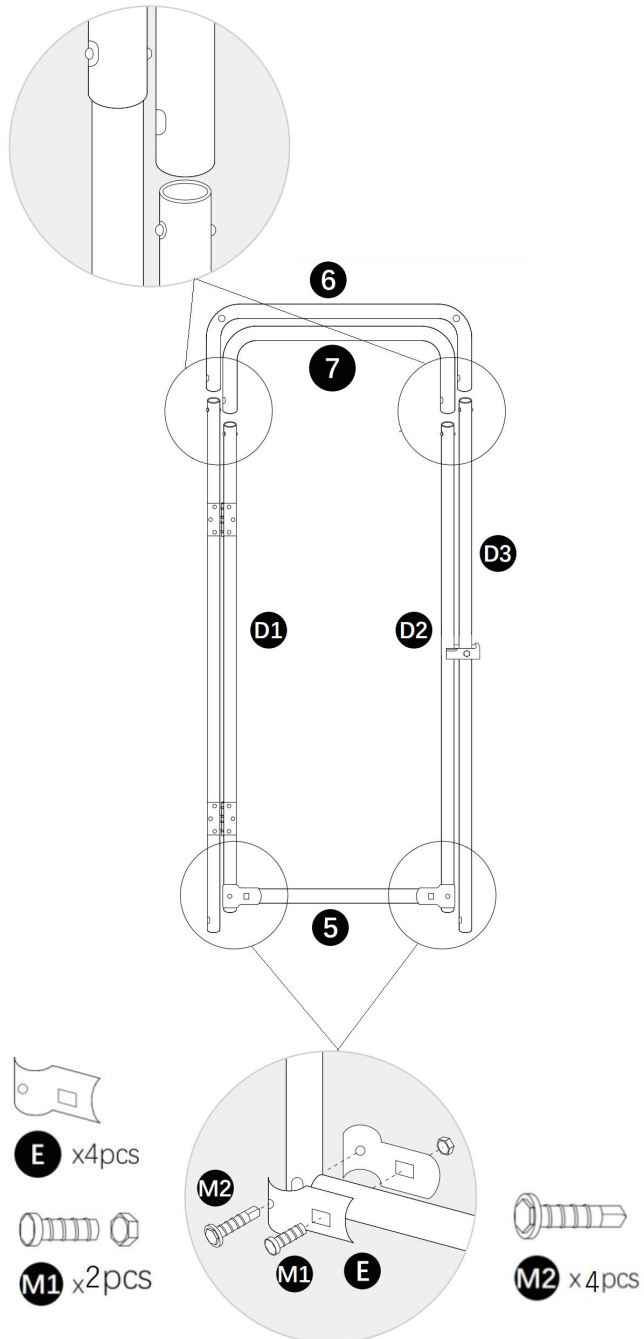


**Schritt 4: Aufbau des oberen Rahmens.**

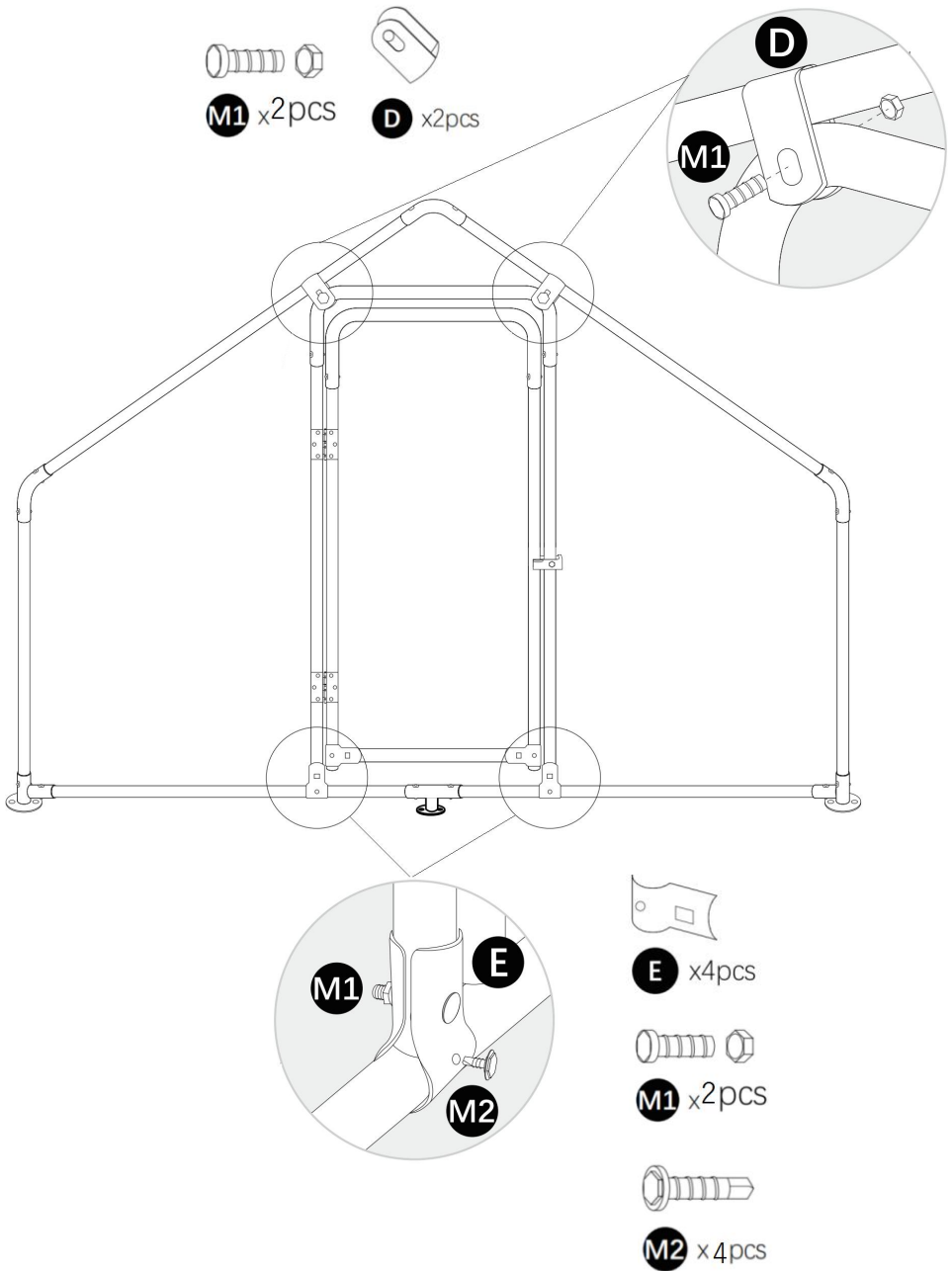


**Schritt 5: Tür bauen.**

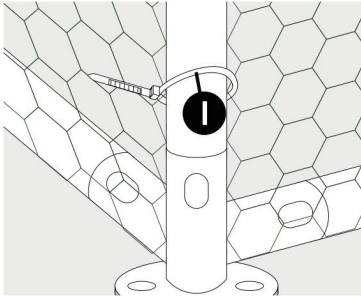
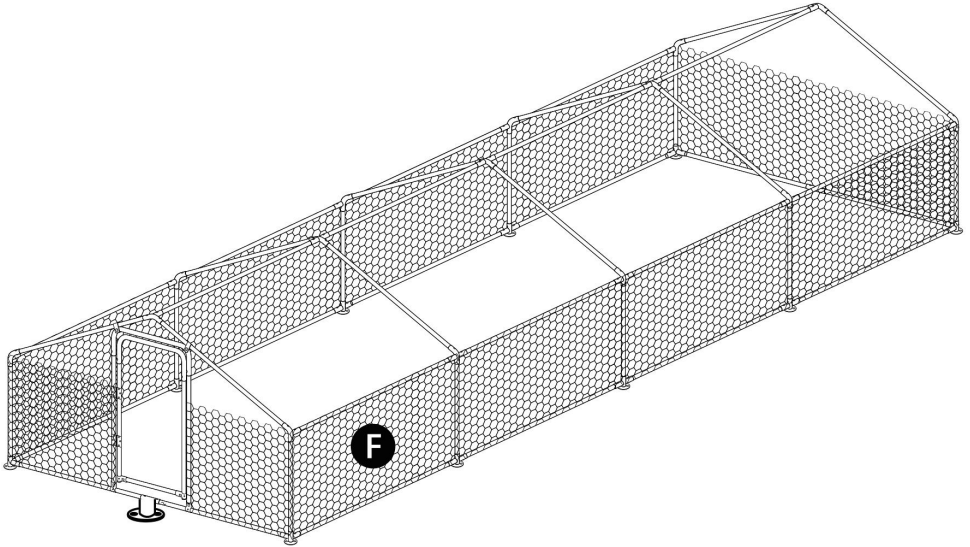




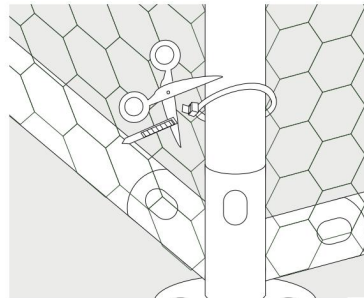
**Schritt 6:** Kontaktieren Sie die Tür mit dem Rahmen.



**Schritt 7:** Den Rahmen mit einem Stahldrahtgeflecht dicht verschließen.

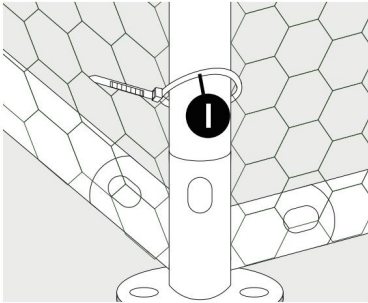
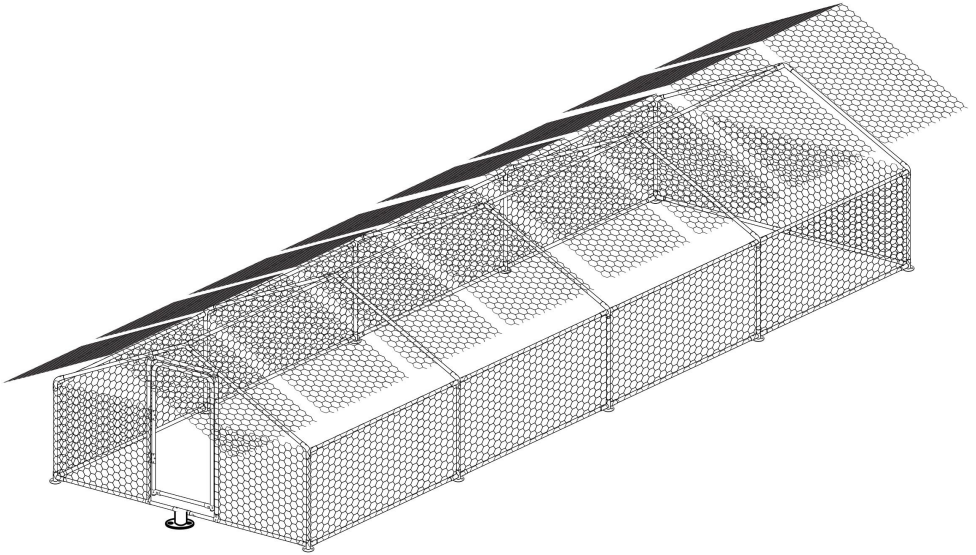


Use cable ties to fix the wire mesh to the iron pipe.

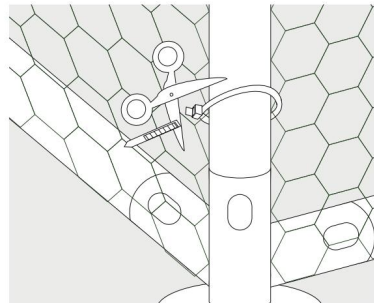


Cut off the excess of the cable tie.

**Schritt 8:** Dach mit Stahldrahtgeflecht dicht abdichten.



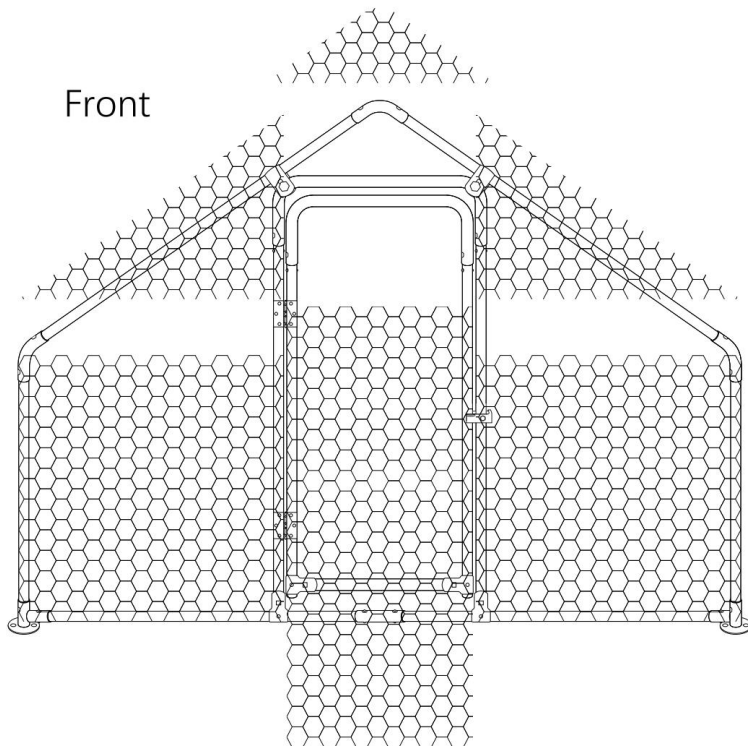
Use cable ties to fix the wire mesh to the iron pipe.



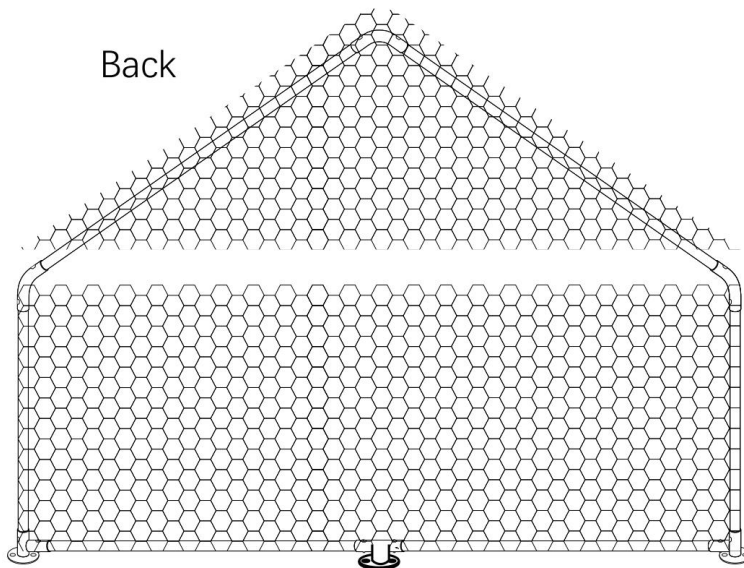
Cut off the excess of the cable tie.

## Schritt 9

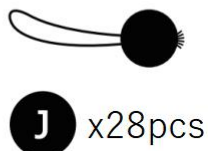
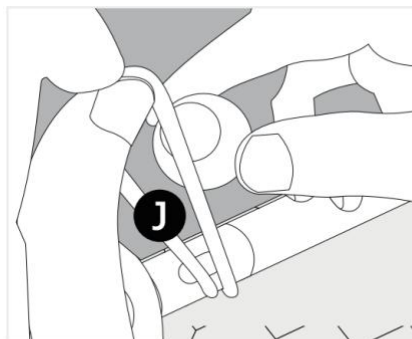
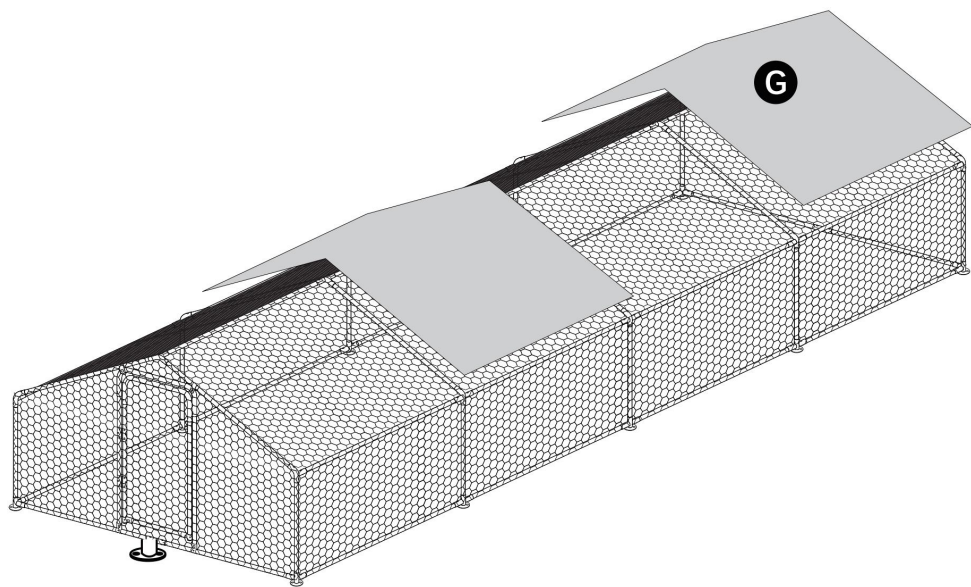
Front



Back



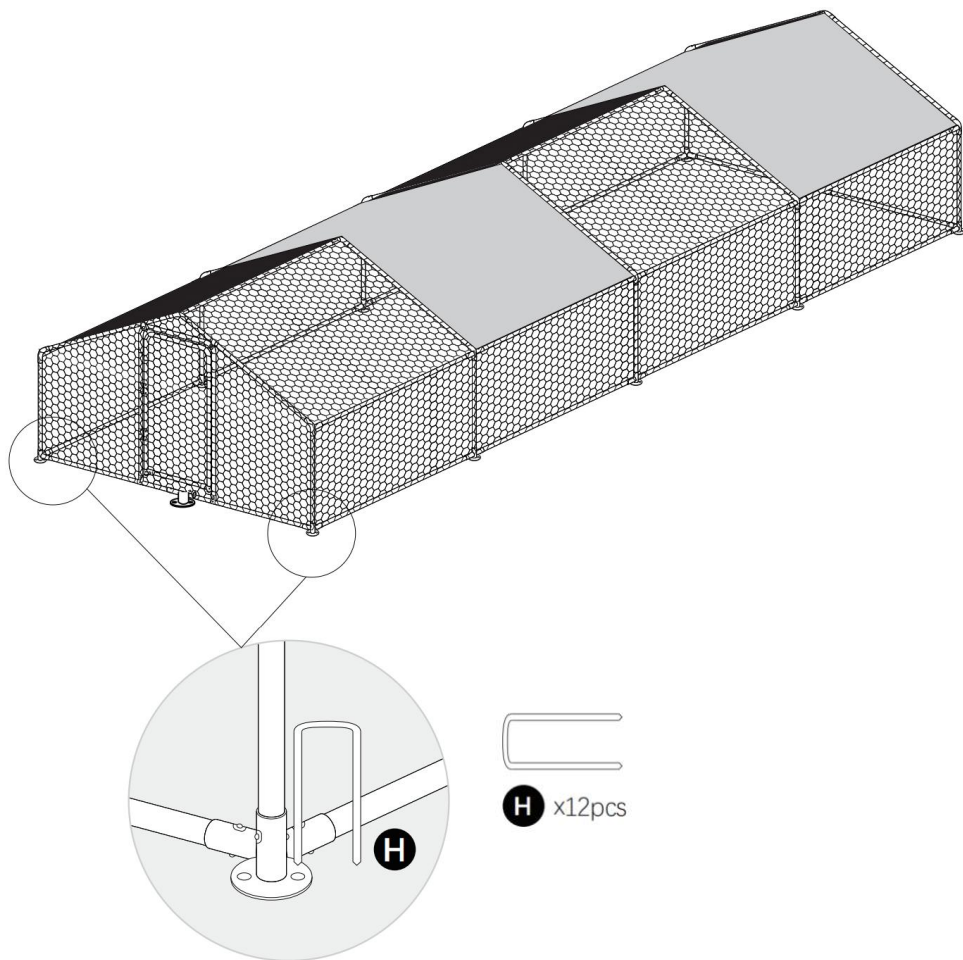
**Schritt 10:** Installieren Sie ein regendichtes Tuch.  
Tuch.



x28pcs

Use a bungee cord to pass through the hole in the rainproof cloth to secure the rainproof cloth.

**Schritt 11:** Hühnerstall reparieren.



Adresse: Baoshanqu Shuangchenglu 803long 11hao 1602A-1609shi Shanghai  
Importiert nach AUS: SIHAO PTY LTD , 1 ROKEVA STREETEASTWOOD NSW  
2122 Australien

Importiert nach USA: Sanven Technology Ltd. , Suite 250 , 9166 Anaheim  
Place , Rancho Cucamonga , CA 91730



Pooledas Group Ltd  
Unit 5 Albert Edward House, The Pavilions  
Preston, United Kingdom



SHUNSHUN GmbH  
Römeräcker 9 Z2021, 76351  
Linkenheim-Hochstetten, Germany

**In China hergestellt**





**VEVOR<sup>®</sup>**

**TOUGH TOOLS, HALF PRICE**

**Technisch Support- und E-Garantiezertifikat**

**[www.vevor.com/support](http://www.vevor.com/support)**

# **VEVOR<sup>®</sup>**

## **TOUGH TOOLS, HALF PRICE**

Technique Assistance et certificat de garantie électronique

[www.vevor.com/support](http://www.vevor.com/support)

## **MARCHER DANS UN POULAILLER**

### **MANUEL DE L'UTILISATEUR**

We continue to be committed to provide you tools with competitive price.

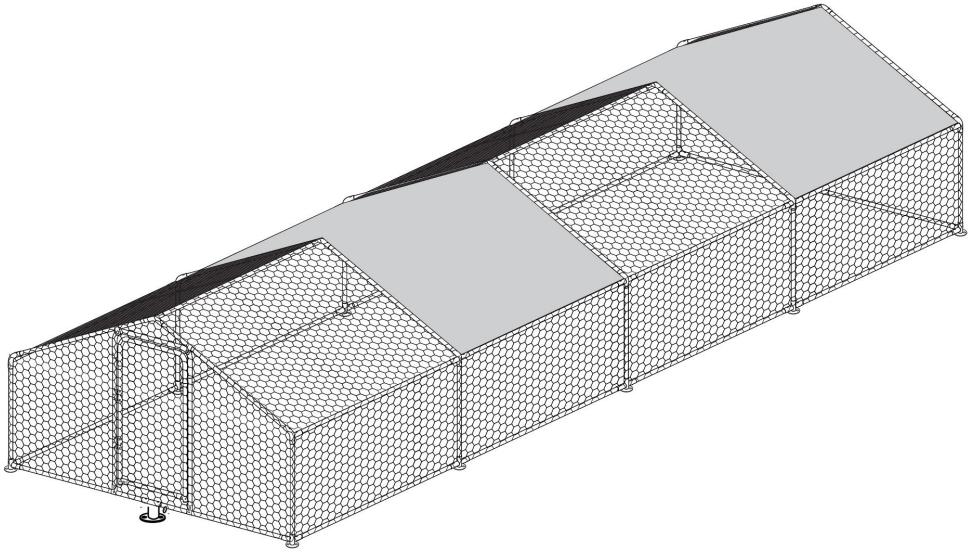
"Save Half", "Half Price" or any other similar expressions used by us only represents an estimate of savings you might benefit from buying certain tools with us compared to the major top brands and does not necessarily mean to cover all categories of tools offered by us. You are kindly reminded to verify carefully when you are placing an order with us if you are actually saving half in comparison with the top major brands.

# VEVOR®

TOUGH TOOLS, HALF PRICE

## WALK IN CHICKEN COOP

RA382



### NEED HELP? CONTACT US!

Have product questions? Need technical support? Please feel free to contact us:

**Technical Support and E-Warranty Certificate**  
[www.vevor.com/support](http://www.vevor.com/support)

This is the original instruction, please read all manual instructions carefully before operating. VEVOR reserves a clear interpretation of our user manual. The appearance of the product shall be subject to the product you received. Please forgive us that we won't inform you again if there are any technology or software updates on our product.

# Précautions de sécurité

## AVERTISSEMENT:

**Lisez ces instructions** avant d'utiliser ce produit. Ne pas le faire peut entraîner des blessures graves. Les précautions de base doivent toujours être suivies, notamment les suivantes :

1. Le poulailler ne doit pas être utilisé ou stocké dans des zones dangereuses. Il est interdit d'utiliser l'appareil dans des endroits dangereux.
2. Le poulailler de plain-pied doit être vérifié pour s'assurer qu'il est en bon état de fonctionnement et qu'il fonctionne en toute sécurité avant utilisation. Sinon, l'appareil ne doit pas être utilisé.
7. Veuillez déneiger régulièrement le toit, car trop de neige entraînerait l'effondrement de la bâche.
4. L'opérateur doit utiliser le poulailler de façon appropriée. Il doit tenir compte des conditions locales et faire attention aux tiers, en particulier aux enfants, lorsqu'il travaille avec le poulailler ambulante.
9. Ce poulailler promenade n'est pas destiné à être utilisé par des personnes (y compris des enfants) ayant des capacités physiques, sensorielles ou mentales réduites ou manquant d'expérience et/ou de connaissances, à moins qu'elles ne soient supervisées par une personne responsable de leur sécurité ou instruites par celles-ci. personnes sur l'utilisation de l'appareil. Les enfants doivent être surveillés pour s'assurer qu'ils ne jouent pas avec le poulailler.

## CONSERVEZ CES INSTRUCTIONS

# Liste de produits



**1** x4pcs 1410mm



**2** x20pcs 1870mm



**3** x10pcs 970mm



**4** x4pcs 1480mm



**5** x1pcs 510mm



**6** x1pcs 920mm



**7** x1pcs 820mm



**D1** x1pcs 1640mm +1570mm



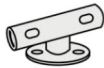
**D2** x1pcs 1570mm



**D3** x1pcs 1640mm



**A** x4pcs



**B** x2pcs



**C** x6pcs



**D** x2pcs



**E** x8pcs



**F** 60m x1pcs



**G** x2pcs



**H** x12pcs



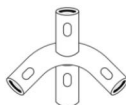
**I** x4bags



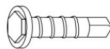
**J** x28pcs



**K** x6pcs



**L** x9pcs



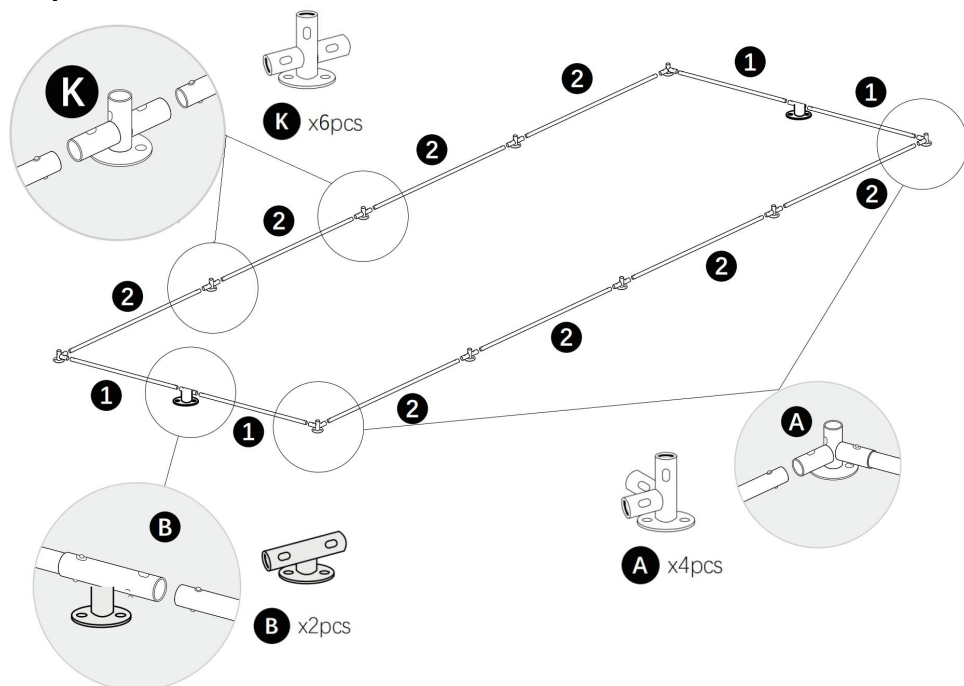
**M2** x10pcs



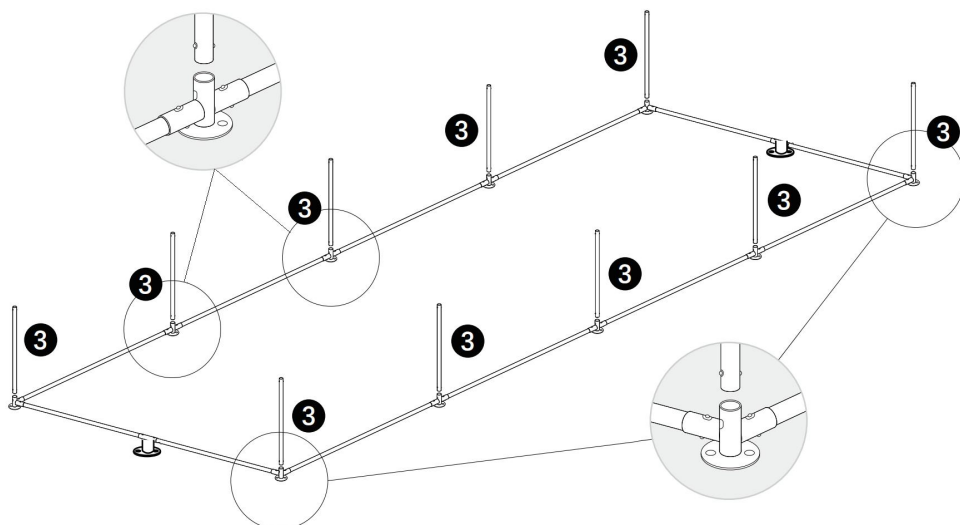
**M1** x7pcs (Spare parts x1pcs)

## Assemblage du produit

## Étape 1 : Construire le cadre inférieur.

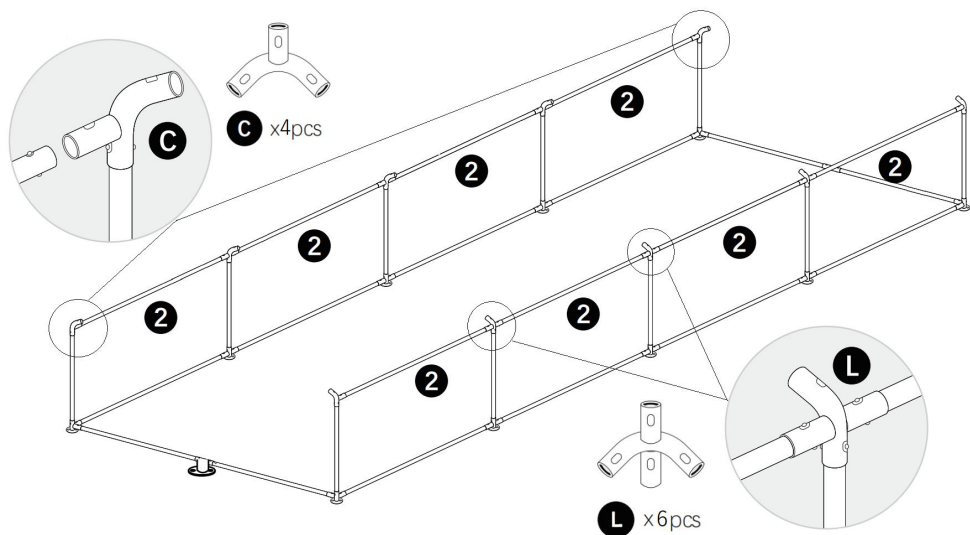


## Étape 2: Reliez le tube n°3 au cadre inférieur.

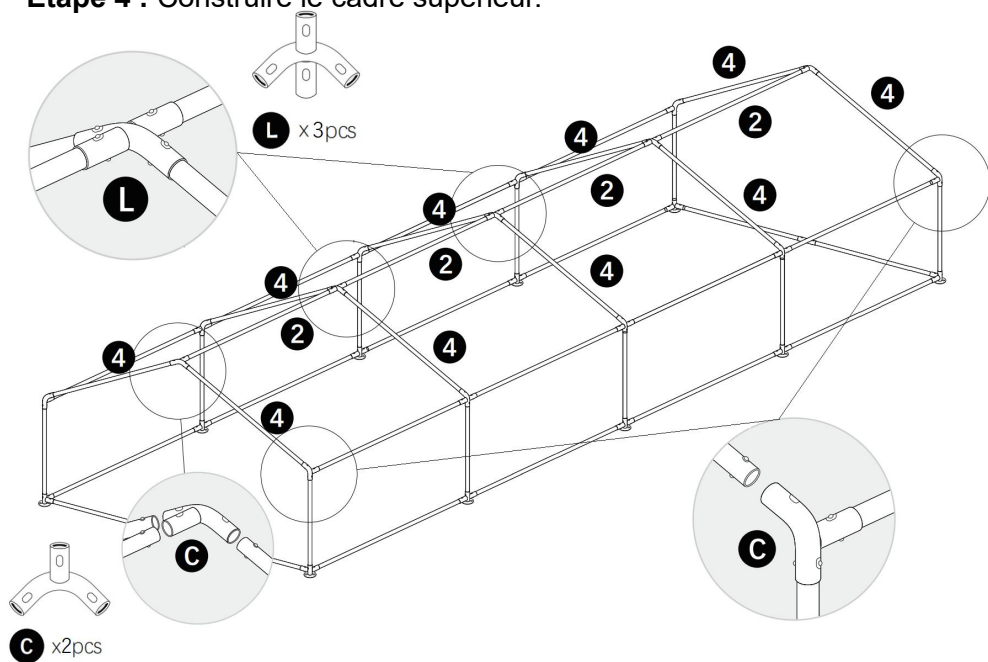


## Étape 3: Construire le cadre central.

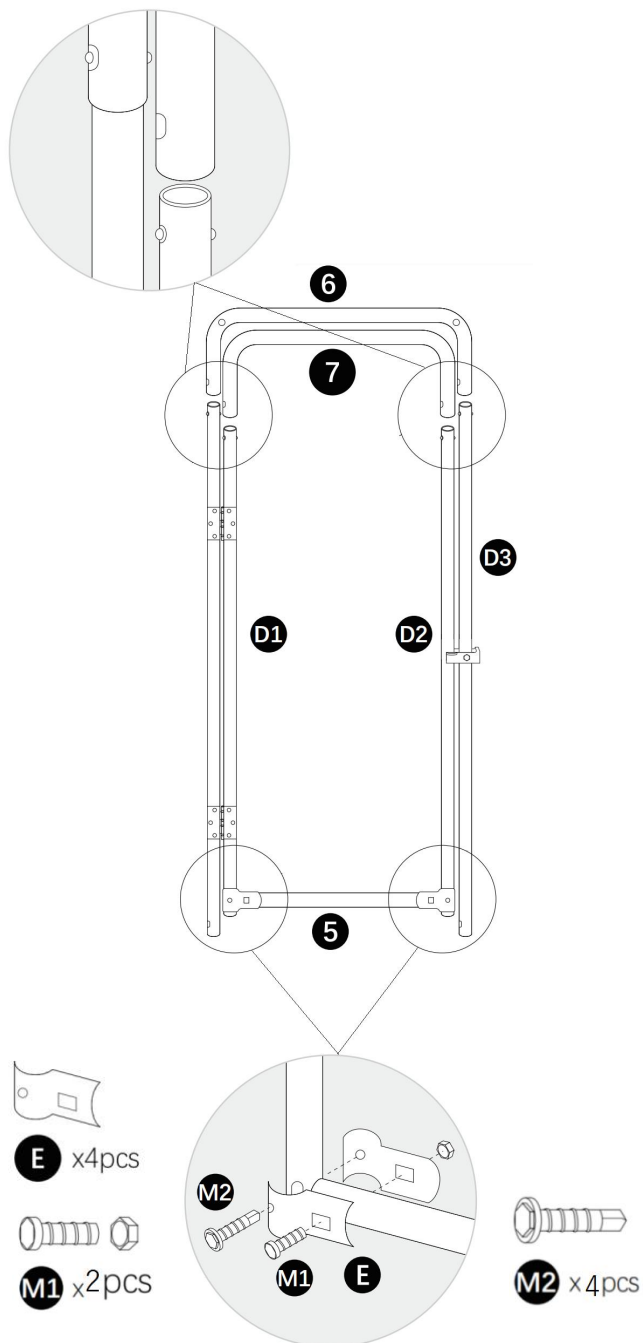




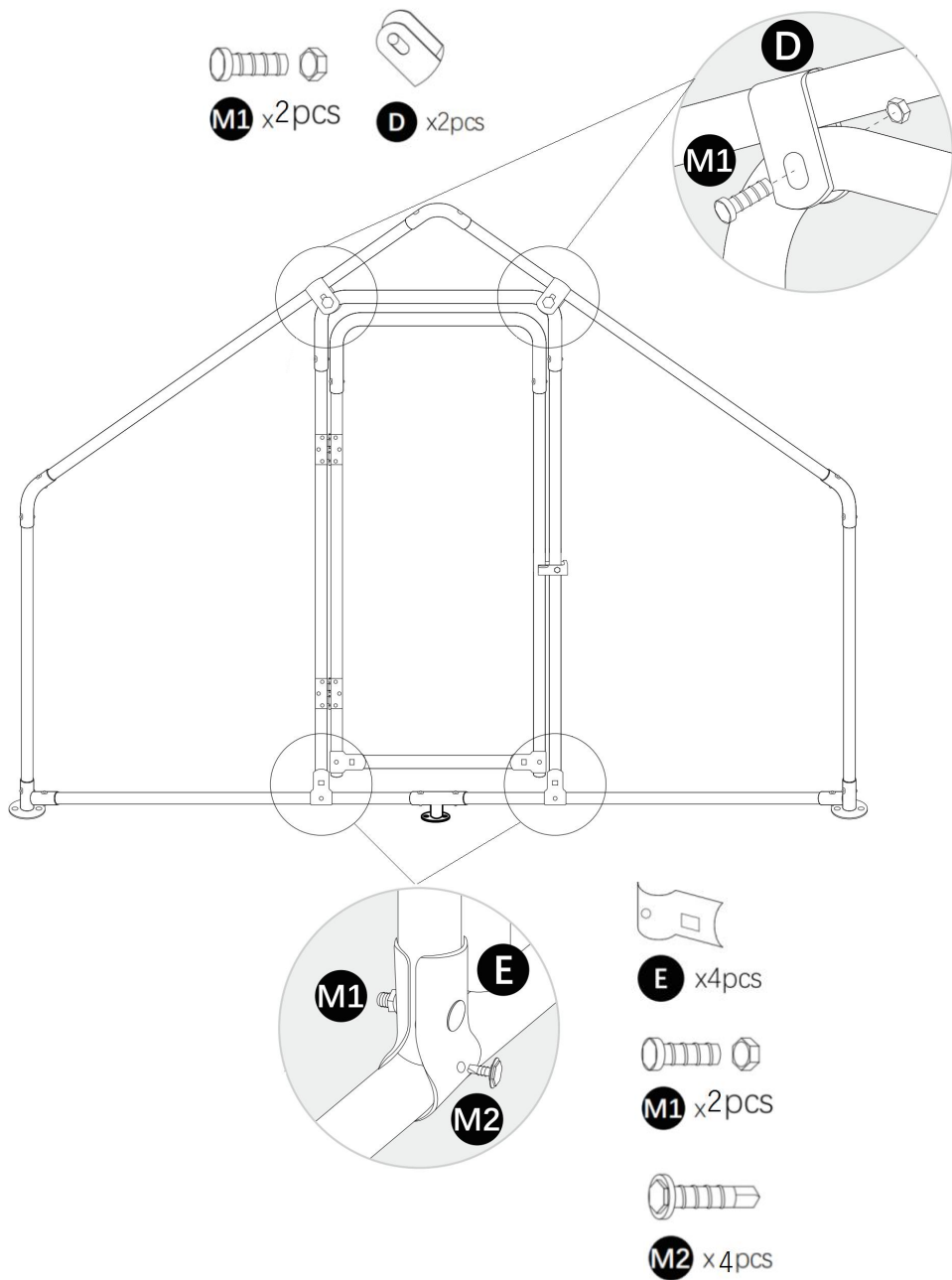
**Étape 4 : Construire le cadre supérieur.**



**Étape 5 : Construire la porte.**

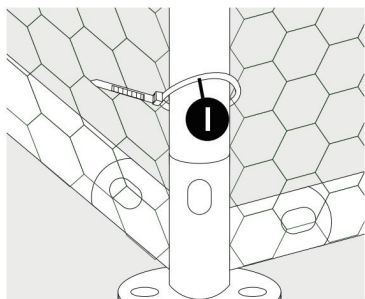
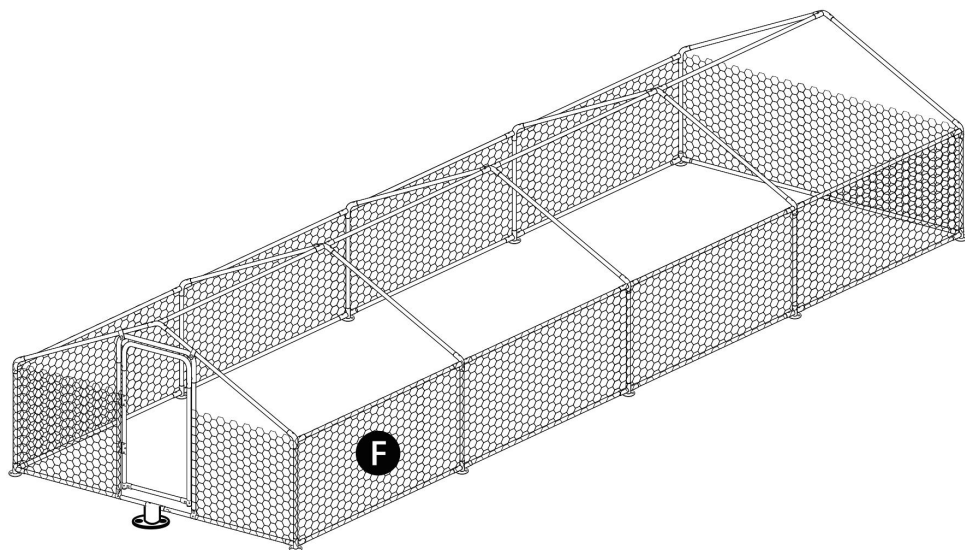


**Étape 6** : Contactez la porte avec le cadre.

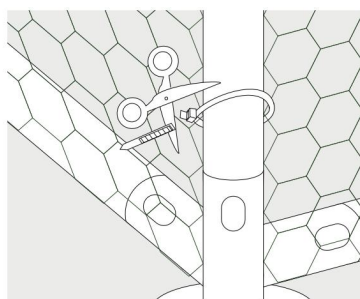


**Étape 7 :** Scellez hermétiquement le cadre avec un treillis métallique en

acier.

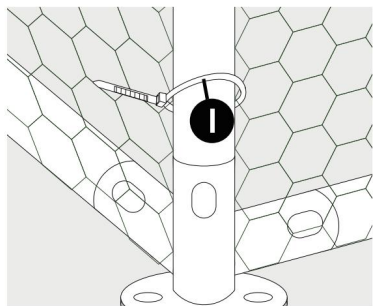
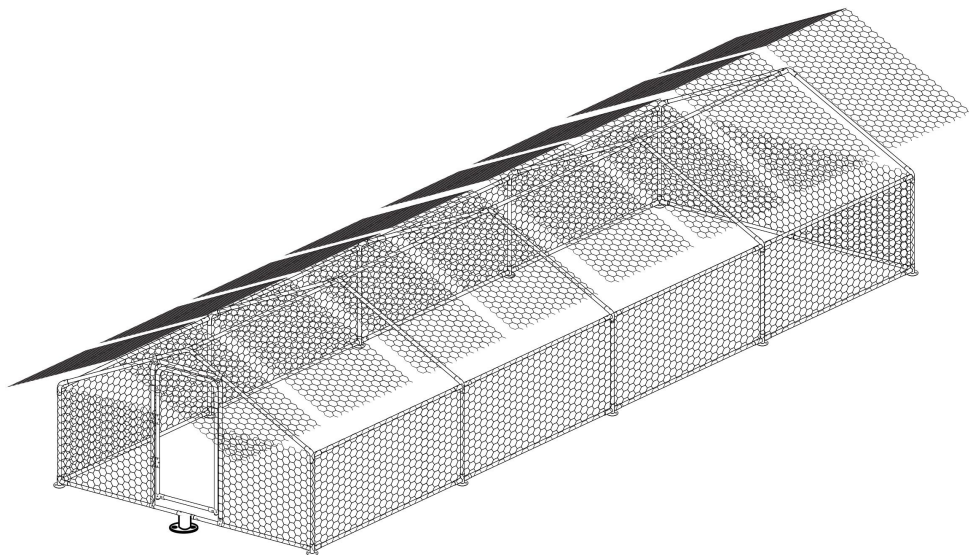


Use cable ties to fix the wire mesh to the iron pipe.

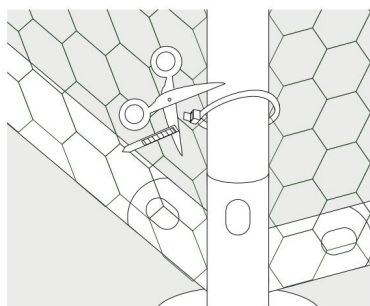


Cut off the excess of the cable tie.

**Étape 8** : Scellez hermétiquement le toit avec un treillis métallique en acier.



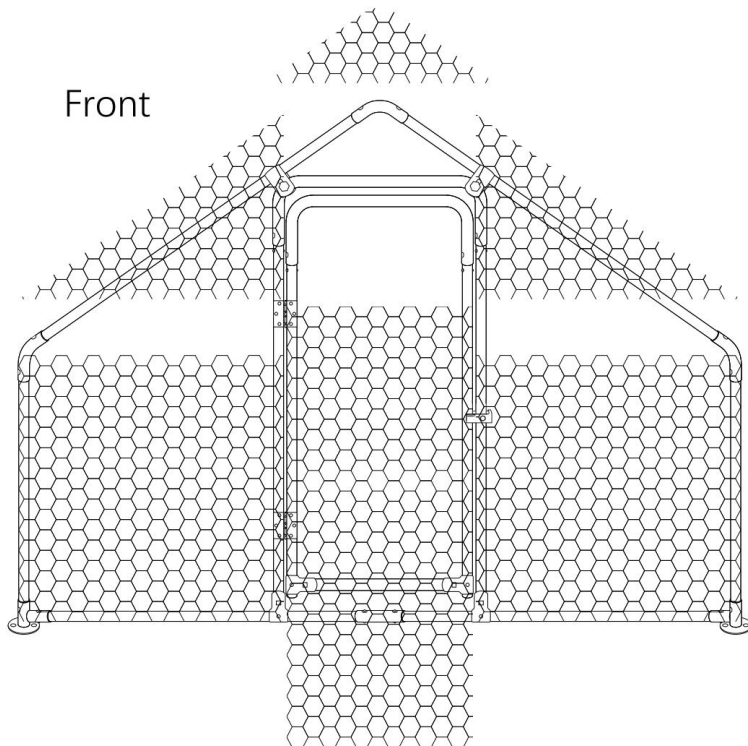
Use cable ties to fix the wire mesh to the iron pipe.



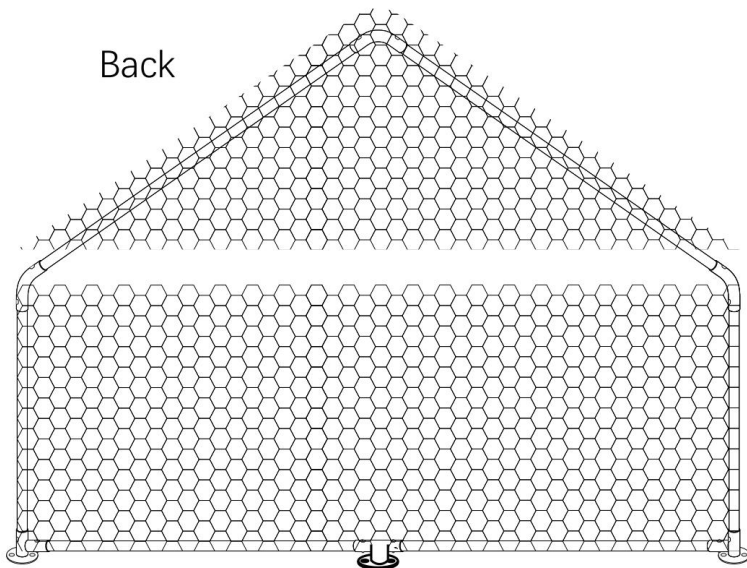
Cut off the excess of the cable tie.

## Étape 9

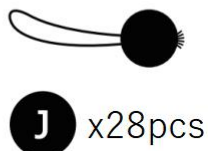
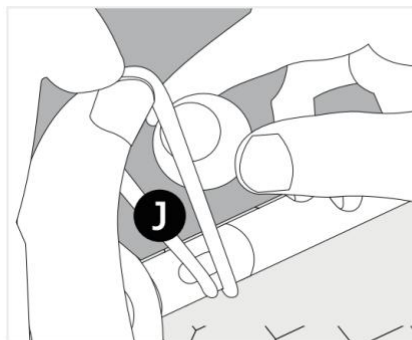
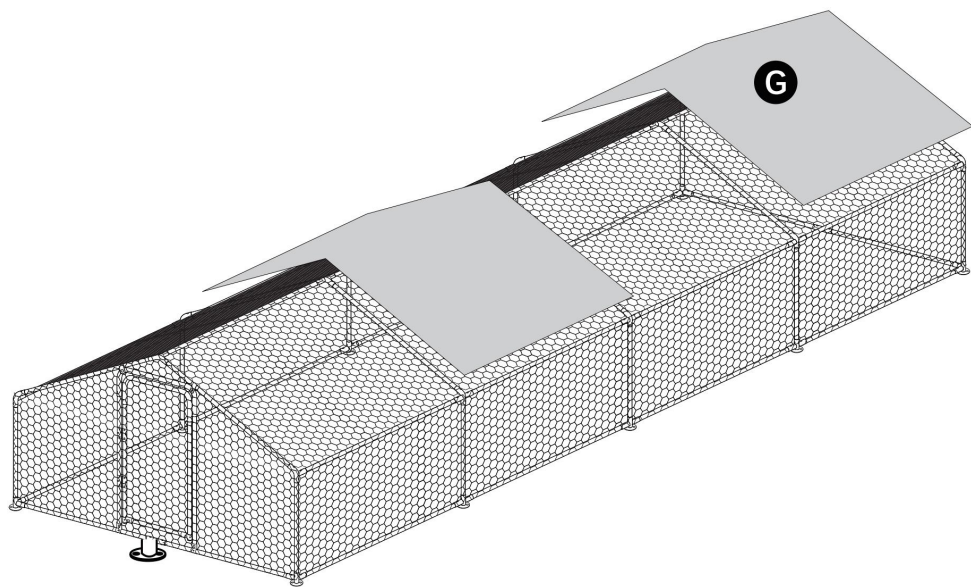
Front



Back



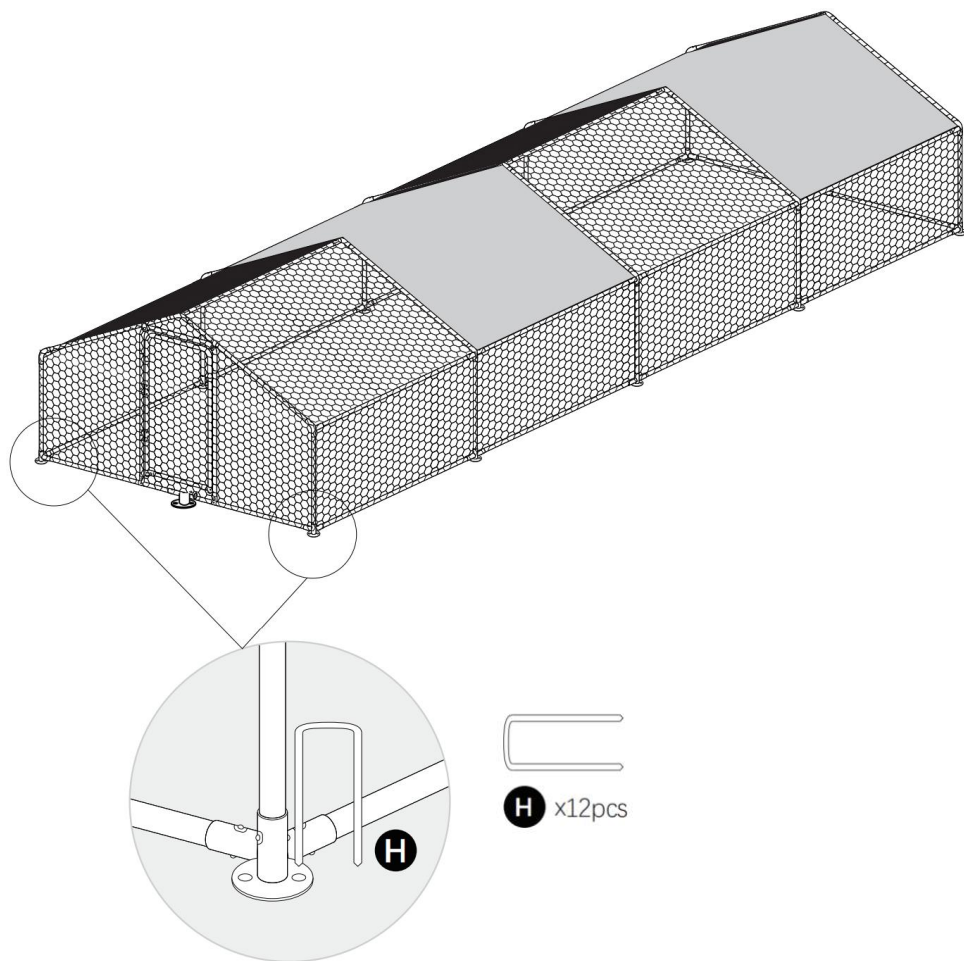
**Étape 10** : Installez un chiffon imperméable.



Use a bungee cord to pass through the hole in the rainproof cloth to secure the rainproof cloth.



**Étape 11** : Poulailler  
réparé.



Adresse : Baoshanqu Shuangchenglu 803long 11hao 1602A-1609shi Shanghai  
Importé en Australie : SIHAO PTY LTD , 1 ROKEVA STREETESTWOOD NSW  
2122 Australie

Importé aux États-Unis : Sanven Technology Ltd. , Suite 250 , 9166  
Anaheim Place , Rancho Cucamonga , CA 91730



Pooledas Group Ltd  
Unit 5 Albert Edward House, The Pavilions  
Preston, United Kingdom



SHUNSHUN GmbH  
Römeräcker 9 Z2021, 76351  
Linkenheim-Hochstetten, Germany

**Fabriqué en Chine**



**VEVOR**<sup>®</sup>

**TOUGH TOOLS, HALF PRICE**

**Technique Assistance et certificat de garantie électronique**

**[www.vevor.com/support](http://www.vevor.com/support)**

# **VEVOR<sup>®</sup>**

## **TOUGH TOOLS, HALF PRICE**

Technisch Ondersteuning en e-garantiecertificaat [www.vevor.com/support](http://www.vevor.com/support)

## **LOOP IN KIPPENHOK**

### **HANDLEIDING**

We continue to be committed to provide you tools with competitive price.

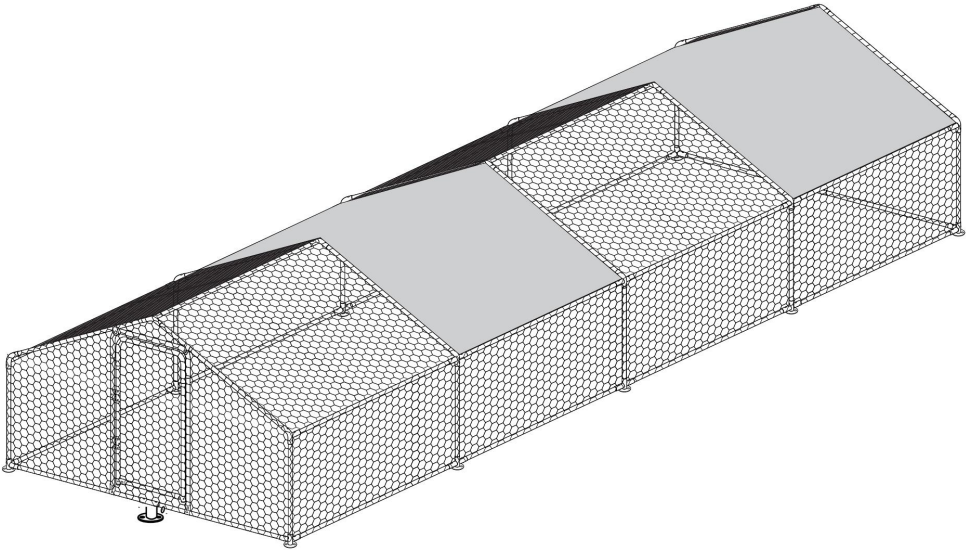
"Save Half", "Half Price" or any other similar expressions used by us only represents an estimate of savings you might benefit from buying certain tools with us compared to the major top brands and does not necessarily mean to cover all categories of tools offered by us. You are kindly reminded to verify carefully when you are placing an order with us if you are actually saving half in comparison with the top major brands.

# VEVOR®

TOUGH TOOLS, HALF PRICE

## WALK IN CHICKEN COOP

RA382



### NEED HELP? CONTACT US!

Have product questions? Need technical support? Please feel free to contact us:

**Technical Support and E-Warranty Certificate**  
[www.vevor.com/support](http://www.vevor.com/support)

This is the original instruction, please read all manual instructions carefully before operating. VEVOR reserves a clear interpretation of our user manual. The appearance of the product shall be subject to the product you received. Please forgive us that we won't inform you again if there are any technology or software updates on our product.

# Veiligheidsmaatregelen

## WAARSCHUWING:

**Lees deze instructies** voordat u dit product gebruikt. Als u dit niet doet, kan dit leiden tot ernstig letsel. de basisvoorzorgsmaatregelen moeten altijd worden gevolgd , waaronder de volgende:

1. Het inloopkippenhok mag niet worden gebruikt of opgeslagen in explosiegevaarlijke ruimtes. Het is niet toegestaan het apparaat op gevaarlijke locaties te gebruiken.
2. Het inloopkippenhok moet vóór gebruik worden gecontroleerd om er zeker van te zijn dat het in goede staat verkeert en veilig functioneert. Anders mag het apparaat niet worden gebruikt.
8. Maak het dak regelmatig sneeuwvrij, bij teveel sneeuw kan het zeildoek inzakken.
4. De exploitant moet het inloopkippenhok op de juiste manier gebruiken. Hij moet rekening houden met de plaatselijke omstandigheden en aandacht besteden aan derden, vooral kinderen, wanneer hij met het inloopkippenhok werkt.
10. Dit inloopkippenhok is niet bedoeld voor gebruik door personen (inclusief kinderen) met verminderde lichamelijke, zintuiglijke of geestelijke vermogens of gebrek aan ervaring en/of kennis, tenzij zij onder toezicht staan van een persoon die verantwoordelijk is voor hun veiligheid of door deze personen zijn geïnstrueerd. personen over het gebruik van het apparaat. Kinderen moeten onder toezicht staan, om ervoor te zorgen dat ze niet met het inloopkippenhok spelen.

## BEWAAR DEZE INSTRUCTIES

# Product lijst





**1** x4pcs 1410mm



**2** x20pcs 1870mm



**3** x10pcs 970mm



**4** x4pcs 1480mm



**5** x1pcs 510mm



**6** x1pcs 920mm



**7** x1pcs 820mm



**D1** x1pcs 1640mm +1570mm



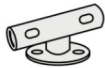
**D2** x1pcs 1570mm



**D3** x1pcs 1640mm



**A** x4pcs



**B** x2pcs



**C** x6pcs



**D** x2pcs



**E** x8pcs



**F** 60m x1pcs



**G** x2pcs



**H** x12pcs



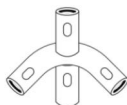
**I** x4bags



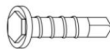
**J** x28pcs



**K** x6pcs



**L** x9pcs



**M2** x10pcs

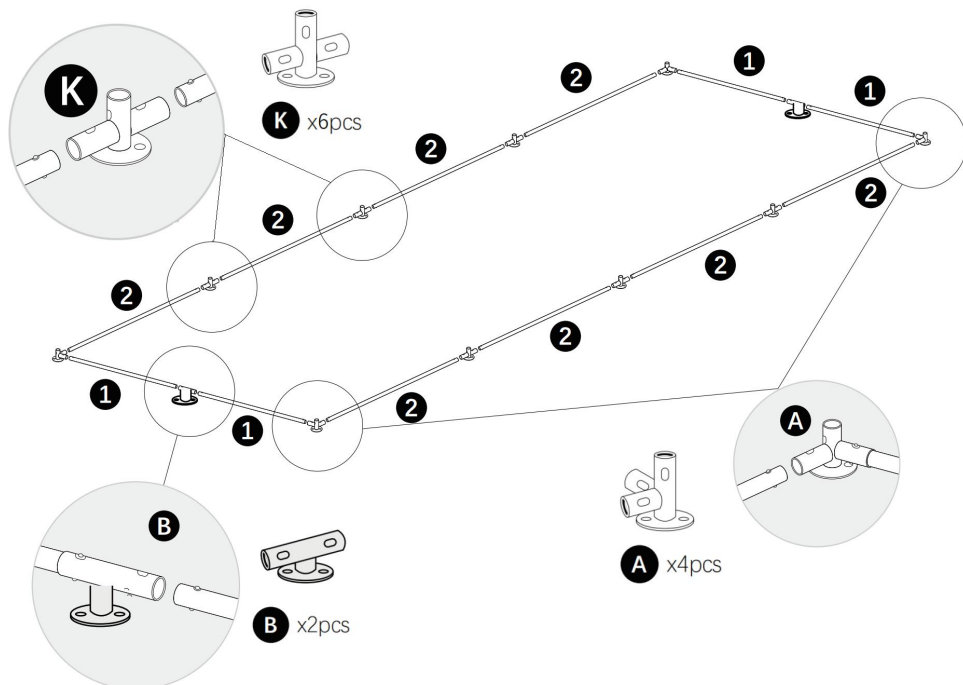


**M1** x7pcs (Spare parts x1pcs)

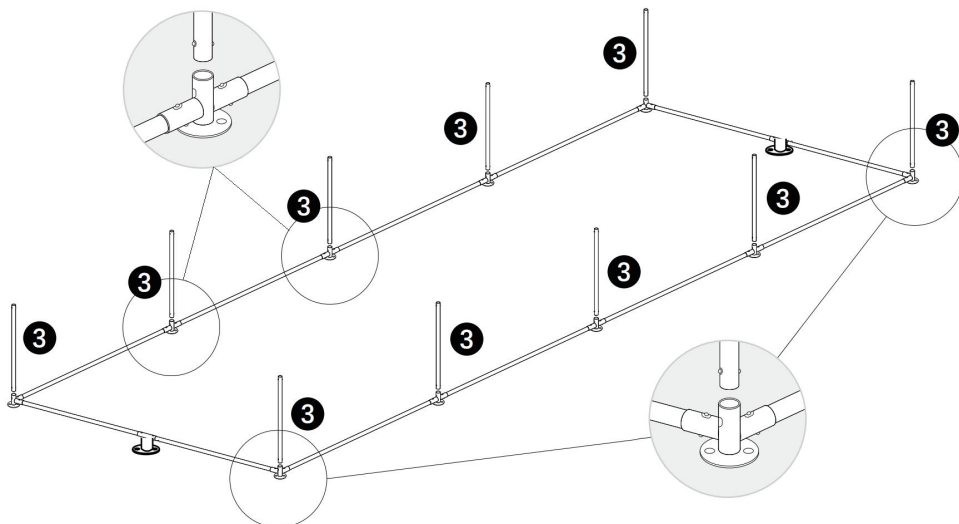
# Productmontage \_



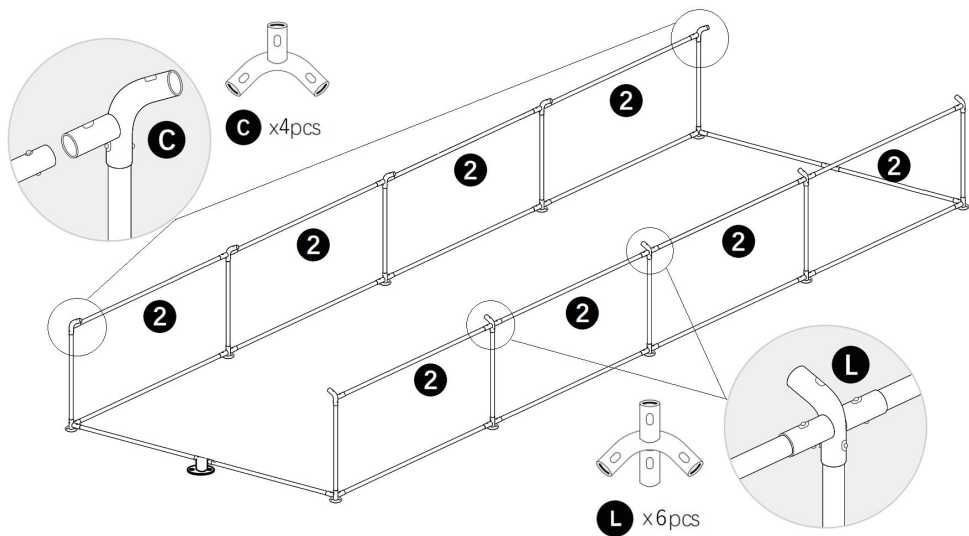
## Stap 1: Het onderframe bouwen .



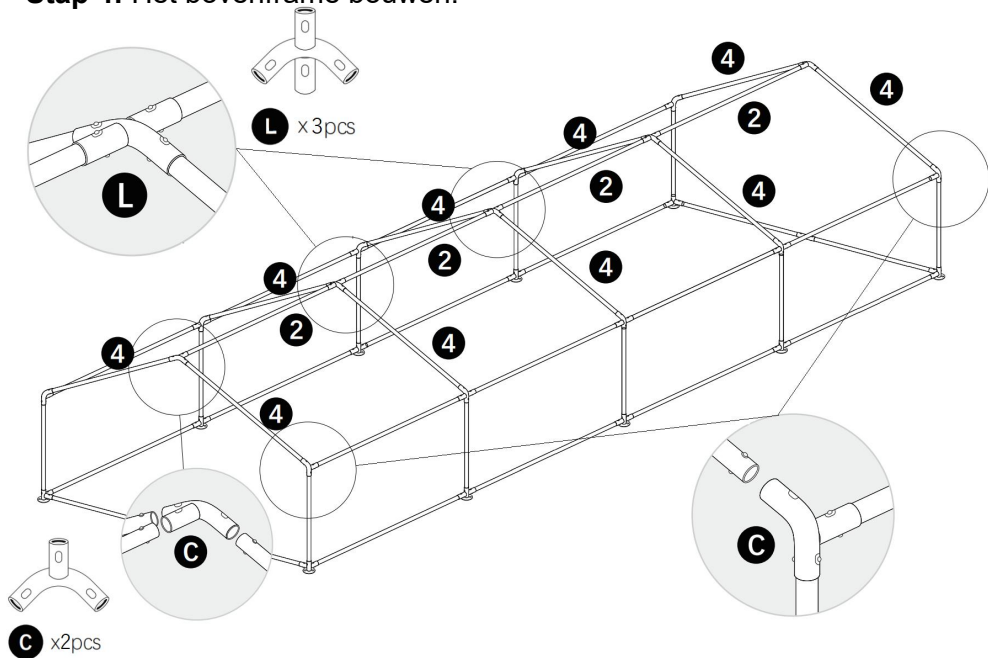
## Stap 2: Verbind buis nr. 3 met het onderframe.



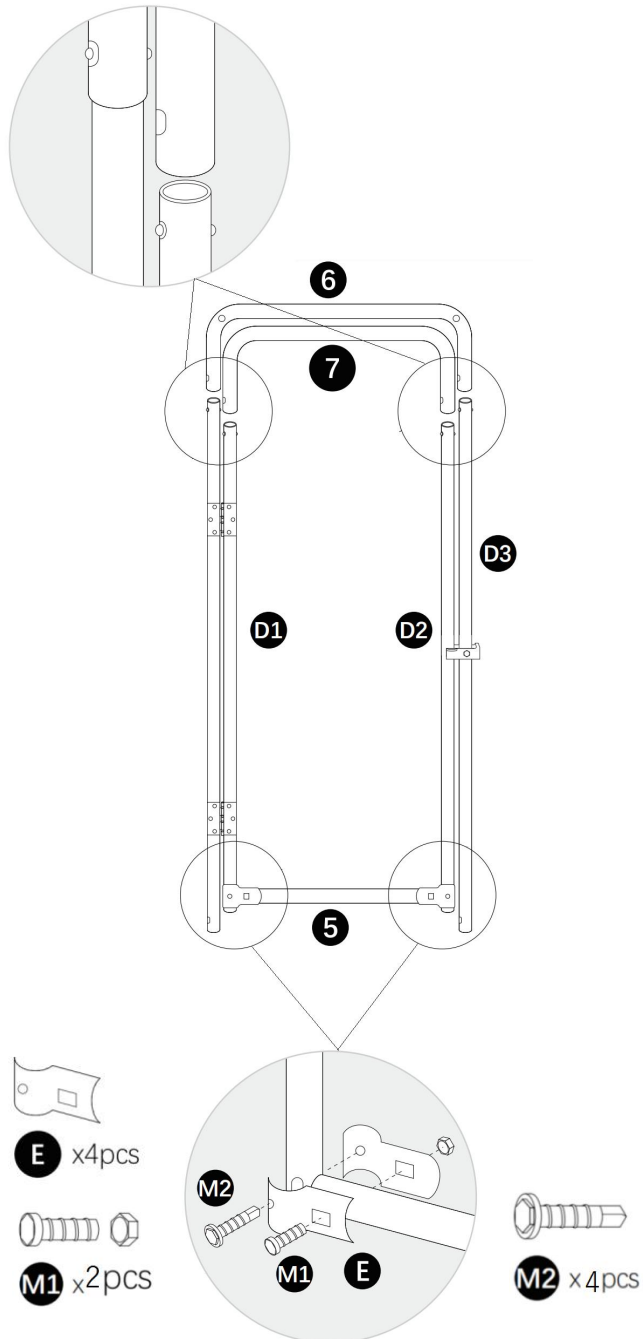
## Stap 3: Het middenframe bouwen.



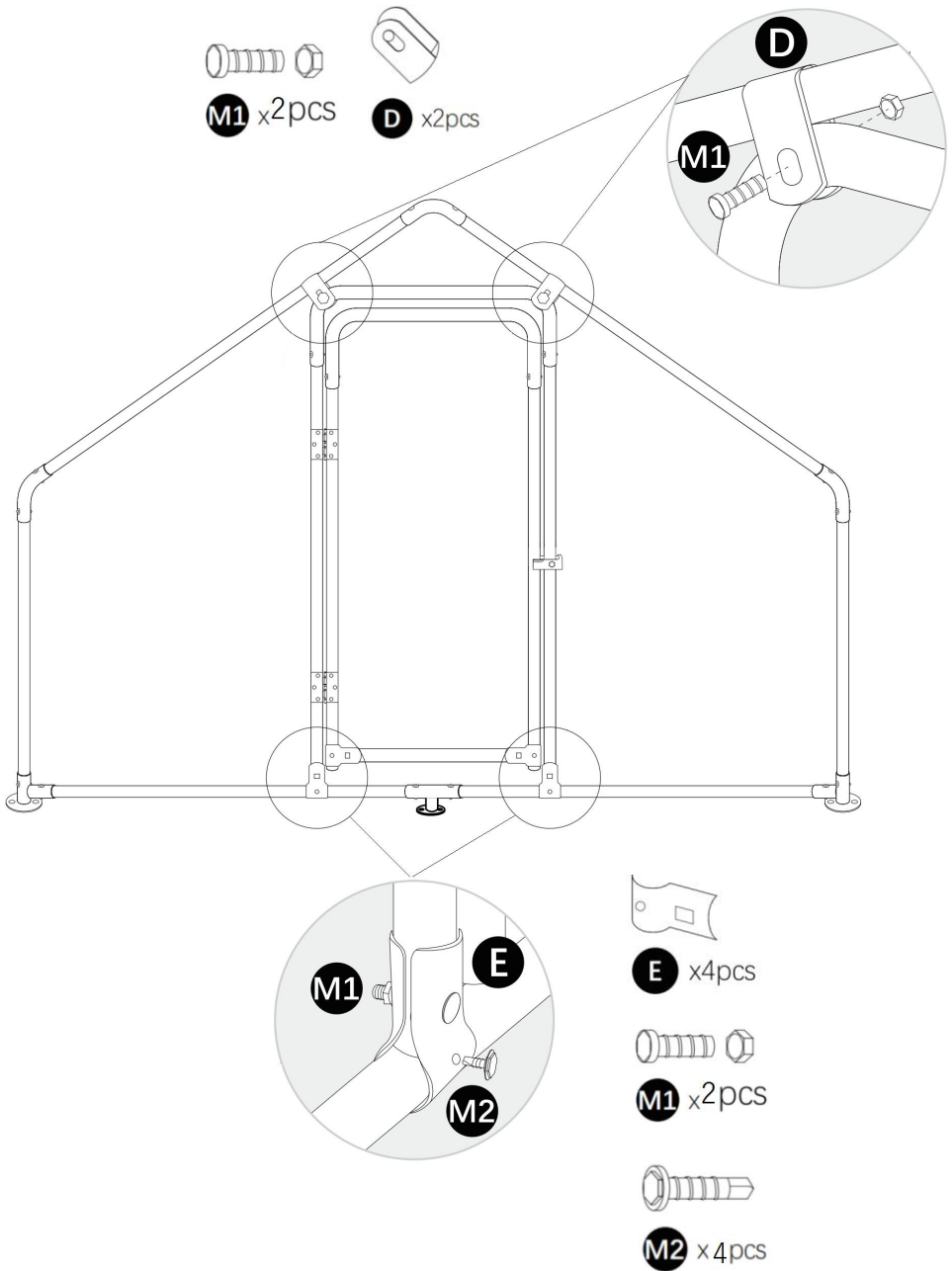
**Stap 4: Het bovenframe bouwen.**



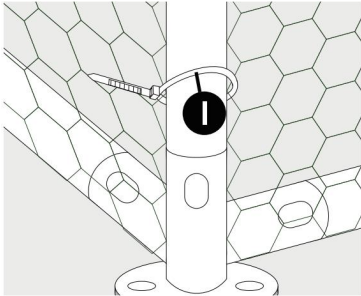
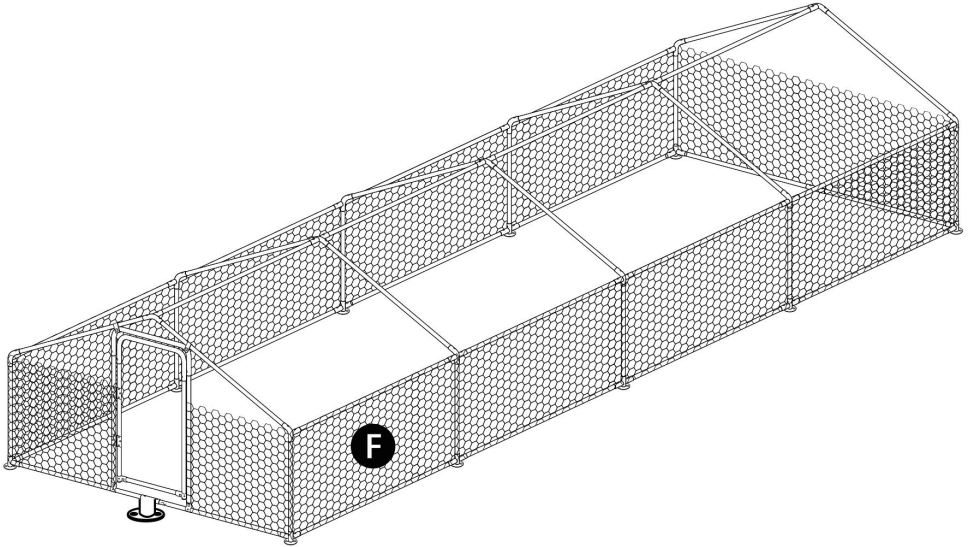
**Stap 5: De deur bouwen.**



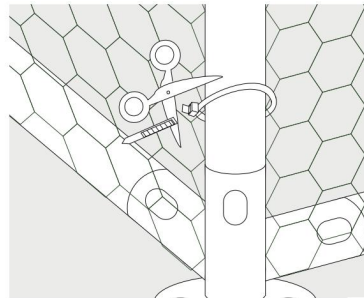
**Stap 6:** Maak contact met de deur met het frame.



**Stap 7:** Sluit het frame goed af met staaldraadgaas.

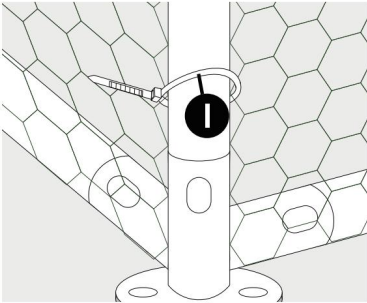
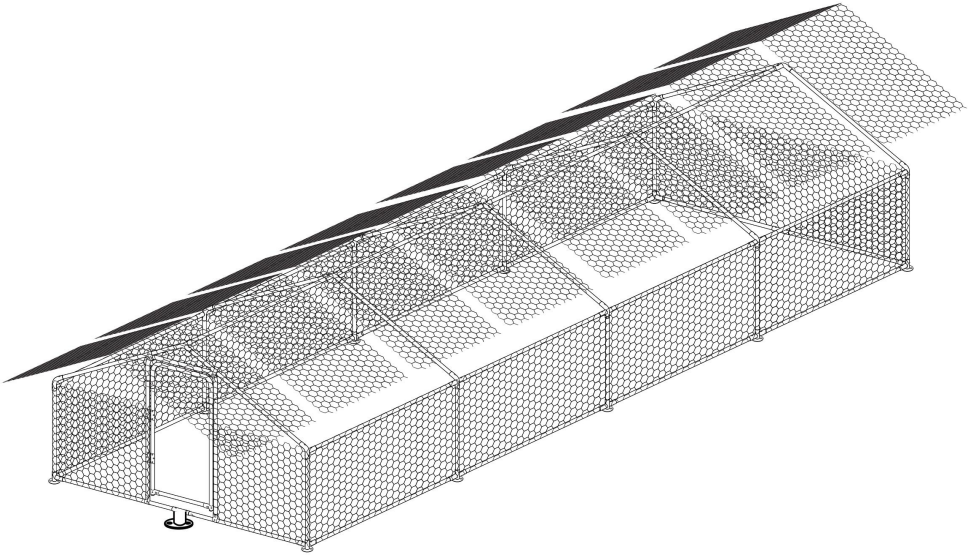


Use cable ties to fix the wire mesh to the iron pipe.

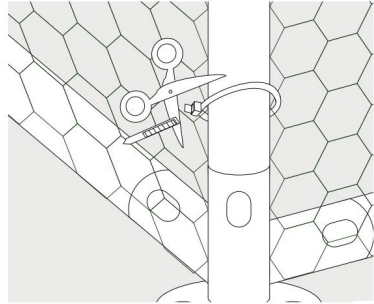


Cut off the excess of the cable tie.

**Stap 8:** Sluit het dak goed af met staaldraadgaas.



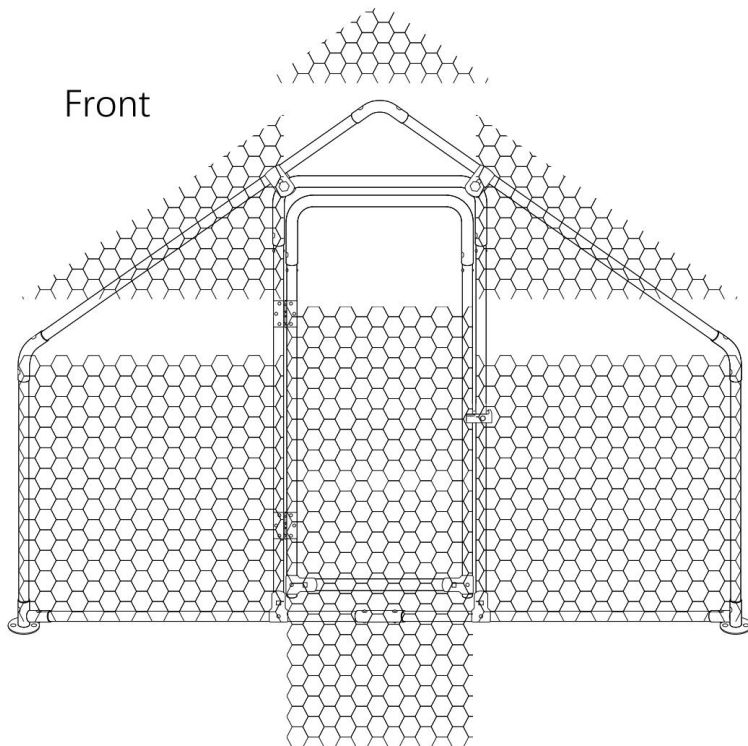
Use cable ties to fix the wire mesh to the iron pipe.



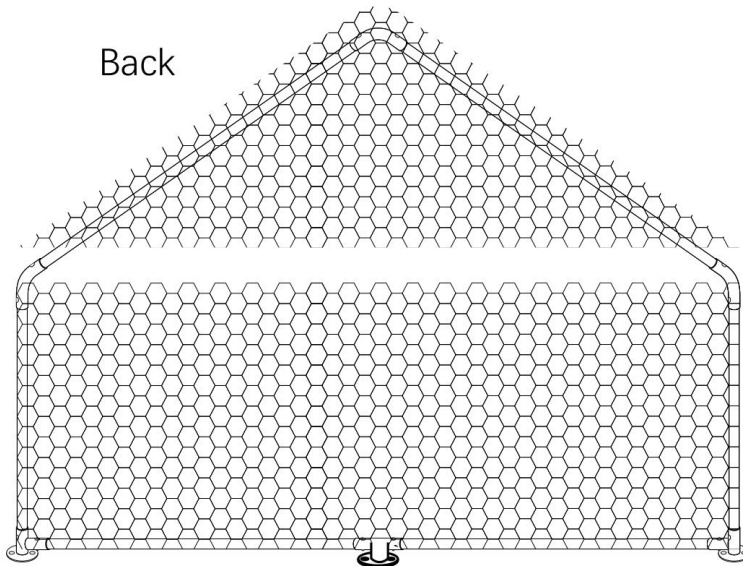
Cut off the excess of the cable tie.

## Step 9

Front

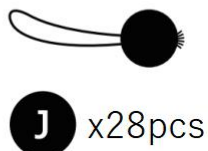
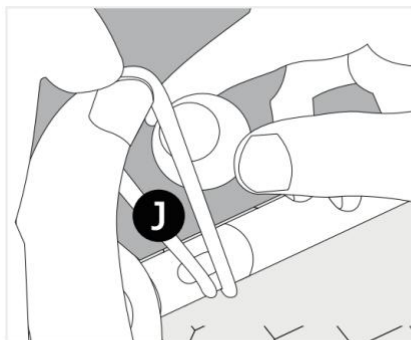
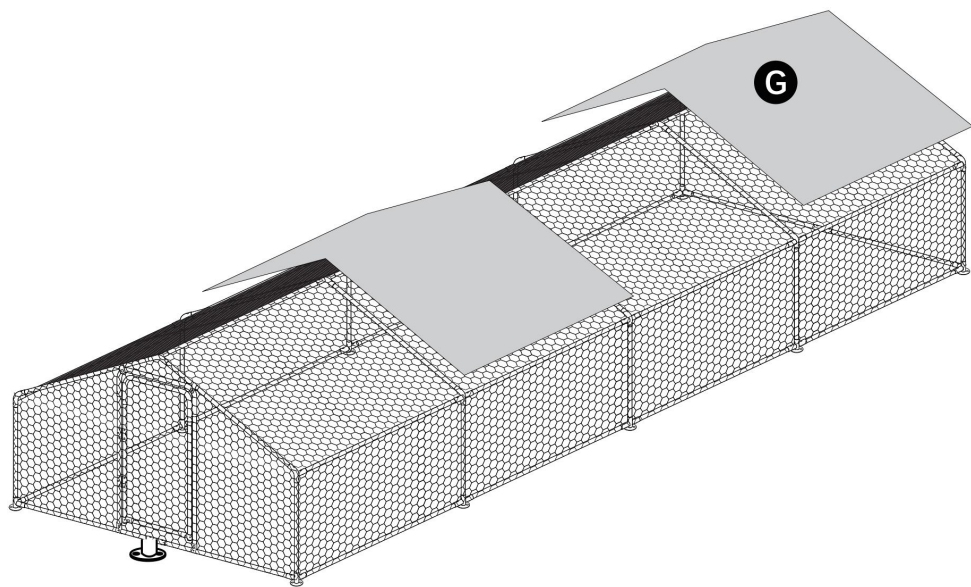


Back



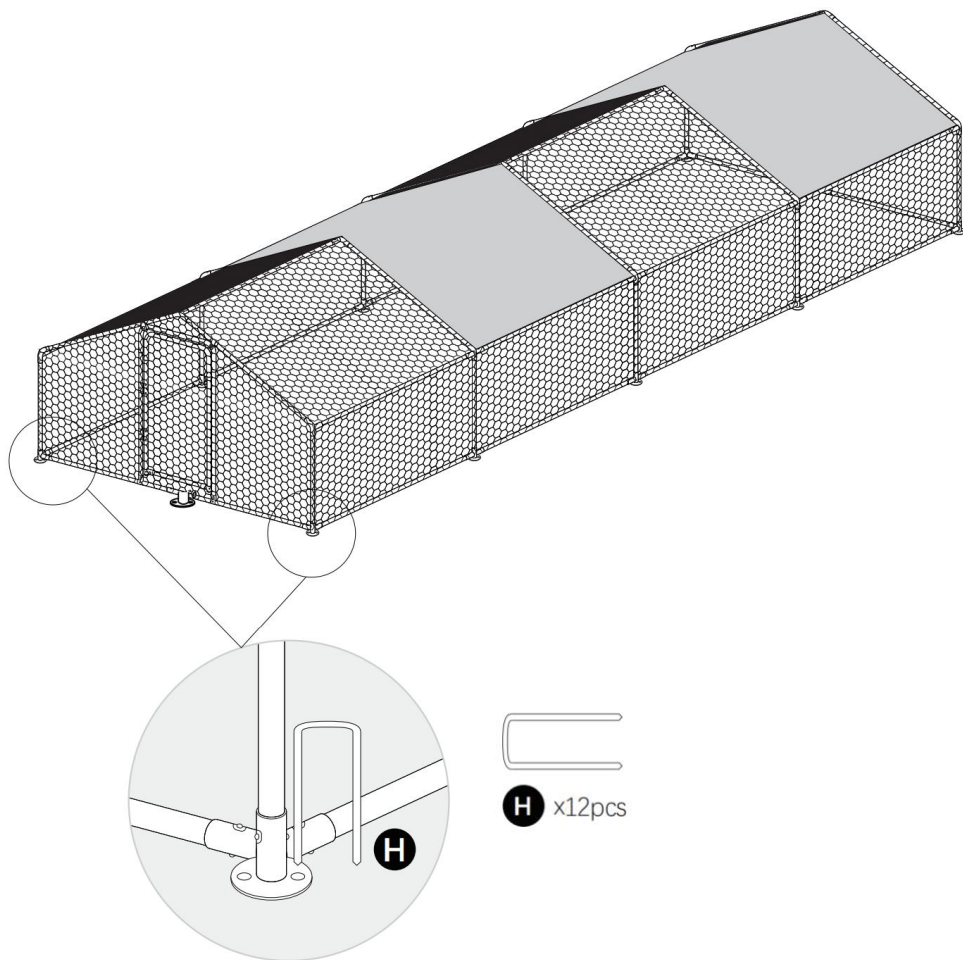


**Stap 10:** Installeer een regendichte doek.



Use a bungee cord to pass through the hole in the rainproof cloth to secure the rainproof cloth.

**Stap 11: Vast  
kippenhok.**



Adres: Baoshanqu Shuangchenglu 803long 11hao 1602A-1609shi Shanghai  
Geïmporteerd naar AUS: SIHAO PTY LTD , 1 ROKEVA STREETEASTWOOD  
NSW 2122 Australië

Geïmporteerd naar de VS: Sanven Technology Ltd. , Suite 250 , 9166  
Anaheim Place , Rancho Cucamonga , CA 91730



Pooledas Group Ltd  
Unit 5 Albert Edward House, The Pavilions  
Preston, United Kingdom



SHUNSHUN GmbH  
Römeräcker 9 Z2021, 76351  
Linkenheim-Hochstetten, Germany

**Gemaakt in China**



**VEVOR**<sup>®</sup>

**TOUGH TOOLS, HALF PRICE**

**Technisch Ondersteuning en e-garantiecertificaat**

**[www.vevor.com/support](http://www.vevor.com/support)**

# **VEVOR®**

## **TOUGH TOOLS, HALF PRICE**

Teknisk Support och e-garanticertifikat [www.vevor.com/support](http://www.vevor.com/support)

# **GÅ I HÖNSHUSET**

## **ANVÄNDARMANUAL**

We continue to be committed to provide you tools with competitive price.

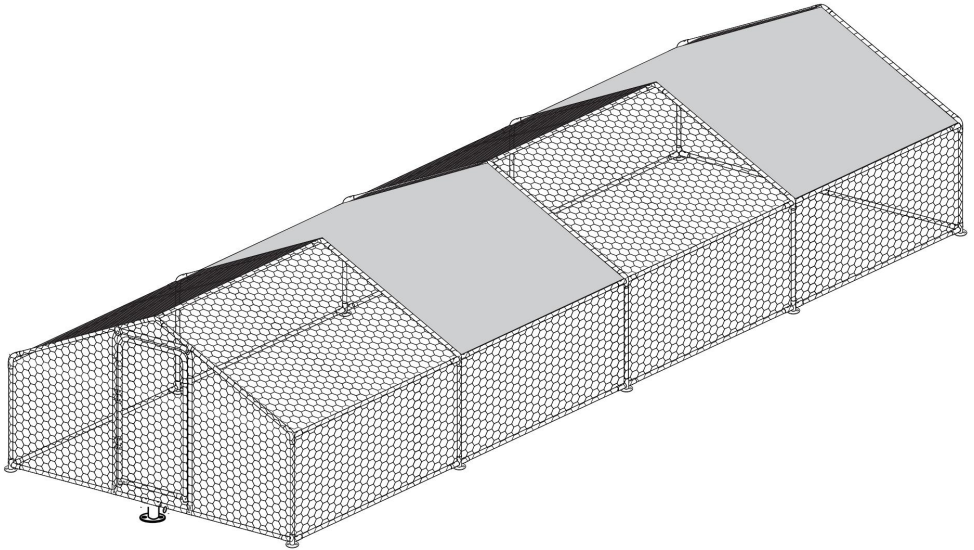
"Save Half", "Half Price" or any other similar expressions used by us only represents an estimate of savings you might benefit from buying certain tools with us compared to the major top brands and does not necessarily mean to cover all categories of tools offered by us. You are kindly reminded to verify carefully when you are placing an order with us if you are actually saving half in comparison with the top major brands.

# VEVOR®

TOUGH TOOLS, HALF PRICE

## WALK IN CHICKEN COOP

RA382



### NEED HELP? CONTACT US!

Have product questions? Need technical support? Please feel free to contact us:

**Technical Support and E-Warranty Certificate**  
[www.vevor.com/support](http://www.vevor.com/support)

This is the original instruction, please read all manual instructions carefully before operating. VEVOR reserves a clear interpretation of our user manual. The appearance of the product shall be subject to the product you received. Please forgive us that we won't inform you again if there are any technology or software updates on our product.

# Säkerhetsåtgärder

## **VARNING:**

**Läs dessa instruktioner** innan du använder denna produkt. Underlåtenhet att göra det kan resultera i allvarliga skador. de grundläggande försiktighetsåtgärderna bör alltid följas, inklusive följande:

1. Walk in hönshuset får inte användas eller förvaras i riskområden. Det är inte tillåtet att använda apparaten på farliga platser.

2. Gången i hönsgården måste kontrolleras för att säkerställa att den är i korrekt fungerande skick och fungerar säkert före användning. I annat fall får apparaten inte användas.

9. Rensa taket från snön regelbundet, eftersom för mycket snö kommer att kollapsa presenningen.

4. Operatören måste använda walk in hönshuset på rätt sätt. Han måste överväga de lokala förhållandena och måste vara uppmärksam på tredje part, särskilt barn, när han arbetar med promenaden i hönshuset.

11. Denna promenad i hönsgården är inte avsedd att användas av personer (inklusive barn) med nedsatt fysisk, sensorisk eller mental förmåga eller som saknar erfarenhet och/eller kunskap, såvida de inte övervakas av en person som ansvarar för deras säkerhet eller instrueras av dessa personer om användningen av enheten. Barn bör övervakas för att säkerställa att de inte leker med promenaden i hönshuset.

## **SPARA DESSA INSTRUKTIONER**



# Produktlista \_



**1** x4pcs 1410mm



**2** x20pcs 1870mm



**3** x10pcs 970mm



**4** x4pcs 1480mm



**5** x1pcs 510mm



**6** x1pcs 920mm



**7** x1pcs 820mm



**D1** x1pcs 1640mm +1570mm



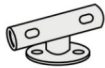
**D2** x1pcs 1570mm



**D3** x1pcs 1640mm



**A** x4pcs



**B** x2pcs



**C** x6pcs



**D** x2pcs



**E** x8pcs



**F** 60m x1pcs



**G** x2pcs



**H** x12pcs



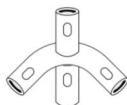
**I** x4bags



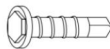
**J** x28pcs



**K** x6pcs



**L** x9pcs



**M2** x10pcs

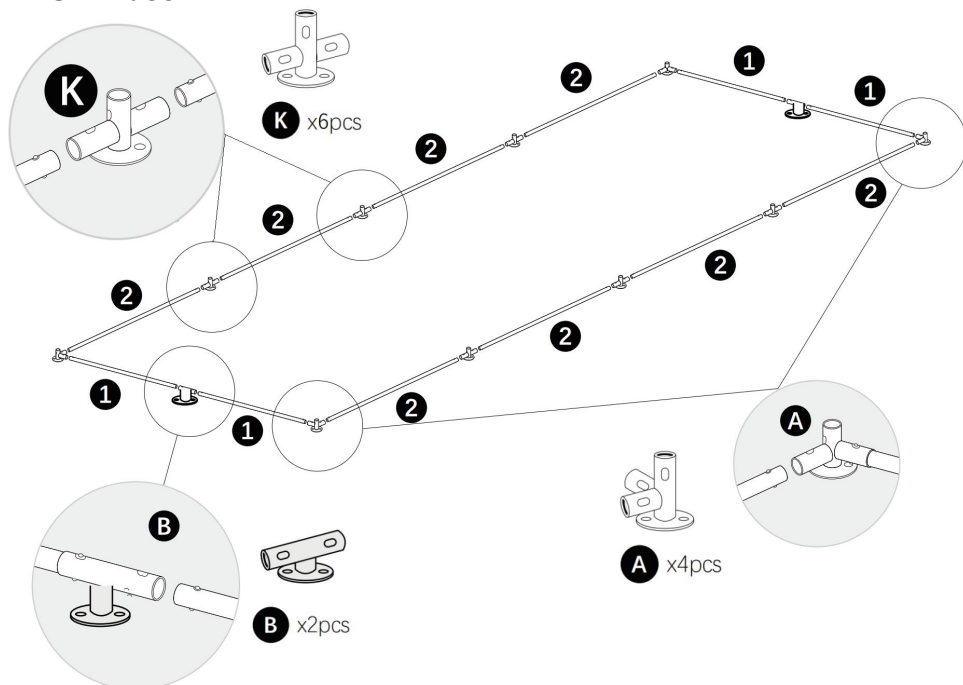


**M1** x7pcs (Spare parts x1pcs)

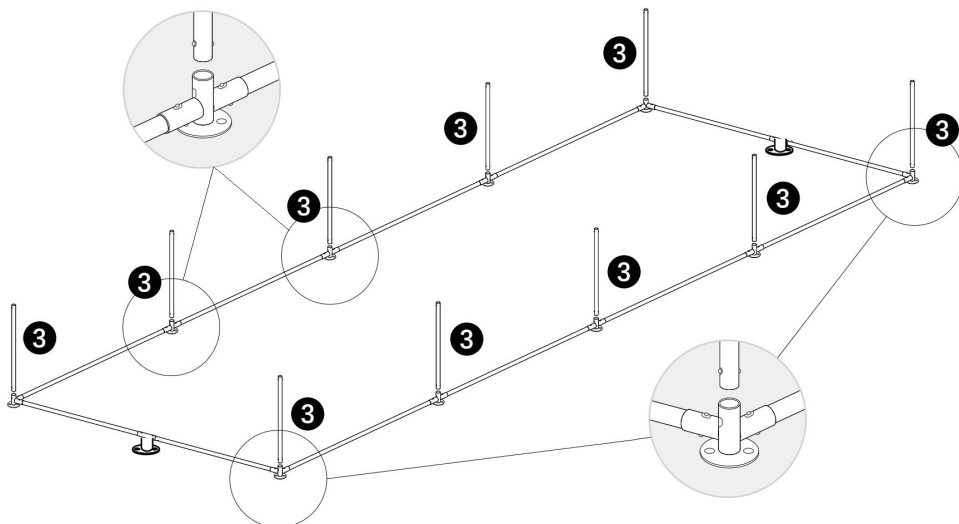
# Produktmontering \_



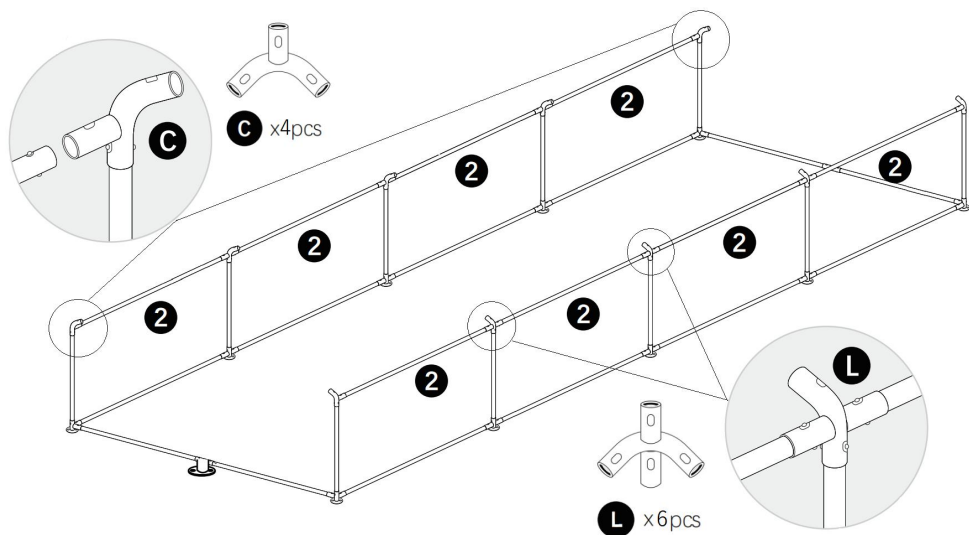
### Steg 1: Bygg bottenramen.



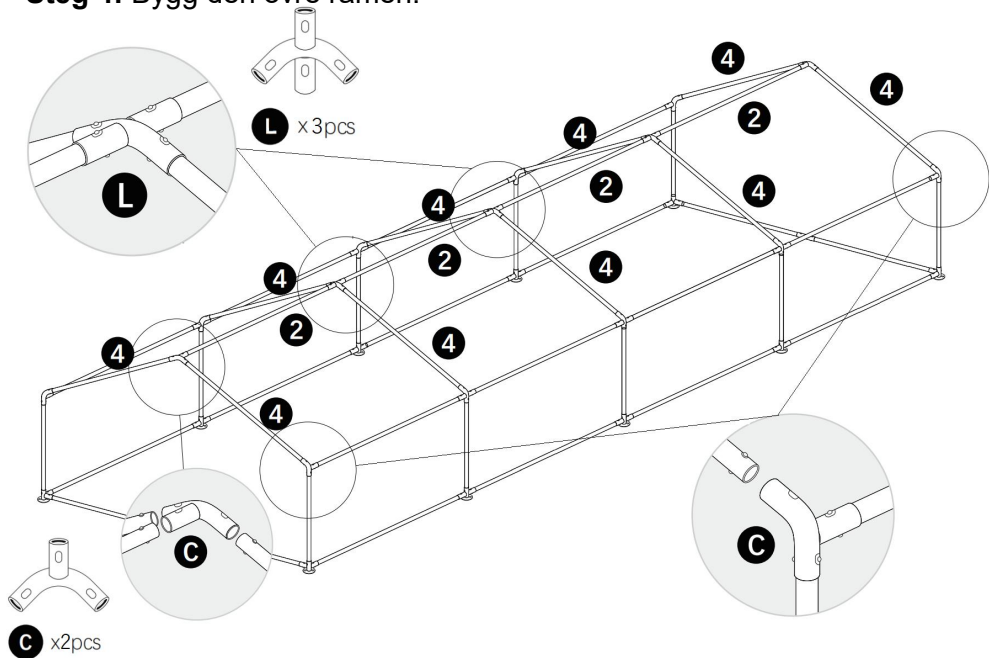
### Steg 2: Fäst röret nr 3 med bottenramen.



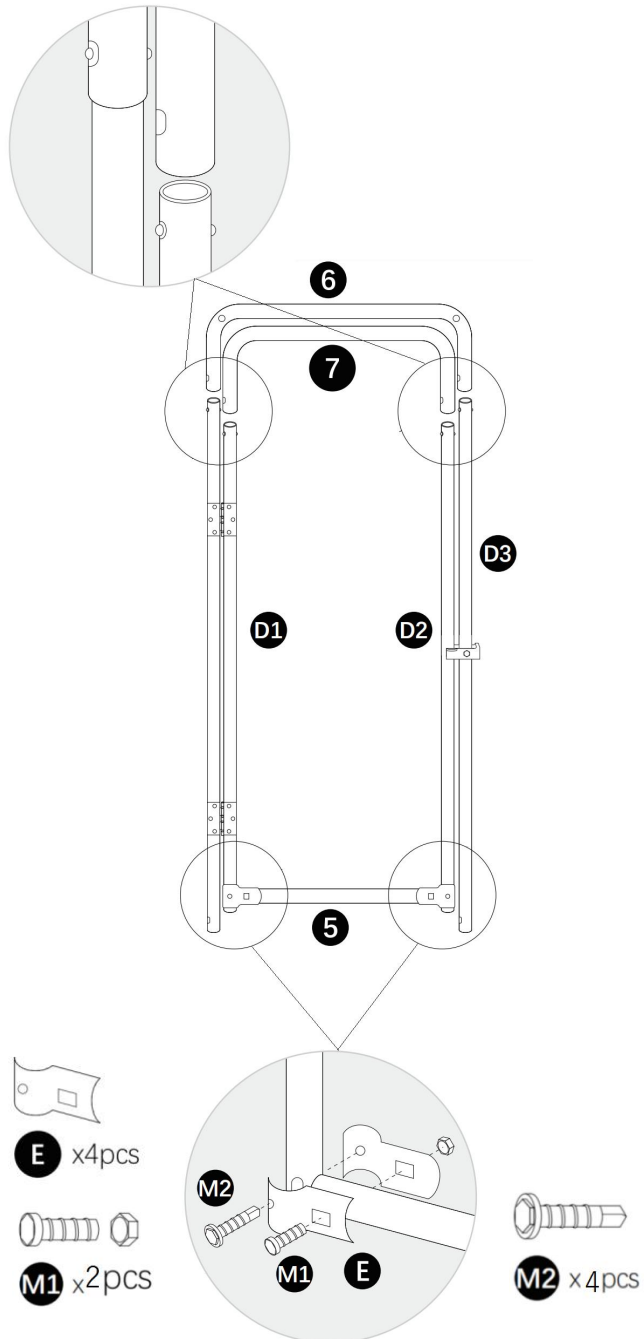
### Steg 3: Bygga mittramen.



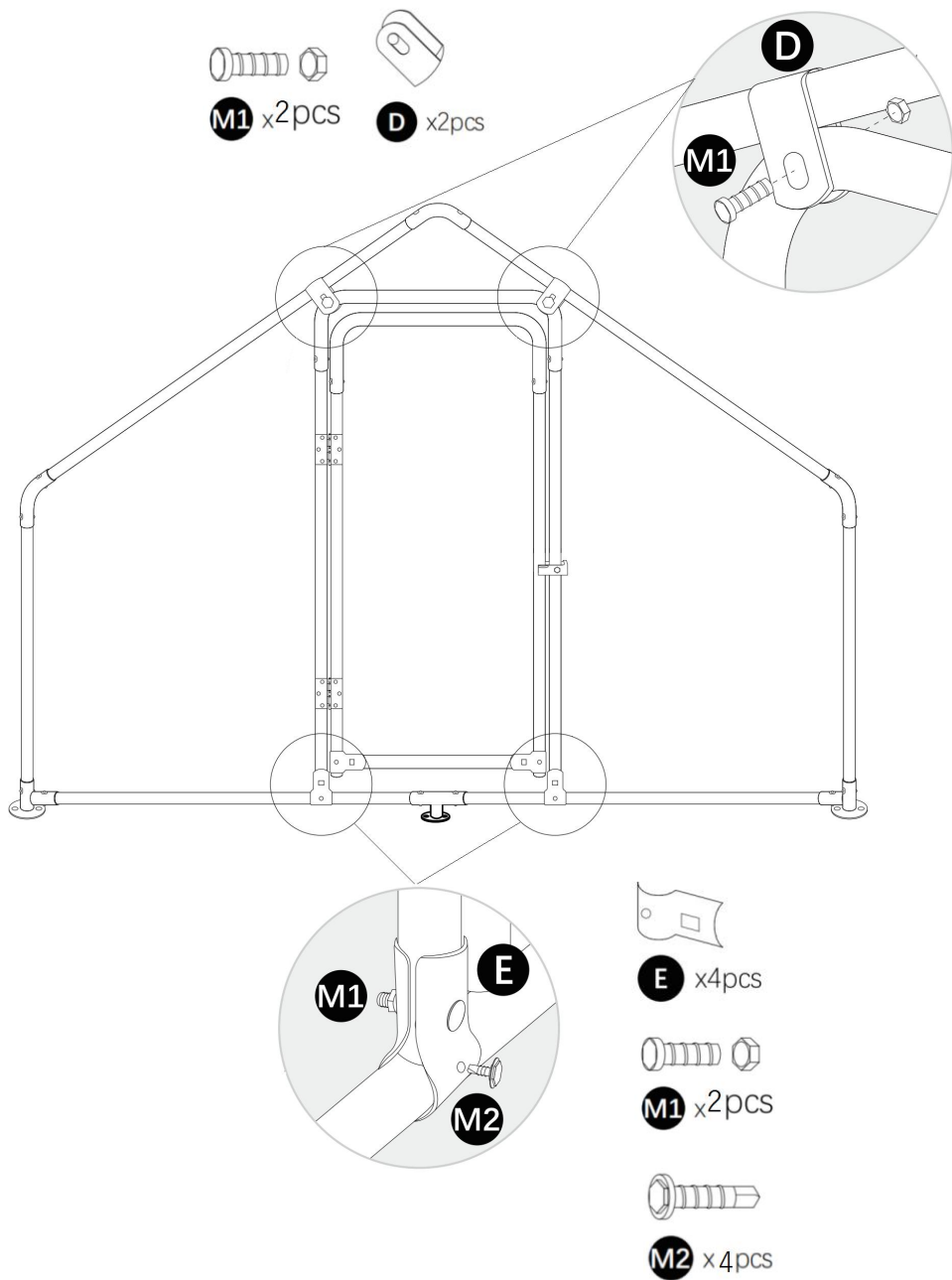
**Steg 4: Bygg den övre ramen.**



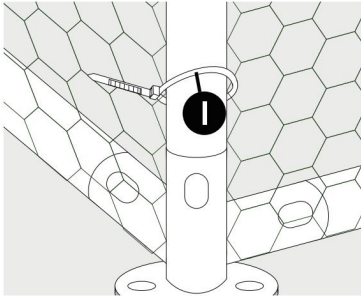
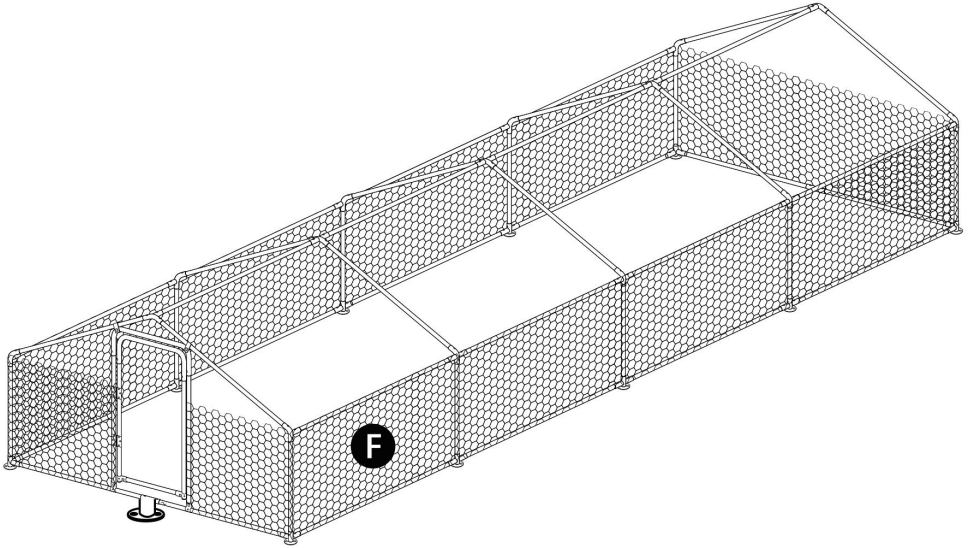
**Steg 5: Bygg dörren.**



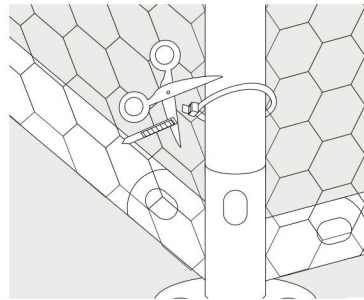
**Steg 6:** Kontakta dörren med karmen.



**Steg 7:** Förslut ramen ordentligt med ståltrådsnät.

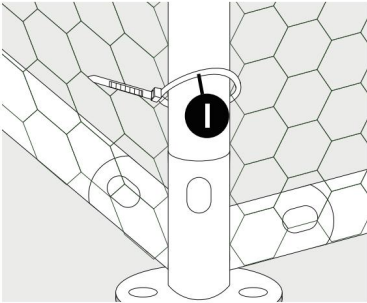
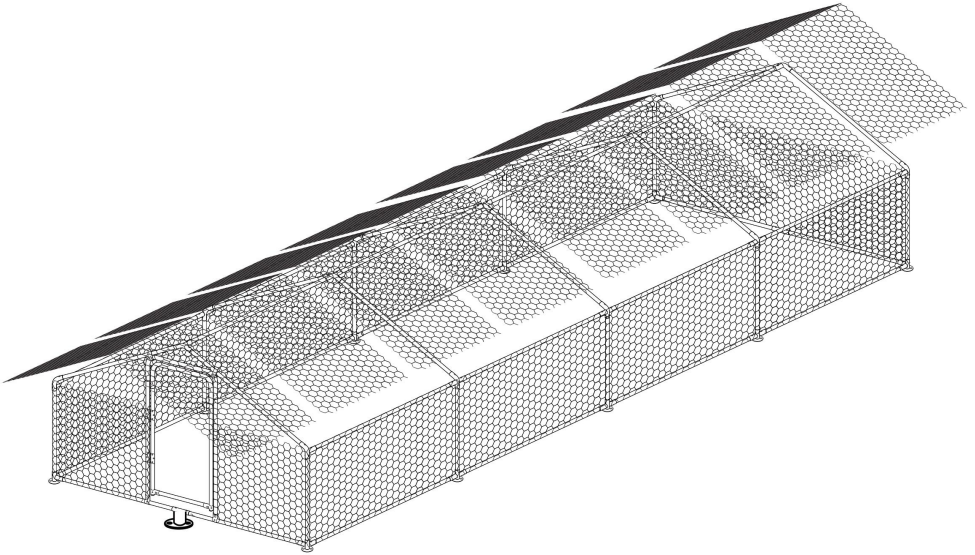


Use cable ties to fix the wire mesh to the iron pipe.

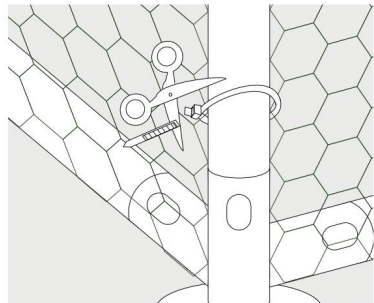


Cut off the excess of the cable tie.

**Steg 8:** Täta taket tätt med ståltrådsnät.



Use cable ties to fix the wire mesh to the iron pipe.

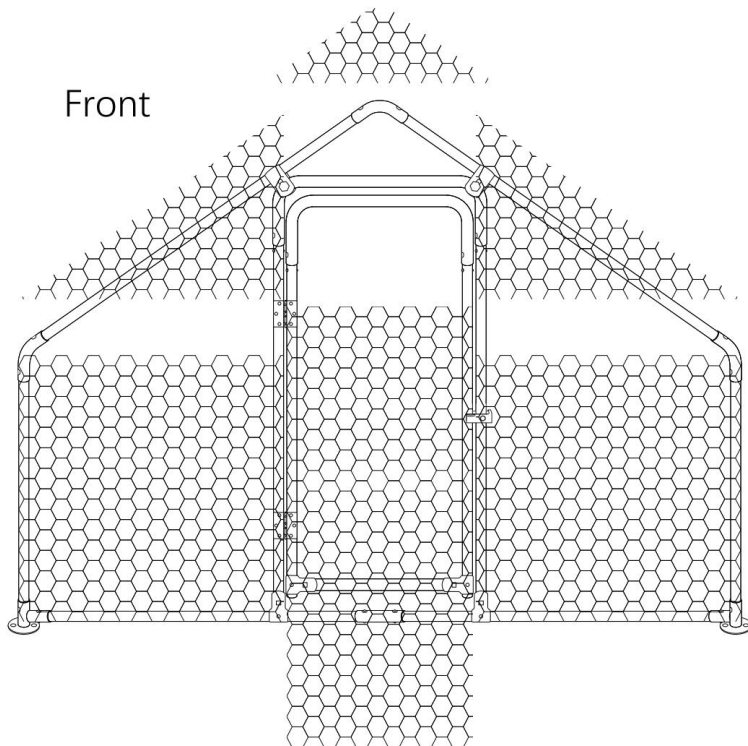


Cut off the excess of the cable tie.

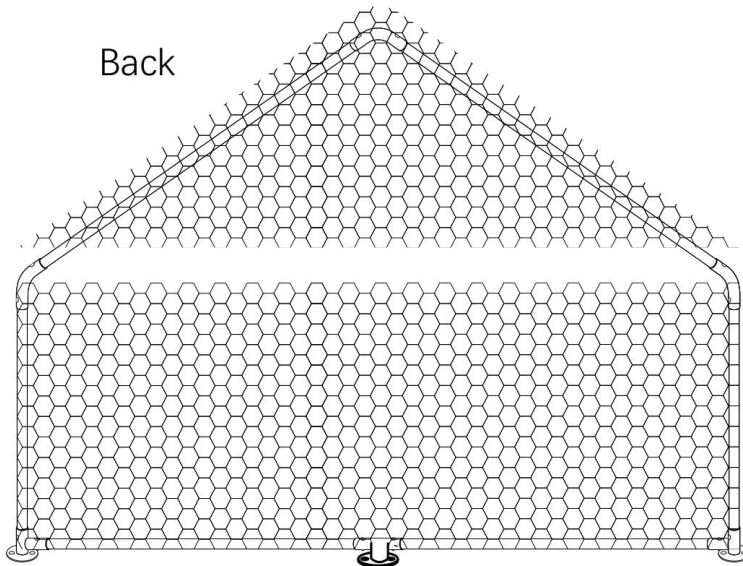
## Step 9



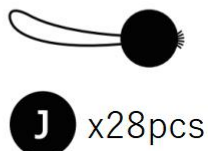
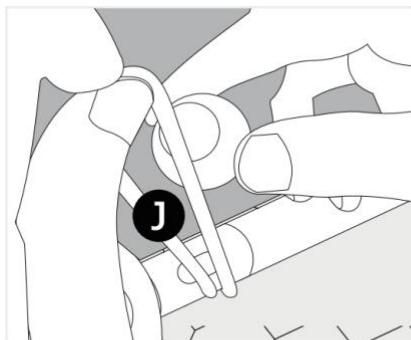
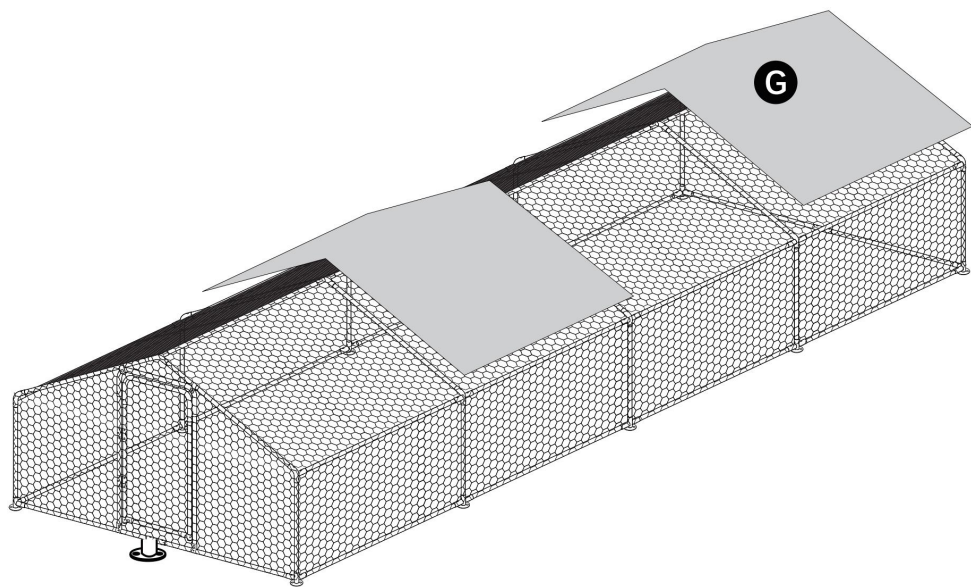
Front



Back

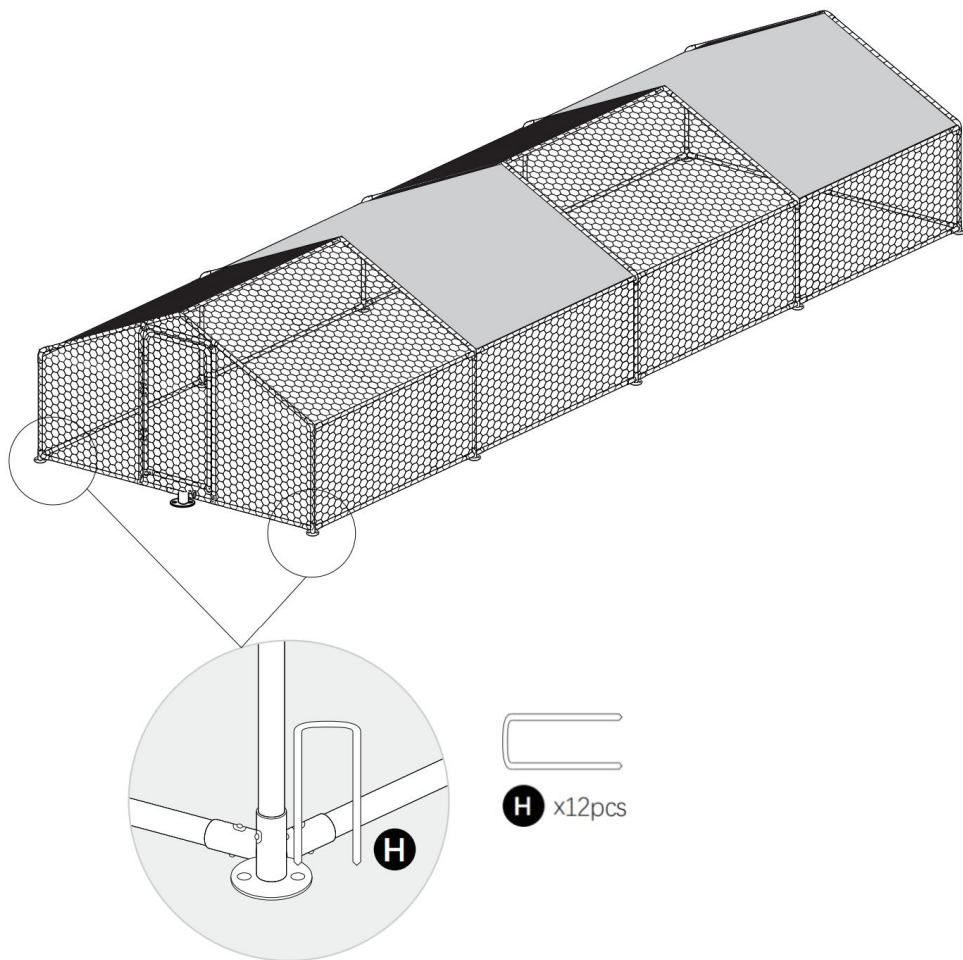


**Steg 10:** Installera en regntät trasa.



Use a bungee cord to pass through the hole in the rainproof cloth to secure the rainproof cloth.

**Steg 11:** Fast  
hönshus.



Shuangchenglu 803long 11hao 1602A-1609shi Shanghai

Importerad till AUS: SIHAO PTY LTD , 1 ROKEVA STREETEASTWOOD NSW  
2122 Australien

Importerad till USA : Sanven Technology Ltd.



Pooledas Group Ltd  
Unit 5 Albert Edward House, The Pavilions  
Preston, United Kingdom



SHUNSHUN GmbH  
Römeräcker 9 Z2021, 76351  
Linkenheim-Hochstetten, Germany

**Tillverkad i Kina**



**VEVOR**<sup>®</sup>

**TOUGH TOOLS, HALF PRICE**

**Teknisk Support och e-garanticertifikat**

**[www.vevor.com/support](http://www.vevor.com/support)**

# **VEVOR<sup>®</sup>**

## **TOUGH TOOLS, HALF PRICE**

Técnico Soporte y certificado de garantía electrónica [www.vevor.com/support](http://www.vevor.com/support)

## **CAMINAR EN GALLINERO**

### **MANUAL DE USUARIO**

We continue to be committed to provide you tools with competitive price.

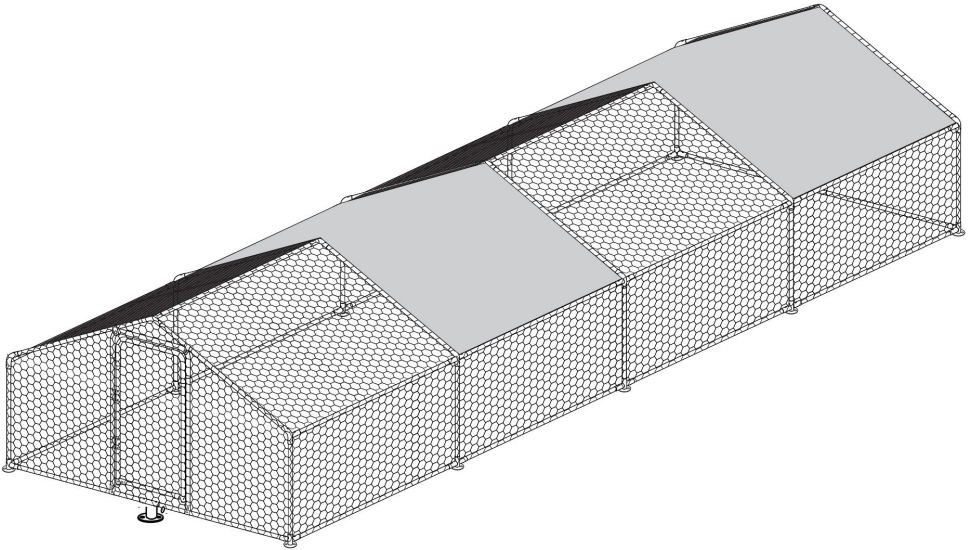
"Save Half", "Half Price" or any other similar expressions used by us only represents an estimate of savings you might benefit from buying certain tools with us compared to the major top brands and does not necessarily mean to cover all categories of tools offered by us. You are kindly reminded to verify carefully when you are placing an order with us if you are actually saving half in comparison with the top major brands.

# VEVOR®

TOUGH TOOLS, HALF PRICE

## WALK IN CHICKEN COOP

RA382



### NEED HELP? CONTACT US!

Have product questions? Need technical support? Please feel free to contact us:

**Technical Support and E-Warranty Certificate**  
[www.vevor.com/support](http://www.vevor.com/support)

This is the original instruction, please read all manual instructions carefully before operating. VEVOR reserves a clear interpretation of our user manual. The appearance of the product shall be subject to the product you received. Please forgive us that we won't inform you again if there are any technology or software updates on our product.



# Precauciones de seguridad

## ADVERTENCIA:

**Lea estas instrucciones** antes de usar este producto. De lo contrario, se pueden producir lesiones graves. Siempre se deben seguir las precauciones básicas , incluidas las siguientes:

1. El gallinero no se puede utilizar ni almacenar en zonas peligrosas. No está permitido utilizar el aparato en lugares peligrosos.
2. Se debe revisar el gallinero para caminar para garantizar que esté en buenas condiciones de funcionamiento y que funcione de manera segura antes de su uso. De lo contrario, no se debe utilizar el aparato.
10. Limpie la nieve del techo con regularidad, ya que demasiada nieve colapsará la lona.
4. El operador debe utilizar correctamente el gallinero. Debe tener en cuenta las condiciones locales y prestar atención a terceros, en particular a los niños, cuando trabaje con el gallinero.
12. Este gallinero no está diseñado para que lo utilicen personas (incluidos niños) con capacidades físicas, sensoriales o mentales reducidas o que carezcan de experiencia y/o conocimientos, a menos que estén supervisados por una persona responsable de su seguridad o reciban instrucciones de estas personas. personas sobre el uso del dispositivo. Los niños deben ser supervisados para asegurarse de que no jueguen con el gallinero.

## GUARDA ESTAS INSTRUCCIONES

# Lista de productos



**1** x4pcs 1410mm



**2** x20pcs 1870mm



**3** x10pcs 970mm



**4** x4pcs 1480mm



**5** x1pcs 510mm



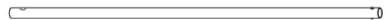
**6** x1pcs 920mm



**7** x1pcs 820mm



**D1** x1pcs 1640mm +1570mm



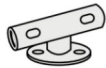
**D2** x1pcs 1570mm



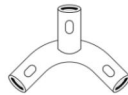
**D3** x1pcs 1640mm



**A** x4pcs



**B** x2pcs



**C** x6pcs



**D** x2pcs



**E** x8pcs



**F** 60m x1pcs



**G** x2pcs



**H** x12pcs



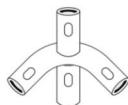
**I** x4bags



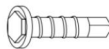
**J** x28pcs



**K** x6pcs



**L** x9pcs



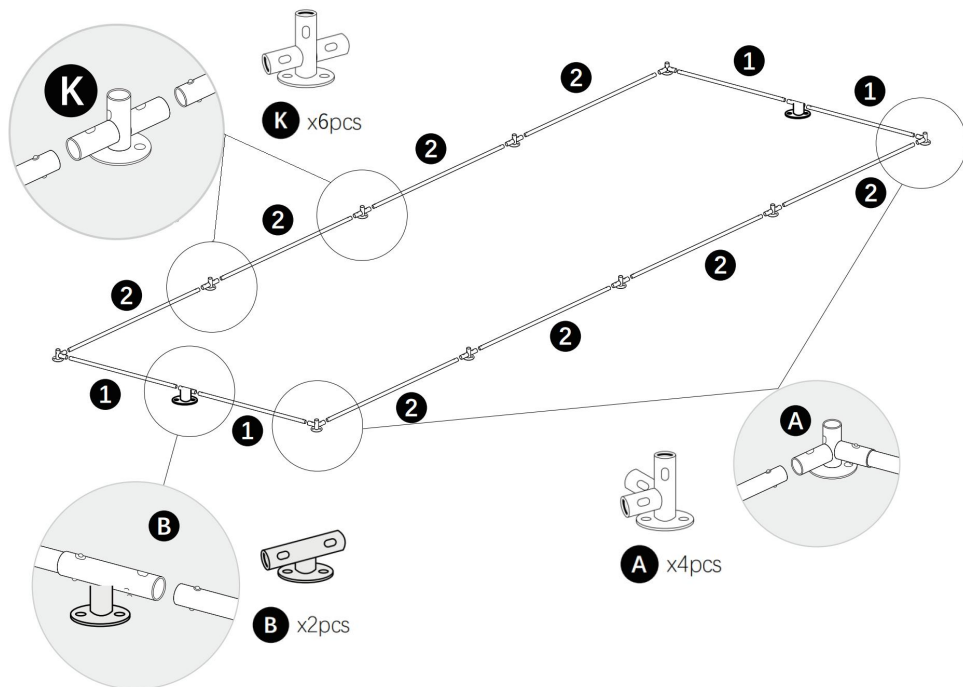
**M2** x10pcs



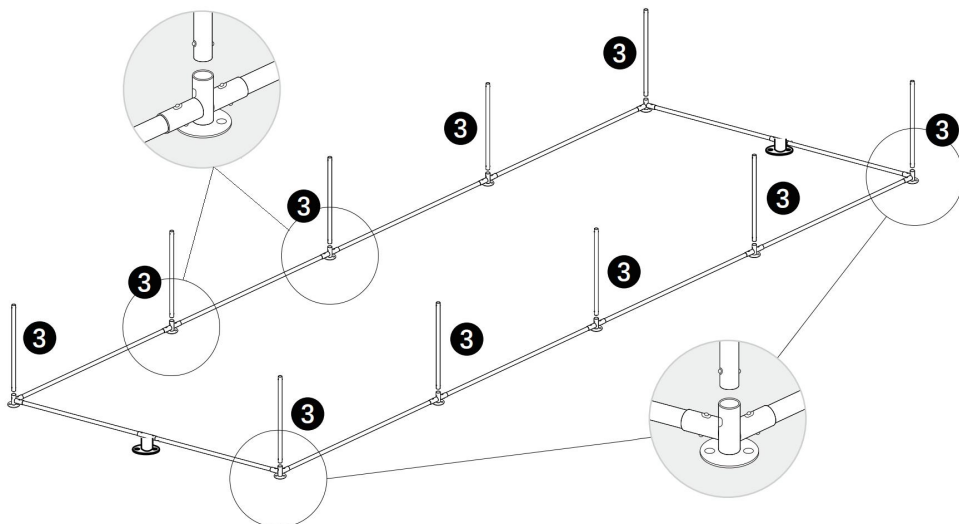
**M1** x7pcs (Spare parts x1pcs)

## Montaje del producto

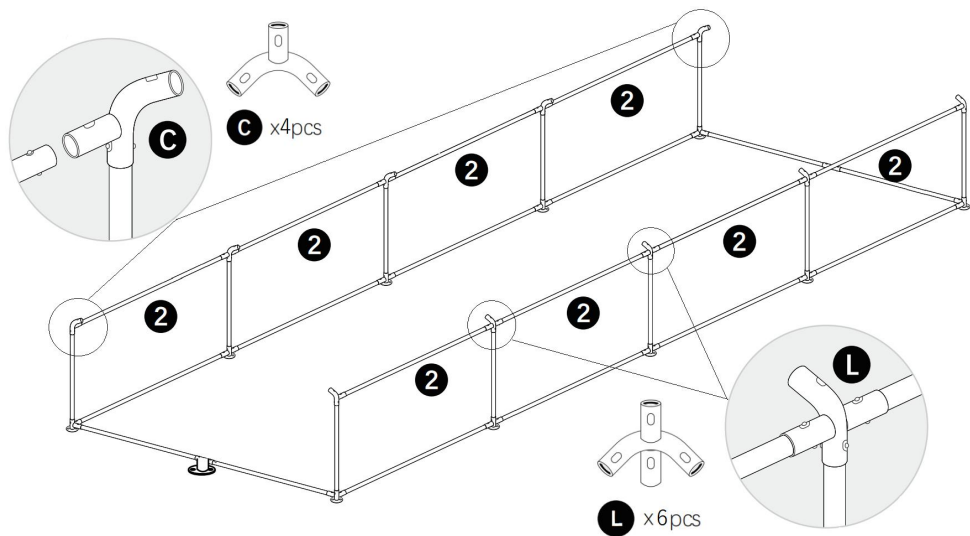
### Paso 1: Construir el marco inferior.



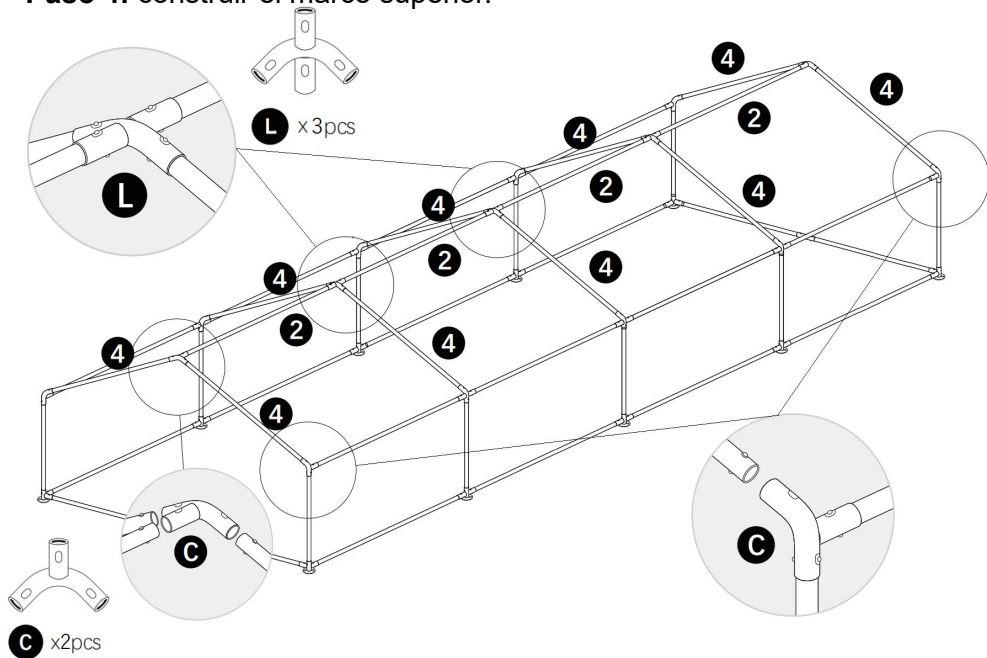
### Paso 2: Conecte el tubo N°3 con el marco inferior.



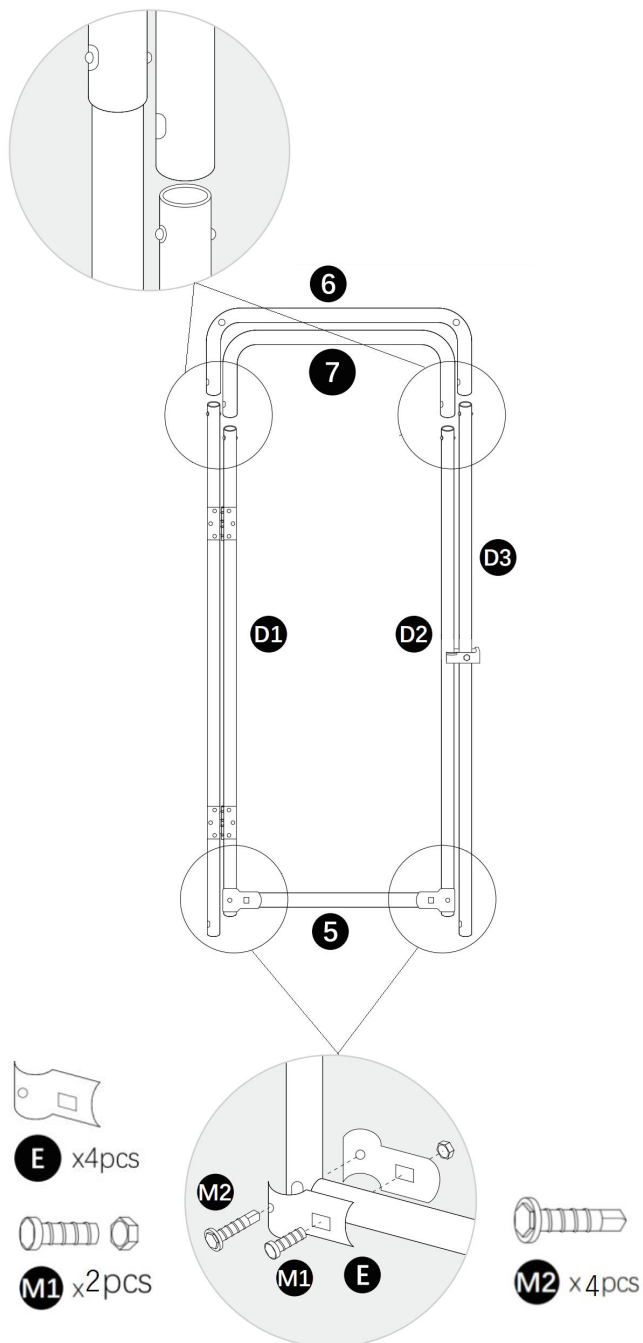
### Paso 3: Construyendo el marco medio.



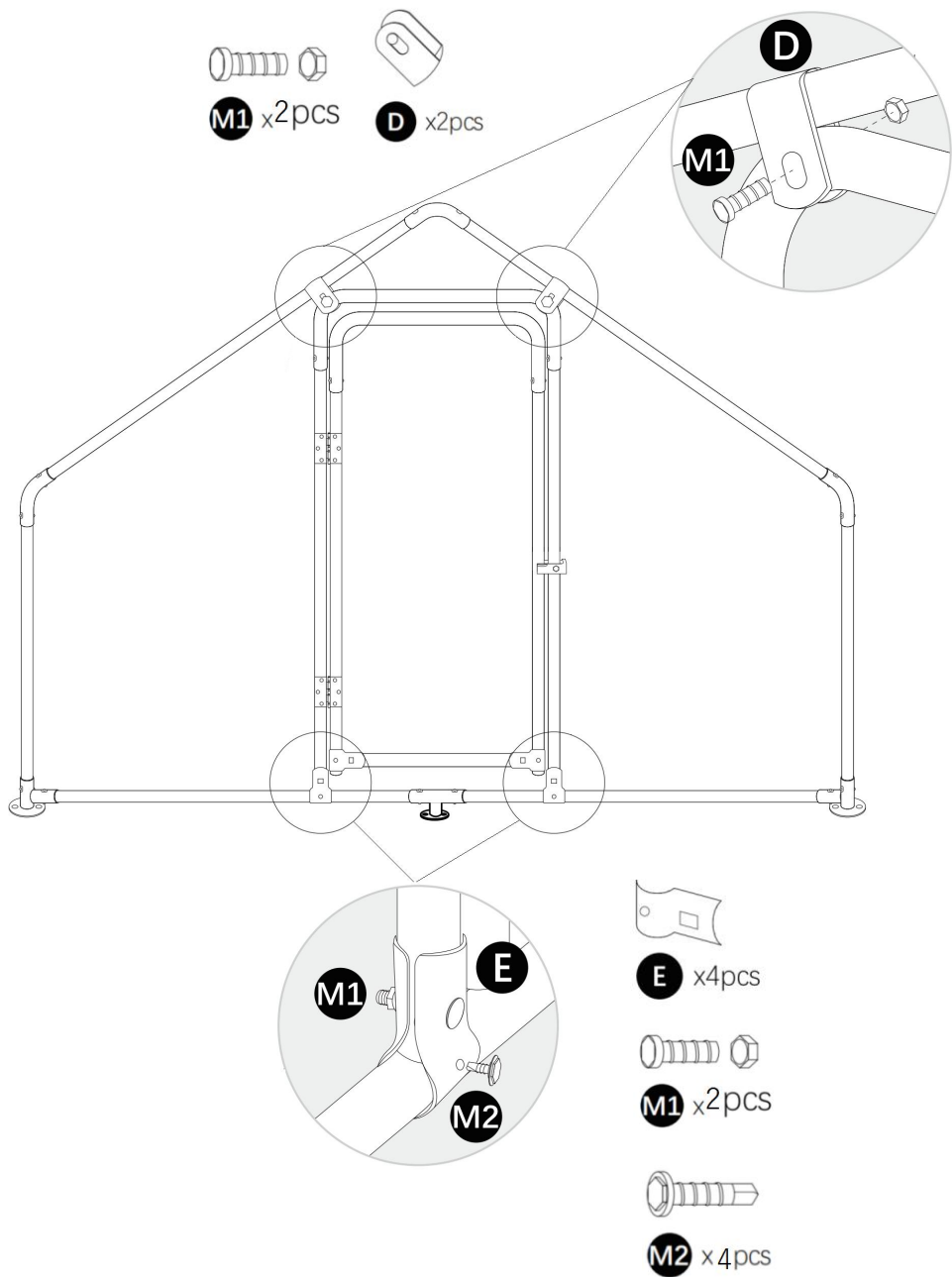
**Paso 4:** construir el marco superior.



**Paso 5:** Construyendo la puerta.

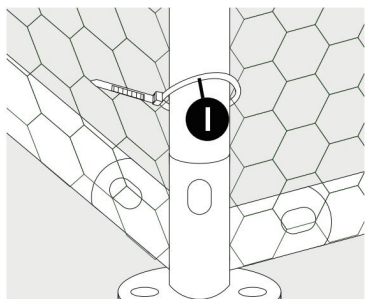
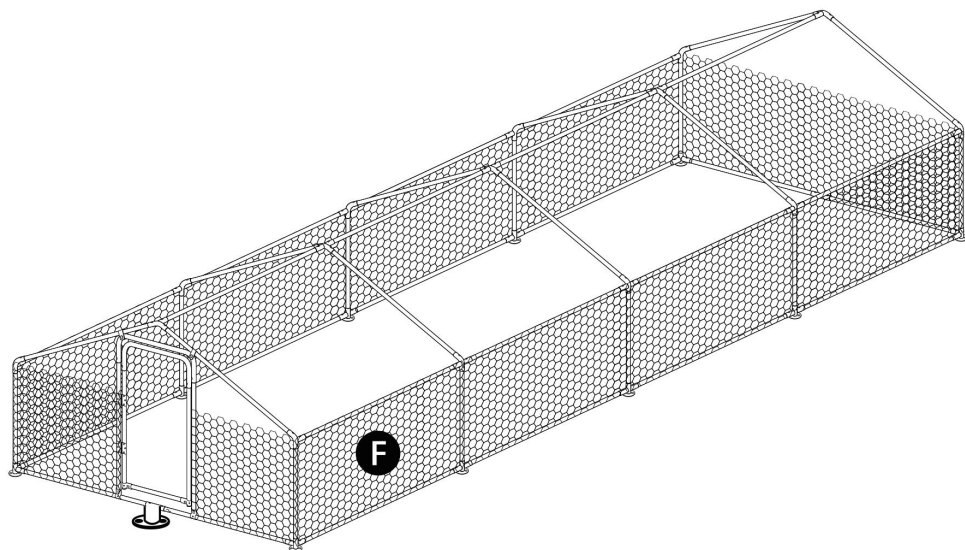


**Paso 6:** contacta la puerta con el marco.

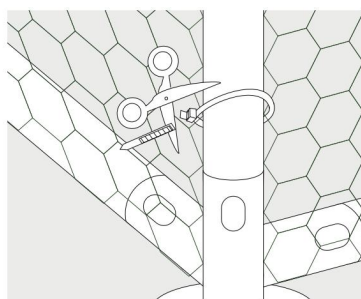


**Paso 7:** selle herméticamente el marco con una malla de alambre de

acero.



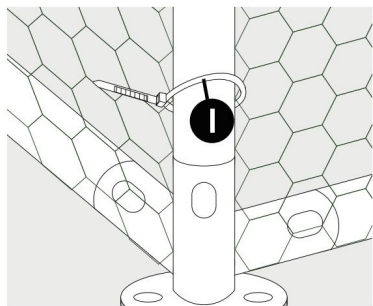
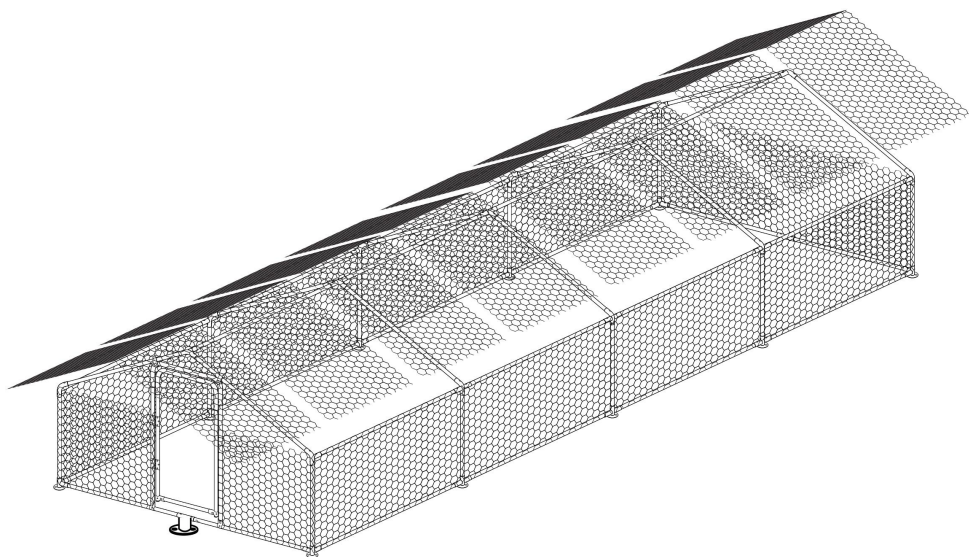
Use cable ties to fix the wire mesh to the iron pipe.



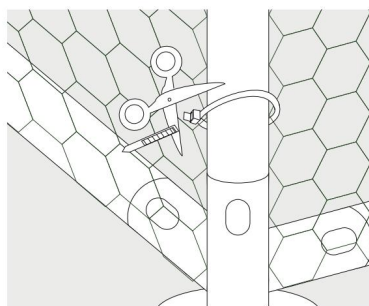
Cut off the excess of the cable tie.



**Paso 8:** selle herméticamente el techo con una malla de alambre de acero.



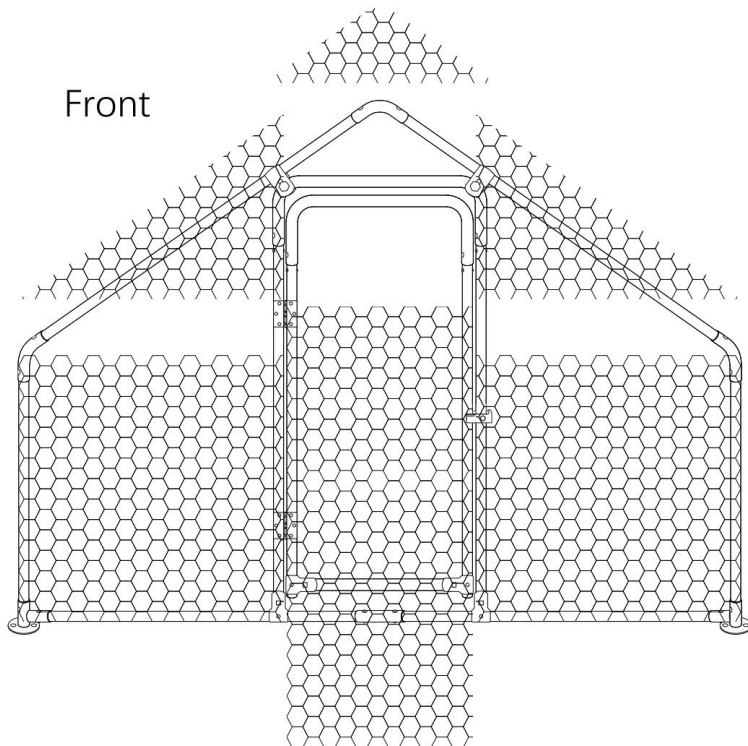
Use cable ties to fix the wire mesh to the iron pipe.



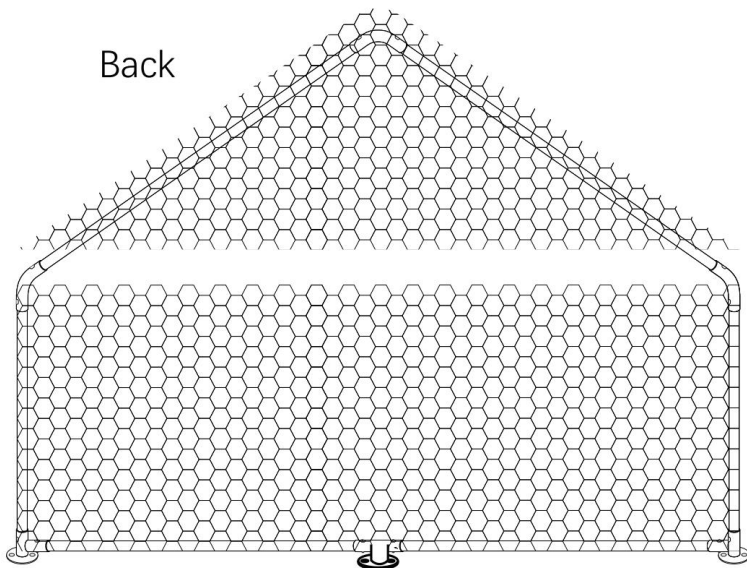
Cut off the excess of the cable tie.

## Paso 9

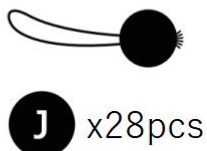
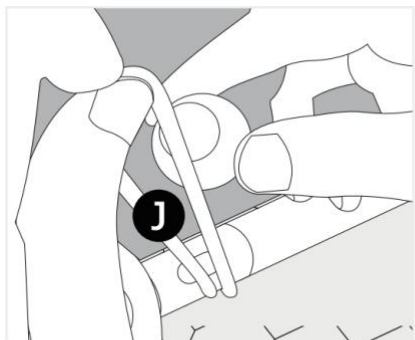
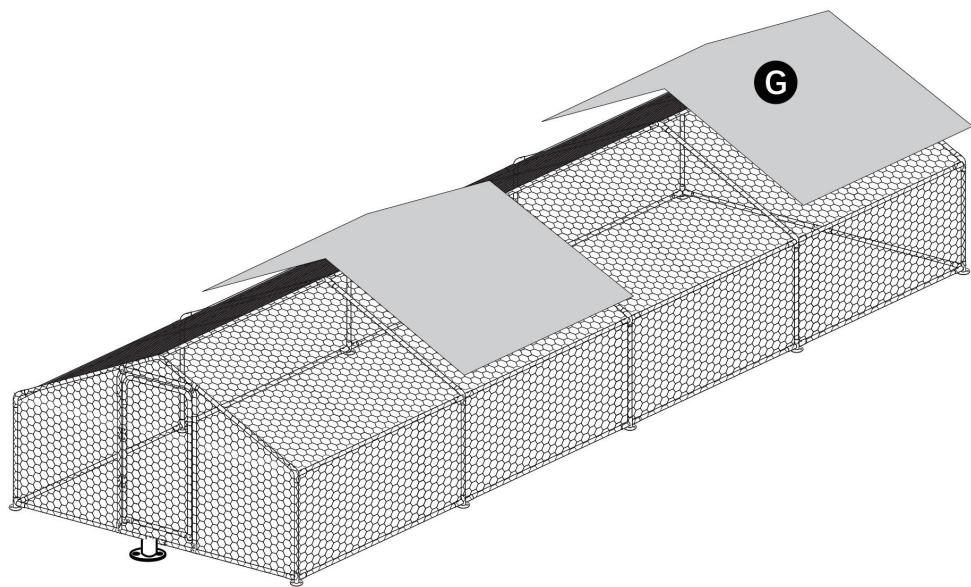
Front



Back

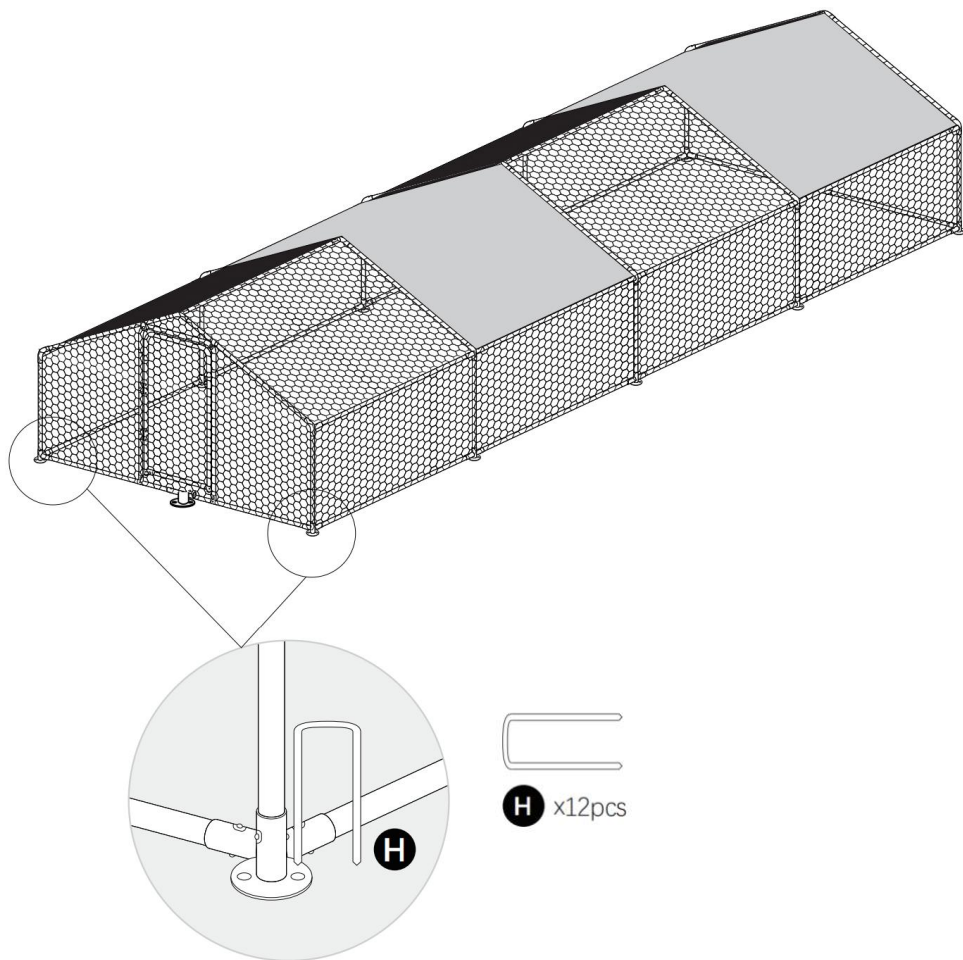


**Paso 10:** instale un paño impermeable.



Use a bungee cord to pass through the hole in the rainproof cloth to secure the rainproof cloth.

**Paso 11:** Gallinero  
arreglado.



Dirección: Baoshanqu Shuangchenglu 803long 11hao 1602A-1609shi Shanghai  
Importado a AUS: SIHAO PTY LTD , 1 ROKEVA STREETEASTWOOD NSW 2122  
Australia

Importado a EE. UU.: Sanven Technology Ltd. , Suite 250 , 9166 Anaheim  
Place , Rancho Cucamonga , CA 91730



Pooledas Group Ltd  
Unit 5 Albert Edward House, The Pavilions  
Preston, United Kingdom



SHUNSHUN GmbH  
Römeräcker 9 Z2021, 76351  
Linkenheim-Hochstetten, Germany

**Hecho en china**



**VEVOR**<sup>®</sup>

**TOUGH TOOLS, HALF PRICE**

**Técnico Certificado de soporte y garantía electrónica**

**[www.vevor.com/support](http://www.vevor.com/support)**