

VEVOR[®]

TOUGH TOOLS, HALF PRICE

Technical Support and E-Warranty Certificate www.vevor.com/support

PORTABLE TIRE INFLATORS

We continue to be committed to provide you tools with competitive price.

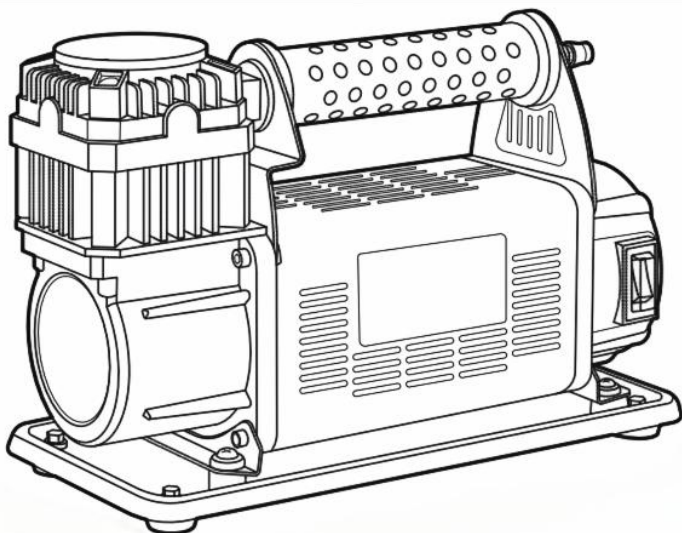
"Save Half", "Half Price" or any other similar expressions used by us only represents an estimate of savings you might benefit from buying certain tools with us compared to the major top brands and does not necessarily mean to cover all categories of tools offered by us. You are kindly reminded to verify carefully when you are placing an order with us if you are actually saving half in comparison with the top major brand.

VEVOR®

TOUGH TOOLS, HALF PRICE

PORTABLE TIRE
INFLATORS

Model: YD-127-B YD-127



NEED HELP? CONTACT US!

Have product questions? Need technical support? Please feel free to contact us:

Technical Support and E-Warranty Certificate
www.vevor.com/support

This is the original instruction, please read all manual instructions carefully before operating. VEVOR reserves a clear interpretation of our user manual. The appearance of the product shall be subject to the product you received. Please forgive us that we won't inform you again if there are any technology or software updates on our product.



Warning-To reduce the risk of injury, user must read instructions manual carefully.



CORRECT DISPOSAL

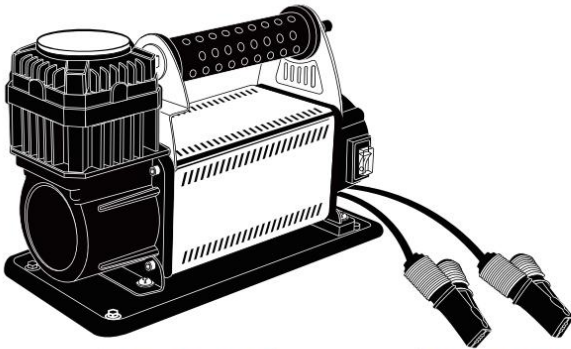
This product is subject to the European Directive 2012/19/EC provision. The symbol showing a wheelie bin crossed through indicates that the product requires separate refuse collection in the European Union. This applies to the product and all accessories marked with this symbol. Products marked as such may not be discarded with normal domestic waste, but must be taken to a collection point for recycling electrical and electronic devices

Thank you for buying our products. After opening the product packaging, check whether the product is in good condition, whether the accessories are complete, and whether the power can be normally powered on after the boot.

Speciffcation Parameters

Model	YD-127	YD-127-B
Rated Voltage	DC12-13.8V	
Flow(CFM)	7.06	
Inflation current	45A	
Barometer	150PSI mechanical meter	150PSI digital display meter

PACKAGE INCLUDES

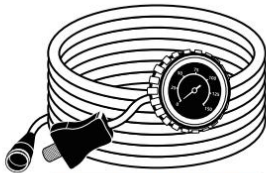


AIR COMPRESSOR X 1

BATTERY CLAMP X 2



HEAVY-DUTY STORAGE BAG X 1



RUBBER AIR HOSE SET X 1



NOZZLE ADAPTOR X 3



INFLATE ADAPTOR X 1

There are two specifications for pressure gauges: a mechanical dial and an electronic digital display

CAUTION

TO REDUCE RISK OF ELECTRICAL SHOCK OR ELECTROCUTION

1. Do not disassemble. Do not attempt to repair or make any modifications. Refer to qualified service agency for service & repairment.
2. Do not use this product in an area where it can fall or be pulled into water or other liquids.
3. Do not try to retrieve this product if it has fallen into liquid.
4. Use this Air Compressor with 12V DC system ONLY (12V Vehicle Battery must be used with engine on)
5. This product should never be left unattended during use.

IMPORTANT SAFETY INSTRUCTIONS

When using electrical appliances, especially when children are present, basic safety precautions should always be followed, including the following:

READ ALL INSTRUCTIONS BEFORE USING

WARNING-To reduce the risk of burns, electrocution, fire, or injury to persons:

1. An appliance should never be left unattended when plugged in.
2. Close supervision is necessary when this appliance is used by, on, or near children or individuals with certain disabilities.
3. Use this appliance only for its intended use as described in this manual. Do not use attachments not recommended by the manufacturer.
4. Keep the cord away from heated surfaces. Do not wrap the cord around the appliance.
5. Never block the air openings of the appliance or place it on a soft surface, such as a bed or couch, where the air openings may be blocked. Keep the air openings free of lint, hair, and the like.



WARNING:

1. Never allow children to operate Air Compressor. Please keep close supervision of the Air Compressor when children are around.
2. Air Compressor will become very hot during use and will remain hot for some time after use. Do not touch any part of Air Compressor with bare hands (not include ON/OFF switch)
3. Do not use this product near flames or where explosive or aerosol products are being used. Do not operate this product where oxygen is thin.
4. Do not pump anything that is not inflatable objects.
5. Never use this product while tired or drowsy.
6. Never point any air nozzle or spray air sprayer at any part of the body.
7. Wear safety glasses or goggles when operating Air Compressor.
8. Use only in ventilated areas.

WARNING:

- This device is designed for use by professionals properly trained in its use.
- If you have any pre-existing medical conditions, consult a doctor before use.
- Use this product for its intended use only.
- This product should never be operated by or in close proximity to children.
- An appliance should never be left unattended when plugged in.
- Do not tilt device while in operation.
- Do not touch any part of the device that is hot.
- Never attempt to disassemble or repair the product yourself.
- If the supply cord is damaged, it must be replaced by the manufacturer, its service agent or similarly qualified persons in order to avoid a hazard.

SAVE THESE INSTRUCTIONS

FCC Information

CAUTION: Changes or modifications not expressly approved by the party responsible for compliance could void the user's authority to operate the equipment!

This device complies with Part 15 of the FCC Rules. Operation is subject to the following two conditions:

- 1) This product may cause harmful interference.
- 2) This product must accept any interference received, including interference that may cause undesired operation.

WARNING: Changes or modifications to this product not expressly approved by the party responsible for compliance could void the user's authority to operate the product.

Note: This product has been tested and found to comply with the limits for a Class B digital device pursuant to Part 15 of the FCC Rules, These limits are designed to provide reasonable protection against harmful interference in a residential installation.

This product generates, uses and can radiate radio frequency energy, and if not installed and used in accordance with the instructions, may cause harmful interference to radio communications. However, there is no guarantee that interference will not occur in a particular installation. If this product does cause harmful interference to radio or television reception, which can be determined by

turning the product off and on, the user is encouraged to try to correct the interference by one or more of the following measures.

- Reorient or relocate the receiving antenna.
- Increase the distance between the product and receiver.
- Connect the product to an outlet on a circuit different from that to which the receiver is connected.
- Consult the dealer or an experienced radio/TV technician for assistance.

INSTRUCTION

PLEASE READ AND FOLLOW THE OPERATING INSTRUCTIONS CAREFULLY TO ASSURE

THAT YOU WILL ENJOY THE CONVENIENT USE OF AIR COMPRESSOR.

1. Always operate Air Compressor no exceed the maximum pressure rating. The maximum pressure rating of this Air Compressor is 150 PSI.
2. This model is equipped with Auto Overheat Protection. This is designed to protect the Air Compressor from overheat causing permanent damage to Air Compressor. The thermal overload protector will self-activate when the internal temperature rises to certain degree. To restart the Air Compressor, turn the ON/OFF switch to OFF, allowing the Air Compressor to cool about 15 minutes. You can then resume usage of the Air Compressor by turning it on.
3. Please note that you may experience a slight delay (around 0.5s) of the Air Compressor motor starting while the Air Compressor is pressurised. This is not a malfunction.
4. It is strongly recommended that you keep the vehicle's engine running while using the Air Compressor, so the performance of the Air Compressor can be enhanced. also to prevent your vehicle's battery from running out.

TIRE INFLATION

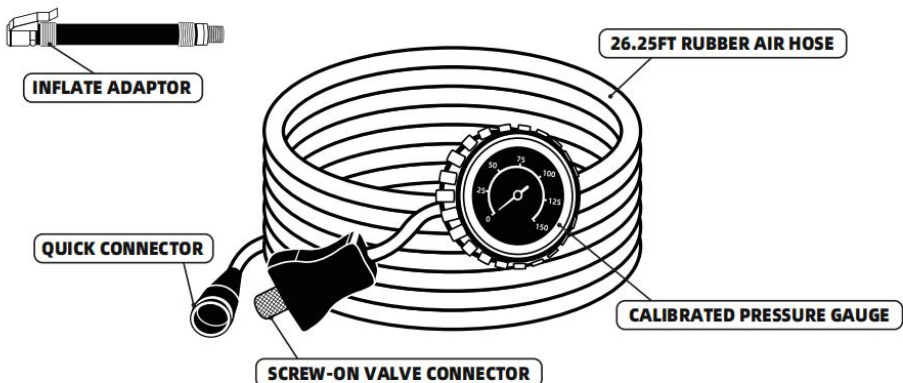
CAUTION:

- Before connecting the Air Compressor power cord, please make sure that the ON/OFF switch of your Air Compressor is in the OFF state.
- The Air Compressor is moisture and dust resistant, and it is fixed with a flat tray so that you can place it on the soft sand while it is running.
- Use extra caution when inflating small tires, bicycles and inflatable boats or toys. Pay close attention to the pressure gauge and be prepared to stop the Air Compressor quickly when recommended inflation pressure is reached.

IMPORTANCE:

- Make sure that the Air Compressor sits upright during operation.
- Avoid tugging the Air Compressor.
- Always move the Air Compressor to the same side of vehicle tire as it is being pumped up.
- Always make sure the Air Compressor power cord is fully uncoiled and extended when use.

THE GAUGE AND CONNECTORS



OPERATION INSTRUCTION:

The Calibrated Pressure Gauge comes with an Rubber Air Hose and a Quick Connector. Simply attach this Rubber Air Hose to the Air Compressor, now you are ready to inflate tires.

The operation mode of mechanical pressure gauge is the same as that of electronic pressure gauge.

PLEASE FAMILIARISE THE FOLLOWING DIFFERENT FUNCTIONS OF THIS AIR TOOL

A: TIRE INFLATION

1. Attach both Quick Connectors on the Rubber Air Hose and the Air Compressor.
2. Choose whether you use Screw-on Valve Connector(better accuracy due to its excellent airtightness) or Inflate Adaptor(more convenient for it can be locked up by merely pushing a jount)
 - a. If you choose the Screw-on Valve Connector, it is already attached to the 26.25FT Rubber Air Hose and ready to operate.
 - b. If you choose the Inflate Adaptor, simply screw the end of it into the Screw-on Connector, and ready to operate.
3. Turn the Air Compressor switch on to start inflation. Please turn off the Air Compressor when pressure is reached.

B: CALIBRATED PRESSURE GAUGE

1. The 2-inch Calibrated Pressure Gauge provides accurate tire pressure monitoring when inflating. This brings vast convenience for some air hoses have no gauge and valve connector fixed together.
2. Please note that during inflation, Calibrated Pressure Gauge cannot provide instant pressure readings due to air velocity. You can momentarily halt the inflation to obtain the pressure readings.

SAFETY PRECAUTIONS

1. Always inflate tires to manufacturer's recommended tire pressure. Exercise extreme caution when driving with deflated tires.
2. Never exceed 30km/h when driving with partially inflated tires.
3. Never make sharp turns while driving with tires on low pressure.
4. Re-inflate tires before highway travels.
5. Use heat resistant minimum 200 PSI rated working pressure extension hose. Do not use aftermarket hoses with less than 200 Psi working pressure. Some aftermarket hoses may not be suitable for use due to heat and pressure generated by this type of Air Compressor.

MAINTENANCE AND REPAIRS

1. The Air Compressor is equipped with a permanently lubricated, maintenance free motor. Never try to lubricate the Air compressor.
2. Air Compressor is also equipped with one washable filters under the black cover on the head. To clean: Remove the cover on the head and remove the filter (a foams and a felt). Filters should be washed with warm fresh water (no chemicals). Drip dry in shade before replacing back into Air Compressor.
3. Regularly clean dust and dirt from Air Compressor, its cooling fins and motor housing.
4. All repairs should be performed by a qualified electrician only.

Manufacturer: Shanghaimuxinmuyeyouxiangongsi

Address: Shuangchenglu 803nong11hao1602A-1609shi, baoshanqu, shanghai
200000 CN.

Imported to AUS: SIHAO PTY LTD. 1 ROKEVA STREETEASTWOOD NSW
2122 Australia

Imported to USA: Sanven Technology Ltd. Suite 250, 9166 Anaheim Place,
Rancho Cucamonga, CA 91730



E-CrossStu GmbH
Mainzer Landstr.69, 60329
Frankfurt am Main.



YH CONSULTING LIMITED.
C/O YH Consulting Limited Office 147,
Centurion House, London Road,
Staines-upon-Thames. Surrey. TW18 4AX

VEVOR[®]

TOUGH TOOLS, HALF PRICE

Technical Support and E-Warranty Certificate
www.vevor.com/support