

VEVOR®

TOUGH TOOLS, HALF PRICE

Technical Support and E-Warranty Certificate

www.vevor.com/support

ACCU-LOCK MACHINE VICE

MODEL:QM1680 / QM16100 / QM16125

/QM1680G/Q16100G/QM16125G

QM16100N / QM16150U

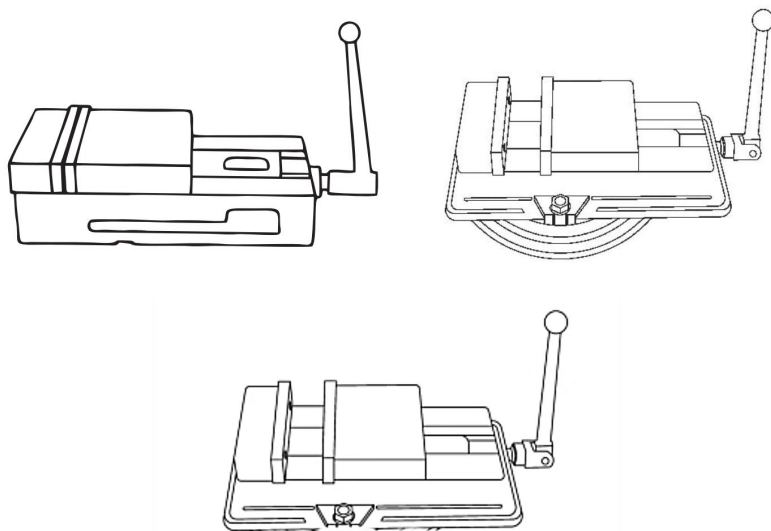
We continue to be committed to provide you tools with competitive price. "Save Half", "Half Price" or any other similar expressions used by us only represents an estimate of savings you might benefit from buying certain tools with us compared to the major top brands and does not necessarily mean to cover all categories of tools offered by us. You are kindly reminded to verify carefully when you are placing an order with us if you are actually saving half in comparison with the top major brands.

VEVOR[®]

TOUGH TOOLS, HALF PRICE

ACCU-LOCK MACHINE VICE

MODEL:QM1680/QM16100/QM16125/QM1680G/QM16100G/QM16125G
/QM16100N/QM16150U



NEED HELP? CONTACT US!

Have product questions? Need technical support? Please feel free to contact us:

Technical Support and E-Warranty Certificate
www.vevor.com/support

This is the original instruction, please read all manual instructions carefully before operating. VEVOR reserves a clear interpretation of our user manual. The appearance of the product shall be subject to the product you received. Please forgive us that we won't inform you again if there are any technology or software updates on our product.



Warning-To reduce the risk of injury, user must read instructions manual carefully.

OPERATION MANUAL

I. MAIN USE AND PERFORMANCE

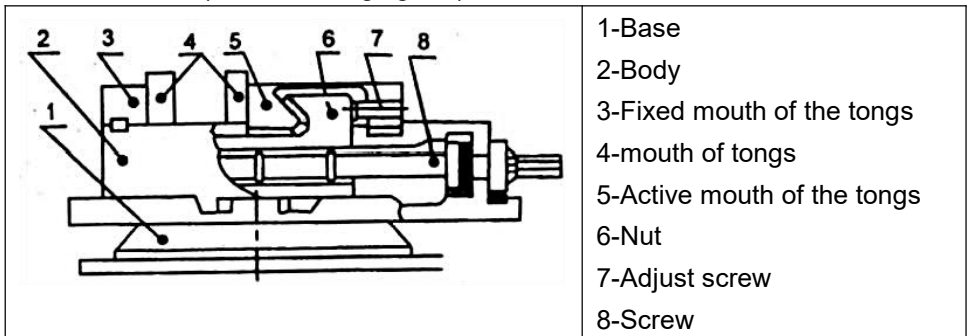
1. This product is main attachments to precision millings grinders no machines,
2. When active mouth of the tongs level migration,Above it half sphere can have a vertical downward pressure,therefore the clamp work piece cannot surface the boat.
3. The mouth of the tongs opens the opening to be possible to act according to four direction changes.

II. Uses and maintains

1. advert:Middle has an adjuster bolt in active mouth of the tongs behind,uses in eliminating the nut with pliers body between gap,enable between both to have a correct connection,if connects too tightly,on the active mouth of the tongs half sphere can shift,too loose,guide screw and nut not concentric,the guide screw passes time is difficult.
2. In the transportation and the operation,forbid strictly the rap and the collision,otherwise the precision is unable to guarantee.
3. In order to guarantee the operation is nimble,all active parts need to be lubricated frequently.

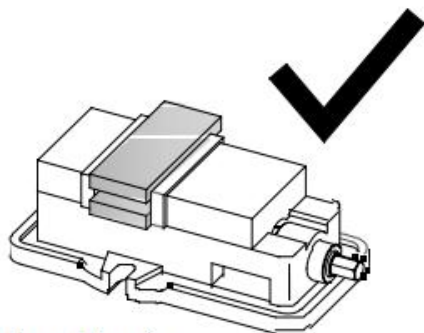
III. Main structure and explanation

1. Main structure(see beloweng figure)



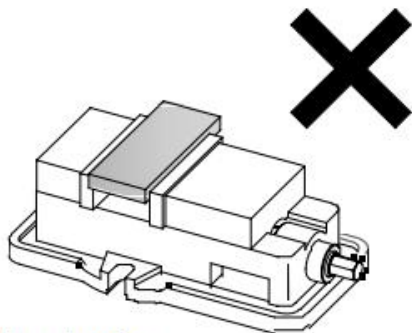
Note: Fixed type does not have serial number 1

SCHEMATIC DIAGRAM OF THE CLAMPING WORKPIECE



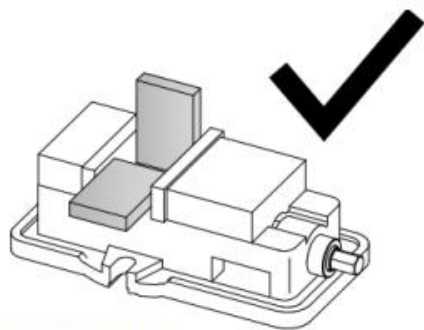
Correct clamping:

This clamping can make the jaws uniform force, will not be damaged jaws and body structure.



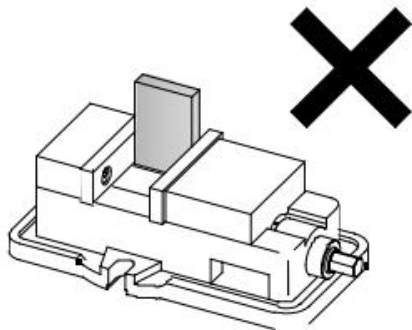
Error clamping:

Clamping directly in the air, there is no simultaneous force point below, resulting in the jaw tilting force, easy to damage the body structure.



Correct clamping:

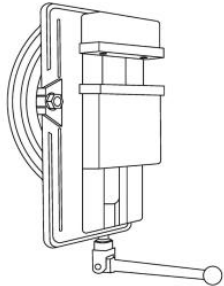
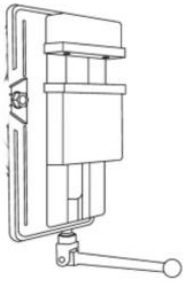
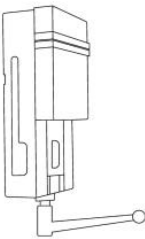
This clamping can make the jaws uniform force, will not be damaged jaws and body structure.



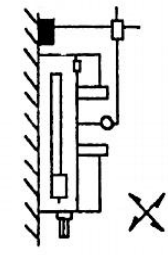
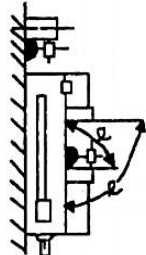
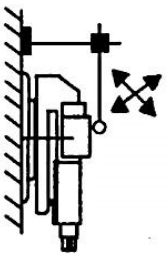
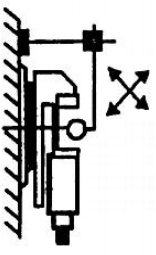
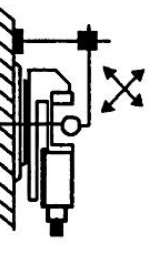
Error clamping:

One side clamping, and no gasket clamping at the same time on the other side force, will lead to uneven force on the jaws, resulting in the jaws change Shape, damage.

MAIN SPECIFICATION

Model	QM1680	QM16100	QM16125	QM1680G	QM16100G	QM16125G	QM16100N	QM16150U
Sketch Map								
Mouth of the tongs width	80mm	100mm	125mm	80mm	100mm	125mm	100mm	150MM
Maximum opening	80mm	100mm	125mm	80mm	100mm	125mm	100mm	150MM
Mouth of the tongs	23mm	32mm	40mm	23mm	32mm	40mm	32mm	45mm
Biggest clamping	15KN	19KN	24KN	15KN	19KN	24KN	19KN	29KN
Localization width of key	14mm	14mm	14mm	14mm	14mm	14mm	14mm	18mm
Diameter of bolt	M12	M12	M12	M12	M12	M12	/	/

PRECISION CHECK LIST

Examination project	Testing sketch	Accuracy	mm	Vice body guide rail first tone facing bottom plan parallelism		In 100 survey lengths 0.02	Examination block first tone facing vice body bottom surface parallelism	Testing sketch	Accuracy In 100 survey lengths 0.03	mm
Fixed mouth of the gongs surface and active mouth of the tongs facing guide rail on plane verticality		In 100 survey lengths $0.05\alpha < 90^\circ$		Examination block first tone facing foundation bottom plane parallelism		In 100 survey lengths 0.04				
Guide rail first tone facing bottom plane parallelism		In 100 survey lengths 0.02	On examination block plane gradient		0.04					

Manufacturer: Shanghaimuxinmuyeyouxiangongsi

Address: Shuangchenglu 803nong11hao1602A-1609shi, baoshanqu, shanghai 200000 CN.

Imported to AUS: SIHAO PTY LTD, 1 ROKEVA STREETEASTWOOD NSW 2122 Australia

Imported to USA: Sanven Technology Ltd., Suite 250, 9166 Anaheim Place, Rancho Cucamonga, CA 91730

EC	REP
-----------	------------

E-CrossStu GmbH
Mainzer Landstr.69, 60329 Frankfurt am Main.

UK	REP
-----------	------------

YH CONSULTING LIMITED.
C/O YH Consulting Limited Office 147, Centurion House,
London Road, Staines-upon-Thames, Surrey, TW18 4AX

VEVOR[®]

TOUGH TOOLS, HALF PRICE

Technical Support and E-Warranty Certificate

www.vevor.com/support

VEVOR[®]

TOUGH TOOLS, HALF PRICE

Technique Certificat d'assistance et de garantie électronique

www.vevor.com/support

ÉTAU DE MACHINE ACCU-LOCK

MODÈLE : QM1680 / QM16100 / QM16125 /

QM1680G/Q16100G/QM16125G

QM16100N / QM16150U

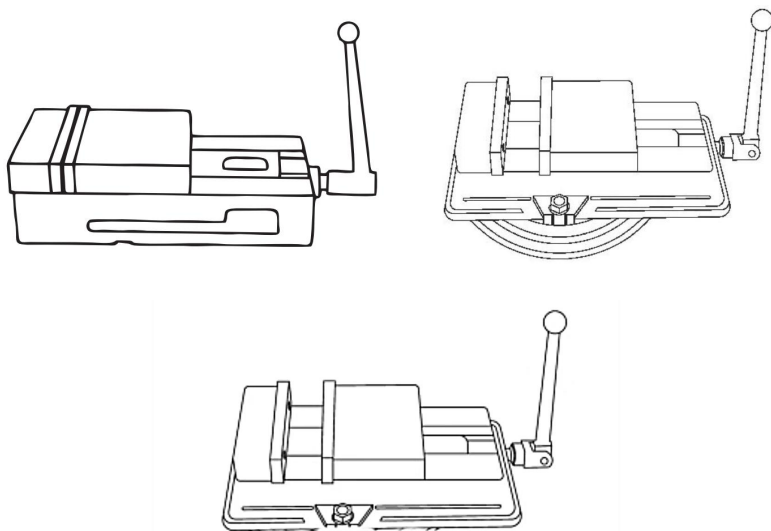
We continue to be committed to provide you tools with competitive price. "Save Half", "Half Price" or any other similar expressions used by us only represents an estimate of savings you might benefit from buying certain tools with us compared to the major top brands and does not necessarily mean to cover all categories of tools offered by us. You are kindly reminded to verify carefully when you are placing an order with us if you are actually saving half in comparison with the top major brands.

VEVOR[®]

TOUGH TOOLS, HALF PRICE

ACCU-LOCK MACHINE VICE

MODÈLE : QM1680/QM16100/QM16125/QM1680 G /QM16100 G /QM16125 G/ QM16100N/QM16150U



NEED HELP? CONTACT US!

Have product questions? Need technical support? Please feel free to contact us:

Technical Support and E-Warranty Certificate
www.vevor.com/support

This is the original instruction, please read all manual instructions carefully before operating. VEVOR reserves a clear interpretation of our user manual. The appearance of the product shall be subject to the product you received. Please forgive us that we won't inform you again if there are any technology or software updates on our product.



Avertissement - Pour réduire le risque de blessure, l'utilisateur doit lire attentivement le manuel d'instructions.

OPERATION MANUAL

IV. UTILISATION PRINCIPALE ET PERFORMANCES

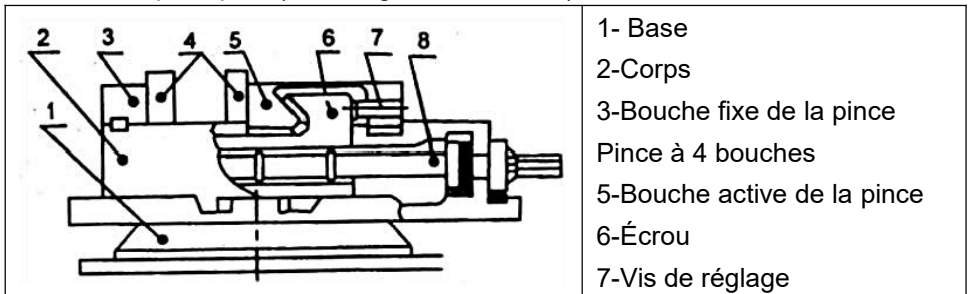
1. Ce produit est un accessoire principal pour les meuleuses de précision pas de machines,
2. Lorsque la bouche active de la pince est en migration de niveau, au-dessus de celle-ci, la demi-sphère peut avoir une pression verticale vers le bas, donc la pince la pièce ne peut pas faire surface sur le bateau.
3. La bouche de la pince ouvre l'ouverture pour pouvoir agir selon quatre changements de direction.

V. Utilisations et entretien

1. annonce : Le milieu a un boulon de réglage dans la bouche active du pinces derrière, utilisées pour éliminer l'écrou avec le corps de la pince entre écart, permet entre les deux d'avoir une connexion correcte, si elle se connecte trop serré, sur la bouche active de la pince, la demi-sphère peut se déplacer, trop desserré, la vis de guidage et l'écrou ne sont pas concentriques, la vis de guidage passe le temps est difficile.
2. Pendant le transport et l'opération, interdire strictement le coup et la collision, sinon la précision ne peut pas être garantie .
3. Afin de garantir que l'opération soit agile, tous les actifs les pièces doivent être lubrifiées fréquemment.

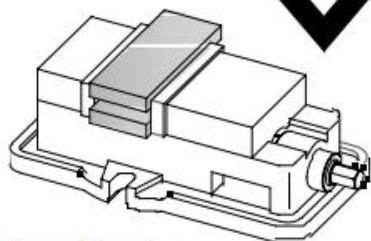
VI. Structure principale et explication

1. Structure principale (voir la figure ci-dessous)



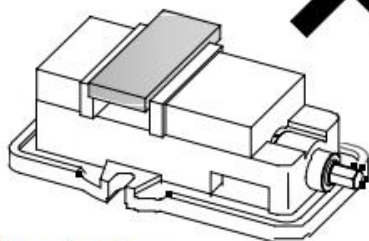
Remarque : le type fixe n'a pas de numéro de série 1

SCHÉMA DE PRINCIPE DE LA PIÈCE À SERRER



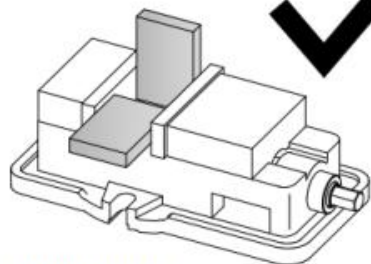
Correct clamping:

This clamping can make the jaws uniform force, will not be damaged jaws and body structure.



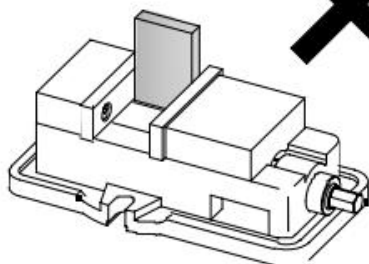
Error clamping:

Clamping directly in the air, there is no simultaneous force point below, resulting in the jaw tilting force, easy to damage the body structure.



Correct clamping:

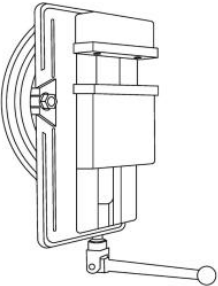
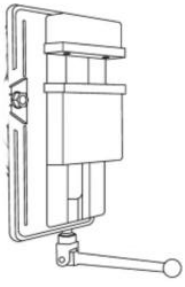
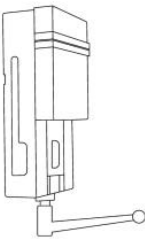
This clamping can make the jaws uniform force, will not be damaged jaws and body structure.



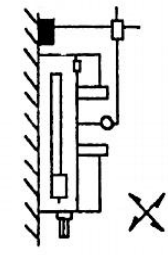
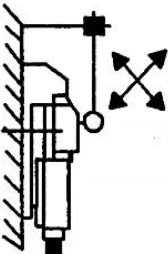
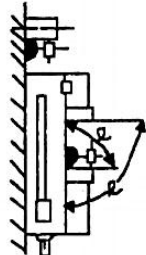
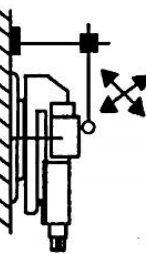
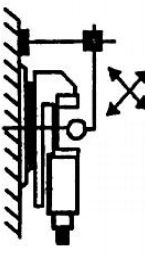
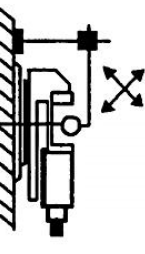
Error clamping:

One side clamping, and no gasket clamping at the same time on the other side force, will lead to uneven force on the jaws, resulting in the jaws change shape, damage.

MAIN SPECIFICATION

Model	QM1680	QM16100	QM16125	QM1680G	QM16100G	QM16125G	QM16100N	QM16150U
Sketch Map								
Mouth of the tongs width	80mm	100mm	125mm	80mm	100mm	125mm	100mm	150MM
Maximum opening	80mm	100mm	125mm	80mm	100mm	125mm	100mm	150MM
Mouth of the tongs	23mm	32mm	40mm	23mm	32mm	40mm	32mm	45mm
Biggest clamping	15KN	19KN	24KN	15KN	19KN	24KN	19KN	29KN
Localization width of key	14mm	14mm	14mm	14mm	14mm	14mm	14mm	18mm
Diameter of bolt	M12	M12	M12	M12	M12	M12	/	/

PRECISION CHECK LIST

Examination project	Testing sketch	Accuracy	mm	Vice body guide rail first tone facing bottom plan parallelism		In 100 survey lengths 0.02	Examination block first tone facing vice body bottom surface parallelism		Accuracy In 100 survey lengths 0.03
Fixed mouth of the gongs surface and active mouth of the tongs facing guide rail on plane verticality		In 100 survey lengths $0.05\alpha < 90^\circ$		Examination block first tone facing foundation bottom plane parallelism		In 100 survey lengths 0.04			
Guide rail first tone facing bottom plane parallelism		In 100 survey lengths 0.02	On examination block plane gradient		0.04				

Fabricant : Shanghaimuxinmuyeyouxiangongsi

Adresse : Shuangchenglu 803nong11hao1602A-1609shi, baoshanqu, Shanghai 200000 CN.

Importé en Australie : SIHAO PTY LTD, 1 ROKEVA STREET, ASTWOOD NSW 2122 Australie

Importé aux États-Unis : Sanven Technology Ltd., Suite 250, 9166 Anaheim Place, Rancho Cucamonga, CA 91730

EC	REP
-----------	------------

E-CrossStu GmbH
Mainzer Landstr.69, 60329 Frankfurt am Main.

UK	REP
-----------	------------

YH CONSULTING LIMITED.
C/O YH Consulting Limited Office 147, Centurion House,
London Road, Staines-upon-Thames, Surrey, TW18 4AX

VEVOR[®]

TOUGH TOOLS, HALF PRICE

Technique Certificat d'assistance et de garantie électronique

www.vevor.com/support

VEVOR[®]

TOUGH TOOLS, HALF PRICE

Technisch Support und E-Garantie-Zertifikat

www.vevor.com/support

ACCU-LOCK MASCHINENSCHRAUBSTOCK

MODELL:QM1680 / QM16100 / QM16125 /

QM1680G/Q16100G/QM16125G

QM16100N / QM16150U

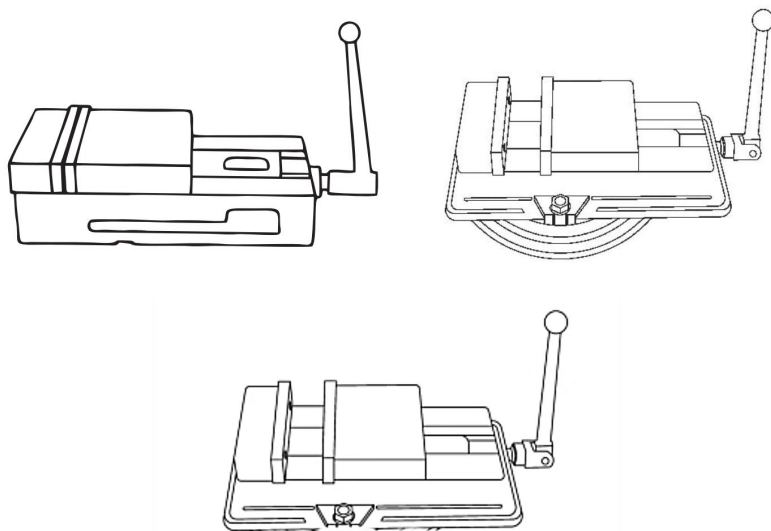
We continue to be committed to provide you tools with competitive price. "Save Half", "Half Price" or any other similar expressions used by us only represents an estimate of savings you might benefit from buying certain tools with us compared to the major top brands and does not necessarily mean to cover all categories of tools offered by us. You are kindly reminded to verify carefully when you are placing an order with us if you are actually saving half in comparison with the top major brands.

VEVOR®

TOUGH TOOLS, HALF PRICE

ACCU-LOCK MACHINE VICE

MODELL: QM1680/QM16100/QM16125/QM1680 G /QM16100 G /QM16125 G/ QM16100N/QM16150U



NEED HELP? CONTACT US!

Have product questions? Need technical support? Please feel free to contact us:

Technical Support and E-Warranty Certificate
www.vevor.com/support

This is the original instruction, please read all manual instructions carefully before operating. VEVOR reserves a clear interpretation of our user manual. The appearance of the product shall be subject to the product you received. Please forgive us that we won't inform you again if there are any technology or software updates on our product.



Warnung: Um das Verletzungsrisiko zu verringern, muss der Benutzer die Bedienungsanleitung sorgfältig lesen.

OPERATION MANUAL

VII. HAUPTANWENDUNG UND LEISTUNG

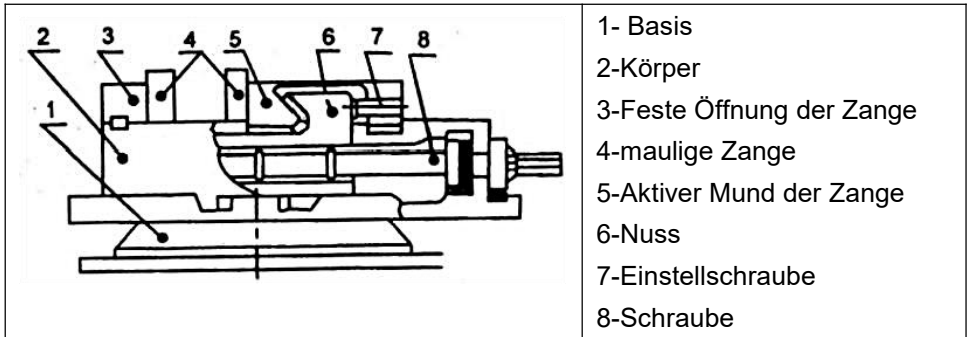
1. Dieses Produkt ist das Hauptzubehör für Präzisionsfräsen und -schleifmaschinen . keine Maschinen,
2. Wenn die aktive Öffnung der Zange auf gleicher Höhe wandert, kann die darüber liegende Halbkugel einen vertikalen Druck nach unten ausüben, sodass die Klemme Das Werkstück kann das Boot nicht an die Oberfläche bringen.
3. Die Öffnung der Zange öffnet die Öffnung , um handeln zu können nach vier Richtungswechseln.

VIII. Verwendet und pflegt

1. Anzeige:Mitte hat einen Einstellbolzen in aktiven Mund der Zange dahinter, verwendet in Beseitigung der Mutter mit Zangenkörper zwischen Lücke, ermöglichen zwischen beiden, um eine korrekte Verbindung zu haben, wenn verbindet zu fest, auf dem aktiven Mund der Zange kann sich die Halbkugel verschieben, zu lose,Führungsschraube und Mutter nicht konzentrisch,Führungsschraube geht durch die Zeit ist schwierig.
2. Stoßen und Zusammenstöße während des Transports und des Betriebs strengstens untersagen, da sonst die Präzision nicht gewährleistet werden kann .
3. Um einen reibungslosen Ablauf zu gewährleisten , Teile müssen häufig geschmiert werden.

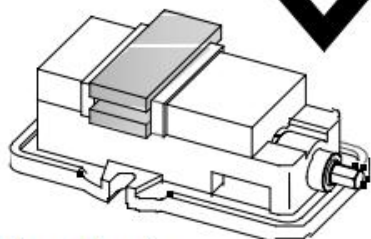
IX. Hauptstruktur und Erklärung

- 1 . Hauptstruktur (siehe Abbildung unten)



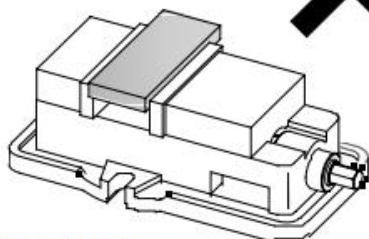
Hinweis: Fester Typ hat keine Seriennummer 1

SCHEMATISCHE DARSTELLUNG DER WERKSTÜCKSPANNUNG



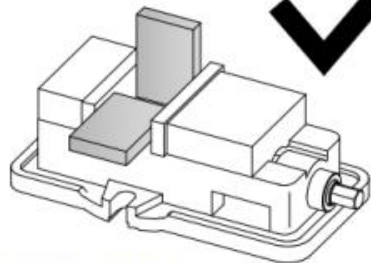
Correct clamping:

This clamping can make the jaws uniform force, will not be damaged jaws and body structure.



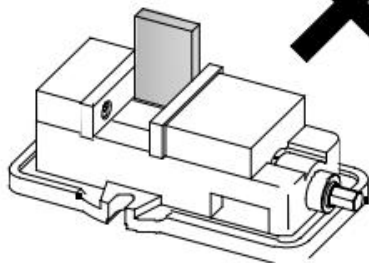
Error clamping:

Clamping directly in the air, there is no simultaneous force point below, resulting in the jaw tilting force, easy to damage the body structure.



Correct clamping:

This clamping can make the jaws uniform force, will not be damaged jaws and body structure.



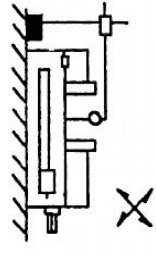
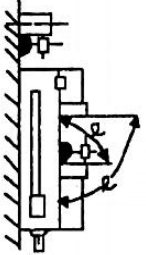
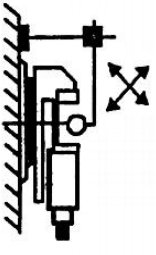
Error clamping:

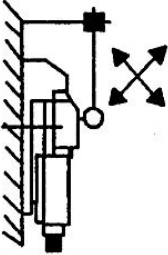
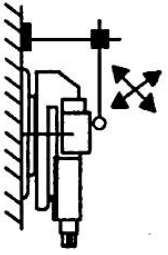
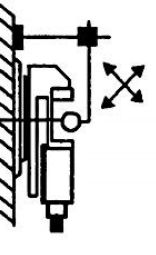
One side clamping, and no gasket clamping at the same time on the other side force, will lead to uneven force on the jaws, resulting in the jaws change shape, damage.

MAIN SPECIFICATION

Sketch Map	Model	QM1680	QM16100	QM16125	QM1680G	QM16100G	QM16125G	QM16100N	QM16150U
	Mouth of the tongs width	80mm	100mm	125mm	80mm	100mm	125mm	100mm	150MM
	Maximum opening	80mm	100mm	125mm	80mm	100mm	125mm	100mm	150MM
	Mouth of the tongs	23mm	32mm	40mm	23mm	32mm	40mm	32mm	45mm
	Biggest clamping	15KN	19KN	24KN	15KN	19KN	24KN	19KN	29KN
	Localization width of key	14mm	14mm	14mm	14mm	14mm	14mm	14mm	18mm
	Diameter of bolt	M12	M12	M12	M12	M12	M12	/	/

PRECISION CHECK LIST

Examination project	Testing sketch	Accuracy	mm
Vice body guide rail first tone facing bottom plan parallelism		In 100 survey lengths 0.02	
Fixed mouth of the gongs surface and active mouth of the tongs facing guide rail on plane verticality		In 100 survey lengths $0.05\alpha < 90^\circ$	
Guide rail first tone facing bottom plane parallelism		In 100 survey lengths 0.02	

Examination project	Testing sketch	Accuracy	mm
Examination block first tone facing vice body bottom surface parallelism		In 100 survey lengths 0.03	
Examination block first tone facing foundation bottom plane parallelism		In 100 survey lengths 0.04	
On examination block plane gradient		0.04	

Hersteller: Shanghai muxinmuyeyouxiangongsi

Adresse: Shuangchenglu 803nong11hao1602A-1609shi, baoshanqu, Shanghai 200000 CN.

Nach AUS importiert: SIHAO PTY LTD, 1 ROKEVA STREET EASTWOOD NSW 2122 Australien

Importiert in die USA: Sanven Technology Ltd., Suite 250, 9166 Anaheim Place, Rancho Cucamonga, CA 91730

EC	REP
-----------	------------

E-CrossStu GmbH
Mainzer Landstr.69, 60329 Frankfurt am Main.

UK	REP
-----------	------------

YH CONSULTING LIMITED.
C/O YH Consulting Limited Office 147, Centurion House,
London Road, Staines-upon-Thames, Surrey, TW18 4AX

VEVOR[®]

TOUGH TOOLS, HALF PRICE

Technisch Support und E-Garantie-Zertifikat

www.vevor.com/support

VEVOR®

TOUGH TOOLS, HALF PRICE

Tecnico Supporto e certificato di garanzia elettronica

www.vevor.com/support

MORSA PER MACCHINE ACCU-LOCK

MODELLO:QM1680 / MODELLO QM16100 / QM16125 /

QM1680G/Q16100G/QM16125G

MODELLO QM16100N / MODELLO QM16150U

We continue to be committed to provide you tools with competitive price.

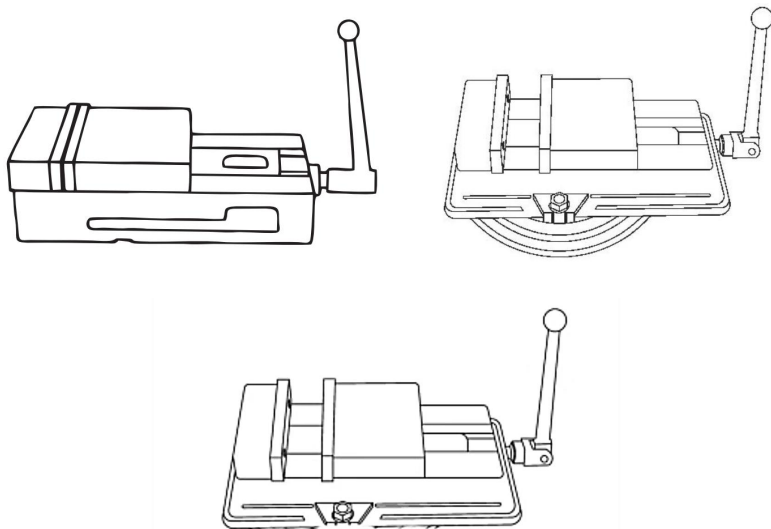
"Save Half", "Half Price" or any other similar expressions used by us only represents an estimate of savings you might benefit from buying certain tools with us compared to the major top brands and does not necessarily mean to cover all categories of tools offered by us. You are kindly reminded to verify carefully when you are placing an order with us if you are actually saving half in comparison with the top major brands.

VEVOR®

TOUGH TOOLS, HALF PRICE

ACCU-LOCK MACHINE VICE

MODELLO:QM1680/QM16100/QM16125/QM1680 G /QM16100 G
/QM16125 G/ QM16100N/QM16150U



NEED HELP? CONTACT US!

Have product questions? Need technical support? Please feel free to contact us:

Technical Support and E-Warranty Certificate
www.vevor.com/support

This is the original instruction, please read all manual instructions carefully before operating. VEVOR reserves a clear interpretation of our user manual. The appearance of the product shall be subject to the product you received. Please forgive us that we won't inform you again if there are any technology or software updates on our product.



Attenzione: per ridurre il rischio di lesioni, l'utente deve leggere attentamente il manuale di istruzioni.

OPERATION MANUAL

X. USO PRINCIPALE E PRESTAZIONI

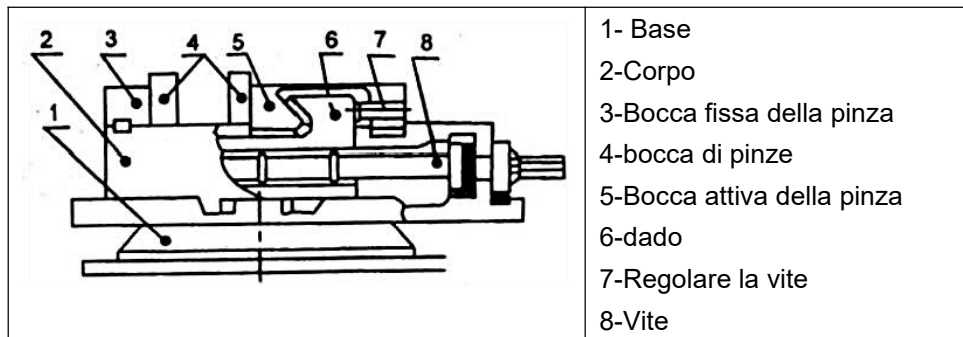
1. Questo prodotto è l'accessorio principale per rettificatrici di precisione nessuna macchina,
2. Quando la bocca attiva della pinza migra a livello, sopra di essa la mezza sfera può avere una pressione verticale verso il basso, quindi il morsetto il pezzo in lavorazione non riesce a far emergere la superficie della barca.
3. La bocca della pinza apre l'apertura per poter agire secondo quattro cambi di direzione.

XI. Utilizza e mantiene

1. Pubblicità: il centro ha un bullone di regolazione nella bocca attiva del pinze dietro, utilizzate per eliminare il dado con il corpo della pinza tra gap, consente tra entrambi di avere una connessione corretta, se si collega troppo stretto, sulla bocca attiva della pinza la mezza sfera può spostarsi, troppo allentato, vite guida e dado non concentrici, la vite guida passa il tempo è difficile.
2. Nel trasporto e nell'operazione, vietare severamente il colpo e la collisione, altrimenti la precisione non può essere garantita .
3. Per garantire l'agilità dell'operazione, tutti i dati attivi le parti devono essere lubrificate frequentemente.

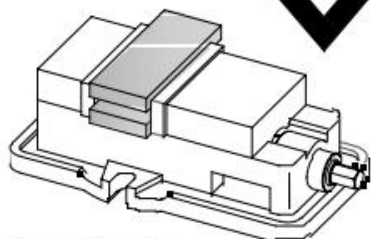
XII. Struttura principale e spiegazione

- 1 . Struttura principale (vedi figura sotto)



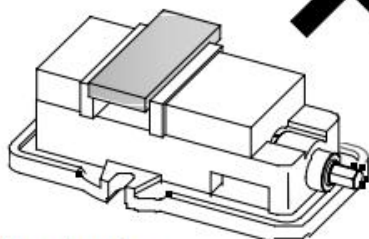
Nota: il tipo fisso non ha il numero di serie 1

SCHEMA DEL PEZZO DA SERRARE



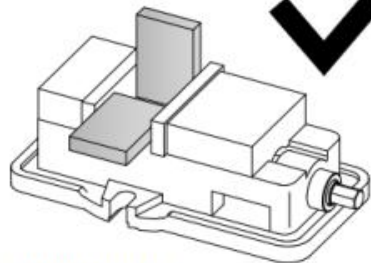
Correct clamping:

This clamping can make the jaws uniform force, will not be damaged jaws and body structure.



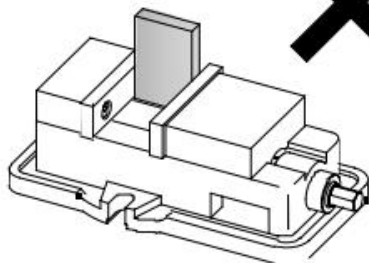
Error clamping:

Clamping directly in the air, there is no simultaneous force point below, resulting in the jaw tilting force, easy to damage the body structure.



Correct clamping:

This clamping can make the jaws uniform force, will not be damaged jaws and body structure.



Error clamping:

One side clamping, and no gasket clamping at the same time on the other side force, will lead to uneven force on the jaws, resulting in the jaws change shape, damage.

MAIN SPECIFICATION

Sketch Map	Model	QM1680	QM16100	QM16125	QM1680G	QM16100G	QM16125G	QM16100N	QM16150U
	Mouth of the tongs width	80mm	100mm	125mm	80mm	100mm	125mm	100mm	150MM
	Maximum opening	80mm	100mm	125mm	80mm	100mm	125mm	100mm	150MM
	Mouth of the tongs	23mm	32mm	40mm	23mm	32mm	40mm	32mm	45mm
	Biggest clamping	15KN	19KN	24KN	15KN	19KN	24KN	19KN	29KN
	Localization width of key	14mm	14mm	14mm	14mm	14mm	14mm	14mm	18mm
	Diameter of bolt	M12	M12	M12	M12	M12	M12	/	/

PRECISION CHECK LIST

Produttore: Shanghaimuxinmuyeyouxiangongsi

Indirizzo: Shuangchenglu 803nong11hao1602A-1609shi, baoshanqu, shanghai 200000 CN.

Importato in AUS: SIHAO PTY LTD, 1 ROKEVA STREETEASTWOOD NSW 2122 Australia

Importato negli USA: Sanven Technology Ltd., Suite 250, 9166 Anaheim Place, Rancho Cucamonga, CA 91730

EC	REP
-----------	------------

E-CrossStu GmbH
Mainzer Landstr.69, 60329 Frankfurt am Main.

UK	REP
-----------	------------

YH CONSULTING LIMITED.
C/O YH Consulting Limited Office 147, Centurion House,
London Road, Staines-upon-Thames, Surrey, TW18 4AX

VEVOR[®]

TOUGH TOOLS, HALF PRICE

Tecnico Supporto e certificato di garanzia elettronica

www.vevor.com/support

VEVOR®

TOUGH TOOLS, HALF PRICE

Técnico Certificado de soporte y garantía electrónica

www.vevor.com/support

TORNILLO DE MÁQUINA ACCU-LOCK

MODELO: QM1680 / QM16100 / QM16125 /

QM1680G/Q16100G/QM16125G

QM16100N / QM16150U

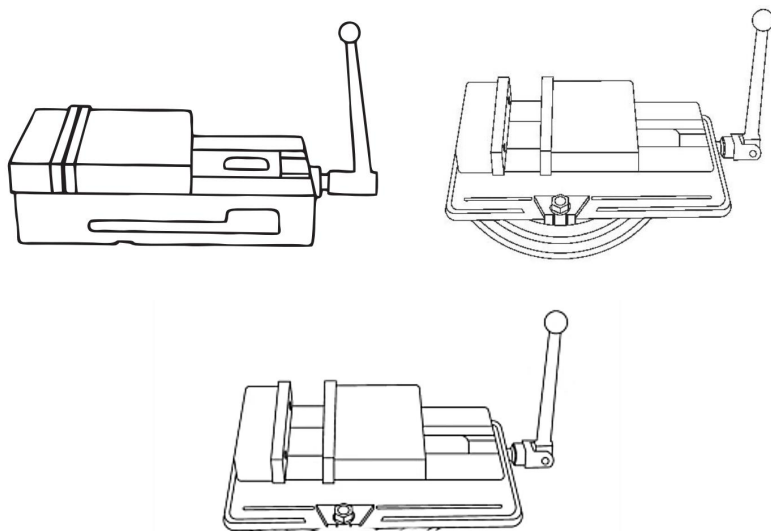
We continue to be committed to provide you tools with competitive price. "Save Half", "Half Price" or any other similar expressions used by us only represents an estimate of savings you might benefit from buying certain tools with us compared to the major top brands and does not necessarily mean to cover all categories of tools offered by us. You are kindly reminded to verify carefully when you are placing an order with us if you are actually saving half in comparison with the top major brands.

VEVOR[®]

TOUGH TOOLS, HALF PRICE

ACCU-LOCK MACHINE VICE

MODELO: QM1680/QM16100/QM16125/QM1680 G /QM16100 G /QM16125 G/ QM16100N/QM16150U



NEED HELP? CONTACT US!

Have product questions? Need technical support? Please feel free to contact us:

Technical Support and E-Warranty Certificate
www.vevor.com/support

This is the original instruction, please read all manual instructions carefully before operating. VEVOR reserves a clear interpretation of our user manual. The appearance of the product shall be subject to the product you received. Please forgive us that we won't inform you again if there are any technology or software updates on our product.



Advertencia: Para reducir el riesgo de lesiones, el usuario debe leer atentamente el manual de instrucciones.

OPERATION MANUAL

XIII. USO PRINCIPAL Y RENDIMIENTO

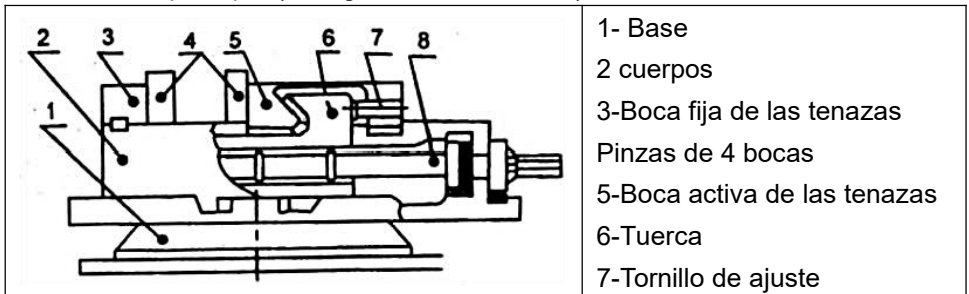
1. Este producto es el accesorio principal para rectificadoras y fresadoras de precisión . Sin máquinas,
2. Cuando la boca activa de las pinzas migra a nivel, la mitad superior de la esfera puede tener una presión vertical hacia abajo, por lo que la abrazadera La pieza de trabajo no puede sacar el barco a la superficie.
3. La boca de la pinza abre la abertura para poder actuar . según cuatro cambios de dirección.

XIV. Usos y mantenimiento

1. anuncio: El medio tiene un perno de ajuste en la boca activa del pinzas detrás, se utiliza para eliminar la tuerca con el cuerpo de las pinzas entre espacio, permite que entre ambos haya una conexión correcta, si se conecta demasiado fuerte, en la boca activa de las pinzas la media esfera puede moverse, demasiado suelto, tornillo guía y tuerca no concéntricos, el tornillo guía pasa El tiempo es difícil.
2. Durante el transporte y la operación, se prohíben estrictamente los golpes y colisiones, de lo contrario no se puede garantizar la precisión.
3. Para garantizar que la operación sea ágil, todos los activos Las piezas necesitan lubricarse con frecuencia.

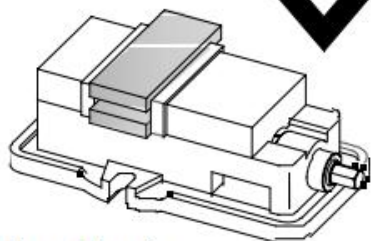
XV. Estructura principal y explicación

- 1 . Estructura principal (ver figura a continuación)



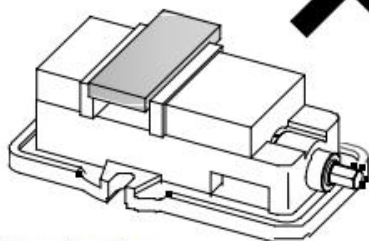
Nota: El tipo fijo no tiene número de serie 1

DIAGRAMA ESQUEMÁTICO DE LA PIEZA DE SUJECIÓN.



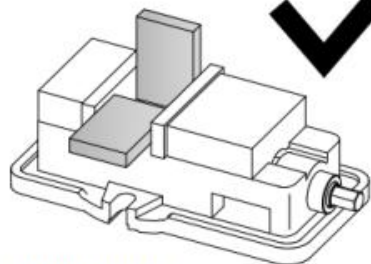
Correct clamping:

This clamping can make the jaws uniform force, will not be damaged jaws and body structure.



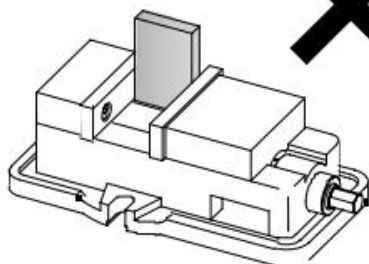
Error clamping:

Clamping directly in the air, there is no simultaneous force point below, resulting in the jaw tilting force, easy to damage the body structure.



Correct clamping:

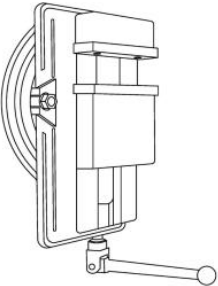
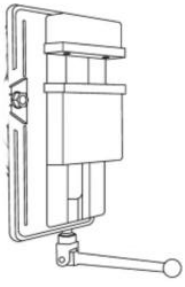
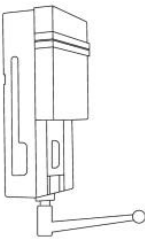
This clamping can make the jaws uniform force, will not be damaged jaws and body structure.



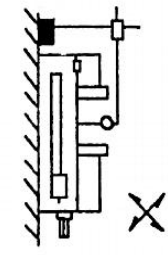
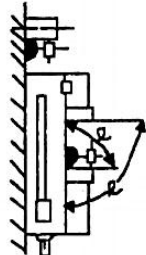
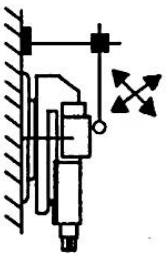
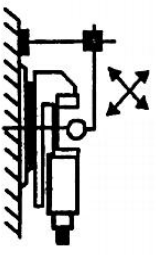
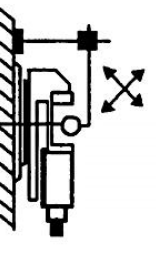
Error clamping:

One side clamping, and no gasket clamping at the same time on the other side force, will lead to uneven force on the jaws, resulting in the jaws change shape, damage.

MAIN SPECIFICATION

Model	QM1680	QM16100	QM16125	QM1680G	QM16100G	QM16125G	QM16100N	QM16150U
Sketch Map								
Mouth of the tongs width	80mm	100mm	125mm	80mm	100mm	125mm	100mm	150MM
Maximum opening	80mm	100mm	125mm	80mm	100mm	125mm	100mm	150MM
Mouth of the tongs	23mm	32mm	40mm	23mm	32mm	40mm	32mm	45mm
Biggest clamping	15KN	19KN	24KN	15KN	19KN	24KN	19KN	29KN
Localization width of key	14mm	14mm	14mm	14mm	14mm	14mm	14mm	18mm
Diameter of bolt	M12	M12	M12	M12	M12	M12	/	/

PRECISION CHECK LIST

Examination project	Testing sketch	Accuracy	mm	Vice body guide rail first tone facing bottom plan parallelism		In 100 survey lengths 0.02	Examination project Examination block first tone facing vice body bottom surface parallelism	Testing sketch	Accuracy In 100 survey lengths 0.03	mm
Fixed mouth of the gongs surface and active mouth of the tongs facing guide rail on plane verticality		In 100 survey lengths $0.05\alpha < 90^\circ$		Examination project Examination block first tone facing foundation bottom plane parallelism		In 100 survey lengths 0.04				
Guide rail first tone facing bottom plane parallelism		In 100 survey lengths 0.02	Examination project On examination block plane gradient		0.04					

Fabricante: Shanghaimuxinmuyeyouxiangongsi

Dirección: Shuangchenglu 803nong11hao1602A-1609shi, baoshanqu, shanghai 200000 CN.

Importado a AUS: SIHAO PTY LTD, 1 ROKEVA STREETEASTWOOD NSW 2122 Australia

Importado a EE. UU.: Sanven Technology Ltd., Suite 250, 9166 Anaheim Place, Rancho Cucamonga, CA 91730

EC	REP
-----------	------------

E-CrossStu GmbH
Mainzer Landstr.69, 60329 Frankfurt am Main.

UK	REP
-----------	------------

YH CONSULTING LIMITED.
C/O YH Consulting Limited Office 147, Centurion House,
London Road, Staines-upon-Thames, Surrey, TW18 4AX

VEVOR[®]

TOUGH TOOLS, HALF PRICE

Técnico Certificado de soporte y garantía electrónica

www.vevor.com/support

VEVOR®

TOUGH TOOLS, HALF PRICE

Techniczny Wsparcie i certyfikat e-gwarancji

www.vevor.com/support

IMADŁO MASZYNOWE ACCU-LOCK

MODEL:QM1680 / QM16100 / QM16125 /

QM1680G/Q16100G/QM16125G

QM16100N / QM16150U

We continue to be committed to provide you tools with competitive price.

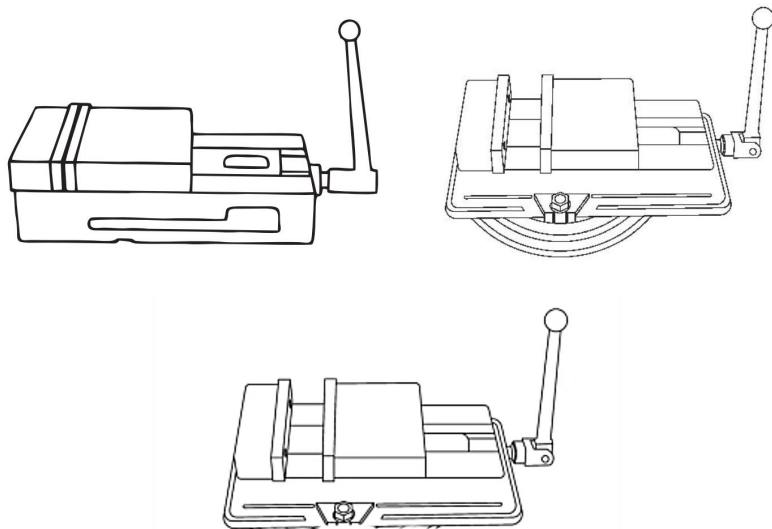
"Save Half", "Half Price" or any other similar expressions used by us only represents an estimate of savings you might benefit from buying certain tools with us compared to the major top brands and does not necessarily mean to cover all categories of tools offered by us. You are kindly reminded to verify carefully when you are placing an order with us if you are actually saving half in comparison with the top major brands.

VEVOR[®]

TOUGH TOOLS, HALF PRICE

ACCU-LOCK MACHINE VICE

MODELE: QM1680/QM16100/QM16125/QM1680 G /QM16100 G /QM16125 G/ QM16100N/QM16150U



NEED HELP? CONTACT US!

Have product questions? Need technical support? Please feel free to contact us:

Technical Support and E-Warranty Certificate
www.vevor.com/support

This is the original instruction, please read all manual instructions carefully before operating. VEVOR reserves a clear interpretation of our user manual. The appearance of the product shall be subject to the product you received. Please forgive us that we won't inform you again if there are any technology or software updates on our product.



Ostrzeżenie: Aby zminimalizować ryzyko obrażeń, użytkownik powinien uważnie przeczytać instrukcję obsługi.

OPERATION MANUAL

XVI. GŁÓWNE ZASTOSOWANIE I WYDAJNOŚĆ

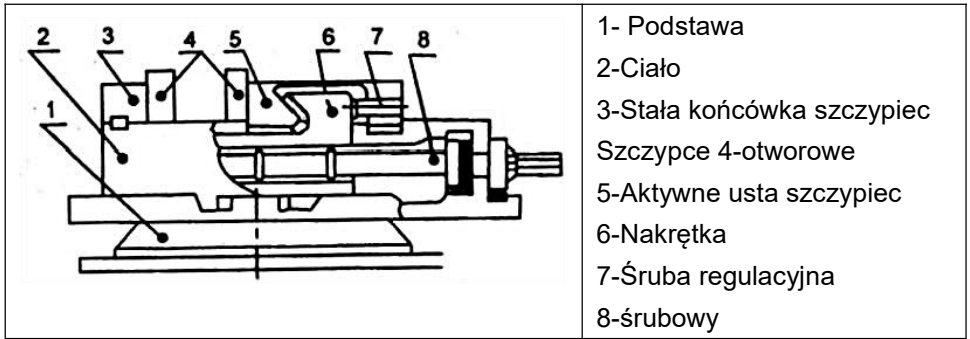
1. Ten produkt jest głównym osprzętem do precyzyjnych szlifierek bez maszyn,
2. Gdy aktywne usta szczypiec przesuwają się, nad nimi połowa kuli może wywierać pionowy nacisk w dół, dlatego zacisk przedmiot obrabiany nie może wynurzyć łodzi.
3. Usta szczypiec otwierają otwór, aby umożliwić działanie zgodnie z czterema zmianami kierunku.

XVII. Używa i utrzymuje

1. reklama: Środek ma śrubę regulacyjną w aktywnym uchu szczypce z tyłu, służą do usuwania nakrętki za pomocą korpusu szczypiec pomiędzy przerwa, włącz między nimi, aby uzyskać prawidłowe połączenie, jeśli się połączy zbyt ciasno, na aktywnej części szczypiec półkula może się przesunąć, zbyt luźny, śruba prowadząca i nakrętka nie są współśrodkowe, śruba prowadząca przechodzi czas jest trudny.
2. Podczas transportu i eksploatacji należy bezwzględnie zakazać uderzania i zderzeń, w przeciwnym razie nie można zagwarantować precyzji .
3. Aby zagwarantować sprawną pracę, wszystkie aktywne Części wymagają częstego smarowania.

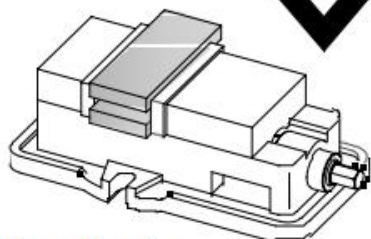
XVIII. Główna struktura i wyjaśnienie

- 1 . Główna konstrukcja (patrz poniższy rysunek)



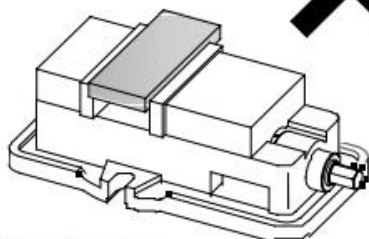
Uwaga: Typ stały nie ma numeru seryjnego 1

SCHEMATYCZNY RYSUNEK MOCOWANIA PRZEDMIOTU OBRABIANEGO



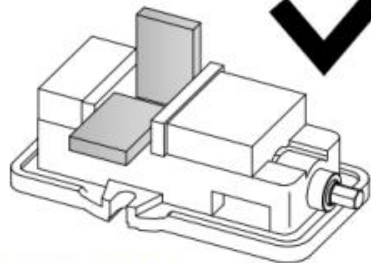
Correct clamping:

This clamping can make the jaws uniform force, will not be damaged jaws and body structure.



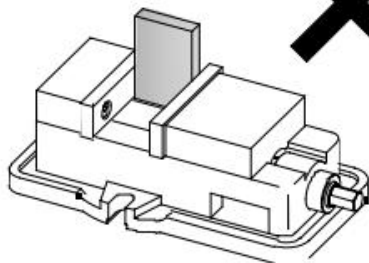
Error clamping:

Clamping directly in the air, there is no simultaneous force point below, resulting in the jaw tilting force, easy to damage the body structure.



Correct clamping:

This clamping can make the jaws uniform force, will not be damaged jaws and body structure.



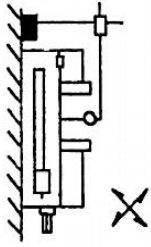
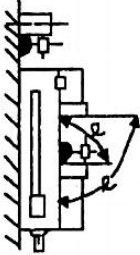
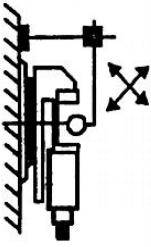
Error clamping:

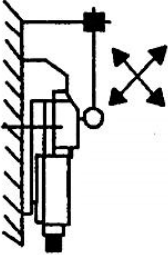
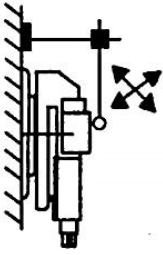
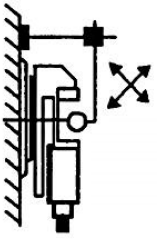
One side clamping, and no gasket clamping at the same time on the other side force, will lead to uneven force on the jaws, resulting in the jaws change shape, damage.

MAIN SPECIFICATION

Sketch Map	Model	QM1680	QM16100	QM16125	QM1680G	QM16100G	QM16125G	QM16100N	QM16150U
	Mouth of the tongs width	80mm	100mm	125mm	80mm	100mm	125mm	100mm	150MM
	Maximum opening	80mm	100mm	125mm	80mm	100mm	125mm	100mm	150MM
	Mouth of the tongs	23mm	32mm	40mm	23mm	32mm	40mm	32mm	45mm
	Biggest clamping	15KN	19KN	24KN	15KN	19KN	24KN	19KN	29KN
	Localization width of key	14mm	14mm	14mm	14mm	14mm	14mm	14mm	18mm
	Diameter of bolt	M12	M12	M12	M12	M12	M12	/	/

PRECISION CHECK LIST

Examination project	Testing sketch	Accuracy	mm
Vice body guide rail first tone facing bottom plan parallelism		In 100 survey lengths 0.02	
Fixed mouth of the gongs surface and active mouth of the tongs facing guide rail on plane verticality		In 100 survey lengths $0.05\alpha < 90^\circ$	
Guide rail first tone facing bottom plane parallelism		In 100 survey lengths 0.02	

Examination project	Testing sketch	Accuracy	mm
Examination block first tone facing vice body bottom surface parallelism		In 100 survey lengths 0.03	
Examination block first tone facing foundation bottom plane parallelism		In 100 survey lengths 0.04	
On examination block plane gradient		0.04	

Producent: Shanghaimuxinmuyeyouxiangongsi

Adres: Shuangchenglu 803nong11hao1602A-1609shi, baoshanqu, szanghaj 200000 CN.

Importowane do AUS: SIHAO PTY LTD, 1 ROKEVA STREETEASTWOOD NSW 2122 Australia

Importowane do USA: Sanven Technology Ltd., Suite 250, 9166 Anaheim Place, Rancho Cucamonga, CA 91730

EC	REP
-----------	------------

E-CrossStu GmbH
Mainzer Landstr.69, 60329 Frankfurt am Main.

UK	REP
-----------	------------

YH CONSULTING LIMITED.
C/O YH Consulting Limited Office 147, Centurion House,
London Road, Staines-upon-Thames, Surrey, TW18 4AX

VEVOR[®]

TOUGH TOOLS, HALF PRICE

Techniczny Wsparcie i certyfikat e-gwarancji

www.vevor.com/support

VEVOR[®]

TOUGH TOOLS, HALF PRICE

Technisch Ondersteuning en E-garantiecertificaat

www.vevor.com/support

ACCU-LOCK MACHINEBANKSCHROEF

MODEL:QM1680 / QM16100 / QM16125 /

QM1680G/Q16100G/QM16125G

QM16100N / QM16150U

We continue to be committed to provide you tools with competitive price.

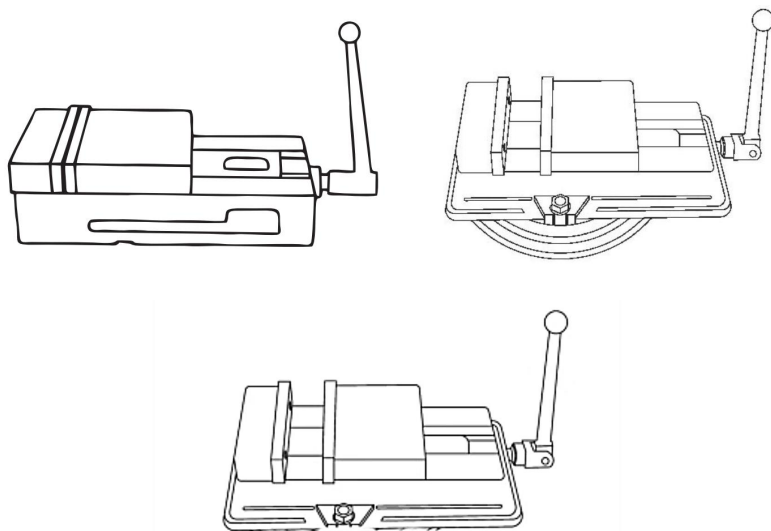
"Save Half", "Half Price" or any other similar expressions used by us only represents an estimate of savings you might benefit from buying certain tools with us compared to the major top brands and does not necessarily mean to cover all categories of tools offered by us. You are kindly reminded to verify carefully when you are placing an order with us if you are actually saving half in comparison with the top major brands.

VEVOR[®]

TOUGH TOOLS, HALF PRICE

ACCU-LOCK MACHINE VICE

MODEL: QM1680/QM16100/QM16125/QM1680 G /QM16100 G /QM16125 G/ QM16100N/QM16150U



NEED HELP? CONTACT US!

Have product questions? Need technical support? Please feel free to contact us:

Technical Support and E-Warranty Certificate
www.vevor.com/support

This is the original instruction, please read all manual instructions carefully before operating. VEVOR reserves a clear interpretation of our user manual. The appearance of the product shall be subject to the product you received. Please forgive us that we won't inform you again if there are any technology or software updates on our product.



Waarschuwing: om het risico op letsel te verkleinen, moet de gebruiker de gebruiksaanwijzing zorgvuldig lezen.

OPERATION MANUAL

XIX. HOOFDGEBRUIK EN PRESTATIES

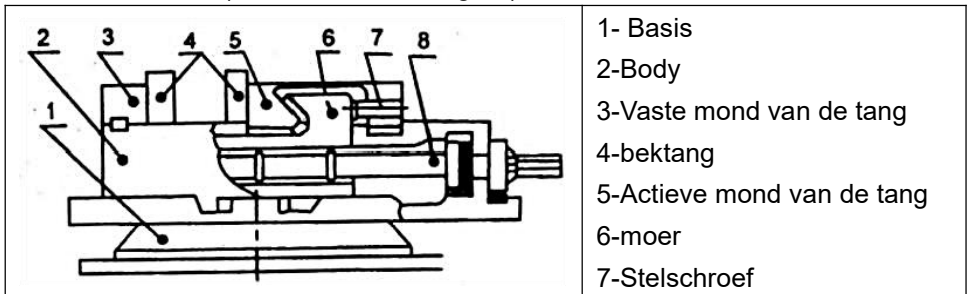
1. Dit product is een hoofdonderdeel van precisiefreesmachines geen machines,
2. Wanneer de mond van de tang actief is, kan de migratie van het niveau van de halve bol een verticale neerwaartse druk hebben, daarom klemt de werkstuk kan de boot niet boven water krijgen.
3. De mond van de tang opent de opening om te kunnen handelen volgens vier richtingveranderingen.

XX. Gebruikt en onderhoud

1. advertentie:Midden heeft een afstelbout in de actieve mond van de tang achter, gebruikt bij het verwijderen van de moer met tanglichaam tussen kloof, waardoor er tussen beide een correcte verbinding ontstaat, als er verbindingen zijn te strak, op de actieve mond van de tang kan de halve bol verschuiven, te los, geleideschroef en moer niet concentrisch, de geleideschroef gaat tijd is moeilijk.
2. Bij het transport en de bediening is het strikt verboden om te tikken en te botsen, anders kan de nauwkeurigheid niet worden gegarandeerd .
3. Om een soepele werking te garanderen, moeten alle actieve Onderdelen moeten regelmatig gesmeerd worden.

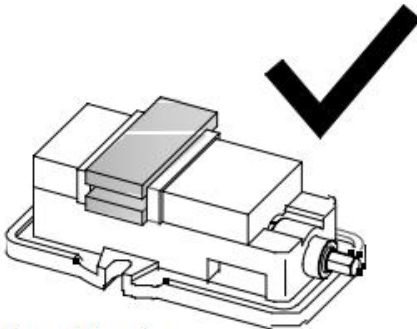
XXI. Hoofdstructuur en uitleg

- 1 . Hoofdstructuur (zie onderstaande figuur)



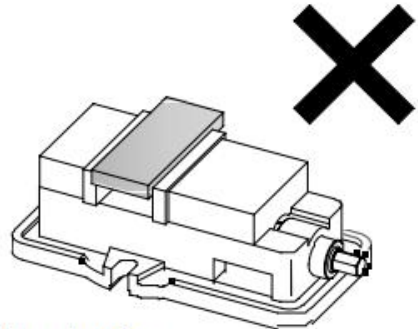
Let op: Vast type heeft geen serienummer 1

SCHEMATISCHE WEERGAVE VAN HET KLEMWERKSTUK



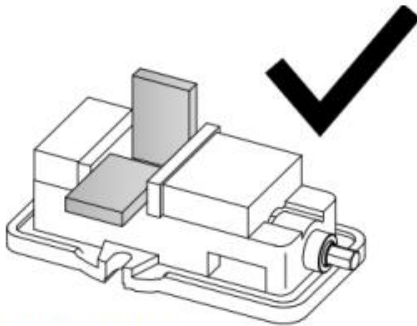
Correct clamping:

This clamping can make the jaws uniform force, will not be damaged jaws and body structure.



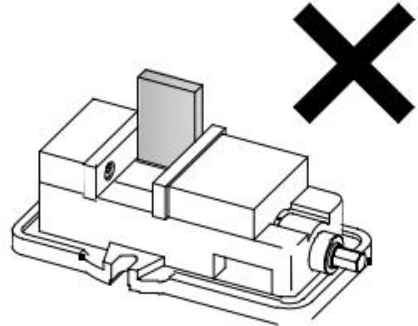
Error clamping:

Clamping directly in the air, there is no simultaneous force point below, resulting in the jaw tilting force, easy to damage the body structure.



Correct clamping:

This clamping can make the jaws uniform force, will not be damaged jaws and body structure.



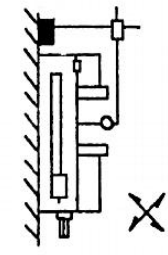
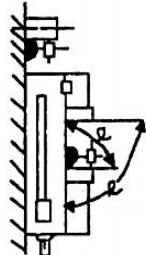
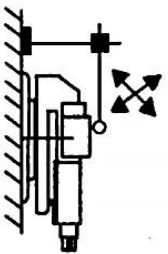
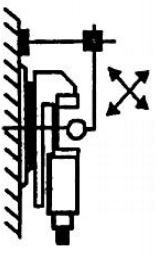
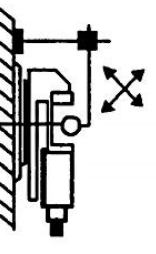
Error clamping:

One side clamping, and no gasket clamping at the same time on the other side force, will lead to uneven force on the jaws, resulting in the jaws change shape, damage.

MAIN SPECIFICATION

Model Sketch Map	QM1680	QM16100	QM16125	QM1680G	QM16100G	QM16125G	QM16100N	QM16150U	
	80mm	100mm	125mm	80mm	100mm	125mm	100mm	150MM	
	80mm	100mm	125mm	80mm	100mm	125mm	100mm	150MM	
	Mouth of the tongs width								
	Maximum opening								
	Mouth of the tongs	23mm	32mm	40mm	23mm	32mm	40mm	32mm	45mm
	Biggest clamping	15KN	19KN	24KN	15KN	19KN	24KN	19KN	29KN
	Localization width of key	14mm	14mm	14mm	14mm	14mm	14mm	14mm	18mm
	Diameter of bolt	M12	M12	M12	M12	M12	M12	/	/

PRECISION CHECK LIST

Examination project	Testing sketch	Accuracy	mm	Vice body guide rail first tone facing bottom plan parallelism		In 100 survey lengths 0.02	Examination block first tone facing vice body bottom surface parallelism	Testing sketch	Accuracy In 100 survey lengths 0.03	mm
Fixed mouth of the gongs surface and active mouth of the tongs facing guide rail on plane verticality		In 100 survey lengths $0.05\alpha < 90^\circ$		Examination block first tone facing foundation bottom plane parallelism		In 100 survey lengths 0.04				
Guide rail first tone facing bottom plane parallelism		In 100 survey lengths 0.02	On examination block plane gradient		0.04					

Fabrikant: Shanghaimuxinmuyeyouxiangongsi

Adres: Shuangchenglu 803nong11hao1602A-1609shi, baoshanqu, shanghai 200000 CN.

Geïmporteerd naar AUS: SIHAO PTY LTD, 1 ROKEVA STREETEASTWOOD NSW 2122 Australië

Geïmporteerd naar de VS: Sanven Technology Ltd., Suite 250, 9166 Anaheim Place, Rancho Cucamonga, CA 91730

EC	REP
-----------	------------

E-CrossStu GmbH
Mainzer Landstr.69, 60329 Frankfurt am Main.

UK	REP
-----------	------------

YH CONSULTING LIMITED.
C/O YH Consulting Limited Office 147, Centurion House,
London Road, Staines-upon-Thames, Surrey, TW18 4AX

VEVOR[®]

TOUGH TOOLS, HALF PRICE

Technisch Ondersteuning en E-garantiecertificaat

www.vevor.com/support

VEVOR[®]

TOUGH TOOLS, HALF PRICE

Teknisk Support och e-garanticertifikat

www.vevor.com/support

ACCU-LOCK MASKIN VICE

MODELL: QM1680 / QM16100 / QM16125 /

QM1680G/Q16100G/QM16125G

QM16100N / QM16150U

We continue to be committed to provide you tools with competitive price.

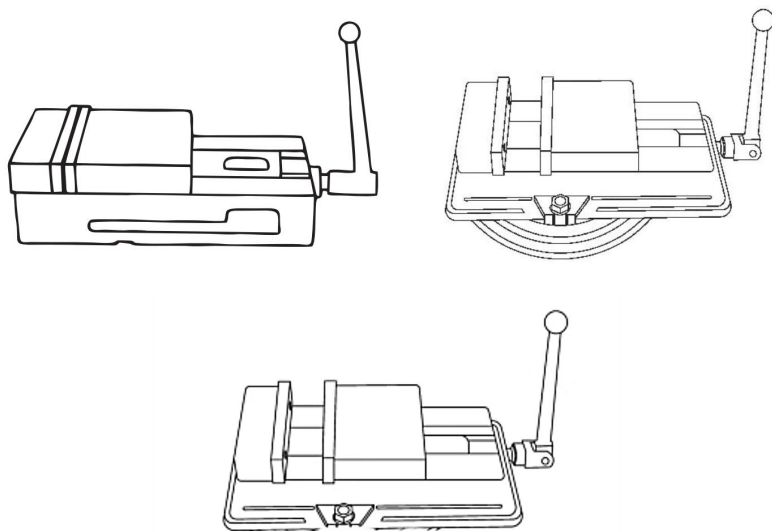
"Save Half", "Half Price" or any other similar expressions used by us only represents an estimate of savings you might benefit from buying certain tools with us compared to the major top brands and does not necessarily mean to cover all categories of tools offered by us. You are kindly reminded to verify carefully when you are placing an order with us if you are actually saving half in comparison with the top major brands.

VEVOR®

TOUGH TOOLS, HALF PRICE

ACCU-LOCK MACHINE VICE

MODELL: QM1680/QM16100/QM16125/QM1680 G /QM16100 G /QM16125 G/ QM16100N/QM16150U



NEED HELP? CONTACT US!

Have product questions? Need technical support? Please feel free to contact us:

Technical Support and E-Warranty Certificate
www.vevor.com/support

This is the original instruction, please read all manual instructions carefully before operating. VEVOR reserves a clear interpretation of our user manual. The appearance of the product shall be subject to the product you received. Please forgive us that we won't inform you again if there are any technology or software updates on our product.



Varning - För att minska risken för skada måste användaren läsa instruktionerna noggrant.

OPERATION MANUAL

XXII. HUVUDSAKLIGA ANVÄNDNING OCH PRESTANDA

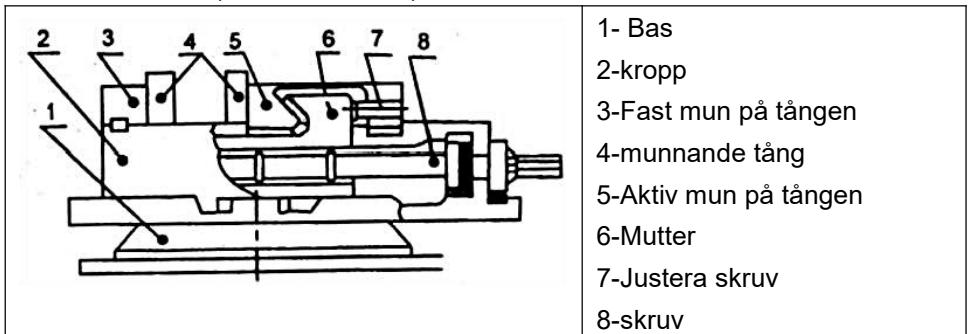
- 1 . Denna produkt är huvudtillbehör till precisionsfräsmaskiner inga maskiner,
- 2 . När aktiv mynning av tången nivå migration, Ovanför den halva sfären kan ha ett vertikalt nedåtriktat tryck, därför klämman arbetsstycket kan inte ytan på båten.
- 3 . Tångens mynning öppnar öppningen för att kunna agera enligt fyra riktningförändringar.

XXIII. Använder och underhåller

- 1 . annons: Mitten har en justerbult i den aktiva munnen på tång bakom, används för att eliminera muttern med tångkroppen mellan gap, möjliggör mellan båda för att få en korrekt anslutning, om ansluter för hårt, på den aktiva munnen på tången kan halva sfären förskjutas också lös, styrskruv och mutter inte koncentrisk, styrskraven passerar tiden är svår.
- 2 . Vid transport och operation, förbjud strikt rap och kollision, annars kan precisionen inte garanteras.
- 3 . För att garantera att operationen är smidig, alla aktiva delar måste smörjas ofta.

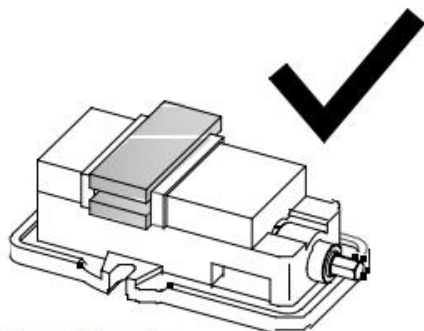
XXIV. Huvudstruktur och förklaring

- 1 . Huvudstruktur (se bilden nedan)



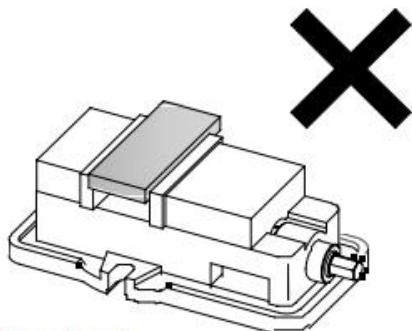
Obs: Fast typ har inte serienummer 1

SCHEMATISK BILD AV DET SPÄNNANDE ARBETSSTYCKET



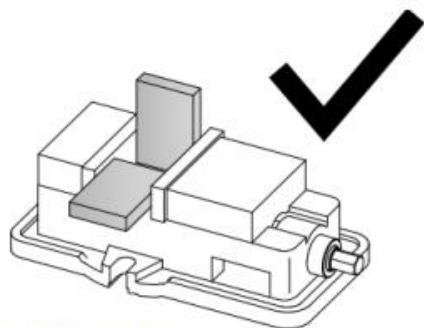
Correct clamping:

This clamping can make the jaws uniform force, will not be damaged jaws and body structure.



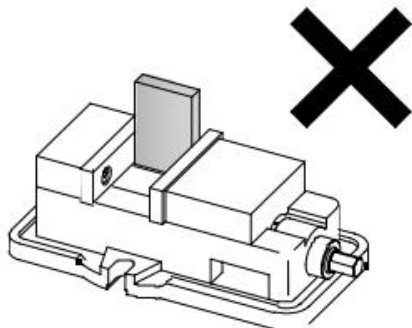
Error clamping:

Clamping directly in the air, there is no simultaneous force point below, resulting in the jaw tilting force, easy to damage the body structure.



Correct clamping:

This clamping can make the jaws uniform force, will not be damaged jaws and body structure.



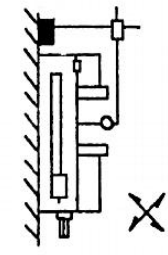
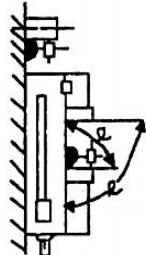
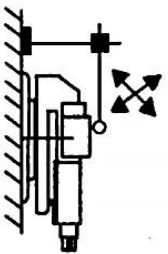
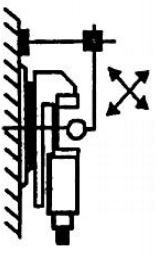
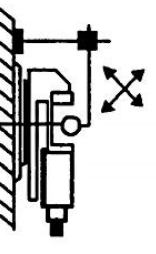
Error clamping:

One side clamping, and no gasket clamping at the same time on the other side force, will lead to uneven force on the jaws, resulting in the jaws change Shape, damage.

MAIN SPECIFICATION

Model Sketch Map	QM1680	QM16100	QM16125	QM1680G	QM16100G	QM16125G	QM16100N	QM16150U
	80mm	100mm	125mm	80mm	100mm	125mm	100mm	150MM
	80mm	100mm	125mm	80mm	100mm	125mm	100mm	150MM
	23mm	32mm	40mm	23mm	32mm	40mm	32mm	45mm
	15KN	19KN	24KN	15KN	19KN	24KN	19KN	29KN
	14mm	14mm	14mm	14mm	14mm	14mm	14mm	18mm
	M12	M12	M12	M12	M12	M12	/	/

PRECISION CHECK LIST

Examination project	Testing sketch	Accuracy	mm	Vice body guide rail first tone facing bottom plan parallelism		In 100 survey lengths 0.02	Examination block first tone facing vice body bottom surface parallelism	Testing sketch	Accuracy In 100 survey lengths 0.03	mm
Fixed mouth of the gongs surface and active mouth of the tongs facing guide rail on plane verticality		In 100 survey lengths $0.05\alpha < 90^\circ$		Examination block first tone facing foundation bottom plane parallelism		In 100 survey lengths 0.04				
Guide rail first tone facing bottom plane parallelism		In 100 survey lengths 0.02	On examination block plane gradient		0.04					

Tillverkare: Shanghaimuxinmuyeyouxiangongsi

Address: Shuangchenglu 803nong11hao1602A-1609shi, baoshanqu, shanghai 200000 CN.

Importerad till AUS: SIHAO PTY LTD, 1 ROKEVA STREETEASTWOOD NSW 2122 Australien

Importerad till USA: Sanven Technology Ltd., Suite 250, 9166 Anaheim Place, Rancho Cucamonga, CA 91730

EC	REP
-----------	------------

E-CrossStu GmbH
Mainzer Landstr.69, 60329 Frankfurt am Main.

UK	REP
-----------	------------

YH CONSULTING LIMITED.
C/O YH Consulting Limited Office 147, Centurion House,
London Road, Staines-upon-Thames, Surrey, TW18 4AX

VEVOR[®]

TOUGH TOOLS, HALF PRICE

Teknisk Support och e-garanticertifikat

www.vevor.com/support