

VEVOR[®]

TOUGH TOOLS, HALF PRICE

Technical Support and E-Warranty Certificate

www.vevor.com/support

Air Operated Double Diaphragm Pump Instructions

**MODEL: QBK-40L / QBY4-50L / QBY4-25L /
QBY4-25LF46 / QBY-15PP / QBK-15P / QBK-15**

We continue to be committed to provide you tools with competitive price.

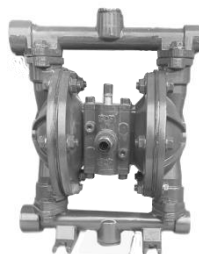
"Save Half", "Half Price" or any other similar expressions used by us only represents an estimate of savings you might benefit from buying certain tools with us compared to the major top brands and does not necessarily mean to cover all categories of tools offered by us. You are kindly reminded to verify carefully when you are placing an order with us if you are actually saving half in comparison with the top major brands.

VEVOR®

TOUGH TOOLS, HALF PRICE

Air Operated Double Diaphragm Pump

MODEL: QBK-40L/QBY4-50L/QBY4-25L/QBY4-25LF46/QBY-15PP/QBK-15P/QBK-15



NEED HELP? CONTACT US!

Have product questions? Need technical support? Please feel free to contact us:

Technical Support and E-Warranty Certificate
www.vevor.com/support

This is the original instruction, please read all manual instructions carefully before operating. VEVOR reserves a clear interpretation of our user manual. The appearance of the product shall be subject to the product you received. Please forgive us that we won't inform you again if there are any technology or software updates on our product.



Warning-To reduce the risk of injury, user must read instructions manual carefully.

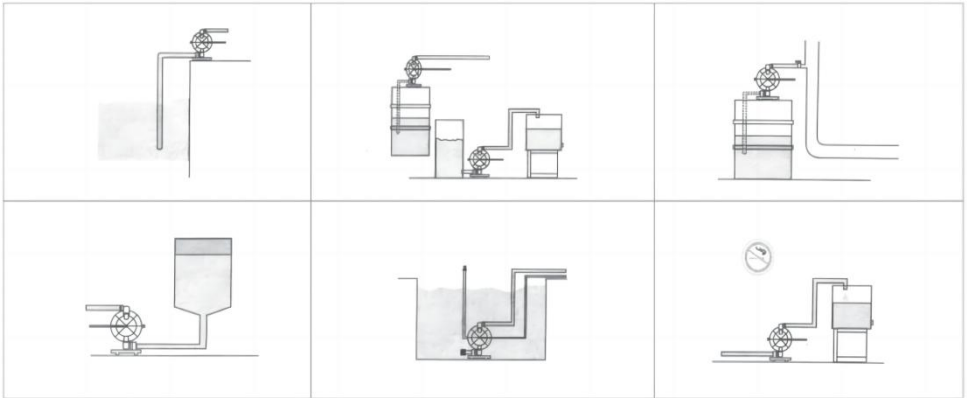
PRODUCT PRESENTATION

This series of diaphragm pumps are the latest model at home. They are functioned to take out and suck in various corrosive liquid containing granules, viscous, volatile, inflammable, explosive or poisonous liquid, porcelain slurry, mashed fruit, flue. the reclamation of residual oil in tanker. temporary reversion of tanker, etc. The performance parameters of this series are close to that of German WLLDENPUMPS and American MARI0-WPUMPS. The components in contact with flow are made of stainless steel, aluminium alloy, cast iron and engineering plastics. while diaphragm may be NBR, viton, neoprene or PTFE.

MAIN APPLICATION

1. The Pump can suck the peanut, pickles, tomato, slurry, red sausage, chocolate, hops, and syrup, etc.
2. The Pump can suck the paint, pigment, glue and adhesive etc.;
3. The pump can suck various glazed slurries of tile, porcelain, brick and chinaware etc.
4. The pump can suck various grinding materials, corrosive agent and clean the oil dirt etc.
5. The pump can suck various toxin and flammable or volatility liquid etc.
6. The pump can suck various wedge water, cement slurry and mortar etc
7. The pump can suck various strong acid, alkali and corrosive liquid etc.
8. It can be used as a front-step transmission device of the solid and liquid separation equipment.

WAY TO INSTALL



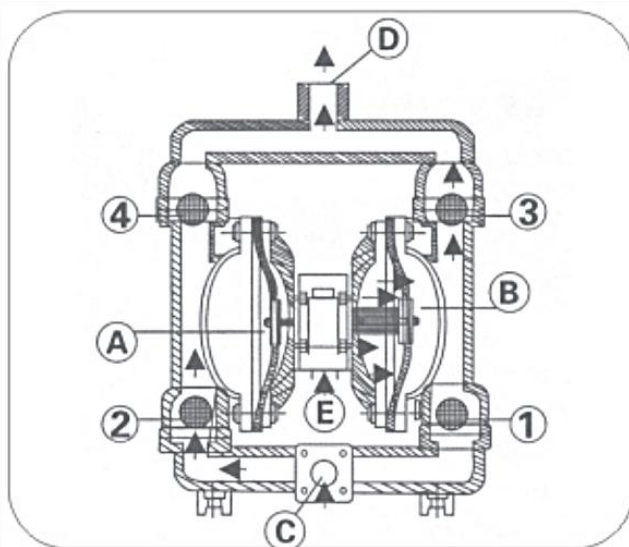
PERFORMANCE CHARACTERISTICS

Air operated double diaphragm pumps not only can exhaust the flow liquid, But also convey some uneasy flowed medium with the merits of self-pumping pump, Diving pump, Shield pump, Slurry pump and impurity pump etc

1. It's unnecessary to pour the drawing water, the suction lift reaches 7m height, The delivery lift reaches 50m length and the export pressure $>6\text{kgf/cm}^2$;
2. Wide flow and good performance. The diameter allowed to pass the max grain reaches 10mm. The damage is very less to the pump while exhausting the slurry and impurity;
3. The delivery life and flow can pass the pneumatic valve open to realize the stepless adjustment (The pneumatic pressure adjustment is between $2\text{--}8\text{kgf/cm}^2$):
4. This pump has no rotary parts and no bearing seals. The diaphragm will completely separate the exhausted medium and pump running parts, working medium. The conveyed medium can't be leaked outside. Thus it will not cause the environment pollution and human body safety dangerous while exhausting the toxin and flammable or corrosive medium:

- 5.No electricityt's safe and reliable while using in the flammable and explore places:
- 6.It can be soakedin medium;
- 7.It's convenient to use and reliable to work.Only open or close the gas valve body while starting or stopping.Even itno medium operation or pausing suddenly for long time because of accident matters,the pump wil not bedamagedaused bvthis Once ocer-oadinc.The pump wil automatically stop and possesses the selfrotectionfunction.when the loarecovers normally,It also can start automaticelly;
- 8.Simple structure and less wearing parts.Thisp pump is simple in structure.Installation and maintenance.The me dium conveyecbythe pumpwillnot touch the matched pneumatic valve and coupling lever etc.Not like other kinds pumps ,the perform Ancewill drop down graduallydecauseof the damages of rotor,gear and vane etc.
- 9.It can transmit the adhesive(the viscosity is below 10000 centipoise)
- 10.This pump needn't the oil lubricant.Even if idling,it has any influence to the pump.This isa characteristic of this pump

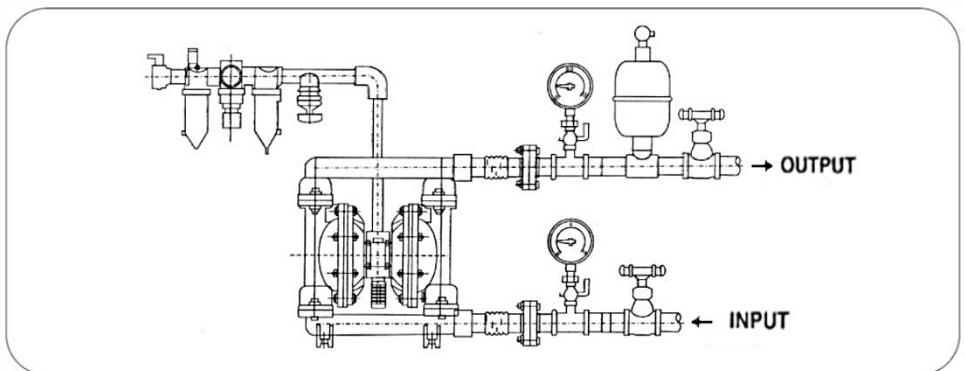
OPERATIONAL PRINCIPLE



There installs each diaphragm in both aligned working cavities(A)&(B),which can be connected together with a central coupling lever. The compression air enters the air distribution valve from the air entrance of the pump, the compression air into one cavity through the air distribution mechanism, push out the diaphragm movement in the cavity. The gas in another cavity will be drained. Once reaching the stroke terminal, the air distribution mechanism will automatically draw the compression air into another working cavity, push out the diaphragm to move towards the opposite direction, so as to let the both diaphragms continuously reciprocate motion in synchronism.

The compression air enters the air distribution valve from (E) shown as the diagram, let the diaphragm piece move towards the right direction. And the suction force in (A) chamber lets the medium flow into from (C) entrance, push out the ball valve (2) to enter (A) chamber, the ball valve (4) will be locked due to the suction force; The medium in (B) chamber will be pressed and push out the ball valve (3) to flow out from the exit (D). Meanwhile, let the ball valve (1) close, prevent backflow. Such movement in circles will let the medium uninterruptedly suck from (C) entrance and drain from (D) exit.

CONNECTION SCHEMATIC DIAGRAM



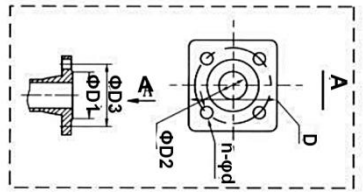
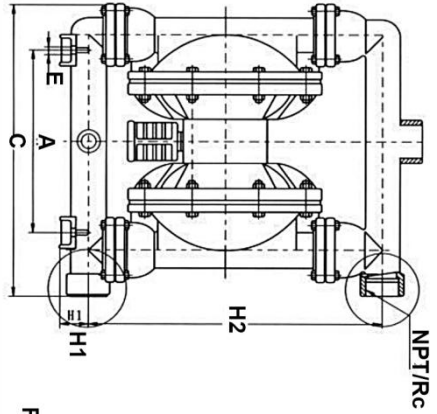
PERFORMANCE PARAMETE

Model	Qmax (GPM)	Hmax (m)	pressUse (kgf/cm ²)	Sucked lift (m)	Max grain Dia (mm)	Max pressure (kgf/cm ²)	MWPP (PSI)	Pump	
								Air Inlet Size	Inlet and outlet size
QBK-40L	44	69	6.9	5	4.5	7	115	FNPT 1/4"	1.5"
QBY4-50L	75	75	8.0	7	8.0	8	113	FNPT 1/4"	2.0"
QBY4-25L	22	73	8.0	7	4.0	8	100	FNPT 1/4"	1.0"
QBY4- 25LF46	24	70	8.0	7	4.0	8	100	FNPT 1/4"	1.0"
QBY-15PP	2.5	50	6.0	5	1.0	7	80	FNPT 1/4"	1/2"
QBK-15P	3	60	6.9	5	1.0	7	90	FNPT 1/4"	1/2"
QBK-15	3	60	6.9	5	1.0	7	90	FNPT 1/4"	1/2"

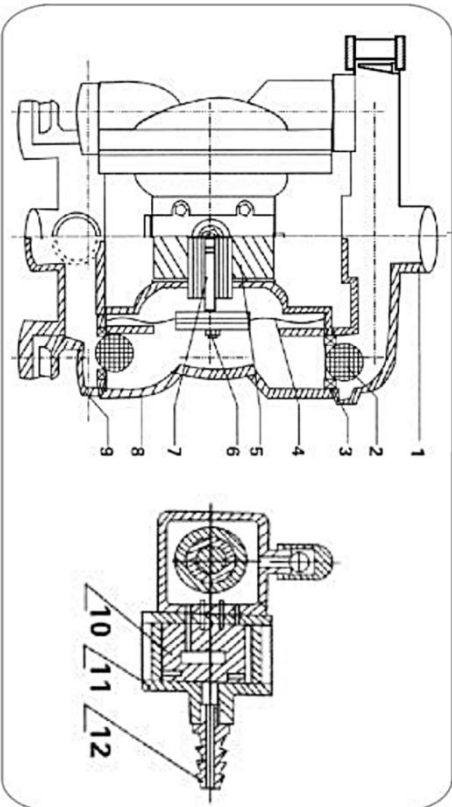
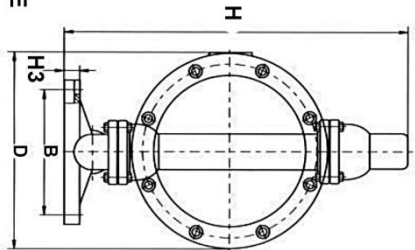
Note: Affected by the stability of gas supply and the environment, the parameters may have certain fluctuations or errors, which is a normal phenomenon.

QBK INSTALLATION SIZE CHART

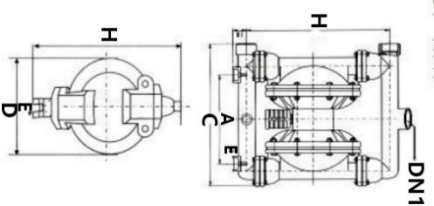
QBK - 10 Structural drawing	
01. Outlet pipe	02. Ball sealer
03. Seal seat	04. Diaphragm vane
05. Intermediate	06. Connecting components
07. Copper roads	08. Pump body
09. Inlet pipe	10. Valve ply
12. Admi ion piece	13. Air distribution valve



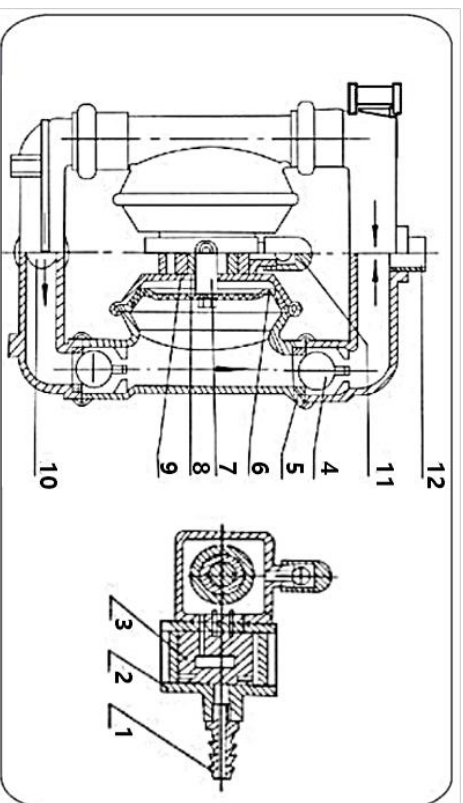
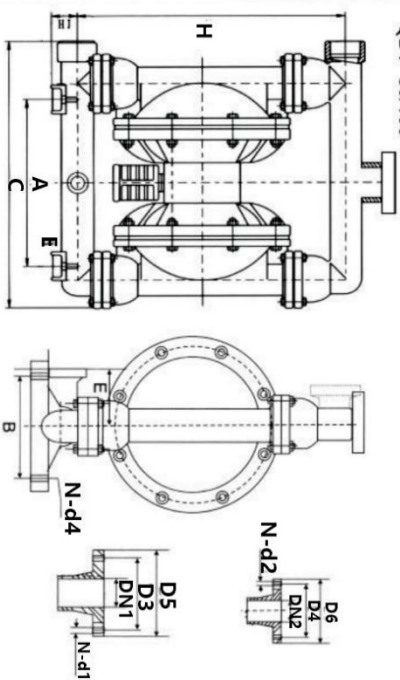
FLANG CONNECTION TYPE



QBY-10/40



QBY-50/100



QBY-50~100 Structural drawing

01. Adm ion piece	02. Air distribution valve
03. Air distribution valve	04. Ball sealor
05. Seal seat	06. Diaphragm vane
07. Connecting components	08. Copper roads
09. Intermediate	10. Int pipe
11. Air outlet	12. Outlet pipe

Model	A	B	D5	D6	C	H	H1	H2	DH1	DN2	N-d1	N-d2	D3	D4	E	N-d4	Outside diameter of ar inlet	Materials
QBY-10	135	53	/	/	190	235	35	220	3/8" Threaded	/	/	/	/	/	12	/	8	(HT200) (ZL104)
QBY-15	135	53	/	/	190	235	35	220	1/2" Threaded	/	/	/	/	/	12	/	8	(1Cr18Ni9Ti) (PP)
QBY-25	255	150	100	100	380	530	70		1" Threaded	1"	4-φ11	4-φ11	75	75	55	4-φ10	10	(PP) inports and exports are facing the edge
QBY-40	255	150	130	120	380	530	70		1 1/2" Threaded	1 1/2" Threaded	4-φ13.5	4-φ13.5	100	90	55	4-φ10	10	
QBY-25	220	160	100	100	370	460	50	410	1" Threaded	1"	4-φ11	4-φ11	75	75	80	4-φ12	10	(HT200)
QBY-40	220	160	130	120	370	460		410	1 1/2" Threaded	1 1/4" Threaded	4-φ13.5	4-φ13.5	100	90		4-φ12	10	(HT200)
QBY-50	340	215	140	140	550	715	95		2" flange	2"	4-φ13.5	4-φ13.5	110	110	145	4-φ17.5	12	(1Cr18Ni9Ti)
QBY-65	340	215	160	140	550	715	95		2 1/2" flange	2 1/2" flange	4-φ13.5	4-φ13.5	130	130	145	4-φ17.5	12	
QBY-80	360	260	190	190	580	950	100		3" flange	3" flange	4-φ17.5	4-φ17.5	150	150	130	4-φ17.5	12	(ZL104)
QBY-100	360	260	210	190	580	950	100		4" flange	3" flange	4-φ17.5	4-φ17.5	170	170	130	4-φ17.5	12	

Note:QBY-10 and 15 cast iron/aluminum/stainless steel/plastic material import and export are threaded connection,not blue.QBY-25and 40 stainless steel/plastic material import and export are threaded connection,not blue,cast iron /aluminum alloy and export are flanged,threaded connection dual-use.QBY-50/65/80/100 are flanged,no threaded.(Please refer to actual sample product catalogpictures)

STRUCTURE DRAWING AND PARTS LIST



No.	Name	Qty	Material
1	Inlet pipe	1	Stainless steel, cast iron, aluminium alloy, plastic, inner lining FEP
2	Outlet pipe	1	Stainless steel, cast iron, aluminium alloy, plastic, inner lining FEP
3	Pump body	2	Stainless steel, cast iron, aluminium alloy, plastic, inner lining FEP
4	Pump chamber	2	Aluminium alloy, cast iron
5	Intermediate	1	Aluminium alloy
6	Diaphragm vane	2	PTFE
7	Diaphragm vane	2	Acrylonitrile butadiene rubber, polychloroprene
8	Intermediate seal gasket	2	Acrylonitrile butadiene rubber
9	Driving shaft housing	2	Plastic
10	Connecting rod shaft housing	2	Plastic
11	Piston bush	2	Plastic
12	Piston	2	Plastic
13	Slipper block	1	Aluminium alloy
14	Slipper block	1	Chromium-plated steel
15	Sealing slip ring	1	Plastic
16	Driving slipper block	1	Plastic
17	Cover plate	1	Aluminium alloy
18	Cover plate gasket	1	Rubber
19	Muffler	1	Plastic
20	Seal seat	4	Rubber
21	Seal seat	4	PTFE
22	Clamping bar	4	Stainless steel, carbon steel
23	Connecting rod	1	Stainless steel
24	Compression spring	1	Copper
25	Driving shaft	1	Stainless steel
26	Seal ring of driving shaft	2	Rubber
27	Y-type O-ring	4	Rubber
28	O-ring	1	Rubber
29	Butterfly-type O-ring	1	Rubber
30	Inlet nozzle	1	Copper
31	Ball sealer	4	Rubber
32	Ball sealer	4	Stainless steel, ceramic, PTFE

MATTERS NEED ATTENTION

- 1.If the pump vibration is very slight,there is generally no need to install the foundation bolts.
- 2.If the compressed air is mixed with dirty things,normal starting of the pump will be influenced.It is suggested that the usershould additionally install the pneumatic triplex parts.
- 3.When pumping media that will easily freeze or deposit,please install a valve at the inlet of the pump.If the pump is to bestopped,please firstly close the valve,and then run the pump for several minutes to empty the media inside the pump and cleanthe accumulated liquid inside the pump in time,so as to avoid any difficulties in starting the pump next time.
- 4.When replacing the diaphragm,please clean the connecting rod in the inner cavity and the copper bush of the pump.And avoiddamaging the white PTFE seal ring.Make the reassembly as original,and the pump can be used.

FAULT AND EXCLUSION

Malfunction forms	Causes	Troubleshooting
No water comes out from the pump or the flow is insufficient.	<ol style="list-style-type: none"> 1、 The air pressure is insufficient. 2、 The flow channel of the pump cavity is blocked 3、 The valve is not opened 	<ol style="list-style-type: none"> 1、 Add the air pressure 2、 Open the pump cavity for cleaning 3、 Open the valve
The pump stops its operation	<ol style="list-style-type: none"> 1、 The air distribution valve is damaged 2、 The diaphragm is damaged 3、 The muffler is blocked 4、 Air leakage occurs in the connecting rod seal 	<ol style="list-style-type: none"> 1、 Repair or replace the air distribution valve 2、 Replace the diaphragm 3、 Clean the muffler. 4、 Replace the connecting rod seal
The lift is too low	<ol style="list-style-type: none"> 1、 The suction valve is damaged 2、 The flow is too high 3、 The air pressure is too low 	<ol style="list-style-type: none"> 1、 Shorten the pipe and reduce elbows 2、 Turn down the drain valve. 3、 Add the air pressure
The noise is too low	<ol style="list-style-type: none"> 1、 The muffler is broken 	<ol style="list-style-type: none"> 1、 Add the air pressure.

Made In China

VEVOR[®]

TOUGH TOOLS, HALF PRICE

Technical Support and E-Warranty Certificate

www.vevor.com/support

VEVOR[®]

TOUGH TOOLS, HALF PRICE

Technique Assistance et certificat de garantie électronique

www.vevor.com/support

Double à commande pneumatique Pompe à membrane Instructions

**MODÈLE: QBK-40L / QBY4-50L / QBY4-25L /
QBY4-25LF46 / QBY-15PP / QBK-15P / QBK-15**

We continue to be committed to provide you tools with competitive price. "Save Half", "Half Price" or any other similar expressions used by us only represents an estimate of savings you might benefit from buying certain tools with us compared to the major top brands and does not necessarily mean to cover all categories of tools offered by us. You are kindly reminded to verify carefully when you are placing an order with us if you are actually saving half in comparison with the top major brands.

VEVOR®

TOUGH TOOLS, HALF PRICE

Air Operated Double Diaphragm Pump

MODÈLE: QBK-40L/QBY4-50L/QBY4-25L/QBY4-25LF46 /

QBY-15PP/QBK-15P/QBK-15



NEED HELP? CONTACT US!

Have product questions? Need technical support? Please feel free to contact us:

Technical Support and E-Warranty Certificate
www.vevor.com/support

This is the original instruction, please read all manual instructions carefully before operating. VEVOR reserves a clear interpretation of our user manual. The appearance of the product shall be subject to the product you received. Please forgive us that we won't inform you again if there are any technology or software updates on our product.



Avertissement : Pour réduire le risque de blessure, l'utilisateur doit lire attentivement le manuel d'instructions.

PRODUCT PRESENTATION

Cette série de pompes à membrane est le dernier modèle à la maison. fonctionné pour retirer et aspirer divers liquides corrosifs contenant des granules, visqueux, volatils, inflammables, explosifs ou liquide toxique, boue de porcelaine, purée de fruits, conduit de fumée. récupération du pétrole résiduel dans le pétrolier. réversion temporaire du pétrolier, etc., les paramètres de performance de cette série sont proches de merde de Pompes WLLDEN allemandes et pompes MARIO-WP américaines. Les composants en contact avec le flux sont en acier inoxydable, en alliage d'aluminium, en fonte et en plastiques enineerina, tandis que le diaphragme peut être en NBR.viton.néoprène ou PTFE .

MAIN APPLICATION

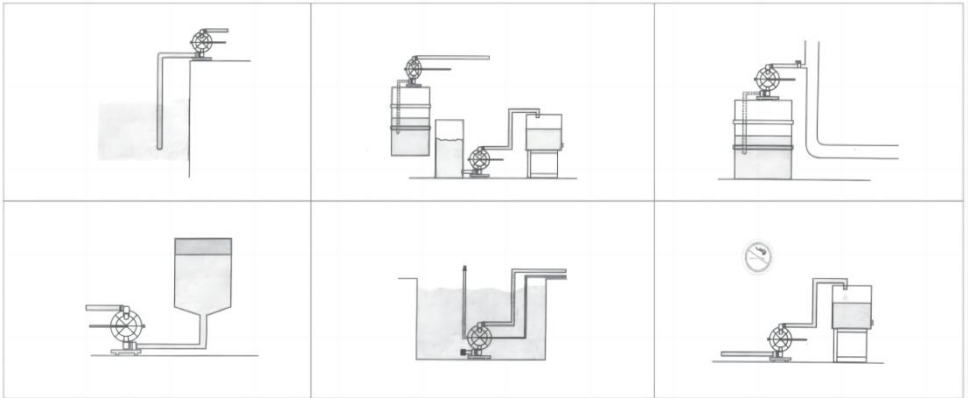
1. La pompe peut aspirer les cacahuètes, les cornichons, les tomates, le lisier, les saucisses rouges, le chocolat, le houblon et sirop, etc.
2. La pompe peut aspirer la peinture, le pigment, la colle et l'adhésif, etc.
3. La pompe peut aspirer diverses boues glacées de carrelage, de porcelaine, de brique et de porcelaine, etc.
4. La pompe peut aspirer divers matériaux de broyage, agents corrosifs et nettoyer la saleté d'huile, etc.
5. La pompe peut aspirer diverses toxines et liquides inflammables ou volatils, etc.
6. La pompe peut aspirer diverses eaux de cale, coulis de ciment et mortier,

etc.

7. La pompe peut aspirer divers acides forts, alcalins et liquides corrosifs, etc.

8. Il peut être utilisé comme dispositif de transmission à l'avant de l'équipement de séparation solide et liquide.

WAY TO INSTALL



PERFORMANCE CHARACTERISTICS

Les pompes pneumatiques à double membrane peuvent non seulement évacuer le liquide d'écoulement, mais également transporter un fluide à écoulement difficile avec les mérites d'une pompe auto-pompante, d'une pompe de plongée, d'une pompe de bouclier, d'une pompe à lisier et d'une pompe à impuretés, etc.

1. Il n'est pas nécessaire de verser l'eau de puisage, la hauteur d'aspiration atteint 7 m de hauteur, la hauteur de livraison atteint 50 m de longueur et la pression d'exportation $>6 \text{ kgf/cm}^2$;
2. Large débit et bonnes performances. Le diamètre autorisé à laisser passer le grain maximum atteint 10 mm. Les dommages sont très moindres. à la pompe tout en évacuant la boue et les impuretés ;
3. La durée de livraison et le débit peuvent laisser passer la valve pneumatique ouverte pour réaliser un ajustement continu (le réglage de la pression pneumatique est compris entre 2 et 8 kgf/cm^2) ;
4. Cette pompe n'a pas de pièces rotatives ni de joints de roulement. Le diaphragme séparera complètement les pièces de fonctionnement de la pompe à fluide épuisées, le fluide de travail. Le fluide transporté ne peut pas fuir à l'extérieur. Ainsi, il ne causera pas de pollution de

l'environnement et de sécurité du corps humain tout en épuisant la toxine et produits inflammables ou corrosifs :

5. Aucune électricité n'est sûre et fiable lors de l'utilisation dans des endroits inflammables et explorés :

6. Il peut être trempé dans un milieu ;

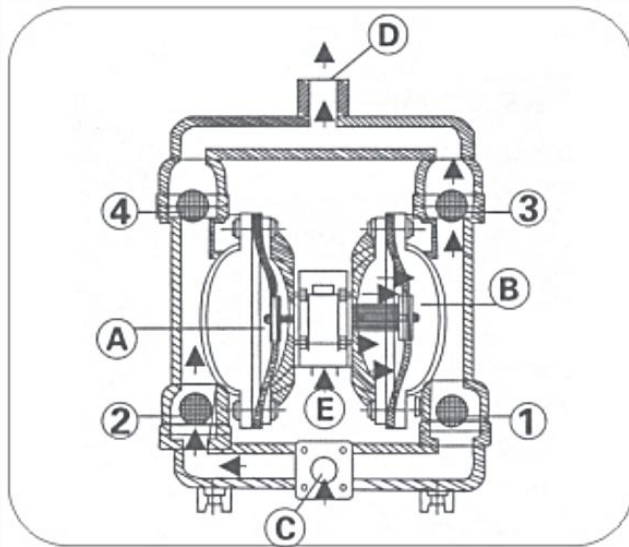
7. Il est pratique à utiliser et fiable à travailler. Ouvrez ou fermez uniquement le corps de la vanne de gaz lors du démarrage ou de l'arrêt. Même sans fonctionnement moyen ou sans pause soudaine pendant une longue période en raison d'accidents, la pompe ne sera pas endommagée une fois utilisée. La pompe s'arrêtera automatiquement et possède la fonction d'auto-protection. Lorsque le courant se rétablit normalement, elle peut également démarrer automatiquement ;

8. Structure simple et moins de pièces d'usure. Cette pompe est simple dans sa structure. rotor, engrenage et palette, etc.

9. Il peut transmettre l'adhésif (la viscosité est inférieure à 10 000 centipoises).

10. Cette pompe n'a pas besoin d'huile lubrifiante. Même au ralenti, elle a une influence sur la pompe. C'est une caractéristique de cette pompe

OPERATIONAL PRINCIPLE

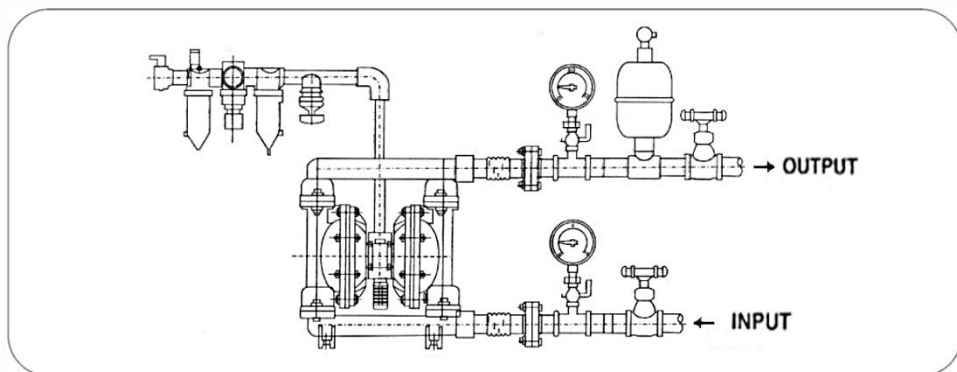


Chaque diaphragme est installé dans les deux cavités de travail alignées (A) et (B), qui peuvent être connectées ensemble avec un levier de couplage central. L'air de compression pénètre dans la vanne de distribution d'air depuis l'entrée d'air de la pompe, l'air de compression dans une cavité à travers l'air. Mécanisme de distribution, poussez le mouvement du diaphragme dans la cavité. Le gaz dans une autre cavité sera drainé. Une fois atteint le terminal de course, le mécanisme de distribution d'air aspirera automatiquement l'air de compression dans une autre cavité de travail, poussera le diaphragme pour se déplacer vers l'opposé. direction, de manière à laisser les deux diaphragmes effectuer un mouvement alternatif continu en synchronisme.

L'air de compression entre dans la vanne de distribution d'air à partir de (E) indiqué sur le schéma, laissez la pièce de membrane se déplacer vers la bonne direction. Et la force d'aspiration dans la chambre (A) laisse le fluide s'écouler depuis l'entrée (C). , poussez le robinet à tournant sphérique (2) pour entrer dans la chambre (A), le robinet à tournant sphérique (4) sera verrouillé en raison de la force d'aspiration ; le fluide dans la chambre (B) sera pressé et poussez le robinet à tournant sphérique (3) pour s'écouler. de la

sortie (D). Pendant ce temps, laissez le robinet à tournant sphérique (I) se fermer, empêchez le reflux. Un tel mouvement en cercle permettra au fluide d'aspirer sans interruption de l'entrée (C) et de s'écouler de la sortie (D).

CONNECTION SCHEMATIC DIAGRAM

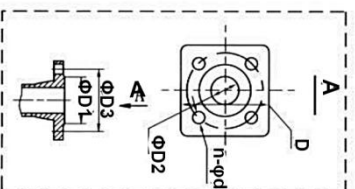
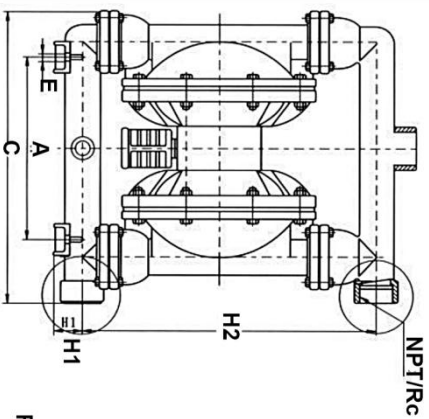


PERFORMANCE PARAMETE

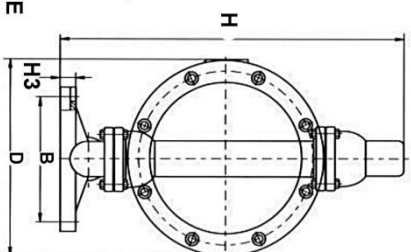
Model	Qmax (GPM)	Hmax (m)	pressUSE (kgf/cm ²)	Sucked lift (m)	Max grain Dia (mm)	Max pressure (kgf/cm ²)	MWPP (PSI)	Pump	
								Air Inlet Size	Inlet and outlet size
QBK-40L	44	69	6.9	5	4.5	7	115	FNPT 1/4"	1.5"
QBY4-50L	75	75	8.0	7	8.0	8	113	FNPT 1/4"	2.0"
QBY4-25L	22	73	8.0	7	4.0	8	100	FNPT 1/4"	1.0"
QBY4- 25LF46	24	70	8.0	7	4.0	8	100	FNPT 1/4"	1.0"
QBY-15PP	2.5	50	6.0	5	1.0	7	80	FNPT 1/4"	1/2"
QBK-15P	3	60	6.9	5	1.0	7	90	FNPT 1/4"	1/2"
QBK-15	3	60	6.9	5	1.0	7	90	FNPT 1/4"	1/2"

Note: Affected by the stability of gas supply and the environment, the parameters may have certain fluctuations or errors, which is a normal phenomenon.

QBK INSTALLATION SIZE CHART

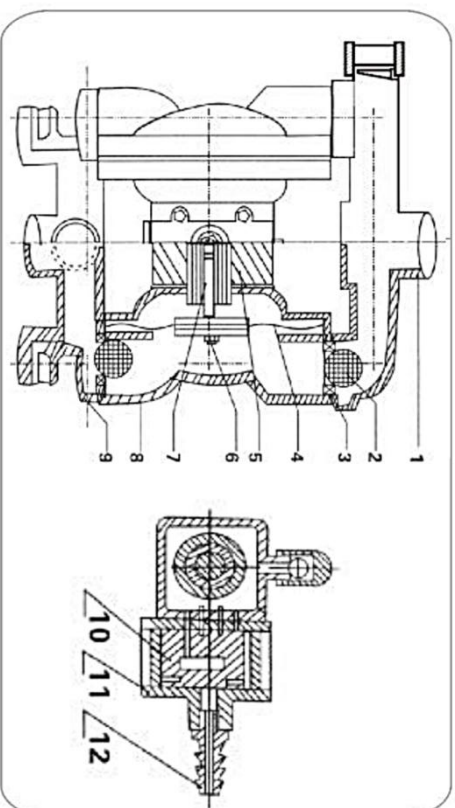


FLANG CONNECTION TYPE

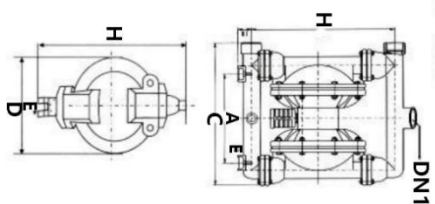


QBV - 40 Structural drawing

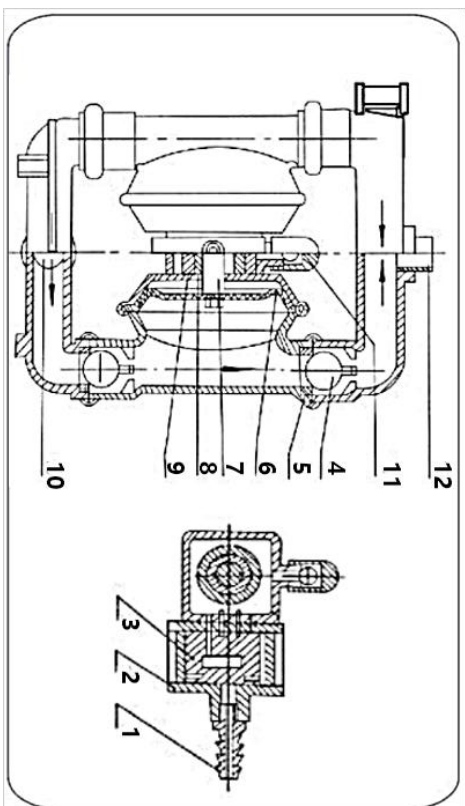
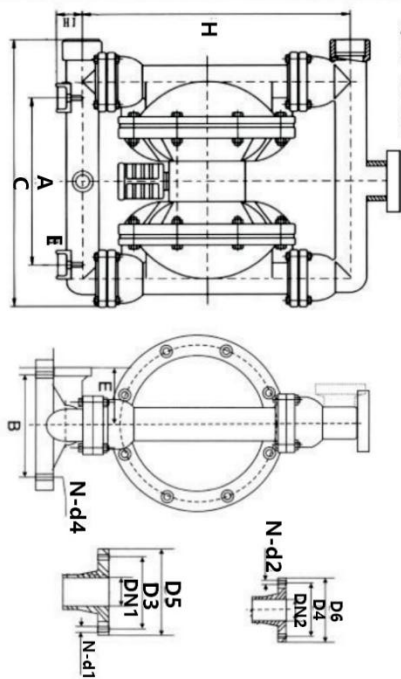
01. Outlet pipe	02. Ball sealer
03. Seal seat	04. Diaphragm vane
05. Intermediate	06. Connecting components
07. Copperroads	08. Pump body
09. Inlet pipe	10. Valve pily
12. Admni ion piece	13. Air distribution valve



QBY-10/40



QBY-50/100



QBY-50-100 Structural drawing

01. Admi ion piece	02. Air distribution valve
03. Air distribution valve	04. Ball sealor
05. Seal seat	06. Diaphragm vane
07. Connecting components	08. Copper roads
09. Intermediate	10. Init pipe
11. Air outlet	12. Outlet pipe

Model	A	B	D5	D6	C	H	H1	H2	DH1	DN2	N-d1	N-d2	D3	D4	E	N-d4	Outside diameter of ar inlet	Materials
QBY-10	135	53	/	/	190	235	35	220	3/8" Threaded	/	/	/	/	/	12	/	8	(HT200) (ZL104)
QBY-15	135	53	/	/	190	235	35	220	1/2" Threaded	/	/	/	/	/	12	/	8	(1Cr18Ni9Ti) (PP)
QBY-25	255	150	100	100	380	530	70		1" Threaded	1" Threaded	4-φ11	4-φ11	75	75	55	4-φ10	10	(PP) Inpats and exports are facing the edge
QBY-40	255	150	130	120	380	530	70		1 1/2" Threaded	1 1/2" Threaded	4-φ13.5	4-φ13.5	100	90	55	4-φ10	10	
QBY-25	220	160	100	100	370	460	50	410	1" Threaded	1" flange	4-φ11	4-φ11	75	75	80	4-φ12	10	(HT200)
QBY-40	220	160	130	120	370	460		410	1 1/2" Threaded	1 1/4" Threaded	4-φ13.5	4-φ13.5	100	90		4-φ12	10	(HT200)
QBY-50	340	215	140	140	550	715	95		2" flange	2" flange	4-φ13.5	4-φ13.5	110	110	145	4-φ17.5	12	(1Cr18Ni9Ti)
QBY-65	340	215	160	140	550	715	95		2 1/2" flange	2 1/2" flange	4-φ13.5	4-φ13.5	130	130	145	4-φ17.5	12	
QBY-80	360	260	190	190	580	950	100		3" flange	3" flange	4-φ17.5	4-φ17.5	150	150	130	4-φ17.5	12	(ZL104)
QBY-100	360	260	210	190	580	950	100		4" flange	3" flange	4-φ17.5	4-φ17.5	170	170	130	4-φ17.5	12	

Remarque : les importations et exportations de fonte/aluminium/acier inoxydable/matière plastique QBY-10 et 15 sont des connexions filetées, pas bleues. Les importations et exportations d'acier inoxydable/matière plastique QBY-25 et 40 sont des connexions filetées, pas bleues, fonte/aluminium. l'alliage et l'exportation sont Connexion à bride et filetée à double usage. Les QBY-50/65/80/100 sont à bride, sans filetage. (Veuillez vous référer aux exemples de photos du catalogue de produits réels)

STRUCTURE DRAWING AND PARTS LIST



No.	Name	Qty	Material
1	Inlet pipe	1	Stainless steel, cast iron, aluminium alloy, plastic, inner lining FEP
2	Outlet pipe	1	Stainless steel, cast iron, aluminium alloy, plastic, inner lining FEP
3	Pump body	2	Stainless steel, cast iron, aluminium alloy, plastic, inner lining FEP
4	Pump chamber	2	Aluminium alloy, cast iron
5	Intermediate	1	Aluminium alloy
6	Diaphragm vane	2	PTFE
7	Diaphragm vane	2	Acrylonitrile butadiene rubber, polychloroprene
8	Intermediate seal gasket	2	Acrylonitrile butadiene rubber
9	Driving shaft housing	2	Plastic
10	Connecting rod shaft housing	2	Plastic
11	Piston bush	2	Plastic
12	Piston	2	Plastic
13	Slipper block	1	Aluminium alloy
14	Slipper block	1	Chromium-plated steel
15	Sealing slip ring	1	Plastic
16	Driving slipper block	1	Plastic
17	Cover plate	1	Aluminium alloy
18	Cover plate gasket	1	Rubber
19	Muffler	1	Plastic
20	Seal seat	4	Rubber
21	Seal seat	4	PTFE
22	Clamping bar	4	Stainless steel, carbon steel
23	Connecting rod	1	Stainless steel
24	Compression spring	1	Copper
25	Driving shaft	1	Stainless steel
26	Seal ring of driving shaft	2	Rubber
27	Y-type O-ring	4	Rubber
28	O-ring	1	Rubber
29	Butterfly-type O-ring	1	Rubber
30	Inlet nozzle	1	Copper
31	Ball sealer	4	Rubber
32	Ball sealer	4	Stainless steel, ceramic, PTFE

MATTERS NEED ATTENTION

1. Si les vibrations de la pompe sont très légères, il n'est généralement pas nécessaire d'installer les boulons de fondation.
- 2.1 Si l'air comprimé est mélangé à des objets sales, le démarrage normal de la pompe sera influencé. Il est suggéré à l'utilisateur d'installer en plus les pièces pneumatiques triplex.
3. Lorsque vous pompez un milieu susceptible de geler ou de se déposer facilement, veuillez installer une vanne à l'entrée de la pompe. Si la pompe doit être arrêtée, veuillez d'abord fermer la vanne, puis faire fonctionner la pompe pendant plusieurs minutes pour vider le milieu à l'intérieur du Pompez et nettoyez le liquide accumulé à l'intérieur de la pompe à temps, afin d'éviter toute difficulté lors du démarrage de la pompe la prochaine fois.
4. Lors du remplacement du diaphragme, veuillez nettoyer la bielle dans la cavité intérieure et la douille en cuivre de la pompe. Et évitez d'endommager la bague d'étanchéité en PTFE blanc. Faites le remontage comme d'origine et la pompe peut être utilisée.

FAULT AND EXCLUSION

Malfunction forms	Causes	Troubleshooting
No water comes out from the pump or the flow is insufficient.	<ol style="list-style-type: none"> 1、 The air pressure is insufficient. 2、 The flow channel of the pump cavity is blocked 3、 The valve is not opened 	<ol style="list-style-type: none"> 1、 Add the air pressure 2、 Open the pump cavity for cleaning 3、 Open the valve
The pump stops its operation	<ol style="list-style-type: none"> 1、 The air distribution valve is damaged 2、 The diaphragm is damaged 3、 The muffler is blocked 4、 Air leakage occurs in the connecting rod seal 	<ol style="list-style-type: none"> 1、 Repair or replace the air distribution valve 2、 Replace the diaphragm 3、 Clean the muffler. 4、 Replace the connecting rod seal
The lift is too low	<ol style="list-style-type: none"> 1、 The suction valve is damaged 2、 The flow is too high 3、 The air pressure is too low 	<ol style="list-style-type: none"> 1、 Shorten the pipe and reduce elbows 2、 Turn down the drain valve. 3、 Add the air pressure
The noise is too low	<ol style="list-style-type: none"> 1、 The muffler is broken 	<ol style="list-style-type: none"> 1、 Add the air pressure.

Fabriqué en Chine

VEVOR[®]

TOUGH TOOLS, HALF PRICE

Technique Assistance et certificat de garantie électronique

www.vevor.com/support

VEVOR[®]

TOUGH TOOLS, HALF PRICE

Technisch Support- und E-Garantiezertifikat

www.vevor.com/support

Luftbetriebenes Doppel Membranpumpe Anweisungen

**MODELL: QBK-40L / QBY4-50L / QBY4-25L /
QBY4-25LF46 / QBY-15PP / QBK-15P / QBK-15**

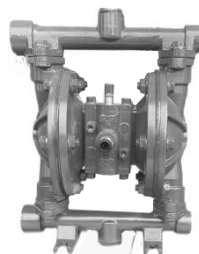
We continue to be committed to provide you tools with competitive price. "Save Half", "Half Price" or any other similar expressions used by us only represents an estimate of savings you might benefit from buying certain tools with us compared to the major top brands and does not necessarily mean to cover all categories of tools offered by us. You are kindly reminded to verify carefully when you are placing an order with us if you are actually saving half in comparison with the top major brands.

VEVOR®

TOUGH TOOLS, HALF PRICE

Air Operated Double Diaphragm Pump

MODELL: QBK-40L/QBY4-50L/QBY4-25L/QBY4-25LF46 / QBY-15PP/QBK-15P/QBK-15



NEED HELP? CONTACT US!

Have product questions? Need technical support? Please feel free to contact us:

Technical Support and E-Warranty Certificate
www.vevor.com/support

This is the original instruction, please read all manual instructions carefully before operating. VEVOR reserves a clear interpretation of our user manual. The appearance of the product shall be subject to the product you received. Please forgive us that we won't inform you again if there are any technology or software updates on our product.



Warnung: Um das Verletzungsrisiko zu verringern, muss der Benutzer die Bedienungsanleitung sorgfältig lesen.

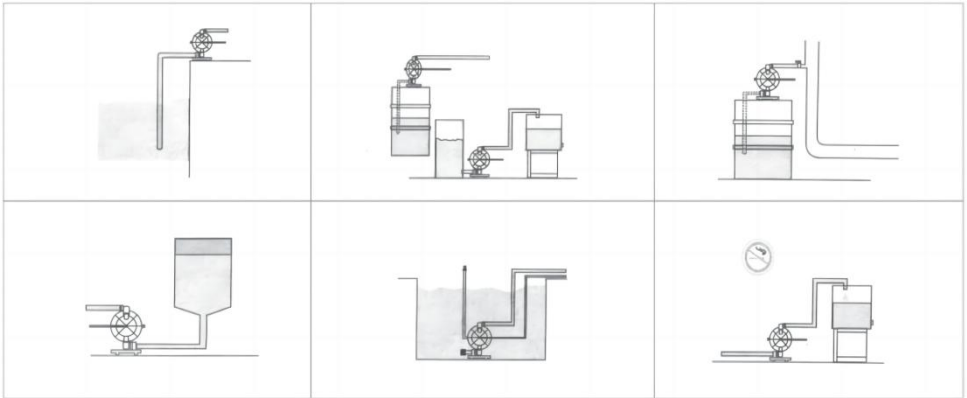
PRODUCT PRESENTATION

Diese Membranpumpenserie ist das neueste Modell zu Hause. Sie sind es Funktioniert zum Herausnehmen und Ansaugen verschiedener ätzender Flüssigkeiten, die Granulat, viskos, flüchtig, brennbar und explosiv enthalten oder giftige Flüssigkeiten, Porzellanbrei, Fruchtpüree, Flue.the Rückgewinnung von Restöl im Tanker. Vorübergehender Umbau des Tankers usw. Die Leistungsparameter dieser Serie liegen nahe bei Scheiße Germam WLLDENPUMPS und American MARI0-WPUMPS Die mit der Strömung in Berührung kommenden Komponenten bestehen aus Edelstahl, Aluminiumlegierung, Gusseisen und Edelstahl, während die Membran aus NBR, Viton, Neopren oder PTFE bestehen kann .

MAIN APPLICATION

1. Die Pumpe kann Erdnüsse, Gurken, Tomaten, Gölle, rote Wurst, Schokolade, Hopfen usw. ansaugen Sirup usw.
2. Die Pumpe kann Farbe, Pigment, Leim und Klebstoff usw. ansaugen;
3. Die Pumpe kann verschiedene glasierte Schlämme aus Fliesen, Porzellan, Ziegelsteinen und Porzellan usw. ansaugen.
4. Die Pumpe kann verschiedene Schleifmaterialien, Korrosionsmittel ansaugen und den Ölschmutz usw. reinigen.
5. Die Pumpe kann verschiedene Giftstoffe und brennbare oder flüchtige Flüssigkeiten usw. ansaugen.
6. Die Pumpe kann verschiedenes Keilwasser, Zementschlamm und Mörtel usw. ansaugen
7. Die Pumpe kann verschiedene starke Säuren, Laugen und ätzende Flüssigkeiten usw. ansaugen.
- 8.It kann als Vorderstufen-Übertragungsvorrichtung der Fest- und Flüssigtrennanlage verwendet werden.

WAY TO INSTALL



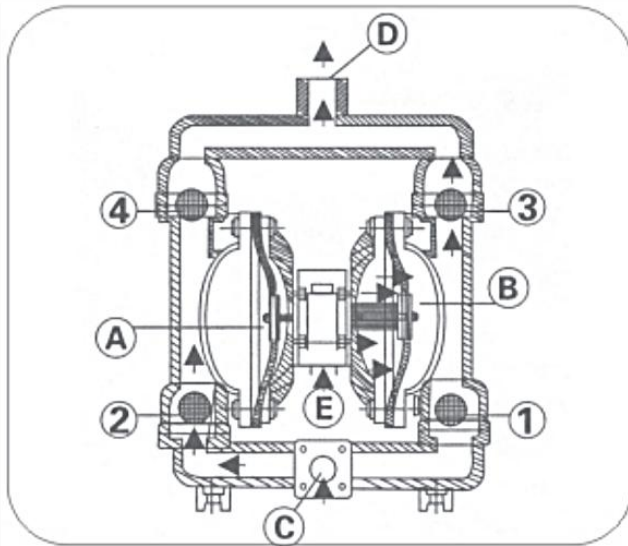
PERFORMANCE CHARACTERISTICS

Luftbetriebene Doppelmembranpumpen können nicht nur die fließende Flüssigkeit absaugen, sondern mit den Vorzügen einer selbstpumpenden Pumpe, einer Tauchpumpe, einer Schildpumpe, einer Schlammpumpe und einer Verunreinigungspumpe usw. auch etwas unruhig fließendes Medium fördern

1. Es ist nicht nötig, das Entnahmewasser auszugießen, die Saughöhe erreicht eine Höhe von 7 m, die Förderhöhe erreicht eine Länge von 50 m Die Exportdruck $> 6 \text{ kgf/cm}^2$;
2. Breiter Durchfluss und gute Leistung. Der Durchmesser, der das maximale Korn durchlässt, beträgt 10 mm. Der Schaden ist sehr gering zur Pumpe, während Schlamm und Verunreinigungen abgesaugt werden;
3. Die Förderdauer und der Durchfluss können das Pneumatikventil offen passieren, um die stufenlose Einstellung zu erreichen (die pneumatische Druckeinstellung liegt zwischen 2 und 8 kgf/cm^2) ;
4. Diese Pumpe hat keine rotierenden Teile und keine Lagerdichtungen. Die Membran trennt das erschöpfte Medium vollständig von den laufenden Teilen der Pumpe und dem Arbeitsmedium und brennbare oder ätzende Medien:

5. Kein Strom ist sicher und zuverlässig bei der Verwendung an brennbaren und erforschten Orten:
6. It kann in Medium eingeweicht werden;
7. Es ist bequem zu bedienen und arbeitet zuverlässig. Öffnen oder schließen Sie den Gasventilkörper nur beim Starten oder Stoppen. Auch wenn kein mittlerer Betrieb oder eine plötzliche längere Pause aufgrund von Unfallursachen vorliegt, wird die Pumpe dadurch nicht beschädigt. Die Pumpe stoppt automatisch und verfügt über eine Selbstschuttfunktion. Wenn die Pumpe normal läuft, kann sie auch automatisch starten.
8. Einfache Struktur und weniger Verschleißteile. Diese Pumpe ist einfach in der Struktur. Installation und Wartung. Das von der Pumpe geförderte Medium berührt nicht das passende Pneumatikventil und den Kupplungshebel usw. Anders als bei anderen Pumpentypen sinkt die Leistung aufgrund von Schäden allmählich Rotor, Getriebe und Flügel usw.
9. Es kann den Klebstoff übertragen (die Viskosität liegt unter 10000 Centipoise)
10. Diese Pumpe benötigt kein Ölschmiermittel. Selbst im Leerlauf hat dies Einfluss auf die Pumpe. Dies ist ein Merkmal dieser Pumpe

OPERATIONAL PRINCIPLE

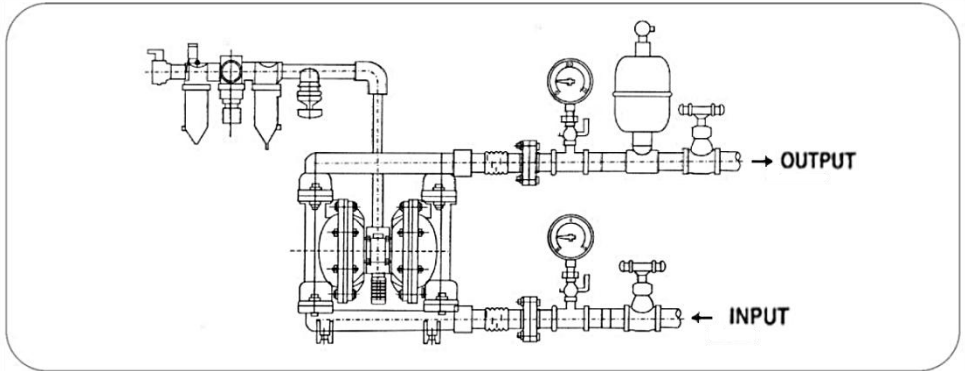


Jede Membran wird in beiden ausgerichteten Arbeitshohlräumen (A) und (B) installiert, die mit einem zentralen Kupplungshebel miteinander verbunden werden können. Die Druckluft gelangt über den Lufteingang der Pumpe in das Luftverteilungsventil und durch die Luft in einen Hohlraum Verteilungsmechanismus, drücken Sie die Membranbewegung im Hohlraum heraus. Das Gas in einem anderen Hohlraum wird abgelassen. Sobald Sie den Hub-Endpunkt erreicht haben, saugt der Luftverteilungsmechanismus automatisch die Kompressionsluft in einen anderen Arbeitshohlraum und drückt die Membran heraus, um sich in die entgegengesetzte Richtung zu bewegen Richtung, so dass die beiden Membranen kontinuierlich und synchron hin- und herbewegt werden.

Die Druckluft tritt von (E) in das Luftverteilerventil ein, wie im Diagramm gezeigt. Lassen Sie das Membranstück in die richtige Richtung bewegen. Durch die Saugkraft in der Kammer (A) strömt das Medium vom Eingang (C) ein Drücken Sie den Kugelhahn (2) heraus, um in die Kammer (A) zu gelangen. Der Kugelhahn (4) wird aufgrund der Saugkraft verriegelt. Das Medium in der Kammer (B) wird gedrückt und aus dem Kugelhahn (3) gedrückt, damit es herausfließt aus dem Ausgang (D). Lassen Sie in der Zwischenzeit

das Kugelventil (I) schließen, um einen Rückfluss zu verhindern.
Eine solche Bewegung im Kreis lässt das Medium ununterbrochen
aus dem Eingang (C) saugen und aus dem Ausgang (D) abfließen.

CONNECTION SCHEMATIC DIAGRAM

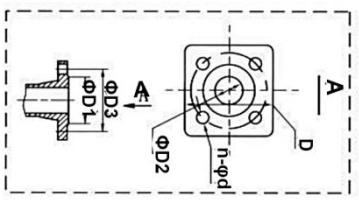
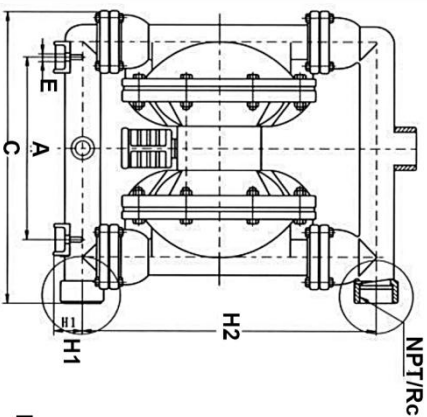


PERFORMANCE PARAMETE

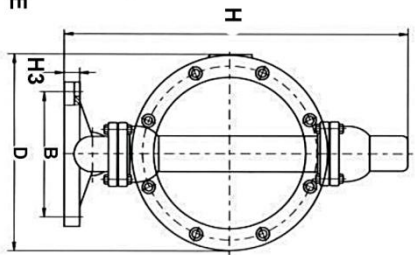
Model	Qmax (GPM)	Hmax (m)	pressUSE (kgf/cm ²)	Sucked lift (m)	Max grain Dia (mm)	Max pressure (kgf/cm ²)	MWP (PSI)	Pump	
								Air Inlet Size	Inlet and outlet size
QBK-40L	44	69	6.9	5	4.5	7	115	FNPT 1/4"	1.5"
QBY4-50L	75	75	8.0	7	8.0	8	113	FNPT 1/4"	2.0"
QBY4-25L	22	73	8.0	7	4.0	8	100	FNPT 1/4"	1.0"
QBY4- 25LF46	24	70	8.0	7	4.0	8	100	FNPT 1/4"	1.0"
QBY-15PP	2.5	50	6.0	5	1.0	7	80	FNPT 1/4"	1/2"
QBK-15P	3	60	6.9	5	1.0	7	90	FNPT 1/4"	1/2"
QBK-15	3	60	6.9	5	1.0	7	90	FNPT 1/4"	1/2"

Note: Affected by the stability of gas supply and the environment, the parameters may have certain fluctuations or errors, which is a normal phenomenon.

QBK INSTALLATION SIZE CHART

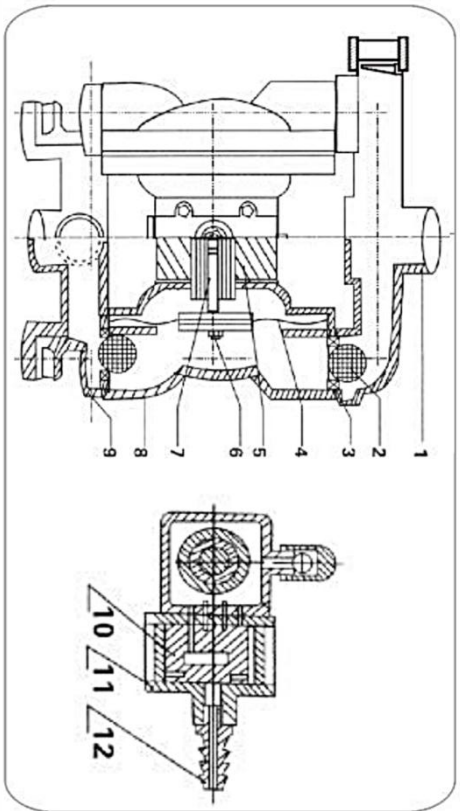


FLANG CONNECTION TYPE

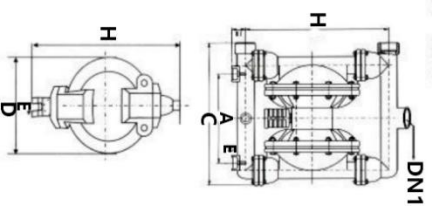


QBV - 40 Structural drawing

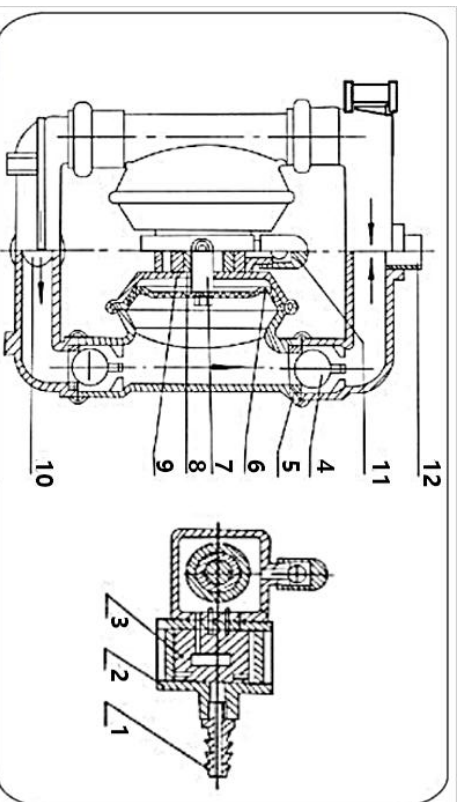
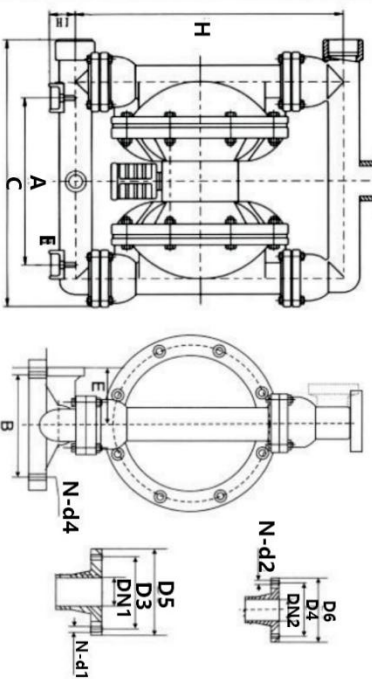
01. Outlet pipe	02. Ball sealer
03. Seal seat	04. Diaphragm vane
05. Intermediate	06. Connecting components
07. Copper roads	08. Pump body
09. Inlet pipe	10. Valve plug
12. Admission piece	13. Air distribution valve



QBY-10/40



QBY-50/100



QBY-50-100 Structural drawing

01. Admi ion piece	02. Air distribution valve
03. Air distribution valve	04. Ball sealor
05. Seal seat	06. Diaphragm vane
07. Connecting components	08. Copper roads
09. Intermediate	10. Inlt pipe
11. Air outlet	12. Outlet pipe

Model	A	B	D5	D6	C	H	H1	H2	DH1	DN2	N-d1	N-d2	D3	D4	E	N-d4	Outside diameter of ar inlet	Materials
QBY-10	135	53	/	/	190	235	35	220	3/8" Threaded	/	/	/	/	/	12	/	8	(HT200) (ZL104)
QBY-15	135	53	/	/	190	235	35	220	1/2" Threaded	/	/	/	/	/	12	/	8	(1Cr18Ni9Ti) (PP)
QBY-25	255	150	100	100	380	530	70		1" Threaded	1"	4-φ11	4-φ11	75	75	55	4-φ10	10	(PP) inports and exports are facing the edge
QBY-40	255	150	130	120	380	530	70		1 1/2" Threaded	1 1/2" Threaded	4-φ13.5	4-φ13.5	100	90	55	4-φ10	10	
QBY-25	220	160	100	100	370	460	50	410	1" Threaded	1" flange	4-φ11	4-φ11	75	75	80	4-φ12	10	(HT200)
QBY-40	220	160	130	120	370	460		410	1 1/2" Threaded	1 1/4" Threaded	4-φ13.5	4-φ13.5	100	90		4-φ12	10	(HT200)
QBY-50	340	215	140	140	550	715	95		2" flange	2" flange	4-φ13.5	4-φ13.5	110	110	145	4-φ17.5	12	(1Cr18Ni9Ti)
QBY-65	340	215	160	140	550	715	95		2 1/2" flange	2 1/2" flange	4-φ13.5	4-φ13.5	130	130	145	4-φ17.5	12	
QBY-80	360	260	190	190	580	950	100		3" flange	3" flange	4-φ17.5	4-φ17.5	150	150	130	4-φ17.5	12	(ZL104)
QBY-100	360	260	210	190	580	950	100		4" flange	3" flange	4-φ17.5	4-φ17.5	170	170	130	4-φ17.5	12	

Hinweis: QBY-10 und 15 Import und Export aus Gusseisen/Aluminium/Edelstahl/Kunststoff sind Gewindeverbindungen, nicht blau. QBY-25 und 40 Import und Export aus Edelstahl/Kunststoff sind Gewindeverbindungen, nicht blau, Gusseisen/Aluminium Legierung und Export sind Flansch-Gewindeverbindung mit doppeltem Verwendungszweck. QBY-50/65/80/100 sind geflanscht, ohne Gewinde. (Bitte beachten Sie die tatsächlichen Musterproduktkatalogbilder.)

STRUCTURE DRAWING AND PARTS LIST



No.	Name	Qty	Material
1	Inlet pipe	1	Stainless steel, cast iron, aluminium alloy, plastic, inner lining FEP
2	Outlet pipe	1	Stainless steel, cast iron, aluminium alloy, plastic, inner lining FEP
3	Pump body	2	Stainless steel, cast iron, aluminium alloy, plastic, inner lining FEP
4	Pump chamber	2	Aluminium alloy, cast iron
5	Intermediate	1	Aluminium alloy
6	Diaphragm vane	2	PTFE
7	Diaphragm vane	2	Acrylonitrile butadiene rubber, polychloroprene
8	Intermediate seal gasket	2	Acrylonitrile butadiene rubber
9	Driving shaft housing	2	Plastic
10	Connecting rod shaft housing	2	Plastic
11	Piston bush	2	Plastic
12	Piston	2	Plastic
13	Slipper block	1	Aluminium alloy
14	Slipper block	1	Chromium-plated steel
15	Sealing slip ring	1	Plastic
16	Driving slipper block	1	Plastic
17	Cover plate	1	Aluminium alloy
18	Cover plate gasket	1	Rubber
19	Muffler	1	Plastic
20	Seal seat	4	Rubber
21	Seal seat	4	PTFE
22	Clamping bar	4	Stainless steel, carbon steel
23	Connecting rod	1	Stainless steel
24	Compression spring	1	Copper
25	Driving shaft	1	Stainless steel
26	Seal ring of driving shaft	2	Rubber
27	Y-type O-ring	4	Rubber
28	O-ring	1	Rubber
29	Butterfly-type O-ring	1	Rubber
30	Inlet nozzle	1	Copper
31	Ball sealer	4	Rubber
32	Ball sealer	4	Stainless steel, ceramic, PTFE

MATTERS NEED ATTENTION

1. Wenn die Pumpenvibration sehr gering ist, ist es im Allgemeinen nicht erforderlich, die Fundamentschrauben zu installieren.
- 2.1 Wenn die Druckluft mit schmutzigen Stoffen vermischt ist, wird der normale Start der Pumpe beeinträchtigt. Es wird empfohlen, dass der Benutzer zusätzlich die pneumatischen Triplex-Teile installiert.
3. Wenn Sie Medien pumpen, die leicht gefrieren oder sich ablagern, installieren Sie bitte ein Ventil am Einlass der Pumpe. Wenn die Pumpe gestoppt werden soll, schließen Sie bitte zuerst das Ventil und lassen Sie die Pumpe dann einige Minuten lang laufen, um die Medien im Inneren zu entleeren Pumpen und reinigen Sie die angesammelte Flüssigkeit rechtzeitig in der Pumpe, um Schwierigkeiten beim nächsten Start der Pumpe zu vermeiden.
4. Reinigen Sie beim Austausch der Membran bitte die Verbindungsstange im inneren Hohlraum und die Kupferbuchse der Pumpe. Vermeiden Sie außerdem eine Beschädigung des weißen PTFE-Dichtungsringes. Führen Sie den Zusammenbau wie im Original durch, damit die Pumpe wieder verwendet werden kann.

FAULT AND EXCLUSION

Malfunction forms	Causes	Troubleshooting
No water comes out from the pump or the flow is insufficient.	<ol style="list-style-type: none"> 1、 The air pressure is insufficient. 2、 The flow channel of the pump cavity is blocked 3、 The valve is not opened 	<ol style="list-style-type: none"> 1、 Add the air pressure 2、 Open the pump cavity for cleaning 3、 Open the valve
The pump stops its operation	<ol style="list-style-type: none"> 1、 The air distribution valve is damaged 2、 The diaphragm is damaged 3、 The muffler is blocked 4、 Air leakage occurs in the connecting rod seal 	<ol style="list-style-type: none"> 1、 Repair or replace the air distribution valve 2、 Replace the diaphragm 3、 Clean the muffler. 4、 Replace the connecting rod seal
The lift is too low	<ol style="list-style-type: none"> 1、 The suction valve is damaged 2、 The flow is too high 3、 The air pressure is too low 	<ol style="list-style-type: none"> 1、 Shorten the pipe and reduce elbows 2、 Turn down the drain valve. 3、 Add the air pressure
The noise is too low	<ol style="list-style-type: none"> 1、 The muffler is broken 	<ol style="list-style-type: none"> 1、 Add the air pressure.

In China hergestellt

VEVOR[®]

TOUGH TOOLS, HALF PRICE

Technisch Support- und E-Garantiezertifikat

www.vevor.com/support

VEVOR[®]

TOUGH TOOLS, HALF PRICE

Tecnico Supporto e certificato di garanzia elettronica

www.vevor.com/support

Doppio ad azionamento pneumatico Pompa a membrana Istruzioni

**MODELLO: QBK-40L / QBY4-50L / QBY4-25L /
QBY4-25LF46 / QBY-15PP / QBK-15P / QBK-15**

We continue to be committed to provide you tools with competitive price.

"Save Half", "Half Price" or any other similar expressions used by us only represents an estimate of savings you might benefit from buying certain tools with us compared to the major top brands and does not necessarily mean to cover all categories of tools offered by us. You are kindly reminded to verify carefully when you are placing an order with us if you are actually saving half in comparison with the top major brands.

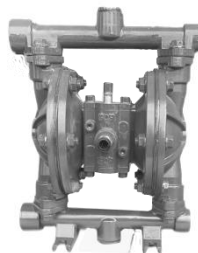
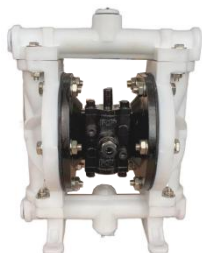
VEVOR®

TOUGH TOOLS, HALF PRICE

Air Operated Double Diaphragm Pump

MODELLO: QBK-40L/QBY4-50L/QBY4-25L/QBY4-25LF46 /

QBY-15PP/QBK-15P/QBK-15



NEED HELP? CONTACT US!

Have product questions? Need technical support? Please feel free to contact us:

Technical Support and E-Warranty Certificate
www.vevor.com/support

This is the original instruction, please read all manual instructions carefully before operating. VEVOR reserves a clear interpretation of our user manual. The appearance of the product shall be subject to the product you received. Please forgive us that we won't inform you again if there are any technology or software updates on our product.



Avvertenza: per ridurre il rischio di lesioni, l'utente deve leggere attentamente il manuale di istruzioni.

PRODUCT PRESENTATION

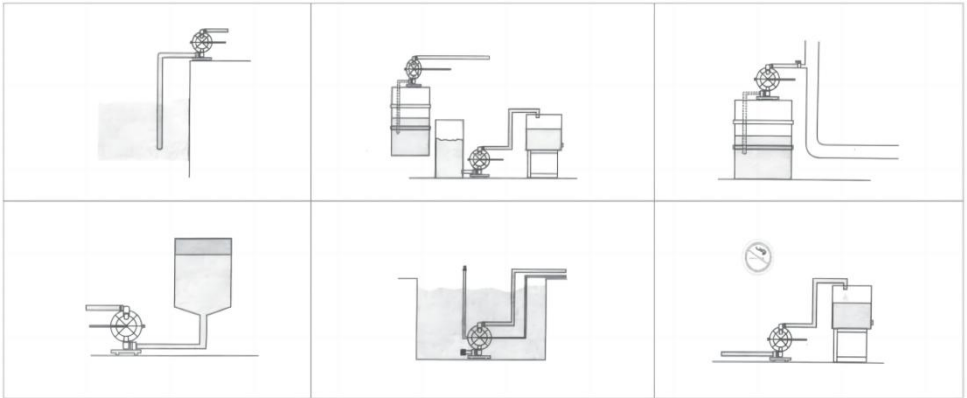
Questa serie di pompe a membrana sono l'ultimo modello in casa. Lo sono funzionava per estrarre e aspirare vari liquidi corrosivi contenenti granuli, viscosi, volatili, infiammabili, esplosivi o liquido velenoso, impasto di porcellana, purea di frutta, canna fumaria recupero dell'olio residuo nella cisterna. inversione temporanea della cisterna, ecc. I parametri di prestazione di questa serie sono vicini a merda di German WLLDENPUMPS e americano MARIO-WPUMPS I componenti a contatto con il flusso sono realizzati in acciaio inossidabile, lega di alluminio, ghisa e plastica enina, mentre il diaframma è NBR, viton, neoprene o PTFE .

MAIN APPLICATION

1. La pompa può aspirare arachidi, sottaceti, pomodori, liquami, salsicce rosse, cioccolato, luppolo e sciroppo, ecc.
2. La pompa può aspirare vernice, pigmento, colla, adesivo, ecc.;
3. La pompa può aspirare vari liquidi lucidi di piastrelle, porcellana, mattoni e porcellane, ecc.
4. La pompa può aspirare vari materiali di macinazione, agenti corrosivi e pulire lo sporco dell'olio, ecc.
5. La pompa può aspirare varie tossine e liquidi infiammabili o volatili, ecc.
6. La pompa può aspirare vari tipi di acqua, fanghi di cemento, malte, ecc
7. La pompa può aspirare vari acidi forti, alcali e liquidi corrosivi, ecc.
8. It può essere utilizzato come dispositivo di trasmissione anteriore

dell'apparecchiatura di separazione solida e liquida.

WAY TO INSTALL



PERFORMANCE CHARACTERISTICS

Le pompe pneumatiche a doppia membrana non solo possono esaurire il flusso del liquido, ma anche convogliare un mezzo poco fluido con i pregi della pompa autopompante, della pompa subacquea, della pompa protettiva, della pompa per liquami e della pompa per impurità, ecc.

1. Non è necessario versare l'acqua di prelievo, l'altezza di aspirazione raggiunge i 7 m di altezza, l'altezza di consegna raggiunge i 50 m di lunghezza e la pressione di esportazione $>6 \text{ kgf/cm}^2$;
2. Flusso ampio e buone prestazioni. Il diametro consentito di passare la grana massima raggiunge i 10 mm. Il danno è molto inferiore alla pompa durante lo scarico dei liquami e delle impurità;
3. La durata di erogazione e il flusso possono far passare la valvola pneumatica aperta per realizzare la regolazione continua (la regolazione della pressione pneumatica è compresa tra 2 e 8 kgf/cm^2) ;
4. Questa pompa non ha parti rotanti né guarnizioni dei cuscinetti. Il diaframma separerà completamente le parti correnti della pompa esausta e il mezzo di lavoro. Il mezzo convogliato non può fuoriuscire all'esterno. Pertanto non causerà inquinamento dell'ambiente e sicurezza del corpo umano pericolosi durante l'esaurimento della tossina e sostanze

infiammabili o corrosive:

5. Nessuna elettricità è sicura e affidabile durante l'utilizzo in luoghi infiammabili ed esplorativi:

6. It possono essere immersi in un mezzo;

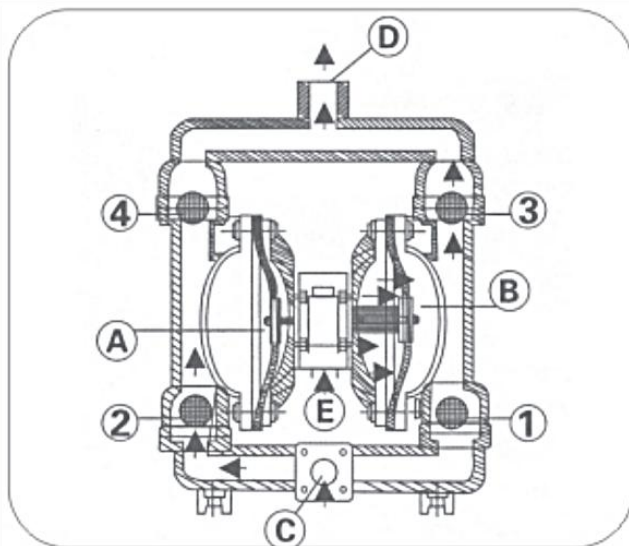
7. È comodo da usare e affidabile da usare. Aprire o chiudere il corpo della valvola del gas solo durante l'avvio o l'arresto. Anche se non si verifica un funzionamento medio o si fa una pausa improvvisa per un lungo periodo a causa di incidenti, la pompa non verrà danneggiata e utilizzata da questo una volta utilizzata. La pompa si fermerà automaticamente e possiede la funzione di autoprotezione. Quando il carico si riprende normalmente, può anche avviarsi automaticamente;

8. Struttura semplice e meno parti soggette ad usura. Questa pompa è semplice nella struttura. Installazione e manutenzione. Il mezzo trasportato dalla pompa non toccherà la valvola pneumatica abbinata e la leva di accoppiamento ecc. Non come gli altri tipi di pompe, la prestazione Ance cadrà gradualmente a causa dei danni di rotore, ingranaggio e paletta ecc.

9. Può trasmettere l'adesivo (la viscosità è inferiore a 10000 centipoise)

10. Questa pompa non necessita di olio lubrificante. Anche se al minimo, non ha alcuna influenza sulla pompa. Questa è una caratteristica di questa pompa

OPERATIONAL PRINCIPLE

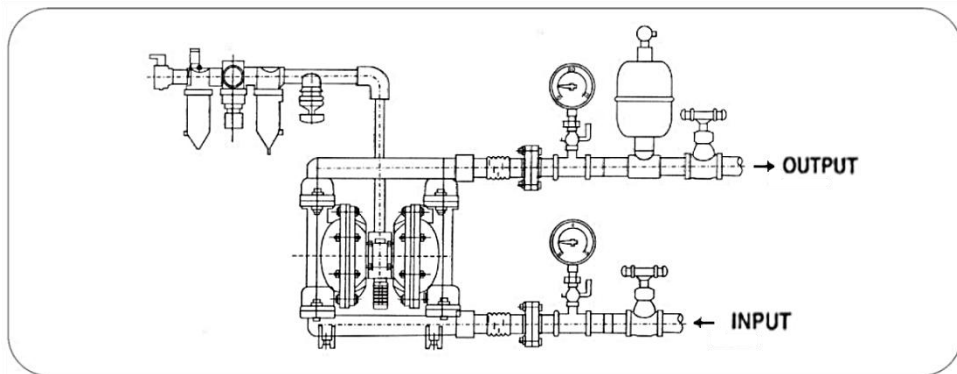


Ogni diaframma viene installato in entrambe le cavità di lavoro allineate (A) e (B), che possono essere collegate insieme con una leva di accoppiamento centrale. L'aria di compressione entra nella valvola di distribuzione dell'aria dall'ingresso dell'aria della pompa, l'aria di compressione in una cavità attraverso l'aria meccanismo di distribuzione, spingere fuori il movimento della membrana nella cavità. Il gas in un'altra cavità verrà drenato. Una volta raggiunto il terminale della corsa, il meccanismo di distribuzione dell'aria attirerà automaticamente l'aria di compressione in un'altra cavità di lavoro, spingerà fuori la membrana per spostarla verso la direzione opposta direzione, in modo da consentire a entrambi i diaframmi di ricambiare continuamente il movimento in sincronismo.

L'aria di compressione entra nella valvola di distribuzione dell'aria da (E) mostrata nel diagramma, lascia che il diaframma si muova verso la giusta direzione. E: la forza di aspirazione nella camera (A) lascia fluire il fluido dall'ingresso (C), spingere fuori la valvola a sfera (2) per entrare nella camera (A), la valvola a sfera (4) verrà bloccata a causa della forza di aspirazione; il mezzo nella camera (B) verrà premuto, spingere fuori la valvola a sfera (3) per uscire dall'uscita (D). Nel frattempo, lasciare che la valvola a sfera (1) si chiuda,

impedendo il reflusso. Tale movimento circolare consentirà al fluido di aspirare ininterrottamente dall'ingresso (C) e drenare dall'uscita (D).

CONNECTION SCHEMATIC DIAGRAM

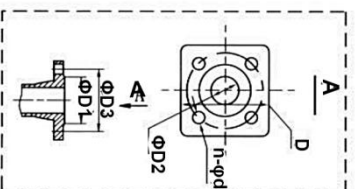
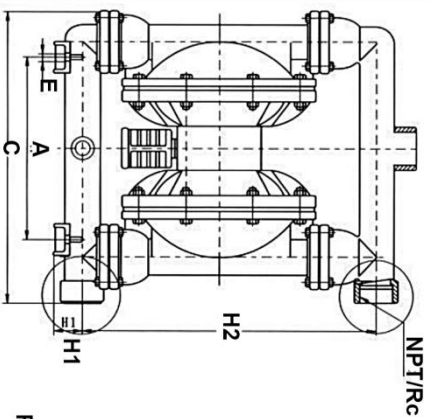


PERFORMANCE PARAMETE

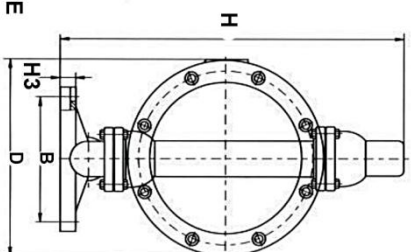
Model	Qmax (GPM)	Hmax (m)	pressure (kgf/cm ²)	Sucked lift (m)	Max grain Dia (mm)	Max pressure (kgf/cm ²)	MWP (PSI)	Pump	
								Air Inlet Size	Inlet and outlet size
QBK-40L	44	69	6.9	5	4.5	7	115	FNPT 1/4"	1.5"
QBY4-50L	75	75	8.0	7	8.0	8	113	FNPT 1/4"	2.0"
QBY4-25L	22	73	8.0	7	4.0	8	100	FNPT 1/4"	1.0"
QBY4- 25LF46	24	70	8.0	7	4.0	8	100	FNPT 1/4"	1.0"
QBY-15PP	2.5	50	6.0	5	1.0	7	80	FNPT 1/4"	1/2"
QBK-15P	3	60	6.9	5	1.0	7	90	FNPT 1/4"	1/2"
QBK-15	3	60	6.9	5	1.0	7	90	FNPT 1/4"	1/2"

Note: Affected by the stability of gas supply and the environment, the parameters may have certain fluctuations or errors, which is a normal phenomenon.

QBK INSTALLATION SIZE CHART

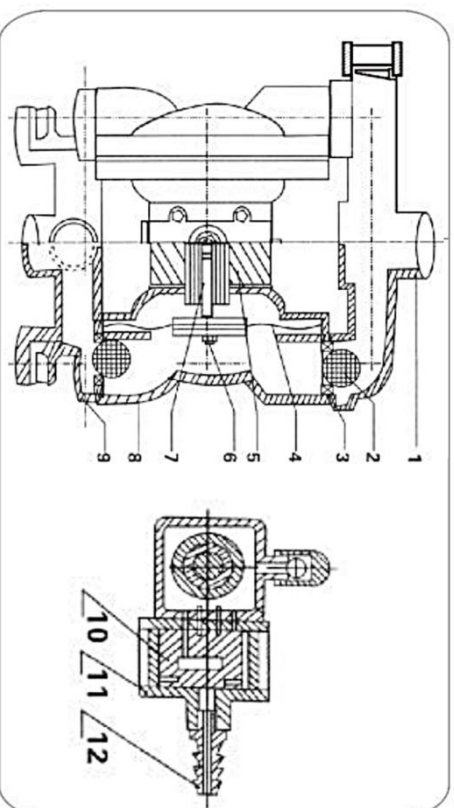


FLANG CONNECTION TYPE

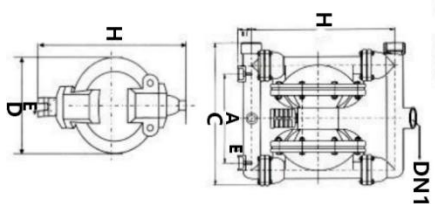


QBV - 40 Structural drawing

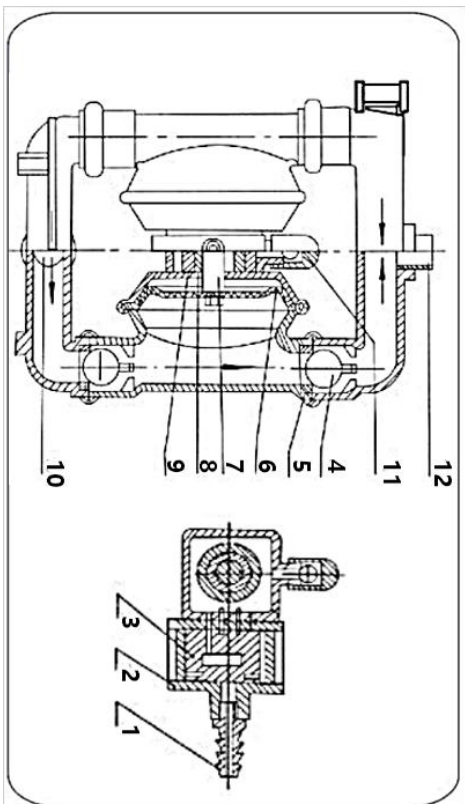
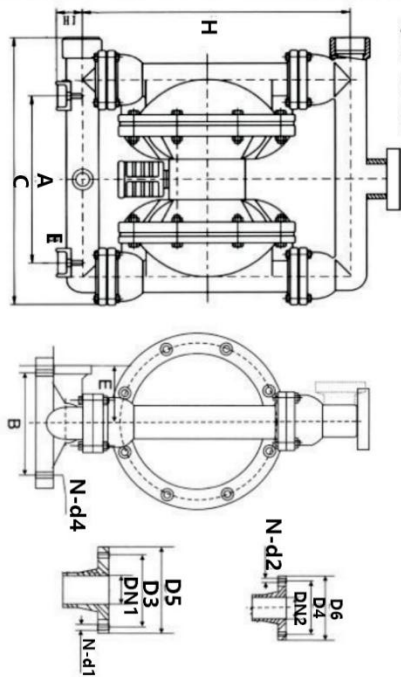
01. Outlet pipe	02. Ball sealer
03. Seal seat	04. Diaphragm vane
05. Intermediate	06. Connecting components
07. Copperroads	08. Pump body
09. Inlet pipe	10. Valve pily
12. Admni ion piece	13. Air distribution valve



QBY-10/40



QBY-50/100



QBY-50-100 Structural drawing

01. Admi ion piece	02. Air distribution valve
03. Air distribution valve	04. Ball sealor
05. Seal seat	06. Diaphragm vane
07. Connecting components	08. Copper roads
09. Intermediate	10. Init pipe
11. Air outlet	12. Outlet pipe

Model	A	B	D5	D6	C	H	H1	H2	DH1	DN2	N-d1	N-d2	D3	D4	E	N-d4	Outside diameter of ar inlet	Materials
QBY-10	135	53	/	/	190	235	35	220	3/8" Threaded	/	/	/	/	/	12	/	8	(HT200) (ZL104)
QBY-15	135	53	/	/	190	235	35	220	1/2" Threaded	/	/	/	/	/	12	/	8	(1Cr18Ni9Ti) (PP)
QBY-25	255	150	100	100	380	530	70		1" Threaded	1" Threaded	4-φ11	4-φ11	75	75	55	4-φ10	10	(PP) Impacts and exports are facing the edge
QBY-40	255	150	130	120	380	530	70		1 1/2" Threaded	1 1/2" Threaded	4-φ13.5	4-φ13.5	100	90	55	4-φ10	10	
QBY-25	220	160	100	100	370	460	50	410	1" Threaded	1" flange	4-φ11	4-φ11	75	75	80	4-φ12	10	(HT200)
QBY-40	220	160	130	120	370	460		410	1 1/2" Threaded	1 1/4" Threaded	4-φ13.5	4-φ13.5	100	90		4-φ12	10	(HT200)
QBY-50	340	215	140	140	550	715	95		2" flange	2" flange	4-φ13.5	4-φ13.5	110	110	145	4-φ17.5	12	(1Cr18Ni9Ti)
QBY-65	340	215	160	140	550	715	95		2 1/2" flange	2 1/2" flange	4-φ13.5	4-φ13.5	130	130	145	4-φ17.5	12	
QBY-80	360	260	190	190	580	950	100		3" flange	3" flange	4-φ17.5	4-φ17.5	150	150	130	4-φ17.5	12	(ZL104)
QBY-100	360	260	210	190	580	950	100		4" flange	3" flange	4-φ17.5	4-φ17.5	170	170	130	4-φ17.5	12	

Nota: l'importazione e l'esportazione di ghisa/alluminio/acciaio inossidabile/materiale plastico QBY-10 e 15 sono con connessione filettata, non blu. L'importazione e l'esportazione di acciaio inossidabile/materiale plastico QBY-25 e 40 sono connessioni filettate, non blu, ghisa/alluminio lega ed esportazione sono attacco flangiato e filettato a doppio uso. I QBY-50/65/80/100 sono flangiati, non filettati. (Fare riferimento alle immagini reali del catalogo del prodotto campione)

STRUCTURE DRAWING AND PARTS LIST



No.	Name	Qty	Material
1	Inlet pipe	1	Stainless steel, cast iron, aluminium alloy, plastic, inner lining FEP
2	Outlet pipe	1	Stainless steel, cast iron, aluminium alloy, plastic, inner lining FEP
3	Pump body	2	Stainless steel, cast iron, aluminium alloy, plastic, inner lining FEP
4	Pump chamber	2	Aluminium alloy, cast iron
5	Intermediate	1	Aluminium alloy
6	Diaphragm vane	2	PTFE
7	Diaphragm vane	2	Acrylonitrile butadiene rubber, polychloroprene
8	Intermediate seal gasket	2	Acrylonitrile butadiene rubber
9	Driving shaft housing	2	Plastic
10	Connecting rod shaft housing	2	Plastic
11	Piston bush	2	Plastic
12	Piston	2	Plastic
13	Slipper block	1	Aluminium alloy
14	Slipper block	1	Chromium-plated steel
15	Sealing slip ring	1	Plastic
16	Driving slipper block	1	Plastic
17	Cover plate	1	Aluminium alloy
18	Cover plate gasket	1	Rubber
19	Muffler	1	Plastic
20	Seal seat	4	Rubber
21	Seal seat	4	PTFE
22	Clamping bar	4	Stainless steel, carbon steel
23	Connecting rod	1	Stainless steel
24	Compression spring	1	Copper
25	Driving shaft	1	Stainless steel
26	Seal ring of driving shaft	2	Rubber
27	Y-type O-ring	4	Rubber
28	O-ring	1	Rubber
29	Butterfly-type O-ring	1	Rubber
30	Inlet nozzle	1	Copper
31	Ball sealer	4	Rubber
32	Ball sealer	4	Stainless steel, ceramic, PTFE

MATTERS NEED ATTENTION

1. Se la vibrazione della pompa è molto leggera, generalmente non è necessario installare i bulloni di fondazione.
- 2.1 Se l'aria compressa viene mescolata con oggetti sporchi, il normale avvio della pompa verrà influenzato. Si consiglia all'utente di installare in aggiunta le parti triplex pneumatiche.
3. Quando si pompano fluidi che si congelano o si depositano facilmente, installare una valvola all'ingresso della pompa. Se la pompa è troppo ferma, chiudere innanzitutto la valvola, quindi far funzionare la pompa per diversi minuti per svuotare i fluidi all'interno della pompa. Pompare e pulire in tempo il liquido accumulato all'interno della pompa, in modo da evitare eventuali difficoltà nell'avvio successivo della pompa.
4. Quando si sostituisce il diaframma, pulire la biella nella cavità interna e la boccia di rame della pompa. Ed evitare di danneggiare l'anello di tenuta in PTFE bianco. Effettuare il riassetto come originale e la pompa può essere utilizzata.

FAULT AND EXCLUSION

Malfunction forms	Causes	Troubleshooting
No water comes out from the pump or the flow is insufficient.	<ol style="list-style-type: none"> 1、 The air pressure is insufficient. 2、 The flow channel of the pump cavity is blocked 3、 The valve is not opened 	<ol style="list-style-type: none"> 1、 Add the air pressure 2、 Open the pump cavity for cleaning 3、 Open the valve
The pump stops its operation	<ol style="list-style-type: none"> 1、 The air distribution valve is damaged 2、 The diaphragm is damaged 3、 The muffler is blocked 4、 Air leakage occurs in the connecting rod seal 	<ol style="list-style-type: none"> 1、 Repair or replace the air distribution valve 2、 Replace the diaphragm 3、 Clean the muffler. 4、 Replace the connecting rod seal
The lift is too low	<ol style="list-style-type: none"> 1、 The suction valve is damaged 2、 The flow is too high 3、 The air pressure is too low 	<ol style="list-style-type: none"> 1、 Shorten the pipe and reduce elbows 2、 Turn down the drain valve. 3、 Add the air pressure
The noise is too low	<ol style="list-style-type: none"> 1、 The muffler is broken 	<ol style="list-style-type: none"> 1、 Add the air pressure.

Made in China

VEVOR[®]

TOUGH TOOLS, HALF PRICE

Tecnico Supporto e certificato di garanzia elettronica

www.vevor.com/support

VEVOR[®]

TOUGH TOOLS, HALF PRICE

Técnico Certificado de soporte y garantía electrónica

www.vevor.com/support

Doble operado por aire Bomba de diafragma Instrucciones

**MODELO: QBK-40L / QBY4-50L / QBY4-25L /
QBY4-25LF46 / QBY-15PP / QBK-15P / QBK-15**

We continue to be committed to provide you tools with competitive price. "Save Half", "Half Price" or any other similar expressions used by us only represents an estimate of savings you might benefit from buying certain tools with us compared to the major top brands and does not necessarily mean to cover all categories of tools offered by us. You are kindly reminded to verify carefully when you are placing an order with us if you are actually saving half in comparison with the top major brands.

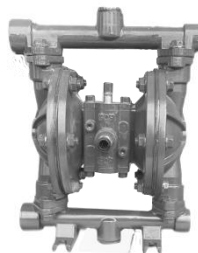
VEVOR®

TOUGH TOOLS, HALF PRICE

Air Operated Double Diaphragm Pump

MODELO: QBK-40L/QBY4-50L/QBY4-25L/QBY4-25LF46 /

QBY-15PP/QBK-15P/QBK-15



NEED HELP? CONTACT US!

Have product questions? Need technical support? Please feel free to contact us:

Technical Support and E-Warranty Certificate
www.vevor.com/support

This is the original instruction, please read all manual instructions carefully before operating. VEVOR reserves a clear interpretation of our user manual. The appearance of the product shall be subject to the product you received. Please forgive us that we won't inform you again if there are any technology or software updates on our product.



Advertencia: para reducir el riesgo de lesiones, el usuario debe leer atentamente el manual de instrucciones.

PRODUCT PRESENTATION

Esta serie de bombas de diafragma es el último modelo en el país. Son Funcionó para sacar y aspirar varios líquidos corrosivos que contienen gránulos, viscosos, volátiles, inflamables y explosivos. o líquido venenoso, suspensión de porcelana, puré de frutas, chimenea. recuperación de petróleo residual en petrolero. reversión temporal del petrolero, etc. Los parámetros de rendimiento de esta serie están cerca de mierda de Germam WLLDENPUMPS y American MARIO-WPUMPS Los componentes en contacto con el flujo son de acero inoxidable, aleación de aluminio, hierro fundido y plásticos de ingeniería, mientras que las membranas pueden ser NBR, viton, neopreno o PTFE .

MAIN APPLICATION

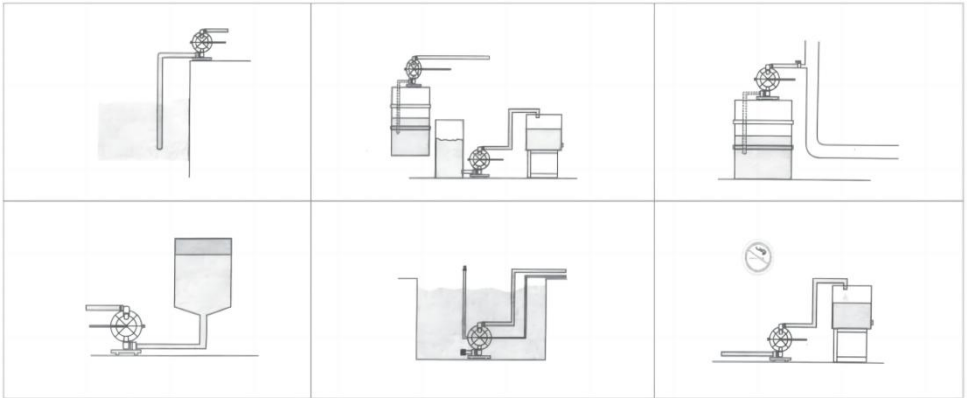
- 1.La bomba puede aspirar maní, pepinillos, tomate, purín, salchicha roja, chocolate, lúpulo y jarabe, etc.
- 2.La bomba puede aspirar pintura, pigmento, pegamento y adhesivo, etc.;
- 3.La bomba puede aspirar diversas lechadas de azulejos, porcelana, ladrillos y vajillas, etc.
- 4.La bomba puede aspirar diversos materiales de molienda, agentes corrosivos y limpiar la suciedad del aceite, etc.
5. La bomba puede aspirar diversas toxinas y líquidos inflamables o volátiles, etc.
- 6.La bomba puede aspirar agua en cuña, lechada de cemento y mortero,

etc.

7. La bomba puede aspirar varios ácidos fuertes, álcalis y líquidos corrosivos, etc.

8. It se puede utilizar como dispositivo de transmisión frontal del equipo de separación de sólidos y líquidos.

WAY TO INSTALL



PERFORMANCE CHARACTERISTICS

Las bombas de doble diafragma accionadas por aire no solo pueden agotar el flujo de líquido, sino que también transportan un medio de flujo difícil con las ventajas de una bomba autobombreadora, una bomba de buceo, una bomba de protección, una bomba de lodo y una bomba de impurezas, etc.

1. No es necesario verter el agua de extracción, la elevación de succión alcanza los 7 m de altura, la elevación de entrega alcanza los 50 m de longitud y el presión de exportación $>6 \text{ kgf/cm}^2$;
2. Flujo amplio y buen rendimiento. El diámetro permitido para pasar el grano máximo alcanza los 10 mm. El daño es muy menor. a la bomba mientras se agota la mezcla y la impureza;
3. La vida útil y el flujo de entrega pueden pasar la válvula neumática abierta para realizar el ajuste continuo (el ajuste de presión neumática está entre 2 y 8 kgf/cm^2) :
4. Esta bomba no tiene piezas giratorias ni sellos de cojinete. El diafragma separará completamente las piezas de funcionamiento de la bomba y el medio agotado, el medio de trabajo. El medio transportado no se puede filtrar al exterior. Por lo tanto, no causará contaminación ambiental ni

peligros para la seguridad del cuerpo humano mientras se agota la toxina. y medios inflamables o corrosivos:

5. No hay electricidad. Es seguro y confiable mientras se usa en lugares inflamables y de exploración:

6. Se puede remojar en medio;

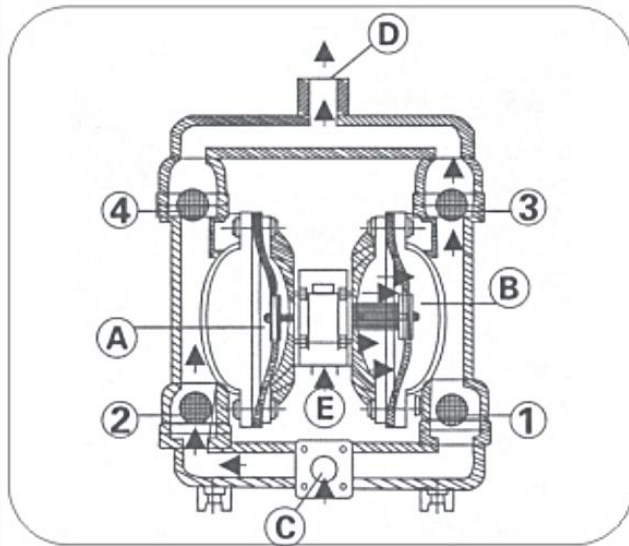
7. Es cómodo de usar y confiable para trabajar. Solo abra o cierre el cuerpo de la válvula de gas mientras arranca o para. Incluso si no hay operación media o se detiene repentinamente durante mucho tiempo debido a accidentes, la bomba no se dañará si se usa por esta vez una vez ocer-oadinc. La bomba se detendrá automáticamente y posee la función de autoprotección. Cuando la carga se recupera normalmente, también puede arrancar automáticamente;

8. Estructura simple y menos piezas de desgaste. Esta bomba tiene una estructura simple. Instalación y mantenimiento. El medio transportado por la bomba no tocará la válvula neumática ni la palanca de acoplamiento, etc. No como otros tipos de bombas, el rendimiento descenderá gradualmente debido a los daños de Rotor, engranaje y paleta, etc.

9. Puede transmitir el adhesivo (la viscosidad es inferior a 10000 centipoise)

10. Esta bomba no necesita aceite lubricante. Incluso si está en ralentí, tiene alguna influencia en la bomba. Esta es una característica de esta bomba.

OPERATIONAL PRINCIPLE

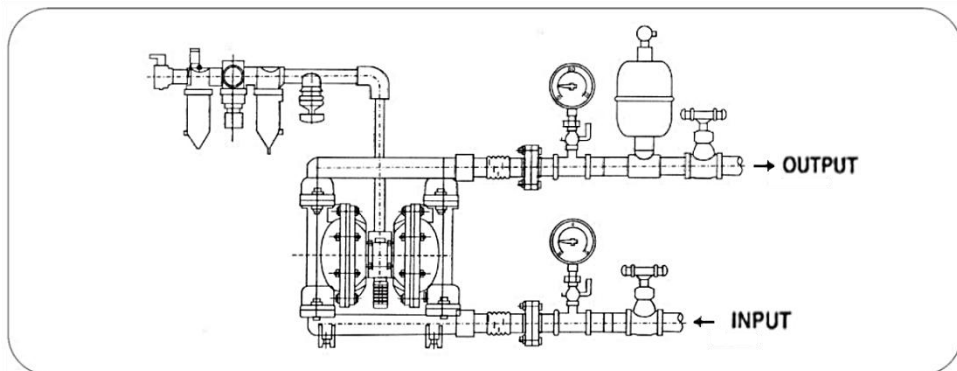


Se instala cada diafragma en ambas cavidades de trabajo alineadas (A) y (B), que se pueden conectar con una palanca de acoplamiento central. El aire de compresión ingresa a la válvula de distribución de aire desde la entrada de aire de la bomba, el aire de compresión ingresa a una cavidad a través del aire. Mecanismo de distribución, empuja hacia afuera el movimiento del diafragma en la cavidad. Se drenará el gas en otra cavidad. Una vez que llegue al terminal de carrera, el mecanismo de distribución de aire extraerá automáticamente el aire de compresión hacia otra cavidad de trabajo, empujará el diafragma hacia el lado opuesto. Dirección, para permitir que ambos diafragmas realicen continuamente movimientos alternativos en sincronismo.

El aire comprimido ingresa a la válvula de distribución de aire desde (E) como se muestra en el diagrama, deje que la pieza del diafragma se mueva en la dirección correcta. Y la fuerza de succión en la cámara (A) permite que el medio fluya desde la entrada (C). ,empuje la válvula de bola (2) para ingresar a la cámara (A), la válvula de bola (4) se bloqueará debido a la fuerza de succión; el medio en la cámara (B) se presionará para empujar la válvula de bola (3) para que fluya hacia afuera. desde la salida (D). Mientras

tanto, deje que la válvula de bola (I) se cierre para evitar el reflujó. Tal movimiento en círculos permitirá que el medio succione ininterrumpidamente desde la entrada (C) y drene desde la salida (D).

CONNECTION SCHEMATIC DIAGRAM

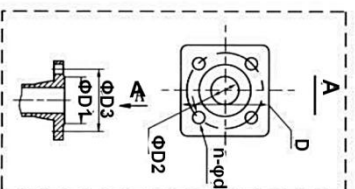
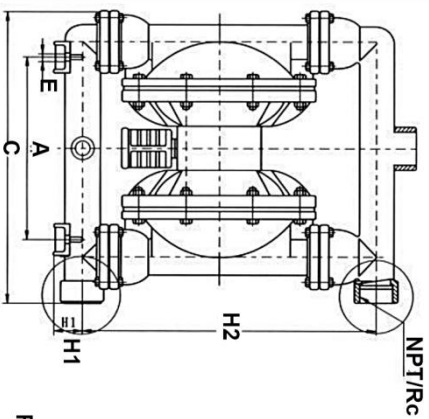


PERFORMANCE PARAMETE

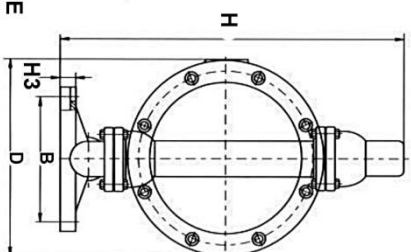
Model	Qmax (GPM)	Hmax (m)	pressure (kgf/cm ²)	Sucked lift (m)	Max grain Dia (mm)	Max pressure (kgf/cm ²)	MWPP (PSI)	Pump	
								Air Inlet Size	Inlet and outlet size
QBK-40L	44	69	6.9	5	4.5	7	115	FNPT 1/4"	1.5"
QBY4-50L	75	75	8.0	7	8.0	8	113	FNPT 1/4"	2.0"
QBY4-25L	22	73	8.0	7	4.0	8	100	FNPT 1/4"	1.0"
QBY4- 25LF46	24	70	8.0	7	4.0	8	100	FNPT 1/4"	1.0"
QBY-15PP	2.5	50	6.0	5	1.0	7	80	FNPT 1/4"	1/2"
QBK-15P	3	60	6.9	5	1.0	7	90	FNPT 1/4"	1/2"
QBK-15	3	60	6.9	5	1.0	7	90	FNPT 1/4"	1/2"

Note: Affected by the stability of gas supply and the environment, the parameters may have certain fluctuations or errors, which is a normal phenomenon.

QBK INSTALLATION SIZE CHART

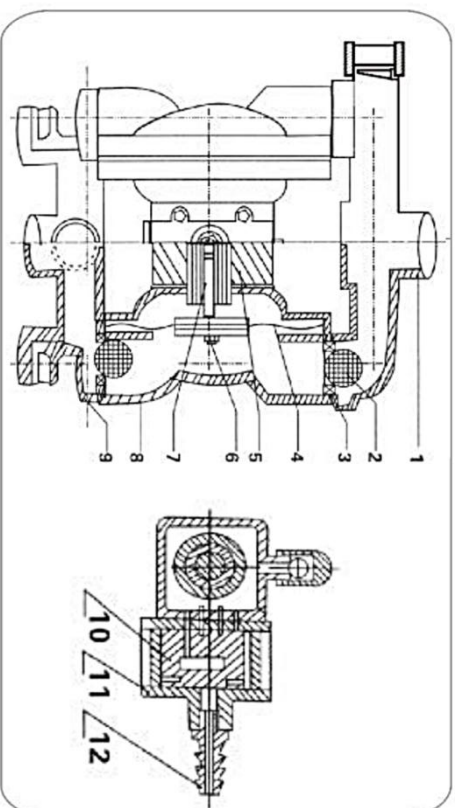


FLANG CONNECTION TYPE

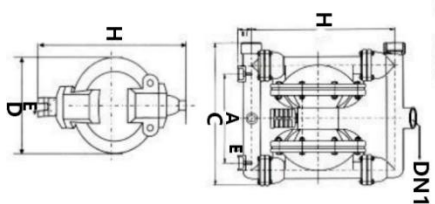


QBV - 40 Structural drawing

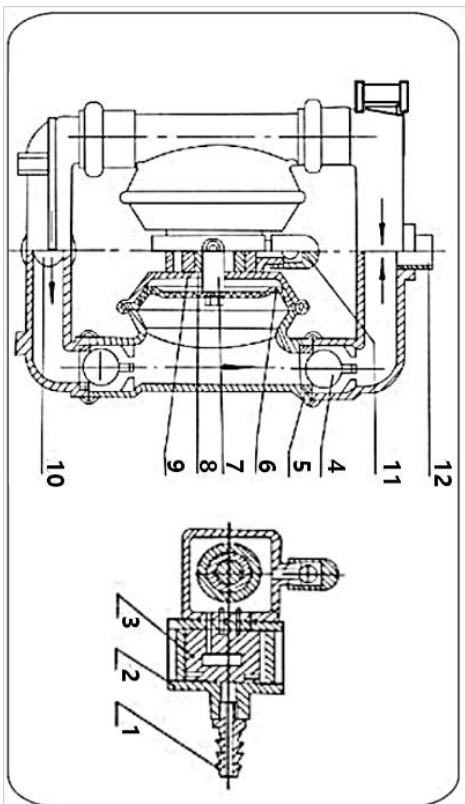
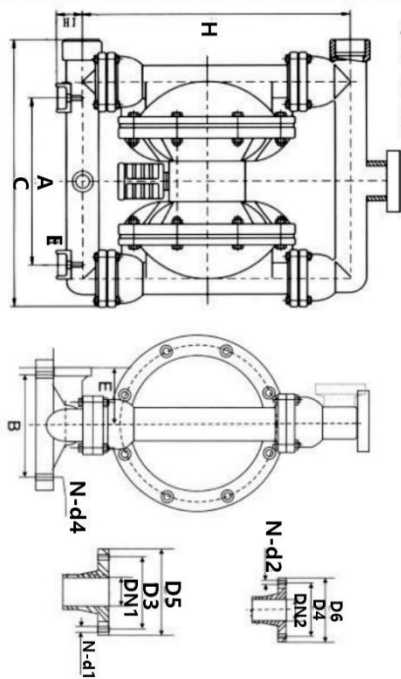
01. Outlet pipe	02. Ball sealer
03. Seal seat	04. Diaphragm vane
05. Intermediate	06. Connecting components
07. Copper roads	08. Pump body
09. Inlet pipe	10. Valve plying
12. Admission piece	13. Air distribution valve



QBY-10/40



QBY-50/100



QBY-50-100 Structural drawing

01. Admi ion piece	02. Air distribution valve
03. Air distribution valve	04. Ball sealor
05. Seal seat	06. Diaphragm vane
07. Connecting components	08. Copper roads
09. Intermediate	10. Init pipe
11. Air outlet	12. Outlet pipe

Model	A	B	D5	D6	C	H	H1	H2	DH1	DN2	N-d1	N-d2	D3	D4	E	N-d4	Outside diameter of ar inlet	Materials
QBY-10	135	53	/	/	190	235	35	220	3/8" Threaded	/	/	/	/	/	12	/	8	(HT200) (ZL104)
QBY-15	135	53	/	/	190	235	35	220	1/2" Threaded	/	/	/	/	/	12	/	8	(1Cr18Ni9Ti) (PP)
QBY-25	255	150	100	100	380	530	70		1" Threaded	1" Threaded	4-φ11	4-φ11	75	75	55	4-φ10	10	(PP) Impacts and exports are facing the edge
QBY-40	255	150	130	120	380	530	70		1 1/2" Threaded	1 1/2" Threaded	4-φ13.5	4-φ13.5	100	90	55	4-φ10	10	
QBY-25	220	160	100	100	370	460	50	410	1" Threaded	1" flange	4-φ11	4-φ11	75	75	80	4-φ12	10	(HT200)
QBY-40	220	160	130	120	370	460		410	1 1/2" Threaded	1 1/4" Threaded	4-φ13.5	4-φ13.5	100	90		4-φ12	10	(HT200)
QBY-50	340	215	140	140	550	715	95		2" flange	2" flange	4-φ13.5	4-φ13.5	110	110	145	4-φ17.5	12	(1Cr18Ni9Ti)
QBY-65	340	215	160	140	550	715	95		2 1/2" flange	2 1/2" flange	4-φ13.5	4-φ13.5	130	130	145	4-φ17.5	12	
QBY-80	360	260	190	190	580	950	100		3" flange	3" flange	4-φ17.5	4-φ17.5	150	150	130	4-φ17.5	12	(ZL104)
QBY-100	360	260	210	190	580	950	100		4" flange	3" flange	4-φ17.5	4-φ17.5	170	170	130	4-φ17.5	12	

Nota: La importación y exportación de material plástico/aluminio/aluminio fundido QBY-10 y 15 son conexiones roscadas, no azules. La importación y exportación de materiales plásticos/acero inoxidable QBY-25 y 40 son conexiones roscadas, no azules, hierro fundido/aluminio aleación y exportación son Conexión bridada y roscada de doble uso. Los QBY-50/65/80/100 tienen bridas, no tienen rosca. (Consulte las imágenes del catálogo de productos de muestra reales)

STRUCTURE DRAWING AND PARTS LIST



No.	Name	Qty	Material
1	Inlet pipe	1	Stainless steel, cast iron, aluminium alloy, plastic, inner lining FEP
2	Outlet pipe	1	Stainless steel, cast iron, aluminium alloy, plastic, inner lining FEP
3	Pump body	2	Stainless steel, cast iron, aluminium alloy, plastic, inner lining FEP
4	Pump chamber	2	Aluminium alloy, cast iron
5	Intermediate	1	Aluminium alloy
6	Diaphragm vane	2	PTFE
7	Diaphragm vane	2	Acrylonitrile butadiene rubber, polychloroprene
8	Intermediate seal gasket	2	Acrylonitrile butadiene rubber
9	Driving shaft housing	2	Plastic
10	Connecting rod shaft housing	2	Plastic
11	Piston bush	2	Plastic
12	Piston	2	Plastic
13	Slipper block	1	Aluminium alloy
14	Slipper block	1	Chromium-plated steel
15	Sealing slip ring	1	Plastic
16	Driving slipper block	1	Plastic
17	Cover plate	1	Aluminium alloy
18	Cover plate gasket	1	Rubber
19	Muffler	1	Plastic
20	Seal seat	4	Rubber
21	Seal seat	4	PTFE
22	Clamping bar	4	Stainless steel, carbon steel
23	Connecting rod	1	Stainless steel
24	Compression spring	1	Copper
25	Driving shaft	1	Stainless steel
26	Seal ring of driving shaft	2	Rubber
27	Y-type O-ring	4	Rubber
28	O-ring	1	Rubber
29	Butterfly-type O-ring	1	Rubber
30	Inlet nozzle	1	Copper
31	Ball sealer	4	Rubber
32	Ball sealer	4	Stainless steel, ceramic, PTFE

MATTERS NEED ATTENTION

1. Si la vibración de la bomba es muy leve, generalmente no es necesario instalar los pernos de base.
- 2.1 Si el aire comprimido se mezcla con objetos sucios, se verá afectado el arranque normal de la bomba. Se sugiere que el usuario instale adicionalmente las piezas neumáticas triples.
3. Cuando bombee medios que se congelarán o depositarán fácilmente, instale una válvula en la entrada de la bomba. Si la bomba se detiene, primero cierre la válvula y luego haga funcionar la bomba durante varios minutos para vaciar los medios dentro del Bombee y limpie el líquido acumulado dentro de la bomba a tiempo, para evitar dificultades al arrancar la bomba la próxima vez.
4. Al reemplazar el diafragma, limpie la biela en la cavidad interior y el casquillo de cobre de la bomba. Y evite dañar el anillo de sello de PTFE blanco. Realice el reensamblaje como original y se podrá usar la bomba.

FAULT AND EXCLUSION

Malfunction forms	Causes	Troubleshooting
<p>No water comes out from the pump or the flow is insufficient.</p>	<ol style="list-style-type: none"> 1、 The air pressure is insufficient. 2、 The flow channel of the pump cavity is blocked 3、 The valve is not opened 	<ol style="list-style-type: none"> 1、 Add the air pressure 2、 Open the pump cavity for cleaning 3、 Open the valve
<p>The pump stops its operation</p>	<ol style="list-style-type: none"> 1、 The air distribution valve is damaged 2、 The diaphragm is damaged 3、 The muffler is blocked 4、 Air leakage occurs in the connecting rod seal 	<ol style="list-style-type: none"> 1、 Repair or replace the air distribution valve 2、 Replace the diaphragm 3、 Clean the muffler. 4、 Replace the connecting rod seal
<p>The lift is too low</p>	<ol style="list-style-type: none"> 1、 The suction valve is damaged 2、 The flow is too high 3、 The air pressure is too low 	<ol style="list-style-type: none"> 1、 Shorten the pipe and reduce elbows 2、 Turn down the drain valve. 3、 Add the air pressure
<p>The noise is too low</p>	<ol style="list-style-type: none"> 1、 The muffler is broken 	<ol style="list-style-type: none"> 1、 Add the air pressure.

Hecho en china

VEVOR[®]

TOUGH TOOLS, HALF PRICE

Técnico Certificado de soporte y garantía electrónica

www.vevor.com/support

VEVOR[®]

TOUGH TOOLS, HALF PRICE

Techniczny Certyfikat wsparcia i e-gwarancji

www.vevor.com/support

Podwójny sterowany powietrzem Pompa membranowa Instrukcje

**MODEL: QBK-40L / QBY4-50L / QBY4-25L /
QBY4-25LF46 / QBY-15PP / QBK-15P / QBK-15**

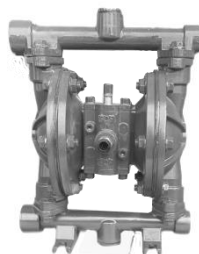
We continue to be committed to provide you tools with competitive price. "Save Half", "Half Price" or any other similar expressions used by us only represents an estimate of savings you might benefit from buying certain tools with us compared to the major top brands and does not necessarily mean to cover all categories of tools offered by us. You are kindly reminded to verify carefully when you are placing an order with us if you are actually saving half in comparison with the top major brands.

VEVOR[®]

TOUGH TOOLS, HALF PRICE

Air Operated Double Diaphragm Pump

MODEL: QBK-40L/QBY4-50L/QBY4-25L/QBY4-25LF46 / QBY-15PP/QBK-15P/QBK-15



NEED HELP? CONTACT US!

Have product questions? Need technical support? Please feel free to contact us:

Technical Support and E-Warranty Certificate
www.vevor.com/support

This is the original instruction, please read all manual instructions carefully before operating. VEVOR reserves a clear interpretation of our user manual. The appearance of the product shall be subject to the product you received. Please forgive us that we won't inform you again if there are any technology or software updates on our product.



Ostrzeżenie — aby zmniejszyć ryzyko obrażeń, użytkownik musi uważnie przeczytać instrukcję obsługi.

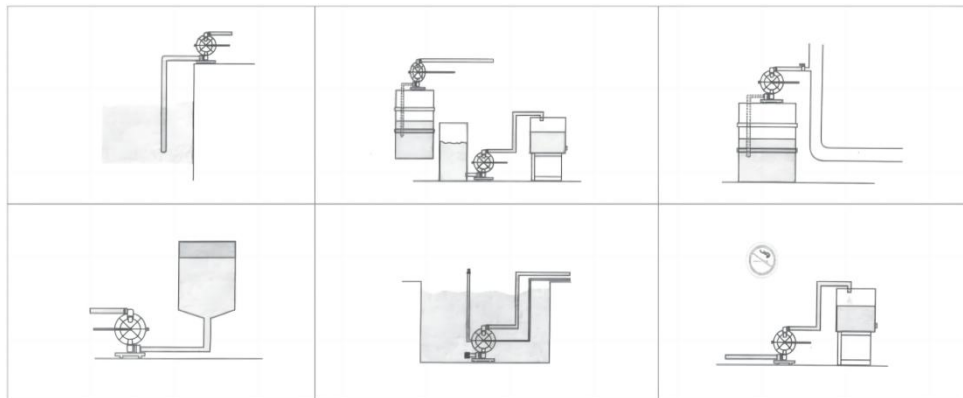
PRODUCT PRESENTATION

Ta seria pomp membranowych to najnowszy model w domu. Są służyć do usuwania i zasysania różnych żrących cieczy zawierających granulki, lepkich, lotnych, zapalnych, wybuchowych lub trujących płyn, zawiesina porcelany, puree owocowe, komin regeneracja oleju resztkowego w cysternie. Tymczasowa rewersja cysterny itp. Parametry wydajności tej serii są zbliżone do głównie Germa WLLDENPUMPS i amerykańskie MARI0-WPUMPS Elementy mające kontakt z przepływem wykonane są ze stali nierdzewnej, stopu aluminium, żeliwa i tworzyw sztucznych, a membrana jest wykonana z NBR, vitonu, neoprenu lub PTFE .

MAIN APPLICATION

1. Pompa może zasysać orzeszki ziemne, pikle, pomidory, gnojowicę, czerwoną kiełbasę, czekoladę, chmiel i syrop itp.
2. Pompa może zasysać farbę, pigment, klej i klej itp.;
3. Pompa może zasysać różne szlamy z płytek ceramicznych, porcelany, cegły, porcelany itp.
4. Pompa może zasysać różne materiały szlifierskie, środki korozyjne i usuwać brud olejowy itp.
5. Pompa może zasysać różne toksyny, łatwopalne lub lotne ciecze itp.
6. Pompa może zasysać różne wody klinowe, szlam cementowy i zaprawę itp
7. Pompa może zasysać różne mocne kwasy, zasady i żrące ciecze itp.
8. Może być używany jako urządzenie transmisyjne z przodu sprzętu do separacji ciał stałych i cieczy.

WAY TO INSTALL



PERFORMANCE CHARACTERISTICS

Sterowane powietrzem pompy z podwójną membraną nie tylko mogą odprowadzać przepływającą ciecz, ale także tłoczą pewne niespokojne medium dzięki zaletom pompy samopompującej, pompy nurkowej, pompy osłonowej, pompy do szlamu i pompy do zanieczyszczeń itp.

1. Nie ma potrzeby nalewania wody czerpanej, wysokość ssania osiąga 7 m, wysokość podnoszenia sięga 50 m i the ciśnienie eksportu $>6\text{kgf/cm}^2$;
2. Szeroki przepływ i dobra wydajność. Średnica, która może przejść przez maksymalne ziarno, sięga 10 mm. Uszkodzenia są bardzo mniejsze do pompy podczas usuwania szlamu i zanieczyszczeń;
3. Czas dostawy i przepływ mogą spowodować otwarcie zaworu pneumatycznego w celu dokonania bezstopniowej regulacji (regulacja ciśnienia pneumatycznego wynosi od 2 do 8kgf/cm^2) ;
4. Ta pompa nie ma części obrotowych ani uszczelek łożysk. Membrana całkowicie oddzieli zużyte części robocze pompy od czynnika roboczego. Przenoszone medium nie może wyciekać na zewnątrz. W ten sposób nie spowoduje zanieczyszczenia środowiska i bezpieczeństwa ludzkiego podczas usuwania toksyny i łatwopalne lub żrące;
5. Żadna energia elektryczna nie jest bezpieczna i niezawodna podczas

używania w miejscach łatwopalnych i eksploracyjnych:

6. Można go namoczyć w medium;

7. Jest wygodny w użyciu i niezawodny w pracy. Korpus zaworu gazowego otwieraj lub zamykaj tylko podczas uruchamiania lub zatrzymywania.

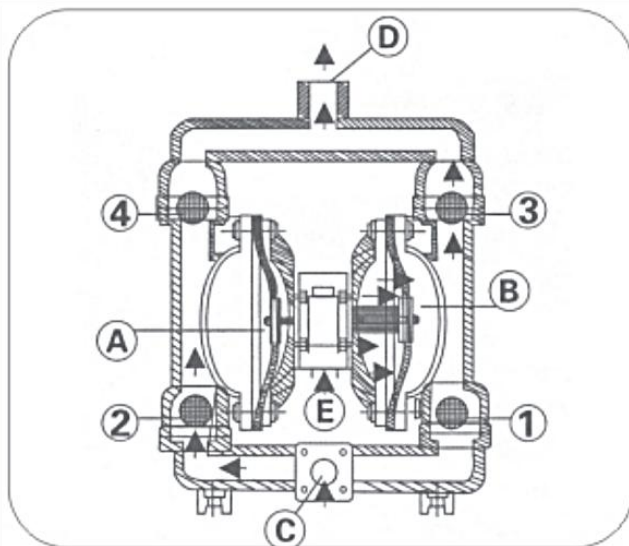
Nawet przy braku średniej pracy lub nagłej przerwie na długi czas z powodu wypadku, pompa nie ulegnie uszkodzeniu przez to po uruchomieniu. Pompa wyłączy się automatycznie i posiada funkcję samoczynnego zabezpieczenia. Kiedy lore normalnie się powróci, może również uruchomić się automatycznie;

8. Prosta konstrukcja i mniej zużywających się części. Ta pompa ma prostą konstrukcję. Instalacja i konserwacja. Średni transport przez pompę nie będzie dotykał dopasowanego zaworu pneumatycznego i dźwigni sprzęgającej itp. W przeciwieństwie do innych rodzajów pomp, wydajność Ance będzie spadać stopniowo z powodu uszkodzeń wirnik, przekładnia i łopatka itp.

9. Może przenosić klej (lepkość jest poniżej 10000 centypuazów)

10. Ta pompa nie wymaga smarowania olejem. Nawet na biegu jałowym ma to jakikolwiek wpływ na pompę. Jest to cecha charakterystyczna tej pompy

OPERATIONAL PRINCIPLE

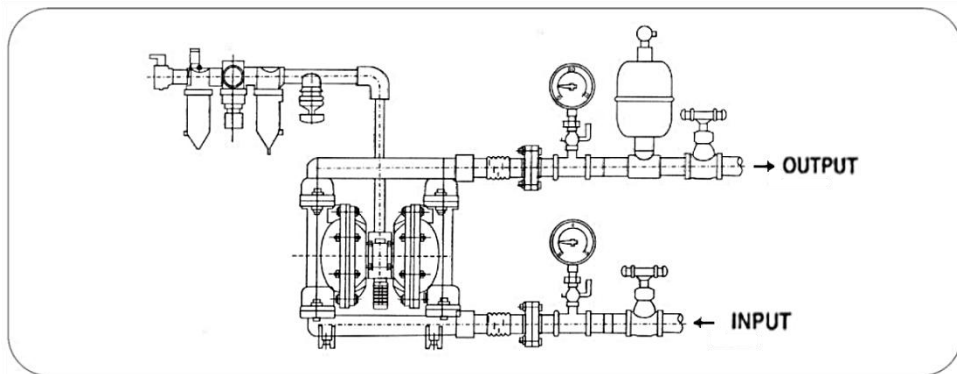


Każdą membranę instaluje się w obu wyrównanych wnękach roboczych (A) i (B), które można połączyć razem z centralną dźwignią sprzęgającą. Sprężone powietrze wchodzi do zaworu dystrybucji powietrza od wlotu powietrza do pompy, a sprężone powietrze do jednej wnęki przez powietrze mechanizmu rozprowadzającego, wypchnij ruch membrany we wnęcie. Gaz z innej wnęki zostanie spuszczoney. Po dotarciu do końca skoku, mechanik dystrybucji powietrza automatycznie zasysa powietrze sprężające do innej wnęki roboczej, wypchnij membranę, aby przesunąć się w przeciwnym kierunku kierunku, tak aby obie membrany wykonywały ciągły ruch posuwisto-zwrotny w synchronizacji.

Sprężone powietrze wpływa do zaworu rozprowadzającego powietrze od strony (E) pokazanej na schemacie, należy pozwolić membranę przesunąć się we właściwym kierunku. Siła ssania w komorze (A) umożliwia przepływ medium do wejścia (C) wypchnij zawór kulowy (2), aby wejść do komory (A), zawór kulowy (4) zostanie zablokowany z powodu siły ssania; Medium w komorze (B) zostanie wyciśnięte i wypchnij zawór kulowy (3), aby wypłynąć od wejścia (D). W międzyczasie zamknij zawór kulowy (1), zapobiegając

przepływowi wstecznemu. Takie poruszanie się w kółko pozwoli, aby medium nieprzerwanie zasysało z wejścia (C) i sphywało z wyjścia (D).

CONNECTION SCHEMATIC DIAGRAM

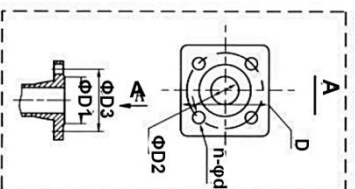
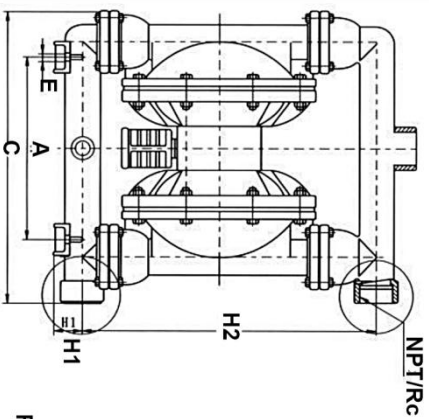


PERFORMANCE PARAMETE

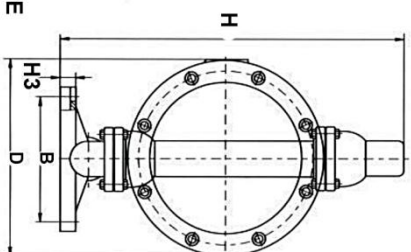
Model	Qmax (GPM)	Hmax (m)	pressUSE (kgf/cm ²)	Sucked lift (m)	Max grain Dia (mm)	Max pressure (kgf/cm ²)	MWP (PSI)	Pump	
								Air Inlet Size	Inlet and outlet size
QBK-40L	44	69	6.9	5	4.5	7	115	FNPT 1/4"	1.5"
QBY4-50L	75	75	8.0	7	8.0	8	113	FNPT 1/4"	2.0"
QBY4-25L	22	73	8.0	7	4.0	8	100	FNPT 1/4"	1.0"
QBY4- 25LF46	24	70	8.0	7	4.0	8	100	FNPT 1/4"	1.0"
QBY-15PP	2.5	50	6.0	5	1.0	7	80	FNPT 1/4"	1/2"
QBK-15P	3	60	6.9	5	1.0	7	90	FNPT 1/4"	1/2"
QBK-15	3	60	6.9	5	1.0	7	90	FNPT 1/4"	1/2"

Note: Affected by the stability of gas supply and the environment, the parameters may have certain fluctuations or errors, which is a normal phenomenon.

QBK INSTALLATION SIZE CHART

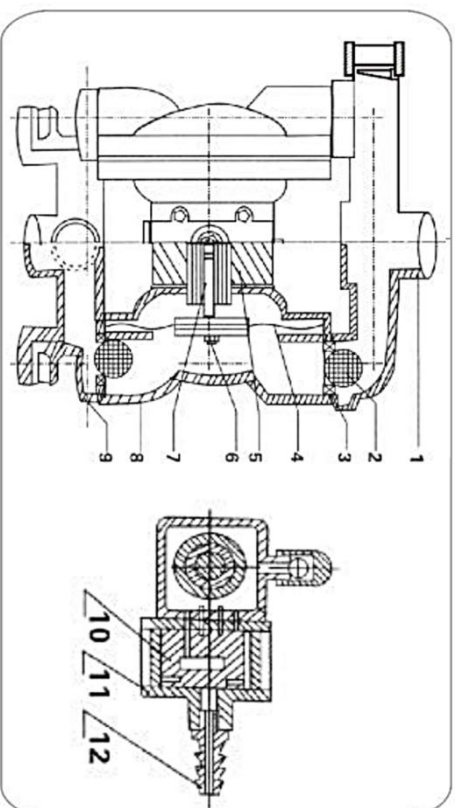


FLANG CONNECTION TYPE

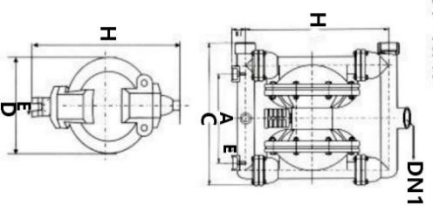


QBV - 40 Structural drawing

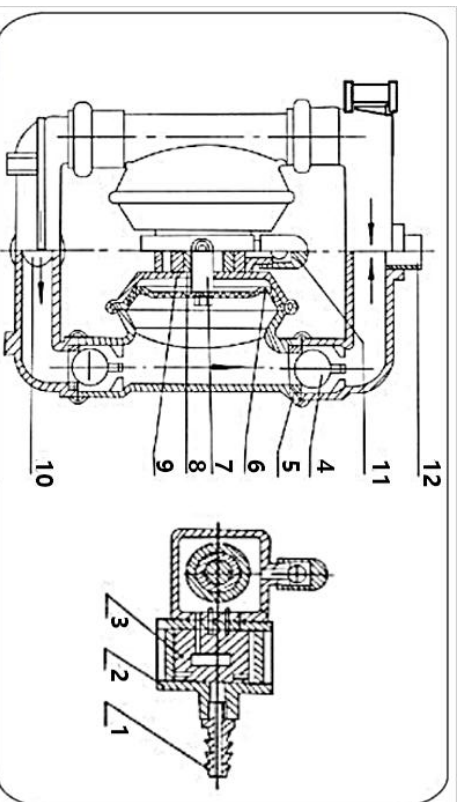
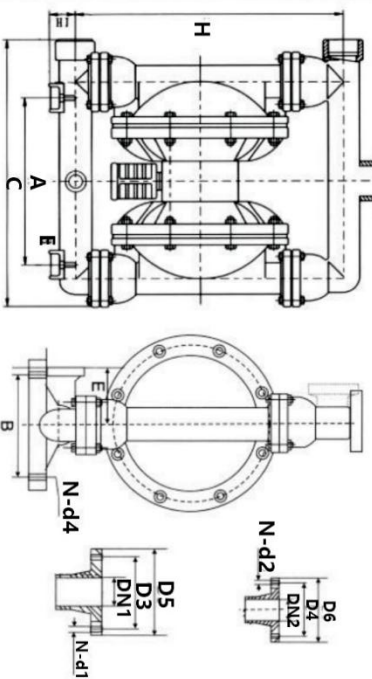
01. Outlet pipe	02. Ball sealer
03. Seal seat	04. Diaphragm vane
05. Intermediate	06. Connecting components
07. Copper roads	08. Pump body
09. Inlet pipe	10. Valve plug
12. Admission piece	13. Air distribution valve



QBY-10/40



QBY-50/100



QBY-50-100 Structural drawing

01. Admi ion piece	02. Air distribution valve
03. Air distribution valve	04. Ball sealor
05. Seal seat	06. Diaphragm vane
07. Connecting components	08. Copper roads
09. Intermediate	10. Inlt pipe
11. Air outlet	12. Outlet pipe

Model	A	B	D5	D6	C	H	H1	H2	DH1	DN2	N-d1	N-d2	D3	D4	E	N-d4	Outside diameter of ar inlet	Materials
QBY-10	135	53	/	/	190	235	35	220	3/8" Threaded	/	/	/	/	/	12	/	8	(HT200) (ZL104)
QBY-15	135	53	/	/	190	235	35	220	1/2" Threaded	/	/	/	/	/	12	/	8	(1Cr18Ni9Ti) (PP)
QBY-25	255	150	100	100	380	530	70		1" Threaded	1"	4-φ11	4-φ11	75	75	55	4-φ10	10	(PP) inppats and exports are facing the edge
QBY-40	255	150	130	120	380	530	70		1 1/2" Threaded	1 1/2" Threaded	4-φ13.5	4-φ13.5	100	90	55	4-φ10	10	
QBY-25	220	160	100	100	370	460	50	410	1" Threaded	1"	4-φ11	4-φ11	75	75	80	4-φ12	10	(HT200)
QBY-40	220	160	130	120	370	460		410	1 1/2" Threaded	1 1/4" Threaded	4-φ13.5	4-φ13.5	100	90		4-φ12	10	(HT200)
QBY-50	340	215	140	140	550	715	95		2" flange	2"	4-φ13.5	4-φ13.5	110	110	145	4-φ17.5	12	(1Cr18Ni9Ti)
QBY-65	340	215	160	140	550	715	95		2 1/2" flange	2 1/2" flange	4-φ13.5	4-φ13.5	130	130	145	4-φ17.5	12	
QBY-80	360	260	190	190	580	950	100		3" flange	3" flange	4-φ17.5	4-φ17.5	150	150	130	4-φ17.5	12	(ZL104)
QBY-100	360	260	210	190	580	950	100		4" flange	3" flange	4-φ17.5	4-φ17.5	170	170	130	4-φ17.5	12	

Uwaga: Import i eksport żeliwa/aluminium/stali nierdzewnej/tworzyw sztucznych QBY-10 i 15 to połączenia gwintowe, a nie niebieskie. Import i eksport QBY-25 i 40 ze stali nierdzewnej/tworzyw sztucznych to połączenia gwintowe, a nie niebieskie, żeliwo/aluminium stop i eksport są kołnierzowe, połączenie gwintowe podwójnego zastosowania. QBY-50/65/80/100 są kołnierzowe, a nie gwintowane. (Proszę zapoznać się z rzeczywistymi przykładowymi zdjęciami z katalogu produktów)

STRUCTURE DRAWING AND PARTS LIST



No.	Name	Qty	Material
1	Inlet pipe	1	Stainless steel, cast iron, aluminium alloy, plastic, inner lining FEP
2	Outlet pipe	1	Stainless steel, cast iron, aluminium alloy, plastic, inner lining FEP
3	Pump body	2	Stainless steel, cast iron, aluminium alloy, plastic, inner lining FEP
4	Pump chamber	2	Aluminium alloy, cast iron
5	Intermediate	1	Aluminium alloy
6	Diaphragm vane	2	PTFE
7	Diaphragm vane	2	Acrylonitrile butadiene rubber, polychloroprene
8	Intermediate seal gasket	2	Acrylonitrile butadiene rubber
9	Driving shaft housing	2	Plastic
10	Connecting rod shaft housing	2	Plastic
11	Piston bush	2	Plastic
12	Piston	2	Plastic
13	Slipper block	1	Aluminium alloy
14	Slipper block	1	Chromium-plated steel
15	Sealing slip ring	1	Plastic
16	Driving slipper block	1	Plastic
17	Cover plate	1	Aluminium alloy
18	Cover plate gasket	1	Rubber
19	Muffler	1	Plastic
20	Seal seat	4	Rubber
21	Seal seat	4	PTFE
22	Clamping bar	4	Stainless steel, carbon steel
23	Connecting rod	1	Stainless steel
24	Compression spring	1	Copper
25	Driving shaft	1	Stainless steel
26	Seal ring of driving shaft	2	Rubber
27	Y-type O-ring	4	Rubber
28	O-ring	1	Rubber
29	Butterfly-type O-ring	1	Rubber
30	Inlet nozzle	1	Copper
31	Ball sealer	4	Rubber
32	Ball sealer	4	Stainless steel, ceramic, PTFE

MATTERS NEED ATTENTION

1. Jeżeli wibracje pompy są bardzo niewielkie, generalnie nie ma potrzeby instalowania śrub fundamentowych.

2.1 Jeśli sprężone powietrze zostanie zmieszane z zanieczyszczeniami, będzie to miało wpływ na normalny rozruch pompy. Sugeruje się, aby użytkownik dodatkowo zamontował potrójne części pneumatyczne.

3. Podczas pompowania mediów, które łatwo zamarzają lub osadzają się, należy zainstalować zawór na wlocie pompy. Jeśli pompa ma zostać zatrzymana, należy najpierw zamknąć zawór, a następnie uruchomić pompę na kilka minut, aby opróżnić media wewnątrz pomp i na czas wyczyścić nagromadzoną w pompie ciecz, aby uniknąć trudności przy następnym uruchomieniu pompy.

4. Podczas wymiany membrany należy oczyścić korbowód w wewnętrznej wnęce i miedzianą tuleję pompy. Należy też unikać uszkodzenia białego pierścienia uszczelniającego z PTFE. Wykonać ponowny montaż zgodnie z oryginałem, aby można było używać pompy.

FAULT AND EXCLUSION

Malfunction forms	Causes	Troubleshooting
No water comes out from the pump or the flow is insufficient.	<ol style="list-style-type: none"> 1、 The air pressure is insufficient. 2、 The flow channel of the pump cavity is blocked 3、 The valve is not opened 	<ol style="list-style-type: none"> 1、 Add the air pressure 2、 Open the pump cavity for cleaning 3、 Open the valve
The pump stops its operation	<ol style="list-style-type: none"> 1、 The air distribution valve is damaged 2、 The diaphragm is damaged 3、 The muffler is blocked 4、 Air leakage occurs in the connecting rod seal 	<ol style="list-style-type: none"> 1、 Repair or replace the air distribution valve 2、 Replace the diaphragm 3、 Clean the muffler. 4、 Replace the connecting rod seal
The lift is too low	<ol style="list-style-type: none"> 1、 The suction valve is damaged 2、 The flow is too high 3、 The air pressure is too low 	<ol style="list-style-type: none"> 1、 Shorten the pipe and reduce elbows 2、 Turn down the drain valve. 3、 Add the air pressure
The noise is too low	<ol style="list-style-type: none"> 1、 The muffler is broken 	<ol style="list-style-type: none"> 1、 Add the air pressure.

Wyprodukowano w Chinach

VEVOR[®]

TOUGH TOOLS, HALF PRICE

Techniczny Certyfikat wsparcia i e-gwarancji

www.vevor.com/support

VEVOR[®]

TOUGH TOOLS, HALF PRICE

Technisch Ondersteuning en e-garantiecertificaat

www.vevor.com/support

Luchtbediende dubbel Diafragma pomp Instructies

**MODEL: QBK-40L / QBY4-50L / QBY4-25L /
QBY4-25LF46 / QBY-15PP / QBK-15P / QBK-15**

We continue to be committed to provide you tools with competitive price.

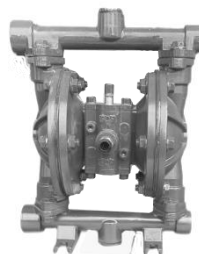
"Save Half", "Half Price" or any other similar expressions used by us only represents an estimate of savings you might benefit from buying certain tools with us compared to the major top brands and does not necessarily mean to cover all categories of tools offered by us. You are kindly reminded to verify carefully when you are placing an order with us if you are actually saving half in comparison with the top major brands.

VEVOR®

TOUGH TOOLS, HALF PRICE

Air Operated Double Diaphragm Pump

MODEL: QBK-40L/QBY4-50L/QBY4-25L/QBY4-25LF46 / QBY-15PP/QBK-15P/QBK-15



NEED HELP? CONTACT US!

Have product questions? Need technical support? Please feel free to contact us:

Technical Support and E-Warranty Certificate
www.vevor.com/support

This is the original instruction, please read all manual instructions carefully before operating. VEVOR reserves a clear interpretation of our user manual. The appearance of the product shall be subject to the product you received. Please forgive us that we won't inform you again if there are any technology or software updates on our product.



Waarschuwing-Om het risico op letsel te verminderen, moet de gebruiker de handleiding zorgvuldig lezen.

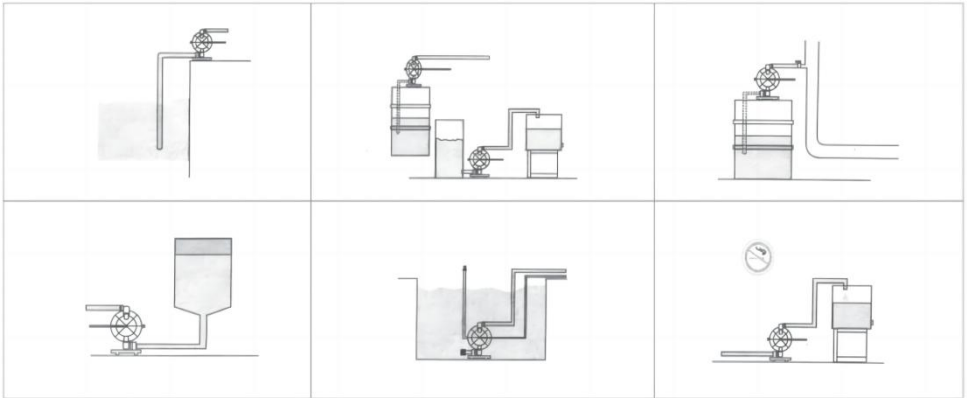
PRODUCT PRESENTATION

Deze serie membraanpompen zijn het nieuwste model in huis. Dat zijn ze ook functioneerde voor het verwijderen en opzuigen van verschillende bijtende vloeistoffen die korrels bevatten, stroperig, vluchtig, ontvlambaar, explosief of giftige vloeistof, porseleinen slurry, gepureerd fruit, rookkanaal terugwinning van resterende olie in tanker. tijdelijke omkering van tanker, enz., De prestatieparameters van deze serie liggen dicht bij scheet van Germam WLLDENPUMPS en Amerikaanse MARI0-WPUMPS De componenten die in contact komen met de stroming zijn gemaakt van roestvrij staal, aluminiumlegering, gietijzer en kunststof, terwijl het diafragma van NBR, viton, neopreen of PTFE is .

MAIN APPLICATION

1. De pomp kan de pinda, augurken, tomaat, drijfmest, rode worst, chocolade, hop zuigen en siroop, enz.
2. De pomp kan de verf, het pigment, de lijm en de lijm enz. zuigen;
3. De pomp kan verschillende glezed-slurries van tegels, porselein, porselein en porselein enz. zuigen.
4. De pomp kan verschillende maalmaterialen, bijtende stoffen opzuigen en het olievuil etc. reinigen.
5. De pomp kan verschillende toxines en brandbare of vluchtige vloeistoffen enz. opzuigen.
6. De pomp kan verschillende wigwater, cementslurry en mortel enz. Zuigen
7. De pomp kan verschillende sterke zure, alkalische en corrosieve vloeistoffen enz. Zuigen.
8. Het kan worden gebruikt als een front-step-transmisson-apparaat van de vaste en vloeibare scheidingsapparatuur.

WAY TO INSTALL



PERFORMANCE CHARACTERISTICS

Luchtaangedreven dubbelmembraanpompen kunnen niet alleen de stroomvloeistof afvoeren, maar ook een ongemakkelijk stromend medium transporteren met de voordelen van een zelfpompende pomp, duikpomp, schildpomp, drijfmestpomp en onzuiverheidspomp enz.

1. Het is niet nodig om het tekenwater te gieten, de zuiglift bereikt een hoogte van 7 m, de leveringslift bereikt een lengte van 50 m en de exportdruk $>6 \text{ kgf/cm}^2$;
2. Brede stroom en goede prestaties. De diameter die de maximale korrel mag passeren, bereikt 10 mm. De schade is zeer minder naar de pomp terwijl de slurry en onzuiverheid worden afgevoerd;
3. De levensduur en de stroom kunnen de pneumatische klep open laten om de traploze aanpassing te realiseren (de pneumatische drukaanpassing ligt tussen $2-8 \text{ kgf/cm}^2$) ;
4. Deze pomp heeft geen roterende delen en geen lagerafdichtingen. Het membraan zal het uitgeputte medium volledig scheiden van de lopende delen van de pomp, het werkmedium. Het getransporteerde medium kan niet naar buiten lekken. Het zal dus niet leiden tot milieuvervuiling en de veiligheid van het menselijk lichaam terwijl het gif wordt uitgeput. en

brandbaar of bijtend middel:

5. Geen elektriciteit. Het is veilig en betrouwbaar tijdens gebruik op ontvlambare plaatsen en om plaatsen te verkennen:

6. Het kan in medium worden gedrenkt;

7. Het is handig in gebruik en betrouwbaar om te werken. Open of sluit het gasklephuis alleen tijdens het starten of stoppen. Zelfs als er geen middelmatige werking is of als gevolg van een ongeluk langdurig plotseling wordt gepauzeerd, zal de pomp door dit gebruik niet worden beschadigd.

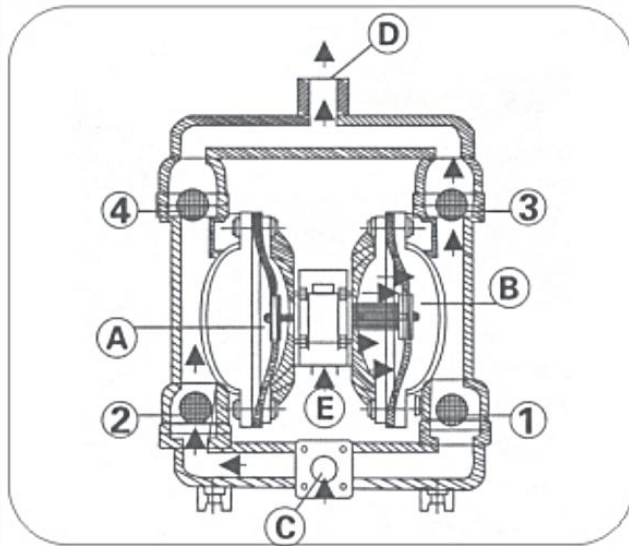
De pomp stopt automatisch en beschikt over een zelfdetectiefunctie. Wanneer de pomp zich normaal herstelt, kan deze ook automatisch starten;

8. Eenvoudige structuur en minder slijtende onderdelen. Deze pomp is eenvoudig van structuur. Installatie en onderhoud. Het middelgrote transportmiddel van de pomp zal de bijpassende pneumatische klep en koppelingshendel enz. Niet raken. Niet zoals bij andere soorten pompen, zal de prestatie geleidelijk naar beneden vallen vanwege de schade van rotor, toestel en vaan enz.

9. Het kan de lijm overbrengen (de viscositeit is lager dan 10.000 centipoise)

10. Deze pomp heeft geen oliesmeermiddel nodig. Zelfs als deze stationair draait, heeft deze enige invloed op de pomp. Dit is een kenmerk van deze pomp

OPERATIONAL PRINCIPLE

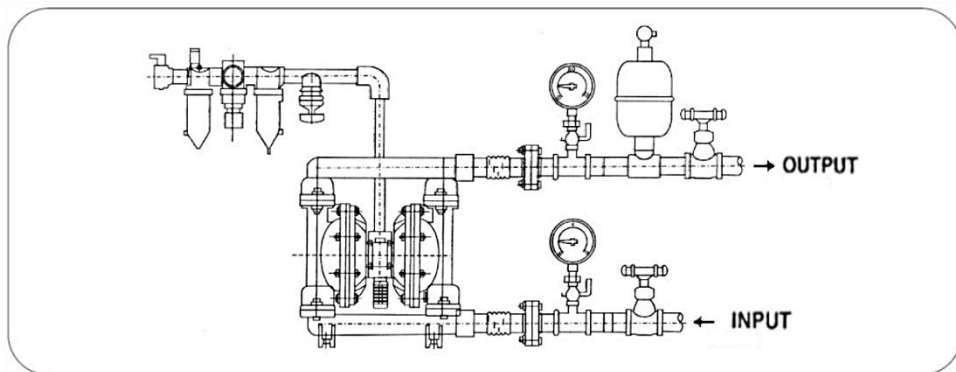


Daar wordt elk membraan in beide uitgelijnde werkholten (A) en (B) geïnstalleerd, die met elkaar kunnen worden verbonden met een centrale koppelingshendel. De compressielucht komt de luchtverdeelklep binnen vanaf de luchtingang van de pomp, de compressielucht in één holte door de lucht distributiemechanisme, duw de membraanbeweging in de holte naar buiten. Het gas in een andere holte zal worden afgevoerd. Zodra het slagterminal is bereikt, zal het luchtdistributiemechanisme automatisch de compressielucht naar een andere werkholte zuigen, het membraan naar buiten duwen om naar het tegenovergestelde te bewegen richting, zodat beide diafragma's voortdurend synchroon bewegen.

De compressielucht komt de luchtverdeelklep binnen vanaf (E), weergegeven in het diagram, laat het membraanstuk in de goede richting bewegen. En de zuigkracht in (A) kamer laat het medium vanuit (C) ingang naar binnen stromen Duw de kogelkraan (2) naar buiten om de kamer (A) binnen te gaan, de kogelkraan (4) wordt vergrendeld vanwege de zuigkracht; het medium in de (B) kamer wordt ingedrukt en duw de kogelkraan (3) naar buiten om naar buiten te stromen Laat ondertussen de kogelkraan (1) sluiten en voorkom terugstroming. Een dergelijke beweging in cirkels zorgt

ervoor dat het medium ononderbroken uit de ingang (C) zuigt en uit de uitgang (D) wegstroomt.

CONNECTION SCHEMATIC DIAGRAM

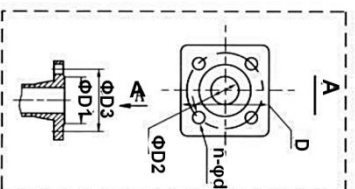
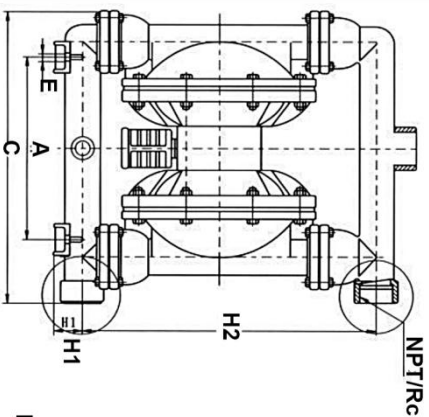


PERFORMANCE PARAMETE

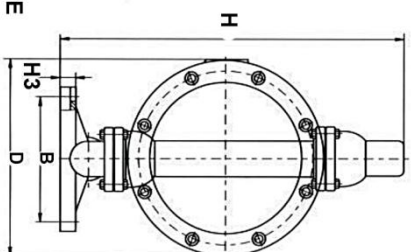
Model	Qmax (GPM)	Hmax (m)	pressUSE (kgf/cm ²)	Sucked lift (m)	Max grain Dia (mm)	Max pressure (kgf/cm ²)	MWP (PSI)	Pump	
								Air Inlet Size	Inlet and outlet size
QBK-40L	44	69	6.9	5	4.5	7	115	FNPT 1/4"	1.5"
QBY4-50L	75	75	8.0	7	8.0	8	113	FNPT 1/4"	2.0"
QBY4-25L	22	73	8.0	7	4.0	8	100	FNPT 1/4"	1.0"
QBY4- 25LF46	24	70	8.0	7	4.0	8	100	FNPT 1/4"	1.0"
QBY-15PP	2.5	50	6.0	5	1.0	7	80	FNPT 1/4"	1/2"
QBK-15P	3	60	6.9	5	1.0	7	90	FNPT 1/4"	1/2"
QBK-15	3	60	6.9	5	1.0	7	90	FNPT 1/4"	1/2"

Note: Affected by the stability of gas supply and the environment, the parameters may have certain fluctuations or errors, which is a normal phenomenon.

QBK INSTALLATION SIZE CHART

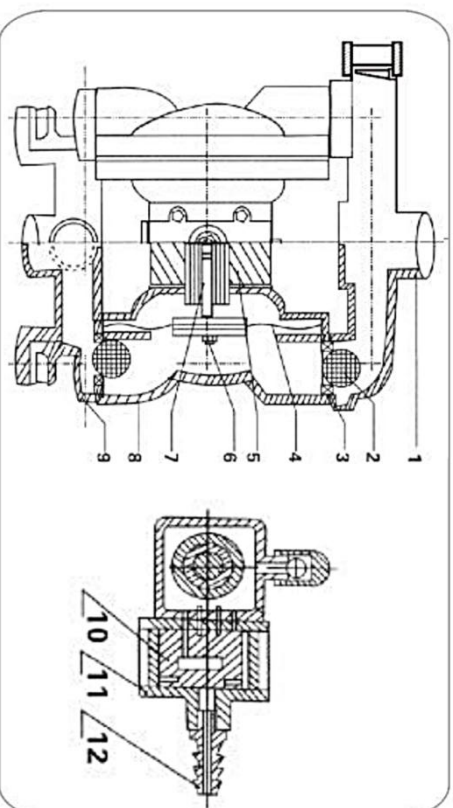


FLANG CONNECTION TYPE

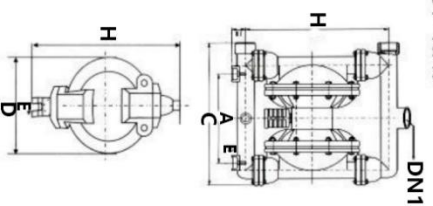


QBV - 40 Structural drawing

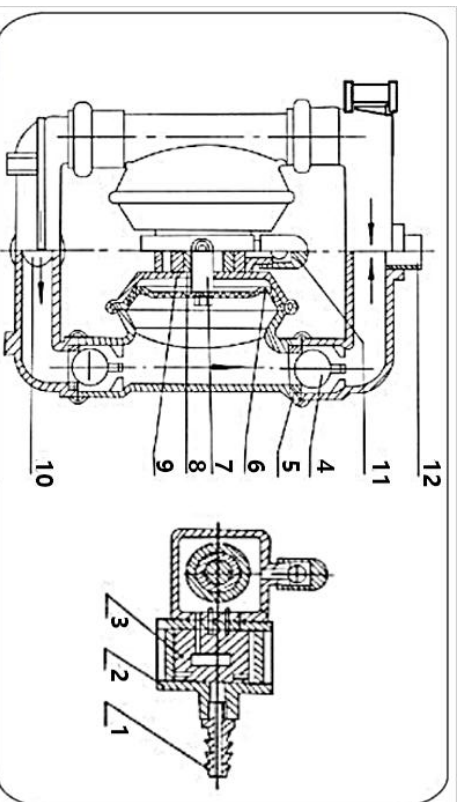
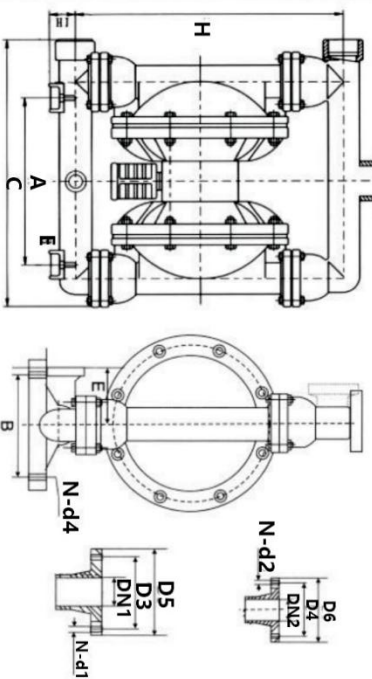
01. Outlet pipe	02. Ball sealer
03. Seal seat	04. Diaphragm vane
05. Intermediate	06. Connecting components
07. Copper roads	08. Pump body
09. Inlet pipe	10. Valve pliy
12. Admion piece	13. Air distribution valve



QBY-10/40



QBY-50/100



QBY-50-100 Structural drawing

01. Admi ion piece	02. Air distribution valve
03. Air distribution valve	04. Ball sealor
05. Seal seat	06. Diaphragm vane
07. Connecting components	08. Copper roads
09. Intermediate	10. Inlt pipe
11. Air outlet	12. Outlet pipe

Model	A	B	D5	D6	C	H	H1	H2	DH1	DN2	N-d1	N-d2	D3	D4	E	N-d4	Outside diameter of ar inlet	Materials
QBY-10	135	53	/	/	190	235	35	220	3/8" Threaded	/	/	/	/	/	12	/	8	(HT200) (ZL104)
QBY-15	135	53	/	/	190	235	35	220	1/2" Threaded	/	/	/	/	/	12	/	8	(1Cr18Ni9Ti) (PP)
QBY-25	255	150	100	100	380	530	70		1" Threaded	1"	4-φ11	4-φ11	75	75	55	4-φ10	10	(PP) inppats and exports are facing the edge
QBY-40	255	150	130	120	380	530	70		1 1/2" Threaded	1 1/2" Threaded	4-φ13.5	4-φ13.5	100	90	55	4-φ10	10	
QBY-25	220	160	100	100	370	460	50	410	1" Threaded	1"	4-φ11	4-φ11	75	75	80	4-φ12	10	(HT200)
QBY-40	220	160	130	120	370	460		410	1 1/2" Threaded	1 1/4" Threaded	4-φ13.5	4-φ13.5	100	90		4-φ12	10	
QBY-50	340	215	140	140	550	715	95		2" flange	2"	4-φ13.5	4-φ13.5	110	110	145	4-φ17.5	12	(1Cr18Ni9Ti)
QBY-65	340	215	160	140	550	715	95		2 1/2" flange	2 1/2" flange	4-φ13.5	4-φ13.5	130	130	145	4-φ17.5	12	
QBY-80	360	260	190	190	580	950	100		3" flange	3" flange	4-φ17.5	4-φ17.5	150	150	130	4-φ17.5	12	(ZL104)
QBY-100	360	260	210	190	580	950	100		4" flange	3" flange	4-φ17.5	4-φ17.5	170	170	130	4-φ17.5	12	

Opmerking: QBY-10 en 15 gietijzer/aluminium/roestvrij staal/kunststof import en export zijn schroefdraadverbindingen, niet blauw. QBY-25 en 40 roestvrij staal/kunststof import en export zijn schroefdraadverbindingen, niet blauw, gietijzer/aluminium legering en export zijn geflensd, schroefdraadverbinding voor tweeëlei gebruik. QBY-50/65/80/100 zijn voorzien van een flens, geen schroefdraad. (Raadpleeg de daadwerkelijke voorbeeldproductcatalogusfoto's)

STRUCTURE DRAWING AND PARTS LIST



No.	Name	Qty	Material
1	Inlet pipe	1	Stainless steel, cast iron, aluminium alloy, plastic, inner lining FEP
2	Outlet pipe	1	Stainless steel, cast iron, aluminium alloy, plastic, inner lining FEP
3	Pump body	2	Stainless steel, cast iron, aluminium alloy, plastic, inner lining FEP
4	Pump chamber	2	Aluminium alloy, cast iron
5	Intermediate	1	Aluminium alloy
6	Diaphragm vane	2	PTFE
7	Diaphragm vane	2	Acrylonitrile butadiene rubber, polychloroprene
8	Intermediate seal gasket	2	Acrylonitrile butadiene rubber
9	Driving shaft housing	2	Plastic
10	Connecting rod shaft housing	2	Plastic
11	Piston bush	2	Plastic
12	Piston	2	Plastic
13	Slipper block	1	Aluminium alloy
14	Slipper block	1	Chromium-plated steel
15	Sealing slip ring	1	Plastic
16	Driving slipper block	1	Plastic
17	Cover plate	1	Aluminium alloy
18	Cover plate gasket	1	Rubber
19	Muffler	1	Plastic
20	Seal seat	4	Rubber
21	Seal seat	4	PTFE
22	Clamping bar	4	Stainless steel, carbon steel
23	Connecting rod	1	Stainless steel
24	Compression spring	1	Copper
25	Driving shaft	1	Stainless steel
26	Seal ring of driving shaft	2	Rubber
27	Y-type O-ring	4	Rubber
28	O-ring	1	Rubber
29	Butterfly-type O-ring	1	Rubber
30	Inlet nozzle	1	Copper
31	Ball sealer	4	Rubber
32	Ball sealer	4	Stainless steel, ceramic, PTFE

MATTERS NEED ATTENTION

1. Als de trilling van de pomp zeer gering is, is het over het algemeen niet nodig om de funderingsbouten te installeren.
- 2.1 Als de perslucht wordt vermengd met vuile dingen, zal het normale starten van de pomp worden beïnvloed. Het wordt aanbevolen dat de gebruiker bovendien de pneumatische triplexonderdelen installeert.
3. Wanneer u media verpompt die gemakkelijk bevroren of neerslaan, installeer dan een klep bij de inlaat van de pomp. Als de pomp moet worden gestopt, sluit dan eerst de klep en laat de pomp vervolgens enkele minuten draaien om de media in de pomp te legen. pomp en reinig de opgehoopte vloeistof in de pomp op tijd, om eventuele problemen bij het de volgende keer starten van de pomp te voorkomen.
4. Wanneer u het membraan vervangt, reinig dan de drijfstang in de binnenholte en de koperen bus van de pomp. En vermijd beschadiging van de witte PTFE-afdichtring. Maak de hermontage zoals origineel en de pomp kan worden gebruikt.

FAULT AND EXCLUSION

Malfunction forms	Causes	Troubleshooting
No water comes out from the pump or the flow is insufficient.	<ol style="list-style-type: none"> 1、 The air pressure is insufficient. 2、 The flow channel of the pump cavity is blocked 3、 The valve is not opened 	<ol style="list-style-type: none"> 1、 Add the air pressure 2、 Open the pump cavity for cleaning 3、 Open the valve
The pump stops its operation	<ol style="list-style-type: none"> 1、 The air distribution valve is damaged 2、 The diaphragm is damaged 3、 The muffler is blocked 4、 Air leakage occurs in the connecting rod seal 	<ol style="list-style-type: none"> 1、 Repair or replace the air distribution valve 2、 Replace the diaphragm 3、 Clean the muffler. 4、 Replace the connecting rod seal
The lift is too low	<ol style="list-style-type: none"> 1、 The suction valve is damaged 2、 The flow is too high 3、 The air pressure is too low 	<ol style="list-style-type: none"> 1、 Shorten the pipe and reduce elbows 2、 Turn down the drain valve. 3、 Add the air pressure
The noise is too low	<ol style="list-style-type: none"> 1、 The muffler is broken 	<ol style="list-style-type: none"> 1、 Add the air pressure.

Gemaakt in China

VEVOR[®]

TOUGH TOOLS, HALF PRICE

Technisch Ondersteuning en e-garantiecertificaat

www.vevor.com/support

VEVOR[®]

TOUGH TOOLS, HALF PRICE

Teknisk Support och e-garanticertifikat

www.vevor.com/support

Luftstyrd dubbel Membranpump Instruktioner

**MODELL: QBK-40L / QBY4-50L / QBY4-25L /
QBY4-25LF46 / QBY-15PP / QBK-15P / QBK-15**

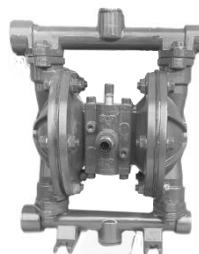
We continue to be committed to provide you tools with competitive price. "Save Half", "Half Price" or any other similar expressions used by us only represents an estimate of savings you might benefit from buying certain tools with us compared to the major top brands and does not necessarily mean to cover all categories of tools offered by us. You are kindly reminded to verify carefully when you are placing an order with us if you are actually saving half in comparison with the top major brands.

VEVOR®

TOUGH TOOLS, HALF PRICE

Air Operated Double Diaphragm Pump

MODELL: QBK-40L/QBY4-50L/QBY4-25L/QBY4-25LF46 / QBY-15PP/QBK-15P/QBK-15



NEED HELP? CONTACT US!

Have product questions? Need technical support? Please feel free to contact us:

Technical Support and E-Warranty Certificate
www.vevor.com/support

This is the original instruction, please read all manual instructions carefully before operating. VEVOR reserves a clear interpretation of our user manual. The appearance of the product shall be subject to the product you received. Please forgive us that we won't inform you again if there are any technology or software updates on our product.



Varning - För att minska risken för skada måste användaren läsa instruktionerna noggrant.

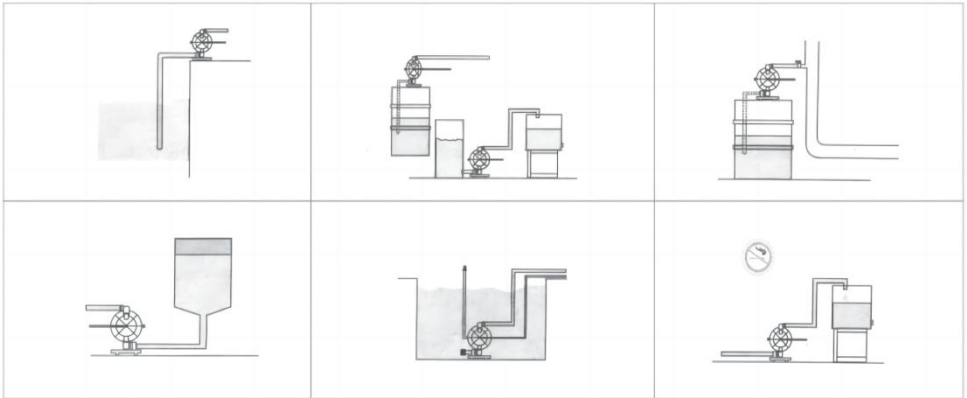
PRODUCT PRESENTATION

Denna serie av membranpumpar är den senaste modellen hemma. Det är de fungerade för att ta ut och suga in olika frätande vätskor innehållande granulat, trögflytande, flyktiga, inflammabla, explosiva eller giftig vätska, porslinslurry, mosad frukt, flue. the återvinning av restolja i tankfartyg. tillfällig återställning av tankfartyg, etc. Prestandaparametrarna för denna serie är nära skit av Germam WLLDENPUMPS och American MARIO-WPUMPS Komponenterna i kontakt med flöde är gjorda av rostfritt stål. aluminiumlegering, gjutjärn och inerina plast. medan diafraammav är NBR. viton. neopren eller PTFE .

MAIN APPLICATION

1. Pumpen kan suga jordnötter, pickles, tomat, slurry, röd korv, choklad, humle och sirap, etc.
2. Pumpen kan suga färg, pigment, lim och lim etc.;
3. Pumpen kan suga olika glättade uppslamningar av kakel, porslin, murbruk och porslin etc.
4. Pumpen kan suga olika malningsmaterial, frätande medel och ta bort oljesmutsen etc.
5. Pumpen kan suga olika toxiner och brandfarlig eller flyktig vätska etc.
6. Pumpen kan suga olika kilvatten, cementslam och murbruk etc
7. Pumpen kan suga olika stark syra, alkali och frätande vätska etc.
8. It kan användas som en frontstegstransmissionsanordning för separationsutrustningen för fast och ligjud.

WAY TO INSTALL



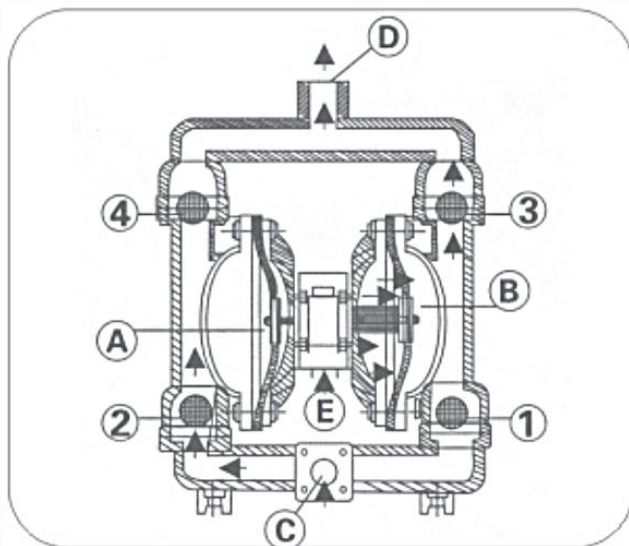
PERFORMANCE CHARACTERISTICS

Luftdrivna dubbla membranpumpar kan inte bara tömma flödesvätskan, utan också förmedla något obehagligt flöde med fördelarna med självpumpande pump, dykpump, skärmpump, slurrpump och föroreningspump etc.

1. Det är onödigt att hålla upp vatten, suglyften når 7m höjd, Leveranslyften når 50m längd och de exporttryck $>6\text{kgf/cm}^2$;
2. Brett flöde och bra prestanda. Diametern som får passera maxkornen når 10 mm. Skadan är mycket mindre till pumpen medan slurryn och föroreningen töms ut;
3. Leveranslivslängden och flödet kan passera den pneumatiska ventilen öppen för att realisera den steglösa justeringen (den pneumatiska tryckjusteringen är mellan $2\text{-}8\text{ kgf/cm}^2$):
4. Denna pump har inga roterande delar och inga lagertätningar. Membranen kommer helt att separera de uttömda mediet från anopumpens löpande delar, arbetsmediet. Det transporterade mediet kan inte läcka ut. Det kommer därför inte att orsaka miljöföroreningar och människors säkerhet skadlig när giftet utmattas och brandfarliga eller frätande medel:

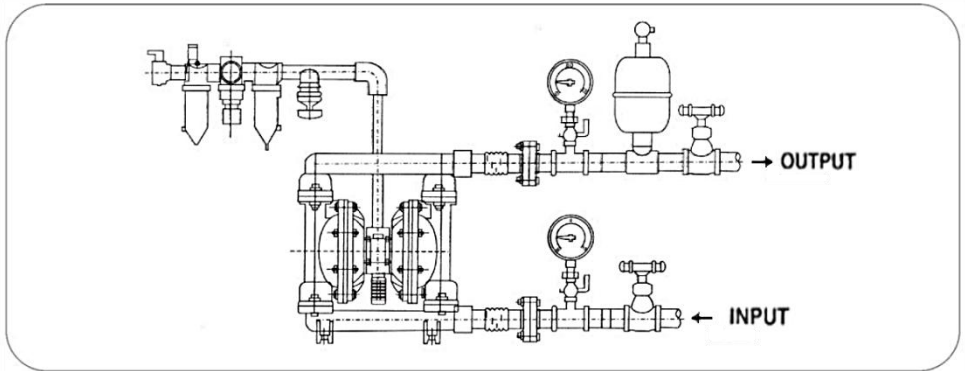
5. Ingen elektricitet är säker och pålitlig när du använder den i brandfarliga och utforska platser:
6. Den kan blötläggas i medium;
7. Det är bekvämt att använda och tillförlitligt att arbeta. Öppna eller stäng endast gasventilkroppen när du startar eller stoppar. Även om den inte har någon medelstor drift eller att den plötsligt pausas under lång tid på grund av olyckor, kommer pumpen inte att skadas av den här gången. Pumpen kommer automatiskt att stanna och har en självskyddsfunktion. När maskinen täcker normalt kan den också starta automatiskt;
8. Enkel struktur och mindre slitage delar. Denna pump är enkel i strukturen. Installation och underhåll. Mediumtransporten genom pumpen kommer inte att vidröra den matchade pneumatiska ventilen och kopplingsspaken etc. Inte som andra typer av pumpar. rotor, växel och skovel etc.
9. Det kan överföra limmet (viskositeten är under 10 000 centipoise)
10. Den här pumpen behöver inte oljesmörjmedlet. Även om den går på tomgång har den någon inverkan på pumpen. Detta är en egenskap hos denna pump

OPERATIONAL PRINCIPLE



Där installeras varje membran i båda inriktade arbetskviteterna (A) och (B), som kan kopplas ihop med en central kopplingspak. Kompressionsluften kommer in i luftfördelningsventilen från pumpens luftingång, kompressionsluften in i en hålighet genom luften fördelningsmekanism, tryck ut membranrörelsen i kaviteten. Gasen i en annan kavitet kommer att dräneras. När den når slagterminalen kommer luftdistributionsmekanismen automatiskt att dra in kompressionsluften in i en annan arbetskvitet, trycka ut diafragman för att gå mot motsatt riktning, så att de båda membranerna kontinuerligt rör sig fram och tillbaka i synkronism. Kompressionsluften kommer in i luftfördelningsventilen från (E) som visas i diagrammet, låt membrandelen röra sig mot rätt riktning. Och sugkraften i (A) kammaren låter mediet strömma in från (C) ingången ,tryck ut kulventilen(2)för att gå in i(A)kammaren,kulventilen(4) kommer att låsas på grund av sugkraften;Mediet i(B)kammaren kommer att pressas rtrycka ut kulventilen(3)för att flöda ut från utgången(D). Låt under tiden kulventilen(1) stänga, förhindra tillbakaflöde. Sådan rörelse i cirklar kommer att låta mediet oavbrutet suga från(C)ingång och rinna från(D)utgång.

CONNECTION SCHEMATIC DIAGRAM

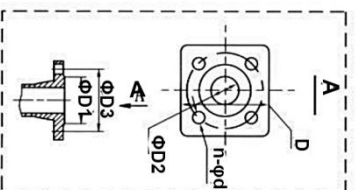
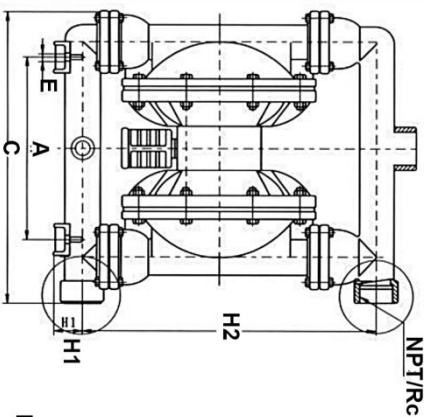


PERFORMANCE PARAMETE

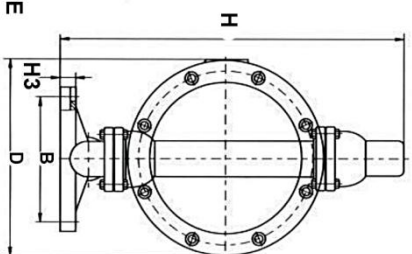
Model	Qmax (GPM)	Hmax (m)	pressUSE (kgf/cm ²)	Sucked lift (m)	Max grain Dia (mm)	Max pressure (kgf/cm ²)	MWPP (PSI)	Pump	
								Air Inlet Size	Inlet and outlet size
QBK-40L	44	69	6.9	5	4.5	7	115	FNPT 1/4"	1.5"
QBY4-50L	75	75	8.0	7	8.0	8	113	FNPT 1/4"	2.0"
QBY4-25L	22	73	8.0	7	4.0	8	100	FNPT 1/4"	1.0"
QBY4- 25LF46	24	70	8.0	7	4.0	8	100	FNPT 1/4"	1.0"
QBY-15PP	2.5	50	6.0	5	1.0	7	80	FNPT 1/4"	1/2"
QBK-15P	3	60	6.9	5	1.0	7	90	FNPT 1/4"	1/2"
QBK-15	3	60	6.9	5	1.0	7	90	FNPT 1/4"	1/2"

Note: Affected by the stability of gas supply and the environment, the parameters may have certain fluctuations or errors, which is a normal phenomenon.

QBK INSTALLATION SIZE CHART

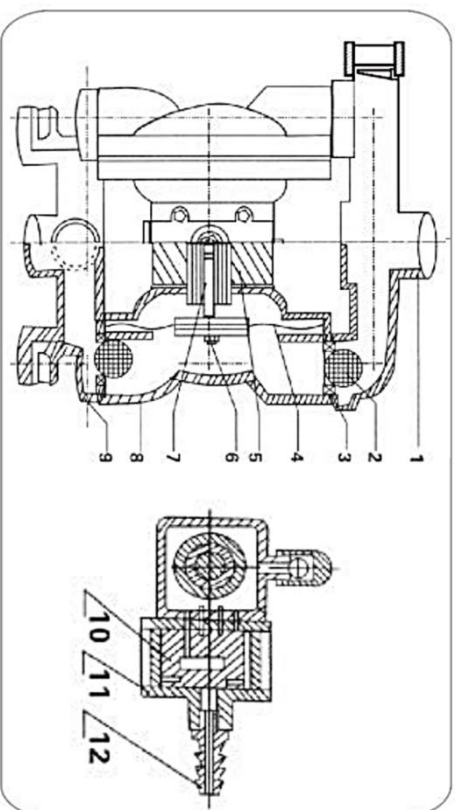


FLANG CONNECTION TYPE

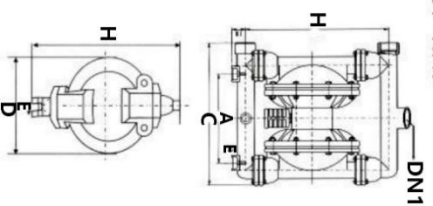


QBV - 40 Structural drawing

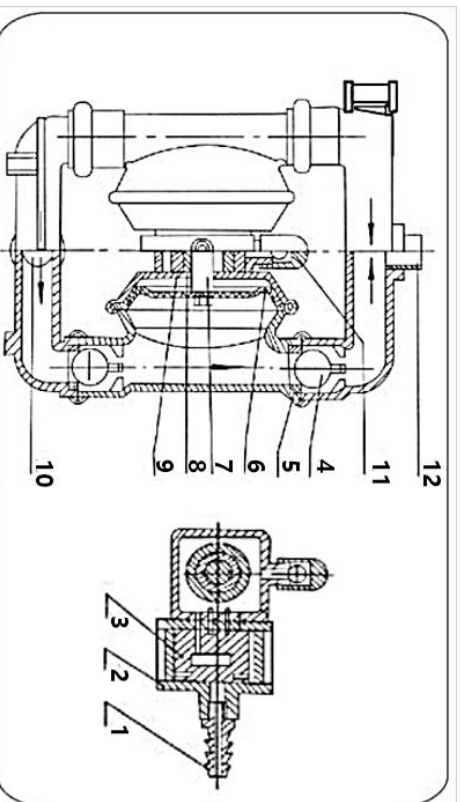
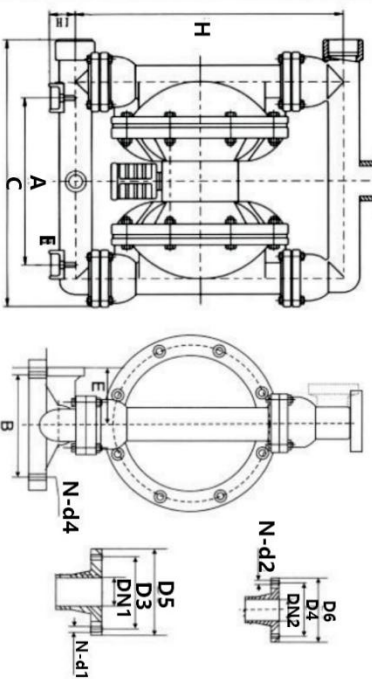
01. Outlet pipe	02. Ball sealer
03. Seal seat	04. Diaphragm vane
05. Intermediate	06. Connecting components
07. Copper roads	08. Pump body
09. Inlet pipe	10. Valve pliy
12. Admion piece	13. Air distribution valve



QBY-10/40



QBY-50/100



QBY-50-100 Structural drawing

01. Admi ion piece	02. Air distribution valve
03. Air distribution valve	04. Ball sealor
05. Seal seat	06. Diaphragm vane
07. Connecting components	08. Copper roads
09. Intermediate	10. Inlt pipe
11. Air outlet	12. Outlet pipe

Model	A	B	D5	D6	C	H	H1	H2	DH1	DN2	N-d1	N-d2	D3	D4	E	N-d4	Outside diameter of ar inlet	Materials
QBY-10	135	53	/	/	190	235	35	220	3/8" Threaded	/	/	/	/	/	12	/	8	(HT200) (ZL104)
QBY-15	135	53	/	/	190	235	35	220	1/2" Threaded	/	/	/	/	/	12	/	8	(1Cr18Ni9Ti) (PP)
QBY-25	255	150	100	100	380	530	70		1" Threaded	1"	4-φ11	4-φ11	75	75	55	4-φ10	10	(PP) inppats and exports are facing the edge
QBY-40	255	150	130	120	380	530	70		1 1/2" Threaded	1 1/2" Threaded	4-φ13.5	4-φ13.5	100	90	55	4-φ10	10	
QBY-25	220	160	100	100	370	460	50	410	1" Threaded	1" flange	4-φ11	4-φ11	75	75	80	4-φ12	10	(HT200)
QBY-40	220	160	130	120	370	460		410	1 1/2" Threaded	1 1/4" Threaded	4-φ13.5	4-φ13.5	100	90		4-φ12	10	
QBY-50	340	215	140	140	550	715	95		2" flange	2" flange	4-φ13.5	4-φ13.5	110	110	145	4-φ17.5	12	(1Cr18Ni9Ti)
QBY-65	340	215	160	140	550	715	95		2 1/2" flange	2 1/2" flange	4-φ13.5	4-φ13.5	130	130	145	4-φ17.5	12	
QBY-80	360	260	190	190	580	950	100		3" flange	3" flange	4-φ17.5	4-φ17.5	150	150	130	4-φ17.5	12	(ZL104)
QBY-100	360	260	210	190	580	950	100		4" flange	3" flange	4-φ17.5	4-φ17.5	170	170	130	4-φ17.5	12	

Obs: QBY-10 och 15 gjutjärn/aluminium/rostfritt stål/plastmaterial import och export är gängad anslutning, inte blå. QBY-25 och 40 rostfritt stål/plastmaterial import och export är gängad anslutning, inte blå, gjutjärn/aluminium legering och export är flänsad, gängad anslutning för dubbla användningsområden. QBY-50/65/80/100 är flänsad, ingen gängad. (Se aktuella produktkatalogbilder)

STRUCTURE DRAWING AND PARTS LIST



No.	Name	Qty	Material
1	Inlet pipe	1	Stainless steel, cast iron, aluminium alloy, plastic, inner lining FEP
2	Outlet pipe	1	Stainless steel, cast iron, aluminium alloy, plastic, inner lining FEP
3	Pump body	2	Stainless steel, cast iron, aluminium alloy, plastic, inner lining FEP
4	Pump chamber	2	Aluminium alloy, cast iron
5	Intermediate	1	Aluminium alloy
6	Diaphragm vane	2	PTFE
7	Diaphragm vane	2	Acrylonitrile butadiene rubber, polychloroprene
8	Intermediate seal gasket	2	Acrylonitrile butadiene rubber
9	Driving shaft housing	2	Plastic
10	Connecting rod shaft housing	2	Plastic
11	Piston bush	2	Plastic
12	Piston	2	Plastic
13	Slipper block	1	Aluminium alloy
14	Slipper block	1	Chromium-plated steel
15	Sealing slip ring	1	Plastic
16	Driving slipper block	1	Plastic
17	Cover plate	1	Aluminium alloy
18	Cover plate gasket	1	Rubber
19	Muffler	1	Plastic
20	Seal seat	4	Rubber
21	Seal seat	4	PTFE
22	Clamping bar	4	Stainless steel, carbon steel
23	Connecting rod	1	Stainless steel
24	Compression spring	1	Copper
25	Driving shaft	1	Stainless steel
26	Seal ring of driving shaft	2	Rubber
27	Y-type O-ring	4	Rubber
28	O-ring	1	Rubber
29	Butterfly-type O-ring	1	Rubber
30	Inlet nozzle	1	Copper
31	Ball sealer	4	Rubber
32	Ball sealer	4	Stainless steel, ceramic, PTFE

MATTERS NEED ATTENTION

1. Om pumpvibrationen är mycket liten, finns det i allmänhet inget behov av att installera fundamentbultarna.
- 2.1 Om tryckluften blandas med smutsiga saker, kommer normal start av pumpen att påverkas. Det föreslås att användaren dessutom ska installera de pneumatiska triplexdelarna.
3. När du pumpar media som lätt fryser eller avsätts, installera en ventil vid pumpens inlopp. Om pumpen ska stoppas, stäng först ventilen och kör sedan pumpen i flera minuter för att tömma mediet inuti pumpa och rengör den ackumulerade vätskan inuti pumpen i tid för att undvika svårigheter med att starta pumpen nästa gång.
4. När du byter membran, vänligen rengör vevstaken i det inre hålrummet och kopparbussningen på pumpen. Och undvik att skada den vita PTFE-tätningssringen. Gör återmonteringen som original, så kan pumpen användas.

FAULT AND EXCLUSION

Malfunction forms	Causes	Troubleshooting
No water comes out from the pump or the flow is insufficient.	<ol style="list-style-type: none"> 1、 The air pressure is insufficient. 2、 The flow channel of the pump cavity is blocked 3、 The valve is not opened 	<ol style="list-style-type: none"> 1、 Add the air pressure 2、 Open the pump cavity for cleaning 3、 Open the valve
The pump stops its operation	<ol style="list-style-type: none"> 1、 The air distribution valve is damaged 2、 The diaphragm is damaged 3、 The muffler is blocked 4、 Air leakage occurs in the connecting rod seal 	<ol style="list-style-type: none"> 1、 Repair or replace the air distribution valve 2、 Replace the diaphragm 3、 Clean the muffler. 4、 Replace the connecting rod seal
The lift is too low	<ol style="list-style-type: none"> 1、 The suction valve is damaged 2、 The flow is too high 3、 The air pressure is too low 	<ol style="list-style-type: none"> 1、 Shorten the pipe and reduce elbows 2、 Turn down the drain valve. 3、 Add the air pressure
The noise is too low	<ol style="list-style-type: none"> 1、 The muffler is broken 	<ol style="list-style-type: none"> 1、 Add the air pressure.

Tillverkad i Kina

VEVOR[®]

TOUGH TOOLS, HALF PRICE

Teknisk Support och e-garanticertifikat

www.vevor.com/support