

# **VEVOR<sup>®</sup>**

## **TOUGH TOOLS, HALF PRICE**

Technical Support and E-Warranty Certificate [www.vevor.com/support](http://www.vevor.com/support)

### **BABY WALKERS**

**MODEL: W11NA2**

We continue to be committed to provide you tools with competitive price. "Save Half", "Half Price" or any other similar expressions used by us only represents an estimate of savings you might benefit from buying certain tools with us compared to the major top brands and does not necessarily mean to cover all categories of tools offered by us. You are kindly reminded to verify carefully when you are placing an order with us if you are actually saving half in comparison with the top major brands.

# VEVOR<sup>®</sup>

TOUGH TOOLS, HALF PRICE

## BABY WALKERS

**MODEL: W11NA2**





### **NEED HELP? CONTACT US!**

Have product questions? Need technical support? Please feel free to contact us:

**Technical Support and E-Warranty Certificate**  
**[www.vevor.com/support](http://www.vevor.com/support)**

This is the original instruction, please read all manual instructions carefully before operating. VEVOR reserves a clear interpretation of our user manual. The appearance of the product shall be subject to the product you received. Please forgive us that we won't inform you again if there are any technology or software updates on our product.

	<p><b>Warning</b>-To reduce the risk of injury, user must read instructions manual carefully. Failure to follow instructions in the manual can result in child's safety.</p>
	<p>Never leave child unattended.</p>

## IMPORTANT SAFEGUARDS

Thank you for using this product. In order to make sure that you can operate the machine correctly, read this instruction carefully before operation and keep it properly for future reference. Please be sure to read the precautions and safety rules on this page to ensure your safe use.

This manual will outline safety warnings and precautions, operating, maintenance and cleaning. The warnings and instructions reviewed in this manual cannot cover all possible conditions and situations that may occur. Caution and common sense are not built into this product, since we believe that the uses will comply with these codes. If you have any problems, please call us. Do not try to fix the problems yourself, or it will cause injury or property damage.

### **Please read ALL the instructions before using your product.**

1. Please use the battery specified in the manual.
2. Before using,remove and dispose of any plastic bags and other packaging(e.g fasteners,fixing ties,etc.)and keep them out of reach of children, to avoid choking hazard.
3. Before using,check that the product and all of its components have not been damaged during transportation.Check regularly that the product is not broken or damaged.If the product is broken or damaged,keep out of reach of children.
- 4. WARNING ! STAIR HAZARD: Avoid serious injury or death. Block stairs/step securely before using walker even when using parking brake. To ensure that the walker in normal use not overturned.**
- 5. Only use the baby walker frame on flat and stable surfaces.**
- 6. Never leave child unattended.**
- 7. Always keep child in view while in walker.**
- 8. WARNING ! The child will be able to reach further and move rapidly when**

**in the walking frame. Prevent access to stairs, steps and uneven surfaces, slopes or unstable floors, swimming pools or other sources of water.**

9. Keep away from fire, heating, cooking utensil, stoves etc to avoid burns .

10. Remove hot liquids, electrical cables and other potential hazards from reach.

11. Prevent collisions with glass in doors, windows and furniture.

12. Do not use the product if any components are broken or missing.

**13. Warm prompt :To avoid fatigue, it is best to use the walking mode for no more than 30 minutes each time.**

14. This product is intended only for a child who can sit up by itself and until it is able to walk by itself or under 75cm height or weighs more than 12kgs. Overload will affect the stability of the walker.

15. Do not use accessories or replacement parts other than those approved by the

16. Do not immerse the product in water or any other liquid.

17. Check the product for looseness and correct installation before each use

18. If the machine is not to be used for a long period of time, clean and store it in a dry and safe place.

19. Do not leave the product hanging over the edge of table or counter or let it come into contact with any hot surfaces.

20. Please clean it regularly. Care and maintenance is recommended after use.

Gently wipe the surface with a clean wrung-out cloth and check if there are damage or looseness of the components.

21. This appliance is not intended for use by persons with reduced physical, sensory or mental capabilities, or lack of experience or knowledge, unless they have been given supervision or instruction concerning the use of the appliance by a person responsible for their safety.

22. The walker contains small parts and to avoid children swallow by mistake, should be assembled by adults with provided accessories. Recommended fastener torsional moment  $3N \cdot m$ .

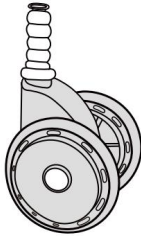
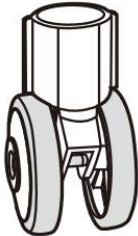
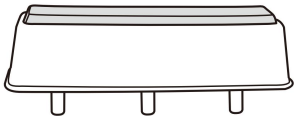
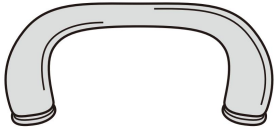
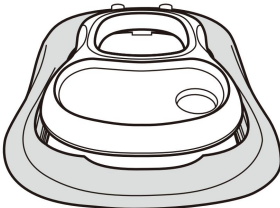
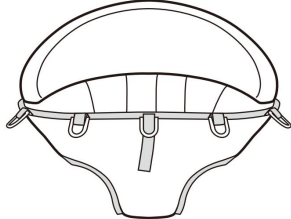
23. Before using this product , please Make sure good height and setting has been locked before. Do not change the height when your child is in the walker.

24. Warning! Make sure children's feet can touch the floor. when you carry the walker can't put the baby walkers in .

25. **Warning!** Make sure battery ( compartment / cover ) is securely fixed. Avoid children take out the battery to play.

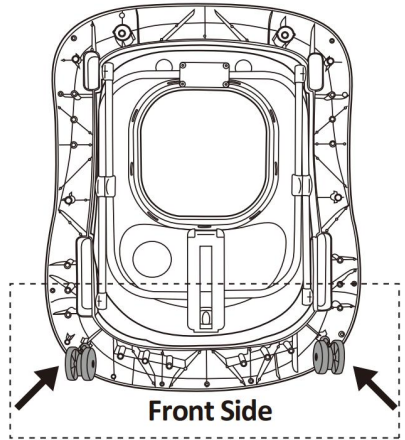
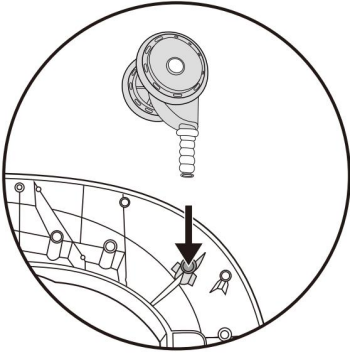
## PARTS LIST

1. Before using the appliance for the first time, peel off any promotional and packaging materials and check that the product is clean and dust-free.
2. Please dispose of all plastic bags carefully and keep them away from children and pets.
3. Check all components provided according to the list in this manual. Make sure you have all of the parts listed.
4. Although paying particular attention when manufacturing this product, you must be careful during the assembly process to avoid being scratched by sharp edges.
5. The product must only be assembled by an adult. For the correct assembly of the product, please refer to the following instructions.

		
<p>A. wheels x2pcs</p>	<p>B. 2 rear wheels x2pcs</p>	<p>C. brake pads x 6PCS</p>
		
<p>D. Handle x1pcs</p>	<p>E. Baby walker frame x1pcs</p>	<p>F. Padded seat x1pcs</p>

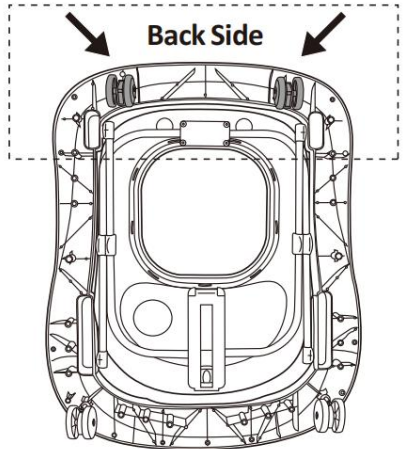
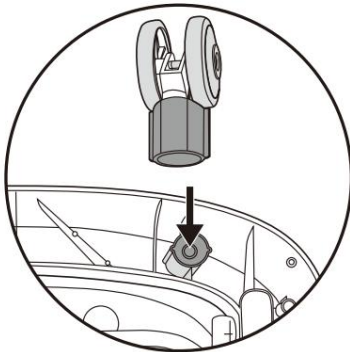
## ASSEMBLING PROCEDURES

### STEP1



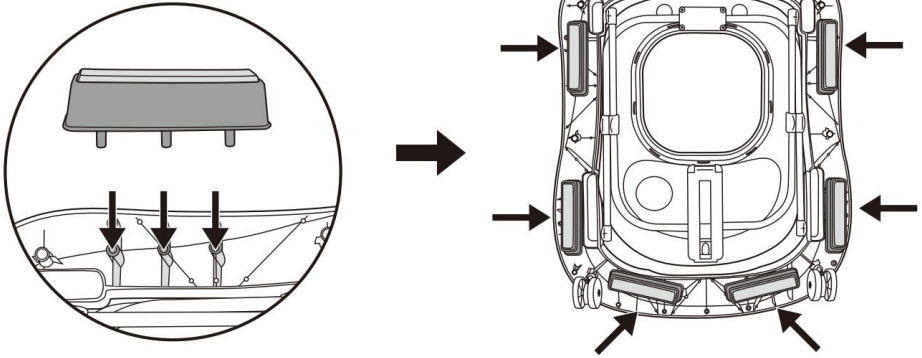
1. Turn the baby walker frame upside down. Fix the wheels in the appropriate housings. Ensure that the wheels are firmly pushed all the way into the housing on the down base of the walker.

### STEP2



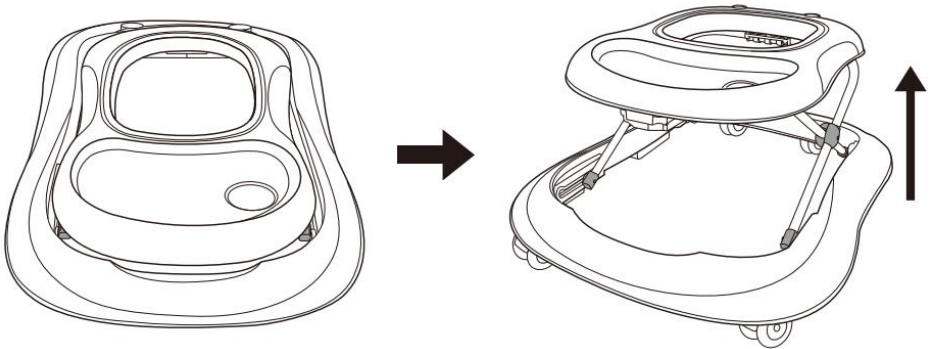
2. Fix the rear fix wheels in the appropriate housings. Ensure that the wheels are firmly pushed all the way into the housing on the down base of the walker.

### STEP3



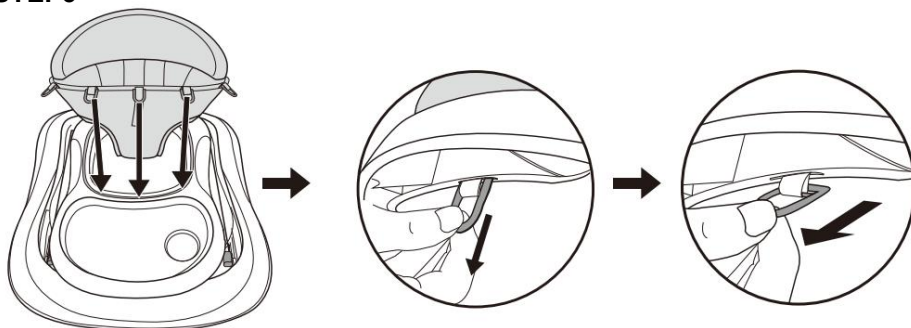
3. Fix the safe rubbers in the appropriate housings. Ensure that the safe rubbers are firmly pushed all the way into the housing on the down base of the walker.

### STEP4



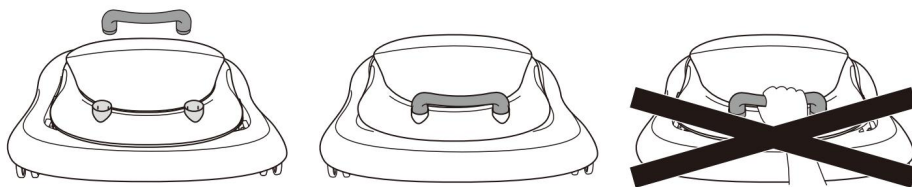
4. Open the baby walker frame in the in-use position, ensuring that all wheels touch the floor. Slowly raise the tray by polling it in an upward direction, until a click indicates that the frame has been locked correctly in one of the three positions.

### STEP5



5. Insert the plastic rings of the padded seat in the slots located along the upper edge of the walker frame. Pass the rings through the slots and tug them until they clear the passage, then release them, ensuring that they are correctly locked in the position and cannot recede into the slot.

### STEP6



6. Fit the large spoiler on the rear walker frame; simply place it on the housings, located at the rear of the backrest, and push it firmly in a downward direction, ensuring that it has been fitted in the correct position. Please do not lift up baby walker with large spoiler. It is dangerous do in this way.

### STEP7

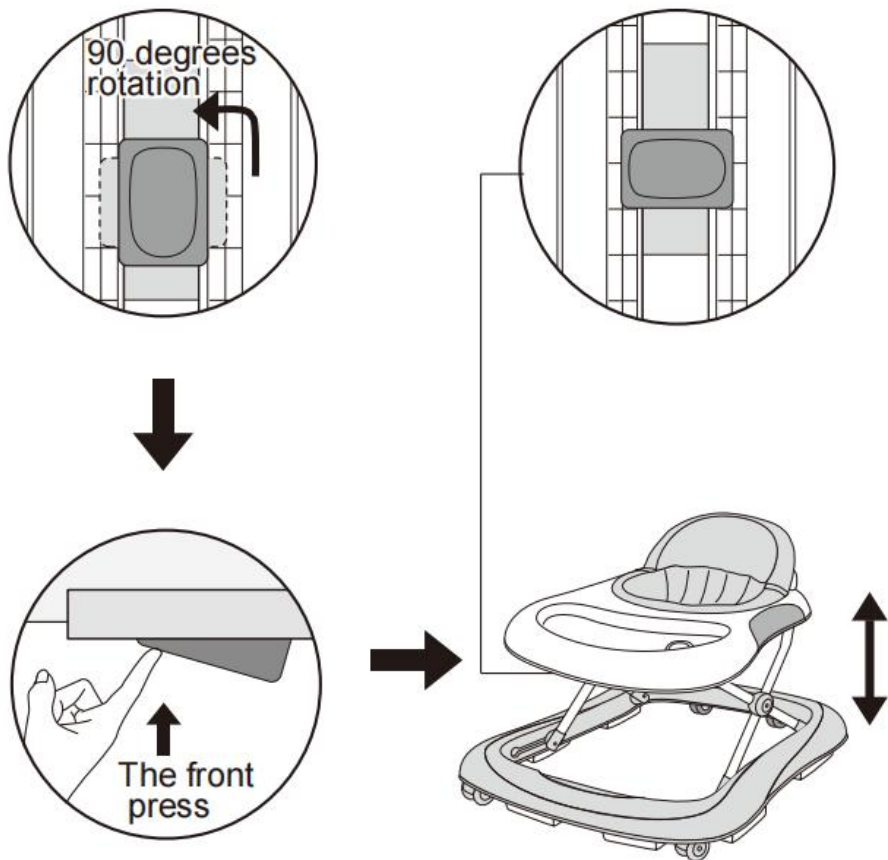


7. Completely assembled.



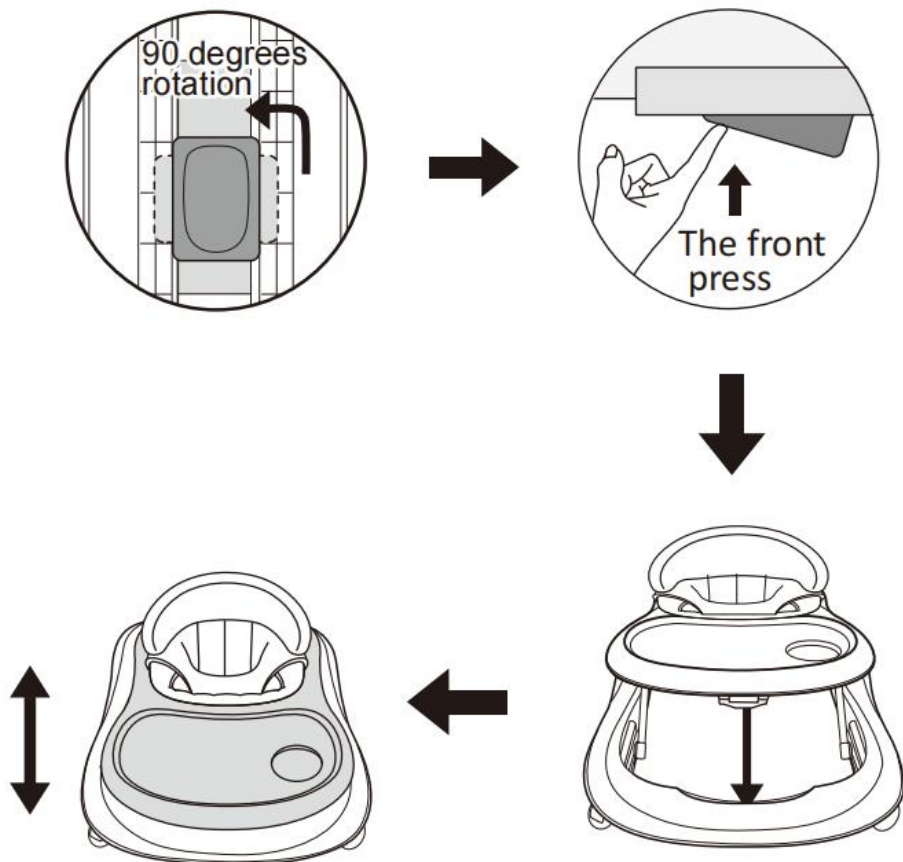
## HOW TO ADJUST THE HEIGHT OF BABY WALKER FRAME

**WARNING !** When opening, closing or adjusting the walker, ensure that your child is at a safe distance. Before placing the child in the walker ensure that the secondary lock button is correctly locked again.



To adjust the seat's height, remove the child from the baby walking frame, pull up the safe button located under the small tray table and rotate it to 90 degrees. keep the safe button pressed, then raise or lower the small table until the desired position is reached, then pull up the safe button and rotate it to 90 degrees again to lock the small table. (If it is a automatic secondary lock, please make sure the lock rotated to 90 degrees.)

## HOW TO FOLD THE WALKER



Firstly, pull the button under top tray, make sure the button finally parallel to the adjusted-device(see 1st picture). Meanwhile, press up the front position (see 2nd picture), and press down the top base till the end. The frame folds up completely.

## CLEANING AND STORAGE

1. If the machine is not to be used for a long period of time, clean and store it in a dry and safe place.
2. Gently wipe the surface with a clean wrung-out cloth and check if there are damage or looseness of the components. Be sure to keep the product dry.
4. Clean the seat with brush or family soap and neutral scour.
3. Please put the parts and accessories together.
5. Prolonged exposure to direct sunlight may cause the fabric and plastics to fade.
6. Keep the product and parts together to avoid loss, and read the instructions and cleaning products before reuse.

**Manufacturer:** Shanghaimuxinmuyeyouxiangongsi

**Address:** Shuangchenglu 803nong11hao1602A-1609shi, baoshanqu, shanghai 200000 CN.

**Imported to AUS:** SIHAO PTY LTD. 1 ROKEVA STREETEASTWOOD  
NSW 2122 Australia

**Imported to USA:** Sanven Technology Ltd. Suite 250, 9166 Anaheim  
Place, Rancho Cucamonga, CA 91730

EC	REP
----	-----

E-CrossStu GmbH  
Mainzer Landstr.69, 60329 Frankfurt am Main.

UK	REP
----	-----

YH CONSULTING LIMITED.  
C/O YH Consulting Limited Office 147, Centurion House,  
London Road, Staines-upon-Thames, Surrey, TW18 4AX

**VEVOR<sup>®</sup>**

**TOUGH TOOLS, HALF PRICE**

**Technical Support and E-Warranty Certificate**

**[www.vevor.com/support](http://www.vevor.com/support)**