

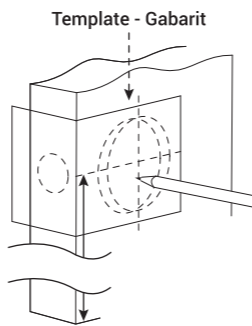
**NEED HELP? CONTACT US!**

Have product questions? Need technical support?  
Please feel free to contact us:  
✉ CustomerService@vevor.com

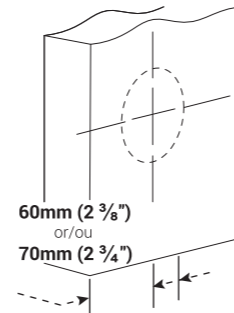
This is the original instruction, please read all manual instructions carefully before operating. VEVOR reserves clear interpretation of our user manual. The appearance of the product shall be subject to the product you received. Please forgive us that we won't inform you again if there is any technology or software updates on our product.

**1**

**Recommendation:**  
965mm (38") from the floor  
**Recommandation:**  
965mm (38") du sol

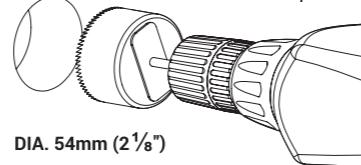


Trace the holes on the door.  
Tracer les trous sur la porte.



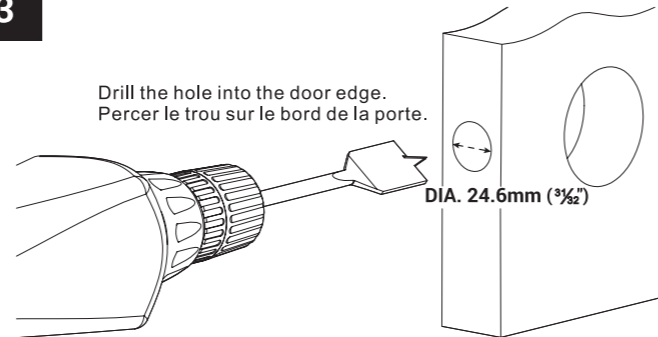
**2**

Drill the hole into the door.  
Percer le trou dans la porte.



**3**

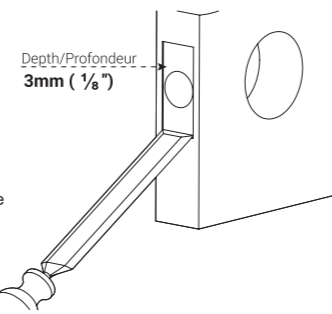
Drill the hole into the door edge.  
Percer le trou sur le bord de la porte.



**4**

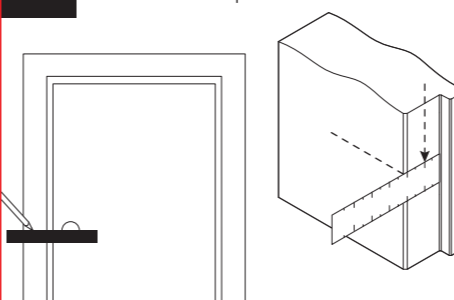
Cut the hole for the faceplate  
on the door edge.

Découper le trou pour la têtère  
sur le bord de la porte.



**5**

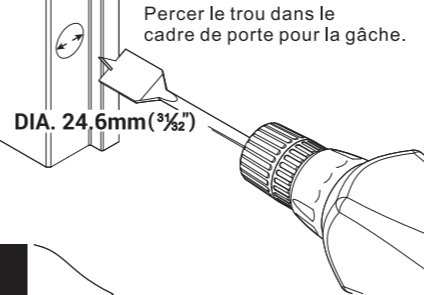
Trace the hole for strike plate  
on door jamb.  
Tracer le trou pour la gâche  
sur le cadre de porte.



**6**

Drill the hole into the door  
jamb for the strike plate.

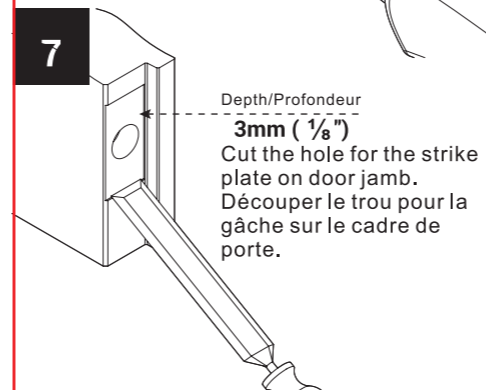
Percer le trou dans le  
cadre de porte pour la gâche.



**7**

Depth/Profondeur  
**3mm (1/8")**

Cut the hole for the strike  
plate on door jamb.  
Découper le trou pour la  
gâche sur le cadre de  
porte.

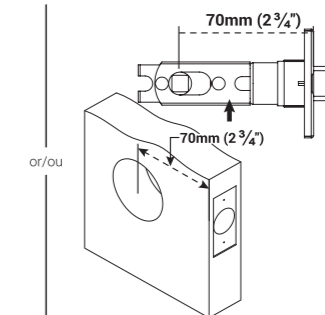


**1**

Optional  
Optionnel



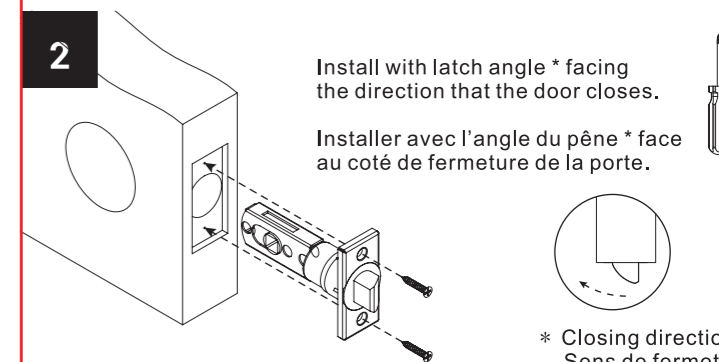
Adjust latch length.  
Ajuster la longueur du pêne.



**2**

Install with latch angle \* facing  
the direction that the door closes.

Installer avec l'angle du pêne \* face  
au côté de fermeture de la porte.

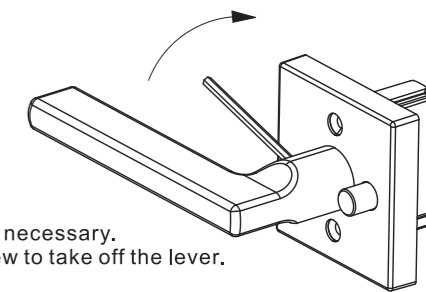


\* Closing direction  
Sens de fermeture

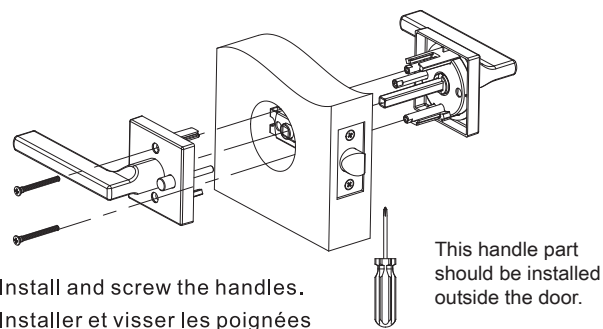
**3**

Reverse the levers if necessary.  
Unscrew the set screw to take off the lever.

Inverser les leviers si nécessaire.  
Dévisser la vis de pression pour enlever le levier.



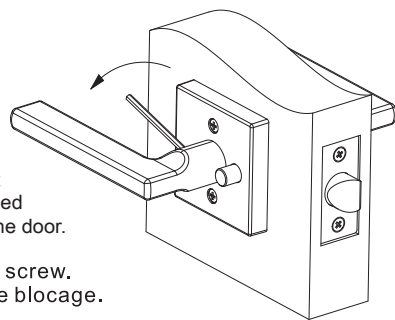
4



Install and screw the handles.  
Installer et visser les poignées

This handle part should be installed outside the door.

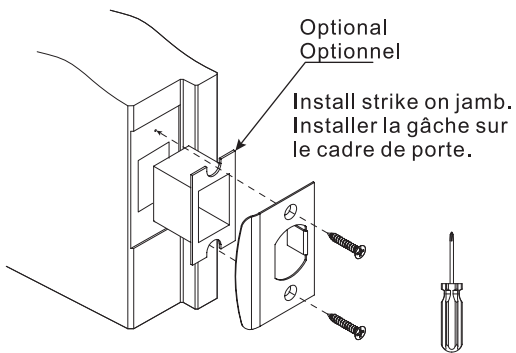
5



This handle part should be installed interior side of the door.

Tighten the set screw.  
Serrer la vis de blocage.

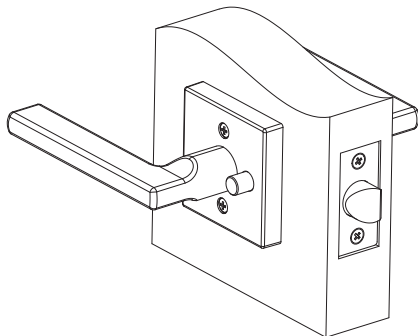
6



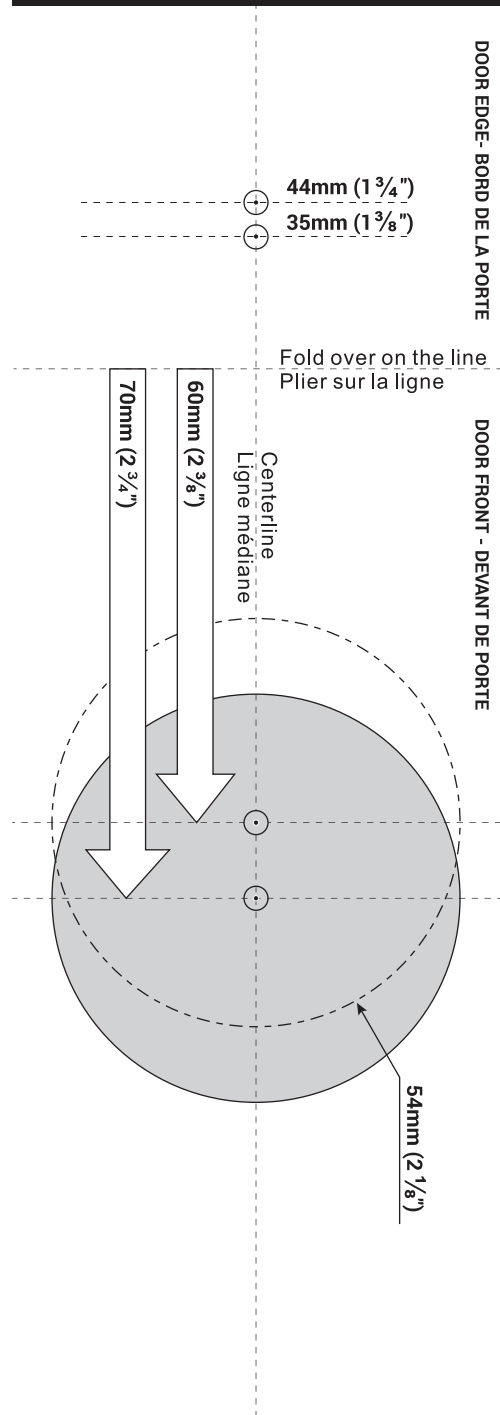
Optional  
Optionnel

Install strike on jamb.  
Installer la gâche sur le cadre de porte.

7



## TEMPLATE - GABARIT



# VEVOR®

TOUGH TOOLS, HALF PRICE

Technical Support and E-Warranty Certificate  
[www.vevor.com/support](http://www.vevor.com/support)

## Door Handle lock

We continue to be committed to provide you tools with competitive price. "Save Half", "Half Price" or any other similar expressions used by us only represents an estimate of savings you might benefit from buying certain tools with us compared to the major top brands and does not necessarily mean to cover all categories of tools offered by us. You are kindly reminded to verify carefully when you are placing an order with us if you are actually saving half in comparison with the top major brands.

# VEVOR®

TOUGH TOOLS, HALF PRICE

Technical Support and E-Warranty Certificate  
[www.vevor.com/support](http://www.vevor.com/support)