

VEVOR[®]

TOUGH TOOLS, HALF PRICE

Technical Support and E-Warranty Certificate

www.vevor.com/support

BOOK CARTS

MODEL: HXTC-L

We continue to be committed to provide you tools with competitive price.

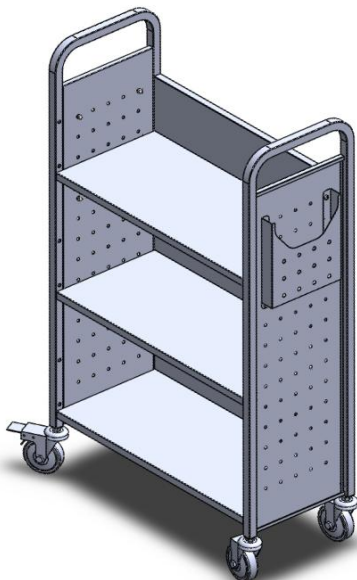
"Save Half", "Half Price" or any other similar expressions used by us only represents an estimate of savings you might benefit from buying certain tools with us compared to the major top brands and does not necessarily mean to cover all categories of tools offered by us. You are kindly reminded to verify carefully when you are placing an order with us if you are actually saving half in comparison with the top major brands.

VEVOR[®]

TOUGH TOOLS, HALF PRICE

BOOK CARTS

MODEL: HXTC-L



NEED HELP? CONTACT US!

Have product questions? Need technical support? Please feel free to contact us:

Technical Support and E-Warranty Certificate
www.vevor.com/support

This is the original instruction, please read all manual instructions carefully before operating. VEVOR reserves a clear interpretation of our user manual. The appearance of the product shall be subject to the product you received. Please forgive us that we won't inform you again if there are any technology or software updates on our product.

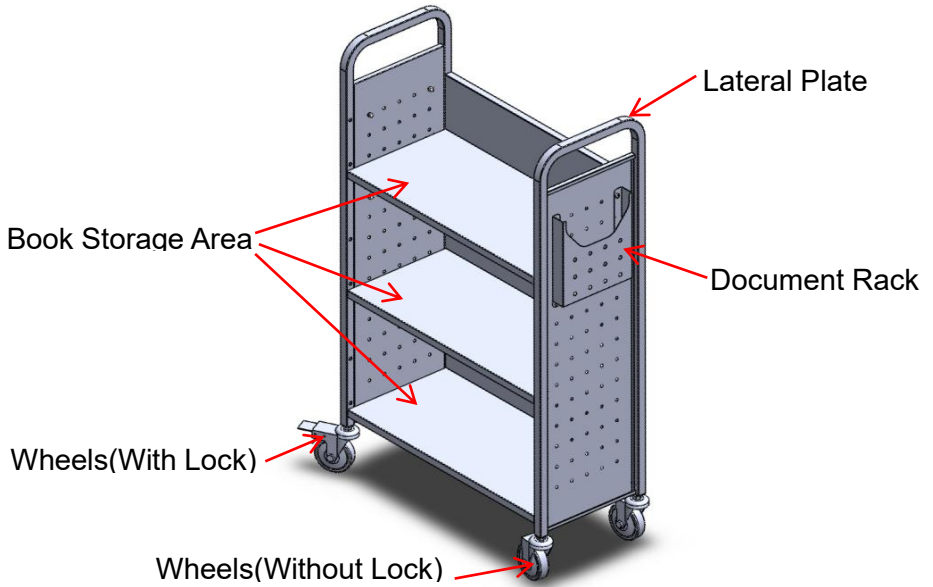
SAFETY INSTRUCTIONS

1. It is forbidden to carry people under any condition.
2. Keep the product on level surfaces. It is forbidden to load articles on uneven and hilly terrains. The product may become unstable and tip if stored or moved on an unlevel surface, which may cause personal injury or product damage.
3. Overload is strictly prohibited.
4. Don't move too fast when passing pothole areas.
5. Use the brakes when this product is not being moved. This prevents the product from rolling.
6. Do not alter this product in any manner.
7. Do not lift the product directly with a forklift or tow with any mechanical devices.

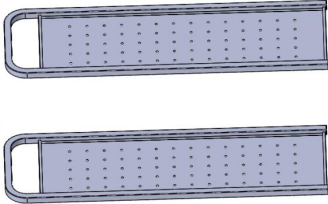
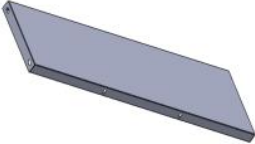

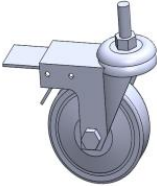
MODEL AND PARAMETERS

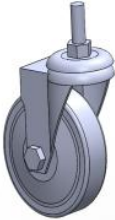






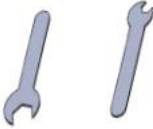

Model	HXTC-L
Shelve Type	L-shaped(Single-sided)
Number of Shelves	3
Max. Capacity	110lbs/per shelf
Material	Steel
Color	Black / White

STRUCTURE DIAGRAM



PARTS LIST

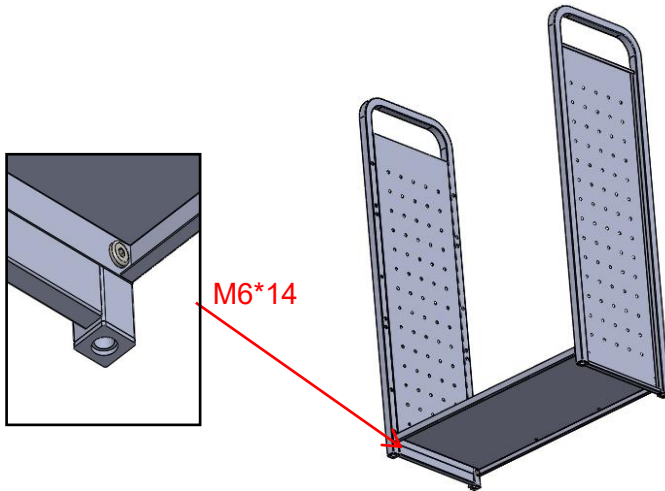
	
<p style="text-align: center;">Lateral Plates x2 (Two pieces are symmetrical.)</p>	<p style="text-align: center;">Bookshelf Backboards x3</p>
	
<p style="text-align: center;">Book Storage Panels x3</p>	<p style="text-align: center;">Wheels(With Lock) x2</p>

	
<p>Wheels(Without Lock) x2</p>	<p>Document Rack x1</p>
	
<p>Bookends x2</p>	<p>Hex key x1</p>
	
<p>Bolts(M6*8) x11 (Only ten are needed ,one more)</p>	<p>Hat nuts(M6) x11 (Only ten are needed ,one more)</p>
	
<p>Bolts(M6*14) x26 (Only twenty-four are needed ,two more)</p>	<p>Wrenchs(10+19mm) x2</p>
	
<p>User Manual x1</p>	

INSTALLATION

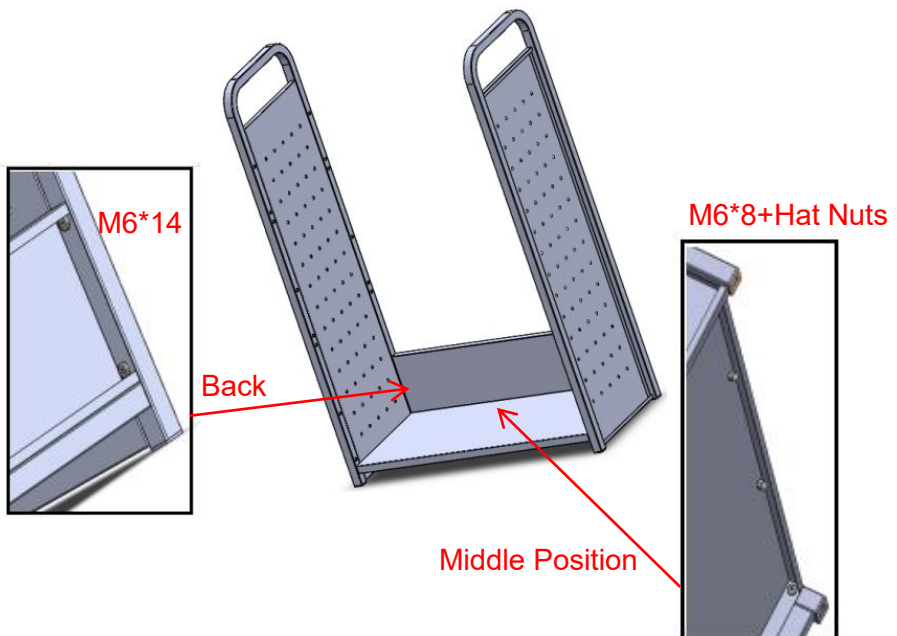
NOTE: This installation is best done by two people.

Step 1: Install the Book Storage Panel.



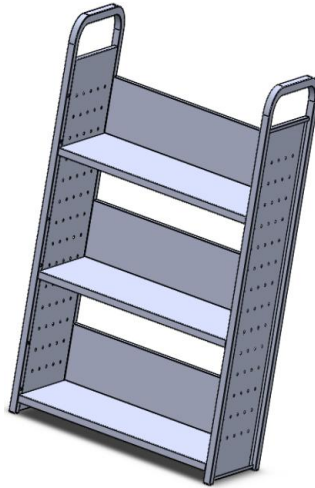
NOTE: Please do not tighten the bolts yet.

Step 2: Install the Bookshelf Backboard.

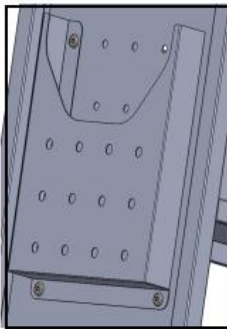


NOTE: All bolts should be tightened after the cart is fully installed.

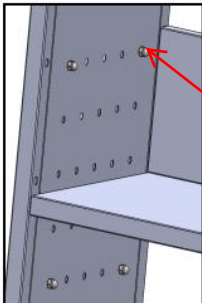
Step 3: After all parts are installed, adjust the angle of the frame and tighten all bolts.



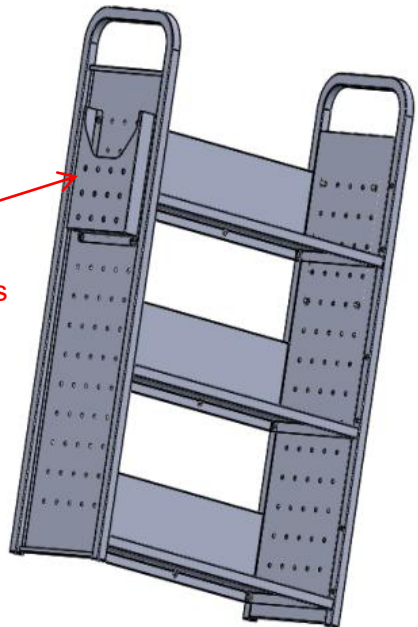
Step 4: Install the Document Rack.



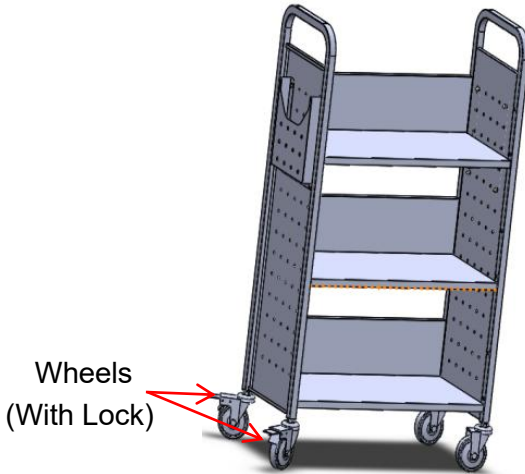
M6*8+Hat Nuts



Hat Nuts

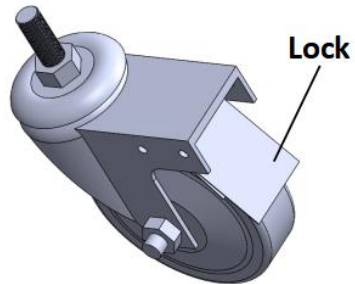
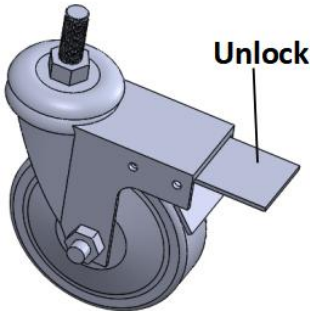


Step 5: Install the four wheels.



USING THE CASTER BRAKE

- To lock the swivel casters with brake, step down the levers.
- To unlock the swivel casters with brake, pull up the levers.



MAINTENANCE

1. Clean the surface after each use .
Please check and confirm that the cart is intact before each use.
2. Check that the bolts are tight.
3. Wheel bearings are regularly lubricated with grease.

Address: Baoshanqu Shuangchenglu 803long 11hao 1602A-1609shi
Shanghai

Imported to AUS: SIHAO PTY LTD, 1 ROKEVA STREETEASTWOOD
NSW 2122 Australia

Imported to USA: Sanven Technology Ltd, Suite 250, 9166 Anaheim
Place, Rancho Cucamonga, CA 91730



SHUNSHUN GmbH
Römeräcker 9 Z2021, 76351
Linkenheim-Hochstetten, Germany



Pooledas Group Ltd
Unit 5 Albert Edward House, The
Pavilions Preston, United Kingdom

Made In China

VEVOR[®]

TOUGH TOOLS, HALF PRICE

Technical Support and E-Warranty Certificate

www.vevor.com/support

VEVOR[®]

TOUGH TOOLS, HALF PRICE

Assistance technique et certificat de garantie électronique

www.vevor.com/support

CHARIOTS À LIVRES

MODÈLE : HXTC-L

We continue to be committed to provide you tools with competitive price.

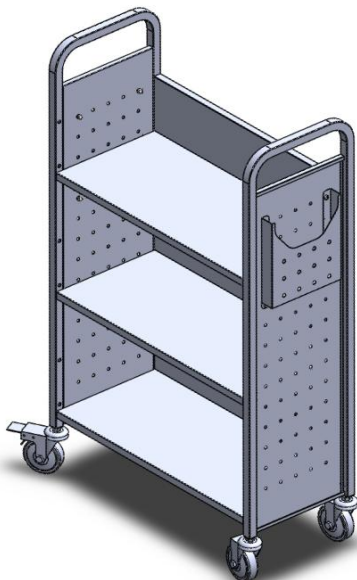
"Save Half", "Half Price" or any other similar expressions used by us only represents an estimate of savings you might benefit from buying certain tools with us compared to the major top brands and does not necessarily mean to cover all categories of tools offered by us. You are kindly reminded to verify carefully when you are placing an order with us if you are actually saving half in comparison with the top major brands.

VEVOR[®]

TOUGH TOOLS, HALF PRICE

BOOK CARTS

MODÈLE: HXTC- L



NEED HELP? CONTACT US!

Have product questions? Need technical support? Please feel free to contact us:

Technical Support and E-Warranty Certificate
www.vevor.com/support

This is the original instruction, please read all manual instructions carefully before operating. VEVOR reserves a clear interpretation of our user manual. The appearance of the product shall be subject to the product you received. Please forgive us that we won't inform you again if there are any technology or software updates on our product.

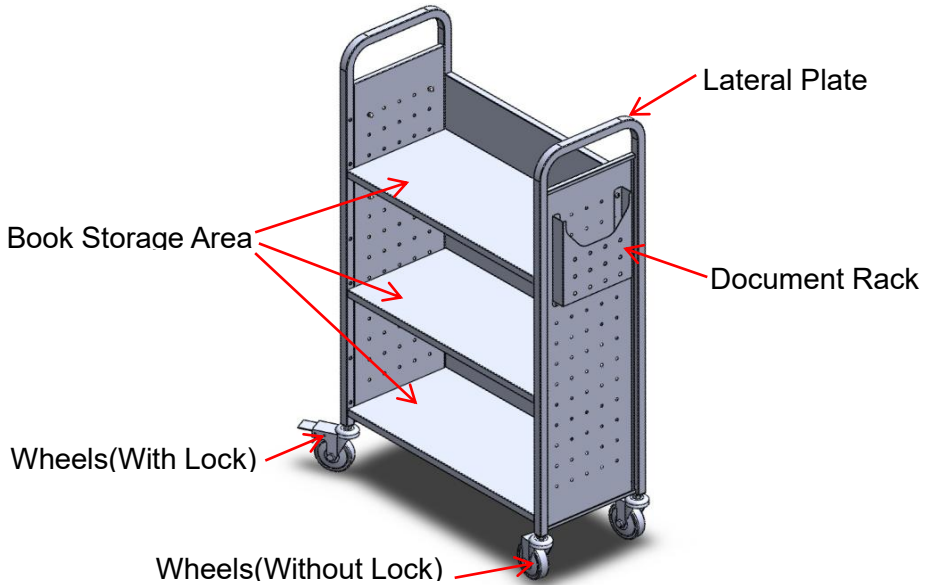
SAFETY INSTRUCTIONS

3. Il est interdit de transporter des personnes sous quelque condition que ce soit.
4. Gardez le produit sur des surfaces planes. Il est interdit de charger des articles sur des terrains irréguliers et vallonnés. Le produit peut devenir instable et basculer si stocké ou déplacé sur une surface inégale, ce qui peut causer des blessures ou des dommages au produit.
- 3 . La surcharge est strictement interdite.
- 4 . Ne vous déplacez pas trop vite lorsque vous passez des zones de nids-de-poule.
5. Utilisez les freins lorsque ce produit n'est pas déplacé. Cela empêche le produit de rouler.
8. Ne modifiez en aucun cas ce produit.
9. Ne soulevez pas le produit directement avec un chariot élévateur ou ne le remorquez pas avec un dispositif mécanique.

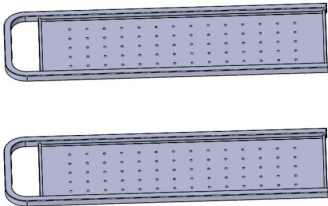
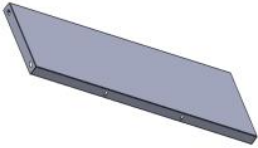

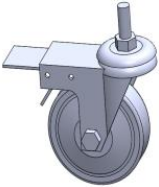
MODEL AND PARAMETERS

Modèle	HXTC-L
Type d'étagère	L (simple face)
Nombre d'étagères	3
Max. Capacité	110 lb/par étagère
Matériel	Acier
Couleur	Noir blanc

STRUCTURE DIAGRAM



PARTS LIST

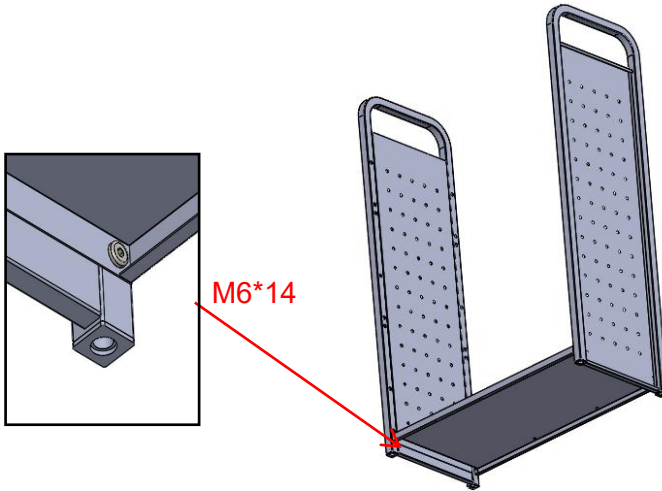
	
<p>Plaques latérales __ x2 __ (Deux pièces sont symétriques.)</p>	<p>Panneaux de bibliothèque _ x3 _</p>
	

<p>Panneaux de rangement de livres s x 3</p> 	<p>Roues (avec verrouillage) x2 _</p> 
<p>Roues (sans verrou) x 2</p> 	<p>Porte - documents x1 _</p> 
<p>Livres x 2 __</p>	<p>Clé hexagonale __ x1 _</p>
	
<p>Boulons (M6*8) x 11 (Il n' en faut que dix, un de plus)</p>	<p>Écrou à chapeau s(M6) x 11 (Il n' en faut que dix, un de plus)</p>
	
<p>Boulons (M6*14) x 26 (Il n' en faut que vingt-quatre, deux de plus)</p>	<p>Clés (10+19mm) x 2</p>
	
<p>Manuel d'utilisation x1</p>	

INSTALLATION

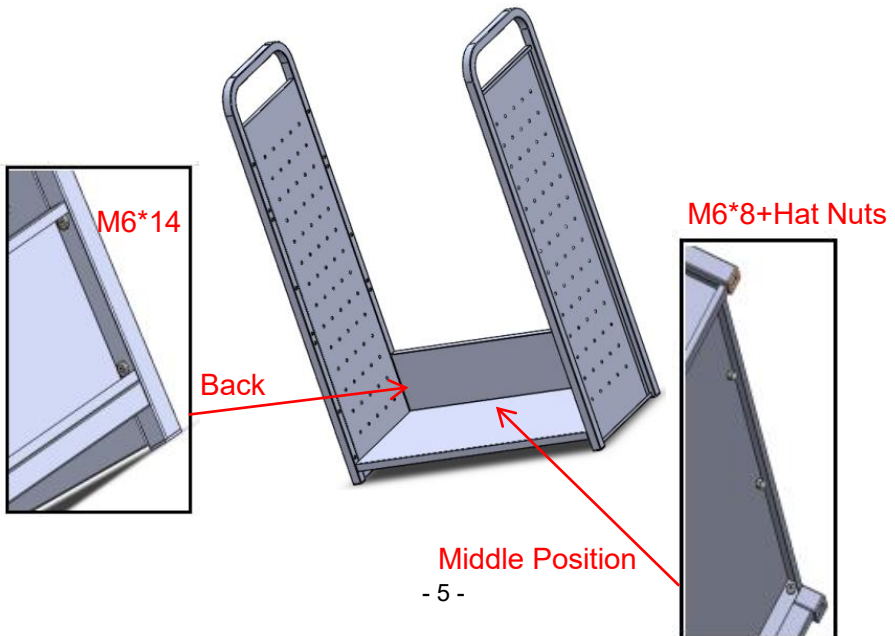
REMARQUE : Il est préférable que cette installation soit effectuée par deux personnes.

Étape 1 : Installez le panneau de stockage de livres .



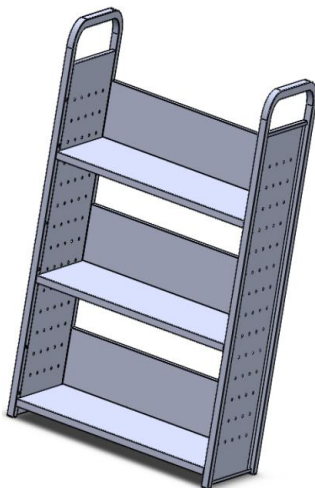
REMARQUE : Veuillez ne pas encore serrer les boulons.

Étape 2 : Installez le panneau arrière de la bibliothèque.

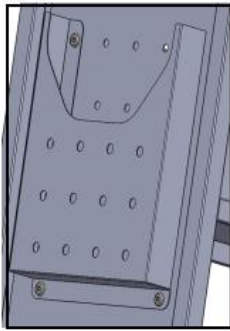


REMARQUE : Tous les boulons doivent être serrés une fois le chariot complètement installé.

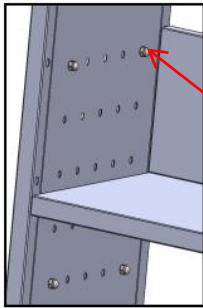
Étape 3: Une fois toutes les pièces installées, ajustez l' angle du cadre et serrez tous les boulons .



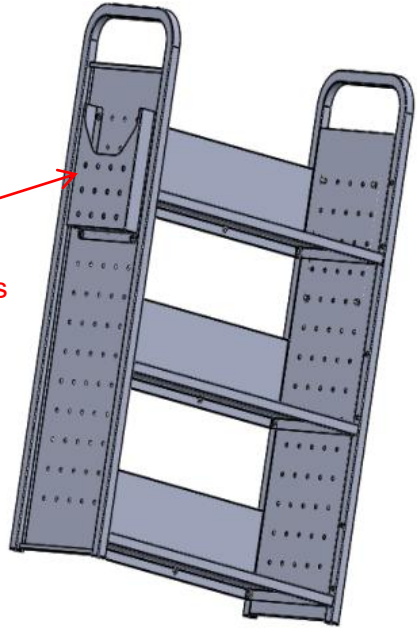
Étape 4 : Installez le porte-documents.



M6*8+Hat Nuts



Hat Nuts



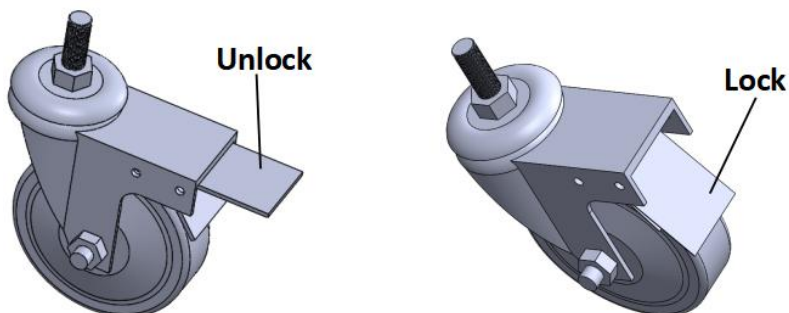
Étape 5 : Installez les quatre roues .



USING THE CASTER BRAKE

- Pour bloquer les roulettes pivotantes avec frein, abaissez les leviers.
- Pour déverrouiller les roulettes pivotantes avec frein, tirez les leviers

vers le haut.



MAINTENANCE

4. Nettoyez la surface après chaque utilisation.
Veuillez vérifier et confirmer que le panier est intact avant chaque utilisation.
5. Vérifiez que les boulons sont serrés .
6. Les roulements de roue sont régulièrement lubrifiés avec de la graisse .

Adresse : Baoshanqu Shuangchenglu 803long 11hao 1602A-1609shi
Shanghai

Importé en Australie : SIHAO PTY LTD, 1 ROKEVA STREETASTWOOD
NSW 2122 Australie

Importé aux États-Unis : Sanven Technology Ltd, Suite 250, 9166
Anaheim Place, Rancho Cucamonga, CA 91730

EC	REP	SHUNSHUN GmbH Römeräcker 9 Z2021, 76351 Linkenheim-Hochstetten, Germany
-----------	------------	---

UK	REP	Pooledas Group Ltd Unit 5 Albert Edward House, The Pavilions Preston, United Kingdom
-----------	------------	--

Fabriqué en Chine

VEVOR[®]

TOUGH TOOLS, HALF PRICE

Technique Assistance et certificat de garantie électronique

www.vevor.com/support

VEVOR[®]

TOUGH TOOLS, HALF PRICE

Zertifikat für technischen Support und E-Garantie

www.vevor.com/support

BÜCHERWAGEN

MODELL: HXTC-L

We continue to be committed to provide you tools with competitive price.

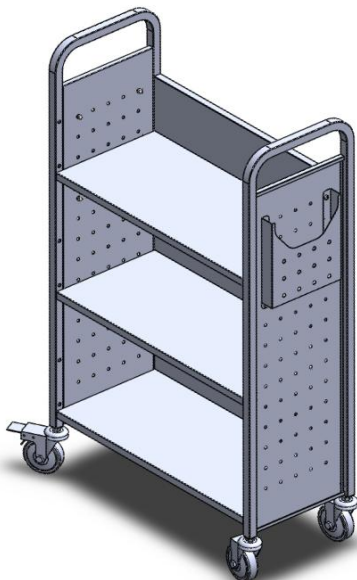
"Save Half", "Half Price" or any other similar expressions used by us only represents an estimate of savings you might benefit from buying certain tools with us compared to the major top brands and does not necessarily mean to cover all categories of tools offered by us. You are kindly reminded to verify carefully when you are placing an order with us if you are actually saving half in comparison with the top major brands.

VEVOR®

TOUGH TOOLS, HALF PRICE

BOOK CARTS

MODELL: HXTC- L



NEED HELP? CONTACT US!

Have product questions? Need technical support? Please feel free to contact us:

Technical Support and E-Warranty Certificate
www.vevor.com/support

This is the original instruction, please read all manual instructions carefully before operating. VEVOR reserves a clear interpretation of our user manual. The appearance of the product shall be subject to the product you received. Please forgive us that we won't inform you again if there are any technology or software updates on our product.

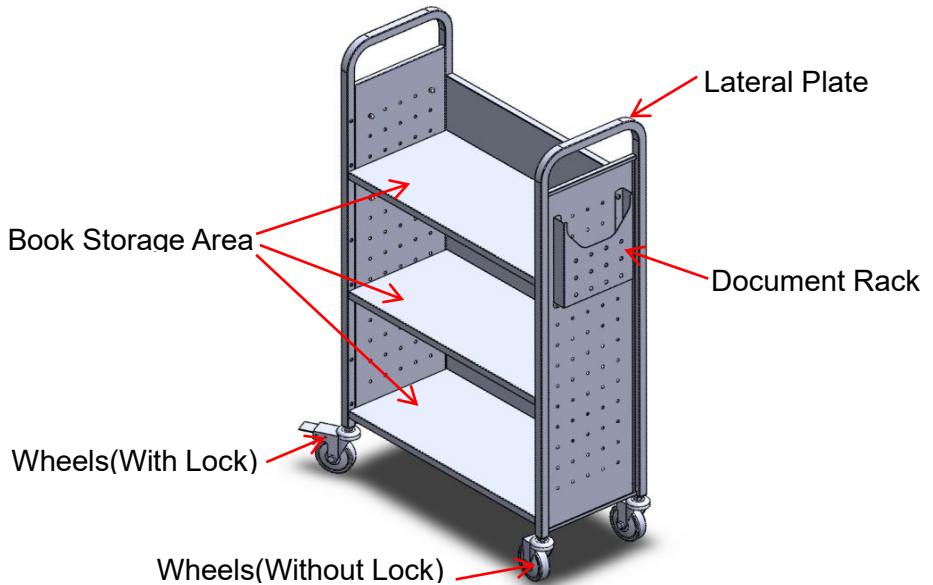
SAFETY INSTRUCTIONS

5. unter allen Umständen verboten, Personen zu befördern .
6. Bewahren Sie das Produkt auf ebenen Flächen auf. Das Verladen von Gegenständen auf unebenem und hügeligem Gelände ist verboten. Das Produkt kann instabil werden und umkippen auf einer unebenen Oberfläche gelagert oder bewegt werden, da dies zu Verletzungen führen kann oder Produktschäden.
- 3 . Überlastung ist strengstens untersagt.
- 4 . Fahren Sie nicht zu schnell, wenn Sie an Schlaglochstellen vorbeifahren .
5. Benutzen Sie die Bremsen, wenn dieses Produkt nicht bewegt wird. Dies verhindert das Produkt vom Rollen.
10. Verändern Sie dieses Produkt in keiner Weise.
11. Heben Sie das Produkt nicht direkt mit einem Gabelstapler an und schleppen Sie es nicht mit mechanischen Geräten.

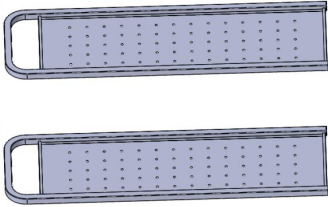
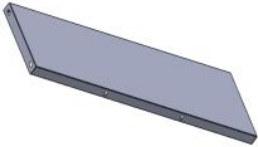
MODEL AND PARAMETERS









Modell	HXTC-L
Regaltyp	L -förmig (einseitig)
Anzahl der Regale	3
Max. Kapazität	110 lbs/pro Regal
Material	Stahl
Farbe	Schwarz-Weiss

STRUCTURE DIAGRAM



PARTS LIST

	
<p>Seitliche Platte spät s x 2 (Zwei Teile sind symmetrisch.)</p>	<p>Bücherregal - Rückwand s x 3</p>

	
<p>Buchaufbewahrungsplatten x 3 _ _ _ _ _</p>	<p>Räder (mit Schloss) x 2</p>
	
<p>Räder (ohne Schloss) x 2</p>	<p>Dokumentenregal _ _ x 1</p>
	
<p>Buchenscheiben x 2 _</p>	<p>Sechskantschlüssel _ _ _ x 1</p>
	
<p>Schrauben (M6*8) x 11 (Es werden nur zehn benötigt, noch einer)</p>	<p>Hutmutter s(M6) x 11 (Es werden nur zehn benötigt, noch einer)</p>
	
<p>Schrauben (M6*14) x 26 (Es werden nur vierundzwanzig benötigt, zwei weitere)</p>	<p>Schraubenschlüssel (10+19 mm) x 2</p>

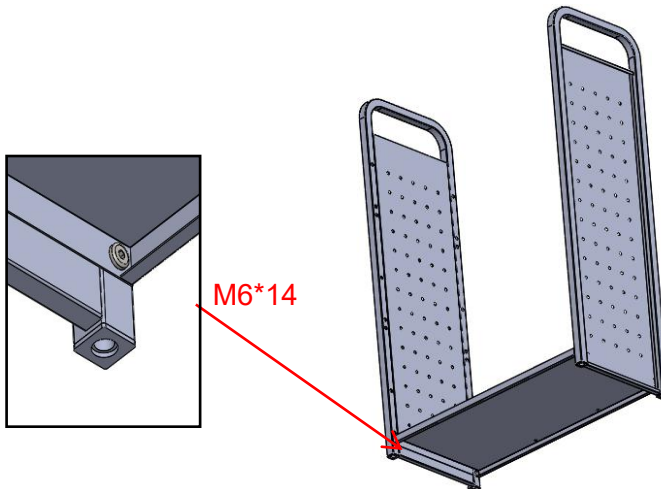


Benutzerhandbuch x1

INSTALLATION

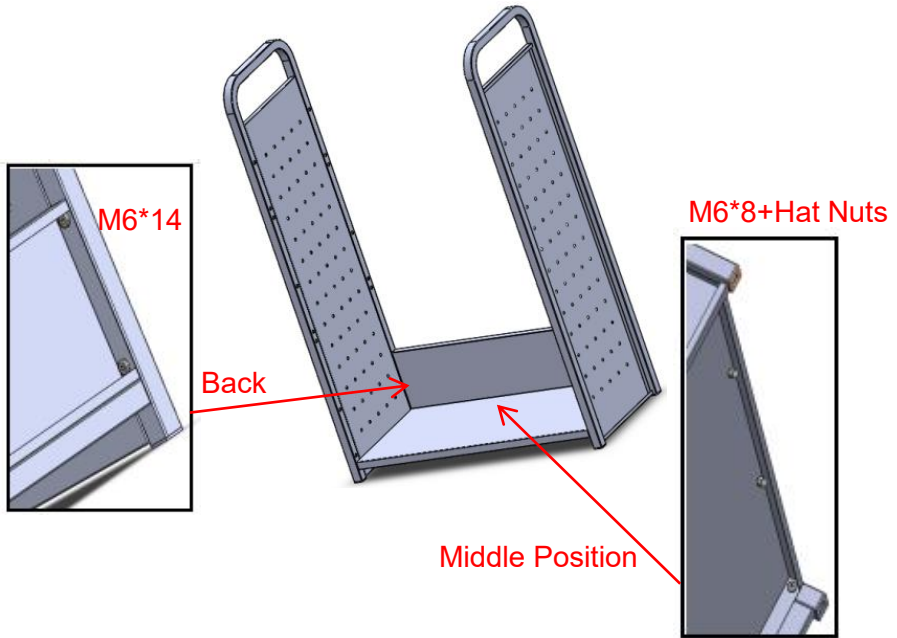
HINWEIS: Diese Installation wird am besten von zwei Personen durchgeführt.

Schritt 1 : Installieren Sie das Buchspeicherpanel . _ _ _



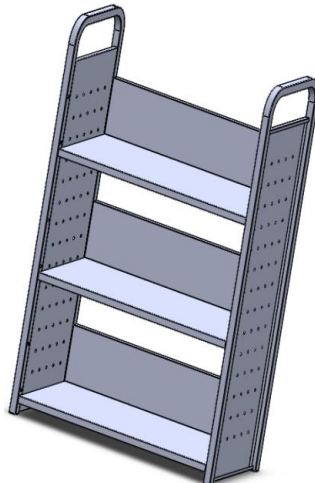
HINWEIS: Bitte ziehen Sie die Schrauben noch nicht fest.

Schritt 2: Installieren Sie die Bücherregal-Rückwand.

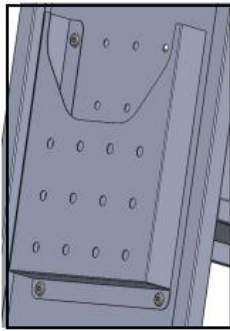


HINWEIS: Alle Schrauben sollten festgezogen werden, nachdem der Wagen vollständig installiert ist.

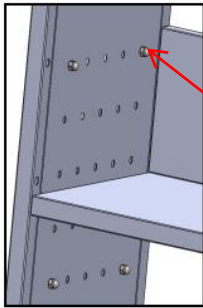
Schritt 3: Nachdem alle Teile installiert sind, stellen Sie den Winkel des Rahmens ein und ziehen Sie alle Schrauben fest .



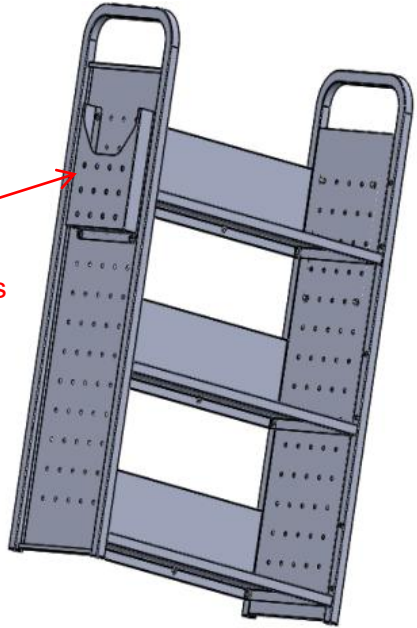
Schritt 4: Installieren Sie den Dokumentenständer.



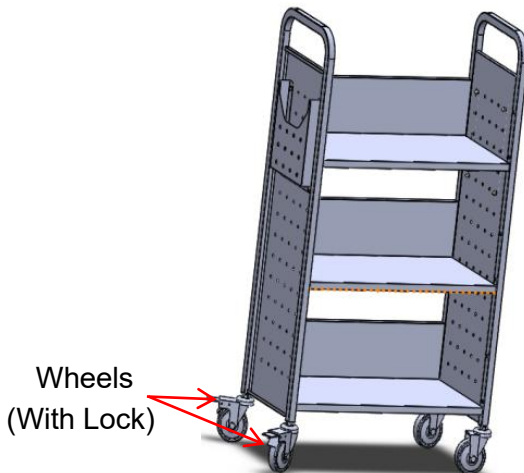
M6*8+Hat Nuts



Hat Nuts



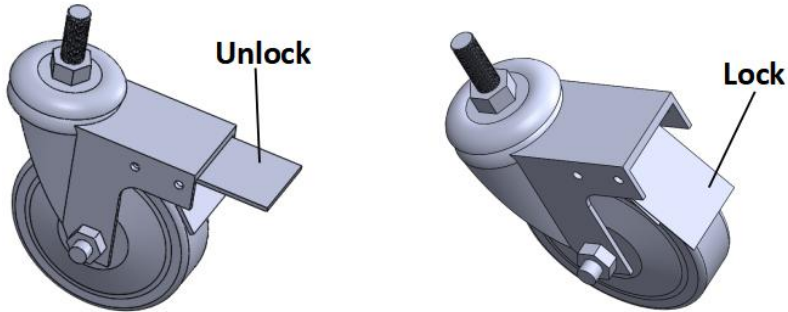
Schritt 5: Montieren Sie die vier Räder .



USING THE CASTER BRAKE

■ Um die Lenkrollen mit Bremse zu arretieren, betätigen Sie die Hebel nach unten.

■ Um die Lenkrollen mit Bremse zu entriegeln, ziehen Sie die Hebel nach oben.



MAINTENANCE

7. Reinigen Sie die Oberfläche nach jedem Gebrauch.
Bitte überprüfen und bestätigen Sie, dass der Wagen intakt ist vor jedem Gebrauch.
8. Überprüfen Sie, ob die Schrauben fest sitzen .
9. Radlager werden regelmäßig mit Fett geschmiert .

Adresse: Baoshanqu Shuangchenglu 803long 11hao 1602A-1609shi
Shanghai

Importiert nach AUS: SIHAO PTY LTD, 1 ROKEVA STREETEASTWOOD
NSW 2122 Australien

In die USA importiert: Sanven Technology Ltd, Suite 250, 9166 Anaheim
Place, Rancho Cucamonga, CA 91730

EC	REP	SHUNSHUN GmbH Römeräcker 9 Z2021, 76351 Linkenheim-Hochstetten, Germany
-----------	------------	---

UK	REP	Pooledas Group Ltd Unit 5 Albert Edward House, The Pavilions Preston, United Kingdom
-----------	------------	--

In China hergestellt

VEVOR[®]

TOUGH TOOLS, HALF PRICE

Technisch Support- und E-Garantiezertifikat

www.vevor.com/support

VEVOR[®]

TOUGH TOOLS, HALF PRICE

Supporto tecnico e certificato di garanzia elettronica

www.vevor.com/support

CARRELLI PER LIBRI

MODELLO: HXTC-L

We continue to be committed to provide you tools with competitive price.

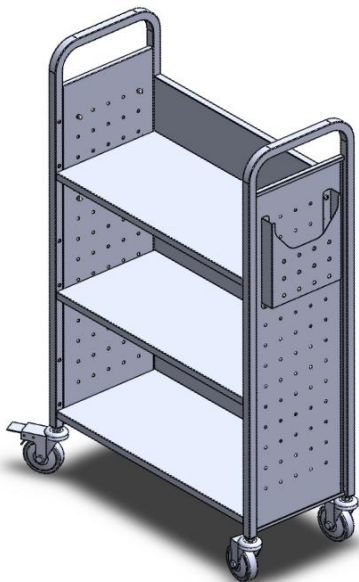
"Save Half", "Half Price" or any other similar expressions used by us only represents an estimate of savings you might benefit from buying certain tools with us compared to the major top brands and does not necessarily mean to cover all categories of tools offered by us. You are kindly reminded to verify carefully when you are placing an order with us if you are actually saving half in comparison with the top major brands.

VEVOR[®]

TOUGH TOOLS, HALF PRICE

BOOK CARTS

MODELLO: HXTC- L



NEED HELP? CONTACT US!

Have product questions? Need technical support? Please feel free to contact us:

Technical Support and E-Warranty Certificate
www.vevor.com/support

This is the original instruction, please read all manual instructions carefully before operating. VEVOR reserves a clear interpretation of our user manual. The appearance of the product shall be subject to the product you received. Please forgive us that we won't inform you again if there are any technology or software updates on our product.

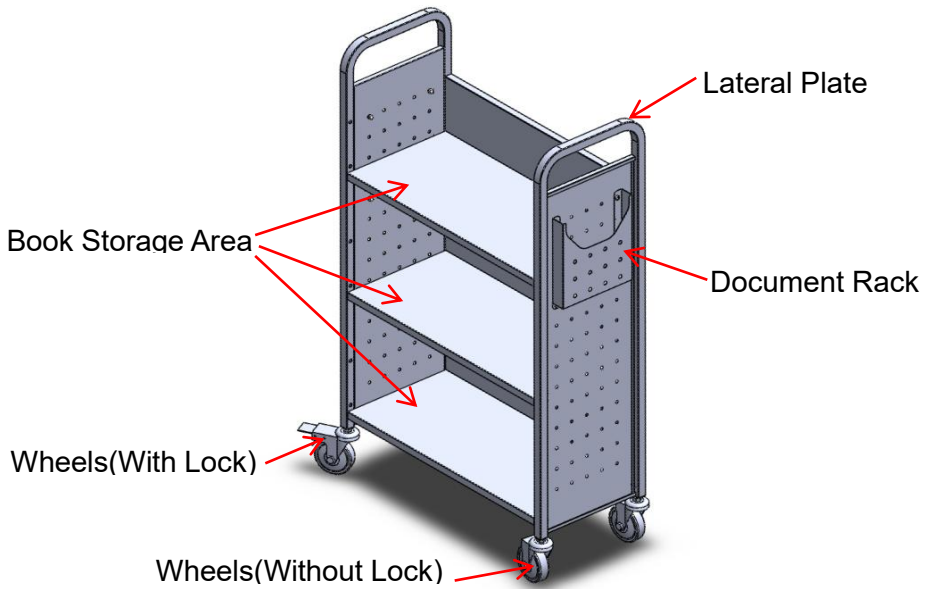
SAFETY INSTRUCTIONS

7. È vietato trasportare persone in qualsiasi condizione.
8. Mantenere il prodotto su superfici piane. È vietato caricare articoli su terreni sconnessi e collinari. Il prodotto potrebbe diventare instabile e ribaltarsi conservato o spostato su una superficie non piana, che potrebbe causare lesioni personali o danni al prodotto.
- 3 . Il sovraccarico è severamente vietato.
- 4 . Non muoverti troppo velocemente quando attraversi aree con buche.
5. Utilizzare i freni quando il prodotto non viene spostato. Ciò impedisce il prodotto dalla laminazione.
12. Non alterare questo prodotto in alcun modo.
13. Non sollevare il prodotto direttamente con un carrello elevatore né trainarlo con dispositivi meccanici.

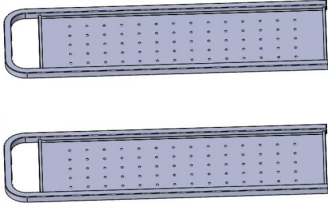
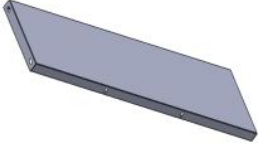


MODEL AND PARAMETERS








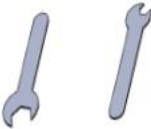

Modello	HXTC-L
Tipo di scaffale	L (lato singolo)
Numero di scaffali	3
Massimo. Capacità	110 libbre/per ripiano
Materiale	Acciaio
Colore	Nero bianco

STRUCTURE DIAGRAM



PARTS LIST

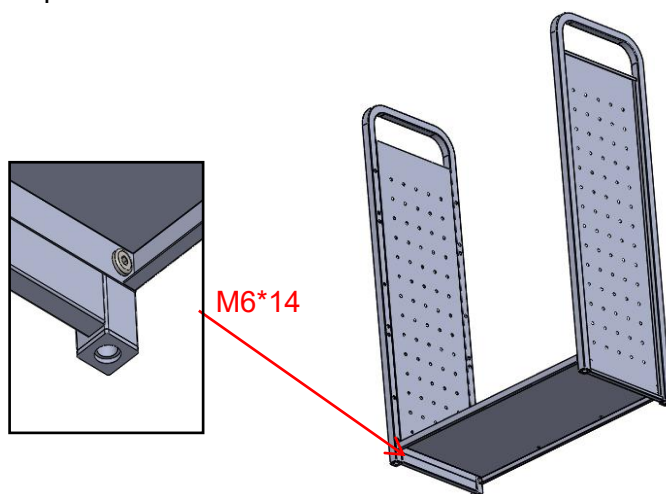
	
<p>Piastra laterale tardi s x2 _ (Due pezzi sono simmetrici.)</p>	<p>Scaffale per libreria _ x3 _</p>
	
<p>Pannelli porta libri x 3 _ _ _</p>	<p>Ruote (con serratura) x2 _</p>

	
<p>Ruote (senza blocco) x 2</p>	<p>Portadocumenti __ x1 __</p>
	
<p>Libro ds x 2 _</p>	<p>Chiave H ex _ x1 __</p>
	
<p>Bulloni (M6*8) x 11 (Ne servono solo dieci, uno in più)</p>	<p>Dado a cappello s(M6) x 11 (Ne servono solo dieci, uno in più)</p>
	
<p>Bulloni (M6*14) x 26 (Ne servono solo ventiquattro, altri due)</p>	<p>Chiave s (10+19mm) x 2</p>
	
<p>Manuale utentex1</p>	

INSTALLATION

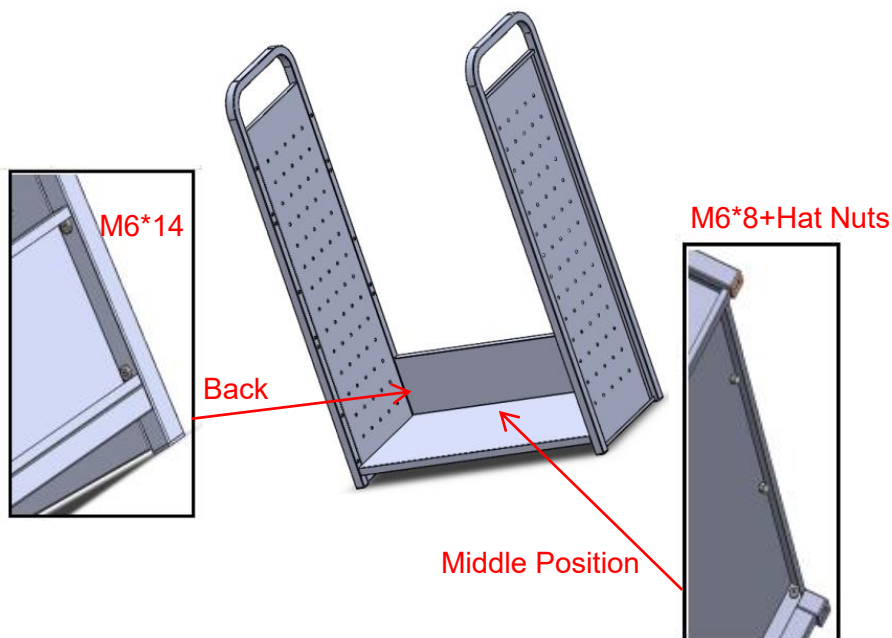
NOTA: è meglio che questa installazione venga eseguita da due persone.

1 : installare il pannello di archiviazione dei libri .



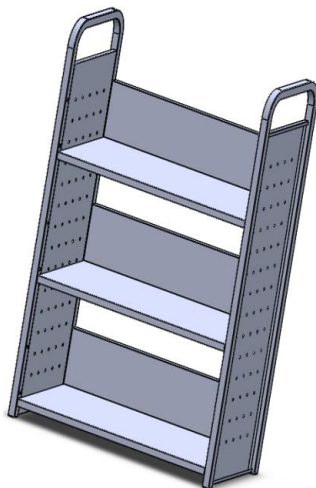
NOTA: non serrare ancora i bulloni.

Passaggio 2: installare il tabellone dello scaffale.

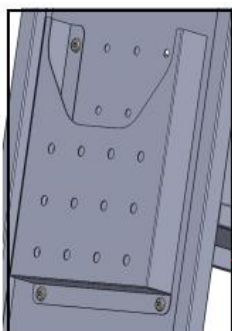


NOTA: tutti i bulloni devono essere serrati dopo aver installato completamente il carrello.

Passaggio 3: Dopo aver installato tutte le parti, regolare l'angolazione del telaio e serrare tutti i bulloni .



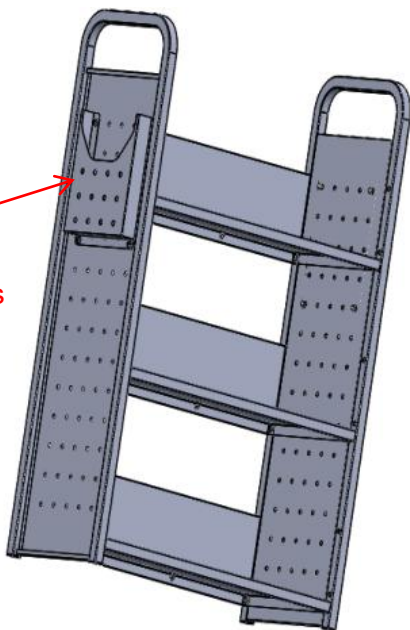
Passaggio 4: installare il vassoio portadocumenti.



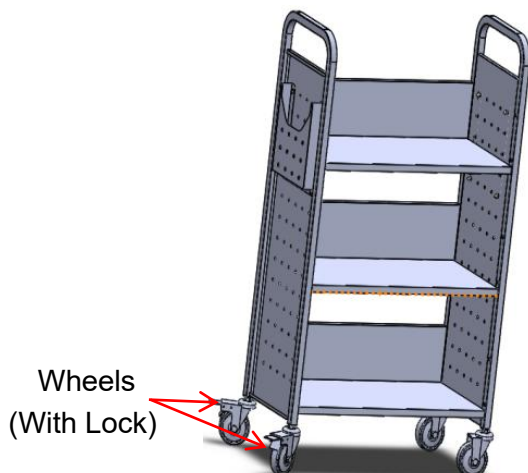
M6*8+Hat Nuts



Hat Nuts

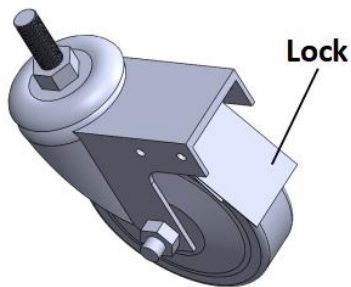
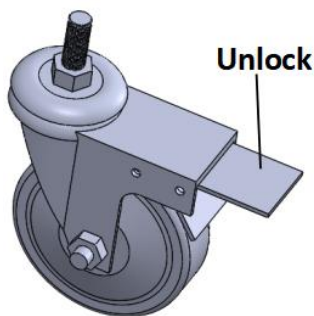


Passaggio 5: installare le quattro ruote .



USING THE CASTER BRAKE

- Per bloccare le rotelle piroettanti con freno, abbassare le leve.
- Per sbloccare le ruote piroettanti con freno, tirare verso l'alto le leve.



MAINTENANCE

10. Pulire la superficie dopo ogni utilizzo.
Ti preghiamo di verificare e confermare che il carrello sia integro prima di ogni utilizzo.
11. Controllare che i bulloni siano serrati .
12. I cuscinetti delle ruote sono regolarmente lubrificati con grasso .

Indirizzo: Baoshanqu Shuangchenglu 803long 11hao 1602A-1609shi
Shanghai

Importato in AUS: SIHAO PTY LTD, 1 ROKEVA STREETEASTWOOD
NSW 2122 Australia

Importato negli Stati Uniti: Sanven Technology Ltd, Suite 250, 9166
Anaheim Place, Rancho Cucamonga, CA 91730



SHUNSHUN GmbH
Römeräcker 9 Z2021, 76351
Linkenheim-Hochstetten, Germany



Pooledas Group Ltd
Unit 5 Albert Edward House, The
Pavilions Preston, United Kingdom

Made in China

VEVOR[®]

TOUGH TOOLS, HALF PRICE

Tecnico Supporto e certificato di garanzia elettronica

www.vevor.com/support

VEVOR[®]

TOUGH TOOLS, HALF PRICE

Soporte técnico y certificado de garantía electrónica

www.vevor.com/support

CARROS DE LIBROS

MODELO: HXTC-L

We continue to be committed to provide you tools with competitive price.

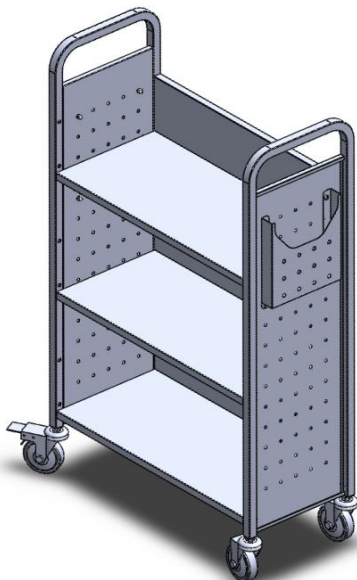
"Save Half", "Half Price" or any other similar expressions used by us only represents an estimate of savings you might benefit from buying certain tools with us compared to the major top brands and does not necessarily mean to cover all categories of tools offered by us. You are kindly reminded to verify carefully when you are placing an order with us if you are actually saving half in comparison with the top major brands.

VEVOR[®]

TOUGH TOOLS, HALF PRICE

BOOK CARTS

MODELO: HXTC- L



NEED HELP? CONTACT US!

Have product questions? Need technical support? Please feel free to contact us:

Technical Support and E-Warranty Certificate
www.vevor.com/support

This is the original instruction, please read all manual instructions carefully before operating. VEVOR reserves a clear interpretation of our user manual. The appearance of the product shall be subject to the product you received. Please forgive us that we won't inform you again if there are any technology or software updates on our product.

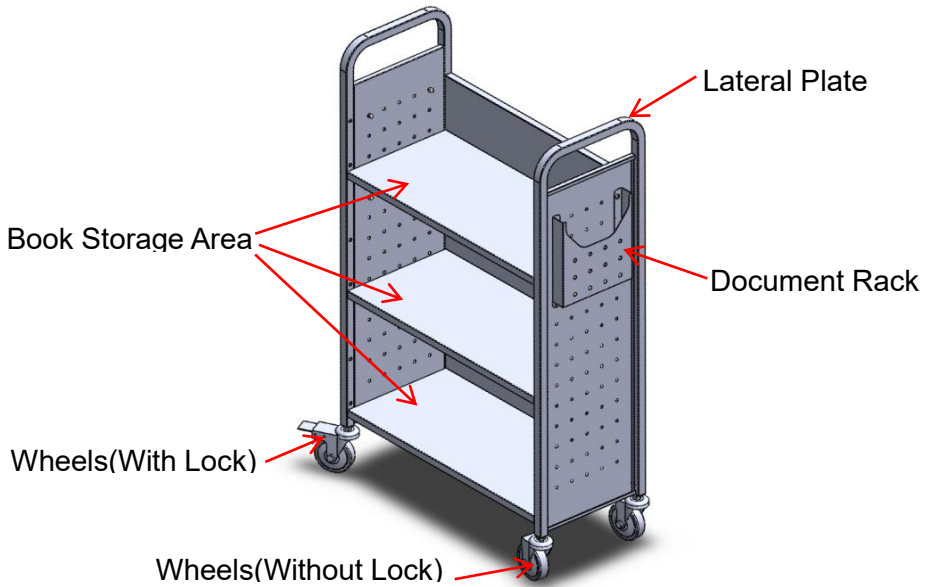
SAFETY INSTRUCTIONS

9. Está prohibido transportar personas bajo cualquier condición.
10. Mantenga el producto en superficies niveladas. Está prohibido cargar artículos en terrenos irregulares y montañosos. El producto puede volverse inestable y volcar si almacenado o movido sobre una superficie desnivelada, lo que puede causar lesiones personales o daños al producto.
- 3 . La sobrecarga está estrictamente prohibida.
- 4 . No se mueva demasiado rápido al pasar por zonas con baches.
5. Utilice los frenos cuando este producto no esté en movimiento. Esto evita
que el producto ruede.
- 14.No altere este producto de ninguna manera.
- 15.No levante el producto directamente con una carretilla elevadora ni lo remolque con ningún dispositivo mecánico.

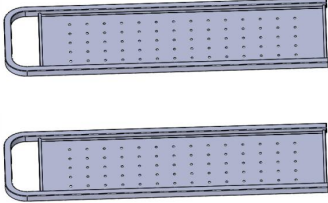
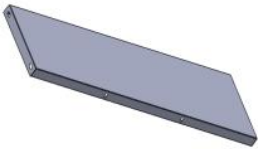
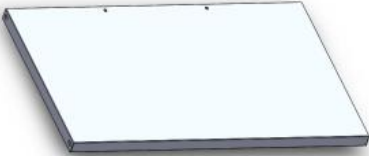

MODEL AND PARAMETERS

Modelo	HXTC-L
Tipo de estante	L (de un solo lado)
Número de estantes	3
Máx. Capacidad	110 libras/por estante
Material	Acero
Color	Blanco negro

STRUCTURE DIAGRAM



PARTS LIST

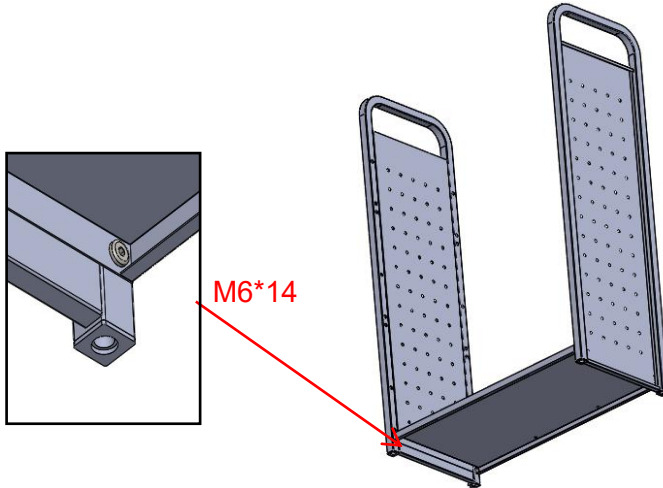
	
Placas laterales __ x2 __ (Dos piezas son simétricas).	Estanterías traseras __ x3 __
	

<p>Paneles de almacenamiento de libros x 3 _</p>	<p>Ruedas (con bloqueo) x2 _</p>
	
<p>Ruedas (sin bloqueo) x 2</p>	<p>Estante para documentos x1 _</p>
	
<p>Reservado x 2 __</p>	<p>Llave hexagonal __ x1 _</p>
	
<p>Pernos (M6*8) x 11 (Solo se necesitan diez, uno más)</p>	<p>Tuerca sombrero s(M6) x 11 (Solo se necesitan diez, uno más)</p>
	
<p>Pernos (M6*14) x 26 (Solo se necesitan veinticuatro, dos más)</p>	<p>Llaves inglesas (10+19 mm) x 2</p>
	
<p>Manual de usuario x1</p>	

INSTALLATION

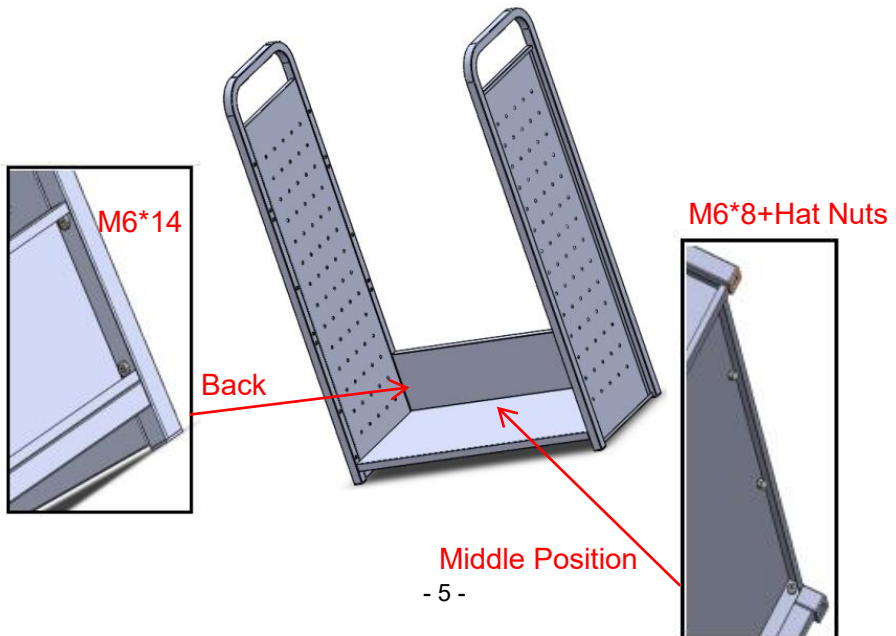
NOTA: Es mejor que esta instalación la realicen dos personas.

Paso 1: Instale el panel de almacenamiento de libros .



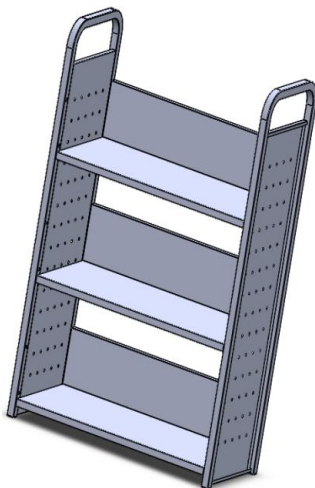
NOTA: No apriete los pernos todavía.

Paso 2: instale el tablero de la estantería.

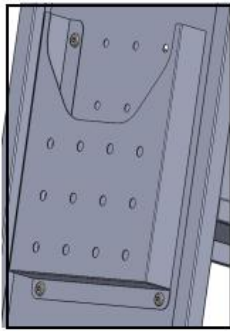


NOTA: Todos los pernos deben apretarse después de que el carro esté completamente instalado.

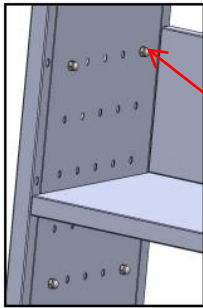
Paso 3: Después de instalar todas las piezas, ajuste el ángulo del marco y apriete todos los pernos .



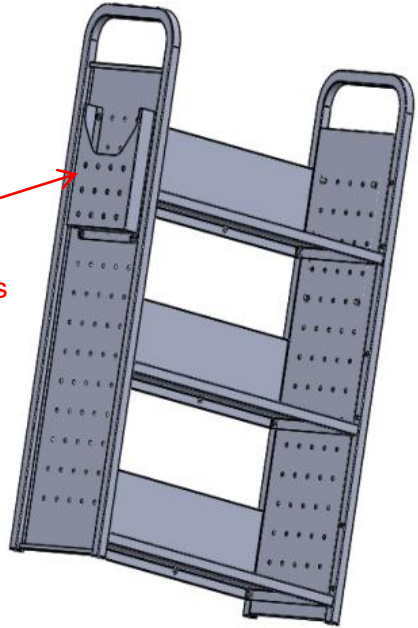
Paso 4: instale el estante para documentos.



M6*8+Hat Nuts



Hat Nuts

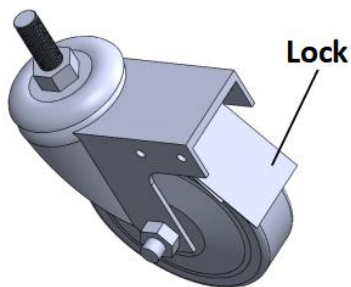
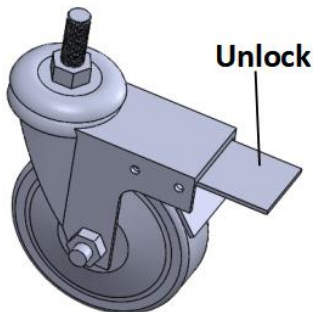


Paso 5: instale las cuatro ruedas .



USING THE CASTER BRAKE

- Para bloquear las ruedas giratorias con freno, baje las palancas.
- Para desbloquear las ruedas giratorias con freno, levante las palancas.



MAINTENANCE

13. Limpiar la superficie después de cada uso.
Por favor verifique y confirme que el carrito esté intacto. antes de cada uso.
14. Compruebe que los tornillos estén apretados .
15. Los cojinetes de las ruedas se lubrican periódicamente con grasa .

Dirección: Baoshanqu Shuangchenglu 803long 11hao 1602A-1609shi
Shanghai

Importado a AUS: SIHAO PTY LTD, 1 ROKEVA STREETEASTWOOD
NSW 2122 Australia

Importado a EE. UU.: Sanven Technology Ltd, Suite 250, 9166 Anaheim
Place, Rancho Cucamonga, CA 91730



SHUNSHUN GmbH
Römeräcker 9 Z2021, 76351
Linkenheim-Hochstetten, Germany



Pooledas Group Ltd
Unit 5 Albert Edward House, The
Pavilions Preston, United Kingdom

Hecho en china

VEVOR[®]

TOUGH TOOLS, HALF PRICE

Técnico Certificado de soporte y garantía electrónica

www.vevor.com/support

VEVOR[®]

TOUGH TOOLS, HALF PRICE

Wsparcie techniczne i certyfikat e-gwarancji

www.vevor.com/support

WÓZKI Z KSIĄŻKAMI

MODEL: HXTC-L

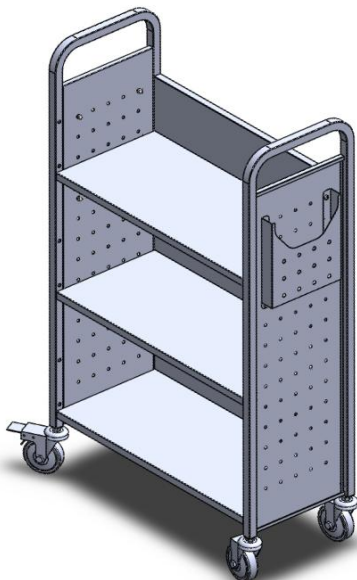
We continue to be committed to provide you tools with competitive price. "Save Half", "Half Price" or any other similar expressions used by us only represents an estimate of savings you might benefit from buying certain tools with us compared to the major top brands and does not necessarily mean to cover all categories of tools offered by us. You are kindly reminded to verify carefully when you are placing an order with us if you are actually saving half in comparison with the top major brands.

VEVOR[®]

TOUGH TOOLS, HALF PRICE

BOOK CARTS

MODEL: HXTC- L



NEED HELP? CONTACT US!

Have product questions? Need technical support? Please feel free to contact us:

Technical Support and E-Warranty Certificate
www.vevor.com/support

This is the original instruction, please read all manual instructions carefully before operating. VEVOR reserves a clear interpretation of our user manual. The appearance of the product shall be subject to the product you received. Please forgive us that we won't inform you again if there are any technology or software updates on our product.

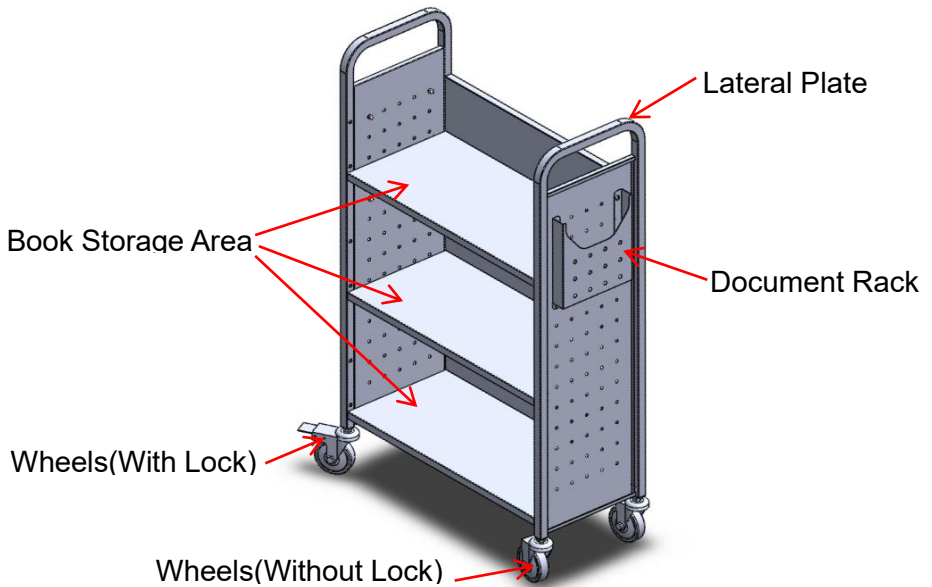
SAFETY INSTRUCTIONS

11. Zabrania się przewożenia osób w jakichkolwiek warunkach.
12. Trzymaj produkt na równych powierzchniach. Zabrania się ładowania artykułów na nierównym i pagórkowatym terenie. Produkt może stać się niestabilny i przechylić się przechowywane lub przenoszone na nierównej powierzchni, co może spowodować obrażenia ciała lub uszkodzenie produktu.
- 3 . Przeciążanie jest surowo zabronione.
- 4 . Nie poruszaj się zbyt szybko, mijając dziury .
5. Używaj hamulców, gdy produkt nie jest przesuwany. Zapobiegnie to produkt od walcowania.
- 16.Nie modyfikuj tego produktu w żaden sposób.
- 17.Nie podnosić produktu bezpośrednio za pomocą wózka widłowego ani nie holować za pomocą jakichkolwiek urządzeń mechanicznych.

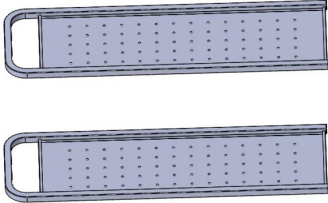
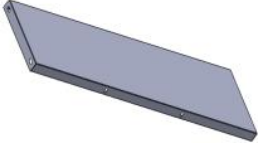
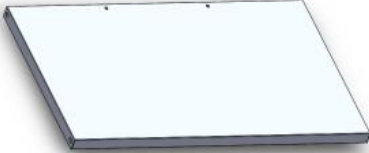

MODEL AND PARAMETERS

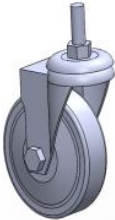






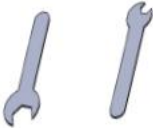

Model	HXTC-L
Typ półki	L (jednostronny)
Liczba półek	3
Maks. Pojemność	110 funtów/na półkę
Materiał	Stal
Kolor	Czarny biały

STRUCTURE DIAGRAM



PARTS LIST

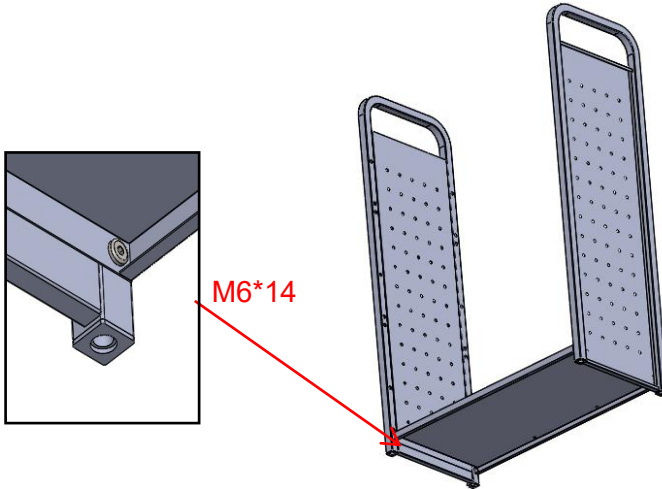
	
<p>Boczne P późne s x 2 (Dwie części są symetryczne.)</p>	<p>Półka na książki Tablica s x 3</p>
	
<p>Panele do przechowywania książek x 3</p>	<p>Koła (z blokadą) x 2</p>

	
<p>Koła (bez blokady) x 2</p>	<p>Regał dokumentów _ x 1</p>
	
<p>Zarezerwowane ds x 2 _</p>	<p>Hex key x 1</p>
	
<p>Śruby (M6*8) x 11 (Potrzebnych jest tylko dziesięć, jeszcze jeden)</p>	<p>Nakrętka kapeluszowa s(M6) x 11 (Potrzebnych jest tylko dziesięć, jeszcze jeden)</p>
	
<p>Śruby (M6*14) x 26 (Potrzebne są tylko dwadzieścia cztery, jeszcze dwa)</p>	<p>Klucz s(10+19mm) x 2</p>
	
<p>Instrukcja obsługi x1</p>	

INSTALLATION

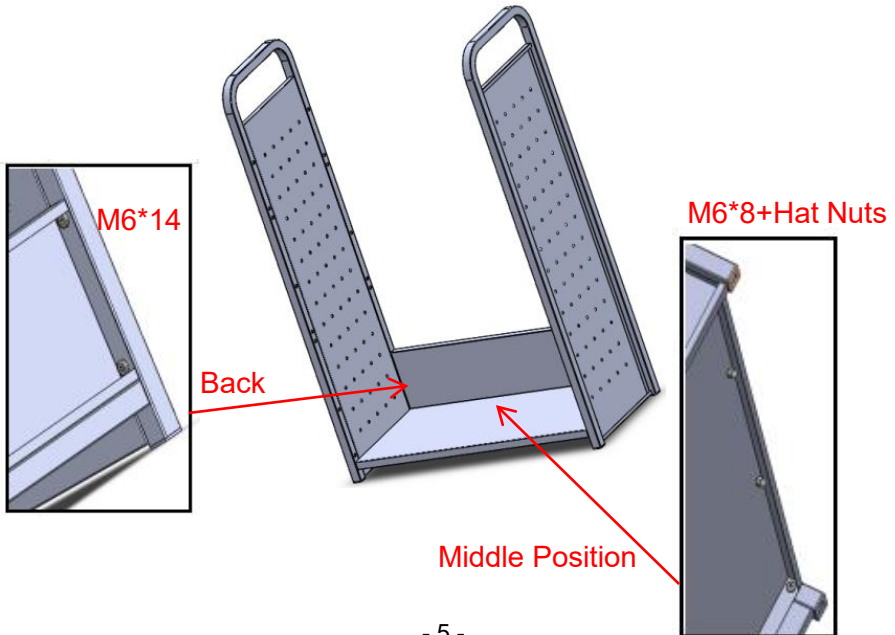
UWAGA: Tę instalację najlepiej przeprowadzić w dwie osoby.

Krok 1 : Zainstaluj panel do przechowywania książek .



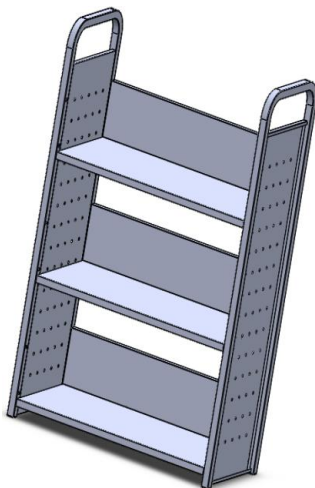
UWAGA: Proszę nie dokręcać jeszcze śrub.

Krok 2: Zainstaluj tablicę półki na książki.

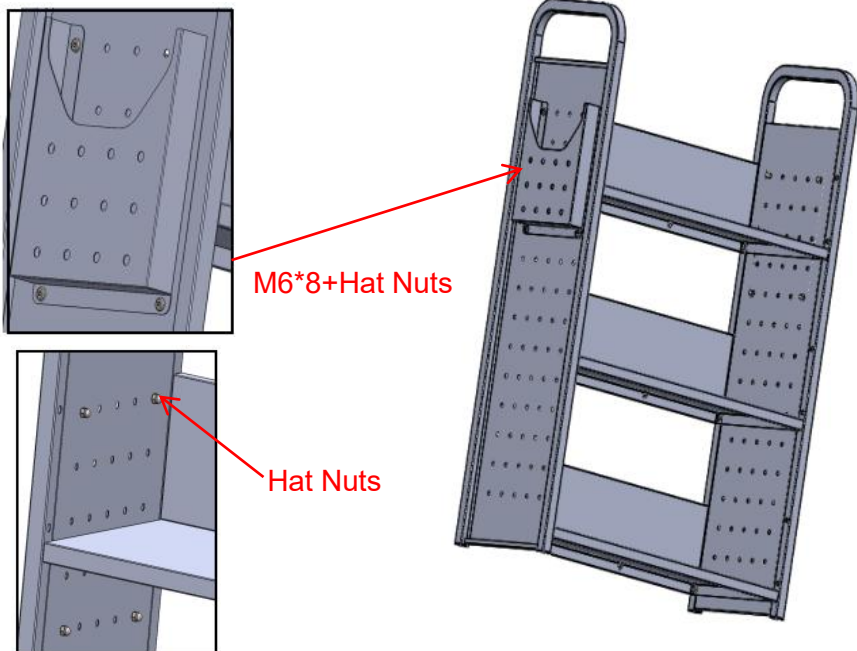


UWAGA: Wszystkie śruby należy dokręcić po całkowitym zainstalowaniu wózka.

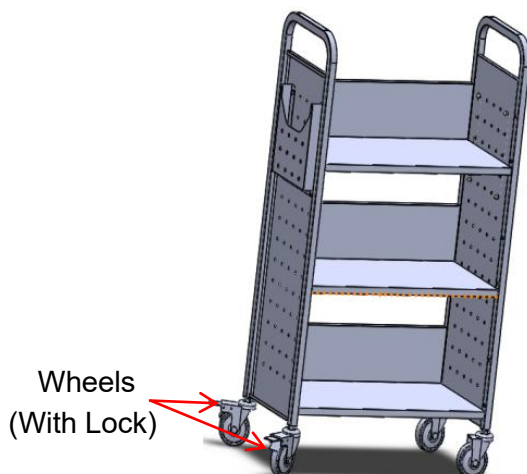
Krok 3: Po zamontowaniu wszystkich części wyreguluj kąt ramy i dokręć wszystkie śruby .



Krok 4: Zainstaluj półkę na dokumenty.

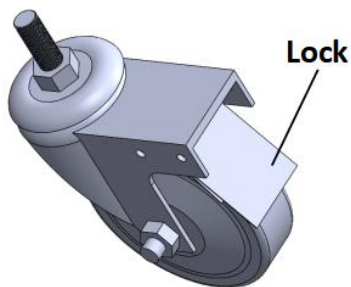
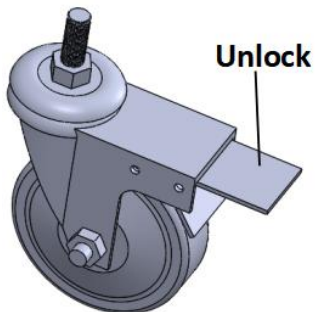


Krok 5: Zamontuj cztery koła .



USING THE CASTER BRAKE

- Aby zablokować kółka skrętne z hamulcem, należy opuścić dźwignie.
- Aby odblokować kółka skrętne z hamulcem, pociągnij dźwignie do góry.



MAINTENANCE

16. Po każdym użyciu należy oczyścić powierzchnię.
Sprawdź i potwierdź, że wózek jest nienaruszony przed każdym użyciem.
17. Sprawdź, czy śruby są dokręcone .
18. Łożyska kół są regularnie smarowane smarem .

Adres: Baoshanqu Shuangchenglu 803long 11hao 1602A-1609shi
Szanghaj

Import do AUS: SIHAO PTY LTD, 1 ROKEVA STREET EASTWOOD NSW
2122 Australia

Import do USA: Sanven Technology Ltd, Suite 250, 9166 Anaheim Place,
Rancho Cucamonga, CA 91730



SHUNSHUN GmbH
Römeräcker 9 Z2021, 76351
Linkenheim-Hochstetten, Germany



Pooledas Group Ltd
Unit 5 Albert Edward House, The
Pavilions Preston, United Kingdom

Wyprodukowano w Chinach

VEVOR[®]

TOUGH TOOLS, HALF PRICE

Techniczny Certyfikat wsparcia i e-gwarancji

www.vevor.com/support

VEVOR[®]

TOUGH TOOLS, HALF PRICE

Technische ondersteuning en e-garantiecertificaat

www.vevor.com/support

BOEKKARREN

MODEL: HXTC-L

We continue to be committed to provide you tools with competitive price.

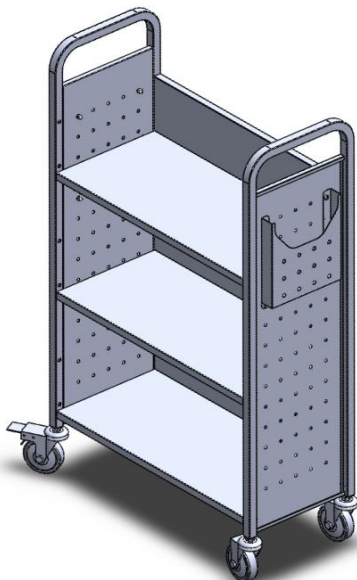
"Save Half", "Half Price" or any other similar expressions used by us only represents an estimate of savings you might benefit from buying certain tools with us compared to the major top brands and does not necessarily mean to cover all categories of tools offered by us. You are kindly reminded to verify carefully when you are placing an order with us if you are actually saving half in comparison with the top major brands.

VEVOR[®]

TOUGH TOOLS, HALF PRICE

BOOK CARTS

MODEL: HXTC- L



NEED HELP? CONTACT US!

Have product questions? Need technical support? Please feel free to contact us:

Technical Support and E-Warranty Certificate
www.vevor.com/support

This is the original instruction, please read all manual instructions carefully before operating. VEVOR reserves a clear interpretation of our user manual. The appearance of the product shall be subject to the product you received. Please forgive us that we won't inform you again if there are any technology or software updates on our product.

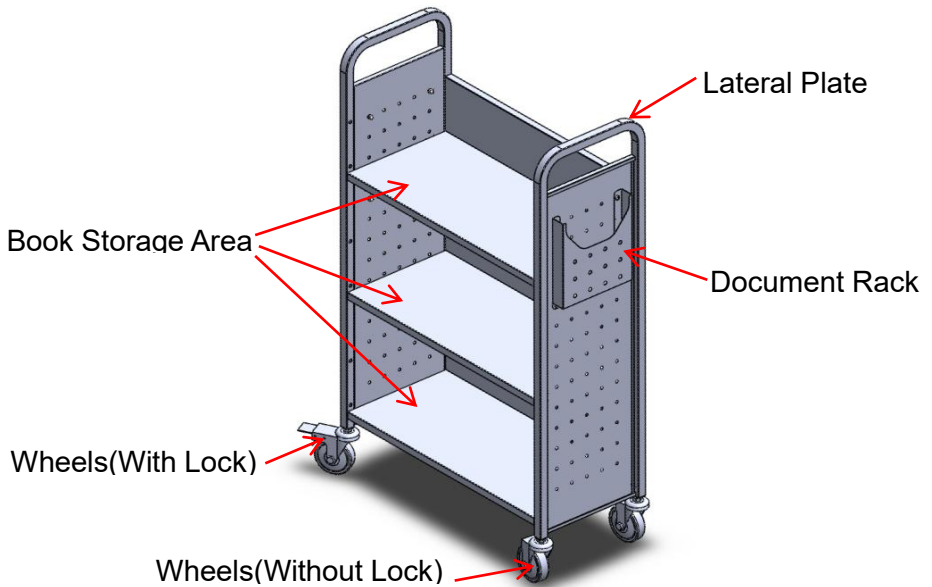
SAFETY INSTRUCTIONS

13. onder geen enkele omstandigheid verboden mensen te vervoeren .
14. Bewaar het product op een vlakke ondergrond. Het is verboden artikelen te laden op oneffen en heuvelachtig terrein. Het product kan onstabiel worden en kantelen opgeslagen of verplaatst op een oneffen oppervlak, wat persoonlijk letsel kan veroorzaken of productschade.
- 3 . Overbelasting is ten strengste verboden.
- 4 . Beweeg niet te snel bij het passeren van kuilen .
- 5 . Gebruik de remmen als dit product niet wordt verplaatst. Dit voorkomt het product rolt.
18. Wijzig dit product op geen enkele manier.
19. Til het product niet rechtstreeks op met een vorkheftruck en sleep het niet met mechanische apparaten.

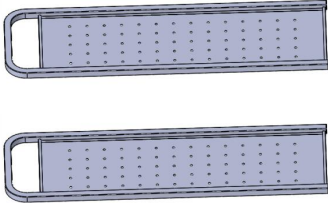
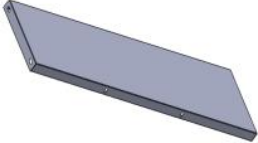


MODEL AND PARAMETERS

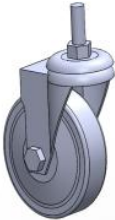








Model	HXTC-L
Planktype	L -vormig (enkelzijdig)
Aantal planken	3
Max. Capaciteit	110 pond/per plank
Materiaal	Staal
Kleur	Zwart wit

STRUCTURE DIAGRAM



PARTS LIST

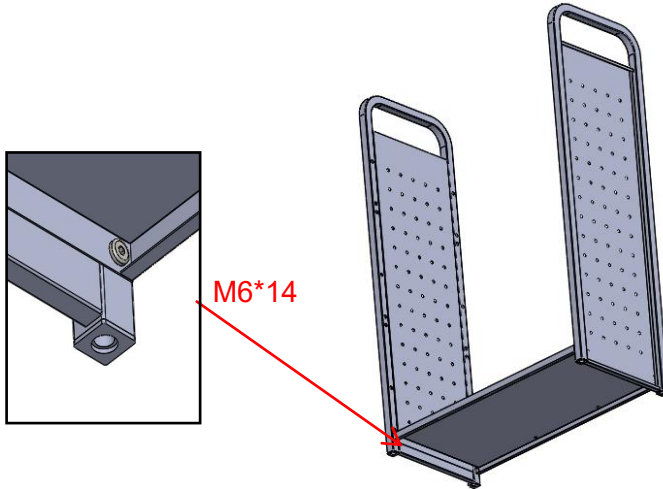
	
<p>Laterale Platen x 2 (Twee stukken zijn symmetrisch.)</p>	<p>Boekenplank Achterplanken __ x 3</p>
	
<p>Boekopbergpanelen x 3 _ _ _ _</p>	<p>Wielen (met slot) x 2</p>

	
<p>Wielen (zonder slot) x 2</p>	<p>Document Rack x 1</p>
	
<p>Boekends x 2</p>	<p>Inbussleutel ___ x 1</p>
	
<p>Bouten (M6*8) x 11 (Er zijn er slechts tien nodig, nog één)</p>	<p>Hoedmoers (M6) x 11 (Er zijn er slechts tien nodig, nog één)</p>
	
<p>Bouten (M6*14) x 26 (Er zijn er slechts vierentwintig nodig, nog twee)</p>	<p>Sleutels (10+19mm) x 2</p>
	
<p>Gebruikershandleiding x1</p>	

INSTALLATION

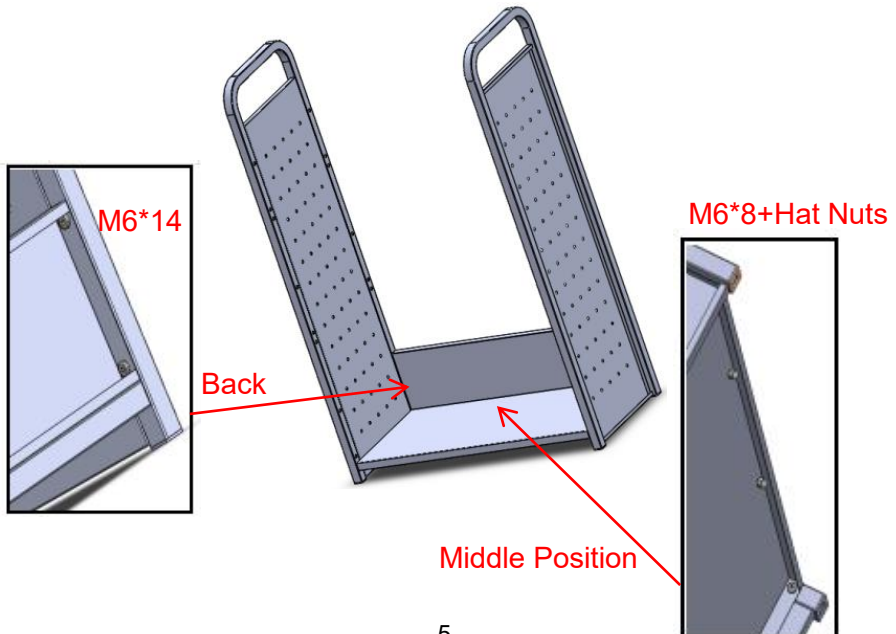
OPMERKING: Deze installatie kan het beste door twee personen worden uitgevoerd.

Stap 1 : Installeer het boekenopbergpaneel . _ _ _



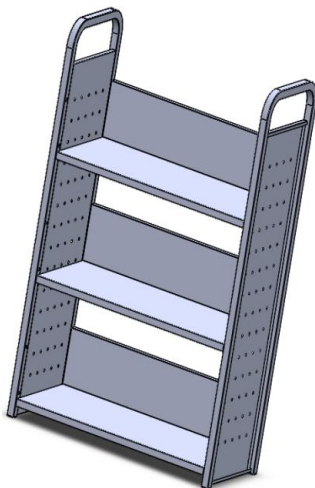
OPMERKING: Draai de bouten nog niet vast.

Stap 2: Installeer het boekenplankbord.

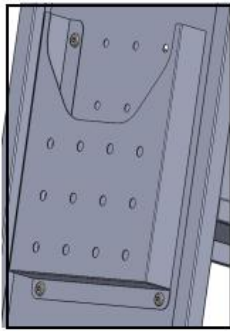


OPMERKING: Alle bouten moeten worden vastgedraaid nadat de wagen volledig is geïnstalleerd.

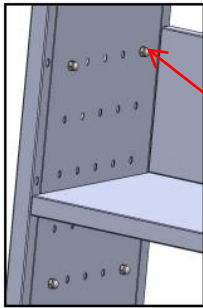
Stap 3: Nadat alle onderdelen zijn geïnstalleerd, past u de hoek van het frame aan en draait u alle bouten vast .



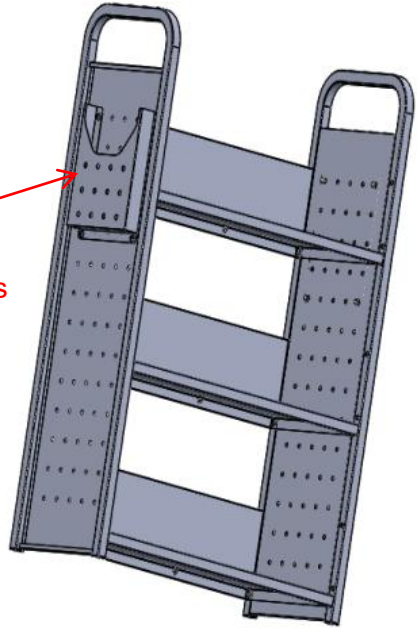
Stap 4: Installeer het documentenrek.



M6*8+Hat Nuts



Hat Nuts



Stap 5: Installeer de vier wielen .

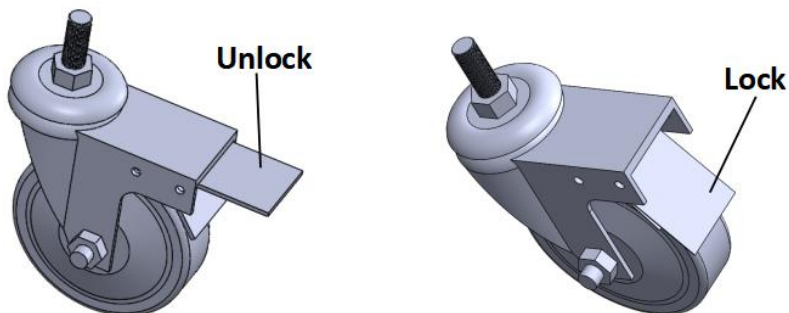


Wheels
(With Lock)

USING THE CASTER BRAKE

■ Om de zwenkwielen met rem te vergrendelen, drukt u de hendels omlaag.

■ Om de zwenkwielen met rem te ontgrendelen, trekt u de hendels omhoog.



MAINTENANCE

19. Reinig het oppervlak na elk gebruik.

Controleer en bevestig dat de winkelwagen intact is vóór elk gebruik.

20. Controleer of de bouten goed vastzitten .

21. Wiellagers worden regelmatig met vet gesmeerd .

Adres: Baoshanqu Shuangchenglu 803long 11hao 1602A-1609shi
Shanghai

Geïmporteerd naar AUS: SIHAO PTY LTD, 1 ROKEVA
STREETEASTWOOD NSW 2122 Australië

Geïmporteerd naar de VS: Sanven Technology Ltd, Suite 250, 9166
Anaheim Place, Rancho Cucamonga, CA 91730

EC	REP
-----------	------------

SHUNSHUN GmbH
Römeräcker 9 Z2021, 76351
Linkenheim-Hochstetten, Germany

UK	REP
-----------	------------

Pooledas Group Ltd
Unit 5 Albert Edward House, The
Pavilions Preston, United Kingdom

Gemaakt in China

VEVOR[®]

TOUGH TOOLS, HALF PRICE

Technisch Ondersteuning en e-garantiecertificaat

www.vevor.com/support

VEVOR[®]

TOUGH TOOLS, HALF PRICE

Teknisk support och e-garanticertifikat

www.vevor.com/support

BOKVAGNAR

MODELL: HXTC-L

We continue to be committed to provide you tools with competitive price.

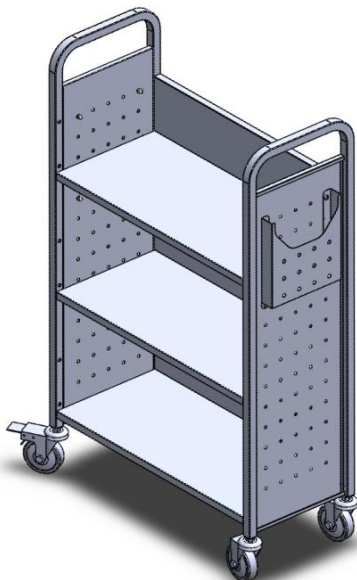
"Save Half", "Half Price" or any other similar expressions used by us only represents an estimate of savings you might benefit from buying certain tools with us compared to the major top brands and does not necessarily mean to cover all categories of tools offered by us. You are kindly reminded to verify carefully when you are placing an order with us if you are actually saving half in comparison with the top major brands.

VEVOR[®]

TOUGH TOOLS, HALF PRICE

BOOK CARTS

MODELL: HXTC- L



NEED HELP? CONTACT US!

Have product questions? Need technical support? Please feel free to contact us:

Technical Support and E-Warranty Certificate
www.vevor.com/support

This is the original instruction, please read all manual instructions carefully before operating. VEVOR reserves a clear interpretation of our user manual. The appearance of the product shall be subject to the product you received. Please forgive us that we won't inform you again if there are any technology or software updates on our product.

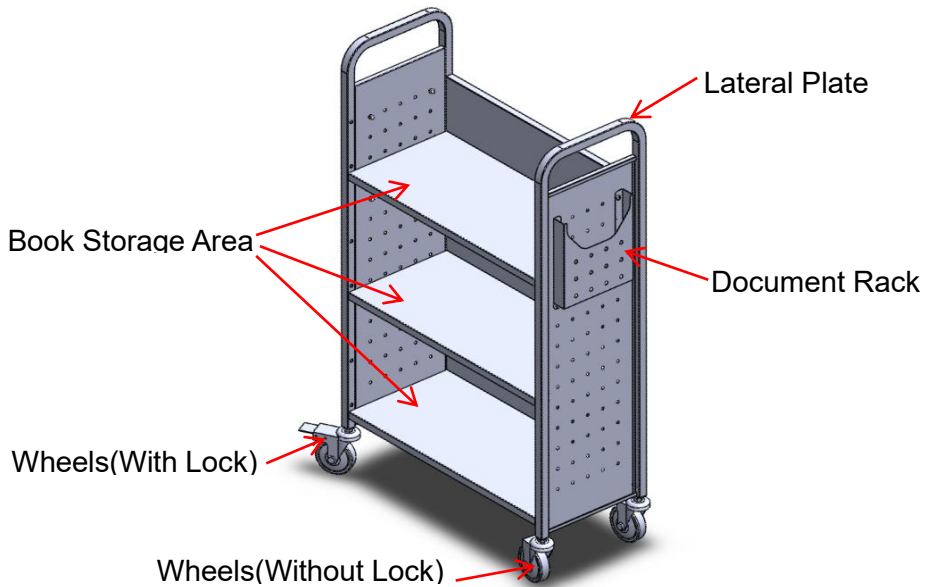
SAFETY INSTRUCTIONS

15. Det är förbjudet att transportera människor under alla förhållanden.
16. Håll produkten på jämna ytor. Det är förbjudet att lasta föremål i ojämn och kuperad terräng. Produkten kan bli instabil och tippa om förvaras eller flyttas på en ojämn yta, vilket kan orsaka personskada eller produktskador.
- 3 . Överbelastning är strängt förbjuden.
- 4 . Rör dig inte för snabbt när du passerar gropar .
5. Använd bromsarna när denna produkt inte flyttas. Detta förhindrar produkten från rullning.
20. Ändra inte denna produkt på något sätt.
21. Lyft inte produkten direkt med en gaffeltruck eller bogser med någon mekanisk anordning.

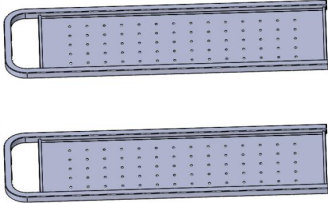
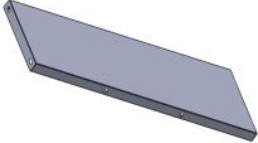


MODEL AND PARAMETERS

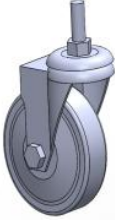






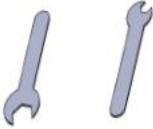

Modell	HXTC-L
Typ av hyllplan	L -formad (enkelsidig)
Antal hyllor	3
Max. Kapacitet	110lbs/per hylla
Material	Stål
Färg	Svart vit

STRUCTURE DIAGRAM



PARTS LIST

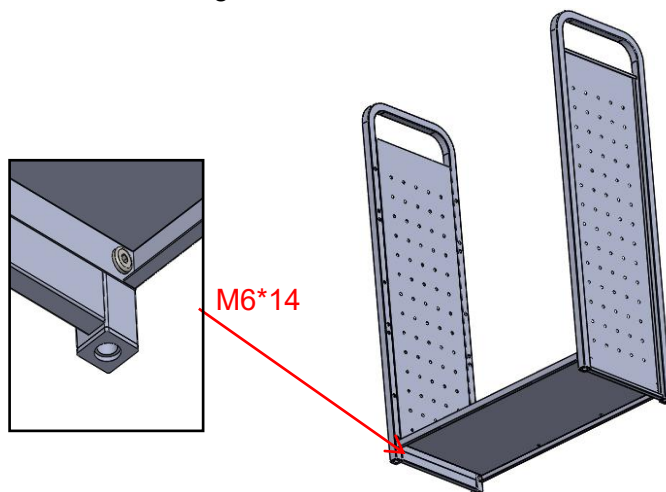
	
<p>Lateral Plate s x 2 (Två delar är symmetriska.)</p>	<p>Bokhylla Backboard s x 3</p>
	
<p>Bok Storage Panel s x 3</p>	<p>Hjul (med lås) x 2</p>

	
<p>Hjul (utan lås) x 2</p>	<p>Dokument R ack x 1</p>
	
<p>Bokad ds x 2 _</p>	<p>H ex k ey x 1</p>
	
<p>Bultar (M6*8) x 11 (Det behövs bara tio, en till)</p>	<p>Hattmutter s(M6) x 11 (Det behövs bara tio, en till)</p>
	
<p>Bultar (M6*14) x 26 (Bara tjugofyra behövs, två till)</p>	<p>W rench s (10+19 mm) x 2</p>
	
<p>Användarmanual x1</p>	

INSTALLATION

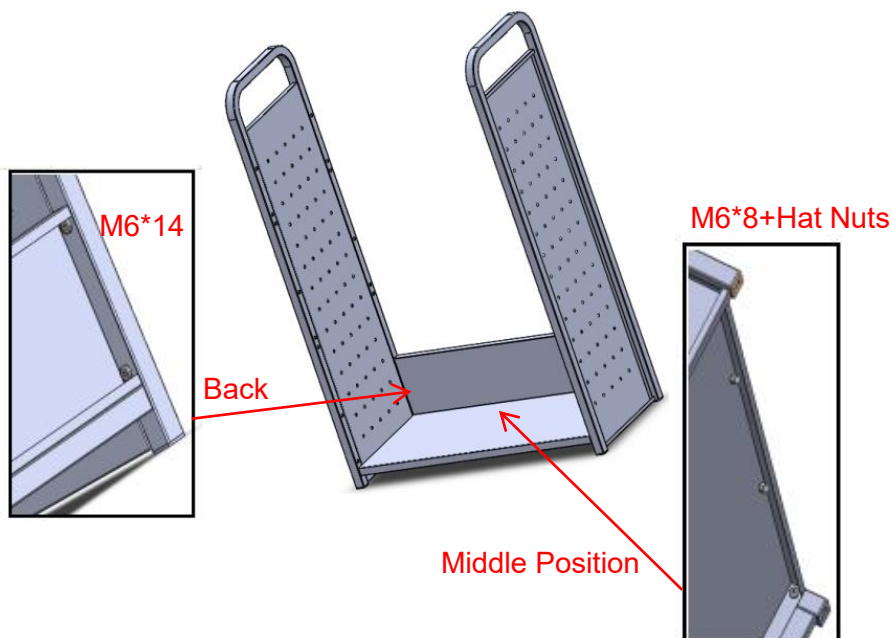
OBS: Denna installation görs bäst av två personer.

Steg 1: Sätt in B oek S storage P anel .



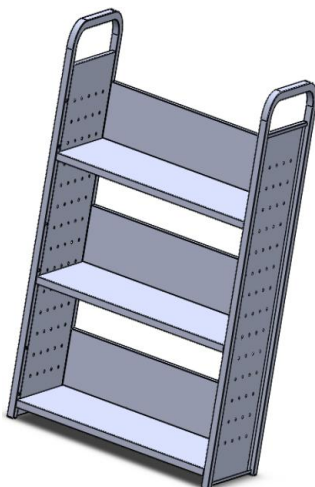
OBS: Dra inte åt bultarna ännu.

Steg 2: Installera bokhyllans backboard.

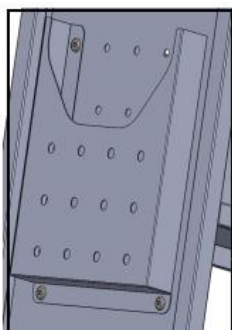


OBS: Alla bultar ska dras åt efter att vagnen är helt installerad.

Steg 3: Efter att alla delar är installerade, justera vinkeln på ramen och dra åt alla bultar .



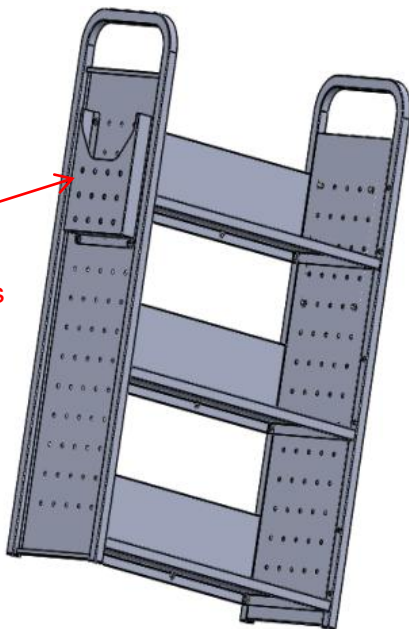
Steg 4: Installera dokumentstället.



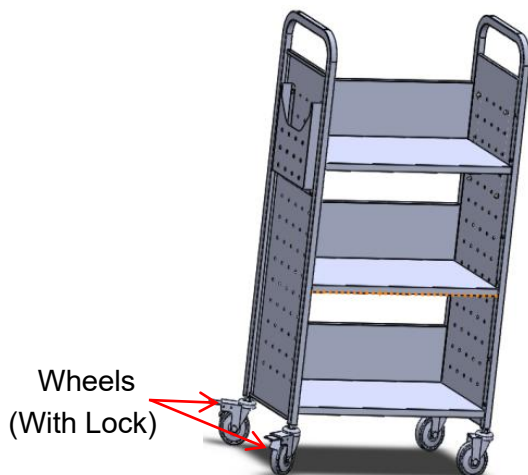
M6*8+Hat Nuts



Hat Nuts

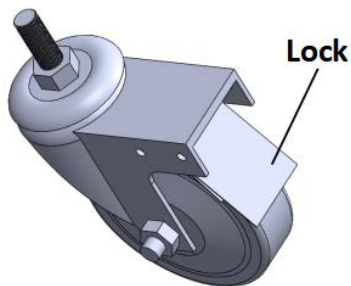
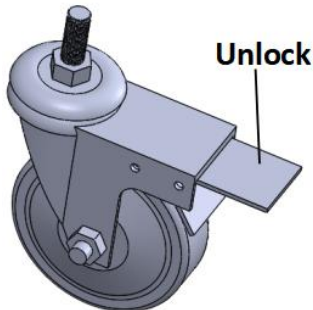


Steg 5: Montera de fyra hjulen .



USING THE CASTER BRAKE

- För att låsa de svängbara hjulen med broms, stega ned spakarna.
- För att låsa upp de svängbara hjulen med broms, dra upp spakarna.



MAINTENANCE

22. Rengör ytan efter varje användning.
Kontrollera och bekräfta att vagnen är intakt före varje användning.
23. Kontrollera att bultarna är åtdragna .
24. Hjullager smörjs regelbundet med fett .

Adress: Baoshanqu Shuangchenglu 803long 11hao 1602A-1609shi
Shanghai

Importerad till AUS: SIHAO PTY LTD, 1 ROKEVA STREETEASTWOOD
NSW 2122 Australien

Importerad till USA: Sanven Technology Ltd, Suite 250, 9166 Anaheim
Place, Rancho Cucamonga, CA 91730



SHUNSHUN GmbH
Römeräcker 9 Z2021, 76351
Linkenheim-Hochstetten, Germany



Pooledas Group Ltd
Unit 5 Albert Edward House, The
Pavilions Preston, United Kingdom

Tillverkad i Kina

VEVOR[®]

TOUGH TOOLS, HALF PRICE

Teknisk Support och e-garanticertifikat

www.vevor.com/support