

VEVOR[®]

TOUGH TOOLS, HALF PRICE

Technical Support and E-Warranty Certificate

www.vevor.com/support

CAT COLLET CHUCK SET

& SPRING COLLET SET

MODEL: R813/ER3225/CAT4035/CAT408

CAT405/CAT404/CAT40APU13

We continue to be committed to provide you tools with competitive price.

"Save Half", "Half Price" or any other similar expressions used by us only represents an estimate of savings you might benefit from buying certain tools with us compared to the major top brands and does not necessarily mean to cover all categories of tools offered by us. You are kindly reminded to verify carefully when you are placing an order with us if you are actually saving half in comparison with the top major brands.

VEVOR[®]

TOUGH TOOLS, HALF PRICE

CAT COLLET CHUCK SET & SPRING COLLET SET



R813



ER3225



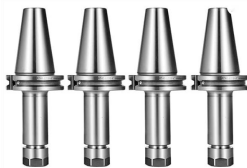
CAT4035



CAT408



CAT405



CAT404



CAT40APU13

NEED HELP? CONTACT US!

Have product questions? Need technical support? Please feel free to contact us:

Technical Support and E-Warranty Certificate
www.vevor.com/support

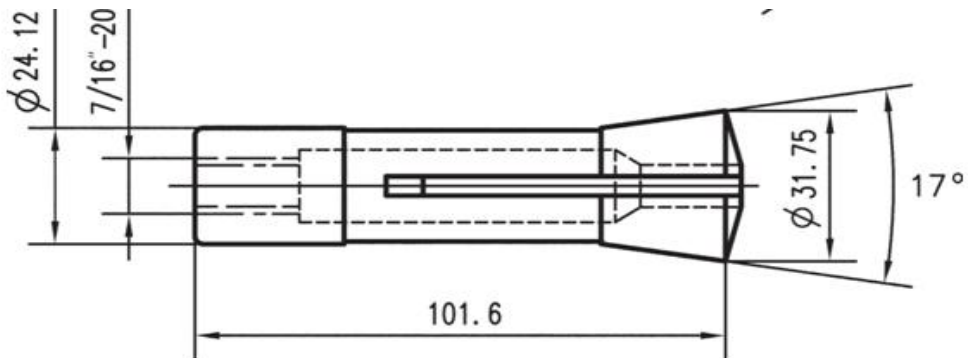
This is the original instruction, please read all manual instructions carefully before operating. VEVOR reserves a clear interpretation of our user manual. The appearance of the product shall be subject to the product you received. Please forgive us that we won't inform you again if there are any technology or software updates on our product.

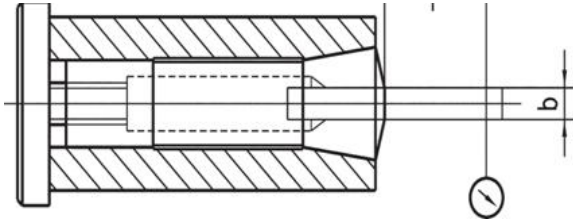
SAFETY NOTICE

WARNING!

1. Before using this product, please read instructions carefully and understand the specifications.
2. Inspect before every use; do not use if damaged.
3. Keep away from children.
4. When using this product, be sure to wear personal protective equipment such as goggles to prevent accidental injury.
5. When using this product, pay attention to keeping the CAT Collet Chuck Set&Spring Collet Set clean to prolong the service life.
6. When using this product, do not put your fingers or other objects into the CAT Collet Chuck Set&Spring Collet Set to avoid injury.
7. Please don't use CAT Collet Chuck Set&Spring Collet Set head instead of a hammer to strike
8. Use the product only after receiving professional metalworking training.
9. Ensure that the workspace remains clean, dry, and well-ventilated during operation.
10. Do not use in flammable, explosive, or damp environments.
11. To reduce the risk of injury when using it, Ensure that the CAT Collet Chuck Set&Spring Collet Set is securely installed and stable to prevent movement or tipping during use.
12. Follow safe operating procedures when using the CAT Collet Chuck Set&Spring Collet Set, avoiding excessive force or incorrect techniques.

SAVE THESE INSTRUCTIONS

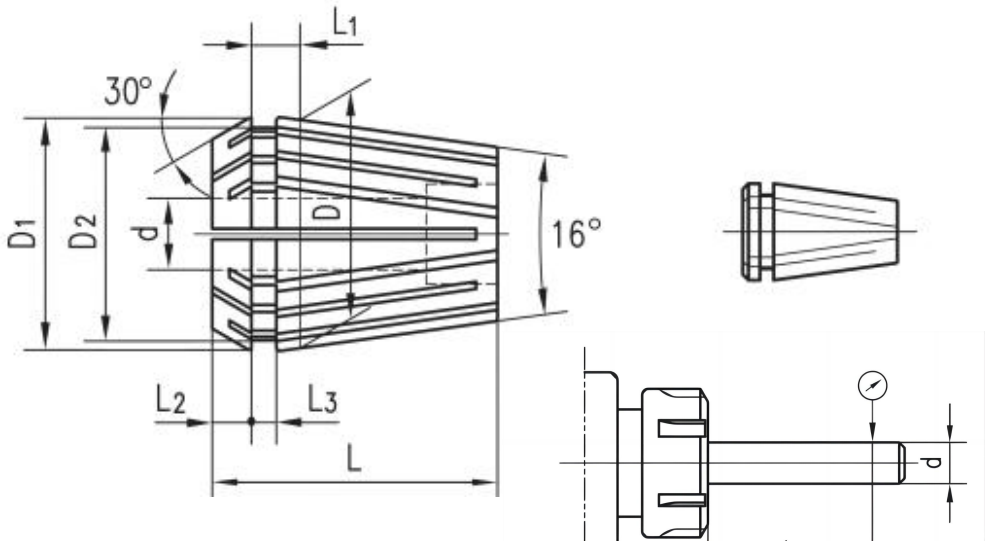




MODEL:R813

Serial Number	Model	QTY
1	R8-1/2"	1
2	R8-1/4"	1
3	R8-1/8"	1
4	R8-11/16"	1
5	R8-13/16"	1
6	R8-3/16"	1
7	R8-3/4"	1

Serial Number	Model	QTY
8	R8-3/8"	1
9	R8-5/16"	1
10	R8-5/8"	1
11	R8-7/16"	1
12	R8-7/8"	1
13	R8-9/16"	1

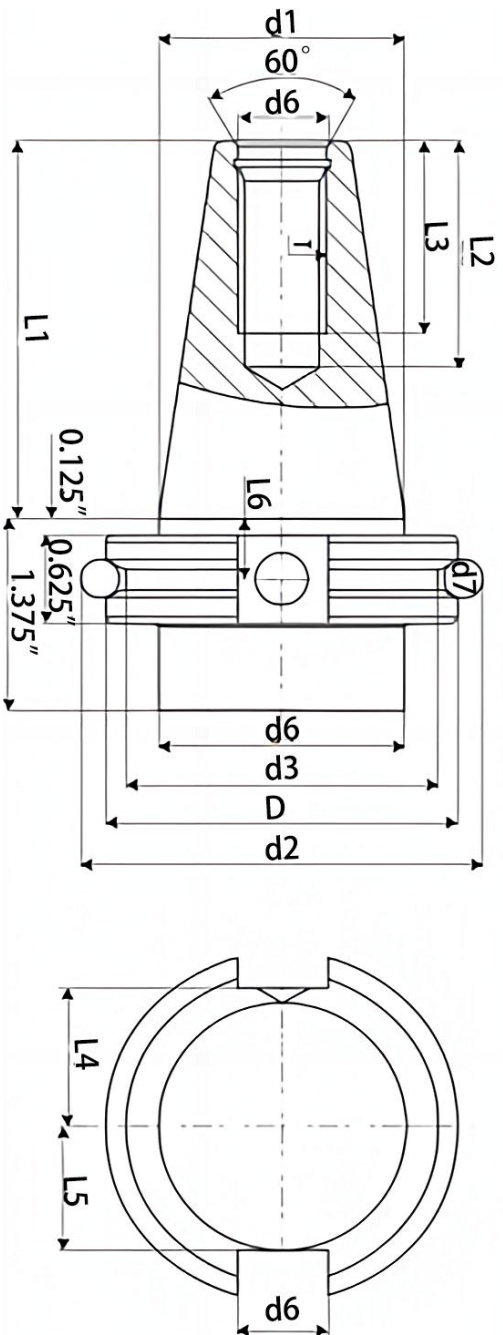


mm

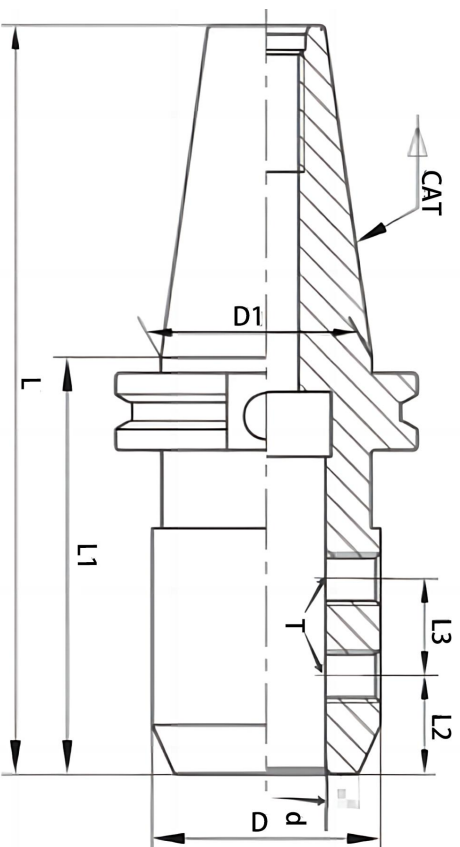
Model	D	D1	D2	L	L1	L2	L3
ER8	8	8.45	6.5	13.5	2.98	1.5	1.2
ER11	11	11.5	9.5	18.0	3.8	2.5	2.0
ER16	16	17	13.8	27.5	6.26	4.0	2.7
	16	17	13.8	27.5	6.26	4.0	2.7
ER20	20	21	17.4	31.5	6.36	4.8	2.8
	20	21	17.4	31.5	6.36	4.8	2.8
ER25	25	26	22.0	34.0	6.66	5.0	3.1
	25	26	22.0	34.0	6.66	5.0	3.1
ER32	32	33	29.2	40.0	7.16	5.5	3.6
	32	33	29.2	40.0	7.16	5.5	3.6
ER40	40	41	36.2	46.0	7.66	7.0	4.1
ER50	50	52	46.0	60.0	12.6	8.5	5.5
	50	52	46.0	60.0	12.6	8.5	5.5

MODEL:ER3225

Serial Number	Model	QTY	Serial Number	Model	QTY
1	ER32-1/16	1	14	ER32-25/32"	1
2	ER32-1/2"	1	15	ER32-3/16"	1
3	ER32-1/4"	1	16	ER32-3/32"	1
4	ER32-1/8"	1	17	ER32-3/4"	1
5	ER32-11/16"	1	18	ER32-3/8"	1
6	ER32-11/32"	1	19	ER32-5/16"	1
7	ER32-13/16"	1	20	ER32-5/32"	1
8	ER32-13/32"	1	21	ER32-5/8"	1
9	ER32-15/32"	1	22	ER32-7/16"	1
10	ER32-17/32"	1	23	ER32-7/32"	1
11	ER32-19/32"	1	24	ER32-9/16"	1
12	ER32-21/32"	1	25	ER32-9/32"	1
13	ER32-23/32"	1			

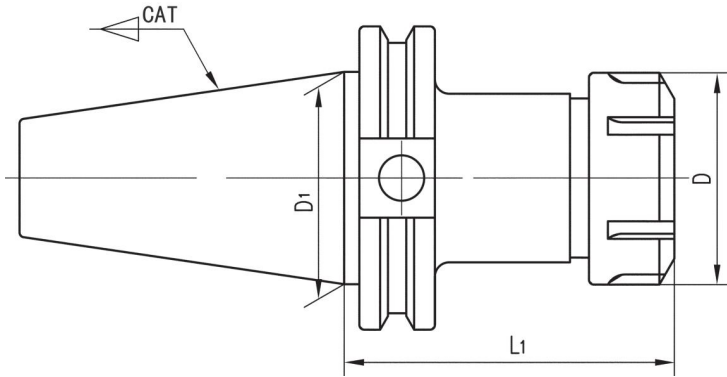


Type	D	d1	d2	d3	d4	d5	d6	d7	L1	L2	L3	L4	L5	L6	T
CAT30	1.812	1.250	2.176	1.531	1.250	0.516	0.645	0.2813	1.875	1.00	0.188	0.735	0.640	0.440	0.500-13
CAT40	2.900	1.750	2.863	2.219	1.750	0.641	0.645	0.2813	2.687	1.12	0.188	0.985	0.890	0.440	0.625-11
CAT45	3.250	2.250	2.969	2.969	2.250	0.766	0.770	0.2813	3.250	1.50	0.188	1.235	1.140	0.440	0.750-10
CAT50	3.875	2.750	3.594	3.594	2.750	1.031	1.020	0.2813	4.000	1.75	0.250	1.485	1.390	0.440	1.000-8



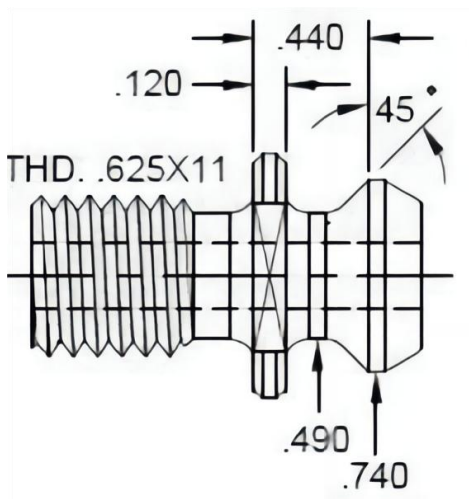
inch/mm

Model	L	L2	L3	d	D	D1	T
CAT40-SLN1/4 "-2-1/2"	131.75	16		6.35	27		M5
CAT40-SLN3/8 "-2-1/2"	131.75	19		9.525	32		M8
CAT40-SLN1/2 "-2-1/2"	131.75	22		12.7	35	44.45	M10
CAT40-SLN5/8 "-3"	144.45	23		15.875	41	44.45	M12
CAT40-SLN3/4 "-3"	144.45	25		19.05	44.5	44.45	M16
CAT40-SLN1 "-4"	169.85	28	25.4	25.4	55	44.45	M16



inch/mm

CAT X ER-L1	D	D1
CT40×ER16-2.76"	28	44.45
CAT40×ER16-4.00"	28	44.45
CAT40×ER16-6.00"	28	44.45
CAT40×ER32-2.76"	50	44.45
CAT40×ER32-4.00"	50	44.45
CAT40×ER32-6.00"	50	44.45



MODEL:CAT4035

Serial Number	Model	QTY
1	CAT40-SLN-5/8" -3	1
2	CAT40-SLN-3/8"-2.5	1
3	CAT40-SLN-3/4"-3	1
4	CAT40-SLN-1/4"-2.5	1
5	CAT40-SLN-1/2"-2.5	1
6	CAT40-SLN-1" -4"	1
7	CAT40-FMB-1"-2.06"	1
8	CAT40-ER32-2.76"	3
9	CAT40-ER16-2.76"	2
10	CAT40-APU-13	1
11	ER32-1/8"	1
12	ER32-3/16"	1
13	ER32-7/32"	1
14	ER32-1/4"	1
15	ER32-5/16"	1
16	ER32-3/8"	1
17	ER32-7/16"	1
18	ER32-1/2"	1

Serial Number	Model	QTY
19	ER32-9/16"	1
20	ER32-5/8"	1
21	ER32-11/16"	1
22	ER32-3/4"	1
23	ER16-1/32"	1
24	ER16-1/16"	1
25	ER16-3/32"	1
26	ER16-1/8"	1
27	ER16-3/16"	1
28	ER16-7/32"	1
29	ER16-1/4"	1
30	ER16-5/16"	1
31	ER16-11/32"	1
32	ER16-3/8"	1
33	CAT40 Pull Pin	10
34	ER32 Wrench	1
35	ER16A Wrench	1
36	APU13 Wrench	1

MODEL:CAT408

Serial Number	Model	QTY
1	CAT40-ER16-70	8

MODEL:CAT405

Serial Number	Model	QTY
1	CAT40-ER32-70	5

MODEL:CAT404

Serial Number	Model	QTY
1	CAT40-ER16-100D	4

MODEL:CAT40APU13

Serial Number	Model	QTY
1	CAT40-APU13-100D	1
2	CAT40 Pull Pin	1
3	APU13 Wrench	1

Address: Baoshanqu Shuangchenglu 803long 11hao 1602A-1609shi
Shanghai

Imported to AUS: SIHAO PTY LTD, 1 ROKEVA STREETEASTWOOD
NSW 2122 Australia

Imported to USA: Sanven Technology Ltd, Suite 250, 9166 Anaheim
Place, Rancho Cucamonga, CA 91730



SHUNSHUN GmbH
Römeräcker 9 Z2021, 76351
Linkenheim-Hochstetten, Germany



Pooledas Group Ltd
Unit 5 Albert Edward House, The
Pavilions Preston, United Kingdom

Made In China

VEVOR[®]

TOUGH TOOLS, HALF PRICE

Technical Support and E-Warranty Certificate

www.vevor.com/support

VEVOR[®]

TOUGH TOOLS, HALF PRICE

Technique Assistance et certificat de garantie électronique

www.vevor.com/support

JEU DE MANDRINS À PINCE CAT ET JEU DE PINCES À RESSORT

**MODÈLE : R813/ER3225/CAT4035/CAT408.
CAT405/CAT404/CAT40APU13**

We continue to be committed to provide you tools with competitive price. "Save Half", "Half Price" or any other similar expressions used by us only represents an estimate of savings you might benefit from buying certain tools with us compared to the major top brands and does not necessarily mean to cover all categories of tools offered by us. You are kindly reminded to verify carefully when you are placing an order with us if you are actually saving half in comparison with the top major brands.

VEVOR[®]

TOUGH TOOLS, HALF PRICE

CAT COLLET CHUCK SET & SPRING COLLET SET



R813



ER3225



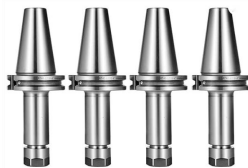
CAT4035



CAT408



CAT405



CAT404



CAT40APU13

NEED HELP? CONTACT US!

Have product questions? Need technical support? Please feel free to contact us:

Technical Support and E-Warranty Certificate
www.vevor.com/support

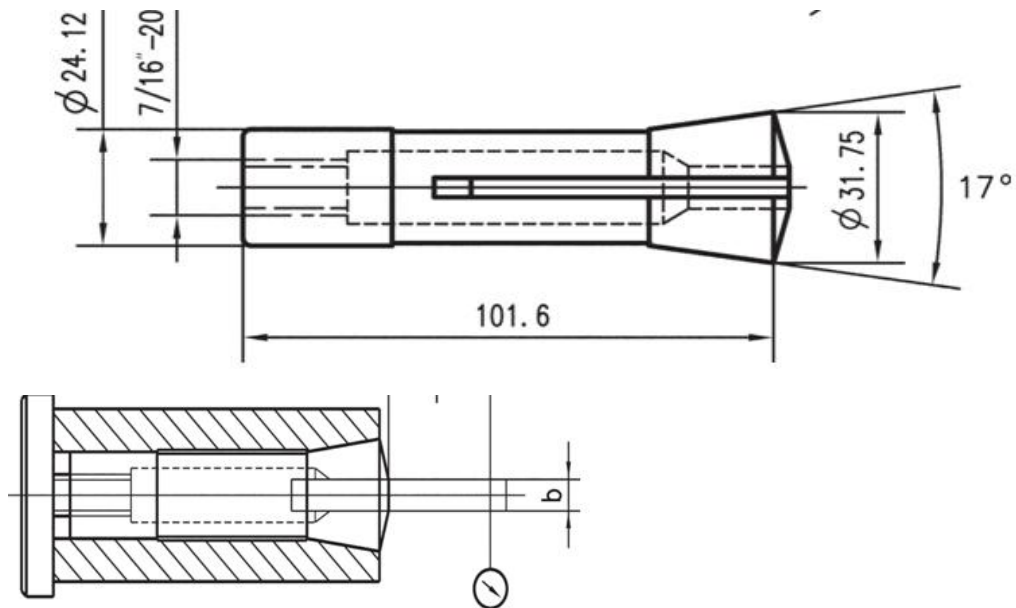
This is the original instruction, please read all manual instructions carefully before operating. VEVOR reserves a clear interpretation of our user manual. The appearance of the product shall be subject to the product you received. Please forgive us that we won't inform you again if there are any technology or software updates on our product.

SAFETY NOTICE

AVERTISSEMENT!

1. Avant d'utiliser ce produit, veuillez lire attentivement les instructions et comprendre les spécifications.
2. Inspectez avant chaque utilisation ; ne pas utiliser s'il est endommagé.
3. Tenir hors de portée des enfants.
4. Lorsque vous utilisez ce produit, veillez à porter un équipement de protection individuelle tel que des lunettes pour éviter les blessures accidentelles.
5. Lorsque vous utilisez ce produit, veillez à garder le jeu de mandrins à pince CAT et le jeu de pinces à ressort propres pour prolonger la durée de vie.
6. Lorsque vous utilisez ce produit, ne mettez pas vos doigts ou d'autres objets dans le jeu de mandrins à pince CAT et le jeu de pinces à ressort pour éviter les blessures.
7. Veuillez ne pas utiliser le jeu de mandrins à pince CAT et la tête du jeu de pinces à ressort au lieu d'un marteau pour frapper.
8. Utilisez le produit uniquement après avoir reçu une formation professionnelle en travail des métaux.
9. Assurez-vous que l'espace de travail reste propre, sec et bien ventilé pendant le fonctionnement.
10. Ne pas utiliser dans des environnements inflammables, explosifs ou humides.
11. Pour réduire le risque de blessure lors de son utilisation, assurez-vous que l'ensemble de mandrins à pince CAT et l'ensemble de pinces à ressort sont solidement installés et stables pour empêcher tout mouvement ou basculement pendant l'utilisation.
12. Suivez les procédures de fonctionnement sûres lorsque vous utilisez le jeu de mandrins à pince CAT et le jeu de pinces à ressort, en évitant une force excessive ou des techniques incorrectes.

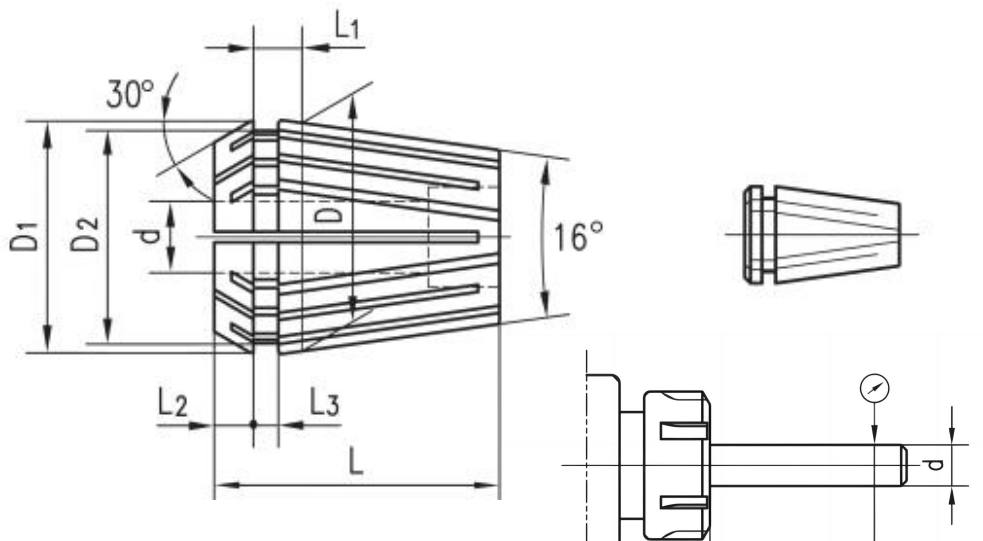
CONSERVEZ CES INSTRUCTIONS



MODÈLE: R813

Numéro de série	Modèle	QTÉ
1	R8-1/2"	1
2	R8-1/4"	1
3	R8-1/8"	1
4	R8-11/16"	1
5	R8-13/16"	1
6	R8-3/16"	1
7	R8-3/4"	1

Numéro de série	Modèle	QTÉ
8	R8-3/8"	1
9	R8-5/16"	1
dix	R8-5/8"	1
11	R8-7/16"	1
12	R8-7/8"	1
13	R8-9/16"	1



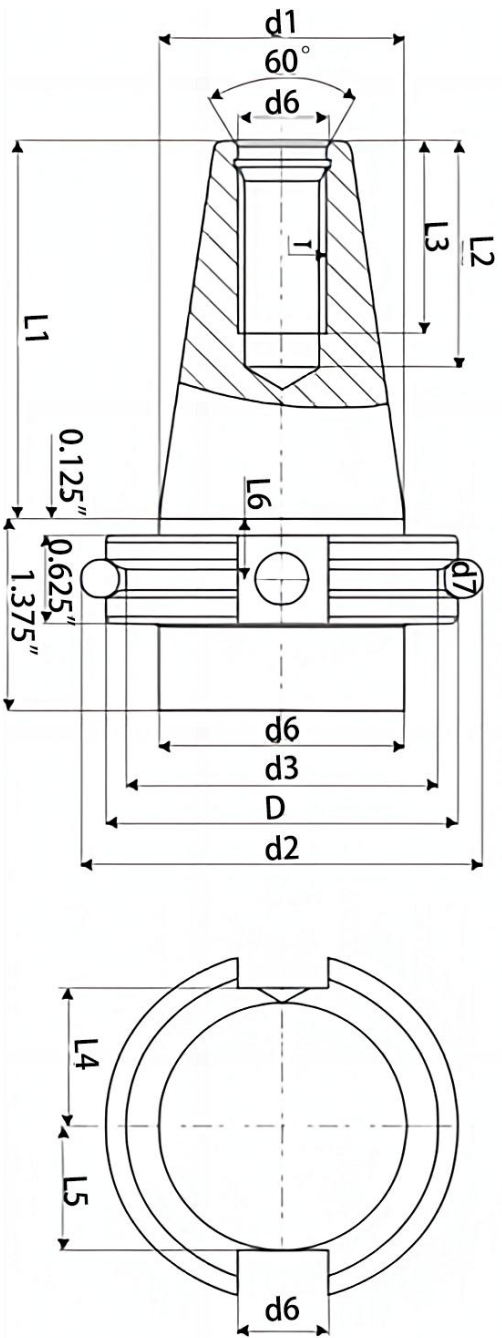
mm							
Model	D	D1	D2	L	L1	L2	L3
ER8	8	8.45	6.5	13.5	2.98	1.5	1.2
ER11	11	11.5	9.5	18.0	3.8	2.5	2.0
ER16	16	17	13.8	27.5	6.26	4.0	2.7
	16	17	13.8	27.5	6.26	4.0	2.7
ER20	20	21	17.4	31.5	6.36	4.8	2.8
	20	21	17.4	31.5	6.36	4.8	2.8
ER25	25	26	22.0	34.0	6.66	5.0	3.1
	25	26	22.0	34.0	6.66	5.0	3.1
ER32	32	33	29.2	40.0	7.16	5.5	3.6
	32	33	29.2	40.0	7.16	5.5	3.6
ER40	40	41	36.2	46.0	7.66	7.0	4.1
ER50	50	52	46.0	60.0	12.6	8.5	5.5
	50	52	46.0	60.0	12.6	8.5	5.5

MODÈLE : ER3225.

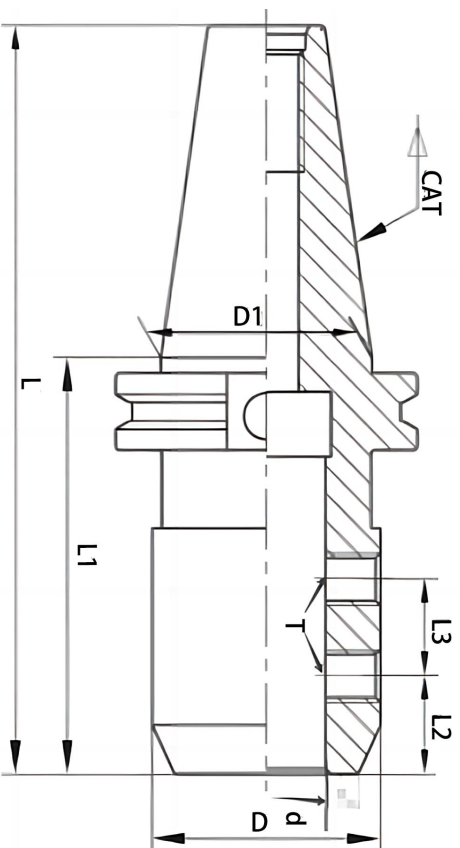
Numéro de série	Modèle	QTÉ	Numéro de série	Modèle	QTÉ
-----------------	--------	-----	-----------------	--------	-----

1	ER32-1/16	1
2	ER32-1/2"	1
3	ER32-1/4"	1
4	ER32-1/8"	1
5	ER32-11/16"	1
6	ER32-11/32"	1
7	ER32-13/16"	1
8	ER32-13/32"	1
9	ER32-15/32"	1
dix	ER32-17/32"	1
11	ER32-19/32"	1
12	ER32-21/32"	1
13	ER32-23/32"	1

14	ER32-25/32"	1
15	ER32-3/16"	1
16	ER32-3/32"	1
17	ER32-3/4"	1
18	ER32-3/8"	1
19	ER32-5/16"	1
20	ER32-5/32"	1
21	ER32-5/8"	1
22	ER32-7/16"	1
23	ER32-7/32"	1
24	ER32-9/16"	1
25	ER32-9/32"	1

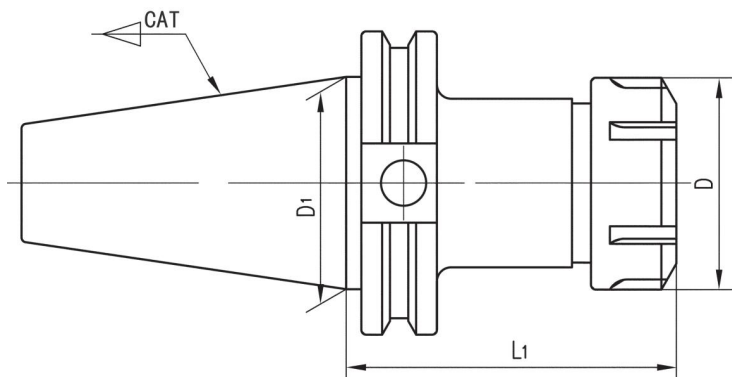


Type	D	d_1	d_2	d_3	d_4	d_5	d_6	d_7	L_1	L_2	L_3	L_4	L_5	L_6	T
CAT30	1.812	1.250	2.176	1.531	1.250	0.516	0.645	0.2813	1.875	1.00	0.188	0.735	0.640	0.440	0.500-13
CAT40	2.900	1.750	2.863	2.219	1.750	0.641	0.645	0.2813	2.687	1.12	0.188	0.985	0.890	0.440	0.625-11
CAT45	3.250	2.250	2.969	2.969	2.250	0.766	0.770	0.2813	3.250	1.50	0.188	1.235	1.140	0.440	0.750-10
CAT50	3.875	2.750	3.594	3.594	2.750	1.031	1.020	0.2813	4.000	1.75	0.250	1.485	1.390	0.440	1.000-8



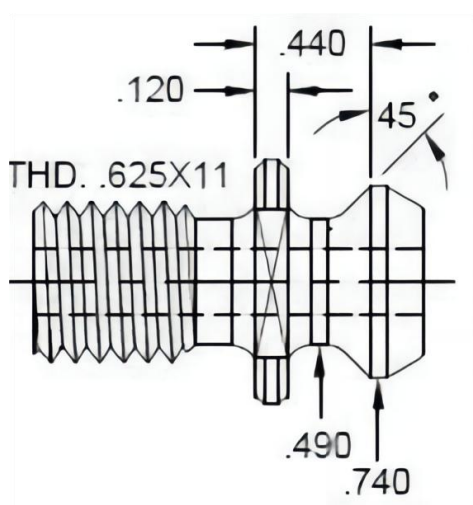
inch/mm

Model	L	L2	L3	d	D	D1	T
CAT40-SLN1/4 "-2-1/2"	131.75	16		6.35	27		M5
CAT40-SLN3/8 "-2-1/2"	131.75	19		9.525	32		M8
CAT40-SLN1/2 "-2-1/2"	131.75	22		12.7	35	44.45	M10
CAT40-SLN5/8 "-3"	144.45	23		15.875	41		M12
CAT40-SLN3/4 "-3"	144.45	25		19.05	44.5		M16
CAT40-SLN1 "-4"	169.85	28	25.4	25.4	55		M16



inch/mm

CAT X ER-L1	D	D1
CT40×ER16-2.76"	28	44.45
CAT40×ER16-4.00"	28	44.45
CAT40×ER16-6.00"	28	44.45
CAT40×ER32-2.76"	50	44.45
CAT40×ER32-4.00"	50	44.45
CAT40×ER32-6.00"	50	44.45



MODÈLE : CAT4035.

Numéro de série	Modèle	QTÉ
1	CAT40-SLN-5/8"-3	1
2	CAT40-SLN-3/8"-2.5	1
3	CAT40-SLN-3/4"-3	1
4	CAT40-SLN-1/4"-2.5	1
5	CAT40-SLN-1/2"-2.5	1
6	CAT40-SLN-1"-4"	1
7	CAT40-FMB-1"-2,06"	1
8	CAT40-ER32-2,76"	3
9	CAT40-ER16-2,76"	2
dix	CAT40-APU-13	1
11	ER32-1/8"	1
12	ER32-3/16"	1
13	ER32-7/32"	1
14	ER32-1/4"	1
15	ER32-5/16"	1
16	ER32-3/8"	1
17	ER32-7/16"	1
18	ER32-1/2"	1

Numéro de série	Modèle	QTÉ
19	ER32-9/16"	1
20	ER32-5/8"	1
21	ER32-11/16"	1
22	ER32-3/4"	1
23	ER16-1/32"	1
24	ER16-1/16"	1
25	ER16-3/32"	1
26	ER16-1/8"	1
27	ER16-3/16"	1
28	ER16-7/32"	1
29	ER16-1/4"	1
30	ER16-5/16"	1
31	ER16-11/32"	1
32	ER16-3/8"	1
33	Goupille de traction CAT40	dix
34	Clé ER32	1
35	Clé ER16A	1
36	Clé APU13	1

MODÈLE: CAT408

Numéro de série	Modèle	QTÉ
1	CAT40-ER16-70	8

MODÈLE: CAT405

Numéro de série	Modèle	QTÉ
1	CAT40-ER32-70	5

MODÈLE: CAT404

Numéro de série	Modèle	QTÉ
1	CAT40-ER16-100D	4

MODÈLE : CAT40APU13.

Numéro de série	Modèle	QTÉ
1	CAT40-APU13-100D	1
2	Goupille de traction CAT40	1
3	Clé APU13	1

Adresse : Baoshanqu Shuangchenglu 803long 11hao 1602A-1609shi
Shanghai

Importé en Australie : SIHAO PTY LTD, 1 ROKEVA STREETASTWOOD
NSW 2122 Australie

Importé aux États-Unis : Sanven Technology Ltd, Suite 250, 9166
Anaheim Place, Rancho Cucamonga, CA 91730



SHUNSHUN GmbH
Römeräcker 9 Z2021, 76351
Linkenheim-Hochstetten, Germany



Pooledas Group Ltd
Unit 5 Albert Edward House, The
Pavilions Preston, United Kingdom

Fabriqué en Chine

VEVOR[®]

TOUGH TOOLS, HALF PRICE

Technique Assistance et certificat de garantie électronique

www.vevor.com/support

VEVOR[®]

TOUGH TOOLS, HALF PRICE

Technisch Support- und E-Garantiezertifikat

www.vevor.com/support

CAT-SPANNZANGENFUTTERSATZ

& FEDERSPANNZANGENSATZ

MODELL: R813/ER3225/CAT4035/CAT408

CAT405/CAT404/CAT40APU13

We continue to be committed to provide you tools with competitive price.

"Save Half", "Half Price" or any other similar expressions used by us only represents an estimate of savings you might benefit from buying certain tools with us compared to the major top brands and does not necessarily mean to cover all categories of tools offered by us. You are kindly reminded to verify carefully when you are placing an order with us if you are actually saving half in comparison with the top major brands.

VEVOR[®]

TOUGH TOOLS, HALF PRICE

CAT COLLET CHUCK SET & SPRING COLLET SET



R813



ER3225



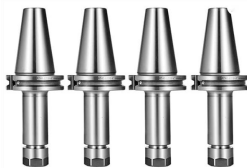
CAT4035



CAT408



CAT405



CAT404



CAT40APU13

NEED HELP? CONTACT US!

Have product questions? Need technical support? Please feel free to contact us:

Technical Support and E-Warranty Certificate
www.vevor.com/support

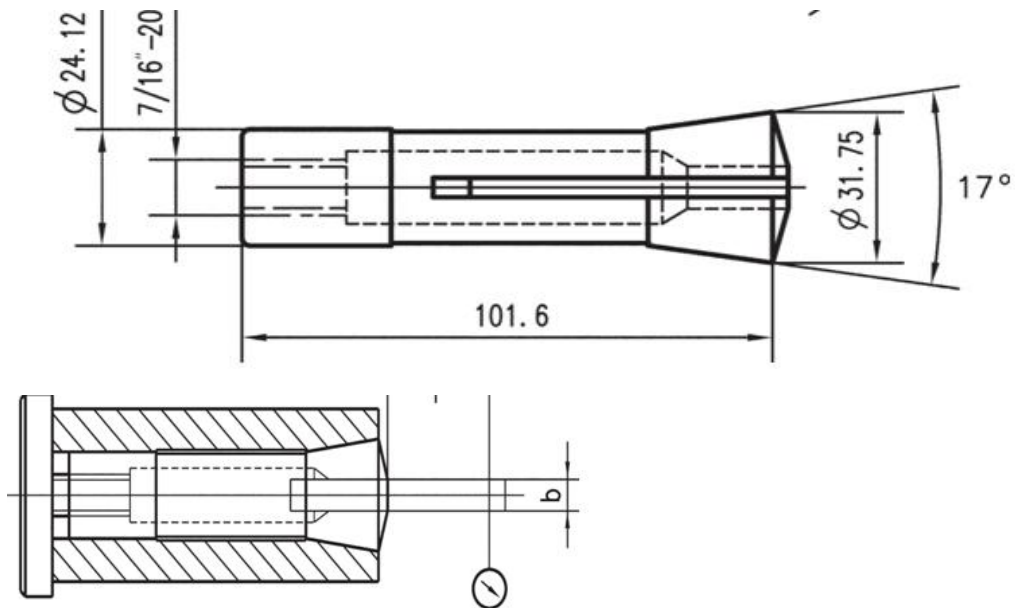
This is the original instruction, please read all manual instructions carefully before operating. VEVOR reserves a clear interpretation of our user manual. The appearance of the product shall be subject to the product you received. Please forgive us that we won't inform you again if there are any technology or software updates on our product.

SAFETY NOTICE

WARNUNG!

1. Bevor Sie dieses Produkt verwenden, lesen Sie bitte die Anweisungen sorgfältig durch und machen Sie sich mit den Spezifikationen vertraut.
2. Vor jedem Gebrauch prüfen; Bei Beschädigung nicht verwenden.
3. Von Kindern fernhalten.
4. Tragen Sie bei der Verwendung dieses Produkts unbedingt persönliche Schutzausrüstung wie eine Schutzbrille, um versehentliche Verletzungen zu vermeiden.
5. Achten Sie bei der Verwendung dieses Produkts darauf, den CAT-Spannzangensatz und den Federspannzangensatz sauber zu halten, um die Lebensdauer zu verlängern .
6. Wenn Sie dieses Produkt verwenden, stecken Sie Ihre Finger oder andere Gegenstände nicht in das CAT-Spannzangenfutter-Set und das Federspannzangen-Set, um Verletzungen zu vermeiden.
7. Bitte verwenden Sie zum Schlagen nicht das CAT-Spannzangenfutterset und den Federspannzangenkopf anstelle eines Hammers
8. Benutzen Sie das Produkt nur nach einer professionellen Metallbearbeitungsschulung.
9. Stellen Sie sicher, dass der Arbeitsbereich während des Betriebs sauber, trocken und gut belüftet bleibt.
10. Nicht in brennbaren, explosiven oder feuchten Umgebungen verwenden.
11. Um das Verletzungsrisiko bei der Verwendung zu verringern, stellen Sie sicher, dass das CAT-Spannzangenfutter-Set und das Federspannzangen-Set sicher installiert und stabil sind, um Bewegungen oder Umkippen während der Verwendung zu verhindern.
12. Befolgen Sie bei der Verwendung des CAT-Spannzangenfuttersatzes und des Federspannzangensatzes sichere Betriebsverfahren und vermeiden Sie übermäßigen Kraftaufwand oder falsche Techniken.

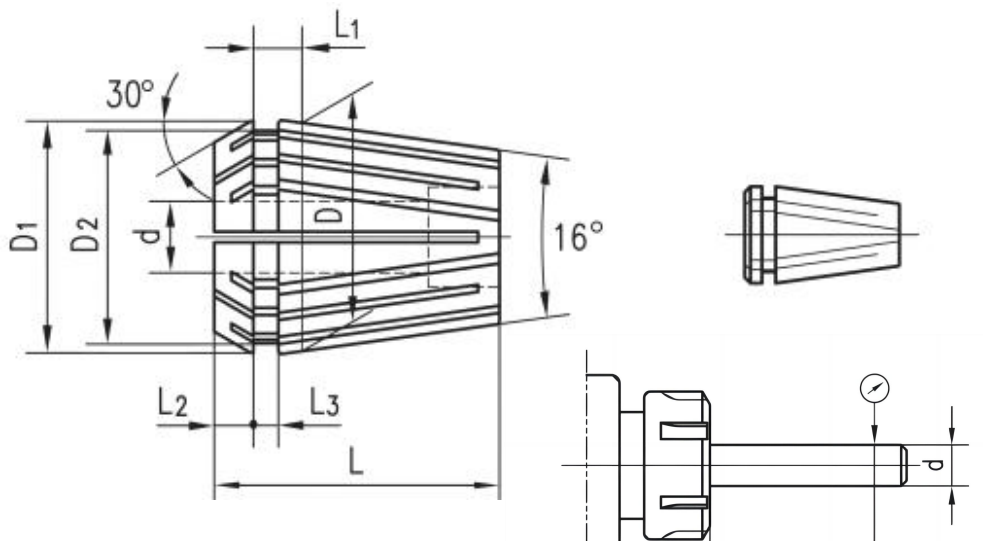
ANLEITUNG AUFBEWAHREN



MODELL: R813

Seriennummer	Modell	MENGE
1	R8-1/2"	1
2	R8-1/4"	1
3	R8-1/8"	1
4	R8-11/16"	1
5	R8-13/16"	1
6	R8-3/16"	1
7	R8-3/4"	1

Seriennummer	Modell	MENGE
8	R8-3/8"	1
9	R8-5/16"	1
10	R8-5/8"	1
11	R8-7/16"	1
12	R8-7/8"	1
13	R8-9/16"	1



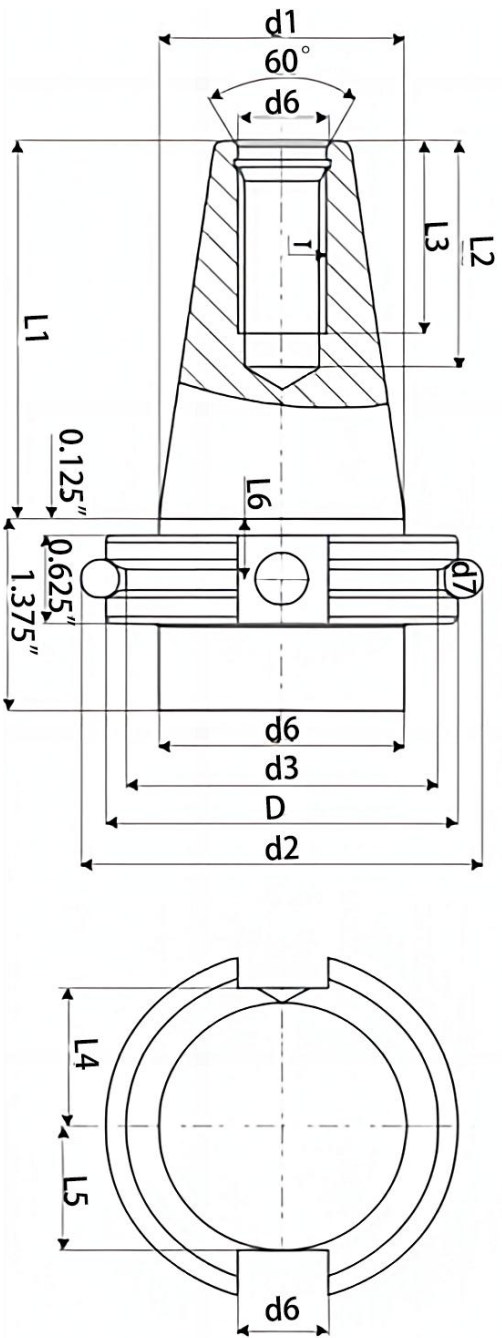
mm							
Model	D	D1	D2	L	L1	L2	L3
ER8	8	8.45	6.5	13.5	2.98	1.5	1.2
ER11	11	11.5	9.5	18.0	3.8	2.5	2.0
ER16	16	17	13.8	27.5	6.26	4.0	2.7
	16	17	13.8	27.5	6.26	4.0	2.7
ER20	20	21	17.4	31.5	6.36	4.8	2.8
	20	21	17.4	31.5	6.36	4.8	2.8
ER25	25	26	22.0	34.0	6.66	5.0	3.1
	25	26	22.0	34.0	6.66	5.0	3.1
ER32	32	33	29.2	40.0	7.16	5.5	3.6
	32	33	29.2	40.0	7.16	5.5	3.6
ER40	40	41	36.2	46.0	7.66	7.0	4.1
ER50	50	52	46.0	60.0	12.6	8.5	5.5
	50	52	46.0	60.0	12.6	8.5	5.5

MODELL: ER3225

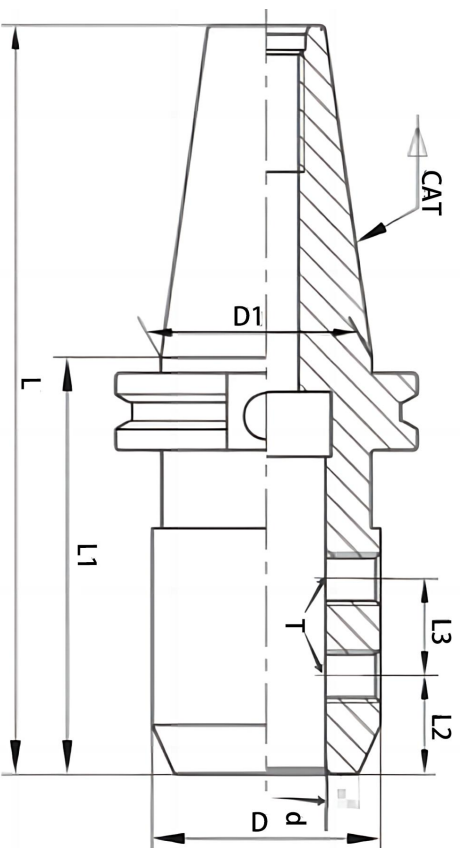
Seriennummer	Modell	MENGE	Seriennummer	Modell	MENGE
--------------	--------	-------	--------------	--------	-------

1	ER32-1/16	1
2	ER32-1/2"	1
3	ER32-1/4"	1
4	ER32-1/8 Zoll	1
5	ER32-11/16"	1
6	ER32-11/32 Zoll	1
7	ER32-13/16 Zoll	1
8	ER32-13/32 Zoll	1
9	ER32-15/32 Zoll	1
10	ER32-17/32 Zoll	1
11	ER32-19/32 Zoll	1
12	ER32-21/32 Zoll	1
13	ER32-23/32 Zoll	1

14	ER32-25/32 Zoll	1
15	ER32-3/16"	1
16	ER32-3/32 Zoll	1
17	ER32-3/4"	1
18	ER32-3/8"	1
19	ER32-5/16"	1
20	ER32-5/32 Zoll	1
21	ER32-5/8"	1
22	ER32-7/16 Zoll	1
23	ER32-7/32 Zoll	1
24	ER32-9/16 Zoll	1
25	ER32-9/32 Zoll	1

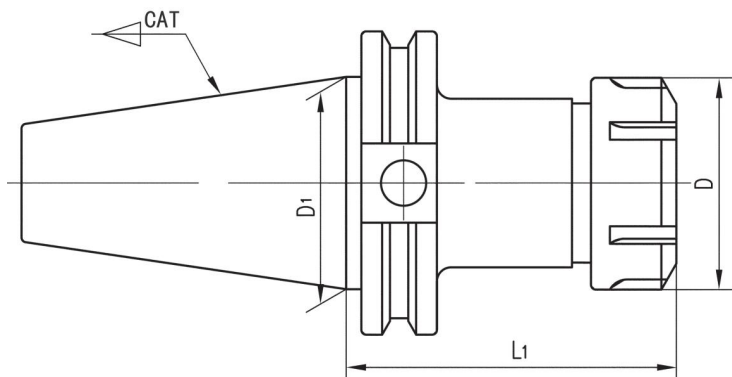


Type	D	d1	d2	d3	d4	d5	d6	d7	L1	L2	L3	L4	L5	L6	T
CAT30	1.812	1.250	2.176	1.531	1.250	0.516	0.645	0.2813	1.875	1.00	0.188	0.735	0.640	0.440	0.500-13
CAT40	2.900	1.750	2.863	2.219	1.750	0.641	0.645	0.2813	2.687	1.12	0.188	0.985	0.890	0.440	0.625-11
CAT45	3.250	2.250	2.969	2.969	2.250	0.766	0.770	0.2813	3.250	1.50	0.188	1.235	1.140	0.440	0.750-10
CAT50	3.875	2.750	3.594	3.594	2.750	1.031	1.020	0.2813	4.000	1.75	0.250	1.485	1.390	0.440	1.000-8



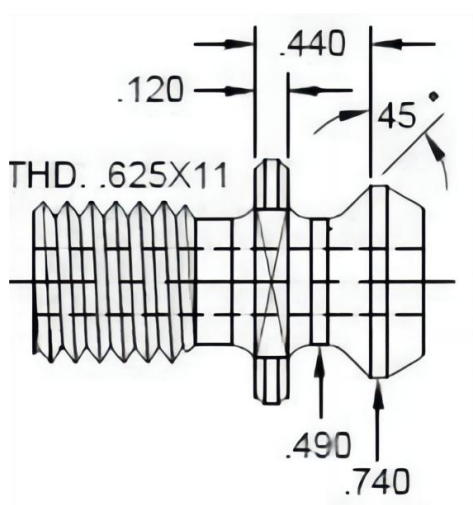
inch/mm

Model	-L1	L	L2	L3	d	D	D1	T
CAT40-SLN1/4	-2-1/2"	131.75	16		6.35	27		M5
CAT40-SLN3/8	-2-1/2"	131.75	19		9.525	32		M8
CAT40-SLN1/2	-2-1/2"	131.75	22		12.7	35	44.45	M10
CAT40-SLN5/8	"-3"	144.45	23		15.875	41		M12
CAT40-SLN3/4	"-3"	144.45	25		19.05	44.5		M16
CAT40-SLN1	"-4"	169.85	28	25.4	25.4	55		M16



inch/mm

CAT X ER-L1	D	D1
CT40×ER16-2.76"	28	44.45
CAT40×ER16-4.00"	28	44.45
CAT40×ER16-6.00"	28	44.45
CAT40×ER32-2.76"	50	44.45
CAT40×ER32-4.00"	50	44.45
CAT40×ER32-6.00"	50	44.45



MODELL:CAT4035

Seriennummer	Modell	MENGE
1	CAT40-SLN-5/8" -3	1
2	CAT40-SLN-3/8"-2,5	1
3	CAT40-SLN-3/4"-3	1
4	CAT40-SLN-1/4"-2,5	1
5	CAT40-SLN-1/2"-2,5	1
6	CAT40-SLN-1" -4"	1
7	CAT40-FMB-1"-2,06"	1
8	CAT40-ER32-2,76"	3
9	CAT40-ER16-2,76 Zoll	2
10	CAT40-APU-13	1
11	ER32-1/8 Zoll	1
12	ER32-3/16"	1
13	ER32-7/32 Zoll	1
14	ER32-1/4"	1
15	ER32-5/16 Zoll	1
16	ER32-3/8"	1
17	ER32-7/16 Zoll	1

Seriennummer	Modell	MENGE
19	ER32-9/16 Zoll	1
20	ER32-5/8"	1
21	ER32-11/16"	1
22	ER32-3/4"	1
23	ER16-1/32 Zoll	1
24	ER16-1/16 Zoll	1
25	ER16-3/32 Zoll	1
26	ER16-1/8 Zoll	1
27	ER16-3/16 Zoll	1
28	ER16-7/32 Zoll	1
29	ER16-1/4"	1
30	ER16-5/16 Zoll	1
31	ER16-11/32 Zoll	1
32	ER16-3/8"	1
33	CAT40 Zugstift	10
34	ER32 Schraubenschlüssel	1
35	ER16A Schraubenschlüssel	1

18	ER32-1/2"	1
----	-----------	---

36	APU13 Schraubenschlüssel	1
----	-----------------------------	---

MODELL: CAT408

Seriennummer	Modell	MENGE
1	CAT40-ER16-70	8

MODELL: CAT405

Seriennummer	Modell	MENGE
1	CAT40-ER32-70	5

MODELL: CAT404

Seriennummer	Modell	MENGE
1	CAT40-ER16-100D	4

MODELL:CAT40APU13

Seriennummer	Modell	MENGE
1	CAT40-APU13-100D	1
2	CAT40 Zugstift	1
3	APU13 Schraubenschlüssel	1

Adresse: Baoshanqu Shuangchenglu 803long 11hao 1602A-1609shi
Shanghai

Importiert nach AUS: SIHAO PTY LTD, 1 ROKEVA STREETEASTWOOD
NSW 2122 Australien

In die USA importiert: Sanven Technology Ltd, Suite 250, 9166 Anaheim
Place, Rancho Cucamonga, CA 91730

EC	REP
-----------	------------

SHUNSHUN GmbH
Römeräcker 9 Z2021, 76351
Linkenheim-Hochstetten, Germany

UK	REP
-----------	------------

Pooledas Group Ltd
Unit 5 Albert Edward House, The
Pavilions Preston, United Kingdom

In China hergestellt

VEVOR[®]

TOUGH TOOLS, HALF PRICE

Technisch Support- und E-Garantiezertifikat

www.vevor.com/support

VEVOR®

TOUGH TOOLS, HALF PRICE

Tecnico Supporto e certificato di garanzia elettronica

www.vevor.com/support

SET PORTAPINZE CAT

E SET DI PINZE A MOLLA

**MODELLO: R813/ER3225/CAT4035/CAT408
CAT405/CAT404/CAT40APU13**

We continue to be committed to provide you tools with competitive price.

"Save Half", "Half Price" or any other similar expressions used by us only represents an estimate of savings you might benefit from buying certain tools with us compared to the major top brands and does not necessarily mean to cover all categories of tools offered by us. You are kindly reminded to verify carefully when you are placing an order with us if you are actually saving half in comparison with the top major brands.

VEVOR[®]

TOUGH TOOLS, HALF PRICE

CAT COLLET CHUCK SET & SPRING COLLET SET



R813



ER3225



CAT4035



CAT408



CAT405



CAT404



CAT40APU13

NEED HELP? CONTACT US!

Have product questions? Need technical support? Please feel free to contact us:

Technical Support and E-Warranty Certificate
www.vevor.com/support

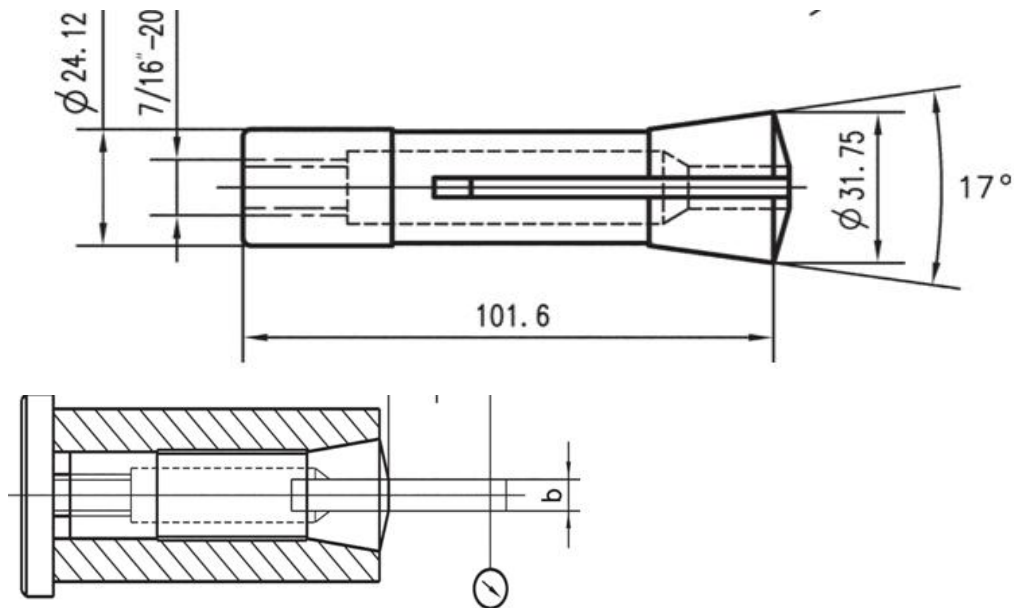
This is the original instruction, please read all manual instructions carefully before operating. VEVOR reserves a clear interpretation of our user manual. The appearance of the product shall be subject to the product you received. Please forgive us that we won't inform you again if there are any technology or software updates on our product.

SAFETY NOTICE

AVVERTIMENTO!

1. Prima di utilizzare questo prodotto, leggere attentamente le istruzioni e comprendere le specifiche.
2. Ispezionare prima di ogni utilizzo; non utilizzare se danneggiato.
3. Tenere lontano dalla portata dei bambini.
4. Quando si utilizza questo prodotto, assicurarsi di indossare dispositivi di protezione personale come occhiali protettivi per evitare lesioni accidentali.
5. Quando si utilizza questo prodotto, prestare attenzione a mantenere pulito il set di pinze a molla CAT e il set di pinze a molla per prolungarne la durata.
6. Quando si utilizza questo prodotto, non inserire le dita o altri oggetti nel set di pinze di serraggio CAT e nel set di pinze a molla per evitare lesioni.
7. Si prega di non utilizzare la testa del set di pinze a molla CAT e del set di pinze a molla invece di un martello per colpire
8. Utilizzare il prodotto solo dopo aver ricevuto una formazione professionale sulla lavorazione dei metalli.
9. Assicurarsi che l'area di lavoro rimanga pulita, asciutta e ben ventilata durante il funzionamento.
10. Non utilizzare in ambienti infiammabili, esplosivi o umidi.
11. Per ridurre il rischio di lesioni durante l'utilizzo, assicurarsi che il set di pinze di serraggio CAT e il set di pinze a molla siano installati saldamente e stabili per evitare movimenti o ribaltamenti durante l'uso.
12. Seguire le procedure operative sicure quando si utilizza il set di pinze portapinze CAT e il set di pinze elastiche, evitando forza eccessiva o tecniche errate.

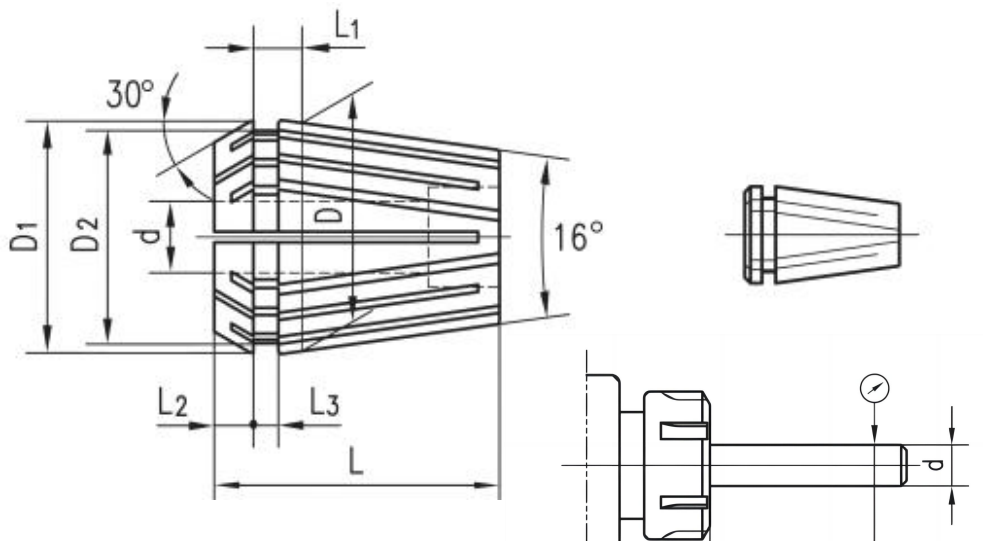
CONSERVA QUESTE ISTRUZIONI



MODELLO:R813

Numero di serie	Modello	QUANTITÀ
1	R8-1/2"	1
2	R8-1/4"	1
3	R8-1/8"	1
4	R8-11/16"	1
5	R8-13/16"	1
6	R8-3/16"	1
7	R8-3/4"	1

Numero di serie	Modello	QUANTITÀ
8	R8-3/8"	1
9	R8-5/16"	1
10	R8-5/8"	1
11	R8-7/16"	1
12	R8-7/8"	1
13	R8-9/16"	1



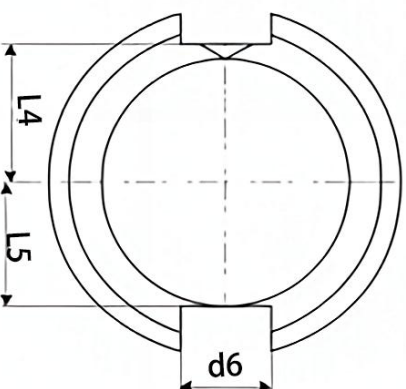
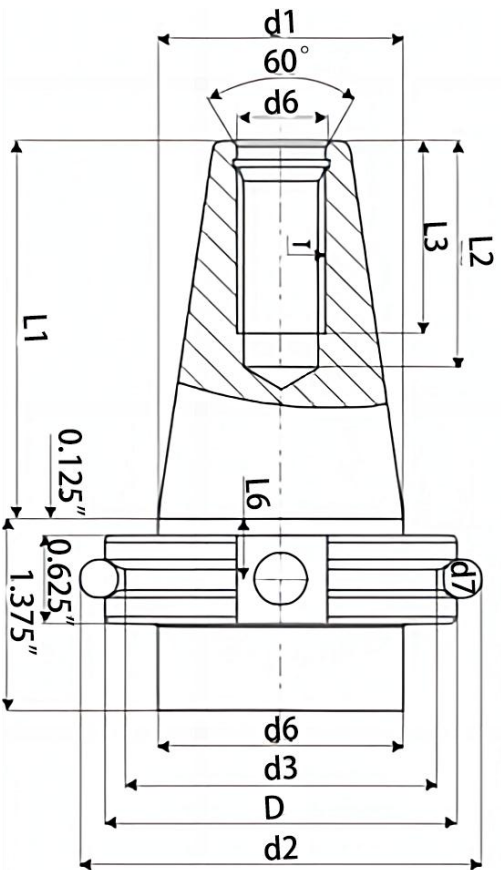
mm							
Model	D	D1	D2	L	L1	L2	L3
ER8	8	8.45	6.5	13.5	2.98	1.5	1.2
ER11	11	11.5	9.5	18.0	3.8	2.5	2.0
ER16	16	17	13.8	27.5	6.26	4.0	2.7
	16	17	13.8	27.5	6.26	4.0	2.7
ER20	20	21	17.4	31.5	6.36	4.8	2.8
	20	21	17.4	31.5	6.36	4.8	2.8
ER25	25	26	22.0	34.0	6.66	5.0	3.1
	25	26	22.0	34.0	6.66	5.0	3.1
ER32	32	33	29.2	40.0	7.16	5.5	3.6
	32	33	29.2	40.0	7.16	5.5	3.6
ER40	40	41	36.2	46.0	7.66	7.0	4.1
ER50	50	52	46.0	60.0	12.6	8.5	5.5
	50	52	46.0	60.0	12.6	8.5	5.5

MODELLO: ER3225

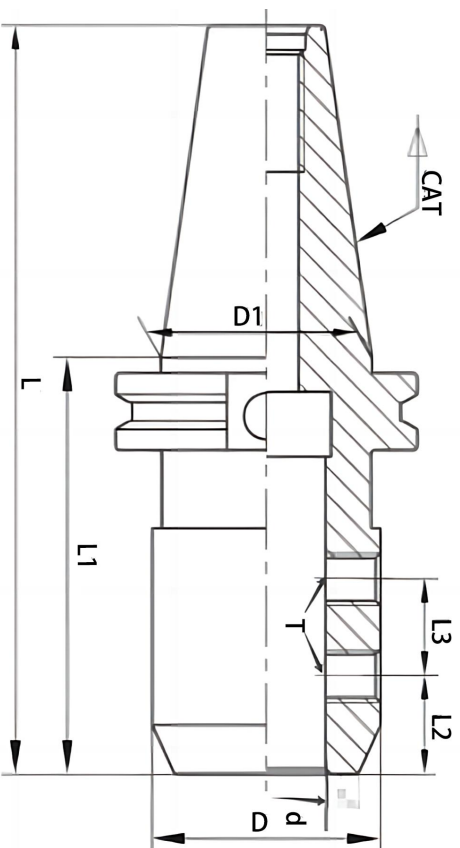
Numero di serie	Modello	QUANTITÀ	Numero di serie	Modello	QUANTITÀ
		À			À

1	ER32-1/16	1
2	ER32-1/2"	1
3	ER32-1/4"	1
4	ER32-1/8"	1
5	ER32-11/16"	1
6	ER32-11/32"	1
7	ER32-13/16"	1
8	ER32-13/32"	1
9	ER32-15/32"	1
10	ER32-17/32"	1
11	ER32-19/32"	1
12	ER32-21/32"	1
13	ER32-23/32"	1

14	ER32-25/32"	1
15	ER32-3/16"	1
16	ER32-3/32"	1
17	ER32-3/4"	1
18	ER32-3/8"	1
19	ER32-5/16"	1
20	ER32-5/32"	1
21	ER32-5/8"	1
22	ER32-7/16"	1
23	ER32-7/32"	1
24	ER32-9/16"	1
25	ER32-9/32"	1

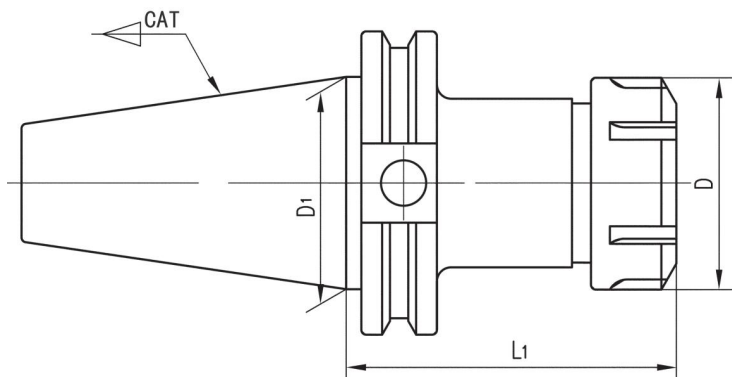


Type	D ±0.002	d1	d2 ±0.002	d3 ±0.01	d4 ±0.005	d5 ±0.0150	d6 ±0.001	d7	L1 ±0.005	L2 Min	L3 ±0.01	L4 +0 -0.015	L5 +0 -0.015	L6 ±0.01	T Unc 2B
CAT30	1.812	1.250	2.176	1.531	1.250	0.516	0.645	0.2813	1.875	1.00	0.188	0.735	0.640	0.440	0.500-13
CAT40	2.900	1.750	2.863	2.219	1.750	0.641	0.645	0.2813	2.687	1.12	0.188	0.985	0.890	0.440	0.625-11
CAT45	3.250	2.250	2.969	2.969	2.250	0.766	0.770	0.2813	3.250	1.50	0.188	1.235	1.140	0.440	0.750-10
CAT50	3.875	2.750	3.594	3.594	2.750	1.031	1.020	0.2813	4.000	1.75	0.250	1.485	1.390	0.440	1.000-8



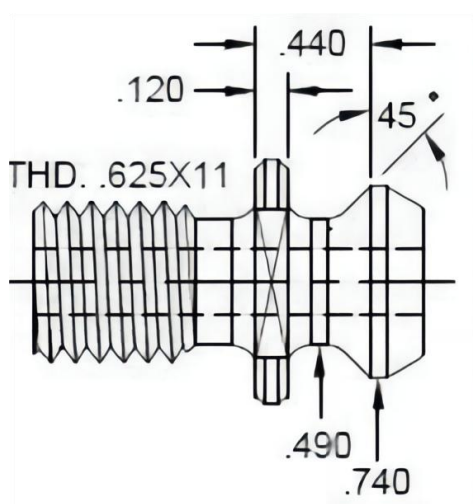
inch/mm

Model	L	L2	L3	d	D	D1	T
Model -L1							
CAT40-SLN1/4 "-2-1/2"	131.75	16		6.35	27		M5
CAT40-SLN3/8 "-2-1/2"	131.75	19		9.525	32		M8
CAT40-SLN1/2 "-2-1/2"	131.75	22		12.7	35	44.45	M10
CAT40-SLN5/8 "-3"	144.45	23		15.875	41		M12
CAT40-SLN3/4 "-3"	144.45	25		19.05	44.5		M16
CAT40-SLN1 "-4"	169.85	28	25.4	25.4	55		M16



inch/mm

CAT X ER-L1	D	D1
CT40×ER16-2.76"	28	44.45
CAT40×ER16-4.00"	28	44.45
CAT40×ER16-6.00"	28	44.45
CAT40×ER32-2.76"	50	44.45
CAT40×ER32-4.00"	50	44.45
CAT40×ER32-6.00"	50	44.45



MODELLO: CAT4035

Numero di serie	Modello	QUANTITÀ
1	CAT40-SLN-5/8"-3	1
2	CAT40-SLN-3/8"-2.5	1
3	CAT40-SLN-3/4"-3	1
4	CAT40-SLN-1/4"-2.5	1
5	CAT40-SLN-1/2"-2.5	1
6	CAT40-SLN-1" -4"	1
7	CAT40-FMB-1"-2.06"	1
8	CAT40-ER32-2.76"	3
9	CAT40-ER16-2,76"	2
10	CAT40-APU-13	1
11	ER32-1/8"	1
12	ER32-3/16"	1
13	ER32-7/32"	1
14	ER32-1/4"	1
15	ER32-5/16"	1
16	ER32-3/8"	1
17	ER32-7/16"	1
18	ER32-1/2"	1

Numero di serie	Modello	QUANTITÀ
19	ER32-9/16"	1
20	ER32-5/8"	1
21	ER32-11/16"	1
22	ER32-3/4"	1
23	ER16-1/32"	1
24	ER16-1/16"	1
25	ER16-3/32"	1
26	ER16-1/8"	1
27	ER16-3/16"	1
28	ER16-7/32"	1
29	ER16-1/4"	1
30	ER16-5/16"	1
31	ER16-11/32"	1
32	ER16-3/8"	1
33	Perno di estrazione CAT40	10
34	Chiave ER32	1
35	Chiave ER16A	1
36	Chiave APU13	1

MODELLO: CAT408

Numero di serie	Modello	QUANTITÀ
1	CAT40-ER16-70	8

MODELLO: CAT405

Numero di serie	Modello	QUANTITÀ
1	CAT40-ER32-70	5

MODELLO: CAT404

Numero di serie	Modello	QUANTITÀ
1	CAT40-ER16-100D	4

MODELLO: CAT40APU13

Numero di serie	Modello	QUANTITÀ
1	CAT40-APU13-100D	1
2	Perno di estrazione CAT40	1
3	Chiave APU13	1

Indirizzo: Baoshanqu Shuangchenglu 803long 11hao 1602A-1609shi
Shanghai

Importato in AUS: SIHAO PTY LTD, 1 ROKEVA STREETEASTWOOD
NSW 2122 Australia

Importato negli Stati Uniti: Sanven Technology Ltd, Suite 250, 9166
Anaheim Place, Rancho Cucamonga, CA 91730



SHUNSHUN GmbH
Römeräcker 9 Z2021, 76351
Linkenheim-Hochstetten, Germany



Pooledas Group Ltd
Unit 5 Albert Edward House, The
Pavilions Preston, United Kingdom

Made in China

VEVOR[®]

TOUGH TOOLS, HALF PRICE

Tecnico Supporto e certificato di garanzia elettronica

www.vevor.com/support

VEVOR[®]

TOUGH TOOLS, HALF PRICE

Técnico Certificado de soporte y garantía electrónica

www.vevor.com/support

JUEGO DE PORTABROCAS CAT Y JUEGO DE PINZAS DE RESORTE

**MODELO: R813/ER3225/CAT4035/CAT408
CAT405/CAT404/CAT40APU13**

We continue to be committed to provide you tools with competitive price. "Save Half", "Half Price" or any other similar expressions used by us only represents an estimate of savings you might benefit from buying certain tools with us compared to the major top brands and does not necessarily mean to cover all categories of tools offered by us. You are kindly reminded to verify carefully when you are placing an order with us if you are actually saving half in comparison with the top major brands.

VEVOR[®]

TOUGH TOOLS, HALF PRICE

CAT COLLET CHUCK SET & SPRING COLLET SET



R813



ER3225



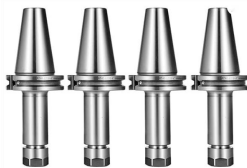
CAT4035



CAT408



CAT405



CAT404



CAT40APU13

NEED HELP? CONTACT US!

Have product questions? Need technical support? Please feel free to contact us:

Technical Support and E-Warranty Certificate
www.vevor.com/support

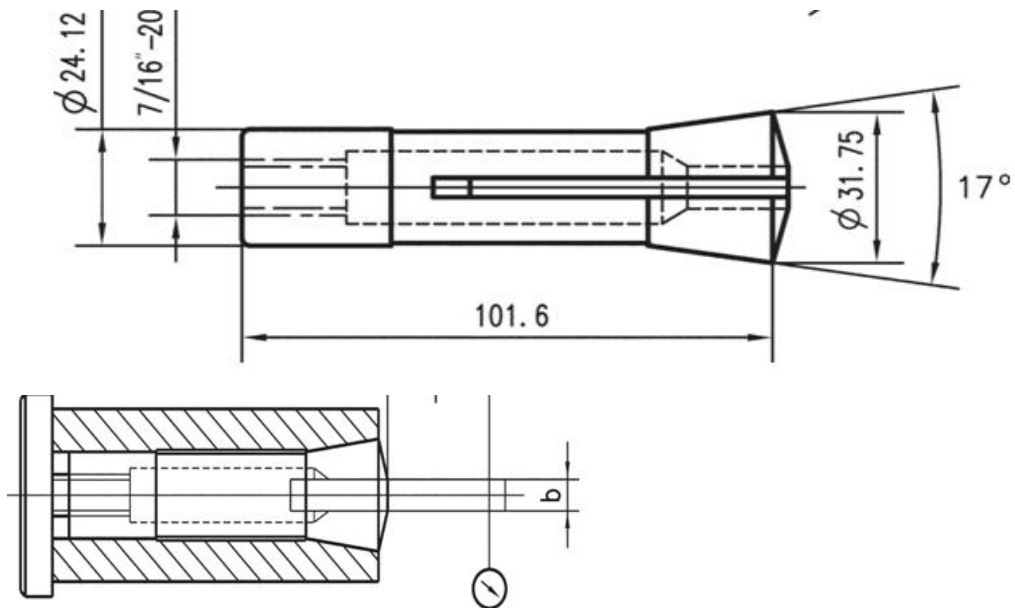
This is the original instruction, please read all manual instructions carefully before operating. VEVOR reserves a clear interpretation of our user manual. The appearance of the product shall be subject to the product you received. Please forgive us that we won't inform you again if there are any technology or software updates on our product.

SAFETY NOTICE

¡ADVERTENCIA!

1. Antes de utilizar este producto, lea atentamente las instrucciones y comprenda las especificaciones.
2. Inspeccionar antes de cada uso; no lo utilice si está dañado.
3. Mantener alejado de los niños.
4. Cuando utilice este producto, asegúrese de usar equipo de protección personal, como gafas, para evitar lesiones accidentales.
5. Cuando utilice este producto, preste atención a mantener limpio el juego de portabrocas CAT y el juego de pinzas de resorte para prolongar su vida útil.
6. Cuando utilice este producto, no coloque los dedos ni otros objetos en el juego de portabrocas y pinzas de resorte CAT para evitar lesiones.
7. No utilice el juego de portabrocas CAT y el cabezal del juego de pinzas con resorte en lugar de un martillo para golpear.
8. Utilice el producto sólo después de recibir formación profesional en metalurgia.
9. Asegúrese de que el espacio de trabajo permanezca limpio, seco y bien ventilado durante la operación.
10. No lo utilice en ambientes inflamables, explosivos o húmedos.
11. Para reducir el riesgo de lesiones al usarlo, asegúrese de que el juego de portabrocas y pinzas de resorte CAT esté instalado de forma segura y estable para evitar movimientos o vuelcos durante el uso.
12. Siga los procedimientos operativos seguros al utilizar el juego de portabrocas y pinzas de resorte CAT, evitando fuerza excesiva o técnicas incorrectas.

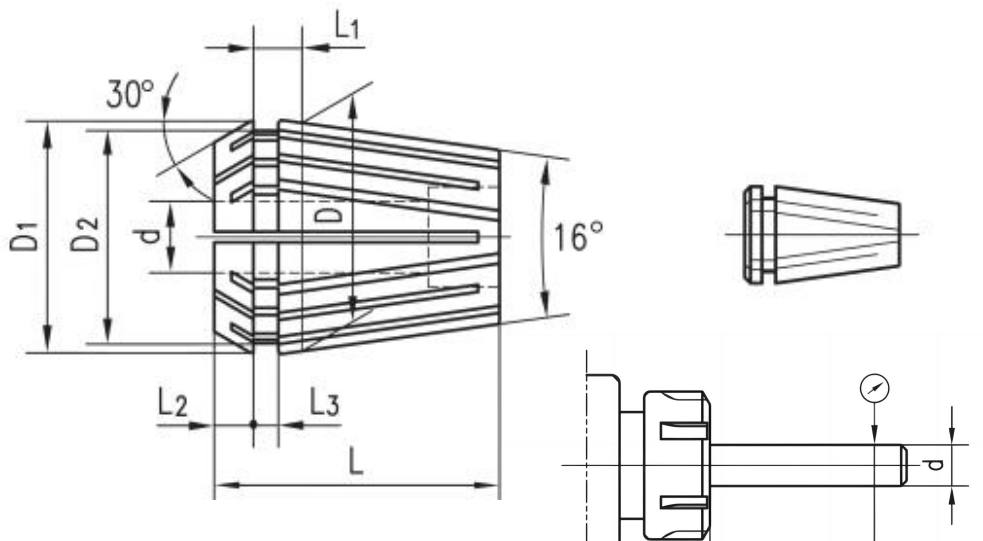
GUARDA ESTAS INSTRUCCIONES



MODELO: R813

Número de serie	Modelo	CANTIDAD
1	R8-1/2"	1
2	R8-1/4"	1
3	R8-1/8"	1
4	R8-11/16"	1
5	R8-13/16"	1
6	R8-3/16"	1
7	R8-3/4"	1

Número de serie	Modelo	CANTIDAD
8	R8-3/8"	1
9	R8-5/16"	1
10	R8-5/8"	1
11	R8-7/16"	1
12	R8-7/8"	1
13	R8-9/16"	1



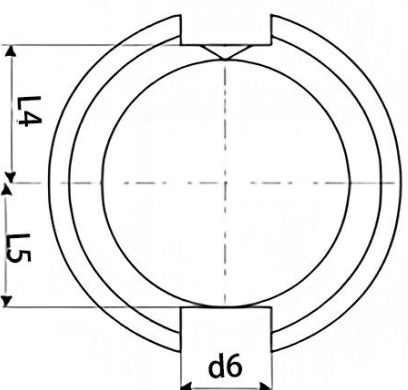
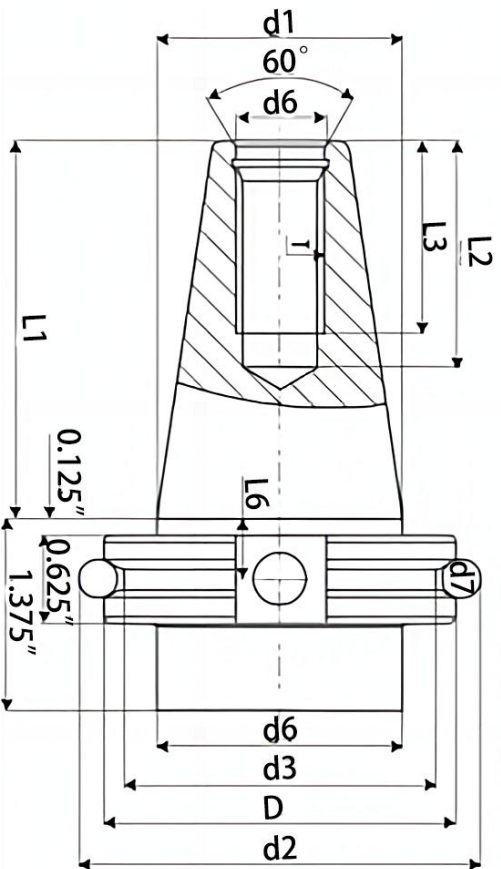
mm							
Model	D	D1	D2	L	L1	L2	L3
ER8	8	8.45	6.5	13.5	2.98	1.5	1.2
ER11	11	11.5	9.5	18.0	3.8	2.5	2.0
ER16	16	17	13.8	27.5	6.26	4.0	2.7
	16	17	13.8	27.5	6.26	4.0	2.7
ER20	20	21	17.4	31.5	6.36	4.8	2.8
	20	21	17.4	31.5	6.36	4.8	2.8
ER25	25	26	22.0	34.0	6.66	5.0	3.1
	25	26	22.0	34.0	6.66	5.0	3.1
ER32	32	33	29.2	40.0	7.16	5.5	3.6
	32	33	29.2	40.0	7.16	5.5	3.6
ER40	40	41	36.2	46.0	7.66	7.0	4.1
ER50	50	52	46.0	60.0	12.6	8.5	5.5
	50	52	46.0	60.0	12.6	8.5	5.5

MODELO:ER3225

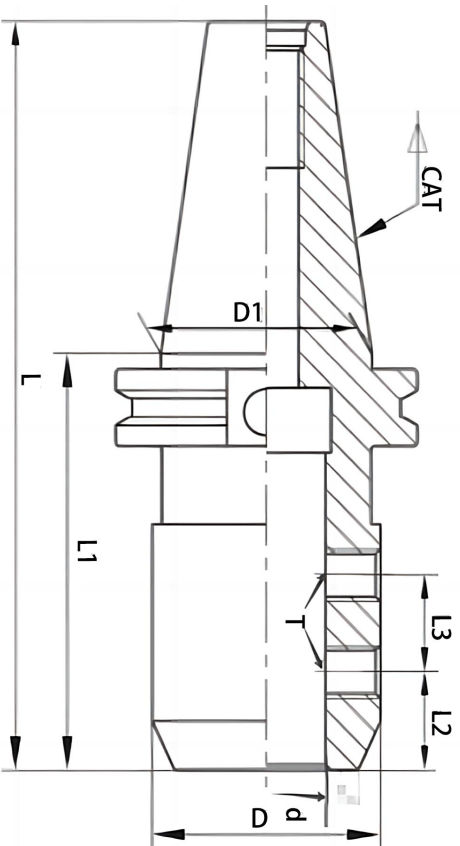
Número de serie	Modelo	CAN TIDA D	Número de serie	Modelo	CAN TIDA D
-----------------	--------	------------	-----------------	--------	------------

1	ER32-1/16	1
2	ER32-1/2"	1
3	ER32-1/4"	1
4	ER32-1/8"	1
5	ER32-11/16"	1
6	ER32-11/32"	1
7	ER32-13/16"	1
8	ER32-13/32"	1
9	ER32-15/32"	1
10	ER32-17/32"	1
11	ER32-19/32"	1
12	ER32-21/32"	1
13	ER32-23/32"	1

14	ER32-25/32"	1
15	ER32-3/16"	1
dieciséis	ER32-3/32"	1
17	ER32-3/4"	1
18	ER32-3/8"	1
19	ER32-5/16"	1
20	ER32-5/32"	1
21	ER32-5/8"	1
22	ER32-7/16"	1
23	ER32-7/32"	1
24	ER32-9/16"	1
25	ER32-9/32"	1

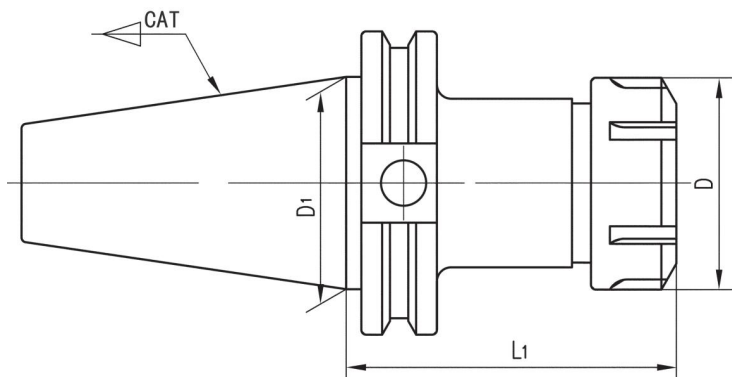


Type	D	d1	d2	d3	d4	d5	d6	d7	L1	L2	L3	L4	L5	L6	T
CAT30	1.812	1.250	2.176	1.531	1.250	0.516	0.645	0.2813	1.875	1.00	0.188	0.735	0.640	0.440	0.500-13
CAT40	2.900	1.750	2.863	2.219	1.750	0.641	0.645	0.2813	2.687	1.12	0.188	0.985	0.890	0.440	0.625-11
CAT45	3.250	2.250	2.969	2.969	2.250	0.766	0.770	0.2813	3.250	1.50	0.188	1.235	1.140	0.440	0.750-10
CAT50	3.875	2.750	3.594	3.594	2.750	1.031	1.020	0.2813	4.000	1.75	0.250	1.485	1.390	0.440	1.000-8



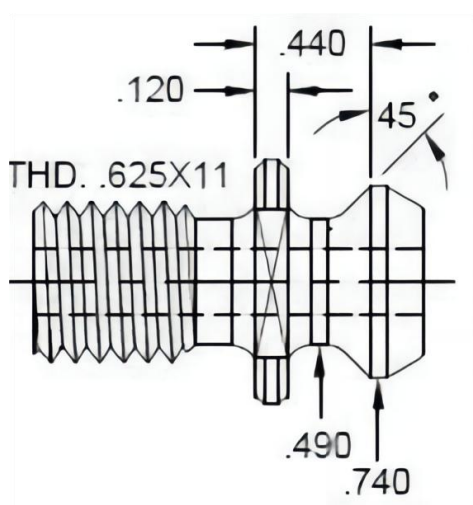
inch/mm

Model	-L1	L	L2	L3	d	D	D1	T
CAT40-SLN1/4	"-2-1/2"	131.75	16		6.35	27		M5
CAT40-SLN3/8	"-2-1/2"	131.75	19		9.525	32		M8
CAT40-SLN1/2	"-2-1/2"	131.75	22		12.7	35	44.45	M10
CAT40-SLN5/8	"-3"	144.45	23		15.875	41		M12
CAT40-SLN3/4	"-3"	144.45	25		19.05	44.5		M16
CAT40-SLN1	"-4"	169.85	28	25.4	25.4	55		M16



inch/mm

CAT X ER-L1	D	D1
CT40×ER16-2.76"	28	44.45
CAT40×ER16-4.00"	28	44.45
CAT40×ER16-6.00"	28	44.45
CAT40×ER32-2.76"	50	44.45
CAT40×ER32-4.00"	50	44.45
CAT40×ER32-6.00"	50	44.45



MODELO: CAT4035

Número de serie	Modelo	CAN TIDA D
1	CAT40-SLN-5/8" -3	1
2	CAT40-SLN-3/8"-2.5	1
3	CAT40-SLN-3/4"-3	1
4	CAT40-SLN-1/4"-2.5	1
5	CAT40-SLN-1/2"-2.5	1
6	CAT40-SLN-1" -4"	1
7	CAT40-FMB-1"-2.06"	1
8	CAT40-ER32-2.76"	3
9	CAT40-ER16-2.76"	2
10	CAT40-APU-13	1
11	ER32-1/8"	1
12	ER32-3/16"	1
13	ER32-7/32"	1
14	ER32-1/4"	1
15	ER32-5/16"	1
dieciséis	ER32-3/8"	1
17	ER32-7/16"	1
18	ER32-1/2"	1

Número de serie	Modelo	CAN TIDA D
19	ER32-9/16"	1
20	ER32-5/8"	1
21	ER32-11/16"	1
22	ER32-3/4"	1
23	ER16-1/32"	1
24	ER16-1/16"	1
25	ER16-3/32"	1
26	ER16-1/8"	1
27	ER16-3/16"	1
28	ER16-7/32"	1
29	ER16-1/4"	1
30	ER16-5/16"	1
31	ER16-11/32"	1
32	ER16-3/8"	1
33	Pasador de tracción CAT40	10
34	Llave ER32	1
35	Llave ER16A	1
36	Llave APU13	1

MODELO: CAT408

Número de serie	Modelo	CANTIDAD
1	CAT40-ER16-70	8

MODELO: CAT405

Número de serie	Modelo	CANTIDAD
1	CAT40-ER32-70	5

MODELO: CAT404

Número de serie	Modelo	CANTIDAD
1	CAT40-ER16-100D	4

MODELO: CAT40APU13

Número de serie	Modelo	CANTIDAD
1	CAT40-APU13-100D	1
2	Pasador de tracción CAT40	1
3	Llave APU13	1

Dirección: Baoshanqu Shuangchenglu 803long 11hao 1602A-1609shi
Shanghai

Importado a AUS: SIHAO PTY LTD, 1 ROKEVA STREETEASTWOOD
NSW 2122 Australia

Importado a EE. UU.: Sanven Technology Ltd, Suite 250, 9166 Anaheim
Place, Rancho Cucamonga, CA 91730

EC	REP	SHUNSHUN GmbH Römeräcker 9 Z2021, 76351 Linkenheim-Hochstetten, Germany
-----------	------------	---

UK	REP	Pooledas Group Ltd Unit 5 Albert Edward House, The Pavilions Preston, United Kingdom
-----------	------------	--

Hecho en china

VEVOR[®]

TOUGH TOOLS, HALF PRICE

Técnico Certificado de soporte y garantía electrónica

www.vevor.com/support

VEVOR[®]

TOUGH TOOLS, HALF PRICE

Techniczny Certyfikat wsparcia i e-gwarancji

www.vevor.com/support

ZESTAW UCHWYTÓW ZACISKOWYCH CAT

I ZESTAW TULEI SPRĘŻYNOWYCH

MODELU: R813/ER3225/CAT4035/CAT408

CAT405/CAT404/CAT40APU13

We continue to be committed to provide you tools with competitive price.

"Save Half", "Half Price" or any other similar expressions used by us only represents an estimate of savings you might benefit from buying certain tools with us compared to the major top brands and does not necessarily mean to cover all categories of tools offered by us. You are kindly reminded to verify carefully when you are placing an order with us if you are actually saving half in comparison with the top major brands.

VEVOR®

TOUGH TOOLS, HALF PRICE

CAT COLLET CHUCK SET & SPRING COLLET SET



R813



ER3225



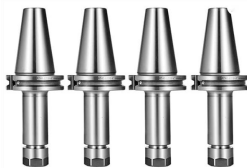
KAT4035



KAT408



KAT405



KAT404



CAT40APU13

NEED HELP? CONTACT US!

Have product questions? Need technical support? Please feel free to contact us:

Technical Support and E-Warranty Certificate
www.vevor.com/support

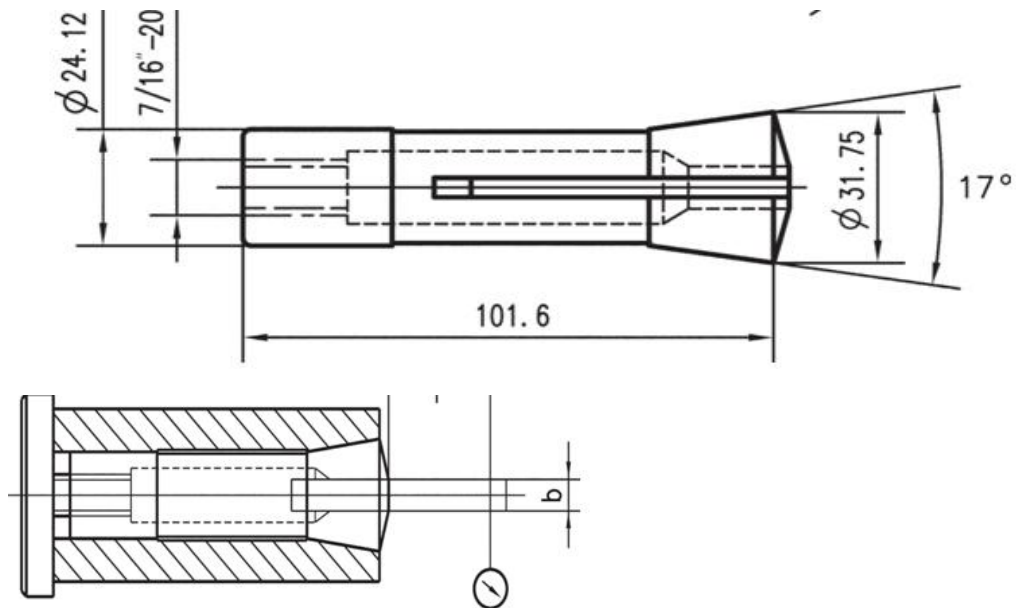
This is the original instruction, please read all manual instructions carefully before operating. VEVOR reserves a clear interpretation of our user manual. The appearance of the product shall be subject to the product you received. Please forgive us that we won't inform you again if there are any technology or software updates on our product.

SAFETY NOTICE

OSTRZEŻENIE!

1. Przed użyciem tego produktu przeczytaj uważnie instrukcję i zapoznaj się ze specyfikacjami.
2. Sprawdź przed każdym użyciem; nie używać, jeśli jest uszkodzony.
3. Trzymaj z dala od dzieci.
4. Podczas korzystania z tego produktu należy nosić sprzęt ochrony osobistej, taki jak okulary, aby zapobiec przypadkowym obrażeniom.
5. Podczas korzystania z tego produktu należy zwracać uwagę na utrzymanie zestawu tulei zaciskowych CAT i zestawu tulei sprężynowych CAT w czystości, aby przedłużyć żywotność.
6. Podczas korzystania z tego produktu nie wkładaj palców ani innych przedmiotów do zestawu tulei zaciskowych CAT i zestawu tulei sprężynowych CAT, aby uniknąć obrażeń.
7. Do uderzenia nie należy używać zestawu tulei zaciskowych CAT i zestawu tulei sprężynowych CAT zamiast młotka
8. Produkt stosować wyłącznie po odbyciu profesjonalnego szkolenia w zakresie obróbki metali.
9. Upewnij się, że miejsce pracy pozostaje czyste, suche i dobrze wentylowane podczas pracy.
10. Nie używaj w środowisku łatwopalnym, wybuchowym lub wilgotnym.
11. Aby zmniejszyć ryzyko obrażeń podczas używania, upewnij się, że zestaw tulei zaciskowych CAT i zestaw tulei sprężynowych są bezpiecznie zamontowane i stabilne, aby zapobiec przesuwaniu się lub przewróceniu podczas użytkowania.
12. Podczas korzystania z zestawu tulei zaciskowych i zestawu tulei sprężynowych CAT należy przestrzegać procedur bezpiecznej obsługi, unikając nadmiernej siły lub nieprawidłowych technik.

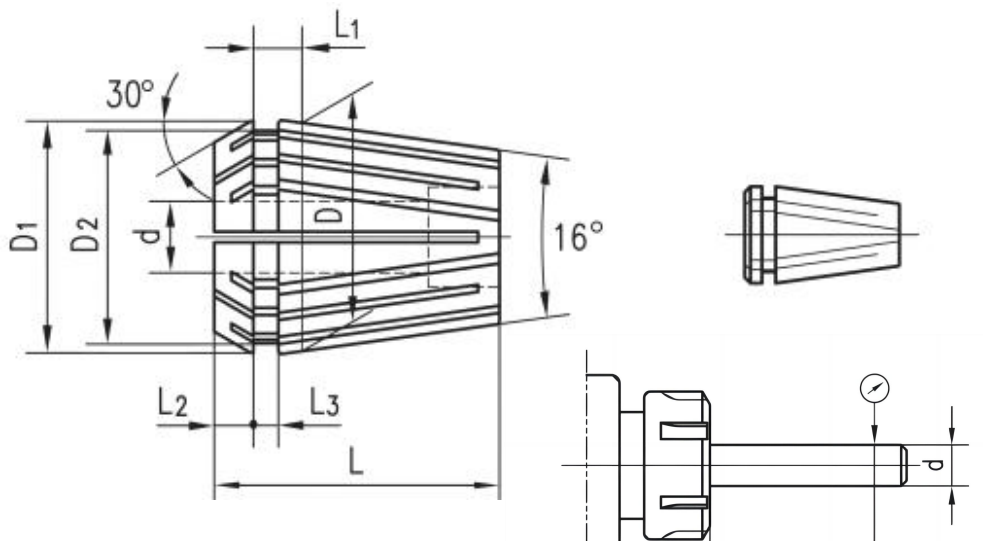
ZACHOWAJ TE INSTRUKCJE



MODEL: R813

Numer seryjny	Model	ILOŚĆ
1	R8-1/2"	1
2	R8-1/4"	1
3	R8-1/8"	1
4	R8-11/16"	1
5	R8-13/16"	1
6	R8-3/16"	1
7	R8-3/4"	1

Numer seryjny	Model	ILOŚĆ
8	R8-3/8"	1
9	R8-5/16"	1
10	R8-5/8"	1
11	R8-7/16"	1
12	R8-7/8"	1
13	R8-9/16"	1



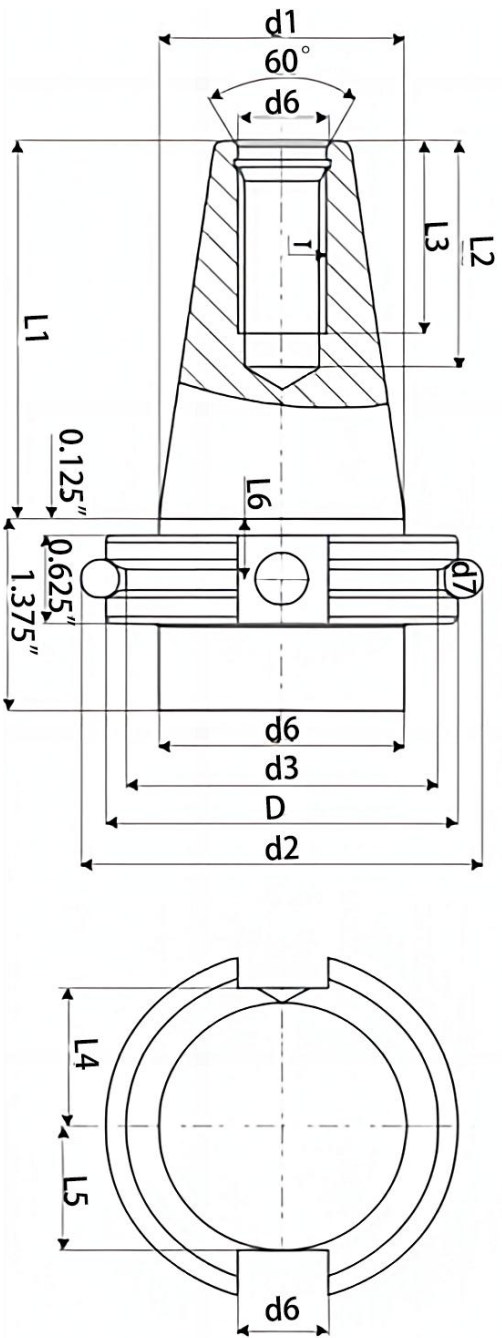
mm							
Model	D	D1	D2	L	L1	L2	L3
ER8	8	8.45	6.5	13.5	2.98	1.5	1.2
ER11	11	11.5	9.5	18.0	3.8	2.5	2.0
ER16	16	17	13.8	27.5	6.26	4.0	2.7
	16	17	13.8	27.5	6.26	4.0	2.7
ER20	20	21	17.4	31.5	6.36	4.8	2.8
	20	21	17.4	31.5	6.36	4.8	2.8
ER25	25	26	22.0	34.0	6.66	5.0	3.1
	25	26	22.0	34.0	6.66	5.0	3.1
ER32	32	33	29.2	40.0	7.16	5.5	3.6
	32	33	29.2	40.0	7.16	5.5	3.6
ER40	40	41	36.2	46.0	7.66	7.0	4.1
ER50	50	52	46.0	60.0	12.6	8.5	5.5
	50	52	46.0	60.0	12.6	8.5	5.5

MODEL:ER3225

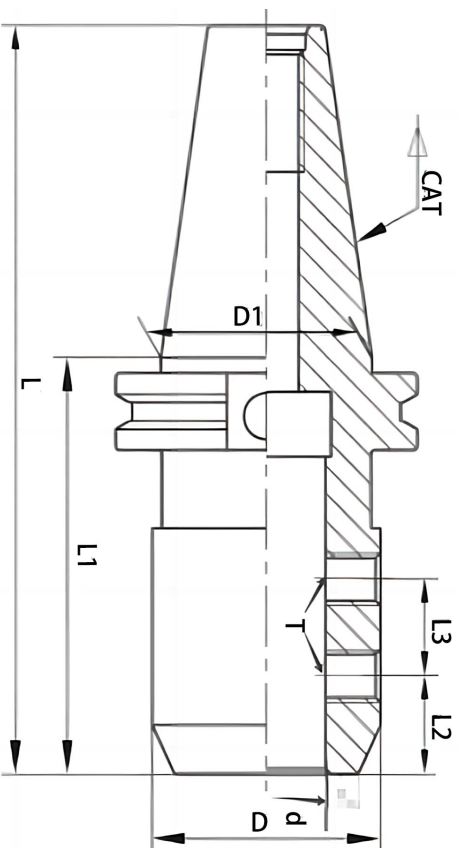
Numer seryjny	Model	IŁOŚĆ	Numer seryjny	Model	IŁOŚĆ
		Ć			Ć

1	ER32-1/16	1
2	ER32-1/2"	1
3	ER32-1/4"	1
4	ER32-1/8"	1
5	ER32-11/16"	1
6	ER32-11/32"	1
7	ER32-13/16"	1
8	ER32-13/32"	1
9	ER32-15/32"	1
10	ER32-17/32"	1
11	ER32-19/32"	1
12	ER32-21/32"	1
13	ER32-23/32"	1

14	ER32-25/32"	1
15	ER32-3/16"	1
16	ER32-3/32"	1
17	ER32-3/4"	1
18	ER32-3/8"	1
19	ER32-5/16"	1
20	ER32-5/32"	1
21	ER32-5/8"	1
22	ER32-7/16"	1
23	ER32-7/32"	1
24	ER32-9/16"	1
25	ER32-9/32"	1

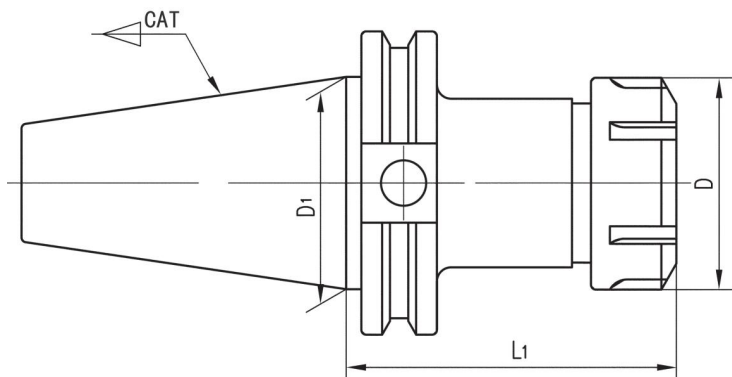


Type	D	d1	d2	d3	d4	d5	d6	d7	L1	L2	L3	L4	L5	L6	T
CAT30	1.812	1.250	2.176	1.531	1.250	0.516	0.645	0.2813	1.875	1.00	0.188	0.735	0.640	0.440	0.500-13
CAT40	2.900	1.750	2.863	2.219	1.750	0.641	0.645	0.2813	2.687	1.12	0.188	0.985	0.890	0.440	0.625-11
CAT45	3.250	2.250	2.969	2.969	2.250	0.766	0.770	0.2813	3.250	1.50	0.188	1.235	1.140	0.440	0.750-10
CAT50	3.875	2.750	3.594	3.594	2.750	1.031	1.020	0.2813	4.000	1.75	0.250	1.485	1.390	0.440	1.000-8



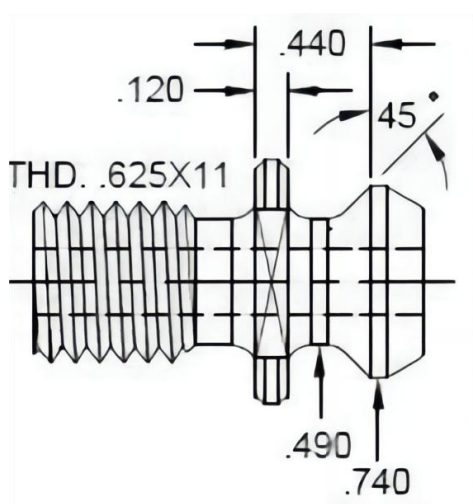
inch/mm

Model	L	L2	L3	d	D	D1	T
CAT40-SLN1/4 "-2-1/2"	131.75	16		6.35	27		M5
CAT40-SLN3/8 "-2-1/2"	131.75	19		9.525	32		M8
CAT40-SLN1/2 "-2-1/2"	131.75	22		12.7	35	44.45	M10
CAT40-SLN5/8 "-3"	144.45	23		15.875	41		M12
CAT40-SLN3/4 "-3"	144.45	25		19.05	44.5		M16
CAT40-SLN1 "-4"	169.85	28	25.4	25.4	55		M16



inch/mm

CAT X ER-L1	D	D1
CT40×ER16-2.76"	28	44.45
CAT40×ER16-4.00"	28	44.45
CAT40×ER16-6.00"	28	44.45
CAT40×ER32-2.76"	50	44.45
CAT40×ER32-4.00"	50	44.45
CAT40×ER32-6.00"	50	44.45



MODELU: CAT4035

Numer seryjny	Model	ILOŚĆ
1	CAT40-SLN-5/8" -3	1
2	CAT40-SLN-3/8"-2,5	1
3	CAT40-SLN-3/4"-3	1
4	CAT40-SLN-1/4"-2,5	1
5	CAT40-SLN-1/2"-2,5	1
6	CAT40-SLN-1" -4"	1
7	CAT40-FMB-1"-2,06"	1
8	KAT40-ER32-2,76"	3
9	CAT40-ER16-2,76"	2
10	CAT40-APU-13	1
11	ER32-1/8"	1
12	ER32-3/16"	1
13	ER32-7/32"	1
14	ER32-1/4"	1
15	ER32-5/16"	1
16	ER32-3/8"	1
17	ER32-7/16"	1
18	ER32-1/2"	1

Numer seryjny	Model	ILOŚĆ
19	ER32-9/16"	1
20	ER32-5/8"	1
21	ER32-11/16"	1
22	ER32-3/4"	1
23	ER16-1/32"	1
24	ER16-1/16"	1
25	ER16-3/32"	1
26	ER16-1/8"	1
27	ER16-3/16"	1
28	ER16-7/32"	1
29	ER16-1/4"	1
30	ER16-5/16"	1
31	ER16-11/32"	1
32	ER16-3/8"	1
33	Kotek pociągowy CAT40	10
34	Klucz ER32	1
35	Klucz ER16A	1
36	Klucz APU13	1

MODELU: CAT408

Numer seryjny	Model	ILOŚĆ
1	KAT40-ER16-70	8

MODELU: CAT405

Numer seryjny	Model	ILOŚĆ
1	KAT40-ER32-70	5

MODELU: CAT404

Numer seryjny	Model	ILOŚĆ
1	KAT40-ER16-100D	4

MODELU: CAT40APU13

Numer seryjny	Model	ILOŚĆ
1	CAT40-APU13-100D	1
2	Kółek pociągowy CAT40	1
3	Klucz APU13	1

Adres: Baoshanqu Shuangchenglu 803long 11hao 1602A-1609shi
Szanghaj

Import do AUS: SIHAO PTY LTD, 1 ROKEVA STREETEASTWOOD NSW
2122 Australia

Import do USA: Sanven Technology Ltd, Suite 250, 9166 Anaheim Place,
Rancho Cucamonga, CA 91730



SHUNSHUN GmbH
Römeräcker 9 Z2021, 76351
Linkenheim-Hochstetten, Germany



Pooledas Group Ltd
Unit 5 Albert Edward House, The
Pavilions Preston, United Kingdom

Wyprodukowano w Chinach

VEVOR[®]

TOUGH TOOLS, HALF PRICE

Techniczny Certyfikat wsparcia i e-gwarancji

www.vevor.com/support

VEVOR[®]

TOUGH TOOLS, HALF PRICE

Technisch Ondersteuning en e-garantiecertificaat

www.vevor.com/support

CAT SPANTANGSET

& VEERSPANTANGSET

MODEL: R813/ER3225/CAT4035/CAT408

CAT405/CAT404/CAT40APU13

We continue to be committed to provide you tools with competitive price.

"Save Half", "Half Price" or any other similar expressions used by us only represents an estimate of savings you might benefit from buying certain tools with us compared to the major top brands and does not necessarily mean to cover all categories of tools offered by us. You are kindly reminded to verify carefully when you are placing an order with us if you are actually saving half in comparison with the top major brands.

VEVOR®

TOUGH TOOLS, HALF PRICE

CAT COLLET CHUCK SET & SPRING COLLET SET



R813



ER3225



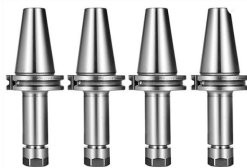
CAT4035



CAT408



CAT405



CAT404



CAT40APU13

NEED HELP? CONTACT US!

Have product questions? Need technical support? Please feel free to contact us:

Technical Support and E-Warranty Certificate
www.vevor.com/support

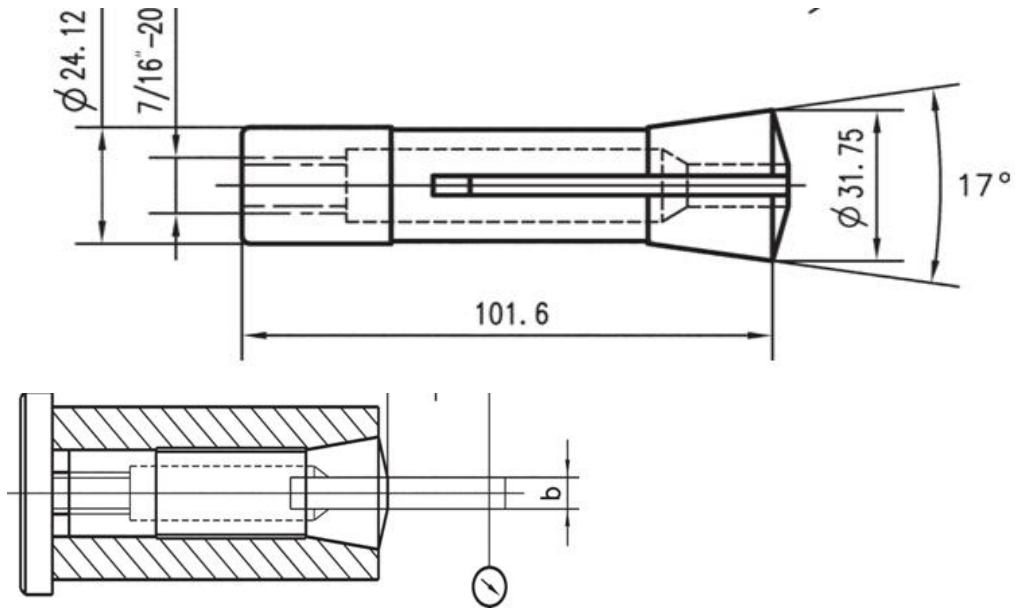
This is the original instruction, please read all manual instructions carefully before operating. VEVOR reserves a clear interpretation of our user manual. The appearance of the product shall be subject to the product you received. Please forgive us that we won't inform you again if there are any technology or software updates on our product.

SAFETY NOTICE

WAARSCHUWING!

1. Lees de instructies zorgvuldig door voordat u dit product gebruikt en zorg ervoor dat u de specificaties begrijpt.
2. Inspecteer vóór elk gebruik; niet gebruiken als het beschadigd is.
3. Buiten het bereik van kinderen houden.
4. Zorg ervoor dat u bij gebruik van dit product persoonlijke beschermingsmiddelen, zoals een veiligheidsbril, draagt om accidenteel letsel te voorkomen.
5. Let er bij gebruik van dit product op dat u de CAT spantangset en veerspantangset schoon houdt om de levensduur te verlengen .
6. Steek tijdens het gebruik van dit product uw vingers of andere voorwerpen niet in de CAT spantangset en veerspantangset om letsel te voorkomen.
7. Gebruik alstublieft geen CAT spantangset en veerspantangset in plaats van een hamer om te slaan
8. Gebruik het product alleen nadat u een professionele metaalbewerkingsopleiding heeft gevolgd.
9. Zorg ervoor dat de werkruimte tijdens bedrijf schoon, droog en goed geventileerd blijft.
10. Niet gebruiken in ontvlambare, explosieve of vochtige omgevingen.
11. Om het risico op letsel tijdens het gebruik te verminderen, moet u ervoor zorgen dat de CAT spantangset en veerspantangset veilig en stabiel is geïnstalleerd om beweging of kantelen tijdens gebruik te voorkomen.
12. Volg veilige bedieningsprocedures bij het gebruik van de CAT spantangset en veerspantangset, waarbij u overmatig geweld of onjuiste technieken vermijdt.

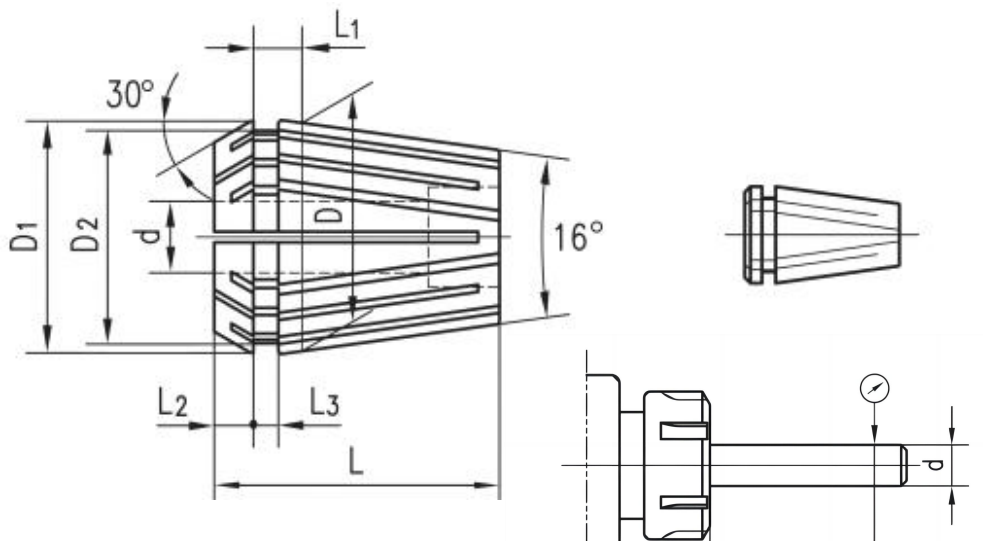
BEWAAR DEZE INSTRUCTIES



MODEL: R813

Seriennummer	Model	AANTAL
1	R8-1/2"	1
2	R8-1/4"	1
3	R8-1/8"	1
4	R8-11/16"	1
5	R8-13/16"	1
6	R8-3/16"	1
7	R8-3/4"	1

Seriennummer	Model	AANTAL
8	R8-3/8"	1
9	R8-5/16"	1
10	R8-5/8"	1
11	R8-7/16"	1
12	R8-7/8"	1
13	R8-9/16"	1



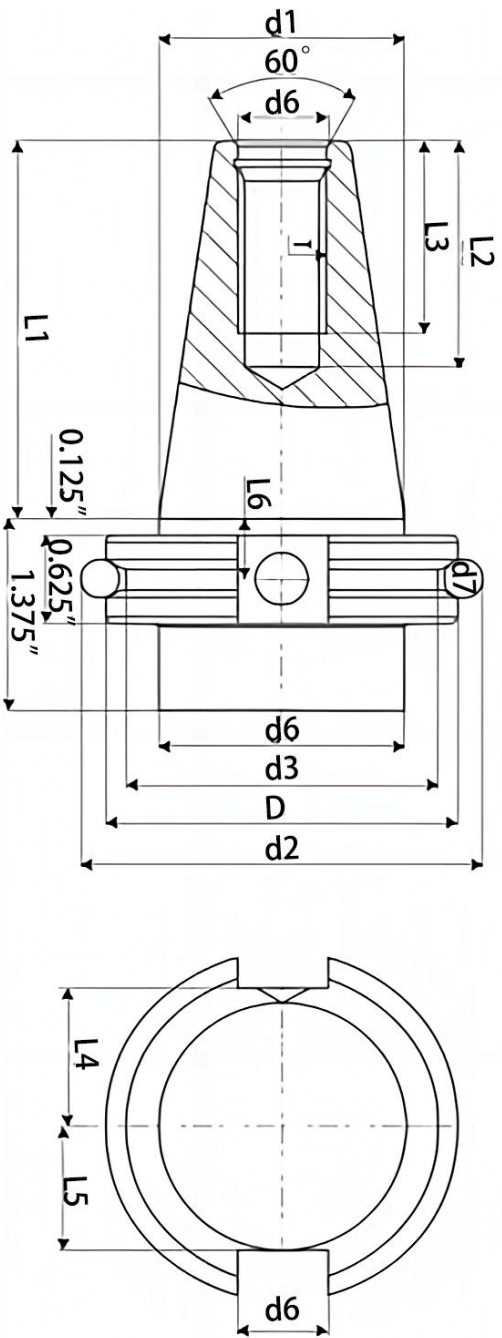
mm							
Model	D	D1	D2	L	L1	L2	L3
ER8	8	8.45	6.5	13.5	2.98	1.5	1.2
ER11	11	11.5	9.5	18.0	3.8	2.5	2.0
ER16	16	17	13.8	27.5	6.26	4.0	2.7
	16	17	13.8	27.5	6.26	4.0	2.7
ER20	20	21	17.4	31.5	6.36	4.8	2.8
	20	21	17.4	31.5	6.36	4.8	2.8
ER25	25	26	22.0	34.0	6.66	5.0	3.1
	25	26	22.0	34.0	6.66	5.0	3.1
ER32	32	33	29.2	40.0	7.16	5.5	3.6
	32	33	29.2	40.0	7.16	5.5	3.6
ER40	40	41	36.2	46.0	7.66	7.0	4.1
ER50	50	52	46.0	60.0	12.6	8.5	5.5
	50	52	46.0	60.0	12.6	8.5	5.5

MODEL:ER3225

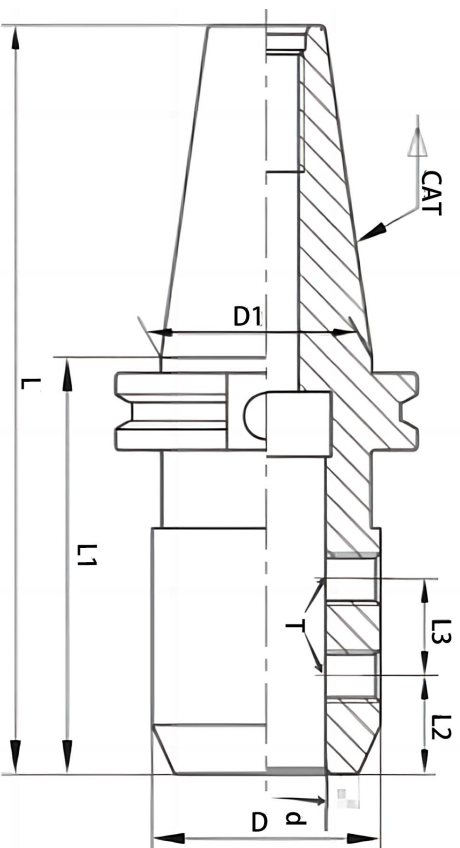
Seriennummer	Model	AANTAL	Seriennummer	Model	AANTAL
--------------	-------	--------	--------------	-------	--------

1	ER32-1/16	1
2	ER32-1/2"	1
3	ER32-1/4"	1
4	ER32-1/8"	1
5	ER32-11/16"	1
6	ER32-11/32"	1
7	ER32-13/16"	1
8	ER32-13/32"	1
9	ER32-15/32"	1
10	ER32-17/32"	1
11	ER32-19/32"	1
12	ER32-21/32"	1
13	ER32-23/32"	1

14	ER32-25/32"	1
15	ER32-3/16"	1
16	ER32-3/32"	1
17	ER32-3/4"	1
18	ER32-3/8"	1
19	ER32-5/16"	1
20	ER32-5/32"	1
21	ER32-5/8"	1
22	ER32-7/16"	1
23	ER32-7/32"	1
24	ER32-9/16"	1
25	ER32-9/32"	1

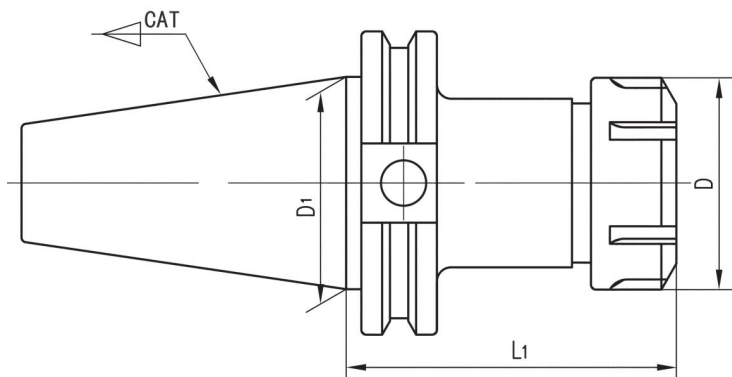


Type	D	d1	d2	d3	d4	d5	d6	d7	L1	L2	L3	L4	L5	L6	T
CAT30	1.812	1.250	2.176	1.531	1.250	0.516	0.645	0.2813	1.875	1.00	0.188	0.735	0.640	0.440	0.500-13
CAT40	2.900	1.750	2.863	2.219	1.750	0.641	0.645	0.2813	2.687	1.12	0.188	0.985	0.890	0.440	0.625-11
CAT45	3.250	2.250	2.969	2.969	2.250	0.766	0.770	0.2813	3.250	1.50	0.188	1.235	1.140	0.440	0.750-10
CAT50	3.875	2.750	3.594	3.594	2.750	1.031	1.020	0.2813	4.000	1.75	0.250	1.485	1.390	0.440	1.000-8



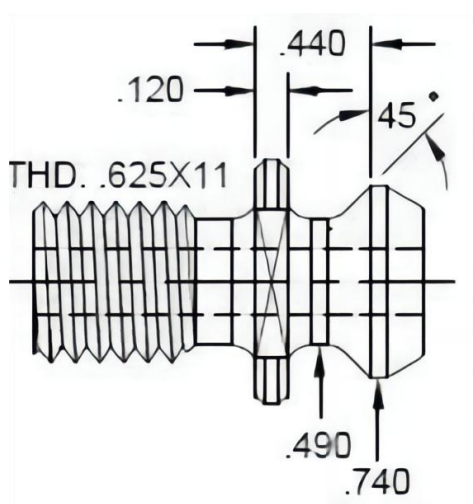
inch/mm

Model	-L1	L	L2	L3	d	D	D1	T
CAT40-SLN1/4	-2-1/2"	131.75	16		6.35	27		M5
CAT40-SLN3/8	-2-1/2"	131.75	19		9.525	32		M8
CAT40-SLN1/2	-2-1/2"	131.75	22		12.7	35	44.45	M10
CAT40-SLN5/8	"-3"	144.45	23		15.875	41		M12
CAT40-SLN3/4	"-3"	144.45	25		19.05	44.5		M16
CAT40-SLN1	"-4"	169.85	28	25.4	25.4	55		M16



inch/mm

CAT X ER-L1	D	D1
CT40×ER16-2.76"	28	44.45
CAT40×ER16-4.00"	28	44.45
CAT40×ER16-6.00"	28	44.45
CAT40×ER32-2.76"	50	44.45
CAT40×ER32-4.00"	50	44.45
CAT40×ER32-6.00"	50	44.45



MODEL: CAT4035

Serienummer	Model	AANTAL
1	CAT40-SLN-5/8"-3	1
2	CAT40-SLN-3/8"-2,5	1
3	CAT40-SLN-3/4"-3	1
4	CAT40-SLN-1/4"-2,5	1
5	CAT40-SLN-1/2"-2,5	1
6	CAT40-SLN-1" -4"	1
7	CAT40-FMB-1"-2,06"	1
8	CAT40-ER32-2,76"	3
9	CAT40-ER16-2,76"	2
10	CAT40-APU-13	1
11	ER32-1/8"	1
12	ER32-3/16"	1
13	ER32-7/32"	1
14	ER32-1/4"	1
15	ER32-5/16"	1
16	ER32-3/8"	1
17	ER32-7/16"	1
18	ER32-1/2"	1

Serienummer	Model	AANTAL
19	ER32-9/16"	1
20	ER32-5/8"	1
21	ER32-11/16"	1
22	ER32-3/4"	1
23	ER16-1/32"	1
24	ER16-1/16"	1
25	ER16-3/32"	1
26	ER16-1/8"	1
27	ER16-3/16"	1
28	ER16-7/32"	1
29	ER16-1/4"	1
30	ER16-5/16"	1
31	ER16-11/32"	1
32	ER16-3/8"	1
33	CAT40 trekpen	10
34	ER32 sleutel	1
35	ER16A sleutel	1
36	APU13 sleutel	1

MODEL: CAT408

Serienummer	Model	AANTAL
1	CAT40-ER16-70	8

MODEL:CAT405

Serienummer	Model	AANTAL
1	CAT40-ER32-70	5

MODEL: CAT404

Serienummer	Model	AANTAL
1	CAT40-ER16-100D	4

MODEL:CAT40APU13

Serienummer	Model	AANTAL
1	CAT40-APU13-100D	1
2	CAT40 trekpen	1
3	APU13 sleutel	1

Adres: Baoshanqu Shuangchenglu 803long 11hao 1602A-1609shi
Shanghai

Geïmporteerd naar AUS: SIHAO PTY LTD, 1 ROKEVA
STREETEASTWOOD NSW 2122 Australië

Geïmporteerd naar de VS: Sanven Technology Ltd, Suite 250, 9166
Anaheim Place, Rancho Cucamonga, CA 91730



SHUNSHUN GmbH
Römeräcker 9 Z2021, 76351
Linkenheim-Hochstetten, Germany



Pooledas Group Ltd
Unit 5 Albert Edward House, The
Pavilions Preston, United Kingdom

Gemaakt in China

VEVOR[®]

TOUGH TOOLS, HALF PRICE

Technisch Ondersteuning en e-garantiecertificaat

www.vevor.com/support

VEVOR[®]

TOUGH TOOLS, HALF PRICE

Teknisk Support och e-garanticertifikat

www.vevor.com/support

CAT SPÄNNHYLSA CHUCK SET & FJÄDERHYLSA

**MODELL: R813/ER3225/CAT4035/CAT408
CAT405/CAT404/CAT40APU13**

We continue to be committed to provide you tools with competitive price. "Save Half", "Half Price" or any other similar expressions used by us only represents an estimate of savings you might benefit from buying certain tools with us compared to the major top brands and does not necessarily mean to cover all categories of tools offered by us. You are kindly reminded to verify carefully when you are placing an order with us if you are actually saving half in comparison with the top major brands.



R813



ER3225



CAT4035



CAT408



CAT405



CAT404



CAT40APU13

NEED HELP? CONTACT US!

Have product questions? Need technical support? Please feel free to contact us:

Technical Support and E-Warranty Certificate
www.vevor.com/support

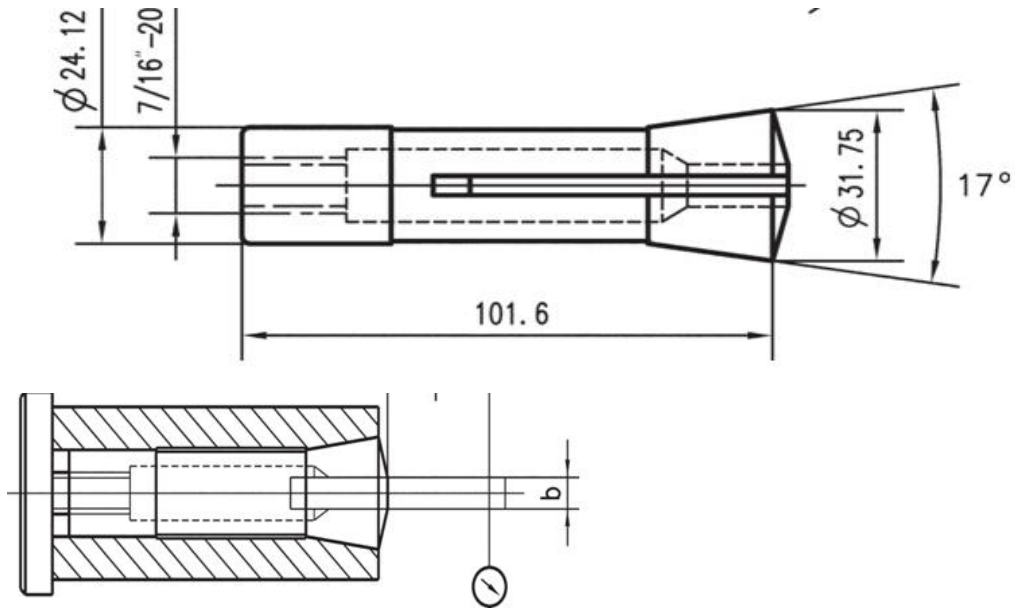
This is the original instruction, please read all manual instructions carefully before operating. VEVOR reserves a clear interpretation of our user manual. The appearance of the product shall be subject to the product you received. Please forgive us that we won't inform you again if there are any technology or software updates on our product.

SAFETY NOTICE

WARNING!

1. Innan du använder denna produkt, läs instruktionerna noggrant och förstå specifikationerna.
2. Inspektera före varje användning; använd inte om den är skadad.
3. Förvaras åtskilt från barn.
4. När du använder denna produkt, se till att bära personlig skyddsutrustning såsom skyddsglasögon för att förhindra oavsiktlig skada.
5. När du använder den här produkten, var uppmärksam på att hålla CAT spännhylschuckset och fjäderhylsset rent för att förlänga livslängden.
6. När du använder den här produkten ska du inte stoppa in fingrarna eller andra föremål i CAT spännhylschuckset och fjäderhylsset för att undvika skador.
7. Vänligen använd inte CAT spännhylsa Chuck Set&Spring Collet Set huvud istället för en hammare för att slå
8. Använd produkten endast efter att ha fått professionell metallbearbetningsutbildning.
9. Se till att arbetsytan förblir ren, torr och välventilerad under drift.
10. Använd inte i brandfarliga, explosiva eller fuktiga miljöer.
11. För att minska risken för skador när du använder den, se till att CAT spännhylschuckset och fjäderhylsset är säkert installerat och stabilt för att förhindra rörelse eller tippning under användning.
12. Följ säkra driftsprocedurer när du använder CAT spännhylsa och fjäderhylsa, undvik överdriven kraft eller felaktiga tekniker.

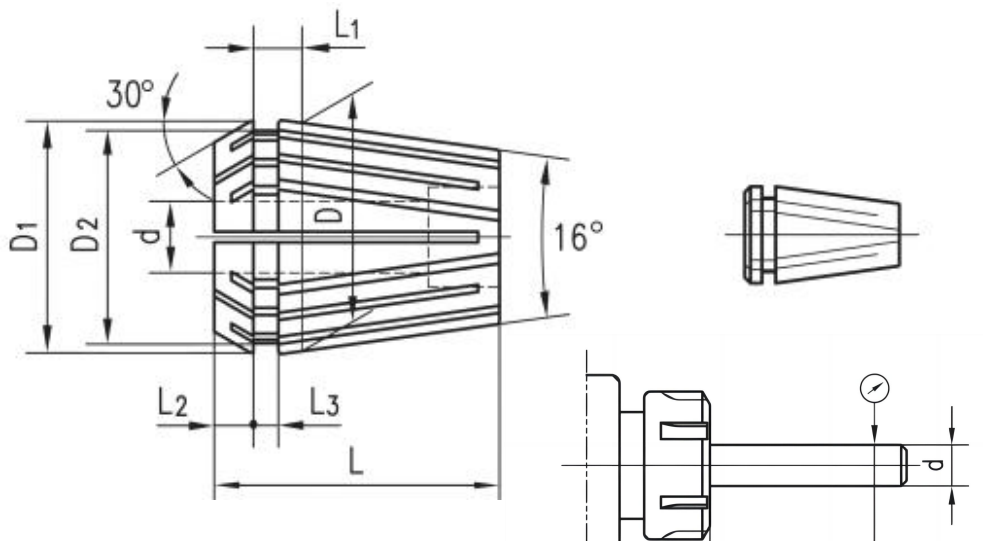
SPARA DESSA INSTRUKTIONER



MODELL: R813

Seriennummer	Modell	ANTAL
1	R8-1/2"	1
2	R8-1/4"	1
3	R8-1/8"	1
4	R8-11/16"	1
5	R8-13/16"	1
6	R8-3/16"	1
7	R8-3/4"	1

Seriennummer	Modell	ANTAL
8	R8-3/8"	1
9	R8-5/16"	1
10	R8-5/8"	1
11	R8-7/16"	1
12	R8-7/8"	1
13	R8-9/16"	1



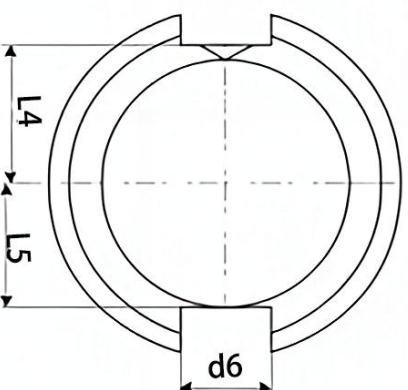
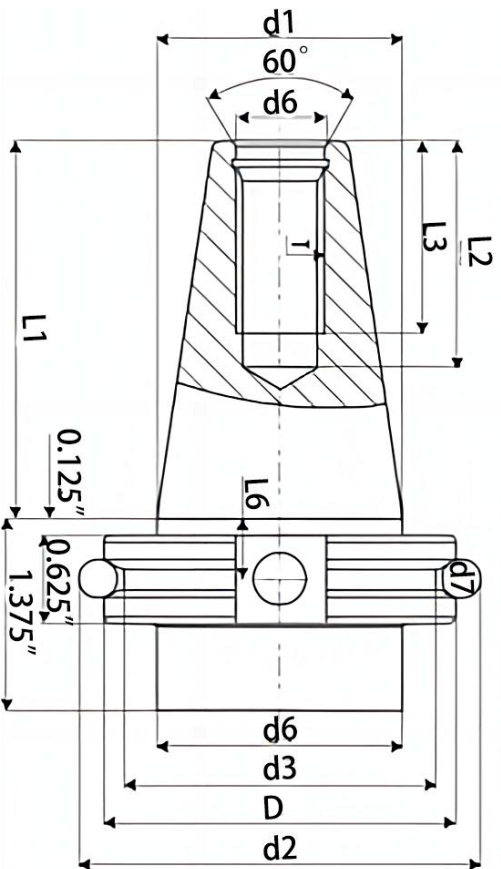
mm							
Model	D	D1	D2	L	L1	L2	L3
ER8	8	8.45	6.5	13.5	2.98	1.5	1.2
ER11	11	11.5	9.5	18.0	3.8	2.5	2.0
ER16	16	17	13.8	27.5	6.26	4.0	2.7
	16	17	13.8	27.5	6.26	4.0	2.7
ER20	20	21	17.4	31.5	6.36	4.8	2.8
	20	21	17.4	31.5	6.36	4.8	2.8
ER25	25	26	22.0	34.0	6.66	5.0	3.1
	25	26	22.0	34.0	6.66	5.0	3.1
ER32	32	33	29.2	40.0	7.16	5.5	3.6
	32	33	29.2	40.0	7.16	5.5	3.6
ER40	40	41	36.2	46.0	7.66	7.0	4.1
ER50	50	52	46.0	60.0	12.6	8.5	5.5
	50	52	46.0	60.0	12.6	8.5	5.5

MODELL: ER3225

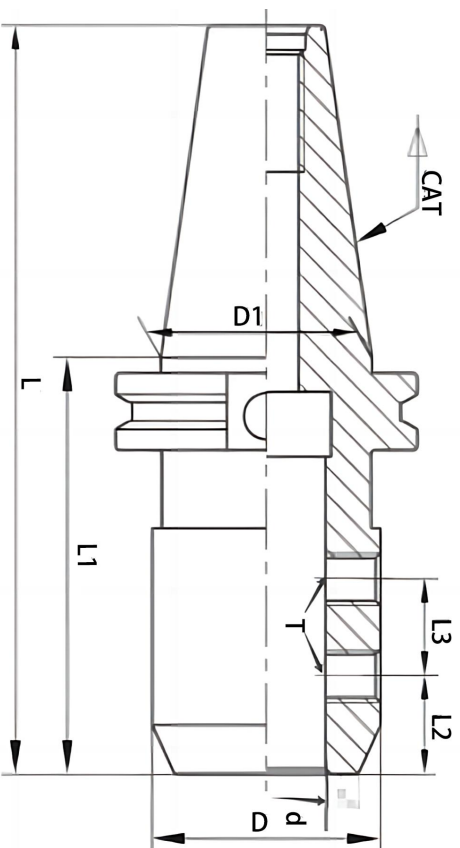
Seriennummer	Modell	ANTAL	Seriennummer	Modell	ANTAL
--------------	--------	-------	--------------	--------	-------

1	ER32-1/16	1
2	ER32-1/2"	1
3	ER32-1/4"	1
4	ER32-1/8"	1
5	ER32-11/16"	1
6	ER32-11/32"	1
7	ER32-13/16"	1
8	ER32-13/32"	1
9	ER32-15/32"	1
10	ER32-17/32"	1
11	ER32-19/32"	1
12	ER32-21/32"	1
13	ER32-23/32"	1

14	ER32-25/32"	1
15	ER32-3/16"	1
16	ER32-3/32"	1
17	ER32-3/4"	1
18	ER32-3/8"	1
19	ER32-5/16"	1
20	ER32-5/32"	1
21	ER32-5/8"	1
22	ER32-7/16"	1
23	ER32-7/32"	1
24	ER32-9/16"	1
25	ER32-9/32"	1

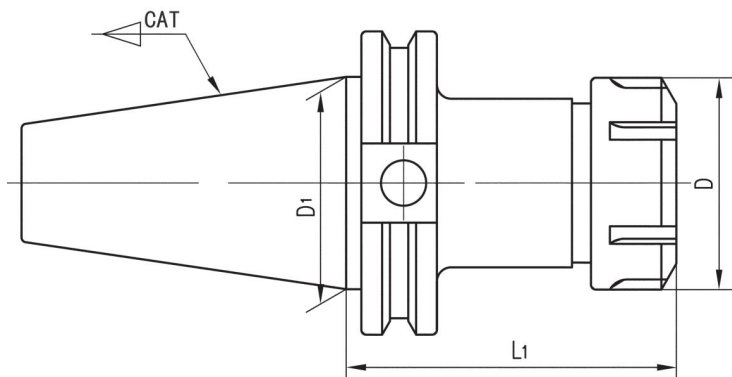


Type	D	d1	d2	d3	d4	d5	d6	d7	L1	L2	L3	L4	L5	L6	T
CAT30	1.812	1.250	2.176	1.531	1.250	0.516	0.645	0.2813	1.875	1.00	0.188	0.735	0.640	0.440	0.500-13
CAT40	2.900	1.750	2.863	2.219	1.750	0.641	0.645	0.2813	2.687	1.12	0.188	0.985	0.890	0.440	0.625-11
CAT45	3.250	2.250	2.969	2.969	2.250	0.766	0.770	0.2813	3.250	1.50	0.188	1.235	1.140	0.440	0.750-10
CAT50	3.875	2.750	3.594	3.594	2.750	1.031	1.020	0.2813	4.000	1.75	0.250	1.485	1.390	0.440	1.000-8



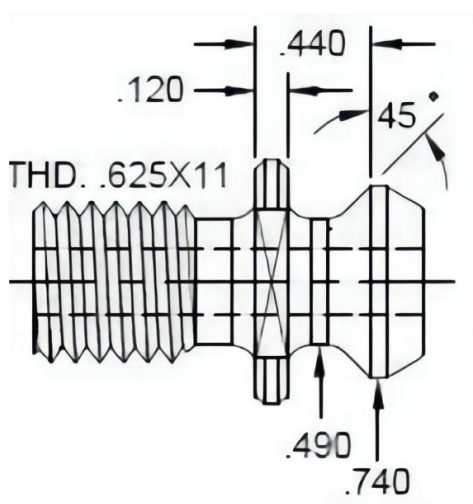
inch/mm

Model	L	L2	L3	d	D	D1	T
CAT40-SLN1/4 "-2-1/2"	131.75	16		6.35	27		M5
CAT40-SLN3/8 "-2-1/2"	131.75	19		9.525	32		M8
CAT40-SLN1/2 "-2-1/2"	131.75	22		12.7	35	44.45	M10
CAT40-SLN5/8 "-3"	144.45	23		15.875	41		M12
CAT40-SLN3/4 "-3"	144.45	25		19.05	44.5		M16
CAT40-SLN1 "-4"	169.85	28	25.4	25.4	55		M16



inch/mm

CAT X ER-L1	D	D1
CT40×ER16-2.76"	28	44.45
CAT40×ER16-4.00"	28	44.45
CAT40×ER16-6.00"	28	44.45
CAT40×ER32-2.76"	50	44.45
CAT40×ER32-4.00"	50	44.45
CAT40×ER32-6.00"	50	44.45



MODELL: CAT4035

Serienummer	Modell	ANTAL
1	CAT40-SLN-5/8" -3	1
2	CAT40-SLN-3/8"-2,5	1
3	CAT40-SLN-3/4"-3	1
4	CAT40-SLN-1/4"-2,5	1
5	CAT40-SLN-1/2"-2,5	1
6	CAT40-SLN-1" -4"	1
7	CAT40-FMB-1"-2,06"	1
8	CAT40-ER32-2,76"	3
9	CAT40-ER16-2,76"	2
10	CAT40-APU-13	1
11	ER32-1/8"	1
12	ER32-3/16"	1
13	ER32-7/32"	1
14	ER32-1/4"	1
15	ER32-5/16"	1
16	ER32-3/8"	1
17	ER32-7/16"	1
18	ER32-1/2"	1

Serienummer	Modell	ANTAL
19	ER32-9/16"	1
20	ER32-5/8"	1
21	ER32-11/16"	1
22	ER32-3/4"	1
23	ER16-1/32"	1
24	ER16-1/16"	1
25	ER16-3/32"	1
26	ER16-1/8"	1
27	ER16-3/16"	1
28	ER16-7/32"	1
29	ER16-1/4"	1
30	ER16-5/16"	1
31	ER16-11/32"	1
32	ER16-3/8"	1
33	CAT40 Dragstift	10
34	ER32 Skiftnyckel	1
35	ER16A Skiftnyckel	1
36	APU13 Skiftnyckel	1

MODELL: CAT408

Serienummer	Modell	ANTAL
1	CAT40-ER16-70	8

MODELL: CAT405

Serienummer	Modell	ANTAL
1	CAT40-ER32-70	5

MODELL: CAT404

Serienummer	Modell	ANTAL
1	CAT40-ER16-100D	4

MODELL: CAT40APU13

Serienummer	Modell	ANTAL
1	CAT40-APU13-100D	1
2	CAT40 Dragstift	1
3	APU13 Skiftnyckel	1

Adress: Baoshanqu Shuangchenglu 803long 11hao 1602A-1609shi
Shanghai

Importerad till AUS: SIHAO PTY LTD, 1 ROKEVA STREETEASTWOOD
NSW 2122 Australien

Importerad till USA: Sanven Technology Ltd, Suite 250, 9166 Anaheim
Place, Rancho Cucamonga, CA 91730



SHUNSHUN GmbH
Römeräcker 9 Z2021, 76351
Linkenheim-Hochstetten, Germany



Pooledas Group Ltd
Unit 5 Albert Edward House, The
Pavilions Preston, United Kingdom

Tillverkad i Kina

VEVOR[®]

TOUGH TOOLS, HALF PRICE

Teknisk Support och e-garanticertifikat

www.vevor.com/support