

# **VEVOR<sup>®</sup>**

**TOUGH TOOLS, HALF PRICE**

Technical Support and E-Warranty Certificate

[www.vevor.com/support](http://www.vevor.com/support)

## **DRO DISPLAY USER MANUAL**

**MODEL: YE-150 /YE-200 /YE-300**

We continue to be committed to provide you tools with competitive price. "Save Half", "Half Price" or any other similar expressions used by us only represents an estimate of savings you might benefit from buying certain tools with us compared to the major top brands and does not necessarily mean to cover all categories of tools offered by us. You are kindly reminded to verify carefully when you are placing an order with us if you are actually saving half in comparison with the top major brands.



# VEVOR®

TOUGH TOOLS, HALF PRICE

## DRO DISPLAY

**MODEL:** YE-150 /YE-200 /YE-300



### **NEED HELP? CONTACT US!**

Have product questions? Need technical support? Please feel free to contact us:

**Technical Support and E-Warranty Certificate**  
**[www.vevor.com/support](http://www.vevor.com/support)**

This is the original instruction, please read all manual instructions carefully before operating. VEVOR reserves a clear interpretation of our user manual. The appearance of the product shall be subject to the product you received. Please forgive us that we won't inform you again if there are any technology or software updates on our product.

Dear Users:

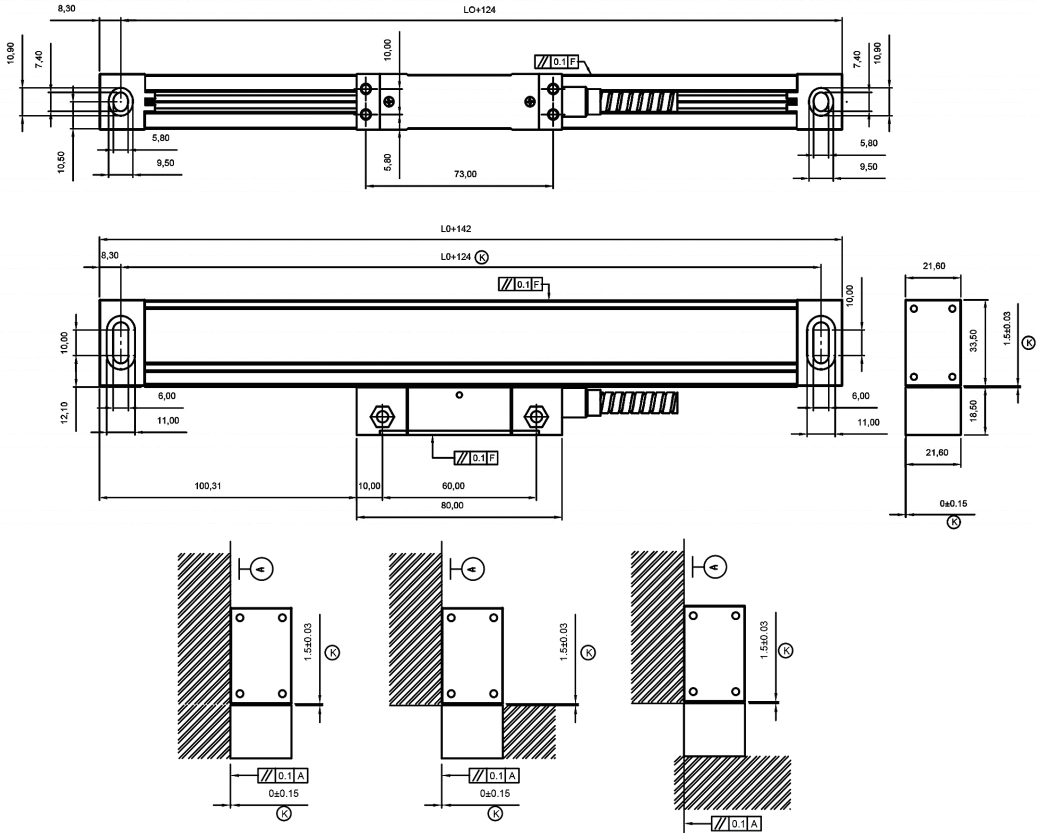
Thank you for purchasing multifunction series digital readouts. Digital readouts are used in a wide variety of application. These include machine tools, infeed axes, measuring and inspection equipment, EDM, dividing apparatuses, setting tools, and measuring stations for production control. In order to meet the requirements of these applications, many encoders can be connected to the digital readouts. Read all the instructions in the manual carefully before used and strictly follow them. Keep the manual for future references.

Safety attention:

- ⌘ To prevent electric shock or fire, moisture or directly sprayed cooling liquid must be avoid. In case of any smoke or peculiar smell from the digital readout, please unplug the power plug immediately, otherwise, fire or electric shock may be caused. In such a case, do not try to repair it, please contact the Company or distributors.
- ⌘ Digital readout is a precise measuring device used with an optical Linear Scale. When it is in use, if the connection between the Linear Scale and the digital readout is broken or damaged externally, incorrect measuring values may be resulted. Therefore, the user should be careful.
- ⌘ Do not try to repair or modify the digital readout, otherwise, failure, fault or injury may occur. In case of any abnormal condition, please contact the Company or distributor.
- ⌘ If the optical Linear Scale used with the digital readout is damaged, do not use a Linear Scale of other brand. Because the performance, specification and connection of the products of different and can not be connected without the instruction of specialized technical personnel, otherwise, trouble will be caused to the digital readout.
- ⌘ With the continuous updating of products, if there are changes or changes to the sample parameters, the random files shall prevail, and the company has the final interpretation right without notice.



# Installation method:



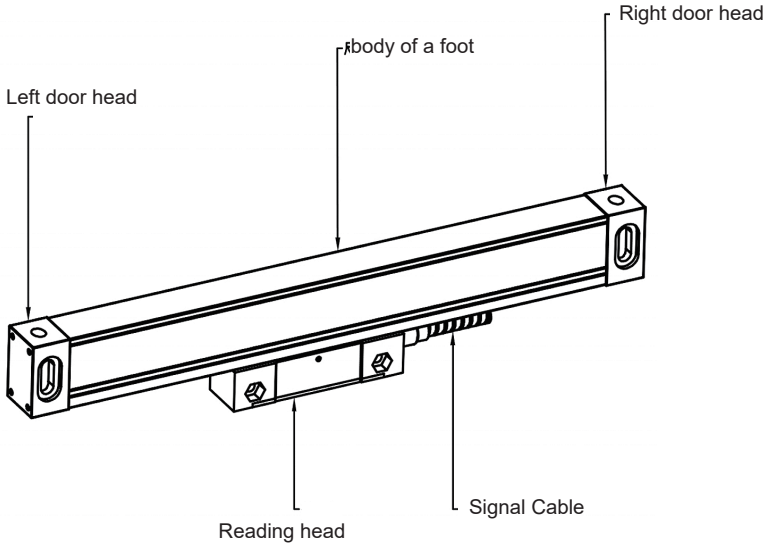
## Standard size: (Unit:mm)

| Model  | L0  | L1  | L2  | Model   | L0   | L1   | L2   |
|--------|-----|-----|-----|---------|------|------|------|
| YE-50  | 50  | 174 | 190 | YE-550  | 550  | 674  | 690  |
| YE-100 | 100 | 224 | 240 | YE-600  | 600  | 724  | 740  |
| YE-150 | 150 | 274 | 290 | YE-650  | 650  | 774  | 790  |
| YE-200 | 200 | 324 | 340 | YE-700  | 700  | 824  | 840  |
| YE-250 | 250 | 374 | 390 | YE-750  | 750  | 874  | 890  |
| YE-300 | 300 | 424 | 440 | YE-800  | 800  | 924  | 940  |
| YE-350 | 350 | 474 | 490 | YE-850  | 850  | 974  | 990  |
| YE-400 | 400 | 524 | 540 | YE-900  | 900  | 1024 | 1040 |
| YE-450 | 450 | 574 | 590 | YE-950  | 950  | 1074 | 1090 |
| YE-500 | 500 | 624 | 640 | YE-1000 | 1000 | 1124 | 1140 |

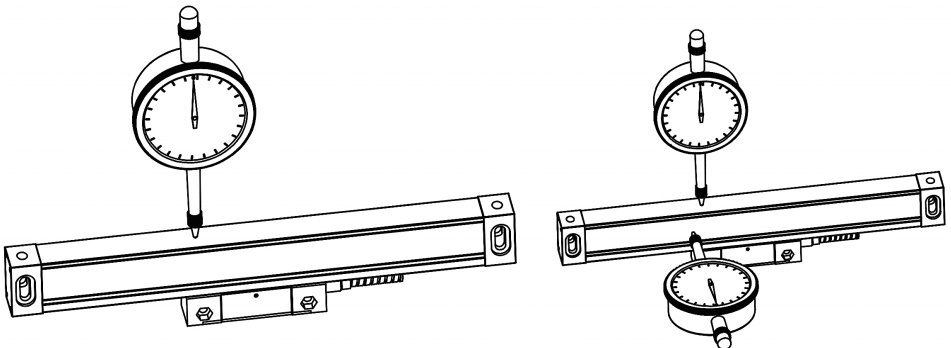
L0: Effective measuring length of the linear encoder; L1: Length of linear encoder mounting holes; L2: Linear encoder overall length

# Maintenance:

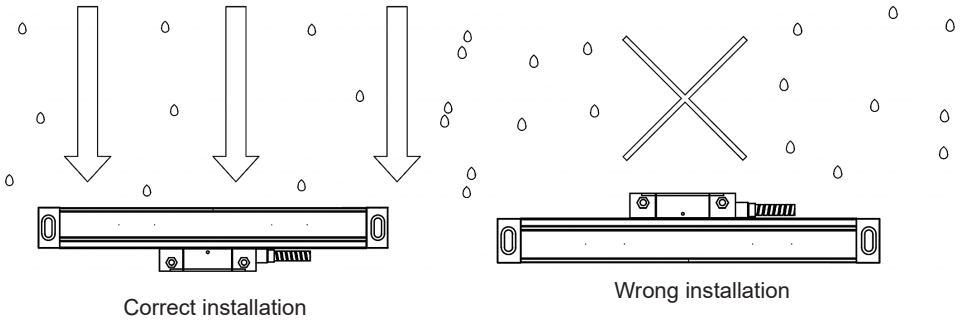
1. The effective travel of the linear encoder should be longer than the maximum travel of the machine tool. If the length is not enough, replace the linear encoder with a larger stroke or add a limit block on the machines. The end position of the reading head from the end of the linear encoder body should be not less than 10mm space, (see the following diagram).



2. For any non-machined surface, a shim must be placed on the back of the linear encoder or a user-made installation shim must be used to ensure the stability and reliability of the connection between the grating ruler and the mounting surface.
3. When using a dial gauge or similar instrument to calibrate the parallelism of the linear encoder, the angle of the side head must be within  $\pm 30$  degrees, and the smaller the angle, the better.

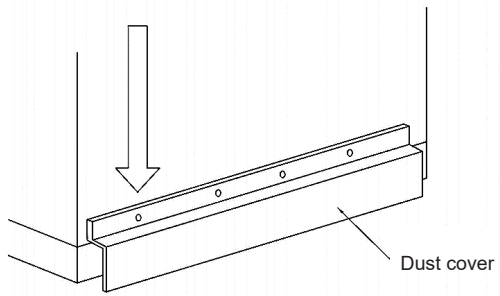
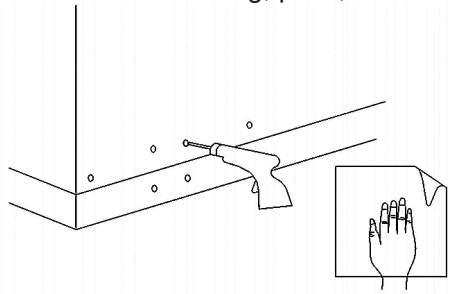


4. The installation position of the linear encoder must avoid direct impact from iron filings, oil, water, and dust (as shown in the figure below). The installation length of the L-plate should be as short as possible under possible circumstances, and the force situation of the mounting surface must be taken into consideration.

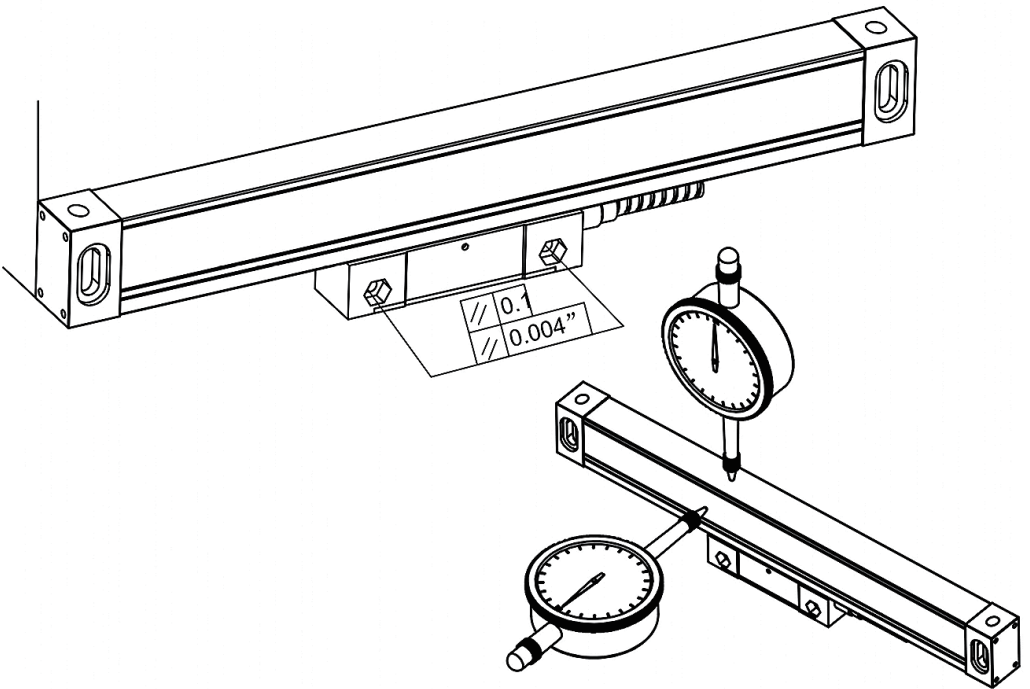


5. There must be a gap of 0.5mm or more between the dust cover and the ruler body, and avoid contact between the dust cover and the ruler body when moving the reading head (as below).

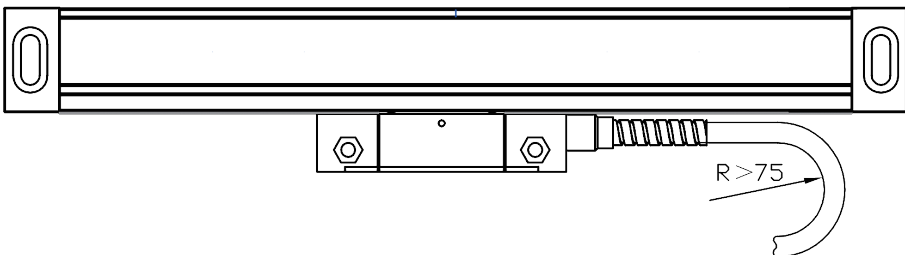
6. Installation screw thread depth, at least must have 6 teeth of locking depth; force greater part, such as supporting the digital display meter shelf fixed plate, must have 8 teeth of locking depth; YE series of scale, the depth of the thread depth of the locking depth. Such as supporting the digital display meter shelf fixed plate, must have more than 8 teeth locking depth; YE series scale With M4 screws installed mounting surface tapping after surface deburring, paint, stain removal. (The following figure)



7. The fixing of the signal line must take into account all relevant moving distances. Fixing position as far as possible placed in the very center of the stroke, and the excess signal line is fixed with a wire tie.
8. Adjustment of the scale height level must be the length of the scale center to take the two sides of the symmetry point Do adjust the reference point, any scale regardless of the school level direction or height direction, the Adjustment range: for the scale body, to the head from the scale body at a distance of not more than 20mm from each end shall prevail. For the reading head, between the two quadrilateral reference surfaces (the following figure)



9. The bending radius of the signal line of the scale is greater than 60mm.



## 10. Scale installation standard

### (1) Installation base surface standard (Figure 4.8a.b.c three installation methods)

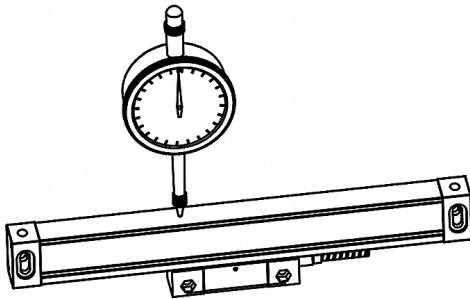
- 1.The installation surface of the ruler body is parallel to the installation surface of the reading head, and the parallelism between the installation surfaces is  $<0.1\text{mm}$
- 2.The installation surface of the ruler body is perpendicular to the installation surface of the reading head, and the perpendicularity between the installation surfaces is  $<0.1\text{mm}$

### 2) Ruler body installation standards (Figure 4.9, Figure 4.10)

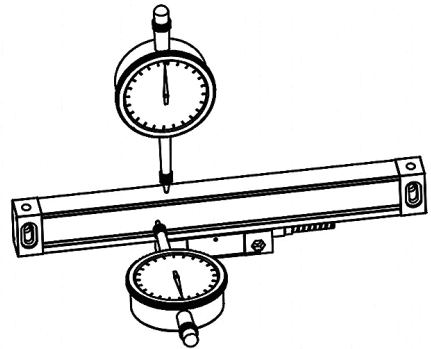
1. Height direction relative to the machine guide parallelism  $<0.1\text{mm}$ , maximum not more than  $0.15\text{mm}$  In terms of symmetry point, the smaller the better.

### 3) Standard of reading head installation

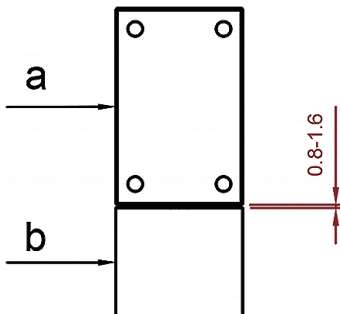
- 1.The clearance between the reading head and the height direction of the ruler body is  $0.8\text{mm}-1.6\text{mm}$  after installation, and then withdraw the pad block (Figure 4.11)



4.9



4.10



2. Reading head a side and ruler body B side. Misalignment in horizontal direction.  $0.25\pm 0.15\text{mm}$

3. Parallelism of reading head relative to machine tool  $<0.10\text{mm}$ , maximum cannot exceed  $0.30\text{mm}$

This device complies with Part 15 of the FCC Rules. Operation is subject to the following two conditions: (1) This device may not cause harmful interference, and (2) this device must accept any interference received, including interference that may cause undesired operation.



**ÉLÉMENTS D'EMBALLAGE  
À SÉPARER ET À DÉPOSER  
DANS LE BAC DE TRI**

A black and white icon of a recycling bin with a lid and wheels. The words "BAC DE TRI" are printed vertically on the front of the bin.

**Manufacturer:** Shanghaimuxinmuyeyouxiangongsi

**Address:** Shuangchenglu 803nong11hao1602A-1609shi, baoshanqu, shanghai 200000 CN.

**Imported to AUS:** SIHAO PTY LTD, 1 ROKEVA STREET EASTWOOD NSW 2122 Australia

**Imported to USA:** Sanven Technology Ltd., Suite 250, 9166 Anaheim Place, Rancho Cucamonga, CA 91730

|           |            |
|-----------|------------|
| <b>EC</b> | <b>REP</b> |
|-----------|------------|

E-CrossStu GmbH  
Mainzer Landstr.69, 60329 Frankfurt am Main.

|           |            |
|-----------|------------|
| <b>UK</b> | <b>REP</b> |
|-----------|------------|

YH CONSULTING LIMITED.  
C/O YH Consulting Limited Office 147, Centurion House,  
London Road, Staines-upon-Thames, Surrey, TW18 4AX



**VEVOR<sup>®</sup>**

**TOUGH TOOLS, HALF PRICE**

Technical Support and E-Warranty Certificate  
[www.vevor.com/support](http://www.vevor.com/support)



# **VEVOR<sup>®</sup>**

**TOUGH TOOLS, HALF PRICE**

Technical Support and E-Warranty Certificate

[www.vevor.com/support](http://www.vevor.com/support)

## **DRO DISPLAY USER MANUAL**

**MODEL: YE-150 /YE-200 /YE-300**

We continue to be committed to provide you tools with competitive price.

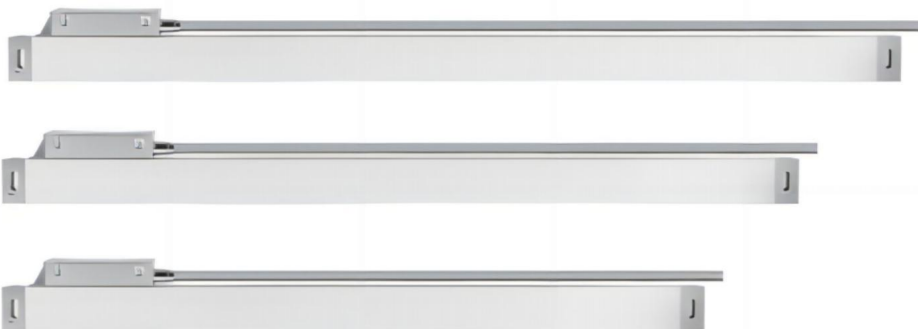
"Save Half", "Half Price" or any other similar expressions used by us only represents an estimate of savings you might benefit from buying certain tools with us compared to the major top brands and does not necessarily mean to cover all categories of tools offered by us. You are kindly reminded to verify carefully when you are placing an order with us if you are actually saving half in comparison with the top major brands.



**VEVOR**<sup>®</sup>  
TOUGH TOOLS, HALF PRICE

**DRO DISPLAY**

**MODEL:** YE-150 /YE-200 /YE-300



### BESOIN D'AIDE? CONTACTEZ-NOUS!

Vous avez des questions sur nos produits ? Vous avez besoin d'assistance technique ?  
N'hésitez pas

à nous contacter : Assistance technique et certificat de garantie  
électronique [www.vevor.com/support](http://www.vevor.com/support)

Il s'agit de la notice d'utilisation d'origine. Veuillez lire attentivement toutes les instructions du manuel avant de l'utiliser. VEVOR se réserve le droit d'interpréter clairement notre manuel d'utilisation. L'apparence du produit dépend du produit que vous avez reçu. Veuillez nous excuser, nous ne vous informerons plus en cas de mise à jour technologique ou logicielle de notre produit.

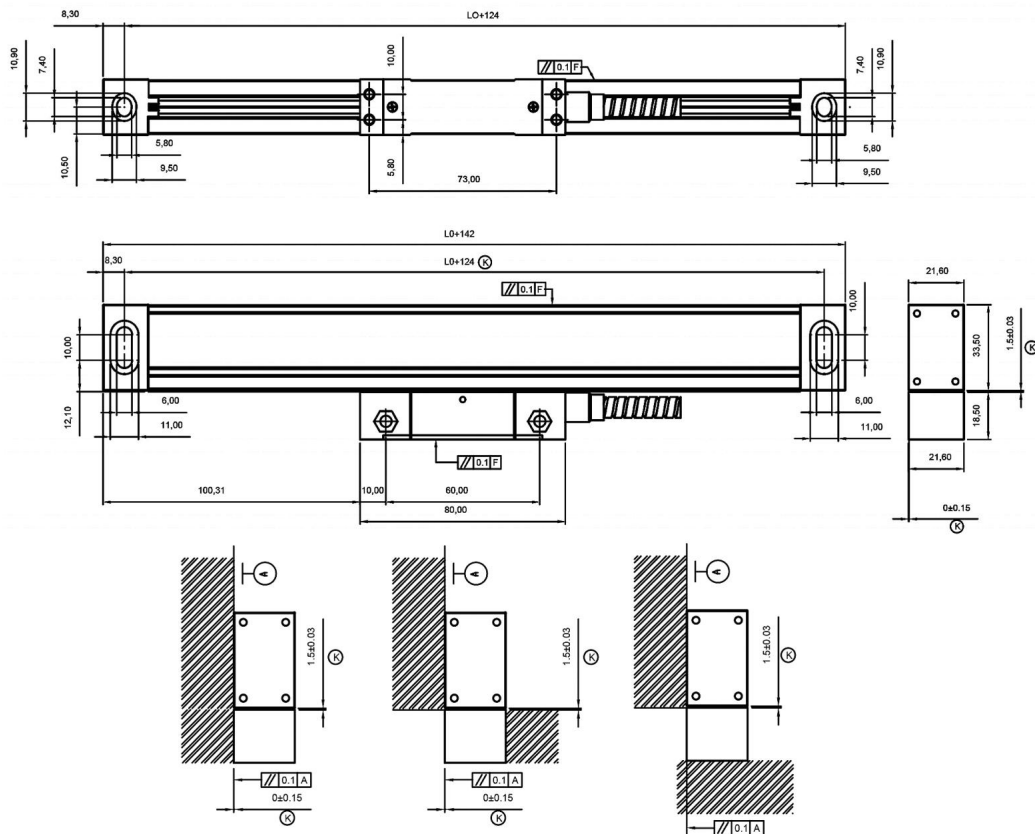
Dear Users:

Thank you for purchasing multifunction series digital readouts. Digital readouts are used in a wide variety of application. These include machine tools, infeed axes, measuring and inspection equipment, EDM, dividing apparatuses, setting tools, and measuring stations for production control. In order to meet the requirements of these applications, many encoders can be connected to the digital readouts. Read all the instructions in the manual carefully before used and strictly follow them. Keep the manual for future references.

Safety attention:

- ⌘ To prevent electric shock or fire, moisture or directly sprayed cooling liquid must be avoid. In case of any smoke or peculiar smell from the digital readout, please unplug the power plug immediately, otherwise, fire or electric shock may be caused. In such a case, do not try to repair it, please contact the Company or distributors.
- ⌘ Digital readout is a precise measuring device used with an optical Linear Scale. When it is in use, if the connection between the Linear Scale and the digital readout is broken or damaged externally, incorrect measuring values may be resulted. Therefore, the user should be careful.
- ⌘ Do not try to repair or modify the digital readout, otherwise, failure, fault or injury may occur. In case of any abnormal condition, please contact the Company or distributor.
- ⌘ If the optical Linear Scale used with the digital readout is damaged, do not use a Linear Scale of other brand. Because the performance, specification and connection of the products of different and can not be connected without the instruction of specialized technical personnel, otherwise, trouble will be caused to the digital readout.
- ⌘ With the continuous updating of products, if there are changes or changes to the sample parameters, the random files shall prevail, and the company has the final interpretation right without notice.

## Méthode d'installation :



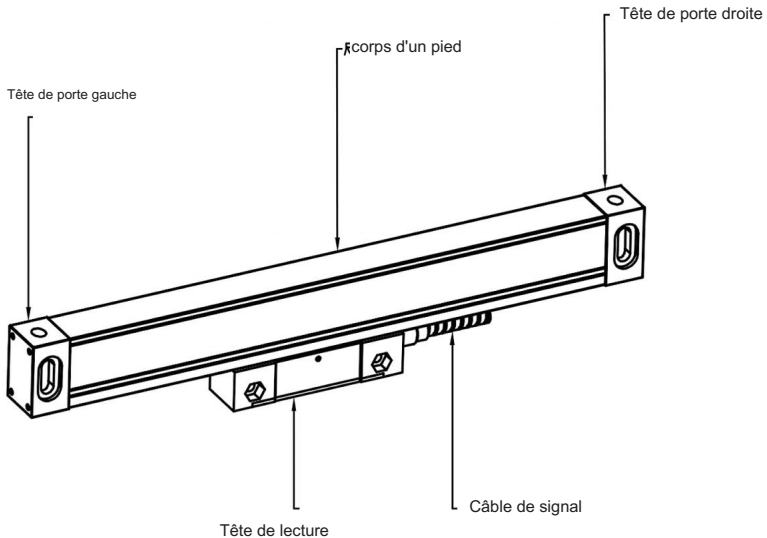
## Taille standard Unitémm

| Modèle |     | L1  | L2  | Modèle  | L0   | L1   | L2   |
|--------|-----|-----|-----|---------|------|------|------|
| YE-50  | 50  | 174 | 190 | YE-550  | 550  | 674  | 690  |
| YE-100 | 100 | 224 | 240 | YE-600  | 600  | 724  | 740  |
| YE-150 | 150 | 274 | 290 | YE-650  | 650  | 774  | 790  |
| YE-200 | 200 | 324 | 340 | YE-700  | 700  | 824  | 840  |
| YE-250 | 250 | 374 | 390 | YE-750  | 750  | 874  | 890  |
| YE-300 | 300 | 424 | 440 | YE-800  | 800  | 924  | 940  |
| YE-350 | 350 | 474 | 490 | YE-850  | 850  | 974  | 990  |
| YE-400 | 400 | 524 | 540 | YE-900  | 900  | 1024 | 1040 |
| YE-450 | 450 | 574 | 590 | YE-950  | 950  | 1074 | 1090 |
| YE-500 | 500 | 624 | 640 | YE-1000 | 1000 | 1124 | 1140 |

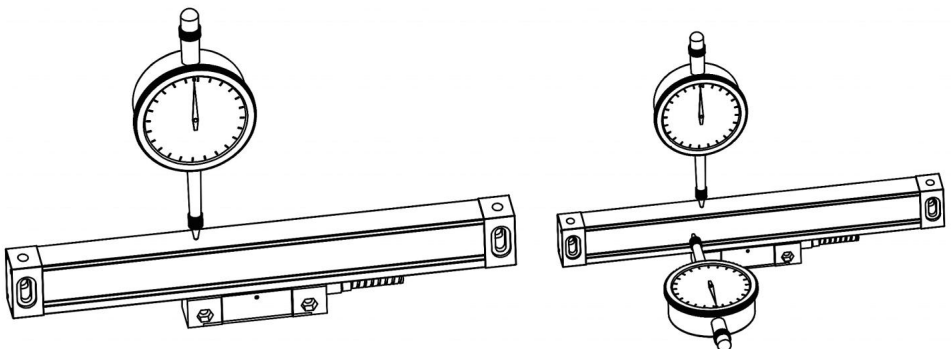
L0 : Longueur de mesure effective du codeur linéaire ; L1 : Longueur des trous de montage du codeur linéaire ; L2 : Longueur totale du codeur linéaire

## Entretien:

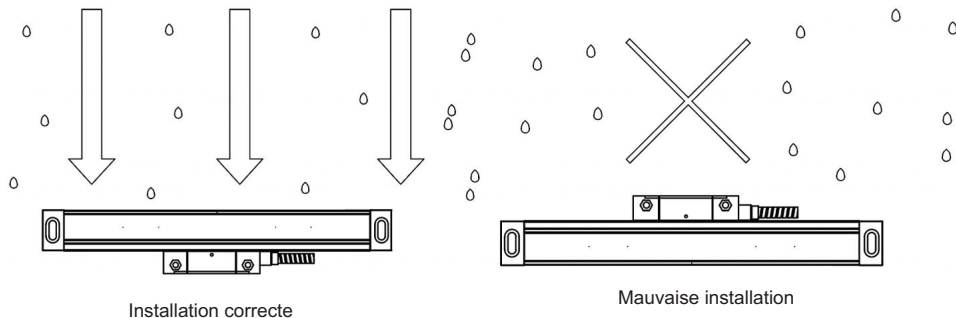
1. La course effective du codeur linéaire doit être supérieure à la course maximale déplacement de la machine-outil. Si la longueur n'est pas suffisante, remplacez le codeur linéaire par une course plus grande ou ajoutez un bloc de fin de course sur les machines. La position finale de la tête de lecture par rapport à l'extrémité du corps du codeur linéaire ne doit pas être inférieure à 10 mm (voir le schéma suivant).



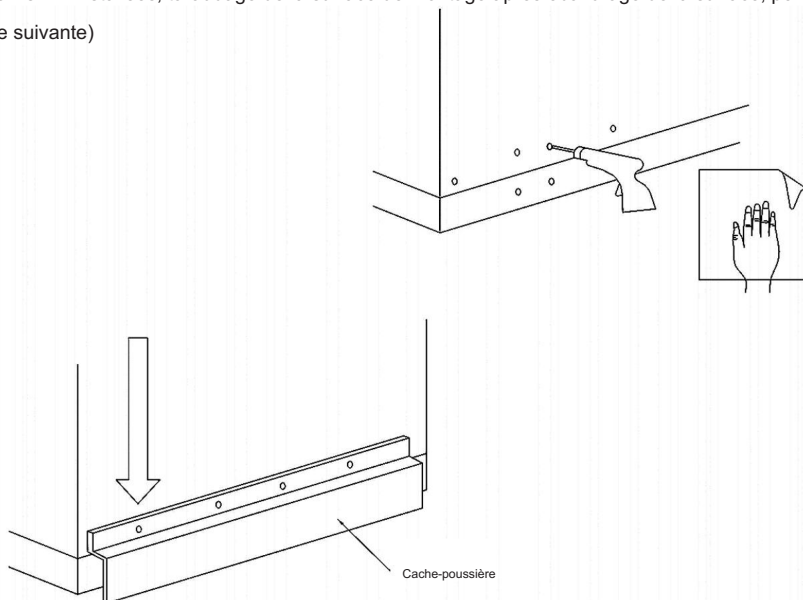
2. Pour toute surface non usinée, une cale doit être placée à l'arrière du codeur linéaire ou une cale d'installation fabriquée par l'utilisateur doit être utilisée pour assurer la stabilité et la fiabilité de la connexion entre la règle de réseau et la surface de montage.
3. Lorsque vous utilisez un comparateur à cadran ou un instrument similaire pour étalonner le parallélisme du codeur linéaire, l'angle de la tête latérale doit être compris entre  $\pm 30$  degrés, et plus l'angle est petit, mieux c'est.



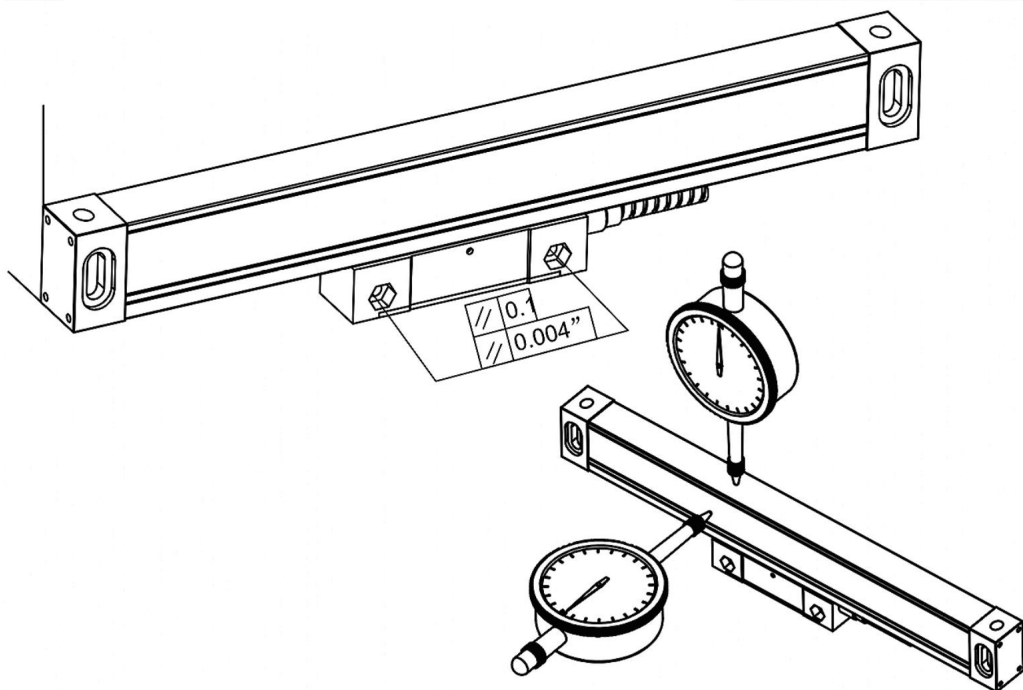
4. La position d'installation du codeur linéaire doit éviter tout impact direct de limaille de fer, d'huile, d'eau et de poussière (comme indiqué sur la figure ci-dessous). La longueur d'installation de la plaque en L doit être aussi courte que possible dans les circonstances possibles et la situation de force de la surface de montage doit être prise en compte.



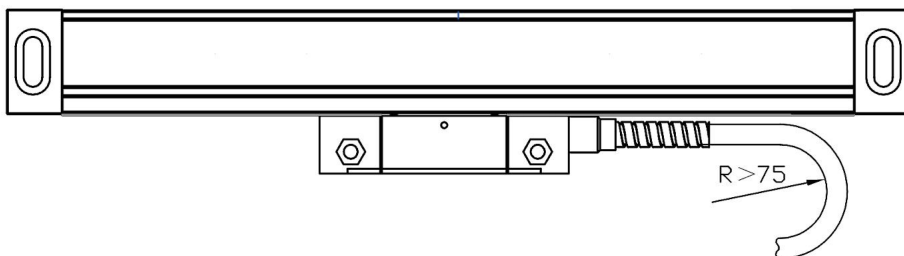
5. Il doit y avoir un espace de 0,5 mm ou plus entre le cache-poussière et le corps de la règle, et éviter tout contact entre le cache-poussière et le corps de la règle lors du déplacement de la tête de lecture (comme ci-dessous).
6. Profondeur du filetage de la vis d'installation, doit avoir au moins 6 dents de profondeur de verrouillage ; La plus grande partie de la force, comme le support de la plaque fixe de l'étagère du compteur d'affichage numérique, doit avoir 8 dents de profondeur de verrouillage; Série YE d'échelle, la profondeur de la profondeur de filetage de la profondeur de verrouillage. Comme le support de la plaque fixe de l'étagère du compteur d'affichage numérique, doit avoir plus de 8 dents de profondeur de verrouillage; Échelle de la série YE Avec des vis M4 installées, taraudage de la surface de montage après ébavurage de la surface, peinture, élimination d' (La figure suivante)



7. La fixation de la ligne de signalisation doit tenir compte de toutes les distances de déplacement pertinentes. Position de fixation placée autant que possible au centre même de la course, et la ligne de signal en excès est fixée avec un lien métallique.
8. Le réglage de la hauteur de l'échelle doit être la longueur du centre de l'échelle pour prendre les deux côtés du point de symétrie. Pour ajuster le point de référence, quelle que soit l'échelle, quelle que soit la direction du niveau scolaire ou de la hauteur, la plage de réglage : pour le corps de l'échelle, à la tête du corps de l'échelle à une distance ne dépassant pas 20 mm de chaque extrémité doit prévaloir. Pour la tête de lecture, entre les deux surfaces de référence quadrilatérales (la figure suivante)



9. Le rayon de courbure de la ligne de signal de la balance est supérieur à 60 mm.





## 10. Norme d'installation de la balance

### (1) Norme de surface de base d'installation (Figure 4.8abc trois méthodes d'installation)

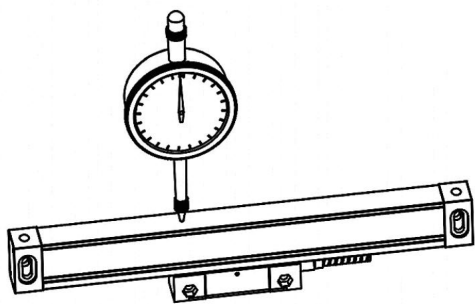
1. La surface d'installation du corps de la règle est parallèle à la surface d'installation de la tête de lecture et le parallélisme entre les surfaces d'installation est  $< 0,1$  mm
2. La surface d'installation du corps de la règle est perpendiculaire à l'installation surface de la tête de lecture et la perpendicularité entre les surfaces d'installation est  $< 0,1$  mm

### 2) Normes d'installation du corps de règle (Figure 4.9, Figure 4.10)

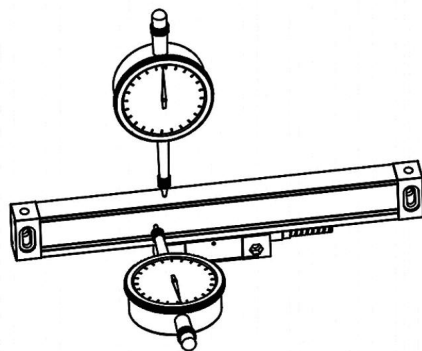
1. Sens de hauteur par rapport au parallélisme du guide de la machine  $< 0,1$  mm, maximum ne dépassant pas  $0,15$  mm En termes de point de symétrie, plus il est petit, mieux c'est.

### 3) Norme d'installation de la tête de lecture

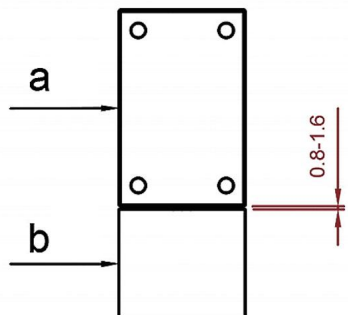
1. L'espace entre la tête de lecture et la direction de la hauteur du corps de la règle est de  $0,8$  mm à  $1,6$  mm après l'installation, puis retirez le bloc de tampon (Figure 4.11)



4.9



4.10



2. Tête de lecture côté A et corps de la règle côté B.

Désalignement dans le sens horizontal.

$0,25 \pm 0,15$  mm

3. Parallélisme de la tête de lecture par rapport à machine-outil  $< 0,10$  mm, maximum impossible dépasser  $0,30$  mm

Cet appareil est conforme à la partie 15 des règles de la FCC. Son fonctionnement est soumis aux deux conditions suivantes : (1) Cet appareil ne doit pas provoquer d'interférences nuisibles et (2) Cet appareil doit accepter toute interférence reçue, y compris les interférences pouvant entraîner un fonctionnement indésirable.



**ÉLÉMENTS D'EMBALLAGE  
À SÉPARER ET À DÉPOSER  
DANS LE BAC DE TRI**

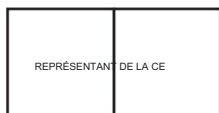


Fabricant : Shanghai muxin muyeyouxiangongsi Adresse :

Shuangchenglu 803nong11hao1602A-1609shi, baoshanqu, shanghai 200000 CN.

Importé en Australie : SIHAO PTY LTD, 1 ROKEVA STREET, ASTWOOD NSW 2122 Australie

Importé aux États-Unis : Sanven Technology Ltd., Suite 250, 9166 Anaheim Place, Rancho Cucamonga, CA 91730



E-CrossStu GmbH

Terre de Mayence t. sr 69, 60329 Francfort-sur-le-Main.



YH CONSULTING LIMITÉE.

C/O YH Consulting Limited Bureau 147, Centurion House,  
Route de Londres, Staines-upon-Thames, Surrey, TW18 4AX



**VEVOR<sup>®</sup>**

**TOUGH TOOLS, HALF PRICE**

Assistance technique et certificat de garantie  
électronique [www.vevor.com/support](http://www.vevor.com/support)

# **VEVOR<sup>®</sup>**

## **TOUGH TOOLS, HALF PRICE**

Technical Support and E-Warranty Certificate

[www.vevor.com/support](http://www.vevor.com/support)

## **DRO DISPLAY USER MANUAL**

**MODEL: YE-150 /YE-200 /YE-300**

We continue to be committed to provide you tools with competitive price.

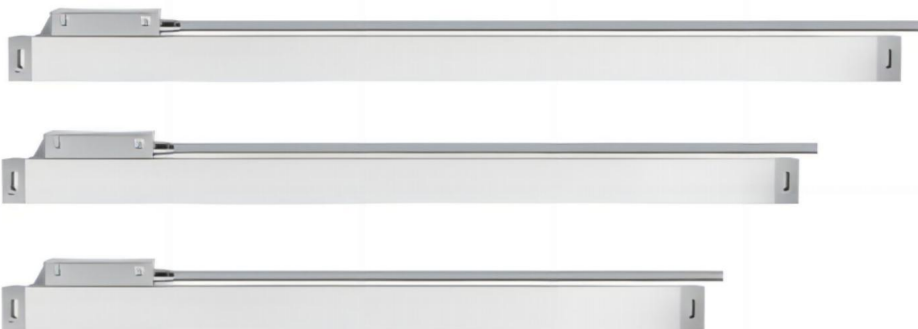
"Save Half", "Half Price" or any other similar expressions used by us only represents an estimate of savings you might benefit from buying certain tools with us compared to the major top brands and does not necessarily mean to cover all categories of tools offered by us. You are kindly reminded to verify carefully when you are placing an order with us if you are actually saving half in comparison with the top major brands.



**VEVOR**<sup>®</sup>  
TOUGH TOOLS, HALF PRICE

**DRO DISPLAY**

**MODEL:** YE-150 /YE-200 /YE-300



**Brauchen Sie Hilfe? Kontaktieren Sie uns!**

Haben Sie Fragen zum Produkt? Benötigen Sie technischen Support? Bitte kontaktieren Sie uns:

**Technischer Support und E-Garantie-Zertifikat [www.vevor.com/support](http://www.vevor.com/support)**

Dies ist die Originalanleitung. Bitte lesen Sie alle Anweisungen sorgfältig durch, bevor Sie das Gerät in Betrieb nehmen. VEVOR behält sich eine klare Auslegung unserer Bedienungsanleitung vor. Das Erscheinungsbild des Produkts richtet sich nach dem Produkt, das Sie erhalten haben. Bitte verzeihen Sie uns, dass wir Sie nicht erneut informieren, wenn es Technologie- oder Software-Updates für unser Produkt gibt.

Dear Users:

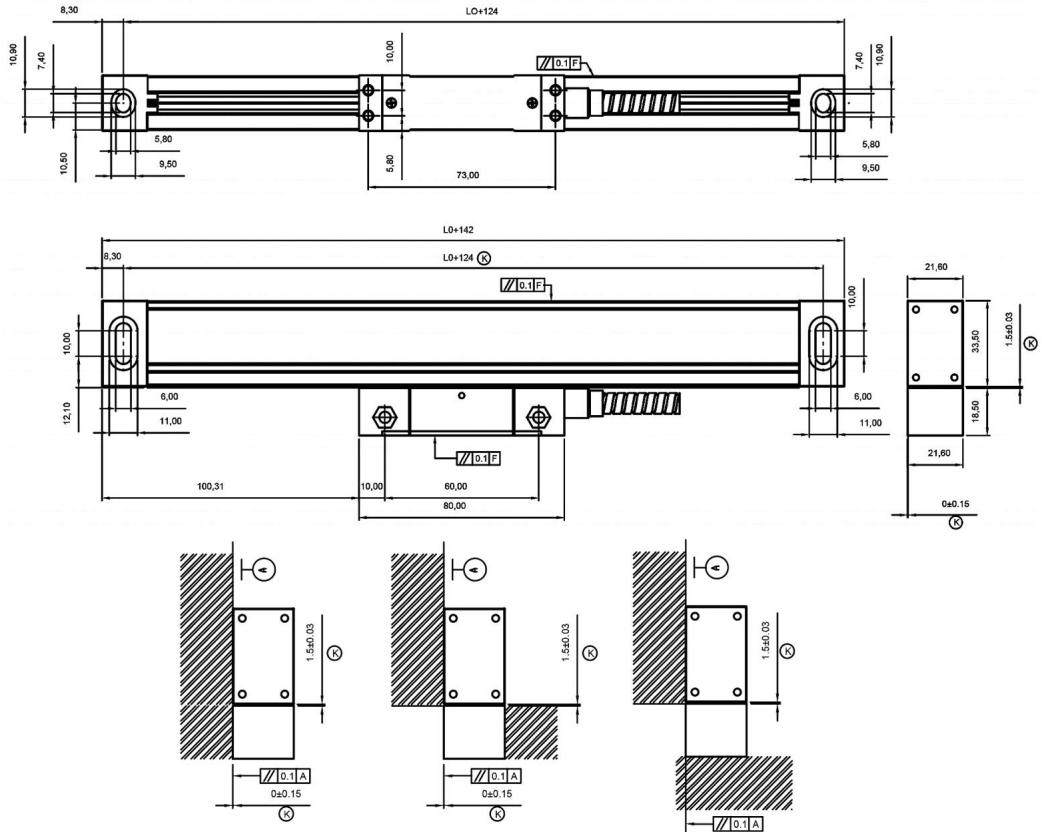
Thank you for purchasing multifunction series digital readouts. Digital readouts are used in a wide variety of application. These include machine tools, infeed axes, measuring and inspection equipment, EDM, dividing apparatuses, setting tools, and measuring stations for production control. In order to meet the requirements of these applications, many encoders can be connected to the digital readouts. Read all the instructions in the manual carefully before used and strictly follow them. Keep the manual for future references.

Safety attention:

- ⌘ To prevent electric shock or fire, moisture or directly sprayed cooling liquid must be avoid. In case of any smoke or peculiar smell from the digital readout, please unplug the power plug immediately, otherwise, fire or electric shock may be caused. In such a case, do not try to repair it, please contact the Company or distributors.
- ⌘ Digital readout is a precise measuring device used with an optical Linear Scale. When it is in use, if the connection between the Linear Scale and the digital readout is broken or damaged externally, incorrect measuring values may be resulted. Therefore, the user should be careful.
- ⌘ Do not try to repair or modify the digital readout, otherwise, failure, fault or injury may occur. In case of any abnormal condition, please contact the Company or distributor.
- ⌘ If the optical Linear Scale used with the digital readout is damaged, do not use a Linear Scale of other brand. Because the performance, specification and connection of the products of different and can not be connected without the instruction of specialized technical personnel, otherwise, trouble will be caused to the digital readout.
- ⌘ With the continuous updating of products, if there are changes or changes to the sample parameters, the random files shall prevail, and the company has the final interpretation right without notice.



# Installationsmethode:



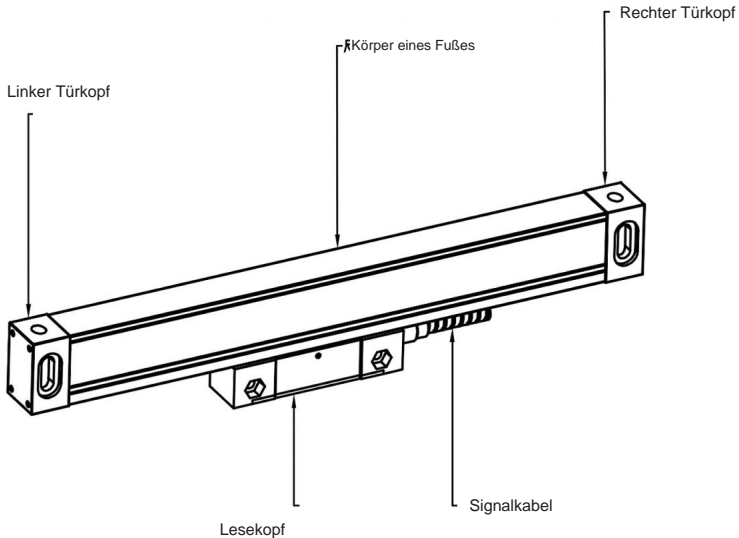
## Standardgröße Einheit mm

| Modell |     | L1  | L2  | Modell  | L0   | L1   | L2   |
|--------|-----|-----|-----|---------|------|------|------|
| YE-50  | 50  | 174 | 190 | YE-550  | 550  | 674  | 690  |
| YE-100 | 100 | 224 | 240 | YE-600  | 600  | 724  | 740  |
| YE-150 | 150 | 274 | 290 | YE-650  | 650  | 774  | 790  |
| YE-200 | 200 | 324 | 340 | YE-700  | 700  | 824  | 840  |
| YE-250 | 250 | 374 | 390 | YE-750  | 750  | 874  | 890  |
| YE-300 | 300 | 424 | 440 | YE-800  | 800  | 924  | 940  |
| YE-350 | 350 | 474 | 490 | YE-850  | 850  | 974  | 990  |
| YE-400 | 400 | 524 | 540 | YE-900  | 900  | 1024 | 1040 |
| YE-450 | 450 | 574 | 590 | YE-950  | 950  | 1074 | 1090 |
| YE-500 | 500 | 624 | 640 | YE-1000 | 1000 | 1124 | 1140 |

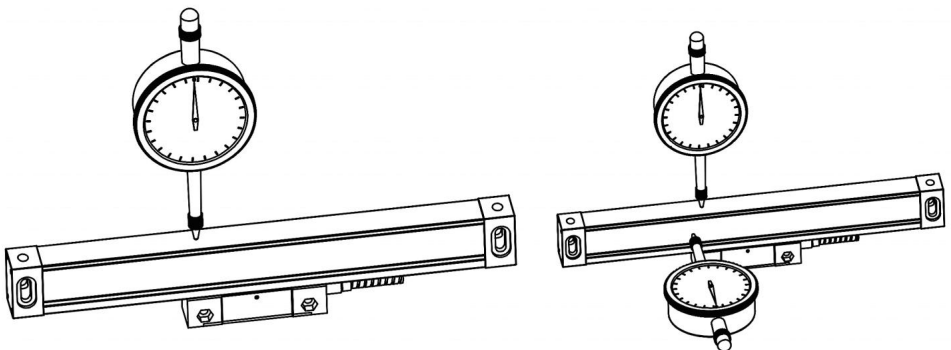
L0: Effektive Messlänge des Linearencoders; L1: Länge der Befestigungslöcher des Linearencoders; L2: Gesamtlänge des Linearencoders

## Wartung:

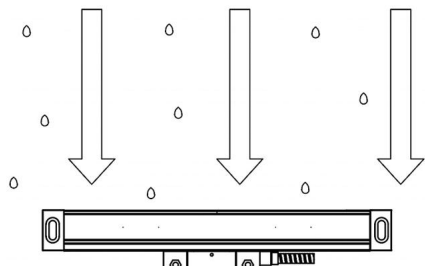
1. Der effektive Weg des Linearencoders sollte länger sein als der maximale Verfahweg der Werkzeugmaschine. Wenn die Länge nicht ausreicht, ersetzen Sie den Lineargeber durch einen mit größerem Hub oder fügen Sie einen Begrenzungsblock an den Maschinen hinzu. Die Endposition des Lesekopfs vom Ende des Lineargeberkörpers sollte mindestens 10 mm Abstand betragen (siehe folgendes Diagramm).



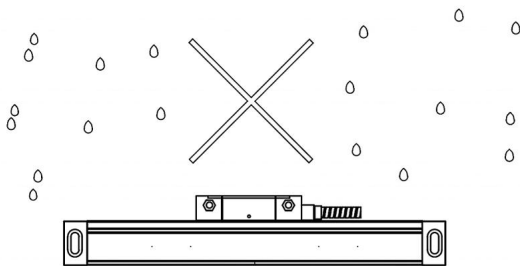
2. Bei jeder nicht bearbeiteten Oberfläche muss auf der Rückseite des Linearencoders eine Unterlegscheibe platziert oder eine benutzerdefinierte Installationsunterlegscheibe verwendet werden, um die Stabilität und Zuverlässigkeit der Verbindung zwischen dem Gitterlineal und der Montagefläche sicherzustellen.
3. Wenn Sie zum Kalibrieren der Parallelität des Linearencoders eine Messuhr oder ein ähnliches Instrument verwenden, muss der Winkel des Seitenkopfes innerhalb von  $\pm 30$  Grad liegen. Je kleiner der Winkel, desto besser.



4. Die Einbauposition des Linearencoders muss direkte Einwirkungen von Eisenspänen, Öl, Wasser und Staub vermeiden (siehe Abbildung unten). Die Einbaulänge der L-Platte sollte unter möglichen Umständen so kurz wie möglich sein, und die Kraftsituation der Montagefläche muss berücksichtigt werden.

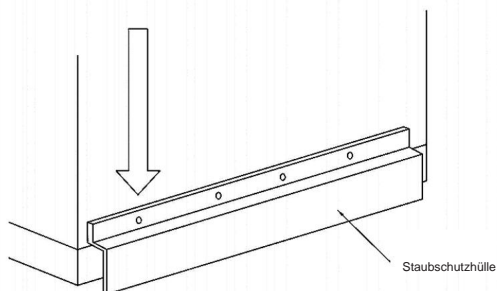
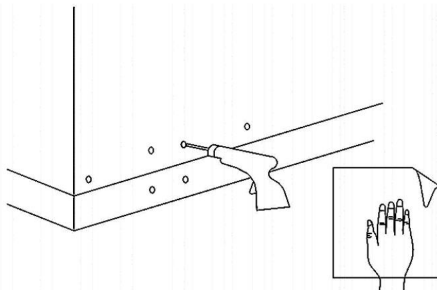


Richtige Installation

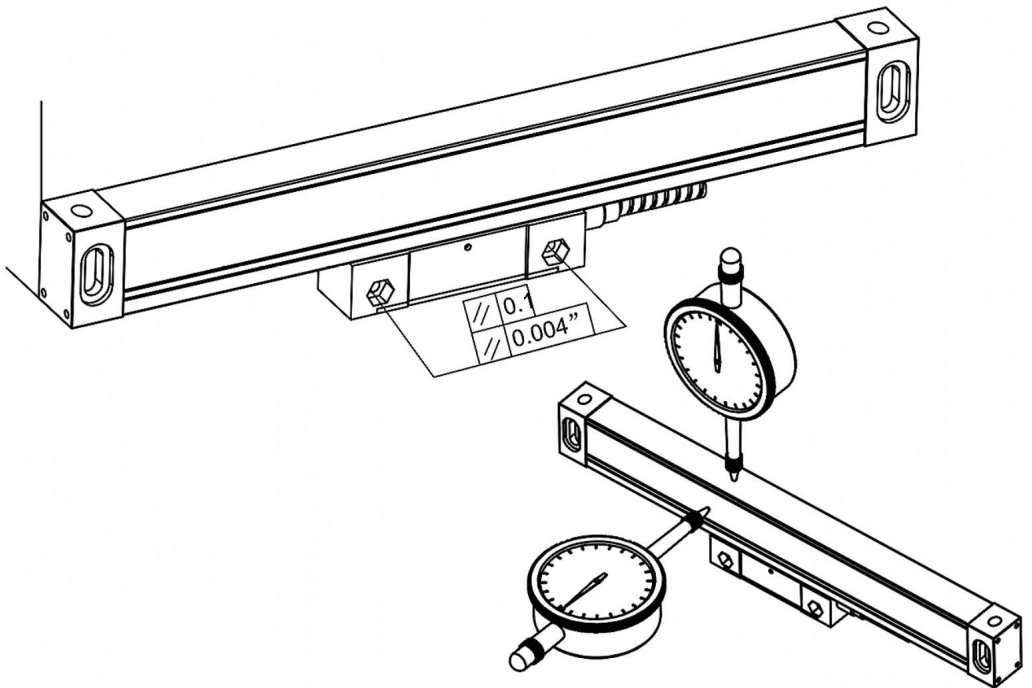


Falsche Installation

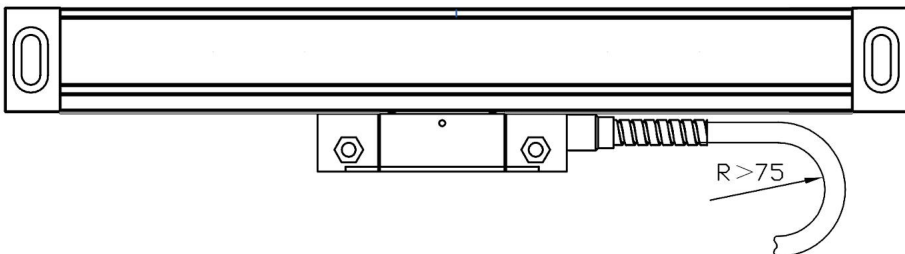
5. Zwischen der Staubschutzabdeckung und dem Linealkörper muss ein Abstand von 0,5 mm oder mehr vorhanden sein. Beim Bewegen des Lesekopfes ist ein Kontakt zwischen der Staubschutzabdeckung und dem Linealkörper zu vermeiden (siehe unten).
6. Die Gewindetiefe der Installationsschraube muss mindestens 6 Zähne Sperrtiefe aufweisen; Teile mit größerer Kraft, wie z. B. die feste Platte zur Unterstützung der Digitalanzeige, müssen eine Verriegelungstiefe von 8 Zähnen aufweisen; Skala der YE-Serie, die Tiefe des Gewindes der Verriegelungstiefe. Teile mit größerer Kraft, wie z. B. die feste Platte zur Unterstützung der Digitalanzeige, müssen eine Verriegelungstiefe von mehr als 8 Zähnen aufweisen; Skala der YE-Serie mit M4-Schrauben, die nach dem Entgraten, Lackieren und Entfernen von Flecken mit Gewinde versehen sind.
- (Die folgende Abbildung)



7. Bei der Befestigung der Signalleitung müssen alle relevanten Bewegungsdistanzen berücksichtigt werden.  
Die Befestigungsstelle wird möglichst in der Mitte des Hubes platziert und die überschüssige Signalleitung mit einem Kabelbinder fixiert.
8. Die Höheneinstellung der Skala muss so erfolgen, dass die Länge der Skalenmitte die Symmetriepunkte auf beiden Seiten des Skalenmittelpunkts erreicht. Stellen Sie den Referenzpunkt ein. Unabhängig von der Höhen- oder Niveaurichtung jeder Skala gilt der Einstellbereich: Für den Skalenkörper gilt ein Abstand von nicht mehr als 20 mm von jedem Ende zum Skalenkopf. Für den Lesekopf gilt zwischen den beiden viereckigen Referenzflächen (siehe folgende Abbildung).



9. Der Biegeradius der Signalleitung der Skala ist größer als 60 mm.



10. Standard für die Installation von Waagen

(1) Standard-Installationsgrundfläche (Abbildung 4.8abc, drei Installationsmethoden)

1. Die Installationsfläche des Linealkörpers ist parallel zur Installationsfläche des Lesekopfes und die Parallelität zwischen den Installationsflächen beträgt  $<0,1$  mm

2. Die Installationsfläche des Linealkörpers ist senkrecht zur Installation

Oberfläche des Lesekopfes und die Rechtwinkligkeit zwischen den Montageflächen beträgt  $<0,1$  mm

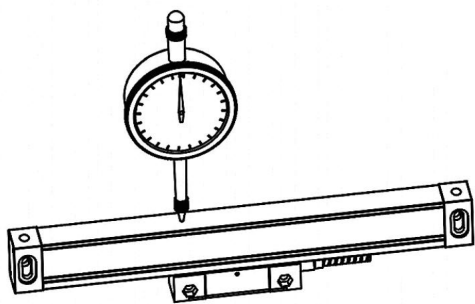
2) Standards für die Installation des Linealkörpers (Abbildung 4.9, Abbildung 4.10)

1. Höhenrichtung relativ zur Maschinenführung Parallelität  $<0,1$  mm, maximal nicht mehr als 0,15 mm.

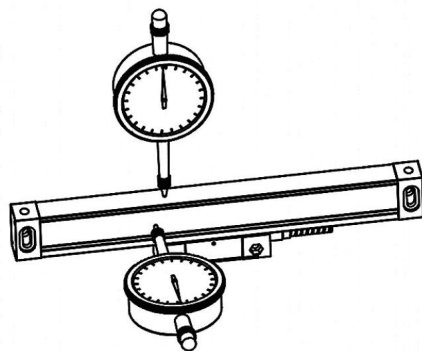
In Bezug auf den Symmetriepunkt gilt: je kleiner, desto besser.

3) Standard für die Installation des Lesekopfes

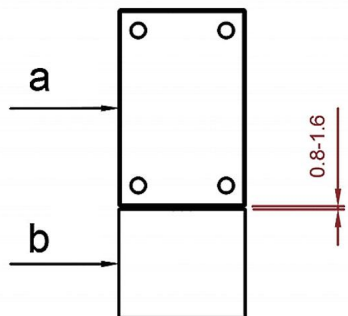
1. Der Abstand zwischen dem Lesekopf und der Höhenrichtung des Linealkörpers beträgt nach der Installation 0,8–1,6 mm. Ziehen Sie anschließend den Polsterblock heraus (Abbildung 4.11).



4.9



4.10



2. Lesekopf Seite A und Linealkörper Seite B.

Fehlausrichtung in horizontaler Richtung.

$0,25 \pm 0,15$  mm

3. Parallelität des Lesekopfes zur

Werkzeugmaschine  $<0,10$  mm, Maximum kann nicht über 0,30 mm

Dieses Gerät entspricht Teil 15 der FCC-Bestimmungen. Der Betrieb unterliegt den folgenden beiden Bedingungen: (1) Dieses Gerät darf keine schädlichen Störungen verursachen und (2) dieses Gerät muss alle empfangenen Störungen akzeptieren, einschließlich Störungen, die einen unerwünschten Betrieb verursachen können.



ÉLÉMENTS D'EMBALLAGE  
À SÉPARER ET À DÉPOSER  
DANS LE BAC DE TRI

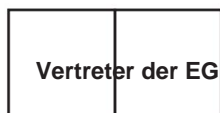


**Hersteller:** Shanghaimuxinmuyeyouxiangongsi **Adresse:**

Shuangchenglu 803nong11hao1602A-1609shi, baoshanqu, Shanghai 200000 CN.

**Nach AUS importiert:** SIHAO PTY LTD, 1 ROKEVA STREETEASTWOOD NSW 2122 Australien

**Importiert in die USA:** Sanven Technology Ltd., Suite 250, 9166 Anaheim Place, Rancho Cucamonga, CA 91730



E-CrossStu GmbH  
Mainzer Land t . s r 69, 60329 Frankfurt am Main.



YH CONSULTING LIMITED.  
C/O YH Consulting Limited Office 147, Centurion House,  
London Road, Staines-upon-Thames, Surrey, TW18 4AX



**VEVOR**<sup>®</sup>

**TOUGH TOOLS, HALF PRICE**

Technischer Support und E-Garantie-Zertifikat  
[www.vevor.com/support](http://www.vevor.com/support)



# **VEVOR<sup>®</sup>**

## **TOUGH TOOLS, HALF PRICE**

Technical Support and E-Warranty Certificate

[www.vevor.com/support](http://www.vevor.com/support)

## **DRO DISPLAY USER MANUAL**

**MODEL: YE-150 /YE-200 /YE-300**

We continue to be committed to provide you tools with competitive price.

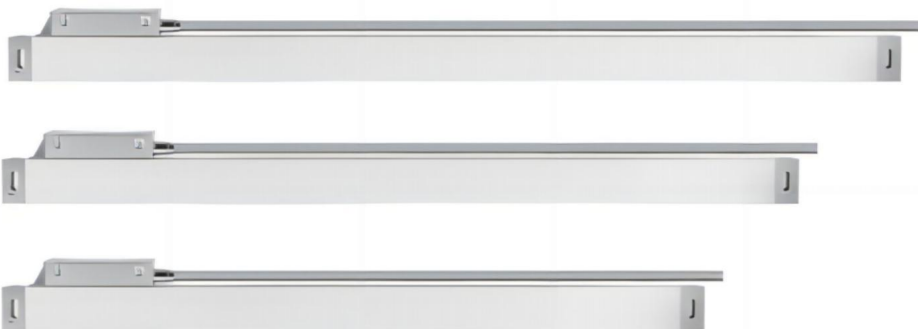
"Save Half", "Half Price" or any other similar expressions used by us only represents an estimate of savings you might benefit from buying certain tools with us compared to the major top brands and does not necessarily mean to cover all categories of tools offered by us. You are kindly reminded to verify carefully when you are placing an order with us if you are actually saving half in comparison with the top major brands.



**VEVOR**<sup>®</sup>  
TOUGH TOOLS, HALF PRICE

**DRO DISPLAY**

**MODEL:** YE-150 /YE-200 /YE-300



### **HAI BISOGNO DI AIUTO? CONTATTACI!**

Hai domande sul prodotto? Hai bisogno di supporto tecnico? Non esitare a contattarci:

**Supporto**

**tecnico e certificato di garanzia elettronica [www.vevor.com/  
support](http://www.vevor.com/support)**

Questa è l'istruzione originale, si prega di leggere attentamente tutte le istruzioni del manuale prima di utilizzare. VEVOR si riserva una chiara interpretazione del nostro manuale utente. L'aspetto del prodotto sarà soggetto al prodotto ricevuto. Vi preghiamo di perdonarci se non vi informeremo di nuovo se ci sono aggiornamenti tecnologici o software sul nostro prodotto.

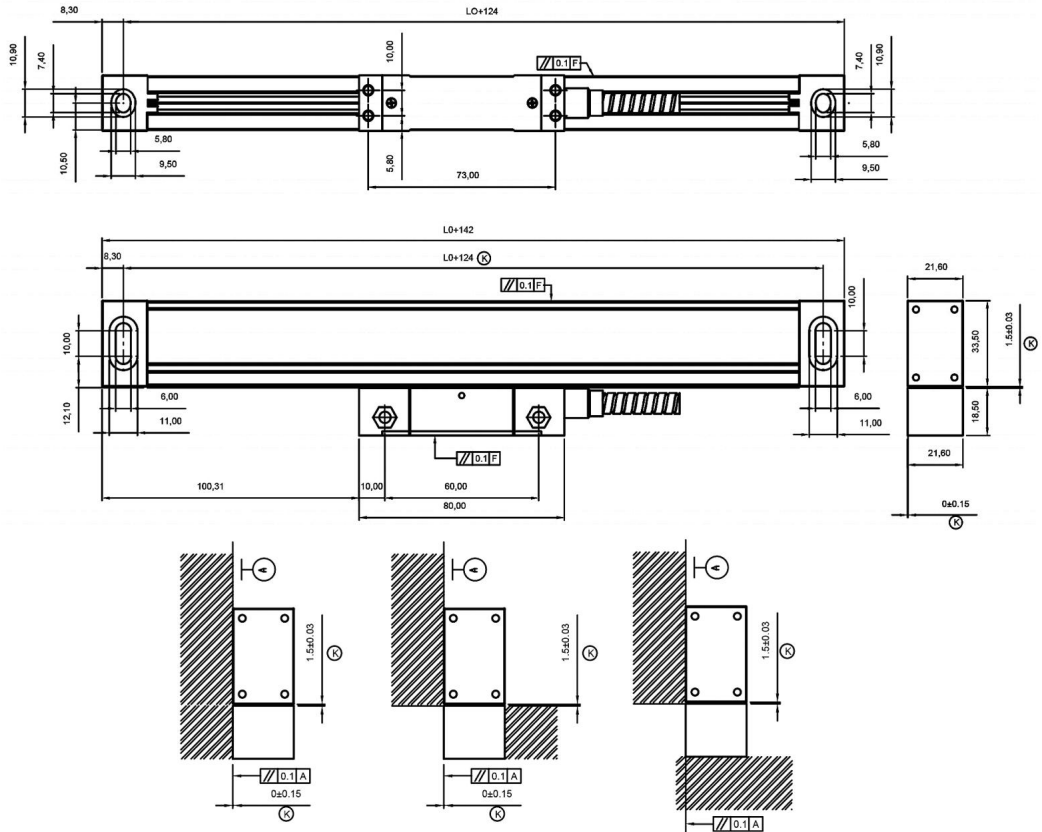
Dear Users:

Thank you for purchasing multifunction series digital readouts. Digital readouts are used in a wide variety of application. These include machine tools, infeed axes, measuring and inspection equipment, EDM, dividing apparatuses, setting tools, and measuring stations for production control. In order to meet the requirements of these applications, many encoders can be connected to the digital readouts. Read all the instructions in the manual carefully before used and strictly follow them. Keep the manual for future references.

Safety attention:

- ⌘ To prevent electric shock or fire, moisture or directly sprayed cooling liquid must be avoid. In case of any smoke or peculiar smell from the digital readout, please unplug the power plug immediately, otherwise, fire or electric shock may be caused. In such a case, do not try to repair it, please contact the Company or distributors.
- ⌘ Digital readout is a precise measuring device used with an optical Linear Scale. When it is in use, if the connection between the Linear Scale and the digital readout is broken or damaged externally, incorrect measuring values may be resulted. Therefore, the user should be careful.
- ⌘ Do not try to repair or modify the digital readout, otherwise, failure, fault or injury may occur. In case of any abnormal condition, please contact the Company or distributor.
- ⌘ If the optical Linear Scale used with the digital readout is damaged, do not use a Linear Scale of other brand. Because the performance, specification and connection of the products of different and can not be connected without the instruction of specialized technical personnel, otherwise, trouble will be caused to the digital readout.
- ⌘ With the continuous updating of products, if there are changes or changes to the sample parameters, the random files shall prevail, and the company has the final interpretation right without notice.

## Metodo di installazione:



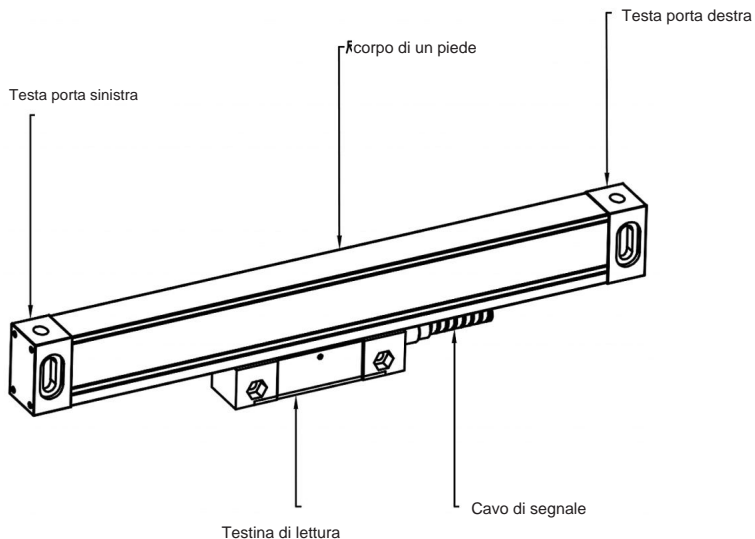
## Dimensioni standard Unitàmm

| Modello |     | L1  | L2  | Modello | L0   | L1   | L2   |
|---------|-----|-----|-----|---------|------|------|------|
| YE-50   | 50  | 174 | 190 | YE-550  | 550  | 674  | 690  |
| YE-100  | 100 | 224 | 240 | YE-600  | 600  | 724  | 740  |
| YE-150  | 150 | 274 | 290 | YE-650  | 650  | 774  | 790  |
| YE-200  | 200 | 324 | 340 | YE-700  | 700  | 824  | 840  |
| YE-250  | 250 | 374 | 390 | YE-750  | 750  | 874  | 890  |
| YE-300  | 300 | 424 | 440 | YE-800  | 800  | 924  | 940  |
| YE-350  | 350 | 474 | 490 | YE-850  | 850  | 974  | 990  |
| YE-400  | 400 | 524 | 540 | YE-900  | 900  | 1024 | 1040 |
| YE-450  | 450 | 574 | 590 | YE-950  | 950  | 1074 | 1090 |
| YE-500  | 500 | 624 | 640 | YE-1000 | 1000 | 1124 | 1140 |

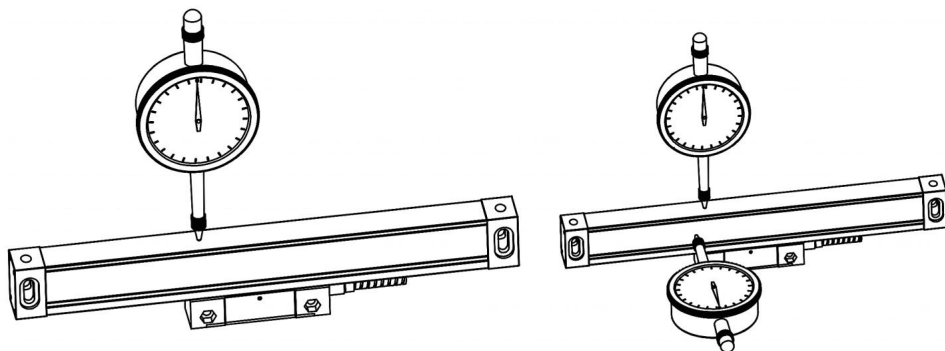
L0: Lunghezza di misura effettiva dell'encoder lineare; L1: Lunghezza dei fori di montaggio dell'encoder lineare; L2: Lunghezza complessiva dell'encoder lineare

## Manutenzione:

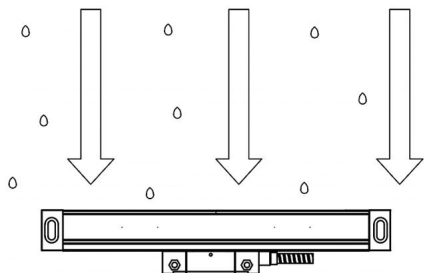
1. La corsa effettiva dell'encoder lineare deve essere più lunga del massimo corsa della macchina utensile. Se la lunghezza non è sufficiente, sostituire l'encoder lineare con una corsa maggiore o aggiungere un blocco di fine corsa sulle macchine. La posizione finale della testina di lettura dall'estremità del corpo dell'encoder lineare non deve essere inferiore a 10 mm di spazio (vedere il diagramma seguente).



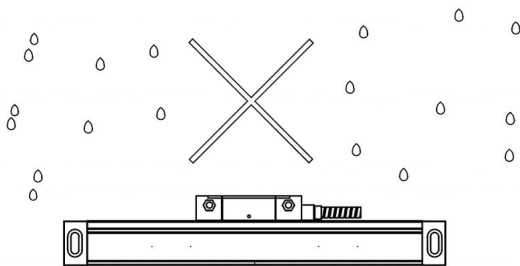
2. Per qualsiasi superficie non lavorata, è necessario posizionare un distanziale sul retro dell'encoder lineare oppure utilizzare un distanziale di installazione realizzato dall'utente per garantire la stabilità e l'affidabilità della connessione tra il righello a reticolo e la superficie di montaggio.
3. Quando si utilizza un comparatore a quadrante o uno strumento simile per calibrare il parallelismo dell'encoder lineare, l'angolo della testa laterale deve essere compreso tra  $\pm 30$  gradi e più piccolo è l'angolo, meglio è.



4. La posizione di installazione dell'encoder lineare deve evitare l'impatto diretto di limatura di ferro, olio, acqua e polvere (come mostrato nella figura sottostante). La lunghezza di installazione della piastra a L deve essere la più corta possibile in base alle circostanze possibili e deve essere presa in considerazione la situazione di forza della superficie di montaggio.

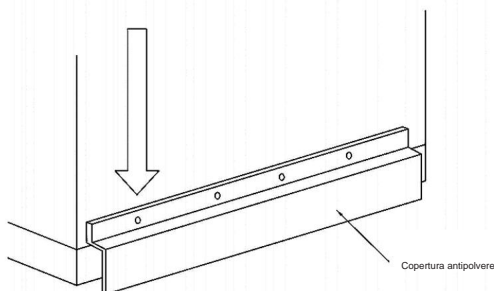
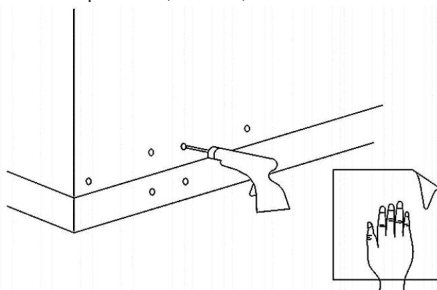


Installazione corretta



Installazione errata

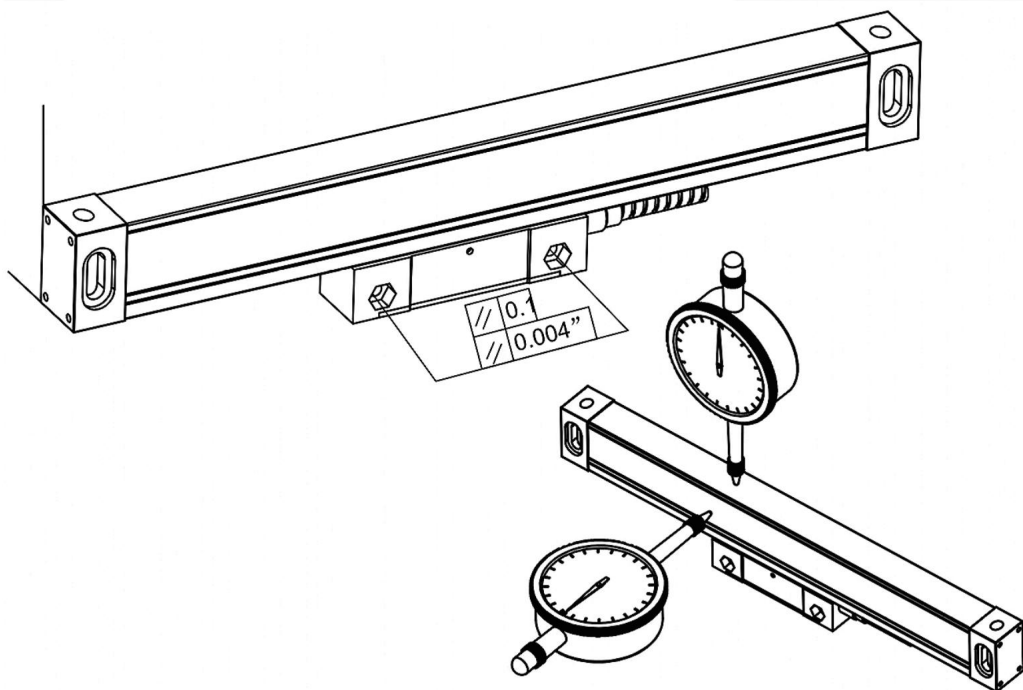
5. Deve esserci uno spazio di almeno 0,5 mm tra la copertura antipolvere e il corpo del righello ed evitare il contatto tra la copertura antipolvere e il corpo del righello quando si sposta la testina di lettura (come di seguito).
6. Profondità della filettatura della vite di installazione, deve avere almeno 6 denti di profondità di bloccaggio; forzare la parte maggiore, come il supporto della piastra fissa del ripiano del misuratore di visualizzazione digitale, deve avere 8 denti di profondità di bloccaggio; serie YE di scala, la profondità della profondità della filettatura della profondità di bloccaggio. Come il supporto della piastra fissa del ripiano del misuratore di visualizzazione digitale, deve avere più di 8 denti di profondità di bloccaggio; serie YE scala Con viti M4 installate maschiatura della superficie di montaggio dopo sbavatura superficiale, vernice, rimozione delle macchie. (La figura seguente)



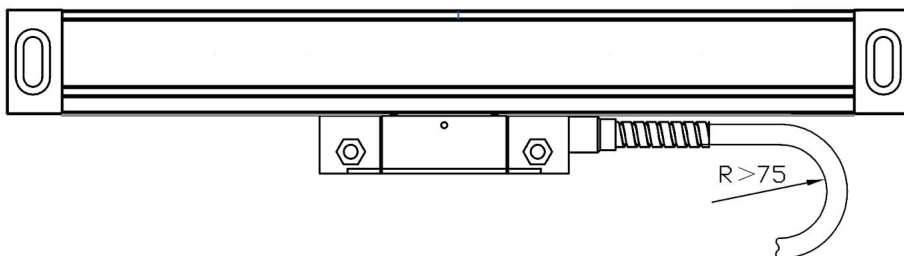
7. Il fissaggio della linea di segnale deve tenere conto di tutte le distanze di movimento rilevanti.

La posizione di fissaggio deve essere posizionata il più possibile al centro della corsa e la linea del segnale in eccesso viene fissata con una fascetta.

8. La regolazione del livello di altezza della scala deve essere la lunghezza del centro della scala per prendere i due lati del punto di simmetria. Regolare il punto di riferimento, qualsiasi scala indipendentemente dalla direzione del livello scolastico o dalla direzione dell'altezza, l'intervallo di regolazione: per il corpo della scala, alla testa dal corpo della scala a una distanza non superiore a 20 mm da ciascuna estremità prevarrà. Per la testina di lettura, tra le due superfici di riferimento quadrilatere (la figura seguente)



9. Il raggio di curvatura della linea del segnale della scala è maggiore di 60 mm.





## 10. Standard di installazione della scala

### (1) Standard di superficie di base dell'installazione (Figura 4.8abc tre metodi di installazione)

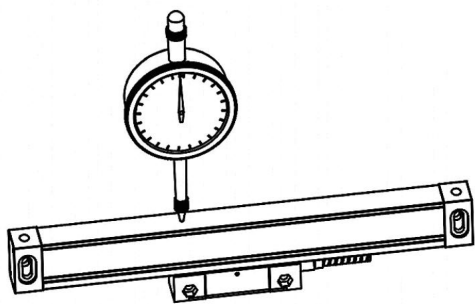
1. La superficie di installazione del corpo del righello è parallela alla superficie di installazione della testina di lettura e il parallelismo tra le superfici di installazione è  $<0,1$  mm
2. La superficie di installazione del corpo del righello è perpendicolare all'installazione superficie della testina di lettura e la perpendicolarità tra le superfici di installazione è  $<0,1$  mm

### 2) Standard di installazione del corpo del righello (Figura 4.9, Figura 4.10)

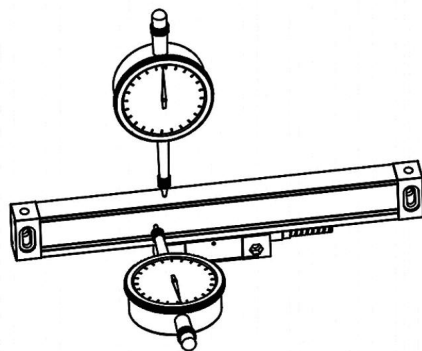
1. Direzione dell'altezza rispetto al parallelismo della guida della macchina  $<0,1$  mm, massimo non superiore a 0,15 mm In termini di punto di simmetria, più piccolo è, meglio è.

### 3) Standard di installazione della testina di lettura

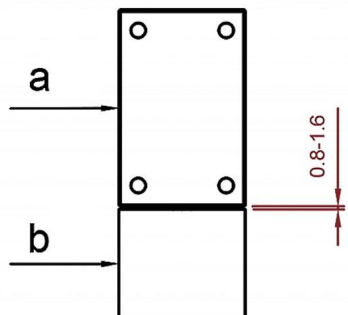
1. Dopo l'installazione, la distanza tra la testina di lettura e la direzione dell'altezza del corpo del righello è di 0,8 mm-1,6 mm, quindi estrarre il blocco del pad (Figura 4.11)



4.9



4.10



2. Testina di lettura lato A e corpo del righello lato B.

Disallineamento in direzione orizzontale.  
 $0,25 \pm 0,15$  mm

3. Parallelismo della testina di lettura rispetto a macchina utensile  $<0,10$  mm, massimo non può superare 0,30 mm

**Questo dispositivo è conforme alla Parte 15 delle Norme FCC. Il funzionamento è soggetto alle due condizioni seguenti: (1) Questo dispositivo non può causare interferenze dannose e (2) Questo dispositivo deve accettare qualsiasi interferenza ricevuta, comprese le interferenze che possono causare un funzionamento indesiderato.**



**ÉLÉMENTS D'EMBALLAGE  
À SÉPARER ET À DÉPOSER  
DANS LE BAC DE TRI**

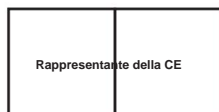


**Produttore:** Shanghaimuxinmuyeyouxiangongsi **Indirizzo:**

Shuangchenglu 803nong11hao1602A-1609shi, baoshanqu, shanghai 200000 CN.

**Importato in AUS:** SIHAO PTY LTD, 1 ROKEVA STREETEASTWOOD NSW 2122 Australia

**Importato negli USA:** Sanven Technology Ltd., Suite 250, 9166 Anaheim Place, Rancho Cucamonga, CA 91730



E-CrossStu GmbH  
Magonza Terra t. sr 69, 60329 Francoforte sul Meno.



CONSULENZA YH LIMITATA.  
C/O YH Consulting Limited Ufficio 147, Centurion House,  
Via Roma, 101, 00186 Roma, Italia



**VEVOR**<sup>®</sup>

**TOUGH TOOLS, HALF PRICE**

Supporto tecnico e certificato di garanzia  
elettronica [www.vevor.com/support](http://www.vevor.com/support)

# **VEVOR<sup>®</sup>**

## **TOUGH TOOLS, HALF PRICE**

Technical Support and E-Warranty Certificate

[www.vevor.com/support](http://www.vevor.com/support)

## **DRO DISPLAY USER MANUAL**

**MODEL: YE-150/YE-200/YE-300**

We continue to be committed to provide you tools with competitive price.

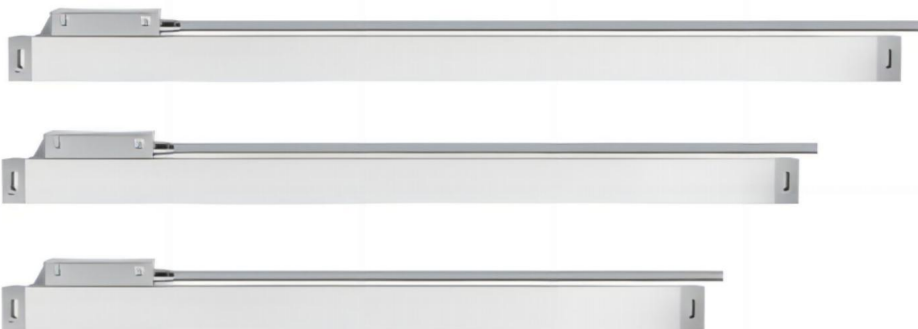
"Save Half", "Half Price" or any other similar expressions used by us only represents an estimate of savings you might benefit from buying certain tools with us compared to the major top brands and does not necessarily mean to cover all categories of tools offered by us. You are kindly reminded to verify carefully when you are placing an order with us if you are actually saving half in comparison with the top major brands.



**VEVOR**<sup>®</sup>  
TOUGH TOOLS, HALF PRICE

**DRO DISPLAY**

**MODEL:** YE-150/YE-200/YE-300



**¿NECESITA AYUDA? ¡CONTÁCTENOS!**

¿Tiene preguntas sobre el producto? ¿Necesita asistencia técnica? No dude en ponerse en contacto con

nosotros: Asistencia técnica y certificado de garantía electrónica  
[www.vevor.com/support](http://www.vevor.com/support)

Estas son las instrucciones originales, lea atentamente todas las instrucciones del manual antes de utilizar el producto. VEVOR se reserva una interpretación clara de nuestro manual de usuario. La apariencia del producto estará sujeta al producto que recibió. Perdónenos por no informarle nuevamente si hay actualizaciones de tecnología o software en nuestro producto.

Dear Users:

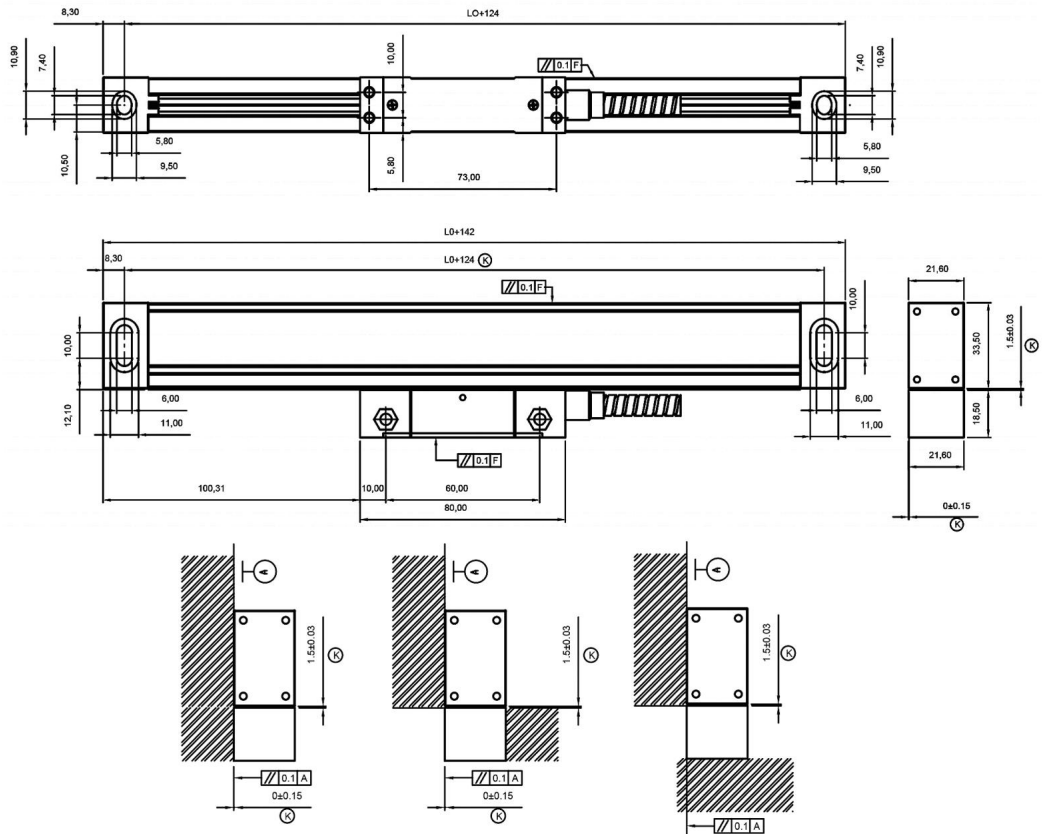
Thank you for purchasing multifunction series digital readouts. Digital readouts are used in a wide variety of application. These include machine tools, infeed axes, measuring and inspection equipment, EDM, dividing apparatuses, setting tools, and measuring stations for production control. In order to meet the requirements of these applications, many encoders can be connected to the digital readouts. Read all the instructions in the manual carefully before used and strictly follow them. Keep the manual for future references.

Safety attention:

- ⌘ To prevent electric shock or fire, moisture or directly sprayed cooling liquid must be avoid. In case of any smoke or peculiar smell from the digital readout, please unplug the power plug immediately, otherwise, fire or electric shock may be caused. In such a case, do not try to repair it, please contact the Company or distributors.
- ⌘ Digital readout is a precise measuring device used with an optical Linear Scale. When it is in use, if the connection between the Linear Scale and the digital readout is broken or damaged externally, incorrect measuring values may be resulted. Therefore, the user should be careful.
- ⌘ Do not try to repair or modify the digital readout, otherwise, failure, fault or injury may occur. In case of any abnormal condition, please contact the Company or distributor.
- ⌘ If the optical Linear Scale used with the digital readout is damaged, do not use a Linear Scale of other brand. Because the performance, specification and connection of the products of different and can not be connected without the instruction of specialized technical personnel, otherwise, trouble will be caused to the digital readout.
- ⌘ With the continuous updating of products, if there are changes or changes to the sample parameters, the random files shall prevail, and the company has the final interpretation right without notice.



## Método de instalación:



## Tamaño estándar Unidad mm

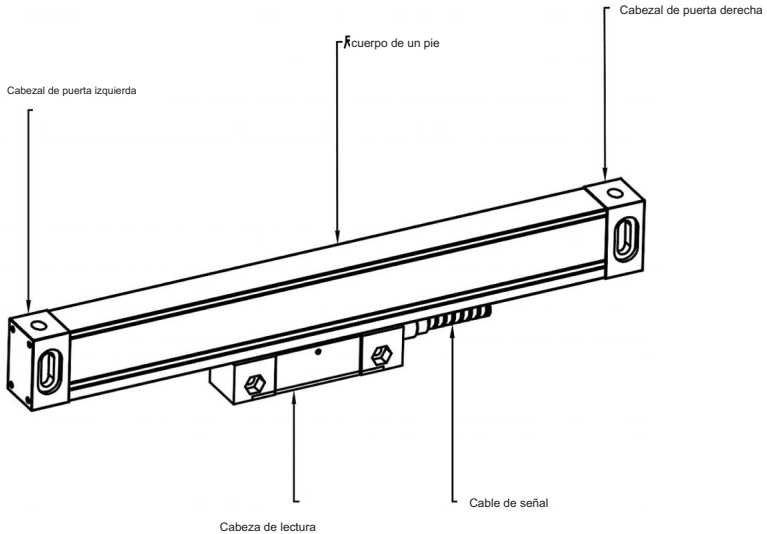
| Modelo |     | L1  | L2  | Modelo  | L0   | L1   | L2   |
|--------|-----|-----|-----|---------|------|------|------|
| YE-50  | 50  | 174 | 190 | YE-550  | 550  | 674  | 690  |
| YE-100 | 100 | 224 | 240 | YE-600  | 600  | 724  | 740  |
| YE-150 | 150 | 274 | 290 | YE-650  | 650  | 774  | 790  |
| YE-200 | 200 | 324 | 340 | YE-700  | 700  | 824  | 840  |
| YE-250 | 250 | 374 | 390 | YE-750  | 750  | 874  | 890  |
| YE-300 | 300 | 424 | 440 | YE-800  | 800  | 924  | 940  |
| YE-350 | 350 | 474 | 490 | YE-850  | 850  | 974  | 990  |
| YE-400 | 400 | 524 | 540 | YE-900  | 900  | 1024 | 1040 |
| YE-450 | 450 | 574 | 590 | YE-950  | 950  | 1074 | 1090 |
| YE-500 | 500 | 624 | 640 | YE-1000 | 1000 | 1124 | 1140 |

L0: Longitud de medición efectiva del codificador lineal; L1: Longitud de los orificios de montaje del codificador lineal; L2: Longitud total del codificador lineal

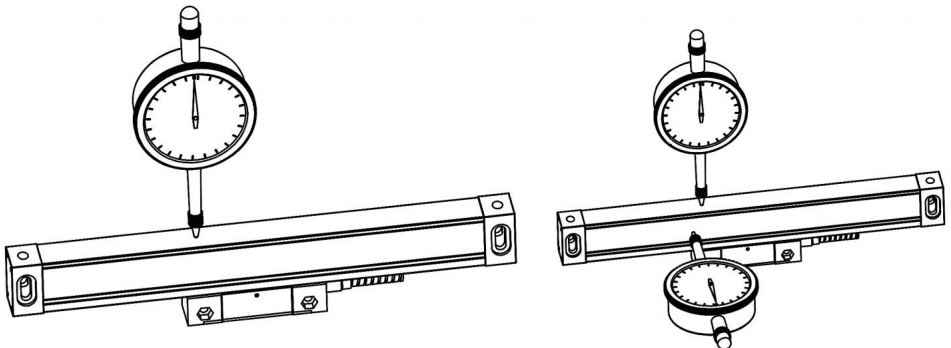
## Mantenimiento:

1. El recorrido efectivo del codificador lineal debe ser mayor que el máximo

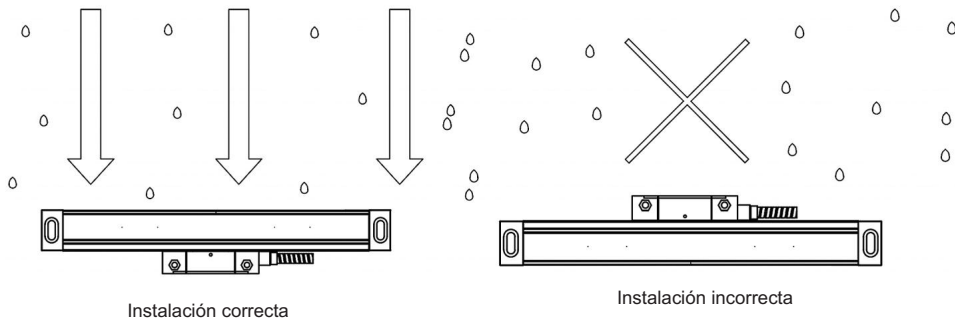
Recorrido de la máquina herramienta. Si la longitud no es suficiente, sustituya el codificador lineal por uno de mayor recorrido o añada un bloque de límite a la máquina. La posición final del cabezal de lectura desde el extremo del cuerpo del codificador lineal no debe ser inferior a 10 mm (consulte el siguiente diagrama).



2. Para cualquier superficie no mecanizada, se debe colocar una cuña en la parte posterior del codificador lineal o se debe utilizar una cuña de instalación hecha por el usuario para garantizar la estabilidad y confiabilidad de la conexión entre la regla de rejilla y la superficie de montaje.
3. Al utilizar un comparador o un instrumento similar para calibrar el paralelismo del codificador lineal, el ángulo del cabezal lateral debe estar dentro de  $\pm 30$  grados, y cuanto menor sea el ángulo, mejor.

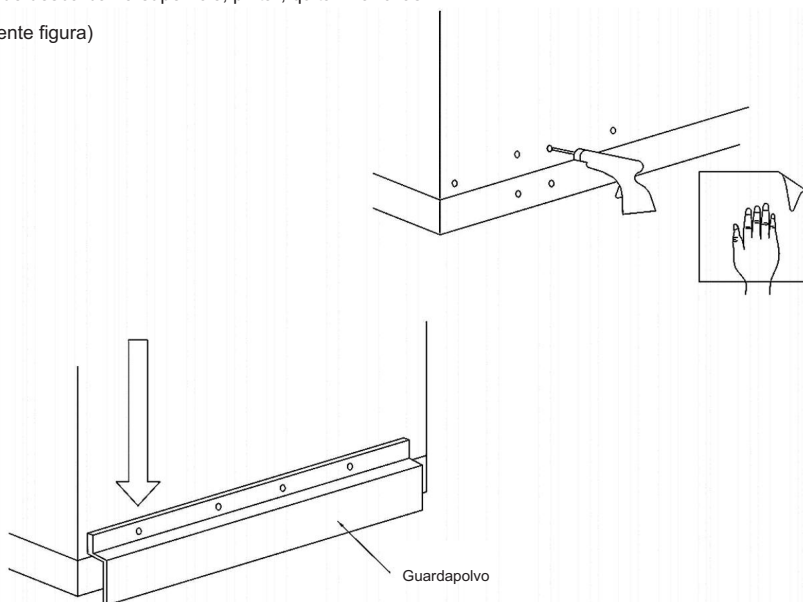


4. La posición de instalación del codificador lineal debe evitar el impacto directo de virutas de hierro, aceite, agua y polvo (como se muestra en la figura siguiente). La longitud de instalación de la placa en L debe ser lo más corta posible en las circunstancias posibles y debe tenerse en cuenta la situación de fuerza de la superficie de montaje.

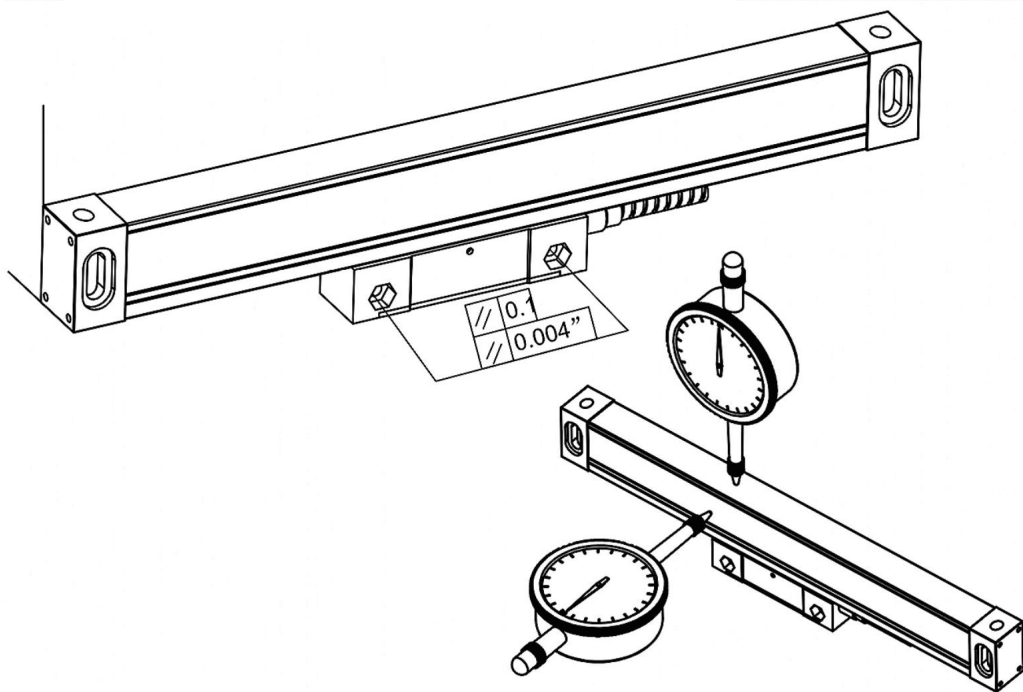


5. Debe haber un espacio de 0,5 mm o más entre la cubierta antipolvo y el cuerpo de la regla, y evitar el contacto entre la cubierta antipolvo y el cuerpo de la regla al mover el cabezal de lectura (como se muestra a continuación).
6. Profundidad de la rosca del tornillo de instalación, debe tener al menos 6 dientes de profundidad de bloqueo; La parte de mayor fuerza, como la placa fija del estante del medidor de pantalla digital de soporte, debe tener 8 dientes de profundidad de bloqueo; la escala de la serie YE, la profundidad de la rosca de la profundidad de bloqueo. Como la placa fija del estante del medidor de pantalla digital de soporte, debe tener más de 8 dientes de profundidad de bloqueo; la escala de la serie YE Con tornillos M4 instalados, la superficie de montaje se rosca después de desbarbar la superficie, pintar, quitar manchas.

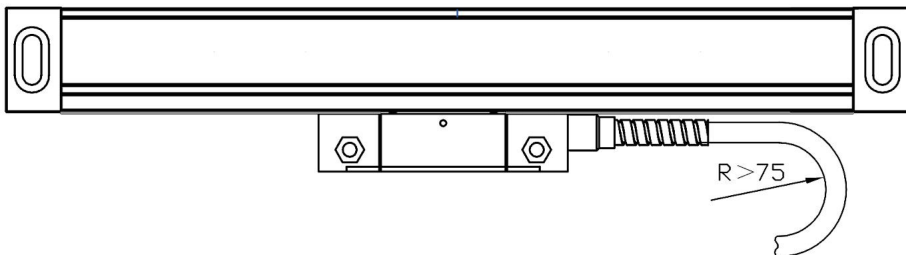
(La siguiente figura)



7. La fijación de la línea de señal debe tener en cuenta todas las distancias de movimiento relevantes. La posición de fijación se coloca lo más cerca posible del centro del recorrido y el exceso de línea de señal se fija con una brida de alambre.
8. El ajuste de la altura de la escala debe ser la longitud del centro de la escala para tomar los dos lados del punto de simetría. Para ajustar el punto de referencia, cualquier escala independientemente de la dirección del nivel de la escuela o la dirección de la altura, el rango de ajuste: para el cuerpo de la escala, hasta la cabeza desde el cuerpo de la escala a una distancia de no más de 20 mm desde cada extremo prevalecerá. Para el cabezal de lectura, entre las dos superficies de referencia cuadriláteras (la siguiente figura)



9. El radio de curvatura de la línea de señal de la escala es mayor a 60 mm.



## 10. Norma de instalación de la báscula

(1) Estándar de superficie de la base de instalación (Figura 4.8abc tres métodos de instalación)

1. La superficie de instalación del cuerpo de la regla es paralela a la superficie de instalación del cabezal de lectura y el paralelismo entre las superficies de instalación es  $<0,1$  mm.

2. La superficie de instalación del cuerpo de la regla es perpendicular a la instalación.

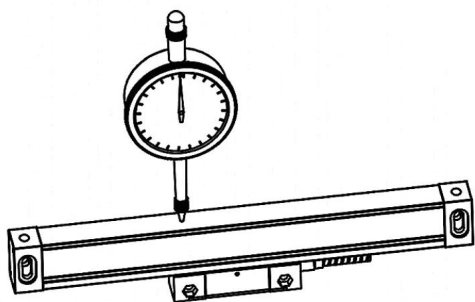
superficie del cabezal de lectura y la perpendicularidad entre las superficies de instalación es  $<0,1$  mm

2) Normas de instalación del cuerpo de la regla (Figura 4.9, Figura 4.10)

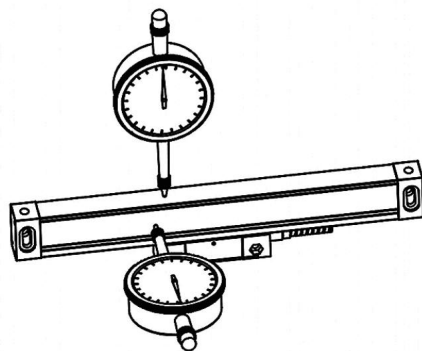
1. Dirección de altura relativa al paralelismo de la guía de la máquina  $<0,1$  mm, máximo no más de  $0,15$  mm. En términos de punto de simetría, cuanto más pequeño, mejor.

3) Normas de instalación del cabezal de lectura

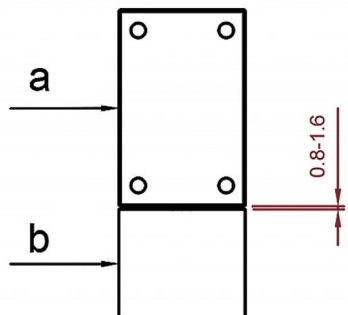
1. El espacio libre entre el cabezal de lectura y la dirección de altura del cuerpo de la regla es de  $0,8$  mm a  $1,6$  mm después de la instalación, y luego retire el bloque de almohadilla (Figura 4.11)



4.9



4.10



2. Cabezal de lectura lado A y cuerpo de la regla lado B.

Desalineación en dirección horizontal.

$0,25 \pm 0,15$  mm

3. Paralelismo del cabezal de lectura con respecto a máquina herramienta  $<0,10$  mm, máximo no puede exceder  $0,30$  mm

Este dispositivo cumple con la Parte 15 de las Normas de la FCC. Su funcionamiento está sujeto a las dos condiciones siguientes: (1) Este dispositivo no puede causar interferencias perjudiciales y (2) Este dispositivo debe aceptar cualquier interferencia que reciba, incluidas las interferencias que puedan causar un funcionamiento no deseado.



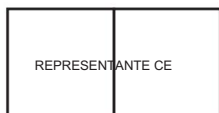
ÉLÉMENTS D'EMBALLAGE  
À SÉPARER ET À DÉPOSER  
DANS LE BAC DE TRI



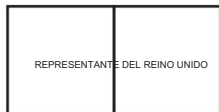
Fabricante: Shnghaimuxinmuyeyouxiangongsi Dirección:  
Shuangchenglu 803nong11hao1602A-1609shi, baoshanqu, shanghai 200000 CN.

Importado a AUS: SIHAO PTY LTD, 1 ROKEVA STREETEASTWOOD NSW 2122 Australia

Importado a EE. UU.: Sanven Technology Ltd., Suite 250, 9166 Anaheim Place, Rancho Cucamonga, CA 91730



E-CrossStu GmbH  
Estado federado de Maguncia t. sr 69, 60329 Fráncfort del Meno.



YH CONSULTING LIMITADA.  
C/O YH Consulting Limited Oficina 147, Centurion House,  
Carretera de Londres, Staines-upon-Thames, Surrey, TW18 4AX



**VEVOR<sup>®</sup>**

**TOUGH TOOLS, HALF PRICE**

Soporte técnico y certificado de garantía  
electrónica [www.vevor.com/support](http://www.vevor.com/support)



# **VEVOR<sup>®</sup>**

## **TOUGH TOOLS, HALF PRICE**

Technical Support and E-Warranty Certificate

[www.vevor.com/support](http://www.vevor.com/support)

## **DRO DISPLAY USER MANUAL**

**MODEL:** YE-150 /YE-200 /YE-300

We continue to be committed to provide you tools with competitive price.

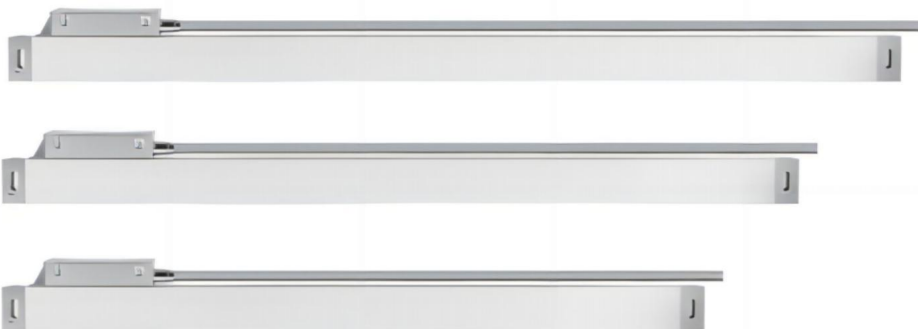
"Save Half", "Half Price" or any other similar expressions used by us only represents an estimate of savings you might benefit from buying certain tools with us compared to the major top brands and does not necessarily mean to cover all categories of tools offered by us. You are kindly reminded to verify carefully when you are placing an order with us if you are actually saving half in comparison with the top major brands.



**VEVOR**<sup>®</sup>  
TOUGH TOOLS, HALF PRICE

**DRO DISPLAY**

**MODEL:** YE-150 /YE-200 /YE-300



POTRZEBUJESZ POMOCY? SKONTAKTUJ SIĘ Z NAMI!!

Masz pytania dotyczące produktu? Potrzebujesz wsparcia technicznego? Skontaktuj się z nami: Wsparcie

techniczne i certyfikat E-Gwarancji [www.vevor.com/support](http://www.vevor.com/support)

To jest oryginalna instrukcja, przed użyciem należy uważnie przeczytać wszystkie instrukcje. VEVOR zastrzega sobie jasną interpretację naszej instrukcji obsługi. Wygląd produktu będzie zależał od produktu, który otrzymałeś. Prosimy o wybaczenie, że nie poinformujemy Cię ponownie, jeśli w naszym produkcie pojawią się jakiegokolwiek aktualizacje technologiczne lub oprogramowania.

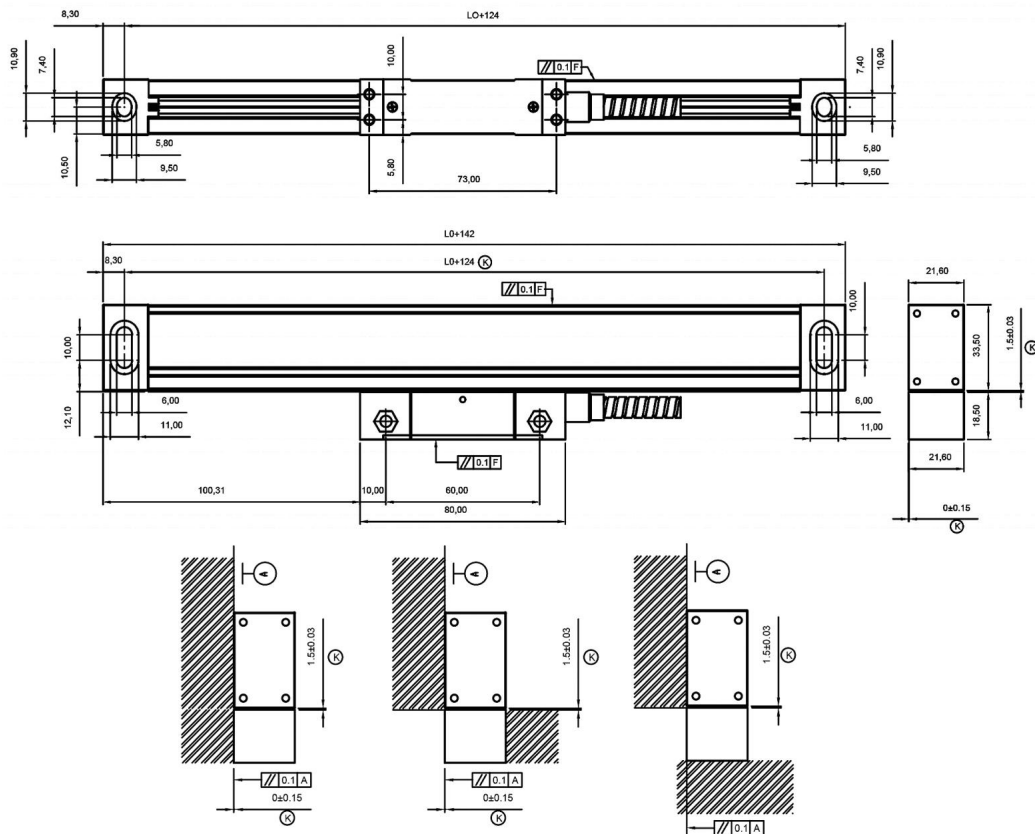
Dear Users:

Thank you for purchasing multifunction series digital readouts. Digital readouts are used in a wide variety of application. These include machine tools, infeed axes, measuring and inspection equipment, EDM, dividing apparatuses, setting tools, and measuring stations for production control. In order to meet the requirements of these applications, many encoders can be connected to the digital readouts. Read all the instructions in the manual carefully before used and strictly follow them. Keep the manual for future references.

Safety attention:

- ⌘ To prevent electric shock or fire, moisture or directly sprayed cooling liquid must be avoid. In case of any smoke or peculiar smell from the digital readout, please unplug the power plug immediately, otherwise, fire or electric shock may be caused. In such a case, do not try to repair it, please contact the Company or distributors.
- ⌘ Digital readout is a precise measuring device used with an optical Linear Scale. When it is in use, if the connection between the Linear Scale and the digital readout is broken or damaged externally, incorrect measuring values may be resulted. Therefore, the user should be careful.
- ⌘ Do not try to repair or modify the digital readout, otherwise, failure, fault or injury may occur. In case of any abnormal condition, please contact the Company or distributor.
- ⌘ If the optical Linear Scale used with the digital readout is damaged, do not use a Linear Scale of other brand. Because the performance, specification and connection of the products of different and can not be connected without the instruction of specialized technical personnel, otherwise, trouble will be caused to the digital readout.
- ⌘ With the continuous updating of products, if there are changes or changes to the sample parameters, the random files shall prevail, and the company has the final interpretation right without notice.

## Metoda instalacji:



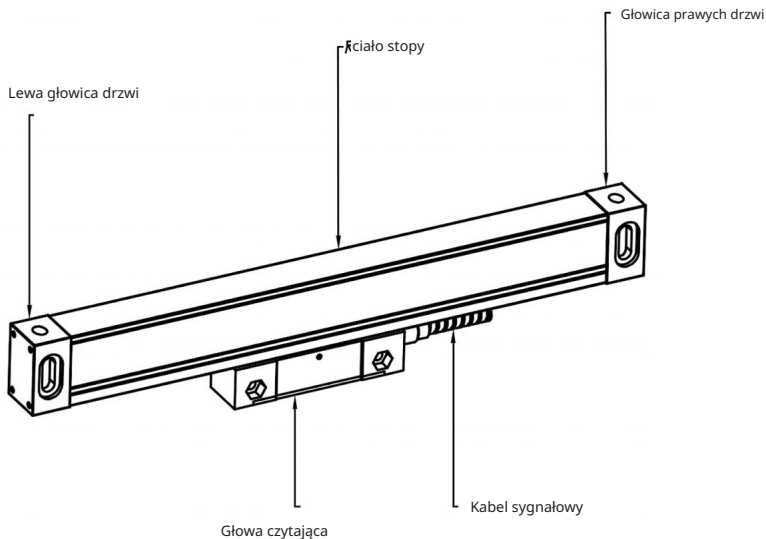
Rozmiar standardowy jednostka mm

| Model  |     | L1  | L2  | Model   | L0   | L1   | L2   |
|--------|-----|-----|-----|---------|------|------|------|
| YE-50  | 50  | 174 | 190 | YE-550  | 550  | 674  | 690  |
| YE-100 | 100 | 224 | 240 | YE-600  | 600  | 724  | 740  |
| YE-150 | 150 | 274 | 290 | YE-650  | 650  | 774  | 790  |
| YE-200 | 200 | 324 | 340 | YE-700  | 700  | 824  | 840  |
| YE-250 | 250 | 374 | 390 | YE-750  | 750  | 874  | 890  |
| YE-300 | 300 | 424 | 440 | YE-800  | 800  | 924  | 940  |
| YE-350 | 350 | 474 | 490 | YE-850  | 850  | 974  | 990  |
| YE-400 | 400 | 524 | 540 | YE-900  | 900  | 1024 | 1040 |
| YE-450 | 450 | 574 | 590 | YE-950  | 950  | 1074 | 1090 |
| YE-500 | 500 | 624 | 640 | YE-1000 | 1000 | 1124 | 1140 |

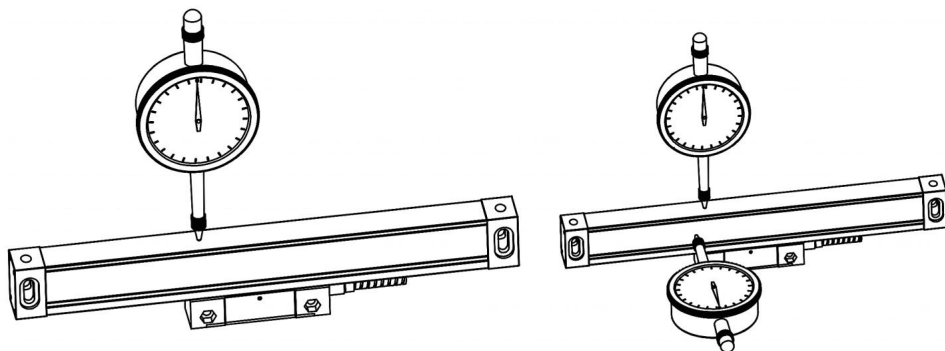
L0: Efektywna długość pomiarowa enkodera liniowego; L1: Długość otworów montażowych enkodera liniowego; L2: Całkowita długość enkodera liniowego

## Konserwacja:

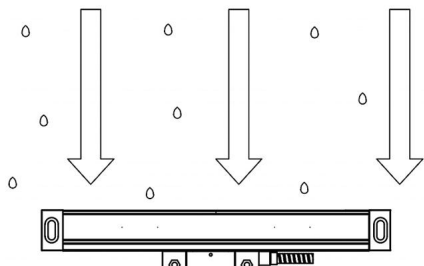
1. Efektywny przesuw enkodera liniowego powinien być dłuższy niż maksymalny przesuw obrabiarki. Jeśli długość jest niewystarczająca, należy wymienić enkoder liniowy na większy lub dodać blok ograniczający na maszynach. Pozycja końcowa głowicy odczytującej od końca korpusu enkodera liniowego powinna być nie mniejsza niż 10 mm odstęp, (patrz poniższy schemat).



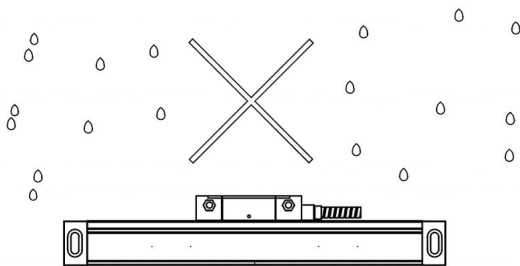
2. W przypadku powierzchni nieobrobionych, z tyłu enkodera liniowego należy umieścić podkładkę lub zastosować samodzielnie wykonaną podkładkę montażową, aby zapewnić stabilność i niezawodność połączenia pomiędzy liniałem kratowym a powierzchnią montażową.
3. Podczas kalibracji równoległości enkodera liniowego za pomocą czujnika zegarowego lub podobnego przyrządu, kąt głowicy bocznej musi mieścić się w granicach  $\pm 30$  stopni. Im mniejszy kąt, tym lepiej.



4. Pozycja instalacji enkodera liniowego musi unikać bezpośredniego uderzenia opiłków żelaza, oleju, wody i pyłu (jak pokazano na poniższym rysunku). Długość instalacji płytki L powinna być jak najkrótsza w możliwych okolicznościach, a także należy wziąć pod uwagę sytuację siłową powierzchni montażowej.

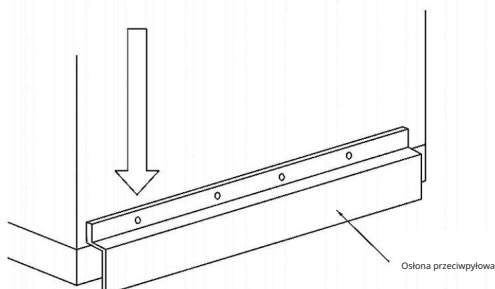
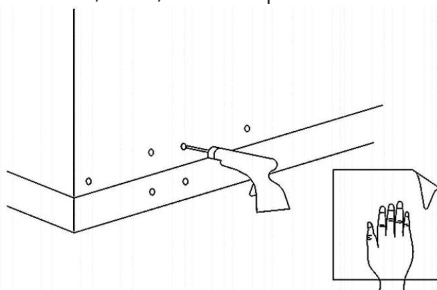


Prawidłowa instalacja



Nieprawidłowa instalacja

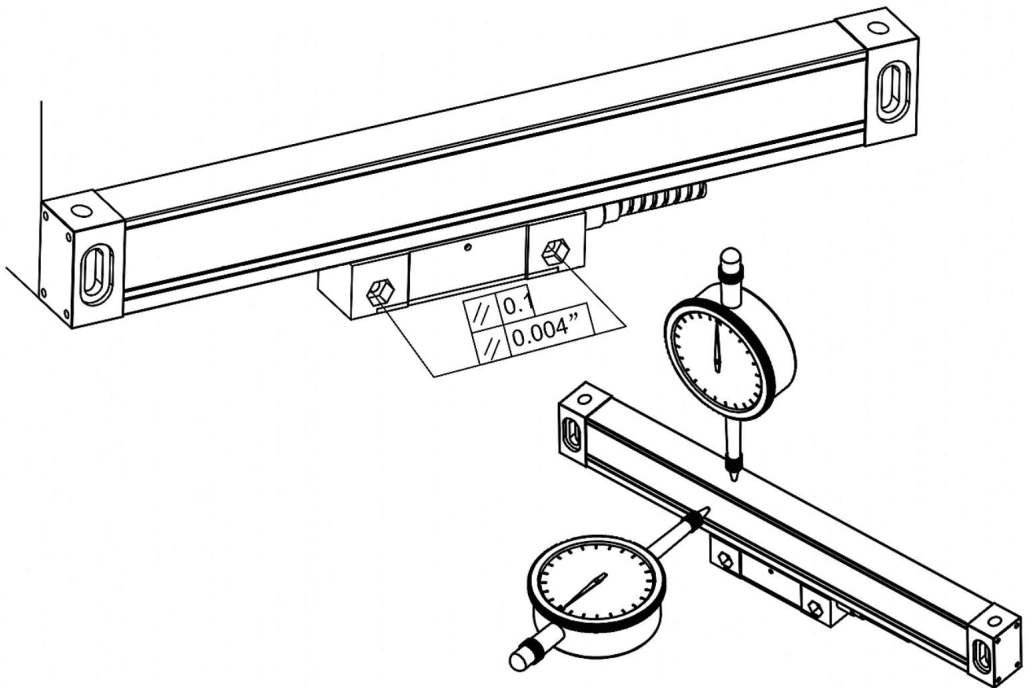
5. Pomiedzy osłoną przeciwpylową a korpusem linijki musi być zachowana szczelina co najmniej 0,5 mm. Należy unikać kontaktu osłony przeciwpylowej z korpusem linijki podczas przesuwania głowicy odczytującej (jak poniżej).
6. Głębokość gwintu śruby montażowej musi wynosić co najmniej 6 zębów głębokości blokowania; siła większa część, taka jak podtrzymywanie cyfrowej półki licznika wyświetlacza stała płyta, musi mieć 8 zębów blokowania głębokości; seria YE skali, głębokość gwintu głębokość blokowania głębokości. Taka jak podtrzymywanie cyfrowej półki licznika wyświetlacza stała płyta, musi mieć więcej niż 8 zębów blokowania głębokości; seria YE skali Z zainstalowanymi śrubami M4 powierzchnia montażowa gwintowanie po odgratowaniu powierzchni, farba, usuwanie plam.  
(Poniższy rysunek)



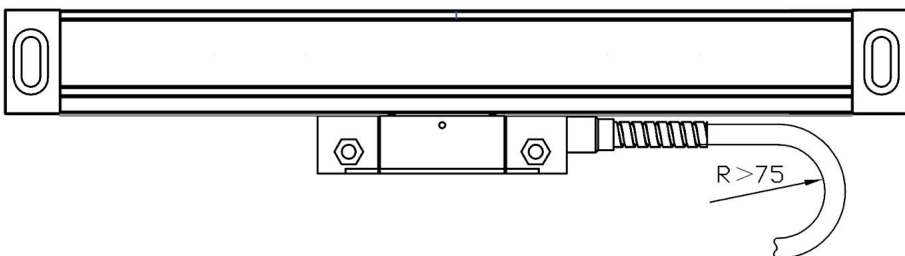
7. Mocowanie linii sygnałowej musi uwzględniać wszystkie istotne odległości ruchome.

Miejsce mocowania należy umieścić możliwie jak najbardziej w samym środku skoku, a nadmiar przewodu sygnałowego zamocować opaską zaciskową.

8. Regulacja wysokości skali musi być długością środka skali, aby wziąć dwa boki punktu symetrii. Dostosuj punkt odniesienia, dowolną skalę niezależnie od kierunku poziomu szkoły lub kierunku wysokości, zakres regulacji: dla korpusu skali, do głowicy od korpusu skali w odległości nie większej niż 20 mm od każdego końca ma pierwszeństwo. Dla głowicy czytającej, między dwiema czworokątnymi powierzchniami odniesienia (następujący rysunek)



9. Promień gięcia przewodu sygnałowej skali jest większy niż 60 mm.





## 10. Standard instalacji wagi

### (1) Standardowa powierzchnia podstawy instalacji (rysunek 4.8abc trzy metody instalacji)

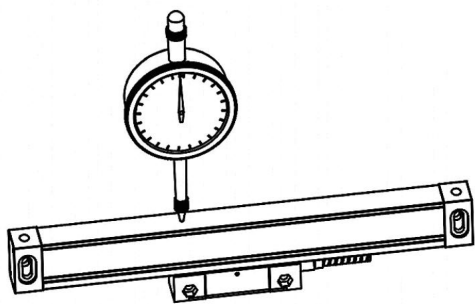
1. Powierzchnia montażowa korpusu linijki jest równoległa do powierzchni montażowej głowicy odczytującej, a równoległość między powierzchniami montażowymi wynosi  $<0,1$  mm
2. Powierzchnia montażowa korpusu linijki jest prostopadła do powierzchni montażowej powierzchni głowicy odczytującej, a prostopadłość między powierzchniami instalacyjnymi wynosi  $<0,1$  mm

### 2) Normy montażu korpusu linijki (rysunek 4.9, rysunek 4.10)

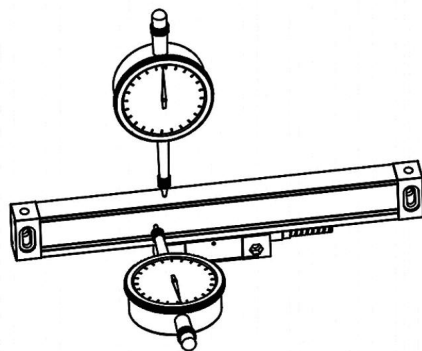
1. Kierunek wysokości względem równoległości prowadnicy maszyny  $<0,1$  mm, maksymalnie nie więcej niż  $0,15$  mm. Pod względem punktu symetrii im mniejszy tym lepiej.

### 3) Standard instalacji głowicy odczytującej

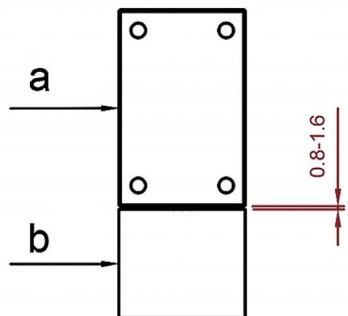
1. Po zainstalowaniu odstęp między głowicą odczytującą a kierunkiem wysokości korpusu linijki wynosi  $0,8-1,6$  mm; następnie należy wyjąć blok podkładek (rysunek 4.11).



4.9



4.10



2. Głowica czytająca stroną A i korpus linijki stroną B.

Niewspółosiowość w kierunku poziomym.  
 $0,25 \pm 0,15$  mm

3. Równoległość głowicy czytającej względem obrabiarka  $<0,10$  mm, maksymalna nie może przekraczać  $0,30$  mm

To urządzenie jest zgodne z częścią 15 przepisów FCC. Jego działanie podlega następującym dwóm warunkom: (1) To urządzenie nie może powodować szkodliwych zakłóceń i (2) to urządzenie musi akceptować wszelkie odbierane zakłócenia, w tym zakłócenia, które mogą powodować niepożądane działanie.



ÉLÉMENTS D'EMBALLAGE  
À SÉPARER ET À DÉPOSER  
DANS LE BAC DE TRI



Producent: Shanghai muxin muyeyouxiangongsi Adres:

Shuangchenglu 803nong11hao1602A-1609shi, baoshanqu, szanghaj 200000 CN.

Importowane do AUS: SIHAO PTY LTD, 1 ROKEVA STREET EASTWOOD NSW 2122 Australia

Importowane do USA: Sanven Technology Ltd., Suite 250, 9166 Anaheim Place, Rancho Cucamonga, CA 91730

|                   |  |
|-------------------|--|
| Przedstawiciel UE |  |
|-------------------|--|

E-CrossStu GmbH

Moguncja t. sr 69, 60329 Frankfurt nad Menem.

|                       |  |
|-----------------------|--|
| REP WIELKIEJ BRYTANII |  |
|-----------------------|--|

YH CONSULTING LIMITED.

C/O YH Consulting Limited Biuro 147, Centurion House,  
London Road, Staines-upon-Thames, Surrey, TW18 4AX



**VEVOR**<sup>®</sup>

**TOUGH TOOLS, HALF PRICE**

Wsparcie techniczne i certyfikat gwarancji  
elektronicznej [www.vevor.com/support](http://www.vevor.com/support)

# VEVOR<sup>®</sup>

**TOUGH TOOLS, HALF PRICE**

Technical Support and E-Warranty Certificate

[www.vevor.com/support](http://www.vevor.com/support)

## **DRO DISPLAY USER MANUAL**

**MODEL: YE-150 /YE-200 /YE-300**

We continue to be committed to provide you tools with competitive price.

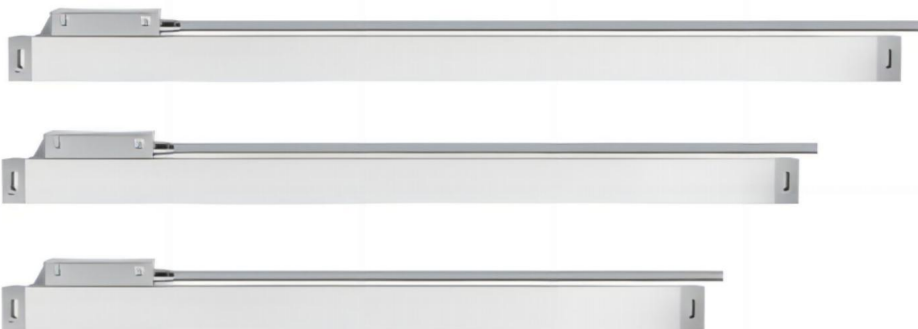
"Save Half", "Half Price" or any other similar expressions used by us only represents an estimate of savings you might benefit from buying certain tools with us compared to the major top brands and does not necessarily mean to cover all categories of tools offered by us. You are kindly reminded to verify carefully when you are placing an order with us if you are actually saving half in comparison with the top major brands.



**VEVOR**<sup>®</sup>  
TOUGH TOOLS, HALF PRICE

**DRO DISPLAY**

**MODEL:** YE-150 /YE-200 /YE-300



**HULP NODIG? NEEM CONTACT MET ONS OP!**

Heeft u vragen over het product? Heeft u technische ondersteuning nodig? Neem dan gerust contact met

ons op: **Technische ondersteuning en E-garantiecertificaat**  
**[www.vevor.com/support](http://www.vevor.com/support)**

Dit is de originele instructie, lees alle handleidingen zorgvuldig door voordat u het product gebruikt. VEVOR behoudt zich een duidelijke interpretatie van onze gebruikershandleiding voor. Het uiterlijk van het product is afhankelijk van het product dat u hebt ontvangen. Vergeef ons dat we u niet opnieuw zullen informeren als er technologie- of software-updates voor ons product zijn.

Dear Users:

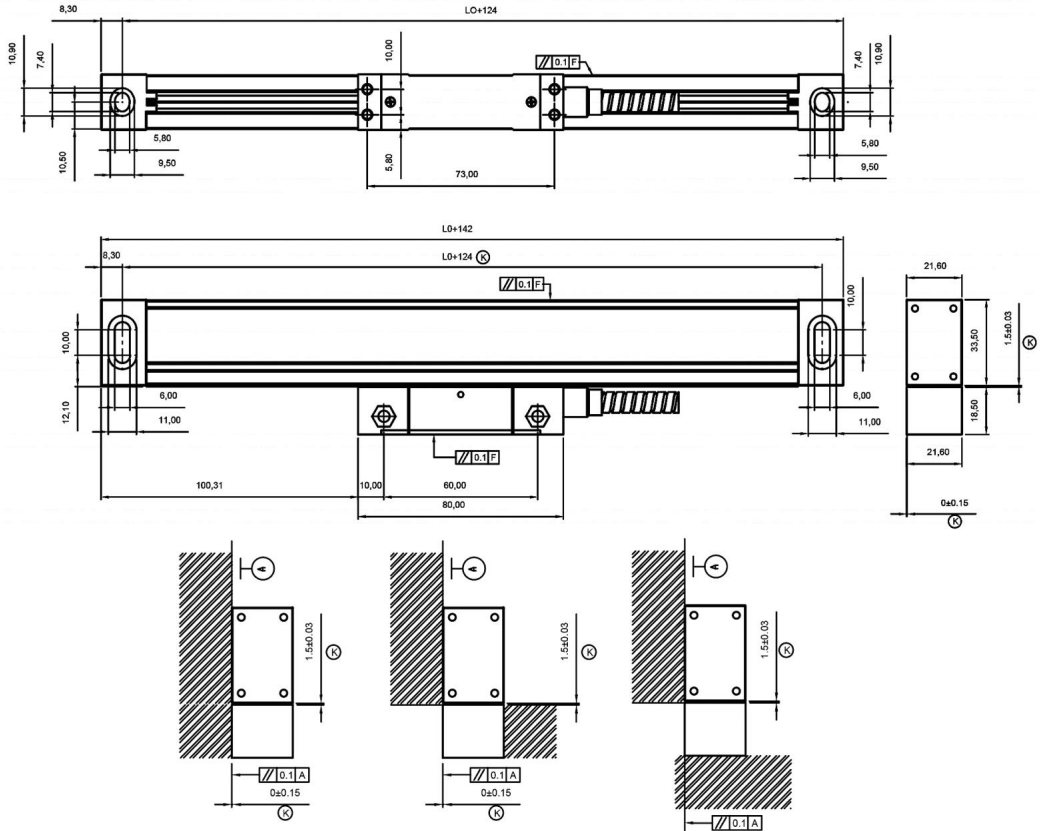
Thank you for purchasing multifunction series digital readouts. Digital readouts are used in a wide variety of application. These include machine tools, infeed axes, measuring and inspection equipment, EDM, dividing apparatuses, setting tools, and measuring stations for production control. In order to meet the requirements of these applications, many encoders can be connected to the digital readouts. Read all the instructions in the manual carefully before used and strictly follow them. Keep the manual for future references.

Safety attention:

- ⌘ To prevent electric shock or fire, moisture or directly sprayed cooling liquid must be avoid. In case of any smoke or peculiar smell from the digital readout, please unplug the power plug immediately, otherwise, fire or electric shock may be caused. In such a case, do not try to repair it, please contact the Company or distributors.
- ⌘ Digital readout is a precise measuring device used with an optical Linear Scale. When it is in use, if the connection between the Linear Scale and the digital readout is broken or damaged externally, incorrect measuring values may be resulted. Therefore, the user should be careful.
- ⌘ Do not try to repair or modify the digital readout, otherwise, failure, fault or injury may occur. In case of any abnormal condition, please contact the Company or distributor.
- ⌘ If the optical Linear Scale used with the digital readout is damaged, do not use a Linear Scale of other brand. Because the performance, specification and connection of the products of different and can not be connected without the instruction of specialized technical personnel, otherwise, trouble will be caused to the digital readout.
- ⌘ With the continuous updating of products, if there are changes or changes to the sample parameters, the random files shall prevail, and the company has the final interpretation right without notice.



# Installatiemethode:



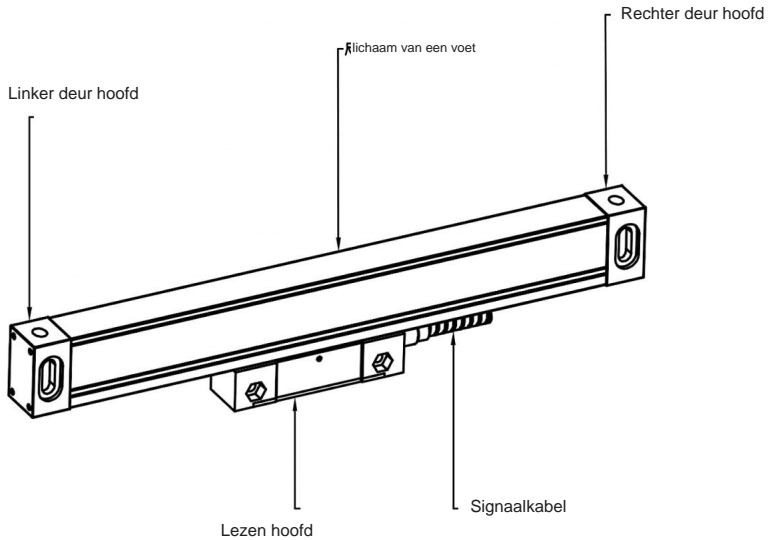
## Standaardmaat Eenheid mm

| Model    |     | L1  | L2  | Model     | L0   | L1   | L2   |
|----------|-----|-----|-----|-----------|------|------|------|
| JAAR-50  | 50  | 174 | 190 | JIJ-550   | 550  | 674  | 690  |
| JAAR-100 | 100 | 224 | 240 | JA-600    | 600  | 724  | 740  |
| JAAR-150 | 150 | 274 | 290 | JA-650    | 650  | 774  | 790  |
| JAAR-200 | 200 | 324 | 340 | JAAR-700  | 700  | 824  | 840  |
| JAAR-250 | 250 | 374 | 390 | JIJ-750   | 750  | 874  | 890  |
| JAAR-300 | 300 | 424 | 440 | JA-800    | 800  | 924  | 940  |
| JAAR-350 | 350 | 474 | 490 | JIJ-850   | 850  | 974  | 990  |
| JA-400   | 400 | 524 | 540 | JIJ-900   | 900  | 1024 | 1040 |
| JAAR-450 | 450 | 574 | 590 | JIJ-950   | 950  | 1074 | 1090 |
| JAAR-500 | 500 | 624 | 640 | JAAR-1000 | 1000 | 1124 | 1140 |

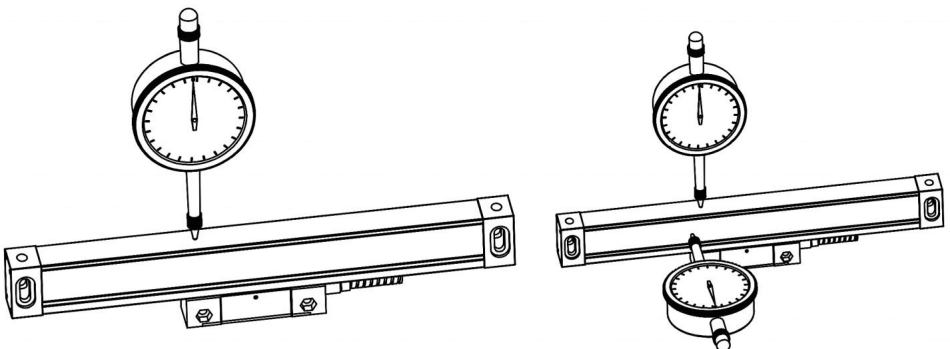
L0: Effectieve meetlengte van de lineaire encoder; L1: Lengte van de montagegaten van de lineaire encoder; L2: Totale lengte van de lineaire encoder

## Onderhoud:

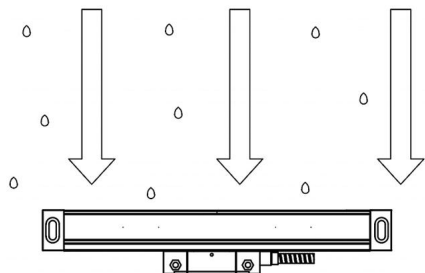
1. De effectieve slag van de lineaire encoder moet langer zijn dan de maximale slag van de machinetoel. Als de lengte niet voldoende is, vervang dan de lineaire encoder door een grotere slag of voeg een limietblok toe aan de machines. De eindpositie van de leeskop vanaf het einde van de lineaire encoderbehuizing moet niet minder dan 10 mm ruimte zijn (zie het volgende diagram).



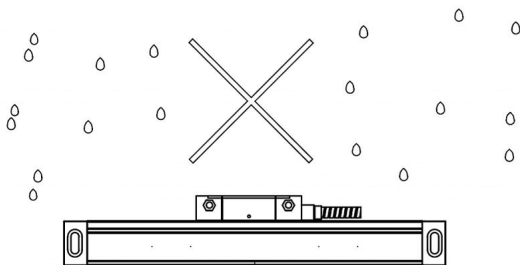
2. Voor elk niet-bewerkt oppervlak moet een vulstuk op de achterkant van de lineaire encoder worden geplaatst of moet een door de gebruiker gemaakte installatievulstuk worden gebruikt om de stabiliteit en betrouwbaarheid van de verbinding tussen de roosterliniaal en het montageoppervlak te garanderen.
3. Wanneer u een meetklok of een soortgelijk instrument gebruikt om de paralleliteit van de lineaire encoder te kalibreren, moet de hoek van de zijkop binnen  $\pm 30$  graden liggen. Hoe kleiner de hoek, hoe beter.



4. De installatiepositie van de lineaire encoder moet directe impact van ijzervijlsel, olie, water en stof vermijden (zoals weergegeven in de onderstaande afbeelding). De installatielengte van de L-plaat moet zo kort mogelijk zijn onder mogelijke omstandigheden en de krachtsituatie van het montageoppervlak moet in overweging worden genomen.

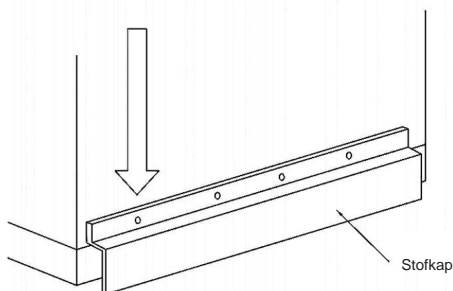
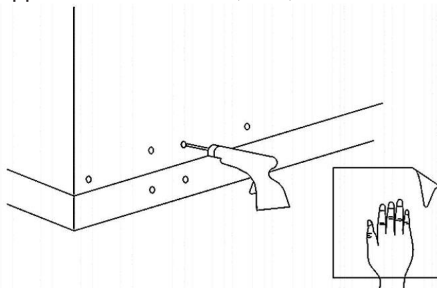


Correcte installatie

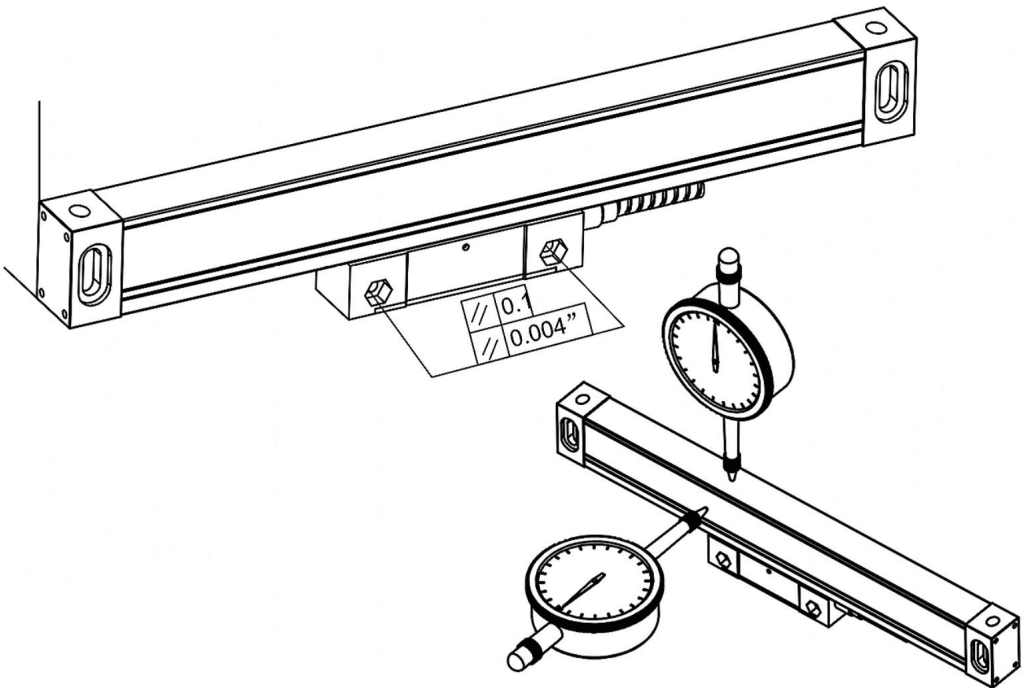


Verkeerde installatie

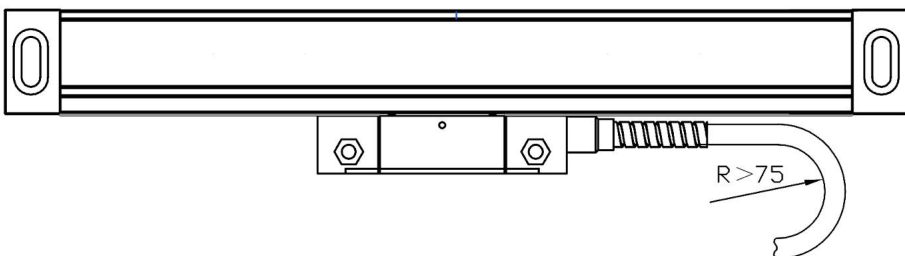
5. Er moet een opening van 0,5 mm of meer zijn tussen de stofkap en het liniaallichaam. Vermijd contact tussen de stofkap en het liniaallichaam wanneer u de leeskop beweegt (zoals hieronder).
6. Installatieschroefdraaddiepte, moet minimaal 6 tanden vergrendelingsdiepte hebben; kracht groter deel, zoals het ondersteunen van de digitale display meter plank vaste plaat, moet 8 tanden van vergrendeling diepte; YE serie van schaal, de diepte van de draad diepte van de vergrendeling diepte. Zoals het ondersteunen van de digitale display meter plank vaste plaat, moet meer dan 8 tanden vergrendeling diepte; YE serie schaal Met M4 schroeven geïnstalleerd montage oppervlak tikken na oppervlakte ontbramen, verf, vlekken verwijderen. (De volgende afbeelding)



7. Bij het bevestigen van de signaallijn moet rekening worden gehouden met alle relevante bewegingsafstanden.  
De bevestigingspositie wordt zo ver mogelijk in het midden van de slag geplaatst en de overtollige signaallijn wordt met een kabelbinder vastgezet.
8. De aanpassing van het schaalhoogteniveau moet de lengte van het schaalcentrum zijn om de twee zijden van het symmetriepunt te nemen. Pas het referentiepunt aan, elke schaal, ongeacht de richting van het schoolniveau of de hoogterichting, het aanpassingsbereik: voor het schaallichaam, tot de kop van het schaallichaam op een afstand van niet meer dan 20 mm van elk uiteinde zal prevaleren. Voor de leeskop, tussen de twee vierhoekige referentieoppervlakken (de volgende afbeelding)



9. De buigradius van de signaallijn van de weegschaal is groter dan 60 mm.



## 10. Schaalinstallatie standaard

### (1) Installatiebasisoppervlaktestandaard (Figuur 4.8abc drie installatiemethoden)

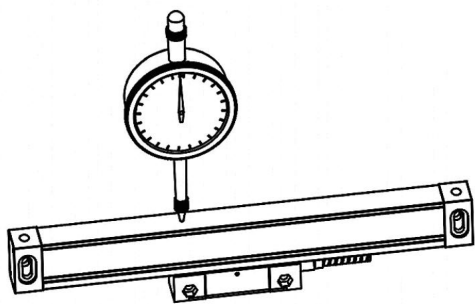
1. Het installatieoppervlak van het liniaallichaam is evenwijdig aan het installatieoppervlak van de leeskop en de parallelleiteit tussen de installatieoppervlakken is  $<0,1$  mm
2. Het installatieoppervlak van het liniaallichaam staat loodrecht op de installatieoppervlak van de leeskop, en de loodrechtheid tussen de installatieoppervlakken is  $<0,1$  mm

### 2) Installatienormen voor het liniaallichaam (Figuur 4.9, Figuur 4.10)

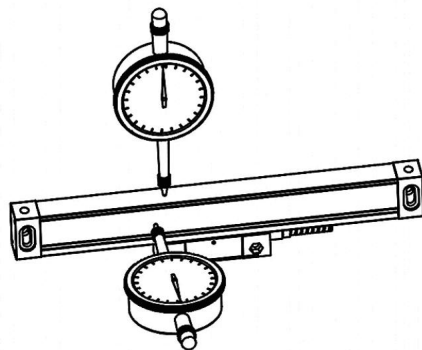
1. Hoogterichting ten opzichte van de machinegeleider, parallelleiteit  $<0,1$  mm, maximaal niet meer dan  $0,15$  mm. Wat betreft het symmetriepunt geldt: hoe kleiner, hoe beter.

### 3) Standaard van leeskopinstallatie

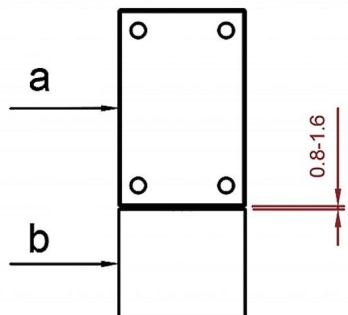
1. De speling tussen de leeskop en de hoogterichting van het liniaallichaam bedraagt na installatie  $0,8$  mm -  $1,6$  mm en trek vervolgens het padblok terug (Figuur 4.11)



4.9



4.10



2. Lees de kop aan de A-kant en de liniaal aan de B-kant.

Verkeerde uitlijning in horizontale richting.  
 $0,25 \pm 0,15$  mm

3. Parallelleiteit van de leeskop ten opzichte van machinegereedschap  $<0,10$  mm, maximaal kan niet groter zijn dan  $0,30$  mm

Dit apparaat voldoet aan Deel 15 van de FCC-regels. De werking is onderworpen aan de volgende twee voorwaarden: (1) Dit apparaat mag geen schadelijke interferentie veroorzaken, en (2) dit apparaat moet alle ontvangen interferentie accepteren, inclusief interferentie die ongewenste werking kan veroorzaken.



ÉLÉMENTS D'EMBALLAGE  
À SÉPARER ET À DÉPOSER  
DANS LE BAC DE TRI



**Fabrikant:** Shanghai muxin muyeyouxiangongsi **Adres:**

Shuangchenglu 803nong11hao1602A-1609shi, baoshanqu, shanghai 200000 CN.

**Geïmporteerd naar AUS:** SIHAO PTY LTD, 1 ROKEVA STREET EASTWOOD NSW 2122  
Australië

**Geïmporteerd naar de VS:** Sanven Technology Ltd., Suite 250, 9166 Anaheim Place, Rancho  
Cucamonga, CA 91730



E-CrossStu GmbH  
Mainzland t. sr 69, 60329 Frankfurt am Main.



YH CONSULTING LIMITED.  
C/O YH Consulting Limited Kantoor 147, Centurion House,  
Londen Road, Staines-upon-Thames, Surrey, TW18 4AX



**VEVOR**<sup>®</sup>

**TOUGH TOOLS, HALF PRICE**

Technische ondersteuning en e-garantiecertificaat  
[www.vevor.com/support](http://www.vevor.com/support)



# **VEVOR<sup>®</sup>**

## **TOUGH TOOLS, HALF PRICE**

Technical Support and E-Warranty Certificate

[www.vevor.com/support](http://www.vevor.com/support)

## **DRO DISPLAY USER MANUAL**

**MODEL: YE-150 /YE-200 /YE-300**

We continue to be committed to provide you tools with competitive price.

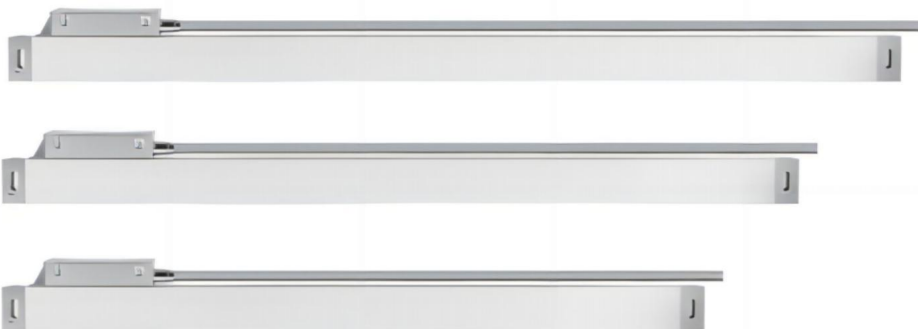
"Save Half", "Half Price" or any other similar expressions used by us only represents an estimate of savings you might benefit from buying certain tools with us compared to the major top brands and does not necessarily mean to cover all categories of tools offered by us. You are kindly reminded to verify carefully when you are placing an order with us if you are actually saving half in comparison with the top major brands.



**VEVOR**<sup>®</sup>  
TOUGH TOOLS, HALF PRICE

**DRO DISPLAY**

**MODEL:** YE-150 /YE-200 /YE-300



### **BEHÖVER HJÄLP? KONTAKTA OSS!**

Har du produktfrågor? Behöver du teknisk support? Kontakta oss gärna: **Teknisk support och e-garanticertifikat [www.vevor.com/support](http://www.vevor.com/support)**

Detta är den ursprungliga instruktionen, läs alla instruktioner noggrant innan du använder den. VEVOR reserverar sig för en tydlig tolkning av vår användarmanual. Utseendet på produkten är beroende av den produkt du fått. Ursäkta oss att vi inte kommer att informera dig igen om det finns någon teknik eller mjukvaruuppdateringar på vår produkt.

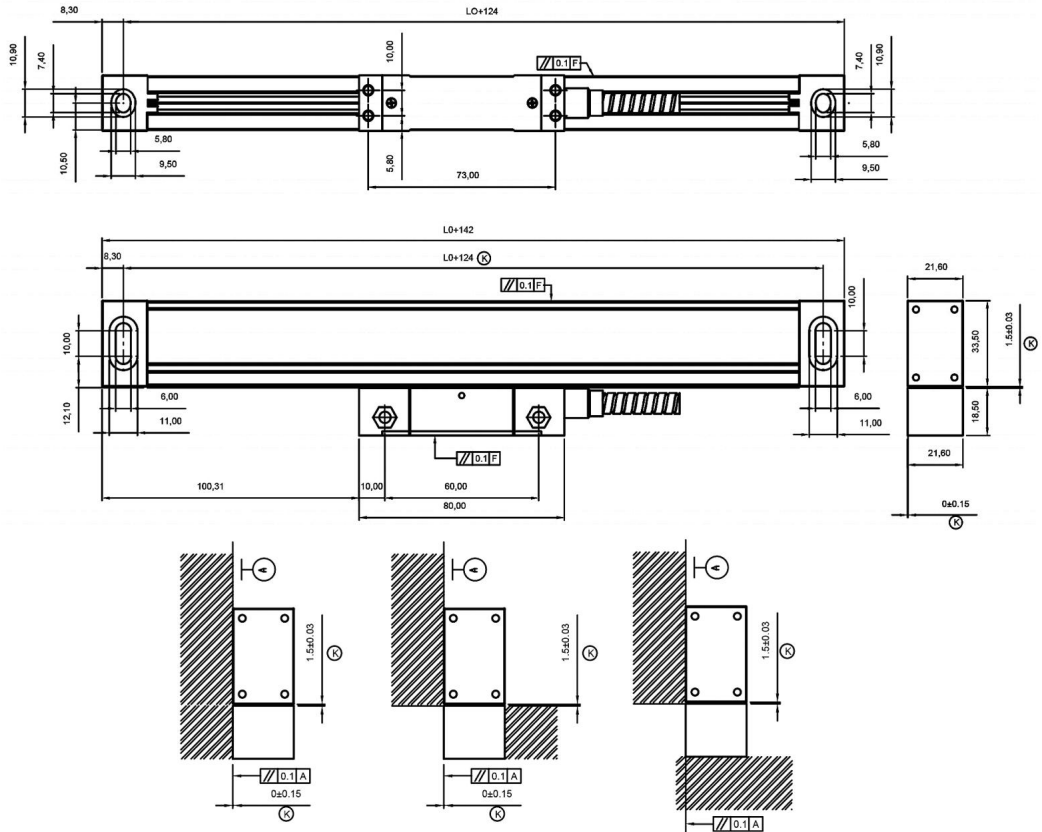
Dear Users:

Thank you for purchasing multifunction series digital readouts. Digital readouts are used in a wide variety of application. These include machine tools, infeed axes, measuring and inspection equipment, EDM, dividing apparatuses, setting tools, and measuring stations for production control. In order to meet the requirements of these applications, many encoders can be connected to the digital readouts. Read all the instructions in the manual carefully before used and strictly follow them. Keep the manual for future references.

Safety attention:

- ⌘ To prevent electric shock or fire, moisture or directly sprayed cooling liquid must be avoid. In case of any smoke or peculiar smell from the digital readout, please unplug the power plug immediately, otherwise, fire or electric shock may be caused. In such a case, do not try to repair it, please contact the Company or distributors.
- ⌘ Digital readout is a precise measuring device used with an optical Linear Scale. When it is in use, if the connection between the Linear Scale and the digital readout is broken or damaged externally, incorrect measuring values may be resulted. Therefore, the user should be careful.
- ⌘ Do not try to repair or modify the digital readout, otherwise, failure, fault or injury may occur. In case of any abnormal condition, please contact the Company or distributor.
- ⌘ If the optical Linear Scale used with the digital readout is damaged, do not use a Linear Scale of other brand. Because the performance, specification and connection of the products of different and can not be connected without the instruction of specialized technical personnel, otherwise, trouble will be caused to the digital readout.
- ⌘ With the continuous updating of products, if there are changes or changes to the sample parameters, the random files shall prevail, and the company has the final interpretation right without notice.

# Installationsmetod:



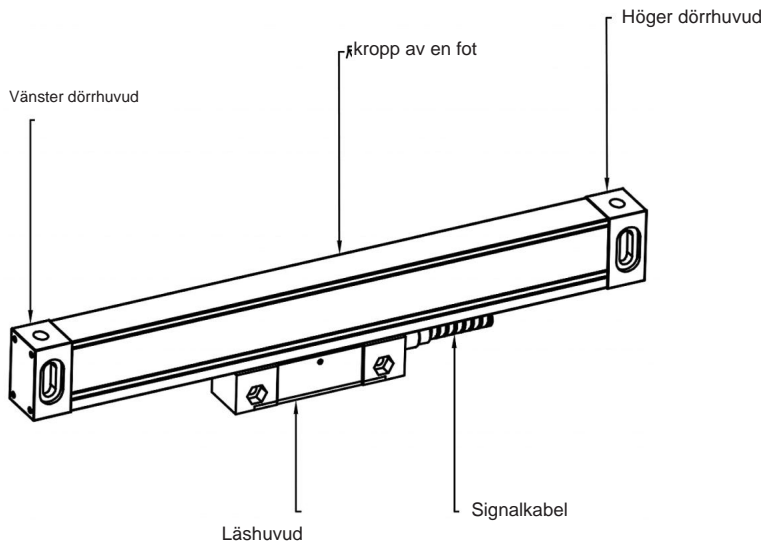
## StandardstorlekEnhetmm

| Modell |     | L1  | L2  | Modell  | L0   | L1   | L2   |
|--------|-----|-----|-----|---------|------|------|------|
| YE-50  | 50  | 174 | 190 | YE-550  | 550  | 674  | 690  |
| YE-100 | 100 | 224 | 240 | YE-600  | 600  | 724  | 740  |
| YE-150 | 150 | 274 | 290 | YE-650  | 650  | 774  | 790  |
| YE-200 | 200 | 324 | 340 | YE-700  | 700  | 824  | 840  |
| YE-250 | 250 | 374 | 390 | YE-750  | 750  | 874  | 890  |
| YE-300 | 300 | 424 | 440 | YE-800  | 800  | 924  | 940  |
| YE-350 | 350 | 474 | 490 | YE-850  | 850  | 974  | 990  |
| YE-400 | 400 | 524 | 540 | YE-900  | 900  | 1024 | 1040 |
| YE-450 | 450 | 574 | 590 | YE-950  | 950  | 1074 | 1090 |
| YE-500 | 500 | 624 | 640 | YE-1000 | 1000 | 1124 | 1140 |

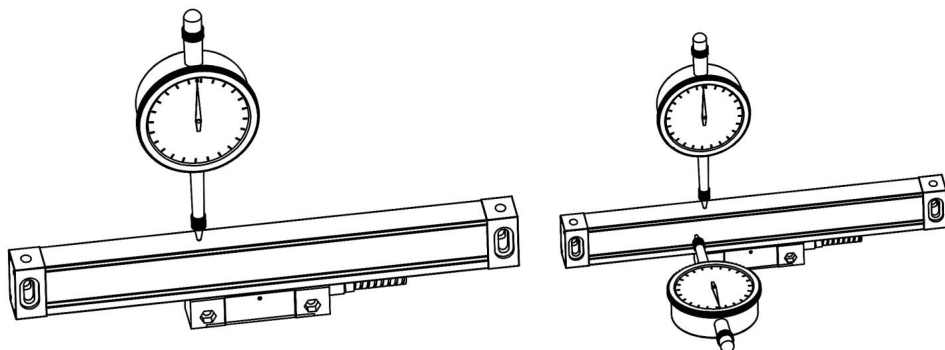
L0: Effektiv mätlängd för linjärgivaren; L1: Längd på monteringshål för linjär kodare; L2: Linjär givare total längd

## Underhåll:

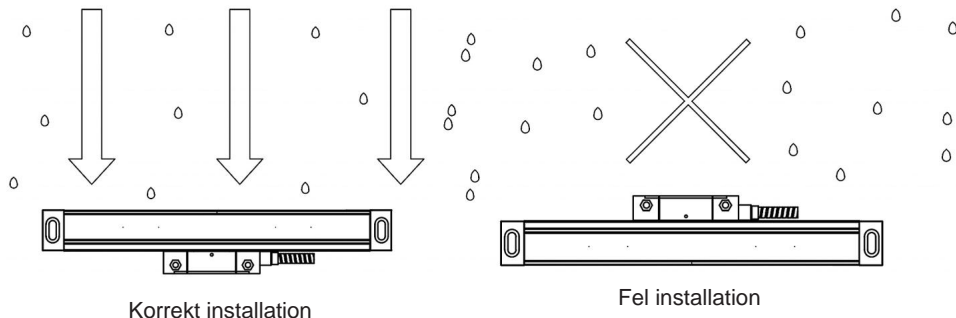
1. Den effektiva rörelsen för linjärgivaren bör vara längre än max rörelse av verktygsmaskinen. Om längden inte räcker, byt ut den linjära pulsgivaren med ett större slag eller lägg till ett gränblock på maskinerna. Lëshuvudets ändposition från änden av den linjära givarens kropp bör inte vara mindre än 10 mm utrymme, (se följande diagram).



2. För alla icke-bearbetade ytor måste ett mellanlägg placeras på baksidan av den linjära omkodaren eller så måste ett användartillverkat installationsunderlägg användas för att säkerställa stabiliteten och tillförlitligheten hos anslutningen mellan gallerlinjalen och monteringsytan.
3. När du använder en mätklocka eller liknande instrument för att kalibrera parallelliteten hos den linjära kodaren, måste vinkeln på sidohuvudet vara inom  $\pm 30$  grader, och ju mindre vinkeln är, desto bättre.



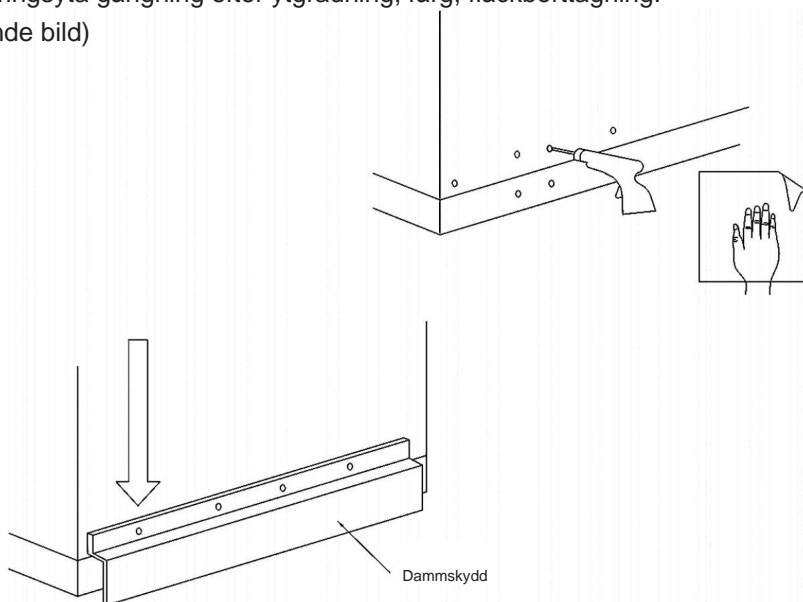
4. Installationspositionen för den linjära omkodaren måste undvika direkta stötar från järnspån, olja, vatten och damm (som visas i figuren nedan). Installationslängden på L-plåten bör vara så kort som möjligt under möjliga omständigheter, och kraftsituationen för monteringsytan måste beaktas.



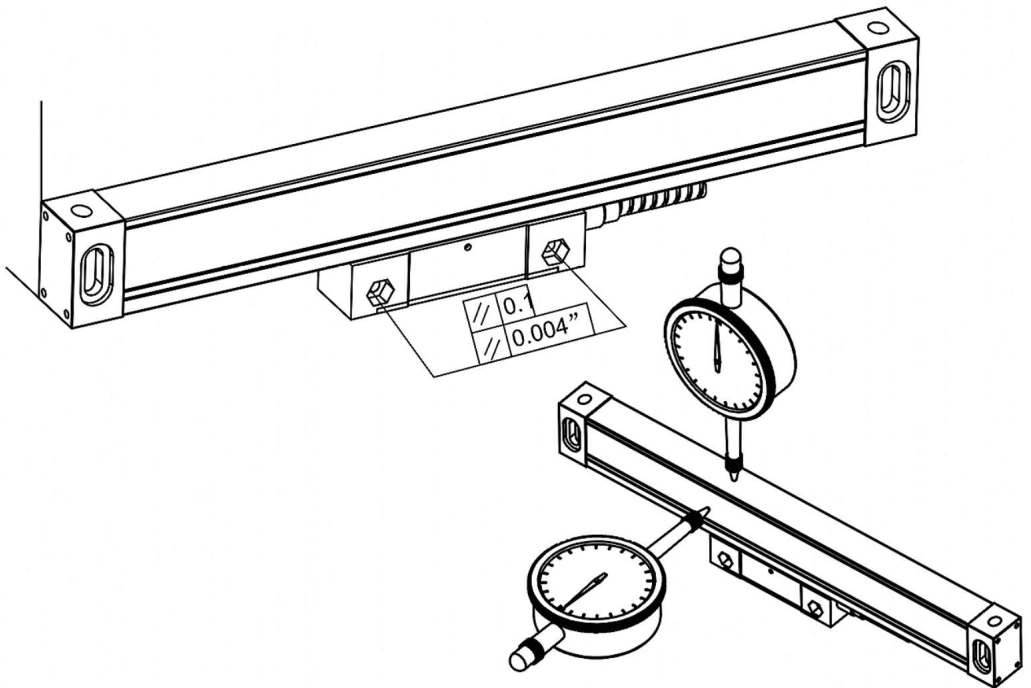
5. Det måste finnas ett mellanrum på 0,5 mm eller mer mellan dammskyddet och linjalkroppen, och undvik kontakt mellan dammskyddet och linjalkroppen när du flyttar läshuvudet (enligt nedan).

6. Installationsskruvens gängdjup, minst måste ha 6 tänder med lås djup; kraft större del, såsom att stödja den digitala displayen mätare hyllan fast platta, måste ha 8 tänder låsningsdjup; YE serie av skala, djupet av gängan djupet av låsningsdjupet. Såsom att stödja den digitala displayen mätare hyllan fast platta, måste ha mer än 8 tänder låsning djup; YE-seriens skala Med M4-skrivar installerade monteringsyta gängning efter ytgradning, färg, fläckborttagning.

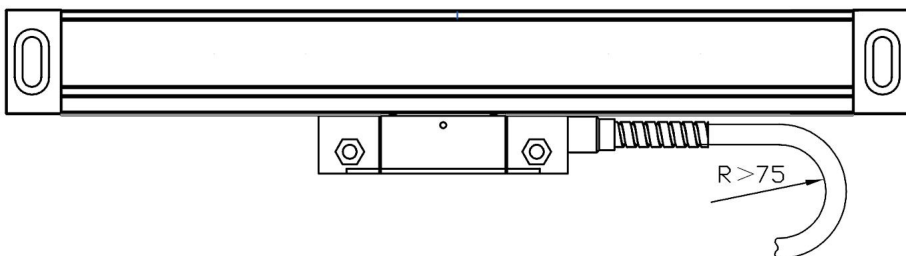
(Följande bild)



7. Fixeringen av signalledningen måste ta hänsyn till alla relevanta rörelseavstånd. Fixeringsposition så långt som möjligt placerad i mitten av slaget, och överskottssignalledningen fixeras med en wire tie.
8. Justering av skalans höjdnivå måste vara längden på skalans centrum för att ta de två sidorna av symmetripunkten. Justera referenspunkten, vilken skala som helst oavsett skolnivåns riktning eller höjdriktning, justeringsområde: för skalans kropp, till huvudet från vågkroppen på ett avstånd av högst 20 mm från varje ände ska råda. För läshuvudet, mellan de två fyrsidiga referensytorna (följande bild)



9. Böjningsradien för vågens signallinje är större än 60 mm.





## 10. Skala installationsstandard

### (1) Ytstandard för installationsbas (Figur 4.8abc tre installationsmetoder)

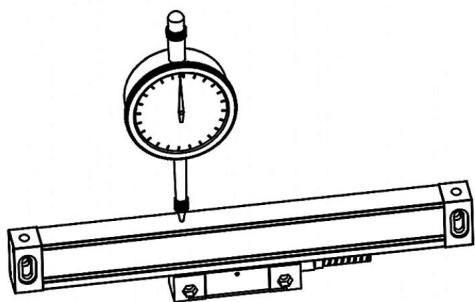
1. Linjalkroppens installationsyta är parallell med läshuvudets installationsyta och parallelliteten mellan installationsytorna är  $<0,1$  mm
2. Linjalkroppens installationsyta är vinkelrät mot installationen läshuvudets yta, och vinkelrätheten mellan installationsytorna är  $<0,1$  mm

### 2) Installationsstandarder för linjalkropp (Figur 4.9, Figur 4.10)

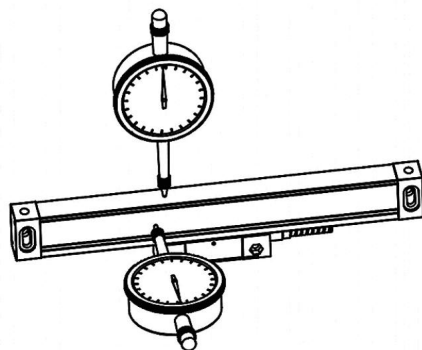
1. Höjdriktning i förhållande till maskinstyrningens parallellitet  $<0,1$  mm, max inte mer än 0,15 mm  
När det gäller symmetripunkten, ju mindre desto bättre.

### 3) Standard för installation av läshuvud

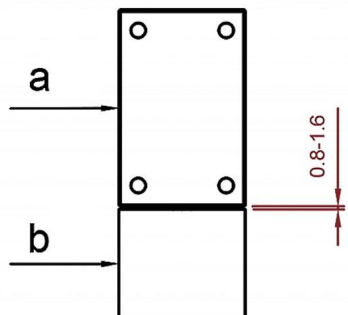
1. Spelet mellan läshuvudet och linjalkroppens höjdriktning är 0,8 mm-1,6 mm efter installation, och dra sedan tillbaka dynblocket (Figur 4.11)



4.9



4.10



2. Läshuvud a sida och linjalkropp B sida.

Felinriktning i horisontell riktning.

$0,25 \pm 0,15$  mm

3. Parallellism av läshuvud i förhållande till verktygsmaskin  $<0,10$  mm, max kan inte överstiga 0,30 mm

**Denna enhet uppfyller del 15 av FCC-reglerna. Driften är föremål för följande två villkor: (1) Den här enheten får inte orsaka skadliga störningar och (2) den här enheten måste acceptera alla mottagna störningar, inklusive störningar som kan orsaka oönskad funktion.**



**ÉLÉMENTS D'EMBALLAGE  
À SÉPARER ET À DÉPOSER  
DANS LE BAC DE TRI**



**Tillverkare:** Shanghaimuxinmuyeyouxiangongsi **Adress:**

Shuangchenglu 803nong11hao1602A-1609shi, baoshanqu, shanghai 200000 CN.

**Importerad till AUS:** SIHAO PTY LTD, 1 ROKEVA STREETEASTWOOD NSW 2122 Australien

**Importerad till USA:** Sanven Technology Ltd., Suite 250, 9166 Anaheim Place, Rancho Cucamonga, CA 91730



E-CrossStu GmbH

Mainz Land t. sr 69, 60329 Frankfurt am Main.



YH CONSULTING LIMITED.

C/O YH Consulting Limited Office 147, Centurion House,  
London Road, Staines-upon-Thames, Surrey, TW18 4AX



**VEVOR**<sup>®</sup>

**TOUGH TOOLS, HALF PRICE**

Teknisk support och e-garanticertifikat  
[www.vevor.com/support](http://www.vevor.com/support)