

VEVOR[®]

TOUGH TOOLS, HALF PRICE

Technical Support and E-Warranty Certificate www.vevor.com/support

ELECTRIC STORAGE WATER HEATER

MODEL:DX-14VA(M,S)

We continue to be committed to provide you tools with competitive price.

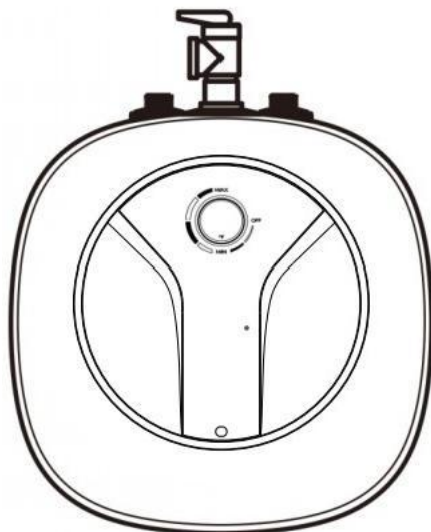
"Save Half", "Half Price" or any other similar expressions used by us only represents an estimate of savings you might benefit from buying certain tools with us compared to the major top brands and does not necessarily mean to cover all categories of tools offered by us. You are kindly reminded to verify carefully when you are placing an order with us if you are actually saving half in comparison with the top major brands.

VEVOR®

TOUGH TOOLS, HALF PRICE

**ELECTRIC STORAGE
WATER HEATER**

MODEL:DX-14VA(M,S)



NEED HELP? CONTACT US!

Have product questions? Need technical support? Please feel free to contact us:

Technical Support and E-Warranty Certificate
www.vevor.com/support

This is the original instruction, please read all manual instructions carefully before operating. VEVOR reserves a clear interpretation of our user manual. The appearance of the product shall be subject to the product you received. Please forgive us that we won't inform you again if there are any technology or software updates on our product.



Warning-To reduce the risk of injury, users must read instructions manual carefully



FCC statement:

This device complies with Part 15 of the FCC Rules. Operation is subject to the following two conditions:(1)This device may not cause harmful interference, and (2)this device must accept any interference received, including interference that may cause undesired operation.

● **Warning**

1. Read all safety warnings, instructions, illustrations and specifications provided with this electrical appliance. Failure to follow all instructions listed below may result in electric shock, fire and/or serious injury.
2. TIPS:This device is not suitable for bathing.
3. The pressure relief temperature of the T/P valve may cause scalding.
4. Scalding may occur if the temperature is set to more than 122F . It must be mixed with cold water before use.
5. The appliance uses a 120V~/60Hz power supply.
6. Do not pull or plug the power plug with wet hands.
7. Do not close the water inlet valve, and do not turn on the power supply when the appliance is not filled with water, so as not to damage the appliance.
8. The safe service life is 8 years. When the product is still used after the safe service life, it may cause fire or injury due to the deterioration of quality as years of disrepair.
9. Do not allow children to operate the appliance to avoid accidental injury.
10. This appliance can be used by children aged from 8 years and above and persons with reduced physical, sensory or mental capabilities or lack of experience and knowledge if they have been given supervision or instruction concerning use of the appliance in a safe way and understand

the hazards involved. Children shall not play with the appliance. Cleaning and user maintenance shall not be done by children without supervision.

11. If the supply cord is damaged, it must be replaced by the manufacturer, its service agent or similarly qualified persons in order to avoid a hazard.

• Caution

1. Please confirm the water temperature before use to avoid too low or too high.

2. Turn the thermostat to the lowest temperature before unplugging the power plug.

3. Periodically pull the T/P valve handle to check whether the relief valve drain is unblocked. If not, please get in touch with us.

4. In cold areas, when the appliance is not used for a long time in winter, the water should be emptied to prevent the appliance from freezing and damage.

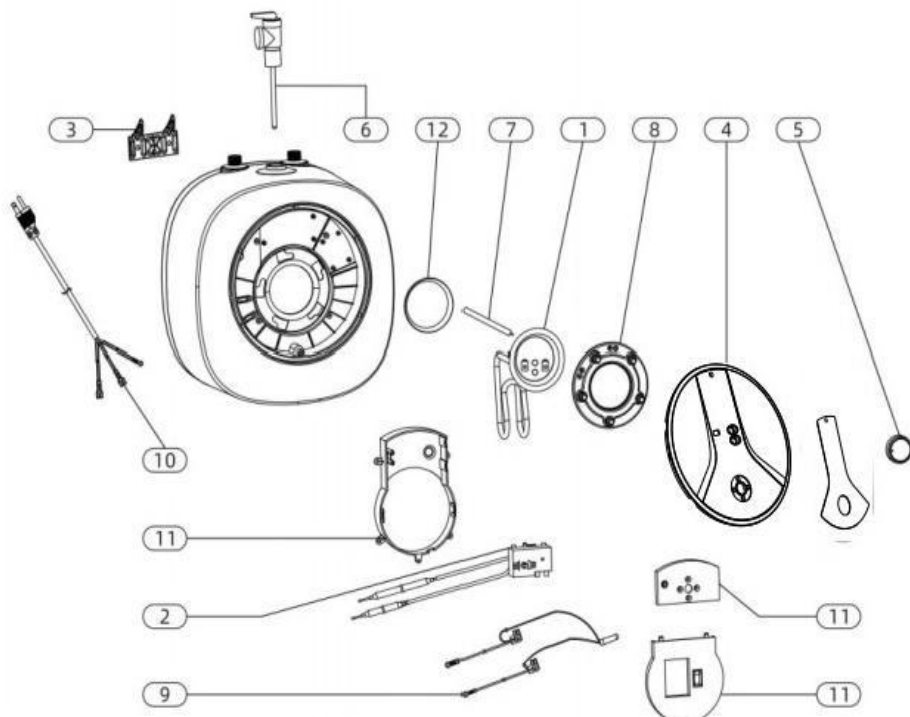
5. When the appliance is installed under the sink, check frequently whether the sink is leaking to avoid danger to the appliance.

SAVE THESE INSTRUCTIONS

PRODUCT SPECIFICATIONS

Model Parameter	D10-14VA(M,S)	D15-14VA(M,S)	D30-14VA(M,S)
Rated Capacity	2.5 Gallon	4.0 Gallon	8.0 Gallon
Rated Power	1440W		
Rated Voltage/Frequency	120V~/60Hz		
Rated Pressure	150 psi		
Waterproofing Grade	IPX4		
Setting Temperature Range	55 to 145°F		
Min. required circuit breaker	20A		

INTERIOR COMPONENTS DIAGRAM



Part	Description
1	HEATING ELEMENT 1440W
2	THERMOSTAT
3	HEATER WALL HANGING BRACKET
4	PLASTIC COVER
5	KNOB
6	VALVE T&P 3/4(Attached in the product package.)
7	MAGNESIUM ANODE D:20 L:120 MM
8	GASKET WITH 5 BOLTS
9	LAMP
10	POWER CABLE
11	FIREPROOE COMPONENT
12	GASKET

INSTALLATION PRECAUTIONS

- The wall for mounting the appliance shall withstand at least fourfold of the total mass of the appliance when filled with water. Take reliable reinforcement measures when necessary.
- Appliances should be installed near frequent water points to reduce pipeline heat loss.
- Adequate space must be left around the appliance to facilitate future maintenance. When the appliance is installed above the ceiling, the ceiling shall have a movable plate and a maintenance window for removing and installing the appliance.
- Safety drainage measures such as floor drains must be in place to prevent leakage of appliances from causing damage to other facilities.
- It must be installed indoors and where the temperature of the link is above 32°F, so as not to cause ice to break the water pipe of the tank.
- There should be no flammable or explosive objects around the installation appliance.
- Do not reverse connection of inlet and outlet water pipes. Sealing gaskets should be installed at the interface of inlet and outlet water pipes, and the rotating force should be appropriate during installation.
- A T/P valve (a pressure relief device) shall be installed in the middle of the inlet and outlet of the appliance through which water may flow out of the relief valve drainpipe. The outlet of the T/P valve shall be maintained in contact with the atmosphere. The drain pipe should be securely fixed at the T/P valve.
- The attachments provided by our company must be used.
- Sockets providing power to appliances must be reliably grounded. Do not install power sockets in places that may be damp or wet.
- The installation must be performed by professional installation personnel.

PACKING LIST

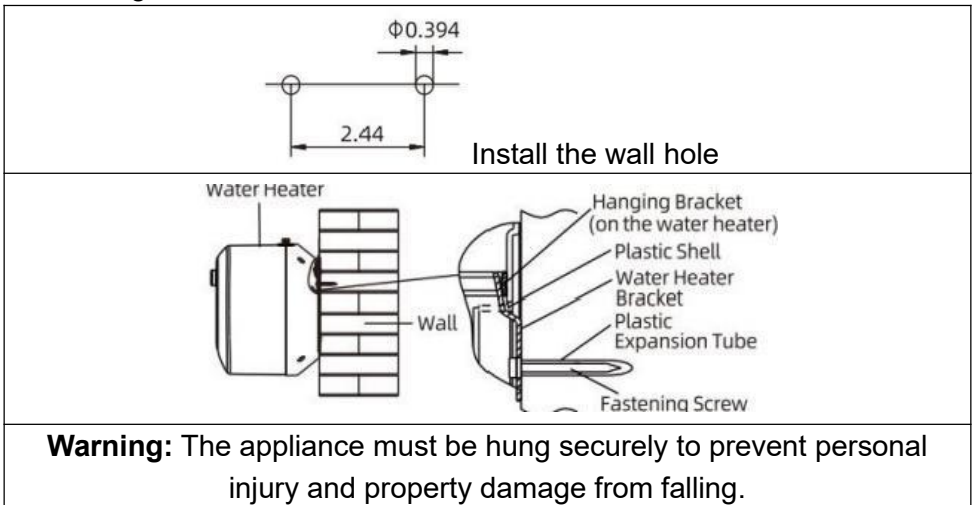
Name	Quantity	Name	Quantity
Water Heater	1	Bracket	1
User Manual	1	Plastic Expansion Tube	2
Safety valve	1	Fastening Screw	2

METHODS OF INSTALLATION

● Equipment Installation

① After the installation position of the appliance is determined, drill two holes with a spacing of 2.44 inch and a diameter of $\phi 0.394$ inch in the horizontal direction of the wall according to the size as shown in the following figure, and the hole depth shall not be less than 2.76 inch. Insert two plastic expansion tubes into the hole, and secure the host mounting plate with fastening screws.

② Align the two hanging holes on the back of the appliance with the two hooks of the hanging plate and pull down with force to make the hanging holes hang into the hook.

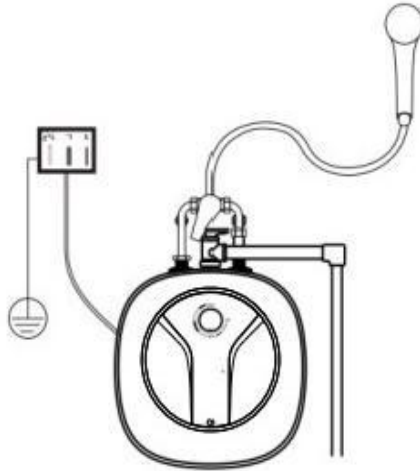


Warning: The appliance must be hung securely to prevent personal injury and property damage from falling.

Tube Connection

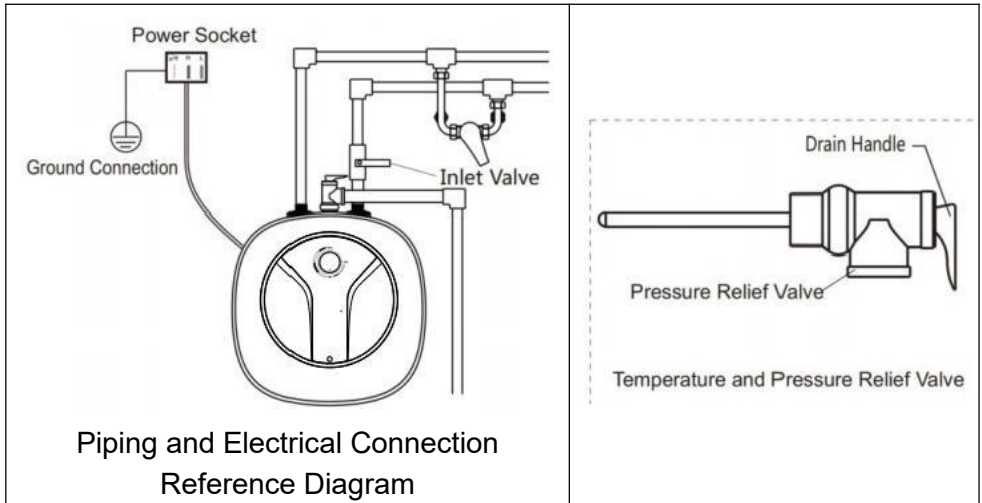
This appliance's specification of inlet and outlet water interface is NPT 1/2". Connect pipes according to the following figure.

- ① Connect T/P valve in the middle of the inlet and outlet of the appliance
- ② Insert the drain pipe into the right side of the T/P valve outlet, the other end of the continuous down to the safe drainage (such as into the floor drain), the drain pipe should be unobstructed installation, and the T/P valve outlet is connected with the atmosphere.
- ③ When the water inlet pressure is more than 150 psi, an additional safety valve should be added to the water inlet T/P valve.



● Multiple Outlet Connection

If the user wants to implement a multi-pipe supply system, please refer to the method shown on the drawing for connection.



Notice

1. The rated pressure of T/P valve is 150 psi. Therefore, when the pressure of the pipeline system exceeds its rated pressure, T/P valve will automatically drain and relieve pressure, and water flow out of the outlet is normal.
2. The drain pipe connected to the pressure relief device (T/P valve) must be installed continuously downward in a frost-free environment. (Lead the other end continuously below to a safe drain (such as into a floor drain) to prevent hot water from flowing out).
3. The blue is the water inlet, and the red is the water outlet.
4. If the hot water pipe is too long, it should be insulated to reduce heat loss.
5. When setting a power socket, determine the installation position according to the actual length of the cable.

Test Run

- ① After all installation is completed, open all valves in the pipeline, then open the water tap, fill the appliance with water and close the hot water tap. Check whether the pipes are leaking. If so, reconnect the pipes.
- ② Unscrew the stop screw at the handle of T/P valve, pull the handle of the

T/P valve and check whether the water discharge of the T/P valve is smooth (continuous water outlet means normal).

③ After confirming normal operation, switch on the power and run the appliance according to the operation method section. Power off and disconnect when all is well.

METHOD OF USAGE

● Water Injection

When the water heater is used for the first time or used again after an outage for a long time, it should inject water. Open all valves in the pipeline, then turn on the hot water tap.

When the water continuously flows, it replies that the water heater has been filled with water. So turn off the hot water tap, keep the cold water pipe valve opening, and ensure that cold water can automatically be added after hot water usage. And make appliance has always been filled with water.

● Switch on Power

Insert the power plug into a reliable electric grounding outlet, switch on the power, and the power indicator will lighten; according to the following method to adjust the temperature control knob, the water heater immediately operates.

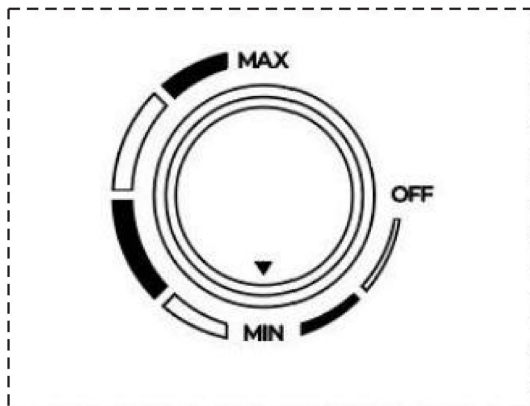
Temperature Regulation

Adjust the temperature with the temperature control knob. Turn clockwise to raise the set temperature, turn anticlockwise to lower the set temperature, and the temperature adjustment range is about 145°F at room temperature.

After setting the temperature, the water heater automatically works, and the heating indicator lights up.

When the water temperature reaches the set temperature, the power will be cut off automatically, and the heating indicator will light out to enter the

heat preservation state. When the water temperature falls for some period, the water heater automatically again, and the heating indicator lights up. When set to "OFF", water heater will not work.



Temperature control knob

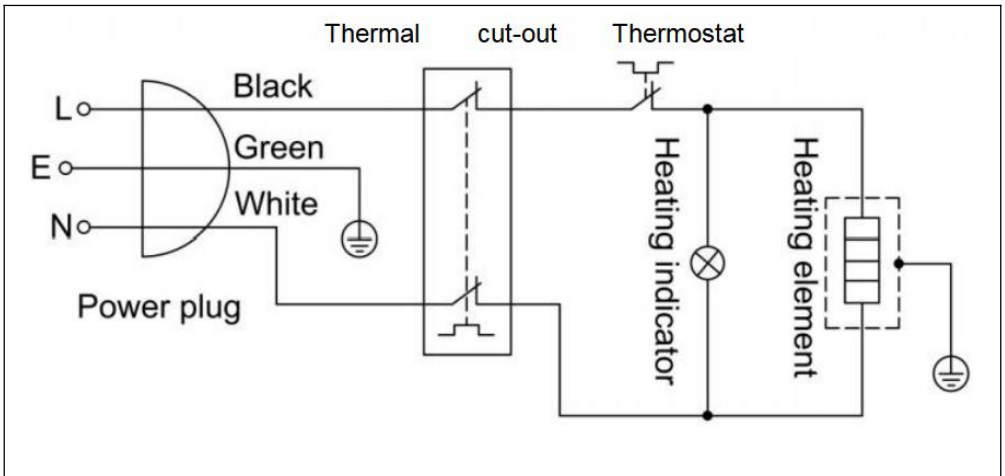
IDENTIFY AND DEAL WITH COMMON FAULTS

If water heater broke down during normal use, please immediately cut off the power, check according to the following content.

Faults	Reasons	Solution
No flowing water	①Whether the water is cut off or the pressure is too low. ②Whether the inlet and outlet water globe valve is opened. ③Whether the pipes are blocked.	①Check the water supply. ②Open the inlet and outlet water globe valve. ③Clean pipes.
No hot flowing water	①Excessive mixing cold water ②Low temperature setting ③Insufficient heating time ④Internal circuit is breakdown.	①Adjust mixing valve. ②Reset temperature. ③Keep heating. ④Maintenance
Flowing water comes out hot and cold.	External water pressure is unstable.	Waiting for water pressure go normal.

Water drips from T/P valve outlet.	Normal	Connect drain pipe and lead to safe drain.
Water continuously drips from T/P valve outlet.	Water pressure is too high.	Install a pressure limiting valve on the water inlet pipe.

WIRING DIAGRAM



DAILY MAINTENANCE

• Cleaning

Use a dry or wet cloth to dip a little neutral cleaner to wipe the water heater surface, do not use gasoline or other solvents, and don't spray water.

• Descaling

According to the local water quality condition, when a water heater using a certain time (usually 1 month), it needs to remove the dirty scale: first turn off the water heater, close the inlet valve, separate the connection between the inlet and outlet, and empty the inner tank water. After descaling, reinstall the internal tank connection between the inlet and the outlet.

• Draining

With long-term outage or maintenance, first cut off the power supply, turn off the inlet water valve, separate the connection between the inlet and outlet water pipe, empty it upside down, and reinstall the connection between the inner tank and the connection between the inlet and outlet water pipe. When used again, the inner tank must be filled with water before connecting the power supply.

• Replace Magnesium Anode

The magnesium anode prevents corrosion in the inner tank, which is a wasteful part. After installation, you need to check once a year. Suppose the magnesium anode is about to run out or has been run out. In that case, it should be replaced immediately with the same specifications as the magnesium anode to ensure the water heater's service life.

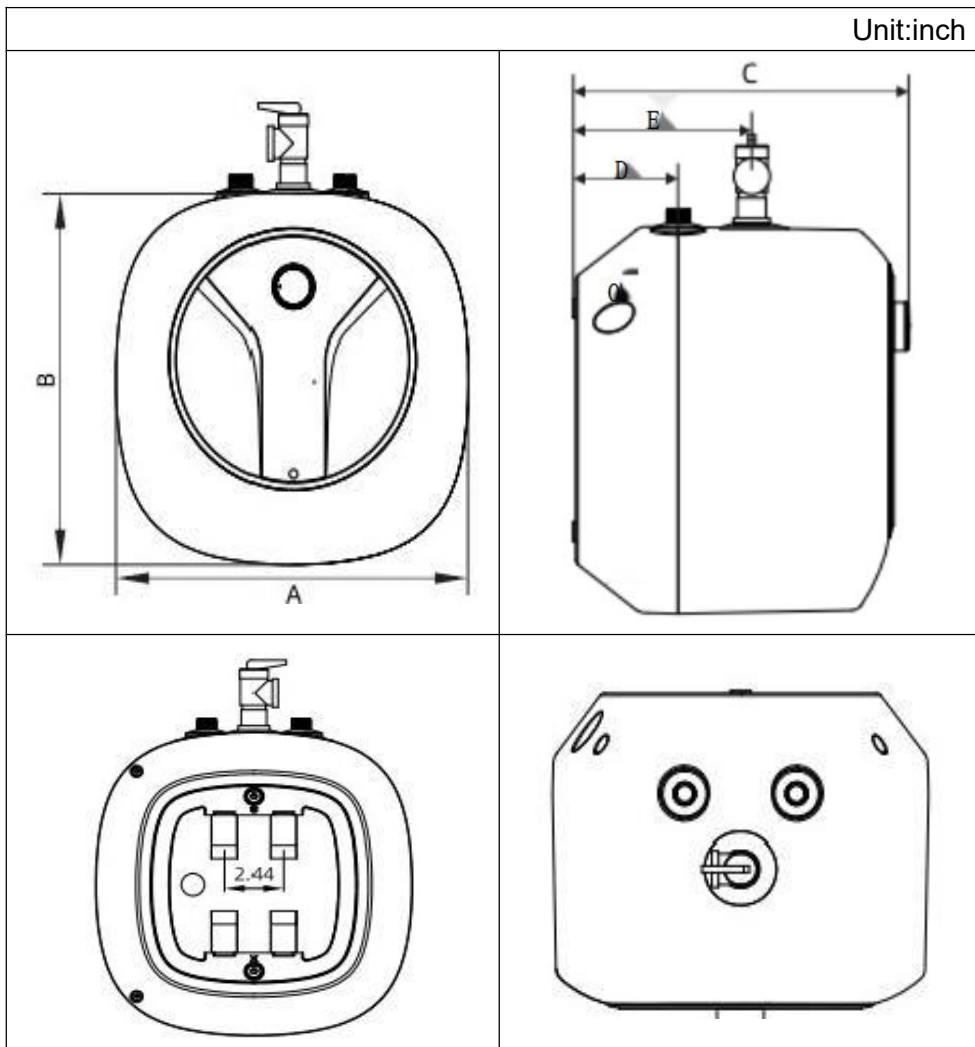
Caution

1. Pull out the power plug before maintaining.
2. Non-professional maintenance personnel disassembly, maintenance, and modification of water heaters shall be strictly forbidden.
3. The T/P valve (pressure relief device) needs to regularly take action to

remove calcium carbonate sedimentary and prove that it is not blocked. If blocked, please repair it in time.

4.Drainage must be within the container under a water temperature below 104 °F .Avoid scald.

PRODUCT DIMENSIONS



Dimensions(inch)					
Capacity	A	B	C	D	E
2.5 gal	13.39	13.39	11.42	3.58	6.14
4.0 gal	14.96	14.96	12.80	4.13	6.69
8.0 gal	17.32	17.32	15.35	5.20	8.38

* installation verticale uniquement

Made In China

VEVOR®

TOUGH TOOLS, HALF PRICE

Technical Support and E-Warranty Certificate

www.vevor.com/support