

VEVOR[®]

TOUGH TOOLS, HALF PRICE

Technical Support and E-Warranty Certificate

www.vevor.com/support

ELECTRIC WALL HEATER

MODEL:FH703E

We continue to be committed to provide you tools with competitive price.

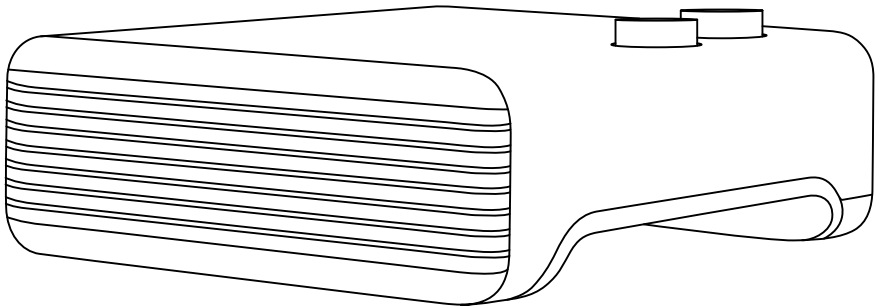
"Save Half", "Half Price" or any other similar expressions used by us only represents an estimate of savings you might benefit from buying certain tools with us compared to the major top brands and does not necessarily mean to cover all categories of tools offered by us. You are kindly reminded to verify carefully when you are placing an order with us if you are actually saving half in comparison with the top major brands.

VEVOR[®]

TOUGH TOOLS, HALF PRICE

ELECTRIC WALL HEATER

MODEL:FH703E



NEED HELP? CONTACT US!

Have product questions? Need technical support? Please feel free to contact us:

 CustomerService@vevor.com

This is the original instruction, please read all manual instructions carefully before operating. VEVOR reserves a clear interpretation of our user manual. The appearance of the product shall be subject to the product you received. Please forgive us that we won't inform you again if there are any technology or software updates on our product.

Safety Advice

Always read this instruction manual before installing or using your appliance and always keep for future reference

This product is only suitable for well insulated spaces or occasional use.

- This appliance can be used by children aged from 8 years and above and persons with reduced physical, sensory or mental capabilities or lack of experience and knowledge if they have been given supervision or instruction concerning use of the appliance in a safe way and understand the hazards involved. Children shall not play with the appliance. Cleaning and user maintenance shall not be made by children without supervision.

- Children of less than 3 years should be kept away unless continuously supervised.

Children aged from 3 years and less than 8 years shall only switch on/off the appliance provided that it has been placed or installed in its intended normal operating position and they have been given supervision or instruction concerning use of the appliance in a safe way and understand the hazards involved. Children aged from 3 years and less than 8 years shall not plug in, regulate and clean the appliance or perform user maintenance.

CAUTION - Some parts of this product can become very hot and cause burns. Particular attention has to be given where children and vulnerable people are present.

- If the supply cord is damaged, it must be replaced by the manufacturer, its service agent or similarly qualified persons in order to avoid a hazard.

- CAUTION: In order to avoid a hazard due to inadvertent resetting of the thermal cutout, this appliance must not be supplied through an external switching device, such as a timer, or connected to a circuit that is regularly switched on and off by the utility.

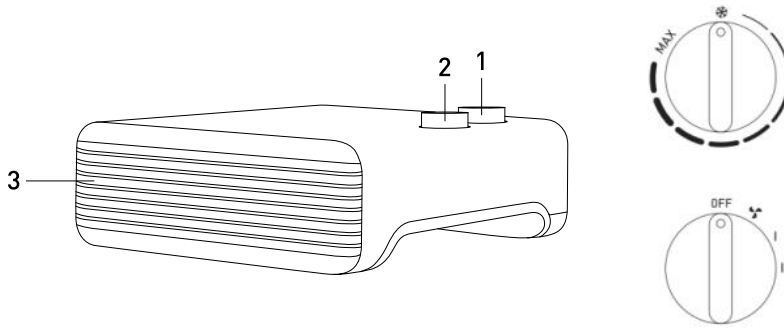


- **WARNING:** In order to avoid overheating, do not cover the heater.
- The heater must not be located immediately below a socket-outlet.
- Do not use this heater in the immediate surroundings of a bath, a shower or a swimming pool.
- Do not place the power cord in the outlet of the heater.

SAVETHESEINSTRUCTIONS

Operation instructions

1. Turn the thermostat switch to the minimal value, at the same time turn the heat select switch to the "OFF" position (see picture).
 2. Plug in the appliance, and turn the thermostat switch to the maximum position. Then turn the heat select switch to choose cool air or warm air and the temperature of warm air as below.
 - 2.1 Turn the heat select switch to "❄️" position, the heater blows cool air.
 - 2.2 Turn the heat select switch to "I" position, the heater blows warm air, working at 750W.
 - 2.3 Turn the heat select switch to "II" position, the heater blows warm air, working at 1500W.
 - 2.4 Turn the heat select switch to "OFF" position, the heater stops working.
 3. Adjust the thermostat switch to suitable position for desired temperature setting.
 - 3.1 Check if the thermostat switch is on the maximum position.
 - 3.2 When you feel the room temperature comfortable, turn the thermostat switch anti-clockwise slowly to the minimal position until the appliance stops working.
- Then the thermostat switch will keep the room temperature at the desired temperature automatically.
- You can also turn the thermostat switch anti-clockwise to the minimum position or turn the thermostat switch clockwise to maximum position to make the temperature lower or higher.



1.Thermostat switch 2.Heat select switch 3.Air outlet grill

Security System

To avoid risk to human being or damage to internal components, the fan heater has a security system which will automatically switch off the appliance if the heat reaches the safety limit. If overheating occurs:

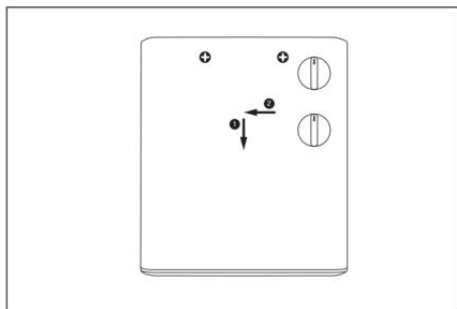
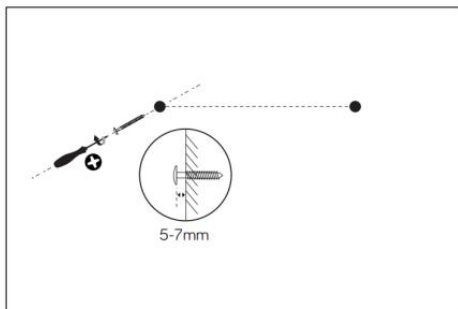
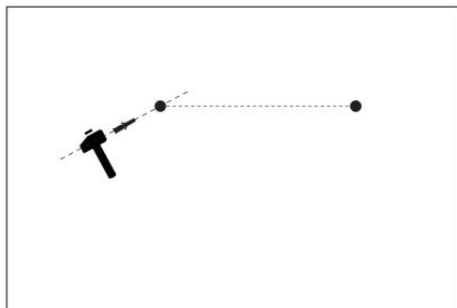
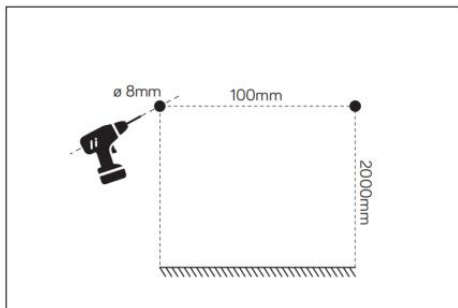
- 1.1 Turn the heat select switch to “OFF” position, turn the thermostat switch to the minimal position and remove the plug from the socket.
- 1.2 Check that nothing is approach the outlet and or inlet. If so, re-position the heater before starting again.
- 1.3 Let the fan heater cool down for 8 to 10 minutes before you start it again.
- 1.4 Plug in the appliance and switch it on. If the appliance can't operate normally, remove the plug immediately from the socket and have the fan heater serviced by an appointed service only.

THIS PRODUCT IS FOR ROOM HEATING

Spare Parts List:

Fixed screw*4, Expansion screws*4

Installation



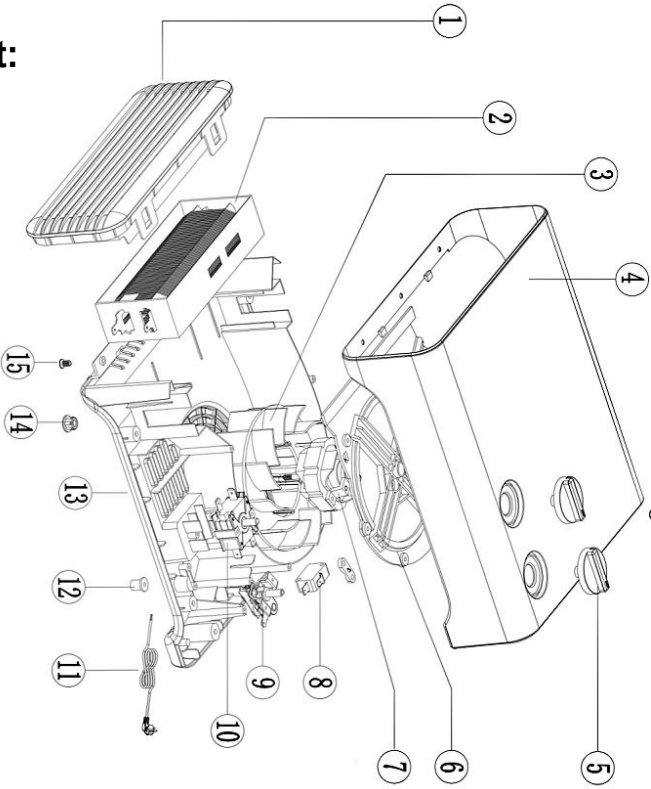
Drill holes on the wall according to the instruction inside the box.

Warning: Be sure to keep the safety distances as shown on the above drawing.

Fit the fastener tube in the hole and fit the bracket on the wall with screws
Hang the unit on the bracket gently, after ensuring the unit is right fixed, turn the lock in the bracket as picture show.

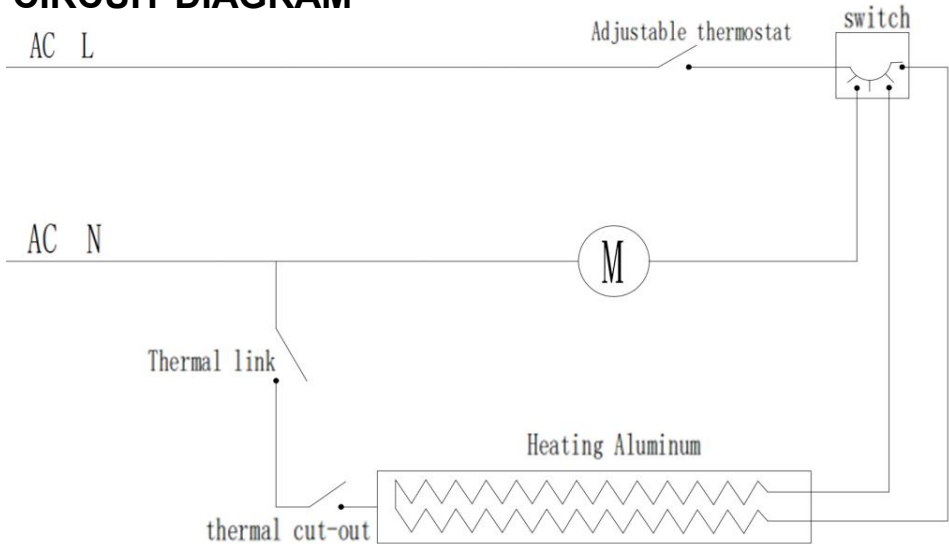
Warning: Before using the heater, make sure it's mounted tightly on the wall.

Parts List:



NO	Component name	Component	Quantity
1	front cover	PA6	1
2	heating element	220V-240V 1600W-1800W	1
3	Wind wheel	PP	1
4	TPE cover	PP	1
5	Knob	ABS	2
6	Motor stand	PA6	1
7	Motor	VJ58-16	1
8	Tip-over switch	250V/16A 785	1
9	Adjustable thermosta	250V/16A 785	1
10	Switch	15A 250V T125	1
11	Switch fixed	sheet/τ=0.7	1
12	switch pin	ABS	1
13	Base cover	PP	1
14	Cushioned	PVC	1

CIRCUIT DIAGRAM



TROUBLESHOOTING

If the product does not work, please follow the following instructions.

1. Insert the plug of the heater into a suitable socket.
2. Turn the thermostat knob fully in a clockwise direction to the maximum setting.
3. Ensure the gear switch is not on the OFF position.
4. Ensure the tip-over column is suppressed.

SPECIFICATIONS

Model No	FH703E
Voltage	AC120V
Frequency	60Hz
Max Power	1500W
Weight	1.43kg
Product Size	243*110*276mm

CLEANING & MAINTENANCE

- Switch off and unplug from the power supply before cleaning.
- Using a soft, moist cloth, with or without a mild soap solution, carefully clean the exterior surface of the product.
- CAUTION: Allow the product to completely cool before handling or cleaning it.
- Do not allow water or other liquids to run into the interior of the product, as this could create a fire and/or electrical hazard.
- We also recommend the periodic cleaning of this appliance by lightly running a vacuum cleaner nozzle over the guards to remove any dust or dirt that may have accumulated inside or on the unit.
- CAUTION: Do not use harsh detergents, chemical cleaners or solvents as they may damage the surface finish of the plastic components.

VEVOR[®]

TOUGH TOOLS, HALF PRICE

Technical Support and E-Warranty Certificate

www.vevor.com/support