

# **VEVOR<sup>®</sup>**

## **TOUGH TOOLS, HALF PRICE**

Technical Support and E-Warranty Certificate [www.vevor.com/support](http://www.vevor.com/support)

### **Pop Up Playpen**

**MODEL:UF002**

We continue to be committed to provide you products with competitive price.

"Save Half", "Half Price" or any other similar expressions used by us only represents an estimate of savings you might benefit from buying certain products with us compared to the major top brands and does not necessarily mean to cover all categories of products offered by us. You are kindly reminded to verify carefully when you are placing an order with us if you are actually saving half in comparison with the top major brands.

# VEVOR<sup>®</sup>

TOUGH TOOLS, HALF PRICE

## Pop Up Playpen



### NEED HELP? CONTACT US!

Have product questions? Need technical support? Please feel free to contact us:

**Technical Support and E-Warranty Certificate**  
**[www.vevor.com/support](http://www.vevor.com/support)**

This is the original instruction, please read all manual instructions carefully before operating. VEVOR reserves a clear interpretation of our user manual. The appearance of the product shall be subject to the product you received. Please forgive us that we won't inform you again if there are any technology or software updates on our product.

# Technical Specifications

Model	N. W.	G. W.	Package Size
UF002	4.5 LBS (2.03 kg)	5.5 LBS (2.48 kg)	30.7x6.81x7.09 Inch (780x173x180 mm)

## SAFETY



Note / Remark.



Caution / Warning.



Read the instruction manual.



Read this material before using this product. Failure to do so can result in serious injury. Save This Manual.



### Assembly precautions

1. Assemble only according to these instructions. Improper assembly can create hazards.
2. Keep assembly area clean and well lit.
3. Do not assemble when tired or when under the influence of alcohol, drugs or medication.
4. Weight capacity and other product capabilities apply to properly and completely assembled product only.



### Use precautions

#### TO PREVENT SERIOUS INJURY AND DEATH FROM TIPPING:

1. Do not exceed weight capacities, evenly distributed from bottom up. Be aware of dynamic loading! Sudden load movement may briefly create excess load causing product failure.

2. Use as intended only.

3. Inspect before every use; do not use if parts are loose or damaged.

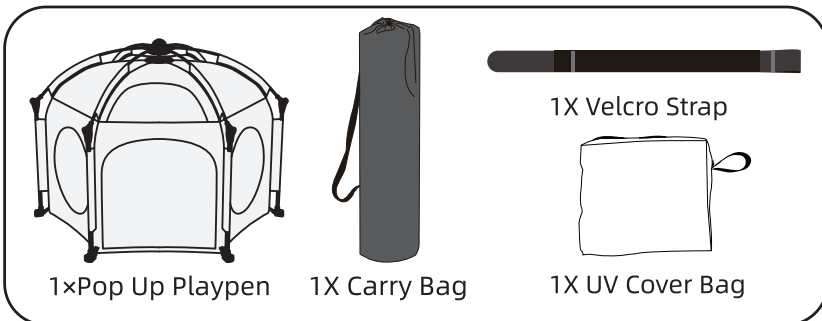


## WARNING!

- 1、 Always install the playpen securely. If is not secure, child in the playpen an lift or shift and get neck trapped between the playpen frame.
- 2、 To prevent serious injury,securely install Pop up playpen and use it according to manufacturer's instructions.
- 3、 Incorrect installation can be dangerous.
- 4、 Danger to older children if climbing over the product.
- 5、 Never leave the toddler unattended when using this product.
- 6、 Infant may roll into space between pad and loose mesh side causing suffocation.
- 7、 Take care to avoid pinching at all joint locations.
- 8、 Pop up playpen shall be checked regularly to ensure that it is secured and functioning in accordance with these instructions.
- 9、 Additional or replacement parts shall only be obtained from the manufacturer or distributor.

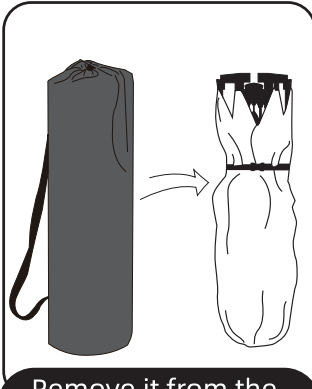
**DO NOT** let comfort or familiarity with product (gained from repeated use) replace strict adherence to the product safety rules.You can suffer serious personal injury if you use this product unsafely or incorrectly.

## Parts List

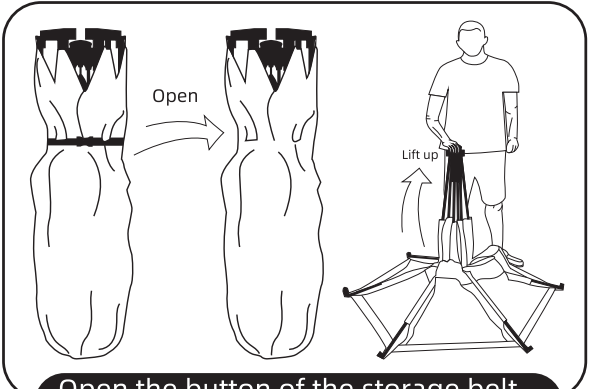


# OPERATION INSTRUCTIONS

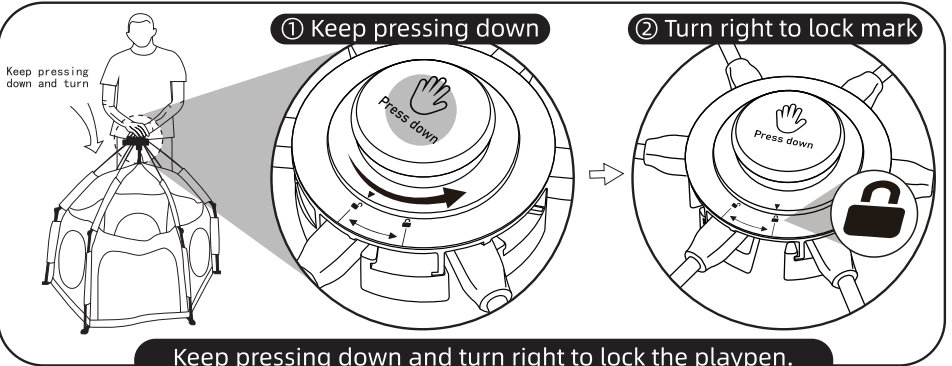
## 1、USAGE GUIDE - Set Up In Seconds



Remove it from the carry bag.



Open the button of the storage belt, pop open the playpen.



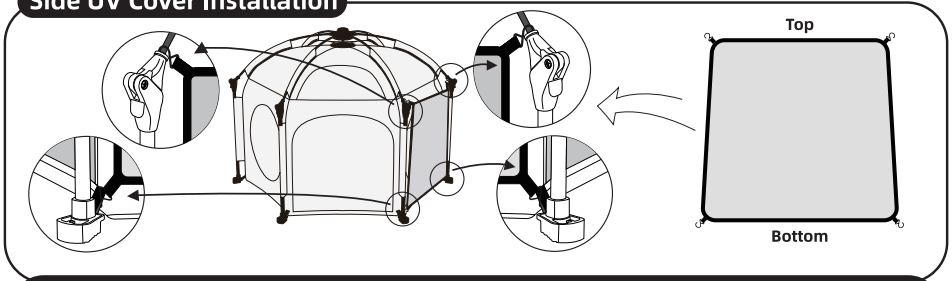
① Keep pressing down

② Turn right to lock mark

Keep pressing down and turn

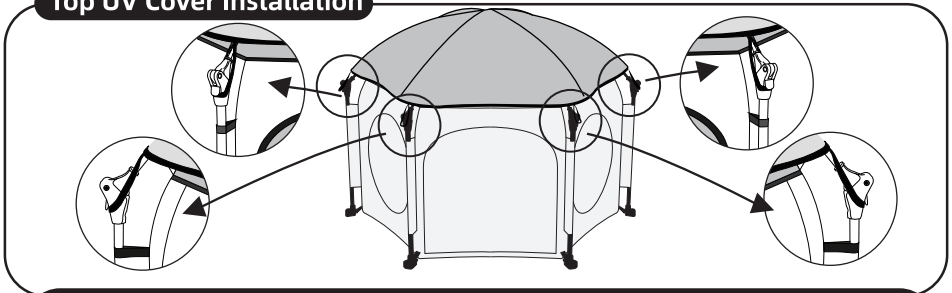
Keep pressing down and turn right to lock the playpen.

### Side UV Cover Installation

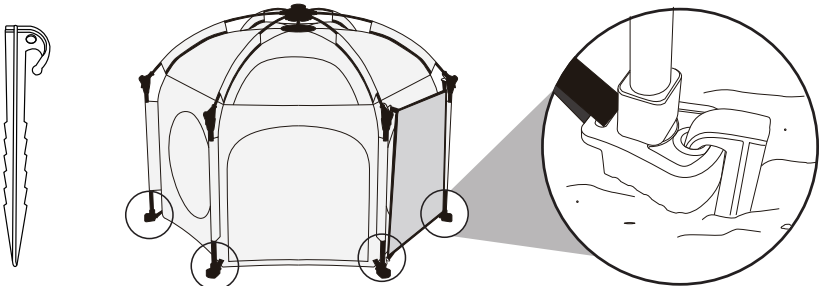


Side UV cover can effectively to avoid sunburn when the sun shines into the tent from the side.

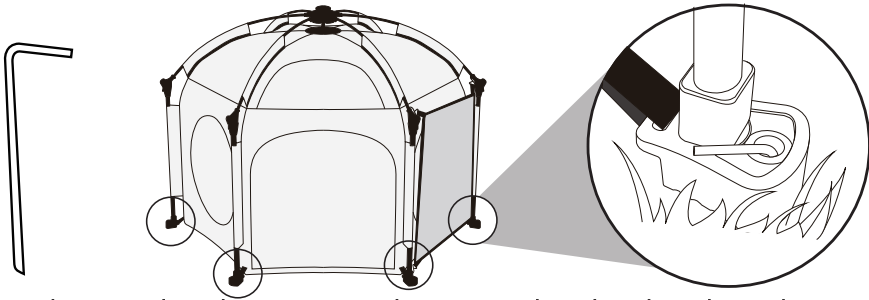
### Top UV Cover Installation



Top UV cover can effectively to avoid sunburn when the sun shines into the tent from the top.



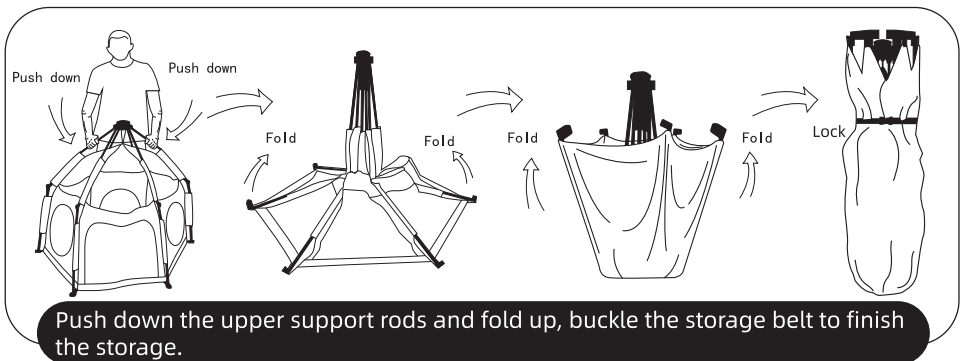
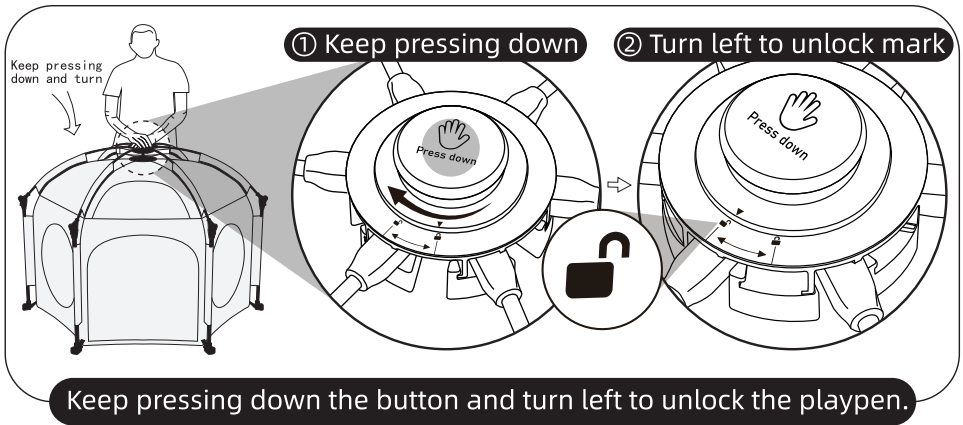
\*Sand stakes are used on sandy beaches or soft sand ground.



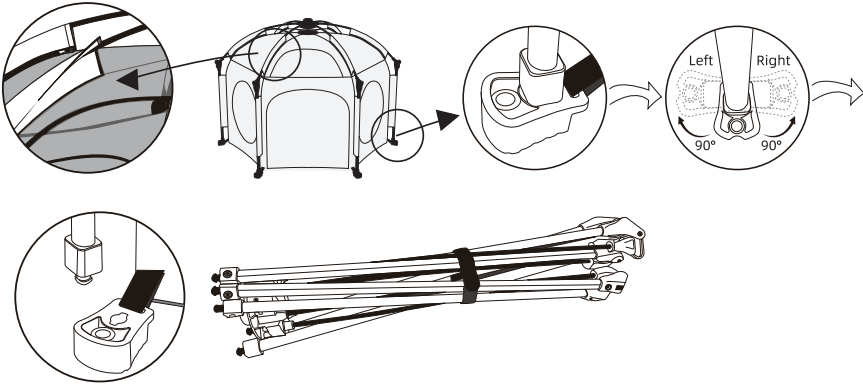
\*Ground stakes are used on grassland or hard earth.

**Warm Notice:**When for outdoor use, Sand Stakes and Ground Stakes are used to fix the playpen according to different ground.

## 2、USAGE GUIDE - Easy To Fold

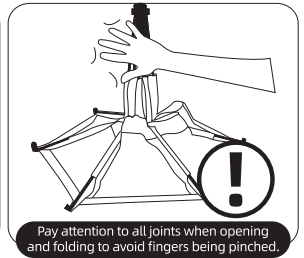
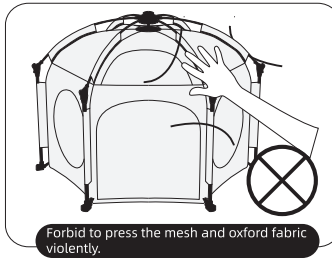
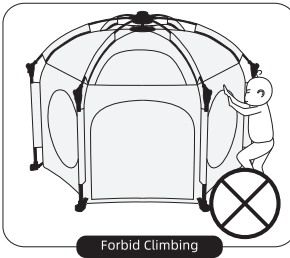


### 3、DISASSEMBLY TUTORIAL



Open the zippers on the oxford fabric of the upper support rod one by one, Rotate the base (left or right) about 90°, and then the base is separated from the support rod. Peel off the Oxford fabric to clean, and use the velcro strap to store the support rods.

#### CAUTIONS



#### MAINTENANCE/ Service

Have a qualified repair person serviced your playpen using only identical replacement parts.

This will ensure that the safety of the playpen is maintained. A dusty, damp or corrosive environment can cause damage to the playpen .

**Please note that:** Lack of maintenance may result in warranty cancellation. The guarantee of this tool will be void if the playpen had been modified without the consent of an authorized manufacturer representative.



## Warranty

- 1.This warranty shall only cover claims for damage due to a fault in the product's manufacture
- 2.If a warranty claim is made, the party entitled to warranty cover must present the proof of purchase, including the purchase date.
- 3.Customers' satisfaction is always the motivation of our brand growth. We promise to help you solve any issues . Please just let us know if you need help.

**OUR SERVICE TEAM PROMISES TO REPLY TO YOUR MESSAGE WITHIN 24H.**

## Scope of Warranty

- 1.We guarantee that VEVOR products are produced in accordance with iso9001 Quality Management procedures and are free of manufacturing defects for the period of warranty.
- 2.This warranty covers faults in the products due to manufacturing defects within 1 year from date of purchase.After inspection by sales representative, defective products will be replaced or repaired with equivalent goods free of charge.
- 3.Any warranty claim made during warranty period shall not extend the overall warranty coverage period.
- 4.Warranty periods:Warranty claim date

**VEVOR<sup>®</sup>**

**TOUGH TOOLS, HALF PRICE**

**Technical Support and E-Warranty Certificate**

**[www.vevor.com/support](http://www.vevor.com/support)**

**Made In China**