

VEVOR[®]

TOUGH TOOLS, HALF PRICE

Technical Support and E-Warranty Certificate www.vevor.com/support

HOLLOW CHISEL MORTISE MACHINE

INSTRUCTIONS

MODEL:MS36127A3

We continue to be committed to provide you tools with competitive price. "Save Half", "Half Price" or any other similar expressions used by us only represents an estimate of savings you might benefit from buying certain tools with us compared to the major top brands and does not necessarily mean to cover all categories of tools offered by us. You are kindly reminded to verify carefully when you are placing an order with us if you are actually Saving Half in comparison with the top major brands.

VEVOR®

TOUGH TOOLS, HALF PRICE

HOLLOW CHISEL MORTISE
MACHINE

MODEL:MS36127A3





NEED HELP? CONTACT US!

Have product questions? Need technical support? Please feel free to contact us:

Technical Support and E-Warranty Certificate
www.vevor.com/support

This is the original instruction, please read all manual instructions carefully before operating. VEVOR reserves a clear interpretation of our user manual. The appearance of the product shall be subject to the product you received. Please forgive us that we won't inform you again if there are any technology or software updates on our product.

	<p>Warning-To reduce the risk of injury, user must read instructions manual carefully.</p>
	<p>This device complies with Part 15 of the FCC Rules. Operation is subject to the following two conditions:(1)This device may not cause harmful interference, and (2)this device must accept any interference received, including interference that may cause undesired operation.</p>
	<p>This product is subject to the provision of European Directive 2012/19/EC. The symbol showing a wheeled bin crossed through indicates that the product requires separate refuse collection in the European Union. This applies to the product and all accessories marked with this symbol. Products marked as such may not be discarded with normal domestic waste, but must be taken to a collection point for recycling electrical and electronic devices</p>

GENERAL SAFETY RULES

- Woodworking can be dangerous if safe and proper operating procedures are not followed. As with all machinery, there are certain hazards involved with the operation of the product. Using the machine with respect and caution will considerably lessen the possibility of personal injury. However, if normal safety precautions are overlooked or ignored, personal injury to the operator may result. Safety equipment such as guards, push sticks, hold-downs, feather boards, goggles, dust masks and hearing protection can reduce your potential for injury. But even the best guard will not make up for poor judgment, carelessness or inattention. Always use common sense and exercise caution in the workshop. If a procedure feels dangerous, do not try it. Figure out an alternative procedure that feels safer. **REMEMBER:** Your personal safety is your responsibility.
 - This machine was designed for certain applications only. We strongly recommend that this machine cannot be modified and/or used for any application other than that for which it was designed. If you have any questions relative to a particular application, **DO NOT** use the machine until you have first contacted your local dealer to determine if it can or should be performed on the product.
 - **WARNING: FAILURE TO FOLLOW THESE RULES MAY RESULT IN SERIOUS PERSONAL INJURY.**
1. **FOR YOUR OWN SAFETY, READ INSTRUCTION MANUAL BEFORE OPERATING THE TOOL.** Learn the tool's application and limitations as well as the specific hazards peculiar to it.
 2. **KEEP GUARDS IN PLACE** and in working order.
 3. **ALWAYS WEAR EYE PROTECTION.** Wear safety glasses. Everyday eyeglasses only have impact resistant lenses; they are not safety glasses. Also use face or dust mask if cutting operation is dusty.
 4. **REMOVE ADJUSTING KEYS AND WRENCHES.** Form habit of checking to see

- that keys and adjusting wrenches are removed from tool before turning it “on”.
5. **KEEP WORK AREA CLEAN.** Cluttered areas and benches invite accidents.
 6. **DO NOT USE IN DANGEROUS ENVIRONMENT.** Do not use power tools in damp or wet locations, or expose them to rain. Keep work area well-lighted.
 7. **KEEP CHILDREN AND VISITORS AWAY.** All children and visitors should be kept a safe distance from work area.
 8. **MAKE WORKSHOP CHILDPROOF** – with padlocks, master switches, or by removing starter keys.
 9. **DO NOT FORCE TOOL.** It will do the job better and be safer at the rate for which it was designed.
 10. **USE RIGHT TOOL.** Do not force tool or attachment to do a job for which it was not designed.
 11. **WEAR PROPER APPAREL.** No loose clothing, gloves, neckties, rings, bracelets, or other jewelry to get caught in moving parts. Nonslip footwear is recommended. Wear protective hair covering to contain long hair.
 12. **SECURE WORK.** Use clamps or a vise to hold work when practical. It is safer than using your hand and frees both hands to operate too.
 13. **DO NOT OVERREACH.** Keep proper footing and balance at all times.
 14. **MAINTAIN TOOLS IN TOP CONDITION.** Keep tools sharp and clean for best and safest performance. Follow instructions for lubricating and changing accessories.
 15. **DISCONNECT TOOLS** before servicing and when changing accessories such as blades, bits, cutters etc.
 16. **USE RECOMMENDED ACCESSORIES.** The use of accessories and attachments not recommended by manufacturer may cause hazards or risk of injury to persons.
 17. **REDUCE THE RISK OF UNINTENTIONAL STARTING.** Make sure switch is in “OFF” position before plugging in power cord. In the event of a power failure, move switch to the “OFF” position.
 18. **NEVER STAND ON TOOL.** Serious injury could occur if the tool is tipped or if the cutting tool is accidentally contacted.
 19. **CHECK DAMAGED PARTS.** Before further use of the tool, a guard or other part that is damaged should be carefully checked to ensure that it will operate properly and perform its intended function – check for alignment of moving parts,

binding of moving parts, breakage of parts, mounting, and any other conditions that may affect its operation. A guard or other part that is damaged should be properly repaired or replaced.

20. **DIRECTION OF FEED.** Feed work into a blade or cutter against the direction of rotation of the blade or cutter only.

21. **NEVER LEAVE TOOL RUNNING UNATTENDED. TURN POWER OFF.** Do not leave tool until it comes to a complete stop.

22. **STAY ALERT, WATCH WHAT YOU ARE DOING, AND USE COMMON SENSE WHEN OPERATING A POWER TOOL. DO NOT USE TOOL WHILE TIRED OR UNDER THE INFLUENCE OF DRUGS, ALCOHOL, OR MEDICATION.** A moment of inattention while operating power tools may result in serious personal injury.

23. **MAKE SURE TOOL IS DISCONNECTED FROM POWER SUPPLY** while motor is being mounted, connected or reconnected.

24. **THE DUST GENERATED** by certain woods and wood products can be injurious to your health. Always operate machinery in well ventilated areas and provide for proper dust removal. Use wood dust collection systems whenever possible.

25. **WARNING: SOME DUST CREATED BY POWER SANDING, SAWING, GRINDING, DRILLING, AND OTHER CONSTRUCTION ACTIVITIES** contains chemicals known to cause cancer, birth defects or other reproductive harm.

Some examples of these chemicals are:

lead from lead-based paints.

crystalline silica from bricks and cement and other masonry products.

arsenic and chromium from chemically-treated lumber.

Your risk from these exposures varies, depending on how often you do this type of work. To reduce your exposure to these chemicals: work in a well ventilated area, and work with approved safety equipment, such as those dust masks that are specially designed to filter out microscopic particles.

ADDITIONAL SAFETY RULES FOR HOLLOW CHISEL MORTISERS

1. **DO NOT OPERATE THIS MACHINE** until it is **assembled** and **installed** according to the instructions.
2. **OBTAIN ADVICE FROM YOUR SUPERVISOR, instructor, or another qualified person** if you are not familiar with the operation of this machine.
3. **FOLLOW ALL WIRING CODES** and recommended electrical connections.
4. **MAKE CERTAIN** the machine is fastened to a supporting surface to prevent it from tipping over during operation.
5. **NEVER** turn the mortiser **“ON”** before clearing the table of all objects (tools, scrap pieces, etc.).
6. **ALWAYS** keep hands, fingers and hair away from the rotating bit.
7. **DO NOT** attempt to mortise material that does not have a flat surface, unless a suitable support is used.
8. **ALWAYS** position holddown directly over workpiece to prevent workpiece from lifting during operation.
9. **ALWAYS** support workpiece securely against fence to prevent rotation.
10. **BE SURE** drill bit is sharp, not damaged, and properly secured in the chuck before operation.
11. **MAKE SURE** chuck key is removed before starting machine.
12. **NEVER** turn on the power with the drill bit or chisel contacting the workpiece.
13. **NEVER** perform layout, assembly, or set-up work on the table while the mortiser is operating.
14. **ADJUST** the depth stop to avoid drilling into the table.
15. **ALWAYS** turn off the power before removing scrap pieces from the table.
16. **SHUT-OFF** the power, remove the drill bit and chisel, and clean the table before leaving the machine.
17. **FOR YOUR OWN SAFETY – Don’ t wear gloves when operating the machine.**
18. **SHOULD** any part of your tool be missing, damaged, or fail in any way, or any electrical component fail to perform properly, shut off switch and remove plug from power supply outlet. Replace missing, damaged, or failed parts before

resuming operation.

19. THE USE of attachments and accessories not recommended by Delta may result in the risk of injuries.

20. TURN THE MACHINE “OFF” AND DISCONNECT THE MACHINE from the power source before installing or removing accessories, before adjusting or changing set-ups, or when making repairs.

21. TURN THE MACHINE “OFF”, disconnect the machine from the power source, and clean the table/work area before leaving the machine. **LOCK THE SWITCH IN THE “OFF” POSITION** to prevent unauthorized use.

WARNING: FAILURE TO FOLLOW THESE RULES MAY RESULT IN SERIOUS PERSONAL INJURY.

SAVE THESE INSTRUCTIONS.

Refer to them often

and use them to instruct others.

CONNECTING TOOL TO POWER SOURCE

●POWER CONNECTIONS.

A separate electrical circuit should be used for your tools. If an extension cord is used, use only 3-wire extension cords, which have grounding type plugs and receptacles, which accept the tool’s plug. Before connecting the motor to the power line, make sure the switch is in the “OFF” position and be sure that the electric current is of the same characteristics as indicated on the tool.

All line connections should make good contact. Running on low voltage will damage the motor.

WARNING: DO NOT EXPOSE THE TOOL TO RAIN OR OPERATE THE TOOL IN DAMP LOCATIONS

●MOTOR SPECIFICATIONS

Your tool is wired for: Europe230V 50Hz or North America120V 60Hz alternating current. Before connecting the tool to the power source, make sure the machine is cut off from power source.

●GROUNDING INSTRUCTIONS

WARNING: THIS TOOL MUST BE GROUNDED WHILE IN USE TO PROTECT THE OPERATOR FROM ELECTRIC SHOCK.

All grounded, cord-connected tools:

1. In the event of a malfunction or breakdown, grounding provides a path of least resistance for electric current to reduce the risk of electric shock. This tool is equipped with an electric cord having an equipment-grounding conductor and a grounding plug. The plug must be plugged into a matching outlet that is properly installed and grounded in accordance with all local codes and ordinances.
2. Do not modify the plug provided - if it will not fit the outlet, have the proper outlet installed by a qualified electrician.
3. Improper connection of the equipment-grounding conductor can result in risk of electric shock. The conductor with insulation having an outer surface that is green with or without yellow stripes is the equipment-grounding conductor. If repair or replacement of the electric cord or plug is necessary, do not connect the equipment-grounding conductor to a live terminal.
4. Check with a qualified electrician or service personnel if the grounding instructions are not completely understood, or if in doubt as to whether the tool is properly grounded.
5. Use only 3-wire extension cords that have grounding type plugs and receptacles that accept the tool's plug.

6. Repair or replace damaged or worn cord immediately.

WARNING: IN ALL CASES, MAKE CERTAIN THE RECEPTACLE IN QUESTION IS PROPERLY GROUNDED. IF YOU ARE NOT SURE, HAVE A QUALIFIED ELECTRICIAN CHECK THE RECEPTACLE.

Use proper extension cords. Make sure your extension cord is in good condition and is a 3-wire extension cord, which has a grounding type plug and a receptacle, which will accept the tool's plug. When using an extension cord, be sure to use one heavy enough to carry the current of the tool. An undersized cord will cause a drop in line voltage, resulting in loss of power and overheating

INSTRUCTIONS FOR OPERATING THE DEVICE

●FOREWORD.

The Fox MS3816R is easier to handle than traditional drilling machines equipped with mortise attachments. Model MS3816R is made of cast iron and steel, which is rigid and stable. The mortise is equipped with a standard 3-jaw key chuck for positive gripping of the tenon.

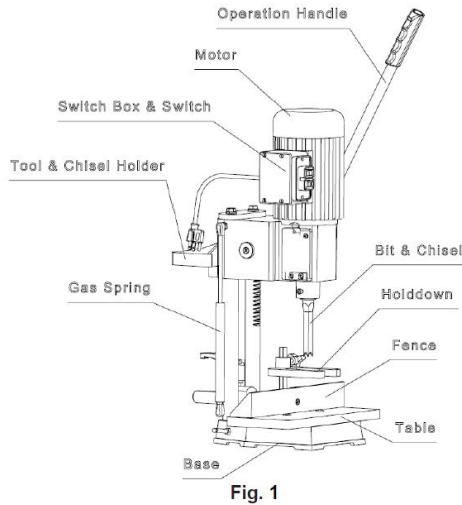
●UNPACKING AND CLEANING.

Carefully unpack the machine and all loose items from the shipping carton(s). Remove the protective coating from all unpainted surfaces. This coating may be removed with a soft cloth moistened with kerosene (do not use acetone, gasoline or lacquer thinner for this purpose). After cleaning, cover the unpainted surfaces with a good quality household floor paste wax.

NOTICE: THE MANUAL COVER PHOTO ILLUSTRATES THE CURRENT PRODUCTION MODEL. ALL OTHER ILLUSTRATIONS ARE REPRESENTATIVE ONLY AND MAY NOT DEPICT THE ACTUAL COLOR, LABELING OR ACCESSORIES AND MAY BE INTENDED TO ILLUSTRATE TECHNIQUE ONLY.

NOTICE: The operation diagram is for reference only, and the actual accessories of the product are subject to the actual product, and the operation and use methods remain unchanged.

●**HOLLOW CHISEL MORTISER PARTS.**(See Figure 1).



WARNING: FOR YOUR OWN SAFETY, DO NOT CONNECT THE MACHINE TO THE POWER SOURCE UNTIL THE MACHINE IS COMPLETELY ASSEMBLED AND YOU READ AND UNDERSTAND THE ENTIRE INSTRUCTION MANUAL.

●Lifting handle and gas spring.

1.Assemble hub of handle assembly (A) Fig. 2, to end of pinion shaft (B) and fasten handle to pinion shaft using special screw (C) and spring (D).

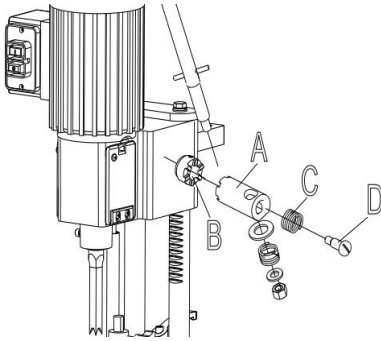


Fig. 2

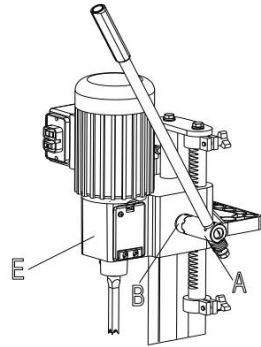


Fig. 3

2. Raise mortising machine head (E) Fig. 3, to the up position by turning handle (A)clockwise. NOTE: Handle (A) is spring-loaded and can be repositioned by pulling out handle and repositioning it on pinion shaft (B).

3.Make sure head (A) Fig.4, is held in the up position and assemble the gas spring (B) to the two fittings (C), one located on the column and the other on the back of the head.

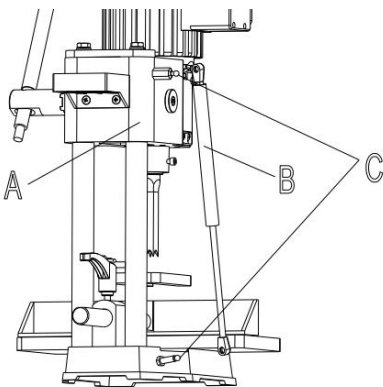


Fig. 4

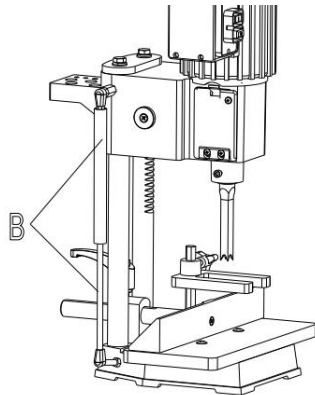


Fig. 5

4.Fig. 5, illustrates the gas spring (B) assembled to the machine. The gas spring (B) keeps the head in the up position.

●Work surface.

- 1.Assemble the table (A) Fig. 6, to the base using the two M6x1x35mm flat head screws (B) Insert the two screws (B) into the two holes (D) in table (A). Place the two T-nuts (C) into the slots (E) provided in the bottom of the base and tighten the two screws (B) into the two T-nuts (C) securely.

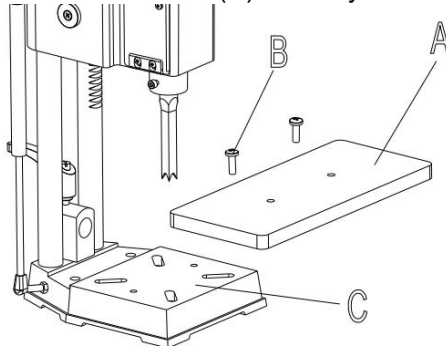


Fig. 6

- 2.The table (A) Fig. 6, can be moved in or out by loosening the two screws (B), and re-positioning the table, and then tightening screws (B).

●FENCE AND HOLDDOWN.

- 1.Locate handle assembly and remove screw (A) Fig.7, and spring (B) from handle (C). Sperate handle (C) from stud (D).

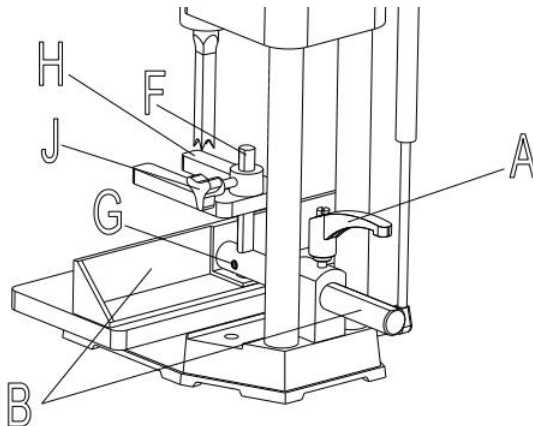


Fig.7

2. Insert bar of fence assembly (E) Fig. 7, through hole in column as shown. Tighten handle (C) against flat on fence bar to hold fence in position. NOTE: Handle (C) is spring-loaded and can be repositioned on the stud located underneath the handle by pulling out the handle and repositioning it on the stud.
3. Insert bar (F) Fig. 7, into hole on top of fence as shown, and tighten set screw (G) against flat on bar (F).
4. Assemble the hold down (H) Fig. 7, onto bar (F) as shown, and tighten set screw (J) against flat on bar.

● **TOOL AND CHISEL HOLDER.**

1. Assemble tool and chisel holder (A) Fig8, to side of column using the two M6x1x25mm screws (B) and M6 flat washers as shown.

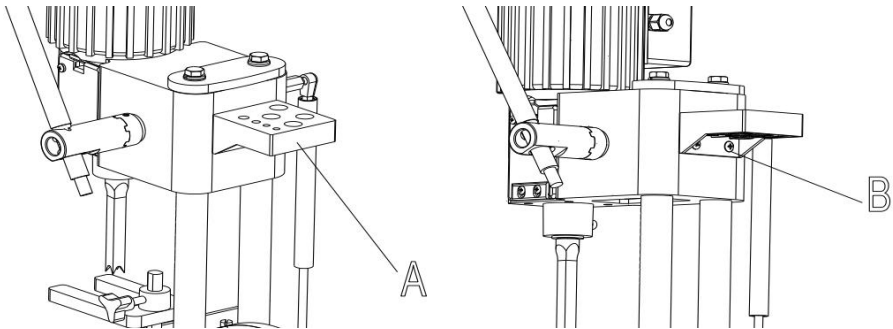


Fig8

2. Illustrates the chuck key, wrench and chisels and bits in holes of tool and chisel holder (A) when not in use.

● **RAISING AND LOWERING THE HEAD.**

The head (A) Fig. 9, is raised and lowered by means of the lever (B). For maximum leverage during the mortising operation, the lever (B) can be repositioned by pulling out the hub (C) of the lever assembly and repositioning hub on the pinion shaft.

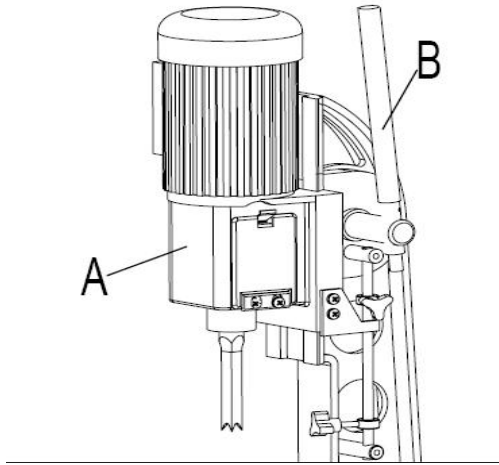


Fig. 9

● FENCE.

The fence (A) Fig10, can be moved in or out by loosening lever (B), sliding fence to the desired position and tightening lever (B). NOTE: Lever (B) is spring-loaded and can be repositioned by pulling out on the lever and repositioning it on the serrated nut located underneath the lever.

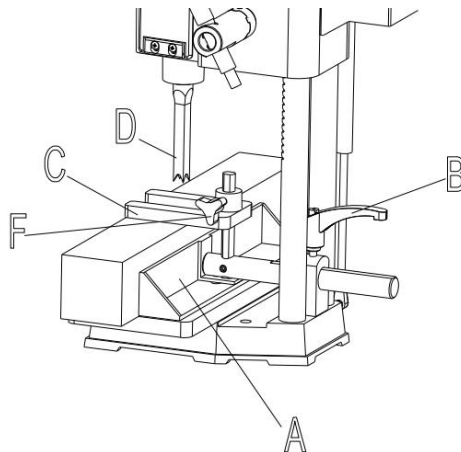


Fig. 10

● DEPTH STOP.

A depth stop guide (A) Fig. 11, is provided to limit the depth of the chisel (B). To adjust the depth stop guide (A), loosen screw (C) and lower head (B) until the chisel (B) is at the desired depth. Lower depth stop guide (A) until

it is at the desired depth, tighten screw (C).

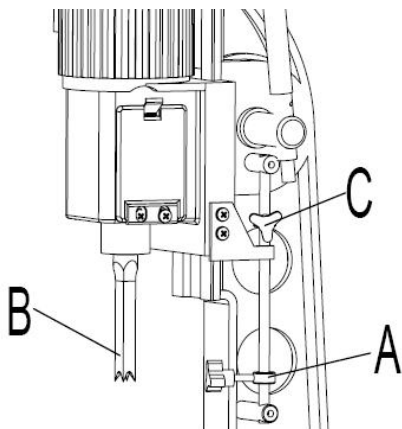


Fig. 11

●INSTALLING CHISEL & BIT.

1. Loosen lock screw, shown in Figure 12.

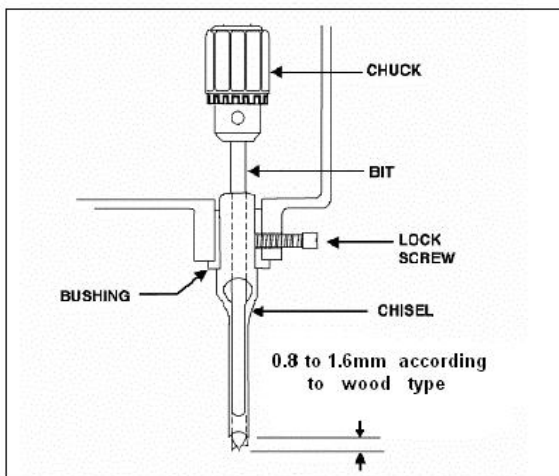


Fig. 12

2. Insert chisel bushing (with the hole facing forward) into the head. Tighten the screw just enough to hold the chisel in place.

NOTE: Set the slot in the side of the chisel to the left or right, NOT to the front or back. This will allow chips to escape when cutting mortises.

3. Push the chisel up as far as possible into the head. Then lower the chisel approximately 0.8mm to 1.6mm, depending on the type of wood

being worked. Tighten the screw to hold chisel in place.

4. Push bit up through the chisel opening as far as it will go. Lock the drill bit in place with the chuck key.
5. Loosen screw and push chisel up against the bushing, then tighten screw. This should provide the proper distance between the points of the chisel and the bit.

MAINTENANCE

- The Mortiser requires only minor maintenance, such as cleaning and lubrication and routine adjustment and sharpening of the chisel and bit.
- Dust the machine down after each use and, as necessary, use light applications of oil or grease to lubricate linkages, moving parts, etc.

SHARPENING CHISEL & BIT

Chisels and drill bits should be kept sharp for optimal performance. Blunt edges will give inaccurate results on the mortise and tenon, which can lead to overheating and breakage to chisel or bite. If the chisel and drill bit are badly worn and difficult to sharpen, they should be replaced.

- Sharpen the bit by using a small, smooth file, following the original shape of the bit. File the inside edge of the spur, the sides of the brad point, and the cutting edge inwards toward the flute of the bit. See Fig 13. Do not file the outside edge of the spur as this will affect the diameter of the bit.

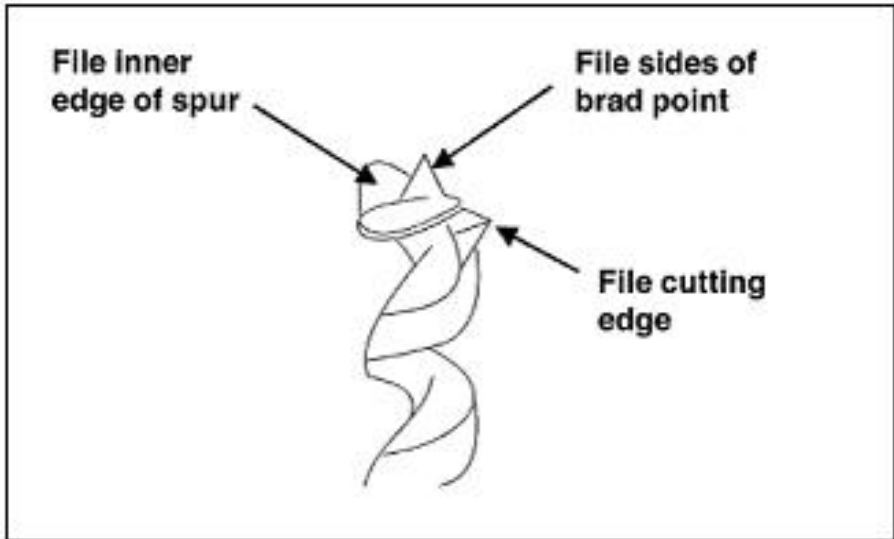


Fig 13

- Sharpen the chisel with a mortise and tenon chisel with the correct size guide. (Pilot size will vary depending on the size of the chisel). Two to three turns of the cutter in the carpenter's bracket chuck are enough to sharpen the chisel, as shown in Figure 14.

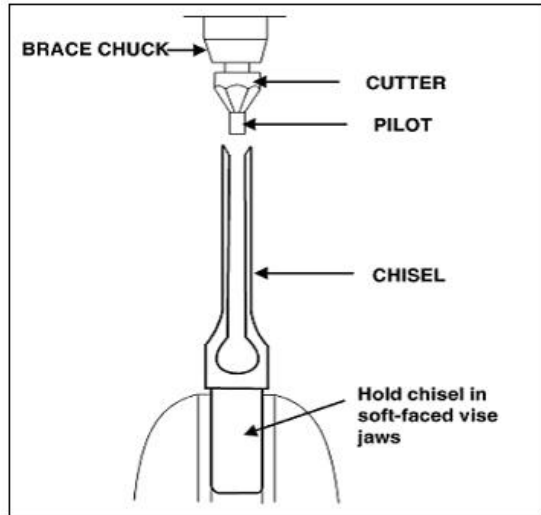


Fig 14

- Use a small, triangular, smooth file to relieve the inner corners of the chisel. See Fig.15. Remove any burrs from the outside of the chisel with a fine oilstone.

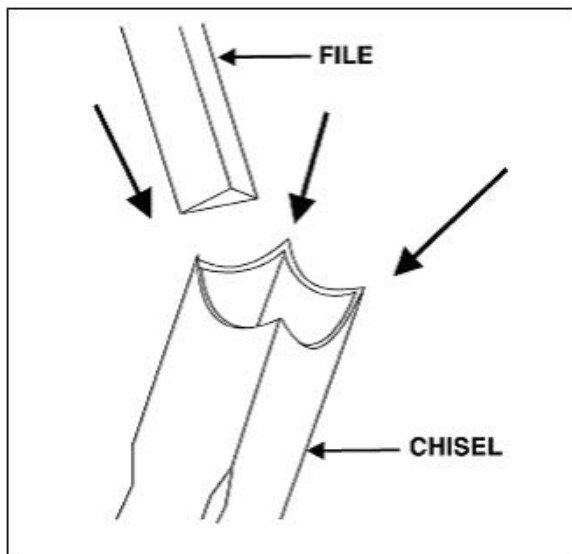
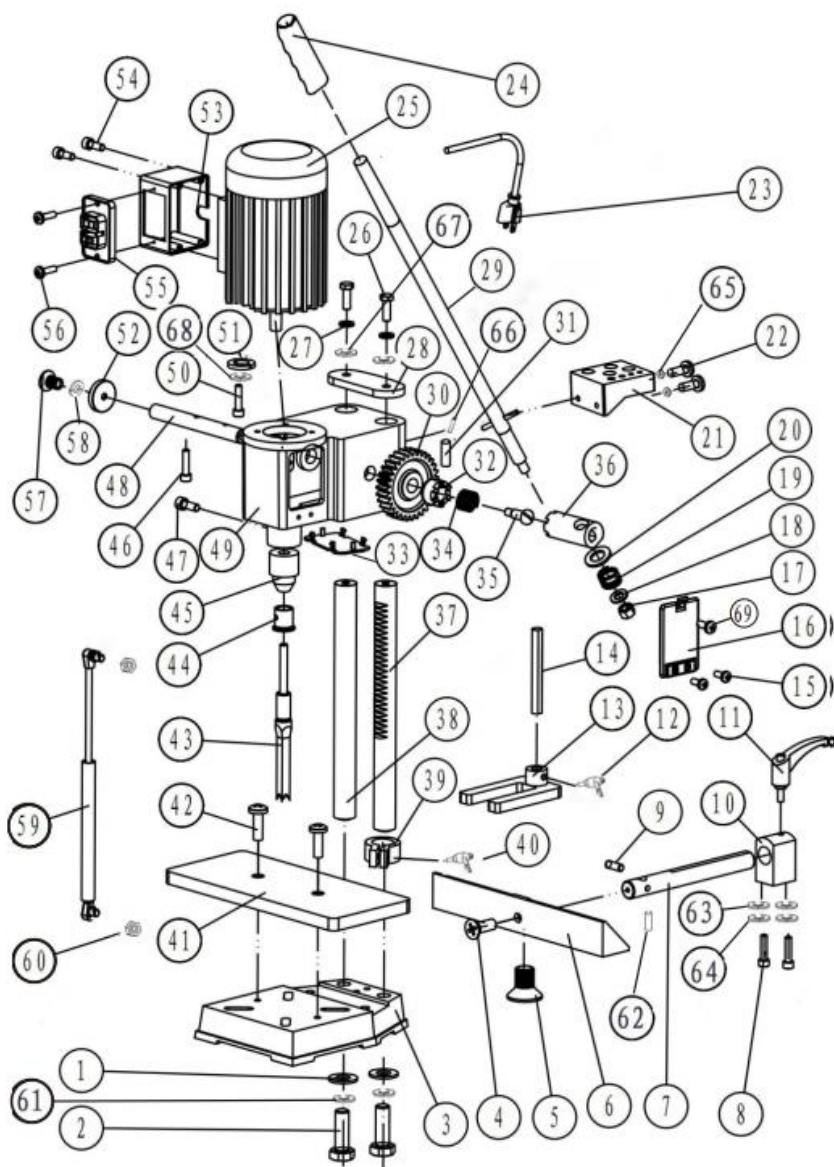


Fig 15

Parts Diagram



PART LIST

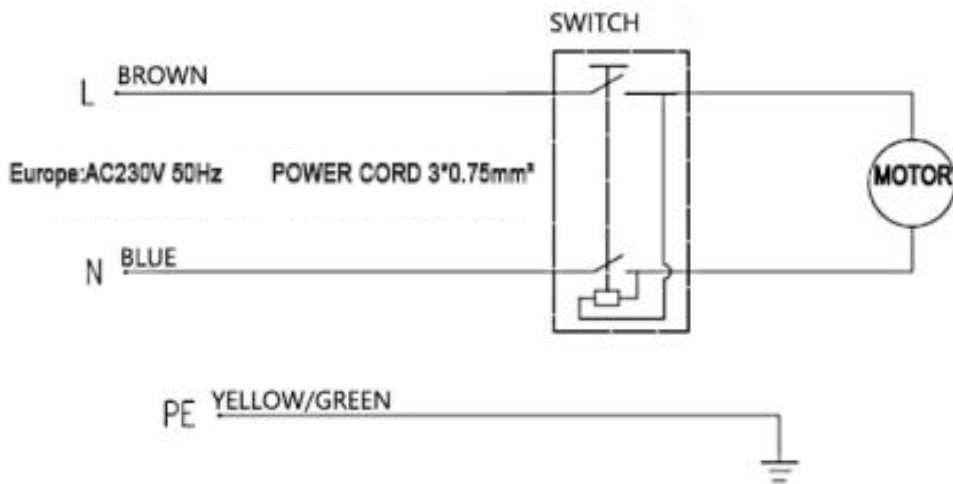
NO.	DESCRIPTION	QTY
1	LOCK WASHER	2
2	BOLT	2
3	BASE	1
4	SCREW	1
5	SCREW	1
6	FENCE	1
7	GUIDE COLOUM	1
8	SCREW	2
9	SCREW	1
10	GUIDE BRACKET	1
11	LOCK HANDLE	1
12	LOCK HANDLE	1
13	HOLD DOWN CLAMP	1
14	GUIDE COLOUM	1
15	SCREW	4
16	COVER	2
17	NUT	1
18	LOCK WASHER	1
19	SPRING	1
20	LOCK WASHER	1
21	TOOL RACK	1
22	SCREW	2
23	POWER CORD	1
24	HANDLE GLOVES	1
25	MOTOR	1
26	SCREW	2
27	WASHER	2
28	STEP PLATE	1
29	HANDLE	1

NO.	DESCRIPTION	QTY
36	CONNECTING BEND B	1
37	GEAR COLUMN	1
38	GUIDE COLUMN	1
39	DEPTH SET GUIDE	1
40	LOCK HANDLE	1
41	WOOD TABLE	1
42	SCREW	2
43	CHISEL	3
44	CHISEL BUSING	1
45	CHUCK	1
46	SCREW	1
47	SCREW	1
48	GEAR SHAFT	1
49	GEAR CASING	1
50	SCREW	4
51	LOCK WASHER	4
52	COVER	1
53	SWITCH BOX	1
54	SCREW	4
55	SWITCH	1
56	SCREW	2
57	SCREW	1
58	WASHER	1
59	GAS SPRING	1
60	NUT	2
61	WASHER	2
62	PIN	1
63	LOCK WASHER	2
64	WASHER	2

30	GEAR	1
31	PIN	1
32	CONNECTING BEND A	1
33	COVER	1
34	SPRING	1
35	SCREW	1

65	LOCK WASHER	2
66	PIN	1
67	LOCK WASHER	2
68	WASHER	4
69	SCREW	2
70	PIN	1

WIRING DIAGRAM



ACCESSORIES LIST

SKU: [FSJ36127A3F340001V2](#)

- 1.Instructions *1**
- 2.1/4 chisel *1**
- 3.3/8 chisel *1**
- 4.1/2 chisel *1**
- 5.Drill chucks *1**
- 6.Cast iron fences *1**
- 7.Allen key *3**
- 8.Handle rod *1**
- 9.Handle *1**
- 10.Handle rod screw hexagon M6*20 *1**
- 11.vertical axis *1**
- 12.Pressing blocks *1**
- 13.Lever *1**
- 14.Spinner seat + screws *1**
- 15.Tool holders *1**
- 16.Tool holder screws M6*16 + flat washers *2**
- 17.Drill keys *1**
- 18.Goggles *1**
- 19.Drill clamp shaft *1**
- 20.Wooden board screws M8*20 *2**
- 21.Left and right limit levers *2**
- 22.Limit sleeve + wrench *2**
- 23.Wooden work boards *1**

SKU:FSJMS36127A3F0001V2

- 1. Instructions *1**
- 2. 1/4 chisel *1**
- 3. 3/8 chisel *1**
- 4. 1/2 chisel *1**
- 5. Drill chucks *1**
- 6. Cast iron fences *1**
- 7. Allen key *3**
- 8. Wooden workbench *1**
- 9. Drill card shaft *1**
- 10.Handle rod *1**
- 11.Chuck key *1**
- 12.Workbench screws M8*26 screws *2**
- 13.Adjustable handlebar *1**
- 14.Pressing blocks *1**
- 15.vertical axis *1**
- 16.Tool holders *1**
- 17.Tool holder screws M6*16 + spacers *2**
- 18.Handle rod connection sleeve *1**
- 19.Handle rod screw hexagon M6*20 *1**

SKU:FSJ36127A3F120001V2

- 1. Instructions *1**
- 2. 1/4 chisel *1**
- 3. 3/8 chisel *1**
- 4. 1/2 chisel *1**
- 5. Drill chucks *1**
- 6. Cast iron fences *1**
- 7. Allen key *3**

- 8. Wooden workbench *1**
- 9. Drill card shaft *1**
- 10.Handle rod *1**
- 11.Chuck key *1**
- 12.Workbench screws M8*26 screws *2**
- 13.Adjustable handlebar *1**
- 14.Pressing blocks *1**
- 15.vertical axis *1**
- 16.Tool holders *1**
- 17.Tool holder screws M6*16 + spacers *2**
- 18.Handle rod connection sleeve*1**
- 19.Spinner seat + screws *1**
- 20.Goggles *1**



Please dispose of packaging for the product in a responsible manner. It is suitable for recycling. Help to protect the environment, take the packaging to the local amenity tip and place into the appropriate recycling bin.



Only for EU countries

Do not dispose of electric tools together with household waste material!

In observance of European Directive 2002/96/EC on waste electrical and electronic equipment and its implementation in accordance with national law, electric tools that have reached the end of their life must be collected separately and returned to an environmentally compatible recycling facility.

Address: Baoshanqu Shuangchenglu 803long 11hao 1602A-1609shi
Shanghai

Imported to AUS: SIHAO PTY LTD, 1 ROKEVA STREETEASTWOOD
NSW 2122 Australia

Imported to USA: Sanven Technology Ltd., Suite 250, 9166 Anaheim
Place, Rancho Cucamonga, CA 91730



Pooledas Group Ltd
Unit 5 Albert Edward House, The Pavilions
Preston, United Kingdom



SHUNSHUN GmbH
Römeräcker 9 Z2021, 76351
Linkenheim-Hochstetten, Germany

Made In China

VEVOR[®]

TOUGH TOOLS, HALF PRICE

Technical Support and E-Warranty Certificate

www.vevor.com/support

VEVOR®

TOUGH TOOLS, HALF PRICE

Technique Certificat d'assistance et de garantie électronique

www.vevor.com/support

MORTAISEUSE À BÉDANE CREUSE

INSTRUCTIONS

MODÈLE : MS36127A3

Nous continuons à nous engager à vous fournir des outils à des prix compétitifs. « Économisez la moitié », « Moitié prix » ou toute autre expression similaire utilisée par nous uniquement représente une estimation des économies dont vous pourriez bénéficier en achetant certains outils avec nous par rapport aux grandes marques et ne signifie pas nécessairement couverture toutes les catégories d'outils que nous proposons. Nous vous rappelons de bien vouloir vérifier soigneusement lorsque vous passez une commande chez nous si vous êtes réellement Économie Moitié par rapport aux plus grandes marques.

VEVOR[®]

TOUGH TOOLS, HALF PRICE

HOLLOW CHISEL MORTISE
MACHINE

MODÈLE : MS36127A3






BESOIN D'AIDE? CONTACTEZ-NOUS!

Vous avez des questions sur nos produits ? Vous avez besoin d'une assistance technique ? N'hésitez pas à nous contacter :

Assistance technique et certificat de garantie électronique
www.vevor.com/support

Il s'agit de la notice d'utilisation d'origine. Veuillez lire attentivement toutes les instructions du manuel avant de l'utiliser. VEVOR se réserve le droit d'interpréter clairement notre manuel d'utilisation. L'apparence du produit dépend du produit que vous avez reçu. Veuillez nous excuser, nous ne vous informerons plus si des mises à jour technologiques ou logicielles sont disponibles sur notre produit.

	<p>Avertissement - Pour réduire le risque de blessure, l'utilisateur doit lire attentivement le manuel d'instructions.</p>
	<p>Cet appareil est conforme à la partie 15 des règles de la FCC. Son fonctionnement est soumis aux deux conditions suivantes : (1) Cet appareil ne doit pas provoquer d'interférences nuisibles et (2) Cet appareil doit accepter toute interférence reçue, y compris les interférences pouvant entraîner un fonctionnement indésirable.</p>
	<p>Ce produit est soumis aux dispositions de la directive européenne 2012/19/CE. Le symbole représentant une poubelle à roulettes barrée indique que le produit doit faire l'objet d'une collecte sélective des déchets dans l'Union européenne. Cela s'applique au produit et à tous les accessoires marqués de ce symbole. Les produits marqués comme tels ne peuvent pas être jetés avec les déchets ménagers normaux, mais doivent être déposés dans un point de collecte pour le recyclage des appareils électriques et électroniques.</p>

GENERAL SAFETY RULES

- Le travail du bois peut être dangereux s'il n'est pas effectué correctement et en toute sécurité.

Les procédures de sécurité ne sont pas respectées. Comme pour toutes les machines, l'utilisation du produit comporte certains risques. Utiliser la machine avec respect et prudence réduira considérablement le risque de blessure. Cependant, si les précautions de sécurité normales sont négligées ou ignorées, l'opérateur peut se blesser. Équipement de sécurité tel que protections, pousoirs, dispositifs de retenue, plumes Des lunettes de protection, des masques anti-poussière et des protections auditives peuvent réduire le risque de blessure. Mais même la meilleure protection ne compensera pas un manque de jugement, une négligence ou une inattention. Faites toujours preuve de bon sens et de prudence dans l'atelier. Si une procédure vous semble dangereuse, ne l'essayez pas. Trouvez une procédure alternative qui vous semble plus sûre. **N'OUBLIEZ PAS** : votre sécurité personnelle est votre responsabilité.

- Cette machine a été conçue pour certaines applications uniquement. Nous

Nous recommandons fortement que cette machine ne soit pas modifiée et/ou utilisée pour une application autre que celle pour laquelle elle a été conçue. Si vous avez des questions relatives à une application particulière, **N'UTILISEZ PAS** la machine avant d'avoir contacté votre revendeur local pour déterminer si elle peut ou doit être effectuée sur place. produit.

- **ATTENTION** : LE NON-RESPECT DE CES RÈGLES PEUT ENTRAÎNER
PEUT ENTRAÎNER DES BLESSURES CORPORELLES GRAVES .

26. **POUR VOTRE PROPRE SÉCURITÉ, LISEZ LE MANUEL D'INSTRUCTIONS AVANT D'UTILISER L'OUTIL.** Apprenez l'application et les limites de l'outil ainsi que les dangers spécifiques qui lui sont propres .
27. **MAINTENIR LES PROTECTIONS EN PLACE** et en bon état de fonctionnement .
28. **PORTEZ TOUJOURS DES LUNETTES DE PROTECTION** . Portez des lunettes de sécurité. Les lunettes de vue ordinaires sont uniquement dotées de verres résistants aux chocs ; ce ne sont pas des lunettes de sécurité. Utilisez également un masque facial ou anti-poussière si l'opération de coupe est poussiéreuse.
29. **RETIREZ LES CLÉS ET LES CLÉS DE RÉGLAGE** . Prenez l'habitude de vérifier que les clés et les clés de réglage sont retirées de l'outil avant de le mettre en marche.
30. **GARDEZ LA ZONE DE TRAVAIL PROPRE** . Les zones et les bancs encombrés favorisent les accidents .
31. **NE PAS UTILISER DANS UN ENVIRONNEMENT DANGEREUX.** N'utilisez pas d'outils électriques dans des endroits humides ou mouillés, et ne les exposez pas à la pluie. Gardez la zone de travail bien éclairée.
32. **TENEZ LES ENFANTS ET LES VISITEURS À L'ÉCART** . Tous les enfants et les visiteurs doivent être tenus à une distance sécuritaire de la zone de travail.
33. **RENDREZ L'ATELIER À L'ÉPREUVE DES ENFANTS** – avec des cadenas, des interrupteurs principaux ou en retirant les clés de démarrage .
34. **NE FORCEZ PAS L'OUTIL** . Il fera un meilleur travail et sera plus sûr au rythme pour lequel il a été conçu .
35. **UTILISEZ L'OUTIL ADÉQUAT** . Ne forcez pas l'outil ou l'accessoire à effectuer une tâche pour laquelle il n'a pas été conçu .
36. **PORTEZ DES VÊTEMENTS APPROPRIÉS** . Ne portez pas de vêtements amples, de gants, de cravates, de bagues, de bracelets ou d'autres bijoux qui pourraient se coincer dans les pièces en mouvement. Des chaussures antidérapantes sont recommandées. Portez un couvre-chef pour protéger les cheveux longs.
37. **TRAVAIL SÉCURISÉ** . Utilisez des serre-joints ou un étau pour maintenir la pièce lorsque cela est possible. C'est plus sûr que d'utiliser votre main et cela

- libère vos deux mains pour travailler aussi .
- 38.**NE PAS TROP SE DÉPLACER** . Garder une bonne position et un bon équilibre à tout moment .
- 39.**MAINTENEZ VOS OUTILS EN PARFAIT ÉTAT** . Gardez vos outils bien aiguisés et propres pour une performance optimale et sûre. Suivez les instructions pour la lubrification et le changement des accessoires .
- 40.**DÉBRANCHER LES OUTILS** avant l'entretien et lors du changement d'accessoires tels que les lames, les forets, les couteaux etc .
- 41.**UTILISER LES ACCESSOIRES RECOMMANDÉS** . L'utilisation d'accessoires et de pièces jointes non recommandés par le fabricant peut entraîner des dangers ou des risques de blessures corporelles .
- 42.**RÉDUISEZ LE RISQUE DE DÉMARRAGE INVOLONTAIRE** . Assurez-vous que l'interrupteur est en position « OFF » avant de brancher le cordon d'alimentation. En cas de panne de courant, placez l'interrupteur en position « OFF » .
- 43.**NE JAMAIS SE TENIR SUR L'OUTIL** . Des blessures graves peuvent survenir si l'outil bascule ou si l'outil de coupe entre accidentellement en contact .
- 44.**VÉRIFIER LES PIÈCES ENDOMMAGÉES** . Avant de réutiliser l'outil, toute protection ou autre pièce endommagée doit être soigneusement vérifiée pour s'assurer qu'elle fonctionnera correctement et remplira sa fonction prévue - vérifiez l'alignement des pièces mobiles, le blocage des pièces mobiles, la rupture des pièces, le montage et toute autre condition pouvant affecter son fonctionnement. Une protection ou une autre pièce endommagée doit être correctement réparée ou remplacée .
- 45.**SENS D'AVANCEMENT** . Introduisez la pièce dans une lame ou un couteau uniquement dans le sens inverse de la rotation de la lame ou du couteau .
- 46.**NE JAMAIS LAISSER L'OUTIL FONCTIONNER SANS SURVEILLANCE. COUPER L'ALIMENTATION** . Ne pas laisser l'outil fonctionner tant qu'il n'est pas complètement arrêté .
- 47.**RESTEZ VIGILANT, SURVEILLEZ CE QUE VOUS FAITES ET FAITES PREUVE DE BON SENS LORSQUE VOUS UTILISEZ UN OUTIL ÉLECTRIQUE. N'UTILISEZ PAS L'OUTIL SI VOUS ÊTES FATIGUÉS OU SOUS L'INFLUENCE DE DROGUES, D'ALCOOL OU DE MÉDICAMENTS.** Un moment d'inattention lors de l'utilisation d'outils électriques peut entraîner des blessures graves.

48. **ASSUREZ-VOUS QUE L'OUTIL EST DÉBRANCHÉ DE L'ALIMENTATION ÉLECTRIQUE** pendant le montage, la connexion ou la reconnexion du moteur .
49. **LA POUSSIÈRE GÉNÉRÉE** par certains bois et produits dérivés du bois peut être nocive pour la santé. Utilisez toujours les machines dans des zones bien ventilées et prévoyez un système d'évacuation des poussières approprié. Utilisez des systèmes de récupération des poussières de bois chaque fois que cela est possible .
50. **AVERTISSEMENT : CERTAINES POUSSIÈRES CRÉÉES PAR LE PONÇAGE, LE SCIAGE, LE MEULAGE, LE PERÇAGE ET AUTRES ACTIVITÉS DE CONSTRUCTION** contiennent des produits chimiques connus pour provoquer le cancer, des malformations congénitales ou d'autres troubles de la reproduction. Voici quelques exemples de ces produits chimiques :
- plomb provenant des peintures à base de plomb .
 - silice cristalline provenant de briques, de ciment et d' autres produits de maçonnerie.
 - arsenic et chrome provenant du bois traité chimiquement .

Les risques liés à ces expositions varient en fonction de la fréquence à laquelle vous effectuez ce type de travail. Pour réduire votre exposition à ces produits chimiques : travaillez dans un endroit bien aéré et utilisez des équipements de sécurité approuvés, tels que des masques anti-poussière spécialement conçus pour filtrer les particules microscopiques .

ADDITIONAL SAFETY RULES FOR HOLLOW CHISEL MORTISERS

22. **N'UTILISEZ PAS CETTE MACHINE** tant qu'elle n'est pas **assemblé** et **installé** selon les instructions .
23. **OBTENEZ CONSEIL DE VOTRE SUPÉRIEUR, instructeur, ou une autre personne qualifiée** si vous n'êtes pas familier avec le fonctionnement de cette machine .

24. **SUIVEZ TOUS LES CODES DE CÂBLAGE** et les recommandations connexions électriques .
25. **ASSUREZ-VOUS que** la machine est fixée à un support surface pour éviter qu'elle ne bascule pendant le fonctionnement .
26. **NE JAMAIS** mettre la mortaiseuse sur « **ON** » avant d'effacer le tableau de tous les objets (outils, morceaux de ferraille, etc.) .
27. **TOUJOURS** les mains, les doigts et les cheveux éloignés le foret rotatif .
28. **N'essayez PAS** de mortaiser un matériau qui ne avoir une surface plane, à moins qu'un support approprié ne soit utilisé .
29. **TOUJOURS** le dispositif de maintien directement sur la pièce à usiner pour empêcher la pièce de se soulever pendant le fonctionnement .
30. **TOUJOURS** soutenir solidement la pièce contre le guide pour empêcher la rotation .
31. **ASSUREZ-VOUS** que le foret est tranchant, non endommagé et correctement fixé dans le mandrin avant l'opération .
32. **ASSUREZ-VOUS que** la clé du mandrin est retirée avant de commencer machine .
33. **NE JAMAIS** mettre sous tension avec le foret ou le burin en contact avec la pièce .
34. **NE JAMAIS** effectuer de travaux d'agencement, d'assemblage ou de configuration sur la table pendant que la mortaiseuse fonctionne .
35. **RÉGLER** la butée de profondeur pour éviter de percer dans le tableau .
36. Coupez **TOUJOURS l'alimentation avant de retirer les déchets** morceaux de la table .
37. **COUPEZ** l'alimentation électrique, retirez le foret et le burin, et nettoyez la table avant de quitter la machine .
38. **POUR VOTRE PROPRE SÉCURITÉ - Ne portez pas de gants lorsque faire fonctionner la machine .**
39. **SI** une pièce de votre outil est manquante, endommagée ou échouer de quelque façon que ce soit, ou tout composant électrique ne fonctionne pas correctement, éteignez l'interrupteur et débranchez la prise de courant prise d'alimentation. Remplacez les pièces manquantes, endommagées ou défectueuses avant de reprendre l'exploitation .

40. L'UTILISATION d'accessoires et de pièces jointes non recommandé par Delta peut entraîner un risque de blessures .

41. ÉTEIGNEZ LA MACHINE ET DÉBRANCHEZ - LA LA MACHINE de la source d'alimentation avant l'installation ou retirer des accessoires, avant de régler ou de changer des mises en place ou lors de réparations .

42. ÉTEIGNEZ LA MACHINE « OFF » , débranchez le machine de la source d'alimentation et nettoyez la table/zone de travail avant de quitter la machine. **VERROUILLEZ LA INTERRUPTEUR EN POSITION « OFF »** pour éviter utilisation non autorisée .

AVERTISSEMENT : LE NON-RESPECT DE CES RÈGLES PEUT ENTRAÎNER DES BLESSURES GRAVES .

CONSERVEZ CES INSTRUCTIONS.

Consultez-les souvent

et les utiliser pour instruire les autres.

CONNECTING TOOL TO POWER SOURCE

●CONNEXIONS ÉLECTRIQUES .

Un circuit électrique séparé doit être utilisé pour vos outils. Si vous utilisez une rallonge, utilisez uniquement des rallonges à 3 fils, dotées de fiches et de prises de terre, qui acceptent la fiche de l'outil. Avant de connecter le moteur au secteur, assurez-vous que l'interrupteur est en position « OFF » et que le courant électrique a les mêmes caractéristiques que celles indiquées sur l'outil.

Toutes les connexions de ligne doivent assurer un bon contact. Un fonctionnement à basse tension endommagerait le moteur .

AVERTISSEMENT : N'EXPOSEZ PAS L'OUTIL À LA PLUIE ET NE

L'UTILISEZ PAS DANS DES ENDROITS HUMIDES

●CARACTÉRISTIQUES DU MOTEUR

Votre outil est câblé pour : Courant alternatif 230 V 50 Hz en Europe ou 120 V 60 Hz en Amérique du Nord . Avant de connecter l'outil à la source d'alimentation, assurez-vous la machine est coupée de la source d'alimentation .

●INSTRUCTIONS DE MISE À LA TERRE

AVERTISSEMENT : CET OUTIL DOIT ÊTRE MIS À LA TERRE PENDANT SON UTILISATION POUR PROTÉGER L'OPÉRATEUR CONTRE LES CHOC ÉLECTRIQUE .

Tous les outils reliés à la terre et connectés par cordon :

7. En cas de dysfonctionnement ou de panne, la mise à la terre fournit un chemin

de moindre résistance au courant électrique afin de réduire le risque de décharge électrique. Cet outil est équipé d'un cordon électrique doté d'un conducteur de mise à la terre et d'une fiche de mise à la terre. La fiche doit être branchée sur une prise adaptée correctement installée et mise à la terre conformément à tous les codes et ordonnances locaux.

8. Ne modifiez pas la fiche fournie. Si elle ne s'adapte pas à la prise, faites installer la prise appropriée par un électricien qualifié.

9. Une connexion incorrecte du conducteur de mise à la terre de l'équipement peut entraîner un risque de décharge électrique. Le conducteur avec L'isolant ayant une surface extérieure verte avec ou sans rayures jaunes est le conducteur de mise à la terre de l'équipement. Si la réparation ou le remplacement du cordon électrique ou de la prise est nécessaire, ne connectez pas le conducteur de mise à la terre de l'équipement vers un terminal en direct .

10. Consultez un électricien qualifié ou un personnel de service si les instructions de mise à la terre ne sont pas entièrement comprises ou si en cas de doute quant à savoir si l'outil est correctement mis à la terre .

11. Utilisez uniquement des rallonges à 3 fils dotées de fiches et de prises de type terre qui acceptent la fiche de l'outil .

12. Réparez ou remplacez immédiatement le cordon endommagé ou usé .

AVERTISSEMENT : DANS TOUS LES CAS, ASSUREZ-VOUS QUE LA PRISE EN QUESTION EST CORRECTEMENT RELIÉE À LA TERRE. EN CAS DE DOUTE, DEMANDEZ À UN ÉLECTRICIEN QUALIFIÉ DE VÉRIFIER LA PRISE.

Utilisez des rallonges adaptées. Assurez-vous que votre rallonge est en bon état et qu'il s'agit d'une rallonge à 3 fils, dotée d'une fiche de mise à la terre et d'une prise qui accepte la fiche de l'outil. Lorsque vous utilisez une rallonge, assurez-vous d'en utiliser une suffisamment lourde pour supporter le courant de l'outil. Un cordon sous-dimensionné provoquera une chute de tension de ligne, ce qui entraînera une perte de puissance et une surchauffe.

INSTRUCTIONS FOR OPERATING THE DEVICE

●AVANT-PROPOS .

La perceuse Fox MS3816R est plus facile à manipuler que les perceuses traditionnelles équipées d'accessoires à mortaise. Le modèle MS3816R est fabriqué en fonte et en acier, ce qui est rigide et stable. La mortaise est équipée d'une clé standard à 3 mâchoires mandrin pour serrage positif du tenon.

●DEBALLAGE ET NETTOYAGE .

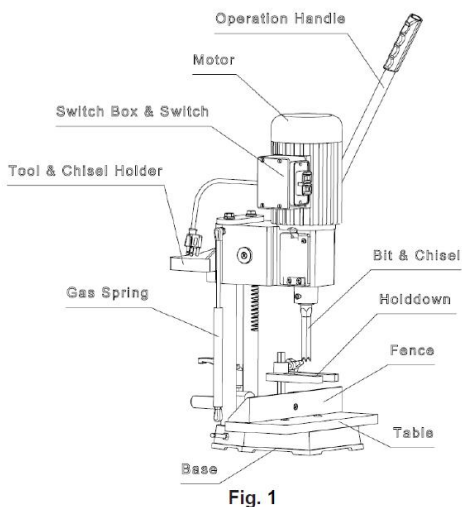
Déballer soigneusement la machine et tous les éléments non fixés du ou des cartons d'expédition. Retirez le revêtement protecteur de toutes les surfaces non peintes. Ce revêtement peut être retiré à l'aide d'un chiffon doux imbibé de kérosène (n'utilisez pas d'acétone, d'essence ou de diluant à laque à cet effet). Après le nettoyage, recouvrez les surfaces non peintes d'une cire à parquet domestique de bonne qualité .

AVIS : LA PHOTO DE COUVERTURE DU MANUEL ILLUSTRE LE MODÈLE DE PRODUCTION ACTUEL. TOUTES LES AUTRES ILLUSTRATIONS SONT UNIQUEMENT REPRÉSENTATIVES ET PEUVENT NE PAS REPRÉSENTER LA

COULEUR, L'ÉTIQUETAGE OU LES ACCESSOIRES RÉELS ET PEUVENT ÊTRE DESTINÉES À ILLUSTRER LA TECHNIQUE UNIQUEMENT.

AVIS : Le schéma de fonctionnement est fourni à titre de référence uniquement, et les accessoires réels du produit sont soumis au produit réel, et les méthodes de fonctionnement et d'utilisation restent inchangées.

●PIÈCES DE MORTAISEUSE À CISEAU CREUX . (Voir Figure 1).



AVERTISSEMENT : POUR VOTRE PROPRE SÉCURITÉ, NE BRANCHEZ PAS LA MACHINE À LA SOURCE D'ALIMENTATION AVANT QUE LA MACHINE SOIT COMPLÈTEMENT ASSEMBLÉE ET QUE VOUS AYEZ LU ET COMPRIS L'INTÉGRALITÉ DU MANUEL D'INSTRUCTIONS.

●Poignée de levage et ressort à gaz .

5.Assemblez le moyeu de l'ensemble poignée (A) Fig. 2, à l'extrémité de l'arbre pignon (B) et fixez la poignée à l'arbre pignon à l'aide d'une vis spéciale (C) et d'un ressort (D).

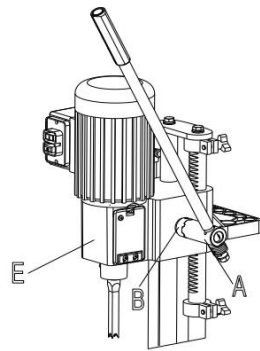
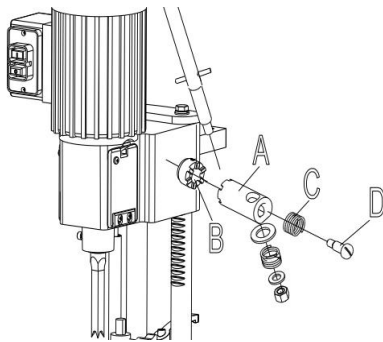


Fig. 2 Fig. 3

6. Soulever la tête de la mortaiseuse (E) Fig. 3, en position haute en tournant la poignée

(A) dans le sens des aiguilles d'une montre. REMARQUE : La poignée (A) est à ressort et peut être repositionnée en tirant la poignée et en la repositionnant sur l'arbre du pignon (B).

7. Assurez-vous que la tête (A) Fig.4, est maintenue en position haute et assemblez le ressort à gaz

(B) aux deux raccords (C), l'un situé sur la colonne et l'autre à l'arrière de la tête.

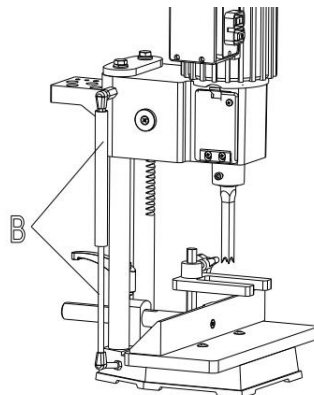
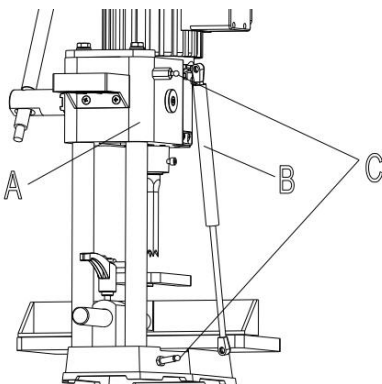


Fig. 4 Fig. 5

8. La figure 5 illustre le ressort à gaz (B) assemblé à la machine. Le ressort à gaz (B) maintient la tête en position haute.

● Surface de travail.

3.Assembler la table (A) Fig. 6, à la base à l'aide des deux vis à tête plate M6x1x35mm

vis (B) Insérez les deux vis (B) dans les deux trous (D) de la table (A). Placez les deux écrous en T (C) dans les fentes (E) prévues à cet effet dans la partie inférieure de la base et serrez fermement les deux vis (B) dans les deux écrous en T (C).

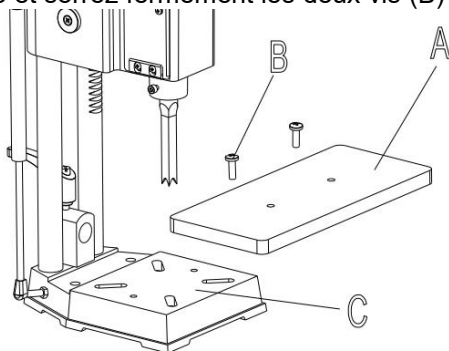


Fig. 6

4.La table (A) Fig. 6, peut être déplacée vers l'intérieur ou vers l'extérieur en desserrant les deux vis (B), et repositionner la table, puis serrer les vis (B).

●CLÔTURE ET MAINTIEN.

5.Localisez l'ensemble de la poignée et retirez la vis (A) Fig.7 et le ressort (B) de la poignée

(C). Séparer la poignée (C) du goujon (D).

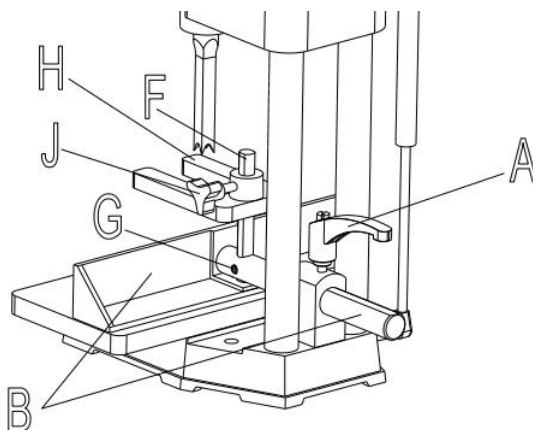


Fig.7

6. Insérez la barre de l'assemblage de clôture (E) Fig. 7, à travers le trou de la colonne comme indiqué.

Serrez la poignée (C) contre la barre de clôture pour maintenir la clôture en position. REMARQUE : La poignée (C) est à ressort et peut être repositionnée sur le goujon situé sous la poignée en tirant sur la poignée et en la repositionnant sur le goujon.

7. Insérez la barre (F) Fig. 7, dans le trou situé sur le dessus du guide comme indiqué, et serrez l'ensemble.

vis (G) contre méplat sur la barre (F).

8. Assembler la cale vers le bas (H) Fig. 7, sur la barre (F) comme indiqué, et serrer

vis de réglage (J) contre le plat de la barre .

●PORTE-OUTILS ET CISEAU .

3. Assemblez l'outil et le porte-burin (A) Fig8, sur le côté de la colonne à l'aide des deux

Vis M6x1x25mm (B) et Rondelles plates M6 comme illustré.

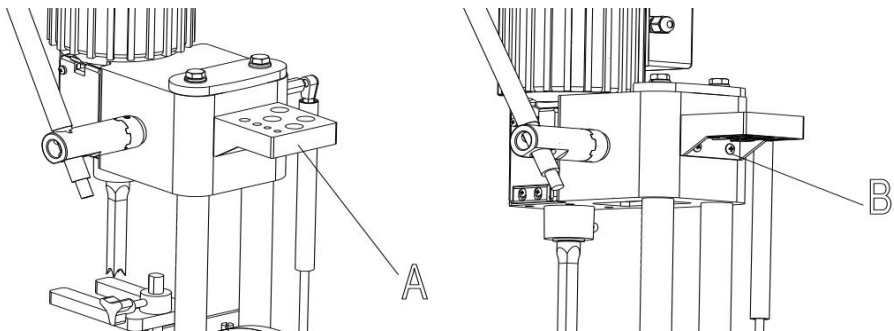


Fig8

4. illustre la clé à mandrin, la clé et les burins et les forets dans les trous de l'outil et

porte-burin (A) lorsqu'il n'est pas utilisé .

●LEVER ET ABAISSER LA TÊTE .

La tête (A) Fig. 9, est soulevée et abaissée au moyen du levier (B). Pour un effet de levier maximal pendant l'opération de mortaisage, le levier (B) peut être repositionné en retirant le moyeu (C) de l'ensemble levier et en repositionnant le moyeu sur l'arbre du pignon .

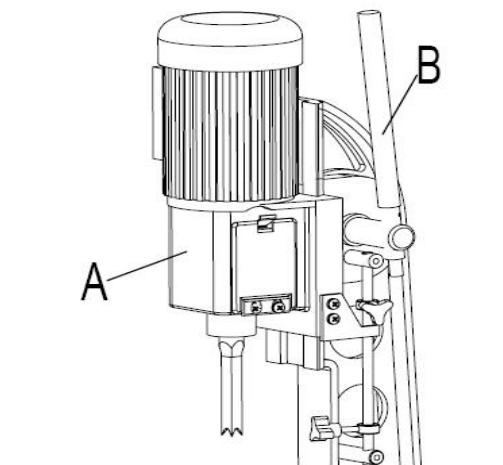


Fig. 9

●CLÔTURE .

La clôture (A) Fig10, peut être déplacée vers l'intérieur ou vers l'extérieur en desserrant le levier (B), en faisant glisser la clôture jusqu'à la position souhaitée. et le levier de serrage (B). REMARQUE : Le levier (B) est à ressort et peut être repositionné en tirant sur le levier et en le repositionnant sur l'écrou dentelé situé sous le levier .

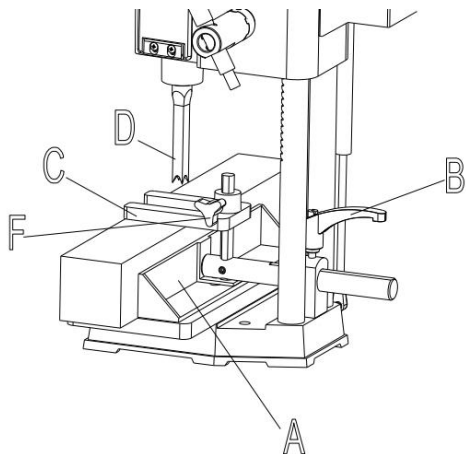


Fig. 10

●BUTÉE DE PROFONDEUR .

Un guide de butée de profondeur (A) Fig. 11, est prévu pour limiter la profondeur du ciseau (B). Pour régler le guide de butée de profondeur (A), desserrez la vis (C) et abaissez la tête jusqu'à ce que le ciseau (B) soit à la profondeur souhaitée. Abaissez le guide de butée de profondeur (A) jusqu'à ce qu'il soit à la profondeur souhaitée, serrez la vis (C).

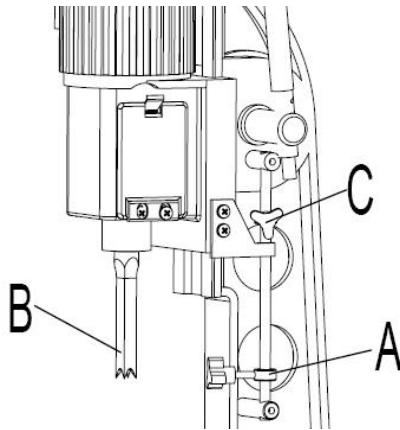


Fig. 11

●INSTALLATION DU CISEAU ET DE LA MÈCHE .

6. Desserrez la vis de verrouillage, comme indiqué sur la figure 12 .

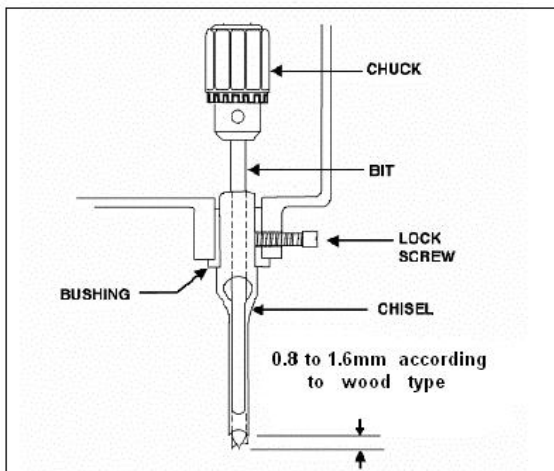


Fig. 12

7. Insérez la douille du ciseau (avec le trou tourné vers l'avant) dans la tête. Serrez la vis juste assez pour maintenir le ciseau en place.

REMARQUE : Réglez la fente sur le côté du ciseau *vers la gauche ou la droite*, PAS vers l'avant ou l'arrière. Cela permettra aux copeaux de s'échapper lors de la découpe de mortaises .

8. Poussez le ciseau aussi loin que possible dans la tête. Abaissez ensuite le ciseau d'environ 0,8 mm à 1,6 mm, selon le type de bois à travailler. Serrez la vis pour maintenir le ciseau en place.

9. Poussez le foret vers le haut à travers l'ouverture du ciseau aussi loin que possible. Verrouillez le foret en place avec la clé du mandrin.

10. Desserrez la vis et poussez le burin contre la douille, puis serrez la vis. Cela devrait fournir la distance appropriée entre les pointes du ciseau et la mèche.

MAINTENANCE

- La mortaiseuse ne nécessite qu'un entretien mineur, tel que le nettoyage et

lubrification et réglage de routine ainsi qu'affûtage du ciseau et de la mèche.

- Dépoussiérez la machine après chaque utilisation et, si nécessaire, utilisez des lampes

applications d'huile ou de graisse pour lubrifier les liaisons, les pièces mobiles, etc.

SHARPENING CHISEL & BIT

Les burins et les forets doivent être bien aiguisés pour une performance optimale. Des bords émoussés donneront des résultats inexacts sur la mortaise et le tenon, ce qui peut entraîner une surchauffe et une rupture du burin ou de la mèche. Si le burin et le foret sont très usés et difficiles à affûter, ils doivent être remplacés.

- Affûtez le foret en utilisant une petite lime lisse, en suivant la forme

d'origine

du foret. Limez le bord intérieur de l'éperon, les côtés de la pointe de clouage et le bord tranchant vers l'intérieur en direction de la cannelure du foret. Voir la figure 13. Ne limez pas le bord extérieur de l'éperon car cela affecterait le diamètre du foret.

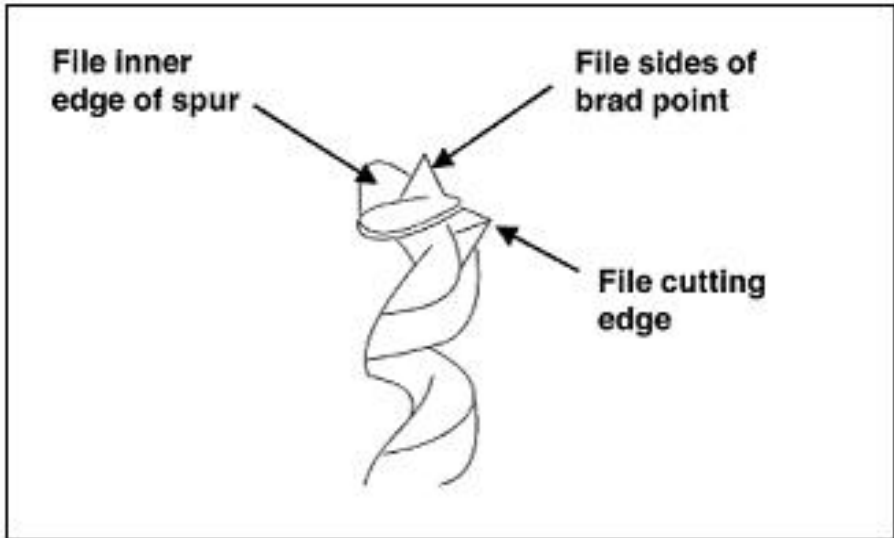


Fig. 13

- Aiguiser le ciseau avec un ciseau à mortaise et à tenon de la bonne taille guide. (La taille du pilote varie en fonction de la taille du ciseau). Deux à trois tours de la fraise dans le mandrin du charpentier suffisent pour affûter le ciseau, comme illustré à la figure 14 .

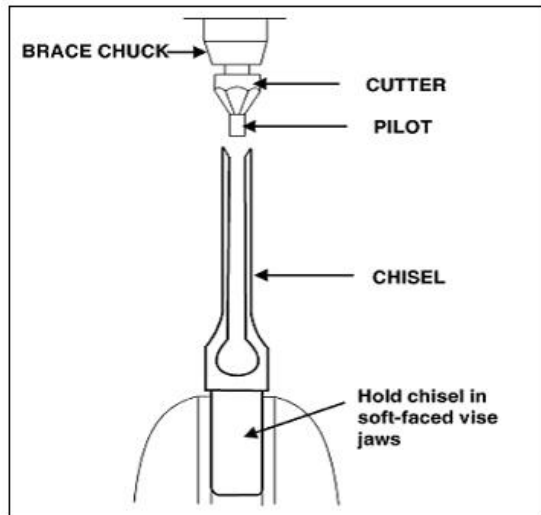


Fig. 14

- Utilisez une petite lime triangulaire et lisse pour soulager les coins intérieurs de la ciseau. Voir Fig. 15. Éliminez les bavures de l'extérieur du ciseau à l'aide d'une pierre à huile fine.

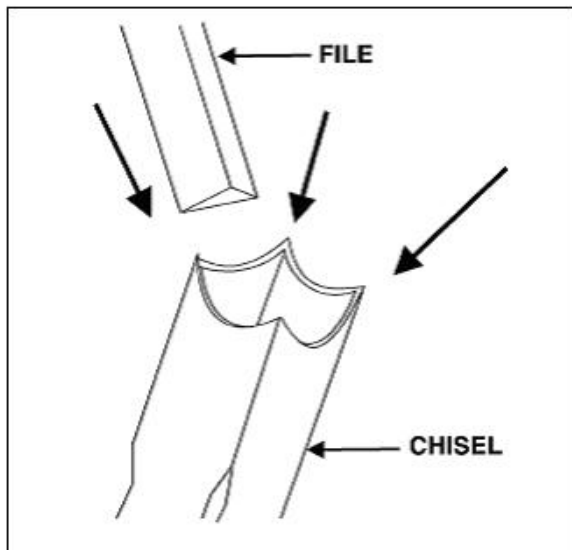
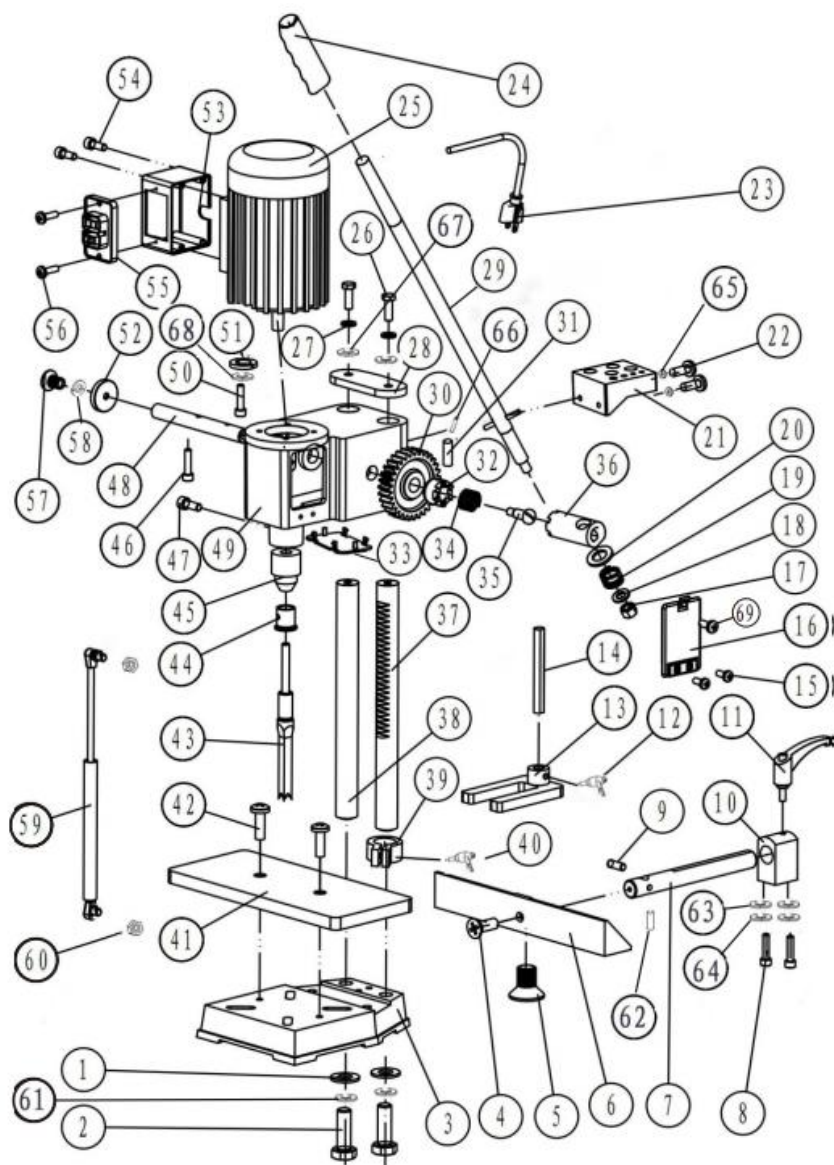


Fig. 15

PARTS DRAWINGS AND PARTS LISTS

Schéma des pièces



LISTE DES PIÈCES

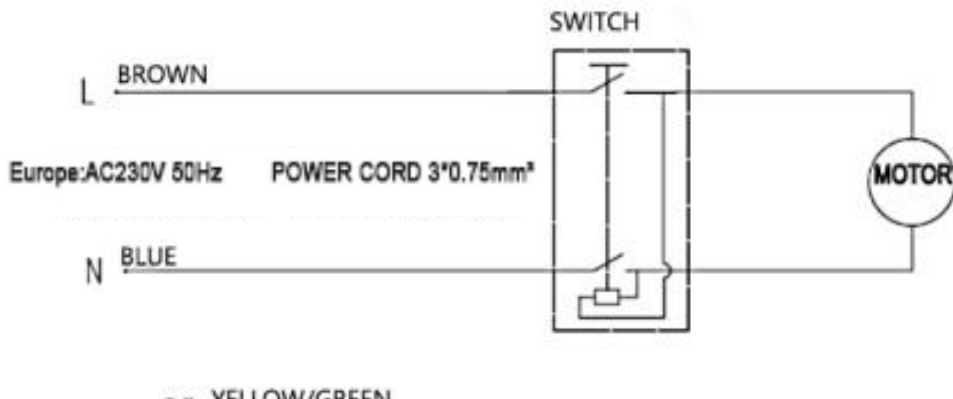
NON.	DESCRIPTION	Qté
1	RONDELLE DE BLOCAGE	2
2	BOULON	2
3	BASE	1
4	VIS	1
5	VIS	1
6	CLÔTURE	1
7	COLONNE DE GUIDAGE	1
8	VIS	2
9	VIS	1
10	SUPPORT DE GUIDAGE	1
11	POIGNÉE DE VERROUILLAGE	1
12	POIGNÉE DE VERROUILLAGE	1
13	PINCE DE MAINTIEN	1
14	COLONNE DE GUIDAGE	1
15	VIS	4
16	COUVERTURE	2
17	NOIX	1
18	RONDELLE DE BLOCAGE	1
19	PRINTEMPS	1
20	RONDELLE DE BLOCAGE	1

NON	DESCRIPTION	Qté
36	COUDE DE RACCORDEMENT B	1
37	COLONNE D'ENGRENAGE	1
38	COLONNE DE GUIDE	1
39	GUIDE DE RÉGLAGE DE PROFONDEUR	1
40	POIGNÉE DE VERROUILLAGE	1
41	TABLE EN BOIS	1
42	VIS	2
43	CISEAU	3
44	BUSES DE CISEAU	1
45	MANDRIN	1
46	VIS	1
47	VIS	1
48	ARBRE DE TRANSMISSION	1
49	CARTER D'ENGRENAGES	1
50	VIS	4
51	RONDELLE DE BLOCAGE	4
52	COUVERTURE	1
53	BOÎTE DE COMMUTATION	1
54	VIS	4
55	CHANGER	1

21	PORTE-OUTILS	1
22	VIS	2
23	CORDON D'ALIMENTATION	1
24	GANTS DE MANIPULATION	1
25	MOTEUR	1
26	VIS	2
27	RONDELLE	2
28	PLAQUE DE MARCHE	1
29	POIGNÉE	1
30	ENGRENAGE	1
31	ÉPINGLE	1
32	COUDE DE RACCORDEMENT A	1
33	COUVERTURE	1
34	PRINTEMPS	1
35	VIS	1

56	VIS	2
57	VIS	1
58	RONDELLE	1
59	Ressort à gaz	1
60	NOIX	2
61	RONDELLE	2
62	ÉPINGLE	1
63	RONDELLE DE BLOCAGE	2
64	RONDELLE	2
65	RONDELLE DE BLOCAGE	2
66	ÉPINGLE	1
67	RONDELLE DE BLOCAGE	2
68	RONDELLE	4
69	VIS	2
70	ÉPINGLE	1

WIRING DIAGRAM



ACCESSORIES LIST

Référence : **FSJ36127A3F340001V2**

- 24.Instructions *1
- 25.1/4 ciseau *1
- 26.3/8 ciseau * 1
- 27.1/2 ciseau * 1
- 28.Mandrins de perçage *1
- 29.Clôtures en fonte *1
- 30.Clé Allen *3
- 31.Tige de poignée *1
- 32.Poignée *1
- 33.Vis de tige de poignée hexagonale M6*20 *1
- 34.axe vertical *1
- 35.Blocs de pressage *1
- 36.Levier *1
- 37.Siège pivotant + vis *1
- 38.Porte-outils *1
- 39.Vis porte-outils M6*16 + rondelles plates *2
- 40.Clés de perçage *1
- 41.Lunettes de protection *1
- 42.Tige de serrage de perceuse *1
- 43.Vis pour planches de bois M8*20 *2
- 44.Leviers de fin de course gauche et droit *2
- 45.Manchon de limite + clé *2
- 46.Planches de travail en bois *1

Référence : [FSJMS36127A3F0001V2](#)

20.Instructions *1

21.1/4 ciseau *1

22.3/8 ciseau * 1

23.1/2 ciseau * 1

24.Mandrins de perçage *1

25.Clôtures en fonte *1

26.Clé Allen *3

27.Établi en bois *1

28.Arbre de carte de perçage *1

29.Tige de poignée *1

30.Clé de mandrin *1

31.Vis d'établi M8*26 vis *2

32.Guidon réglable *1

33.Blocs de pressage *1

34.axe vertical *1

35.Porte-outils *1

36.Vis porte-outils M6*16 + entretoises *2

37.Manchon de connexion de la tige de poignée *1

38.Vis de tige de poignée hexagonale M6*20 *1

Référence : [FSJ36127A3F120001V2](#)

21.Instructions *1

22.1/4 ciseau *1

23.3/8 ciseau * 1

24.1/2 ciseau * 1

25.Mandrins de perçage *1

26.Clôtures en fonte *1

27.Clé Allen *3

- 28.Établi en bois *1**
- 29.Arbre de carte de perçage *1**
- 30.Tige de poignée *1**
- 31.Clé de mandrin *1**
- 32.Vis d'établi M8*26 vis *2**
- 33.Guidon réglable *1**
- 34.Blocs de pressage *1**
- 35.axe vertical *1**
- 36.Porte-outils *1**
- 37.Vis porte-outils M6*16 + entretoises *2**
- 38.Manchon de raccordement de la tige de poignée *1
- 39.Siège pivotant + vis *1
- 40.Lunettes de protection *1



Please dispose of packaging for the product in a responsible manner. It is suitable for recycling. Help to protect the environment, take the packaging to the local amenity tip and place into the appropriate recycling bin.



Only for EU countries

Do not dispose of electric tools together with household waste material!

In observance of European Directive 2002/96/EC on waste electrical and electronic equipment and its implementation in accordance with national law, electric tools that have reached the end of their life must be collected separately and returned to an environmentally compatible recycling facility.

Adresse : Baoshanqu Shuangchenglu 803long 11hao 1602A-1609shi
Shanghai

Importé en Australie : SIHAO PTY LTD, 1 ROKEVA STREET, ASTWOOD
NSW 2122 Australie

Importé aux États-Unis : Sanven Technology Ltd., Suite 250, 9166
Anaheim Place, Rancho Cucamonga, CA 91730



Pooledas Group Ltd
Unit 5 Albert Edward House, The Pavilions
Preston, United Kingdom



SHUNSHUN GmbH
Römeräcker 9 Z2021, 76351
Linkenheim-Hochstetten, Germany

Fabriqué en Chine

VEVOR[®]

TOUGH TOOLS, HALF PRICE

Technique Certificat d'assistance et de garantie électronique
www.vevor.com/support

VEVOR®

TOUGH TOOLS, HALF PRICE

Technisch Support und E-Garantie-Zertifikat www.vevor.com/support

HOHLMEIßEL-STEMMMASCHINE

ANWEISUNGEN

MODELL: MS36127A3

Wir sind weiterhin bestrebt, Ihnen Werkzeuge zu wettbewerbsfähigen Preisen anzubieten. "Sparen Sie die Hälfte", "Halber Preis" oder andere ähnliche Ausdrücke, die wir nur verwenden stellt eine Schätzung der Einsparungen dar, die Sie durch den Kauf bestimmter Werkzeuge erzielen können mit uns im Vergleich zu den großen Top-Marken und bedeutet nicht unbedingt, Abdeckung alle von uns angebotenen Werkzeugkategorien. Wir möchten Sie bitten, zu überprüfen sorgfältig wenn Sie bei uns eine Bestellung aufgeben, wenn Sie tatsächlich Speichern Hälfte im Vergleich mit den Top-Großmarken.

VEVOR[®]

TOUGH TOOLS, HALF PRICE

HOLLOW CHISEL MORTISE
MACHINE

MODELL: MS36127A3






Brauchen Sie Hilfe? Kontaktieren Sie uns!

Sie haben Fragen zu unseren Produkten? Sie benötigen technischen Support? Dann kontaktieren Sie uns gerne:

Technischer Support und E-Garantie-Zertifikat

www.vevor.com/support

Dies ist die Originalanleitung. Bitte lesen Sie alle Anweisungen sorgfältig durch, bevor Sie das Gerät in Betrieb nehmen. VEVOR behält sich eine klare Auslegung unserer Bedienungsanleitung vor. Das Erscheinungsbild des Produkts richtet sich nach dem Produkt, das Sie erhalten haben. Bitte verzeihen Sie uns, dass wir Sie nicht erneut informieren, wenn es Technologie- oder Software-Updates für unser Produkt gibt .

	<p>Warnung: Um das Verletzungsrisiko zu verringern, muss der Benutzer die Bedienungsanleitung sorgfältig lesen.</p>
	<p>Dieses Gerät entspricht Teil 15 der FCC-Bestimmungen. Der Betrieb unterliegt den folgenden beiden Bedingungen: (1) Dieses Gerät darf keine schädlichen Störungen verursachen und (2) dieses Gerät muss alle empfangenen Störungen akzeptieren, einschließlich Störungen, die einen unerwünschten Betrieb verursachen können.</p>
	<p>Dieses Produkt unterliegt den Bestimmungen der europäischen Richtlinie 2012/19/EU. Das Symbol einer durchgestrichenen Mülltonne weist darauf hin, dass das Produkt in der Europäischen Union einer getrennten Müllentsorgung unterliegt. Dies gilt für das Produkt und alle mit diesem Symbol gekennzeichneten Zubehörteile. So gekennzeichnete Produkte dürfen nicht im normalen Hausmüll entsorgt werden, sondern müssen an einer Sammelstelle für das Recycling von elektrischen und elektronischen Geräten abgegeben werden.</p>

GENERAL SAFETY RULES

- Holzarbeiten können gefährlich sein, wenn sie sicher und ordnungsgemäß durchgeführt werden
Verfahren werden nicht befolgt. Wie bei allen Maschinen gibt es bestimmte Gefahren, die mit dem Betrieb des Produkts verbunden sind. Wenn Sie die Maschine mit Respekt und Vorsicht verwenden, verringert sich die Möglichkeit von Verletzungen erheblich. Wenn jedoch normale Sicherheitsvorkehrungen übersehen oder ignoriert werden, kann dies zu Verletzungen des Bedieners führen. Sicherheitsausrüstung wie Schutzvorrichtungen, Schiebestöcke, Niederhalter, Feder Schutzbretter, Schutzbrillen, Staubmasken und Gehörschutz können Ihr Verletzungsrisiko verringern. Aber selbst der beste Schutz kann schlechtes Urteilsvermögen, Nachlässigkeit oder Unaufmerksamkeit nicht wettmachen. Verwenden Sie in der Werkstatt immer Ihren gesunden Menschenverstand und seien Sie vorsichtig. Wenn Ihnen ein Verfahren gefährlich vorkommt, versuchen Sie es nicht. Finden Sie ein alternatives Verfahren, das Ihnen sicherer erscheint.
BEDENKEN SIE: Ihre persönliche Sicherheit liegt in Ihrer Verantwortung.
- Diese Maschine ist nur für bestimmte Anwendungen konzipiert. Wir empfehlen dringend, diese Maschine nicht zu modifizieren und/oder für andere Zwecke als die, für die sie konzipiert wurde, zu verwenden. Wenn Sie Fragen zu einer bestimmten Anwendung haben, verwenden Sie die Maschine **NICHT**, bevor Sie sich an Ihren Händler vor Ort gewandt haben, um zu klären, ob dies an der Maschine durchgeführt werden kann oder sollte. Produkt.
- **WARNUNG:** DIE NICHTBEACHTUNG DIESER REGELN KANN FÜHRT ZU SCHWEREN VERLETZUNGEN .

51. LESEN SIE ZU IHRER EIGENEN SICHERHEIT DIE BEDIENUNGSANLEITUNG, BEVOR SIE DAS WERKZEUG IN BETRIEB NEHMEN. Machen Sie sich mit der Anwendung und den Einschränkungen des

- Werkzeugs sowie den damit verbundenen besonderen Gefahren vertraut .
- 52.**Sorgen Sie dafür, dass die Schutzvorrichtungen an Ort und Stelle** und in funktionsfähigem Zustand bleiben .
- 53.**TRAGEN SIE IMMER EINEN AUGENSCHUTZ** . Tragen Sie eine Schutzbrille. Normale Brillen haben nur schlagfeste Gläser; sie sind keine Schutzbrillen. Tragen Sie auch eine Gesichts- oder Staubmaske, wenn der Schneidvorgang staubig ist.
- 54.**ENTFERNEN SIE EINSTELLSCHLÜSSEL UND SCHLÜSSEL** . Gewöhnen Sie sich an, zu prüfen, ob Schlüssel und Einstellschlüssel aus dem Werkzeug entfernt wurden, bevor Sie es einschalten.
- 55.**HALTEN SIE DEN ARBEITSBEREICH SAUBER** . Unordnung in Bereichen und auf Bänken ist eine Gefahr für Unfälle .
- 56.**NICHT IN GEFÄHRLICHEN UMGEBUNGEN VERWENDEN.**
Elektrowerkzeuge nicht in feuchten oder nassen Umgebungen verwenden oder dem Regen aussetzen. Sorgen Sie für eine gute Beleuchtung des Arbeitsbereichs.
- 57.**HALTEN SIE KINDER UND BESUCHER FERN** . Alle Kinder und Besucher sollten einen sicheren Abstand vom Arbeitsbereich einhalten.
- 58.**WERKSTATT KINDERSICHER MACHEN** – mit Vorhängeschlössern, Hauptschaltern oder durch Abziehen der Zündschlüssel .
- 59.**Wenden Sie keine Gewalt an dem Werkzeug an** . Es wird die Arbeit besser erledigen und sicherer sein, wenn es in der vorgesehenen Geschwindigkeit arbeitet .
- 60.**VERWENDEN SIE DAS RICHTIGE WERKZEUG** . Verwenden Sie Werkzeuge oder Anbaugeräte nicht zu Arbeiten, für die sie nicht vorgesehen sind .
- 61.**SIE PASSENDE KLEIDUNG** . Tragen Sie keine losen Kleidungsstücke, Handschuhe, Krawatten, Ringe, Armbänder oder anderen Schmuck, die in beweglichen Teilen hängen bleiben könnten. Rutschfestes Schuhwerk wird empfohlen. Tragen Sie einen Haarschutz, um lange Haare zusammenzuhalten.
- 62.**SICHERE ARBEIT** . Verwenden Sie, wenn möglich, Klemmen oder einen Schraubstock, um das Werkstück festzuhalten. Das ist sicherer als die Verwendung Ihrer Hände und gibt Ihnen außerdem beide Hände zum Arbeiten frei .
- 63.**NICHT ZU ÜBERGREIFEN** . Sorgen Sie stets für einen guten Stand und das

Gleichgewicht .

- 64. HALTEN SIE IHRE WERKZEUGE IN EINEM TOPZUSTAND** . Halten Sie Ihre Werkzeuge scharf und sauber, um optimale und sichere Leistung zu erzielen. Befolgen Sie die Anweisungen zum Schmieren und Wechseln von Zubehör .
- 65. TRENNEN SIE WERKZEUGE** vor der Wartung und beim Wechseln von Zubehör wie Klingen, Bits, Fräsern usw .
- 66. VERWENDEN SIE EMPFOHLENES ZUBEHÖR** . Die Verwendung von Zubehör und Zusatzgeräten, die vom Hersteller nicht empfohlen werden, kann zu Gefahren oder Verletzungsrisiken für Personen führen .
- 67. REDUZIEREN SIE DAS RISIKO EINES UNBEABSICHTIGTEN STARTS** . Stellen Sie sicher, dass sich der Schalter in der Position „OFF“ befindet, bevor Sie das Netzkabel einstecken. Bringen Sie den Schalter bei einem Stromausfall in die Position „OFF“ .
- 68. STELLEN SIE SICH NIEMALS AUF DAS WERKZEUG** . Wenn das Werkzeug umkippt oder versehentlich mit dem Schneidwerkzeug in Berührung kommt, kann es zu schweren Verletzungen kommen .
- 69. BESCHÄDIGTE TEILE PRÜFEN** . Vor der weiteren Verwendung des Werkzeugs muss eine beschädigte Schutzvorrichtung oder ein anderes Teil sorgfältig geprüft werden, um sicherzustellen, dass es ordnungsgemäß funktioniert und seine vorgesehene Funktion erfüllt. Überprüfen Sie die Ausrichtung beweglicher Teile, das Blockieren beweglicher Teile, Bruchstellen von Teilen, die Montage und alle anderen Bedingungen, die den Betrieb beeinträchtigen könnten. Eine beschädigte Schutzvorrichtung oder ein anderes Teil muss ordnungsgemäß repariert oder ersetzt werden .
- 70. VORSCHUBRICHTUNG** : Führen Sie das Werkstück nur entgegen der Drehrichtung des Sägeblatts bzw. Fräsers in dieses ein .
- 71. LASSEN SIE DAS WERKZEUG NIEMALS UNBEAUF SICHTIGT WERDEN. SCHALTEN SIE DEN STROM AUS** . Lassen Sie das Werkzeug nicht unbeaufsichtigt, bis es vollständig zum Stillstand gekommen ist .
- 72. BLEIBEN SIE WACHSAM, PASSEN SIE AUF, WAS SIE TUN, UND VERWENDEN SIE BEI DER BEDIENUNG EINES ELEKTROWERKZEUGS IHREN GESUNDEN MENSCHENVERSTAND. VERWENDEN SIE DAS WERKZEUG NICHT, WENN SIE MÜDE SIND ODER UNTER DEM EINFLUSS VON DROGEN, ALKOHOL ODER MEDIKAMENTEN STEHEN.** Ein Moment der Unaufmerksamkeit

beim Betrieb eines Elektrowerkzeugs kann zu schweren Verletzungen führen.

73. **STELLEN SIE SICHER, DASS DAS WERKZEUG VON DER STROMVERSORGUNG GETRENNT IST**, während der Motor montiert, angeschlossen oder wieder angeschlossen wird .
74. **Der von bestimmten Hölzern und Holzprodukten erzeugte Staub** kann gesundheitsschädlich sein. Betreiben Sie Maschinen immer in gut belüfteten Bereichen und sorgen Sie für eine ordnungsgemäße Staubabsaugung. Verwenden Sie nach Möglichkeit Holzstaubsammelsysteme .
75. **WARNUNG: EINIGE DER BEIM SCHLEIFEN, SÄGEN, SCHLEIFEN, BOHREN UND ANDEREN BAUARBEITEN ENTSTEHENDEN STAUBSTÄUBE** enthalten Chemikalien, die nachweislich Krebs, Geburtsfehler oder andere Fortpflanzungsschäden verursachen. Einige Beispiele für diese Chemikalien sind :
- Blei aus bleihaltigen Farben .
 - kristalline Kieselsäure aus Ziegeln, Zement und anderen Mauerwerksprodukten.
 - Arsen und Chrom aus chemisch behandeltem Holz .

Ihr Risiko durch diese Belastungen hängt davon ab, wie häufig Sie diese Art von Arbeit verrichten. So reduzieren Sie Ihre Belastung durch diese Chemikalien: Arbeiten Sie in einem gut belüfteten Bereich und tragen Sie zugelassene Sicherheitsausrüstung, wie z. B. Staubmasken, die speziell dafür entwickelt wurden, mikroskopisch kleine Partikel herauszufiltern .

ADDITIONAL SAFETY RULES FOR HOLLOW CHISEL MORTISERS

43. **BETREIBEN SIE DIESE MASCHINE NICHT**, bis sie entsprechend der Anleitung **zusammengebaut** und **installiert** .
44. **Holen Sie sich Rat von Ihrem Vorgesetzten, Ausbilder oder eine andere qualifizierte Person**, wenn Sie nicht mit der Bedienung dieser Maschine vertraut sein .

45. **BEFOLGEN SIE ALLE VERKABELUNGSVORSCHRIFTEN** und empfohlene Elektrische Anschlüsse .
46. **Stellen Sie sicher, dass** die Maschine an einer Stütze befestigt ist Oberfläche, um ein Umkippen während des Betriebs zu verhindern .
47. Schalten Sie die Stemmmaschine **NIEMALS „ ON “** vor dem Löschen der Tabelle aller Objekte (Werkzeuge, Schrottstücke usw.) .
48. **IMMER** fern von der rotierende Bohrer .
49. **NICHT**, Material zu verstemmen, das nicht eine ebene Fläche haben, sofern keine geeignete Unterlage verwendet wird .
50. **IMMER** direkt über dem Werkstück um ein Anheben des Werkstücks während des Betriebs zu verhindern .
51. **IMMER** sicher gegen den Anschlag um eine Drehung zu verhindern .
52. **Stellen Sie sicher**, dass der Bohrer scharf, unbeschädigt und richtig vor dem Betrieb im Spannfutter gesichert .
53. **Stellen Sie sicher, dass** der Bohrfutterschlüssel vor dem Start entfernt wurde. Maschine .
54. **NIEMALS** mit dem Bohrer oder Meißel ein Kontakt mit dem Werkstück .
55. **NIEMALS** Layout-, Montage- oder Einrichtungsarbeiten durch an der Tisch, während die Stemmmaschine in Betrieb ist .
56. **Justieren Sie** den Tiefenanschlag, um ein Bohren in die Tisch .
57. **IMMER** den Strom aus, bevor Sie Schrott entfernen Stücke vom Tisch .
58. **Schalten Sie die Stromversorgung ab** , entfernen Sie Bohrer und Meißel, und reinigen Sie den Tisch, bevor Sie die Maschine verlassen .
- 59. ZU IHRER EIGENEN SICHERHEIT – Tragen Sie keine Handschuhe, wenn Bedienung der Maschine .**
60. **Sollte** ein Teil Ihres Werkzeugs fehlen, beschädigt sein oder in irgendeiner Weise ausfallen oder eine elektrische Komponente nicht funktioniert ordnungsgemäß, Schalter ausschalten und Stecker aus der Steckdose ziehen Steckdose. Ersetzen Sie fehlende, beschädigte oder defekte Teile bevor der Betrieb wieder aufgenommen wird .
61. **Die Verwendung** von Zubehörteilen und Zubehörteilen, die nicht Die von Delta empfohlene Verwendung kann zu Verletzungen führen .

62. SIE DIE MASCHINE AUS UND TRENNEN SIE Trennen Sie die Maschine von der Stromquelle, bevor Sie sie installieren. oder Entfernen von Zubehör vor dem Einstellen oder Ändern oder bei Reparaturen .

63. SIE DIE MASCHINE AUS , trennen Sie die Trennen Sie die Maschine von der Stromquelle und reinigen Sie Tisch/Arbeitsbereich, bevor Sie die Maschine verlassen. SCHALTER IN DER POSITION „ OFF “ , um zu verhindern unbefugte Verwendung .

WARNUNG: DIE NICHTBEACHTUNG DIESER REGELN KANN ZU SCHWEREN VERLETZUNGEN FÜHREN .

**BEWAHREN SIE DIESE ANWEISUNGEN AUF.
Beziehen Sie sich oft darauf und nutzen Sie sie, um andere zu unterweisen.**

CONNECTING TOOL TO POWER SOURCE

●STROMANSCHLÜSSE .

Für Ihre Werkzeuge sollte ein separater Stromkreis verwendet werden. Wenn Sie ein Verlängerungskabel verwenden, verwenden Sie nur 3-adrige Verlängerungskabel mit Erdungssteckern und -buchsen, die für den Stecker des Werkzeugs geeignet sind. Bevor Sie den Motor an die Stromleitung anschließen, vergewissern Sie sich, dass der Schalter auf „ OFF “ steht und dass der elektrische Strom die gleichen Eigenschaften

aufweist wie auf dem Werkzeug angegeben.

Alle Leitungsanschlüsse müssen guten Kontakt haben. Ein Betrieb mit zu geringer Spannung führt zu Motorschäden .

WARNUNG: Setzen Sie das Werkzeug nicht dem Regen aus und verwenden Sie es nicht an feuchten Orten.

●MOTORSPEZIFIKATIONEN

Ihr Werkzeug ist verkabelt für : Europa 230 V 50Hz oder Nordamerika 120V 60Hz Wechselstrom. Bevor Sie das Werkzeug an die Stromquelle anschließen, stellen Sie sicher, die Maschine ist von der Stromquelle getrennt .

●ERDUNGSANLEITUNG

WARNUNG: DIESES WERKZEUG MUSS WÄHREND DES GEBRAUCHS GEERDET WERDEN, UM DEN BEDIENER VOR ELEKTRISCHER SCHLAG .

Alle geerdeten, kabelgebundenen Werkzeuge:

13. Im Falle einer Störung oder eines Ausfalls bietet die Erdung einen Pfad

des geringsten Widerstands für elektrischen Strom, um das Risiko eines Stromschlags zu verringern. Dieses Werkzeug ist mit einem Stromkabel mit einem Erdungsleiter und einem Erdungsstecker ausgestattet. Der Stecker muss in eine passende Steckdose eingesteckt werden, die ordnungsgemäß installiert und gemäß allen örtlichen Vorschriften und Verordnungen geerdet ist.

14. Verändern Sie den mitgelieferten Stecker nicht. Wenn er nicht in die Steckdose passt, lassen Sie die richtige Steckdose von einem qualifizierten Elektriker installieren.

15. Bei unsachgemäßem Anschluss des Erdungsleiters besteht die Gefahr eines elektrischen Schlags. Der Leiter mit Isolierung mit einer grünen Außenfläche mit oder ohne gelbe Streifen ist der Erdungsleiter. Wenn eine Reparatur oder ein Austausch des Stromkabels oder Steckers erforderlich ist, schließen Sie den Erdungsleiter des Geräts nicht an zu einem Live-Terminal .

16. Wenden Sie sich an einen qualifizierten Elektriker oder Servicetechniker, wenn die Erdungsanweisungen nicht vollständig verstanden werden oder wenn bei Zweifeln, ob das Werkzeug ordnungsgemäß geerdet ist .

17. Verwenden Sie ausschließlich dreiadrige Verlängerungskabel mit Erdungssteckern und Steckdosen, die für den Stecker des Werkzeugs geeignet sind .

18. Reparieren oder ersetzen Sie beschädigte oder abgenutzte Kabel sofort .

ACHTUNG: STELLEN SIE IN JEDEM FALL SICHER, DASS DIE BETREFFENDE STECKDOSE ORDNUNGSGEMÄSS GEERDET IST. WENN SIE NICHT SICHER SIND, LASSEN SIE DIE STECKDOSE VON EINEM QUALIFIZIERTEN ELEKTRIKER ÜBERPRÜFEN.

Verwenden Sie geeignete Verlängerungskabel. Stellen Sie sicher, dass Ihr Verlängerungskabel in gutem Zustand ist und ein 3-adriges Verlängerungskabel mit einem Erdungsstecker und einer Steckdose ist, die den Stecker des Werkzeugs aufnehmen kann. Achten Sie bei Verwendung eines Verlängerungskabels darauf, dass es stark genug ist, um den Strom des Werkzeugs zu übertragen. Ein zu kleines Kabel führt zu einem Abfall der Netzspannung, was zu Stromverlust und Überhitzung führt.

INSTRUCTIONS FOR OPERATING THE DEVICE

●VORWORT .

Die Fox MS3816R ist einfacher zu handhaben als herkömmliche Bohrmaschinen mit Einsteckvorrichtungen. Das Modell MS3816R besteht aus Gusseisen und Stahl, was es starr und stabil macht. Das Einsteckschloss ist mit einem Standardschlüssel mit 3 Backen ausgestattet Spannfutter zum sicheren Halten des Zapfens.

●AUSPACKEN UND REINIGEN .

Packen Sie die Maschine und alle losen Teile vorsichtig aus dem

Versandkarton aus. Entfernen Sie die Schutzschicht von allen unlackierten Oberflächen. Diese Schicht kann mit einem weichen, mit Kerosin angefeuchteten Tuch entfernt werden (verwenden Sie hierfür kein Aceton, Benzin oder Lackverdünner). Bedecken Sie die unlackierten Oberflächen nach der Reinigung mit einer hochwertigen Bodenwachspaste für den Haushalt .

HINWEIS: DAS TITELBILD DES HANDBUCHS ZEIGT DAS AKTUELLE PRODUKTIONSMODELL. ALLE ANDEREN ABBILDUNGEN SIND NUR REPRÄSENTATIVER ART UND DARSTELLEN MÖGLICHERWEISE NICHT DIE TATSÄCHLICHE FARBE, BESCHRIFTUNG ODER ZUBEHÖRTEILE UND DIENEN MÖGLICHERWEISE NUR DER DARSTELLUNG DER TECHNIK.

HINWEIS: Das Betriebsdiagramm dient nur als Referenz. Das tatsächliche Zubehör des Produkts unterliegt dem tatsächlichen Produkt und die Betriebs- und Verwendungsmethoden bleiben unverändert.

● **TEILE EINER HOHLMEISSEL-STEMMMASCHINE (Siehe Abbildung 1).**

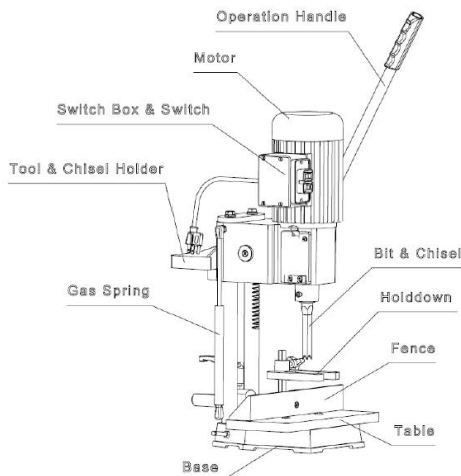


Fig. 1

WARNUNG: SCHLIESSEN SIE DIE MASCHINE ZU IHRER EIGENEN SICHERHEIT ERST AN DIE STROMQUELLE AN, WENN DIE MASCHINE VOLLSTÄNDIG ZUSAMMENGEBAUT IST UND SIE DIE GESAMTE BETRIEBSANLEITUNG GELESEN UND VERSTANDEN HABEN.

● Hebegriff und Gasfeder .

9. Montieren Sie die Nabe der Griffbaugruppe (A), Abb. 2, am Ende der Ritzelwelle (B) und befestigen Sie den Griff mit der Spezialschraube (C) und der Feder (D) an der Ritzelwelle.

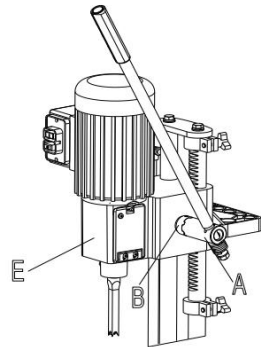
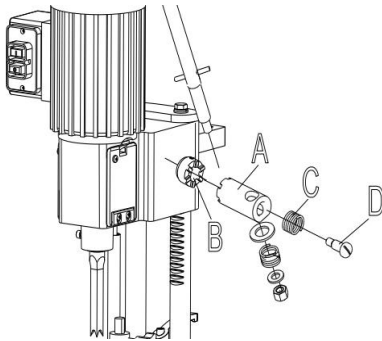


Abb. 2 Abb. 3

10. Den Kopf der Stemmmaschine (E) Abb. 3 durch Drehen des Griffs in die obere Position anheben

(A) im Uhrzeigersinn. HINWEIS: Der Griff (A) steht unter Federspannung und kann neu positioniert werden, indem der Griff herausgezogen und erneut auf der Ritzelwelle (B) positioniert wird.

11. Stellen Sie sicher, dass der Kopf (A) Abb. 4 in der oberen Position gehalten wird und montieren Sie die Gasfeder

(B) an den beiden Anschlüssen (C), von denen sich einer an der Säule und der andere an der Rückseite des Kopfes befindet.

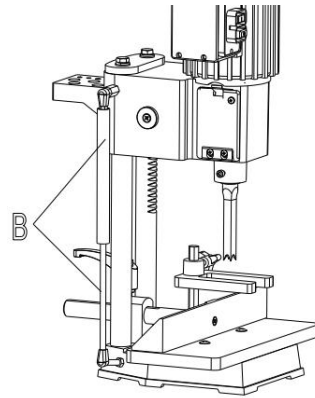
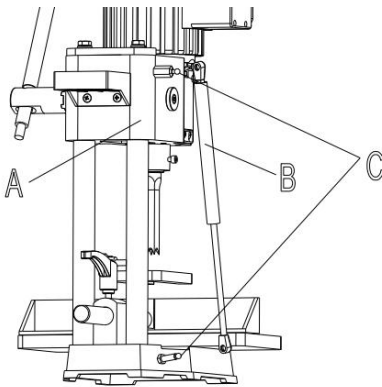


Abb. 4 Abb. 5

12.Abb. 5 zeigt die an der Maschine montierte Gasfeder (B). Die Gasfeder (B) hält den Kopf in der oberen Position.

●Arbeitsfläche.

5.Montieren Sie den Tisch (A) Abb. 6 mit den beiden M6x1x35mm Flachkopfschrauben an der Basis

Schrauben (B) Stecken Sie die beiden Schrauben (B) in die beiden Löcher (D) im Tisch (A). Setzen Sie die beiden T-Muttern (C) in die dafür vorgesehenen Schlitz (E) an der Unterseite des Sockels und ziehen Sie die beiden Schrauben (B) in c

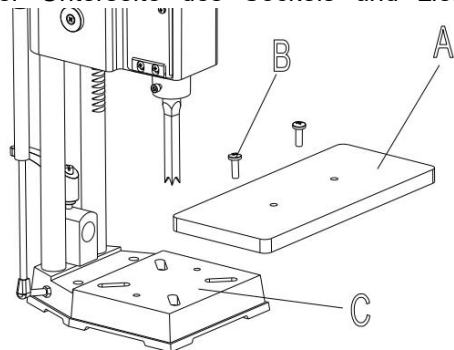


Abb. 6

6.Der Tisch (A) Abb. 6 kann durch Lösen der beiden Schrauben (B) ein- oder ausgefahren werden.

Positionieren Sie den Tisch neu und ziehen Sie dann die Schrauben (B) fest.

●ZAUN UND NIEDERHALTERUNG.

9.Lokalisieren Sie die Griffbaugruppe und entfernen Sie die Schraube (A) Abb.7 sowie die Feder (B) vom Griff

(C). Griff (C) vom Bolzen (D) trennen.

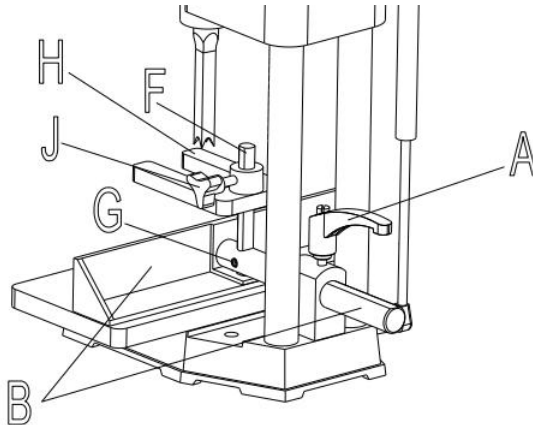


Abb.7

10.Stecken Sie die Stange der Zaunbaugruppe (E) Abb. 7 durch das Loch in der Säule, wie gezeigt.

Den Griff (C) gegen die flache Seite der Zaunstange festziehen, um den Zaun in Position zu halten. HINWEIS: Der Griff (C) ist federbelastet und kann auf dem Bolzen unter dem Griff neu positioniert werden, indem der Griff herausgezogen und auf dem Bolzen neu positioniert wird.

11.Stecken Sie die Stange (F) Abb. 7 in das Loch auf der Oberseite des Zauns, wie gezeigt, und ziehen Sie sie fest.

Schraube (G) gegen die flache Seite der Stange (F).

12.Den Griff zusammenbauen nach unten (H) Abb. 7, auf die Stange (F) wie gezeigt und festziehen

Stellschraube (J) gegen die flache Seite der Stange .

●WERKZEUG- UND MEIßELHALTER .

5.Montieren Sie den Werkzeug- und Meißelhalter (A) Abb. 8 mit den beiden

M6x1x25mm Schrauben (B) und M6-Unterlegscheiben wie abgebildet.

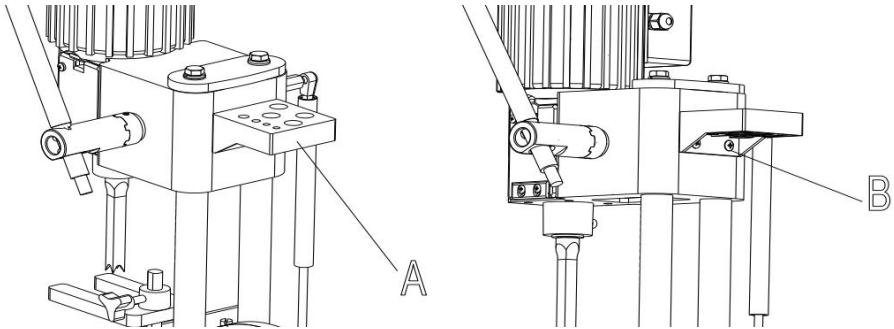


Abb. 8

6. Veranschaulicht den Bohrfutterschlüssel, Schraubenschlüssel und Meißel und Bits in Löchern des Werkzeugs und Meißelhalter (A), wenn er nicht verwendet wird .

● HEBEN UND SENKUNG DES KOPFES .

Der Kopf (A) Abb. 9 wird mit dem Hebel (B) angehoben und abgesenkt. Um beim Stemmen eine maximale Hebelwirkung zu erzielen, kann der Hebel (B) neu positioniert werden, indem die Nabe (C) der Hebelbaugruppe herausgezogen und die Nabe auf der Ritzelwelle neu positioniert wird .

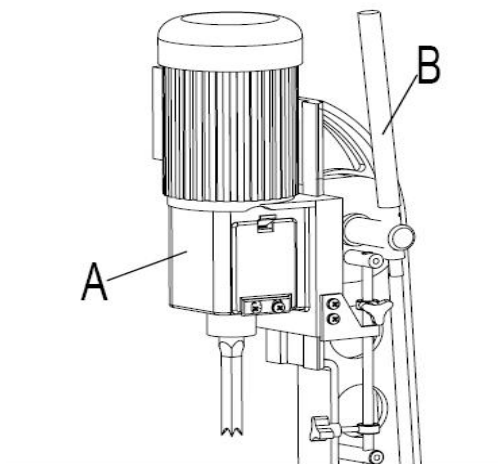


Abb. 9

●ZAUN .

Der Anschlag (A) Abb. 10 kann durch Lösen des Hebels (B) nach innen oder außen verschoben werden. Schieben Sie den Anschlag in die gewünschte Position. und Festziehen des Hebels (B). HINWEIS: Der Hebel (B) steht unter einer Feder und kann neu positioniert werden, indem man den Hebel herauszieht und ihn auf der gezahnten Mutter unter dem Hebel neu positioniert .

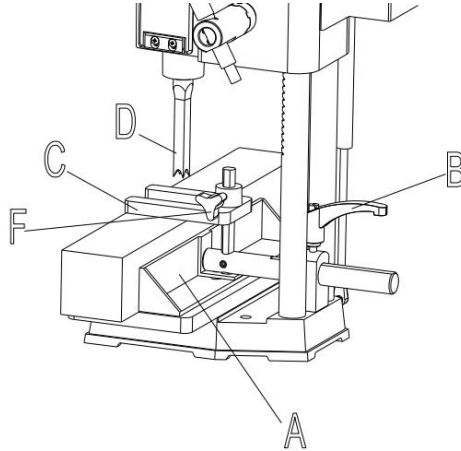


Abb. 10

●TIEFENSTOPP .

Eine Tiefenbegrenzung (A) Abb. 11 dient zur Begrenzung der Tiefe des Meißels (B). Um die Tiefenbegrenzung (A) einzustellen, lösen Sie die Schraube (C) und senken Sie den Kopf ab, bis der Meißel (B) die gewünschte Tiefe erreicht hat. Senken Sie die Tiefenbegrenzung (A) ab, bis sie die gewünschte Tiefe erreicht hat, und ziehen Sie die Schraube (C) fest.

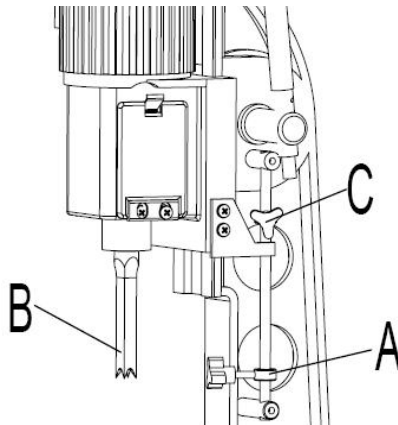


Abb. 11

●INSTALLATION VON MEIßEL UND MESSER .

11. Lösen Sie die Feststellschraube, wie in Abbildung 12 gezeigt .

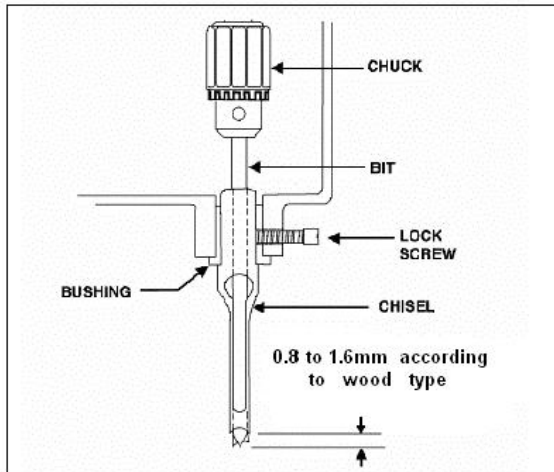


Abb. 12

12. Setzen Sie die Meißelbuchse (mit dem Loch nach vorne) in den Kopf ein. Ziehen Sie die Schraube gerade so fest an, dass der Meißel an Ort und Stelle bleibt.

HINWEIS: Setzen Sie den Schlitz an der Seite des Meißels *nach links oder rechts*, NICHT nach vorne oder hinten. Dadurch können beim Schneiden von Zapfenlöchern Späne entweichen .

13. Schieben Sie den Meißel so weit wie möglich in den Kopf. Senken Sie den Meißel dann je nach Holzart um ca. 0,8 mm bis 1,6 mm ab. Ziehen Sie die Schraube fest, um den Meißel an Ort und Stelle zu halten.

14. Den Bohrer bis zum Anschlag durch die Meißelöffnung schieben. Den Bohrer mit dem Bohrfutterschlüssel fixieren.

15. Schraube lösen und Meißel gegen die Buchse drücken, dann Schraube festziehen. Dies sollte der richtige Abstand zwischen den Spitzen des Meißels und des Bohrers.

MAINTENANCE

- Die Stemmmaschine erfordert nur geringe Wartungsarbeiten, wie Reinigung und Schmierung und regelmäßige Einstellung und Schärfen von Meißel und Bohrer.
- Entstauben Sie die Maschine nach jedem Gebrauch und verwenden Sie bei Bedarf leichte Anwendung von Öl oder Fett zum Schmieren von Gestängen, beweglichen Teilen usw.

SHARPENING CHISEL & BIT

Meißel und Bohrer sollten für optimale Leistung scharf gehalten werden. Stumpfe Kanten führen zu ungenauen Ergebnissen bei Zapfen und Zapfenlöchern, was zu Überhitzung und Bruch des Meißels oder Bohrers führen kann. Wenn Meißel und Bohrer stark abgenutzt und schwer zu schärfen sind, sollten sie ersetzt werden.

- Schärfen Sie den Bohrer mit einer kleinen, glatten Feile und folgen Sie dabei der ursprünglichen Form des Bohrers. Feilen Sie die Innenkante des Sporns, die Seiten der Brad-Spitze und die Schneide nach innen in Richtung der Nut des Bohrers. Siehe Abb. 13. Feilen Sie nicht die Außenkante des Sporns, da dies den Durchmesser des Bohrers beeinflusst.

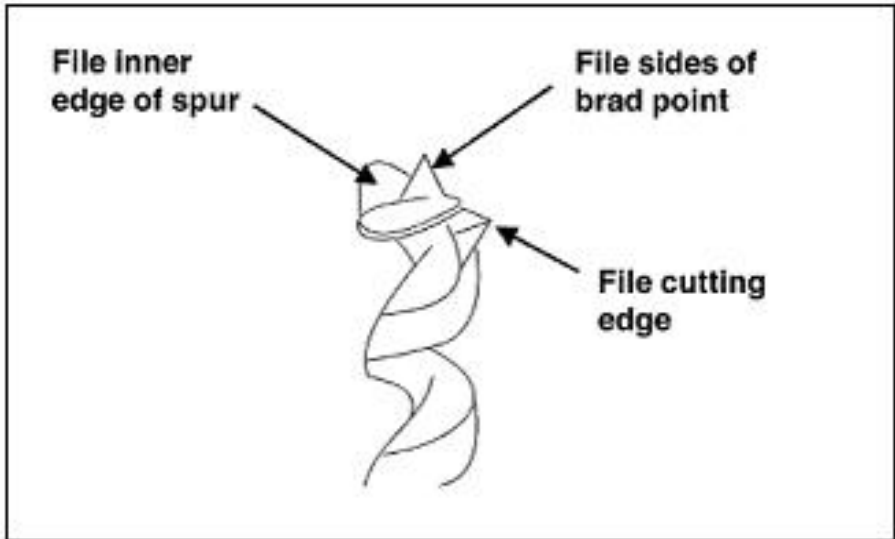


Abb . 13

- Schärfen Sie den Meißel mit einem Schlitz- und Zapfenmeißel der richtigen Größe
Führung. (Die Führungsgröße variiert je nach Größe des Meißels.) Zwei bis drei Umdrehungen des Fräasers im Spannfutter des Zimmermanns genügen, um den Meißel zu schärfen, wie in Abbildung 14 gezeigt .

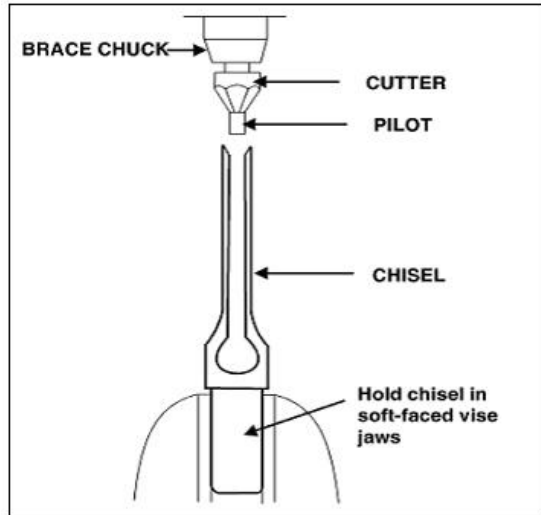


Abb . 14

- Mit einer kleinen, dreieckigen, glatten Feile die inneren Ecken des Meißel. Siehe Abb. 15. Entfernen Sie alle Grate von der Außenseite des Meißels mit einem feinen Ölstein.

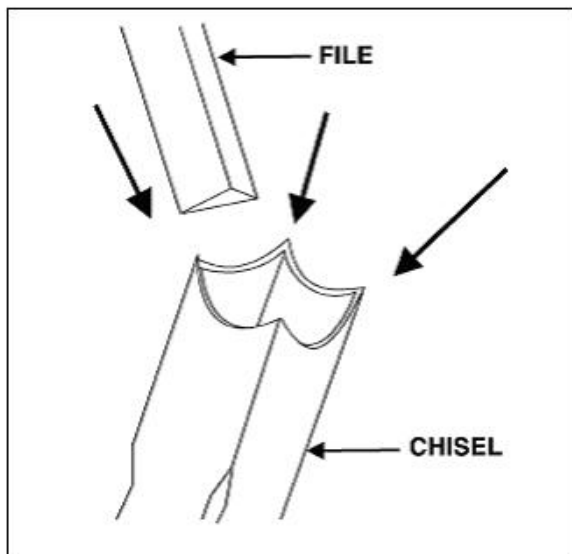
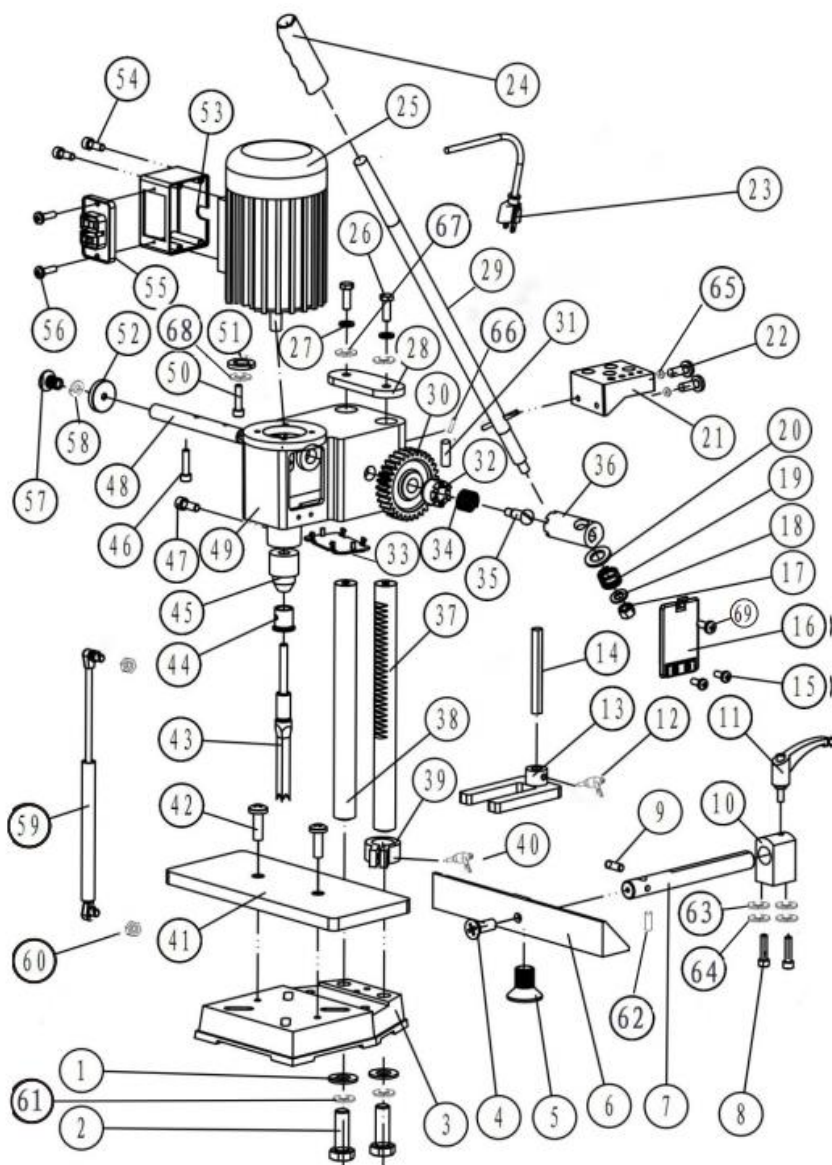


Abb . 15

Teilediagramm



TEILELISTE

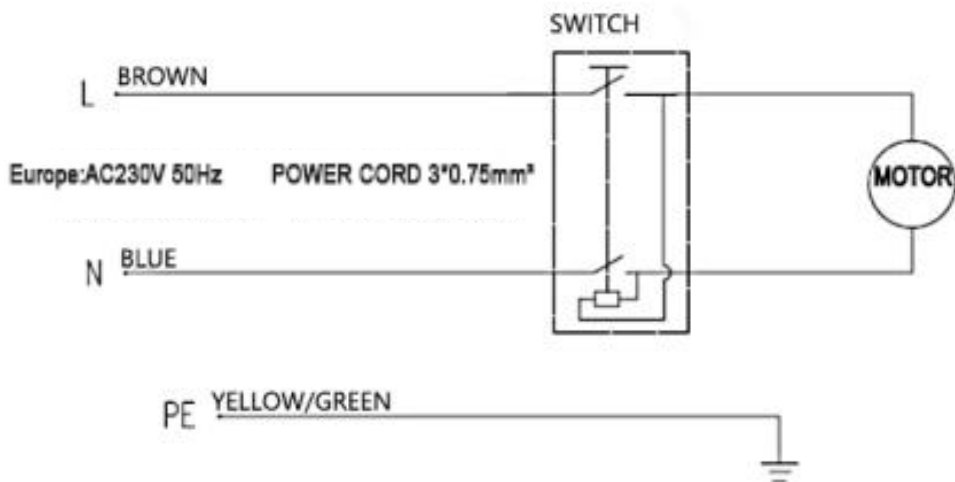
NEIN.	BESCHREIBUNG	Men ge
1	Federscheibe	2
2	BOLZEN	2
3	BASE	1
4	SCHRAUBEN	1
5	SCHRAUBEN	1
6	ZAUN	1
7	LEITFADENSPALTE	1
8	SCHRAUBEN	2
9	SCHRAUBEN	1
10	FÜHRUNGSHALTER	1
11	SCHLOSSGRIFF	1
12	SCHLOSSGRIFF	1
13	Niederhalteklammer	1
14	LEITFADENSPALTE	1
15	SCHRAUBEN	4
16	ABDECKUNG	2
17	NUSS	1
18	Federscheibe	1
19	FRÜHLING	1
20	Federscheibe	1
21	WERKZEUGREGAL	1
22	SCHRAUBEN	2
23	NETZKABEL	1
24	GRIFFHANDSCHUHE	1
25	MOTOR	1
26	SCHRAUBEN	2
27	WASCHMASCHINE	2

NEIN	BESCHREIBUNG	Men ge
36	ANSCHLUSSBOGEN B	1
37	ZAHNRADSÄULE	1
38	Führungssäule	1
39	TIEFENEINSTELLUNGSAN LEITUNG	1
40	SCHLOSSGRIFF	1
41	HOLZTISCH	1
42	SCHRAUBEN	2
43	MEISSEL	3
44	Meißelbüchse	1
45	FUTTER	1
46	SCHRAUBEN	1
47	SCHRAUBEN	1
48	ZAHNRADWELLE	1
49	Getriebegehäuse	1
50	SCHRAUBEN	4
51	Federscheibe	4
52	ABDECKUNG	1
53	SCHALTKASTEN	1
54	SCHRAUBEN	4
55	SCHALTEN	1
56	SCHRAUBEN	2
57	SCHRAUBEN	1
58	WASCHMASCHINE	1
59	GASFEDER	1
60	NUSS	2
61	WASCHMASCHINE	2
62	STIFT	1

28	Trittplatte	1
29	HANDHABEN	1
30	GANG	1
31	STIFT	1
32	ANSCHLUSSBOGEN A	1
33	ABDECKUNG	1
34	FRÜHLING	1
35	SCHRAUBEN	1

63	Federscheibe	2
64	WASCHMASCHINE	2
65	Federscheibe	2
66	STIFT	1
67	Federscheibe	2
68	WASCHMASCHINE	4
69	SCHRAUBEN	2
70	STIFT	1

WIRING DIAGRAM



ACCESSORIES LIST

Artikelnummer: [FSJ36127A3F340001V2](#)

47.Anleitung *1

48.1/4 Meißel *1

49.3 / 8 Meißel *1

50.1 / 2 Meißel *1

51.Bohrfutter * 1

52.Gusseisenzäune *1

53.Inbusschlüssel *3

54.Griffstange * 1

55.Griff * 1

56.Griffstangenschraube Sechskant M6*20 *1

57.vertikale Achse *1

58.Pressblöcke *1

59.Hebel *1

60.Spinnersitz + Schrauben *1

61.Werkzeughalter *1

62.Werkzeughalterschrauben M6*16 + Unterlegscheiben *2

63.Bohrschlüssel *1

64.Schutzbrille *1

65.Bohrer klemme welle * 1

66.Holzbrettschrauben M8*20 *2

67.Linker und rechter Begrenzungshebel *2

68.Begrenzungshülse + Schraubenschlüssel *2

69.Holzarbeitsplatten *1

Artikelnummer: [FSJMS36127A3F0001V2](#)

39.Anleitung *1

40.1/4 Meißel *1

41.3 / 8 Meißel *1

42.1 / 2 Meißel *1

43.Bohrfutter * 1

44.Gusseisenzäune *1

45.Inbusschlüssel *3

46.Holzwerkbank * 1

47.Bohrer karte welle * 1

48.Griffstange * 1

49.Bohrfutterschlüssel * 1

50.Werkbankschrauben M8*26 Schrauben *2

51.Verstellbarer Lenker *1

52.Pressblöcke *1

53.vertikale Achse *1

54.Werkzeughalter *1

55.Werkzeughalterschrauben M6*16 + Distanzstücke *2

56.Griffstangen-Verbindungshülse * 1

57.Griffstangenschraube Sechskant M6*20 *1

Artikelnummer: [FSJ36127A3F120001V2](#)

41.Anleitung *1

42.1/4 Meißel *1

43.3 / 8 Meißel *1

44.1 / 2 Meißel *1

45.Bohrfutter * 1

46.Gusseisenzäune *1

- 47.Inbusschlüssel *3**
- 48.Holzwerkbank * 1**
- 49.Bohrer karte welle * 1**
- 50.Griffstange * 1**
- 51.Bohrfutterschlüssel * 1**
- 52.Werkbankschrauben M8*26 Schrauben *2**
- 53.Verstellbarer Lenker *1**
- 54.Pressblöcke *1**
- 55.vertikale Achse *1**
- 56.Werkzeughalter *1**
- 57.Werkzeughalterschrauben M6*16 + Distanzstücke *2**
- 58.Griffstangen-Verbindungshülse * 1
- 59.Spinnersitz + Schrauben *1
- 60.Schutzbrille *1



Please dispose of packaging for the product in a responsible manner. It is suitable for recycling. Help to protect the environment, take the packaging to the local amenity tip and place into the appropriate recycling bin.



Only for EU countries

Do not dispose of electric tools together with household waste material!

In observance of European Directive 2002/96/EC on waste electrical and electronic equipment and its implementation in accordance with national law, electric tools that have reached the end of their life must be collected separately and returned to an environmentally compatible recycling facility.

Adresse: Baoshanqu Shuangchenglu 803long 11hao 1602A-1609shi
Shanghai

Nach AUS importiert: SIHAO PTY LTD, 1 ROKEVA
STREETEASTWOOD NSW 2122 Australien

Importiert in die USA: Sanven Technology Ltd., Suite 250, 9166 Anaheim
Place, Rancho Cucamonga, CA 91730



Pooledas Group Ltd
Unit 5 Albert Edward House, The Pavilions
Preston, United Kingdom



SHUNSHUN GmbH
Römeräcker 9 Z2021, 76351
Linkenheim-Hochstetten, Germany

In China hergestellt

VEVOR[®]

TOUGH TOOLS, HALF PRICE

Technisch Support und E-Garantie-Zertifikat
www.vevor.com/support

VEVOR[®]

TOUGH TOOLS, HALF PRICE

Tecnico Supporto e certificato di garanzia elettronica www.vevor.com/support

MACCHINA PER MORTASARE A SCALPELLO CAVO

ISTRUZIONI

MODELLO: MS36127A3

Continuiamo a impegnarci per fornirvi strumenti a prezzi competitivi. "Risparmia la metà", "Metà prezzo" o altre espressioni simili utilizzate solo da noi rappresenta una stima dei risparmi che potresti ottenere acquistando determinati strumenti con noi rispetto ai grandi marchi top e non significa necessariamente copertina tutte le categorie di strumenti da noi offerti. Ti ricordiamo cortesemente di verificare accuratamente quando effettui un ordine con noi se sei effettivamente Risparmio Metà rispetto ai marchi più importanti.

VEVOR®

TOUGH TOOLS, HALF PRICE

HOLLOW CHISEL MORTISE
MACHINE

MODELLO: MS36127A3






HAI BISOGNO DI AIUTO? CONTATTACI!

Hai domande sui prodotti? Hai bisogno di supporto tecnico? Non esitare a contattarci:

Supporto tecnico e certificato di garanzia elettronica

www.vevor.com/support

Questa è l'istruzione originale, si prega di leggere attentamente tutte le istruzioni del manuale prima di utilizzare. VEVOR si riserva una chiara interpretazione del nostro manuale utente. L'aspetto del prodotto sarà soggetto al prodotto ricevuto. Vi preghiamo di perdonarci se non vi informeremo di nuovo se ci sono aggiornamenti tecnologici o software sul nostro prodotto.

	<p>Attenzione: per ridurre il rischio di lesioni, l'utente deve leggere attentamente il manuale di istruzioni.</p>
	<p>Questo dispositivo è conforme alla Parte 15 delle Norme FCC. Il funzionamento è soggetto alle due condizioni seguenti: (1) Questo dispositivo non può causare interferenze dannose e (2) Questo dispositivo deve accettare qualsiasi interferenza ricevuta, comprese le interferenze che possono causare un funzionamento indesiderato.</p>
	<p>Questo prodotto è soggetto alle disposizioni della Direttiva Europea 2012/19/CE. Il simbolo raffigurante un bidone della spazzatura barrato indica che il prodotto richiede la raccolta differenziata dei rifiuti nell'Unione Europea. Ciò si applica al prodotto e a tutti gli accessori contrassegnati con questo simbolo. I prodotti contrassegnati come tali non possono essere smaltiti con i normali rifiuti domestici, ma devono essere portati in un punto di raccolta per il riciclaggio di dispositivi elettrici ed elettronici</p>

GENERAL SAFETY RULES

- La lavorazione del legno può essere pericolosa se eseguita in modo sicuro e corretto
procedure non vengono seguite. Come per tutti i macchinari, ci sono alcuni pericoli connessi al funzionamento del prodotto. Utilizzare la macchina con rispetto e cautela ridurrà notevolmente la possibilità di lesioni personali. Tuttavia, se le normali precauzioni di sicurezza vengono trascurate o ignorate, potrebbero verificarsi lesioni personali all'operatore. Dispositivi di sicurezza come protezioni, spingitori, fermi, feather tavole, occhiali protettivi, maschere antipolvere e protezioni acustiche possono ridurre il rischio di lesioni. Ma anche la migliore protezione non compenserà un cattivo giudizio, la disattenzione o la negligenza. Usa sempre il buon senso e fai attenzione in officina. Se una procedura ti sembra pericolosa, non provarla. Trova una procedura alternativa che ti faccia sentire più sicuro. **RICORDA:** la tua sicurezza personale è una tua responsabilità.
- Questa macchina è stata progettata solo per determinate applicazioni.
raccomanda vivamente che questa macchina non possa essere modificata e/o utilizzata per applicazioni diverse da quelle per cui è stata progettata. In caso di domande relative a un'applicazione specifica, **NON** utilizzare la macchina prima di aver contattato il rivenditore locale per determinare se può o deve essere eseguita sulla prodotto.
- **ATTENZIONE: IL MANCATO RISPETTO DI QUESTE REGOLE POTREBBE COMPORTARE GRAVI LESIONI PERSONALI .**

76. PER LA VOSTRA SICUREZZA, LEGGERE IL MANUALE DI ISTRUZIONI PRIMA DI UTILIZZARE L'UTENSILE. Imparare l'applicazione e le limitazioni

- dell'utensile, nonché i pericoli specifici peculiari ad esso .
- 77.MANTENERE LE PROTEZIONI IN POSIZIONE** e in condizioni di funzionamento .
- 78.INDOSSARE SEMPRE PROTEZIONI PER GLI OCCHI** . Indossare occhiali di sicurezza. Gli occhiali da vista di uso quotidiano hanno solo lenti resistenti agli urti; non sono occhiali di sicurezza. Utilizzare anche una maschera facciale o antipolvere se l'operazione di taglio è polverosa.
- 79.RIMUOVERE LE CHIAVI DI REGOLAZIONE E LE CHIAVI INGLESÌ** . Prendi l'abitudine di controllare che le chiavi e le chiavi di regolazione siano state rimosse dall'utensile prima di accenderlo.
- 80.MANTIENI PULITA L'AREA DI LAVORO** . Aree e panche disordinate favoriscono gli incidenti .
- 81.NON USARE IN AMBIENTI PERICOLOSI**. Non usare utensili elettrici in luoghi umidi o bagnati, né esporli alla pioggia. Mantenere l'area di lavoro ben illuminata.
- 82.TENERE LONTANI BAMBINI E VISITATORI** . Tutti i bambini e i visitatori devono essere tenuti a distanza di sicurezza dall'area di lavoro.
- 83.RENDERE L'OFFICINA A PROVA DI BAMBINO** : con lucchetti, interruttori principali o rimuovendo le chiavi di avviamento .
- 84.NON FORZARE L'UTENSILE** . Farà meglio il lavoro e sarà più sicuro alla velocità per cui è stato progettato .
- 85.USARE L'UTENSILE GIUSTO** . Non forzare l'utensile o l'accessorio a svolgere un lavoro per il quale non è stato progettato .
- 86.ABBIGLIAMENTO ADEGUATO** . Non indossare indumenti larghi, guanti, cravatte, anelli, braccialetti o altri gioielli che possano impigliarsi nelle parti in movimento. Si raccomandano calzature antiscivolo. Indossare una copertura protettiva per contenere i capelli lunghi.
- 87.LAVORO SICURO** . Utilizzare morsetti o una morsa per tenere fermo il lavoro quando è possibile. È più sicuro che usare le mani e consente di liberare entrambe le mani per lavorare .
- 88.NON ECCEDERE** . Mantenere sempre un appoggio e un equilibrio adeguati .
- 89.MANTENERE GLI UTENSILI IN CONDIZIONI OTTIMALI** . Mantenere gli utensili affilati e puliti per prestazioni migliori e più sicure. Seguire le istruzioni per la lubrificazione e la sostituzione degli accessori .

90. **SCOLLEGARE GLI UTENSILI** prima di effettuare la manutenzione e quando si cambiano accessori come lame, punte, frese ecc .
91. **UTILIZZARE GLI ACCESSORI CONSIGLIATI** . L'uso di accessori e attacchi non consigliati dal produttore può causare pericoli o rischi di lesioni alle persone .
92. **RIDURRE IL RISCHIO DI AVVIAMENTO INVOLONTARIO** . Assicurarsi che l'interruttore sia in posizione "OFF" prima di collegare il cavo di alimentazione. In caso di interruzione di corrente, spostare l'interruttore in posizione "OFF" .
93. **NON STARE MAI SULL'UTENSILE** . Potrebbero verificarsi gravi lesioni se l'utensile si inclina o se l'utensile da taglio entra accidentalmente in contatto .
94. **CONTROLLARE LE PARTI DANNEGGIATE** . Prima di utilizzare ulteriormente l'utensile, una protezione o un'altra parte danneggiata deve essere attentamente controllata per assicurarsi che funzioni correttamente e svolga la sua funzione prevista: controllare l'allineamento delle parti mobili, il bloccaggio delle parti mobili, la rottura delle parti, il montaggio e qualsiasi altra condizione che possa influenzare il suo funzionamento. Una protezione o un'altra parte danneggiata deve essere riparata o sostituita correttamente .
95. **DIREZIONE DI AVANZAMENTO** . Alimentare il pezzo in una lama o fresa solo contro la direzione di rotazione della lama o della fresa .
96. **NON LASCIARE MAI L'UTENSILE IN FUNZIONE SENZA CURA. SPEGNERE L'ALIMENTAZIONE.** Non lasciare l'utensile finché non si è completamente fermato .
97. **RIMANI ATTENTO, FAI ATTENZIONE A COSA STAI FACENDO E USA IL BUON SENSO QUANDO UTILIZZI UN ELETTROUTENSILE. NON USARE L'UTENSILE QUANDO SEI STANCO O SOTTO L'EFFETTO DI DROGHE, ALCOL O MEDICINALI.** Un momento di disattenzione durante l'utilizzo di elettroutensili può causare gravi lesioni personali.
98. **ASSICURARSI CHE L'UTENSILE SIA SCOLLEGATO DALL'ALIMENTAZIONE ELETTRICA** durante il montaggio, il collegamento o il ricollegamento del motore .
99. **LA POLVERE GENERATA** da alcuni legni e prodotti in legno può essere dannosa per la salute. Utilizzare sempre i macchinari in aree ben ventilate e provvedere alla corretta rimozione della polvere. Utilizzare sistemi di raccolta della polvere di legno quando possibile .

100.ATTENZIONE: ALCUNE POLVERI CREATE DA LEVIGATURA, SEGATURA, MOLATURA, PERFORAZIONE E ALTRE ATTIVITÀ DI COSTRUZIONE contengono sostanze chimiche note per causare cancro, difetti alla nascita o altri danni riproduttivi. Ecco alcuni esempi di queste sostanze chimiche :

piombo da vernici a base di piombo .

silice cristallina da mattoni, cemento e altri prodotti in muratura.

arsenico e cromo provenienti dal legname trattato chimicamente .

Il rischio derivante da queste esposizioni varia a seconda della frequenza con cui si svolge questo tipo di lavoro. Per ridurre l'esposizione a queste sostanze chimiche: lavorare in un'area ben ventilata e utilizzare attrezzature di sicurezza approvate, come le maschere antipolvere appositamente progettate per filtrare le particelle microscopiche .

ADDITIONAL SAFETY RULES FOR HOLLOW CHISEL MORTISERS

64. NON UTILIZZARE QUESTA MACCHINA finché non è **assemblato** e **installato** secondo le istruzioni .

65. CHIEDI CONSIGLIO AL TUO SUPERVISORE, istruttore o altra persona qualificata se non lo sei familiarità con il funzionamento di questa macchina .

66. SEGUIRE TUTTI I CODICI DI CABLAGGIO e consigliati collegamenti elettrici .

67. ASSICURARSI che la macchina sia fissata ad un supporto superficie per evitare che si ribalti durante il funzionamento .

68. NON accendere MAI la mortasatrice su “ **ON** ” prima di cancellare il tabella di tutti gli oggetti (utensili, pezzi di scarto, ecc.) .

69. SEMPRE mani, dita e capelli lontani da la parte rotante .

70. NON tentare di incastrare materiale che non avere una superficie piana, a meno che non venga utilizzato un supporto idoneo .

71. **SEMPRE** il fermo direttamente sul pezzo in lavorazione per evitare che il pezzo in lavorazione si sollevi durante il funzionamento .
72. **SEMPRE** saldamente il pezzo da lavorare contro la recinzione per impedire la rotazione .
73. **ASSICURARSI che** la punta del trapano sia affilata, non danneggiata e correttamente fissato nel mandrino prima dell'operazione .
74. **ASSICURARSI che** la chiave del mandrino sia stata rimossa prima di iniziare macchina .
75. accendere MAI l'alimentazione con la punta del trapano o lo **scalpello** contatto con il pezzo in lavorazione .
76. **NON** eseguire MAI lavori di layout, assemblaggio o installazione su il tavolo mentre la mortasatrice è in funzione .
77. **REGOLARE** il fermo di profondità per evitare di forare nel tavolo .
78. Spegnere **SEMPRE l'alimentazione prima di rimuovere i rottami** pezzi dal tavolo .
79. **SPEGNERE** l'alimentazione, rimuovere la punta del trapano e lo scalpello, e pulire il tavolo prima di lasciare la macchina .
- 80. PER LA TUA SICUREZZA - Non indossare guanti quando azionare la macchina .**
81. **SE** una parte del tuo strumento dovesse mancare, essere danneggiata o non funzionare in alcun modo o un componente elettrico non riesce a funzionare correttamente, spegnere l'interruttore e staccare la spina dalla presa di corrente presa di alimentazione. Sostituisci le parti mancanti, danneggiate o guaste prima di riprendere il funzionamento .
82. **L'USO** di allegati e accessori non raccomandati da Delta possono comportare il rischio di lesioni .
83. **SPEGNERE LA MACCHINA E SCOLLEGARLA LA MACCHINA** dalla fonte di alimentazione prima di installare o rimuovere gli accessori, prima di regolare o modificare configurazioni o quando si effettuano riparazioni .
84. **SPEGNERE LA MACCHINA “ OFF ”** , scollegare il macchina dalla fonte di alimentazione e pulirla tavolo/zona di lavoro prima di lasciare la macchina.

BLOCCARE IL INTERRUTTORE IN POSIZIONE “ OFF ” per evitare uso non autorizzato .

ATTENZIONE: LA MANCATA OSSERVANZA DI QUESTE REGOLE PUÒ COMPORTARE GRAVI LESIONI PERSONALI .

CONSERVARE QUESTE ISTRUZIONI.

Riferiscili spesso

e utilizzarli per istruire gli altri.

CONNECTING TOOL TO POWER SOURCE

●COLLEGAMENTI DI ALIMENTAZIONE .

Per i tuoi utensili dovresti usare un circuito elettrico separato. Se usi una prolunga, usa solo prolunghes a 3 fili, che hanno spine e prese di tipo con messa a terra, che accettano la spina dell'utensile. Prima di collegare il motore alla linea elettrica, assicurati che l'interruttore sia in posizione "OFF" e che la corrente elettrica abbia le stesse caratteristiche indicate sull'utensile.

Tutti i collegamenti di linea devono avere un buon contatto. Il funzionamento a bassa tensione danneggerà il motore .

ATTENZIONE: NON ESPORRE L'UTENSILE ALLA PIOGGIA O UTILIZZARLO IN LUOGHI UMIDI

●SPECIFICHE MOTORE

Il tuo strumento è cablato per : Europa 230 V 50 Hz o Nord America 120 V 60 Hz corrente alternata. Prima di collegare l'utensile alla fonte di alimentazione, assicurarsi la macchina è staccata dalla fonte di alimentazione .

●ISTRUZIONI PER LA MESSA A TERRA

ATTENZIONE: QUESTO STRUMENTO DEVE ESSERE COLLEGATO A TERRA DURANTE L'USO PER PROTEGGERE L'OPERATORE DA SCOSSA ELETTRICA .

Tutti gli utensili collegati a terra e tramite cavo:

19. In caso di malfunzionamento o guasto, la messa a terra fornisce un percorso

di minima resistenza per la corrente elettrica per ridurre il rischio di scosse elettriche. Questo utensile è dotato di un cavo elettrico con un conduttore di messa a terra dell'apparecchiatura e una spina di messa a terra. La spina deve essere inserita in una presa corrispondente correttamente installata e messa a terra in conformità con tutti i codici e le ordinanze locali.

20. Non modificare la spina in dotazione: se non si adatta alla presa, far installare la presa adatta da un elettricista qualificato.

21. Un collegamento non corretto del conduttore di messa a terra dell'apparecchiatura può comportare il rischio di scosse elettriche. Il conduttore con isolamento avente una superficie esterna verde con o senza strisce gialle è il conduttore di messa a terra dell'apparecchiatura. Se se è necessaria la riparazione o la sostituzione del cavo elettrico o della spina, non collegare il conduttore di messa a terra dell'apparecchiatura a un terminale attivo .

22. Se le istruzioni di messa a terra non sono state completamente comprese o se in caso di dubbi sulla corretta messa a terra dell'utensile .

23. Utilizzare solo prolunghe a 3 fili dotate di spine con messa a terra e prese che accettino la spina dell'utensile .

24. Riparare o sostituire immediatamente il cavo danneggiato o usurato .

ATTENZIONE: IN OGNI CASO, ASSICURARSI CHE LA PRESA IN QUESTIONE SIA CORRETTAMENTE MESSA A TERRA. IN CASO DI DUBBI, FAR CONTROLLARE LA PRESA DA UN ELETTRICISTA QUALIFICATO.

Utilizzare prolunghe appropriate. Assicurarsi che la prolunga sia in buone

condizioni e che sia una prolunga a 3 fili, dotata di una spina con messa a terra e di una presa che accetti la spina dell'utensile. Quando si utilizza una prolunga, assicurarsi di utilizzarne una abbastanza pesante da trasportare la corrente dell'utensile. Un cavo sottodimensionato causerà un calo della tensione di linea, con conseguente perdita di potenza e surriscaldamento.

INSTRUCTIONS FOR OPERATING THE DEVICE

●PREFAZIONE .

La Fox MS3816R è più facile da maneggiare rispetto alle tradizionali macchine perforatrici dotate di attacchi per mortasa. Il modello MS3816R è realizzato in ghisa e acciaio, rigido e stabile. La mortasa è dotata di una chiave standard a 3 ganasce mandrino per la presa positiva del tenone.

●DISIMBALLAGGIO E PULIZIA .

Disimballare con cura la macchina e tutti gli articoli sciolti dagli scatoloni di spedizione. Rimuovere la vernice protettiva da tutte le superfici non verniciate. Questa vernice può essere rimossa con un panno morbido inumidito con cherosene (non utilizzare acetone, benzina o diluente per lacca per questo scopo). Dopo la pulizia, coprire le superfici non verniciate con una cera per pavimenti di buona qualità .

AVVISO: LA FOTO DI COPERTINA DEL MANUALE ILLUSTRIL MODELLO DI PRODUZIONE ATTUALE. TUTTE LE ALTRE ILLUSTRAZIONI SONO SOLO RAPPRESENTATIVE E POTREBBERO NON RAPPRESENTARE IL COLORE, L'ETICHETTATURA O GLI ACCESSORI REALI E POTREBBERO ESSERE INTESE A ILLUSTRARE SOLO LA TECNICA.

AVVISO: lo schema di funzionamento è solo di riferimento e gli accessori effettivi del prodotto sono soggetti al prodotto effettivo; i metodi di funzionamento e utilizzo rimangono invariati.

● **PARTI DELLA MORTASATRICE A SCAPELLO CAVO . (Vedi Figura 1).**

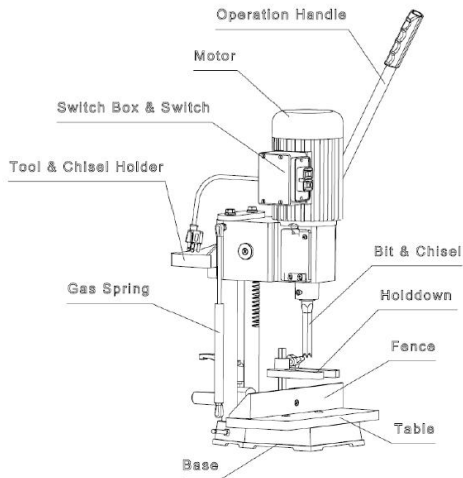


Fig. 1

ATTENZIONE: PER LA VOSTRA SICUREZZA, NON COLLEGARE LA MACCHINA ALLA FONTE DI ALIMENTAZIONE FINO A QUANDO LA MACCHINA NON È COMPLETAMENTE MONTATA E NON SI È LETTO E COMPRESO L'INTERO MANUALE DI ISTRUZIONI.

● Maniglia di sollevamento e molla a gas .

13. Montare il mozzo del gruppo maniglia (A) Fig. 2, all'estremità dell'albero del pignone (B) e fissare la maniglia all'albero del pignone utilizzando la vite speciale (C) e la molla (D).

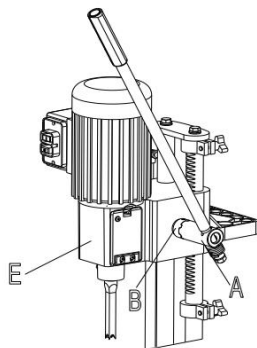
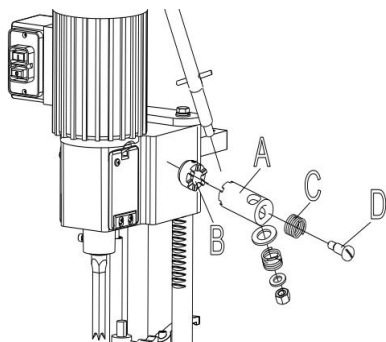


Figura 2 Figura 3

14. Sollevare la testa della macchina mortasatrice (E) Fig. 3, in posizione sollevata ruotando la maniglia

(A) in senso orario. NOTA: la maniglia (A) è caricata a molla e può essere riposizionata estraendola e riposizionandola sull'albero del pignone (B).

15. Assicurarsi che la testa (A) Fig.4, sia tenuta in posizione sollevata e montare la molla a gas

(B) ai due raccordi (C), uno posto sulla colonna e l'altro sul retro della testa.

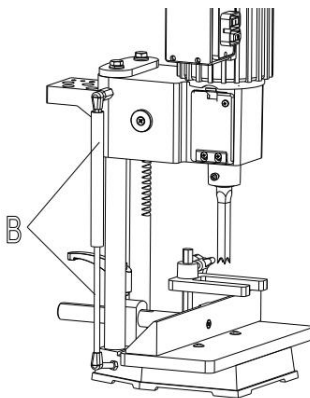
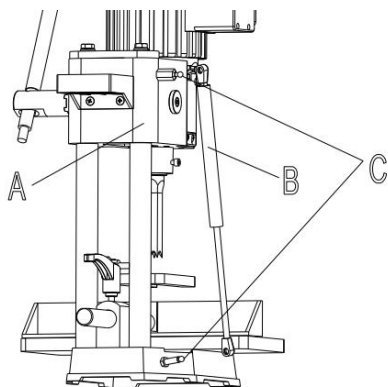


Figura 4 Figura 5

16. La Fig. 5 illustra la molla a gas (B) assemblata alla macchina. La molla a gas (B) mantiene la testa in posizione sollevata.

●Superficie di lavoro.

7.Montare il tavolo (A) Fig. 6, alla base utilizzando le due viti a testa piatta M6x1x35mm

viti (B) Inserire le due viti (B) nei due fori (D) del tavolo (A). Posizionare i due dadi a T (C) nelle fessure (E) fornite nella parte inferiore della base e serrare saldamente le due viti (B) nei due dadi a T (C).

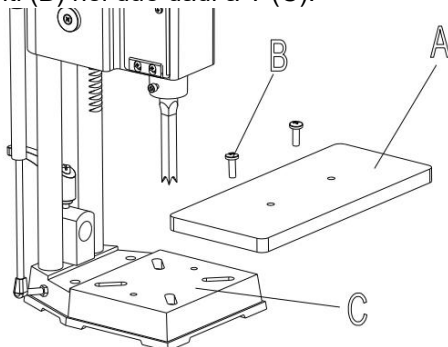


Figura 6

8.Il tavolo (A) Fig. 6, può essere spostato dentro o fuori allentando le due viti (B), e riposizionando il tavolo e quindi serrando le viti (B).

●RECINZIONE E FERMO.

13.Individuare il gruppo maniglia e rimuovere la vite (A) Fig.7 e la molla (B) dalla maniglia

(C). Maniglia separata (C) dal perno (D).

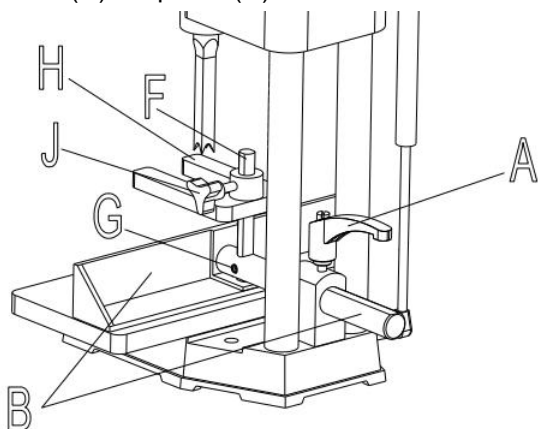


Figura 7

14. Inserire la barra del gruppo recinzione (E) Fig. 7, attraverso il foro nella colonna come mostrato.

Stringere la maniglia (C) contro la superficie piana della barra della recinzione per mantenere la recinzione in posizione. NOTA: la maniglia (C) è caricata a molla e può essere riposizionata sul perno situato sotto la maniglia estraendo la maniglia e riposizionandola sul perno.

15. Inserire la barra (F) Fig. 7, nel foro sulla parte superiore della recinzione come mostrato, e serrare il set

vite (G) contro la superficie piana della barra (F).

16. Montare la presa verso il basso (H) Fig. 7, sulla barra (F) come mostrato, e serrare

vite di regolazione (J) contro la parte piana della barra .

● PORTAUTENSILI E SCALPELLI .

7. Montare l'utensile e il porta scalpello (A) Fig.8, sul lato della colonna utilizzando i due

Viti M6x1x25mm (B) e Rondelle piatte M6 come mostrato.

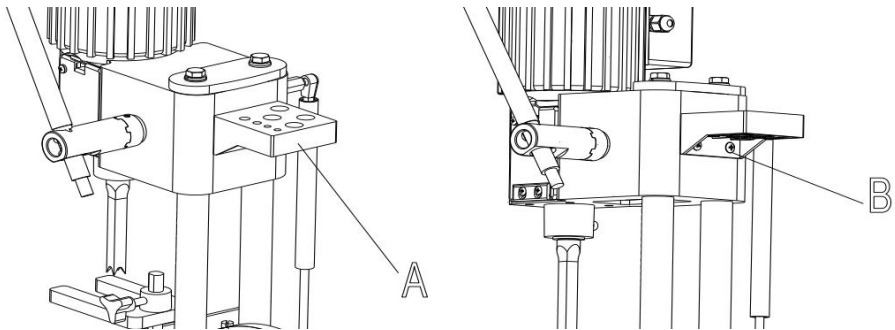


Figura 8

8. Illustra la chiave del mandrino, la chiave inglese e gli scalpelli e le punte nei fori dell'utensile e

porta scalpello (A) quando non in uso .

●SOLLEVAMENTO E ABBASSAMENTO DELLA TESTA .

La testa (A) Fig. 9, viene sollevata e abbassata tramite la leva (B). Per ottenere la massima leva durante l'operazione di mortasatura, la leva (B) può essere riposizionata estraendo il mozzo (C) del gruppo leva e riposizionando il mozzo sull'albero del pignone .

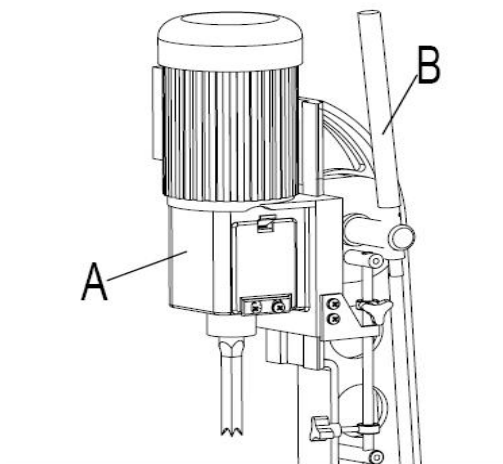


Figura 9

●RECINZIONE .

La recinzione (A) Fig10, può essere spostata dentro o fuori allentando la leva (B), facendo scorrere la recinzione nella posizione desiderata e stringendo la leva (B). NOTA: la leva (B) è caricata a molla e può essere riposizionata tirando la leva e riposizionandola sul dado dentato situato sotto la leva .

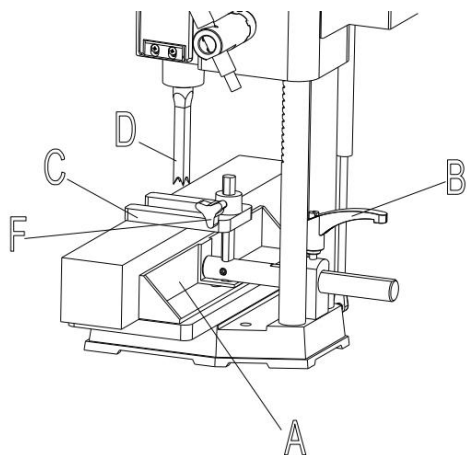


Figura 10

●ARRESTO DI PROFONDITÀ .

Una guida di arresto di profondità (A) Fig. 11, è fornita per limitare la profondità dello scalpello (B). Per regolare la guida di arresto di profondità (A), allentare la vite (C) e abbassare la testa finché lo scalpello (B) non è alla profondità desiderata. Abbassare la guida di arresto di profondità (A) finché non è alla profondità desiderata, serrare la vite (C).

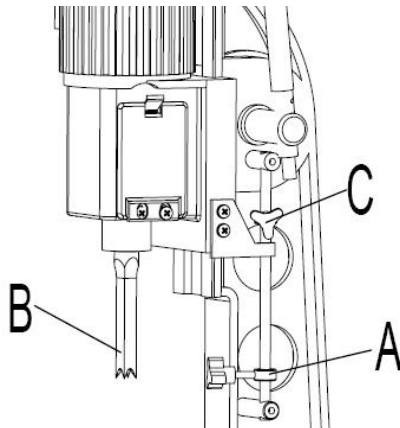


Figura 11

●INSTALLAZIONE DELLO SCALPELLO E DELLA PUNTA .

16. Allentare la vite di bloccaggio, mostrata nella Figura 12 .

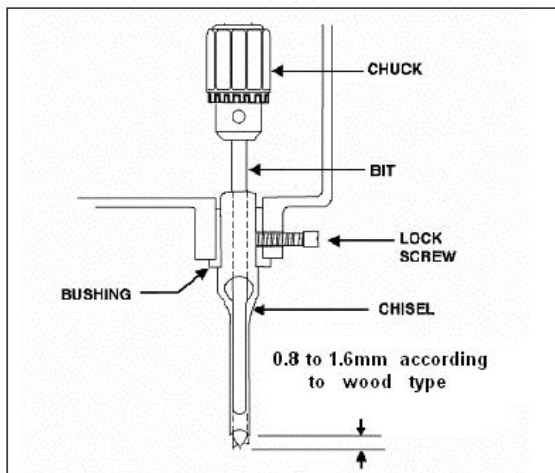


Figura 12

17. Inserire la boccia dello scalpello (con il foro rivolto in avanti) nella testa. Stringere la vite quanto basta per tenere lo scalpello in posizione.

NOTA: posizionare la fessura sul lato dello scalpello *a sinistra o a destra*, NON davanti o dietro. Ciò consentirà ai trucioli di fuoriuscire durante il taglio delle mortase .

18. Spingere lo scalpello il più possibile nella testa. Quindi abbassare lo scalpello di circa 0,8 mm - 1,6 mm, a seconda del tipo di legno che si sta lavorando. Serrare la vite per tenere lo scalpello in posizione.

19. Spingere la punta attraverso l'apertura dello scalpello il più possibile. Bloccare la punta del trapano in posizione con la chiave del mandrino.

20. Allentare la vite e spingere lo scalpello contro la boccia, quindi stringere la vite. Questo dovrebbe fornire la distanza corretta tra le punte dello scalpello e della punta.

MAINTENANCE

- La mortasatrice richiede solo una piccola manutenzione, come la pulizia e

lubrificazione, regolazione e affilatura di routine dello scalpello e della punta.

- Spolverare la macchina dopo ogni utilizzo e, se necessario, utilizzare una

luce

applicazioni di olio o grasso per lubrificare collegamenti, parti mobili, ecc.

SHARPENING CHISEL & BIT

Scalpelli e punte da trapano devono essere tenuti affilati per prestazioni ottimali. I bordi smussati daranno risultati imprecisi su tenone e mortasa, il che può portare a surriscaldamento e rottura dello scalpello o del morso. Se lo scalpello e la punta da trapano sono molto usurati e difficili da affilare, devono essere sostituiti.

- Affilare la punta utilizzando una lima piccola e liscia, seguendo la forma originale della punta. Limare il bordo interno dello sperone, i lati della punta del chiodo e il tagliente verso l'interno, verso la scanalatura della punta. Vedere Fig. 13. Non limare il bordo esterno dello sperone, poiché ciò influirà sul diametro della punta.

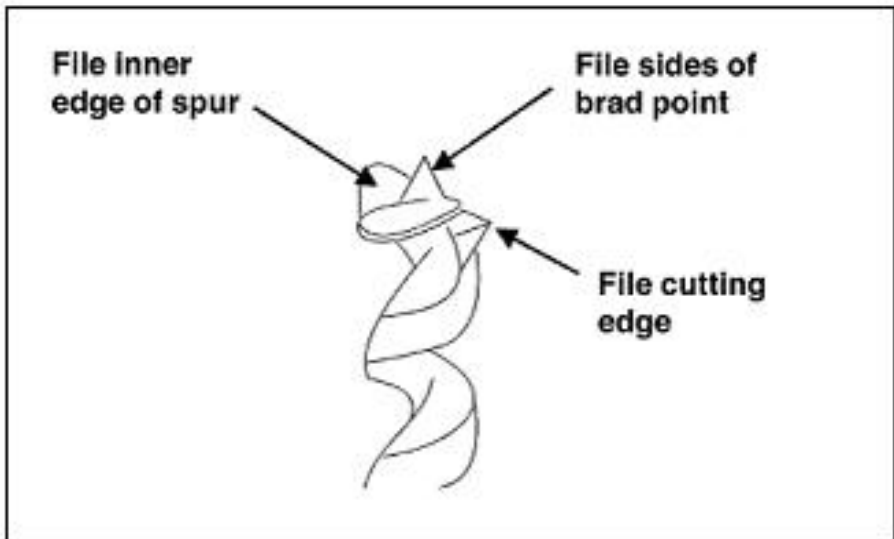


Figura 13

- Affilare lo scalpello con uno scalpello a mortasa e tenone della misura

corretta

guida. (La dimensione del pilota varia a seconda della dimensione dello scalpello). Due o tre giri della fresa nel mandrino della staffa del falegname sono sufficienti per affilare lo scalpello, come mostrato nella Figura 14 .

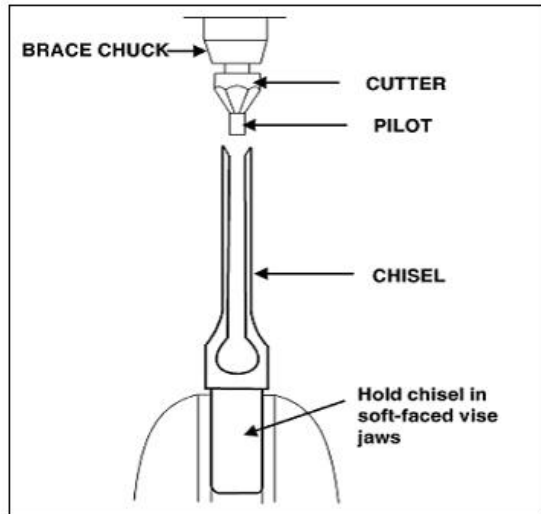


Figura 14

- Utilizzare una piccola lima triangolare e liscia per liberare gli angoli interni del scalpello. Vedere Fig. 15. Rimuovere eventuali sbavature dall'esterno dello scalpello con una pietra oleata fine.

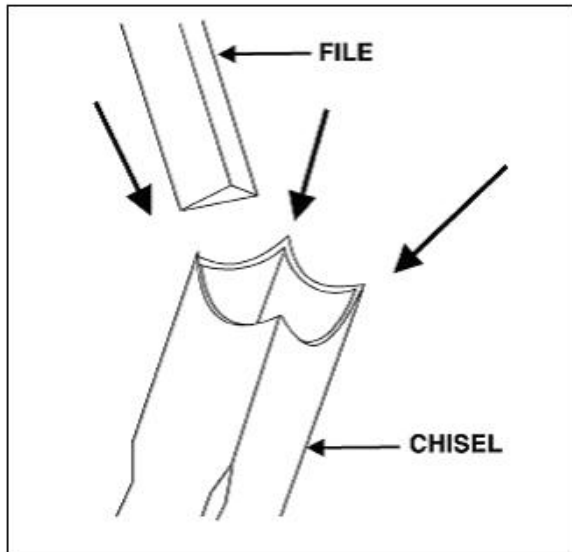
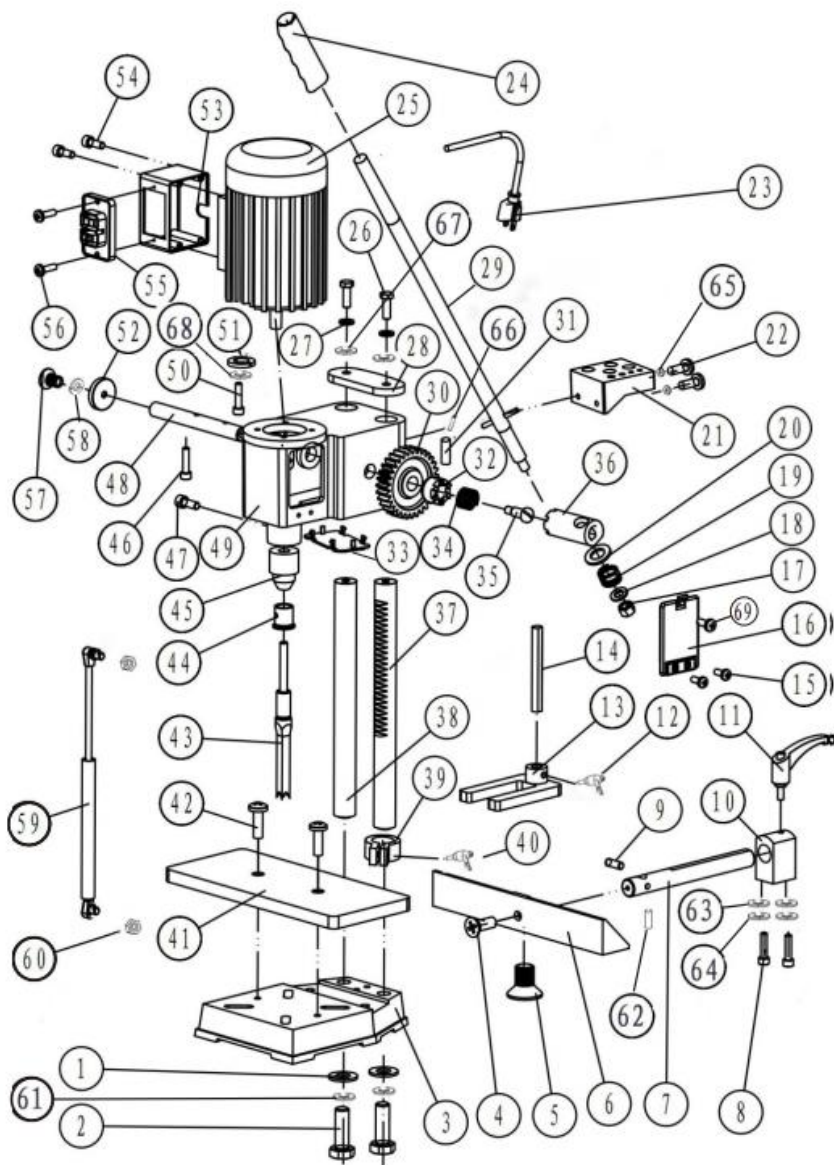


Figura 15

PARTS DRAWINGS AND PARTS LISTS

Diagramma delle parti



ELENCO DEI PEZZI

NO.	DESCRIZIONE	Qua	NO.	DESCRIZIONE	Qua
-----	-------------	-----	-----	-------------	-----

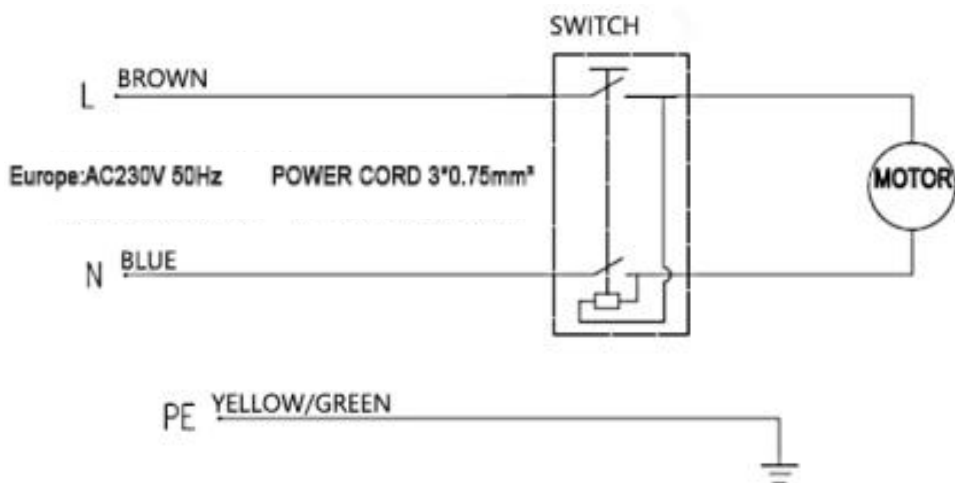
		ntità
1	RONDELLA DI SICUREZZA	2
2	BULLONE	2
3	BASE	1
4	VITE	1
5	VITE	1
6	RECINZIONE	1
7	COLONNA GUIDA	1
8	VITE	2
9	VITE	1
10	STAFFA GUIDA	1
11	MANIGLIA DI BLOCCAGGIO	1
12	MANIGLIA DI BLOCCAGGIO	1
13	MORSETTO DI FISSAGGIO	1
14	COLONNA GUIDA	1
15	VITE	4
16	COPERTINA	2
17	NOCE	1
18	RONDELLA DI SICUREZZA	1
19	PRIMAVERA	1
20	RONDELLA DI SICUREZZA	1
21	PORTAUTENSILI	1
22	VITE	2
23	CAVO DI ALIMENTAZIONE	1
24	GUANTI DA	1

		ntità
36	CURVA DI COLLEGAMENTO B	1
37	COLONNA INGRANAGGI	1
38	COLONNA GUIDA	1
39	GUIDA ALLA PROFONDITÀ	1
40	MANIGLIA DI BLOCCAGGIO	1
41	TAVOLO IN LEGNO	1
42	VITE	2
43	SCALPELLO	3
44	SCALPELLO PER BUSSOLA	1
45	MANDRINO	1
46	VITE	1
47	VITE	1
48	ALBERO DEL CAMBIO	1
49	SCATOLA INGRANAGGI	1
50	VITE	4
51	RONDELLA DI SICUREZZA	4
52	COPERTINA	1
53	SCATOLA DI INTERRUTTORE	1
54	VITE	4
55	INTERRUTTORE	1
56	VITE	2
57	VITE	1
58	RONDELLA	1
59	MOLLA A GAS	1

	MANIPOLAZIONE	
25	MOTORE	1
26	VITE	2
27	RONDELLA	2
28	PIASTRA GRADINO	1
29	MANIGLIA	1
30	INGRANAGGIO	1
31	SPILLO	1
32	CURVA DI COLLEGAMENTO A	1
33	COPERTINA	1
34	PRIMAVERA	1
35	VITE	1

60	NOCE	2
61	RONDELLA	2
62	SPILLO	1
63	RONDELLA DI SICUREZZA	2
64	RONDELLA	2
65	RONDELLA DI SICUREZZA	2
66	SPILLO	1
67	RONDELLA DI SICUREZZA	2
68	RONDELLA	4
69	VITE	2
70	SPILLO	1

WIRING DIAGRAM



ACCESSORIES LIST

Codice articolo: [FSJ36127A3F340001V2](#)

70.Istruzioni *1

71.Scalpello da 1/4 *1

72.3 / 8 scalpello *1

73.1 / 2 scalpello *1

74.Mandrini per trapano *1

75.Recinzioni in ghisa *1

76.Chiave a brugola *3

77.Asta di comando *1

78.Maniglia *1

79.Vite a testa esagonale M6*20 *1

80.asse verticale *1

81.Blocchi di pressatura *1

82.Leva *1

83.Sedile girevole + viti *1

84.Portautensili *1

85.Viti portautensili M6*16 + rondelle piatte *2

86.Chiavi per trapano *1

87.Occhiali *1

88.Albero di serraggio del trapano *1

89.Viti per tavola di legno M8*20 *2

90.Leve di finecorsa sinistra e destra *2

91.Manicotto di limitazione + chiave *2

92.Tavole da lavoro in legno *1

Codice articolo: [FSJMS36127A3F0001V2](#)

58.Istruzioni *1

59.Scalpello da 1/4 *1

60.3 / 8 scalpello *1

61.1 / 2 scalpello *1

62.Mandrini per trapano *1

63.Recinzioni in ghisa *1

64.Chiave a brugola *3

65.Banco da lavoro in legno *1

66.Albero della scheda di perforazione *1

67.Asta di comando *1

68.Chiave mandrino *1

69.Viti per banco da lavoro M8*26 viti *2

70.Manubrio regolabile *1

71.Blocchi di pressatura *1

72.asse verticale *1

73.Portautensili *1

74.Viti portautensili M6*16 + distanziali *2

75.Manicotto di collegamento dell'asta della maniglia *1

76.Vite a testa esagonale M6*20 *1

Codice articolo: [FSJ36127A3F120001V2](#)

61.Istruzioni *1

62.Scalpello da 1/4 *1

- 63.3 / 8 scalpello *1**
- 64.1 / 2 scalpello *1**
- 65.Mandrini per trapano *1**
- 66.Recinzioni in ghisa *1**
- 67.Chiave a brugola *3**
- 68.Banco da lavoro in legno *1**
- 69.Albero della scheda di perforazione *1**
- 70.Asta di comando *1**
- 71.Chiave mandrino *1**
- 72.Viti per banco da lavoro M8*26 viti *2**
- 73.Manubrio regolabile *1**
- 74.Blocchi di pressatura *1**
- 75.asse verticale *1**
- 76.Portautensili *1**
- 77.Viti portautensili M6*16 + distanziali *2**
- 78.Manicotto di collegamento dell'asta della maniglia *1**
- 79.Sedile girevole + viti *1**
- 80.Occhiali *1**



Please dispose of packaging for the product in a responsible manner. It is suitable for recycling. Help to protect the environment, take the packaging to the local amenity tip and place into the appropriate recycling bin.



Only for EU countries

Do not dispose of electric tools together with household waste material!

In observance of European Directive 2002/96/EC on waste electrical and electronic equipment and its implementation in accordance with national law, electric tools that have reached the end of their life must be collected separately and returned to an environmentally compatible recycling facility.

Indirizzo: Baoshanqu Shuangchenglu 803long 11hao 1602A-1609shi
Shanghai

Importato in AUS: SIHAO PTY LTD, 1 ROKEVA STREETEASTWOOD
NSW 2122 Australia

Importato negli USA: Sanven Technology Ltd., Suite 250, 9166 Anaheim
Place, Rancho Cucamonga, CA 91730



Pooledas Group Ltd
Unit 5 Albert Edward House, The Pavilions
Preston, United Kingdom



SHUNSHUN GmbH
Römeräcker 9 Z2021, 76351
Linkenheim-Hochstetten, Germany

Made in China

VEVOR[®]

TOUGH TOOLS, HALF PRICE

Tecnico Supporto e certificato di garanzia elettronica
www.vevor.com/support

VEVOR[®]

TOUGH TOOLS, HALF PRICE

Técnico Soporte y certificado de garantía electrónica www.vevor.com/support

MÁQUINA DE MORTAJA CON CINCEL HUECO

INSTRUCCIONES

MODELO: MS36127A3

Seguimos comprometidos a brindarle herramientas a precios competitivos. "Ahorra la mitad", "mitad de precio" o cualquier otra expresión similar utilizada únicamente por nosotros

Representa una estimación de los ahorros que podría obtener al comprar ciertas herramientas.

con nosotros en comparación con las principales marcas líderes y no significa necesariamente cubrir

Todas las categorías de herramientas que ofrecemos. Le recordamos que debe verificar con cuidado

Cuando realiza un pedido con nosotros, si realmente está Ahorro Medio en comparación con las principales marcas líderes.

VEVOR®

TOUGH TOOLS, HALF PRICE

HOLLOW CHISEL MORTISE
MACHINE

MODELO: MS36127A3






¿NECESITAS AYUDA? ¡CONTÁCTANOS!

¿Tiene preguntas sobre el producto? ¿Necesita asistencia técnica? No dude en ponerse en contacto con nosotros:

Soporte técnico y certificado de garantía electrónica

www.vevor.com/support

Estas son las instrucciones originales, lea atentamente todas las instrucciones del manual antes de utilizar el producto. VEVOR se reserva una interpretación clara de nuestro manual de usuario. La apariencia del producto estará sujeta al producto que recibió. Perdónenos por no informarle nuevamente si hay actualizaciones de tecnología o software en nuestro producto.

	<p>Advertencia: Para reducir el riesgo de lesiones, el usuario debe leer atentamente el manual de instrucciones.</p>
	<p>Este dispositivo cumple con la Parte 15 de las Normas de la FCC. Su funcionamiento está sujeto a las dos condiciones siguientes: (1) Este dispositivo no puede causar interferencias perjudiciales y (2) Este dispositivo debe aceptar cualquier interferencia que reciba, incluidas las interferencias que puedan causar un funcionamiento no deseado.</p>
	<p>Este producto está sujeto a las disposiciones de la Directiva Europea 2012/19/CE. El símbolo que muestra un contenedor de basura tachado indica que el producto requiere una recogida selectiva de residuos en la Unión Europea. Esto se aplica al producto y a todos los accesorios marcados con este símbolo. Los productos marcados como tales no pueden desecharse con los residuos domésticos normales, sino que deben llevarse a un punto de recogida para reciclar dispositivos eléctricos y electrónicos.</p>

GENERAL SAFETY RULES

- La carpintería puede ser peligrosa si se opera de manera segura y adecuada.

No se siguen los procedimientos adecuados. Como ocurre con todas las máquinas, existen ciertos peligros asociados con el funcionamiento del producto. El uso de la máquina con respeto y precaución reducirá considerablemente la posibilidad de lesiones personales. Sin embargo, si se pasan por alto o se ignoran las precauciones de seguridad normales, el operador puede sufrir lesiones personales. El equipo de seguridad, como protectores, varillas de empuje, sujeciones, Las tablas de protección, las gafas protectoras, las máscaras antipolvo y la protección auditiva pueden reducir la posibilidad de sufrir lesiones, pero ni siquiera la mejor protección compensará la falta de criterio, el descuido o la falta de atención. Utilice siempre el sentido común y tenga cuidado en el taller. Si un procedimiento le parece peligroso, no lo intente. Busque un procedimiento alternativo que le parezca más seguro. **RECUERDE:** Su seguridad personal es su responsabilidad.

- Esta máquina fue diseñada solo para ciertas aplicaciones. Recomendamos encarecidamente que esta máquina no se modifique ni se utilice para ninguna aplicación distinta a la que fue diseñada. Si tiene alguna pregunta relacionada con una aplicación en particular, **NO** utilice la máquina hasta que se haya comunicado primero con su distribuidor local para determinar si puede o debe realizarse en el lugar. producto.

- **ADVERTENCIA:** EL INCUMPLIMIENTO DE ESTAS REGLAS PUEDE RESULTARÁ EN LESIONES PERSONALES GRAVES .

101.PARA SU PROPIA SEGURIDAD, LEA EL MANUAL DE INSTRUCCIONES ANTES DE UTILIZAR LA HERRAMIENTA. Conozca la aplicación y las limitaciones de la herramienta, así como los peligros específicos que conlleva .

102. **MANTENGA LOS PROTECTORES EN SU LUGAR** y en condiciones de funcionamiento .
103. **USE SIEMPRE PROTECCIÓN PARA LOS OJOS** . Use anteojos de seguridad. Los anteojos de uso diario solo tienen lentes resistentes a impactos; no son anteojos de seguridad. Use también una máscara facial o antipolvo si la operación de corte genera polvo.
104. **RETIRE LAS LLAVES DE AJUSTE Y LAS LLAVES INDIVIDUALES** . Adquiera el hábito de verificar que las llaves y las llaves de ajuste se hayan retirado de la herramienta antes de encenderla.
105. **MANTENGA LIMPIA EL ÁREA DE TRABAJO** . Las áreas y bancos desordenados invitan a los accidentes .
106. **NO UTILICE EN ENTORNOS PELIGROSOS**. No utilice herramientas eléctricas en lugares húmedos o mojados, ni las exponga a la lluvia. Mantenga el área de trabajo bien iluminada.
107. **MANTENGA A LOS NIÑOS Y VISITANTES ALEJADOS** . Todos los niños y visitantes deben mantenerse a una distancia segura del área de trabajo.
108. **HAGA QUE EL TALLER SEA A PRUEBA DE NIÑOS** : con candados, interruptores maestros o quitando las llaves de arranque .
109. **NO FUERCE LA HERRAMIENTA** . Hará mejor el trabajo y será más seguro a la velocidad para la que fue diseñada .
110. **UTILICE LA HERRAMIENTA ADECUADA** . No fuerce la herramienta ni el accesorio para realizar un trabajo para el cual no fue diseñado .
111. **USE VESTIMENTA ADECUADA** . No use ropa suelta, guantes, corbatas, anillos, pulseras ni otras joyas que puedan quedar atrapadas en las piezas móviles. Se recomienda calzado antideslizante. Use una cubierta protectora para el cabello para contener el cabello largo.
112. **TRABAJO SEGURO** . Utilice abrazaderas o un tornillo de banco para sujetar la pieza de trabajo cuando sea posible. Es más seguro que usar la mano y también deja ambas manos libres para trabajar .
113. **NO SE EXTENDA EXCESIVAMENTE** . Mantenga una posición adecuada y el equilibrio en todo momento .
114. **MANTENGA LAS HERRAMIENTAS EN PERFECTAS CONDICIONES** . Mantenga las herramientas afiladas y limpias para un rendimiento óptimo y más seguro. Siga las instrucciones para lubricar y cambiar los accesorios .

- 115.**DESCONECTE LAS HERRAMIENTAS** antes de realizar tareas de mantenimiento y al cambiar accesorios como cuchillas, brocas, cortadores. etc .
- 116.**UTILICE ACCESORIOS RECOMENDADOS** . El uso de accesorios y aditamentos no recomendados por el fabricante puede ocasionar peligros o riesgos de lesiones a las personas .
- 117.**REDUZCA EL RIESGO DE ARRANQUE ACCIDENTAL** . Asegúrese de que el interruptor esté en la posición “OFF” (APAGADO) antes de enchufar el cable de alimentación. En caso de un corte de energía, mueva el interruptor a la posición “OFF” (APAGADO) .
- 118.**NUNCA SE PARE SOBRE LA HERRAMIENTA** . Podrían producirse lesiones graves si la herramienta se vuelca o si se toca accidentalmente la herramienta de corte .
- 119.**REVISE LAS PIEZAS DAÑADAS** . Antes de seguir utilizando la herramienta, se debe revisar cuidadosamente la protección u otra pieza que esté dañada para asegurarse de que funcionará correctamente y realizará su función prevista: verifique la alineación de las piezas móviles, el atascamiento de las piezas móviles, la rotura de piezas, el montaje y cualquier otra condición que pueda afectar su funcionamiento. Una protección u otra pieza que esté dañada se debe reparar o reemplazar adecuadamente .
- 120.**DIRECCIÓN DE ALIMENTACIÓN** . Alimente la pieza de trabajo hacia una cuchilla o cortadora en sentido contrario a la rotación de la cuchilla o cortadora únicamente .
- 121.**NUNCA DEJE LA HERRAMIENTA EN FUNCIONAMIENTO SIN SUPERVISIÓN. APAGUE LA ENERGÍA** . No abandone la herramienta hasta que se detenga por completo .
- 122.**MANTÉNGASE ALERTA, PRESTE ATENCIÓN A LO QUE HACE Y USE EL SENTIDO COMÚN AL UTILIZAR UNA HERRAMIENTA ELÉCTRICA. NO UTILICE LA HERRAMIENTA SI ESTÁ CANSADO O BAJO LOS EFECTOS DE DROGAS, ALCOHOL O MEDICAMENTOS.** Un momento de distracción mientras utiliza herramientas eléctricas puede provocar lesiones personales graves.
- 123.**ASEGÚRESE DE QUE LA HERRAMIENTA ESTÉ DESCONECTADA DE LA FUENTE DE ALIMENTACIÓN** mientras se monta, conecta o reconecta el motor .
- 124.**El polvo generado** por ciertas maderas y productos derivados de la madera

puede ser perjudicial para la salud. Siempre utilice la maquinaria en áreas bien ventiladas y elimine el polvo de manera adecuada. Utilice sistemas de recolección de polvo de madera siempre que sea posible .

125. ADVERTENCIA: ALGUNOS DE LOS POLVO QUE SE GENERAN AL LIJAR, SERRAR, RECTIFICAR, PERFORAR Y OTRAS ACTIVIDADES DE CONSTRUCCIÓN CONTIENEN PRODUCTOS QUÍMICOS QUE SE CONOCE POR PROVOCAR CÁNCER, DAÑOS CONGÉNITOS U OTROS DAÑOS REPRODUCTIVOS. Algunos ejemplos de estos productos químicos son :

Plomo de pinturas a base de plomo .

sílice cristalina de ladrillos, cemento y otros productos de mampostería.

arsénico y cromo de madera tratada químicamente .

El riesgo que corre a causa de estas exposiciones varía según la frecuencia con la que realice este tipo de trabajo. Para reducir su exposición a estos productos químicos: trabaje en un área bien ventilada y con equipo de seguridad aprobado, como máscaras antipolvo especialmente diseñadas para filtrar partículas microscópicas .

ADDITIONAL SAFETY RULES FOR HOLLOW CHISEL MORTISERS

85. NO UTILICE ESTA MÁQUINA hasta que esté **Montado** e **instalado** según las instrucciones .

86. OBTenga EL ASESORAMIENTO DE SU SUPERVISOR, instructor u otra persona calificada si no está familiarizado con el funcionamiento de esta máquina .

87. SIGA TODOS LOS CÓDIGOS DE CABLEADO y recomendados Conexiones eléctricas .

88. Asegúrese de que la máquina esté fijada a un soporte. superficie para evitar que se vuelque durante el funcionamiento .

89. NUNCA encienda la mortajadora Antes de limpiar el tabla de todos los

- objetos (herramientas, piezas de chatarra, etc.) .
90. **SIEMPRE** las manos, los dedos y el cabello alejados La broca giratoria .
91. **NO** intente hacer mortajas en material que no tener una superficie plana, a menos que se utilice un soporte adecuado .
92. **SIEMPRE** coloque el sujetador directamente sobre la pieza de trabajo para evitar que la pieza de trabajo se levante durante el funcionamiento .
93. **SIEMPRE** apoye la pieza de trabajo de forma segura contra la guía para evitar la rotación .
94. **Asegúrese de que** la broca esté afilada, no esté dañada y esté colocada correctamente. asegurado en el mandril antes de la operación .
95. **ASEGÚRESE de** que la llave del portabrocas se haya quitado antes de comenzar máquina .
96. **NUNCA** encienda la corriente con la broca o el cincel. entrando en contacto con la pieza de trabajo .
97. **NUNCA** realice trabajos de diseño, montaje o configuración en la mesa mientras la mortajadora está en funcionamiento .
98. **AJUSTE** el tope de profundidad para evitar perforar el mesa .
99. **SIEMPRE** apague la energía antes de retirar la chatarra. piezas de la mesa .
100. **APAGUE** la energía, retire la broca y el cincel, y limpie la mesa antes de dejar la máquina .
- 101. PARA SU PROPIA SEGURIDAD - No use guantes cuando operando la máquina**
102. **¿DEBE** faltar alguna pieza de su herramienta, estar dañada o fallar de alguna manera, o cualquier componente eléctrico dejar de funcionar Correctamente, apague el interruptor y desconecte el enchufe de la fuente de alimentación. Toma de corriente. Reemplace las piezas faltantes, dañadas o defectuosas. antes de reanudar la operación .
103. **EL USO** de accesorios y complementos no recomendado por Delta puede resultar en riesgo de lesiones .
104. **APAGUE LA MÁQUINA Y DESCONECTE LA MÁQUINA** de la fuente de alimentación antes de instalarla o quitar accesorios, antes de ajustar o cambiar configuraciones o al realizar reparaciones .
105. **APAGUE LA MÁQUINA** , **desconecte** el máquina de la fuente de

alimentación y limpie el mesa/área de trabajo antes de abandonar la máquina.

BLOQUEE LA INTERRUPTOR EN LA POSICIÓN “ OFF ” para evitar uso no autorizado

ADVERTENCIA: NO SEGUIR ESTAS REGLAS PUEDE RESULTAR EN LESIONES PERSONALES GRAVES .

GUARDE ESTAS INSTRUCCIONES.

**Consúltelos a menudo
y utilizarlos para instruir a otros.**

CONNECTING TOOL TO POWER SOURCE

● CONEXIONES DE ENERGÍA .

Se debe utilizar un circuito eléctrico independiente para las herramientas. Si se utiliza un cable de extensión, utilice únicamente cables de extensión de 3 hilos, que tengan enchufes y receptáculos con conexión a tierra, que acepten el enchufe de la herramienta. Antes de conectar el motor a la línea eléctrica, asegúrese de que el interruptor esté en la posición “ OFF ” (apagado) y de que la corriente eléctrica tenga las mismas características que las indicadas en la herramienta.

Todas las conexiones de la línea deben hacer buen contacto. El funcionamiento con bajo voltaje dañará el motor .

ADVERTENCIA: NO EXPONGA LA HERRAMIENTA A LA LLUVIA NI LA UTILICE EN LUGARES HÚMEDOS.

● ESPECIFICACIONES DEL MOTOR

Su herramienta está cableada para : Corriente alterna de 230 V 50 Hz en Europa o de 120 V 60 Hz en América del Norte . Antes de conectar la herramienta a la fuente de alimentación, asegúrese de La máquina está desconectada de la fuente de energía .

●INSTRUCCIONES DE PUESTA A TIERRA

ADVERTENCIA: ESTA HERRAMIENTA DEBE ESTAR CONECTADA A TIERRA DURANTE SU USO PARA PROTEGER AL OPERADOR DE DESCARGA ELÉCTRICA .

Todas las herramientas conectadas mediante cable y con conexión a tierra:

25. En caso de mal funcionamiento o avería, la conexión a tierra proporciona un camino

de menor resistencia para la corriente eléctrica, a fin de reducir el riesgo de descarga eléctrica. Esta herramienta está equipada con un cable eléctrico que tiene un conductor de conexión a tierra del equipo y un enchufe de conexión a tierra. El enchufe debe enchufarse a una toma de corriente adecuada que esté correctamente instalada y conectada a tierra de acuerdo con todos los códigos y ordenanzas locales.

26. No modifique el enchufe provisto: si no encaja en el tomacorriente, solicite a un electricista calificado que instale el tomacorriente adecuado.

27. La conexión incorrecta del conductor de puesta a tierra del equipo puede provocar riesgo de descarga eléctrica. El conductor con El aislamiento que tiene una superficie exterior verde con o sin rayas amarillas es el conductor de puesta a tierra del equipo. Si es necesario reparar o reemplazar el cable eléctrico o el enchufe, no conecte el conductor de conexión a tierra del equipo. a una terminal en vivo .

28. Consulte con un electricista calificado o con personal de servicio si no comprende completamente las instrucciones de conexión a tierra o si en duda si la herramienta está correctamente conectada a tierra .

29. Utilice únicamente cables de extensión de 3 cables que tengan enchufes con conexión a tierra y receptáculos que acepten el enchufe de la herramienta .

30. Repare o reemplace inmediatamente el cable dañado o desgastado .

ADVERTENCIA: EN TODOS LOS CASOS, ASEGÚRESE DE QUE EL TOMACORRIENTE EN CUESTIÓN ESTÉ CORRECTAMENTE CONECTADO A TIERRA. SI NO ESTÁ SEGURO, HAGA QUE UN ELECTRICISTA CALIFICADO REVISE EL TOMACORRIENTE.

Utilice cables de extensión adecuados. Asegúrese de que su cable de extensión esté en buenas condiciones y sea un cable de extensión de 3 hilos, que tenga un enchufe con conexión a tierra y un receptáculo que acepte el enchufe de la herramienta. Cuando utilice un cable de extensión, asegúrese de utilizar uno lo suficientemente grueso como para transportar la corriente de la herramienta. Un cable de tamaño insuficiente provocará una caída de voltaje de la línea, lo que provocará pérdida de potencia y sobrecalentamiento.

INSTRUCTIONS FOR OPERATING THE DEVICE

●PRÓLOGO .

La Fox MS3816R es más fácil de manejar que las taladradoras tradicionales equipadas con accesorios de mortaja. El modelo MS3816R está fabricado en hierro fundido y acero, que es rígido y estable. La mortaja está equipada con una llave estándar de 3 mordazas. mandril para agarre positivo de la espiga.

●DESEMBALAJE Y LIMPIEZA .

Desembale con cuidado la máquina y todos los elementos sueltos de las cajas de envío. Retire la capa protectora de todas las superficies sin pintar. Esta capa se puede quitar con un paño suave humedecido con queroseno (no utilice acetona, gasolina ni disolvente de laca para este fin). Después de limpiar, cubra las superficies sin pintar con una cera para pisos de uso doméstico de buena calidad .

AVISO: LA FOTO DE LA PORTADA DEL MANUAL ILUSTRRA EL MODELO DE PRODUCCIÓN ACTUAL. TODAS LAS DEMÁS ILUSTRACIONES SON SOLO

REPRESENTATIVAS Y PUEDEN NO REPRESENTAR EL COLOR, EL ETIQUETADO O LOS ACCESORIOS REALES, Y PUEDEN TENER LA INTENCIÓN DE ILUSTRAR SOLO LA TÉCNICA.

AVISO: El diagrama de funcionamiento es solo para referencia, y los accesorios reales del producto están sujetos al producto real, y los métodos de funcionamiento y uso permanecen sin cambios.

● **PIEZAS DE MORTIGUADORA DE CINCEL HUECO (Ver Figura 1).**

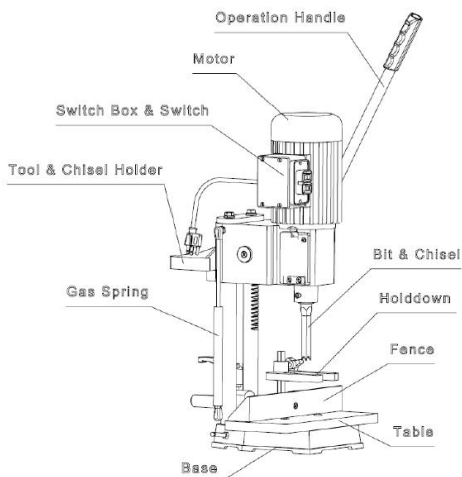


Fig. 1

ADVERTENCIA: PARA SU PROPIA SEGURIDAD, NO CONECTE LA MÁQUINA A LA FUENTE DE ALIMENTACIÓN HASTA QUE LA MÁQUINA ESTÉ COMPLETAMENTE ENSAMBLADA Y HAYA LEÍDO Y ENTENDIDO TODO EL MANUAL DE INSTRUCCIONES.

● Asa de elevación y resorte de gas .

17. Ensamble el cubo del conjunto de manija (A) Fig. 2, al extremo del eje del piñón (B) y fije la manija al eje del piñón usando un tornillo especial (C) y un resorte (D).

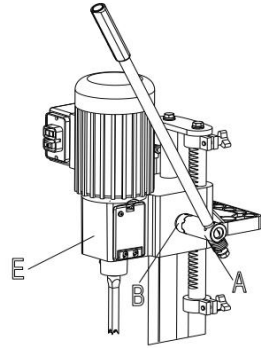
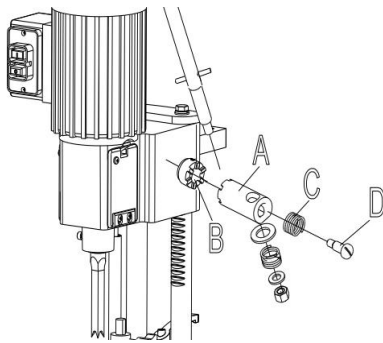


Figura 2 Figura 3

18. Levante el cabezal de la mortajadora (E) Fig. 3, a la posición superior girando la manija

(A) en el sentido de las agujas del reloj. NOTA: La manija (A) está accionada por resorte y se puede reposicionar tirando de la manija y posicionándola nuevamente en el eje del piñón (B).

19. Asegúrese de que el cabezal (A) Fig.4, esté mantenido en la posición hacia arriba y ensamble el resorte de gas

(B) a los dos accesorios (C), uno ubicado en la columna y el otro en la parte posterior del cabezal.

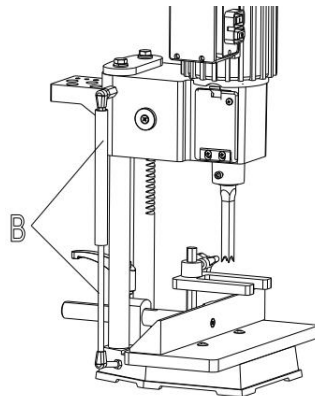
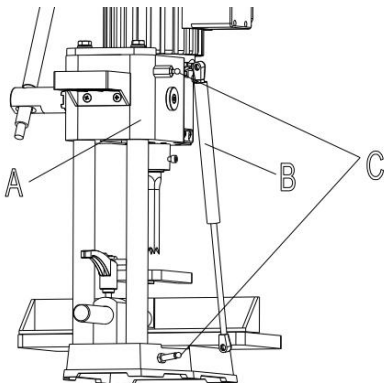


Figura 4 Figura 5

20. La figura 5 muestra el resorte de gas (B) ensamblado a la máquina. El resorte de gas

(B) mantiene la cabeza en posición vertical.

●Superficie de trabajo.

9.Ensamble la mesa (A) Fig. 6, a la base utilizando los dos tornillos de cabeza plana M6x1x35mm.

Tornillos (B) Inserte los dos tornillos (B) en los dos orificios (D) de la mesa (A). Coloque las dos tuercas en T (C) en las ranuras (E) provistas en la parte inferior de la base y ajuste los dos tornillos (B) en las dos tuercas en T (C) de manera segura.

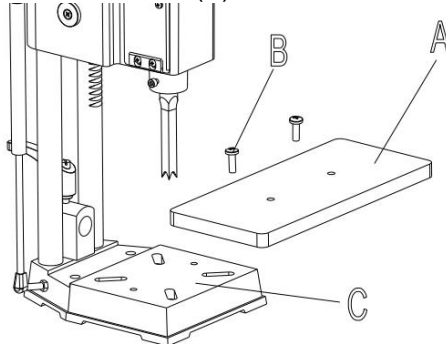


Figura 6

10.La mesa (A) Fig. 6, se puede mover hacia adentro o hacia afuera aflojando los dos tornillos (B), y reposicionando la mesa y luego apretando los tornillos (B).

●VALLA Y SUJECIÓN.

17.Ubique el conjunto del mango y retire el tornillo (A) Fig.7 y el resorte (B) del mango.

(C). Separe el mango (C) del perno (D).

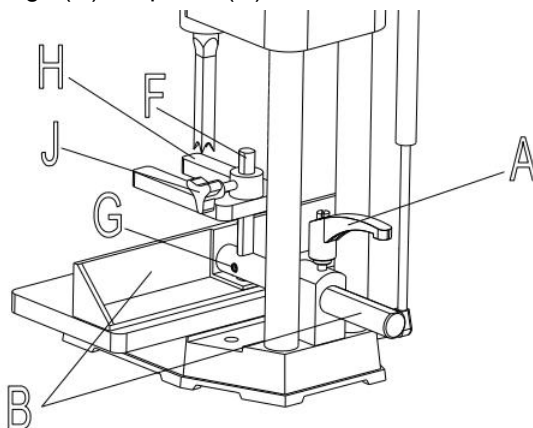


Figura 7

18. Inserte la barra del conjunto de la cerca (E) Fig. 7, a través del orificio en la columna como se muestra.

Ajuste la manija (C) contra la parte plana de la barra de la cerca para mantener la cerca en su posición. NOTA: La manija (C) tiene resorte y se puede reposicionar en el perno ubicado debajo de la manija tirando de la manija y reposicionándola en el perno.

19. Inserte la barra (F), Fig. 7, en el orificio en la parte superior de la guía como se muestra, y ajuste.

atornillar (G) contra la superficie plana de la barra (F).

20. Montar la bodega hacia abajo (H) Fig. 7, sobre la barra (F) como se muestra, y apriete

Coloque el tornillo de fijación (J) contra la parte plana de la barra .

● PORTAHERRAMIENTAS Y CINCEL .

9. Ensamble la herramienta y el soporte del cincel (A) Fig8, al costado de la columna usando los dos

Tornillos M6x1x25mm (B) y Arandelas planas M6 como se muestra.

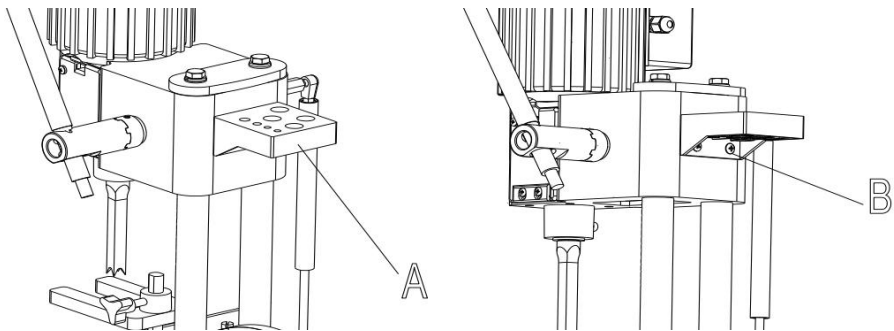


Figura 8

10. Ilustra la llave de mandril, la llave inglesa y los cinces y las brocas en los orificios de la herramienta y

Porta cinceles (A) cuando no esté en uso .

●ELEVACIÓN Y BAJADA DE LA CABEZA .

El cabezal (A) Fig. 9, se eleva y se baja mediante la palanca (B). Para obtener el máximo apalancamiento durante la operación de mortaja, la palanca (B) se puede reposicionar extrayendo el cubo (C) del conjunto de la palanca y volviendo a colocar el cubo en el eje del piñón .

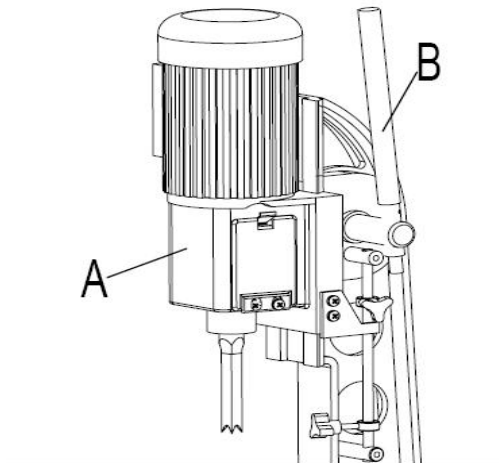


Figura 9

●CERCA .

La valla (A) Fig10, se puede mover hacia adentro o hacia afuera aflojando la palanca (B), deslizando la valla a la posición deseada y apretar la palanca (B).
NOTA: La palanca (B) está accionada por resorte y se puede reposicionar tirando de ella y volviéndola a colocar en la tuerca dentada ubicada debajo de la palanca .

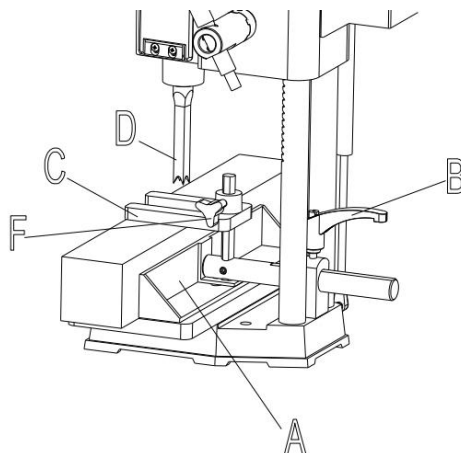


Figura 10

● **TOPE DE PROFUNDIDAD .**

Se proporciona una guía de tope de profundidad (A) Fig. 11, para limitar la profundidad del cincel (B). Para ajustar la guía de tope de profundidad (A), afloje el tornillo (C) y baje la cabeza hasta que el cincel (B) esté a la profundidad deseada. Baje la guía de tope de profundidad (A) hasta que esté a la profundidad deseada, apriete el tornillo (C).

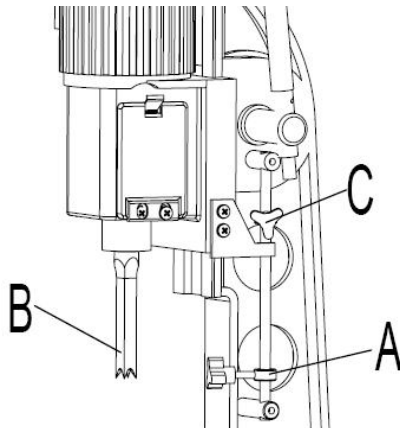


Figura 11

● **INSTALACIÓN DE CINCEL Y BROCA .**

21. Afloje el tornillo de bloqueo, como se muestra en la Figura 12 .

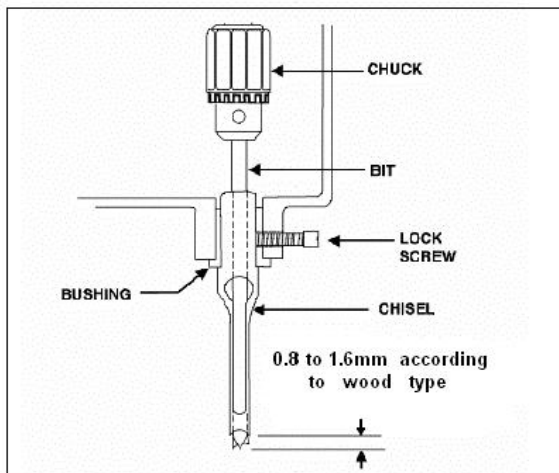


Figura 12

22. Inserte el casquillo del cincel (con el orificio hacia adelante) en la cabeza. Apriete el tornillo lo suficiente para mantener el cincel en su lugar.

NOTA: Coloque la ranura en el costado del cincel *hacia la izquierda o la derecha*, NO hacia adelante o hacia atrás. Esto permitirá que las virutas escapen al cortar mortajas .

23. Empuje el cincel hacia arriba lo más que pueda dentro de la cabeza. Luego bájelo aproximadamente entre 0,8 mm y 1,6 mm, según el tipo de madera que esté trabajando. Apriete el tornillo para mantener el cincel en su lugar.

24. Empuje la broca hacia arriba a través de la abertura del cincel hasta el tope. Fije la broca en su lugar con la llave del portabrocas.

25. Afloje el tornillo y empuje el cincel contra el buje, luego apriete el tornillo. Esto debería proporcionar la distancia adecuada entre las puntas del cincel y la broca.

MAINTENANCE

- La mortajadora solo requiere un mantenimiento menor, como limpieza y Lubricación y ajuste rutinario y afilado del cincel y la broca.
- Limpie el polvo de la máquina después de cada uso y, según sea

necesario, utilice un limpiador suave.

aplicaciones de aceite o grasa para lubricar acoplamientos, piezas móviles, etc.

SHARPENING CHISEL & BIT

Los cinceles y las brocas deben mantenerse afilados para un rendimiento óptimo. Los bordes desafilados darán resultados inexactos en la mortaja y la espiga, lo que puede provocar un sobrecalentamiento y la rotura del cincel o la broca. Si el cincel y la broca están muy desgastados y son difíciles de afilar, deben reemplazarse.

- Afíle la broca utilizando una lima pequeña y suave, siguiendo la forma original.

de la broca. Lime el borde interior de la espuela, los lados de la punta de la tachuela y el borde de corte hacia adentro, en dirección a la estría de la broca. Vea la figura 13. No lime el borde exterior de la espuela, ya que esto afectará el diámetro de la broca.

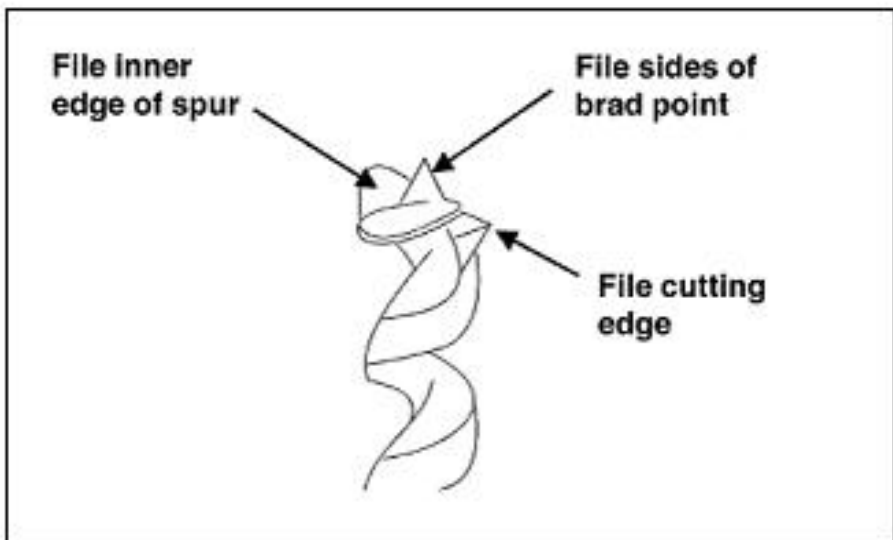


Figura 13

- Afíle el cincel con un cincel de mortaja y espiga del tamaño correcto.
Guía. (El tamaño del piloto variará según el tamaño del cincel). Dos o tres vueltas de la fresa en el portabrocas del carpintero son suficientes para afilar el cincel, como se muestra en la Figura 14 .

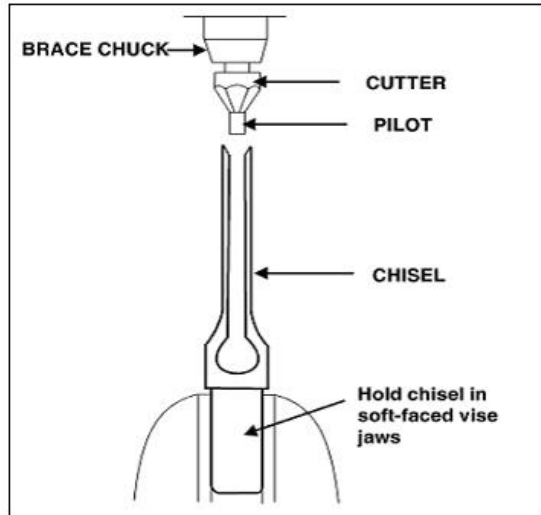


Figura 14

- Utilice una lima pequeña, triangular y suave para aliviar las esquinas internas de la cincel. Ver Figura 15. Quite las rebabas del exterior del cincel con una piedra de afilar fina.

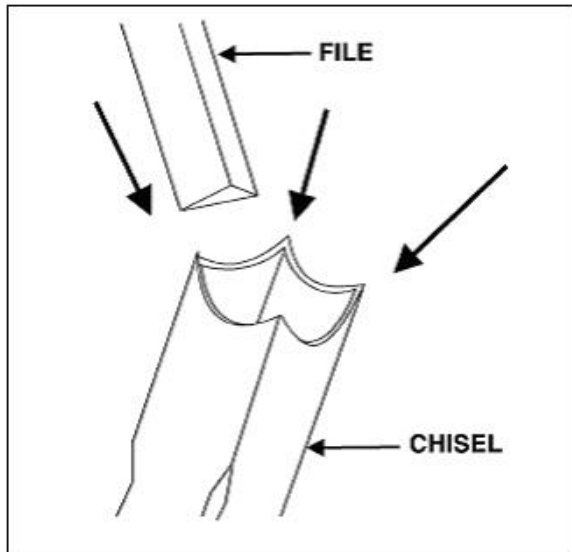
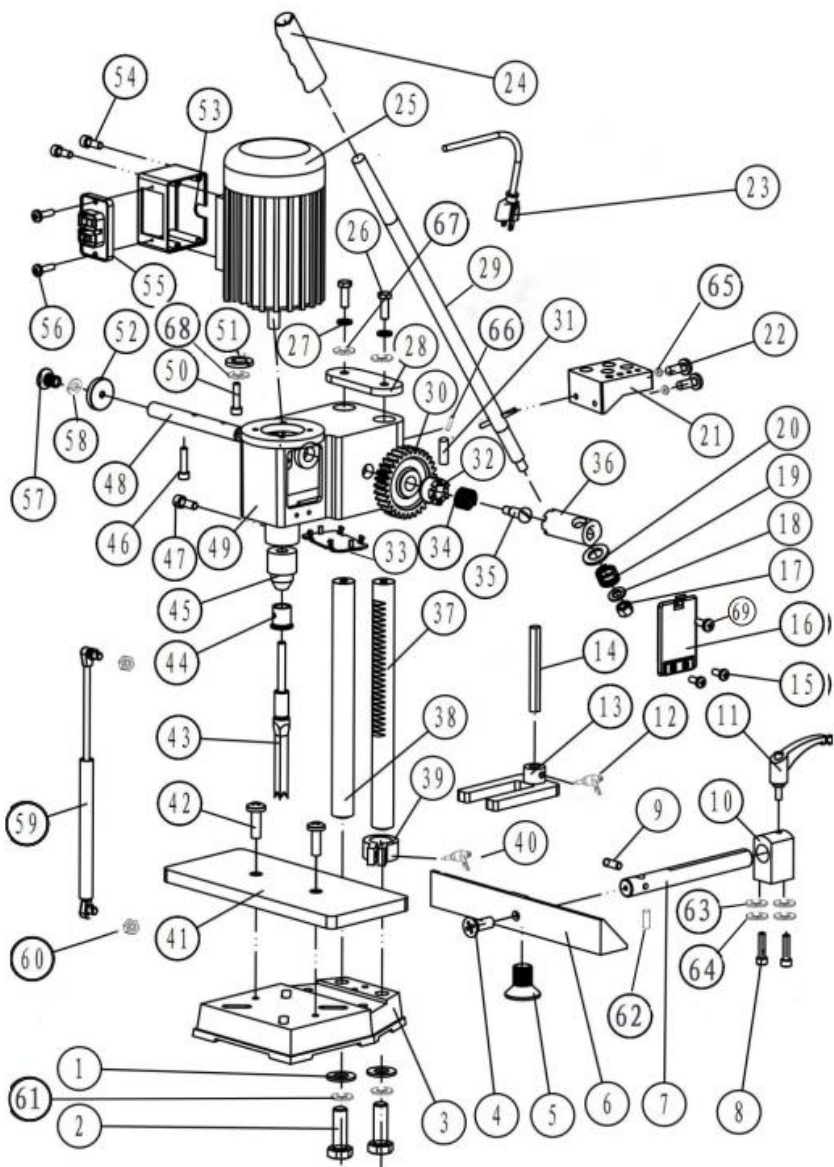


Figura 15

PARTS DRAWINGS AND PARTS LISTS

Diagrama de piezas



LISTA DE PIEZAS

NO.	DESCRIPCIÓN	CAN	NO.	DESCRIPCIÓN	CAN
-----	-------------	-----	-----	-------------	-----

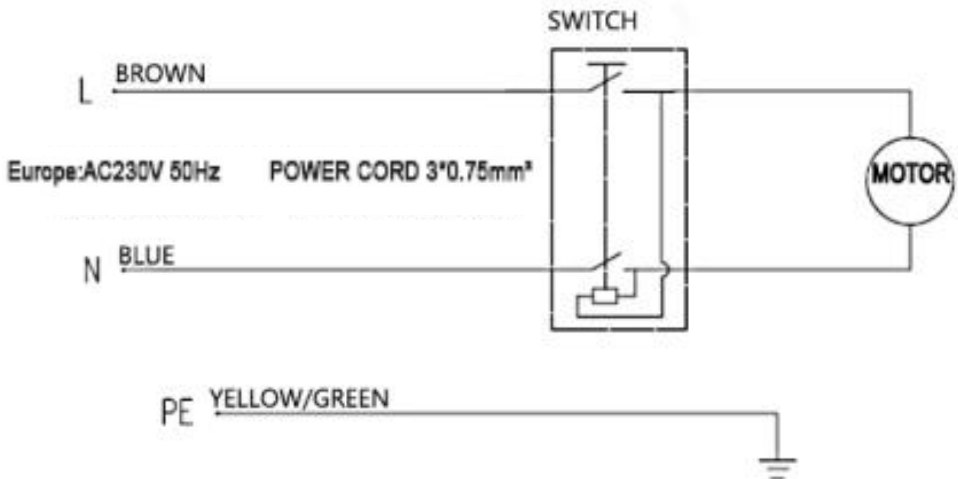
		TID AD
1	ARANDELA DE SEGURIDAD	2
2	TORNILLO	2
3	BASE	1
4	TORNILLO	1
5	TORNILLO	1
6	CERCA	1
7	COLUMNA GUÍA	1
8	TORNILLO	2
9	TORNILLO	1
10	SOPORTE GUÍA	1
11	MANIJA DE CERRADURA	1
12	MANIJA DE CERRADURA	1
13	ABRAZADERA DE SUJECIÓN	1
14	COLUMNA GUÍA	1
15	TORNILLO	4
16	CUBRIR	2
17	TUERCA	1
18	ARANDELA DE SEGURIDAD	1
19	PRIMAVERA	1
20	ARANDELA DE SEGURIDAD	1
21	ESTANTE PARA HERRAMIENTAS	1
22	TORNILLO	2
23	CABLE DE	1

		TID AD
36	CURVA DE CONEXIÓN B	1
37	COLUMNA DE ENGRANAJES	1
38	COLUMNA GUÍA	1
39	GUÍA DE CONJUNTO DE PROFUNDIDAD	1
40	MANIJA DE CERRADURA	1
41	Mesa de madera	1
42	TORNILLO	2
43	CINCEL	3
44	BUSQUEDA DE CINCEL	1
45	ARROJAR	1
46	TORNILLO	1
47	TORNILLO	1
48	EJE DE ENGRANAJE	1
49	CAJA DE ENGRANAJES	1
50	TORNILLO	4
51	ARANDELA DE SEGURIDAD	4
52	CUBRIR	1
53	CAJA DE INTERRUPTORES	1
54	TORNILLO	4
55	CAMBIAR	1
56	TORNILLO	2
57	TORNILLO	1
58	ARANDELA	1

	ALIMENTACIÓN	
24	GUANTES CON MANGO	1
25	MOTOR	1
26	TORNILLO	2
27	ARANDELA	2
28	PLACA DE PASO	1
29	MANEJAR	1
30	ENGRANAJE	1
31	ALFILER	1
32	CURVA DE CONEXIÓN A	1
33	CUBRIR	1
34	PRIMAVERA	1
35	TORNILLO	1

5 9	RESORTE DE GAS	1
60	TUERCA	2
61	ARANDELA	2
62	ALFILER	1
63	ARANDELA DE SEGURIDAD	2
64	ARANDELA	2
65	ARANDELA DE SEGURIDAD	2
66	ALFILER	1
67	ARANDELA DE SEGURIDAD	2
68	ARANDELA	4
69	TORNILLO	2
70	ALFILER	1

WIRING DIAGRAM



ACCESSORIES LIST

Código: [FSJ36127A3F340001V2](#)

- 93.Instrucciones *1
- 94.1/4 cincel *1
- 95.Cincel 3 / 8 *1
- 96.1/2 cincel * 1
- 97.Portabrocas *1
- 98.Vallas de hierro fundido *1
- 99.Llave Allen *3
- 100.Varilla de agarre *1
- 101.Mango *1
- 102.Tornillo de varilla de manija hexagonal M6*20 *1
- 103.eje vertical *1
- 104.Bloques de presión *1
- 105.Palanca *1
- 106.Asiento giratorio + tornillos *1
- 107.Portaherramientas *1
- 108.Tornillos portaherramientas M6*16 + arandelas planas *2
- 109.Llaves de taladro *1
- 110.Gafas protectoras *1

- 111.Eje de abrazadera de taladro *1
- 112.Tornillos para tablero de madera M8*20 *2
- 113.Palancas de límite izquierda y derecha *2
- 114.Manguito de límite + llave *2
- 115.Tablas de madera para trabajar *1

Código: [FSJMS36127A3F0001V2](#)

- 77.Instrucciones *1
- 78.1/4 cincel *1
- 79.Cincel 3 / 8 *1
- 80.1/2 cincel * 1
- 81.Portabrocas *1
- 82.Vallas de hierro fundido *1
- 83.Llave Allen *3
- 84.Banco de trabajo de madera *1
- 85.Eje de tarjeta de perforación *1
- 86.Varilla de agarre *1
- 87.Llave de mandril *1
- 88.Tornillos para banco de trabajo M8*26 tornillos *2
- 89.Manillar ajustable *1
- 90.Bloques de presión *1
- 91.eje vertical *1
- 92.Portaherramientas *1
- 93.Tornillos portaherramientas M6*16 + espaciadores *2
- 94.Manguito de conexión de la varilla del mango *1
- 95.Tornillo de varilla de manija hexagonal M6*20 *1

Código: [FSJ36127A3F120001V2](#)

- 81.Instrucciones *1**
- 82.1/4 cincel *1**
- 83.Cincel 3 / 8 *1**
- 84.1/2 cincel * 1**
- 85.Portabrocas *1**
- 86.Vallas de hierro fundido *1**
- 87.Llave Allen *3**
- 88.Banco de trabajo de madera *1**
- 89.Eje de tarjeta de perforación *1**
- 90.Varilla de agarre *1**
- 91.Llave de mandril *1**
- 92.Tornillos para banco de trabajo M8*26 tornillos *2**
- 93.Manillar ajustable *1**
- 94.Bloques de presión *1**
- 95.eje vertical *1**
- 96.Portaherramientas *1**
- 97.Tornillos portaherramientas M6*16 + espaciadores *2**
- 98.Manguito de conexión de la varilla del mango *1**
- 99.Asiento giratorio + tornillos *1**
- 100. Gafas protectoras *1**



Please dispose of packaging for the product in a responsible manner. It is suitable for recycling. Help to protect the environment, take the packaging to the local amenity tip and place into the appropriate recycling bin.



Only for EU countries

Do not dispose of electric tools together with household waste material!

In observance of European Directive 2002/96/EC on waste electrical and electronic equipment and its implementation in accordance with national law, electric tools that have reached the end of their life must be collected separately and returned to an environmentally compatible recycling facility.

Dirección: Baoshanqu Shuangchenglu 803long 11hao 1602A-1609shi
Shanghai

Importado a AUS: SIHAO PTY LTD, 1 ROKEVA STREETEASTWOOD
NSW 2122 Australia

Importado a EE. UU.: Sanven Technology Ltd., Suite 250, 9166 Anaheim
Place, Rancho Cucamonga, CA 91730



Pooledas Group Ltd
Unit 5 Albert Edward House, The Pavilions
Preston, United Kingdom



SHUNSHUN GmbH
Römeräcker 9 Z2021, 76351
Linkenheim-Hochstetten, Germany

Hecho en china

VEVOR[®]

TOUGH TOOLS, HALF PRICE

Técnico Certificado de soporte y garantía electrónica

www.vevor.com/support

VEVOR®

TOUGH TOOLS, HALF PRICE

Techniczny Wsparcie i certyfikat gwarancji elektronicznej www.vevor.com/support

MASZYNA DO DŁUTOWANIA DŁUTAMI PUSTYMI

INSTRUKCJE

MODELE: MS36127A3

Nadal staramy się oferować Państwu narzędzia w konkurencyjnych cenach. „Oszczędź połowę”, „Połowa ceny” lub jakiegokolwiek inne podobne wyrażenia używane wyłącznie przez nas przedstawia szacunkowe oszczędności, jakie możesz uzyskać kupując określone narzędzia z nami w porównaniu do głównych, najlepszych marek i niekoniecznie oznacza to okładka wszystkie kategorie narzędzi oferowanych przez nas. Przypominamy o sprawdzeniu ostrożnie gdy składasz u nas zamówienie, jeśli faktycznie Oszczędność Połowa w porównaniu z wiodącymi markami.

VEVOR®

TOUGH TOOLS, HALF PRICE

HOLLOW CHISEL MORTISE
MACHINE

MODELE: MS36127A3






POTRZEBUJESZ POMOCY? SKONTAKTUJ SIĘ Z NAMI!

Masz pytania dotyczące produktu? Potrzebujesz wsparcia technicznego? Skontaktuj się z nami:

Wsparcie techniczne i certyfikat e-gwarancji
www.vevor.com/support

To jest oryginalna instrukcja, przed użyciem należy uważnie przeczytać wszystkie instrukcje. VEVOR zastrzega sobie jasną interpretację naszej instrukcji obsługi. Wygląd produktu będzie zależał od produktu, który otrzymałeś. Prosimy o wybaczenie, że nie poinformujemy Cię ponownie, jeśli w naszym produkcie pojawią się jakiegokolwiek aktualizacje technologiczne lub oprogramowania.

	<p>Ostrzeżenie: Aby zminimalizować ryzyko obrażeń, użytkownik powinien uważnie przeczytać instrukcję obsługi.</p>
	<p>To urządzenie jest zgodne z częścią 15 przepisów FCC. Jego działanie podlega następującym dwóm warunkom: (1) To urządzenie nie może powodować szkodliwych zakłóceń i (2) to urządzenie musi akceptować wszelkie odbierane zakłócenia, w tym zakłócenia, które mogą powodować niepożądane działanie.</p>
	<p>Ten produkt podlega postanowieniom Dyrektywy Europejskiej 2012/19/WE. Symbol przedstawiający przekreślony kosz na śmieci na kółkach oznacza, że produkt wymaga oddzielnej zbiórki odpadów w Unii Europejskiej. Dotyczy to produktu i wszystkich akcesoriów oznaczonych tym symbolem. Produktów oznaczonych w ten sposób nie można wyrzucać razem ze zwykłymi odpadami domowymi, ale należy je oddać do punktu zbiórki w celu recyklingu urządzeń elektrycznych i elektronicznych.</p>

GENERAL SAFETY RULES

- Obróbka drewna może być niebezpieczna, jeśli odbywa się ona prawidłowo i bezpiecznie procedury nie są przestrzegane. Jak w przypadku wszystkich maszyn, istnieją pewne zagrożenia związane z obsługą produktu. Używanie maszyny z szacunkiem i ostrożnością znacznie zmniejszy prawdopodobieństwo obrażeń ciała. Jednakże, jeśli normalne środki ostrożności zostaną pominięte lub zignorowane, może to spowodować obrażenia ciała operatora. Sprzęt bezpieczeństwa, taki jak osłony, popychacze, przytrzymywacze, pióra deski, gogle, maski przeciwpyłowe i ochronniki słuchu mogą zmniejszyć ryzyko obrażeń. Ale nawet najlepszy ochraniacz nie zrekompensuje złej oceny sytuacji, nieostrożności lub nieuwagi. Zawsze stosuj zdrowy rozsądek i zachowaj ostrożność w warsztacie. Jeśli procedura wydaje się niebezpieczna, nie próbuj jej. Wymyśl alternatywną procedurę, która wydaje się bezpieczniejsza. **PAMIĘTAJ:** Twoje osobiste bezpieczeństwo jest Twoją odpowiedzialnością.
- Ta maszyna została zaprojektowana wyłącznie do określonych zastosowań.
zdecydowanie zalecamy, aby tej maszyny nie modyfikować i/lub nie używać do żadnych innych zastosowań niż te, do których została zaprojektowana. Jeśli masz jakiegokolwiek pytania dotyczące konkretnego zastosowania, **NIE** używaj maszyny, dopóki nie skontaktujesz się najpierw z lokalnym dealerem, aby

ustalić, czy można lub należy wykonać tę czynność produkt.

● **OSTRZEŻENIE: NIEPRZESTRZEGANIE TYCH ZASAD MOŻE MOŻE SPOWODOWAĆ POWAŻNE OBRAŻENIA CIAŁA .**

126. **DLA TWOJEGO BEZPIECZEŃSTWA PRZECZYTAJ INSTRUKCJĘ OBSŁUGI PRZED UŻYCIEM NARZĘDZIA.** Zapoznaj się z zastosowaniem i ograniczeniami narzędzia, a także ze szczególnymi zagrożeniami, które mu towarzyszą .

127. **UTRZYMYWAĆ OSŁONY NA MIEJSCU** i w stanie sprawnym .

128. **ZAWSZE NOSZ OCHRONĘ OCZU** . Noś okulary ochronne. Codzienne okulary mają tylko soczewki odporne na uderzenia; nie są to okulary ochronne. Używaj również maski na twarz lub maski przeciwpyłowej, jeśli operacja cięcia jest zakurzona.

129. **USUŃ KLUCZE REGULACYJNE I KLUCZE NASTAWCZE** . Wyrób w sobie nawyk sprawdzania, czy klucze i klucze regulacyjne zostały wyjęte z narzędzia przed jego „włączeniem”.

130. **UTRZYMUJ MIEJSCE PRACY W CZYSTOŚCI** . Zagrożone miejsca i ławki sprzyjają wypadkom .

131. **NIE UŻYWAĆ W NIEBEZPIECZNYM ŚRODOWISKU.** Nie używać elektronarzędzi w wilgotnych lub mokrych miejscach ani nie wystawiać ich na deszcz. Utrzymywać miejsce pracy dobrze oświetlone.

132. **TRZYMAJ DZIECI I OSOBY ODWIEDZAJĄCE Z DAŁA** . Wszystkie dzieci i osoby odwiedzające powinny znajdować się w bezpiecznej odległości od miejsca pracy.

133. **ZABEZPIECZ WARSZTAT PRZED DZIEĆMI** – stosując kłódki, wyłączniki główne lub wyjmując kluczyki ze stacyjki .

134. **NIE UŻYWAJ NARZĘDZIA NA SIŁĘ** . Wykona ono zadanie lepiej i bezpieczniej, jeśli będzie działać z prędkością, do której zostało zaprojektowane .

135. **UŻYWAJ ODPOWIEDNIEGO NARZĘDZIA** . Nie używaj narzędzia ani osprzętu do wykonywania pracy, do której nie zostało zaprojektowane .

136. **NOSZ ODPOWIEDNIĄ ODZIEŻ** . Nie zakładaj luźnej odzieży, rękawiczek, krawatów, pierścionków, bransoletek ani innej biżuterii, które mogłyby zostać wciągnięte w ruchome części. Zalecane jest obuwie antypoślizgowe. Noś

- ochronne nakrycie głowy, aby powstrzymać długie włosy.
137. **BEZPIECZNA PRACA** . Używaj zacisków lub imadła, aby przytrzymać pracę, gdy jest to praktyczne. Jest to bezpieczniejsze niż używanie ręki i uwalnia obie ręce do obsługi .
138. **NIE WYSUWAJ SIĘ ZA MAŁO** . Zawsze utrzymuj równowagę i równowagę .
139. **UTRZYMUJ NARZĘDZIA W NAJLEPSZYM STANIE** . Utrzymuj narzędzia ostre i czyste, aby zapewnić najlepszą i najbezpieczniejszą pracę. Postępuj zgodnie z instrukcjami dotyczącymi smarowania i wymiany akcesoriów .
140. **ODŁĄCZ NARZĘDZIA** przed serwisowaniem i wymianą akcesoriów, takich jak ostrza, wiertła, frezy itd .
141. **UŻYWAJ ZALECANYCH AKCESORIÓW** . Użycie akcesoriów i elementów mocujących niezalecanych przez producenta może powodować zagrożenia lub ryzyko obrażeń osób .
142. **ZMNIEJSZ RYZYKO NIEZAMIERZONEGO URUCHOMIENIA** . Przed podłączeniem przewodu zasilającego upewnij się, że przełącznik jest w pozycji „OFF” . W przypadku awarii zasilania przestaw przełącznik w pozycję „OFF” .
143. **NIGDY NIE STAWAJ NA NARZĘDZIU** . Może dojść do poważnych obrażeń, jeśli narzędzie się przechyli lub jeśli przypadkowo dojdzie do kontaktu z narzędziem tnącym .
144. **SPRAWDŹ USZKODZONE CZĘŚCI** . Przed dalszym użyciem narzędzia należy dokładnie sprawdzić osłonę lub inną uszkodzoną część, aby upewnić się, że będzie działać prawidłowo i wykonywać zamierzoną funkcję – sprawdź wyrównanie ruchomych części, wiązanie ruchomych części, pęknięcie części, montaż i wszelkie inne warunki, które mogą mieć wpływ na jego działanie. Osłonę lub inną uszkodzoną część należy odpowiednio naprawić lub wymienić .
145. **KIERUNEK PODAWANIA** . Podawaj materiał do ostrza lub noża wyłącznie w kierunku przeciwnym do kierunku obrotu ostrza lub noża .
146. **NIGDY NIE ZOSTAWIAJ URZĄDZENIA WŁĄCZONEGO BEZ NADZORU. WYŁĄCZ ZASILANIE** . Nie pozostawiaj narzędzia, dopóki się całkowicie nie zatrzyma .
147. **ZACHOWAJ CZUJNOŚĆ, UWAŻAJ NA TO, CO ROBISZ, I ZACHOWAJ ZDROWY ROZSĄDEK PODCZAS OBSŁUGI ELEKTRYCZNEGO NARZĘDZIA. NIE UŻYWAJ NARZĘDZIA, GDY JESTEŚ ZMĘCZONY LUB POD WPŁYWEM NARKOTYKÓW, ALKOHOLU LUB LEKÓW.** Chwila nieuwagi podczas obsługi

elektronarzędzia może spowodować poważne obrażenia ciała.

148. UPEWNIJ SIĘ, ŻE NARZĘDZIE JEST ODŁĄCZONE OD ZASILANIA
PODCZAS montażu, podłączania lub ponownego podłączania silnika .

149. PYŁ GENEROWANY przez niektóre gatunki drewna i produkty drewniane może być szkodliwy dla zdrowia. Zawsze obsługuj maszyny w dobrze wentylowanych pomieszczeniach i zapewnij odpowiednie usuwanie pyłu. Zawsze, gdy to możliwe, używaj systemów zbierania pyłu drzewnego .

150. OSTRZEŻENIE: NIEKTÓRE PYŁY POWSTAJĄCE PODCZAS SZLIFOWANIA, PIŁOWANIA, SZLIFOWANIA, WIERCENIA I INNYCH DZIAŁAŃ BUDOWLANYCH zawierają substancje chemiczne, o których wiadomo, że powodują raka, wady wrodzone lub inne szkody reprodukcyjne. Oto kilka przykładów takich substancji chemicznych :

ołów z farb ołowiowych .

krystaliczna krzemionka z cegieł, cementu i innych produktów murarskich.

arsen i chrom z drewna poddanego obróbce chemicznej .

Ryzyko związane z tymi ekspozycjami różni się w zależności od tego, jak często wykonujesz tego typu pracę. Aby zmniejszyć narażenie na te substancje chemiczne: pracuj w dobrze wentylowanym pomieszczeniu i używaj zatwierdzonego sprzętu ochronnego, takiego jak maski przeciwpyłowe, które są specjalnie zaprojektowane do filtrowania mikroskopijnych cząstek .

ADDITIONAL SAFETY RULES FOR HOLLOW CHISEL MORTISERS

106. NIE UŻYWAJ TEJ MASZINY, dopóki nie zostanie **zmontowane** i **zainstalowane** zgodnie z instrukcją .

107. UZYSKAJ PORADĘ OD SWOJEGO PRZEŁOŻONEGO, instruktora lub inną wykwalifikowaną osobę, jeśli nie jesteś zapoznaj się z obsługą tej maszyny .

108. **PRZESTRZEGAJ WSZYSTKICH PRZEPISÓW DOTYCZĄCYCH OKABLOWANIA** i zalecanych połączenia elektryczne .
109. **UPEWNIJ SIĘ, że** maszyna jest przymocowana do wspornika powierzchnię, aby zapobiec jej przewróceniu się podczas pracy .
110. **NIGDY nie włączaj** dłutarki przed oczyszczeniem tabela wszystkich obiektów (narzędzi, złomu itp.) .
111. **Zawsze** trzymaj ręce, palce i włosy z dala od obracający się bit .
112. **NIE** próbuj wiercić otworów w materiale, który nie mają płaską powierzchnię, chyba że zostanie użyta odpowiednia podpora .
113. **ZAWSZE** umieszczaj uchwyt bezpośrednio nad przedmiotem obrabianym aby zapobiec podnoszeniu się przedmiotu obrabianego w trakcie pracy .
114. **ZAWSZE** podpieraj obrabiany przedmiot pewnie o ogranicznik aby zapobiec obrotowi .
115. **UPEWNIJ SIĘ, ŻE** wiertło jest ostre, nieuszkodzone i prawidłowo zamontowane. zamocowane w uchwycie przed rozpoczęciem pracy .
116. **UPEWNIJ SIĘ, ŻE** klucz do uchwytu został wyjęty przed rozpoczęciem pracy. maszyna .
117. **NIGDY nie** włączaj zasilania za pomocą wiertła lub dłuta stykanie się z przedmiotem obrabianym .
118. **NIGDY nie** wykonuj prac związanych z układem, montażem lub konfiguracją stołu podczas pracy dłutarki .
119. **DOSTOSUJ** ogranicznik głębokości, aby uniknąć wiercenia w tabela .
120. **ZAWSZE** wyłączaj zasilanie przed usuwaniem złomu kawałki ze stołu .
121. **WYŁĄCZ** zasilanie, wyjmij wiertło i dłuto, i wyczyść stół przed opuszczeniem maszyny .
- 122. DLA TWOJEGO BEZPIECZEŃSTWA - Nie zakładaj rękawiczek, gdy obsługa maszyny .**
123. **W PRZYPADKU** braku jakiegokolwiek części narzędzia, jej uszkodzenia lub zawieść w jakikolwiek sposób lub jakikolwiek element elektryczny nie będzie działał prawidłowo, wyłącz przełącznik i odłącz wtyczkę od zasilania gniazdo zasilania. Wymień brakujące, uszkodzone lub uszkodzone części przed wznowieniem działania .
124. **UŻYWANIE** akcesoriów i przystawek nie jest dozwolone zalecane przez

Deltę mogą wiązać się z ryzykiem obrażeń .

125. WYŁĄCZ MASZYNĘ I ODŁĄCZ MASZYNĘ odłącz od źródła zasilania przed instalacją lub usuwania akcesoriów przed regulacją lub zmianą podczas konfiguracji lub dokonywania napraw .

126. WYŁĄCZ MASZYNĘ , odłącz zasilanie odłącz maszynę od źródła zasilania i wyczyść stołu/obszaru roboczego przed opuszczeniem maszyny.

ZABLOKUJ PRZEŁĄCZNIK W POZYCJI „ WYŁĄCZONY ” , aby zapobiec nieautoryzowane użycie .

OSTRZEŻENIE: NIEPRZESTRZEGANIE TYCH ZASAD MOŻE SKUTKOWAĆ POWAŻNYMI OBRAŻENIAMI CIAŁA .

ZACHOWAJ TE INSTRUKCJE.

Często do nich wracaj

i wykorzystywać je do nauczania innych.

CONNECTING TOOL TO POWER SOURCE

● PODŁĄCZENIA ZASILANIA .

Do narzędzi należy używać oddzielnego obwodu elektrycznego. Jeśli używany jest przedłużacz, należy używać wyłącznie przedłużaczy 3-żyłowych, które mają wtyczki i gniazda uziemiające, które akceptują wtyczkę narzędzia. Przed podłączeniem silnika do linii zasilającej należy upewnić się, że przełącznik jest w pozycji „OFF” i że prąd elektryczny ma takie same parametry, jak wskazane na narzędziu.

Wszystkie połączenia liniowe powinny mieć dobry kontakt. Praca na niskim napięciu uszkodzi silnik .

OSTRZEŻENIE: NIE WYSTAWIAĆ NARZĘDZIA NA DZIAŁANIE DESZCZU ANI NIE UŻYWAĆ W MIEJSCACH WILGOTNYCH

●DANE TECHNICZNE SILNIKA

Twoje narzędzie jest podłączone do : Europa 230 V 50 Hz lub Ameryka Północna 120 V 60 Hz prąd przemienny. Przed podłączeniem narzędzia do źródła zasilania upewnij się, Maszyna jest odłączona od źródła zasilania .

●INSTRUKCJA UZIEMIENIA

OSTRZEŻENIE: TO NARZĘDZIE MUSI BYĆ UZIEMIONE PODCZAS UŻYTKOWANIA, ABY CHRONIĆ OPERATORA PRZED PORAŻENIE PRĄDEM ELEKTRYCZNYM .

Wszystkie uziemione narzędzia podłączone przewodowo:

31. W przypadku awarii lub uszkodzenia uziemienie zapewnia ścieżkę najmniejszego oporu dla prądu elektrycznego, aby zmniejszyć ryzyko porażenia prądem. To narzędzie jest wyposażone w przewód elektryczny z przewodem uziemiającym sprzęt i wtyczką uziemiającą. Wtyczka musi być podłączona do odpowiedniego gniazdka, które jest prawidłowo zainstalowane i uziemione zgodnie ze wszystkimi lokalnymi kodeksami i rozporządzeniami.

32. Nie modyfikuj dołączonej wtyczki. Jeśli nie pasuje ona do gniazdka, zleć montaż właściwego gniazdka wykwalifikowanemu elektrykowi.

33. Nieprawidłowe podłączenie przewodu uziemiającego sprzęt może skutkować ryzykiem porażenia prądem. Przewód z izolacją mającą zewnętrzną powierzchnię w kolorze zielonym z żółtymi paskami lub bez nich jest przewodem uziemiającym sprzęt. Jeśli konieczna jest naprawa lub wymiana przewodu elektrycznego lub wtyczki, nie należy podłączać przewodu uziemiającego urządzenia do aktywnego terminala .

34. W przypadku niepełnego zrozumienia instrukcji uziemienia lub jeśli masz wątpliwości co do prawidłowego uziemienia narzędzia .

35. Należy używać wyłącznie przedłużaczy 3-żyłowych, wyposażonych w wtyczki z uziemieniem i gniazdka, do których można podłączyć wtyczkę narzędzia .

36. Natychmiast napraw lub wymień uszkodzony lub zużyty przewód .

OSTRZEŻENIE: W KAŻDYM PRZYPADKU UPEWNIJ SIĘ, ŻE GNIAZDO JEST PRAWIDŁOWO UZIEMIIONE. JEŚLI NIE JESTEŚ PEWIEN, POPROŚ WYKWALIFIKOWANEGO ELEKTRYKA O SPRAWDZENIE GNIAZDA.

Używaj odpowiednich przedłużaczy. Upewnij się, że przedłużacz jest w dobrym stanie i jest przedłużaczem 3-żyłowym, który ma wtyczkę uziemiającą i gniazdo, które przyjmie wtyczkę narzędzia. Używając przedłużacza, upewnij się, że jest wystarczająco mocny, aby przenosić prąd narzędzia. Przewód o zbyt małym przekroju spowoduje spadek napięcia sieciowego, co doprowadzi do utraty mocy i przegrzania.

INSTRUCTIONS FOR OPERATING THE DEVICE

●PRZEDMOWA .

Fox MS3816R jest łatwiejszy w obsłudze niż tradycyjne wiertarki wyposażone w nasadki do otworów. Model MS3816R jest wykonany z żeliwa i stali, co sprawia, że jest sztywny i stabilny. Otwór jest wyposażony w standardowy klucz 3-szczękowy uchwyt umożliwiający pewne uchwycenie czopu.

●ROZPAKOWYWANIE I CZYSZCZENIE .

Ostrożnie rozpakuj maszynę i wszystkie luźne elementy z kartonu(-ów) transportowego(-ych). Usuń powłokę ochronną ze wszystkich niepomalowanych powierzchni. Powłokę tę można usunąć miękką szmatką zwilżoną naftą (nie używaj w tym celu acetonu, benzyny ani rozcieńacza do lakierów). Po czyszczeniu przykryj niepomalowane powierzchnie dobrej jakości pastą do podłóg domowych .

UWAGA: ZDJĘCIE NA OKŁADCE INSTRUKCJI PRZEDSTAWIA AKTUALNY MODEL PRODUKCJI. WSZYSTKIE INNE ILUSTRACJE SĄ TYLKO POGŁĄDOWE I MOGĄ NIE PRZEDSTAWIAĆ RZECZYWISTEGO KOLORU, ETYKIET LUB

AKCESORIÓW, A MOGĄ MIEĆ NA CELU TYLKO ILUSTRACJĘ TECHNIKI.

UWAGA: Schemat działania ma charakter poglądowy, rzeczywiste akcesoria produktu podlegają faktycznemu produktowi, a sposób działania i użytkowania pozostają niezmienione.

● **CZĘŚCI DŁUTARKI Z PRZESTRZENIĄ DŁUTA .** (Zobacz rysunek 1).

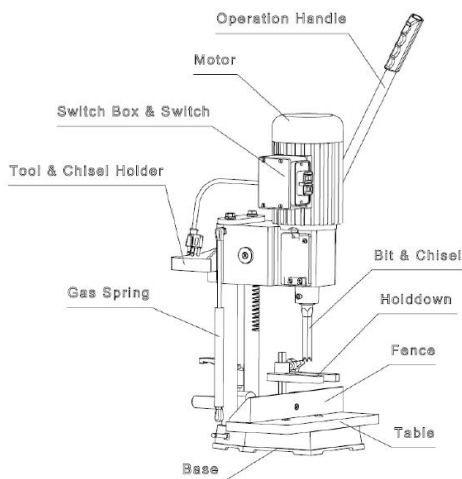
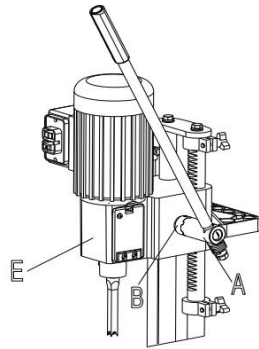
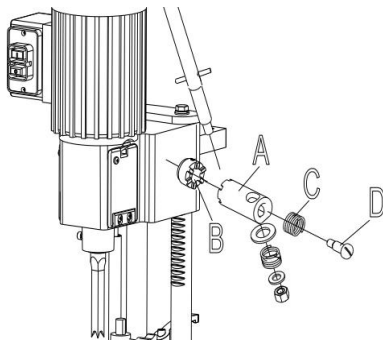


Fig. 1

OSTRZEŻENIE: DLA WŁASNEGO BEZPIECZEŃSTWA NIE PODŁĄCZAJ URZĄDZENIA DO ŹRÓDŁA ZASILANIA, DOPÓKI URZĄDZENIE NIE ZOSTANIE CAŁKOWICIE ZMONTOWANE ORAZ NIE PRZECZYTASZ I NIE ZROZUMISZ CAŁEJ INSTRUKCJI OBSŁUGI.

● Uchwyt do podnoszenia i sprężyna gazowa .

21. Zamontuj piastę zespołu uchwytu (A) rys. 2 do końca wału zębatego (B) i przymocuj uchwyt do wału zębatego za pomocą specjalnej śruby (C) i sprężyny (D).

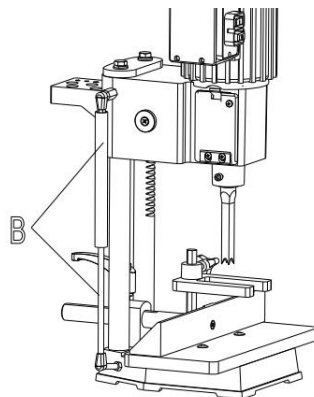
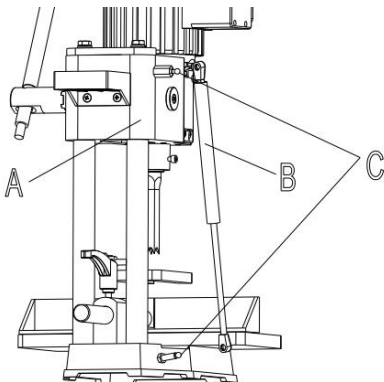


Rys. 2 Rys. 3

22. Podnieś głowicę dłutarki (E) rys. 3 do pozycji górnej, obracając uchwyt (A) zgodnie z ruchem wskazówek zegara. UWAGA: Uchwyt (A) jest sprężynowy i można go zmienić położenie, wyciągając uchwyt i umieszczając go ponownie na wałku zębatym (B).

23. Upewnij się, że głowica (A) rys.4 jest trzymana w pozycji górnej i zamontuj sprężynę gazową

(B) do dwóch mocowań (C), jednego znajdującego się na kolumnie i drugiego z tyłu głowicy.



Rys. 4 Rys. 5

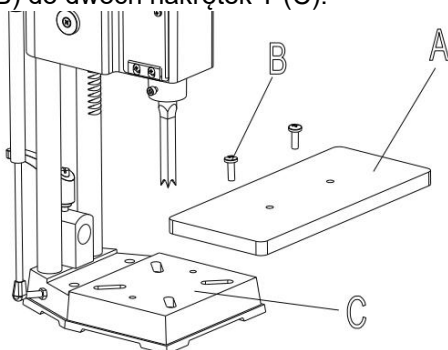
24. Rys. 5 przedstawia sprężynę gazową (B) zmontowaną z maszyną. Sprężyna gazowa

(B) utrzymuje głowę w pozycji górnej.

●Powierzchnia robocza.

11.Zamontuj stół (A) rys. 6 do podstawy za pomocą dwóch śrub z łbem płaskim M6x1x35mm

śruby (B) Włóż dwie śruby (B) do dwóch otworów (D) w tabeli (A). Umieść dwie nakrętki T (C) w szczelinach (E) znajdujących się na spodzie podstawy i mocno dokręć dwie śruby (B) do dwóch nakrętek T (C).



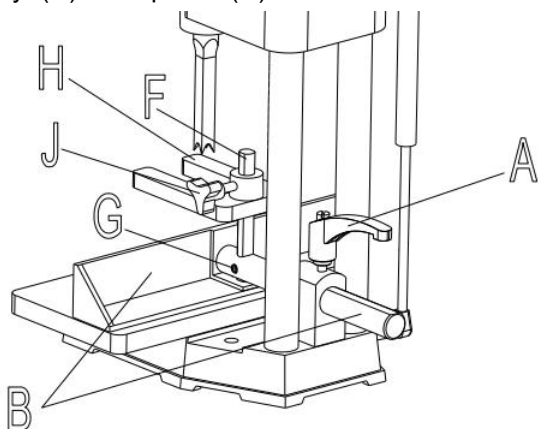
Rys. 6

12.Stół (A) rys. 6 można przesuwając do wewnątrz lub na zewnątrz, poluzowując dwie śruby (B) i

ponowne ustawienie stołu i dokręcenie śrub (B).

●OGRODZENIE I PRZYTRZYMANIE.

21.Zlokalizuj zespół uchwytu i wyjmij śrubę (A) rys. 7 i sprężynę (B) z uchwytu (C). Oddziel uchwyt (C) od trzpienia (D).



Ryc.7

22. Włóż pręt zespołu ogrodzenia (E) rys. 7 przez otwór w kolumnie, jak pokazano.

Dokręć uchwyt (C) do płaskiej powierzchni pręta ogrodzenia, aby utrzymać ogrodzenie w pozycji. UWAGA: Uchwyt (C) jest sprężynowy i można go zmienić położenie na kołku znajdującym się pod uchwytem, wyciągając uchwyt i zmieniając jego położenie na kołku.

23. Włóż pręt (F) rys. 7 do otworu na górze ogrodzenia, jak pokazano, i dokręć zestaw.

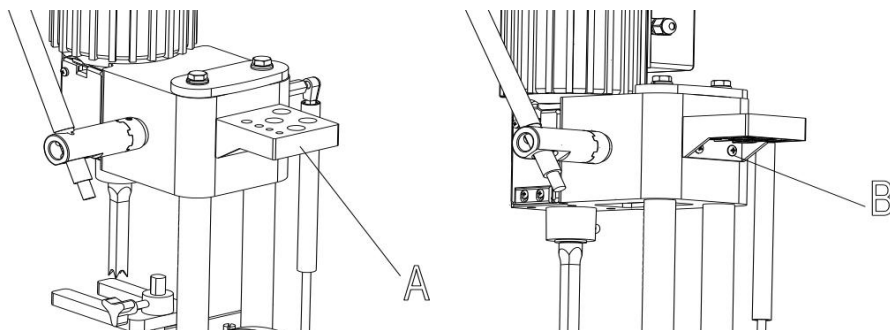
śrubę (G) przykręć do płaskiej powierzchni pręta (F).

24. Złóż uchwyt w dół (H) Rys. 7, na drążek (F) jak pokazano i dokręć śrubę ustalającą (J) dokręcić do płaskiej powierzchni pręta .

● UCHWYT NA NARZĘDZIA I DŁUTA .

11. Zamontuj narzędzie i uchwyt dłuta (A) rys. 8 z boku kolumny za pomocą dwóch

Śrub M6x1x25mm (B) i Podkładek płaskie M6, jak pokazano.

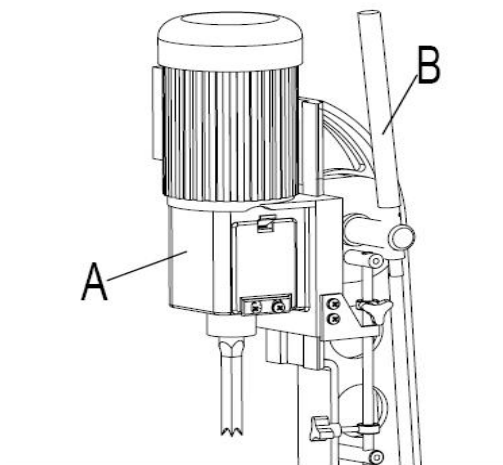


Rys.8

12. Ilustruje klucz uchwyty, klucz i dłuta oraz bity w otworach narzędzia i uchwyt dłuta (A), gdy nie jest używany .

●PODNOSZENIE I OPUSZCZANIE GŁOWY .

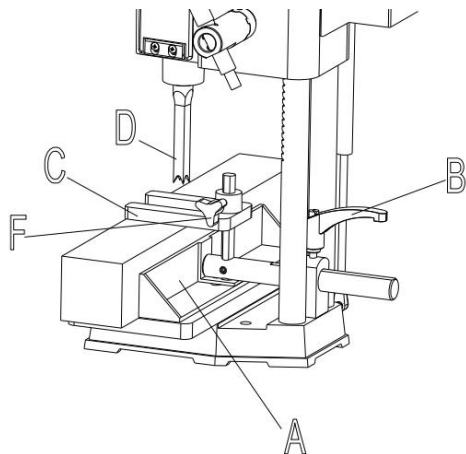
Głowica (A) Rys. 9 jest podnoszona i opuszczana za pomocą dźwigni (B). Aby uzyskać maksymalną dźwignię podczas operacji dłutowania, dźwignię (B) można zmienić położenie, wyciągając piastę (C) zespołu dźwigni i zmieniając położenie piasty na wale zębatym .



Ryc. 9

●OGRODZENIE .

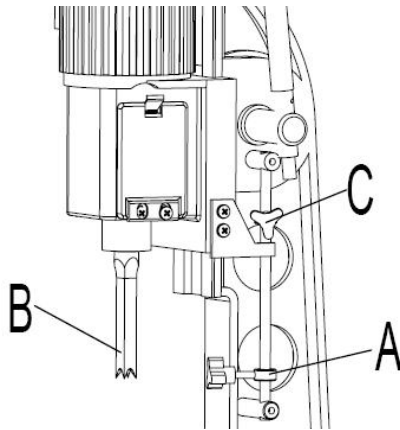
Ogrodzenie (A) Rys. 10 można przesuwając do wewnątrz lub na zewnątrz, poluzowując dźwignię (B), przesuwając ogrodzenie do żądanej pozycji. i dźwignię dokręcającą (B). UWAGA: Dźwignia (B) jest sprężynowa i można ją zmienić jej położenie, wyciągając dźwignię i zmieniając jej położenie na nakrętce ząbkowanej znajdującej się pod dźwignią .



Rys. 10

●PRZYSTANEK GŁĘBOKOŚCI .

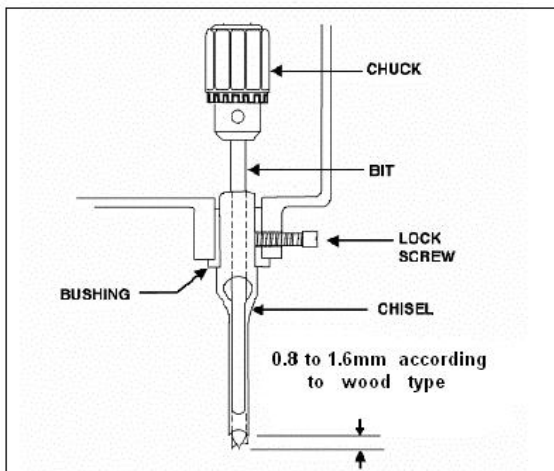
Do ograniczenia głębokości dłuta (B) służy prowadnica ogranicznika głębokości (A) Rys. 11. Aby wyregulować prowadnicę ogranicznika głębokości (A), poluzuj śrubę (C) i opuść głowicę, aż dłuto (B) znajdzie się na żądanej głębokości. Opuść prowadnicę ogranicznika głębokości (A), aż znajdzie się na żądanej głębokości, dokręć śrubę (C).



Ryc. 11

●INSTALACJA DŁUTA I WIERTŁA .

26. Odkręć śrubę blokującą, pokazaną na rysunku 12 .



Rys. 12

27. Włóż tuleję dłuta (otworem skierowanym do przodu) do głowicy. Dokręć śrubę tylko na tyle, aby utrzymać dłuto na miejscu.

UWAGA: Ustaw szczelinę z boku dłuta *po lewej lub prawej stronie*, NIE z przodu lub z tyłu. Umożliwi to wydostawanie się wiórów podczas cięcia otworów .

28. Wsuń dłuto tak wysoko, jak to możliwe, w głowicę. Następnie obniż dłuto o około 0,8 mm do 1,6 mm, w zależności od rodzaju obrabianego drewna. Dokręć śrubę, aby przytrzymać dłuto na miejscu.

29. Wsuń wiertło przez otwór dłuta tak daleko, jak to możliwe. Zablokuj wiertło na miejscu za pomocą klucza do uchwyty.

30. Odkręć śrubę i dociśnij dłuto do tulei, a następnie dokręć śrubę. Powinno to zapewnić właściwą odległość między ostrzami dłuta i wiertła.

MAINTENANCE

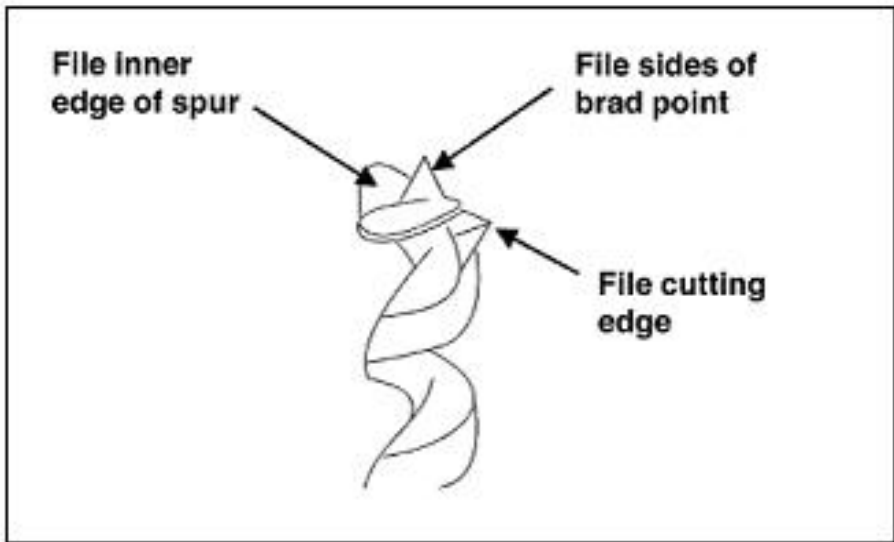
- Dłutarka wymaga jedynie drobnych czynności konserwacyjnych, takich jak czyszczenie i smarowanie, rutynowa regulacja i ostrzenie dłuta i wiertła.
- Po każdym użyciu odkurz maszynę i w razie potrzeby użyj lekkiego środka zastosowanie oleju lub smaru do smarowania połączeń, ruchomych części itp.

SHARPENING CHISEL & BIT

Dłuta i wiertła powinny być ostre, aby zapewnić optymalną wydajność. Tępe krawędzie dadzą niedokładne wyniki na gnieździe i czopie, co może prowadzić do przegrzania i złamania dłuta lub wiertła. Jeśli dłuto i wiertło są mocno zużyte i trudne do naostrzenia, należy je wymienić.

- Naostrz końcówkę za pomocą małego, gładkiego pilnika, zgodnie z pierwotnym kształtem

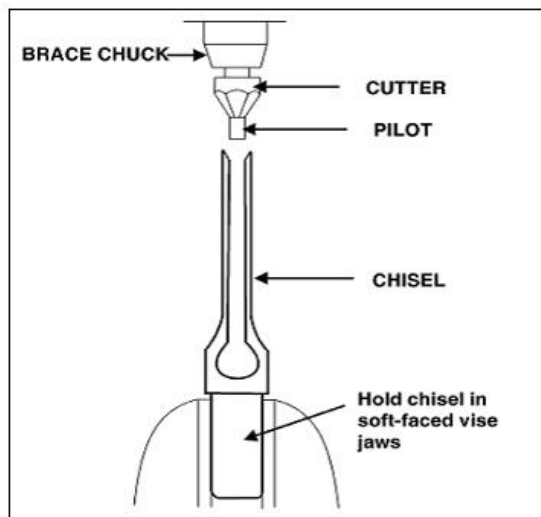
wiertła. Piłuj wewnętrzną krawędź ostrogi, boki końcówki trzpienia i krawędź tnącą do wewnątrz w kierunku rowka wiertła. Zobacz rys . 13. Nie piłuj zewnętrznej krawędzi ostrogi, ponieważ wpłynie to na średnicę wiertła.



Rys. 13

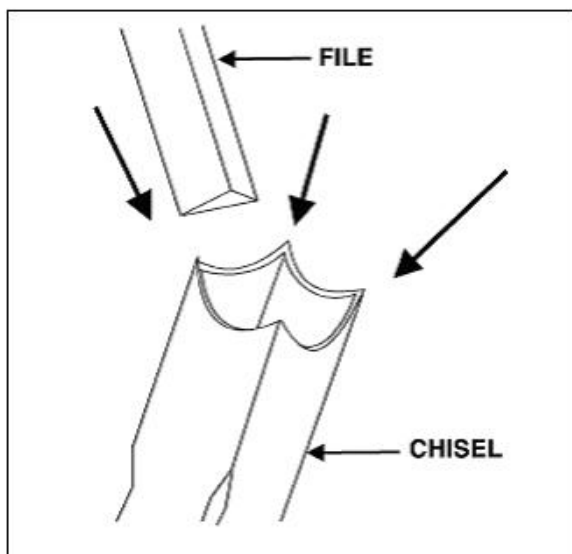
- Naostrz dłuto za pomocą dłuta do otworów i czopów o odpowiednim rozmiarze

przewodnik. (Rozmiar pilota będzie się różnić w zależności od rozmiaru dłuta). Dwa do trzech obrotów frezu w uchwycie ciesielskim wystarczą, aby naostrzyć dłuto, jak pokazano na rysunku 14 .



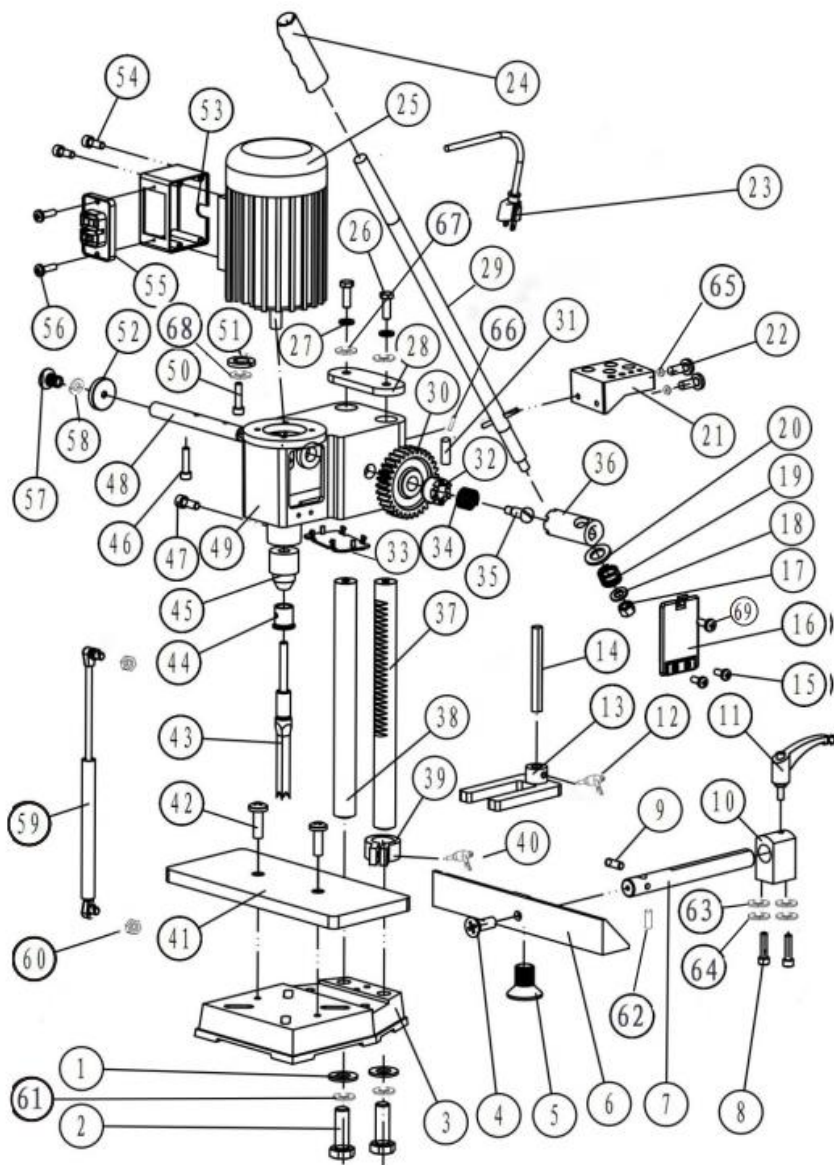
Rys. 14

- Użyj małego, trójkątnego, gładkiego pilnika, aby odciążyć wewnętrzne kąćki dłuta. Zobacz rys. 15. Usuń wszelkie zadziory z zewnętrznej strony dłuta za pomocą drobnego kamienia olejowego.



PARTS DRAWINGS AND PARTS LISTS

Schemat części



LISTA CZĘŚCI

NIE.	OPIS	ILO	NIE.	OPIS	ILO
------	------	-----	------	------	-----

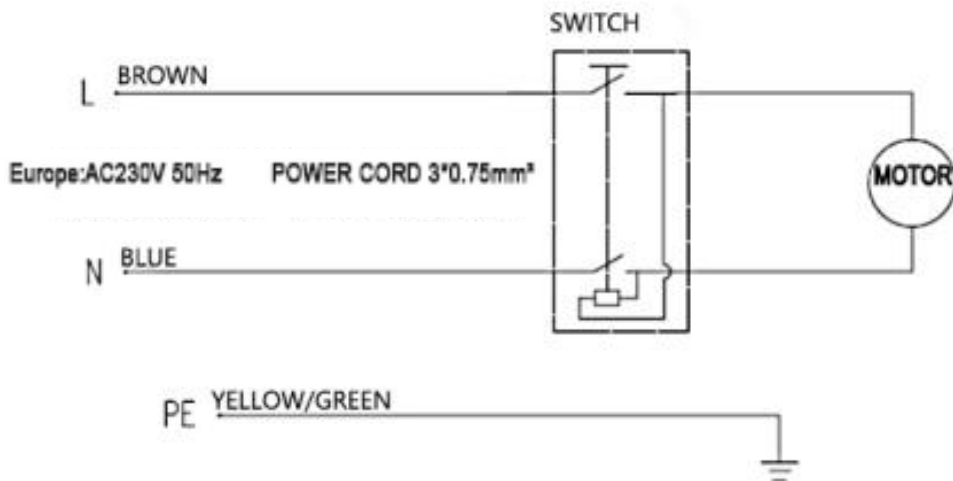
		ŚĆ
1	PODKŁADKA ZABEZPIECZAJĄCA	2
2	ŚRUBA	2
3	OPIERAĆ	1
4	ŚRUBA	1
5	ŚRUBA	1
6	OGRODZENIE	1
7	KOLUMNA PRZEWODNIKA	1
8	ŚRUBA	2
9	ŚRUBA	1
10	WSPORNIK PROWADZĄCY	1
11	KLAMKA ZAMKA	1
12	KLAMKA ZAMKA	1
13	ZACISK DOCISKOWY	1
14	KOLUMNA PRZEWODNIKA	1
15	ŚRUBA	4
16	OKŁADKA	2
17	NAKRĘTKA	1
18	PODKŁADKA ZABEZPIECZAJĄCA	1
19	WIOSNA	1
20	PODKŁADKA ZABEZPIECZAJĄCA	1
21	STOJAK NA NARZĘDZIA	1
22	ŚRUBA	2
23	PRZEWÓD ZASILAJĄCY	1
24	RĘKAWICE Z	1

		ŚĆ
36	ŁĄCZĄCY ZGINANY B	1
37	KOLUMNA PRZEKŁADNI	1
38	KOLUMNA PRZEWODNIKA	1
39	PRZEWODNIK PO GŁĘBOKOŚCI	1
40	KLAMKA ZAMKA	1
41	STÓŁ DREWNIANY	1
42	ŚRUBA	2
43	DŁUTO	3
44	DŁUTO TOROWE	1
45	CMOKANIE	1
46	ŚRUBA	1
47	ŚRUBA	1
48	WAŁEK PRZEKŁADNIOWY	1
49	OBUDOWA PRZEKŁADNI	1
50	ŚRUBA	4
51	PODKŁADKA ZABEZPIECZAJĄCA	4
52	OKŁADKA	1
53	SKRZYNKA PRZEŁĄCZNIKOWA	1
54	ŚRUBA	4
55	PRZEŁĄCZNIK	1
56	ŚRUBA	2
57	ŚRUBA	1
5 8	PRALKA	1
5 9	SPRĘŻYNA GAZOWA	1

	UCHWYTEM	
25	SILNIK	1
26	ŚRUBA	2
27	PRALKA	2
28	PŁYTA STOPNIOWA	1
29	UCHWYT	1
30	BIEG	1
31	SZPILKA	1
32	ŁĄCZĄCY ZGIĘCIE A	1
33	OKŁADKA	1
34	WIOSNA	1
35	ŚRUBA	1

60	NAKRĘTKA	2
61	PRALKA	2
62	SZPILKA	1
63	PODKŁADKA ZABEZPIECZAJĄCA	2
64	PRALKA	2
65	PODKŁADKA ZABEZPIECZAJĄCA	2
66	SZPILKA	1
67	PODKŁADKA ZABEZPIECZAJĄCA	2
68	PRALKA	4
69	ŚRUBA	2
70	SZPILKA	1

WIRING DIAGRAM



ACCESSORIES LIST

Numer katalogowy: [FSJ36127A3F340001V2](#)

116.Instrukcje *1

117.1/4 dłuta *1

118.3 / 8 dłuto *1

119.1 / 2 dłuta *1

120.Uchwyty wiertarskie *1

121.Ogrodzenia żeliwne *1

122.Klucz imbusowy *3

123.Pręt uchwyty *1

124.Uchwyt *1

125.Śruba do pręta uchwyty sześciokątna M6*20 *1

126.oś pionowa *1

127.Bloki dociskowe *1

128.Dźwignia *1

129.Siedzisko obrotowe + śruby *1

130.Uchwyty narzędziowe *1

131.Śruby uchwyty narzędziowego M6*16 + podkładki płaskie *2

132.Klucze wiertnicze *1

133.Gogle *1

134.Wał zacisku wiertarskiego *1

- 135. Wkręty do desek M8*20 *2
- 136. Dźwignie krańcowe lewe i prawe *2
- 137. Tuleja ograniczająca + klucz *2
- 138. Deski robocze drewniane *1

Numer katalogowy: [FSJMS36127A3F0001V2](#)

- 96. Instrukcje *1
- 97. 1/4 dłuta *1
- 98. 3 / 8 dłuto *1
- 99. 1 / 2 dłuta *1
- 100. Uchwyty wiertarskie *1
- 101. Ogrodzenia żeliwne *1
- 102. Klucz imbusowy *3
- 103. Drewniany stół warsztatowy *1
- 104. Trzonek karty wiertniczej *1
- 105. Pręt uchwyty *1
- 106. Klucz do uchwyty *1
- 107. Śruby do stołu warsztatowego Śruby M8*26 *2
- 108. Regulowana kierownica *1
- 109. Bloki dociskowe *1
- 110. oś pionowa *1
- 111. Uchwyty narzędziowe *1
- 112. Śruby uchwyty narzędziowego M6*16 + podkładki *2
- 113. Tuleja łącząca pręt uchwyty *1
- 114. Śruba do pręta uchwyty sześciokątna M6*20 *1

Numer katalogowy: [FSJ36127A3F120001V2](#)

- 101. Instrukcje *1
- 102. 1/4 dłuta *1
- 103. 3 / 8 dłuto *1
- 104. 1 / 2 dłuta *1
- 105. Uchwyty wiertarskie *1
- 106. Ogrodzenia żeliwne *1
- 107. Klucz imbusowy *3
- 108. Drewniany stół warsztatowy *1
- 109. Trzonek karty wiertniczej *1
- 110. Pręt uchwytu *1
- 111. Klucz do uchwytu *1
- 112. Śruby do stołu warsztatowego Śruby M8*26 *2
- 113. Regulowana kierownica *1
- 114. Bloki dociskowe *1
- 115. oś pionowa *1
- 116. Uchwyty narzędziowe *1
- 117. Śruby uchwytu narzędziowego M6*16 + podkładki *2
- 118. Tuleja łącząca pręt uchwytu *1
- 119. Siedzisko obrotowe + śruby *1
- 120. Gogle *1



Please dispose of packaging for the product in a responsible manner. It is suitable for recycling. Help to protect the environment, take the packaging to the local amenity tip and place into the appropriate recycling bin.



Only for EU countries

Do not dispose of electric tools together with household waste material!

In observance of European Directive 2002/96/EC on waste electrical and electronic equipment and its implementation in accordance with national law, electric tools that have reached the end of their life must be collected separately and returned to an environmentally compatible recycling facility.

Adres: Baoshanqu Shuangchenglu 803long 11hao 1602A-1609shi
Szanghaj

Importowane do AUS: SIHAO PTY LTD, 1 ROKEVA
STREETEASTWOOD NSW 2122 Australia

Importowane do USA: Sanven Technology Ltd., Suite 250, 9166 Anaheim
Place, Rancho Cucamonga, CA 91730



Pooledas Group Ltd
Unit 5 Albert Edward House, The Pavilions
Preston, United Kingdom



SHUNSHUN GmbH
Römeräcker 9 Z2021, 76351
Linkenheim-Hochstetten, Germany

Wyprodukowano w Chinach

VEVOR[®]

TOUGH TOOLS, HALF PRICE

Techniczny Wsparcie i certyfikat e-gwarancji

www.vevor.com/support

VEVOR®

TOUGH TOOLS, HALF PRICE

Technisch Ondersteuning en E-garantiecertificaat www.vevor.com/support

HOLLE BEITEL BEITELMACHINE

INSTRUCTIES

MODEL: MS36127A3

Wij streven er voortdurend naar om u gereedschappen tegen concurrerende prijzen te leveren.

"Bespaar de helft", "halve prijs" of andere soortgelijke uitdrukkingen die alleen door ons worden gebruikt

geeft een schatting van de besparingen die u kunt behalen door bepaalde gereedschappen te kopen

bij ons vergeleken met de grote topmerken en betekent niet per se dat omslag alle categorieën van tools die wij aanbieden. U wordt vriendelijk verzocht om te verifiëren voorzichtig

wanneer u een bestelling bij ons plaatst, als u daadwerkelijk Besparing Half in vergelijking met de grote topmerken.

VEVOR[®]

TOUGH TOOLS, HALF PRICE

HOLLOW CHISEL MORTISE
MACHINE

MODEL: MS36127A3



HULP NODIG? NEEM CONTACT MET ONS OP!

Heeft u vragen over het product? Heeft u technische ondersteuning nodig? Neem dan gerust contact met ons op:

Technische ondersteuning en e-garantiecertificaat

www.vevor.com/support

Dit is de originele instructie, lees alle handleidingen zorgvuldig door voordat u het product gebruikt. VEVOR behoudt zich een duidelijke interpretatie van onze gebruikershandleiding voor. Het uiterlijk van het product is afhankelijk van het product dat u hebt ontvangen. Vergeef ons dat we u niet opnieuw zullen informeren als er technologie- of software-updates voor ons product zijn .

	<p>Waarschuwing: om het risico op letsel te verkleinen, moet de gebruiker de gebruiksaanwijzing zorgvuldig lezen.</p>
	<p>Dit apparaat voldoet aan Deel 15 van de FCC-regels. De werking is onderworpen aan de volgende twee voorwaarden: (1) Dit apparaat mag geen schadelijke interferentie veroorzaken, en (2) dit apparaat moet alle ontvangen interferentie accepteren, inclusief interferentie die ongewenste werking kan veroorzaken.</p>
	<p>Dit product is onderworpen aan de bepalingen van de Europese richtlijn 2012/19/EG. Het symbool met een doorgestreepte afvalbak geeft aan dat het product in de Europese Unie gescheiden afvalinzameling vereist. Dit geldt voor het product en alle accessoires die met dit symbool zijn gemarkeerd. Producten die als zodanig zijn gemarkeerd, mogen niet met het normale huishoudelijke afval worden weggegooid, maar moeten worden ingeleverd bij een inzamelpunt voor recycling van elektrische en elektronische apparaten.</p>

GENERAL SAFETY RULES

- Houtbewerking kan gevaarlijk zijn als het veilig en correct wordt uitgevoerd procedures niet worden gevolgd. Zoals bij alle machines, zijn er bepaalde gevaren verbonden aan de bediening van het product. Het met respect en voorzichtigheid gebruiken van de machine zal de kans op persoonlijk letsel aanzienlijk verkleinen. Als normale veiligheidsmaatregelen echter over het hoofd worden gezien of genegeerd, kan dit leiden tot persoonlijk letsel bij de bediener. Veiligheidsuitrusting zoals afschermingen, duwstokken, neerhouders, veer borden, brillen, stofmaskers en gehoorbescherming kunnen uw kans op letsel verkleinen. Maar zelfs de beste bescherming kan een slecht oordeel, onachtzaamheid of onoplettendheid niet goedmaken. Gebruik altijd uw gezond verstand en wees voorzichtig in de werkplaats. Als een procedure gevaarlijk aanvoelt, probeer het dan niet. Bedenk een alternatieve procedure die veiliger aanvoelt.
ONTHOUD: Uw persoonlijke veiligheid is uw verantwoordelijkheid.
- Deze machine is uitsluitend ontworpen voor bepaalde toepassingen. Wij raden ten zeerste aan dat deze machine niet kan worden aangepast en/of gebruikt voor een andere toepassing dan waarvoor deze is ontworpen. Als u vragen hebt over een bepaalde toepassing, **GEBRUIK** de machine dan **NIET** voordat u eerst contact hebt opgenomen met uw plaatselijke dealer om te bepalen of deze kan of moet worden uitgevoerd op de product.
- **WAARSCHUWING:** HET NIET NALEVEN VAN DEZE REGELS KAN LEIDEN TOT:
ERNSTIG PERSOONLIJK LETSEL TOT GEVOLG HEBBEN .

151.LEES VOOR UW EIGEN VEILIGHEID DE GEBRUIKSAANWIJZING VOORDAT U HET GEREEDSCHAP GEBRUIKT. Leer de toepassing en beperkingen van het gereedschap kennen, evenals de specifieke gevaren die

- ermee gepaard gaan .
- 152.**HOUD DE BESCHERMINGEN OP ZIJN PLAATS EN ZORG DAT ZE IN WERKING ZIJN** .
- 153.**DRAAG ALTIJD OOGBESCHERMING** . Draag een veiligheidsbril.
Alledaagse brillen hebben alleen impactbestendige lenzen; het zijn geen veiligheidsbrillen. Draag ook een gezichts- of stofmasker als de snijbewerking stoffig is.
- 154.**VERWIJDER AFSTELSLEUTELS EN MOERSLEUTELS** . Maak er een gewoonte van om te controleren of sleutels en afstelsleutels uit het gereedschap zijn verwijderd voordat u het "aan" zet.
- 155.**HOUD DE WERKPLEK SCHOON** . Rommelige plekken en banken zijn een uitnodiging voor ongelukken .
- 156.**NIET GEBRUIKEN IN GEVAARLIJKE OMGEVING**. Gebruik geen elektrisch gereedschap op vochtige of natte locaties en stel het niet bloot aan regen. Zorg dat het werkgebied goed verlicht is.
- 157.**HOUD KINDEREN EN BEZOEKERS UIT DE BUURT** . Alle kinderen en bezoekers moeten op veilige afstand van het werkgebied worden gehouden.
- 158.**MAAK UW WERKPLAATS KINDVEILIG** – met hangsloten, hoofdschakelaars of door de start sleutels te verwijderen .
- 159.**FORCE GEREEDSCHAP NIET** . Het zal de klus beter klaren en veiliger zijn op het tempo waarvoor het ontworpen is .
- 160.**GEBRUIK HET JUISTE GEREEDSCHAP** . Forceer het gereedschap of hulpstuk niet om een taak uit te voeren waarvoor het niet is ontworpen .
- 161.**DRAAG DE JUISTE KLEDING** . Geen losse kleding, handschoenen, stropdassen, ringen, armbanden of andere sieraden die vast kunnen komen te zitten in bewegende delen. Antislipschoeisel wordt aanbevolen. Draag beschermende haarbedekking om lang haar te bedekken.
- 162.**VEILIG WERK** . Gebruik klemmen of een bankschroef om werk vast te houden wanneer dat praktisch is. Het is veiliger dan uw hand gebruiken en u hebt beide handen vrij om te werken .
- 163.**REIK NIET TE VER** . Zorg te allen tijde voor een goede houding en evenwicht .
- 164.**HOUD GEREEDSCHAP IN TOPCONDITIE** . Houd gereedschap scherp en schoon voor de beste en veiligste prestaties. Volg de instructies voor het

- smeren en vervangen van accessoires .
- 165.**ONTKOPPEL GEREEDSCHAPPEN** voordat u onderhoud uitvoert en wanneer u accessoires zoals messen, bits en snijmessen vervangt enz .
- 166.**GEbruIK AANBEVOLEN ACCESSOIRES** . Het gebruik van accessoires en hulpstukken die niet door de fabrikant worden aanbevolen, kan gevaren of risico op letsel voor personen opleveren .
- 167.**VERMINDER HET RISICO OP ONBEDOELD STARTEN** . Zorg ervoor dat de schakelaar in de “UIT”-stand staat voordat u het netsnoer aansluit. In het geval van een stroomstoring, zet u de schakelaar in de “UIT”-stand .
- 168.**STA NOOIT OP HET GEREEDSCHAP** . Er kan ernstig letsel optreden als het gereedschap kantelt of als het snijgereedschap per ongeluk wordt aangeraakt .
- 169.**CONTROLEER BESCHADIGDE ONDERDELEN** . Voordat u het gereedschap verder gebruikt, moet u een beschermkap of ander onderdeel dat beschadigd is zorgvuldig controleren om te garanderen dat het goed werkt en de beoogde functie uitvoert. Controleer op uitlijning van bewegende onderdelen, vastlopen van bewegende onderdelen, breuk van onderdelen, montage en andere omstandigheden die de werking ervan kunnen beïnvloeden. Een beschermkap of ander onderdeel dat beschadigd is, moet op de juiste manier worden gerepareerd of vervangen .
- 170.**RICHTING VAN INVOER** . Voer werk in een mes of snijder alleen tegen de draairichting van het mes of de snijder in .
- 171.**LAAT HET GEREEDSCHAP NOOIT ONBEHEERD WERKEN. SCHAKEL DE STROOM UIT** . Laat het gereedschap niet achter totdat het volledig tot stilstand is gekomen .
- 172.**BLIJF ALERT, LET OP WAT U DOET EN GEbruIK UW GEZOND VERSTAND BIJ HET GEbruIK VAN EEN ELEKTRISCH GEREEDSCHAP. GEbruIK HET GEREEDSCHAP NIET ALS U MOE BENT OF ONDER INVLOED VAN DRUGS, ALCOHOL OF MEDICIJNEN.** Een moment van onoplettendheid tijdens het bedienen van elektrisch gereedschap kan leiden tot ernstig persoonlijk letsel.
- 173.**ZORG ERVOOR DAT HET GEREEDSCHAP LOS IS VAN DE STROOMVOORZIENING** terwijl de motor wordt gemonteerd, aangesloten of opnieuw wordt aangesloten .
- 174.**HET STOF DAT GEGENEREERD WORDT** door bepaalde houtsoorten en houtproducten kan schadelijk zijn voor uw gezondheid. Bedien machines altijd

in goed geventileerde ruimtes en zorg voor een goede stofafzuiging. Gebruik houtstofafzuigsystemen wanneer mogelijk .

175. WAARSCHUWING: SOMMIGE STOF DIE ONTSTAAT BIJ ELEKTRISCH SCHUREN, ZAGEN, SLIJPEN, BOREN EN ANDERE BOUWACTIVITEITEN, bevat chemicaliën waarvan bekend is dat ze kanker, geboortefwijkingen of andere reproductieve schade veroorzaken. Enkele voorbeelden van deze chemicaliën zijn :

lood uit loodhoudende verf .

kristallijn silica uit bakstenen, cement en andere metselproducten.

arseen en chroom uit chemisch behandeld hout .

Uw risico op deze blootstellingen varieert, afhankelijk van hoe vaak u dit soort werk doet. Om uw blootstelling aan deze chemicaliën te verminderen: werk in een goed geventileerde ruimte en werk met goedgekeurde veiligheidsuitrusting, zoals die stofmaskers die speciaal zijn ontworpen om microscopische deeltjes te filteren .

ADDITIONAL SAFETY RULES FOR HOLLOW CHISEL MORTISERS

127. GEBRUIK DEZE MACHINE NIET voordat deze is **gemonteerd** en **geïnstalleerd** volgens de instructies .

128. VRAAG ADVIES AAN BIJ UW LEIDINGGEVENDE, instructeur, of een andere gekwalificeerde persoon als u dat niet bent vertrouwd zijn met de werking van deze machine .

129. VOLG ALLE BEDRADINGSCODES en aanbevolen Elektrische verbindingen .

130. ZORG ERVOOR dat de machine aan een steun is bevestigd oppervlak om te voorkomen dat het tijdens het gebruik omvalt .

131. Zet de beitelmachine NOOIT op “ AAN ” voordat u de tabel met alle voorwerpen (gereedschappen, afvalstukken, enz.) .

132. Houd handen, vingers en haar **ALTIJD uit de buurt van** het roterende bit .
133. **NIET** om materiaal te beitelen dat niet een vlak oppervlak hebben, tenzij een geschikte ondersteuning wordt gebruikt .
134. **ALTIJD** direct boven het werkstuk om te voorkomen dat het werkstuk tijdens het gebruik omhoog komt .
135. **ALTIJD** stevig tegen de geleider om rotatie te voorkomen .
136. **ZORG ERVOOR** dat de boor scherp, niet beschadigd en goed vastzit. vastgezet in de klauwplaat vóór gebruik .
137. **ZORG ERVOOR dat** de boorkopsleutel verwijderd is voordat u begint machine .
138. **NOOIT** de stroom in met de boor of beitel in contact komen met het werkstuk .
139. **NOOIT** lay-out-, montage- of opzetwerkzaamheden uit op de tafel terwijl de beitelmachine in werking is .
140. **Pas** de dieptestop aan om te voorkomen dat u in de tafel .
141. **ALTIJD** de stroom uit voordat u afval verwijdert stukken van de tafel .
142. **SCHAKEL** de stroom **UIT**, verwijder de boor en beitel, en maak de tafel schoon voordat u de machine verlaat .
- 143. VOOR UW EIGEN VEILIGHEID – Draag geen handschoenen wanneer**
- De machine bedienen .**
144. **MOCHT er** een onderdeel van uw gereedschap ontbreken, beschadigd zijn of op enigerlei wijze falen, of een elektrisch onderdeel niet functioneert correct, zet de schakelaar uit en haal de stekker uit het stopcontact stopcontact. Vervang ontbrekende, beschadigde of defecte onderdelen voordat u de werkzaamheden hervat .
145. **HET GEBRUIK** van hulpstukken en accessoires niet aanbevolen door Delta kan leiden tot een risico op letsel .
146. **SCHAKEL DE MACHINE UIT EN KOPPEL DE SCHAKELAAR DE MACHINE** loskoppelen van de stroombron voordat u hem installeert of het verwijderen van accessoires, voordat u aanpassingen maakt of veranderingen aanbrengt bij het opzetten of uitvoeren van reparaties .
147. **SCHAKEL DE MACHINE UIT** , ontkoppel **de** machine uit het stopcontact halen en de tafel/werkoppervlak voordat u de machine verlaat. **VERGRENDEL**

DE SCHAKEL IN DE “ UIT ” -STAND om te voorkomen Ongeautoriseerd gebruik .

WAARSCHUWING: HET NIET NALEVEN VAN DEZE REGELS KAN LEIDEN TOT ERNSTIG PERSOONLIJK LETSEL .

BEWAAR DEZE INSTRUCTIES.

**Raadpleeg ze vaak
en deze gebruiken om anderen te
instrueren.**

CONNECTING TOOL TO POWER SOURCE

●STROOMAANSLUITINGEN .

Er moet een apart elektrisch circuit worden gebruikt voor uw gereedschap. Als u een verlengsnoer gebruikt, gebruik dan alleen 3-aderige verlengsnoeren met aardingsstekkers en stopcontacten die de stekker van het gereedschap accepteren. Voordat u de motor op de stroomlijn aansluit, moet u ervoor zorgen dat de schakelaar in de "UIT"-stand staat en dat de elektrische stroom dezelfde kenmerken heeft als aangegeven op het gereedschap.

Alle lijnverbindingen moeten goed contact maken. Werken op lage spanning zal de motor beschadigen .

WAARSCHUWING: STEL HET GEREEDSCHAP NIET BLOOT AAN REGEN EN GEBRUIK HET GEREEDSCHAP NIET OP VOCHTIGE PLAATSEN.

●MOTORSPECIFICATIES

Uw gereedschap is bedraad voor : Europa 230 V 50Hz of Noord-Amerika 120V 60Hz wisselstroom. Controleer voordat u het gereedschap aansluit op de stroombron

of De machine is afgesloten van de stroombron .

●AARDING INSTRUCTIES

WAARSCHUWING: DIT GEREEDSCHAP MOET TIJDENS GEBRUIK GEAARD WORDEN OM DE BEDIENER TE BESCHERMEN TEGEN ELEKTRISCHE SCHOK .

Alle geaarde, met snoer verbonden gereedschappen:

37. Bij een storing of defect biedt aarding een pad

van de minste weerstand voor elektrische stroom om het risico op een elektrische schok te verminderen. Dit gereedschap is uitgerust met een elektrisch snoer met een apparatuur-aardingsgeleider en een aardingsstekker. De stekker moet worden aangesloten op een passend stopcontact dat correct is geïnstalleerd en geaard in overeenstemming met alle lokale codes en verordeningen.

38. Pas de meegeleverde stekker niet aan. Als deze niet in het stopcontact past, laat dan een gekwalificeerde elektricien een geschikt stopcontact installeren.

39. Onjuiste aansluiting van de apparatuur-aardingsgeleider kan leiden tot een risico op elektrische schokken. De geleider met isolatie met een buitenoppervlak dat groen is met of zonder gele strepen is de aardingsgeleider van de apparatuur. Als Indien reparatie of vervanging van het netsnoer of de stekker noodzakelijk is, sluit dan de aardingsgeleider van de apparatuur niet aan naar een live terminal .

40. Neem contact op met een gekwalificeerde elektricien of onderhoudstechnicus als de aardingsinstructies niet volledig worden begrepen, of als twijfelt of het gereedschap goed geaard is .

41. Gebruik alleen verlengsnoeren met 3 draden, voorzien van geaarde stekkers en stopcontacten die geschikt zijn voor de stekker van het gereedschap .

42. Repareer of vervang een beschadigd of versleten snoer onmiddellijk .

WAARSCHUWING: ZORG ER IN ALLE GEVALLEN VOOR DAT HET BETREFFENDE CONTACTDOOSJE GOED GEAARD IS. ALS U HET NIET ZEKER

WEET, LAAT DAN EEN GEKWALIFICEERD ELEKTRICIEN HET CONTACTDOOSJE CONTROLEREN.

Gebruik de juiste verlengsnoeren. Zorg ervoor dat uw verlengsnoer in goede staat is en een 3-aderig verlengsnoer is, met een geaarde stekker en een stopcontact dat de stekker van het gereedschap accepteert. Wanneer u een verlengsnoer gebruikt, zorg er dan voor dat u er een gebruikt die zwaar genoeg is om de stroom van het gereedschap te dragen. Een te klein snoer zal een daling van de netspanning veroorzaken, wat resulteert in vermogensverlies en oververhitting.

INSTRUCTIONS FOR OPERATING THE DEVICE

●VOORWOORD .

De Fox MS3816R is gemakkelijker te hanteren dan traditionele boormachines die zijn uitgerust met pen-gatbevestigingen. Model MS3816R is gemaakt van gietijzer en staal, wat stijf en stabiel is. De pen-gat is uitgerust met een standaard 3-klauwsleutel Klauwplaat voor het positief vastgrijpen van de pen.

●UITPAKKEN EN SCHOONMAKEN .

Pak de machine en alle losse onderdelen voorzichtig uit de verzenddoos(en). Verwijder de bescherm laag van alle ongeschilderde oppervlakken. Deze laag kan worden verwijderd met een zachte doek die is bevochtigd met kerosine (gebruik hiervoor geen aceton, benzine of lakverdunder). Bedek de ongeschilderde oppervlakken na het schoonmaken met een goede kwaliteit huishoudelijke vloerpastawas .

LET OP: DE FOTO OP DE OMSLAG VAN DE HANDLEIDING ILLUSTREREET HET HUIDIGE PRODUCTIEMODEL. ALLE ANDERE ILLUSTRATIES ZIJN SLECHTS TER REPRESENTATIE EN GEVEN MOGELIJK NIET DE WERKELIJKE KLEUR, ETIKETTERING OF ACCESSOIRES WEER. MOGELIJK ZIJN DEZE ALLEEN BEDOELD OM DE TECHNIEK TE ILLUSTREREN.

LET OP: Het bedieningsschema is alleen ter referentie. De daadwerkelijke accessoires van het product zijn afhankelijk van het daadwerkelijke product. De bedienings- en gebruiksmethoden blijven ongewijzigd.

● ONDERDELEN VOOR HOLLE BEITELS (zie afbeelding 1).

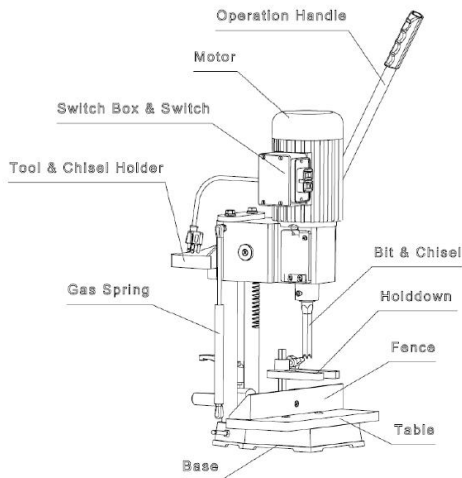
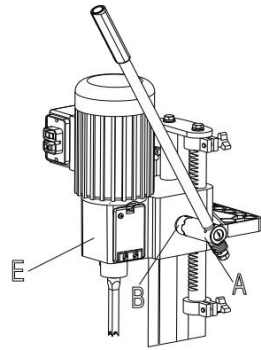
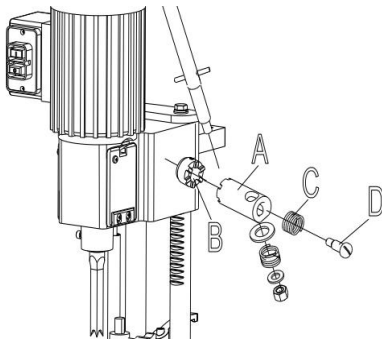


Fig. 1

WAARSCHUWING: VOOR UW EIGEN VEILIGHEID MAG U DE MACHINE NIET OP DE STROOMBRON AANSLUITEN TOT DE MACHINE VOLLEDIG IS GEMONTEERD EN U DE HELE GEBRUIKSAANWIJZING HEBT GELEZEN EN BEGREPEN.

● Hefhandvat en gasveer .

25. Monteer de naaf van de handgripconstructie (A) Afb. 2, aan het uiteinde van de rondselas (B) en bevestig de handgrip aan de rondselas met behulp van de speciale schroef (C) en veer (D).



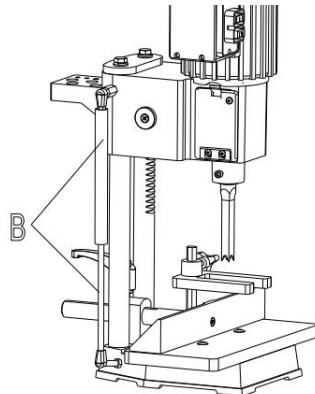
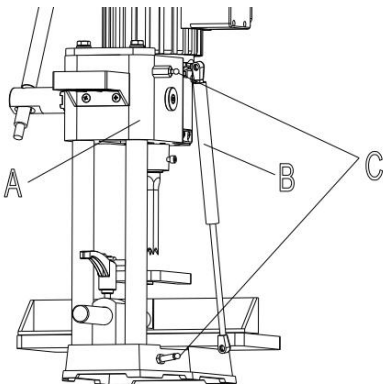
Afbeelding 2 Afbeelding 3

26. Beitelmachinekop (E) afb. 3 omhoog brengen door de hendel te draaien

(A) met de klok mee. **OPMERKING:** De hendel (A) is veerbelast en kan opnieuw worden gepositioneerd door de hendel eruit te trekken en deze opnieuw op de rondselas (B) te plaatsen.

27. Zorg ervoor dat de kop (A), afb. 4, in de bovenste positie wordt gehouden en monteer de gasveer.

(B) aan de twee fittingen (C), waarvan er één zich op de kolom en de andere aan de achterkant van de kop bevindt.



Afbeelding 4 Afbeelding 5

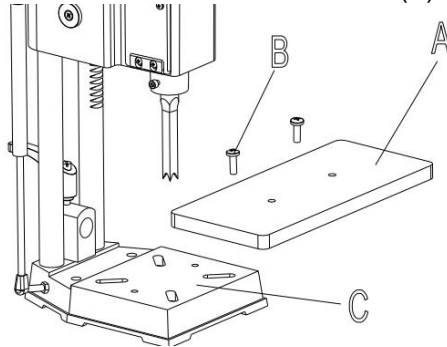
28. Figuur 5 illustreert de gasveer (B) die aan de machine is gemonteerd. De gasveer

(B) houdt het hoofd omhoog.

●Werkoppervlak.

13. Monteer de tafel (A) Afb. 6, aan de basis met behulp van de twee M6x1x35mm platte kop

schroeven (B) Plaats de twee schroeven (B) in de twee gaten (D) in de tafel (A). Plaats de twee T-moeren (C) in de daarvoor bestemde sleuven (E) aan de onderkant van de basis en draai de twee schroeven (B) stevig vast in de twee T-moeren (C).



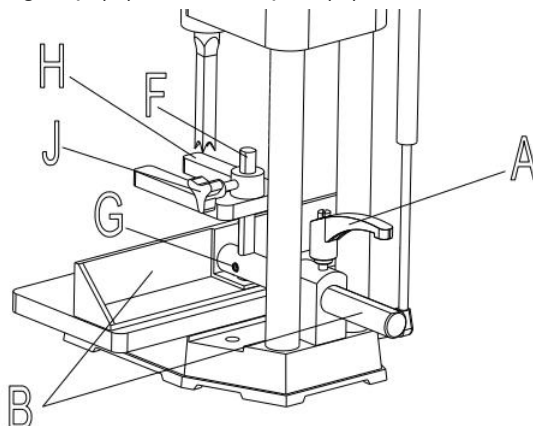
Afbeelding 6

14. De tafel (A) Afb. 6, kan naar binnen of naar buiten worden bewogen door de twee schroeven (B) los te draaien, en de tafel opnieuw positioneren en vervolgens de schroeven (B) vastdraaien.

●OMHEINING EN BESCHERMING.

25. Zoek de handgreepmontage en verwijder de schroef (A) Afb. 7, en de veer (B) van de handgreep.

(C). Maak de handgreep (C) los van de pen (D).



Afbeelding 7

26. Plaats de stang van het hekwerk (E) (Fig. 7) door het gat in de kolom, zoals afgebeeld.

Draai de hendel (C) vast tegen de vlakke kant van de geleiderail om de geleiderail op zijn plaats te houden. OPMERKING: De hendel (C) is veerbelast en kan opnieuw worden gepositioneerd op de stift die zich onder de hendel bevindt door de hendel eruit te trekken en deze opnieuw te positioneren op de stift.

27. Plaats de staaf (F) Afb. 7 in het gat boven op het hek zoals afgebeeld, en draai de set vast.

Schroef (G) tegen het vlakke gedeelte van de stang (F).

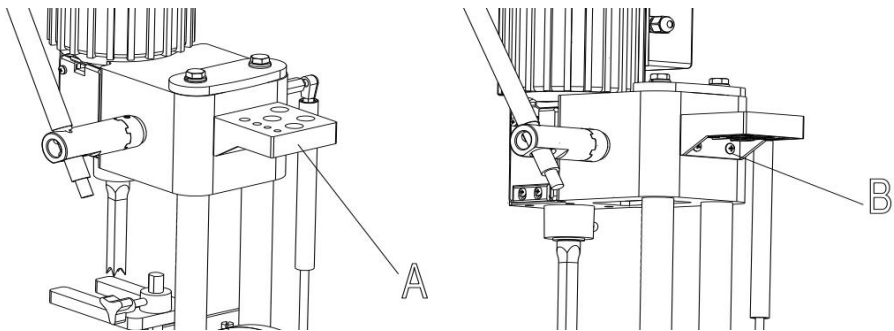
28. Monteer de houder naar beneden (H) Afb. 7, op stang (F) zoals afgebeeld, en vastdraaien

stelschroef (J) tegen het vlakke gedeelte van de stang .

●GEREEDSCHAPS- EN BEITELHOUDER .

13. Monteer gereedschap en beitelhoeder (A) Afb. 8, aan de zijkant van de kolom met behulp van de twee

M6x1x25mm schroeven (B) en M6 sluitringen zoals afgebeeld.



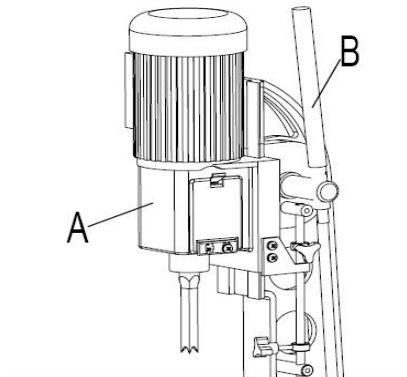
Figuur 8

14. Illustreert de klauwplaatsleutel, sleutel en beitels en bits in gaten van gereedschap en

beitelhouder (A) wanneer niet in gebruik .

●HET HOOFD OPHEFFEN EN LATEN KOMEN .

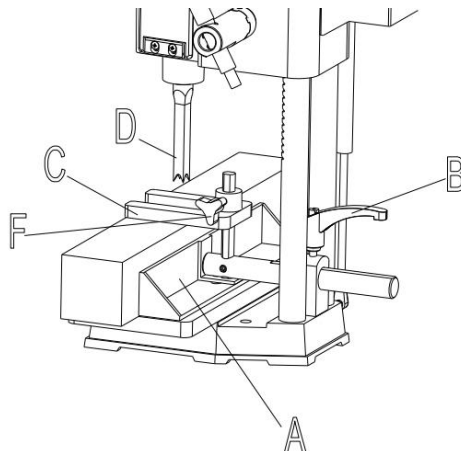
De kop (A) Afb. 9, wordt omhoog en omlaag gebracht door middel van de hendel (B). Voor maximale hefboomwerking tijdens de beitelbewerking kan de hendel (B) opnieuw worden gepositioneerd door de naaf (C) van de hendelmontage eruit te trekken en de naaf opnieuw op de rondselas te positioneren .



Afbeelding 9

●SCHUTTING .

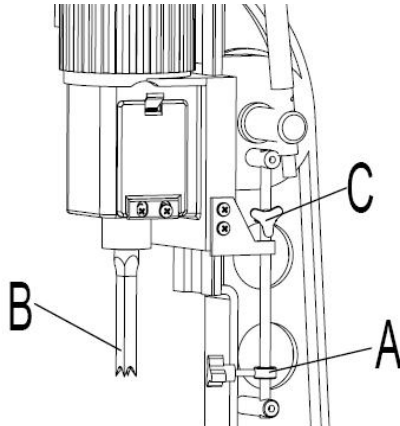
Het hek (A) Afb. 10, kan naar binnen of naar buiten worden bewogen door hendel (B) los te draaien en het hek naar de gewenste positie te schuiven en spanhendel (B). OPMERKING: Hendel (B) is veerbelast en kan opnieuw worden gepositioneerd door de hendel naar buiten te trekken en deze opnieuw te positioneren op de gekartelde moer die zich onder de hendel bevindt .



Afbeelding 10

●DIEPTESTOP .

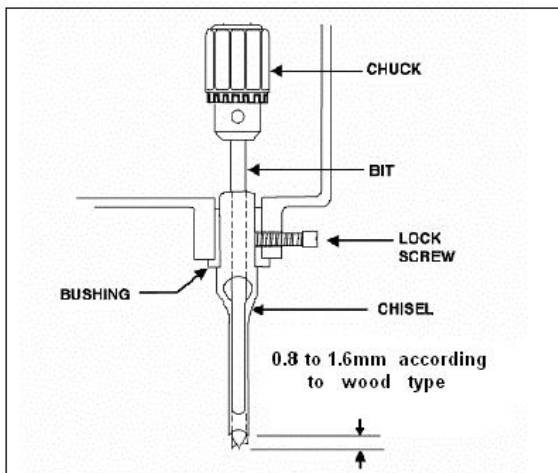
Een dieptestopgeleider (A) Afb. 11, is voorzien om de diepte van de beitel (B) te beperken. Om de dieptestopgeleider (A) aan te passen, draait u schroef (C) los en laat u de kop zakken totdat de beitel (B) op de gewenste diepte is. Laat de dieptestopgeleider (A) zakken totdat deze op de gewenste diepte is, draai schroef (C) vast.



Afbeelding 11

●BEITEL EN BIT INSTALLEREN .

31. Draai de borgschroef los, zoals weergegeven in Afbeelding 12 .



Afbeelding 12

32. Plaats de beitelbus (met het gat naar voren) in de kop. Draai de schroef net genoeg vast om de beitel op zijn plaats te houden.

OPMERKING: Plaats de sleuf in de zijkant van de beitel *naar links of rechts*, NIET naar voren of achteren. Hierdoor kunnen chips ontsnappen bij het zagen van gaten .

33. Duw de beitel zo ver mogelijk omhoog in de kop. Laat de beitel vervolgens ongeveer 0,8 mm tot 1,6 mm zakken, afhankelijk van het type hout dat wordt bewerkt. Draai de schroef vast om de beitel op zijn plaats te houden.

34. Duw de bit zo ver mogelijk omhoog door de beitelopening. Vergrendel de boor op zijn plaats met de boorkopsleutel.

35. Draai de schroef los en duw de beitel omhoog tegen de bus, draai de schroef vervolgens vast. Dit zou moeten zorgen voor de juiste afstand tussen de punten van de beitel en de boor.

MAINTENANCE

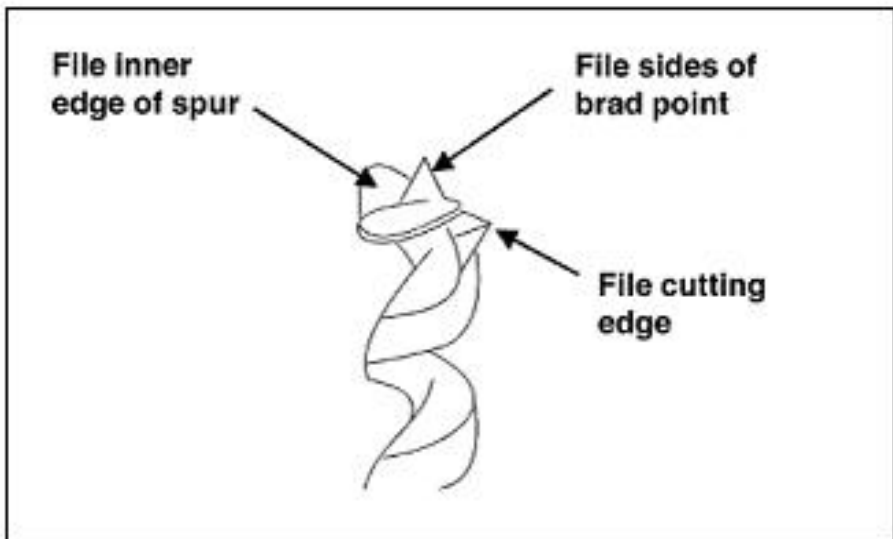
- De Mortiser heeft slechts klein onderhoud nodig, zoals schoonmaken en smering en routinematige afstelling en slijpen van de beitel en bit.
- Stof de machine na elk gebruik af en gebruik indien nodig een licht Toepassing van olie of vet om verbindingen, bewegende delen, enz. te

smeren.

SHARPENING CHISEL & BIT

Beitels en boortjes moeten scherp worden gehouden voor optimale prestaties. Botte randen geven onnauwkeurige resultaten op de pen en gat, wat kan leiden tot oververhitting en breuk bij het beitelen of bijten. Als de beitel en boor erg versleten zijn en moeilijk te slijpen, moeten ze worden vervangen.

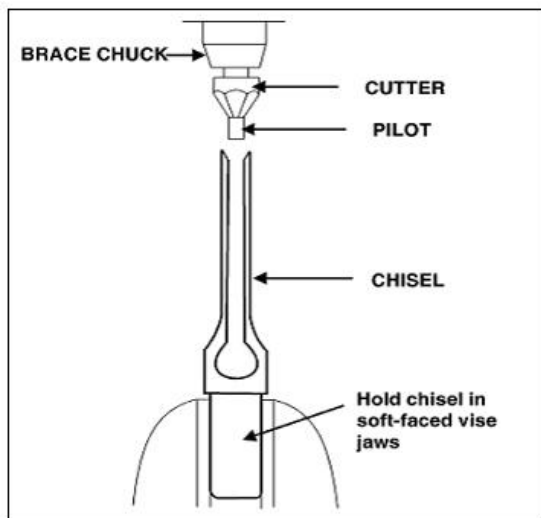
- Slijp de bit met een kleine, gladde vijl, waarbij u de oorspronkelijke vorm volgt van de bit. Vijl de binnenrand van de spoor, de zijkanten van de brad-punt en de snijkant naar binnen richting de groef van de bit. Zie Afb. 13. Vijl de buitenrand van de spoor niet, omdat dit de diameter van de bit beïnvloedt.



Figuur 13

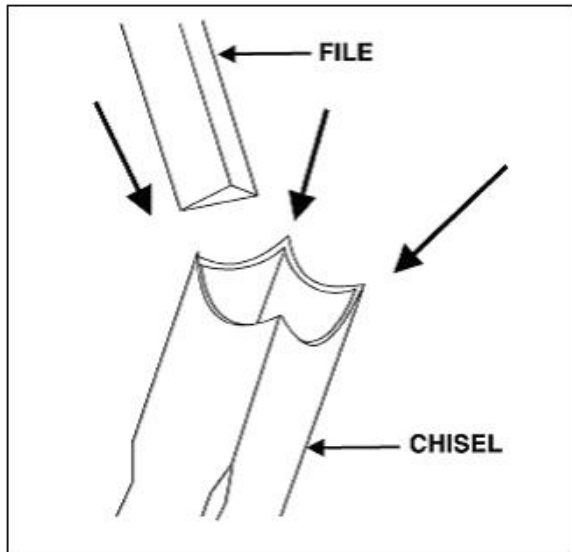
- Slijp de beitel met een pen- en gatbeitel met de juiste maat (De grootte van de piloot varieert afhankelijk van de grootte van de

beitel). Twee tot drie slagen van de frees in de klauwplaat van de timmermansbeugel zijn voldoende om de beitel te slijpen, zoals weergegeven in Afbeelding 14 .



Figuur 14

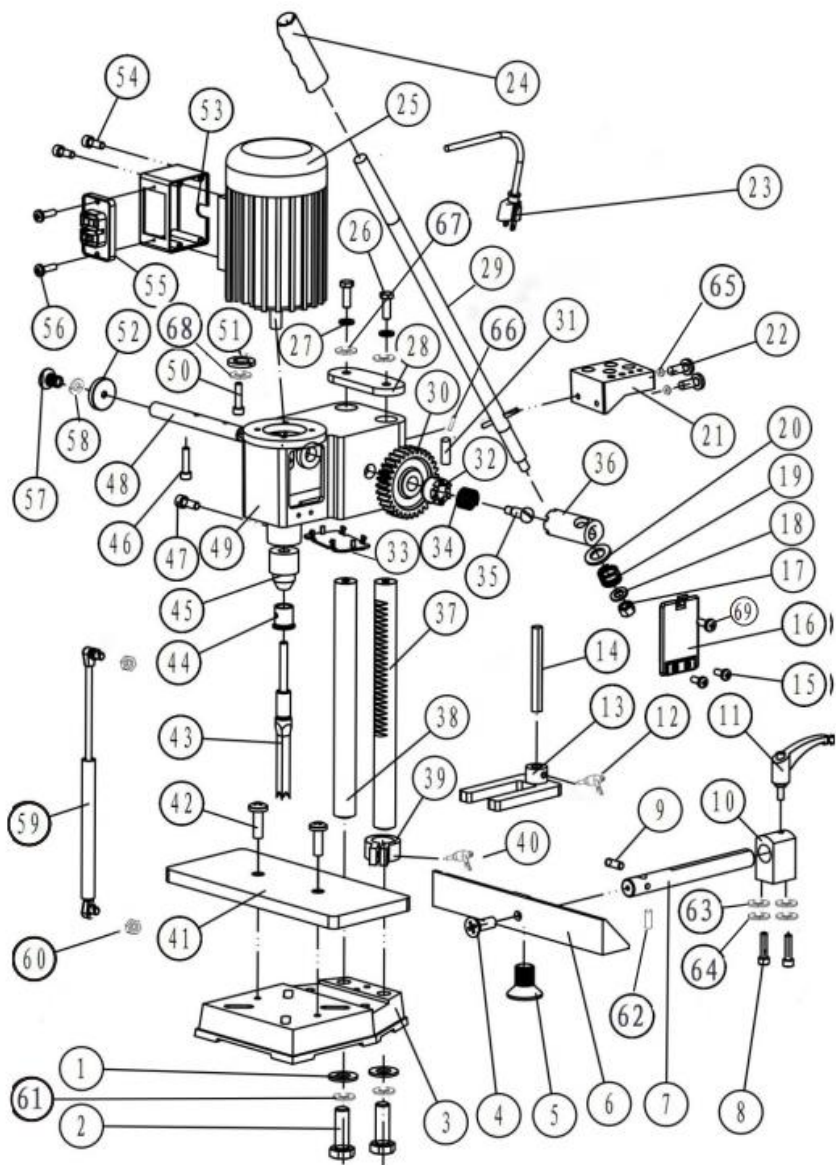
- Gebruik een kleine, driehoekige, gladde vijl om de binnenhoeken van de beitel. Zie Afb. 15. Verwijder eventuele bramen van de buitenkant van de beitel met een fijne oliesteen.



Figuur 15

PARTS DRAWINGS AND PARTS LISTS

Onderdelen diagram



ONDERDELENLIJST

NEE.	BESCHRIJVING	Hoe	NEE.	BESCHRIJVING	Hoe
------	--------------	-----	------	--------------	-----

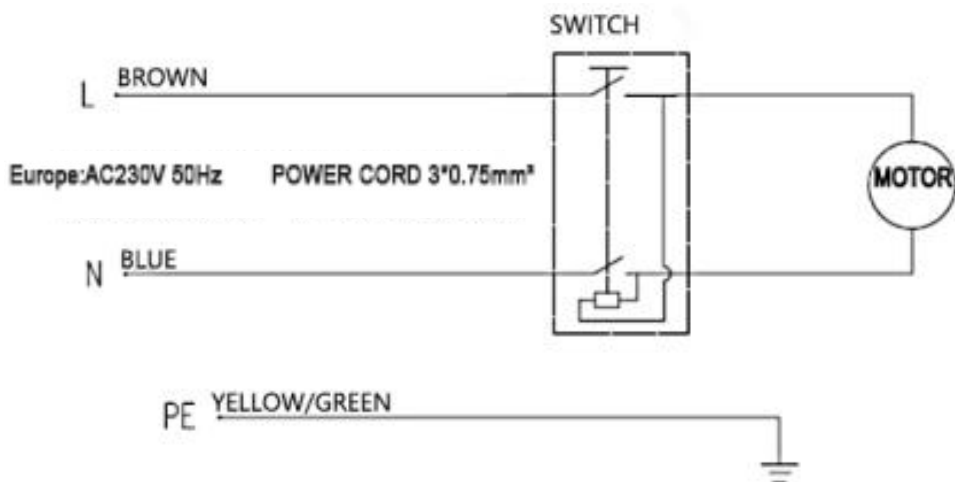
		veelheid
1	BORGRING	2
2	BOUT	2
3	BASEREN	1
4	SCHROEF	1
5	SCHROEF	1
6	SCHUTTING	1
7	GIDS KOLOM	1
8	SCHROEF	2
9	SCHROEF	1
10	GELEIDEBEUGEL	1
11	SLOTGREEP	1
12	SLOTGREEP	1
13	HOUD DE KLEM VAST	1
14	GIDS KOLOM	1
15	SCHROEF	4
16	OMSLAG	2
17	MOER	1
18	BORGRING	1
19	LENTE	1
20	BORGRING	1
21	GEREEDSCHAPSREK	1
22	SCHROEF	2
23	STROOMKABEL	1
24	HANDSCHOENEN HANDVATTEN	1
25	MOTOR	1
26	SCHROEF	2
27	WASMACHINE	2
28	STAPPENPLAAT	1
29	HENDEL	1
30	VERSNELLING	1

		veelheid
36	VERBINDINGSBOCHT B	1
37	TANDWIELKOLOM	1
38	GIDS KOLOM	1
39	DIEPTE SET GIDS	1
40	SLOTGREEP	1
41	HOUTEN TAFEL	1
42	SCHROEF	2
43	BEITEL	3
44	BEITELBUSSEN	1
45	KLAUW	1
46	SCHROEF	1
47	SCHROEF	1
48	Tandwielas	1
49	TANDWIELBEHUIZING	1
50	SCHROEF	4
51	BORGRING	4
52	OMSLAG	1
53	SCHAKELKAST	1
54	SCHROEF	4
55	SCHAKELAAR	1
56	SCHROEF	2
57	SCHROEF	1
58	WASMACHINE	1
59	GASVEER	1
60	MOER	2
61	WASMACHINE	2
62	PIN	1
63	BORGRING	2
64	WASMACHINE	2
65	BORGRING	2

31	PIN	1
32	VERBINDINGSBOCHT A	1
33	OMSLAG	1
34	LENTE	1
35	SCHROEF	1

66	PIN	1
67	BORGRING	2
68	WASMACHINE	4
69	SCHROEF	2
70	PIN	1

WIRING DIAGRAM



ACCESSORIES LIST

Artikelnummer: [FSJ36127A3F340001V2](#)

139.Instructies *1

140.1/4 beitel *1

141.3 / 8 beitel *1

142.1 / 2 beitel *1

143.Boorkoppen *1

144.Gietijzeren hekken *1

145.Inbussleutel *3

146.Handvatstang *1

147.Handvat *1

148.Handgreepstangschroef zeskant M6*20 *1

149.vertical as *1

150.Blokken drukken *1

151.Hendel *1

152.Spinnerstoel + schroeven *1

153.Gereedschapshouders *1

154.Gereedschapshouderschroeven M6*16 + sluitringen *2

155.Boorsleutels *1

156.Veiligheidsbril *1

157.Boorklem schacht *1

158.Houten plankschroeven M8*20 *2

159.Linker- en rechterlimiethendels *2

160.Limiethuls + sleutel *2

161.Houten werkplanken *1

Artikelnummer: [FSJMS36127A3F0001V2](#)

115.Instructies *1

116.1/4 beitel *1

117.3 / 8 beitel *1

118.1 / 2 beitel *1

119.Boorkoppen *1

120. Gietijzeren hekken *1

121. Inbussleutel *3

122. Houten werkbank *1

123. Boorkaart schacht *1

124. Handvatstang *1

125. Boorkopsleutel *1

126. Werkbankschroeven M8*26 schroeven *2

127. Verstelbaar stuur *1

128. Blokken drukken *1

129. verticale as *1

130. Gereedschapshouders *1

131. Gereedschapshouderschroeven M6*16 + afstandhouders *2

132. Handvatstangverbindingshuls *1

133. Handgreepstangschroef zeskant M6*20 *1

Artikelnummer: [FSJ36127A3F120001V2](#)

121. Instructies *1

122. 1/4 beitel *1

123. 3 / 8 beitel *1

124. 1 / 2 beitel *1

125. Boorkoppen *1

126. Gietijzeren hekken *1

127. Inbussleutel *3

128. Houten werkbank *1

129. Boorkaart schacht *1

- 130. **Handvatstang *1**
- 131. **Boorkopsleutel *1**
- 132. **Werkbankschroeven M8*26 schroeven *2**
- 133. **Verstelbaar stuur *1**
- 134. **Blokken drukken *1**
- 135. **verticale as *1**
- 136. **Gereedschapshouders *1**
- 137. **Gereedschapshouderschroeven M6*16 + afstandhouders *2**
- 138. Handvatstangverbindingshuls *1
- 139. Spinnerstoel + schroeven *1
- 140. Veiligheidsbril *1



Please dispose of packaging for the product in a responsible manner. It is suitable for recycling. Help to protect the environment, take the packaging to the local amenity tip and place into the appropriate recycling bin.



Only for EU countries

Do not dispose of electric tools together with household waste material!

In observance of European Directive 2002/96/EC on waste electrical and electronic equipment and its implementation in accordance with national law, electric tools that have reached the end of their life must be collected separately and returned to an environmentally compatible recycling facility.

Adres: Baoshanqu Shuangchenglu 803long 11hao 1602A-1609shi
Shanghai

Geïmporteerd naar AUS: SIHAO PTY LTD, 1 ROKEVA
STREETEASTWOOD NSW 2122 Australië

Geïmporteerd naar de VS: Sanven Technology Ltd., Suite 250, 9166
Anaheim Place, Rancho Cucamonga, CA 91730



Pooledas Group Ltd
Unit 5 Albert Edward House, The Pavilions
Preston, United Kingdom



SHUNSHUN GmbH
Römeräcker 9 Z2021, 76351
Linkenheim-Hochstetten, Germany

Gemaakt in China

VEVOR[®]

TOUGH TOOLS, HALF PRICE

Technisch Ondersteuning en E-garantiecertificaat

www.vevor.com/support

VEVOR[®]

TOUGH TOOLS, HALF PRICE

Teknisk Support och e-garanticertifikat www.vevor.com/support

IHÅLIG MEJSELINSTICKSMASKIN

INSTRUKTIONER

MODELL: MS36127A3

Vi fortsätter att vara engagerade i att ge dig verktyg till konkurrenskraftiga priser. "Spara hälften", "Halva priset" eller andra liknande uttryck som endast används av oss representerar en uppskattning av besparingar du kan dra nytta av att köpa vissa verktyg med oss jämfört med de stora toppmärkena och betyder inte nödvändigtvis att täcka alla kategorier av verktyg som erbjuds av oss. Du påminns vänligen om att verifiera försiktigt

när du gör en beställning hos oss om du faktiskt gör det Sparande Halv i jämförelse med de främsta varumärkena.

VEVOR®

TOUGH TOOLS, HALF PRICE

HOLLOW CHISEL MORTISE
MACHINE

MODELL: MS36127A3







BEHÖVER HJÄLP? KONTAKTA OSS!

Har du produktfrågor? Behöver du teknisk support? Kontakta oss gärna:

Teknisk support och e-garanticertifikat
www.vevor.com/support

Detta är den ursprungliga instruktionen, läs alla instruktioner noggrant innan du använder den. VEVOR reserverar sig för en tydlig tolkning av vår användarmanual. Utseendet på produkten är beroende av den produkt du fått. Ursäkta oss att vi inte kommer att informera dig igen om det finns någon teknik eller mjukvaruuppdateringar på vår produkt.

	<p>Varning - För att minska risken för skada måste användaren läsa instruktionerna noggrant.</p>
	<p>Denna enhet uppfyller del 15 av FCC-reglerna. Driften är föremål för följande två villkor: (1) Den här enheten får inte orsaka skadliga störningar och (2) den här enheten måste acceptera alla mottagna störningar, inklusive störningar som kan orsaka oönskad funktion.</p>
 	<p>Denna produkt omfattas av bestämmelserna i det europeiska direktivet 2012/19/EC. Symbolen som visar en soptunna korsad anger att produkten kräver separat sophämtning i EU. Detta gäller för produkten och alla tillbehör märkta med denna symbol. Produkter märkta som sådana får inte slängas tillsammans med vanligt hushållsavfall, utan måste lämnas till en insamlingsplats för återvinning av elektriska och elektroniska apparater</p>

GENERAL SAFETY RULES

- Träbearbetning kan vara farligt om det fungerar på ett säkert och korrekt sätt
rutinerna följs inte. Som med alla maskiner finns det vissa faror med produktens användning. Att använda maskinen med respekt och försiktighet minskar risken för personskador avsevärt. Men om normala säkerhetsåtgärder förbises eller ignoreras, kan det leda till personskador på operatören. Säkerhetsutrustning som skydd, tryckpinnar, nedhållare, fjäder brädor, skyddsglasögon, dammmasker och hörselskydd kan minska din risk för skada. Men även den bästa vakten kommer inte att kompensera för dåligt omdöme, slarv eller ouppmärksamhet. Använd alltid sunt förnuft och var försiktig i verkstaden. Om ett förfarande känns farligt, försök inte det. Hitta ett alternativt förfarande som känns säkrare.
KOM IHÅG: Din personliga säkerhet är ditt ansvar.
- Denna maskin är endast avsedd för vissa tillämpningar. Vi rekommenderar starkt att denna maskin inte kan modifieras och/eller användas för någon annan tillämpning än den som den är designad för. Om du har några frågor angående en viss applikation, ANVÄND **INTE** maskinen förrän du först har kontaktat din lokala återförsäljare för att avgöra om det kan eller bör utföras på produkt.
- **WARNING: UNDERLÅTENHET ATT FÖLJA DESSA REGLER KAN RESULTAT I ALLVARLIG PERSONSKADA .**

176. FÖR DIN EGEN SÄKERHET, LÄS INSTRUKTIONSMANUALEN INNAN DU ANVÄNDER VERKTYGET. Lär dig verktygets tillämpning och begränsningar samt de specifika farorna som är speciella för det .

177. **HÅLL SKYDD PÅ PLATS** och i fungerande skick .

178. **BÄR ALLTID ÖGONSKYDD** . Bär skyddsglasögon. Vardagsglasögon har bara slagtåliga glas; de är inte skyddsglasögon. Använd även ansikts- eller dammmask om skärningen är dammig.

179. **TA BORT JUSTERINGSNYCKLAR OCH NYCKLAR** . Ta för vana att kontrollera att nycklar och justeringsnycklar tas bort från verktyget innan du slår på det.
180. **HÅLL ARBETSOMRÅDET RENT** . Röriga ytor och bänkar leder till olyckor .
181. **ANVÄND INTE I FARLIG MILJÖ**. Använd inte elverktyg på fuktiga eller våta platser, och utsätt dem inte för regn. Håll arbetsområdet väl upplyst.
182. **HÅLL BARN OCH BESÖKARE BORTA** . Alla barn och besökare ska hållas på säkert avstånd från arbetsområdet.
183. **GÖR VERKSTADEN BARNSÄKER** – med hänglås, huvudströmbrytare eller genom att ta ur startnycklarna .
184. **Tvinga INTE VERKTYG** . Den kommer att göra jobbet bättre och vara säkrare i den takt som den designades för .
185. **ANVÄND RÄTT VERKTYG** . Tvinga inte verktyg eller tillbehör att utföra ett jobb som det inte är designat för .
186. **BÄR RIKTIGT KLÄDER** . Inga lösa kläder, handskar, slipsar, ringar, armband eller andra smycken kan fastna i rörliga delar. Halkfria skor rekommenderas. Bär skyddande hårskydd för att innehålla långt hår.
187. **SÄKERT ARBETE** . Använd klämmor eller ett skruvståd för att hålla fast arbetet när det är praktiskt. Det är säkrare än att använda handen och gör att båda händerna frigörs för att kunna arbeta också .
188. **RÅD INTE ÖVER** . Håll alltid rätt fotfäste och balans .
189. **UNDERHÅLL VERKTYG I TOPPSKICK** . Håll verktygen skarpa och rena för bästa och säkraste prestanda. Följ instruktionerna för smörjning och byte av tillbehör .
190. **KOPPLA FRÅN VERKTYG** före service och vid byte av tillbehör som knivar, bits, fräsar osv .
191. **ANVÄND REKOMMENDERADE TILLBEHÖR** . Användning av tillbehör och tillbehör som inte rekommenderas av tillverkaren kan orsaka faror eller risk för personskador .
192. **MINSKA RISKEN FÖR OAVSIKTLIG START** . Se till att strömbrytaren är i läge "OFF" innan du ansluter nätsladden. I händelse av ett strömavbrott, flytta omkopplaren till "OFF"-läget .
193. **STÅ ALDRIG PÅ VERKTYGET** . Allvarlig skada kan uppstå om verktyget tippas eller om skärverktyget oavsiktligt kommer i kontakt med det .

194. **KONTROLLERA SKADADE DELAR** . Innan verktyget används ytterligare, bör ett skydd eller annan del som är skadad kontrolleras noggrant för att säkerställa att den fungerar korrekt och utför sin avsedda funktion – kontrollera att rörliga delar är inriktade, fastnar rörliga delar, går sönder delar, montering, och alla andra förhållanden som kan påverka dess funktion. Ett skydd eller annan del som är skadad bör repareras eller bytas ut på rätt sätt .
195. **MATNINGSRIKTNING** . Mata endast in arbete i ett blad eller en fräs mot bladets eller fräsen rotationsriktning .
196. **LÄMNA ALDRIG VERKTYG I GÅNG OBJEKT. STÄNG AV STRÖMMEN** .
Lämna inte verktyget förrän det har stannat helt .
197. **VAR ALERT, SE VAD DU GÖR OCH ANVÄND sunt förnuft NÄR DU ANVÄNDER ETT ELVERKTYG. ANVÄND INTE VERKTYGET NÄR DU TRÖTT ELLER ÄR PÅVERKAD AV DROGER, ALKOHOL ELLER MEDICINER.** Ett ögonblick av ouppmärksamhet när du använder elverktyg kan leda till allvarliga personskador.
198. **SE TILL ATT VERKTYGET ÄR KOPPLET FRÅN STRÖMFÖRSÖRJNING** medan motorn monteras, ansluts eller återansluts .
199. **DAMMET som genereras** av vissa träslag och träprodukter kan vara skadligt för din hälsa. Använd alltid maskiner i väl ventilerade utrymmen och se till att damm avlägsnas på rätt sätt. Använd system för uppsamling av trädamm när det är möjligt .
200. **VARNING: EN del DAMM SOM SKAPARAS VID SLIPPNING, SÅGNING, SLIPPNING, BORRNING OCH ANDRA BYGGNINGSAKTIVITETER** innehåller kemikalier som är kända för att orsaka cancer, fosterskador eller andra reproduktionsskador. Några exempel på dessa kemikalier är :
- bly från blybaserade färger .
 - kristallin kiseldioxid från tegel och cement och andra murverksprodukter.
 - arsenik och krom från kemiskt behandlat virke .

Din risk från dessa exponeringar varierar beroende på hur ofta du utför den här typen av arbete. För att minska din exponering för dessa kemikalier: arbeta i ett väl ventilerat utrymme och arbeta med godkänd

säkerhetsutrustning, till exempel de dammmasker som är speciellt utformade för att filtrera bort mikroskopiska partiklar .

ADDITIONAL SAFETY RULES FOR HOLLOW CHISEL MORTISERS

148. **ANVÄND INTE DENNA MASKIN** förrän den är det **monteras** och **installeras** enligt instruktionerna .
149. **FÅ RÅD FRÅN DIN HANDLEDARE, instruktör, eller annan kvalificerad person** om du inte är det bekant med hur denna maskin fungerar .
150. **FÖLJ ALLA KABELKODER** och rekommenderas elektriska anslutningar .
151. **KONTROLLERA** att maskinen är fäst vid ett stöd yta för att förhindra att den välter under drift .
152. **Sätt ALDRIG PÅ** stiftet innan du rensar tabell över alla föremål (verktyg, skrot, etc.) .
153. **ALLTID** händer, fingrar och hår borta från den roterande biten .
154. **INTE** att riva material som inte gör det ha en plan yta, om inte ett lämpligt stöd används .
155. **ALLTID** nedhållaren direkt över arbetsstycket för att förhindra att arbetsstycket lyfts under drift .
156. **ALLTID** arbetsstycket säkert mot staket för att förhindra rotation .
157. **SE TILL att** borren är vass, inte skadad och korrekt säkrad i chucken före drift .
158. **SE TILL ATT** chucknyckeln är borttagen innan start maskin .
159. **ALDRIG** på strömmen med borrkronan eller mejseln kontakt med arbetsstycket .
160. **ALDRIG** layout-, monterings- eller uppställningsarbete på bordet medan mortizern är i drift .
161. **JUSTERA** djupstoppet för att undvika borring i bord .
162. **ALLTID** av strömmen innan du tar bort skrot bitar från bordet .
163. **STÅNG AV** strömmen, ta bort borrkronan och mejseln, och rengör bordet innan du lämnar maskinen .

164. FÖR DIN EGEN SÄKERHET - Bär inte handskar när köra maskinen .

165. SKA någon del av ditt verktyg saknas, skadas eller misslyckas på något sätt, eller någon elektrisk komponent inte fungerar ordentligt, stäng av strömbrytaren och dra ut kontakten från strömmen försörjningsuttag. Byt ut saknade, skadade eller trasiga delar innan du återupptar driften .

166. ANVÄNDNING av tillbehör och tillbehör inte rekommenderas av Delta kan leda till risk för skador .

167. STÄNG AV MASKINEN OCH KOPPLA FRÅN MASKINEN från strömkällan före installation eller ta bort tillbehör, innan du justerar eller byter installationer eller vid reparationer .

168. STÄNG AV MASKINEN , koppla ur maskinen från strömkällan och rengör bord/arbetsområde innan du lämnar maskinen. LÅS DEN STÄNG I " AV " -LÄGET för att förhindra otillåten användning .

VARNING: OM DESSA REGLER INTE FÖLJS KAN RESULTERA I ALLVARLIGA PERSONSKADA .

SPARA DESSA INSTRUKTIONER.

Referera till dem ofta

och använd dem för att instruera andra.

CONNECTING TOOL TO POWER SOURCE

●STRÖMANSLUTNINGAR .

En separat elektrisk krets bör användas för dina verktyg. Om en förlängningsladd används, använd endast 3-tråds förlängningsladdar, som har jordade kontakter och uttag, som accepterar verktygets kontakt. Innan du ansluter motorn till kraftledningen, se till att strömbrytaren är i

läge "OFF" och se till att den elektriska strömmen har samma egenskaper som anges på verktyget.

Alla ledningsanslutningar ska ha god kontakt. Körning på låg spänning kommer att skada motorn .

VARNING: UTSÄTT INTE VERKTYGET FÖR REGN ELLER ANVÄND INTE VERKTYGET PÅ FUKTA PLATS

●MOTORSPECIFIKATIONER

Ditt verktyg är kopplat för : Europa 230 V 50 Hz eller Nordamerika 120 V 60 Hz växelström. Innan du ansluter verktyget till strömkällan, se till maskinen är avstängd från strömkällan .

●JORDNINGSinSTRUKTIONER

VARNING: DETTA VERKTYG MÅSTE JORDAS UNDER ANVÄNDNING FÖR ATT SKYDDA OPERATÖREN FRÅN ELEKTRISK STÖT .

Alla jordade, sladdanslutna verktyg:

43. I händelse av ett fel eller haveri ger jordning en väg minst motstånd för elektrisk ström för att minska risken för elektriska stötar. Detta verktyg är utrustat med en elektrisk sladd med en utrustningsjordad ledare och en jordad kontakt. Kontakten måste anslutas till ett matchande uttag som är korrekt installerat och jordat i enlighet med alla lokala bestämmelser och förordningar.

44. Modifiera inte den medföljande kontakten - om den inte passar i uttaget, låt en kvalificerad elektriker installera rätt uttag.

45. Felaktig anslutning av utrustningens jordningsledare kan leda till risk för elektriska stötar. Konduktören med isolering med en yttre yta som är grön med eller utan gula ränder är utrustningens jordningsledare. Om reparation eller byte av elkabeln eller kontakten är nödvändig, anslut inte utrustningens jordledare till en liveterminal .

46. Kontrollera med en kvalificerad elektriker eller servicepersonal om jordningsinstruktionerna inte är helt förstått, eller om i tvivel om huruvida verktyget är ordentligt jordat .

47. Använd endast 3-trådsförlängningssladdar som har jordade kontakter

och uttag som accepterar verktygets kontakt .

48. Reparera eller byt ut skadad eller sliten sladd omedelbart .

VARNING: FÖRSÄKRA I ALLA FALL ATT DET KÖP I FRÅGA ÄR KORREKT JORDAT. OM DU INTE ÄR SÄKER, LA EN KVALIFICERAD ELEKTRIKER KONTROLLERA KYTTA.

Använd lämpliga förlängningssladdar. Se till att din förlängningssladd är i gott skick och är en 3-tråds förlängningssladd, som har en jordad kontakt och ett uttag som tar emot verktygets kontakt. När du använder en förlängningssladd, se till att använda en som är tillräckligt tung för att bära verktygets ström. En underdimensionerad sladd kommer att orsaka ett fall i nätspänningen, vilket resulterar i strömförlust och överhettning

INSTRUCTIONS FOR OPERATING THE DEVICE

●FÖRORD .

Fox MS3816R är lättare att hantera än traditionella bormaskiner utrustade med insticksfästen. Modell MS3816R är gjord av gjutjärn och stål, vilket är styvt och stabilt. Tappen är utrustad med en standard 3-käftsnyckel chuck för positivt grepp om tappen.

●UPPACKNING OCH RENGÖRING .

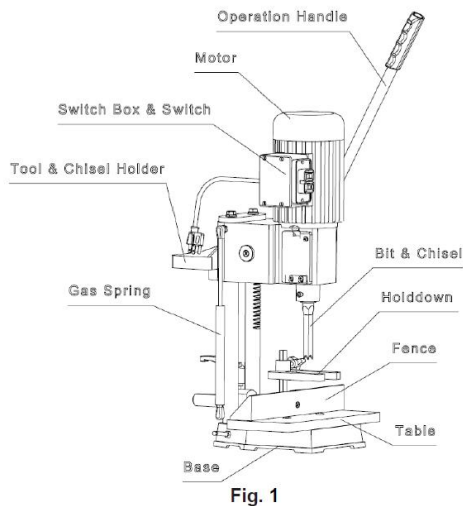
Packa försiktigt upp maskinen och alla lösa föremål från fraktkartongen. Ta bort skyddsbeläggningen från alla omålade ytor. Denna beläggning kan avlägsnas med en mjuk trasa fuktad med fotogen (använd inte aceton, bensin eller lackförtunning för detta ändamål). Efter rengöring, täck de omålade ytorna med ett hushållsgolv pasta av god kvalitet .

ANMÄRKNING: DET MANUELLA OMSLAGET BILDET ILLUSTRERAR DEN AKTUELLA PRODUKTIONSMODELLEN. ALLA ANDRA ILLUSTRATIONER ÄR ENDAST REPRESENTATIV OCH FÅR INTE AVSKRIVA DEN FAKTISKA FÄRGEN, ETIKETTEN ELLER TILLBEHÖREN, OCH KANSKE ÄR AVSEENDE ENDAST ATT

ILLUSTRERA TEKNIK.

ANMÄRKNING: Driftdiagrammet är endast för referens, och de faktiska tillbehören till produkten är föremål för den faktiska produkten, och användnings- och användningsmetoderna förblir oförändrade.

●IHÅLA MEJSELBRYTAREDELAR .(Se bild 1).



VARNING: FÖR DIN EGEN SÄKERHET, ANSLUT INTE MASKINEN TILL STRÖMKÄLLAN FÖRRÄN MASKINEN ÄR HELT MONTAD OCH DU LÄST OCH FÖRSTÅR HELA BRUKSANVISNINGEN.

●Lyfthandtag och gasfjäder .

29.Montera navet på handtagsenheten (A) Fig. 2 till änden av pinjongaxeln (B) och fäst handtaget på pinjongaxeln med hjälp av specialskruv (C) och fjäder (D).

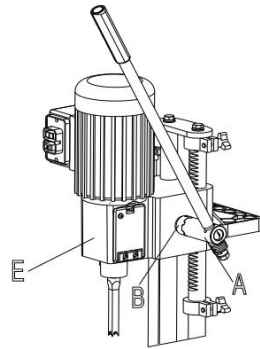
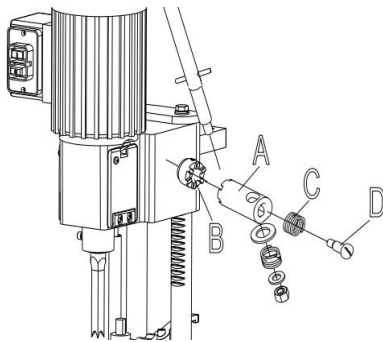


Fig. 2 Fig. 3

30. Hög insticksmaskinens huvud (E) Fig. 3, till det övre läget genom att vrida på handtaget

(A) medurs. OBS: Handtaget (A) är fjäderbelastat och kan flyttas genom att dra ut handtaget och placera det på pinjongaxeln (B).

31. Se till att huvudet (A) Fig. 4 hålls i det övre läget och montera gasfjäders

(B) till de två beslagen (C), en placerad på pelaren och den andra på baksidan av huvudet.

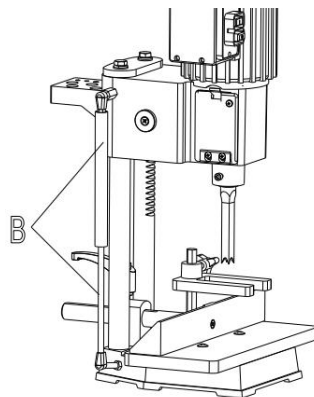
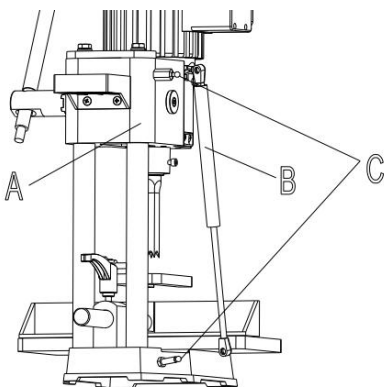


Fig. 4 Fig. 5

32. Fig. 5 visar gasfjäders (B) monterad på maskinen. Gasfjäders

(B) håller huvudet i uppläge.

● Arbetsyta.

15. Montera bordet (A) Fig. 6, på basen med hjälp av de två M6x1x35mm platta

huvudena

skruvar (B) Sätt i de två skruvarna (B) i de två hålen (D) i tabell (A). Placera de två T-muttrarna (C) i skårorna (E) som finns i botten av basen och dra åt de två skruvarna (B) i de två T-muttrarna (C) ordentligt.

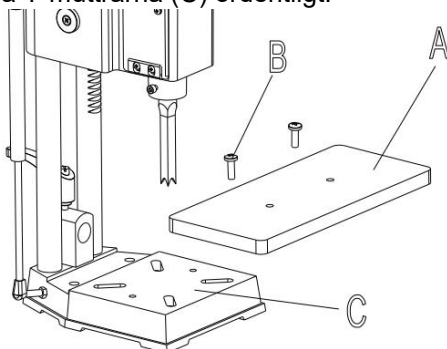


Fig. 6

16. Bordet (A) Fig. 6, kan flyttas in eller ut genom att lossa de två skruvarna (B), och

placera om bordet och sedan dra åt skruvarna (B).

●STÄNGSEL OCH HOLDNOWN.

29. Lokalisera handtagsenheten och ta bort skruven (A) Fig. 7 och fjädern (B) från handtaget

(C). Sperat handtag (C) från tappen (D).

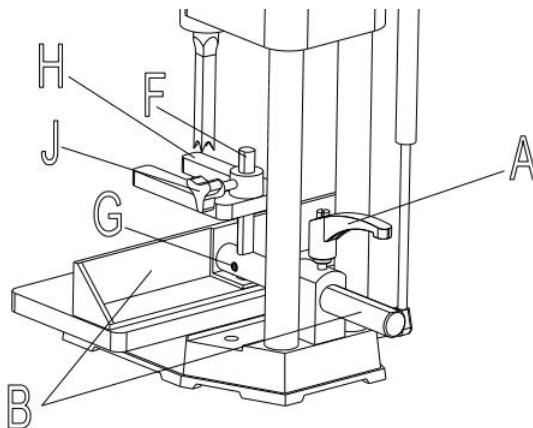


Fig. 7

30.Sätt in stängselenhetens stång (E) Fig. 7, genom hålet i kolumnen enligt bilden.

Dra åt handtaget (C) mot plan på stängselstången för att hålla stängslet på plats. OBS: Handtaget (C) är fjäderbelastat och kan återplaceras på dubben som är placerad under handtaget genom att dra ut handtaget och flytta det på dubben.

31.Sätt in stång (F) Fig. 7, i hålet ovanpå staketet enligt bilden, och dra åt setet

skruva (G) mot plan på stången (F).

32.Montera hållaren ner (H) Fig. 7, på stången (F) som visas, och dra åt ställskruv (J) mot plan på stången .

●VERKTYGS- OCH MEJSELHÅLLARE .

15.Montera verktyget och mejselhållaren (A) Fig8, vid sidan av kolumnen med hjälp av de två

M6x1x25mm skruvar (B) och M6 plana brickor enligt bilden.

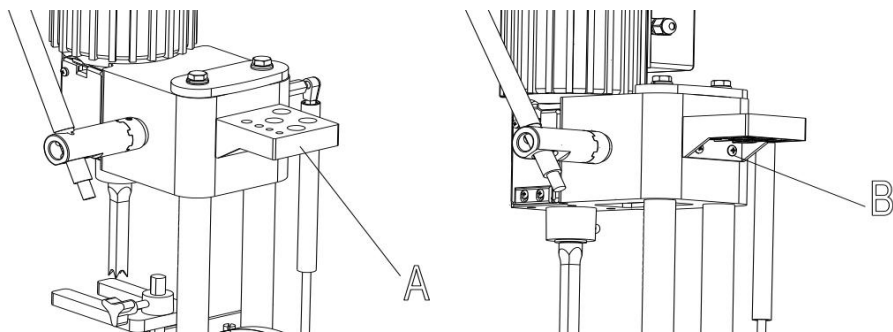


Fig 8

16.Illustrerar chucknyckeln, skiftnyckeln och stämjärn och bitar i hålen på verktyget och

mejselhållare (A) när den inte används .

●HÖJA OCH SÄNKA HUVUDET .

Huvudet (A) Fig. 9, höjs och sänks med hjälp av spaken (B). För maximal hävstång under insticksoperationen kan spaken (B) flyttas om genom att dra ut navet (C) på spakenheten och flytta navet på kugghjulsaxeln .

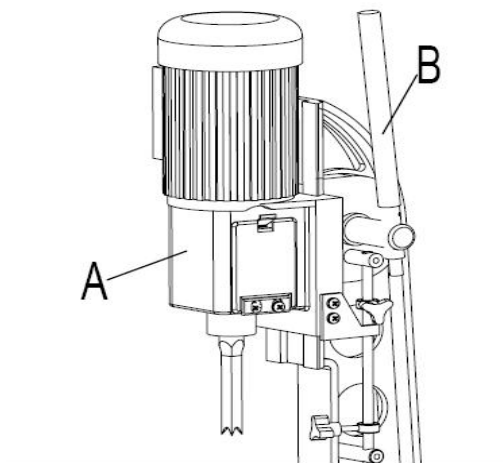


Fig. 9

●STÄNGSEL .

Stängslet (A) Fig10, kan flyttas in eller ut genom att lossa spaken (B), skjuta staketet till önskat läge och åtdragningsspaken (B). OBS: Spaken (B) är fjäderbelastad och kan flyttas om genom att dra ut spaken och flytta den på den tandade muttern som finns under spaken .

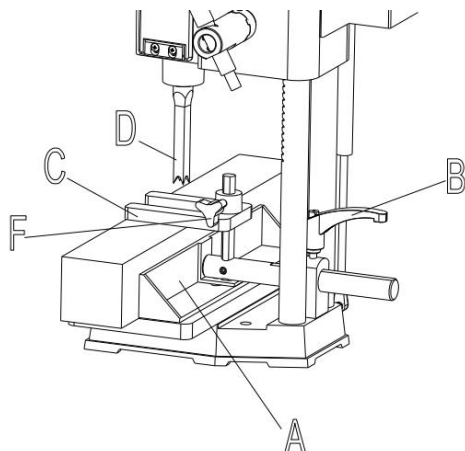


Fig. 10

●DJUP STOPP .

En djupstoppstyrning (A) Fig. 11 tillhandahålls för att begränsa mejselns (B) djup. För att justera djupstoppsguiden (A), lossa skruven (C) och sänk huvudet tills mejseln (B) är på önskat djup. Sänk djupstoppstyrningen (A) tills den är på önskat djup, dra åt skruven (C).

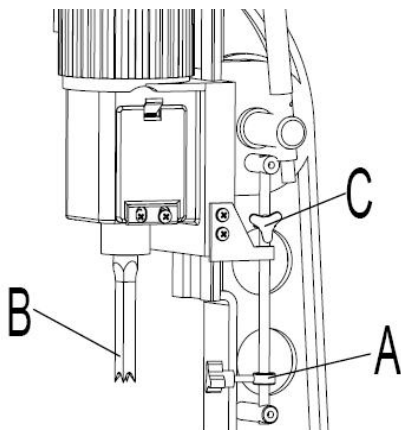


Fig. 11

●INSTALLERA MEJSEL & BIT .

36. Lossa låsskruven, som visas i figur 12 .

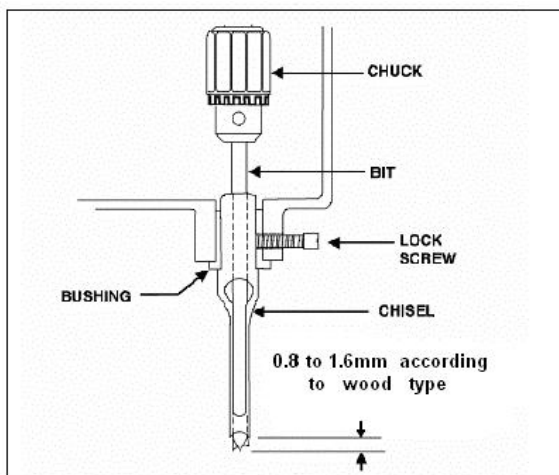


Fig. 12

37. Sätt in mejselbussning (med hålet vänt framåt) i huvudet. Dra åt skruven tillräckligt mycket för att hålla mejseln på plats.

OBS: Ställ in skåran i sidan av mejseln *till vänster eller höger*, INTE fram eller bak. Detta kommer att tillåta spån att fly när du skär hål .

38. Skjut upp mejseln så långt in i huvudet som möjligt. Sänk sedan mejseln cirka 0,8 mm till 1,6 mm, beroende på vilken typ av trä som bearbetas. Dra åt skruven för att hålla mejseln på plats.
39. Tryck biten upp genom mejselöppningen så långt det går. Lås borren på plats med chucknyckeln.
40. Lossa skruven och tryck upp mejseln mot bussningen, dra sedan åt skruven. Detta bör ge det rätta avståndet mellan mejselns spetsar och borrhkronan.

MAINTENANCE

- Mortiser kräver endast mindre underhåll, såsom rengöring och smörjning och rutinjustering och slipning av mejsel och bit.
- Damma ner maskinen efter varje användning och använd lätt vid behov applicering av olja eller fett för att smörja länkar, rörliga delar etc.

SHARPENING CHISEL & BIT

Mejslar och borrh ska hållas vassa för optimal prestanda. Trubbiga kanter ger felaktiga resultat på tappen och tappen, vilket kan leda till överhettning och brott till mejsel eller bitning. Om mejseln och borrhkronan är mycket slitna och svåra att slipa bör de bytas ut.

- Slipa biten genom att använda en liten, slät fil som följer den ursprungliga formen
av biten. Fila den inre kanten av sporren, sidorna av brad-spetsen och skäreggen inåt mot spåret på borrhkronan. Se fig 13 . Fila inte ytterkanten av sporren eftersom detta påverkar borrhkronans diameter.

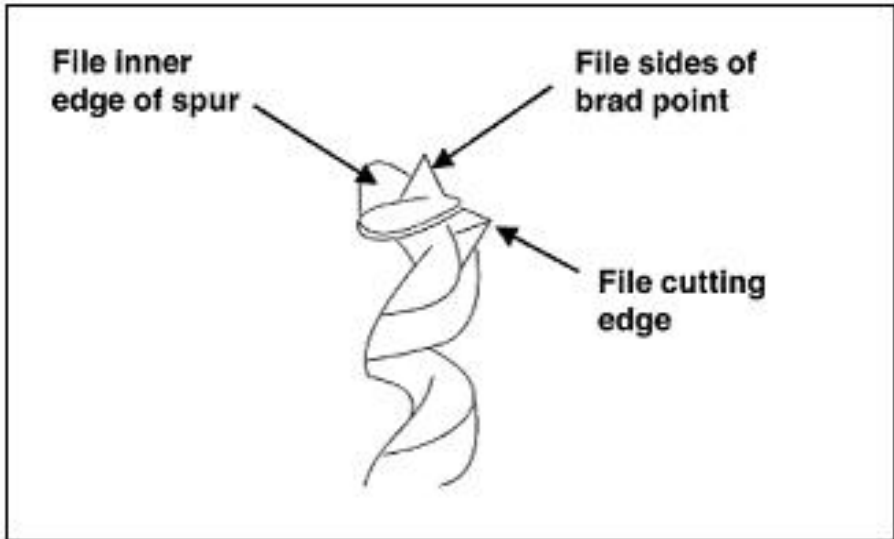


Fig 13

- Slipa mejseln med en tappmejsel med rätt storlek guide. (Pilotstorleken kommer att variera beroende på mejseln storlek). Två till tre varv av fräsen i snickarfästechucken räcker för att slipa mejseln, som visas i figur 14 .

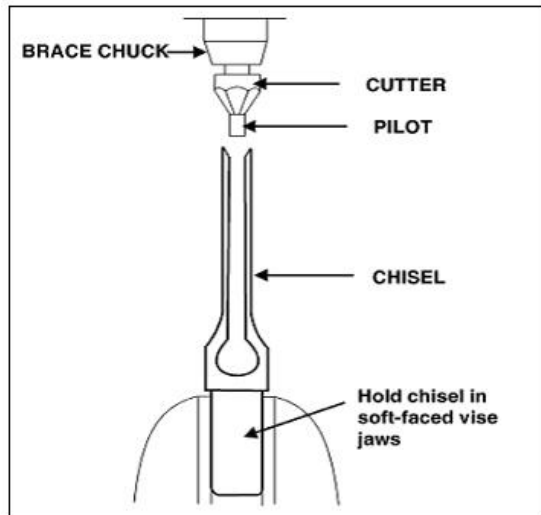


Fig 14

- Använd en liten, triangulär, slät fil för att avlasta de inre hörnen av mejsel. Se Fig. 15. Ta bort eventuella grader från utsidan av mejseln med en fin oljsten.

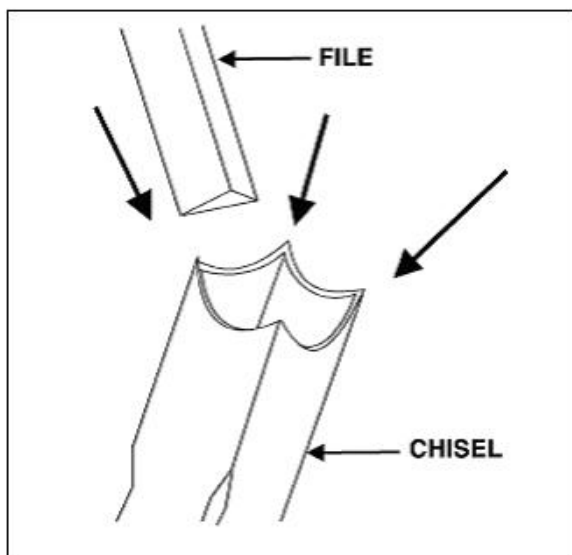
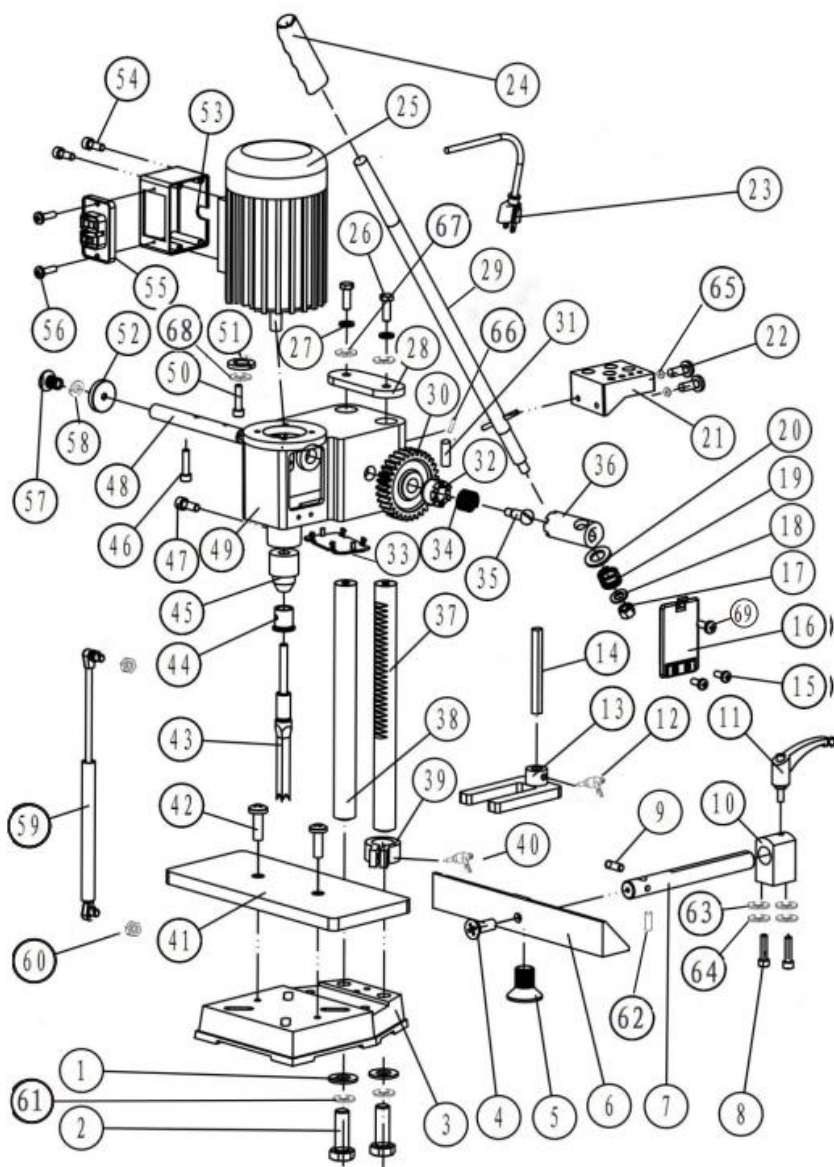


Fig 15

Delardigram



DELLISTA

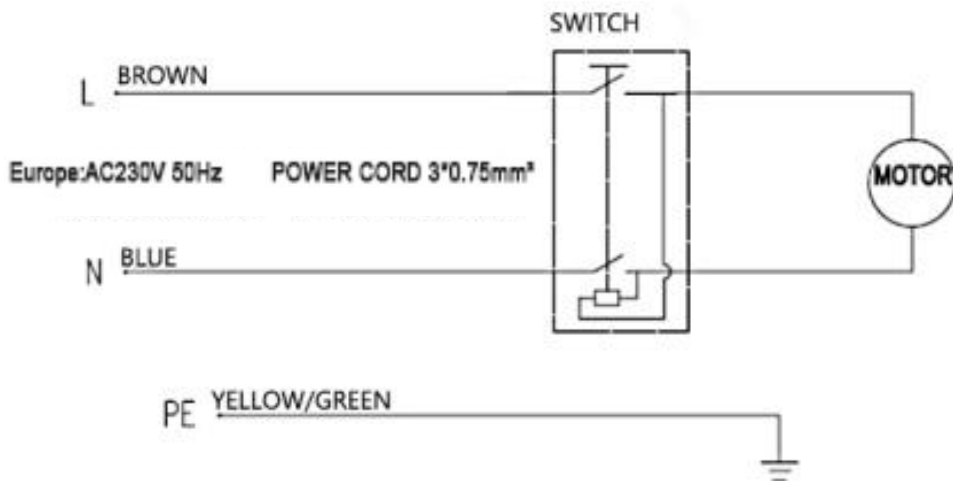
INGA.	BESKRIVNING	ANT AL
1	LÅSBRICKA	2
2	BULT	2
3	BAS	1
4	SKRUVA	1
5	SKRUVA	1
6	STAKET	1
7	GUIDE COLUM	1
8	SKRUVA	2
9	SKRUVA	1
10	GUIDEFÄSTE	1
11	LÅS HANDTAG	1
12	LÅS HANDTAG	1
13	HÅLL NER KLÄMMEN	1
14	GUIDE COLUM	1
15	SKRUVA	4
16	TÄCKA	2
17	MUTTER	1
18	LÅSBRICKA	1
19	FJÄDRA	1
20	LÅSBRICKA	1
21	VERKTYGSSTÄLLARE	1
22	SKRUVA	2
23	ELSLAD	1
24	HANDTAG HANDSKAR	1
25	MOTOR	1
26	SKRUVA	2
27	BRUCKOR	2
28	STEPPLATTA	1

INGA	BESKRIVNING	ANT AL
36	ANSLUTNINGSBÖJNING B	1
37	UTVECKLINGSPOLUMN	1
38	GUIDEKOLUMN	1
39	DJUP SET GUIDE	1
40	LÅS HANDTAG	1
41	TRÄBORD	1
42	SKRUVA	2
43	MEJSEL	3
44	MEJSELBUSSE	1
45	CHUCK	1
46	SKRUVA	1
47	SKRUVA	1
48	KÄXEL	1
49	VÄXELHÅLL	1
50	SKRUVA	4
51	LÅSBRICKA	4
52	TÄCKA	1
53	KOPPLINGSLÅDA	1
54	SKRUVA	4
55	VÄXLA	1
56	SKRUVA	2
57	SKRUVA	1
58	BRUCKOR	1
59	GAS FJÄDER	1
60	MUTTER	2
61	BRUCKOR	2
62	STIFT	1
63	LÅSBRICKA	2

29	HANTERA	1
30	REDSKAP	1
31	STIFT	1
32	ANSLUTNINGSBÖJNING A	1
33	TÄCKA	1
34	FJÄDRA	1
35	SKRUVA	1

64	BRUCKOR	2
65	LÄSBRICKA	2
66	STIFT	1
67	LÄSBRICKA	2
68	BRUCKOR	4
69	SKRUVA	2
70	STIFT	1

WIRING DIAGRAM



ACCESSORIES LIST

SKU: [FSJ36127A3F340001V2](#)

- 162.Instruktioner *1**
- 163.1/4 mejsel *1**
- 164.3/8 stämjärn * 1**
- 165.1/2 mejsel * 1**
- 166.Borrchuckar *1**
- 167.Gjutjärnsstängsel *1**
- 168.Insexnyckel *3**
- 169.Handtagsstång *1**
- 170.Handtag *1**
- 171.Handtagsstångsskruv sexkant M6*20 *1**
- 172.vertikal axel *1**
- 173.Tryck på block *1**
- 174.Spak *1**
- 175.Spinnerståte + skruvar *1**
- 176.Verktgshållare *1**
- 177.Verktgshållare skruvar M6*16 + plana brickor *2**
- 178.Borrnycklar *1**
- 179.Glasögon *1**
- 180.Borra klämaxel *1**
- 181.Träskivskruvar M8*20 *2**
- 182.Vänster och höger gränsspakar *2**
- 183.Gränshylsa + skiftnyckel *2**
- 184.Arbeitsbrädor av trä *1**

SKU: FSJMS36127A3F0001V2

- 134. Instruktioner *1
- 135. 1/4 mejsel *1
- 136. 3/8 stämjärn * 1
- 137. 1/2 mejsel * 1
- 138. Borrchuckar *1
- 139. Gjutjärnsstängsel *1
- 140. Insexnyckel *3
- 141. Arbetsbänk i trä *1
- 142. Borra kortaxel *1
- 143. Handtagsstång *1
- 144. Chucknyckel *1
- 145. Arbetsbänksskruvar M8*26 skruvar *2
- 146. Justerbart styre *1
- 147. Tryck på block *1
- 148. vertikal axel *1
- 149. Verktygshållare *1
- 150. Verktygshållare skruvar M6*16 + distanser *2
- 151. Handtagsstångsanslutningshylsa *1
- 152. Handtagsstångsskriv sexkant M6*20 *1

SKU: FSJ36127A3F120001V2

- 141. Instruktioner *1
- 142. 1/4 mejsel *1
- 143. 3/8 mejsel * 1
- 144. 1/2 mejsel * 1
- 145. Borrchuckar *1
- 146. Gjutjärnsstängsel *1

- 147. **Insexnyckel *3**
- 148. **Arbetsbänk i trä *1**
- 149. **Borra kortaxel *1**
- 150. **Handtagsstång *1**
- 151. **Chucknyckel *1**
- 152. **Arbetsbänksskruvar M8*26 skruvar *2**
- 153. **Justerbart styre *1**
- 154. **Tryck på block *1**
- 155. **vertikal axel *1**
- 156. **Verktgshållare *1**
- 157. **Verktgshållare skruvar M6*16 + distanser *2**
- 158. **Handtagsstånganslutningshylsa *1**
- 159. **Spinnersäte + skruvar *1**
- 160. **Glasögon *1**



Please dispose of packaging for the product in a responsible manner. It is suitable for recycling. Help to protect the environment, take the packaging to the local amenity tip and place into the appropriate recycling bin.



Only for EU countries

Do not dispose of electric tools together with household waste material!

In observance of European Directive 2002/96/EC on waste electrical and electronic equipment and its implementation in accordance with national law, electric tools that have reached the end of their life must be collected separately and returned to an environmentally compatible recycling facility.

Adress: Baoshanqu Shuangchenglu 803long 11hao 1602A-1609shi
Shanghai

Importerad till AUS: SIHAO PTY LTD, 1 ROKEVA STREETEASTWOOD
NSW 2122 Australien

Importerad till USA: Sanven Technology Ltd., Suite 250, 9166 Anaheim
Place, Rancho Cucamonga, CA 91730



Pooledas Group Ltd
Unit 5 Albert Edward House, The Pavilions
Preston, United Kingdom



SHUNSHUN GmbH
Römeräcker 9 Z2021, 76351
Linkenheim-Hochstetten, Germany

Tillverkad i Kina

VEVOR[®]

TOUGH TOOLS, HALF PRICE

Teknisk Support och e-garanticertifikat

www.vevor.com/support