

VEVOR[®]

TOUGH TOOLS, HALF PRICE

Technical Support and E-Warranty Certificate

www.vevor.com/support

HYDRAULIC GEAR PUMP

**MODEL: YYPMB11GPM / YYPMB13GPM /
YYPMB22GPM+25 / YYPMB22GPM / CLB13GPM /
CLB16GPM / CLB16+25**

We continue to be committed to provide you tools with competitive price.

"Save Half", "Half Price" or any other similar expressions used by us only represents an estimate of savings you might benefit from buying certain tools with us compared to the major top brands and does not necessarily mean to cover all categories of tools offered by us. You are kindly reminded to verify carefully when you are placing an order with us if you are actually saving half in comparison with the top major brands.

VEVOR[®]

TOUGH TOOLS, HALF PRICE

HYDRAULIC GEAR PUMP

MODEL: YYPMB11GPM / YYPMB13GPM / YYPMB22GPM+25 / YYPMB22GPM
/ CLB13GPM / CLB16GPM / CLB16+25



NEED HELP? CONTACT US!

Have product questions? Need technical support? Please feel free to contact us:

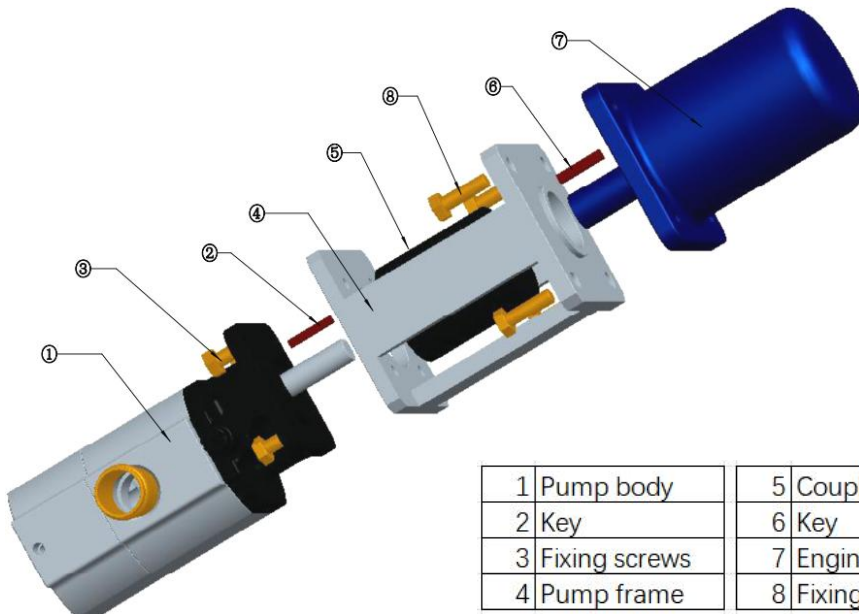
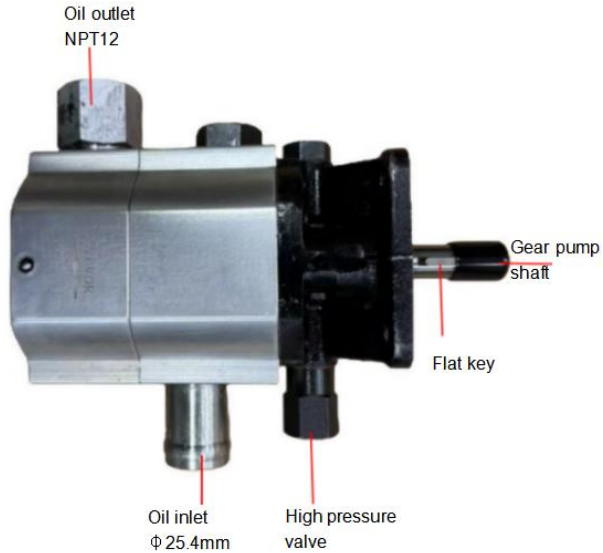
Technical Support and E-Warranty Certificate
www.vevor.com/support

This is the original instruction, please read all manual instructions carefully before operating. VEVOR reserves a clear interpretation of our user manual. The appearance of the product shall be subject to the product you received. Please forgive us that we won't inform you again if there are any technology or software updates on our product.

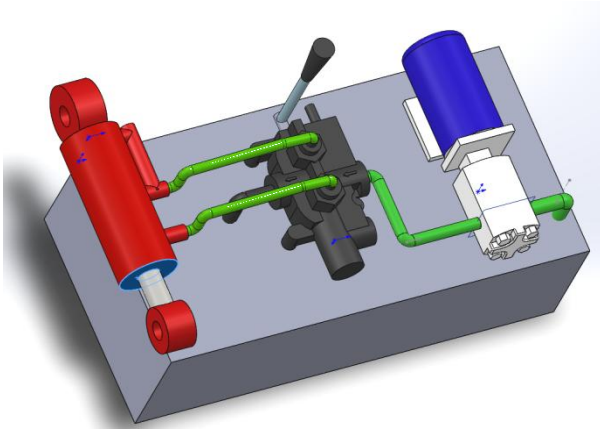


Warning-To reduce the risk of injury, user must read instructions manual carefully.

INSTALLATION GUIDELINES



1	Pump body	5	Coupling
2	Key	6	Key
3	Fixing screws	7	Engine
4	Pump frame	8	Fixing screws

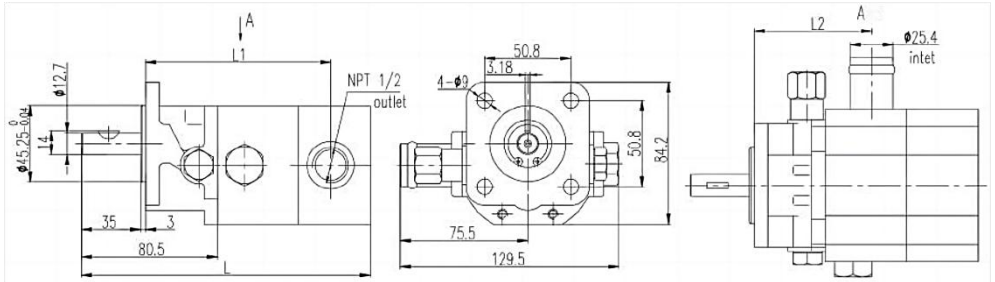


1. Secure the coupling to the engine.
2. Connect the pump bracket to the engine flange.
3. Fix the gear pump onto the pump frame and connect it to the coupling (note that the single key inside cannot fall out)
4. Connect the oil suction pipe to the fuel tank and secure it with a pipe clamp.
5. The connection between the oil outlet and the high-pressure oil port of the multi way valve is complete.

SPECIFICATIONS

Model	Flow(GPM) 3600r/min	Pressure (PSI)		Displacement (cu.in/r)		Speed (rpm)	D (mm)	
		Lo	Hi	Lo	Hi		Inlet	Outlet
YYPMB11GPM	11	400 /900	3000	0.537	0.220	3600	1 in Pipe	1/2 NPT
CLB13GPM	13	400/900	3000	0.665	0.220			
YYPMB13GPM	13	400/900	4000	0.665	0.256			
CLB16GPM	16	400/900	4000	0.793	0.265			
CLB16+25	16	400/900	4000	0.793	0.265			

DIMENSION

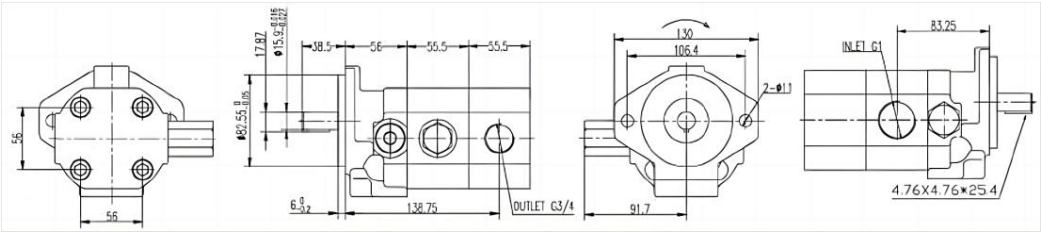


Model	Dimension (inches)		
	L	L1	L2
YYPMB11GPM	6.61	4.24	2.74
CLB13GPM	6.9	4.53	3.04
YYPMB13GPM	6.9	4.53	3.04
CLB16GPM	6.9	4.53	3.04
CLB16+25	6.9	4.53	3.04

SPECIFICATIONS

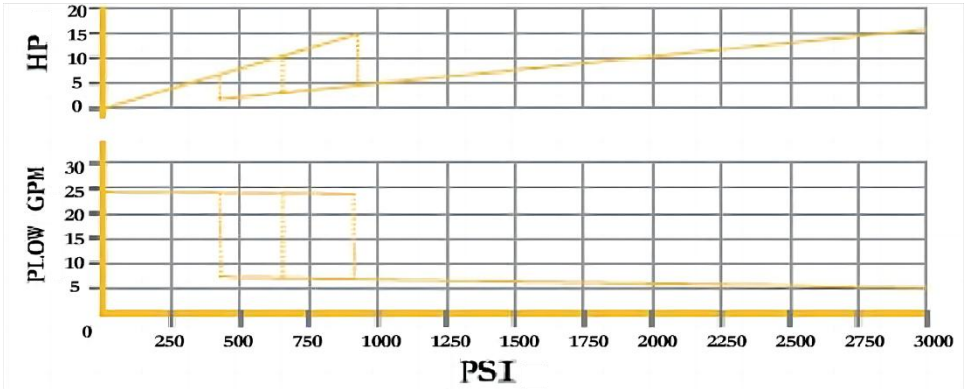
Model	Flow(GPM) 3600r/min	Pressure (PSI)		Displacement (cu.in/r)		Speed (rpm)	D (mm)	
		Lo	Hi	Lo	Hi		Inlet	Outlet
YYPMB22GPM+25	22	400/900	3000	0.93	0.465	3600	NPTF 1 G1	NPTF3/4 G3/4
YYPMB22GPM	22	400/900	3000	0.93	0.465			

DIMENSION



PERFORMANCE CURVES

YYPMB22GPM



PARTS LIST

Model	Parts List
YYPMB11GPM, YYPMB22GPM, CLB13GPM, CLB16GPM	1. Wrench * 1; 2. Flat key * 1; 3. Teflon tape* 1
YYPMB13GPM	1. Coupling * 1; 2. Installation base * 1; 3. Bolt * 4; 4. Wrench * 1; 5. Key * 1; 6. Teflon tape* 1;
YYPMB22GPM+25	1. Coupling * 1; 2. Installation base * 1; 3. Bolt * 4; 4. Brake valve * 1 5. Wrench * 1; 6. Key * 1; 7. Teflon tape* 1;
CLB16+25	1. Brake valve; 2. Wrench * 1; 3. Flat key * 1; 4. Teflon tape* 1

Address: Baoshanqu Shuangchenglu 803long 11hao 1602A-1609shi
Shanghai

Imported to AUS: SIHAO PTY LTD. 1 ROKEVA STREET EASTWOOD
NSW 2122 Australia

Imported to USA: Sanven Technology Ltd. Suite 250, 9166 Anaheim
Place, Rancho Cucamonga, CA 91730

EC	REP	SHUNSHUN GmbH Römeräcker 9 Z2021, 76351 Linkenheim-Hochstetten, Germany
-----------	------------	---

UK	REP	Pooledas Group Ltd Unit 5 Albert Edward House, The Pavilions Preston, United Kingdom
-----------	------------	--

Made In China

VEVOR[®]

TOUGH TOOLS, HALF PRICE

Technical Support and E-Warranty Certificate

www.vevor.com/support

VEVOR[®]

TOUGH TOOLS, HALF PRICE

Technique Assistance et certificat de garantie électronique

www.vevor.com/support

POMPE À ENGRENAGES HYDRAULIQUE

**MODÈLE : YYPMB11GPM / YYPMB13GPM /
YYPMB22GPM+25 / YYPMB22GPM / CLB13GPM /
CLB16GPM / CLB16+25**

We continue to be committed to provide you tools with competitive price.

"Save Half", "Half Price" or any other similar expressions used by us only represents an estimate of savings you might benefit from buying certain tools with us compared to the major top brands and does not necessarily mean to cover all categories of tools offered by us. You are kindly reminded to verify carefully when you are placing an order with us if you are actually saving half in comparison with the top major brands.

VEVOR[®]

TOUGH TOOLS, HALF PRICE

HYDRAULIC GEAR PUMP

MODÈLE : YYPMB11GPM / YYPMB13GPM / YYPMB22GPM+25 /
YYPMB22GPM / CLB13GPM / CLB16GPM / CLB16+25



NEED HELP? CONTACT US!

Have product questions? Need technical support? Please feel free to contact us:

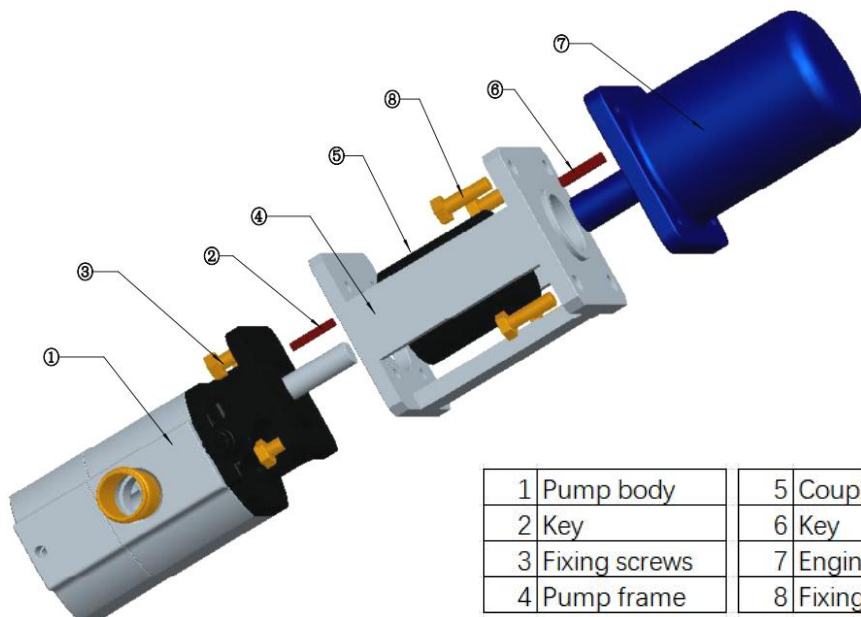
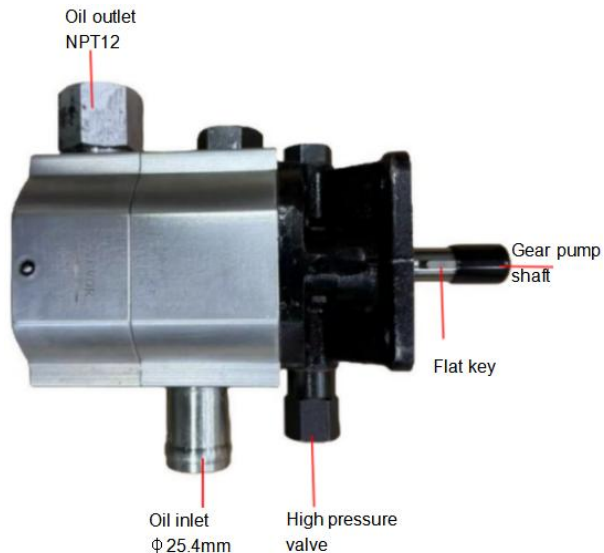
Technical Support and E-Warranty Certificate
www.vevor.com/support

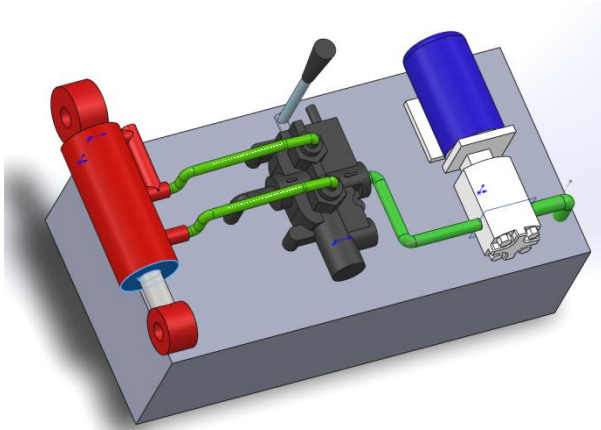
This is the original instruction, please read all manual instructions carefully before operating. VEVOR reserves a clear interpretation of our user manual. The appearance of the product shall be subject to the product you received. Please forgive us that we won't inform you again if there are any technology or software updates on our product.



Avertissement : Pour réduire le risque de blessure, l'utilisateur doit lire attentivement le manuel d'instructions.

INSTALLATION GUIDELINES



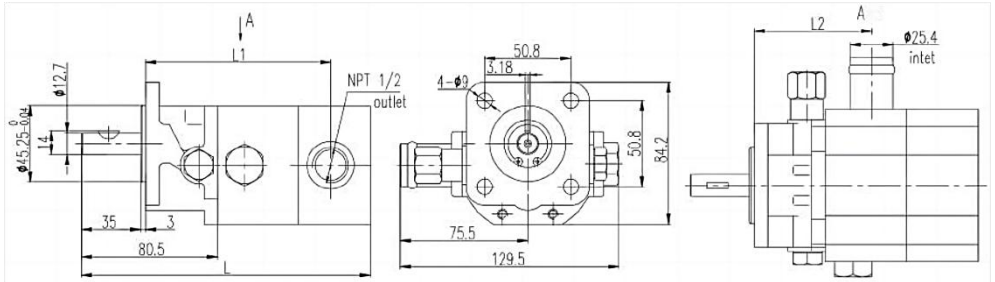


1. Fixez l'accouplement au moteur.
2. Connectez le support de pompe à la bride du moteur.
3. Fixez la pompe à engrenages sur le cadre de la pompe et connectez-la à l'accouplement (notez que la clé unique à l'intérieur ne peut pas tomber)
4. Connectez le tuyau d'aspiration d'huile au réservoir de carburant et fixez-le avec un collier de serrage.
5. La connexion entre la sortie d'huile et le port d'huile haute pression de la vanne multivoies est terminée.

SPECIFICATIONS

Modèle	Débit (GPM) 3600r/min	Pression (PSI)		Déplacement (c u.in/r)		Vitesse (tr/min)	D (mm)	
		Lo	Salut	Lo	Salut		Entrée	Sortie
YYPMB11GPM	11	400/900	3000	0,537	0,220	3600	1 dans le tuyau	1/2 TNP
CLB13GPM	13	400/900	3000	0,665	0,220			
YYPMB13GPM	13	400/900	4 000	0,665	0,256			
CLB16GPM	16	400/900	4 000	0,793	0,265			
BEC16+25	16	400/900	4 000	0,793	0,265			

DIMENSION

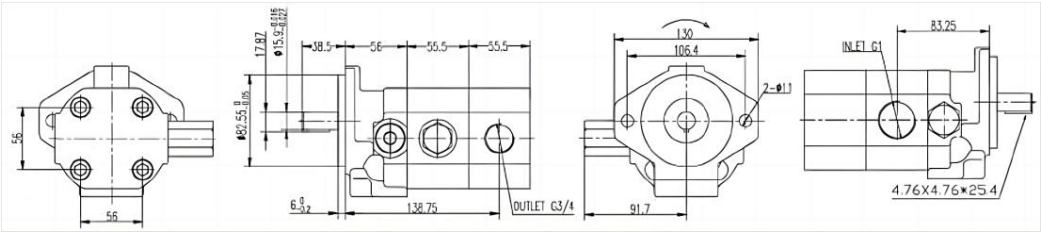


Modèle	Dimension (pouces)		
	L	L1	L2
YYPMB11GPM	6.61	4.24	2.74
CLB13GPM	6.9	4.53	3.04
YYPMB13GPM	6.9	4.53	3.04
CLB16GPM	6.9	4.53	3.04
BEC16+25	6.9	4.53	3.04

SPECIFICATIONS

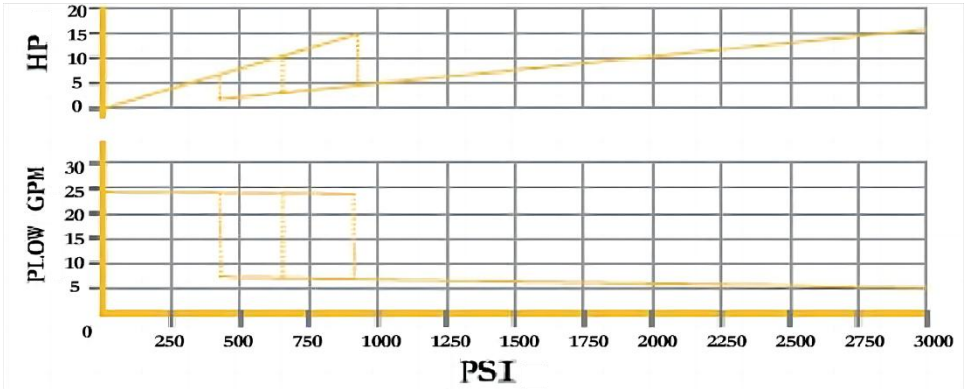
Modèle	Débit (GPM) 3600 tr/min	Pression (PSI)		Déplacement (c.u.in/r)		Vitesse (tr/min)	D (mm)	
		Lo	Salut	Lo	Salut		Entrée	Sortie
YYPMB22GPM+25	22	400/900	3000	0,93	0,465	3600	FNP 1 G1	NPTF3/4 G3/4
YYPMB22GPM	22	400/900	3000	0,93	0,465			

DIMENSION



PERFORMANCE CURVES

YYPMB22GPM



PARTS LIST

Modèle	Liste des pieces
YYPMB11GPM , YYPMB22GPM , CLB13GPM , CLB16GPM	1. Clé * 1 ; 2. Clé plate * 1 ; 3. Ruban téflon* 1
YYPMB13GPM	1. Couplage * 1 ; 2. Base d'installation * 1 ; 3. Boulon * 4 ; 4. Clé * 1 ; 5. Clé * 1 ; 6. Ruban téflon* 1 ;
YYPMB22GPM+25	1. Couplage * 1 ; 2. Base d'installation * 1 ; 3. Boulon * 4 ; 4. Valve de frein * 1 5. Clé * 1 ; 6. Clé * 1 ; 7. Ruban téflon* 1 ;
BEC16+25	1. Valve de frein ; 2. Clé * 1 ; 3. Clé plate * 1 ; 4. Ruban téflon* 1

Adresse : Baoshanqu Shuangchenglu 803long 11hao 1602A-1609shi
Shanghai

Importé en Australie : SIHAO PTY LTD . 1 ROKEVA STREETASTWOOD
NSW 2122 Australie

Importé aux États-Unis : Sanven Technology Ltd. Bureau 250, 9166
Anaheim Place, Rancho Cucamonga, CA 91730

EC	REP	SHUNSHUN GmbH Römeräcker 9 Z2021, 76351 Linkenheim-Hochstetten, Germany
-----------	------------	---

UK	REP	Pooledas Group Ltd Unit 5 Albert Edward House, The Pavilions Preston, United Kingdom
-----------	------------	--

Fabriqué en Chine

VEVOR[®]

TOUGH TOOLS, HALF PRICE

Technique Assistance et certificat de garantie électronique

www.vevor.com/support

VEVOR[®]

TOUGH TOOLS, HALF PRICE

Technisch Support- und E-Garantiezertifikat

www.vevor.com/support

HYDRAULISCHE ZAHNRADPUMPE

**MODELL: YYPMB11GPM / YYPMB13GPM /
YYPMB22GPM+25 / YYPMB22GPM / CLB13GPM /
CLB16GPM / CLB16+25**

We continue to be committed to provide you tools with competitive price.

"Save Half", "Half Price" or any other similar expressions used by us only represents an estimate of savings you might benefit from buying certain tools with us compared to the major top brands and does not necessarily mean to cover all categories of tools offered by us. You are kindly reminded to verify carefully when you are placing an order with us if you are actually saving half in comparison with the top major brands.

VEVOR®

TOUGH TOOLS, HALF PRICE

HYDRAULIC GEAR PUMP

MODELL: YYPMB11GPM / YYPMB13GPM / YYPMB22GPM+25 /
YYPMB22GPM / CLB13GPM / CLB16GPM / CLB16+25



NEED HELP? CONTACT US!

Have product questions? Need technical support? Please feel free to contact us:

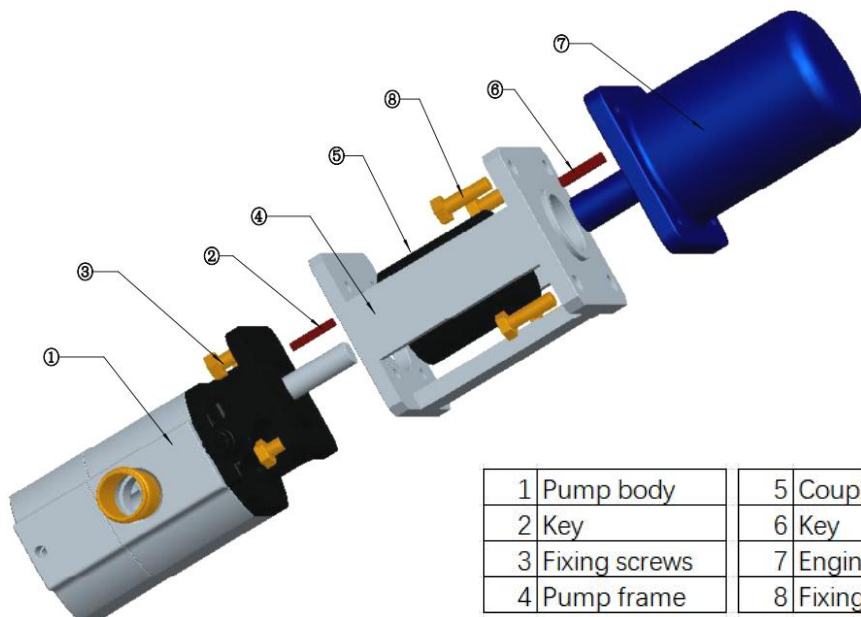
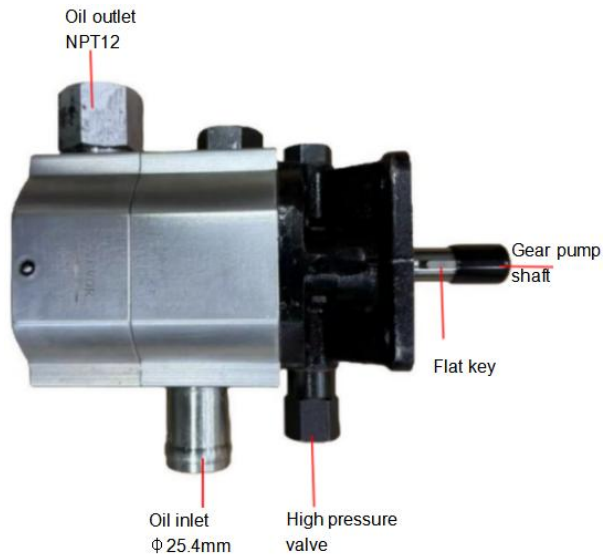
Technical Support and E-Warranty Certificate
www.vevor.com/support

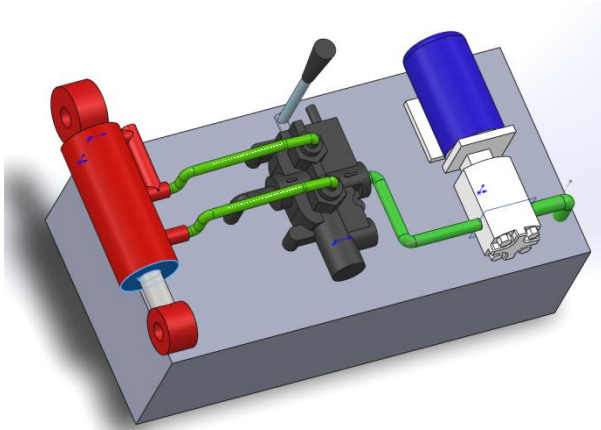
This is the original instruction, please read all manual instructions carefully before operating. VEVOR reserves a clear interpretation of our user manual. The appearance of the product shall be subject to the product you received. Please forgive us that we won't inform you again if there are any technology or software updates on our product.



Warnung: Um das Verletzungsrisiko zu verringern, muss der Benutzer die Bedienungsanleitung sorgfältig lesen.

INSTALLATION GUIDELINES



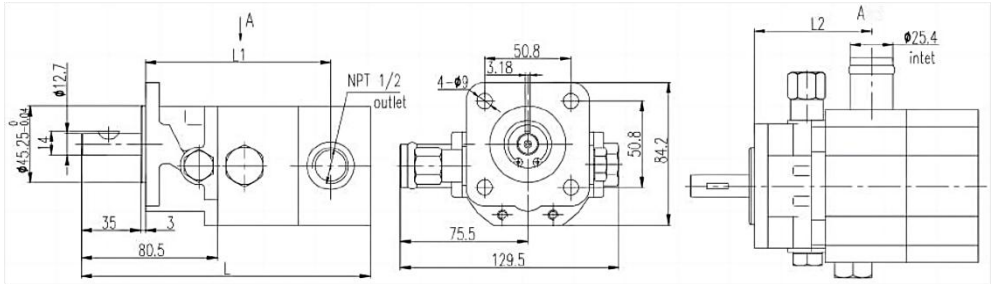


1. Befestigen Sie die Kupplung am Motor.
2. Befestigen Sie die Pumpenhalterung am Motorflansch.
3. Befestigen Sie die Zahnradpumpe am Pumpenrahmen und verbinden Sie sie mit der Kupplung (beachten Sie, dass der einzelne Schlüssel im Inneren nicht herausfallen kann).
4. Schließen Sie die Ölsaugleitung an den Kraftstofftank an und befestigen Sie sie mit einer Rohrschelle.
5. Die Verbindung zwischen dem Ölauslass und dem Hochdruckölanschluss des Mehrwegeventils ist hergestellt.

SPECIFICATIONS

Modell	Durchfluss (GPM) 3600 U/min	Druck (PSI)		Verschiebung (c u.in/r)		Geschwindigkeit (U/min)	D (mm)	
		Siehe	Hallo	Siehe	Hallo		Einlass	Auslauf
YYPMB11GPM	11	400/900	3000	0,537	0,220	3600	1 in Rohr	1/2 NVV
CLB13GPM	13	400/900	3000	0,665	0,220			
YYPMB13GPM	13	400/900	4 000	0,665	0,256			
CLB16GPM	16	400/900	4 000	0,793	0,265			
CLB16+25	16	400/900	4 000	0,793	0,265			

DIMENSION

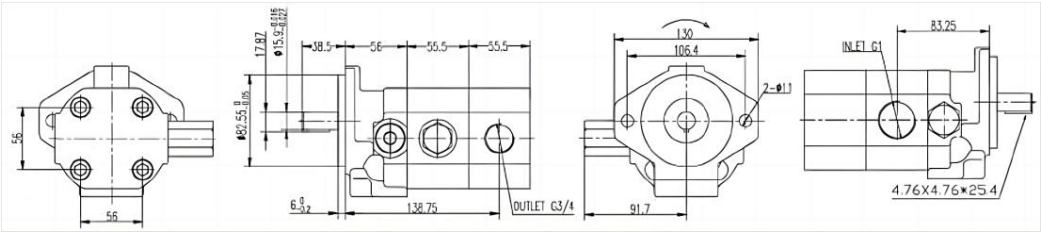


Modell	Abmessungen (Zoll)		
	L	L1	L2
YYPMB11GPM	6.61	4.24	2,74
CLB13GPM	6.9	4.53	3.04
YYPMB13GPM	6.9	4.53	3.04
CLB16GPM	6.9	4.53	3.04
CLB16+25	6.9	4.53	3.04

SPECIFICATIONS

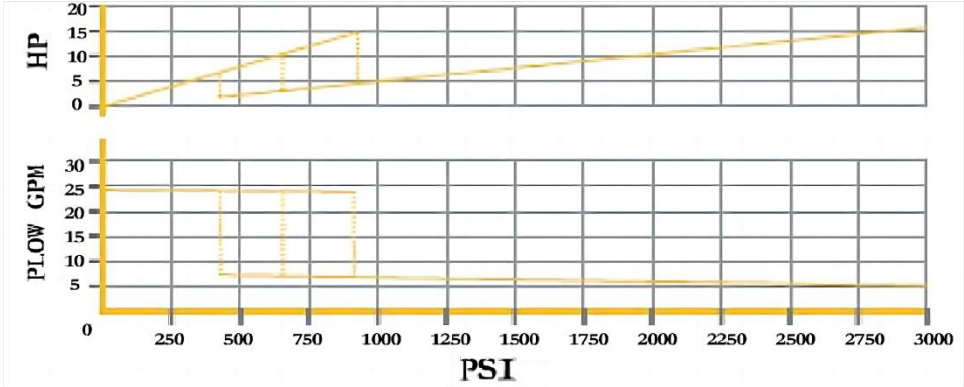
Modell	Durchfluss (GPM) 3600 U/min	Druck (PSI)		Verschiebung (c u.in/r)		Geschwindigkeit (U/min)	D (mm)	
		Siehe	Hallo	Siehe	Hallo		Einlass	Auslauf
YYPMB22GPM+25	22	400/900	3000	0,93	0,465	3600	NPTF	NPTF3/4
YYPMB22GPM	22	400/900	3000	0,93	0,465		1 G1	G3/4

DIMENSION



PERFORMANCE CURVES

YYPMB22GPM



PARTS LIST

Modell	Liste der Einzelteile
YYPMB11GPM , YYPMB22GPM , CLB13GPM , CLB16GPM	1. Schraubenschlüssel * 1; 2. Flachschlüssel * 1; 3. Teflonband* 1
YYPMB13GPM	1. Kupplung * 1; 2. Installationsbasis * 1; 3. Bolzen * 4; 4. Schraubenschlüssel * 1; 5. Schlüssel * 1; 6. Teflonband* 1;
YYPMB22GPM+25	1. Kupplung * 1; 2. Installationsbasis * 1; 3. Bolzen * 4; 4. Bremsventil * 1 5. Schraubenschlüssel * 1; 6. Schlüssel * 1; 7. Teflonband* 1;
CLB16+25	1. Bremsventil; 2. Schraubenschlüssel * 1; 3. Flachschlüssel * 1; 4. Teflonband* 1

Adresse: Baoshanqu Shuangchenglu 803long 11hao 1602A-1609shi
Shanghai

Importiert nach AUS: SIHAO PTY LTD . 1 ROKEVA
STREETEASTWOOD NSW 2122 Australien

Importiert in die USA: Sanven Technology Ltd. Suite 250, 9166 Anaheim
Place, Rancho Cucamonga, CA 91730

EC	REP	SHUNSHUN GmbH Römeräcker 9 Z2021, 76351 Linkenheim-Hochstetten, Germany
-----------	------------	---

UK	REP	Pooledas Group Ltd Unit 5 Albert Edward House, The Pavilions Preston, United Kingdom
-----------	------------	--

In China hergestellt

VEVOR[®]

TOUGH TOOLS, HALF PRICE

Technisch Support- und E-Garantiezertifikat

www.vevor.com/support

VEVOR®

TOUGH TOOLS, HALF PRICE

Tecnico Supporto e certificato di garanzia elettronica

www.vevor.com/support

POMPA IDRAULICA AD INGRANAGGI

**MODELLO: YYPMB11GPM / YYPMB13GPM /
YYPMB22GPM+25 / YYPMB22GPM / CLB13GPM /
CLB16GPM / CLB16+25**

We continue to be committed to provide you tools with competitive price.

"Save Half", "Half Price" or any other similar expressions used by us only represents an estimate of savings you might benefit from buying certain tools with us compared to the major top brands and does not necessarily mean to cover all categories of tools offered by us. You are kindly reminded to verify carefully when you are placing an order with us if you are actually saving half in comparison with the top major brands.

VEVOR®

TOUGH TOOLS, HALF PRICE

HYDRAULIC GEAR PUMP

MODELLO: YYPMB11GPM / YYPMB13GPM / YYPMB22GPM+25 /
YYPMB22GPM / CLB13GPM / CLB16GPM / CLB16+25



NEED HELP? CONTACT US!

Have product questions? Need technical support? Please feel free to contact us:

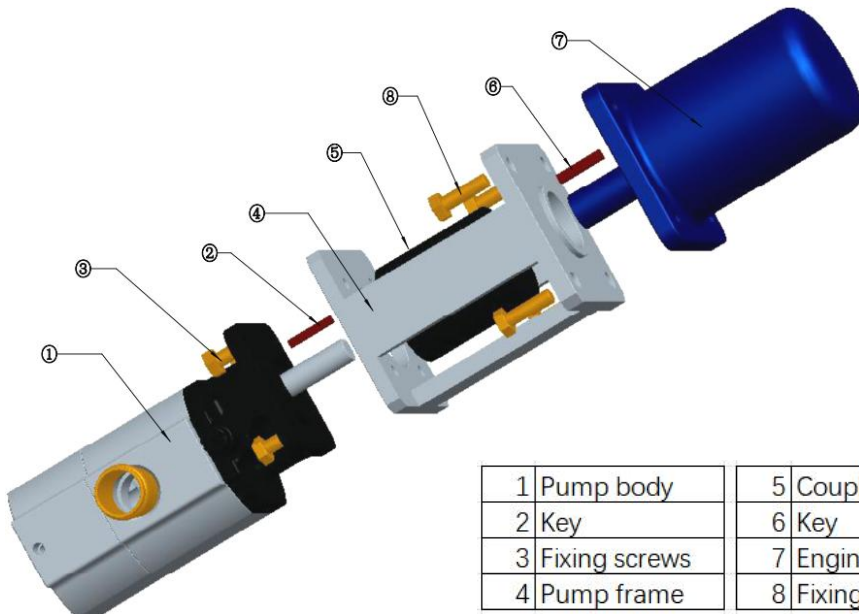
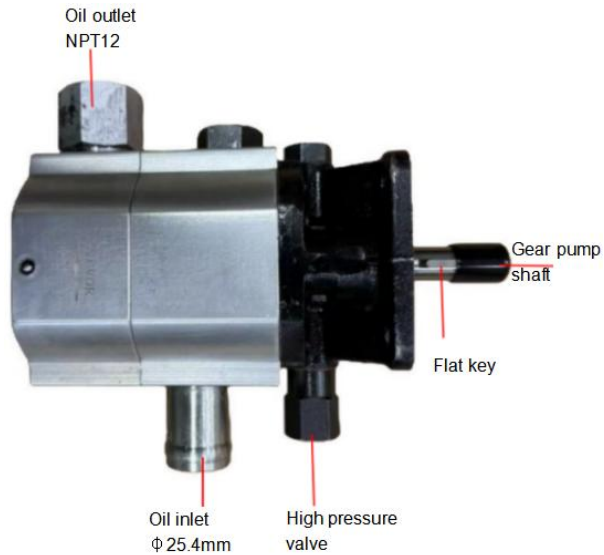
Technical Support and E-Warranty Certificate
www.vevor.com/support

This is the original instruction, please read all manual instructions carefully before operating. VEVOR reserves a clear interpretation of our user manual. The appearance of the product shall be subject to the product you received. Please forgive us that we won't inform you again if there are any technology or software updates on our product.

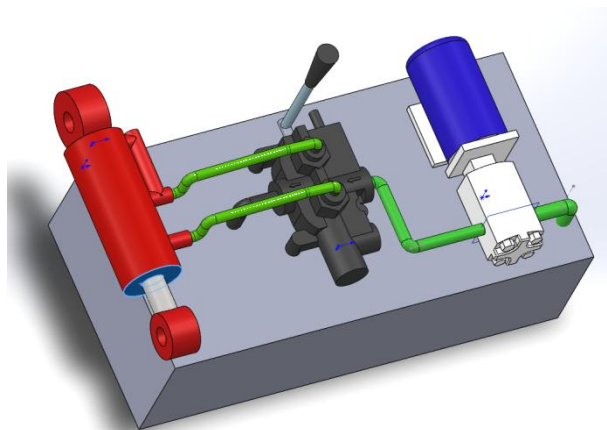


Avvertenza: per ridurre il rischio di lesioni, l'utente deve leggere attentamente il manuale di istruzioni.

INSTALLATION GUIDELINES



1	Pump body	5	Coupling
2	Key	6	Key
3	Fixing screws	7	Engine
4	Pump frame	8	Fixing screws

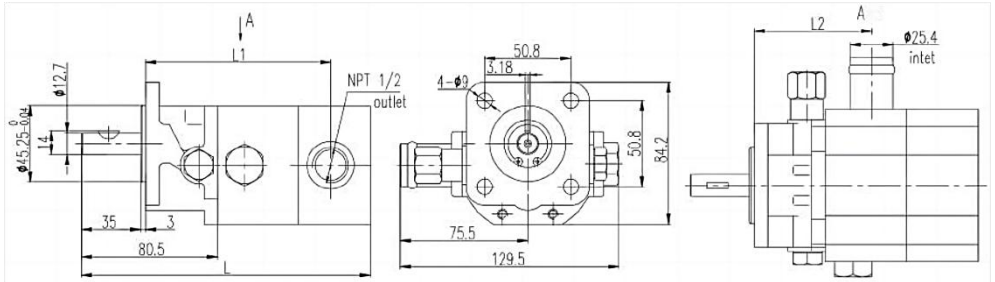


1. Fissare il giunto al motore.
2. Collegare la staffa della pompa alla flangia del motore.
3. Fissare la pompa ad ingranaggi sul telaio della pompa e collegarla all'accoppiamento (notare che la chiave singola all'interno non può cadere)
4. Collegare il tubo di aspirazione dell'olio al serbatoio del carburante e fissarlo con una fascetta stringitubo.
5. Il collegamento tra l'uscita dell'olio e la porta dell'olio ad alta pressione della valvola multidirezionale è completo.

SPECIFICATIONS

Modello	Flusso (GPM) 3600 giri/min	Pressione (PSI)		Dislocamento (cu.in/r)		Velocità (giri/min)	D (mm)	
		Lo	CIAO	Lo	CIAO		Ingresso	Preso
YYPMB11GPM	11	400/900	3000	0,537	0,220	3600	1 nel tubo	1/2 TNP
CLB13GPM	13	400/900	3000	0,665	0,220			
YYPMB13GPM	13	400/900	4 000	0,665	0,256			
CLB16GPM	16	400/900	4 000	0,793	0,265			
CLB16+25	16	400/900	4 000	0,793	0,265			

DIMENSION

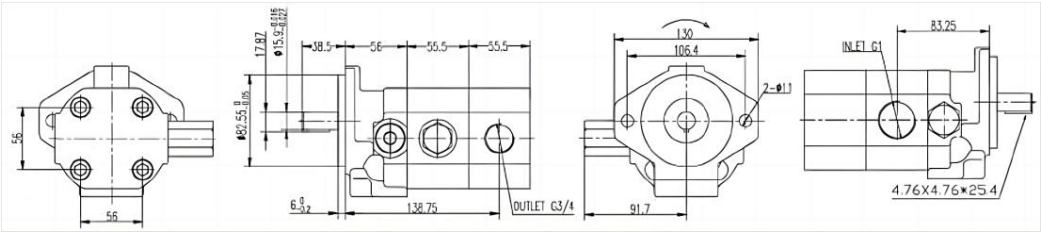


Modello	Dimensione (pollici)		
	I	L1	L2
YYPMB11GPM	6.61	4.24	2.74
CLB13GPM	6.9 _	4.53	3.04
YYPMB13GPM	6.9 _	4.53	3.04
CLB16GPM	6.9 _	4.53	3.04
CLB16+25	6.9 _	4.53	3.04

SPECIFICATIONS

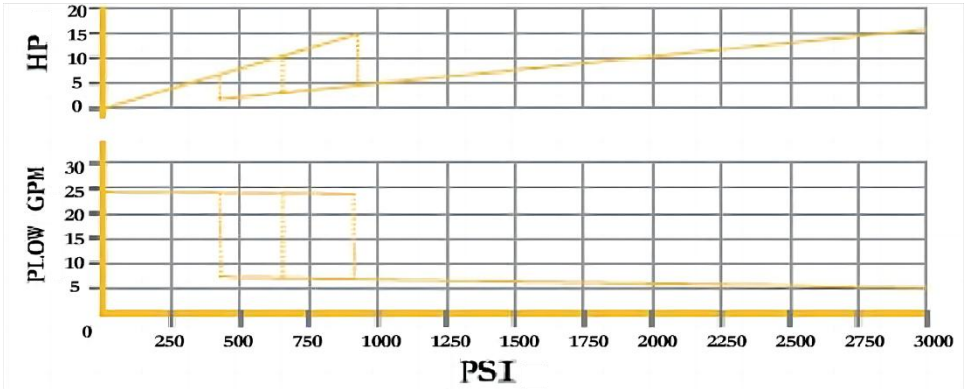
Modello	Flusso (GPM) 3600 giri/min	Pressione (PSI)		Dislocamento (cu.in/r)		Velocità (giri/min)	D (mm)	
		Lo	CIAO	Lo	CIAO		Ingresso	Presa
YYPMB22GPM+25	22	400/900	3000	0,93	0,465	3600	NPTF1 G1	NPTF3/4 G3/4
YYPMB22GPM	22	400/900	3000	0,93	0,465			

DIMENSION



PERFORMANCE CURVES

YYPMB22GPM



PARTS LIST

Modello	Elenco delle parti
YYPMB11GPM , YYSMB22GPM , CLB13GPM , CLB16GPM	1. Chiave inglese * 1; 2. Chiave piatta * 1; 3. Nastro in teflon* 1
YYPMB13GPM	1. Accoppiamento * 1; 2. Base di installazione * 1; 3. Bullone * 4; 4. Chiave inglese * 1; 5. Chiave * 1; 6. Nastro in teflon* 1;
YYPMB22GPM+25	1. Accoppiamento * 1; 2. Base di installazione * 1; 3. Bullone * 4; 4. Valvola del freno * 1 5. Chiave inglese * 1; 6. Chiave * 1; 7. Nastro in teflon* 1;
CLB16+25	1. Valvola freno; 2. Chiave inglese * 1; 3. Chiave piatta * 1; 4. Nastro in teflon* 1

Indirizzo: Baoshanqu Shuangchenglu 803long 11hao 1602A-1609shi
Shanghai

Importato in AUS: SIHAO PTY LTD . 1 ROKEVA STREETEASTWOOD
NSW 2122 Australia

Importato negli Stati Uniti: Sanven Technology Ltd. Suite 250, 9166
Anaheim Place, Rancho Cucamonga, CA 91730

EC	REP	SHUNSHUN GmbH Römeräcker 9 Z2021, 76351 Linkenheim-Hochstetten, Germany
-----------	------------	---

UK	REP	Pooledas Group Ltd Unit 5 Albert Edward House, The Pavilions Preston, United Kingdom
-----------	------------	--

Made in China

VEVOR[®]

TOUGH TOOLS, HALF PRICE

Tecnico Supporto e certificato di garanzia elettronica

www.vevor.com/support

VEVOR[®]

TOUGH TOOLS, HALF PRICE

Técnico Certificado de soporte y garantía electrónica

www.vevor.com/support

BOMBA HIDRÁULICA DE ENGRANAJES

**MODELO: YYPMB11GPM / YYPMB13GPM /
YYPMB22GPM+25 / YYPMB22GPM / CLB13GPM /
CLB16GPM / CLB16+25**

We continue to be committed to provide you tools with competitive price.

"Save Half", "Half Price" or any other similar expressions used by us only represents an estimate of savings you might benefit from buying certain tools with us compared to the major top brands and does not necessarily mean to cover all categories of tools offered by us. You are kindly reminded to verify carefully when you are placing an order with us if you are actually saving half in comparison with the top major brands.

VEVOR[®]

TOUGH TOOLS, HALF PRICE

HYDRAULIC GEAR PUMP

MODELO: YYPMB11GPM / YYPMB13GPM / YYPMB22GPM+25 /
YYPMB22GPM / CLB13GPM / CLB16GPM / CLB16+25



NEED HELP? CONTACT US!

Have product questions? Need technical support? Please feel free to contact us:

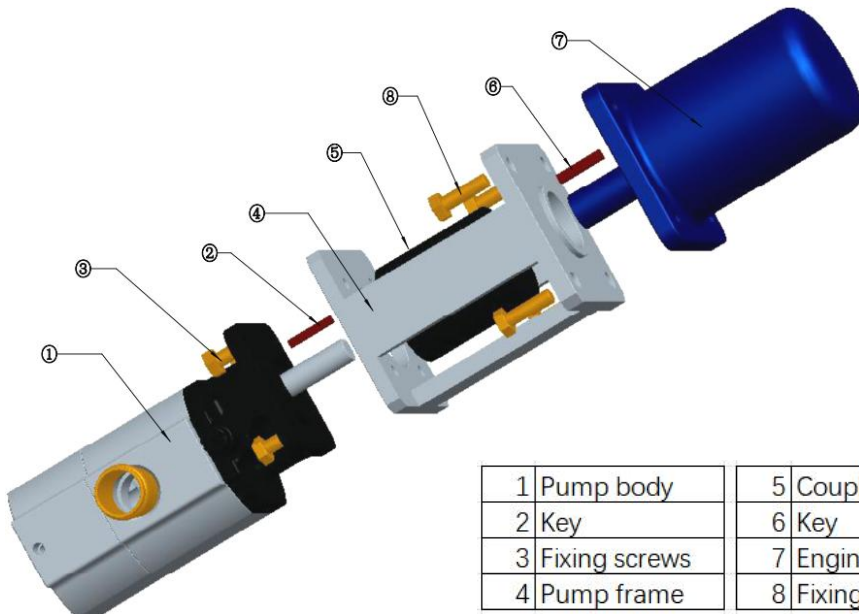
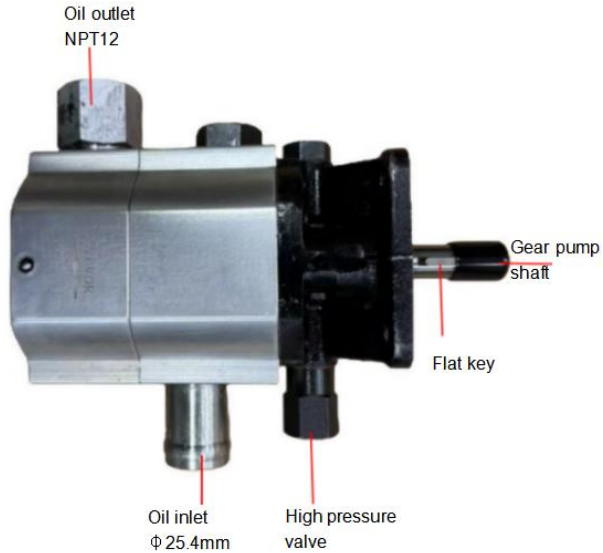
Technical Support and E-Warranty Certificate
www.vevor.com/support

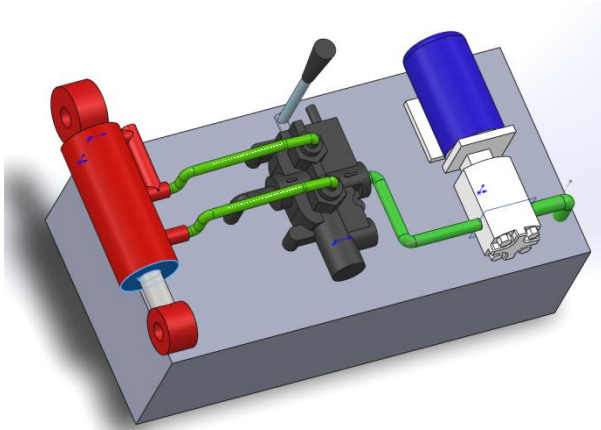
This is the original instruction, please read all manual instructions carefully before operating. VEVOR reserves a clear interpretation of our user manual. The appearance of the product shall be subject to the product you received. Please forgive us that we won't inform you again if there are any technology or software updates on our product.



Advertencia: para reducir el riesgo de lesiones, el usuario debe leer atentamente el manual de instrucciones.

INSTALLATION GUIDELINES



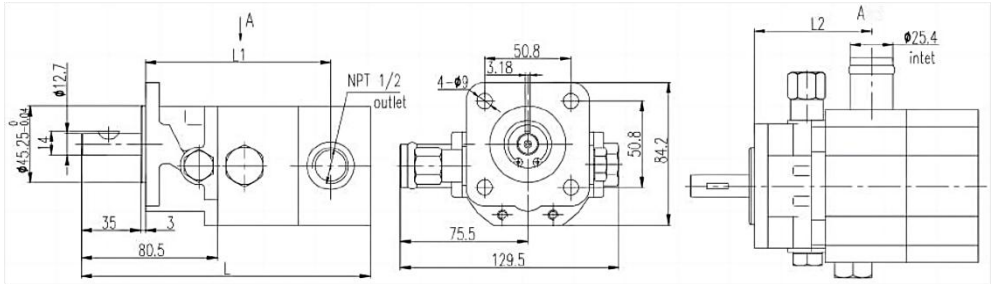


1. Asegure el acoplamiento al motor.
2. Conecte el soporte de la bomba a la brida del motor.
3. Fije la bomba de engranajes al bastidor de la bomba y conéctela al acoplamiento (tenga en cuenta que la llave única del interior no puede caerse).
4. Conecte el tubo de succión de aceite al tanque de combustible y asegúrelo con una abrazadera para tubos.
5. La conexión entre la salida de aceite y el puerto de aceite de alta presión de la válvula multidireccional está completa.

SPECIFICATIONS

Modelo	Flujo (GPM) 3600r/min	Presión (PSI)		Desplazamiento (cu.in/r)		Velocidad (rpm)	D (mm)	
		lo	Hola	lo	Hola		Entrada	Salida
YYPMB11GPM	11	400/900	3000	0.537	0.220	3600	1 en tubería	1/2 TNP
CLB13GPM	13	400/900	3000	0.665	0.220			
YYPMB13GPM	13	400/900	4 000	0.665	0.256			
CLB16GPM	dieciséis	400/900	4 000	0,793	0.265			
CLB16+25	dieciséis	400/900	4 000	0,793	0.265			

DIMENSION

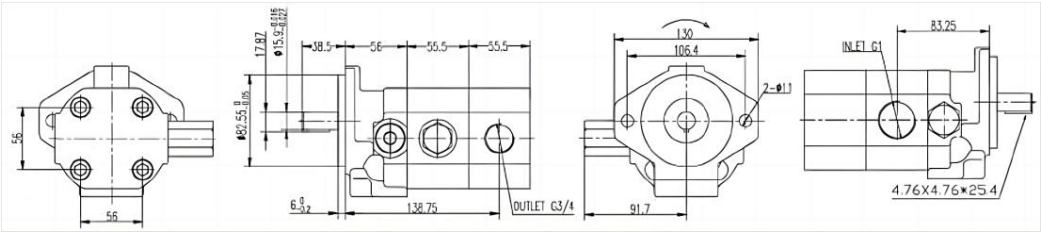


Modelo	Dimensión (pulgadas)		
	I	L1	L2
YYPMB11GPM	6.61	4.24	2.74
CLB13GPM	6.9	4.53	3.04
YYPMB13GPM	6.9	4.53	3.04
CLB16GPM	6.9	4.53	3.04
CLB16+25	6.9	4.53	3.04

SPECIFICATIONS

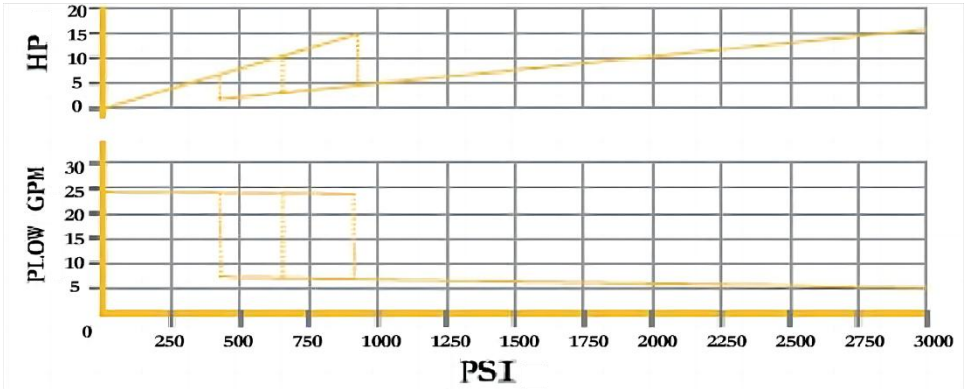
Modelo	Flujo (GPM) 3600 rpm	Presión (PSI)		Desplazamiento (cu.in/r)		Velocidad (rpm)	D (mm)	
		lo	Hola	lo	Hola		Entrada	Salida
YYPMB22GPM+25	22	400/900	3000	0,93	0.465	3600	NPTF 1	NPTF3/4
YYPMB22GPM	22	400/900	3000	0,93	0.465		G1	G3/4

DIMENSION



PERFORMANCE CURVES

YYPMB22GPM



PARTS LIST

Modelo	Lista de partes
YYPMB11GPM , YYPMB22GPM , CLB13GPM , CLB16GPM	1. Llave inglesa * 1; 2. Llave plana * 1; 3. Cinta de teflón* 1
YYPMB13GPM	1. Acoplamiento * 1; 2. Base de instalación * 1; 3. Perno * 4; 4. Llave inglesa * 1; 5. Clave * 1; 6. Cinta de teflón* 1;
YYPMB22GPM+25	1. Acoplamiento * 1; 2. Base de instalación * 1; 3. Perno * 4; 4. Válvula de freno * 1 5. Llave * 1; 6. Clave * 1; 7. Cinta de teflón* 1;
CLB16+25	1. Válvula de freno; 2. Llave inglesa * 1; 3. Llave plana * 1; 4. Cinta de teflón* 1

Dirección: Baoshanqu Shuangchenglu 803long 11hao 1602A-1609shi
Shanghai

Importado a AUS: SIHAO PTY LTD . 1 ROKEVA STREET ASTWOOD
NSW 2122 Australia

Importado a EE. UU.: Sanven Technology Ltd. Suite 250, 9166 Anaheim
Place, Rancho Cucamonga, CA 91730

EC	REP	SHUNSHUN GmbH Römeräcker 9 Z2021, 76351 Linkenheim-Hochstetten, Germany
-----------	------------	---

UK	REP	Pooledas Group Ltd Unit 5 Albert Edward House, The Pavilions Preston, United Kingdom
-----------	------------	--

Hecho en china

VEVOR[®]

TOUGH TOOLS, HALF PRICE

Técnico Certificado de soporte y garantía electrónica

www.vevor.com/support

VEVOR[®]

TOUGH TOOLS, HALF PRICE

Techniczny Certyfikat wsparcia i e-gwarancji

www.vevor.com/support

HYDRAULICZNA POMPA ZĘBATA

**MODEL: YYPMB11GPM / YYPMB13GPM /
YYPMB22GPM+25 / YYPMB22GPM / CLB13GPM /
CLB16GPM / CLB16+25**

We continue to be committed to provide you tools with competitive price.

"Save Half", "Half Price" or any other similar expressions used by us only represents an estimate of savings you might benefit from buying certain tools with us compared to the major top brands and does not necessarily mean to cover all categories of tools offered by us. You are kindly reminded to verify carefully when you are placing an order with us if you are actually saving half in comparison with the top major brands.

VEVOR[®]

TOUGH TOOLS, HALF PRICE

HYDRAULIC GEAR PUMP

MODEL: YYPMB11GPM / YYPMB13GPM / YYPMB22GPM+25 / YYPMB22GPM
/ CLB13GPM / CLB16GPM / CLB16+25



NEED HELP? CONTACT US!

Have product questions? Need technical support? Please feel free to contact us:

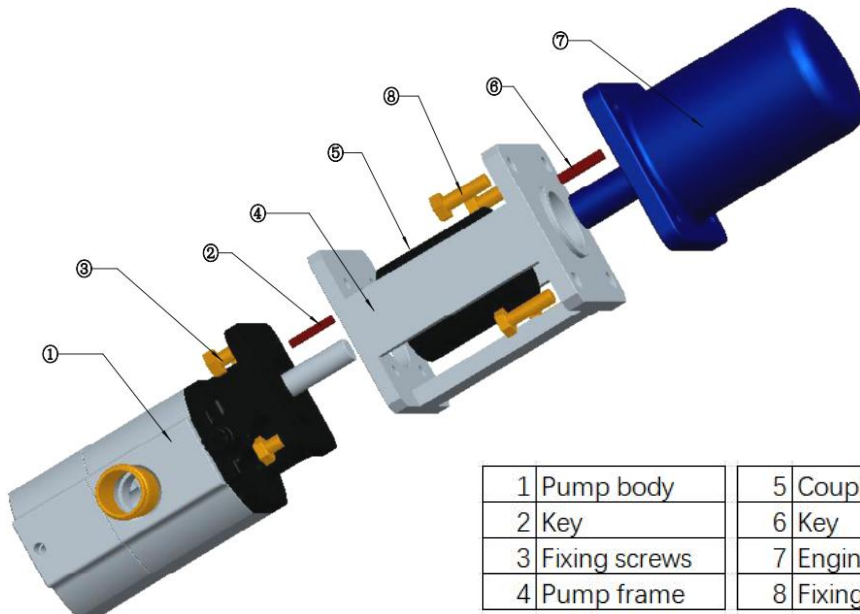
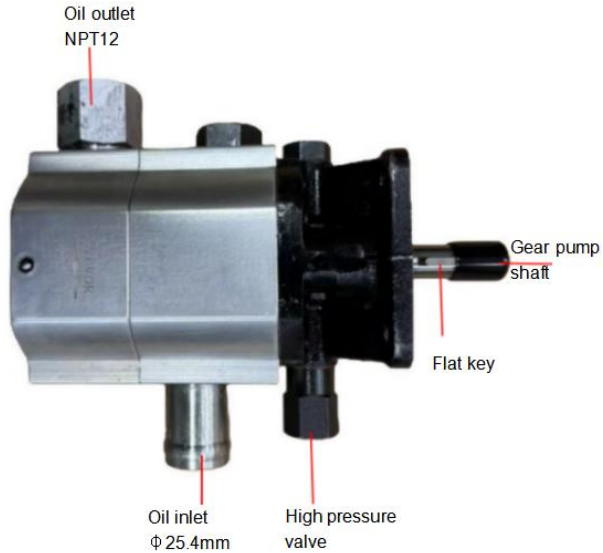
Technical Support and E-Warranty Certificate
www.vevor.com/support

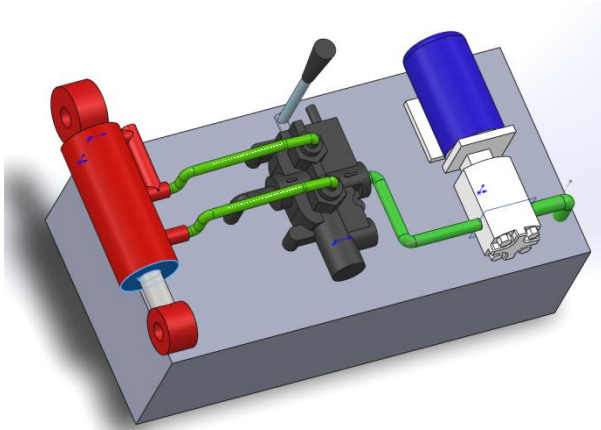
This is the original instruction, please read all manual instructions carefully before operating. VEVOR reserves a clear interpretation of our user manual. The appearance of the product shall be subject to the product you received. Please forgive us that we won't inform you again if there are any technology or software updates on our product.



Ostrzeżenie — aby zmniejszyć ryzyko obrażeń, użytkownik musi uważnie przeczytać instrukcję obsługi.

INSTALLATION GUIDELINES



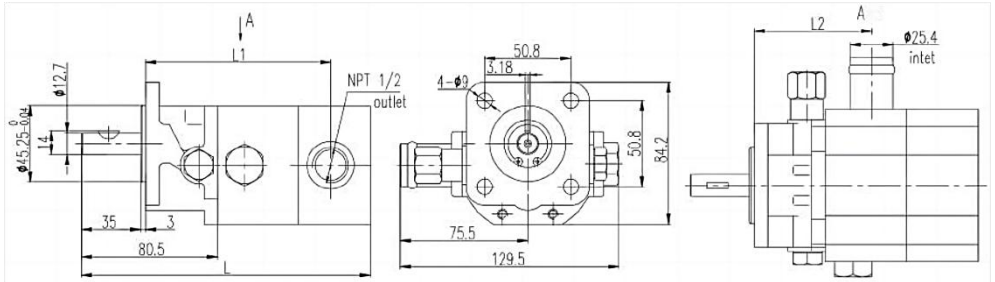


1. Zamocuj sprzęgło do silnika.
2. Połączyć wspornik pompy z kołnierzem silnika.
3. Zamocuj pompę zębatą do ramy pompy i połącz ją ze sprzęgłem (pamiętaj, że pojedynczy klucz znajdujący się wewnątrz nie może wypaść)
4. Podłączyć przewód ssący oleju do zbiornika paliwa i zabezpieczyć opaską zaciskową.
5. Połączenie pomiędzy wylotem oleju a przyłączem oleju pod wysokim ciśnieniem zaworu wielodrogowego zostało zakończone.

SPECIFICATIONS

Model	Przepływ (GPM) 3600r/min	Ciśnienie (PSI)		Przemieszczenie (c u.in/r)		Prędkość (obr/min)	D (mm)	
		Lo	Cześć	Lo	Cześć		Wlot	Wylot
YYPMB11GPM	11	400/900	3000	0,537	0,220	3600	1 w P ipe	1/2 NPT
CLB13GPM	13	400/900	3000	0,665	0,220			
YYPMB13GPM	13	400/900	4 000	0,665	0,256			
CLB16GPM	16	400/900	4 000	0,793	0,265			
CLB16+25	16	400/900	4 000	0,793	0,265			

DIMENSION

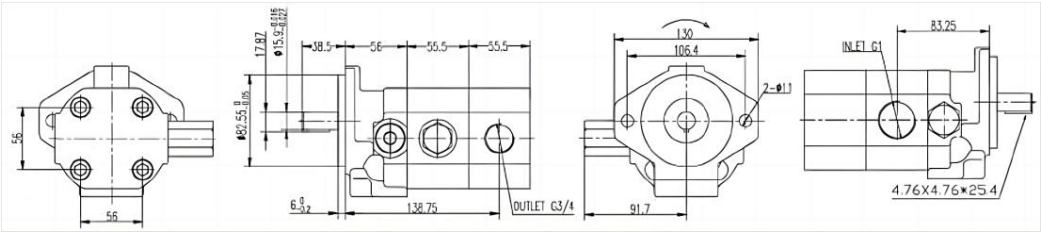


Model	Wymiar (cale)		
	L	L1	L2
YYPMB11GPM	6.61	4.24	2,74
CLB13GPM	6.9	4,53	3.04
YYPMB13GPM	6.9	4,53	3.04
CLB16GPM	6.9	4,53	3.04
CLB16+25	6.9	4,53	3.04

SPECIFICATIONS

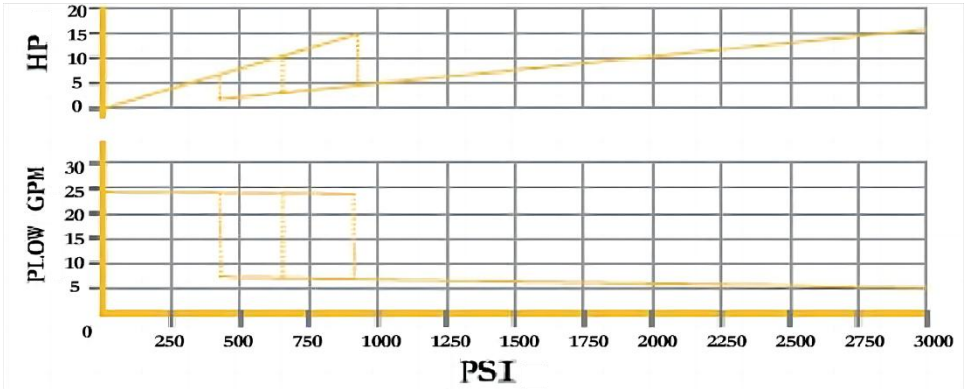
Model	Przepływ (GPM) 3600 obr./min	Ciśnienie (PSI)		Przemieszczenie (c u.in/r)		Prędkość (obr/min)	D (mm)	
		Lo	Cześć	Lo	Cześć		Wlot	Wylot
YYPMB22GPM+25	22	400/900	3000	0,93	0,465	3600	NPTF 1 G1	NPTF3/4 G3/4
YYPMB22GPM	22	400/900	3000	0,93	0,465			

DIMENSION



PERFORMANCE CURVES

YYPMB22GPM



PARTS LIST

Model	Lista części
YYPMB11GPM , YYSMB22GPM , CLB13GPM , CLB16GPM	1. Klucz * 1; 2. Klucz płaski * 1; 3. Taśma teflonowa* 1
YYPMB13GPM	1. Sprzęgło * 1; 2. Podstawa instalacyjna * 1; 3. Śruba * 4; 4. Klucz * 1; 5. Klucz * 1; 6. Taśma teflonowa* 1;
YYPMB22GPM+25	1. Sprzęgło * 1; 2. Podstawa instalacyjna * 1; 3. Śruba * 4; 4. Zawór hamulcowy * 1 5. Klucz * 1; 6. Klucz * 1; 7. Taśma teflonowa* 1;
CLB16+25	1. Zawór hamulcowy; 2. Klucz * 1; 3. Klucz płaski * 1; 4. Taśma teflonowa* 1

Adres: Baoshanqu Shuangchenglu 803long 11hao 1602A-1609shi
Szanghaj

Import do AUS: SIHAO PTY LTD . 1 ROKEVA STREETEASTWOOD
NSW 2122 Australia

Import do USA: Sanven Technology Ltd. Apartament 250, 9166 Anaheim
Place, Rancho Cucamonga, Kalifornia 91730

EC	REP	SHUNSHUN GmbH Römeräcker 9 Z2021, 76351 Linkenheim-Hochstetten, Germany
-----------	------------	---

UK	REP	Pooledas Group Ltd Unit 5 Albert Edward House, The Pavilions Preston, United Kingdom
-----------	------------	--

Wyprodukowano w Chinach

VEVOR[®]

TOUGH TOOLS, HALF PRICE

Techniczny Certyfikat wsparcia i e-gwarancji

www.vevor.com/support

VEVOR[®]

TOUGH TOOLS, HALF PRICE

Technisch Ondersteuning en e-garantiecertificaat

www.vevor.com/support

HYDRAULISCHE TANDWIELPOMP

**MODEL: YYPMB11GPM / YYPMB13GPM /
JJPMB22GPM+25 / JJPMB22GPM / CLB13GPM /
CLB16GPM / CLB16+25**

We continue to be committed to provide you tools with competitive price.

"Save Half", "Half Price" or any other similar expressions used by us only represents an estimate of savings you might benefit from buying certain tools with us compared to the major top brands and does not necessarily mean to cover all categories of tools offered by us. You are kindly reminded to verify carefully when you are placing an order with us if you are actually saving half in comparison with the top major brands.

VEVOR®

TOUGH TOOLS, HALF PRICE

HYDRAULIC GEAR PUMP

MODEL: YYPMB11GPM / YYPMB13GPM / YYPMB22GPM+25 / YYPMB22GPM
/ CLB13GPM / CLB16GPM / CLB16+25



NEED HELP? CONTACT US!

Have product questions? Need technical support? Please feel free to contact us:

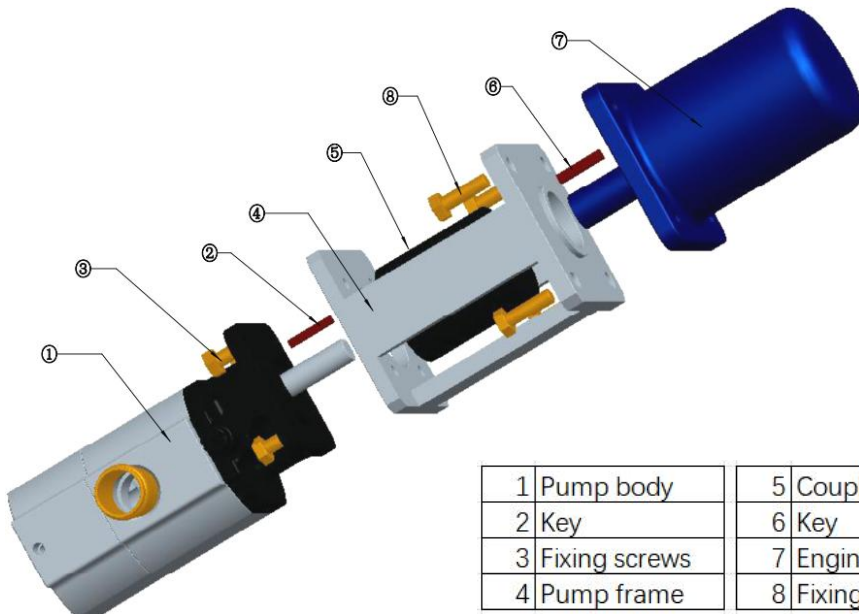
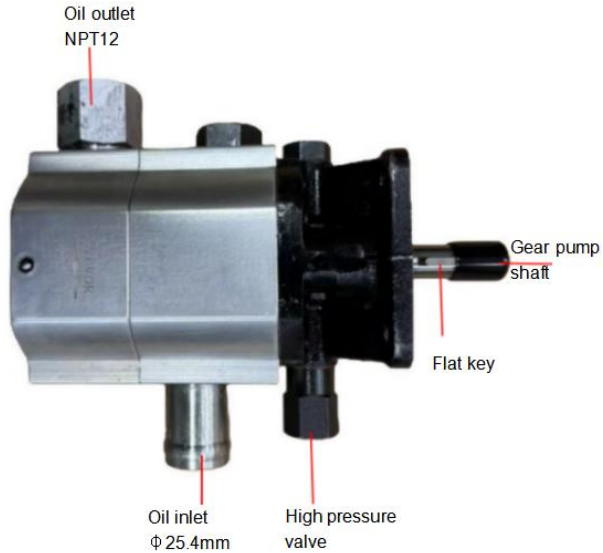
Technical Support and E-Warranty Certificate
www.vevor.com/support

This is the original instruction, please read all manual instructions carefully before operating. VEVOR reserves a clear interpretation of our user manual. The appearance of the product shall be subject to the product you received. Please forgive us that we won't inform you again if there are any technology or software updates on our product.

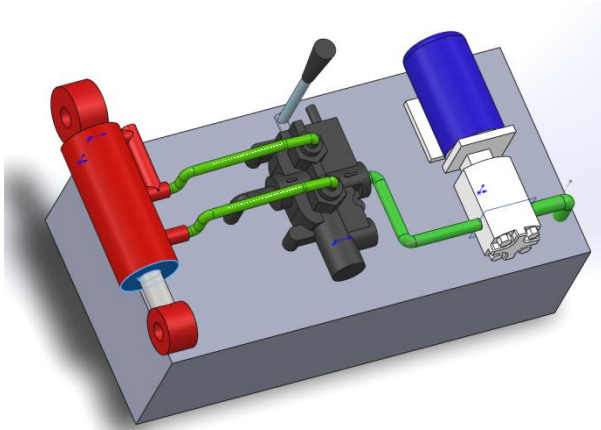


Waarschuwing-Om het risico op letsel te verminderen, moet de gebruiker de handleiding zorgvuldig lezen.

INSTALLATION GUIDELINES



1	Pump body	5	Coupling
2	Key	6	Key
3	Fixing screws	7	Engine
4	Pump frame	8	Fixing screws

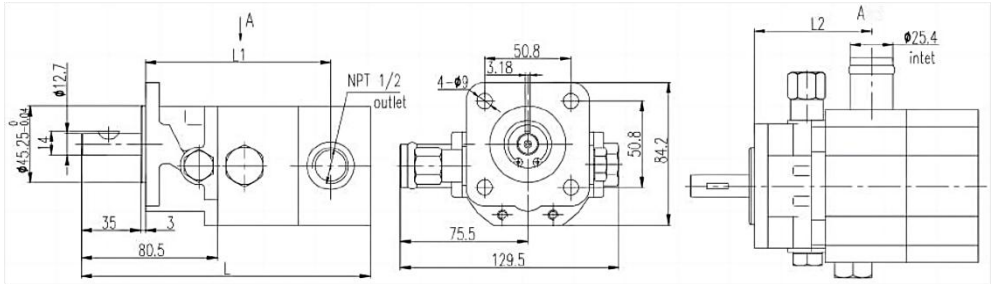


1. Bevestig de koppeling aan de motor.
2. Sluit de pompbeugel aan op de motorflens.
3. Bevestig de tandwielpompe op het pompframe en sluit deze aan op de koppeling (let op: de enkele sleutel aan de binnenkant kan er niet uit vallen)
4. Sluit de olieaanzuigleiding aan op de brandstoftank en zet deze vast met een pijpklem.
5. De verbinding tussen de olie-uitlaat en de hogedrukoliepoort van de meerwegklep is voltooid.

SPECIFICATIONS

Model	Stroom (GPM) 3600r/min	Druk (PSI)		Verplaatsing (cu.in/r)		Snelheid (tpm)	D (mm)	
		Lo	Hoi	Lo	Hoi		Inlaat	Uitlaat
JJPMB11GPM	11	400/900	3000	0,537	0,220	3600	1 in Pijp	1/2 NPT
CLB13GPM	13	400/900	3000	0,665	0,220			
JJPMB13GPM	13	400/900	4 000	0,665	0,256			
CLB16GPM	16	400/900	4 000	0,793	0,265			
CLB16+25	16	400/900	4 000	0,793	0,265			

DIMENSION



Model	Dimensie (inches)		
	L	L1	L2
JJPMB11GPM	6.61	4.24	2,74
CLB13GPM	6.9	4.53	3.04
JJPMB13GPM	6.9	4.53	3.04
CLB16GPM	6.9	4.53	3.04
CLB16+25	6.9	4.53	3.04

SPECIFICATIONS

Model	Stroom (GPM) 3600 tpm	Druk (PSI)		Verplaatsing (cu.in/r)		Snelheid (tpm)	D (mm)	
		Lo	Hoi	Lo	Hoi		Inlaat	Uitlaat
JJPMB22GPM+25	22	400/900	3000	0,93	0,465	3600	NPTF	NPTF3/4 G3/4
JJPMB22GPM	22	400/900	3000	0,93	0,465		1 G1	

PARTS LIST

Model	Onderdelen lijst
JJPMB11GPM , JJPMB22GPM , CLB13GPM , CLB16GPM	1. Sleutel * 1; 2. Platte sleutel * 1; 3. Teflontape* 1
JJPMB13GPM	1. Koppeling * 1; 2. Installatiebasis * 1; 3. Bout * 4; 4. Sleutel * 1; 5. Sleutel * 1; 6. Teflontape* 1;
JJPMB22GPM+25	1. Koppeling * 1; 2. Installatiebasis * 1; 3. Bout * 4; 4. Remklep * 1 5. Sleutel * 1; 6. Sleutel * 1; 7. Teflontape* 1;
CLB16+25	1. Remklep; 2. Sleutel * 1; 3. Platte sleutel * 1; 4. Teflontape* 1

Adres: Baoshanqu Shuangchenglu 803long 11hao 1602A-1609shi
Shanghai

Geïmporteerd naar AUS: SIHAO PTY LTD . 1 ROKEVA
STREETEASTWOOD NSW 2122 Australië

Geïmporteerd naar de VS: Sanven Technology Ltd. Suite 250, 9166
Anaheim Place, Rancho Cucamonga, CA 91730

EC	REP	SHUNSHUN GmbH Römeräcker 9 Z2021, 76351 Linkenheim-Hochstetten, Germany
-----------	------------	---

UK	REP	Pooledas Group Ltd Unit 5 Albert Edward House, The Pavilions Preston, United Kingdom
-----------	------------	--

Gemaakt in China

VEVOR[®]

TOUGH TOOLS, HALF PRICE

Technisch Ondersteuning en e-garantiecertificaat

www.vevor.com/support

VEVOR[®]

TOUGH TOOLS, HALF PRICE

Teknisk Support och e-garanticertifikat

www.vevor.com/support

HYDRAULISK KUGGHJULSPUMP

**MODELL: YYPMB11GPM / YYPMB13GPM /
YYPMB22GPM+25 / YYPMB22GPM / CLB13GPM /
CLB16GPM / CLB16+25**

We continue to be committed to provide you tools with competitive price.

"Save Half", "Half Price" or any other similar expressions used by us only represents an estimate of savings you might benefit from buying certain tools with us compared to the major top brands and does not necessarily mean to cover all categories of tools offered by us. You are kindly reminded to verify carefully when you are placing an order with us if you are actually saving half in comparison with the top major brands.

VEVOR®

TOUGH TOOLS, HALF PRICE

HYDRAULIC GEAR PUMP

MODELL: YYPMB11GPM / YYPMB13GPM / YYPMB22GPM+25 /
YYPMB22GPM / CLB13GPM / CLB16GPM / CLB16+25



NEED HELP? CONTACT US!

Have product questions? Need technical support? Please feel free to contact us:

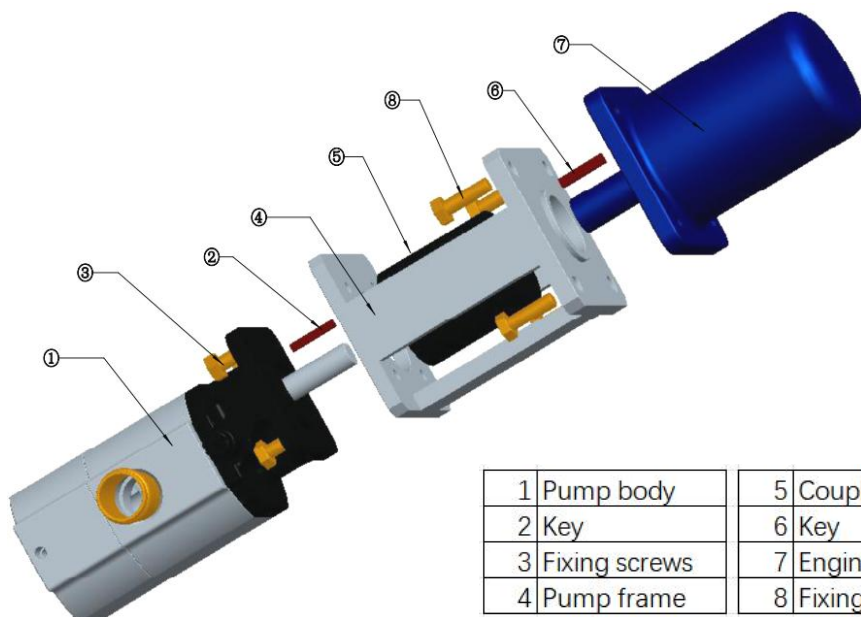
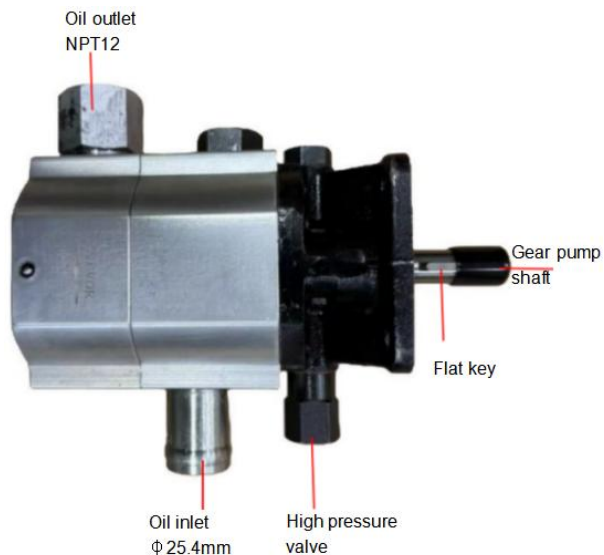
Technical Support and E-Warranty Certificate
www.vevor.com/support

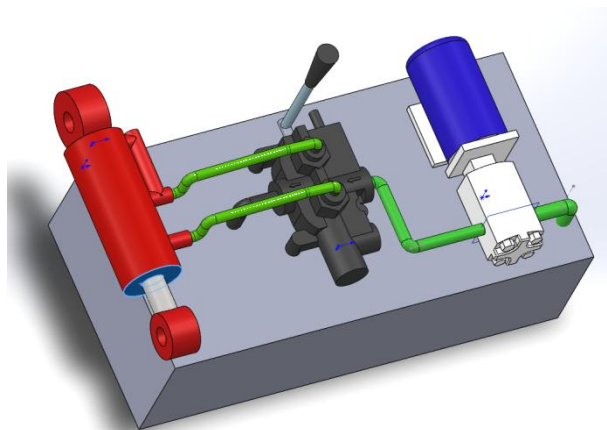
This is the original instruction, please read all manual instructions carefully before operating. VEVOR reserves a clear interpretation of our user manual. The appearance of the product shall be subject to the product you received. Please forgive us that we won't inform you again if there are any technology or software updates on our product.



Varning - För att minska risken för skada måste användaren läsa instruktionerna noggrant.

INSTALLATION GUIDELINES



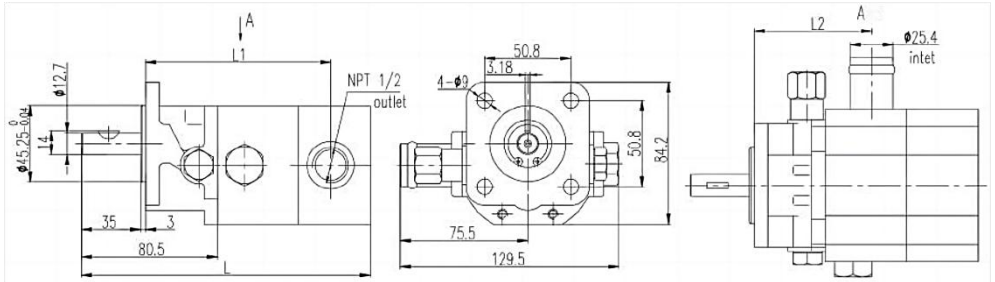


1. Fäst kopplingen till motorn.
2. Anslut pumpfästet till motorflänsen.
3. Fäst kugghjulspumpen på pumpramen och anslut den till kopplingen (observera att den inre nyckeln inte kan falla ut)
4. Anslut oljesugröret till bränsletanken och fäst det med en rörlämma.
5. Anslutningen mellan oljeutloppet och högtrycksoljeporten på flervägsventilen är klar.

SPECIFICATIONS

Modell	Flöde (GPM) 3600r/min	Tryck (PSI)		Förflyttning (c u.in/r)		Fart (rpm)	D (mm)	
		Lo	Hej	Lo	Hej		Inlopp	Utlopp
YYPMB11GPM	11	400/900	3000	0,537	0,220	3600	1 i P ipe	1/2 NPT
CLB13GPM	13	400/900	3000	0,665	0,220			
YYPMB13GPM	13	400/900	4 000	0,665	0,256			
CLB16GPM	16	400/900	4 000	0,793	0,265			
CLB16+25	16	400/900	4 000	0,793	0,265			

DIMENSION

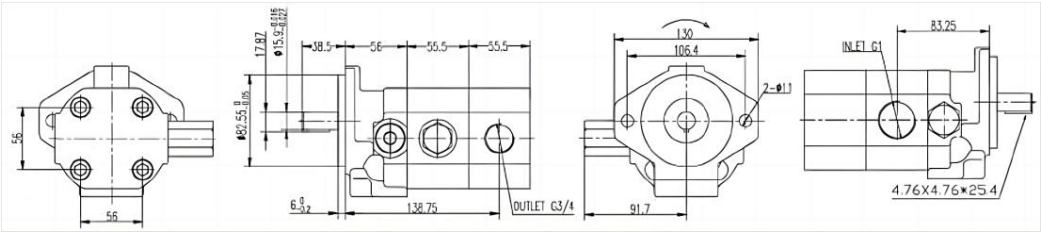


Modell	Dimensionera (tum)		
	L	L1	L2
YYPMB11GPM	6,61	4,24	2,74
CLB13GPM	6.9	4,53	3,04
YYPMB13GPM	6.9	4,53	3,04
CLB16GPM	6.9	4,53	3,04
CLB16+25	6.9	4,53	3,04

SPECIFICATIONS

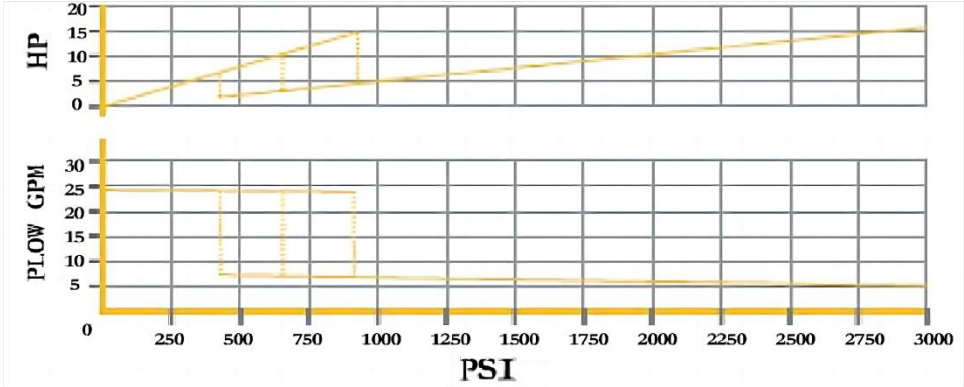
Modell	Flöde (GPM) 3600r/min	Tryck (PSI)		Förflyttning (c u.in/r)		Fart (rpm)	D (mm)	
		Lo	Hej	Lo	Hej		Inlopp	Utlopp
YYPMB22GPM+25	22	400/900	3000	0,93	0,465	3600	NPTF 1 G1	NPTF3/4 G3/4
YYPMB22GPM	22	400/900	3000	0,93	0,465			

DIMENSION



PERFORMANCE CURVES

YYPMB22GPM



PARTS LIST

Modell	Delarlista
YYPMB11GPM , YYSMB22GPM , CLB13GPM , CLB16GPM	1. Skiftnyckel * 1; 2. Platt nyckel * 1; 3. Teflontejp* 1
YYPMB13GPM	1. Koppling * 1; 2. Installationsbas * 1; 3. Bult * 4; 4. Skiftnyckel * 1; 5. Nyckel * 1; 6. Teflontejp* 1;
YYPMB22GPM+25	1. Koppling * 1; 2. Installationsbas * 1; 3. Bult * 4; 4. Bromsventil * 1 5. Skiftnyckel * 1; 6. Nyckel * 1; 7. Teflontejp* 1;
CLB16+25	1. Bromsventil; 2. Skiftnyckel * 1; 3. Platt nyckel * 1; 4. Teflontejp* 1

Adress: Baoshanqu Shuangchenglu 803long 11hao 1602A-1609shi
Shanghai

Importerad till AUS: SIHAO PTY LTD . 1 ROKEVA STREETEASTWOOD
NSW 2122 Australien

till **USA:** Sanven Technology Ltd. Suite 250, 9166 Anaheim Place, Rancho
Cucamonga, CA 91730

EC	REP	SHUNSHUN GmbH Römeräcker 9 Z2021, 76351 Linkenheim-Hochstetten, Germany
-----------	------------	---

UK	REP	Pooledas Group Ltd Unit 5 Albert Edward House, The Pavilions Preston, United Kingdom
-----------	------------	--

Tillverkad i Kina

VEVOR[®]

TOUGH TOOLS, HALF PRICE

Teknisk Support och e-garanticertifikat

www.vevor.com/support