

# **VEVOR<sup>®</sup>**

**TOUGH TOOLS, HALF PRICE**

Technical Support and E-Warranty Certificate [www.vevor.com/support](http://www.vevor.com/support)

## **Heat Transfer Plates**

**MODEL:JQ2/JQ4**

We continue to be committed to provide you tools with competitive price.

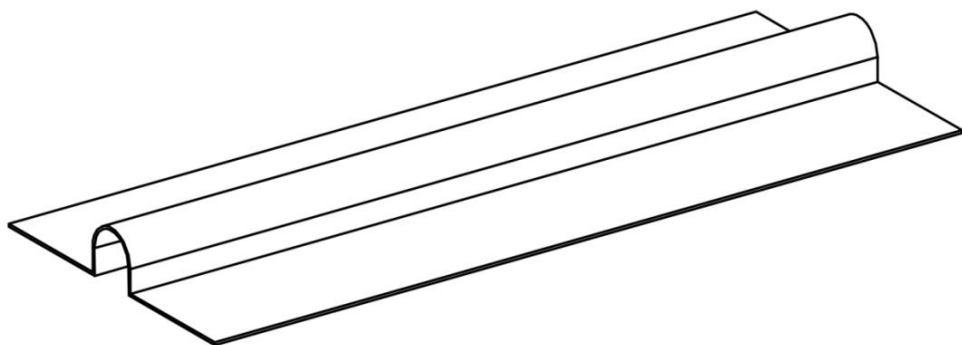
"Save Half", "Half Price" or any other similar expressions used by us only represents an estimate of savings you might benefit from buying certain tools with us compared to the major top brands and dose not necessarily mean to cover all categories of tools offered by us. You are kindly reminded to verify carefully when you are placing an order with us if you are actually saving half in comparison with the top major brands.

# VEVOR®

TOUGH TOOLS, HALF PRICE

## Heat Transfer Plates

MODEL:JQ2/JQ4





### NEED HELP? CONTACT US!

Have product questions? Need technical support? Please feel free to contact us:

**Technical Support and E-Warranty Certificate**  
**[www.vevor.com/support](http://www.vevor.com/support)**

This is the original instruction, please read all manual instructions carefully before operating. VEVOR reserves a clear interpretation of our user manual. The appearance of the product shall be subject to the product you received. Please forgive us that we won't inform you again if there are any technology or software updates on our product.

	<p>Warning-To reduce the risk of injury, user must read instructions manual carefully.</p>
	<p>Warning- Be sure to wear gloves when using this product.</p>

Model	JQ2-100	JQ2-200	JQ4-50	JQ4-100	JQ4-200	JQ4-300
Suitable For PEX Pipe Sizes (inch)	1/2	1/2	1/2	1/2	1/2	1/2
Specification (ft)	2	2	4	4	4	4
Quantity (pcs)	100	200	50	100	200	300
Product Length (mm)	600	600	1200	1200	1200	1200

## INSTRUCTIONS

The heat transfer plate is fixed on the PEX tube with nails, screws or air nails to the surface of the plywood or wood subfloor, by dissipating heat from the PEX to the floor, the board. Can make the heat distribution more uniform, and effectively reduce or eliminate cold spots on the floor. With improved heat transfer efficiency, the system can operate at lower supply temperatures, reducing operating costs.

The product is hidden on the floor below, and the film on the product can be installed directly if you do not want to peel it off. Peeling the film will increase the heat dissipation effect.

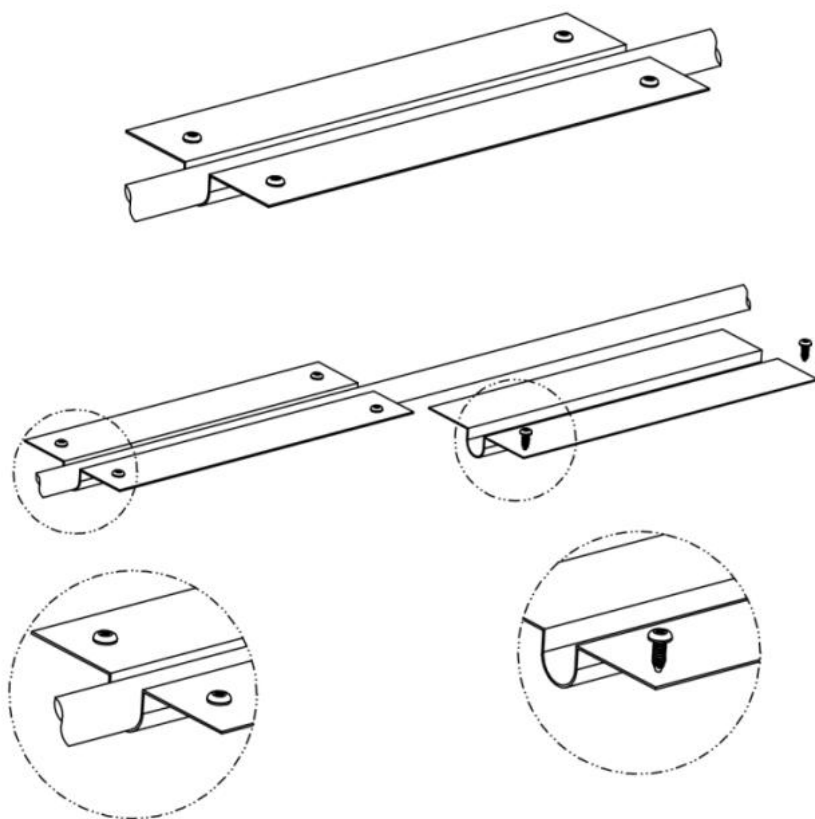
# Installation Method 1



Warning!

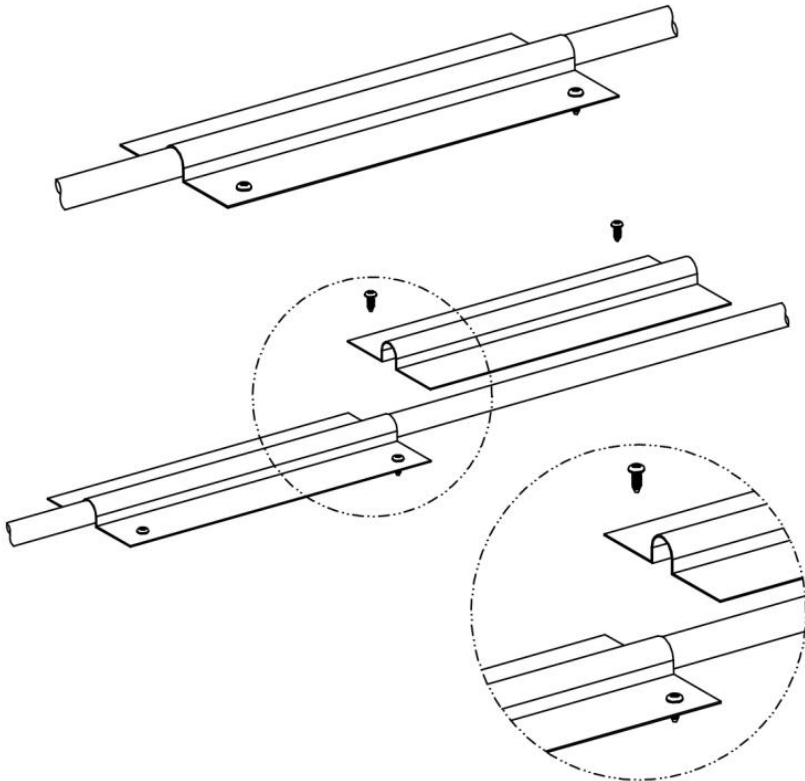


Warning- Be sure to wear gloves when using this product.





## Installation Method 2



During installation, the heat transfer plate can be cut to any size at will.



## CUTTABLE PLATE DESIGN

**Manufacturer:** Shanghaimuxinmuyeyouxiangongsi

**Address:** Shuangchenglu 803nong11hao1602A-1609shi, baoshanqu, shanghai 200000 CN.

**Imported to AUS:** SIHAO PTY LTD. 1 ROKEVA STREET EASTWOOD NSW 2122 Australia

**Imported to USA:** Sanven Technology Ltd. Suite 250, 9166 Anaheim Place, Rancho Cucamonga, CA 91730

<b>UK</b>	<b>REP</b>
-----------	------------

YH CONSULTING LIMITED. C/O YH Consulting  
Limited Office 147, Centurion House, London  
Road, Staines-upon-Thames, Surrey, TW18 4AX

<b>EC</b>	<b>REP</b>
-----------	------------

E-CrossStu GmbH  
Mainzer Landstr.69,  
60329 Frankfurt am Main.

**VEVOR<sup>®</sup>**

**TOUGH TOOLS, HALF PRICE**

**Technical Support and E-Warranty Certificate**

**[www.vevor.com/support](http://www.vevor.com/support)**