

NEED HELP? CONTACT US!

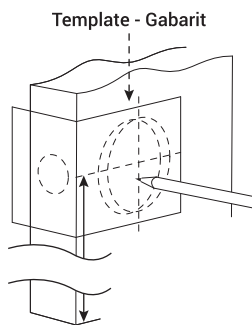
Have product questions? Need technical support? Please feel free to contact us:

Technical Support and E-Warranty Certificate
www.vevor.com/support

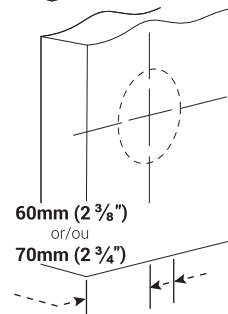
This is the original instruction, please read all manual instructions carefully before operating. VEVOR reserves clear interpretation of our user manual. The appearance of the product shall be subject to the product you received. Please forgive us that we won't inform you again if there is any technology or software updates on our product.

1

Recommendation:
965mm (38") from the floor
Recommandation:
965mm (38") du sol

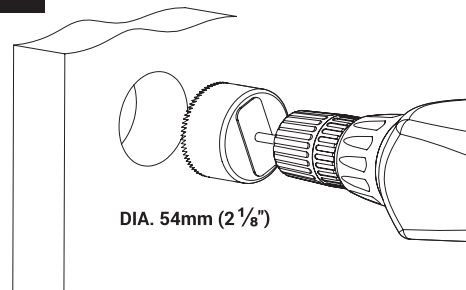


Trace the holes on the door.
Tracer les trous sur la porte.



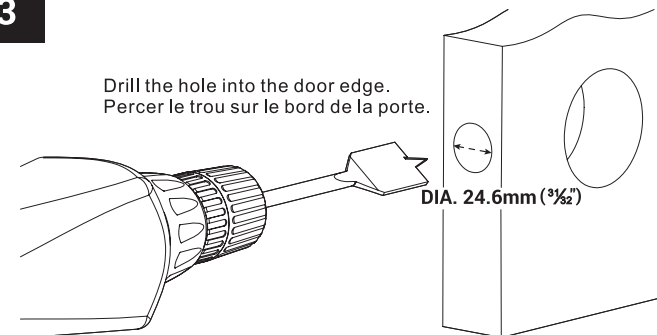
2

Drill the hole into the door.
Percer le trou dans la porte.



3

Drill the hole into the door edge.
Percer le trou sur le bord de la porte.

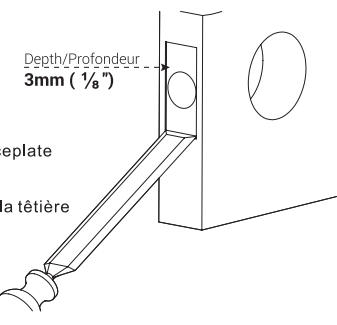


02

4

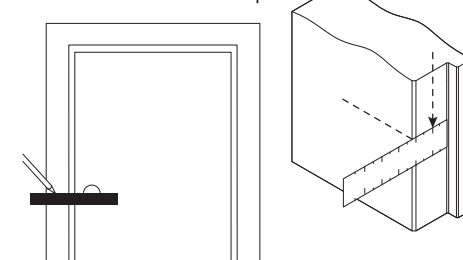
Cut the hole for the faceplate
on the door edge.

Découper le trou pour la tête
sur le bord de la porte.



5

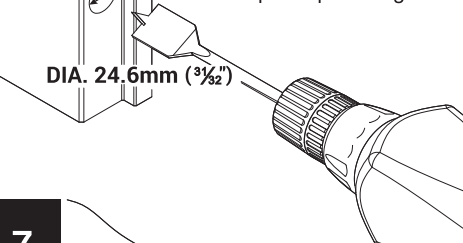
Trace the hole for strike plate on door
jamb.
Tracer le trou pour la gâche
sur le cadre de porte.



6

Drill the hole into the door
jamb for the strike plate.

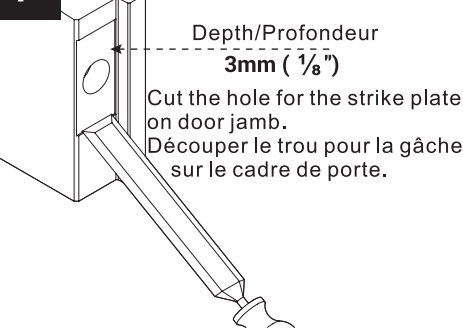
Percer le trou dans le
cadre de porte pour la gâche.



7

Depth/Profondeur
3mm (1/8")

Cut the hole for the strike plate
on door jamb.
Découper le trou pour la gâche
sur le cadre de porte.



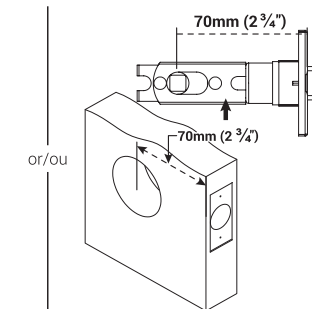
03

1

Optional
Optionnel



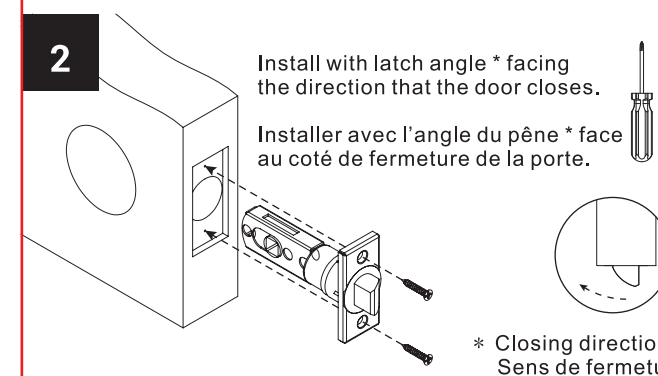
Adjust latch length.
Ajuster la longueur du pêne.



2

Install with latch angle * facing
the direction that the door closes.

Installer avec l'angle du pêne * face
au côté de fermeture de la porte.

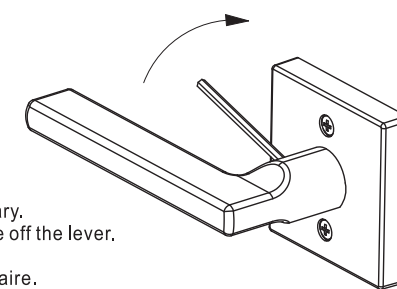


* Closing direction
Sens de fermeture

3

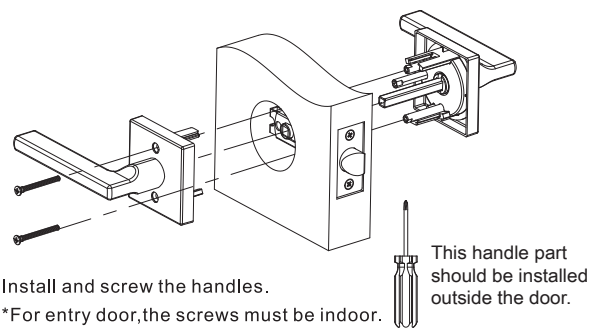
Reverse the levers if necessary.
Unscrew the set screw to take off the lever.

Inverser les leviers si nécessaire.
Dévisser la vis de pression pour enlever le levier.



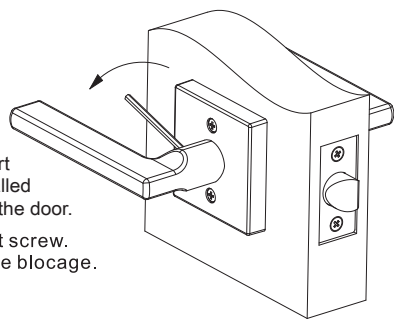
04

4



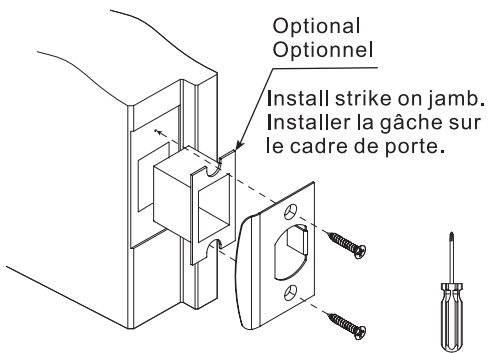
Install and screw the handles.
 *For entry door, the screws must be indoor.
 Installer et visser les poignées.

5

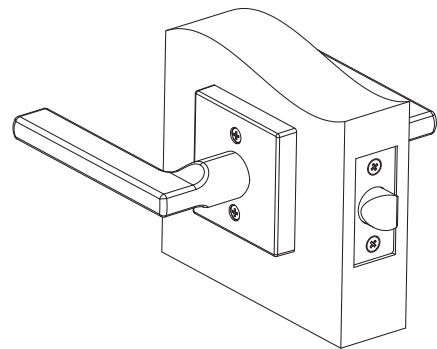


This handle part should be installed interior side of the door.
 Tighten the set screw.
 Serrer la vis de blocage.

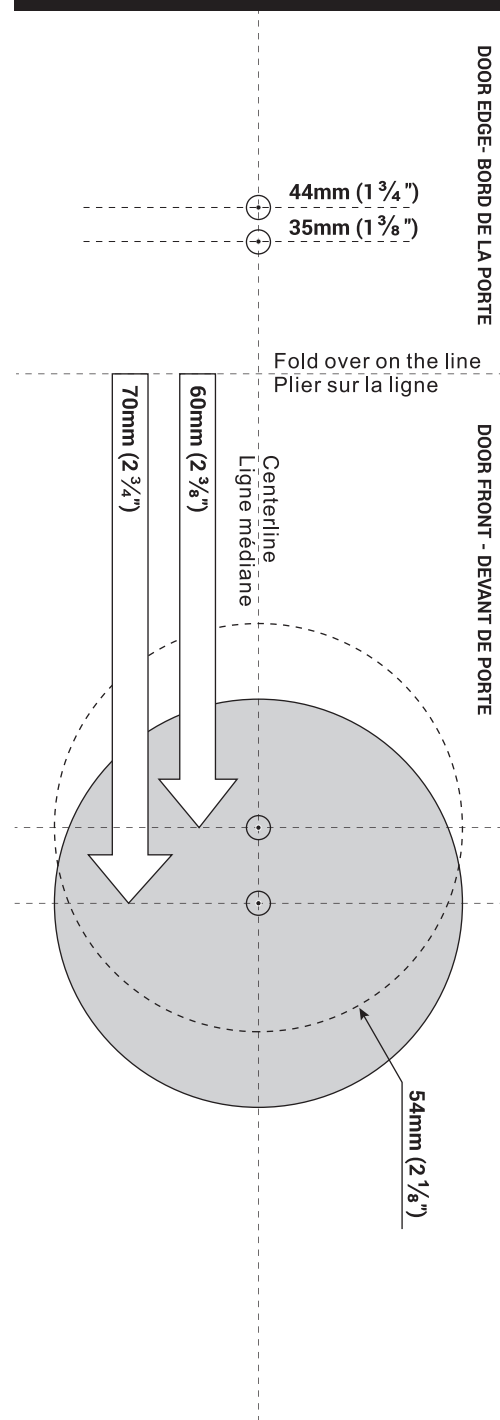
6



7



TEMPLATE - GABARIT



06

Manufacturer: Shanghai muxinmuyeyouxiangongsi
Address: Shuangchenglu 803nong11hao1602A-1609shi, baoshanqu, shanghai 200000 CN.
EC REP: E-CrossStu GmbH
 Mainzer Landstr.69, 60329 Frankfurt am Main.
UK REP: YH CONSULTING LIMITED.
 C/O YH Consulting Limited Office 147, Centurion House, London Road, Staines-upon-Thames, Surrey, TW18 4AX
Imported to AUS: SIHAO PTY LTD.
 1 ROKEVA STREET EASTWOOD NSW 2122 Australia
Imported to USA: Sanven Technology Ltd.
 Suite 250, 9166 Anaheim Place, Rancho Cucamonga, CA 91730

VEVOR[®]
 TOUGH TOOLS, HALF PRICE

Technical Support and E-Warranty Certificate
www.vevor.com/support

Door Handle lock

We continue to be committed to provide you tools with competitive price. "Save Half", "Half Price" or any other similar expressions used by us only represents an estimate of savings you might benefit from buying certain tools with us compared to the major top brands and does not necessarily mean to cover all categories of tools offered by us. You are kindly reminded to verify carefully when you are placing an order with us if you are actually saving half in comparison with the top major brands.

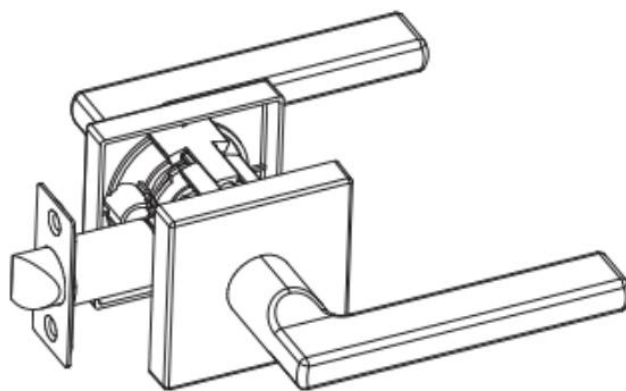
VEVOR[®]
 TOUGH TOOLS, HALF PRICE

Technical Support and E-Warranty Certificate
www.vevor.com/support

05

V mi R
TOUGH DOORS, O PÓŁ PRZY

KJ2118-PS-CZARNY



NEED HELP? CONTACT US!

Have product questions? Need technical support? Please feel free to contact us:

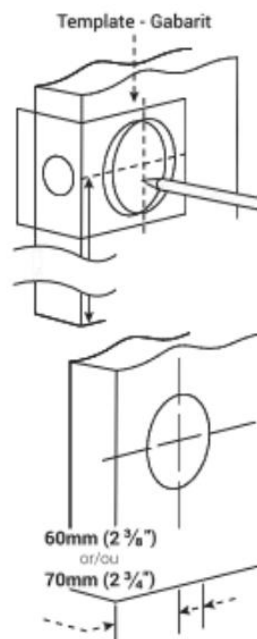
Technical Support and E-Warranty Certificate
www.vevor.com/support

To jest oryginalna instrukcja, przed rozpoczęciem użytkowania należy uważnie przeczytać wszystkie instrukcje. VEVOR zastrzega sobie jasną interpretację naszej instrukcji obsługi. Wygląd produktów będzie zależał od produktu, który otrzymałeś. Prosimy o wybaczenie, że nie poinformujemy Cię ponownie, jeśli czy w naszym produkcie są dostępne jakieś aktualizacje technologii lub oprogramowania.

1

Recommendation:
965mm (38") from the floor
Recommandation:
965mm (38") du sol

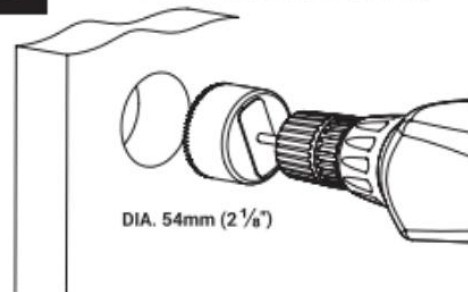
Trace the holes on the door.
Tracer les trous sur la porte.



2

Drill the hole into the door.
Percer le trou dans la porte.

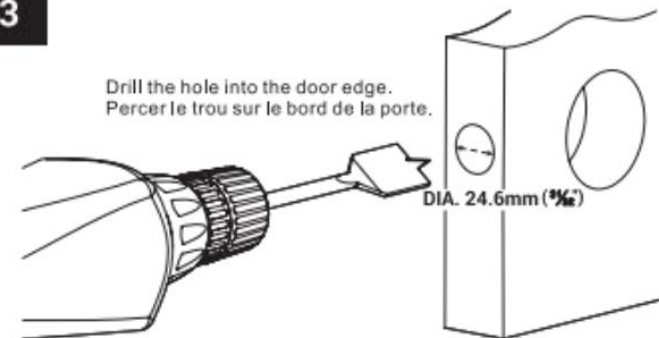
DIA. 54mm (2 1/8")



3

Drill the hole into the door edge.
Percer le trou sur le bord de la porte.

DIA. 24.6mm (3/8")

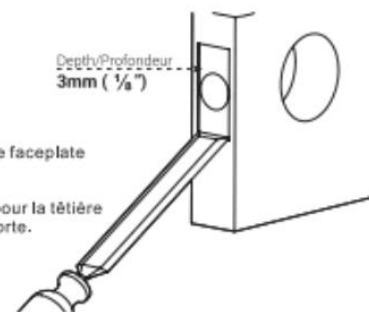


4

Cut the hole for the faceplate
on the door edge.

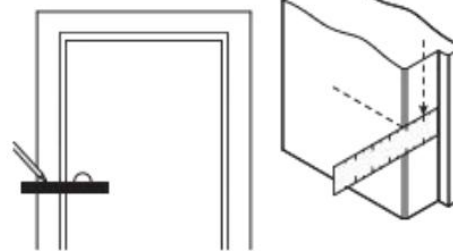
Découper le trou pour la tête
sur le bord de la porte.

Depth/Profondeur
3mm (1/8")



5

Trace the hole for strike plate on door
jamb.
Tracer le trou pour la gâche
sur le cadre de porte.

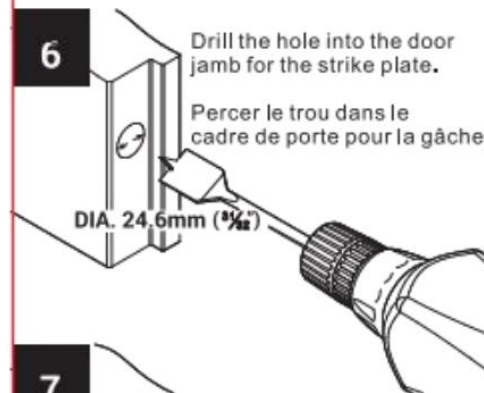


6

Drill the hole into the door
jamb for the strike plate.

Percer le trou dans le
cadre de porte pour la gâche.

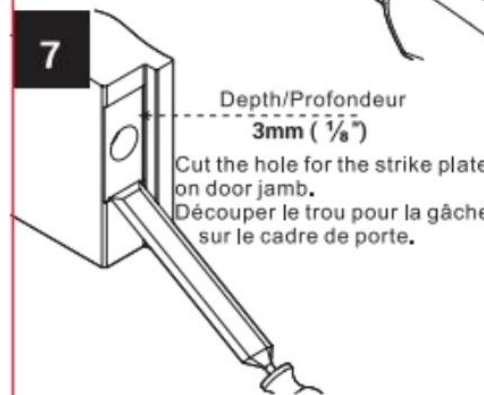
DIA. 24.6mm (3/8")



7

Cut the hole for the strike plate
on door jamb.
Découper le trou pour la gâche
sur le cadre de porte.

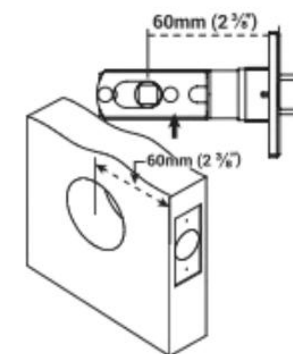
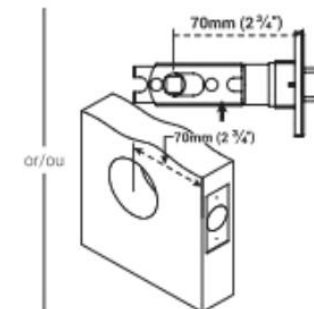
Depth/Profondeur
3mm (1/8")



1

Optional
Optionnel

Adjust latch length.
Ajuster la longueur du pêne.

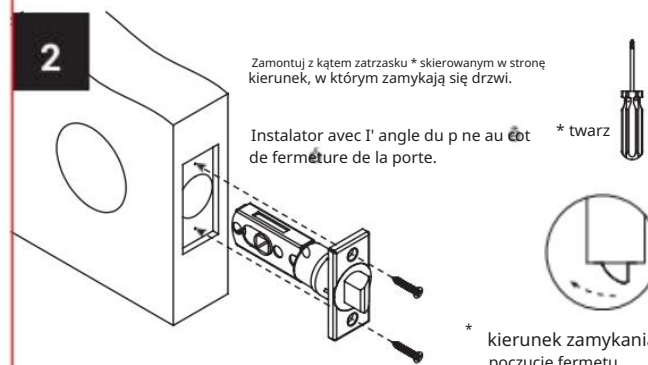


2

Zamontuj z kątem zatrasku * skierowanym w stronę
kierunek, w którym zamykają się drzwi.

Instalator avec l'angle du pêne au *
de fermeture de la porte.

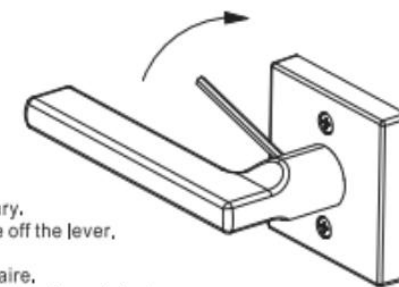
*
kierunek zamykania
poczucie fermetu



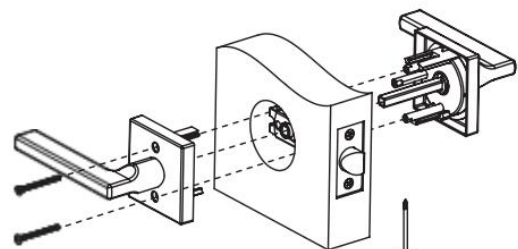
3

Reverse the levers if necessary.
Unscrew the set screw to take off the lever.

Inverser les leviers si nécessaire.
Dévisser la vis de pression pour enlever le levier.



4



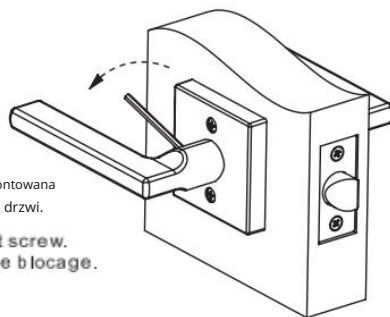
Install and screw the handles.

*For entry door, the screws must be indoor.

Installer et visser les poignées.

Ta część uchwyty
powinna zostać zamontowana
za drzwiami.

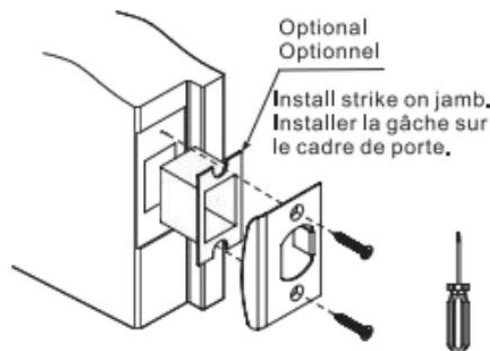
5



Ta część uchwyty
powinna zostać zamontowana
wewnętrzna strona drzwi.

Tighten the set screw.
Serrer la vis de blocage.

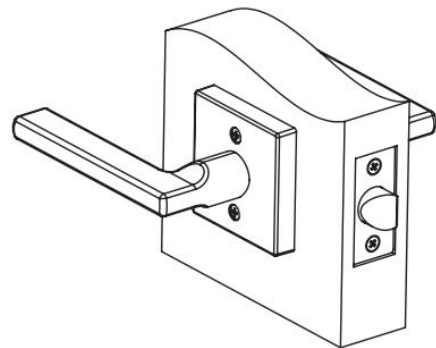
6



Optional
Optionnel

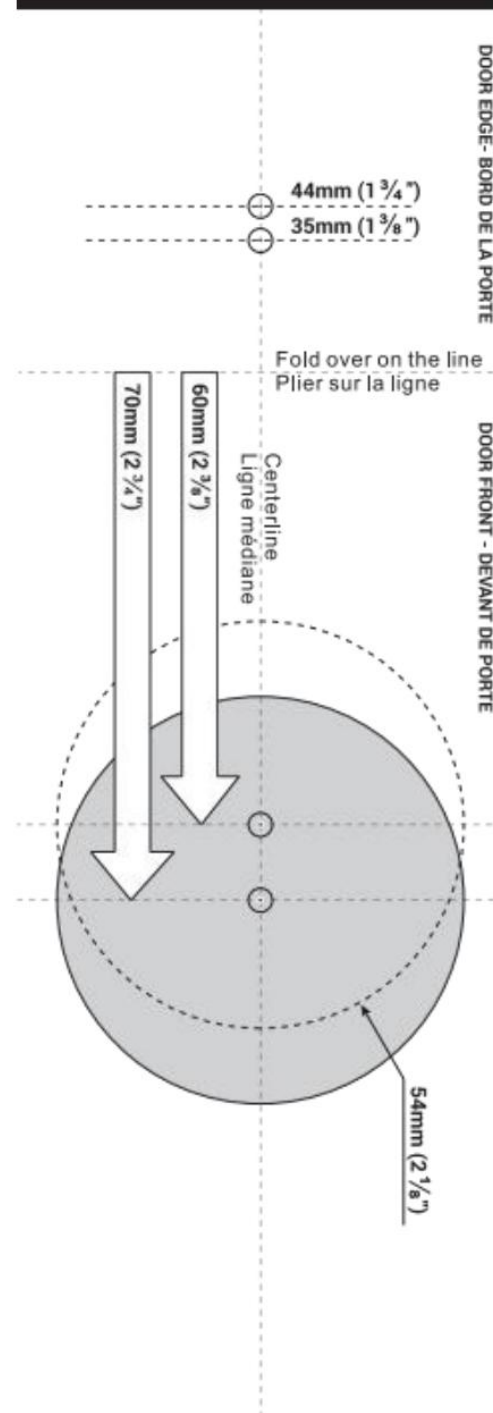
Install strike on jamb.
Installer la gâche sur
le cadre de porte.

7



05

TEMPLATE - GABARIT



06

Manufacturer: Shanghai muxinmuyeyouxiangongsi

Address: Shuangchenglu 803nong11hao1602A-1609shi, baoshanqu, shanghai 200000 CN.

EC REP: E-CrossStu GmbH
Mainzer Landstr.69, 60329 Frankfurt am Main.

UK REP: YH CONSULTING LIMITED.
C/O YH Consulting Limited Office 147, Centurion House, London Road,
Staines-upon-Thames, Surrey, TW18 4AX

Imported to AUS: SIHAO PTY LTD.
1 ROKEVA STREET EASTWOOD NSW 2122 Australia

Imported to USA: Sanven Technology Ltd.
Suite 250, 9166 Anaheim Place, Rancho Cucamonga, CA 91730

VEVOR®

TOUGH TOOLS, HALF PRICE

Technical Support and E-Warranty Certificate
www.vevor.com/support

Door Handle lock

We continue to be committed to provide you tools with competitive price. "Save Half", "Half Price" or any other similar expressions used by us only represents an estimate of savings you might benefit from buying certain tools with us compared to the major top brands and does not necessarily mean to cover all categories of tools offered by us. You are kindly reminded to verify carefully when you are placing an order with us if you are actually saving half in comparison with the top major brands.

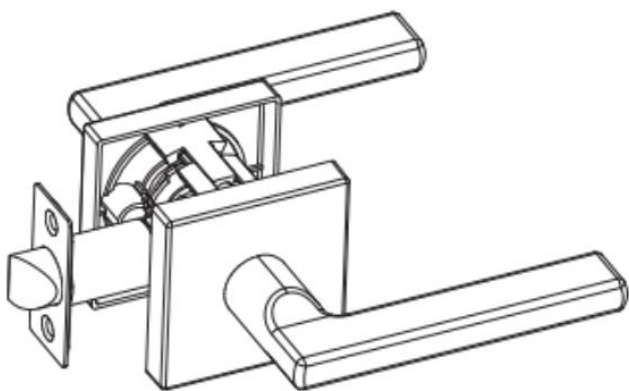
VEVOR®

TOUGH TOOLS, HALF PRICE

Technical Support and E-Warranty Certificate
www.vevor.com/support

EE R®
TOCCARE HA VOLSO MEZZO PRISO

KJ2118-PS-NERO



NEED HELP? CONTACT US!

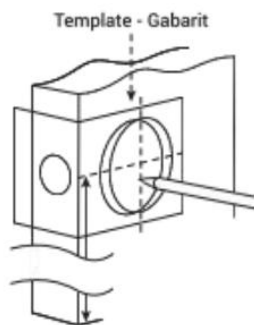
Have product questions? Need technical support? Please feel free to contact us:

Technical Support and E-Warranty Certificate
www.vevor.com/support

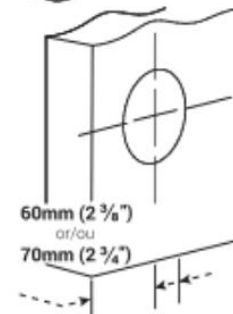
Queste sono le istruzioni originali, leggere attentamente tutte le istruzioni del manuale prima di utilizzare il prodotto. VEVOR si riserva la chiara interpretazione del nostro manuale utente. L'aspetto del prodotto sarà soggetto al prodotto ricevuto. Vi preghiamo di perdonarci se non vi informeremo di nuovo se ci sono aggiornamenti tecnologici o software sul nostro prodotto.

1

Recommendation:
965mm (38") from the floor
Recommandation:
965mm (38") du sol

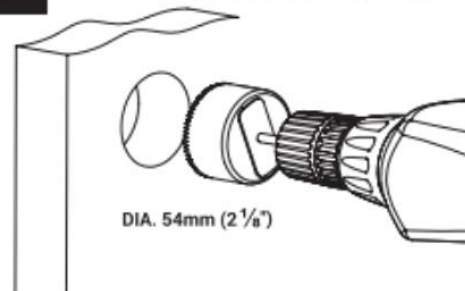


Trace the holes on the door.
Tracer les trous sur la porte.



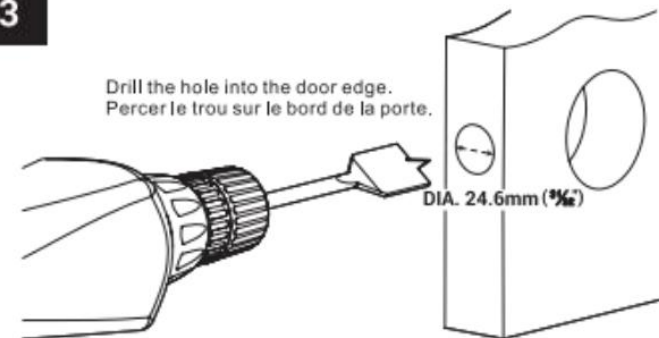
2

Drill the hole into the door.
Perçer le trou dans la porte.



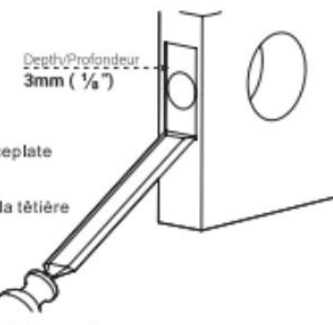
3

Drill the hole into the door edge.
Perçer le trou sur le bord de la porte.



4

Cut the hole for the faceplate on the door edge.
Découper le trou pour la tête sur le bord de la porte.



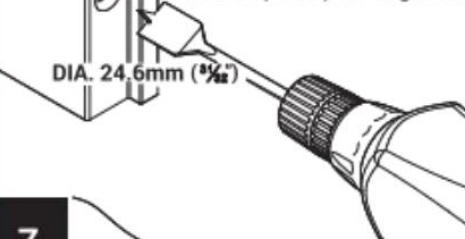
5

Trace the hole for strike plate on door jamb.
Tracer le trou pour la gâche sur le cadre de porte.



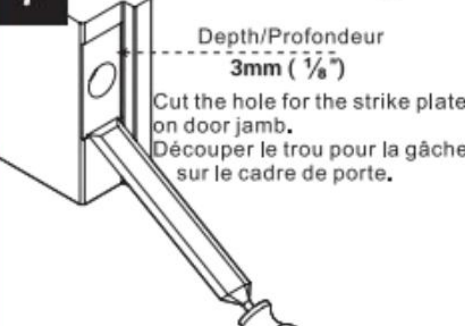
6

Drill the hole into the door jamb for the strike plate.
Perçer le trou dans le cadre de porte pour la gâche.



7

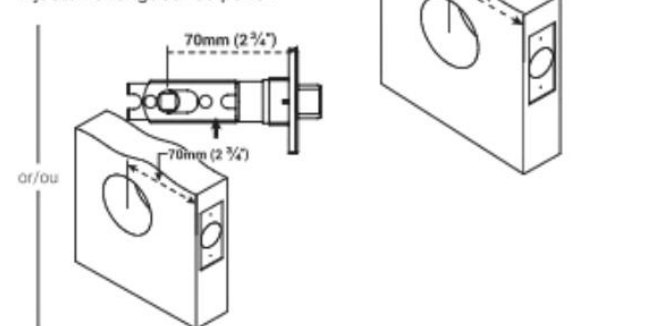
Cut the hole for the strike plate on door jamb.
Découper le trou pour la gâche sur le cadre de porte.



1

Optional
Optionnel

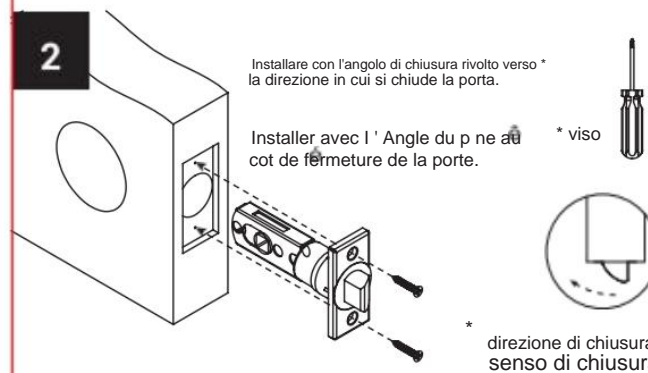
Adjust latch length.
Ajuster la longueur du pêne.



2

Installare con l'angolo di chiusura rivolto verso la direzione in cui si chiude la porta.

Installer avec l'Angle du pêne au cot de fermeture de la porte.

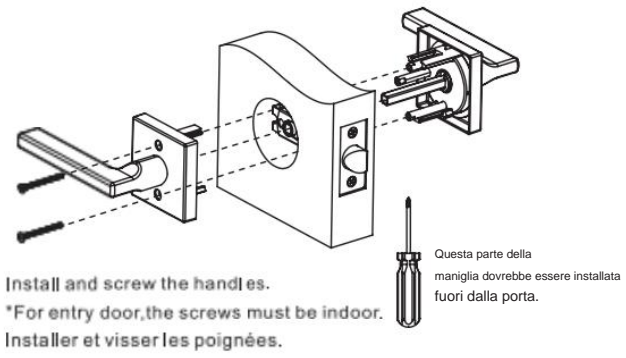


3

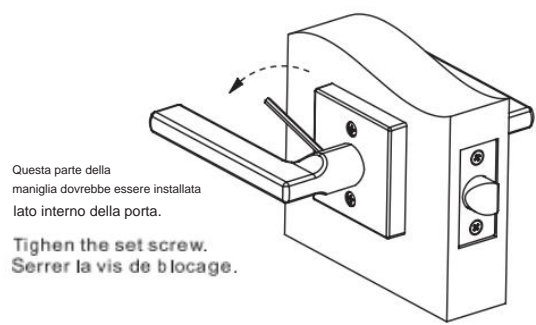
Reverse the levers if necessary.
Unscrew the set screw to take off the lever.

Inverser les leviers si nécessaire.
Dévisser la vis de pression pour enlever le levier.

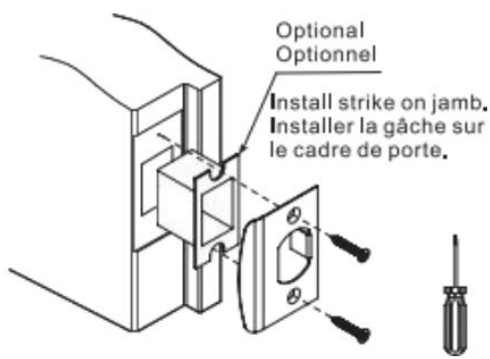
4



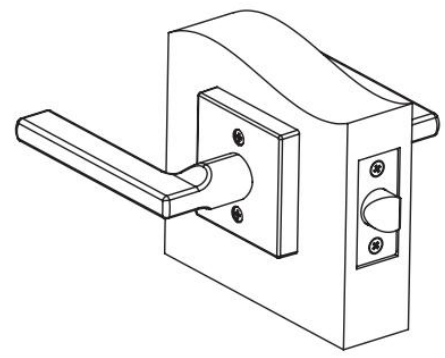
5



6

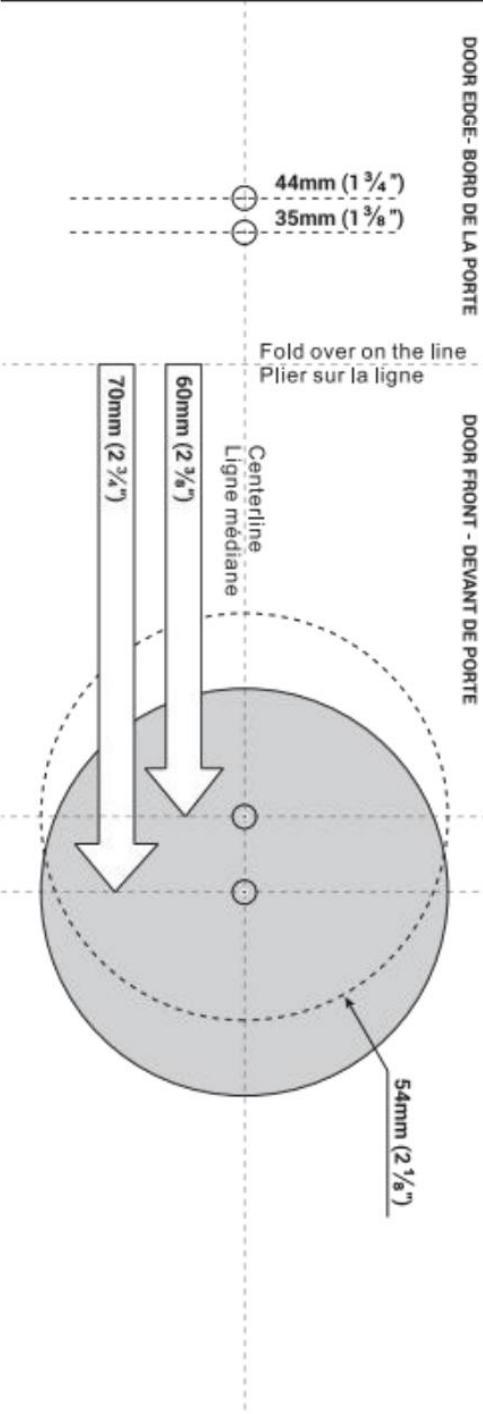


7



05

TEMPLATE - GABARIT



06

Manufacturer: Shanghai muxinmuyeyouxiangongsi
Address: Shuangchenglu 803nong11hao1602A-1609shi, baoshanqu, shanghai 200000 CN.
EC REP: E-CrossStu GmbH
 Mainzer Landstr.69, 60329 Frankfurt am Main.
UK REP: YH CONSULTING LIMITED.
 C/O YH Consulting Limited Office 147, Centurion House, London Road, Staines-upon-Thames, Surrey, TW18 4AX
Imported to AUS: SIHAO PTY LTD.
 1 ROKEVA STREESTEASTWOOD NSW 2122 Australia
Imported to USA: Sanven Technology Ltd.
 Suite 250, 9166 Anaheim Place, Rancho Cucamonga, CA 91730

VEVOR[®]
 TOUGH TOOLS, HALF PRICE

Technical Support and E-Warranty Certificate
www.vevor.com/support

Door Handle lock

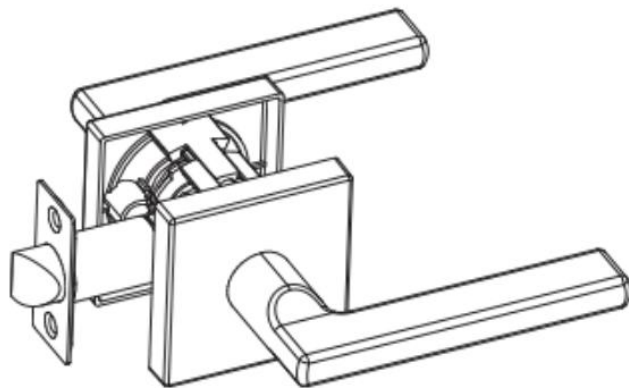
We continue to be committed to provide you tools with competitive price. "Save Half", "Half Price" or any other similar expressions used by us only represents an estimate of savings you might benefit from buying certain tools with us compared to the major top brands and does not necessarily mean to cover all categories of tools offered by us. You are kindly reminded to verify carefully when you are placing an order with us if you are actually saving half in comparison with the top major brands.

VEVOR[®]
 TOUGH TOOLS, HALF PRICE

Technical Support and E-Warranty Certificate
www.vevor.com/support

V mi R
TOGOH A V OLS,O MEDIA PARROZ

KJ2118-PS-BLK



NEED HELP? CONTACT US!

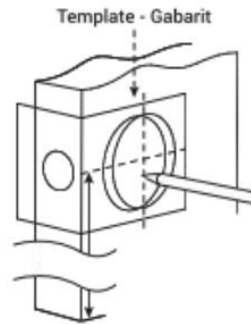
Have product questions? Need technical support? Please feel free to contact us:

Technical Support and E-Warranty Certificate
www.vevor.com/support

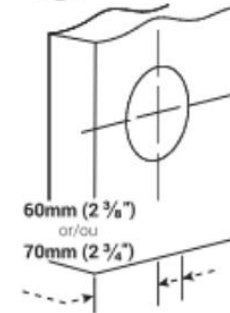
Estas son las instrucciones originales, lea atentamente todas las instrucciones del manual antes de operar. VEVOR se reserva la interpretación clara de nuestro manual de usuario. La apariencia del producto estará sujeta al producto que usted recibió. Por favor, permóntenos por no informarle nuevamente si ¿Hay alguna actualización tecnológica o de software en nuestro producto?

1

Recommendation:
965mm (38") from the floor
Recommandation:
965mm (38") du sol

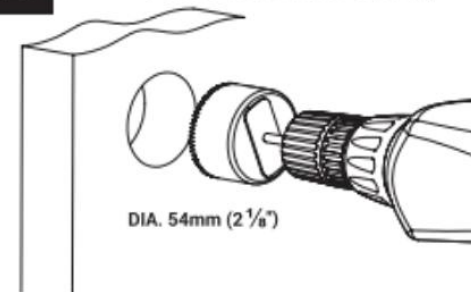


Trace the holes on the door.
Tracer les trous sur la porte.



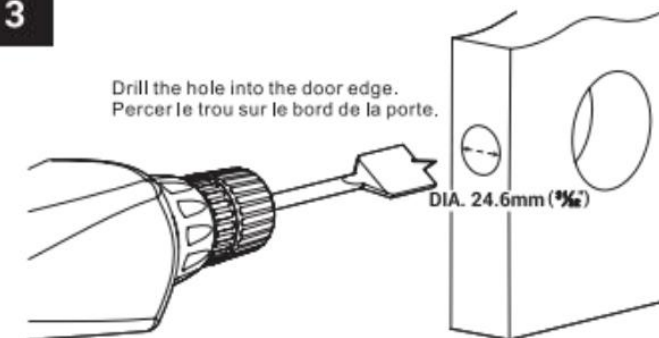
2

Drill the hole into the door.
Percer le trou dans la porte.



3

Drill the hole into the door edge.
Percer le trou sur le bord de la porte.

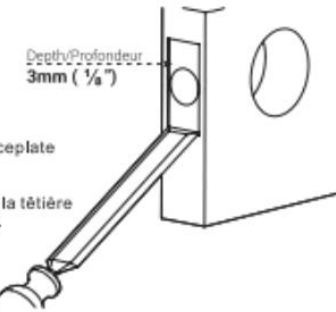


02

4

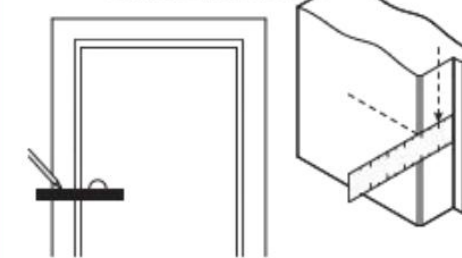
Cut the hole for the faceplate
on the door edge.

Découper le trou pour la têtère
sur le bord de la porte.



5

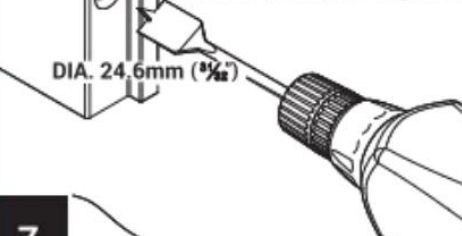
Trace the hole for strike plate on door
jamb.
Tracer le trou pour la gâche
sur le cadre de porte.



6

Drill the hole into the door
jamb for the strike plate.

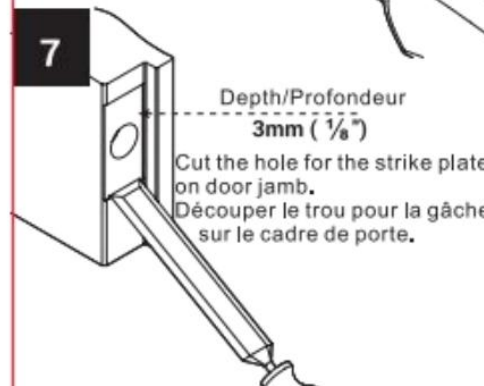
Percer le trou dans le
cadre de porte pour la gâche.



7

Depth/Profondeur
3mm (1/8")

Cut the hole for the strike plate
on door jamb.
Découper le trou pour la gâche
sur le cadre de porte.

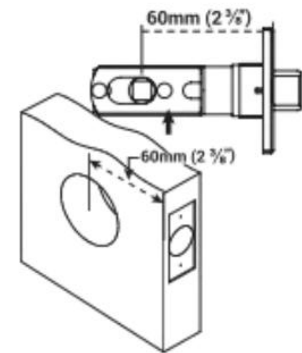
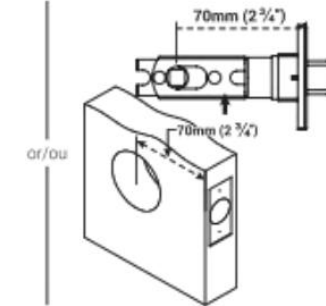


03

1

Optional
Optionnel

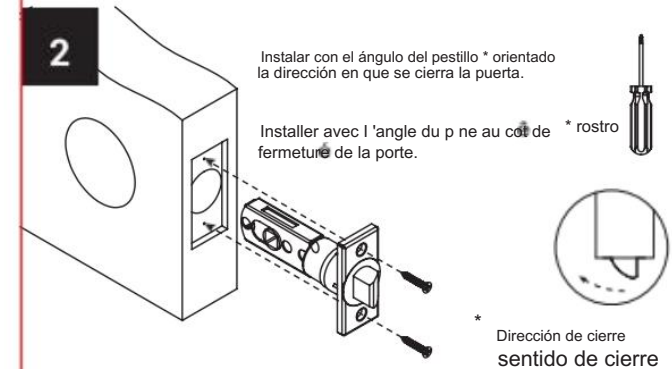
Adjust latch length.
Ajuster la longueur du pêne.



2

Instalar con el ángulo del pestillo * orientado
la dirección en que se cierra la puerta.

Installer avec l'angle du pêne au côté de * rostro
fermeture de la porte.

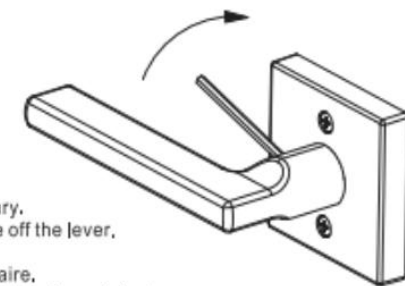


* Dirección de cierre
sentido de cierre

3

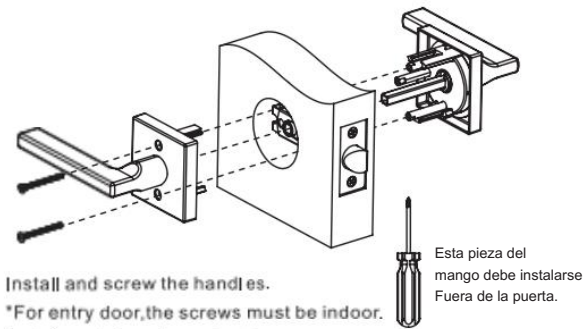
Reverse the levers if necessary.
Unscrew the set screw to take off the lever.

Inverser les leviers si nécessaire.
Dévisser la vis de pression pour enlever le levier.

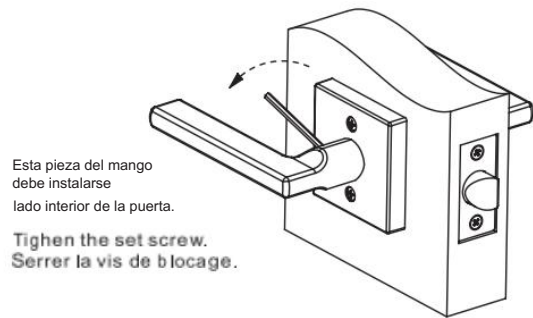


04

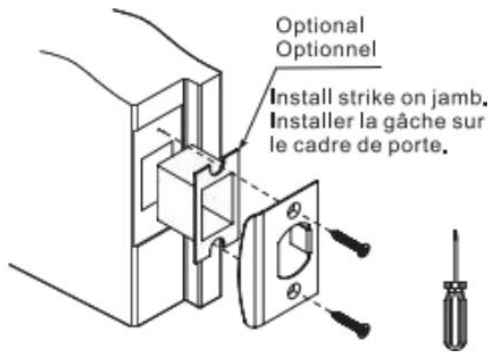
4



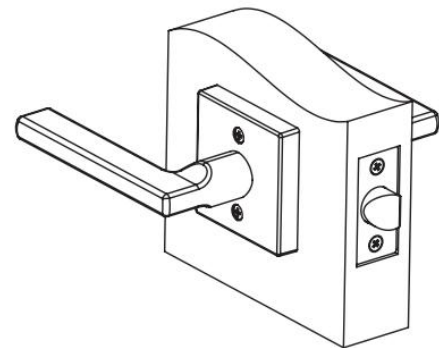
5



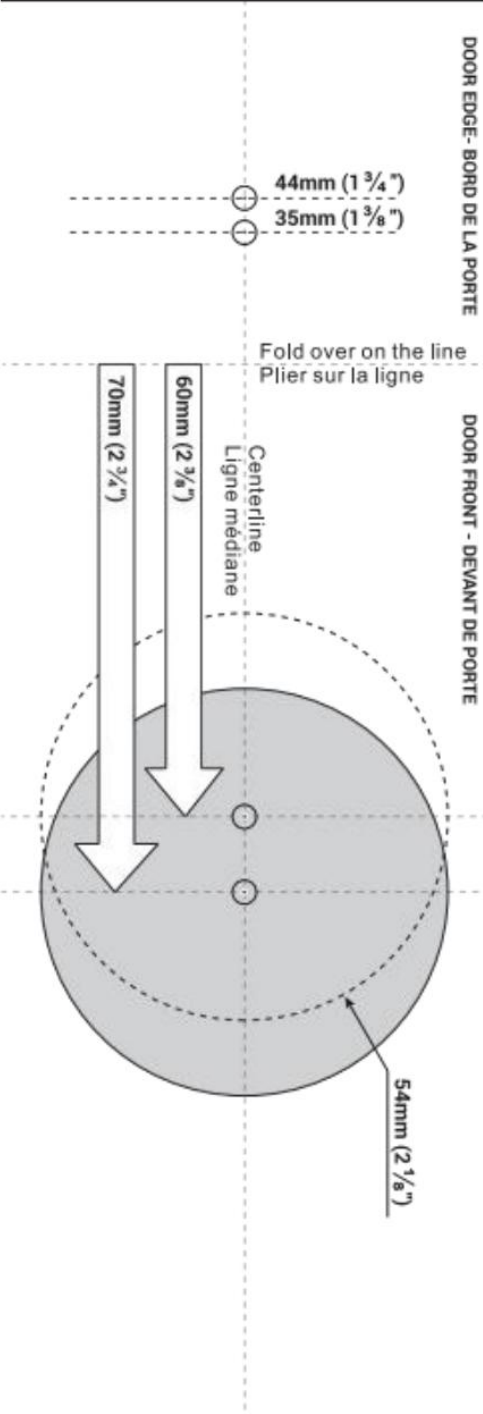
6



7



TEMPLATE - GABARIT



Manufacturer: Shanghai muxinmuyeyouxiangongsi
Address: Shuangchenglu 803nong11hao1602A-1609shi, baoshanqu, shanghai 200000 CN.
EC REP: E-CrossStu GmbH
 Mainzer Landstr.69, 60329 Frankfurt am Main.
UK REP: YH CONSULTING LIMITED.
 C/O YH Consulting Limited Office 147, Centurion House, London Road, Staines-upon-Thames, Surrey, TW18 4AX
Imported to AUS: SIHAO PTY LTD.
 1 ROKEVA STREESTEASTWOOD NSW 2122 Australia
Imported to USA: Sanven Technology Ltd.
 Suite 250, 9166 Anaheim Place, Rancho Cucamonga, CA 91730

VEVOR[®]
 TOUGH TOOLS, HALF PRICE

Technical Support and E-Warranty Certificate
www.vevor.com/support

Door Handle lock

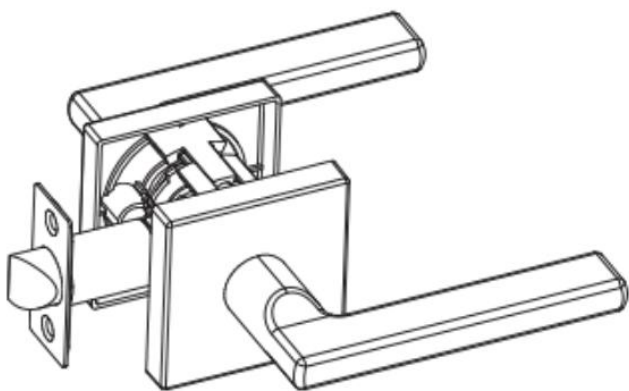
We continue to be committed to provide you tools with competitive price. "Save Half", "Half Price" or any other similar expressions used by us only represents an estimate of savings you might benefit from buying certain tools with us compared to the major top brands and does not necessarily mean to cover all categories of tools offered by us. You are kindly reminded to verify carefully when you are placing an order with us if you are actually saving half in comparison with the top major brands.

VEVOR[®]
 TOUGH TOOLS, HALF PRICE

Technical Support and E-Warranty Certificate
www.vevor.com/support

VEVOR®
 TUGT H TILLV OLS,O HALV PRIS

KJ2118-PS-BLK



NEED HELP? CONTACT US!

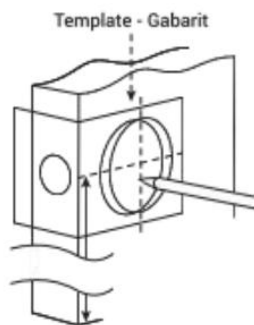
Have product questions? Need technical support? Please feel free to contact us:

Technical Support and E-Warranty Certificate
www.vevor.com/support

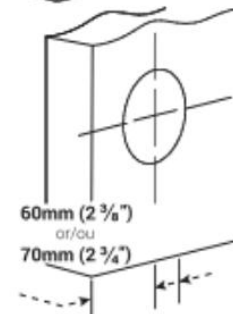
Detta är den ursprungliga instruktionen, läs alla instruktioner noggrant innan du använder den. VEVOR reserverar sig för en tydlig tolkning av vår användarmanual. Utseendet på produkterna är beroende av den produkt du fått. ursäkta oss att vi inte kommer att informera dig igen om det finns någon teknik eller mjukvaruuppdateringar på vår produkt.

1

Recommendation:
 965mm (38") from the floor
Recommandation:
 965mm (38") du sol

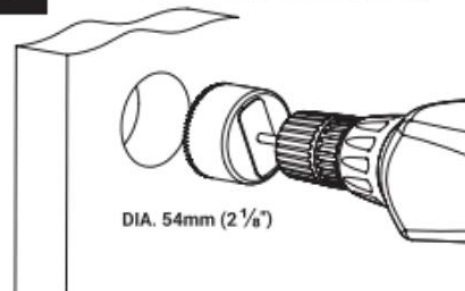


Trace the holes on the door.
 Tracer les trous sur la porte.



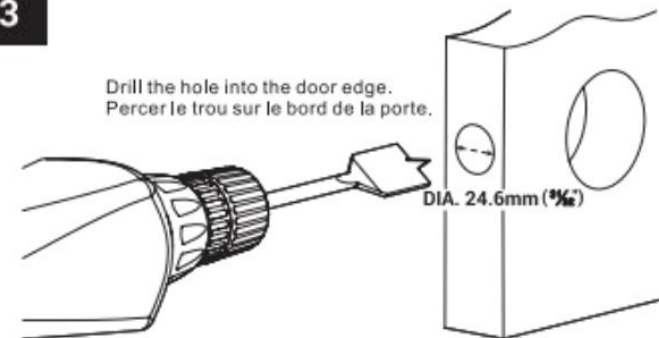
2

Drill the hole into the door.
 Percer le trou dans la porte.



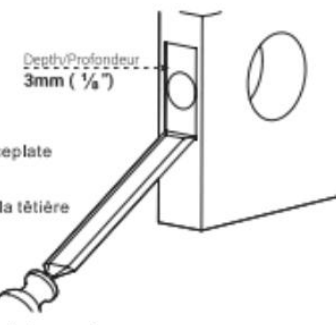
3

Drill the hole into the door edge.
 Percer le trou sur le bord de la porte.



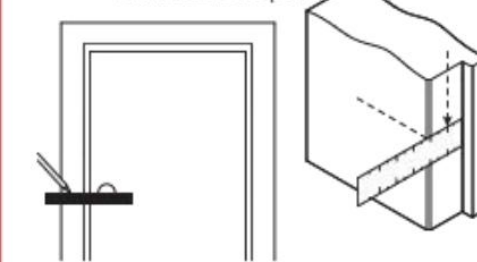
4

Cut the hole for the faceplate on the door edge.
 Découper le trou pour la tête sur le bord de la porte.



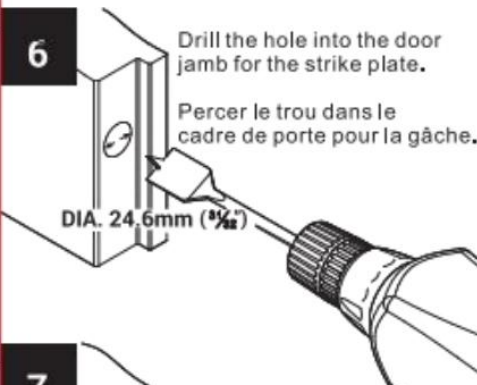
5

Trace the hole for strike plate on door jamb.
 Tracer le trou pour la gâche sur le cadre de porte.



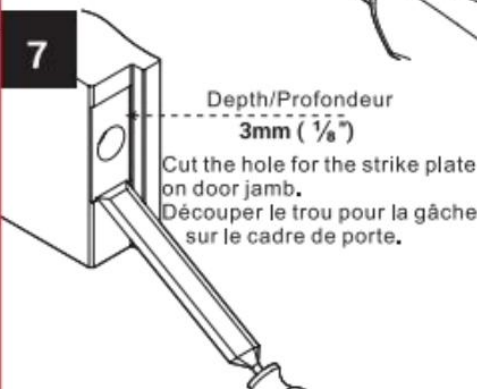
6

Drill the hole into the door jamb for the strike plate.
 Percer le trou dans le cadre de porte pour la gâche.



7

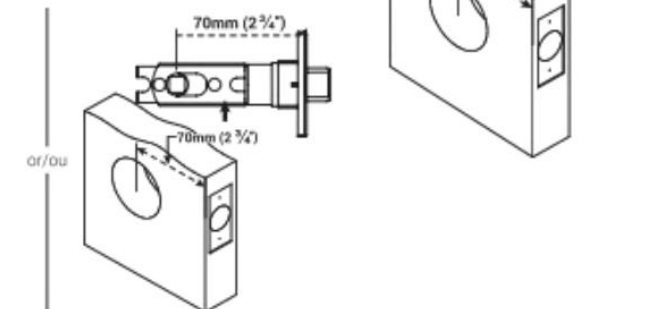
Cut the hole for the strike plate on door jamb.
 Découper le trou pour la gâche sur le cadre de porte.



1

Optional
 Optionnel

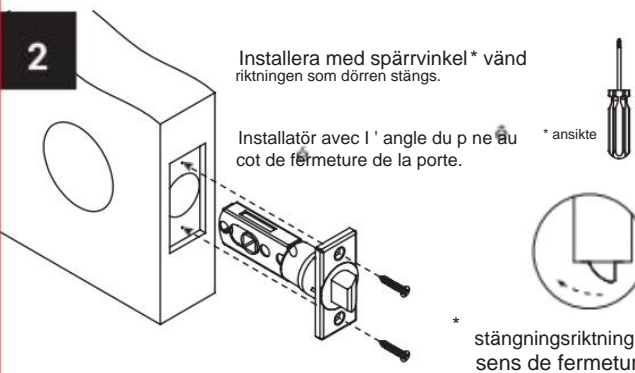
Adjust latch length.
 Ajuster la longueur du pêne.



2

Installera med spärrvinkel* vänd riktningen som dörren stängs.

Instalator avec l'angle du pêne *ansikte cot de fermeture de la porte.

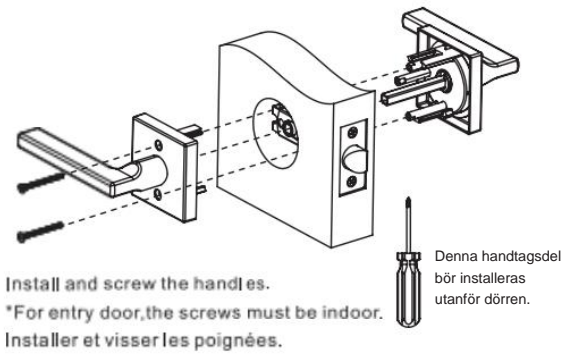


3

Reverse the levers if necessary.
 Unscrew the set screw to take off the lever.

Inverser les leviers si nécessaire.
 Dévisser la vis de pression pour enlever le levier.

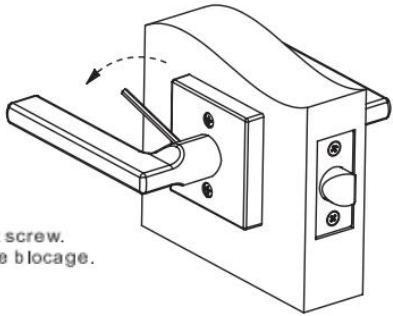
4



Install and screw the handles.
*For entry door, the screws must be indoor.
Installer et visser les poignées.

Denna handtagsdel
bör installeras
utanför dörren.

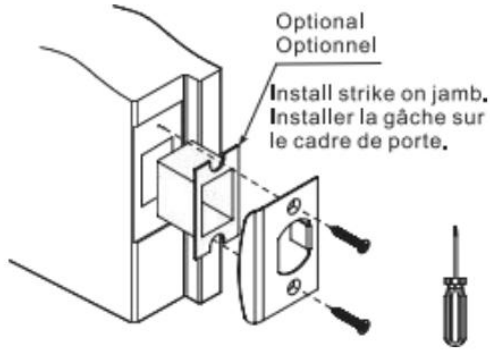
5



Tighen the set screw.
Serrer la vis de blocage.

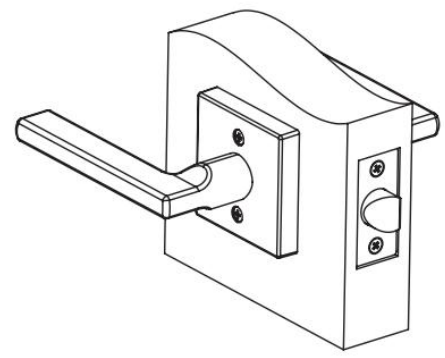
Denna handtagsdel
bör installeras
insidan av dörren.

6



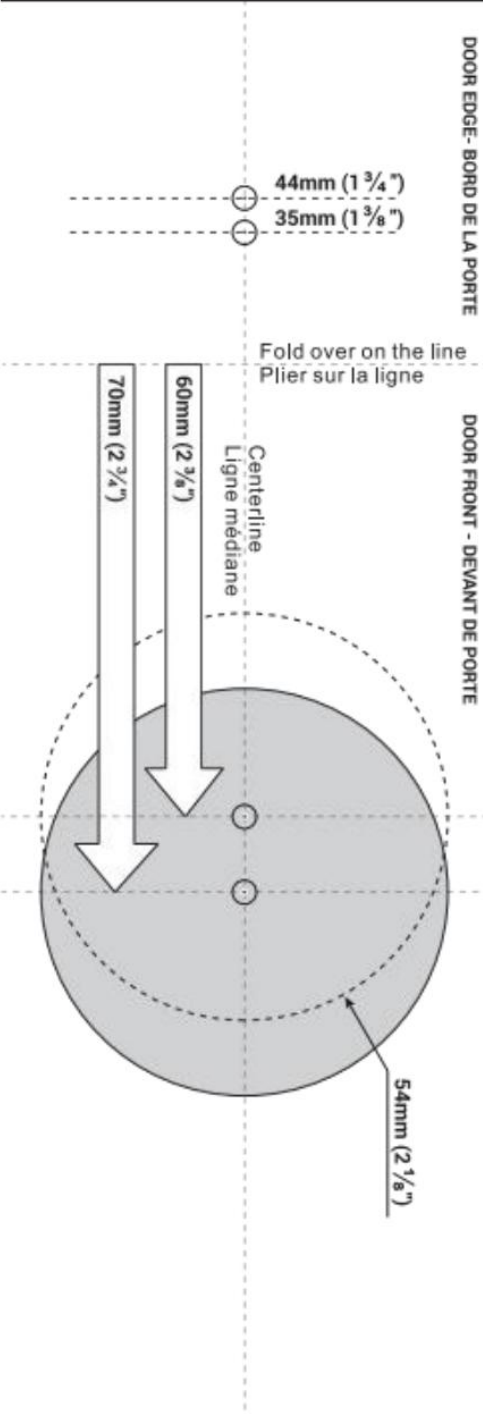
Optional
Optionnel
Install strike on jamb.
Installer la gâche sur
le cadre de porte.

7



05

TEMPLATE - GABARIT



06

Manufacturer: Shanghai muxinmuyeyouxiangongsi
Address: Shuangchenglu 803nong11hao1602A-1609shi, baoshanqu, shanghai 200000 CN.
EC REP: E-CrossStu GmbH
 Mainzer Landstr.69, 60329 Frankfurt am Main.
UK REP: YH CONSULTING LIMITED.
 C/O YH Consulting Limited Office 147, Centurion House, London Road, Staines-upon-Thames, Surrey, TW18 4AX
Imported to AUS: SIHAO PTY LTD.
 1 ROKEVA STREESTEASTWOOD NSW 2122 Australia
Imported to USA: Sanven Technology Ltd.
 Suite 250, 9166 Anaheim Place, Rancho Cucamonga, CA 91730

VEVOR[®]
 TOUGH TOOLS, HALF PRICE

Technical Support and E-Warranty Certificate
www.vevor.com/support

Door Handle lock

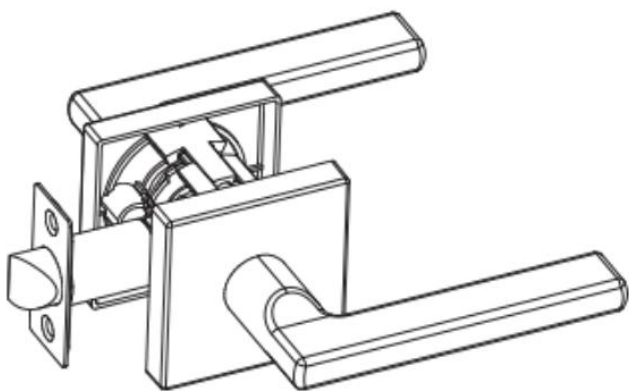
We continue to be committed to provide you tools with competitive price. "Save Half", "Half Price" or any other similar expressions used by us only represents an estimate of savings you might benefit from buying certain tools with us compared to the major top brands and does not necessarily mean to cover all categories of tools offered by us. You are kindly reminded to verify carefully when you are placing an order with us if you are actually saving half in comparison with the top major brands.

VEVOR[®]
 TOUGH TOOLS, HALF PRICE

Technical Support and E-Warranty Certificate
www.vevor.com/support

Vik R
TOG H NAARV OLS,O HALF PRIJST

KJ2118-PS-ZWART



NEED HELP? CONTACT US!

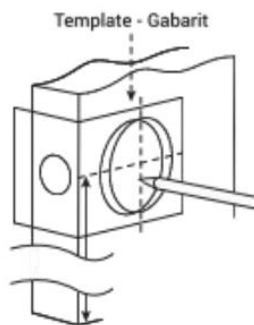
Have product questions? Need technical support? Please feel free to contact us:

Technical Support and E-Warranty Certificate
www.vevor.com/support

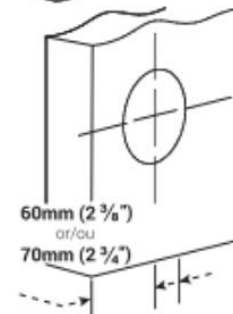
Dit zijn de originele instructies. Lees de volledige handleiding zorgvuldig door voordat u het apparaat gebruikt. VEVOR behoudt zich een duidelijke interpretatie van onze gebruikershandleiding voor. Het uiterlijk van het product is afhankelijk van het product dat u hebt ontvangen. vergeef ons dat we u niet opnieuw zullen informeren als er technologische of software-updates voor ons product zijn.

1

Recommendation:
965mm (38") from the floor
Recommandation:
965mm (38") du sol

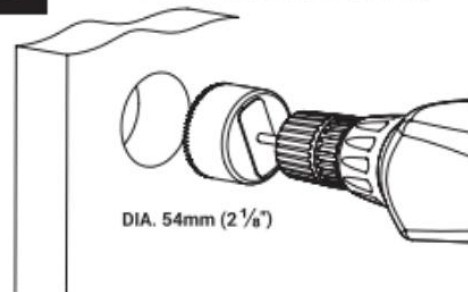


Trace the holes on the door.
Tracer les trous sur la porte.



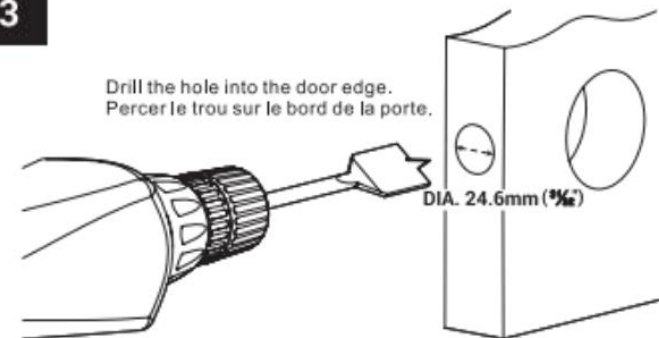
2

Drill the hole into the door.
Percer le trou dans la porte.



3

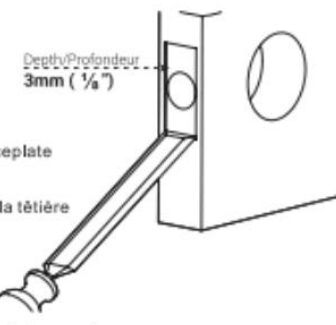
Drill the hole into the door edge.
Percer le trou sur le bord de la porte.



4

Cut the hole for the faceplate on the door edge.

Découper le trou pour la tête de la serrure sur le bord de la porte.



5

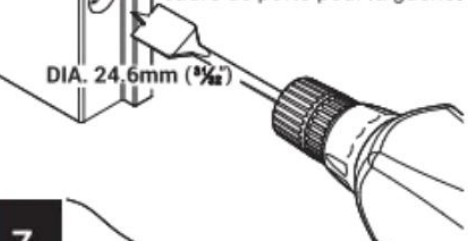
Trace the hole for strike plate on door jamb.
Tracer le trou pour la gâche sur le cadre de porte.



6

Drill the hole into the door jamb for the strike plate.

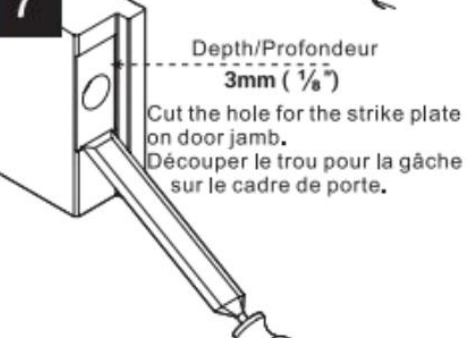
Percer le trou dans le cadre de porte pour la gâche.



7

Depth/Profondeur
3mm (1/8")

Cut the hole for the strike plate on door jamb.
Découper le trou pour la gâche sur le cadre de porte.

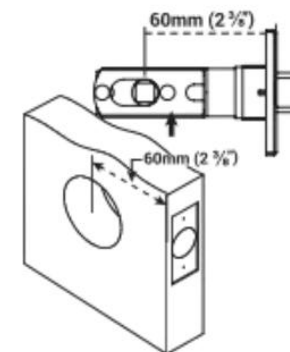
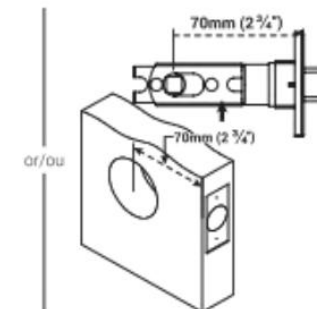


1

Optional
Optionnel



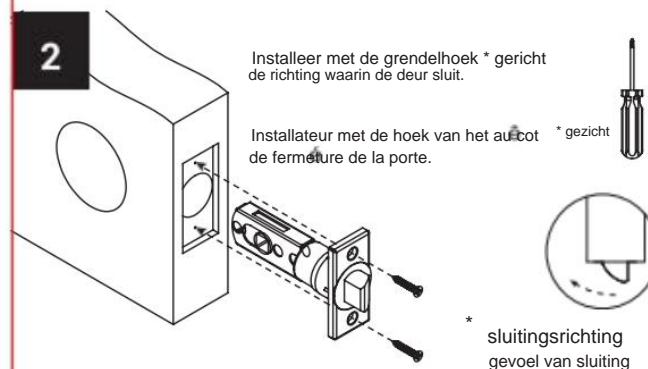
Adjust latch length.
Ajuster la longueur du pêne.



2

Installeer met de grendelhoek * gericht de richting waarin de deur sluit.

Installeer met de hoek van het aubot * gericht de fermeture de la porte.

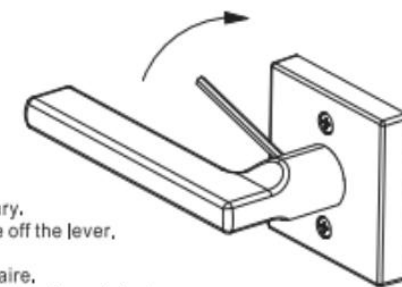


* sluitingsrichting
gevoel van sluiting

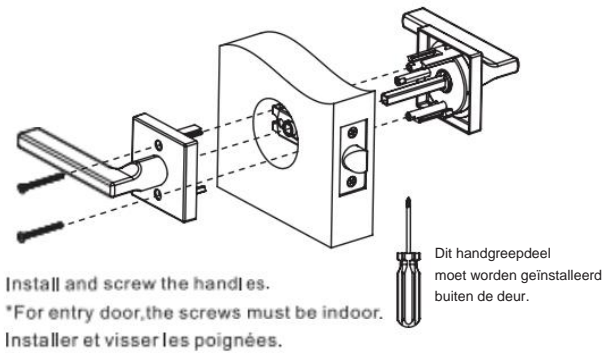
3

Reverse the levers if necessary.
Unscrew the set screw to take off the lever.

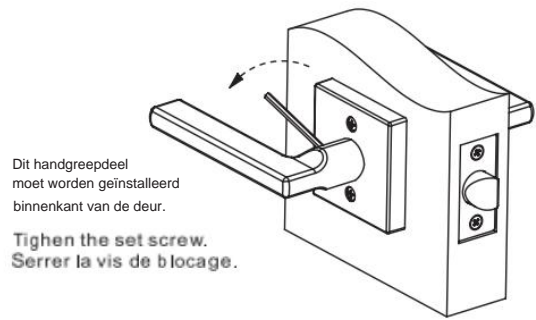
Inverser les leviers si nécessaire.
Dévisser la vis de pression pour enlever le levier.



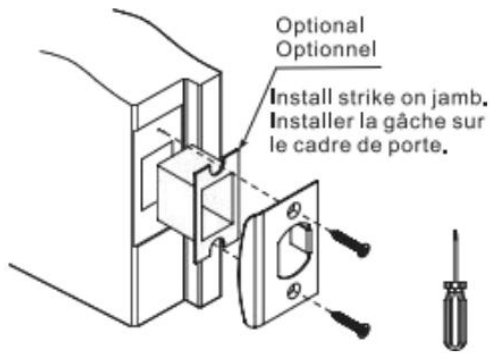
4



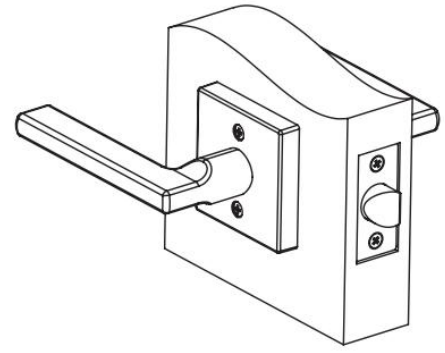
5



6

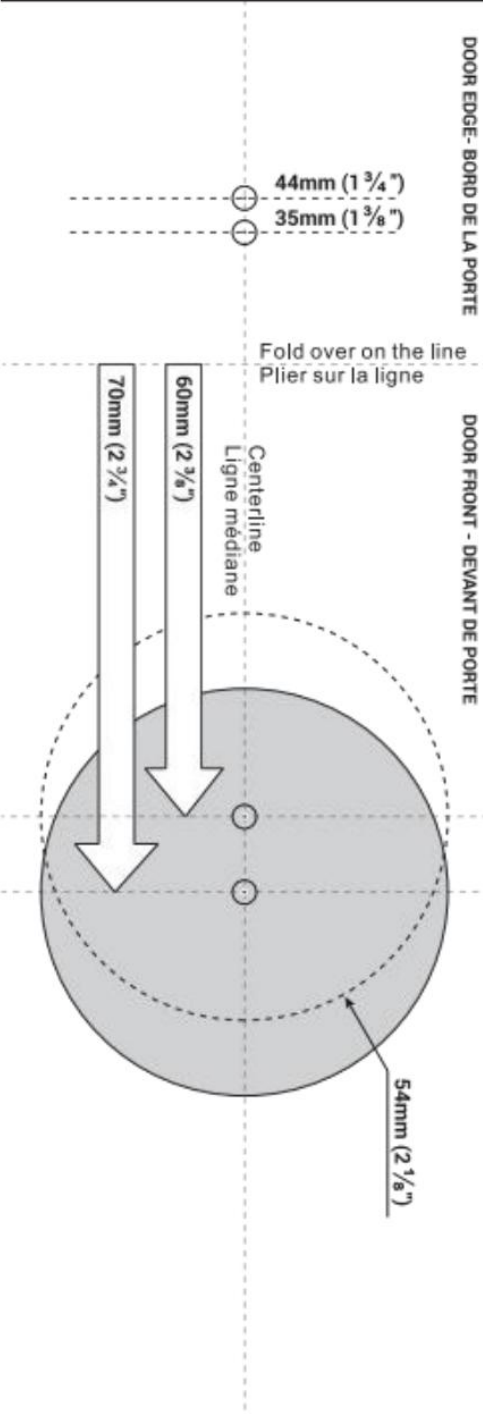


7



05

TEMPLATE - GABARIT



06

Manufacturer: Shanghai muxinmuyeyouxiangongsi
Address: Shuangchenglu 803nong11hao1602A-1609shi, baoshanqu, shanghai 200000 CN.
EC REP: E-CrossStu GmbH
 Mainzer Landstr.69, 60329 Frankfurt am Main.
UK REP: YH CONSULTING LIMITED.
 C/O YH Consulting Limited Office 147, Centurion House, London Road, Staines-upon-Thames, Surrey, TW18 4AX
Imported to AUS: SIHAO PTY LTD.
 1 ROKEVA STREESTEASTWOOD NSW 2122 Australia
Imported to USA: Sanven Technology Ltd.
 Suite 250, 9166 Anaheim Place, Rancho Cucamonga, CA 91730

VEVOR®
 TOUGH TOOLS, HALF PRICE

Technical Support and E-Warranty Certificate
www.vevor.com/support

Door Handle lock

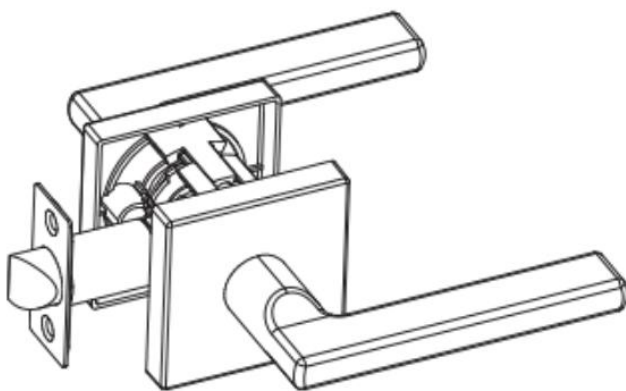
We continue to be committed to provide you tools with competitive price. "Save Half", "Half Price" or any other similar expressions used by us only represents an estimate of savings you might benefit from buying certain tools with us compared to the major top brands and does not necessarily mean to cover all categories of tools offered by us. You are kindly reminded to verify carefully when you are placing an order with us if you are actually saving half in comparison with the top major brands.

VEVOR®
 TOUGH TOOLS, HALF PRICE

Technical Support and E-Warranty Certificate
www.vevor.com/support

VEVOR®
TOUGH AND VERSATILE

KJ2118-PS-BLK



NEED HELP? CONTACT US!

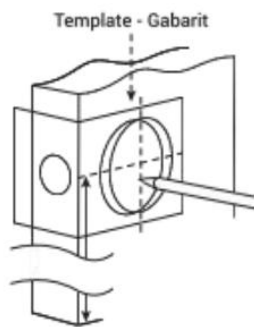
Have product questions? Need technical support? Please feel free to contact us:

Technical Support and E-Warranty Certificate
www.vevor.com/support

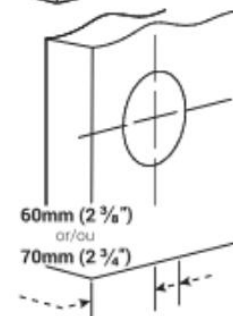
Il s'agit des instructions d'origine, veuillez lire attentivement toutes les instructions du manuel avant de l'utiliser. VEVOR se réserve le droit d'interpréter clairement notre manuel d'utilisation. L'apparence du produit sera soumise au produit que vous avez reçu. Veuillez nous excuser, nous ne vous informerons pas à nouveau si il y a des mises à jour technologiques ou logicielles sur notre produit.

1

Recommendation:
965mm (38") from the floor
Recommandation:
965mm (38") du sol

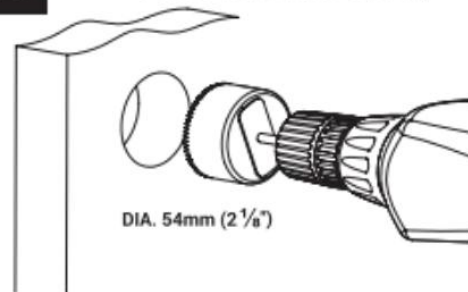


Trace the holes on the door.
Tracer les trous sur la porte.



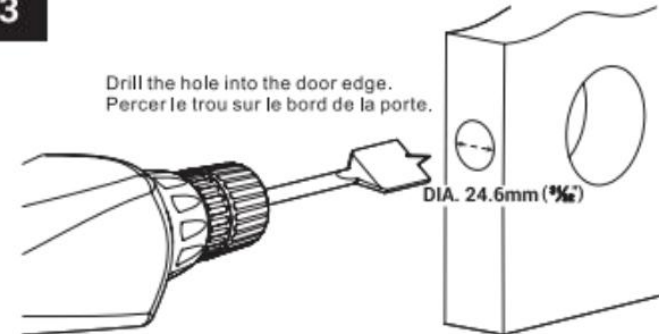
2

Drill the hole into the door.
Perçer le trou dans la porte.



3

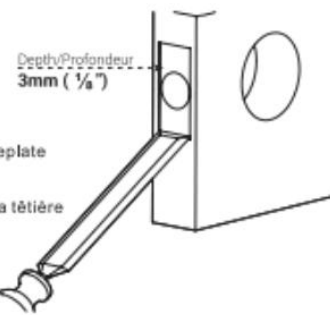
Drill the hole into the door edge.
Perçer le trou sur le bord de la porte.



4

Cut the hole for the faceplate
on the door edge.

Découper le trou pour la tête
sur le bord de la porte.



5

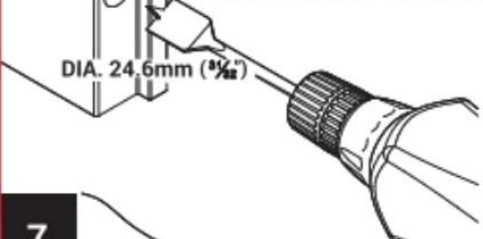
Trace the hole for strike plate on door
jamb.
Tracer le trou pour la gâche
sur le cadre de porte.



6

Drill the hole into the door
jamb for the strike plate.

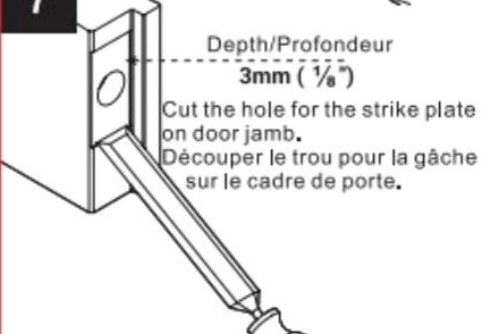
Perçer le trou dans le
cadre de porte pour la gâche.



7

Depth/Profondeur
3mm (1/8")

Cut the hole for the strike plate
on door jamb.
Découper le trou pour la gâche
sur le cadre de porte.

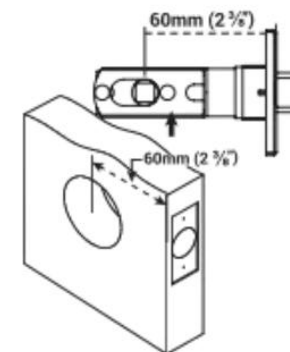
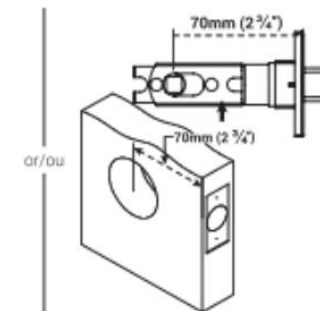


1

Optional
Optionnel



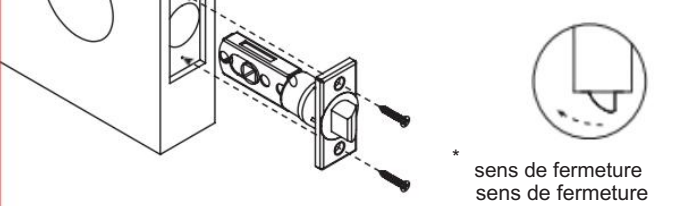
Adjust latch length.
Ajuster la longueur du pêne.



2

Installer avec l'angle du loquet * face
la direction dans laquelle la porte se ferme.

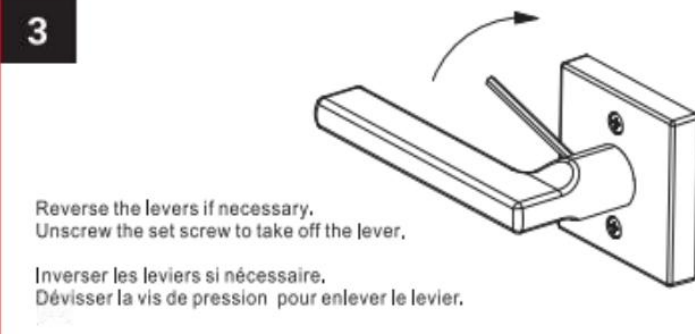
Installer avec l'angle du pêne au dot * affronter
de fermeture de la porte.



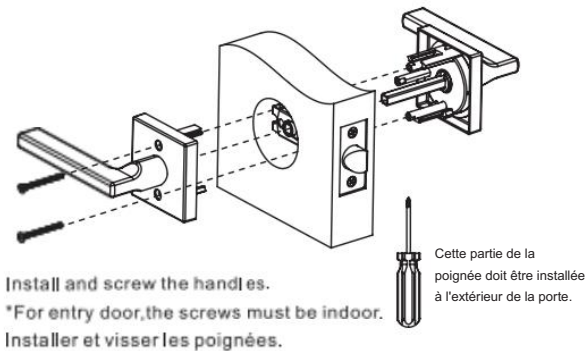
3

Reverse the levers if necessary.
Unscrew the set screw to take off the lever.

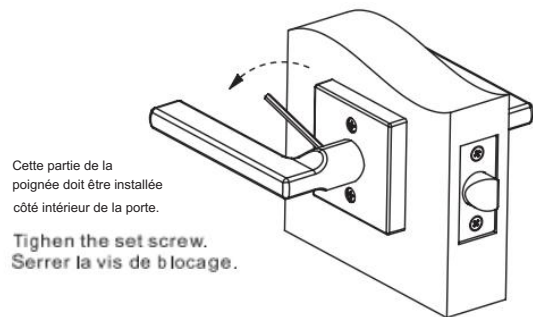
Inverser les leviers si nécessaire.
Dévisser la vis de pression pour enlever le levier.



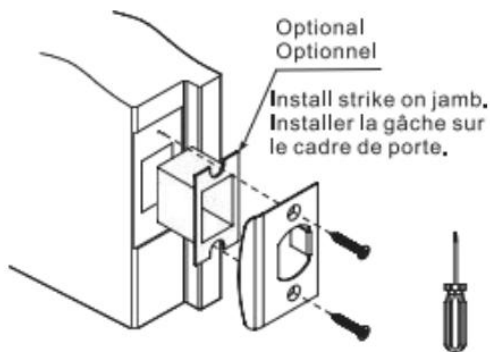
4



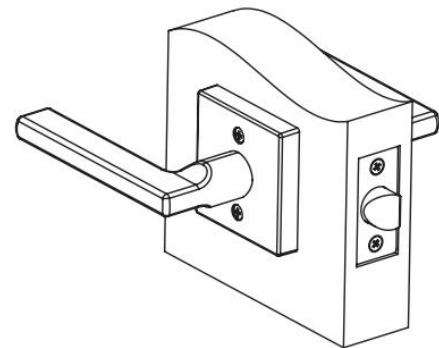
5



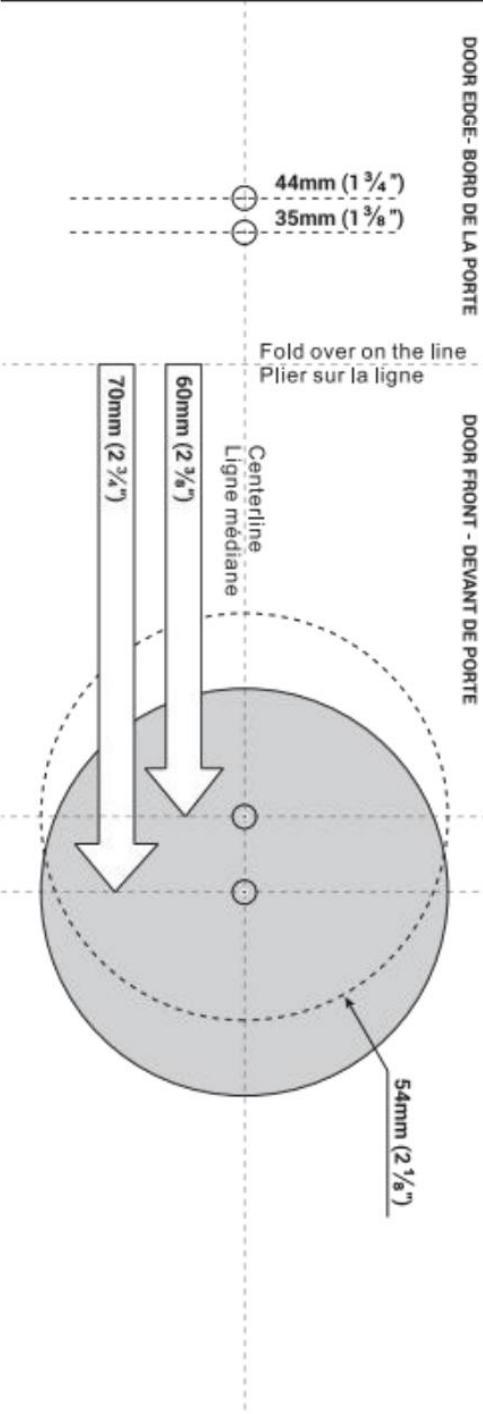
6



7



TEMPLATE - GABARIT



Manufacturer: Shanghai muxinmuyeyouxiangongsi
Address: Shuangchenglu 803nong11hao1602A-1609shi, baoshanqu, shanghai 200000 CN.
EC REP: E-CrossStu GmbH
 Mainzer Landstr.69, 60329 Frankfurt am Main.
UK REP: YH CONSULTING LIMITED.
 C/O YH Consulting Limited Office 147, Centurion House, London Road, Staines-upon-Thames, Surrey, TW18 4AX
Imported to AUS: SIHAO PTY LTD.
 1 ROKEVA STREET EASTWOOD NSW 2122 Australia
Imported to USA: Sanven Technology Ltd.
 Suite 250, 9166 Anaheim Place, Rancho Cucamonga, CA 91730



Technical Support and E-Warranty Certificate
www.vevor.com/support

Door Handle lock

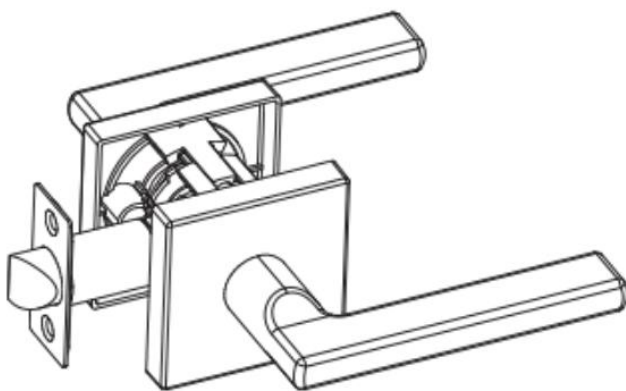
We continue to be committed to provide you tools with competitive price. "Save Half", "Half Price" or any other similar expressions used by us only represents an estimate of savings you might benefit from buying certain tools with us compared to the major top brands and does not necessarily mean to cover all categories of tools offered by us. You are kindly reminded to verify carefully when you are placing an order with us if you are actually saving half in comparison with the top major brands.



Technical Support and E-Warranty Certificate
www.vevor.com/support

VEVOR®
TOUGH ZUVOLLS, O HALB PREIS

KJ2118-PS-BLK



NEED HELP? CONTACT US!

Have product questions? Need technical support? Please feel free to contact us:

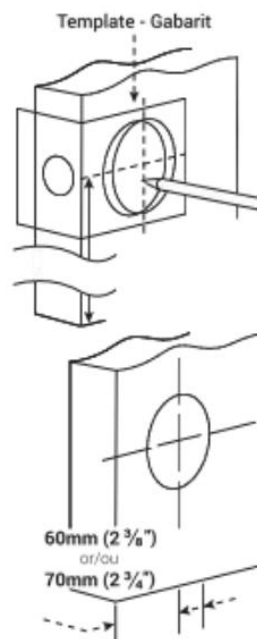
Technical Support and E-Warranty Certificate
www.vevor.com/support

Dies ist die Originalanleitung. Lesen Sie vor der Inbetriebnahme bitte alle Anweisungen im Handbuch sorgfältig durch. VEVOR behält sich die klare Auslegung unseres Benutzerhandbuchs vor. Das Aussehen des Produkts unterliegt dem Produkt, das Sie erhalten haben. Bitte verzeihen Sie uns, dass wir Sie nicht erneut informieren, wenn es gibt Technologie- oder Software-Updates für unser Produkt.

1

Recommendation:
965mm (38") from the floor
Recommandation:
965mm (38") du sol

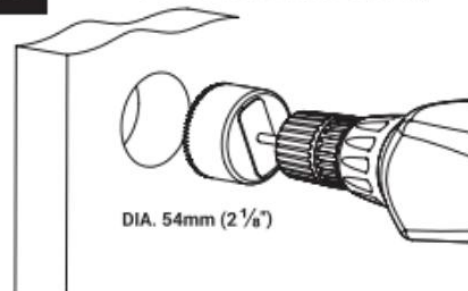
Trace the holes on the door.
Tracer les trous sur la porte.



2

Drill the hole into the door.
Perçer le trou dans la porte.

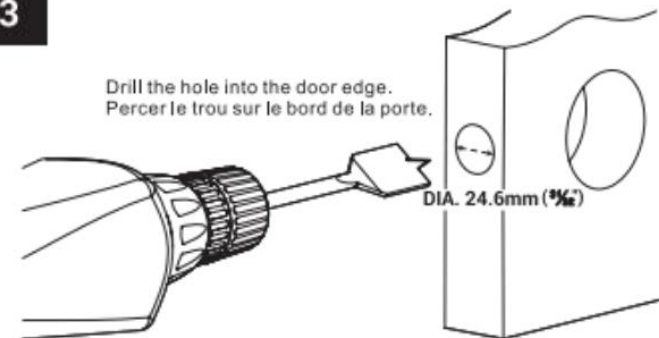
DIA. 54mm (2 1/8")



3

Drill the hole into the door edge.
Perçer le trou sur le bord de la porte.

DIA. 24.6mm (1 1/8")

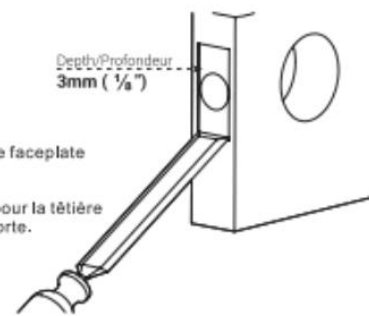


4

Cut the hole for the faceplate
on the door edge.

Découper le trou pour la tête
sur le bord de la porte.

Depth/Profondeur
3mm (1/8")



5

Trace the hole for strike plate on door
jamb.
Tracer le trou pour la gâche
sur le cadre de porte.

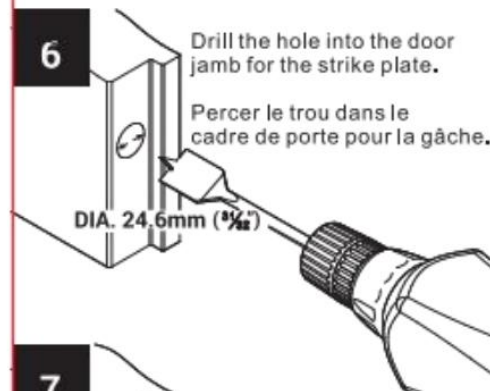


6

Drill the hole into the door
jamb for the strike plate.

Perçer le trou dans le
cadre de porte pour la gâche.

DIA. 24.6mm (1 1/8")

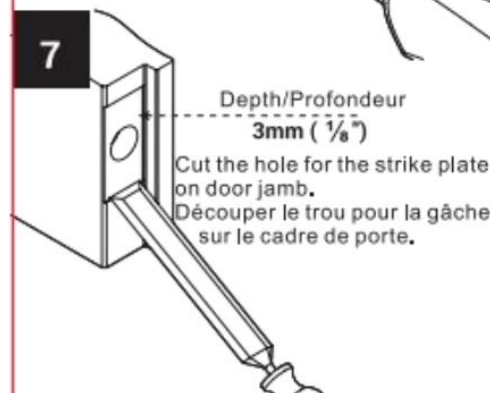


7

Cut the hole for the strike plate
on door jamb.

Découper le trou pour la gâche
sur le cadre de porte.

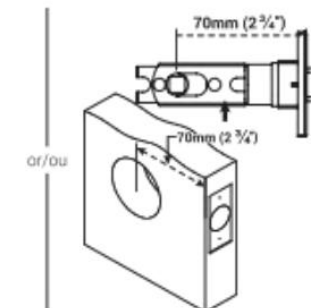
Depth/Profondeur
3mm (1/8")



1

Optional
Optionnel

Adjust latch length.
Ajuster la longueur du pêne.



2

Mit dem Riegelwinkel * nach vorne montieren
die Richtung, in die die Tür schließt.

Der Installateur muss den Winkel
an der Pforte festhalten.

* Schließrichtung
Schließssinn

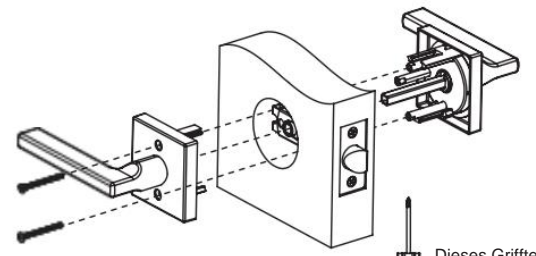


3

Reverse the levers if necessary.
Unscrew the set screw to take off the lever.

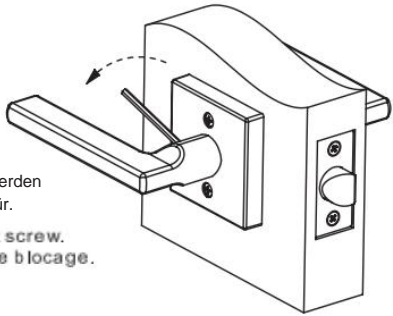
Inverser les leviers si nécessaire.
Dévisser la vis de pression pour enlever le levier.

4



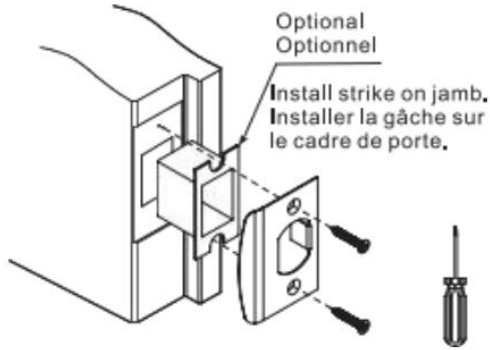
Install and screw the handles.
*For entry door, the screws must be indoor.
Installer et visser les poignées.
Dieses Griffteil sollte installiert werden vor der Tür.

5



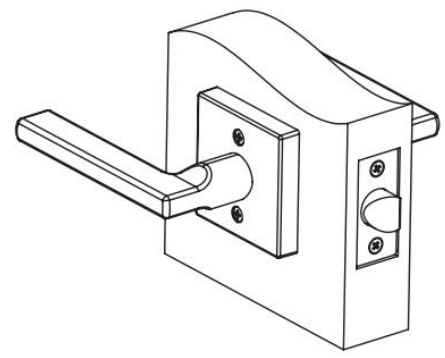
Dieses Griffteil sollte installiert werden Innenseite der Tür.
Tighten the set screw.
Serrer la vis de blocage.

6



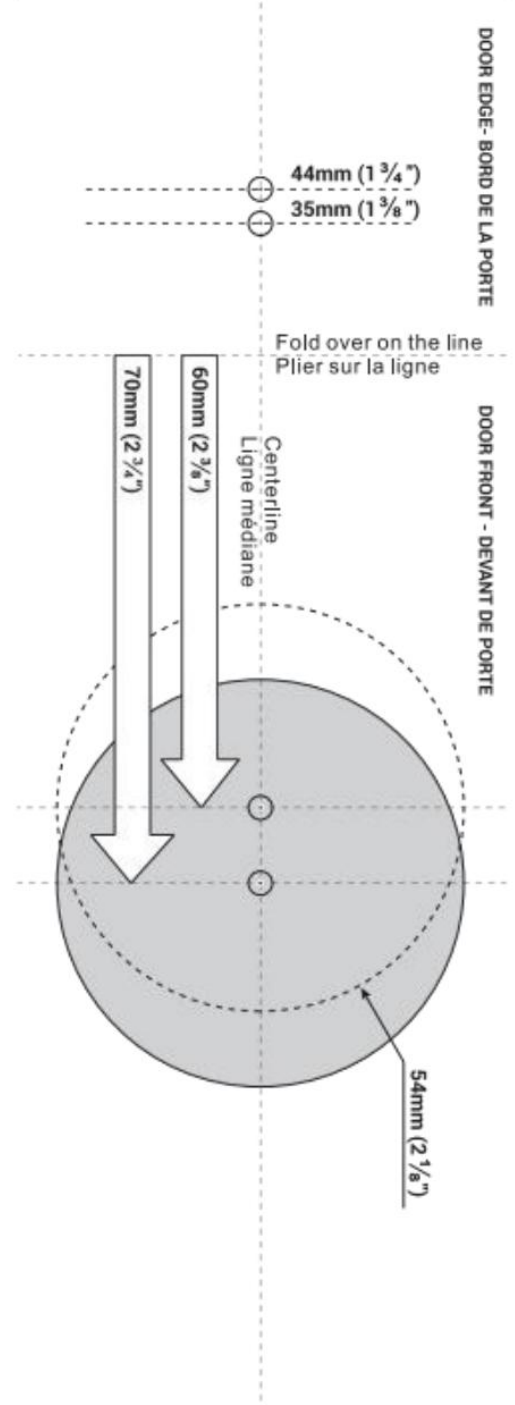
Optional
Optionnel
Install strike on jamb.
Installer la gâche sur le cadre de porte.

7



05

TEMPLATE - GABARIT



06

Manufacturer: Shanghai muxinmuyeyouxiangongsi
Address: Shuangchenglu 803nong11hao1602A-1609shi, baoshanqu, shanghai 200000 CN.
EC REP: E-CrossStu GmbH
Mainzer Landstr.69, 60329 Frankfurt am Main.
UK REP: YH CONSULTING LIMITED.
C/O YH Consulting Limited Office 147, Centurion House, London Road, Staines-upon-Thames, Surrey, TW18 4AX
Imported to AUS: SIHAO PTY LTD.
1 ROKEVA STREESTEASTWOOD NSW 2122 Australia
Imported to USA: Sanven Technology Ltd.
Suite 250, 9166 Anaheim Place, Rancho Cucamonga, CA 91730

VEVOR®

TOUGH TOOLS, HALF PRICE

Technical Support and E-Warranty Certificate
www.vevor.com/support

Door Handle lock

We continue to be committed to provide you tools with competitive price. "Save Half", "Half Price" or any other similar expressions used by us only represents an estimate of savings you might benefit from buying certain tools with us compared to the major top brands and does not necessarily mean to cover all categories of tools offered by us. You are kindly reminded to verify carefully when you are placing an order with us if you are actually saving half in comparison with the top major brands.

VEVOR®

TOUGH TOOLS, HALF PRICE

Technical Support and E-Warranty Certificate
www.vevor.com/support