

VEVOR[®]

TOUGH TOOLS, HALF PRICE

Technical Support and E-Warranty Certificate <https://www.vevor.com/support>

LITERATURE DISPLAY

USER MANUAL

MODEL NO.: TE-13Z

We continue to be committed to provide you tools with competitive price.

"Save Half", "Half Price" or any other similar expressions used by us only represents an estimate of savings you might benefit from buying certain tools with us compared to the major top brands and does not necessarily mean to cover all categories of tools offered by us. You are kindly reminded to verify carefully when you are placing an order with us if you are actually saving half in comparison with the top major brands.

VEVOR®

TOUGH TOOLS, HALF PRICE

Literature Display

MODEL NO.: TE-13Z



NEED HELP? CONTACT US!

Have product questions? Need technical support? Please feel free to contact us:

Technical Support and E-Warranty Certificate
www.vevor.com/support

This is the original instruction, please read all manual instructions carefully before operating. VEVOR reserves a clear interpretation of our user manual. The appearance of the product shall be subject to the product you received. Please forgive us that we won't inform you again if there are any technology or software updates on our product.

 **WARNING:**

Please read this manual carefully before using the product. Failure to do so may result in serious injury. SAVE THESE INSTRUCTION

ASSEMBLY PRECAUTIONS

1. Assemble only according to these instructions. Improper assembly can create hazards.
2. Wear ANSI-approved safety goggles and work gloves during assembly.
3. Keep the assembly area clean and well-lit.
4. Keep bystanders out of the area during assembly.
5. Do not assemble when tired or under the influence of alcohol, drugs or medication.
6. The product capabilities apply to properly and completely assembled products only.
7. Assemble on a flat, level, hard and smooth surface capable of safely supporting the Literature Display.
8. For additional information regarding the parts listed in the following pages, please refer to the Assembly Diagram of this manual. Unwrap and separate all parts in a clean work area.

USE PRECAUTIONS

TO PREVENT SERIOUS INJURY AND DEATH FROM TIPPING:

1. DO NOT SIT OR STAND ON THIS ITEM.

2. This product is not a toy. Do not allow children to play with or near this item.
3. Use only on a flat, level, hard and smooth surface capable of safely supporting a fully loaded Literature Display.
4. Use as intended only.
5. Inspect before every use. Do not use if parts are loose or damaged.

SAVE THESE INSTRUCTIONS

TECHNICAL SPECIFICATIONS

Model	TE-13Z
Product Dimensions (LxWxH)(mm)	270*370*1440
Packing Size (LxWxH)(mm)	490*330*160
Net Weight (kg)	About 4.5
Gross Weight (kg)	About 5.3

PACKAGE CONTENTS



Canvas Bag*1

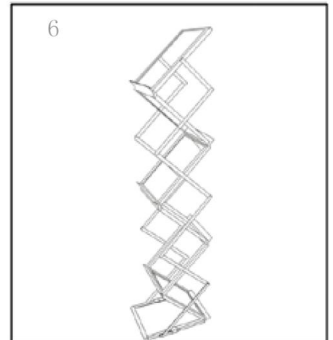
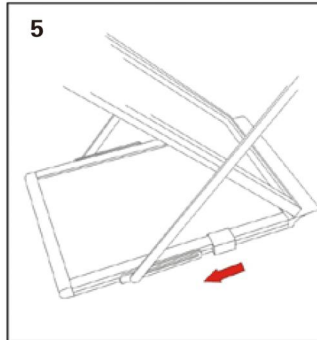
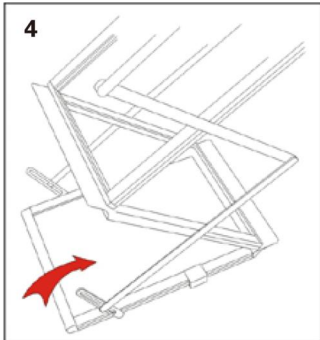
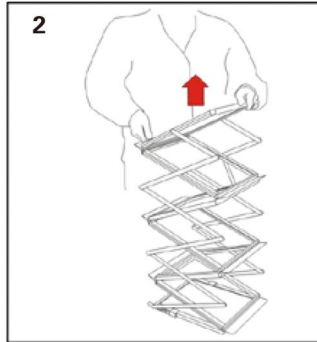


Aluminum Case*1



Literature Display*1

ASSEMBLY STEPS



COMPLETION



Address: Baoshanqu Shuangchenglu 803long 11hao 1602A-1609shi
Shanghai

Imported to AUS: SIHAO PTY LTD. 1 ROKEVA STREETEASTWOOD
NSW 2122 Australia

Imported to USA: Sanven Technology Ltd.Suite 250, 9166 Anaheim
Place, Rancho Cucamonga, CA 91730



SHUNSHUN GmbH
Römeräcker 9 Z2021,76351
Linkenheim-Hochstetten,Germany



Pooledas Group Ltd
Unit 5 Albert Edward House, The Pavilions
Preston, United Kingdom

Made In China

VEVOR[®]

TOUGH TOOLS, HALF PRICE

Support and E-Warranty Certificate

www.vevor.com/support

VEVOR[®]

TOUGH TOOLS, HALF PRICE

Techniczny Certyfikat wsparcia i e-gwarancji <https://www.vevor.com/support>

WYSTAWA LITERATURY

INSTRUKCJA OBSŁUGI _

NR MODELU: TE-13Z

We continue to be committed to provide you tools with competitive price.

"Save Half", "Half Price" or any other similar expressions used by us only represents an estimate of savings you might benefit from buying certain tools with us compared to the major top brands and does not necessarily mean to cover all categories of tools offered by us. You are kindly reminded to verify carefully when you are placing an order with us if you are actually saving half in comparison with the top major brands.

VEVOR®

TOUGH TOOLS, HALF PRICE

Literature Display

NR MODELU: TE-13Z



NEED HELP? CONTACT US!

Have product questions? Need technical support? Please feel free to contact us:

Technical Support and E-Warranty Certificate
www.vevor.com/support

This is the original instruction, please read all manual instructions carefully before operating. VEVOR reserves a clear interpretation of our user manual. The appearance of the product shall be subject to the product you received. Please forgive us that we won't inform you again if there are any technology or software updates on our product.

OSTRZEŻENIE:

Przed użyciem produktu prosimy o dokładne zapoznanie się z niniejszą instrukcją. Niezastosowanie się do tego może spowodować poważne obrażenia. **OCHROŃ SIE __ INSTRUKCJA**

ŚRODKI OSTROŻNOŚCI PRZY MONTAŻU

1. Montaż wyłącznie zgodnie z niniejszą instrukcją. Nieprawidłowy montaż może stworzyć zagrożenie.
2. Podczas montażu należy nosić okulary ochronne i rękawice robocze zatwierdzone przez ANSI.
3. Utrzymuj miejsce zbiórki w czystości i dobrze oświetlone.
4. Podczas montażu trzymaj osoby postronne z dala od obszaru.
5. Nie montuj, gdy jesteś zmęczony lub pod wpływem alkoholu, narkotyków lub leków.
6. Możliwości produktu dotyczą wyłącznie produktów prawidłowo i całkowicie zmontowanych.
7. Zmontuj na płaskiej, równej, twardej i gładkiej powierzchni, która może bezpiecznie utrzymać Wyświetlacz Literatury.
8. Dodatkowe informacje dotyczące części wymienionych na kolejnych stronach można znaleźć w schemacie montażu w niniejszej instrukcji. Rozpakuj i oddziel wszystkie części w czystym miejscu pracy.

STOSOWAĆ ŚRODKI OSTROŻNOŚCI

ABY ZAPOBIEC POWAŻNYM OBRAŻENIOM LUB ŚMIERCI W PRZYPADKU WYWROTU:

1. **NIE SIEDŹ ANI NIE STAJ NA TYM PRZEDMIOCIE.**
2. Ten produkt nie jest zabawką. Nie pozwalaj dzieciom bawić się tym przedmiotem lub w jego pobliżu.
3. Używaj wyłącznie na płaskiej, równej, twardej i gładkiej powierzchni, która może bezpiecznie utrzymać w pełni załadowany ekspozytor z literaturą.
4. Używaj wyłącznie zgodnie z przeznaczeniem.

5. Sprawdź przed każdym użyciem. Nie używać, jeśli części są luźne lub uszkodzone.

ZACHOWAJ TE INSTRUKCJE

SPECYFIKACJA TECHNICZNA

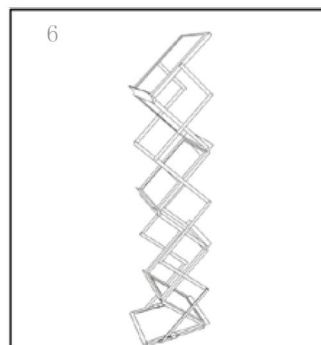
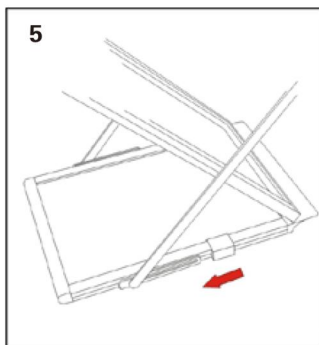
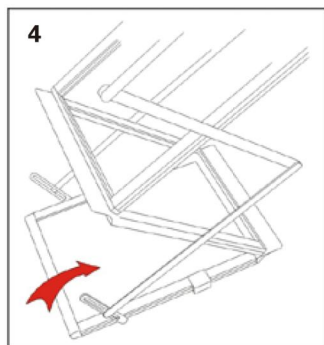
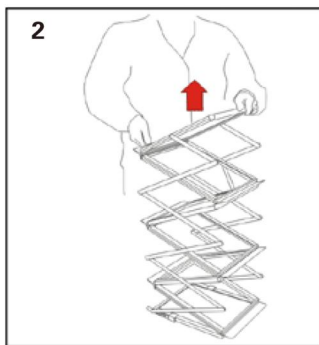
Model	TE-13Z
wymiary produktu (DxSxW) (mm)	270*370*1440
Wielkość opakowania (DxSxW) (mm)	490*330*160
Masa netto (kg)	Okolo 4,5
Masa brutto (kg)	O 5,3

ZAWARTOŚĆ PACZKI



Plótno Torba *1 Aluminiowa obudowa*1 Wyświetlacz literatury *1

ETAPY MONTAŻU



UKOŃCZENIE



Adres: Baoshanqu Shuangchenglu 803long 11hao 1602A-1609shi
Szanghaj

Import do AUS: SIHAO PTY LTD . 1 ROKEVA STREETEASTWOOD
NSW 2122 Australia

Import do USA: Sanven Technology Ltd.Suite 250, 9166 Anaheim Place,
Rancho Cucamonga, CA 91730



SHUNSHUN GmbH
Römeräcker 9 Z2021,76351
Linkenheim-Hochstetten,Germany



Pooledas Group Ltd
Unit 5 Albert Edward House, The Pavilions
Preston, United Kingdom

Wyprodukowano w Chinach

VEVOR[®]

TOUGH TOOLS, HALF PRICE

Certyfikat wsparcia i e-gwarancji

www.vevor.com/support

VEVOR®

TOUGH TOOLS, HALF PRICE

Technisch Support- und E-Garantie-Zertifikat <https://www.vevor.com/support>

LITERATURANZEIGE

BENUTZERHANDBUCH _ _

MODELL-NR.: TE-13Z

We continue to be committed to provide you tools with competitive price.

"Save Half", "Half Price" or any other similar expressions used by us only represents an estimate of savings you might benefit from buying certain tools with us compared to the major top brands and does not necessarily mean to cover all categories of tools offered by us. You are kindly reminded to verify carefully when you are placing an order with us if you are actually saving half in comparison with the top major brands.

VEVOR®

TOUGH TOOLS, HALF PRICE

Literature Display

MODELL-NR.: TE-13Z



NEED HELP? CONTACT US!

Have product questions? Need technical support? Please feel free to contact us:

Technical Support and E-Warranty Certificate
www.vevor.com/support

This is the original instruction, please read all manual instructions carefully before operating. VEVOR reserves a clear interpretation of our user manual. The appearance of the product shall be subject to the product you received. Please forgive us that we won't inform you again if there are any technology or software updates on our product.

 **WARNUNG:**

Bitte lesen Sie dieses Handbuch sorgfältig durch, bevor Sie das Produkt verwenden. Andernfalls kann es zu schweren Verletzungen kommen. SPEICHERN SIE DAS S E ANWEISUNG

VORSICHTSMASSNAHMEN BEI DER MONTAGE

1. Montieren Sie es nur gemäß dieser Anleitung. Durch unsachgemäße Montage können Gefahren entstehen.
2. Tragen Sie während der Montage eine ANSI-zugelassene Schutzbrille und Arbeitshandschuhe.
3. Halten Sie den Montagebereich sauber und gut beleuchtet.
4. Halten Sie Unbeteiligte während der Montage vom Bereich fern.
5. Nicht aufbauen, wenn Sie müde sind oder unter dem Einfluss von Alkohol, Drogen oder Medikamenten stehen.
6. Die Produkteigenschaften gelten nur für ordnungsgemäß und vollständig montierte Produkte.
7. Montieren Sie es auf einer flachen, ebenen, harten und glatten Oberfläche, die das Literaturdisplay sicher tragen kann.
8. Weitere Informationen zu den auf den folgenden Seiten aufgeführten Teilen finden Sie im Montagediagramm dieser Anleitung. Packen Sie alle Teile aus und trennen Sie sie an einem sauberen Arbeitsplatz.

VORSICHTSMASSNAHMEN VERWENDEN

UM SCHWERE VERLETZUNGEN UND TOD DURCH UMKIPPEN ZU VERMEIDEN:

1. **SITZEN ODER STEHEN SIE NICHT AUF DIESEM ARTIKEL.**
2. Dieses Produkt ist kein Spielzeug. Erlauben Sie Kindern nicht, mit oder in der Nähe dieses Artikels zu spielen.
3. Nur auf einer flachen, ebenen, harten und glatten Oberfläche verwenden, die einen voll beladenen Literaturständer sicher tragen

kann.

4. Nur bestimmungsgemäß verwenden.

5. Vor jedem Gebrauch prüfen. Nicht verwenden, wenn Teile locker oder beschädigt sind.

ANLEITUNG AUFBEWAHREN

TECHNISCHE SPEZIFIKATIONEN

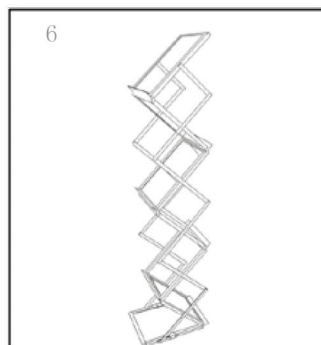
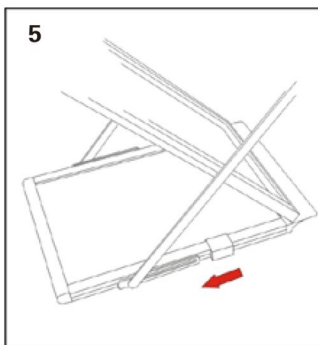
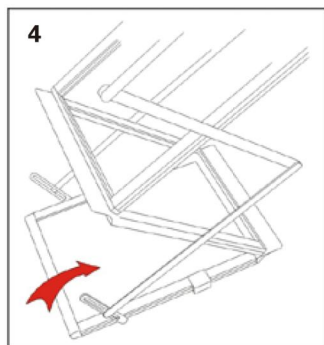
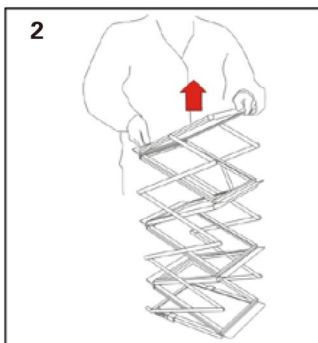
Modell	TE-13Z
Produktabmessungen (LxBxH)(mm)	270*370*1440
Packungsgröße (LxBxH)(mm)	490*330*160
Nettogewicht / kg)	Ungefähr 4,5
Bruttogewicht (kg)	Ungefähr 5.3

PACKUNGSIHALT



Leinwand Tasche *1 Aluminiumkoffer*1 Literaturdisplay *1

MONTAGESCHRITTE



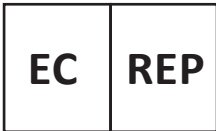
FERTIGSTELLUNG



Adresse: Baoshanqu Shuangchenglu 803long 11hao 1602A-1609shi
Shanghai

Importiert nach AUS: SIHAO PTY LTD . 1 ROKEVA
STREETEASTWOOD NSW 2122 Australien

In die USA importiert: Sanven Technology Ltd. Suite 250, 9166 Anaheim
Place, Rancho Cucamonga, CA 91730



SHUNSHUN GmbH
Römeräcker 9 Z2021,76351
Linkenheim-Hochstetten, Germany



Pooledas Group Ltd
Unit 5 Albert Edward House, The Pavilions
Preston, United Kingdom

In China hergestellt

VEVOR[®]

TOUGH TOOLS, HALF PRICE

Support- und E-Garantiezertifikat

www.vevor.com/support

VEVOR[®]

TOUGH TOOLS, HALF PRICE

Technique Assistance et certificat de garantie électronique

<https://www.vevor.com/support>

PRÉSENTATION DE LA LITTÉRATURE MANUEL DE L'UTILISATEUR

N° DE MODÈLE : TE-13Z

We continue to be committed to provide you tools with competitive price.

"Save Half", "Half Price" or any other similar expressions used by us only represents an estimate of savings you might benefit from buying certain tools with us compared to the major top brands and does not necessarily mean to cover all categories of tools offered by us. You are kindly reminded to verify carefully when you are placing an order with us if you are actually saving half in comparison with the top major brands.

VEVOR®

TOUGH TOOLS, HALF PRICE

Literature Display

N° DE MODÈLE : TE-13Z



NEED HELP? CONTACT US!

Have product questions? Need technical support? Please feel free to contact us:

Technical Support and E-Warranty Certificate
www.vevor.com/support

This is the original instruction, please read all manual instructions carefully before operating. VEVOR reserves a clear interpretation of our user manual. The appearance of the product shall be subject to the product you received. Please forgive us that we won't inform you again if there are any technology or software updates on our product.

AVERTISSEMENT:

Veillez lire attentivement ce manuel avant d'utiliser le produit. Ne pas le faire pourrait entraîner des blessures graves. SAUVEGARDEZ - LES _ INSTRUCTION

PRÉCAUTIONS DE MONTAGE

1. Assemblez uniquement selon ces instructions. Un assemblage incorrect peut créer des dangers.
2. Portez des lunettes de sécurité et des gants de travail approuvés par l'ANSI pendant l'assemblage.
3. Gardez la zone de rassemblement propre et bien éclairée.
4. Gardez les spectateurs hors de la zone pendant l' assemblage.
5. Ne vous rassemblez pas lorsque vous êtes fatigué ou sous l' influence de l' alcool, de drogues ou de médicaments.
6. Les capacités du produit s'appliquent uniquement aux produits correctement et complètement assemblés.
7. Assemblez-le sur une surface plane, de niveau, dure et lisse, capable de supporter en toute sécurité la présentation de la documentation.
8. Pour plus d'informations concernant les pièces répertoriées dans les pages suivantes, veuillez vous référer au schéma d'assemblage de ce manuel. Déballez et séparez toutes les pièces dans une zone de travail propre.

PRÉCAUTIONS D'UTILISATION

POUR ÉVITER DES BLESSURES GRAVES ET LA MORT PAR BASCULEMENT :

- 1. NE PAS ÊTRE ASSIS OU DEBOUT SUR CET ARTICLE.**
2. Ce produit n'est pas un jouet. Ne laissez pas les enfants jouer avec ou à proximité de cet article.

3. Utiliser uniquement sur une surface plane, de niveau, dure et lisse, capable de supporter en toute sécurité un présentoir de littérature entièrement chargé.
4. Utiliser uniquement comme prévu.
5. Inspectez avant chaque utilisation. Ne pas utiliser si les pièces sont desserrées ou endommagées.

CONSERVEZ CES INSTRUCTIONS

SPÉCIFICATIONS TECHNIQUES

Modèle	TE-13Z
dimensions du produit (LxlxH)(mm)	270*370*1440
Taille d'emballage (LxlxH)(mm)	490*330*160
Poids net / kg)	Environ 4,5
Poids brut (kg)	Environ 5.3

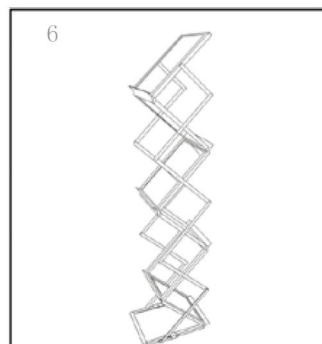
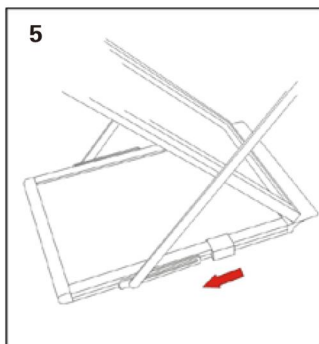
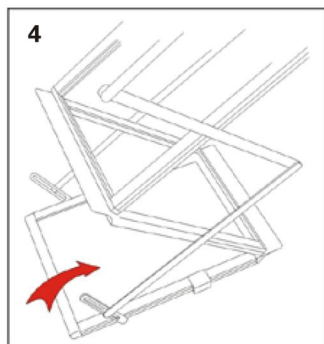
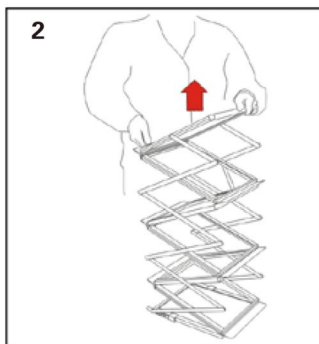
CONTENU DU COLIS



Toile Sac *1 Boîtier en aluminium*1 Présentoir de littérature

*1

ÉTAPES D'ASSEMBLAGE



ACHÈVEMENT



Adresse : Baoshanqu Shuangchenglu 803long 11hao 1602A-1609shi
Shanghai

Importé en Australie : SIHAO PTY LTD . 1 ROKEVA STREETASTWOOD
NSW 2122 Australie

Importé aux États-Unis : Sanven Technology Ltd.Suite 250, 9166
Anaheim Place, Rancho Cucamonga, CA 91730



SHUNSHUN GmbH
Römeräcker 9 Z2021,76351
Linkenheim-Hochstetten,Germany



Pooledas Group Ltd
Unit 5 Albert Edward House, The Pavilions
Preston, United Kingdom

Fabriqué en Chine

VEVOR[®]

TOUGH TOOLS, HALF PRICE

Assistance et certificat de garantie électronique

www.vevor.com/support

VEVOR[®]

TOUGH TOOLS, HALF PRICE

Technisch Ondersteuning en e-garantiecertificaat <https://www.vevor.com/support>

LITERATUURVERTONING

HANDLEIDING _ _

MODELNR.: TE-13Z

We continue to be committed to provide you tools with competitive price.

"Save Half", "Half Price" or any other similar expressions used by us only represents an estimate of savings you might benefit from buying certain tools with us compared to the major top brands and does not necessarily mean to cover all categories of tools offered by us. You are kindly reminded to verify carefully when you are placing an order with us if you are actually saving half in comparison with the top major brands.

VEVOR®

TOUGH TOOLS, HALF PRICE

Literature Display

MODELNR.: TE-13Z



NEED HELP? CONTACT US!

Have product questions? Need technical support? Please feel free to contact us:

Technical Support and E-Warranty Certificate
www.vevor.com/support

This is the original instruction, please read all manual instructions carefully before operating. VEVOR reserves a clear interpretation of our user manual. The appearance of the product shall be subject to the product you received. Please forgive us that we won't inform you again if there are any technology or software updates on our product.

WAARSCHUWING:

Lees deze handleiding zorgvuldig door voordat u het product gebruikt. Als u dit niet doet, kan dit leiden tot ernstig letsel. BEWAAR D E S E INSTRUCTIE

MONTAGEVOORZORGSMATREGELEN

1. Monteer uitsluitend volgens deze instructies. Onjuiste montage kan gevaren veroorzaken.
2. Draag tijdens de montage een ANSI-goedgekeurde veiligheidsbril en werkhandschoenen.
3. Houd de verzamelplaats schoon en goed verlicht.
4. Houd omstanders tijdens de montage uit de buurt.
5. Niet monteren als u moe bent of onder invloed bent van alcohol, drugs of medicijnen.
6. De productmogelijkheden zijn alleen van toepassing op correct en volledig gemonteerde producten.
7. Monteer op een vlakke, vlakke, harde en gladde ondergrond die de lectuurdisplay veilig kan ondersteunen.
8. Voor aanvullende informatie over de onderdelen die op de volgende pagina's worden vermeld, verwijzen wij u naar het montageschema van deze handleiding. Pak alle onderdelen uit en scheid ze van elkaar op een schone werkplek.

GEBRUIK VOORZORGSMATREGELEN

OM ERNSTIG LETSEL EN DE DOOD DOOR KANTELEN TE VOORKOMEN:

1. **ZIT OF STA NIET OP DIT ITEM.**
2. Dit product is geen speelgoed. Laat kinderen niet met of in de buurt van dit artikel spelen.
3. Alleen gebruiken op een vlakke, vlakke, harde en gladde ondergrond die een volledig geladen lectuurdisplay veilig kan ondersteunen.
4. Alleen gebruiken zoals bedoeld.

5. Inspecteer vóór elk gebruik. Niet gebruiken als onderdelen loszitten of beschadigd zijn.

BEWAAR DEZE INSTRUCTIES

TECHNISCHE SPECIFICATIES

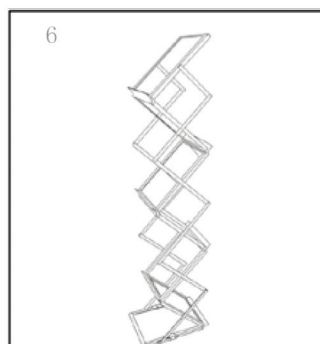
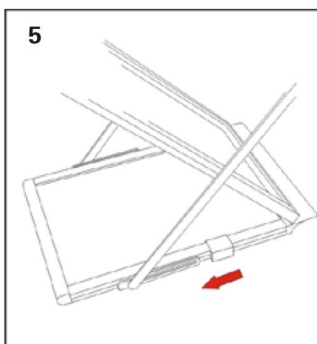
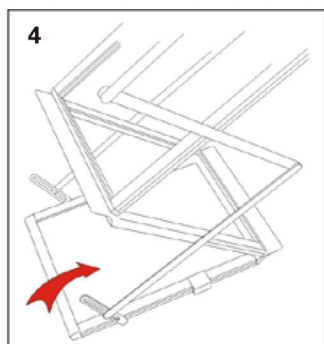
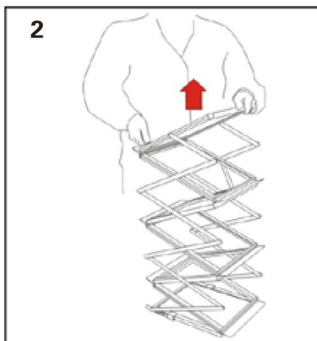
Model	TE-13Z
Productafmetingen (LxBxH)(mm)	270*370*1440
Verpakkingsgrootte (LxBxH)(mm)	490*330*160
Netto gewicht / kg	Ongeveer 4,5
Bruto gewicht (kg)	Ongeveer 5.3

VERPAKKINGSINHOUD



Canvas B ag*1 Aluminium behuizing*1 Literatuurdisplay *1

MONTAGESTAPPEN



VOLTOOIING



Adres: Baoshanqu Shuangchenglu 803long 11hao 1602A-1609shi
Shanghai

Geïmporteerd naar AUS: SIHAO PTY LTD . 1 ROKEVA
STREETEASTWOOD NSW 2122 Australië

Geïmporteerd naar de VS: Sanven Technology Ltd.Suite 250, 9166
Anaheim Place, Rancho Cucamonga, CA 91730



SHUNSHUN GmbH
Römeräcker 9 Z2021,76351
Linkenheim-Hochstetten,Germany



Pooledas Group Ltd
Unit 5 Albert Edward House, The Pavilions
Preston, United Kingdom

Gemaakt in China

VEVOR[®]

TOUGH TOOLS, HALF PRICE

Ondersteuning en e-garantiecertificaat

www.vevor.com/support

VEVOR[®]

TOUGH TOOLS, HALF PRICE

Técnico Soporte y certificado de garantía electrónica

<https://www.vevor.com/support>

EXHIBICIÓN DE LITERATURA

MANUAL DE USUARIO

NÚMERO DE MODELO: TE-13Z

We continue to be committed to provide you tools with competitive price.

"Save Half", "Half Price" or any other similar expressions used by us only represents an estimate of savings you might benefit from buying certain tools with us compared to the major top brands and does not necessarily mean to cover all categories of tools offered by us. You are kindly reminded to verify carefully when you are placing an order with us if you are actually saving half in comparison with the top major brands.

VEVOR®

TOUGH TOOLS, HALF PRICE

Literature Display

NÚMERO DE MODELO: TE-13Z



NEED HELP? CONTACT US!

Have product questions? Need technical support? Please feel free to contact us:

Technical Support and E-Warranty Certificate
www.vevor.com/support

This is the original instruction, please read all manual instructions carefully before operating. VEVOR reserves a clear interpretation of our user manual. The appearance of the product shall be subject to the product you received. Please forgive us that we won't inform you again if there are any technology or software updates on our product.

ADVERTENCIA:

Lea atentamente este manual antes de utilizar el producto. De lo contrario, podrían producirse lesiones graves. GUARDAR ESTOS __ INSTRUCCIÓN

PRECAUCIONES DE MONTAJE

1. Ensamble únicamente de acuerdo con estas instrucciones. Un montaje inadecuado puede crear peligros.
2. Use gafas de seguridad y guantes de trabajo aprobados por ANSI durante el montaje.
3. Mantenga el área de reunión limpia y bien iluminada.
4. Mantenga a los transeúntes fuera del área durante el montaje.
5. No se reúna cuando esté cansado o bajo la influencia de alcohol, drogas o medicamentos.
6. Las capacidades del producto se aplican únicamente a productos ensamblados de manera adecuada y completa.
7. Ensamble sobre una superficie plana, nivelada, dura y lisa capaz de soportar de manera segura la exhibición de literatura.
8. Para obtener información adicional sobre las piezas enumeradas en las siguientes páginas, consulte el diagrama de montaje de este manual. Desenvuelva y separe todas las piezas en un área de trabajo limpia.

PRECAUCIONES DE USO

PARA EVITAR LESIONES GRAVES Y LA MUERTE POR VUELCO:

- 1. NO SE SIENTE NI SE PARE SOBRE ESTE ARTÍCULO.**
2. Este producto no es un juguete. No permita que los niños jueguen con este artículo o cerca de él.
3. Úselo únicamente sobre una superficie plana, nivelada, dura y lisa capaz de soportar de manera segura una exhibición de literatura completamente cargada.
4. Úselo únicamente según lo previsto.
5. Inspeccione antes de cada uso. No lo utilice si las piezas están sueltas

o dañadas.
GUARDA ESTAS INSTRUCCIONES

ESPECIFICACIONES TÉCNICAS

Modelo	TE-13Z
Dimensiones del producto (LxAnxAl)(mm)	270*370*1440
Tamaño de embalaje (LxAnxAl)(mm)	490*330*160
Peso neto / kg)	Alrededor de 4,5
Peso bruto (kg)	Acerca de 5.3

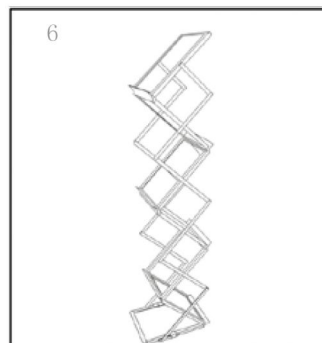
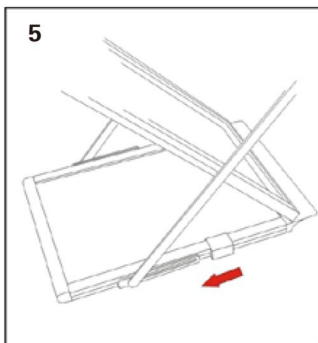
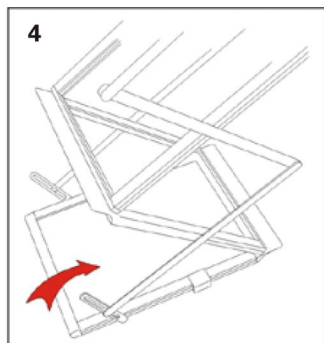
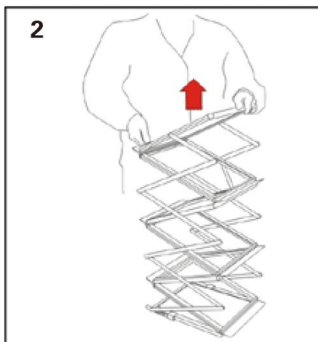
CONTENIDOS DEL PAQUETE



Lienzo Bolsa *1 Caja de aluminio*1 Expositor de literatura

*1

PASOS DE MONTAJE



TERMINACIÓN



Dirección: Baoshanqu Shuangchenglu 803long 11hao 1602A-1609shi
Shanghai

Importado a AUS: SIHAO PTY LTD . 1 ROKEVA STREET ASTWOOD
NSW 2122 Australia

Importado a EE. UU.: Sanven Technology Ltd.Suite 250, 9166 Anaheim
Place, Rancho Cucamonga, CA 91730



SHUNSHUN GmbH
Römeräcker 9 Z2021,76351
Linkenheim-Hochstetten,Germany



Pooledas Group Ltd
Unit 5 Albert Edward House, The Pavilions
Preston, United Kingdom

Hecho en china

VEVOR[®]

TOUGH TOOLS, HALF PRICE

Certificado de soporte y garantía electrónica

www.vevor.com/support

VEVOR[®]

TOUGH TOOLS, HALF PRICE

Tecnico Supporto e certificato di garanzia elettronica

<https://www.vevor.com/support>

VISUALIZZAZIONE DELLA LETTERATURA MANUALE D' USO

MODELLO N.: TE-13Z

We continue to be committed to provide you tools with competitive price.

"Save Half", "Half Price" or any other similar expressions used by us only represents an estimate of savings you might benefit from buying certain tools with us compared to the major top brands and does not necessarily mean to cover all categories of tools offered by us. You are kindly reminded to verify carefully when you are placing an order with us if you are actually saving half in comparison with the top major brands.

VEVOR®

TOUGH TOOLS, HALF PRICE

Literature Display

MODELLO N.: TE-13Z



NEED HELP? CONTACT US!

Have product questions? Need technical support? Please feel free to contact us:

Technical Support and E-Warranty Certificate
www.vevor.com/support

This is the original instruction, please read all manual instructions carefully before operating. VEVOR reserves a clear interpretation of our user manual. The appearance of the product shall be subject to the product you received. Please forgive us that we won't inform you again if there are any technology or software updates on our product.



AVVERTIMENTO:

Si prega di leggere attentamente questo manuale prima di utilizzare il prodotto. In caso contrario, si potrebbero causare lesioni gravi. SALVATECI _ _ _ ISTRUZIONI

PRECAUZIONI DI MONTAGGIO

1. Assemblare solo secondo queste istruzioni. Un montaggio improprio può creare pericoli.
2. Indossare occhiali di sicurezza e guanti da lavoro approvati ANSI durante il montaggio.
3. Mantenere l'area di assemblaggio pulita e ben illuminata.
4. Tenere gli astanti lontani dall'area durante il montaggio.
5. Non montare in caso di stanchezza o sotto l'effetto di alcol, droghe o farmaci.
6. Le funzionalità del prodotto si applicano solo ai prodotti correttamente e completamente assemblati.
7. Montare su una superficie piana, livellata, dura e liscia in grado di sostenere in modo sicuro il display della documentazione.
8. Per ulteriori informazioni riguardanti le parti elencate nelle pagine seguenti, fare riferimento allo Schema di Montaggio di questo manuale. Scartare e separare tutte le parti in un'area di lavoro pulita.

USARE LE PRECAUZIONI

PER PREVENIRE LESIONI GRAVI E MORTE DOVUTE AL RIBALTAMENTO:

1. **NON SEDERSI O STARE IN PIEDI SU QUESTO ARTICOLO.**
2. Questo prodotto non è un giocattolo. Non permettere ai bambini di giocare con o vicino a questo oggetto.
3. Utilizzare solo su una superficie piana, livellata, dura e liscia in grado di supportare in modo sicuro un display per letteratura completamente carico.
4. Utilizzare solo come previsto.

5. Ispezionare prima di ogni utilizzo. Non utilizzare se le parti sono allentate o danneggiate.
CONSERVA QUESTE ISTRUZIONI

SPECIFICHE TECNICHE

Modello	TE-13Z
Dimensioni del prodotto (LxLxA)(mm)	270*370*1440
Dimensioni dell'imballaggio (LxLxA)(mm)	490*330*160
Peso netto (kg)	Circa 4,5
Peso lordo (kg)	Circa 5.3

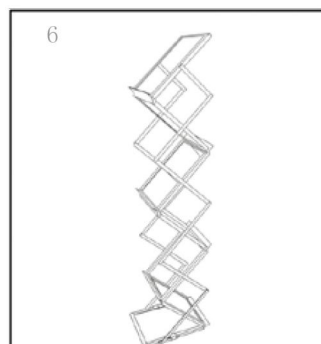
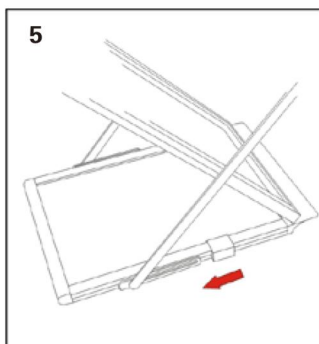
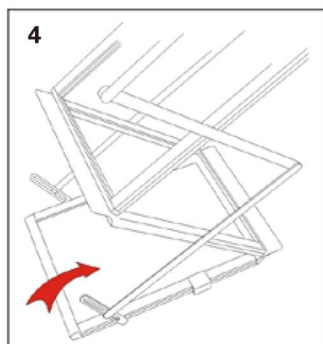
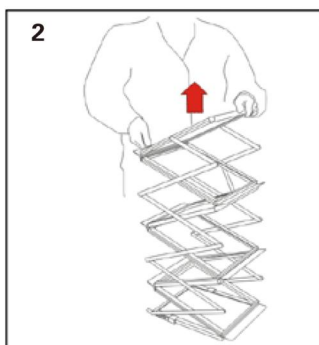
CONTENUTO DEL PACCO



Tela B ag*1 Custodia in alluminio*1 Display della letteratura

*1

FASI DI MONTAGGIO



COMPLETAMENTO



Indirizzo: Baoshanqu Shuangchenglu 803long 11hao 1602A-1609shi
Shanghai

Importato in AUS: SIHAO PTY LTD . 1 ROKEVA STREETEASTWOOD
NSW 2122 Australia

Importato negli Stati Uniti: Sanven Technology Ltd.Suite 250, 9166
Anaheim Place, Rancho Cucamonga, CA 91730



SHUNSHUN GmbH
Römeräcker 9 Z2021,76351
Linkenheim-Hochstetten,Germany



Pooledas Group Ltd
Unit 5 Albert Edward House, The Pavilions
Preston, United Kingdom

Made in China

VEVOR®

TOUGH TOOLS, HALF PRICE

Supporto e certificato di garanzia elettronica

www.vevor.com/support