

# **VEVOR<sup>®</sup>**

**TOUGH TOOLS, HALF PRICE**

Technical Support and E-Warranty Certificate [www.vevor.com/support](http://www.vevor.com/support)

## **LEVELER PLOW LEG USER MANUAL**

We continue to be committed to provide you tools with competitive price.

"Save Half", "Half Price" or any other similar expressions used by us only represents an estimate of savings you might benefit from buying certain tools with us compared to the major top brands and does not necessarily mean to cover all categories of tools offered by us. You are kindly reminded to verify carefully when you are placing an order with us if you are actually saving half in comparison with the top major brands.

# VEVOR<sup>®</sup>

TOUGH TOOLS, HALF PRICE

## LEVELER PLOW LEG

MODEL: WBS-028 WBS-029



### NEED HELP? CONTACT US!

Have product questions? Need technical support? Please feel free to contact us:

**Technical Support and E-Warranty Certificate**  
[www.vevor.com/support](http://www.vevor.com/support)

This is the original instruction, please read all manual instructions carefully before operating. VEVOR reserves a clear interpretation of our user manual. The appearance of the product shall be subject to the product you received. Please forgive us that we won't inform you again if there are any technology or software updates on our product.



Warning-To reduce the risk of injury, user must read instructions manual carefully.

## INSTRUCTIONS

Thank you very much for choosing this product. Please read all of the instructions before using it. The information will help you achieve the best possible results.

PLEASE NOTE! Drawings in this manual are for illustration purposes only and in some details may differ from the actual product.

### 1. USAGE SAFETY

ATTENTION! Read all safety warnings and all instructions. Failure to follow the warnings and instructions may result in serious injury or even death. The device or product are used in the warning instructions to refer to Lawn leveler rake.

If you are unsure about whether the product is operating correctly or if you find damage, please contact the manufacturer's service centre. Only the manufacturer's service center may make repairs to the product. Do not attempt to make repairs yourself! Keep the device away from sources of fire and heat.

### 2. USE GUIDELINES

This product is not a toy nor a toy chest. Do not allow children to play with this item. Use as intended only and Need to supervise the children to understand step & open rules of feeder finally.

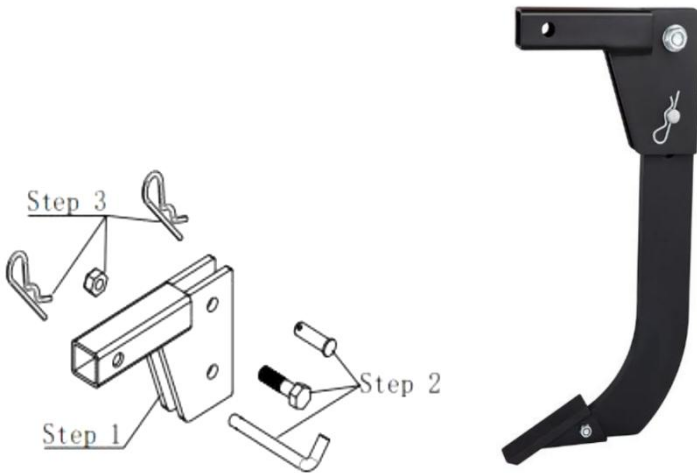
The product is intended for flattening of large areas and used for flattening only, do not use for dinging, chiseling, shoveling, clapping or other type of labor. Do not use it Violently.

## SAVE THESE INSTRUCTIONS

## TECHNICAL PARAMETERS

Modle	<b>WBS-028</b>	<b>WBS-029</b>
Type	Straight shank type	
Size	16"	18"
Holes number	3	
Color	Black	
Material	Q235	

## PARTS LIST AND ASSEMBLING



As shown in the figure: use the pin to assemble the plow leg with your tractor.

**Application:**



**Manufacturer:**Shanghaimuxinmuyeyouxiangongsi

**Address:** Shuangchenglu 803nong11hao1602A-1609shi, baoshanqu, shanghai 200000 CN.

**Imported to AUS:** SIHAO PTY LTD. 1 ROKEVA STREETEASTWOOD NSW 2122 Australia

**Imported to USA:** Sanven Technology Ltd. Suite 250, 9166 Anaheim Place, Rancho Cucamonga, CA 91730

<b>EC</b>	<b>REP</b>
-----------	------------

E-CrossStu GmbH  
Mainzer Landstr.69, 60329 Frankfurt am Main.

<b>UK</b>	<b>REP</b>
-----------	------------

YH CONSULTING LIMITED.  
C/O YH Consulting Limited Office 147, Centurion House,  
London Road, Staines-upon-Thames, Surrey, TW18 4AX



**VEVOR**<sup>®</sup>  
TOUGH TOOLS, HALF PRICE

Technical Support and E-Warranty Certificate  
[www.vevor.com/support](http://www.vevor.com/support)



# **VEVOR<sup>®</sup>**

**TOUGH TOOLS, HALF PRICE**

Wsparcie techniczne i certyfikat gwarancji elektronicznej [www.vevor.com/support](http://www.vevor.com/support)

## **NIWELATOR NOGA PŁUGA**

### **INSTRUKCJA OBSŁUGI**

We continue to be committed to provide you tools with competitive price.

"Save Half", "Half Price" or any other similar expressions used by us only represents an estimate of savings you might benefit from buying certain tools with us compared to the major top brands and does not necessarily mean to cover all categories of tools offered by us. You are kindly reminded to verify carefully when you are placing an order with us if you are actually saving half in comparison with the top major brands.

# VEVOR<sup>®</sup>

TOUGH TOOLS, HALF PRICE

## LEVELER PLOW LEG

MODEL: WBS-028 WBS-029



### NEED HELP? CONTACT US!

Have product questions? Need technical support? Please feel free to contact us:

**Technical Support and E-Warranty Certificate**  
[www.vevor.com/support](http://www.vevor.com/support)

This is the original instruction, please read all manual instructions carefully before operating. VEVOR reserves a clear interpretation of our user manual. The appearance of the product shall be subject to the product you received. Please forgive us that we won't inform you again if there are any technology or software updates on our product.



Ostrzeżenie: Aby zminimalizować ryzyko obrażeń, użytkownik powinien uważnie przeczytać instrukcję obsługi.

## INSTRUCTIONS

Dziękujemy bardzo za wybranie tego produktu . Przed użyciem przeczytaj wszystkie instrukcje. Informacje te pomogą Ci osiągnąć najlepsze możliwe rezultaty.

**UWAGA!** Rysunki w tym podręczniku są przeznaczone do wyłącznie w celach ilustracyjnych, w niektórych szczegółach może różnić się od rzeczywistego produktu.

### 1. BEZPIECZEŃSTWO UŻYTKOWANIA

**UWAGA!** Przeczytaj wszystkie ostrzeżenia dotyczące bezpieczeństwa i wszystkie instrukcje. Nieprzestrzeganie ostrzeżeń i instrukcje mogą spowodować poważne obrażenia lub nawet śmierć. urządzenie lub produkt są używane w ostrzeżeniu instrukcje dotyczące grabi wyrównujących trawnik .

Jeśli nie masz pewności, czy produkt jest działa prawidłowo lub jeśli znajdziesz uszkodzenie, prosimy skontaktuj się z serwisem producenta . Tylko serwis producenta może dokonać naprawy . naprawy produktu. Nie próbuj dokonywać napraw samodzielnie! Trzymaj urządzenie z dala od źródeł ognia i ciepła.

### 2. WYTYCZNE UŻYTKOWANIA

Ten produkt nie jest zabawką ani skrzynią na zabawki. Nie pozwalaj dzieciom bawić się tym przedmiotem. Używaj go wyłącznie zgodnie z przeznaczeniem i nadzoruj dzieci, aby zrozumiały zasady otwierania i zamykania podajnika.

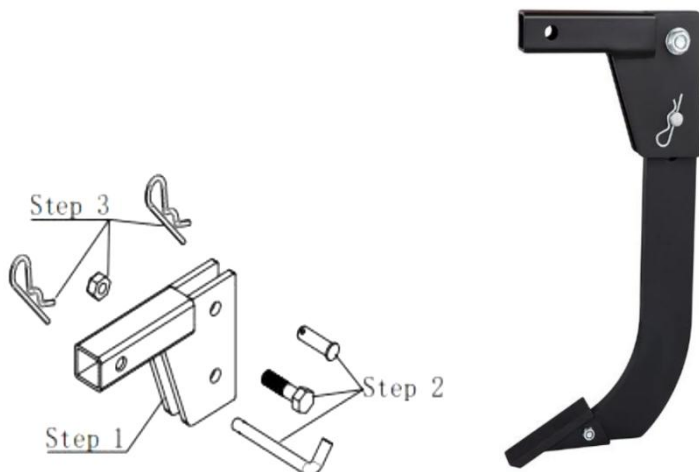
Produkt przeznaczony do wyrównywania dużych powierzchni i służy wyłącznie do spłaszczania, nie używać do dzwonienia, dłutowanie, łopata, klaskanie lub inny rodzaj pracy. Nie używaj go gwałtownie.

## ZAPISZ TE INSTRUKCJE

## TECHNICAL PARAMETERS

Model	<b>WBS-02 8</b>	<b>WBS-02 9</b>
Typ	Typ trzonka prostego	
Rozmiar	16 cali	18 "
Liczba otworów	3	
Kolor	Czarny	
Tworzywo	Pytanie 235	

## PARTS LIST AND ASSEMBLING



Jak pokazano na rysunku: za pomocą sworznia zamontuj nogę pługa z twoim ciągnikiem.

**Aplikacja:**



**Producent** : Shanghaimuxinmuyeyouxiangongsi

**Adres**: Shuangchenglu 803nong11hao1602A-1609shi, baoshanqu, szanghaj 200000 CN.

**Importowane do AUS**: SIHAO PTY LTD. 1 ROKEVA  
STREETEASTWOOD NSW 2122 Australia

**Importowane do USA**: Sanven Technology Ltd. Suite 250, 9166 Anaheim  
Miejsce, Rancho Cucamonga, CA 91730

<b>EC</b>	<b>REP</b>
-----------	------------

E-CrossStu GmbH  
Mainzer Landstr.69, 60329 Frankfurt am Main.

<b>UK</b>	<b>REP</b>
-----------	------------

YH CONSULTING LIMITED.  
C/O YH Consulting Limited Office 147, Centurion House,  
London Road, Staines-upon-Thames, Surrey, TW18 4AX



**VEVOR<sup>®</sup>**

**TOUGH TOOLS, HALF PRICE**

**Wsparcie techniczne i certyfikat e-gwarancji**

**[www.vevor.com/support](http://www.vevor.com/support)**



# **VEVOR<sup>®</sup>**

**TOUGH TOOLS, HALF PRICE**

Technischer Support und E-Garantie-Zertifikat [www.vevor.com/support](http://www.vevor.com/support)

## **RICHTMASCHINE PFLUGBEIN BEDIENUNGSANLEITUNG**

We continue to be committed to provide you tools with competitive price.

"Save Half", "Half Price" or any other similar expressions used by us only represents an estimate of savings you might benefit from buying certain tools with us compared to the major top brands and does not necessarily mean to cover all categories of tools offered by us. You are kindly reminded to verify carefully when you are placing an order with us if you are actually saving half in comparison with the top major brands.

# VEVOR®

TOUGH TOOLS, HALF PRICE

## LEVELER PLOW LEG

MODELL: WBS-028 WBS-029



### NEED HELP? CONTACT US!

Have product questions? Need technical support? Please feel free to contact us:

**Technical Support and E-Warranty Certificate**  
[www.vevor.com/support](http://www.vevor.com/support)

This is the original instruction, please read all manual instructions carefully before operating. VEVOR reserves a clear interpretation of our user manual. The appearance of the product shall be subject to the product you received. Please forgive us that we won't inform you again if there are any technology or software updates on our product.



Warnung: Um das Verletzungsrisiko zu verringern, muss der Benutzer die Bedienungsanleitung sorgfältig lesen.

## INSTRUCTIONS

Vielen Dank, dass Sie sich für dieses Produkt entschieden haben . Bitte lesen Sie vor der Anwendung alle Hinweise sorgfältig durch. Die Informationen helfen Ihnen, optimale Ergebnisse zu erzielen.

**BITTE BEACHTEN!** Die Zeichnungen in diesem Handbuch dienen dienen lediglich Illustrationszwecken und können in einigen vom tatsächlichen Produkt abweichen.

### 1. SICHERHEIT BEI DER VERWENDUNG

**ACHTUNG!** Lesen Sie alle Sicherheitshinweise und alle Die Nichtbeachtung der Warnhinweise und Anweisungen können schwere Verletzungen oder sogar den Tod zur Folge haben. Tod. Der Gerät oder Produkt werden in der Warnung verwendet Anweisungen finden Sie unter Rasennivellierrechen .

Wenn Sie sich nicht sicher sind, ob das Produkt Sollten Sie Schäden feststellen, wenden Sie sich bitte an wenden Sie sich bitte an den Kundendienst des Herstellers . Nur der Kundendienst des Herstellers Reparaturen am Produkt. Versuchen Sie nicht, Reparaturen selbst durchführen! Halten Sie das Gerät von Feuer- und Hitzequellen fern.

### 2. NUTZUNGSRICHTLINIEN

Dieses Produkt ist weder ein Spielzeug noch eine Spielzeugtruhe. Erlauben Sie Kindern nicht, mit diesem Artikel zu spielen. Verwenden Sie es nur bestimmungsgemäß und beaufsichtigen Sie die Kinder, damit sie die Schritte und Öffnungsregeln des Futterautomaten verstehen.

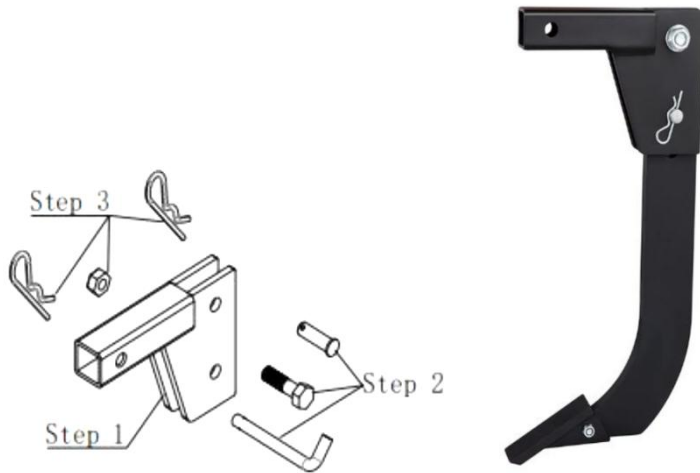
Das Produkt ist zum Glätten großer Flächen bestimmt und nur zum Abflachen verwendet, nicht verwenden für dinging, Meißeln, Schaufeln, Klatschen oder andere Arten von Arbeit. Wenden Sie es nicht gewaltsam an.

## BEWAHREN SIE DIESE ANWEISUNGEN AUF

### TECHNICAL PARAMETERS

Modell	WBS-02 8	WBS-02 9
Typ	Zylinderschaftausführung	
Größe	16 "	18 "
Anzahl der Löcher	3	
Farbe	Schwarz	
Material	Q235	

### PARTS LIST AND ASSEMBLING



Wie in der Abbildung gezeigt: Verwenden Sie den Stift, um das Pflugbein zusammenzubauen mit Ihrem Traktor.

**Anwendung:**



**Hersteller :** Shanghaimuxinmuyeyouxiangongsi

**Adresse:** Shuangchenglu 803nong11hao1602A-1609shi, baoshanqu, Shanghai 200000 CN.

**Nach AUS importiert:** SIHAO PTY LTD. 1 ROKEVA  
STREETEASTWOOD NSW 2122 Australien

**Importiert in die USA:** Sanven Technology Ltd. Suite 250, 9166 Anaheim  
Ort, Rancho Cucamonga, CA 91730

<b>EC</b>	<b>REP</b>
-----------	------------

E-CrossStu GmbH  
Mainzer Landstr.69, 60329 Frankfurt am Main.

<b>UK</b>	<b>REP</b>
-----------	------------

YH CONSULTING LIMITED.  
C/O YH Consulting Limited Office 147, Centurion House,  
London Road, Staines-upon-Thames, Surrey, TW18 4AX







**VEVOR<sup>®</sup>**

**TOUGH TOOLS, HALF PRICE**

**Technischer Support und E-Garantie-Zertifikat**

**[www.vevor.com/support](http://www.vevor.com/support)**

# **VEVOR<sup>®</sup>**

**TOUGH TOOLS, HALF PRICE**

Assistance technique et certificat de garantie électronique [www.vevor.com/support](http://www.vevor.com/support)

## **NIVELEUR JAMBE DE CHARRUE MANUEL D'UTILISATION**

We continue to be committed to provide you tools with competitive price.

"Save Half", "Half Price" or any other similar expressions used by us only represents an estimate of savings you might benefit from buying certain tools with us compared to the major top brands and does not necessarily mean to cover all categories of tools offered by us. You are kindly reminded to verify carefully when you are placing an order with us if you are actually saving half in comparison with the top major brands.

# VEVOR<sup>®</sup>

TOUGH TOOLS, HALF PRICE

## LEVELER PLOW LEG

MODÈLE: WBS-028 WBS-029



### NEED HELP? CONTACT US!

Have product questions? Need technical support? Please feel free to contact us:

**Technical Support and E-Warranty Certificate**  
[www.vevor.com/support](http://www.vevor.com/support)

This is the original instruction, please read all manual instructions carefully before operating. VEVOR reserves a clear interpretation of our user manual. The appearance of the product shall be subject to the product you received. Please forgive us that we won't inform you again if there are any technology or software updates on our product.



Avertissement - Pour réduire le risque de blessure, l'utilisateur doit lire attentivement le manuel d'instructions.

## INSTRUCTIONS

Merci beaucoup d'avoir choisi ce produit . Veuillez lire toutes les instructions avant de l'utiliser. Ces informations vous aideront à obtenir les meilleurs résultats possibles.

**ATTENTION !** Les dessins de ce manuel sont fournis à titre indicatif. à des fins d'illustration uniquement et certains détails peuvent différer du produit réel.

### 1. SÉCURITÉ D'UTILISATION

**ATTENTION !** Lisez tous les avertissements de sécurité et toutes les instructions. Le non-respect des avertissements et instructions peuvent entraîner des blessures graves, voire la mort. Le appareil ou produit sont utilisés dans l'avertissement instructions à suivre pour se référer au râteau niveleur de pelouse . Si vous n'êtes pas sûr que le produit soit fonctionne correctement ou si vous constatez des dommages, veuillez contactez le centre de service du fabricant . Seul le centre de service du fabricant peut effectuer réparations du produit. N'essayez pas de faire Réparez vous-même ! Gardez l'appareil à l'écart des sources de chaleur et de feu.

### 2. DIRECTIVES D'UTILISATION

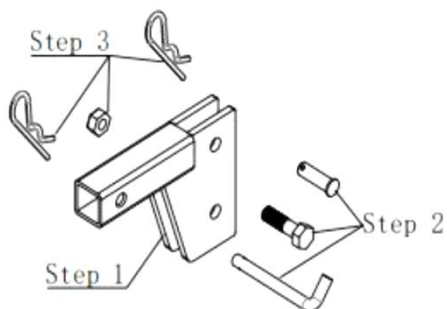
Ce produit n'est ni un jouet ni un coffre à jouets. Ne laissez pas les enfants jouer avec cet article. Utilisez-le uniquement comme prévu et surveillez les enfants pour qu'ils comprennent les étapes et les règles d'ouverture du distributeur. Le produit est destiné à l'aplanissement de grandes surfaces et utilisé uniquement pour l'aplatissement, ne pas utiliser pour faire des sonneries, ciselage, pelleter, applaudissements ou autre type de travail. Ne l'utilisez pas de manière violente.

# CONSERVEZ CES INSTRUCTIONS

## TECHNICAL PARAMETERS

Modèle	<b>WBS-02 8</b>	<b>WBS-02 9</b>
Taper	Type à tige droite	
Taille	16 "	18 "
Nombre de trous	3	
Couleur	Noir	
Matériel	Q235	

## PARTS LIST AND ASSEMBLING



Comme indiqué sur la figure : utilisez la goupille pour assembler le pied de la charrue avec votre tracteur.

**Application:**



**Fabricant** : Shanghaimuxinmuyeyouxiangongsi

**Adresse** : Shuangchenglu 803nong11hao1602A-1609shi, baoshanqu, Shanghai 200000 CN.

**Importé en Australie** : SIHAO PTY LTD. 1 ROKEVA  
STREETEASTWOOD NSW 2122 Australie

**Importé aux États-Unis** : Sanven Technology Ltd. Suite 250, 9166  
Anaheim

Lieu, Rancho Cucamonga, CA 91730



E-CrossStu GmbH  
Mainzer Landstr.69, 60329 Frankfurt am Main.



YH CONSULTING LIMITED.  
C/O YH Consulting Limited Office 147, Centurion House,  
London Road, Staines-upon-Thames, Surrey, TW18 4AX





**VEVOR<sup>®</sup>**

**TOUGH TOOLS, HALF PRICE**

**Assistance technique et certificat de garantie électronique**

**[www.vevor.com/support](http://www.vevor.com/support)**

# **VEVOR<sup>®</sup>**

**TOUGH TOOLS, HALF PRICE**

Technische ondersteuning en e-garantiecertificaat [www.vevor.com/support](http://www.vevor.com/support)

## **WATERPAS PLOEGBEEN GEBRUIKSAANWIJZING**

We continue to be committed to provide you tools with competitive price.

"Save Half", "Half Price" or any other similar expressions used by us only represents an estimate of savings you might benefit from buying certain tools with us compared to the major top brands and does not necessarily mean to cover all categories of tools offered by us. You are kindly reminded to verify carefully when you are placing an order with us if you are actually saving half in comparison with the top major brands.

# VEVOR<sup>®</sup>

TOUGH TOOLS, HALF PRICE

## LEVELER PLOW LEG

MODEL: WBS-028 WBS-029



### NEED HELP? CONTACT US!

Have product questions? Need technical support? Please feel free to contact us:

**Technical Support and E-Warranty Certificate**  
[www.vevor.com/support](http://www.vevor.com/support)

This is the original instruction, please read all manual instructions carefully before operating. VEVOR reserves a clear interpretation of our user manual. The appearance of the product shall be subject to the product you received. Please forgive us that we won't inform you again if there are any technology or software updates on our product.



Waarschuwing: om het risico op letsel te verkleinen, moet de gebruiker de gebruiksaanwijzing zorgvuldig lezen.

## INSTRUCTIONS

Hartelijk dank voor het kiezen van dit product . Lees alle instructies voordat u het gebruikt. De informatie zal u helpen de best mogelijke resultaten te bereiken.

LET OP! De tekeningen in deze handleiding zijn bedoeld voor alleen ter illustratie en in sommige details mogelijk afwijken van het daadwerkelijke product.

### 1. GEBRUIKSVEILIGHEID

LET OP! Lees alle veiligheidswaarschuwingen en alle instructies. Het niet opvolgen van de waarschuwingen en instructies kunnen leiden tot ernstig letsel of zelfs dood. De apparaat of product worden gebruikt in de waarschuwing Instructies voor het raadplegen van de Gazon egalisatie hark .

Als u niet zeker weet of het product geschikt is werkt het apparaat niet goed of als u schade constateert, neem dan contact met ons op. neem contact op met het servicecentrum van de fabrikant . Alleen het servicecentrum van de fabrikant mag reparaties aan het product. Probeer niet om repareert u het apparaat zelf! Houd het apparaat uit de buurt van vuur- en warmtebronnen.

### 2. GEBRUIKSAANWIJZINGEN

Dit product is geen speelgoed of speelgoedkist. Laat kinderen niet met dit artikel spelen. Gebruik het alleen zoals bedoeld en houd toezicht op de kinderen om de stap- en openregels van de feeder te begrijpen.

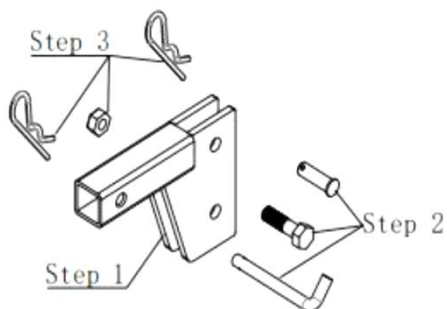
Het product is bedoeld voor het egaliseren van grote oppervlakken en alleen gebruikt voor het platmaken, niet gebruiken om te deuken, beitelen, scheppen, klappen of een andere vorm van arbeid. Gebruik het niet met geweld.

# BEWAAR DEZE INSTRUCTIES

## TECHNICAL PARAMETERS

Model	<b>WBS-02 8</b>	<b>WBS-02 9</b>
Type	Rechte schacht type	
Maat	16 "	18 "
Aantal gaten	3	
Kleur	Zwart	
Materiaal	Vraag 235	

## PARTS LIST AND ASSEMBLING



Zoals weergegeven in de afbeelding: gebruik de pen om de ploegpoot te monteren met uw tractor.

**Sollicitatie:**



**Fabrikant :** Shanghai muxinmuyeyouxiangongsi

**Adres:** Shuangchenglu 803nong11hao1602A-1609shi, baoshanqu, shanghai 200000 CN.

**Geïmporteerd naar AUS:** SIHAO PTY LTD. 1 ROKEVA  
STREETEASTWOOD NSW 2122 Australië

**Geïmporteerd naar de VS:** Sanven Technology Ltd. Suite 250, 9166  
Anaheim

Plaats, Rancho Cucamonga, CA 91730



E-CrossStu GmbH  
Mainzer Landstr.69, 60329 Frankfurt am Main.



YH CONSULTING LIMITED.  
C/O YH Consulting Limited Office 147, Centurion House,  
London Road, Staines-upon-Thames, Surrey, TW18 4AX





**VEVOR**<sup>®</sup>

**TOUGH TOOLS, HALF PRICE**

**Technische ondersteuning en e-garantiecertificaat**

**[www.vevor.com/support](http://www.vevor.com/support)**

# **VEVOR<sup>®</sup>**

**TOUGH TOOLS, HALF PRICE**

Teknisk support och e-garanticertifikat [www.vevor.com/support](http://www.vevor.com/support)

## **UTJÄMNARE PLOGBEN ANVÄNDARMANUAL**

We continue to be committed to provide you tools with competitive price.

"Save Half", "Half Price" or any other similar expressions used by us only represents an estimate of savings you might benefit from buying certain tools with us compared to the major top brands and does not necessarily mean to cover all categories of tools offered by us. You are kindly reminded to verify carefully when you are placing an order with us if you are actually saving half in comparison with the top major brands.

# VEVOR<sup>®</sup>

TOUGH TOOLS, HALF PRICE

## LEVELER PLOW LEG

MODELL: WBS-028 WBS-029



### NEED HELP? CONTACT US!

Have product questions? Need technical support? Please feel free to contact us:

**Technical Support and E-Warranty Certificate**  
[www.vevor.com/support](http://www.vevor.com/support)

This is the original instruction, please read all manual instructions carefully before operating. VEVOR reserves a clear interpretation of our user manual. The appearance of the product shall be subject to the product you received. Please forgive us that we won't inform you again if there are any technology or software updates on our product.



Varning - För att minska risken för skada måste användaren läsa instruktionerna noggrant.

## INSTRUCTIONS

Tack så mycket för att du valde denna produkt . Läs alla instruktioner innan du använder den. Informationen hjälper dig att uppnå bästa möjliga resultat.

OBS! Ritningar i denna handbok är till för endast i illustrationssyfte och i vissa detaljer kan skilja sig från den faktiska produkten.

### 1. ANVÄNDNINGSSÄKERHET

UPPMÄRKSAMHET! Läs alla säkerhetsvarningar och alla instruktioner.

Underlåtenhet att följa varningarna och instruktioner kan leda till allvarlig skada eller till och med död. Den enhet eller produkt används i varningen i instruktionerna för att hänvisa till Gräsutjämnare rake .

Jag f du är osäker på om produkten fungerar korrekt eller om du hittar skador, vänligen kontakta tillverkarens servicecenter . Endast tillverkarens servicecenter får göra reparationer av produkten. Försök inte göra reparationer själv! Håll enheten borta från eld- och värmekällor.

### 2. ANVÄND RIKTLINJER

Denna produkt är inte en leksak eller en leksakskrin. Tillåt inte barn att leka med detta föremål. Använd endast på avsett sätt och behöver övervaka barnen för att förstå steg & öppna reglerna för matare äntligen.

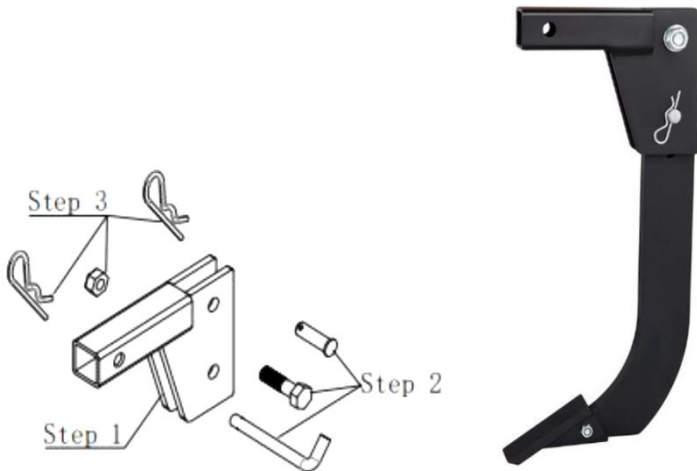
Produkten är avsedd för tillplattning av stora ytor och används endast för att platta till, använd inte för dingling, mejsling, skotta, klappning eller annan typ av förlossning. Använd den inte våldsamt.

## SPARA DESSA INSTRUKTIONER

## TECHNICAL PARAMETERS

Modell	<b>WBS-02 8</b>	<b>WBS-02 9</b>
Typ	Typ rakt skaft	
Storlek	16 "	18 "
Hålnummer	3	
Färg	Svart	
Material	Q235	

## PARTS LIST AND ASSEMBLING



Som visas i figuren: använd tappen för att montera plogbenet med din traktor.

**Ansökan:**



**Tillverkare :** Shanghaimuxinmuyeyouxiangongsi

**Adress:** Shuangchenglu 803nong11hao1602A-1609shi, baoshanqu, shanghai 200000 CN.

**Importerad till AUS:** SIHAO PTY LTD. 1 ROKEVA STREETEASTWOOD NSW 2122 Australien

**Importerad till USA:** Sanven Technology Ltd. Suite 250, 9166 Anaheim Place, Rancho Cucamonga, CA 91730

<b>EC</b>	<b>REP</b>
-----------	------------

E-CrossStu GmbH  
Mainzer Landstr.69, 60329 Frankfurt am Main.

<b>UK</b>	<b>REP</b>
-----------	------------

YH CONSULTING LIMITED.  
C/O YH Consulting Limited Office 147, Centurion House,  
London Road, Staines-upon-Thames, Surrey, TW18 4AX





**VEVOR<sup>®</sup>**

**TOUGH TOOLS, HALF PRICE**

**Teknisk support och e-garanticertifikat**

**[www.vevor.com/support](http://www.vevor.com/support)**

# **VEVOR<sup>®</sup>**

**TOUGH TOOLS, HALF PRICE**

Soporte técnico y certificado de garantía electrónica [www.vevor.com/support](http://www.vevor.com/support)

## **NIVELADOR PIERNA DE ARADO MANUAL DE USUARIO**

We continue to be committed to provide you tools with competitive price.

"Save Half", "Half Price" or any other similar expressions used by us only represents an estimate of savings you might benefit from buying certain tools with us compared to the major top brands and does not necessarily mean to cover all categories of tools offered by us. You are kindly reminded to verify carefully when you are placing an order with us if you are actually saving half in comparison with the top major brands.

# VEVOR<sup>®</sup>

TOUGH TOOLS, HALF PRICE

## LEVELER PLOW LEG

MODELO: INFORME DEL TRABAJO DEL ESTADO DE LA TÉCNICA  
028 INFORME DEL TRABAJO DEL ESTADO DE LA TÉCNICA 029



### NEED HELP? CONTACT US!

Have product questions? Need technical support? Please feel free to contact us:

**Technical Support and E-Warranty Certificate**  
**[www.vevor.com/support](http://www.vevor.com/support)**

This is the original instruction, please read all manual instructions carefully before operating. VEVOR reserves a clear interpretation of our user manual. The appearance of the product shall be subject to the product you received. Please forgive us that we won't inform you again if there are any technology or software updates on our product.



**Advertencia:** Para reducir el riesgo de lesiones, el usuario debe leer atentamente el manual de instrucciones.

## INSTRUCTIONS

Muchas gracias por elegir este producto . Lea todas las instrucciones antes de usarlo. La información le ayudará a lograr los mejores resultados posibles.

**¡ATENCIÓN!** Los dibujos de este manual son para Sólo con fines ilustrativos y en algunos detalles puede difieren del producto real.

### 1. SEGURIDAD DE USO

**¡ATENCIÓN!** Lea todas las advertencias de seguridad y todas las instrucciones.

No seguir las advertencias y instrucciones pueden provocar lesiones graves o incluso La muerte. dispositivo o producto se utilizan en la advertencia Instrucciones para consultar Rastrillo nivelador de césped .

Si no está seguro de si el producto es funcionando correctamente o si encuentra algún daño, por favor Póngase en contacto con el centro de servicio del fabricante . Sólo el centro de servicio del fabricante puede realizar Reparaciones del producto. No intente hacer reparaciones. ¡Repárelo usted mismo! Mantenga el dispositivo alejado de fuentes de fuego y calor.

### 2. PAUTAS DE USO

Este producto no es un juguete ni un baúl de juguetes. No permita que los niños jueguen con este artículo. Utilícelo únicamente según lo previsto y es necesario

supervisar a los niños para que comprendan las reglas de paso y apertura del comedero.

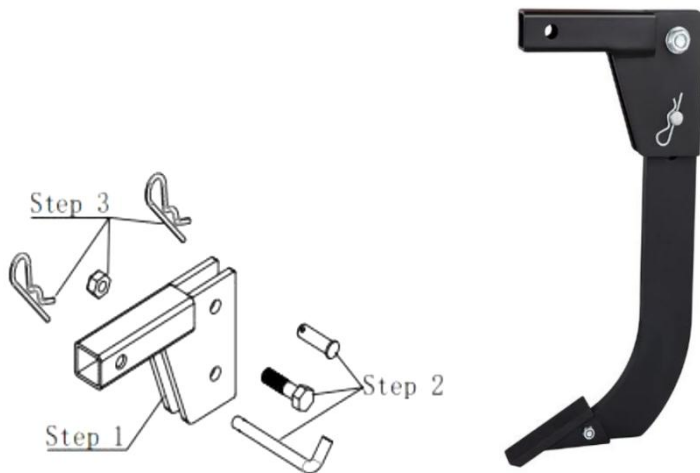
El producto está destinado a aplanar áreas grandes. y se utiliza únicamente para aplanar, No lo use para hacer ruido, cincelado, palear, aplausos u otro tipo de trabajo. No lo use violentamente.

## GUARDE ESTAS INSTRUCCIONES

### TECHNICAL PARAMETERS

Modelo	EDT-02 8	EDT-02 9
Tipo	Tipo de vástago recto	
Tamaño	16 "	18 "
Número de agujeros	3	
Color	Negro	
Material	Pregunta 235	

### PARTS LIST AND ASSEMBLING



Como se muestra en la figura: use el pasador para ensamblar la pata del arado. con tu tractor.

**Solicitud:**



**Fabricante :** Shanghaimuxinmuyeyouxiangongsi

**Dirección:** Shuangchenglu 803nong11hao1602A-1609shi, baoshanqu, shanghai 200000 CN.

**Importado a AUS:** SIHAO PTY LTD. 1 ROKEVA STREETEASTWOOD NSW 2122 Australia

**Importado a EE. UU.:** Sanven Technology Ltd. Suite 250, 9166 Anaheim Lugar, Rancho Cucamonga, CA 91730

<b>EC</b>	<b>REP</b>
-----------	------------

E-CrossStu GmbH  
Mainzer Landstr.69, 60329 Frankfurt am Main.

<b>UK</b>	<b>REP</b>
-----------	------------

YH CONSULTING LIMITED.  
C/O YH Consulting Limited Office 147, Centurion House,  
London Road, Staines-upon-Thames, Surrey, TW18 4AX







**VEVOR**<sup>®</sup>  
TOUGH TOOLS, HALF PRICE

Soporte técnico y certificado de garantía electrónica  
[www.vevor.com/support](http://www.vevor.com/support)

# **VEVOR<sup>®</sup>**

**TOUGH TOOLS, HALF PRICE**

Supporto tecnico e certificato di garanzia elettronica [www.vevor.com/support](http://www.vevor.com/support)

## **LIVELLATORE GAMBA DELL'ARATRO MANUALE D'USO**

We continue to be committed to provide you tools with competitive price.

"Save Half", "Half Price" or any other similar expressions used by us only represents an estimate of savings you might benefit from buying certain tools with us compared to the major top brands and does not necessarily mean to cover all categories of tools offered by us. You are kindly reminded to verify carefully when you are placing an order with us if you are actually saving half in comparison with the top major brands.

# VEVOR<sup>®</sup>

TOUGH TOOLS, HALF PRICE

## LEVELER PLOW LEG

MODELLO: CODICE ARTICOLO: WBS-028 CODICE ARTICOLO:  
WBS-029



### NEED HELP? CONTACT US!

Have product questions? Need technical support? Please feel free to contact us:

**Technical Support and E-Warranty Certificate**  
**[www.vevor.com/support](http://www.vevor.com/support)**

This is the original instruction, please read all manual instructions carefully before operating. VEVOR reserves a clear interpretation of our user manual. The appearance of the product shall be subject to the product you received. Please forgive us that we won't inform you again if there are any technology or software updates on our product.



Attenzione: per ridurre il rischio di lesioni, l'utente deve leggere attentamente il manuale di istruzioni.

## INSTRUCTIONS

Grazie mille per aver scelto questo prodotto . Si prega di leggere tutte le istruzioni prima di utilizzarlo. Le informazioni ti aiuteranno a ottenere i migliori risultati possibili.

NOTA BENE! I disegni in questo manuale sono per solo a scopo illustrativo e in alcuni dettagli può differiscono dal prodotto reale.

### 1. SICUREZZA D'USO

ATTENZIONE! Leggere tutte le avvertenze di sicurezza e tutte le istruzioni. La mancata osservanza delle avvertenze e le istruzioni possono causare gravi lesioni o addirittura la morte. dispositivo o prodotto sono utilizzati nell'avviso istruzioni per fare riferimento al rastrello livellatore per prato .

Se non sei sicuro che il prodotto sia funziona correttamente o se si riscontrano danni, si prega di contattare il centro di assistenza del produttore . Solo il centro di assistenza del produttore può effettuare riparazioni al prodotto. Non tentare di effettuare ripara da solo! Tieni il dispositivo lontano da fonti di fuoco e calore.

### 2. LINEE GUIDA PER L'USO

Questo prodotto non è un giocattolo né un baule portagiochi. Non permettere ai bambini di giocare con questo articolo. Utilizzare solo come previsto e bisogna supervisionare i bambini per capire le regole di apertura e chiusura della

mangiatoia.

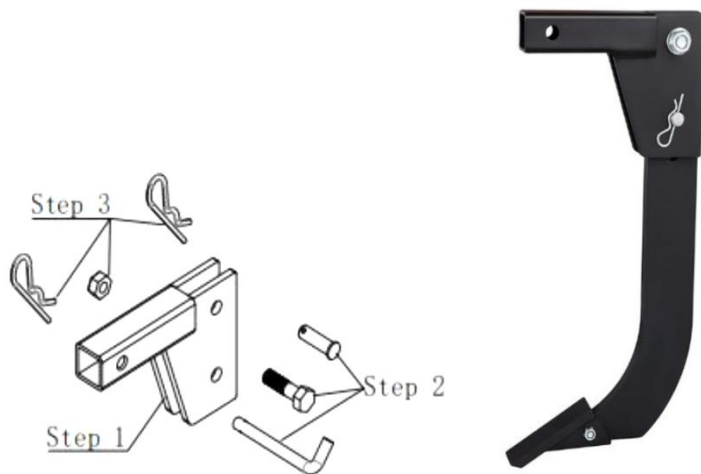
Il prodotto è destinato alla spianatura di grandi superfici e utilizzato solo per appiattire, non usare per suonare, cesellatura, spalare, battere le mani o fare altri tipi di lavoro. Non usarlo in modo violento.

## SALVA QUESTE ISTRUZIONI

### TECHNICAL PARAMETERS

Modello	<b>CODICE ARTICOLO: WBS-02 8</b>	<b>9 ANNI FA</b>
Tipo	Tipo a gambo dritto	
Misurare	16 ”	18 ”
Numero di buche	3	
Colore	Nero	
Materiale	Q235	

### PARTS LIST AND ASSEMBLING



Come mostrato nella figura: utilizzare il perno per assemblare la gamba dell'aratro con il tuo trattore.

### **Applicazione:**



**Produttore** : Shanghaimuxinmuyeyouxiangongsi

**Indirizzo**: Shuangchenglu 803nong11hao1602A-1609shi, baoshanqu, shanghai 200000 CN.

**Importato in AUS**: SIHAO PTY LTD. 1 ROKEVA STREETEASTWOOD NSW 2122 Australia

**Importato negli USA**: Sanven Technology Ltd. Suite 250, 9166 Anaheim Luogo, Rancho Cucamonga, CA 91730

<b>EC</b>	<b>REP</b>
-----------	------------

E-CrossStu GmbH  
Mainzer Landstr.69, 60329 Frankfurt am Main.

<b>UK</b>	<b>REP</b>
-----------	------------

YH CONSULTING LIMITED.  
C/O YH Consulting Limited Office 147, Centurion House,  
London Road, Staines-upon-Thames, Surrey, TW18 4AX







**VEVOR<sup>®</sup>**

**TOUGH TOOLS, HALF PRICE**

**Supporto tecnico e certificato di garanzia elettronica**

**[www.vevor.com/support](http://www.vevor.com/support)**