

VEVOR[®]

TOUGH TOOLS, HALF PRICE

Technical Support and E-Warranty Certificate www.vevor.com/support

MANICURE TABLE

MODEL: MT-020F

We continue to be committed to provide you tools with competitive price.

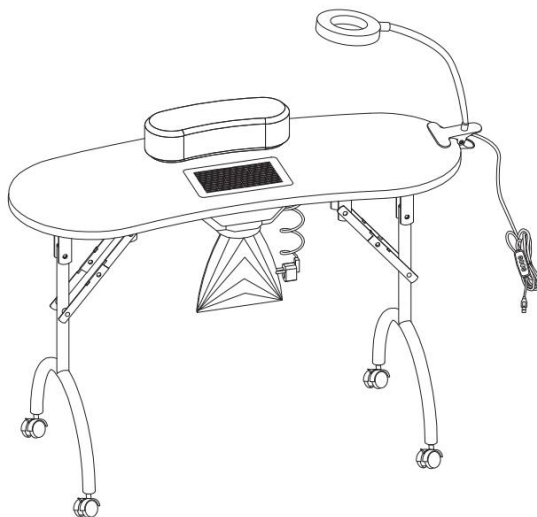
"Save Half", "Half Price" or any other similar expressions used by us only represents an estimate of savings you might benefit from buying certain tools with us compared to the major top brands and does not necessarily mean to cover all categories of tools offered by us. You are kindly reminded to verify carefully when you are placing an order with us if you are actually saving half in comparison with the top major brands.

VEVOR[®]

TOUGH TOOLS, HALF PRICE

MANICURE TABLE

MODEL: MT-020F






NEED HELP? CONTACT US!

Have product questions? Need technical support? Please feel free to contact us:

Technical Support and E-Warranty Certificate
www.vevor.com/support

This is the original instruction, please read all manual instructions carefully before operating. VEVOR reserves a clear interpretation of our user manual. The appearance of the product shall be subject to the product you received. Please forgive us that we won't inform you again if there are any technology or software updates on our product.

	<p>Warning-To reduce the risk of injury, user must read instructions manual carefully.</p>
	<p>Compliance is a EC & UK security certification.</p>
	<p>This product is subject to the provision of European Directive 2012/19/EC. The symbol showing a wheellie bin crossed through indicates that the product requires separate refuse collection in the European Union. This applies to the product and all accessories marked with this symbol. Products marked as such may not be discarded with normal domestic waste, but must be taken to a collection point for recycling electrical and electronic devices</p>

Safety Warnings and Precautions

Thank you for using this product. In order to make sure that you can operate the machine correctly, read this instruction carefully before operation and keep it properly for future reference. Please be sure to read the precautions and safety rules in this page to ensure your safe use. This manual will outline safety warnings and precautions, operating, maintenance and cleaning. The warnings and instructions reviewed in this manual cannot cover all possible conditions and situations that may occur. Caution and common sense are not built into this product, since we believe that the uses will comply with these codes.

Please read ALL the instructions before using your machine.

- 1. Make sure the voltage in your outlet is the same as the voltage indicated on the appliance's rating label.**
2. Do not let children, minors, and pets get close to or touch the machine.
3. Use as intended only. Do not stand or sit on the product, and do not place heavy objects on the product.
4. To prevent electrical shock, do not immerse the cord or plug into water or other

liquids.

5. Do not immerse the appliance in water or any other liquid.
6. Unplug the machine from the outlet when not in use and before cleaning.
7. Do not operate the device with a damaged cord or plug, malfunction, or mechanical damage. Send it to your nearest authorized service center for examination and repair (ONLY technicians should open up the it).
8. Using any accessories or attachments that are not provided or recommended by the manufacturer may cause injury.
9. If the machine is not to be used for a long period of time, unplug it, clean and cover it and store it in a dry and safe place.
10. Do not leave the power cord hanging over the edge of table or counter or let it come into contact with any hot surfaces.
11. Do not place the unit on or near hot air, electric burners or heaters.
12. Always switch off the power to the socket before plugging in or unplugging. Hold the plug instead of pulling on the cord.
13. Do not apply this unit to any other purposes than the indicated usage.
14. Do not place in a damp environment..
15. KEEP IT OUT OF CHILDREN'S REACH.
16. DO NOT CLEAN IT WITH ANY ABRASIVE MATERIAL.
17. Never leave it unattended while in use.
18. INDOOR USE ONLY.
19. Ensure that the power outlet, plug and cord being used are in good working condition. Damaged components should be repaired by a certified electrician who is qualified to meet local safety and electrical codes. Even if your power cord is functioning properly, keep it away from water and avoid letting it run over carpets or heating devices.
20. Avoid using it in the presence of flammable liquids, gases, dust or other explosive situations.
21. Type Y attachment: If the supply cord is damaged, it must be replaced by the manufacturer, its service agent or similarly qualified persons in order to avoid a hazard.

22. People with respiratory diseases or skin diseases are forbidden to use.

23. This appliance is not intended for use by persons (including children) with reduced physical, sensory or mental capabilities, or lack of experience or knowledge, unless they have been given supervision or instruction concerning the use of the appliance by a person responsible for their safety.

24. The product should be placed on a flat surface.

25. WARNING: Do not place drinks or other liquids on the product. If liquid is poured, unplug the power cord immediately.

26. Assembly needs to follow these instructions. Incorrect assembly can be a hazard.

27. Wear safety goggles and heavy-duty work gloves during assembly.

28. Do not assemble when tired or when under the influence of alcohol, drugs or medication.

29. Weight and other product properties only apply to correctly and completely assembled products.




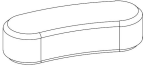

30. Keep the assembly area clean and well-lit.

31. Keep bystanders out of the area during assembly.

32. This product is not a toy. Do not allow children and pets to play with or approach this item.

33. Inspect before every use. Do not use it if parts are loose or damaged.

PART LISTS

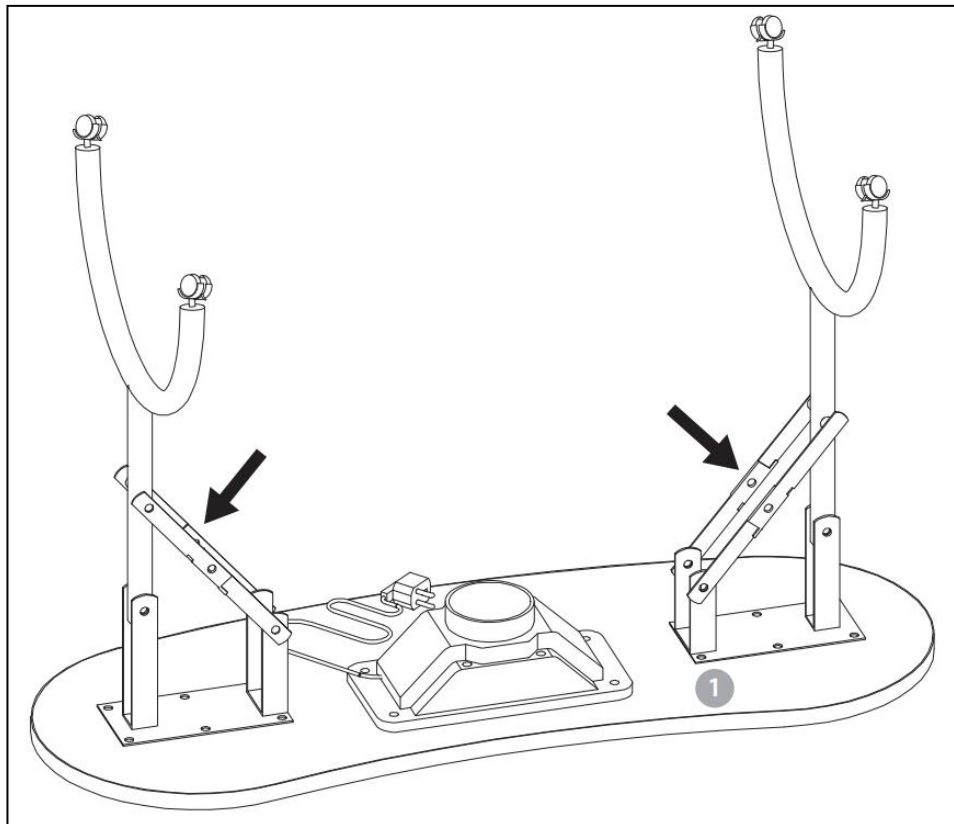
<p>1. mani cure table x1PCS</p>		<p>2. Dust bag X3PCS</p>		<p>3. LED light X1PCS</p>	
<p>4. Hand pillow x1PCS</p>		<p>5. Storage bag x1PCS</p>		<p>Fuse x1PCS</p>	

Note: the quantity of parts shown in the manual is the actual usage and the unused parts are spare parts.

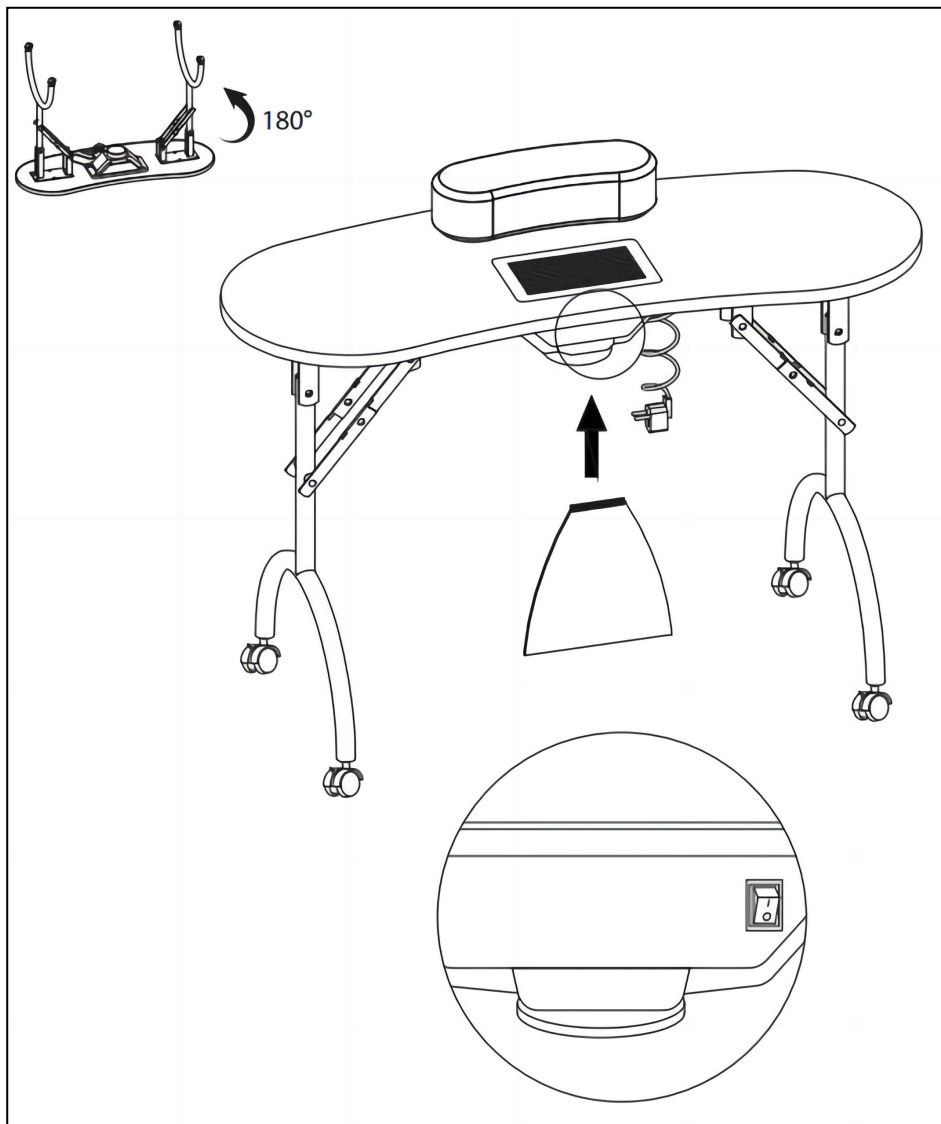
ASSEMBLY STEPS

1. Please dispose of all plastic bags carefully and keep them away from children and pets.
2. Check all components provided according to the list in this manual. Make sure you have all of the parts listed.
3. Although paying particular attention when manufacturing this product, you must be careful during the assembly process to avoid being scratched by sharp edges.
4. Wear eye-protective goggles and protective gloves during assembly and use.
5. The product should be placed on a flat surface.
6. The product requires two people to assemble.
7. The product requires the use of a Phillips screwdriver (cross screwdriver need to be purchased by oneself).
8. If uneven product gaps are found, they can be disassembled and adjusted.

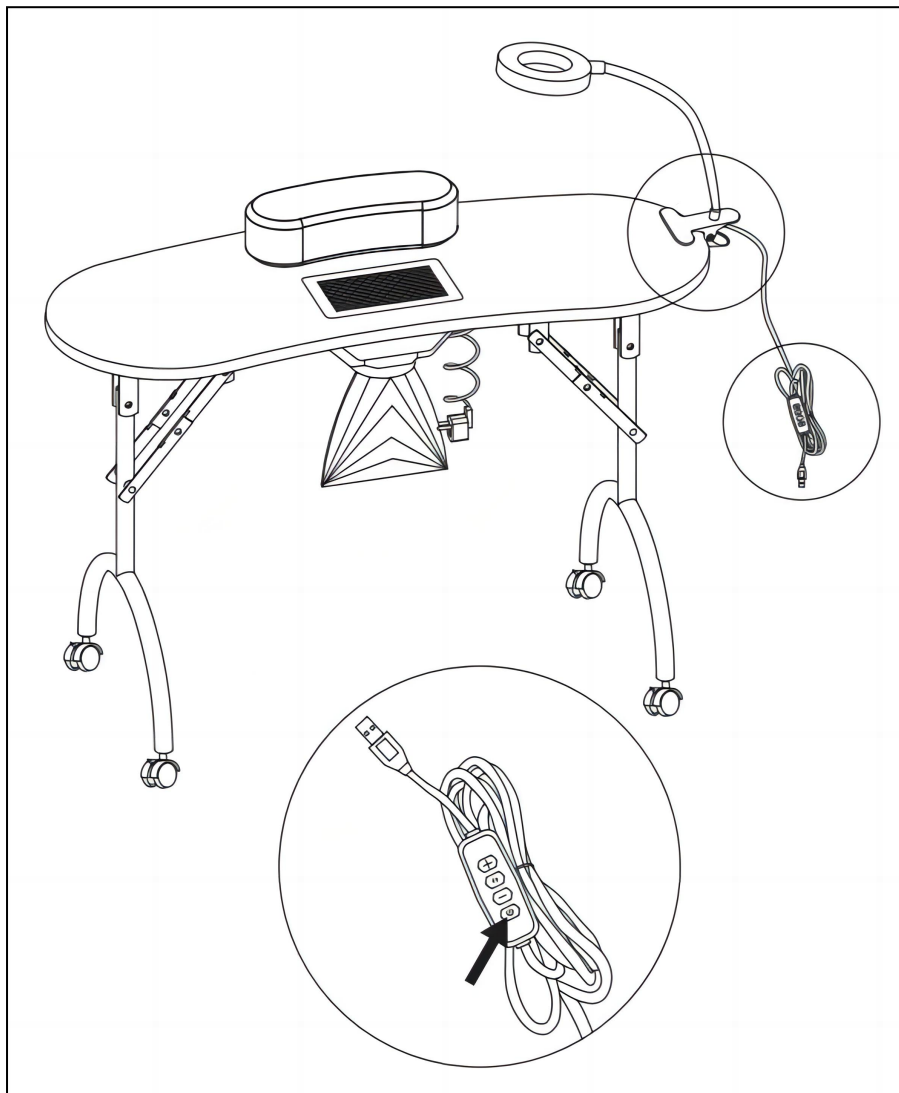
STEP1: Press down on the drop leaf supports in the direction shown in the figure to secure the table legs.



STEP2: Flip the table 180° so that it is right-side up. Put Part 4 (the armrest pad) on the table. Attach Part 2 (the dust bag) under the outlet of the dust collector. The position of the dust collector's switch is shown in the figure.



STEP3: Clip the table lamp to the edge of the table. After connecting it to the power supply, press the power button to turn the lamp on.



CLEANING AND STORAGE

1. Wipe with a soft, dry cloth. Never use an abrasive cleanser or harsh pad. Do not clean with water or other liquids.
2. Be sure to keep the product dry
3. Children are **not allowed** to wipe the product to avoid tipping and falling injuries.
4. Regularly adding industrial grease to the door spindle can reduce noise and extend service life.

TIPS

If the product does not work after being powered on, please check whether the fuse is burned out.

Manufacturer: Shanghaimuxinmuyeyouxiangongsi

Address: Shuangchenglu 803nong11hao1602A-1609shi, baoshanqu, shanghai 200000 CN.

Imported to AUS: SIHAO PTY LTD. 1 ROKEVA STREETEASTWOOD NSW 2122 Australia

Imported to USA: Sanven Technology Ltd. Suite 250, 9166 Anaheim Place, Rancho Cucamonga, CA 91730



YH CONSULTING LIMITED.
C/O YH Consulting Limited Office 147,
Centurion House, London Road,
Staines-upon-Thames, Surrey, TW18 4AX



E-CrossStu GmbH
Mainzer Landstr.69,
60329 Frankfurt am Main.

VEVOR[®]

TOUGH TOOLS, HALF PRICE

Technical Support and E-Warranty Certificate

www.vevor.com/support