

VEVOR[®]

TOUGH TOOLS, HALF PRICE

Technical Support and E-Warranty Certificate www.vevor.com/support

OUTBOARD HYDRAULIC STEERING SYSTEM

MODEL:NR150/NR300

We continue to be committed to provide you tools with competitive price. "Save Half", "Half Price" or any other similar expressions used by us only represents an estimate of savings you might benefit from buying certain tools with us compared to the major top brands and does not necessarily mean to cover all categories of tools offered by us. You are kindly reminded to verify carefully when you are placing an order with us if you are actually saving half in comparison with the top major brands.

VEVOR[®]
TOUGH TOOLS, HALF PRICE

**OUTBOARD HYDRAULIC
STEERING SYSTEM**

MODEL:NR150/NR300



<Picture Only For Reference >

NEED HELP? CONTACT US!

Have product questions? Need technical support? Please feel free to contact us:

Technical Support and E-Warranty Certificate
www.vevor.com/support

This is the original instruction, please read all manual instructions carefully before operating. VEVOR reserves a clear interpretation of our user manual. The appearance of the product shall be subject to the product you received. Please forgive us that we won't inform you again if there are any technology or software updates on our product.

IMPORTANT SAFEGUARDS



WARNING: Read and understand this entire manual before operating or servicing this product. Failure to follow these warnings and instructions can cause personal injury or damage to valuable property.

Assembly precautions

1. Assemble only according to these instructions. Improper assembly can create hazards.
2. Keep assembly area clean and well-lit.
3. Keep bystanders out of the area during assembly.
4. Do not assemble when tired or when under the influence of alcohol, drugs or medication.
5. Product capabilities apply to properly and completely assembled product only.
6. For additional information regarding the parts listed in the following pages, please refer to the Assembly Diagram of this manual. Unwrap and separate all parts in a clean work area. Please keep small spare parts out of children's reach.

SAVE THESE INSTRUCTIONS

Thank you for purchasing VEVOR hydraulic steering system.

This manual will elaborate the various functions of this system so that you can fully experience the premium enjoyment this product can bring you.

- VEVOR hydraulic steering system is based on the concept of modern industrial design, the high efficiency, high transmission power piston pump technology is applied to the design and manufacture of ship steering gear, which makes your steering system more stable, smarter and more reliable.
- The main components of the steering gear are high strength aluminum alloy and stainless steel which can be used in harsh marine conditions and extend the longevity of steering gear.
- The steering gear will relieve you from the heavy and inflexible mechanical shaft steering, which can save your sore arms. It can enhance the pleasure of driving a speedboat.

MAIN FEATURES

- The steering pump is with compact inner structure and the fashionable and beautiful appearance.
- Two - way Built - in locking valve eliminates the rebound torque .
- Easy to replace the shaft seal ,user - friendly design;
- Steering shaft with special surface treatment not only has strength and reliability, but also has the characteristics of wear resistance, corrosion resistance.
- High-strength aluminum alloy shell and surface treatment process can ensure its wear and corrosion resistance and prevent water erosion effectively.
- Piping: High-strength nylon quick-fitting 1/4-pipe fittings makes the installation compact and it is reusable .
- The use of custom high -standard hydraulic oil can improve the lubrication of parts and seal protection .



GENERAL SAFETY RULES AND WARRANTY

This installation and maintenance manual is an integral part of the product and must be fully understood by the user before installation.

The installation, maintenance and transfer of hydraulic direction system components of VEVOR series of products must be done by the authorized and qualified professional technicians. VEVOR series of products implements the warranty for two years after-sales service, when using the product, If there is any question or problem, please contact the dealer in time. VEVOR will provide the correct guidance. VEVOR will not take responsible for the consequences of unauthorized dismantling or disassembling.

Without the prejudice to the nature of the product, VEVOR has the rights to make changes to the description information and illustrations contained in this manual , VEVOR does not assume any responsibility for the adverse consequences caused

by copying this manual in any other illegal means which makes the user can't follow the standard installation instructions.

INSTALLATION PRECAUTIONS

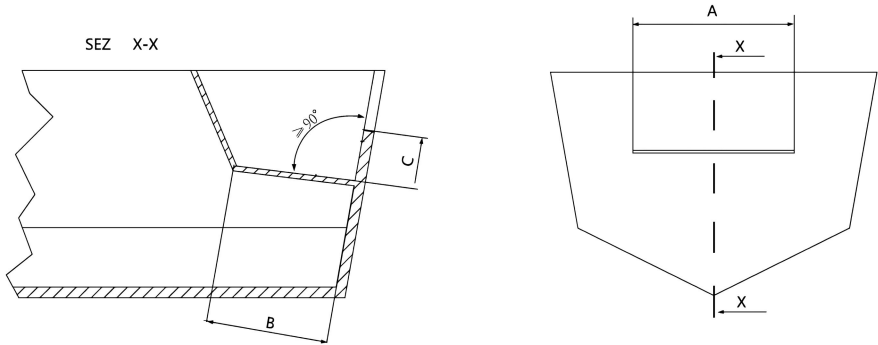
- Use components provided by VEVOR only, The parts supplied by the other manufactures
- may cause safety hazards and affect the steering function;
- On all pipe connection threads, only seals such as Loctite PST or equivalent sealant should be used. Do not use (banding) or similar sealing tapes, as this may allow debris to enter the body of the pump and cause the blockage of the pipe .
- Please use 10 # or 15 # special hydraulic oil which is qualified and environment-friendly. Using other oil (such as brake oil) instead may cause irreparable damage to your equipment, causing loss of steering function and no warranty.
- The minimum bending radius of the pipe is 1 "18 (30CM). Do not touch the sharp objects. Continued bending, rubbing, scratching or twisting may cause the pipe to be damaged and rupture due to the normal steering pressure, thus causing loss of steering function.
- Do not let the pipe drop freely when using, please use wire or other PVC material to fix, so as to avoid potential safety hazard.
- Regular maintenance of system components and inspection of pipes and fittings for wear or damage can prolong the usage life of your equipment.

TECHNICAL INFORMATION

TYPE	150HP	300HP-A
PUMP	NR150	NR300
TUBE I.D(mm)	30	35
ROD I.D(mm)	16	18
STROKE[mm]	200	210
MAX PRESSION (bar)	103	69
APPLICATI ON	Up to 150HP	Up to 300HP

MINIMUM SPLASH WELL DIMENSIONS

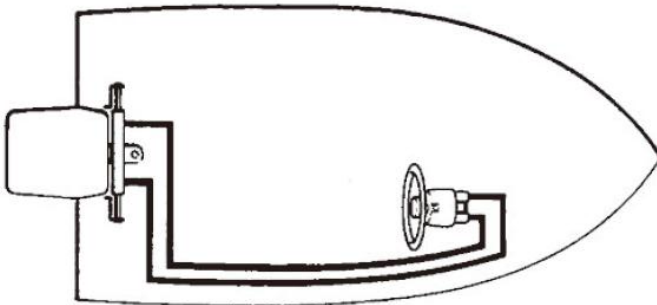
Before attempting installation, ensure that the splash well of your boat has the following minimum dimensions.



MINIMUM SPLASHWELL DIMENSIONS			
Number of engines	A(mm)	B(mm)	C(mm)
1	560	152	152
2	1110	152	152

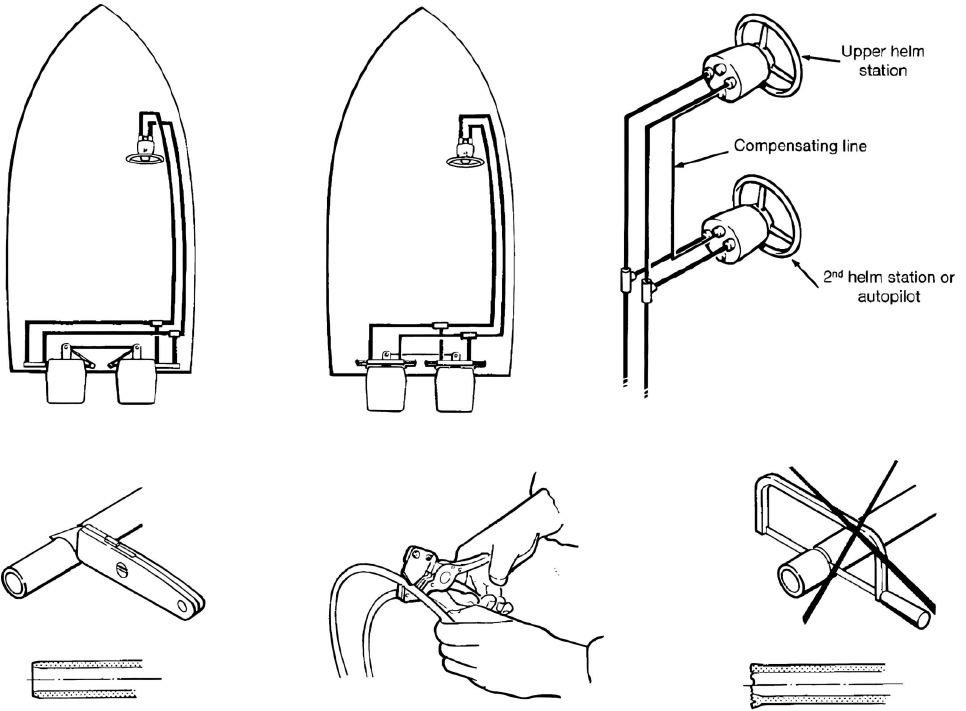
HOSES / FITTINGS INSTALLATION-PUMP CONNECTION

Refer to illustrations below for the correct connection of hoses from helm pump to cylinder.



For NR150/NR300

Hose connection



We recommend the use of VEVOR steering hoses only.

Always try to route the hoses via the shortest path in order to avoid any possible loss of power. In order to make the air bleeding of the system easier, it is suggested to mount the hoses horizontally with an inclination of about 3 cm per meter; the pump side has to be higher than the cylinder side.

Always protect the hoses which have to pass through a different compartment or use suitable bulkhead connectors or sleeve.

Hoses have to be installed in such a way they don't represent an obstacle for other components.

Do not remove protective end covers until the hoses have been routed and are ready to be connected to the helm pump, hose fitting or steering cylinder(s).

Provide sufficient hose lengths to allow for cylinder movement throughout the turning arc and up/down trim/tilt settings of the engine(s).

Throughout the hose installation, ensure the protective caps remain installed onto the end of the hoses.

Attention:

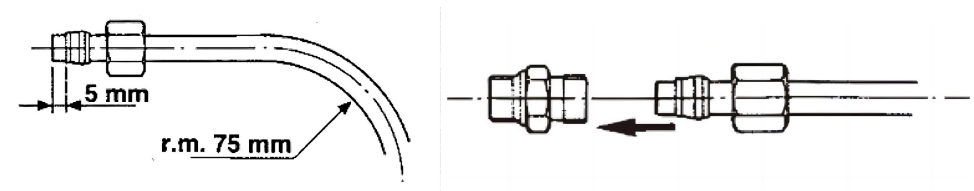
Do not install hoses in an area where they will be exposed to high heat, Extreme heat reduces the hose bursting pressure and can cause the hose melting, Exercise great cleanliness. Make sure that pipes and hoses are perfectly clean and free from swarf.

Note:

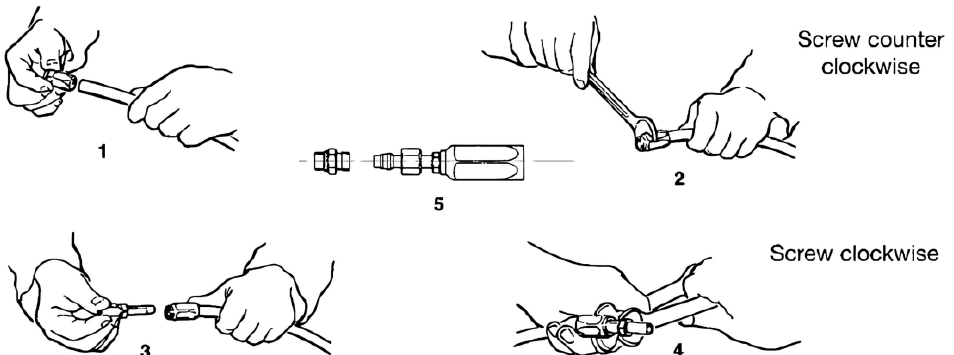
Flexible hoses have to be cut by means of a sharp knife; never use a saw, as fragments of nylon in the hydraulic system cause serious problems

HYDRAULIC HOSE INSTALLATION

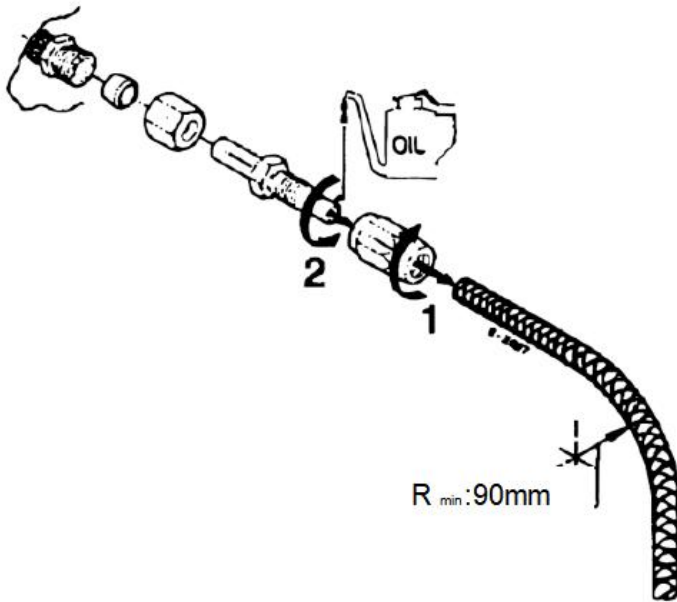
After cutting the nylon hose, fit the coupling nut and the support sleeve on the hose (check it is properly in relation to the end of the hose). After the mounting of the nut, you have to tight by means of a spanner.



Otherwise, you can mount flexible hose with recyclable fittings. Do as the illustrations below show.



After the installation clean the inside of the hoses by blowing through using compressed air, in order to avoid any obstructions and to remove dust and debris from storage. Before the air bleeding it is also suggested to make a rinsing of the system. Do not use water.

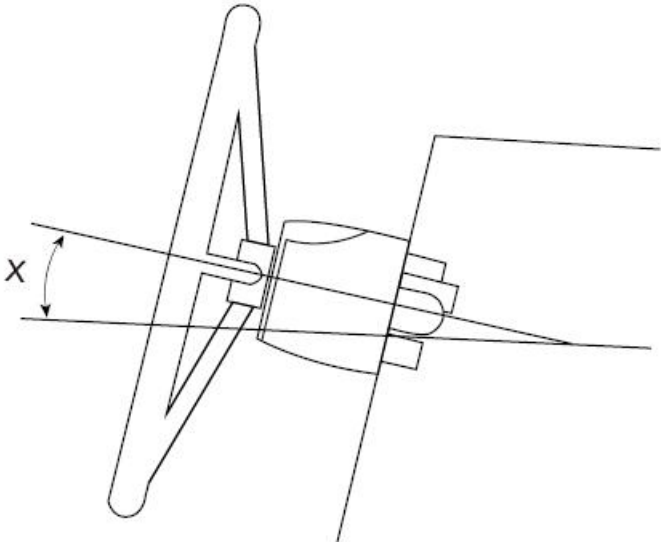


1. After cutting, screw the tube coupling sleeve onto the tubing (left-handed thread).
2. Oil the tube coupling and screw it into the sleeve. Make sure that the internal sheathing of the tubing dose not follow while tightening the screw! Also make sure that the internal sheathing of the tubing is not squeezed while tightening the screw.
3. Check there is no internal interference putting a small screwdriver into the tube coupling before proceeding with hose installation to helm or cylinder.

HYDRAULIC DIRECTION SYSTEM NR150/ NR300 INSTALLATION

Installation Tools (To complete the installation of this system.you need the following tools):

A.9mm drill bit	E.17mm installation wrench
B.30mm mounting wrench	F.12mm installation wrench
C.11mm installation wrench	G.24mm socket wrench
D.19mm installation wrench	



Important:

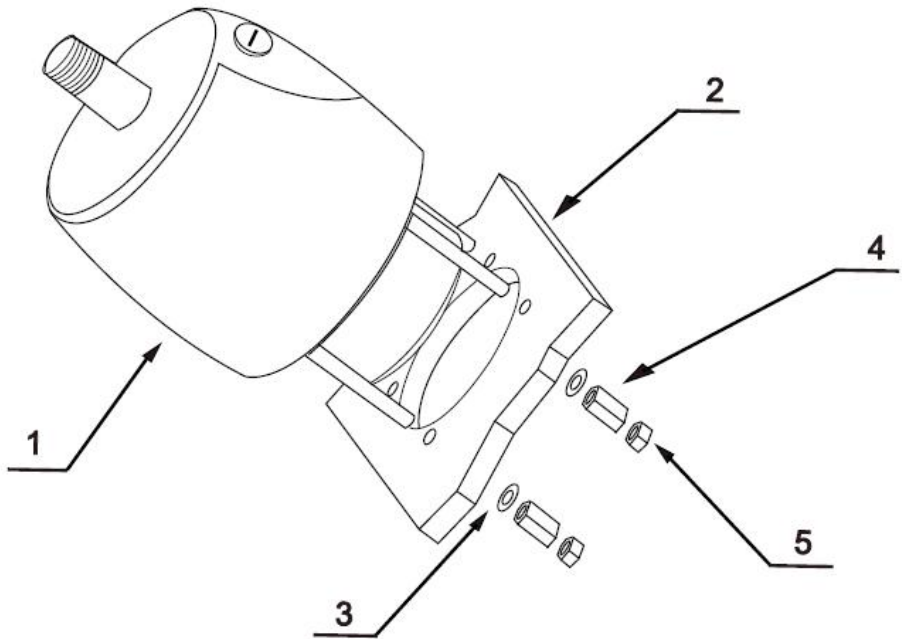
perform the bleeding procedure manually and with the helm pump inclined no more of 20 degree (X).

Steering pump NR300 Installation:

Determine the angle and position you are installing to ensure that the steering whee does not interfere with other equipment. Check that there is still sufficient space behind the bridge dashboard (2) for fitting and pipe connections.

If no installation holes in instrument panel have been opened, refer to the drilling template in the attachment and open holes in appropriate positions.

RIF.	DESCRIPTION	QTY
1	Pump	1
2	Board	1
3	Shim	4
4	Strain-relief nut	4
5	Lock nut	4

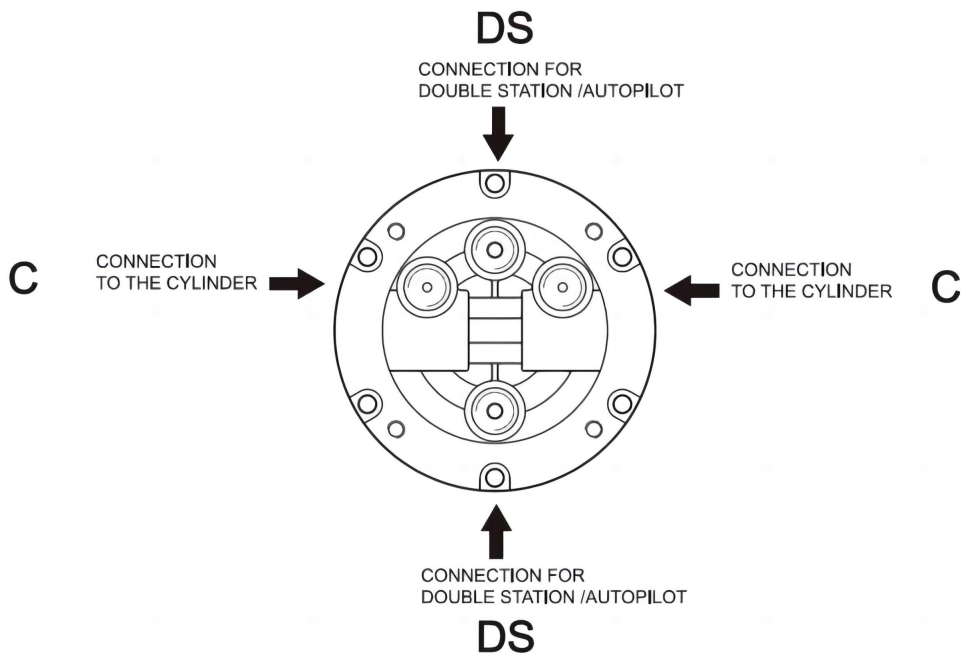


- Attach a 1: 1 access hole mounting template (included with this manual) to the instrument panel, and position the mounting hole as standard with a hole cutter.
- Drill a 77mm diameter hole and drill four 9MM diameter holes as shown on the mounting template.
- Route the arranged tubing through the middle 77mm diameter hole and connect it to the steering pump(1).
- Install the steering pump on the instrument panel with 4 washers (3) and 4 strain-relief nuts (4), 4 lock nuts (5), tightening torque ≤ 15 N.
- Lubricate the taper section of the shaft. Install the semicircular key. Place the steering wheel in the direction shaft and the steering wheel key way on the semicircular key. Place the shim and tighten the steering lock nut,the tightening torque is ≤ 20 N.

Note:

- The steering pump should be mounted at a tilt angle of X 20 degree. If it is exceeded. it may cause air to enter the duct and affect the steering function.

- Only use self-locking fasteners provided by VEVOR or standard fasteners. Using non-self-locking fasteners instead may cause the equipment to loosen or separate.
- Do not open the pump cover or filler cap when installing the steering pump to prevent dirt and chips from entering the pump and causing the steering function.
- Teflon-like ribbon seals can not be used on pipe nipples. which may cause tape chips to enter the pump body and thus affect the steering function. (The VEVOR series is a pipe thread sealing technology that does not require the use of other sealing tape seals.)



VALVE PORTS CONNECTION:

Port marked “C” connections to the cylinder/s

Port marked “DS” connections to the additional station or autopilot

CYLINDER 300HP INSTALLATION

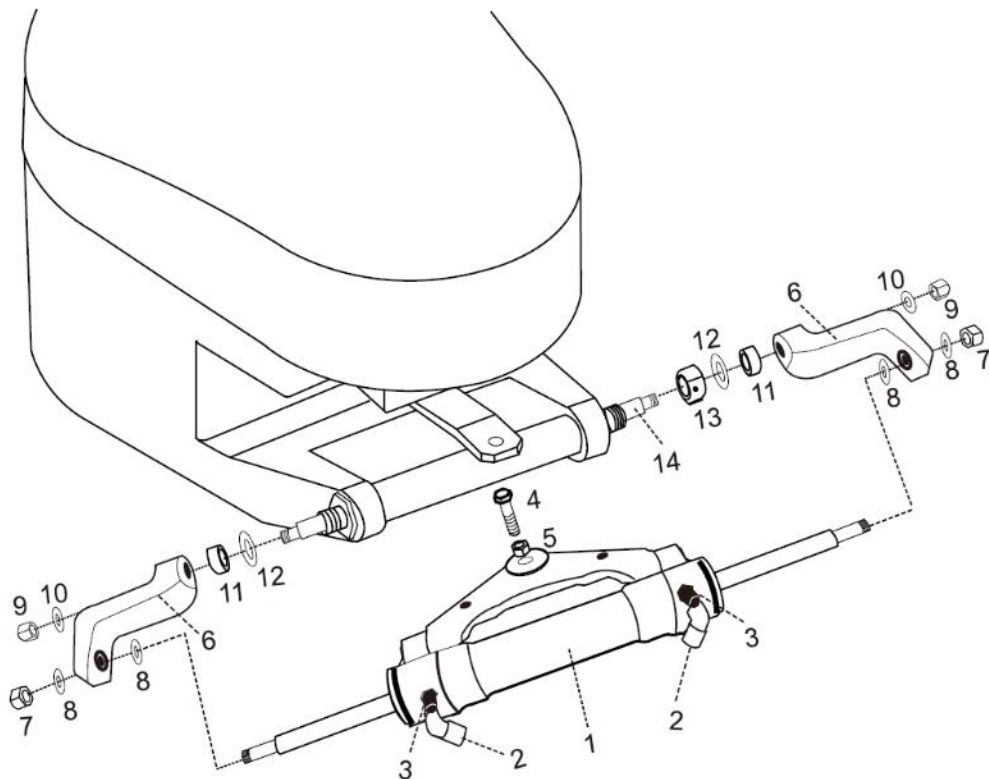
⚠WARNING:

It is important to check periodically, at least every 3months (or every month for professional uses), the right torque of this bolt and of the locknut.

The cylinder arm should be attached of the engine tiller arm on most brands of outboards .in the event that the tiller interferes with other parts of the outboard then it can be mounted under the tiller instead.

▲WARNING:

Remove the red caps in order to install the hose's fittings.



RIF.	DESCRIPTION	QTY	RIF.	DESCRIPTION	QTY
1	Cylinder	1	8	Bracket gasket	4
2	Hose connector	2	9	Mounting rod self-locking nut	2
3	Vent connector	2	10	Self-locking nut washer	2
4	3/8-24 connection bolt	1	11	Stainless steel gasket	2

5	3/8-24 Lock nut	1	12	Gap adjustment pad	2
6	Cylinder bracket	2	13	Gap adjustment nut	1
7	Piston rod self-locking nut	2	14	Mounting rod	1

- Before trying to install, please check whether your engine is suitable for this type of cylinder, and ensure that your stern board space is of sufficient size for installation.
- Before installation, please lubricate the movable connection parts of the engine and the cylinder and the piston rod with qualified marine lubricant, and straighten your engine to the middle position;
- Loosen the self-locking nuts (7) (9) at both ends of the cylinder piston rod and the mounting rod and remove the mounting rod (14), stainless steel washer (12), clearance adjustment block (11) clearance adjustment nut (13), After removing the accessories, install the mounting rod (14) into the mounting hole of the engine (as shown above);
- Remove the bolt (4) in the middle hole of the cylinder triangle plate bracket, adjust the angle of the engine, correspond to the hole on the engine connection plate, use bolts (4) and nuts (5) to fix the cylinder triangle plate to the engine .Pay attention to the left and right swing of the machine to ensure that the cylinder will not interfere with the engine's movement after installation.
- Adjust the angle of the engine and the extension length of the piston rod of the cylinder. Install the two cylinder brackets (6), the gap adjustment nut (13), the stainless steel gasket (12), and the gap adjustment block (11) to the piston rod and the mounting rod properly according to gap between the engine and the cylinder.(See pictured above)
- After the installation is completed, the gap adjustment nut (13) should be rotated to the left and locked to eliminate the running gap of the cylinder. Doing that will enhance your usage experience.
- After the installation is complete, push your engine to the left and right to make a trial run of the cylinder. Check whether there are interference parts when the cylinder runs back and forth. If there is interference, you need to readjust the installation. If there is no interference, push the engine to the end of the left/right limit. The next step is to refuel and exhaust;

WARNING:

When installing, to avoid bumping the piston rod, it is forbidden to hit the piston rod with wrench or anything hard, If the piston rod is bruised, it will cause hydraulic oil leakage of the oil cylinder which will compromise your product experience.

Hydraulic direction of the system of gas exhaust:

This work procedure requires two people to operate. a person may not be able to completely remove all the air inside the hydraulic system which results in that the hydraulic system output pressure is not enough, the impact of weakness weakness, slow response, thus affecting your product experience.

Please use special eco-friendly hydraulic oil or other qualified special hydraulic oil for refueling, Do not use brake oil, Using other unacceptable corrosive oil may cause irreparable damage to your system and result in the product being unable to be warranted .

PRECAUTIONS:

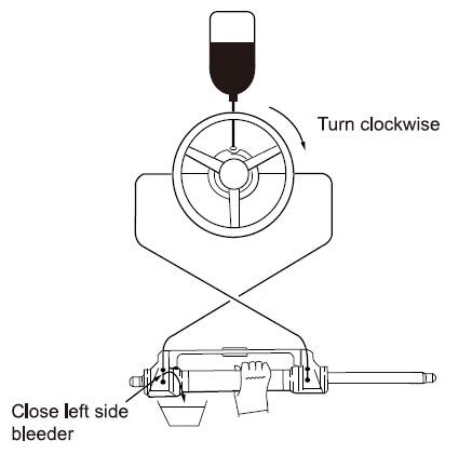
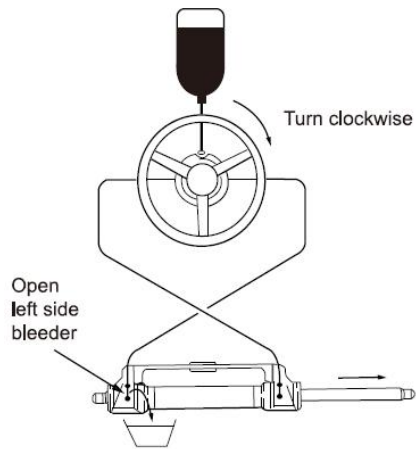
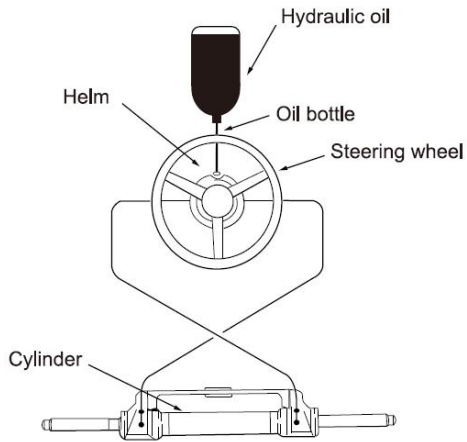
If you fill the pump with hydraulic fluid before connecting the filler tube to the pump, the filling procedure can be made more quickly and easily.

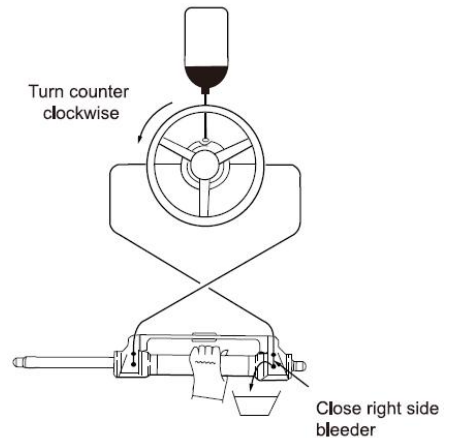
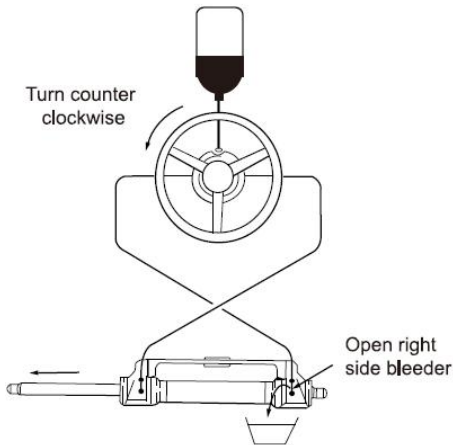
In case of emergency, any non-toxic, non-corrosive, non-flammable oil can be temporarily supplied to the system, but the entire system must be thoroughly cleaned afterwards:Please keep refueling tube visible during the entire refueling process. Do not allow oil to enter the pump Otherwise, air may be introduced to increase refueling time.During the process of refueling and exhausting the hydraulic oil collected from the air bleeder manifold of the cylinder can be used directly after a few moments.Please protect the environment and properly dispose of used oil. The special hydraulic oil provided by VEVOR system can be reused after being filtered by the filter with the hole diameter less than or equal to 38um.

REFILLING AND VENTING STEPS

- Screw the fillet pipe thread equipped with the system into the fueling pump port and tighten to confirm airtight
- Fit the sharp mount included with this system to the oil bottle cap.Insert the sharp mouth into the pump with some force,pour the oil into the fuel filler pipe until you can't see the air(the bottle can be squeezed gently to

speed up refilling.)





- Turn the steering wheel slowly clockwise until one side of the piston rod is fully extended. Fit the exhaust pipe to the retract side of the piston rod to collect the oil from venting.
- Hold the cylinder to prevent the cylinder from turning, unscrew the deflation nipple nested on the side of the bleeder, (do not unscrew it completely, it is enough if you can see the oil) turn the steering wheel clockwise until you see the inside of the exhaust pipe expelled oil is stable and thorough, no bubbles, turn the steering wheel at the same time tighten the deflation nut, close exhaust fittings;
- Continue to turn the steering wheel counter clockwise until the original retraction side of the piston rod fully extended, Fit the exhaust pipe to the retract side of the piston rod to collect the oil from venting.
- Hold the cylinder to prevent the cylinder from turning unscrew the deflation joint nut of one side.(Do not unscrew it completely, it it enough as long as you can see the oil). Turn the steering wheel clockwise until you see the oil from the deflating pipe is stable , no bubbles.tighten the bleeder lock , close deflation devices.
- Rotate the steering wheel clockwise /counter clockwise several times to check the number of full helm turns parameter table) to determine whether the hydraulic fluid in the tubing has been completely excluded. If there is still air, the number of full rudder will increase).if there is still a lot of air that is not excluded, then repeat procedure. If there is a small amount of air, do

full rudder in one direct . reverse small semi circle ,do full rudder again , do this for 5-6 times for the left direction and right direction.

- After around rudder test pass ,remove the fuel pipe and bleed pipe,screw the fuel cap, set the deflated connector sleeve, the unused hydraulic oil is closed for subsequent maintenance and repair.(Check the hydraulic pump oil surface once a quarter , insufficient oil will cause something abnormal.)

FAULTS AND SOLUTIONS:

The following are the most common failures and their causes and solutions.When the rudder rotates with full rudder (cylinder full stroke), there may be slight resistance and internal parts click sound which is from internal valve spool ball and bearing steel ball when they are running. It is normal phenomena. Please do not think it is caused by faults.

FAULT	CAUSE	SOLUTION
The hydraulic rudder is completely stuck during installation.	Pipe blockage between the hydraulic pump and hydraulic cylinder.	Check if the hose pipe is clogged or bent, If it is bent, you must replace the damaged hose, or it may result in the loss of steering and serious personal injury or property damage.
It is difficult to refuel the system, even when the system says the fuel is full, bubbles continue to pop out from the oil pump.	There is air in the system Bleed fitting leaks Hydraulic pipping has winding or bending injuries.	Install the system properly according to the installation manual The inlet pipe must be always upward Tighten the deflation fittings Unwind and straighten the hose or replace the damaged hose.
When using the system to steer, you	Hydraulic pipping has bent injuries There is	Unwind and straighten the hose or replace the damaged

need to rotate the full rudder quickly for many times.	gas or fine bubbles in the hydraulic oil. Incorrect hydraulic oil was used.	hose. Refuel or exhaust properly according to the installation manual Use the correct hydraulic oil.
When the system is full rudder, the steering wheel just doesn't work	There are dirt impurities in the hydraulic pump valve	Do not use the "band" sealing tape at the interface. Take apart the hydraulic pump to clean the dirt.
The system can steer the ship easily when the ship is stationary, However, it is very difficult to steer while sailing.	Small steering wheel was selected. Engine connection is not set correctly, Airbag is generated in the system and air is not excluded completely. System configurations exceed power limits.	Change to a bigger steering wheel of which the maximum diameter is without exceeding 56cm. Adjust the engine connection settings correctly. Check the oil surface of hydraulic pump, reset the refueling and venting correctly.
Steering wheel turns to left port side, Ship turns right	Wrong oil pipe connection	Swap the two oil pipes of the cylinder with each other and install them.
Cylinder can not be installed to the engine.	Each cylinder requires corresponding engine model.	Please refer to the manual or the customer service of the dealer to change the model.

When the rudder pump reaches the stop point cylinder full stroke), a small amount of hydraulic drift is normal and the rudder pump is not 100% locked

MAINTENANCE

WARNING:

Following the routine maintenance schedules as outlined below , in the time frame noted will ensure years of service from your VEVOR Steering system as well as keep you and your passengers safe from the dangers that are present on and off

water.

Failure to comply with maintenance checks may result in loss of steering , causing property damage and/ or personal injury.

Inspections are necessary every year and must be carried out by specialized marine mechanics.

Check the shaft and the o-rings of the cylinder , the o-rings of the helm pump , the fittings of the cylinder and helm pump in order to prevent leaks.

Check tightness of all fasteners/fittings throughout the steering system.

Clean the system using fresh water and non-abrasive liquid .

Cleaning fluids containing ammonia , acids or any other corrosive ingredients must not be used for cleaning any parts of the hydraulic steering system .

DO not use brake oils or automatic transmission fluid (ATE) Use only compatible hydraulic oils.

Prior to every use:

- Check Fluid level in highest helm pump.
- Verify immediate steering response when turning steering wheel(s)(Ensure engine turns when steering wheel is turned) .
- Visually inspect all steering hoses and fittings for wear , kinking and / or leaks.
- Check for binding , loose , worn or leaking steering components .

Warning :

- DO NOT operate boat if any component is not in proper working condition.
- In this case, please take photos immediately and contact your dealer.

After first 20 hours , then every 100 hours or 6 months thereafter (which ever comes first):

- All points noted above
- Check tightness of ALL fasteners/fittings throughout the steering system . Tighten to correct torque specifications are required .
- Check for mechanical play or slop throughout steering system , correct as required.
- Check for signs of corrosion . If corrosion is present contact your dealer.

After every 200 hours or 12 months (which ever

comes first):

- All points noted above.
- Remove support rod from engine steering/tilt tube. Clean engine steering/tilt tube and re-grease using a good quality marine grease
- Grease support rod liberally.
- Grease all contact points shown in the cylinder and tiebar installations. DO NOT remove tiller bolt to re-grease.
- Remove steering wheel and re-grease wheel shaft using a good quality marine grease.
- Inspect hydraulic oil for cleanliness , flush if required.
- Any work being performed with the steering system MUST be completed by a qualified mechanic with the working knowledge of the system.

Manufacturer: Shanghaimuxinmuyeyouxiangongsi

Address: Shuangchenglu 803nong11hao1602A-1609shi, baoshanqu, shanghai 200000 CN.

Imported to AUS: SIHAO PTY LTD. 1 ROKEVA STREET EASTWOOD NSW 2122 Australia

Imported to USA: Sanven Technology Ltd. Suite 250, 9166 Anaheim Place, Rancho Cucamonga, CA 91730



YH CONSULTING LIMITED.
C/O YH Consulting Limited Office 147,
Centurion House, London Road,
Staines-upon-Thames, Surrey, TW18 4AX



E-CrossStu GmbH
Mainzer Landstr.69,
60329 Frankfurt am Main.

VEVOR[®]

TOUGH TOOLS, HALF PRICE

Technical Support and E-Warranty Certificate

www.vevor.com/support

VEVOR®

TOUGH TOOLS, HALF PRICE

Assistance technique et certificat de garantie électronique www.vevor.com/support

DIRECTION HYDRAULIQUE HORS-BORD

SYSTÈME

MODÈLE : NR150/NR300

Nous continuons à nous engager à vous fournir des outils à des prix compétitifs.

« Économisez la moitié », « Moitié prix » ou toute autre expression similaire utilisée par nous ne représente qu'une estimation des économies que vous pourriez réaliser en achetant certains outils chez nous par rapport aux grandes marques et ne couvre pas nécessairement toutes les catégories d'outils que nous proposons.

Nous vous rappelons de bien vouloir vérifier soigneusement lorsque vous passez une commande chez nous si vous économisez réellement la moitié par rapport aux grandes marques.

VEVOR[®]
TOUGH TOOLS, HALF PRICE

HYDRAULIQUE HORS-BORD
SYSTÈME DE DIRECTION

MODÈLE : NR150/NR300



<Photo à titre indicatif seulement>

BESOIN D'AIDE? CONTACTEZ-NOUS!

Vous avez des questions sur nos produits ? Vous avez besoin d'assistance technique ?
N'hésitez pas

à nous contacter : Assistance technique et certificat de garantie
électronique www.vevor.com/support

Il s'agit de la notice d'utilisation d'origine. Veuillez lire attentivement toutes les instructions du manuel avant de l'utiliser. VEVOR se réserve le droit d'interpréter clairement notre manuel d'utilisation. L'apparence du produit dépend du produit que vous avez reçu. Veuillez nous excuser, nous ne vous informerons plus en cas de mise à jour technologique ou logicielle de notre produit.

MESURES DE SÉCURITÉ IMPORTANTES



AVERTISSEMENT : Lisez et comprenez l'intégralité de ce manuel avant d'utiliser ou d'entretenir ce produit. Le non-respect de ces avertissements et les instructions peuvent entraîner des blessures corporelles ou des dommages matériels. propriété.

Précautions de montage

1. Assemblez uniquement selon ces instructions. Un assemblage incorrect peut créer dangers.
2. Gardez la zone de montage propre et bien éclairée.
3. Gardez les spectateurs hors de la zone pendant le montage.
4. Ne vous assemblez pas lorsque vous êtes fatigué ou sous l'influence de l'alcool, de drogues ou médicament.
5. Les capacités du produit s'appliquent uniquement au produit correctement et complètement assemblé.
6. Pour plus d'informations sur les pièces répertoriées dans les pages suivantes, veuillez vous reporter au schéma d'assemblage de ce manuel. Déballez et séparez tous les

Conserver les pièces détachées dans un espace de travail propre. Conserver les petites pièces détachées hors de portée des enfants.

CONSERVEZ CES INSTRUCTIONS

Merci d'avoir acheté le système de direction hydraulique VEVOR.

Ce manuel détaillera les différentes fonctions de ce système afin que vous puissiez pleinement Découvrez le plaisir haut de gamme que ce produit peut vous apporter.

Le système de direction hydraulique VEVOR est basé sur le concept de direction industrielle moderne conception, la technologie de pompe à piston à haute efficacité et à haute puissance de transmission est appliqué à la conception et à la fabrication d'appareils à gouverner pour navires, ce qui rend votre système de direction plus stable, plus intelligent et plus fiable.

Les principaux composants du boîtier de direction sont en alliage d'aluminium à haute résistance et en acier inoxydable qui peuvent être utilisés dans des conditions marines difficiles et prolonger la longévité de l'appareil à gouverner.

Le boîtier de direction vous soulagera des éléments mécaniques lourds et peu flexibles direction par arbre, ce qui peut sauver vos bras endoloris. Cela peut améliorer le plaisir de conduire un hors-bord.

CARACTÉRISTIQUES PRINCIPALES

La pompe de direction est dotée d'une structure interne compacte et à la mode et belle apparence. La

valve de verrouillage intégrée à deux voies élimine le couple de rebond. Facile à remplacer le joint d'arbre, conception conviviale ;

L'arbre de direction avec traitement de surface spécial a non seulement de la résistance et fiabilité, mais présente également les caractéristiques de résistance à l'usure, de résistance à la corrosion.

La coque en alliage d'aluminium à haute résistance et le processus de traitement de surface peuvent garantir sa résistance à l'usure et à la corrosion et empêche efficacement l'érosion par l'eau.

Tuyauterie : Les raccords rapides en nylon haute résistance de 1/4 po facilitent l'installation compact et réutilisable.

L'utilisation d'huile hydraulique personnalisée de haute qualité peut améliorer la lubrification de pièces et protection des joints.



RÈGLES GÉNÉRALES DE SÉCURITÉ ET GARANTIE

Ce manuel d'installation et de maintenance fait partie intégrante du produit et doit être entièrement compris par l'utilisateur avant l'installation.

L'installation, la maintenance et le transfert du système de direction hydraulique composants de la série de produits VEVOR doivent être effectués par des personnes autorisées et techniciens professionnels qualifiés. La série de produits VEVOR met en œuvre la garantie de deux ans de service après-vente, lors de l'utilisation du produit, s'il y a question ou problème, veuillez contacter le revendeur à temps. VEVOR fournira le conseils corrects. VEVOR ne sera pas responsable des conséquences démontage ou désassemblage non autorisé.

Sans préjudice de la nature du produit, VEVOR a le droit de faire modifications des informations descriptives et des illustrations contenues dans ce manuel VEVOR , n'assume aucune responsabilité pour les conséquences néfastes causées

en copiant ce manuel par tout autre moyen illégal qui empêche l'utilisateur de suivre les instructions d'installation standard.

PRÉCAUTIONS D'INSTALLATION

Utilisez uniquement les composants fournis par VEVOR. Les pièces fournies par l'autre fabrique

peut entraîner des risques pour la sécurité et affecter la fonction de direction ;

Sur tous les filetages de raccordement de tuyaux, utilisez uniquement des joints tels que Loctite PST ou équivalent. Il faut utiliser un produit d'étanchéité. N'utilisez pas de bandes d'étanchéité (banding) ou de bandes d'étanchéité similaires, car cela pourrait permettre aux débris de pénétrer dans le corps de la pompe et de provoquer le blocage du tuyau.

Veillez utiliser de l'huile hydraulique spéciale 10 # ou 15 # qui est qualifiée et respectueux de l'environnement. L'utilisation d'une autre huile (comme l'huile de frein) peut entraîner des dommages irréparables à votre équipement, entraînant la perte de la fonction de direction et garantie.

Le rayon de courbure minimum du tuyau est de 1 "18 (30CM). Ne touchez pas les objets tranchants. Le fait de continuer à plier, frotter, gratter ou tordre peut provoquer le tuyau peut être endommagé et rompu en raison de la pression de direction normale, provoquant ainsi la perte de la fonction de direction.

Ne laissez pas le tuyau tomber librement lors de l'utilisation, veuillez utiliser du fil ou un autre PVC matériel à fixer, afin d'éviter tout risque potentiel pour la sécurité.

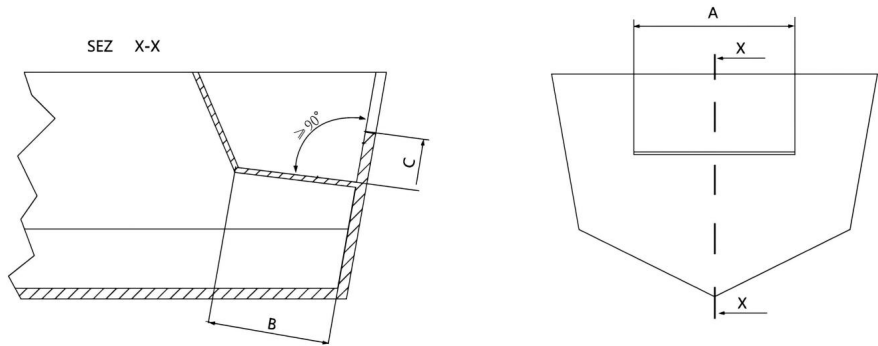
Entretien régulier des composants du système et inspection des canalisations et raccords usés ou endommagés peuvent prolonger la durée de vie de votre équipement.

INFORMATIONS TECHNIQUES

TAPER	150 CV	300 CV-A
POMPE	NR150	NR300
DIAMÈTRE INTÉRIEUR DU TUBE (mm)	30	35
DIAMÈTRE INTÉRIEUR DE LA TIGE (mm)	16	18
Course [mm]	200	210
PRESSION MAXIMALE (bar)	103	69
APPLIQUER HON	Jusqu'à 150 CV	Jusqu'à 300 CV

DIMENSIONS MINIMALES DU PUIT ANTI-ÉCLABOUSSURES

Avant de tenter l'installation, assurez-vous que le puits anti-éclaboussures de votre bateau a la dimensions minimales suivantes.

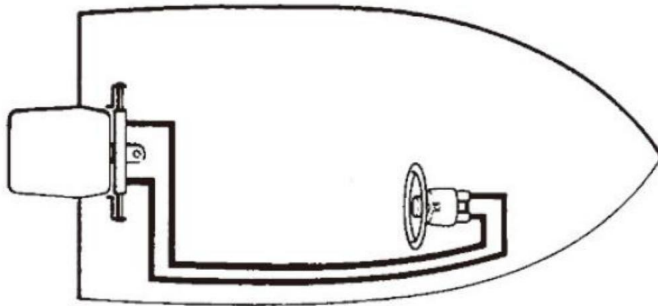


DIMENSIONS MINIMALES DES ÉCLABOUSSURES

Nombre de moteurs	Un (mm)	B(mm)	C(mm)
1	560	152	152
2	1110	152	152

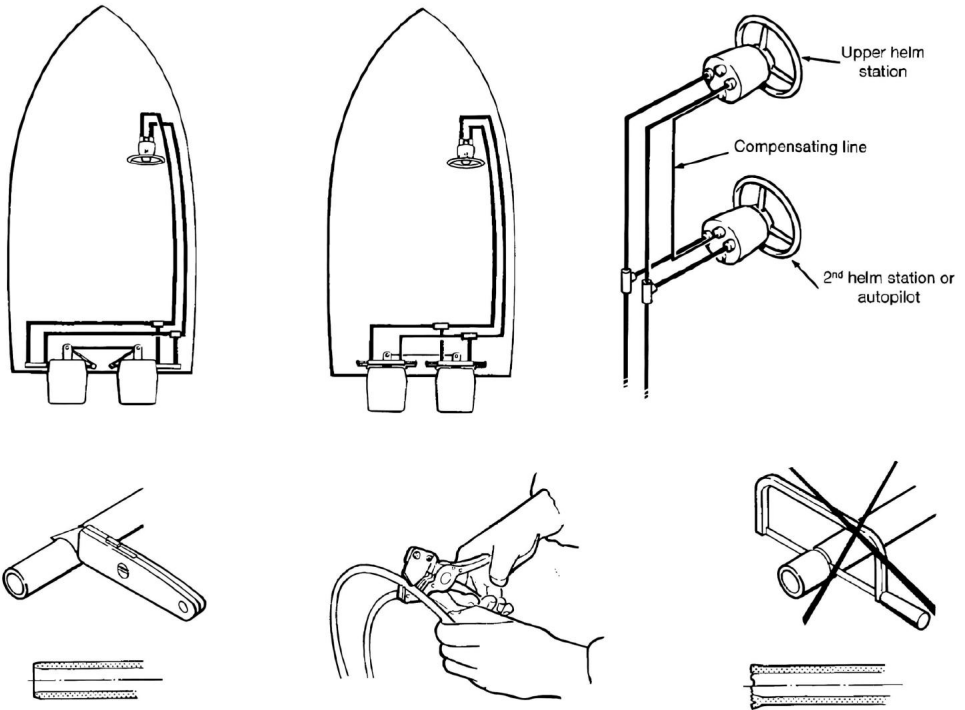
INSTALLATION DE TUYAUX / RACCORDS - POMPE CONNEXION

Reportez-vous aux illustrations ci-dessous pour la connexion correcte des tuyaux de la pompe à gouvernail à cylindre.



Pour NR150/NR300

Raccord de tuyau



Nous recommandons l'utilisation de flexibles de direction VEVOR uniquement.

Essayez toujours de faire passer les tuyaux par le chemin le plus court afin d'éviter tout risque éventuel. perte de puissance. Afin de faciliter la purge d'air du système, il est

il est suggéré de monter les tuyaux horizontalement avec une inclinaison d'environ 3 cm par mètre; le côté pompe doit être plus haut que le côté cylindre.

Protégez toujours les tuyaux qui doivent passer par un compartiment différent ou utiliser des connecteurs de cloison ou des manchons appropriés.

Les tuyaux doivent être installés de manière à ne pas constituer un obstacle pour les autres composants.

Ne retirez pas les couvercles de protection tant que les tuyaux n'ont pas été acheminés et ne sont pas prêt à être raccordé à la pompe de direction, au raccord de tuyau ou au(x) vérin(s) de direction.

Prévoir des longueurs de tuyau suffisantes pour permettre le mouvement du cylindre dans tout le arc de braquage et réglages de trim/inclinaison haut/bas du/des moteur(s).

Tout au long de l'installation du tuyau, assurez-vous que les capuchons de protection restent installés sur la fin des tuyaux.

Attention:

N'installez pas les tuyaux dans une zone où ils seront exposés à une chaleur élevée, à des températures extrêmes.

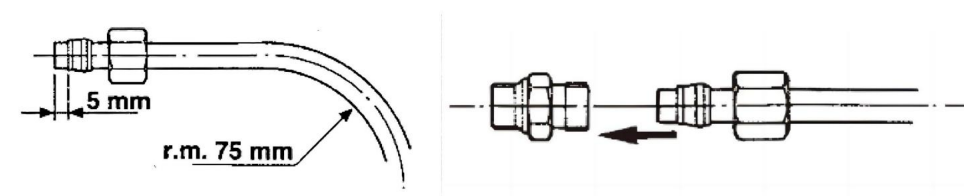
La chaleur réduit la pression d'éclatement du tuyau et peut provoquer la fonte du tuyau. Faites preuve d'une grande propreté. Assurez-vous que les tuyaux et les flexibles sont parfaitement propres et exempt de copeaux.

Note:

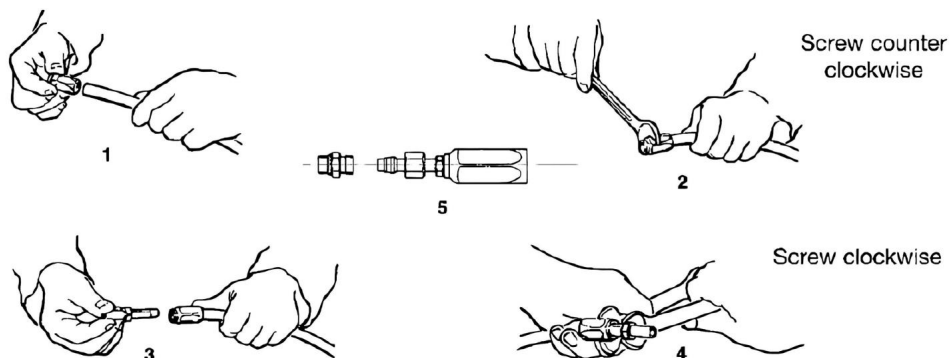
Les tuyaux flexibles doivent être coupés à l'aide d'un couteau bien aiguisé ; n'utilisez jamais de scie, car Des fragments de nylon dans le système hydraulique causent de graves problèmes

INSTALLATION DE TUYAUX HYDRAULIQUES

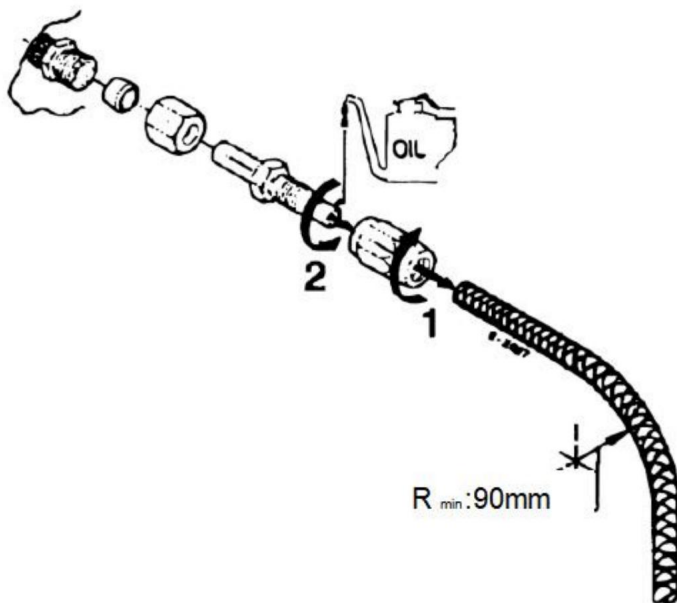
Après avoir coupé le tuyau en nylon, installez l'écrou de couplage et le manchon de support sur le tuyau (vérifier qu'il est bien en place par rapport à l'extrémité du tuyau). Après le montage de l'écrou, il faut le serrer à l'aide d'une clé.



Sinon, vous pouvez monter un tuyau flexible avec des raccords recyclables. Faites comme les illustrations ci-dessous montrent.



Après l'installation, nettoyez l'intérieur des tuyaux en soufflant à l'aide d'air comprimé, afin d'éviter toute obstruction et d'éliminer la poussière et les débris du stockage. Avant la purge d'air, il est également suggéré de faire un rinçage de la système. Ne pas utiliser d'eau.

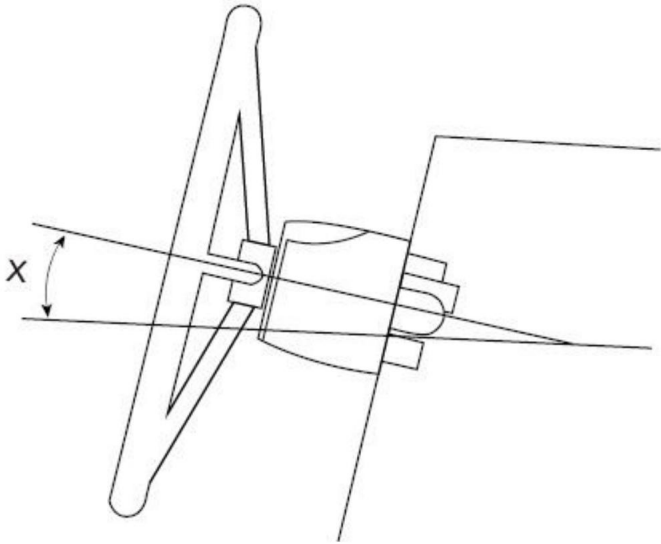


1. Après la coupe, vissez le manchon de raccordement du tube sur le tube (à gauche. fil).
2. Huilez le raccord du tube et vissez-le dans le manchon. Assurez-vous que le raccord interne la gaine du tube ne doit pas être respectée lors du serrage de la vis ! Assurez-vous également que la gaine interne du tube ne soit pas comprimée lors du serrage de la vis.
3. Vérifiez qu'il n'y a pas d'interférence interne en insérant un petit tournevis dans le tube raccord avant de procéder à l'installation du tuyau sur le gouvernail ou le vérin.

SYSTÈME DE DIRECTION HYDRAULIQUE NR150/ INSTALLATION DU NR300

Outils d'installation (Pour terminer l'installation de ce système, vous avez besoin du outils suivants) :

Foret de 9 mm	Clé d'installation E.17 mm
Clé de montage B.30 mm	Clé d'installation F.12mm
Clé d'installation de 11 mm	Clé à douille G.24 mm
Clé d'installation D.19mm	



Important:

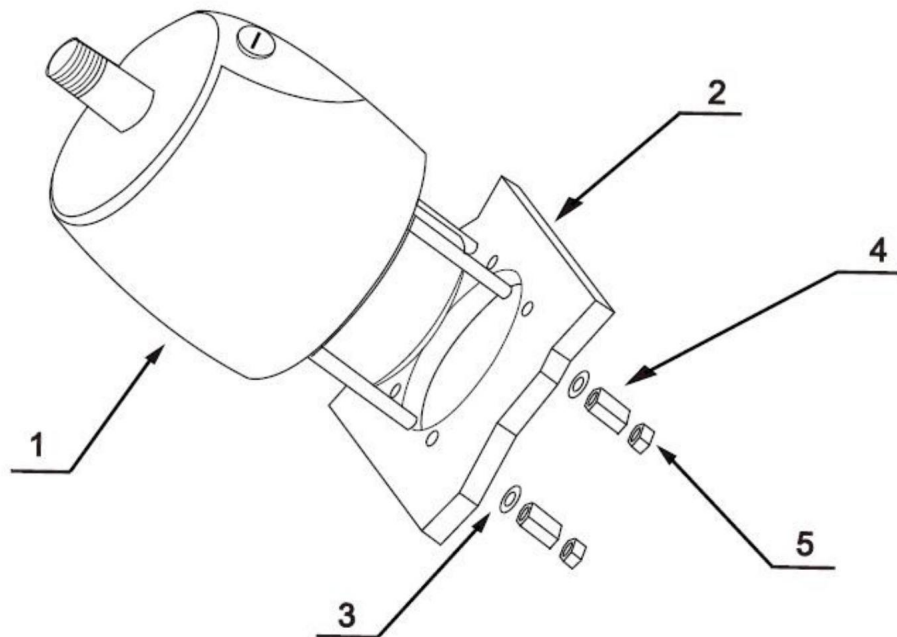
effectuer la procédure de purge manuellement et avec la pompe à gouvernail inclinée pas plus de 20 degrés (X).

Pompe de direction NR300 Installation :

Déterminez l'angle et la position que vous installez pour vous assurer que la direction la roue n'interfère pas avec d'autres équipements. Vérifiez qu'il y a toujours suffisamment de espace derrière le tableau de bord du pont (2) pour les raccordements de montage et de tuyauterie.

Si aucun trou d'installation n'a été ouvert dans le tableau de bord, reportez-vous au perçage gabarit dans la pièce jointe et ouvrir les trous dans les positions appropriées.

RIF.	DESCRIPTION	Qté
1	Pompe	1
2	Conseil	1
3	Cale	4
4	Écrou serre-câble	4
5	Contre-écrou	4



Fixez un gabarit de montage de trou d'accès 1: 1 (inclus avec ce manuel) au tableau de bord et positionnez le trou de montage comme d'habitude avec un coupe-trou.

Percez un trou de 77 mm de diamètre et percez quatre trous de 9 mm de diamètre comme indiqué sur la gabarit de montage.

Faites passer le tube disposé à travers le trou central de 77 mm de diamètre et connectez-le à la pompe de direction (1).

Installer la pompe de direction sur le tableau de bord avec 4 rondelles (3) et 4 écrous serre-câbles (4), 4 contre-écrous (5), couple de serrage ≤ 15 N.

Lubrifiez la partie conique de l'arbre. Installez la clavette semi-circulaire. Placez la volant dans l'arbre de direction et la clavette du volant sur le clé semi-circulaire. Placez la cale et serrez l'écrou de blocage de direction, le serrage le couple est ≤ 20 N.

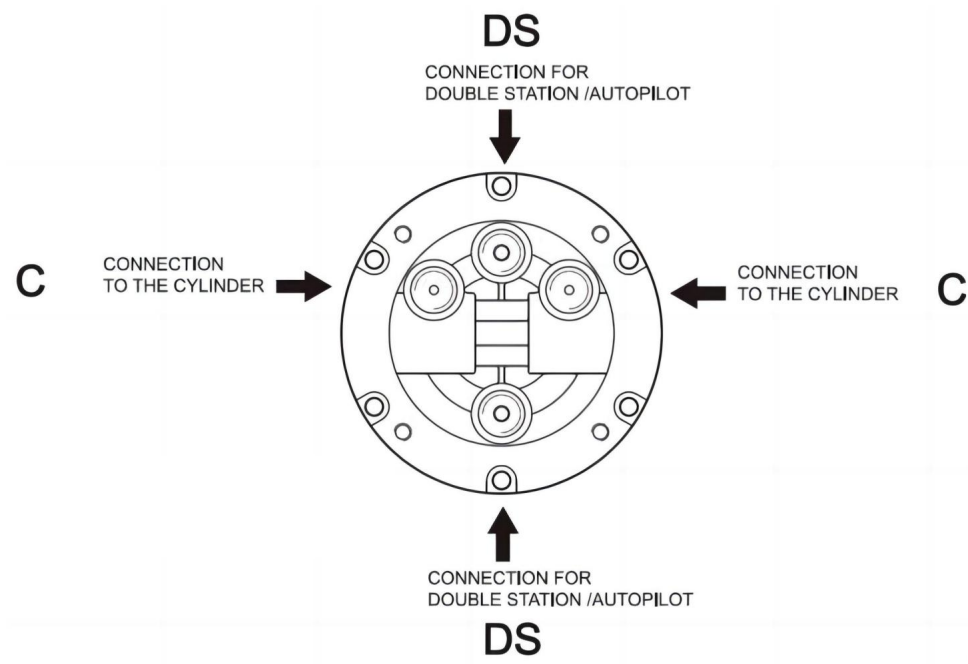
Note:

La pompe de direction doit être montée à un angle d'inclinaison de X 20 degrés. Si c'est le cas dépassé. Cela peut provoquer une entrée d'air dans le conduit et affecter la fonction de direction.

Utilisez uniquement des fixations autobloquantes fournies par VEVOR ou des fixations standard. L'utilisation de fixations non autobloquantes peut entraîner le desserrage ou la séparation de l'équipement.

N'ouvrez pas le couvercle de la pompe ou le bouchon de remplissage lors de l'installation de la pompe de direction pour éviter que la saleté et les copeaux ne pénètrent dans la pompe et ne perturbent la fonction de direction.

Les joints en ruban de type Téflon ne peuvent pas être utilisés sur les mamelons de tuyaux, ce qui peut entraîner la pénétration de copeaux de ruban dans le corps de la pompe et ainsi affecter la fonction de direction. (La série VEVOR est une technologie d'étanchéité de filetage de tuyau qui ne nécessite pas l'utilisation d'autres joints en ruban d'étanchéité.)



CONNEXION DES PORTS DE VANNE :

Port marqué « C » pour les connexions au(x) cylindre(s)

Port marqué « DS » connexions à la station supplémentaire ou au pilote automatique

INSTALLATION DU CYLINDRE 300HP

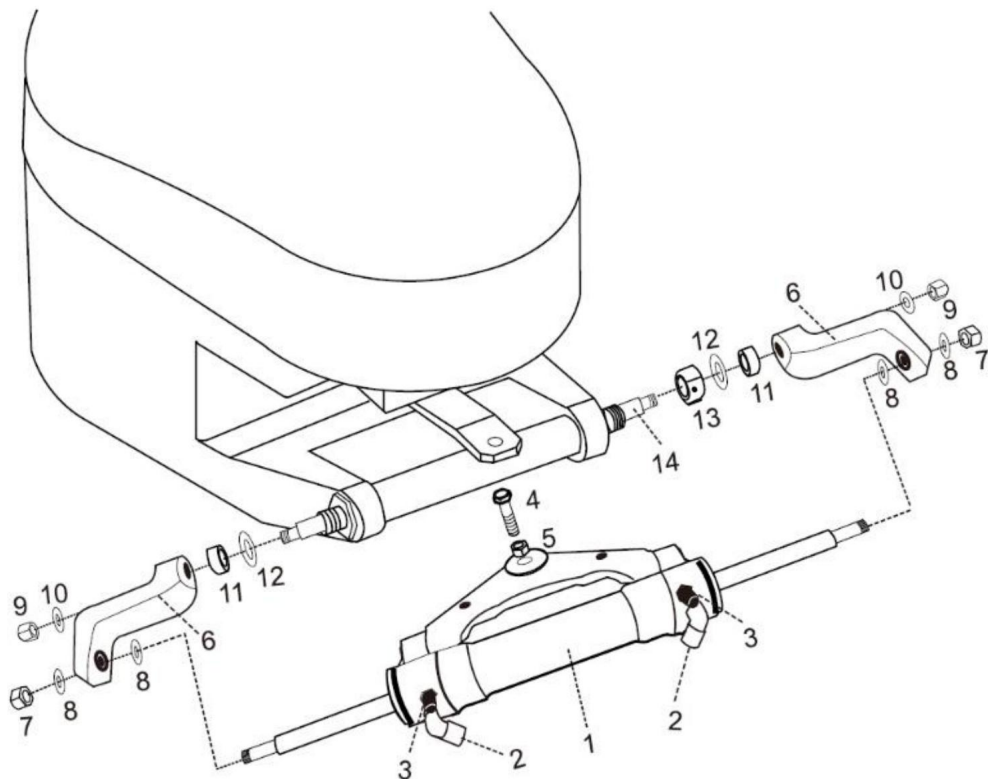
⚠ AVERTISSEMENT:

Il est important de vérifier périodiquement, au moins tous les 3 mois (ou tous les mois pour usages professionnels), le couple de serrage correct de ce boulon et du contre-écrou.

Le bras du cylindre doit être fixé au bras du timon du moteur sur la plupart des marques de hors-bord. Dans le cas où la barre interfère avec d'autres pièces du hors-bord, il peut être monté sous le timon à la place.

⚠ AVERTISSEMENT:

Retirez les capuchons rouges afin d'installer les raccords du tuyau.



RIF.	DESCRIPTION	QTÉ	RIF.	DESCRIPTION	Qté
1	Cylindre	1	8	Joint de support	4
2	Raccord de tuyau	2	9	Tige de montage écrou autobloquant	2
3	Connecteur d'aération	2	10	Rondelle d'écrou autobloquante 2	
4	Boulon de connexion 3/8-24	1	11	Joint en acier inoxydable	2

5	Contre-écrou 3/8-24	1	12	Tampon de réglage de l'écartement	2
6	Support de cylindre	2	13	Écrou de réglage de l'écartement	1
7	Écrou autobloquant de tige de piston 2		14	Tige de montage	1

Avant d'essayer l'installation, veuillez vérifier si votre moteur est adapté à ce type de cylindre, et assurez-vous que l'espace de votre panneau arrière est de taille suffisante pour l'installation.

Avant l'installation, veuillez lubrifier les pièces de connexion mobiles du moteur et le cylindre et la tige de piston avec un lubrifiant marin qualifié, et redresser votre moteur en position médiane ;

Desserrez les écrous autobloquants (7) (9) aux deux extrémités de la tige de piston du vérin et la tige de montage et retirez la tige de montage (14), la rondelle en acier inoxydable (12), le bloc de réglage du jeu (11) l'écrou de réglage du jeu (13), après avoir retiré le accessoires, installez la tige de montage (14) dans le trou de montage du moteur (comme (illustré ci-dessus) ;

Retirez le boulon (4) dans le trou central du support de la plaque triangulaire du cylindre, ajustez l'angle du moteur, correspondez au trou sur la connexion du moteur plaque, utilisez des boulons (4) et des écrous (5) pour fixer la plaque triangulaire du cylindre au moteur. attention au balancement gauche et droit de la machine pour s'assurer que le cylindre ne pas gêner le mouvement du moteur après l'installation.

Réglez l'angle du moteur et la longueur d'extension de la tige de piston du cylindre. Installez les deux supports de cylindre (6), l'écrou de réglage de l'écartement (13), le joint en acier inoxydable (12) et le bloc de réglage de l'écartement (11) sur la tige de piston et la tige de montage correctement en fonction de l'écart entre le moteur et le cylindre. (Voir photo ci-dessus)

Une fois l'installation terminée, l'écrou de réglage de l'écartement (13) doit être tourné vers la gauche et verrouillé pour éliminer l'espace de fonctionnement du cylindre. Faire cela améliorera votre expérience d'utilisation.

Une fois l'installation terminée, poussez votre moteur vers la gauche et la droite pour faire un essai de fonctionnement du cylindre. Vérifiez s'il y a des pièces d'interférence lors du Le cylindre tourne d'avant en arrière. S'il y a une interférence, vous devez réajuster le installation. S'il n'y a pas d'interférence, poussez le moteur jusqu'à l'extrémité gauche/droite limite. L'étape suivante consiste à faire le plein et à épuiser ;



AVERTISSEMENT:

Lors de l'installation, pour éviter de heurter la tige de piston, il est interdit de frapper la tige de piston avec une clé ou quoi que ce soit de dur. Si la tige de piston est meurtrie, cela provoquera une fuite d'huile hydraulique du cylindre d'huile, ce qui compromettra votre expérience produit.

Direction hydraulique du système d'échappement des gaz :

Cette procédure de travail nécessite deux personnes pour fonctionner. Une personne peut ne pas être en mesure d'éliminer complètement tout l'air à l'intérieur du système hydraulique, ce qui entraîne une pression de sortie du système hydraulique insuffisante, l'impact de la faiblesse, la faiblesse, la réponse lente, affectant ainsi votre expérience produit.

Veuillez utiliser une huile hydraulique spéciale respectueuse de l'environnement ou une autre huile hydraulique spéciale qualifiée pour le ravitaillement. N'utilisez pas d'huile de frein. L'utilisation d'une autre huile corrosive inacceptable peut causer des dommages irréparables à votre système et entraîner l'impossibilité de garantir le produit.

PRÉCAUTIONS:

Si vous remplissez la pompe avec du liquide hydraulique avant de connecter le tube de remplissage à la pompe, la procédure de remplissage peut être effectuée plus rapidement et plus facilement.

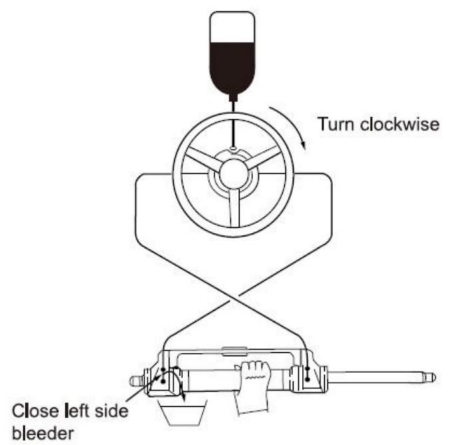
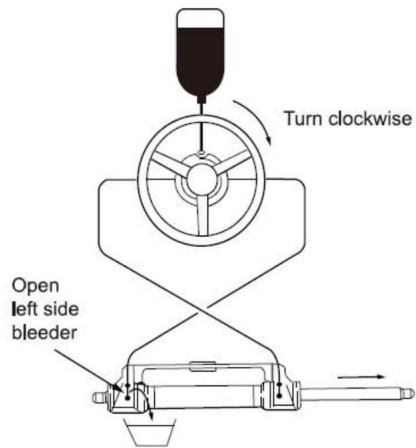
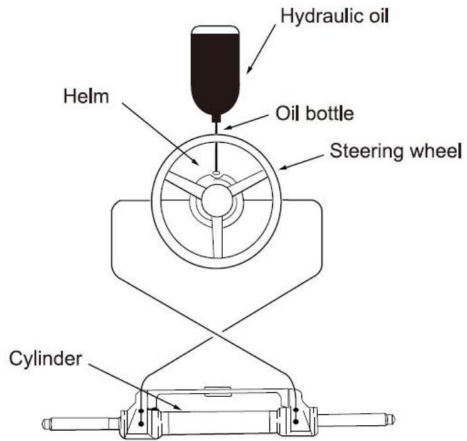
En cas d'urgence, toute huile non toxique, non corrosive et non inflammable peut être temporairement fournie au système, mais l'ensemble du système doit ensuite être soigneusement nettoyé :Veuillez garder le tube de ravitaillement visible pendant tout le processus de ravitaillement. Ne laissez pas l'huile pénétrer dans la pompe. Sinon, de l'air peut être introduit pour augmenter le temps de ravitaillement.Pendant le processus de ravitaillement et d'évacuation, l'huile hydraulique recueillie dans le collecteur de purge d'air du vérin peut être utilisée directement après quelques instants.Veuillez protéger l'environnement et éliminer correctement l'huile usagée. L'huile hydraulique spéciale fournie par le système VEVOR peut être réutilisée après avoir été filtrée par le filtre avec le diamètre du trou inférieur ou égal à 38 um.

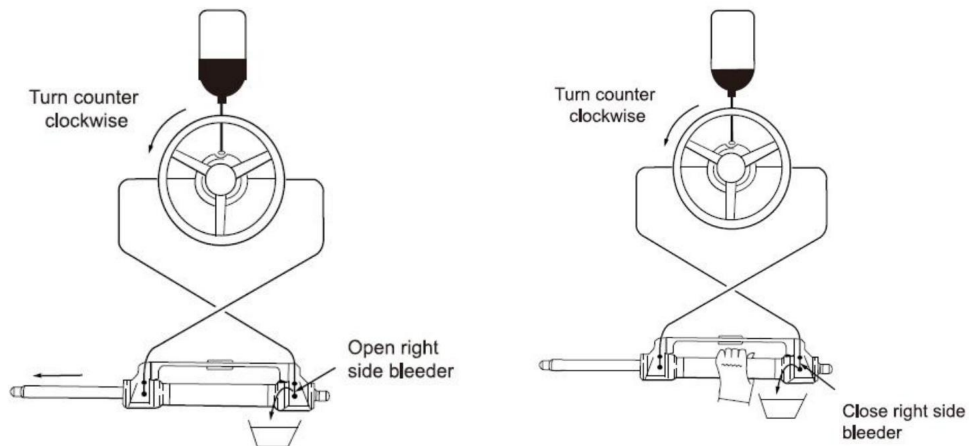
ÉTAPES DE REMPLISSAGE ET DE PURGE

Vissez le filetage du tuyau de remplissage équipé du système dans l'orifice de la pompe de ravitaillement et serrez pour confirmer l'étanchéité.

Montez le support pointu fourni avec ce système sur le bouchon de la bouteille d'huile. Insérez la bouche pointue dans la pompe avec une certaine force, versez l'huile dans le tuyau de remplissage de carburant jusqu'à ce que vous ne puissiez plus voir l'air (la bouteille peut être pressée doucement pour

accélérer le remplissage.)





Tournez lentement le volant dans le sens des aiguilles d'une montre jusqu'à ce qu'un côté de la tige de piston est complètement étendu. Montez le tuyau d'échappement sur le côté rétracté de la tige de piston pour recueillir l'huile de l'évacuation.

Tenez le cylindre pour empêcher le cylindre de tourner, dévissez le mamelon de dégonflage imbriqué sur le côté du purgeur, (ne pas le dévisser complètement, il suffit de voir l'huile) tourner le volant

dans le sens des aiguilles d'une montre jusqu'à ce que vous voyiez que l'intérieur du tuyau d'échappement expulsé l'huile est stable et minutieux, pas de bulles, tourner le volant en même temps serrer l'écrou de dégonflage, fermez les raccords d'échappement ;

Continuez à tourner le volant dans le sens inverse des aiguilles d'une montre jusqu'à ce que l'original côté rétraction de la tige de piston complètement étendue, installez le tuyau d'échappement sur le rétractez le côté de la tige de piston pour recueillir l'huile provenant de l'évacuation. Tenez le cylindre pour empêcher le cylindre de tourner, dévissez le écrou de joint de dégonflage d'un côté. (Ne le dévissez pas complètement, il suffit tant que vous pouvez voir l'huile). Tournez le volant dans le sens des aiguilles d'une montre jusqu'à ce que vous voir l'huile du tuyau de dégonflage est stable , pas de bulles. serrer le purgeur , fermer les dispositifs de dégonflage.

Tournez le volant dans le sens des aiguilles d'une montre/dans le sens inverse des aiguilles d'une montre plusieurs fois pour vérifiez le tableau des paramètres du nombre de tours complets de barre) pour déterminer si le liquide hydraulique dans le tube a été complètement exclu. S'il y a air calme, le nombre de gouvernails complets augmentera). s'il y a encore beaucoup d'air qui n'est pas exclu, répétez la procédure. S'il y a une petite quantité d'air, ne

gouvernail complet en une seule fois. inversez le petit demi-cercle, faites à nouveau le gouvernail complet, faites ceci 5 à 6 fois pour la direction gauche et la direction droite.

Après avoir réussi le test du gouvernail autour, retirez le tuyau de carburant et le tuyau de purge, vissez le bouchon du carburant, placez le manchon du connecteur dégonflé, l'huile hydraulique non utilisée est fermée pour l'entretien et la réparation ultérieurs. (Vérifiez la surface de l'huile de la pompe hydraulique une fois par trimestre, une huile insuffisante provoquera quelque chose d'anormal.)

DÉFAUTS ET SOLUTIONS :

Voici les pannes les plus courantes, leurs causes et leurs solutions. Lorsque le gouvernail tourne à pleine vitesse (course complète du vérin), il peut y avoir une légère résistance et un bruit de cliquetis des pièces internes provenant de la bille de la bobine de soupape interne et de la bille d'acier du roulement lorsqu'elles fonctionnent. C'est un phénomène normal. Veuillez ne pas penser que cela est dû à des défauts.

FAUTE	CAUSE	SOLUTION
Le gouvernail hydraulique est complètement bloqué lors de l'installation.	Obstruction du tuyau entre la pompe hydraulique et le vérin hydraulique.	Vérifiez si le tuyau flexible est obstrué ou plié. S'il est plié, vous devez remplacer le tuyau endommagé, sinon cela peut entraîner une perte de direction et des blessures corporelles graves ou des dommages matériels.
Il est difficile de faire le plein le système, même lorsque le système indique que le carburant est plein, les bulles continuent à sortir de l'huile pompe.	Il y a de l'air dans le système Fuites au niveau du raccord de purge La tuyauterie hydraulique présente des blessures dues à l'enroulement ou à la flexion.	Installer le système correctement conformément au manuel d'installation. Le tuyau d'admission doit toujours être vers le haut. Serrer les raccords de dégonflage. Dérouler et redresser le tuyau ou remplacer le tuyau endommagé.
Lorsque vous utilisez le système pour diriger, vous	Les conduites hydrauliques présentent des blessures pliées.	Déroulez et redressez le tuyau ou remplacez le tuyau endommagé

il faut faire tourner le tout gouvernail rapidement pour plusieurs fois.	gaz ou fines bulles dans l'huile hydraulique. Huile hydraulique incorrecte a été utilisé.	tuyau. Faire le plein ou vidanger correctement selon l'installation manuel Utilisez l'huile hydraulique appropriée.
Lorsque le système est gouvernail complet, le volant juste ne fonctionne pas	Il y a de la saleté impuretés dans le vanne de pompe hydraulique	N'utilisez pas le joint « bande » bande à l'interface. Démonter la pompe hydraulique pour nettoyer la saleté.
Le système peut diriger le navire facilement lorsque le navire est stationnaire, Cependant, c'est très difficile à diriger pendant voile.	Petit volant a été sélectionné. La connexion du moteur est pas réglé correctement, L'airbag est généré dans le système et l'air sont non exclu complètement. Configurations système dépasser les limites de puissance.	Passer à un volant plus gros roue dont le maximum le diamètre est sans dépasser 56cm. Régler la connexion du moteur paramètres correctement. Vérifiez la surface de l'huile de pompe hydraulique, réinitialiser la faire le plein et purger correctement.
Le volant tourne à bâbord gauche, Le navire tourne à droite	Mauvais tuyau d'huile connexion	Échangez les deux tuyaux d'huile du cylindre les uns avec les autres et installez-les.
Le cylindre ne peut pas être installé sur le moteur.	Chaque cylindre nécessite moteur correspondant modèle.	Veillez vous référer au manuel ou le service client de la concessionnaire pour changer le modèle.

Lorsque la pompe de gouvernail atteint le point d'arrêt (course complète du vérin), une petite quantité de la dérive hydraulique est normale et la pompe de gouvernail n'est pas verrouillée à 100 %

ENTRETIEN

AVERTISSEMENT:

Le respect des programmes d'entretien de routine décrits ci-dessous garantira des , dans le laps de temps années de service de votre système de direction VEVOR ainsi que vous protéger, vous et vos passagers, des dangers présents à bord et en dehors

eau.

Le non-respect des contrôles d'entretien peut entraîner une perte de direction, provoquant des dommages matériels et/ou corporels.

Des inspections sont nécessaires chaque année et doivent être effectuées par des spécialistes. mécanique marine.

Vérifiez l'arbre et les joints toriques du cylindre, les joints toriques de la pompe à huile, raccords du vérin et de la pompe à huile afin d'éviter les fuites.

Vérifiez le serrage de toutes les fixations/raccords dans l'ensemble du système de direction.

Nettoyez le système à l'aide d'eau douce et d'un liquide non abrasif.

Les liquides de nettoyage contenant de _____, les acides ou tout autre ingrédient corrosif doivent l'ammoniac ne doivent pas être utilisés pour nettoyer les pièces du système de direction hydraulique.

N'utilisez pas d'huiles de frein ou de liquide de transmission automatique (ATE). Utilisez uniquement des produits compatibles. huiles hydrauliques.

Avant chaque utilisation :

Vérifiez le niveau de liquide dans la pompe à huile la plus haute.

Vérifiez la réponse immédiate de la direction lorsque vous tournez le(s) volant(s) (assurez-vous le moteur tourne quand on tourne le volant).

Inspectez visuellement tous les flexibles et raccords de direction pour détecter toute trace d'usure, de pliure et/ou de fuite.

Vérifiez la reliure, le desserrage _____, composants de direction usés ou présentant des fuites.

Avertissement :

NE PAS utiliser le bateau si l'un des composants n'est pas en bon état de fonctionnement.

Dans ce cas, prenez immédiatement des photos et contactez votre revendeur.

Après les 20 premières _____, puis toutes les 100 heures ou 6 mois heures (selon la première éventualité) :

Tous les points mentionnés ci-dessus

Vérifiez le serrage de TOUTES les fixations/raccords dans l'ensemble du système de direction.

Serrer selon les spécifications de couple correctes requises.

Vérifiez le jeu mécanique ou le jeu dans tout le système de direction, corrigez-le si nécessaire. requis.

Vérifiez les signes de corrosion. Si de la corrosion est présente, contactez votre revendeur.

Toutes les 200 heures ou 12 mois (selon la période)

vient en premier):

Tous les points mentionnés ci-dessus.

Retirez la tige de support du tube de direction/d'inclinaison du moteur. Nettoyez le tube de direction/d'inclinaison du moteur.

tube et regraisser en utilisant une graisse marine de bonne qualité

Graisser généreusement la tige de support.

Graisser tous les points de contact indiqués dans les installations du cylindre et de la barre de liaison.

NE PAS retirer le boulon du timon pour le regraisser.

Retirez le volant et regraissez l'arbre du volant à l'aide d'un lubrifiant marin de bonne qualité.

graisse.

Inspecter la propreté de l'huile hydraulique , rincer si nécessaire.

Tout travail effectué sur le système de direction DOIT être effectué par un

mécanicien qualifié avec une connaissance pratique du système.

Fabricant : Shanghaimuxinmuyeyouxiangongsi

Adresse : Shuangchenglu 803nong11hao1602A-1609shi, baoshanqu, shanghai
200000 CN.

Importé en Australie : SIHAO PTY LTD. 1 ROKEVA STREETEASTWOOD
NSW 2122 Australie

Importé aux États-Unis : Sanven Technology Ltd. Suite 250, 9166 Anaheim
Lieu, Rancho Cucamonga, CA 91730



YH CONSULTING LIMITÉE.

C/O YH Consulting Limited Bureau 147,
Maison du Centurion, route de Londres,
Staines-upon-Thames, Surrey, TW18 4AX



E-CrossStu GmbH

Mainzer Landstr.69,
60329 Francfort-sur-le-Main.

VEVOR[®]

TOUGH TOOLS, HALF PRICE

Assistance technique et certificat de garantie
électronique www.vevor.com/support

VEVOR[®]

TOUGH TOOLS, HALF PRICE

Technischer Support und E-Garantie-Zertifikat www.vevor.com/support

HYDRAULISCHE AUSSENBOARDLENKUNG SYSTEM

MODELL: NR150/NR300

Wir sind weiterhin bestrebt, Ihnen Werkzeuge zu wettbewerbsfähigen Preisen anzubieten. „Sparen Sie die Hälfte“, „Halber Preis“ oder andere ähnliche Ausdrücke, die wir verwenden, stellen nur eine Schätzung der Ersparnis dar, die Sie beim Kauf bestimmter Werkzeuge bei uns im Vergleich zu den großen Topmarken erzielen können, und decken nicht unbedingt alle von uns angebotenen Werkzeugkategorien ab. Wir möchten Sie freundlich daran erinnern, bei Ihrer Bestellung bei uns sorgfältig zu prüfen, ob Sie im Vergleich zu den großen Topmarken tatsächlich die Hälfte sparen.

VEVOR[®]
TOUGH TOOLS, HALF PRICE

**AUSSENBORDHYDRAULIK
LENKSYSTEM**

MODELL: NR150/NR300



<Bild nur als Referenz>

Brauchen Sie Hilfe? Kontaktieren Sie uns!

Haben Sie Fragen zum Produkt? Benötigen Sie technischen Support? Bitte kontaktieren Sie uns:

Technischer Support und E-Garantie-Zertifikat www.vevor.com/support

Dies ist die Originalanleitung. Bitte lesen Sie alle Anweisungen sorgfältig durch, bevor Sie das Gerät in Betrieb nehmen. VEVOR behält sich eine klare Auslegung unserer Bedienungsanleitung vor. Das Erscheinungsbild des Produkts richtet sich nach dem Produkt, das Sie erhalten haben. Bitte verzeihen Sie uns, dass wir Sie nicht erneut informieren, wenn es Technologie- oder Software-Updates für unser Produkt gibt.

WICHTIGE SICHERHEITSHINWEISE



WARNUNG: Lesen Sie das gesamte Handbuch sorgfältig durch, bevor Sie Betrieb oder Wartung dieses Produkts. Die Nichtbeachtung dieser Warnungen und Anweisungen können zu Verletzungen oder zur Beschädigung wertvoller Eigentum.

Vorsichtsmaßnahmen bei der Montage

1. Die Montage muss gemäß dieser Anleitung erfolgen. Eine unsachgemäße Montage kann Gefahren.
2. Halten Sie den Versammlungsbereich sauber und gut beleuchtet.
3. Halten Sie während der Montage unbeteiligte Zuschauer vom Bereich fern.
4. Montieren Sie nicht, wenn Sie müde sind oder unter dem Einfluss von Alkohol, Drogen oder Medikamente.
5. Die Produktfunktionen gelten nur für ordnungsgemäß und vollständig montierte Produkte.
6. Weitere Informationen zu den auf den folgenden Seiten aufgeführten Teilen finden Sie im Montagediagramm dieses Handbuchs. Packen Sie alle Ersatzteile in einem sauberen Arbeitsbereich. Bewahren Sie kleine Ersatzteile außerhalb der Reichweite von Kindern auf.

BEWAHREN SIE DIESE ANWEISUNGEN AUF

Vielen Dank für den Kauf des hydraulischen Lenksystems von VEVOR.

In diesem Handbuch werden die verschiedenen Funktionen dieses Systems erläutert, so dass Sie vollständig Erleben Sie den Premium-Genuss, den Ihnen dieses Produkt bereiten kann.

• Das hydraulische Lenksystem von VEVOR basiert auf dem Konzept der modernen industriellen Die hocheffiziente Kolbenpumpentechnologie mit hoher Übertragungsleistung ist auf die Konstruktion und Fertigung von Schiffssteueranlagen angewendet, was Ihre Lenksystem stabiler, intelligenter und zuverlässiger.

• Die Hauptkomponenten des Lenkgetriebes bestehen aus hochfester Aluminiumlegierung und Edelstahl, der in rauen Meeresbedingungen eingesetzt werden kann und die Langlebigkeit des Lenkgetriebes.

• Das Lenkgetriebe entlastet Sie von der schweren und unflexiblen Mechanik Wellenlenkung, die Ihre schmerzenden Arme schonen kann. Es kann das Vergnügen steigern ein Schnellboot fahren.

HAUPTMERKMALE

• Die Lenkpumpe ist mit kompakter Innenstruktur und dem modischen und schönen Aussehen.

Eingebautes Zweibege-Sperrventil eliminiert das Rückpralldrehmoment. • Einfacher Austausch der Wellendichtung, benutzerfreundliches Design;

• Lenkwelle mit spezieller Oberflächenbehandlung hat nicht nur Stärke und Zuverlässigkeit, sondern hat auch die Eigenschaften der Verschleißfestigkeit, Korrosionsbeständigkeit. • Hochfeste Aluminiumlegierung Schale und Oberflächenbehandlungsprozess können gewährleisten seine Verschleiß- und Korrosionsbeständigkeit und verhindern wirksam Wassererosion. • Rohrleitungen: Hochfeste Nylon-Schnellkupplungen mit 1/4 Zoll Durchmesser machen die Installation kompakt und wiederverwendbar. •

Die Verwendung von kundenspezifischem Hydrauliköl hoher Qualität kann die Schmierung verbessern Teile- und Dichtungsschutz.



ALLGEMEINE SICHERHEITSVORSCHRIFTEN UND GARANTIE

Diese Installations- und Wartungsanleitung ist integraler Bestandteil des Produkts und muss vom Benutzer vor der Installation vollständig verstanden werden.

Die Installation, Wartung und Übertragung von hydraulischen Leitsystemen

Komponenten der VEVOR-Serie Produkte müssen von autorisierten und

qualifizierte professionelle Techniker. Die VEVOR-Produktreihe implementiert die

Garantie für zwei Jahre After-Sales-Service, bei der Verwendung des Produkts, Wenn es irgendwelche Fragen oder Probleme haben, kontaktieren Sie bitte rechtzeitig den Händler. VEVOR wird die richtige Anleitung. VEVOR übernimmt keine Verantwortung für die Folgen von unbefugte Demontage oder Zerlegung.

Unbeschadet der Art des Produkts hat VEVOR das Recht,

Änderungen der Beschreibung, Informationen und Abbildungen in diesem Handbuch VEVOR ,
übernimmt keine Verantwortung für die nachteiligen Folgen, die dadurch entstehen

durch die Verwendung dieses Handbuchs in irgendeiner anderen illegalen Weise, die den Benutzer daran hindert, die Standard-Installationsanweisungen.

VORSICHTSMASSNAHMEN BEI DER INSTALLATION

• Verwenden Sie nur Komponenten von VEVOR. Die von anderen Herstellern gelieferten Teile Hersteller

• kann Sicherheitsrisiken verursachen und die Lenkfunktion beeinträchtigen;

• An allen Rohranschlussgewinden dürfen nur Dichtungen wie Loctite PST oder gleichwertige Dichtungsmittel verwendet werden. Verwenden Sie keine (Banding) oder ähnliche Dichtungsbänder, da diese Dadurch können Schmutzpartikel in das Pumpengehäuse gelangen und das Rohr verstopfen.

• Bitte verwenden Sie 10 # oder 15 # Spezial-Hydrauliköl, das qualifiziert ist und umweltfreundlich. Die Verwendung anderer Öle (z. B. Bremsöl) kann zu irreparable Schäden an Ihrer Ausrüstung, Verlust der Lenkfunktion und keine Garantie.

• Der minimale Biegeradius des Rohres beträgt 1 "18 (30CM). Berühren Sie nicht die scharfe Gegenstände. Durch ständiges Biegen, Reiben, Kratzen oder Verdrehen kann das Rohr beschädigt werden und platzen durch den normalen Lenkdruck, wodurch Verlust der Lenkfunktion.

• Lassen Sie das Rohr bei der Verwendung nicht frei fallen. Verwenden Sie Draht oder andere PVC-Material zur Befestigung, um mögliche Sicherheitsrisiken zu vermeiden.

• Regelmäßige Wartung der Anlagenkomponenten und Überprüfung der Rohrleitungen und

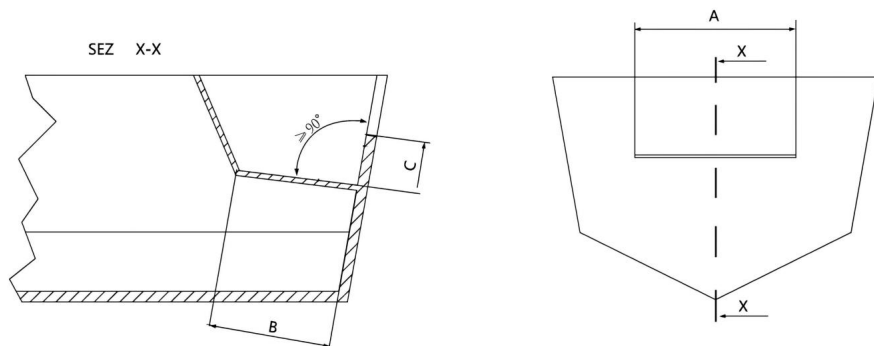
Durch die Überprüfung der Armaturen auf Verschleiß oder Beschädigung können Sie die Lebensdauer Ihrer Geräte verlängern.

TECHNISCHE DATEN

TYP	150 PS	300 PS-A
PUMPE	NR150	NR300
ROHR-ID (mm)	30	35
Stangen-Innendurchmesser (mm)	16	18
HUB[mm]	200	210
MAXIMALER DRUCK (BAR)	103	69
BEWERBEN SIE HON	Bis zu 150 PS	Bis zu 300 PS

Mindestabmessungen des Spritzwasserbeckens

Stellen Sie vor der Installation sicher, dass der Spritzwasserschutz Ihres Bootes die folgende Mindestabmessungen.

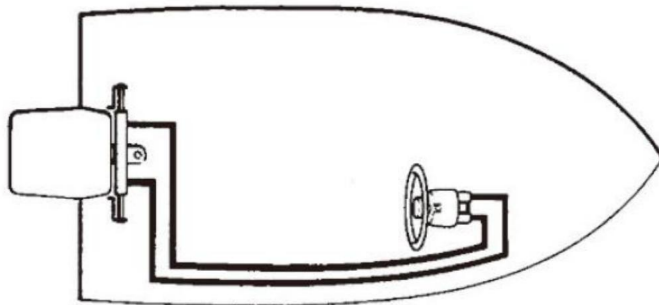


Mindestabmessungen des Spritzwasserbeckens

Anzahl der Motoren	A (mm)	B (mm)	C (mm)
1	560	152	152
2	1110	152	152

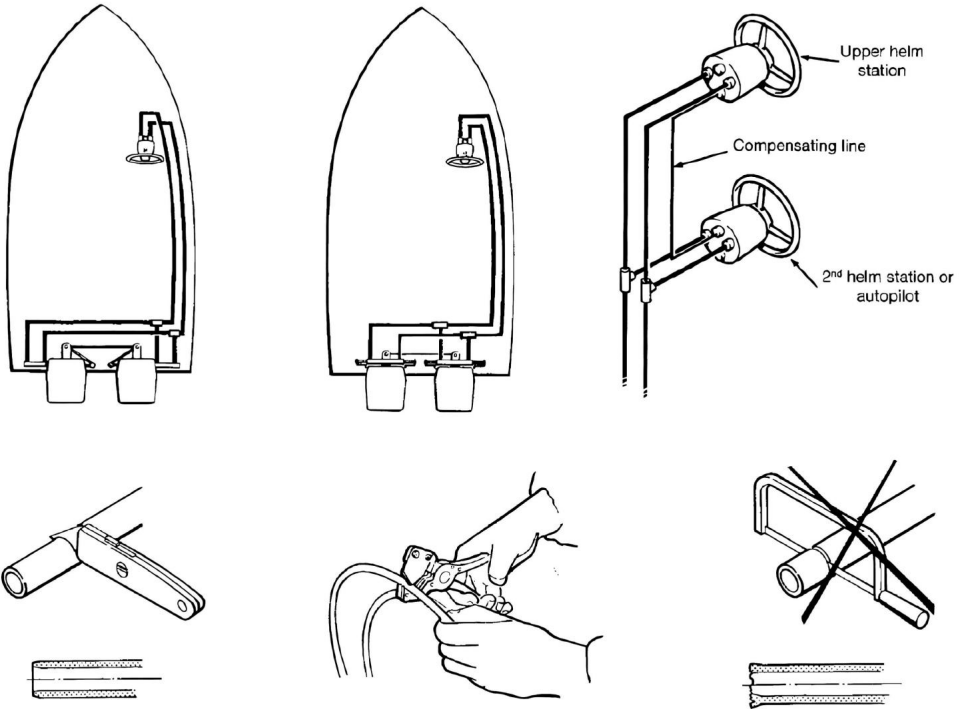
SCHLÄUCHE / ARMATUREN INSTALLATION-PUMPE VERBINDUNG

Den korrekten Anschluss der Schläuche von der Steuerpumpe an die Zylinder.



Für NR150/NR300

Schlauchanschluss



Wir empfehlen ausschließlich die Verwendung von VEVOR-Lenkschläuchen.

Versuchen Sie immer, die Schläuche auf dem kürzesten Weg zu verlegen, um mögliche Leistungsverlust. Um die Entlüftung des Systems zu erleichtern, ist es

Es wird empfohlen, die Schläuche horizontal mit einer Neigung von ca. 3 cm pro Zähler; die Pumpenseite muss höher sein als die Zylinderseite.

Schützen Sie immer die Schläuche, die durch ein anderes Fach oder Verwenden Sie geeignete Schottverbinder oder Hülssen.

Schläuche müssen so verlegt werden, dass sie kein Hindernis für andere darstellen. Komponenten.

Entfernen Sie die Schutzkappen erst, wenn die Schläuche verlegt und

Bereit zum Anschluss an die Steuerpumpe, den Schlauchanschluss oder den/die Steuerzylinder.

Sorgen Sie für ausreichende Schlauchlängen, um die Zylinderbewegung im gesamten Wendekreis und Auf-/Ab-Trim-/Neigeinstellungen des/der Motors/Motoren.

Achten Sie während der gesamten Schlauchinstallation darauf, dass die Schutzkappen auf dem Schlauch montiert bleiben. das Ende der Schläuche.

Aufmerksamkeit:

Installieren Sie Schläuche nicht in einem Bereich, wo sie großer Hitze ausgesetzt sind, Extreme Hitze reduziert den Berstdruck des Schlauches und kann zum Schmelzen des Schlauches führen.

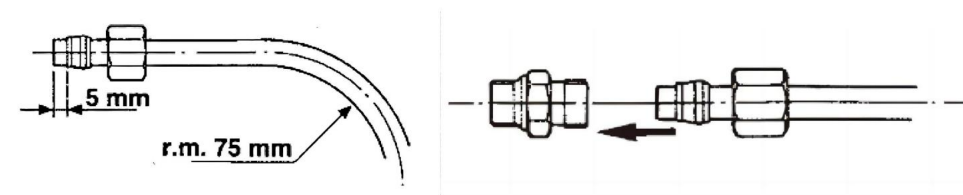
Achten Sie auf große Sauberkeit. Stellen Sie sicher, dass Rohre und Schläuche vollkommen sauber sind und frei von Spänen.

Notiz:

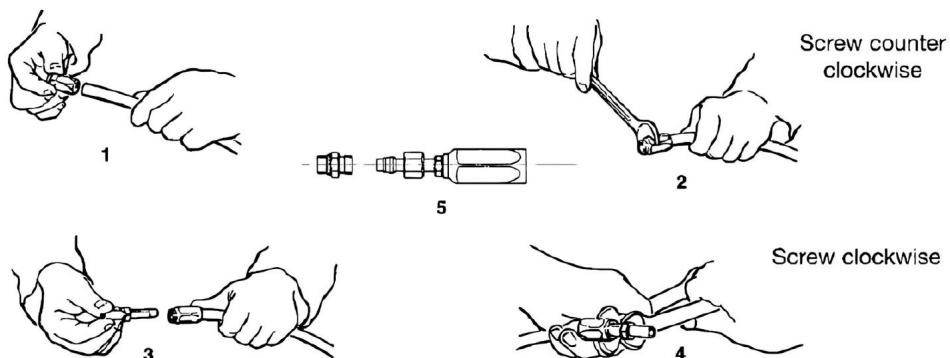
Flexible Schläuche müssen mit einem scharfen Messer abgeschnitten werden; verwenden Sie niemals eine Säge, da Nylonfragmente im Hydrauliksystem verursachen ernsthafte Probleme

INSTALLATION VON HYDRAULIKSCHLÄUCHEN

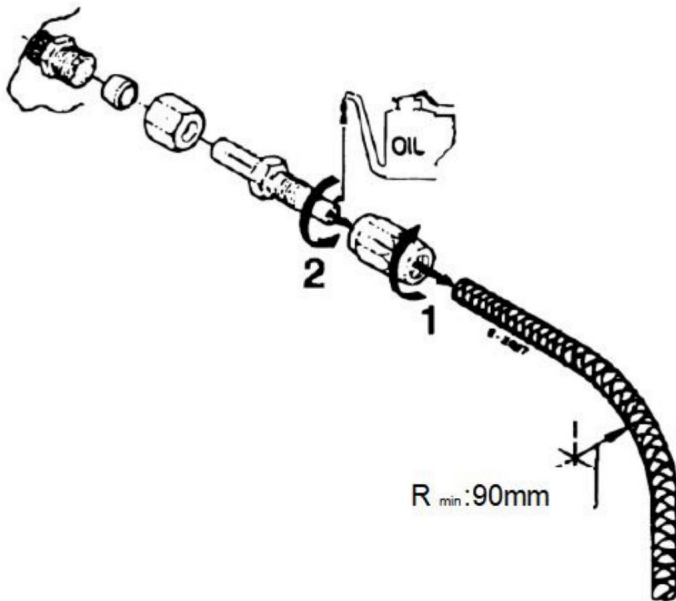
Nach dem Kürzen des Nylonschlauches montieren Sie die Überwurfmutter und die Stützhülse auf dem Schlauch (Überprüfen Sie, ob es richtig am Schlauchende sitzt.) Nach der Montage der Mutter müssen Sie diese mit einem Schraubenschlüssel festziehen.



Alternativ können Sie flexible Schläuche mit wiederverwertbaren Anschlüssen montieren. Machen Sie es wie die Die Abbildungen unten zeigen dies.



Nach der Installation reinigen Sie die Innenseite der Schläuche durch Ausblasen mit Druckluft, um Verstopfungen zu vermeiden und Staub und Schmutz zu entfernen aus dem Lager. Vor dem Entlüften wird außerdem empfohlen, die Kein Wasser verwenden.

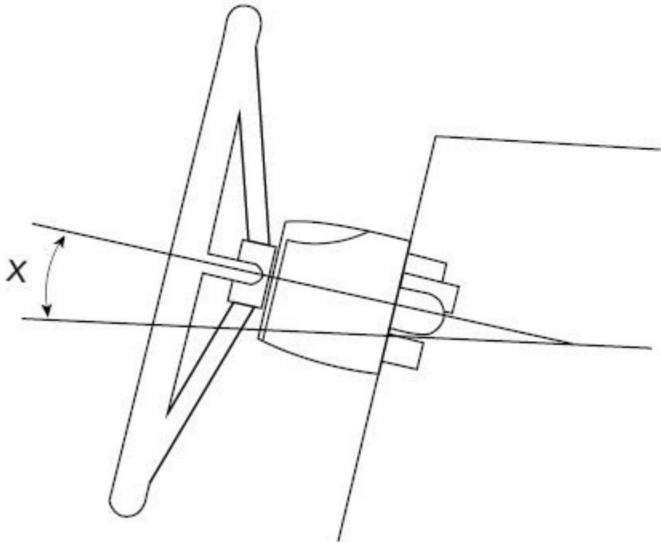


1. Nach dem Schneiden die Rohrkupplungshülse auf das Rohr schrauben (linksdrehend Faden).
2. Die Rohrkupplung ölen und in die Hülse schrauben. Darauf achten, dass die Innen-Ummantelung des Schlauches darf beim Anziehen der Schraube nicht mitgezogen werden! Achten Sie auch darauf, dass beim Anziehen der Schraube die Innenummantelung des Schlauches nicht gequetscht wird.
3. Überprüfen Sie, dass keine internen Störungen vorliegen, indem Sie einen kleinen Schraubendreher in das Rohr stecken Kupplung, bevor Sie mit der Schlauchinstallation am Steuerstand oder Zylinder fortfahren.

HYDRAULISCHES RICHTUNGSSYSTEM NR150/ NR300-INSTALLATION

Installationstools (Um die Installation dieses Systems abzuschließen, benötigen Sie die folgende Werkzeuge):

Ein 9-mm-Bohrer	E.17mm Montageschlüssel
B.30mm Montageschlüssel	F.12mm Montageschlüssel
C.11mm Installationsschlüssel	G.24mm Steckschlüssel
D.19mm Montageschlüssel	



Wichtig:

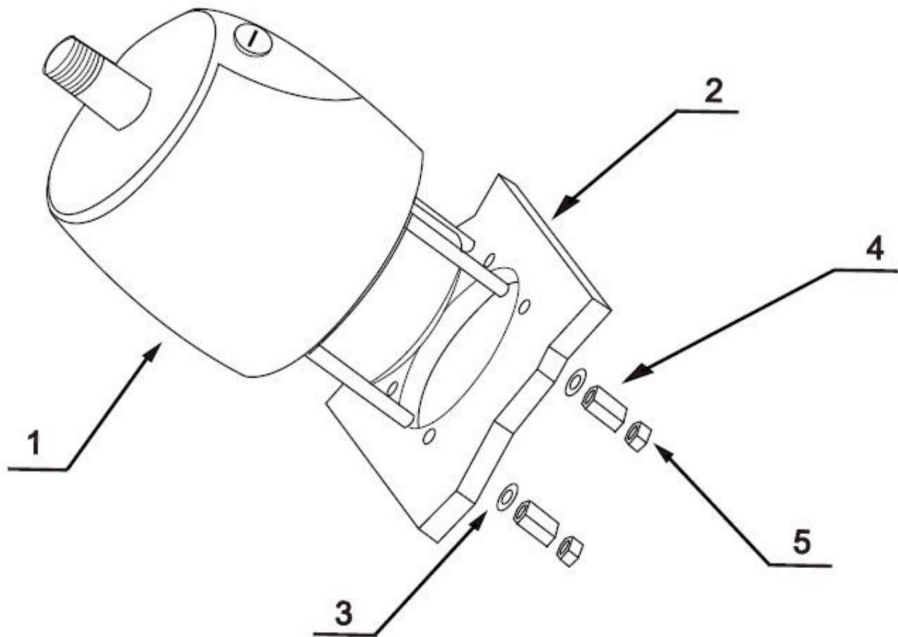
Führen Sie den Entlüftungsvorgang manuell und mit geneigter Steuerpumpe durch nicht mehr als 20 Grad (X).

Lenkpumpe NR300 Einbau:

Bestimmen Sie den Winkel und die Position, in der Sie die Lenkung einbauen, um sicherzustellen, das Rad nicht mit anderen Geräten interferiert. Überprüfen Sie, ob noch genügend Raum hinter dem Brückenarmaturenbrett (2) für Armaturen- und Rohranschlüsse.

Wenn keine Montagelöcher in der Instrumententafel geöffnet wurden, siehe Bohranleitung Schablone in den Aufsatz einsetzen und Löcher an den entsprechenden Stellen bohren.

RIF.	BESCHREIBUNG	Menge
1	Pumpe	1
2	Planke	1
3	Unterlegscheibe	4
4	Zugentlastungsmutter	4
5	Kontermutter	4



• Befestigen Sie eine 1:1-Montageschablone für Zugangslöcher (im Lieferumfang dieser Anleitung enthalten) an der Instrumententafel, und positionieren Sie das Befestigungsloch standardmäßig mit einem Lochsneider.

• Bohren Sie ein Loch mit 77 mm Durchmesser und bohren Sie vier Löcher mit 9 mm Durchmesser, wie auf dem Montageschablone.

• Führen Sie den vorbereiteten Schlauch durch das mittlere Loch mit 77 mm Durchmesser und schließen Sie es an die Lenkpumpe (1) an.

• Die Lenkpumpe mit 4 Unterlegscheiben (3) und 4

Zugentlastungsmuttern (4), 4 Kontermuttern (5), Anzugsdrehmoment $\dot{\gamma}$ 15 N.

• Den konischen Teil der Welle schmieren. Den halbrunden Keil montieren.

Lenkrad in Richtung Welle und Lenkradkeilnut auf der

Halbrundschlüssel. Platzieren Sie die Unterlegscheibe und ziehen Sie die Lenkungssicherungsmutter fest.

Das Drehmoment beträgt $\dot{\gamma}$ 20 N.

Notiz:

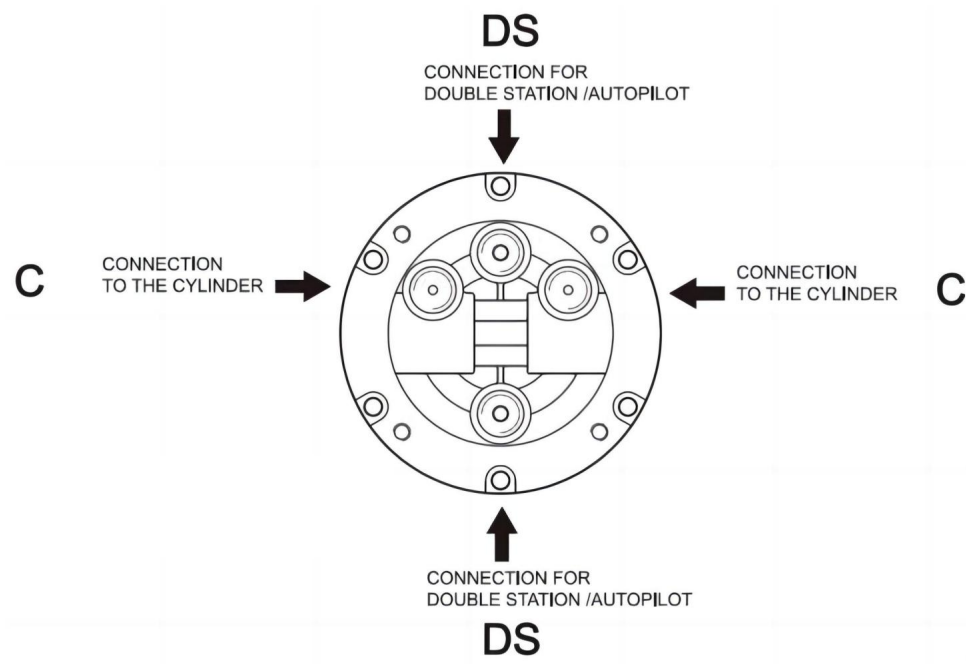
• Die Lenkpumpe sollte in einem Neigungswinkel von X 20 Grad montiert werden. Wenn sie überschritten wird, kann es passieren, dass Luft in den Kanal gelangt und die Lenkfunktion beeinträchtigt wird.

• Verwenden Sie nur selbstsichernde Befestigungselemente von VEVOR oder

Standardbefestigungselemente. Die Verwendung nicht selbstsichernder Befestigungselemente kann dazu führen, dass sich die Ausrüstung löst oder trennt.

• Öffnen Sie beim Einbau der Lenkpumpe nicht den Pumpendeckel oder den Einfülldeckel, um zu verhindern, dass Schmutz und Späne in die Pumpe gelangen und die Lenkfunktion beeinträchtigen.

• Teflonartige Banddichtungen können nicht an Rohrrippeln verwendet werden. Dadurch können Bandspäne in den Pumpenkörper gelangen und so die Lenkfunktion beeinträchtigen. (Die VEVOR-Serie ist eine Rohrgewinde-Dichtungstechnologie, die keine Verwendung anderer Dichtungsbänder erfordert.)



Ventilanschluss:

Anschluss mit der Markierung „C“ für Verbindungen zu den Zylindern

Port mit der Bezeichnung „DS“ Verbindungen zur Zusatzstation oder zum Autopiloten

ZYLINDER 300 PS INSTALLATION

⚠️ WARNUNG:

Es ist wichtig, regelmäßig zu überprüfen, mindestens alle 3 Monate (oder jeden Monat für

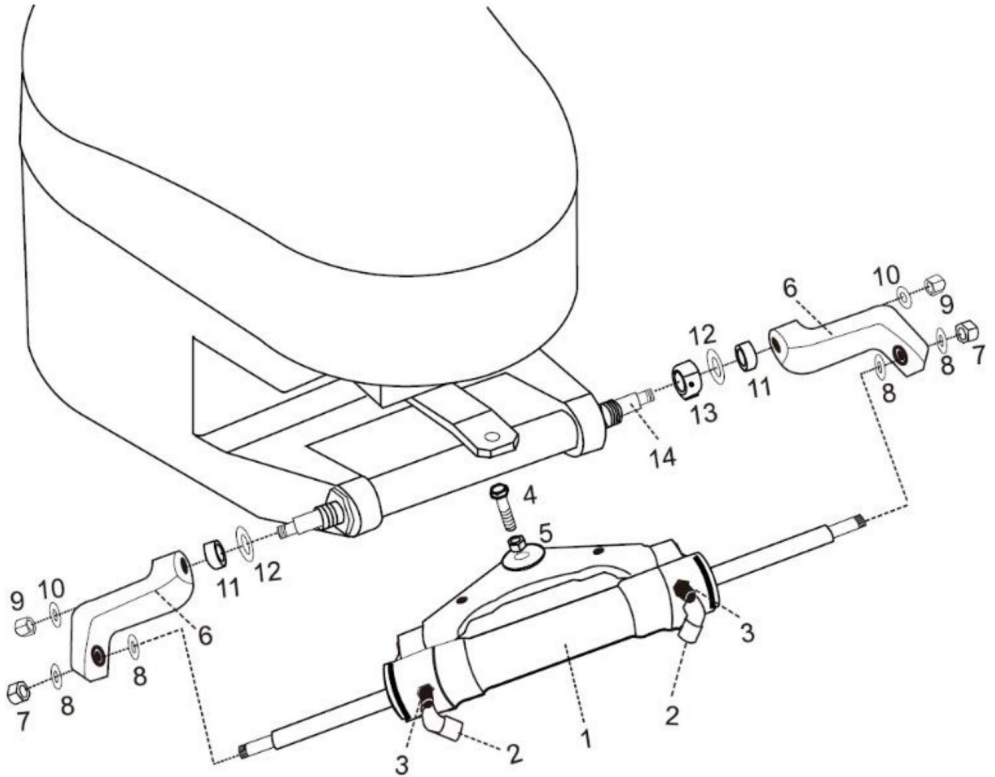
Für den professionellen Einsatz ist das richtige Drehmoment dieser Schraube und der Kontermutter zu beachten.

Der Zylinderarm sollte bei den meisten Marken von Motor-Pinnwand-Motoren an der Motorpinne befestigt werden.

Außenborder. Sollte die Pinne mit anderen Teilen des Außenborders in Berührung kommen, dann es kann stattdessen unter der Pinne montiert werden.

▲WARNUNG:

Entfernen Sie die roten Kappen, um die Schlauchanschlüsse zu installieren.



RIF.	BESCHREIBUNG	MENGE	RIF.	BESCHREIBUNG	Menge
1	Zylinder	1	8	Halterungsdichtung	4
2	Schlauchverbinder	2	9	Montagegange selbtsichernde Mutter	2
3	Entlüftungsanschluss	2	10	Selbtsichernde Mutter Unterlegscheibe	2
4	3/8-24 Anschlussbolzen	1	11	Dichtung aus Edelstahl	2

5	3/8-24 Kontermutter	1	12	Spaltverstellpad	2
6	Zylinderhalterung	2	13	Mutter zur Spalteinstellung	1
7	Selbstsichernde Kolbenstangenmutter 2		14	Montagegestange	1

ÿ Prüfen Sie vor dem Einbau, ob Ihr Motor dafür geeignet ist.

Zylindertyp und stellen Sie sicher, dass Ihr Heckbordraum ausreichend groß ist für Installation.

ÿ Vor dem Einbau die beweglichen Anschlusssteile des Motors schmieren und den Zylinder und die Kolbenstange mit qualifiziertem Marine-Schmiermittel, und richten Sie Ihren Motor in die Mittelstellung bringen;

ÿ Die selbstsichernden Muttern (7) (9) an beiden Enden der Zylinderkolbenstange lösen und die Montagegestange und entfernen Sie die Montagegestange (14), die Edelstahlscheibe (12), den Abstandseinstellungsblock (11) und die Abstandseinstellungsmutter (13).

Zubehör, installieren Sie die Montagegestange (14) in der Montagebohrung des Motors (wie siehe oben);

ÿ Entfernen Sie die Schraube (4) im mittleren Loch der Zylinderdreiecksplattenhalterung, stellen Sie den Winkel des Motors ein, entsprechend dem Loch am Motoranschluss
Platte, mit Schrauben (4) und Muttern (5) die Zylinderdreieckplatte am Motor befestigen.
Achten Sie auf die Links- und Rechtsschwingung der Maschine, um sicherzustellen, dass der Zylinder die Bewegung des Motors nach dem Einbau nicht beeinträchtigen.

ÿ Stellen Sie den Winkel des Motors und die Ausfahrlänge der Kolbenstange des Zylinder. Montieren Sie die beiden Zylinderhalterungen (6), die Spalteinstellmutter (13), die Edelstahldichtung (12) und dem Spalteinstellblock (11) an der Kolbenstange und die Montagegestange richtig entsprechend dem Abstand zwischen Motor und Zylinder. (Siehe Abbildung oben)

ÿ Nach Abschluss der Installation sollte die Spalteinstellmutter (13) nach links gedreht und verriegelt, um den Laufspalt des Zylinders zu beseitigen.
wird Ihr Nutzungserlebnis verbessern.

ÿ Nach Abschluss der Installation schieben Sie Ihren Motor nach links und rechts, um einen Probelauf des Zylinders. Prüfen Sie, ob es Störteile gibt, wenn der Zylinder läuft hin und her. Wenn es zu Störungen kommt, müssen Sie den Einbau. Wenn keine Störungen auftreten, schieben Sie den Motor bis zum Ende der linken/rechten Grenze. Der nächste Schritt ist Auftanken und Auspuffen;

WARNUNG:

Um Stöße gegen die Kolbenstange beim Einbau zu vermeiden, ist es verboten, mit einem Schraubenschlüssel oder einem harten Gegenstand auf die Kolbenstange zu schlagen. Wenn die Kolbenstange beschädigt wird, führt dies zu einem Austreten von Hydrauliköl aus dem Ölzylinder, was Ihr Produkterlebnis beeinträchtigt.

Hydraulische Leitung des Abgassystems:

Für diesen Arbeitsvorgang sind zwei Personen erforderlich. Eine Person ist möglicherweise nicht in der Lage, die gesamte Luft aus dem Hydrauliksystem zu entfernen. Dies führt dazu, dass der Ausgangsdruck des Hydrauliksystems nicht ausreicht. Dies führt zu Leistungseinbußen und einer langsamen Reaktion und beeinträchtigt somit Ihr Produkterlebnis.

Bitte verwenden Sie zum Nachtanken ein spezielles umweltfreundliches Hydrauliköl oder ein anderes geeignetes Spezialhydrauliköl. Verwenden Sie kein Bremsöl. Die Verwendung eines anderen nicht zulässigen ätzenden Öls kann zu irreparablen Schäden an Ihrem System führen und dazu, dass für das Produkt keine Garantie mehr besteht.

VORSICHTSMASSNAHMEN:

Wenn Sie die Pumpe mit Hydraulikflüssigkeit füllen, bevor Sie den Einfüllschlauch an die Pumpe anschließen, lässt sich der Füllvorgang schneller und einfacher durchführen.

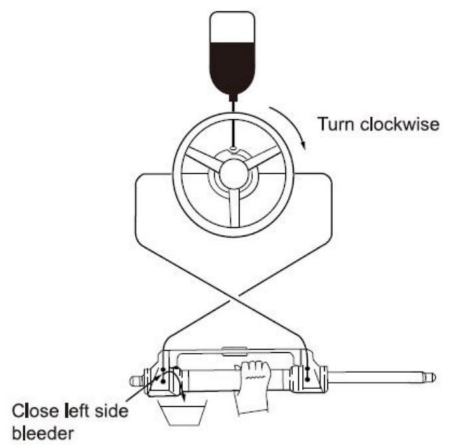
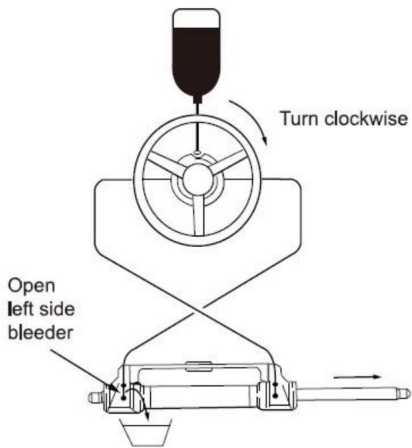
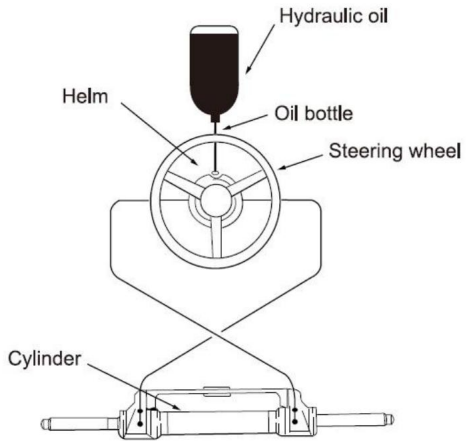
Im Notfall kann dem System vorübergehend jedes ungiftige, nicht ätzende und nicht brennbare Öl zugeführt werden, das gesamte System muss jedoch anschließend gründlich gereinigt werden: Bitte halten Sie den Tankschlauch während des gesamten Tankvorgangs sichtbar. Lassen Sie kein Öl in die Pumpe gelangen. Andernfalls kann Luft eindringen, die die Tankzeit verlängert. Während des Tankens und Ablassens kann das aus dem Entlüftungsverteiler des Zylinders gesammelte Hydrauliköl nach wenigen Augenblicken direkt verwendet werden. Bitte schützen Sie die Umwelt und entsorgen Sie Altöl ordnungsgemäß. Das vom VEVOR-System bereitgestellte Spezialhydrauliköl kann wiederverwendet werden, nachdem es durch den Filter mit einem Lochdurchmesser von höchstens 38 µm gefiltert wurde.

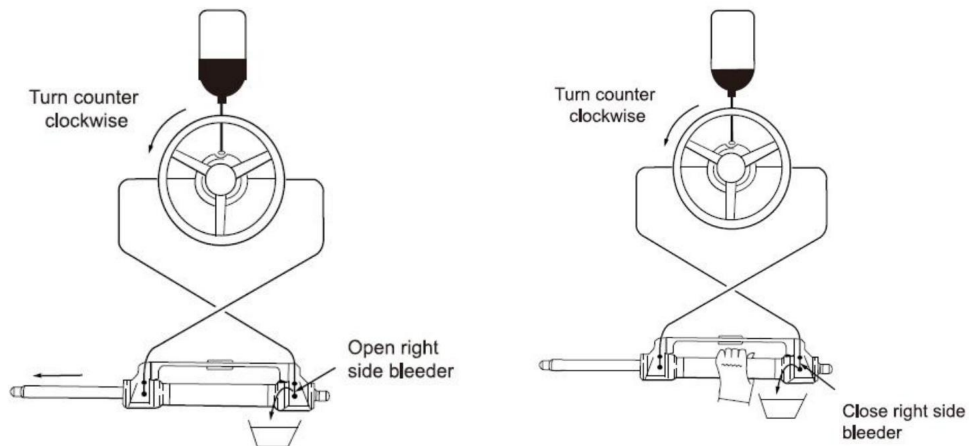
Schritte zum Nachfüllen und Entlüften

• Schrauben Sie das mit dem System gelieferte Gewinde des Filetrohrs in den Anschluss der Kraftstoffpumpe und ziehen Sie es fest, um

sicherzustellen, dass es luftdicht ist. • Passen Sie die mit diesem System mitgelieferte scharfe Halterung an den Ölflaschenverschluss an. Stecken Sie die scharfe Öffnung mit etwas Kraft in die Pumpe und gießen Sie das Öl in das Kraftstoffzuführrohr, bis keine Luft mehr zu sehen ist (die Flasche kann leicht gedrückt werden).

Beschleunigen Sie das Nachfüllen.)





• Drehen Sie das Lenkrad langsam im Uhrzeigersinn, bis eine Seite der Kolbenstange vollständig ausgefahren ist. Montieren Sie das Auspuffrohr an der Einfahrseite der Kolbenstange, um
• Den Zylinder festhalten, damit er

sich nicht dreht, die Ölpumpe abschrauben und
Entlüftungsnippel an der Seite des Entlüfters (nicht abschrauben
vollständig, es reicht, wenn Sie das Öl sehen können) drehen Sie das Lenkrad
im Uhrzeigersinn, bis Sie sehen, dass das aus dem Auspuffrohr ausgestoßene Öl stabil ist
und gründlich, keine Blasen, drehen Sie das Lenkrad zur gleichen Zeit festziehen
die Entlüftungsmutter, Auspuffanschlüsse schließen;

• Drehen Sie das Lenkrad weiter gegen den Uhrzeigersinn, bis die ursprüngliche
Einfahrseite der Kolbenstange vollständig ausgefahren, Passen Sie das Auspuffrohr an die
Seite der Kolbenstange zurückziehen, um das Öl aus der Entlüftung
aufzufangen. • Den Zylinder festhalten, um zu verhindern, dass sich der Zylinder dreht.
Entlüftungsanschlussmutter einer Seite. (Nicht vollständig abschrauben, es reicht aus,
solange Sie das Öl sehen können). Drehen Sie das Lenkrad im Uhrzeigersinn, bis Sie
siehe das Öl aus dem Entleerungsrohr ist stabile Sperre , keine Blasen.Entlüfter festziehen
, Entleerungsvorrichtungen schließen.

• Drehen Sie das Lenkrad mehrmals im Uhrzeigersinn/gegen den Uhrzeigersinn, um
Überprüfen Sie die Anzahl der vollen Ruderdrehungen (Parametertabelle), um festzustellen, ob
die Hydraulikflüssigkeit im Schlauch vollständig ausgeschlossen ist. Wenn es
stille Luft, die Anzahl der vollen Ruder wird zunehmen). Wenn es noch eine Menge Luft gibt, die
nicht ausgeschlossen ist, dann Vorgang wiederholen. Wenn eine kleine Menge Luft vorhanden ist,

Volles Ruder in eine Richtung. Drehen Sie einen kleinen Halbkreis um, führen Sie erneut volles Ruder aus, wiederholen Sie dies 5–6 Mal nach links und nach rechts. ÿ Entfernen Sie nach

Abschluss des Rudertests die Kraftstoffleitung und die Entlüftungsleitung, schrauben Sie den Tankdeckel fest und setzen Sie die entleerte Anschlusshülse ein. Das unbenutzte Hydrauliköl wird für spätere Wartungs- und Reparaturarbeiten verschlossen. (Überprüfen Sie die Oberfläche der Hydraulikpumpe einmal im Vierteljahr. Ölmangel kann zu Störungen führen.)

FEHLER UND LÖSUNGEN:

Im Folgenden sind die häufigsten Fehler und ihre Ursachen und Lösungen aufgeführt. Wenn sich das Ruder mit vollem Ruder dreht (voller Zylinderhub), kann es zu einem leichten Widerstand kommen und es kann ein Klickgeräusch der inneren Teile geben, das von der inneren Ventilkugel und der Lagerstahlkugel beim Betrieb herrührt. Dies ist ein normales Phänomen. Bitte gehen Sie nicht davon aus, dass dies durch Fehler verursacht wird.

FEHLER	URSACHE	LÖSUNG
Das Hydraulikruder bleibt beim Einbau komplett hängen.	Rohrverstopfung zwischen Hydraulikpumpe und Hydraulikzylinder.	Überprüfen Sie, ob der Schlauch verstopft oder verbogen ist. Wenn er verbogen ist, müssen Sie den beschädigten Schlauch austauschen. Andernfalls kann es zum Verlust der Lenkfähigkeit und zu schweren Verletzungen oder Sachschäden kommen.
Das Tanken ist schwierig das System, auch wenn das System anzeigt, dass der Tank voll ist, Blasen weiterhin aus dem Öl herauspringen Pumpe.	Es ist Luft im Die Entlüftungsarmatur des Systems ist undicht. Die Hydraulikleitungen weisen Wicklungen oder Biegeverletzungen auf.	Installieren Sie das System ordnungsgemäß gemäß der Installationsanleitung. Das Zulaufrohr muss immer nach oben zeigen. Ziehen Sie die Entleerungsarmaturen fest. Wickeln Sie den Schlauch ab und richten Sie ihn gerade aus oder ersetzen Sie den beschädigten Schlauch.
Wenn Sie das System zum Lenken verwenden,	Hydraulikleitungen haben gebogene Verletzungen Es gibt	Den Schlauch abwickeln und gerade biegen oder den beschädigten Schlauch ersetzen.

müssen Sie den vollen Ruder schnell für viele Male.	Gas oder feine Blasen in das Hydrauliköl. Falsches Hydrauliköl wurde verwendet.	Schlauch. Richtig tanken bzw. auspuffen je nach Einbau Handbuch Verwenden Sie das richtige Hydrauliköl.
Wenn das System volles Ruder, das Lenkrad nur funktioniert nicht	Es gibt Schmutz Verunreinigungen in der Hydraulikpumpenventil	Verwenden Sie nicht die „Band“-Versiegelung Klebeband an der Schnittstelle. Die Hydraulikpumpe auseinandernehmen um den Schmutz zu reinigen.
Das System kann steuern das Schiff leicht, wenn das Schiff liegt still, Es ist jedoch sehr schwer zu lenken, während Segeln.	Kleines Lenkrad wurde ausgewählt. Der Motoranschluss ist nicht richtig eingestellt, Airbag wird erzeugt in das System und die Luft ist nicht ausgeschlossen vollständig. Systemkonfigurationen Leistungsgrenzen überschreiten.	Wechsel zu einem größeren Lenkrad Rad, dessen maximale Durchmesser ist nicht größer als 56 cm. Passen Sie die Motorverbindung an Einstellungen richtig. Überprüfen Sie die Oberfläche von Hydraulikpumpe, setzen Sie die Richtig tanken und entlüften.
Lenkrad dreht sich zur linken Backbordseite, Schiff dreht nach rechts	Falsche Ölleitung Verbindung	Tauschen Sie die beiden Ölleitungen des Zylinder miteinander und installieren Sie sie.
Zylinder kann nicht installiert auf dem Motor.	Jeder Zylinder benötigt entsprechender Motor Modell.	Bitte beachten Sie das Handbuch oder der Kundenservice der Händler, um das Modell zu ändern.

Wenn die Ruderpumpe den Anschlag erreicht (Zylinder voller Hub), eine kleine Menge der hydraulischen Drift ist normal und die Ruderpumpe ist nicht 100% gesperrt

WARTUNG

WARNUNG:

Die Einhaltung der unten aufgeführten routinemäßigen Wartungspläne gewährleistet , im Zeitrahmen die langjährige Leistung Ihres VEVOR-Lenksystems sowie schützen Sie sich und Ihre Passagiere vor den Gefahren, die auf und neben der Straße vorhanden sind

Wasser.

Bei Nichtbeachtung der Wartungskontrollen kann es zu einem Verlust der Lenkfähigkeit kommen, was Sachschäden und/oder Personenschäden.

Inspektionen sind jedes Jahr notwendig und müssen von Fachpersonal durchgeführt werden. Schiffsmechaniker.

Überprüfen Sie die Welle und die O-Ringe des Zylinders, die O-Ringe der Steuerpumpe, die Anschlüsse der Zylinder- und Steuerpumpe, um Leckagen vorzubeugen.

Überprüfen Sie die Festigkeit aller Befestigungselemente/Anschlüsse im gesamten Lenksystem.

Reinigen Sie das System mit Süßwasser und einer nicht scheuernden Flüssigkeit.

Zur Reinigung sämtlicher Teile der hydraulischen , Säuren oder andere ätzende Inhaltsstoffe dürfen nicht Lenkung dürfen keine ammoniakhaltigen Reinigungsflüssigkeiten verwendet werden.

Verwenden Sie keine Bremsöle oder Automatikgetriebeöl (ATE) Verwenden Sie nur kompatible Hydrauliköle.

Vor jedem Gebrauch:

ÿ Überprüfen Sie den Flüssigkeitsstand in der obersten Steuerpumpe.

ÿ Überprüfen Sie, ob beim Drehen des Lenkrads/der Lenkrräder eine sofortige Lenkreaktion erfolgt. Motor dreht sich, wenn das Lenkrad gedreht wird).

ÿ Führen Sie eine Sichtprüfung aller Lenkschläuche und Armaturen auf Verschleiß, Knicke und/oder Lecks durch.

ÿ Auf Klemmen, lose , verschlissene oder undichte Lenkungsteile.

Warnung:

ÿ Betreiben Sie das Boot NICHT, wenn eine Komponente nicht ordnungsgemäß funktioniert.

ÿ Machen Sie in diesem Fall bitte umgehend Fotos und kontaktieren Sie Ihren Händler.

Nach den ersten 20 , dann alle 100 Stunden oder 6 Monate Stunden danach (je nachdem, was zuerst eintritt):

ÿ Alle oben genannten Punkte

ÿ Überprüfen Sie die Festigkeit ALLER Befestigungselemente/Anschlüsse im gesamten Lenksystem.

Zum Anziehen sind die richtigen Drehmomentangaben erforderlich.

ÿ Prüfen Sie das Lenksystem auf mechanisches Spiel und korrigieren Sie es ggf. erforderlich.

ÿ Suchen Sie nach Anzeichen von Korrosion. Wenn Korrosion vorhanden ist, wenden Sie sich an Ihren Händler.

Nach jeweils 200 Stunden oder 12 Monaten (je nachdem,

kommt zuerst):

ÿ Alle oben aufgeführten Punkte.

ÿ Stützstange vom Motorlenk-/Kipprohr entfernen. Motorlenk-/Kipprohr reinigen
Tube und neu einfetten usino ein hochwertiges Marinefett

ÿ Stützstange großzügig einfetten.

ÿ Fetten Sie alle Kontaktpunkte in den Zylinder- und Holmmontagen ein.

Zum erneuten Fetten darf die Pinnenschraube NICHT entfernt werden.

ÿ Lenkrad demontieren und Radwelle mit hochwertigem Marinefett neu schmieren.
Fett.

ÿ Hydrauliköl auf Sauberkeit prüfen , bei Bedarf spülen.

ÿ Alle Arbeiten an der Lenkung MÜSSEN von einem
qualifizierter Mechaniker mit praktischen Kenntnissen des Systems.

Hersteller: Shanghaimuxinmuyeyouxiangongsi

Adresse: Shuangchenglu 803nong11hao1602A-1609shi, baoshanqu, Shanghai
200000 CN.

Nach AUS importiert: SIHAO PTY LTD. 1 ROKEVA STRETEASTWOOD
NSW 2122 Australien

Importiert in die USA: Sanven Technology Ltd. Suite 250, 9166 Anaheim
Ort, Rancho Cucamonga, CA 91730



YH CONSULTING LIMITED.

C/O YH Consulting Limited Office 147,
Centurion House, London Road,
Staines-upon-Thames, Surrey, TW18 4AX



E-CrossStu GmbH

Mainzer Landstr.69,
60329 Frankfurt am Main.

VEVOR[®]

TOUGH TOOLS, HALF PRICE

Technischer Support und E-Garantie-Zertifikat

www.vevor.com/support

VEVOR[®]

TOUGH TOOLS, HALF PRICE

Supporto tecnico e certificato di garanzia elettronica www.vevor.com/support

STERZO IDRAULICO FUORIBORDO

SISTEMA

MODELLO:NR150/NR300

Continuiamo a impegnarci per fornirvi strumenti a prezzi competitivi.

"Risparmia la metà", "Metà prezzo" o qualsiasi altra espressione simile da noi utilizzata rappresenta solo una stima del risparmio che potresti ottenere acquistando determinati utensili con noi rispetto ai principali marchi principali e non significa necessariamente coprire tutte le categorie di utensili da noi offerti. Ti ricordiamo gentilmente di verificare attentamente quando effettui un ordine con noi se stai effettivamente risparmiando la metà rispetto ai principali marchi principali.

VEVOR[®]
TOUGH TOOLS, HALF PRICE

IDRAULICO FUORIBORDO
SISTEMA DI STERZO

MODELLO:NR150/NR300



<Immagine solo per riferimento>

HAI BISOGNO DI AIUTO? CONTATTACI!

Hai domande sul prodotto? Hai bisogno di supporto tecnico? Non esitare a contattarci:

Supporto

**tecnico e certificato di garanzia elettronica [www.vevor.com/](http://www.vevor.com/support)
support**

Questa è l'istruzione originale, si prega di leggere attentamente tutte le istruzioni del manuale prima di utilizzare. VEVOR si riserva una chiara interpretazione del nostro manuale utente. L'aspetto del prodotto sarà soggetto al prodotto ricevuto. Vi preghiamo di perdonarci se non vi informeremo di nuovo se ci sono aggiornamenti tecnologici o software sul nostro prodotto.

IMPORTANTI MISURE DI SICUREZZA



ATTENZIONE: leggere e comprendere l'intero manuale prima

funzionamento o la manutenzione di questo prodotto. La mancata osservanza di queste avvertenze e le istruzioni possono causare lesioni personali o danni a beni di valore proprietà.

Precauzioni di montaggio

1. Montare solo secondo queste istruzioni. Un montaggio non corretto può creare pericoli.
2. Mantenere l'area di assemblaggio pulita e ben illuminata.
3. Tenere gli astanti fuori dall'area durante l'assemblea.
4. Non riunirsi quando si è stanchi o sotto l'effetto di alcol, droghe o farmaco.
5. Le capacità del prodotto si applicano solo al prodotto correttamente e completamente assemblato.
6. Per ulteriori informazioni sulle parti elencate nelle pagine seguenti, fare riferimento allo schema di montaggio di questo manuale. Disimballare e separare tutti i parti in un'area di lavoro pulita. Si prega di tenere le piccole parti di ricambio fuori dalla portata dei bambini.

SALVA QUESTE ISTRUZIONI

Grazie per aver acquistato il sistema di sterzo idraulico VEVOR.

Questo manuale illustrerà le varie funzioni di questo sistema in modo che tu possa scopri il piacere esclusivo che questo prodotto può offrirti.

Il sistema di sterzo idraulico VEVOR si basa sul concetto di moderno sistema di sterzo industriale progettazione, la tecnologia della pompa a pistoni ad alta efficienza e potenza di trasmissione è applicato alla progettazione e alla fabbricazione di organi di governo delle navi, che rende il vostro sistema di sterzo più stabile, più intelligente e più affidabile.

I componenti principali del meccanismo di sterzo sono in lega di alluminio ad alta resistenza e acciaio inossidabile che può essere utilizzato in condizioni marine difficili ed estendere la longevità del sistema di sterzo.

Il sistema di sterzo ti libererà dai pesanti e rigidi meccanismi albero di sterzo, che può salvare le tue braccia doloranti. Può aumentare il piacere di guidare un motoscafo.

CARATTERISTICHE PRINCIPALI

ÿ La pompa dello sterzo è dotata di una struttura interna compatta e di un design alla moda e aspetto gradevole. ÿ La

valvola di bloccaggio bidirezionale integrata elimina la coppia di rimbalzo. ÿ Facile sostituzione della guarnizione dell'albero, design intuitivo;

ÿ L'albero dello sterzo con trattamento superficiale speciale non solo ha resistenza e affidabilità, ma ha anche le caratteristiche di resistenza all'usura, resistenza alla corrosione. ÿ Il guscio in lega di alluminio ad alta resistenza e il processo di trattamento superficiale possono garantire

la sua resistenza all'usura e alla corrosione e previene efficacemente l'erosione dell'acqua. ÿ

Tubazioni: i raccordi rapidi da 1/4 in nylon ad alta resistenza rendono l'installazione compatto e riutilizzabile. ÿ L'uso di

olio idraulico personalizzato di alta qualità può migliorare la lubrificazione di parti e protezione delle guarnizioni.



NORME GENERALI DI SICUREZZA E GARANZIA

Il presente manuale di installazione e manutenzione è parte integrante del prodotto e devono essere pienamente comprese dall'utente prima dell'installazione.

L'installazione, la manutenzione e il trasferimento del sistema di direzione idraulica componenti della serie di prodotti VEVOR devono essere realizzati da personale autorizzato e tecnici professionisti qualificati. La serie di prodotti VEVOR implementa la garanzia per due anni di servizio post-vendita, quando si utilizza il prodotto, se c'è qualche domanda o problema, si prega di contattare il rivenditore in tempo. VEVOR fornirà il guida corretta. VEVOR non si assumerà la responsabilità delle conseguenze di smantellamento o disassemblaggio non autorizzato.

Fatto salvo il pregiudizio per la natura del prodotto, VEVOR ha il diritto di effettuare modifiche alle informazioni descrittive e alle illustrazioni contenute nel presente manuale VEVOR non si assume alcuna responsabilità per le conseguenze negative causate

copiando questo manuale con qualsiasi altro mezzo illegale che impedisca all'utente di seguirlo le istruzioni di installazione standard.

PRECAUZIONI PER L'INSTALLAZIONE

ÿ Utilizzare solo componenti forniti da VEVOR, le parti fornite dagli altri produce

ÿ può causare rischi per la sicurezza e compromettere la funzione dello sterzo;

ÿ Su tutte le filettature di collegamento dei tubi, utilizzare solo guarnizioni come Loctite PST o equivalenti deve essere utilizzato un sigillante. Non utilizzare nastri (banding) o nastri sigillanti simili, poiché potrebbero consentire ai detriti di entrare nel corpo della pompa e causare il blocco del tubo.

ÿ Utilizzare olio idraulico speciale da 10 o 15 # qualificato e rispettoso dell'ambiente. L'utilizzo di altri oli (ad esempio l'olio per freni) può causare danni irreparabili alla tua attrezzatura, causando la perdita della funzione di sterzo e nessuna garanzia.

ÿ Il raggio minimo di curvatura del tubo è 1"18 (30CM). Non toccare il oggetti taglienti. Piegare, strofinare, graffiare o torcere continuamente può causare il tubo può danneggiarsi e rompersi a causa della normale pressione dello sterzo, causando così perdita della funzione di sterzo.

ÿ Non lasciare cadere liberamente il tubo durante l'uso, utilizzare filo o altro PVC materiale da fissare, in modo da evitare potenziali rischi per la sicurezza.

ÿ Manutenzione regolare dei componenti del sistema e ispezione delle tubazioni e

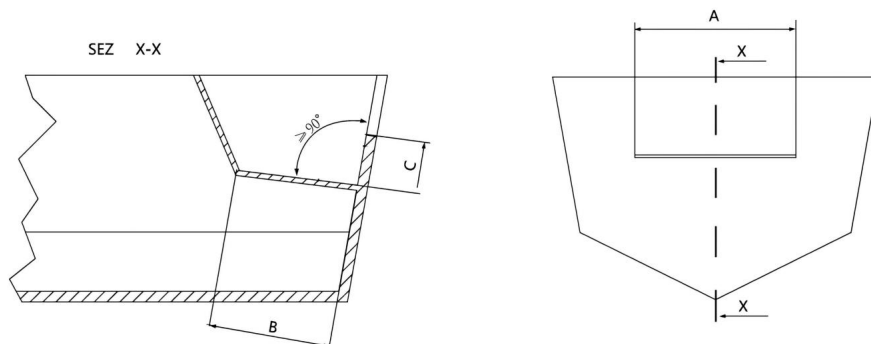
La riparazione degli accessori usurati o danneggiati può prolungare la durata utile della vostra attrezzatura.

INFORMAZIONI TECNICHE

TIPO	150 CV	300 CV-A
POMPA	Numero di serie NR150	Numero di serie NR300
ID TUBO (mm)	30	35
Diametro interno dell'asta (mm)	16	18
CORSA[mm]	200	210
PRESSIONE MASSIMA (bar)	103	69
APPLICATI ON	Fino a 150 CV	Fino a 300 CV

DIMENSIONI MINIME DEL POZZETTO DI SCARICO

Prima di tentare l'installazione, assicurarsi che il pozzetto di protezione della barca abbia seguenti dimensioni minime.

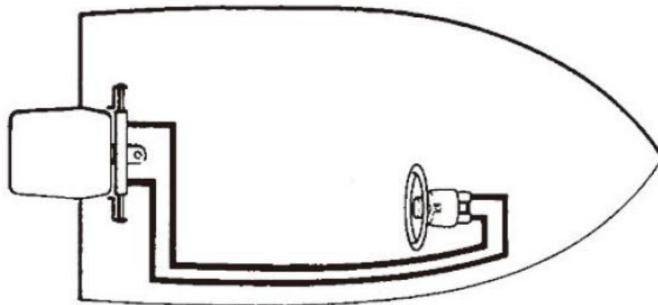


DIMENSIONI MINIME DEL POZZETTO

Numero di motori	Un(mm)	Si(mm)	C(millimetro)
1	560	152	152
2	1110	152	152

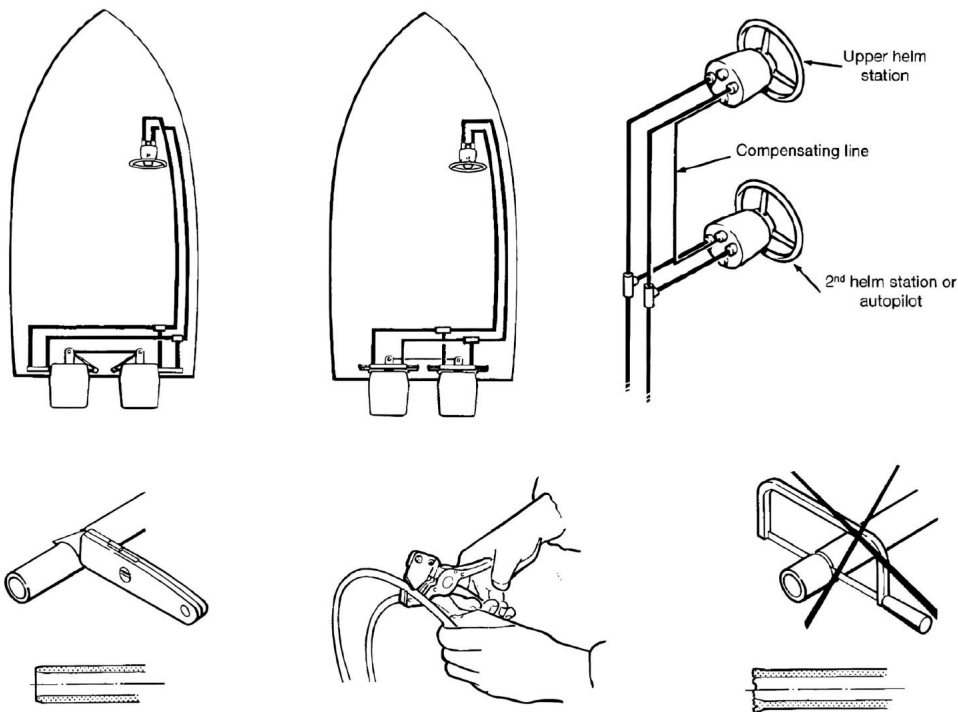
INSTALLAZIONE TUBI / RACCORDI-POMPA CONNESSIONE

Fare riferimento alle illustrazioni sottostanti per il corretto collegamento dei tubi flessibili dalla pompa del timone a cilindro.



Per NR150/NR300

Collegamento del tubo flessibile



Si consiglia di utilizzare esclusivamente tubi flessibili dello sterzo VEVOR.

Cercare sempre di instradare i tubi flessibili attraverso il percorso più breve per evitare qualsiasi possibile perdita di potenza. Per facilitare lo spurgo dell'aria del sistema, è si consiglia di montare i tubi in orizzontale con un'inclinazione di circa 3 cm per contatore; il lato pompa deve essere più alto del lato cilindro.

Proteggere sempre i tubi che devono passare attraverso un compartimento diverso o utilizzare connettori paratia o manicotti idonei.

I tubi devono essere installati in modo tale da non rappresentare un ostacolo per gli altri componenti.

Non rimuovere le coperture terminali di protezione finché i tubi flessibili non sono stati instradati e sono pronto per essere collegato alla pompa del timone, al raccordo del tubo flessibile o al/ai cilindro/i dello sterzo.

Fornire lunghezze di tubo sufficienti per consentire il movimento del cilindro durante l'intero arco di sterzata e impostazioni di assetto/inclinazione su/giù del/dei motore/i.

Durante l'installazione del tubo, assicurarsi che i cappucci protettivi rimangano installati su l'estremità dei tubi.

Attenzione:

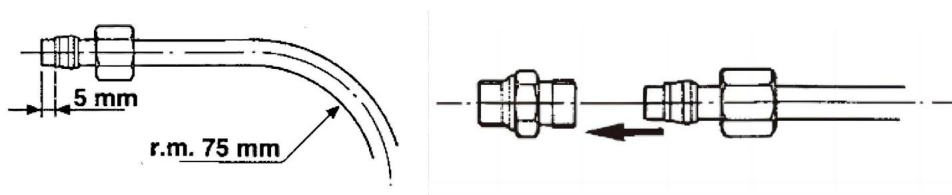
Non installare i tubi in un'area in cui saranno esposti a calore elevato, estremo
il calore riduce la pressione di scoppio del tubo e può causare la fusione del tubo, Esercitare
una grande pulizia. Assicurarsi che tubi e tubi flessibili siano perfettamente puliti
e privo di trucioli.

Nota:

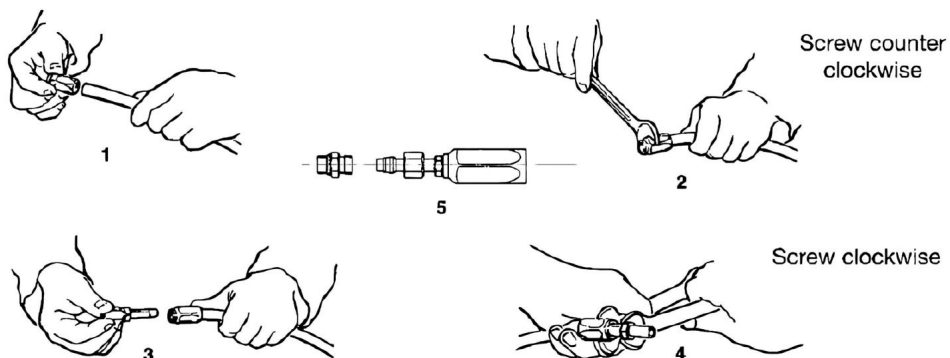
I tubi flessibili devono essere tagliati con un coltello affilato; non usare mai una sega, poiché
frammenti di nylon nel sistema idraulico causano gravi problemi

INSTALLAZIONE TUBI FLESSIBILI IDRAULICI

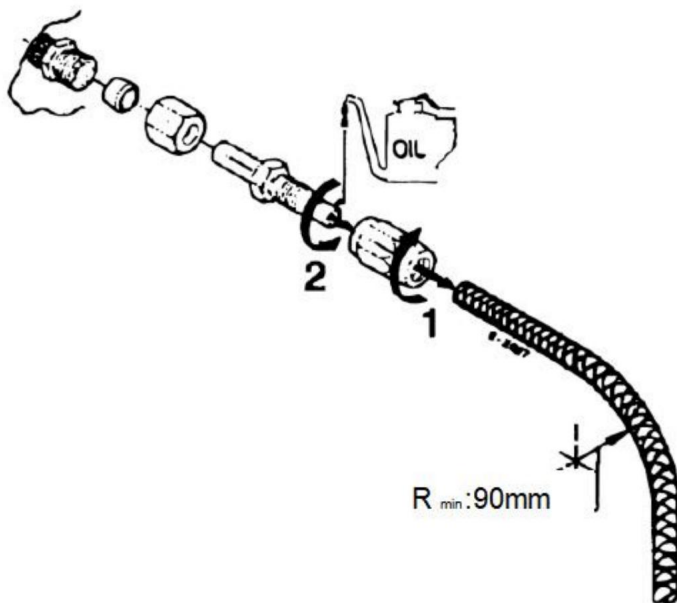
Dopo aver tagliato il tubo di nylon, montare il dado di raccordo e il manicotto di supporto sul tubo
(controllare che sia correttamente in relazione all'estremità del tubo). Dopo il montaggio del dado,
bisogna stringere con una chiave inglese.



**Altrimenti, puoi montare un tubo flessibile con raccordi riciclabili. Fai come il
come mostrato nelle illustrazioni sottostanti.**



Dopo l'installazione pulire l'interno dei tubi soffiando con
aria compressa, per evitare ostruzioni e rimuovere polvere e detriti
dallo stoccaggio. Prima dello spurgo dell'aria si consiglia inoltre di effettuare un risciacquo del
sistema. Non usare acqua.

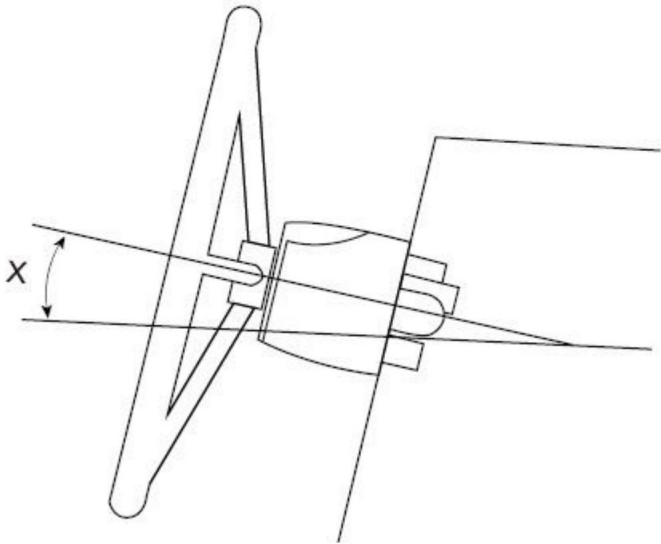


1. Dopo il taglio, avvitare il manicotto di accoppiamento del tubo sul tubo (manicotto sinistro filo).
2. Oliare il raccordo del tubo e avvitarlo nel manicotto. Assicurarsi che la parte interna la guaina del tubo non deve seguire durante il serraggio della vite! Assicurarsi inoltre che la guaina interna del tubo non venga schiacciata durante il serraggio della vite.
3. Verificare che non vi siano interferenze interne inserendo un piccolo cacciavite nel tubo collegamento prima di procedere all'installazione del tubo flessibile sul timone o sul cilindro.

SISTEMA DI DIREZIONE IDRAULICA NR150/ INSTALLAZIONE NR300

Strumenti di installazione (Per completare l'installazione di questo sistema, è necessario seguenti strumenti):

Punta da trapano da 9 mm	Chiave di installazione E.17mm
Chiave di montaggio B.30mm	Chiave di installazione F.12mm
Chiave di installazione da C.11mm	Chiave a bussola da 24 mm
Chiave di installazione D.19mm	



Importante:

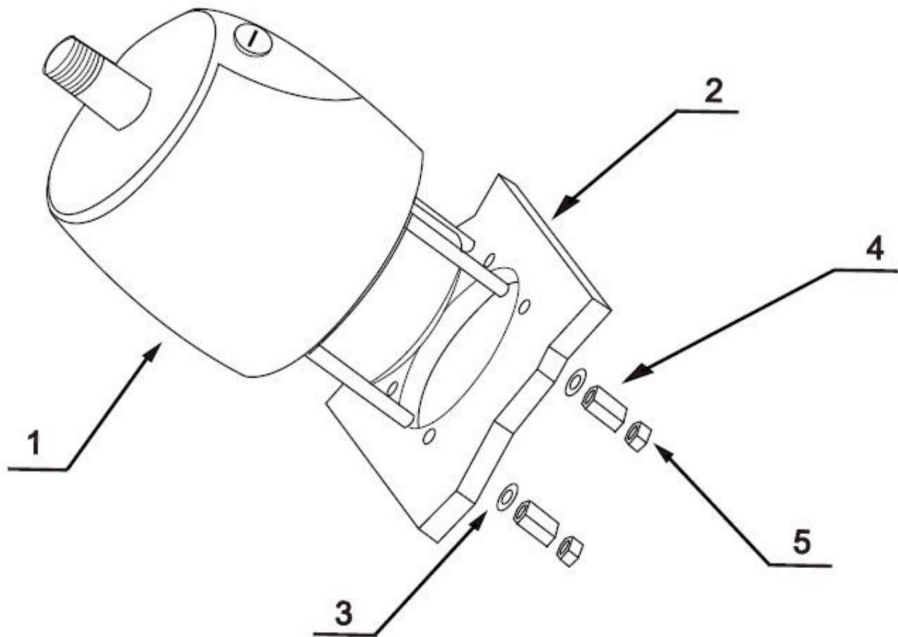
eseguire la procedura di spurgo manualmente e con la pompa del timone inclinata non più di 20 gradi (X).

Installazione pompa sterzo NR300:

Determinare l'angolazione e la posizione in cui si sta installando per garantire che lo sterzo wheel non interferisca con altre apparecchiature. Controllare che ci sia ancora sufficiente spazio dietro il cruscotto di comando (2) per raccordi e tubazioni.

Se non sono stati aperti fori di installazione nel cruscotto, fare riferimento alla foratura modello nell'allegato e aprire i fori nelle posizioni appropriate.

RIF.	DESCRIZIONE	Quantità
1	Pompa	1
2	Asse	1
3	Spessore	4
4	Dado antistrappo	4
5	Controdado	4



• Collegare un modello di montaggio del foro di accesso 1: 1 (incluso nel presente manuale) al cruscotto e posizionare il foro di montaggio come di serie con una fresa.

• Forare un foro di 77 mm di diametro e praticare quattro fori di 9 mm di diametro come mostrato nella figura modello di montaggio.

• Instradare il tubo disposto attraverso il foro centrale da 77 mm di diametro e collegarlo alla pompa dello sterzo(1).

• Installare la pompa dello sterzo sul cruscotto con 4 rondelle (3) e 4

dadi antistrappo (4), 4 dadi di bloccaggio (5), coppia di serraggio $\dot{\gamma}$ 15 N.

• Lubrificare la sezione conica dell'albero. Installare la chiave semicircolare. Posizionare la volante nella direzione dell'albero e la chiavetta del volante sulla chiave semicircolare. Posizionare il distanziale e serrare il dado di bloccaggio dello sterzo, il serraggio la coppia è $\dot{\gamma}$ 20 N.

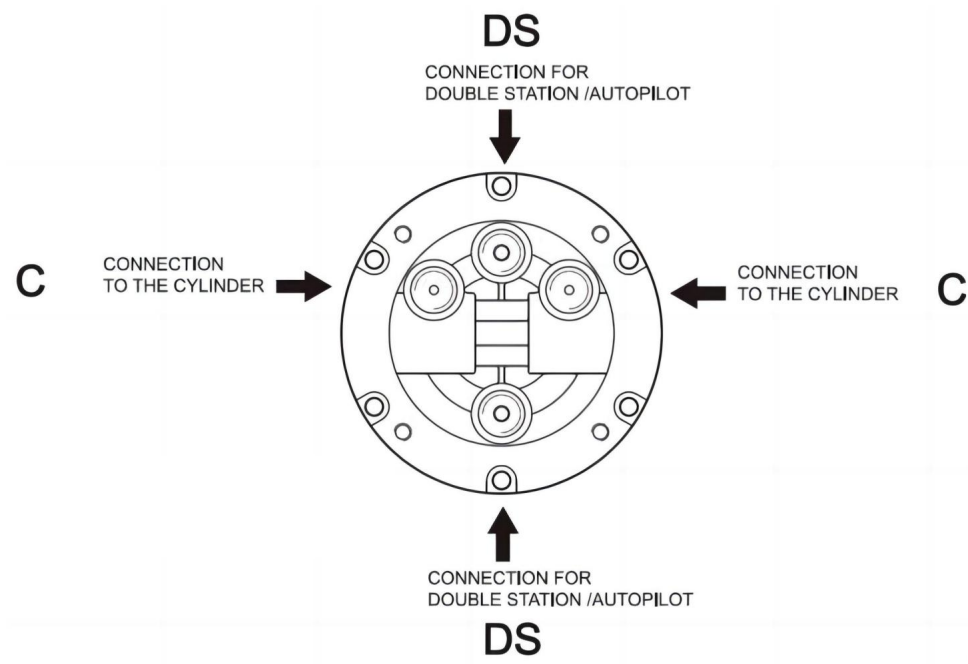
Nota:

• La pompa dello sterzo deve essere montata con un angolo di inclinazione di X 20 gradi. Se è superato, potrebbe causare l'ingresso di aria nel condotto e compromettere il funzionamento dello sterzo.

ÿ Utilizzare solo elementi di fissaggio autobloccanti forniti da VEVOR o elementi di fissaggio standard. L'utilizzo di elementi di fissaggio non autobloccanti potrebbe causare l'allentamento o la separazione dell'attrezzatura.

ÿ Non aprire il coperchio della pompa o il tappo di riempimento durante l'installazione della pompa dello sterzo per evitare che sporcizia e trucioli entrino nella pompa e compromettano il funzionamento dello sterzo.

ÿ Le guarnizioni a nastro tipo Teflon non possono essere utilizzate sui raccordi dei tubi, poiché ciò potrebbe causare l'ingresso di schegge di nastro nel corpo della pompa e quindi compromettere la funzione di sterzo. (La serie VEVOR è una tecnologia di sigillatura delle filettature dei tubi che non richiede l'uso di altre guarnizioni a nastro di tenuta.)



COLLEGAMENTO DELLE PORTE DELLA VALVOLA:

Porta contrassegnata con "C" per i collegamenti al/i cilindro/i

Porta contrassegnata "DS"connessioni alla stazione aggiuntiva o al pilota automatico

INSTALLAZIONE CILINDRO 300HP

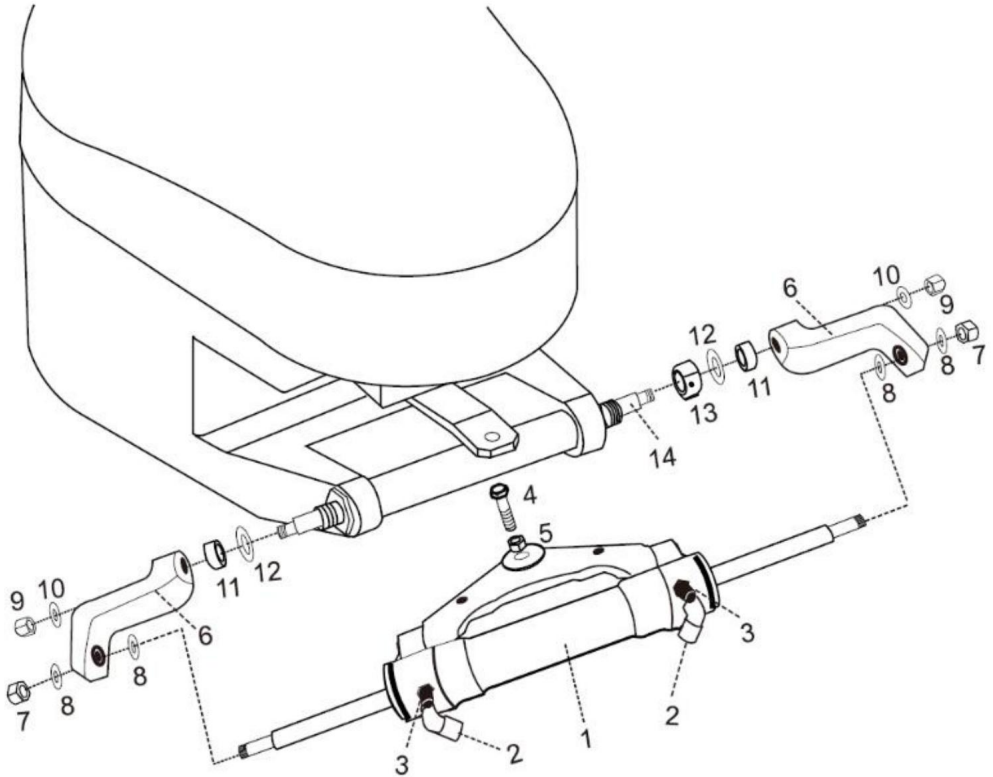
⚠️ AVVERTIMENTO:

È importante controllare periodicamente, almeno ogni 3 mesi (o ogni mese per usi professionali), la coppia corretta di questo bullone e del controdamo.

Il braccio del cilindro dovrebbe essere attaccato al braccio del timone del motore sulla maggior parte delle marche di fuoribordo. nel caso in cui il timone interferisca con altre parti del fuoribordo, allora può essere montato sotto il timone.

⚠️ AVVERTIMENTO:

Per installare i raccordi del tubo flessibile, rimuovere i tappi rossi.



RIF.	DESCRIZIONE	QTY	RIF.	DESCRIZIONE	Quantità
1	Cilindro	1	8	Guarnizione della staffa	4
2	Connettore per tubo flessibile	2	9	Asta di montaggio dado autobloccante	2
3	Connettore di sfiato	2	10	Rondella autobloccante 2	
4	Bullone di collegamento 3/8-24	1	11	Guarnizione in acciaio inox	2

5	Dado di bloccaggio 3/8-24	1	12	Tampone di regolazione dello spazio	2
6	Supporto cilindro	2	13	Dado di regolazione della distanza	1
7	Dado autobloccante stelo pistone 2		14	Asta di montaggio	1

ÿ Prima di provare l'installazione, controlla se il tuo motore è adatto a questo tipo di cilindro e assicurati che lo spazio della tua poppa sia di dimensioni sufficienti per installazione.

ÿ Prima dell'installazione, lubrificare le parti di collegamento mobili del motore e il cilindro e lo stelo del pistone con lubrificante marino qualificato, e raddrizzare il motore in posizione centrale;

ÿ Allentare i dadi autobloccanti (7) (9) su entrambe le estremità dello stelo del pistone del cilindro e l'asta di montaggio e rimuovere l'asta di montaggio (14), la rondella in acciaio inossidabile (12), il blocco di regolazione del gioco (11) e il dado di regolazione del gioco (13), dopo aver rimosso il accessori, installare l'asta di montaggio (14) nel foro di montaggio del motore (come mostrato sopra);

ÿ Rimuovere il bullone (4) nel foro centrale della staffa della piastra triangolare del cilindro, regolare l'angolazione del motore, corrispondere al foro sul collegamento del motore piastra, utilizzare bulloni (4) e dadi (5) per fissare la piastra triangolare del cilindro al motore. Pagare attenzione all'oscillazione sinistra e destra della macchina per garantire che il cilindro non interferisca con il movimento del motore dopo l'installazione.

ÿ Regolare l'angolazione del motore e la lunghezza di estensione dell'asta del pistone del cilindro. Installare le due staffe del cilindro (6), il dado di regolazione della distanza (13), il guarnizione in acciaio inossidabile (12) e il blocco di regolazione della distanza (11) allo stelo del pistone e l'asta di montaggio correttamente in base allo spazio tra il motore e il cilindro. (Vedi foto sopra)

ÿ Dopo aver completato l'installazione, il dado di regolazione della distanza (13) deve essere ruotato a sinistra e bloccato per eliminare lo spazio di corsa del cilindro. Facendo ciò migliorerà la tua esperienza d'uso.

ÿ Dopo aver completato l'installazione, spingere il motore verso sinistra e verso destra per una prova di funzionamento del cilindro. Controllare se ci sono parti di interferenza quando il cilindro scorre avanti e indietro. Se c'è interferenza, è necessario regolare nuovamente il installazione. Se non ci sono interferenze, spingere il motore fino alla fine del lato sinistro/destro limite. Il passo successivo è fare rifornimento e scaricare;

AVVERTIMENTO:

Durante l'installazione, per evitare di urtare lo stelo del pistone, è vietato colpirlo con una chiave inglese o con oggetti duri. Se lo stelo del pistone è ammaccato, si verificherà una perdita di olio idraulico dal cilindro dell'olio, compromettendo l'esperienza d'uso del prodotto.

Direzione idraulica del sistema di scarico gas:

Questa procedura di lavoro richiede l'intervento di due persone. Una persona potrebbe non essere in grado di rimuovere completamente tutta l'aria all'interno del sistema idraulico, con conseguente insufficiente pressione di uscita del sistema idraulico, con conseguente debolezza, risposta lenta e conseguente compromissione dell'esperienza con il prodotto.

Si prega di utilizzare uno speciale olio idraulico ecologico o un altro olio idraulico speciale qualificato per il rifornimento. Non utilizzare olio per freni. L'utilizzo di altri oli corrosivi non accettabili può causare danni irreparabili al sistema e comportare l'invalidazione della garanzia del prodotto.

PRECAUZIONI:

Riempiendo la pompa con fluido idraulico prima di collegare il tubo di riempimento alla pompa, la procedura di riempimento può essere eseguita più rapidamente e facilmente.

In caso di emergenza, qualsiasi olio non tossico, non corrosivo e non infiammabile può essere temporaneamente fornito al sistema, ma l'intero sistema deve essere pulito accuratamente in seguito: si prega di mantenere visibile il tubo di rifornimento durante l'intero processo di rifornimento. Non consentire all'olio di entrare nella pompa altrimenti potrebbe essere introdotta aria per aumentare il tempo di rifornimento. Durante il processo di rifornimento e scarico, l'olio idraulico raccolto dal collettore di spurgo dell'aria del cilindro può essere utilizzato direttamente dopo alcuni istanti. Si prega di proteggere l'ambiente e smaltire correttamente l'olio usato. L'olio idraulico speciale fornito dal sistema VEVOR può essere riutilizzato dopo essere stato filtrato dal filtro con diametro del foro inferiore o uguale a 38 µm.

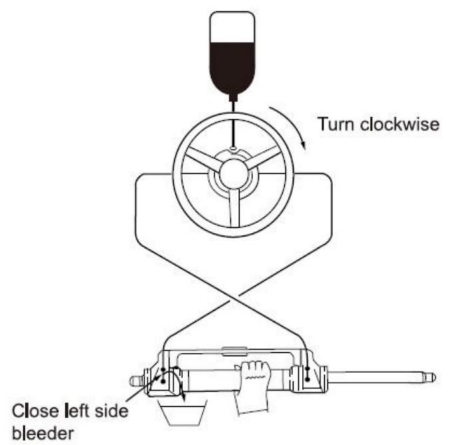
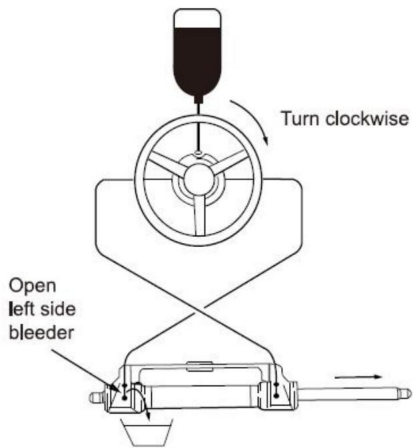
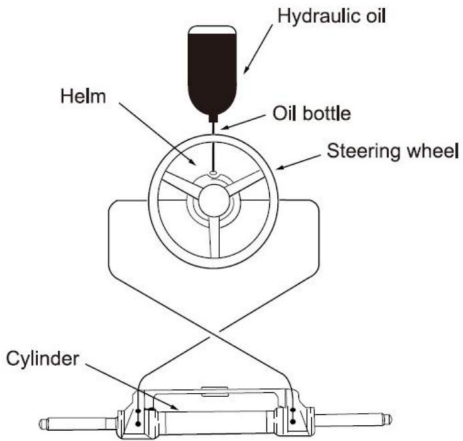
FASI DI RIEMPIMENTO E SFIATO

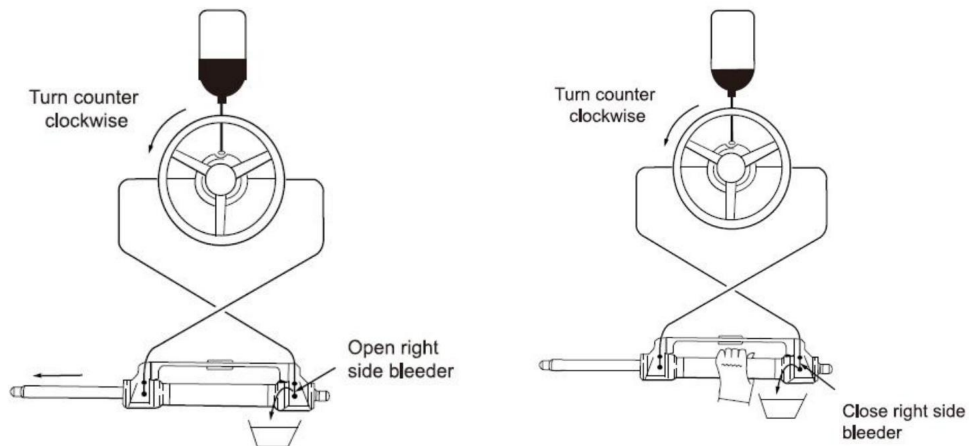
• Avvitare la filettatura del tubo di raccordo in dotazione con il sistema nella porta della pompa di alimentazione e serrare per confermare la tenuta

• Montare il supporto affilato incluso con questo sistema sul tappo della bottiglia dell'olio.

Inserire la bocca affilata nella pompa con una certa forza, versare l'olio nel tubo di riempimento del carburante fino a quando non si vede più l'aria (la bottiglia può essere schiacciata delicatamente per

accelerare il rifornimento.)





ÿ Girare lentamente il volante in senso orario fino a quando un lato dell'asta del pistone è completamente esteso. Montare il tubo di scarico sul lato di retrazione dell'asta del pistone per raccogliere l'olio dallo sfiato. ÿ

Tenere il cilindro per evitare che giri, svitare il nipplo di sgonfiaggio incastonato sul lato dello spurgo (non svitarlo) completamente, è sufficiente che si veda l'olio) girare il volante in senso orario fino a quando non vedi l'interno del tubo di scarico espulso l'olio è stabile e accurato, senza bolle, girare il volante e contemporaneamente stringere il dado di sgonfiaggio, chiudere i raccordi di scarico;

ÿ Continuare a girare il volante in senso antiorario fino a quando l'originale lato di retrazione dell'asta del pistone completamente esteso, montare il tubo di scarico sul ritrarre il lato dell'asta del pistone per raccogliere l'olio dallo sfiato. ÿ Tenere il cilindro per evitare che il cilindro giri svitare il dado del giunto di sgonfiaggio di un lato. (Non svitarlo completamente, è sufficiente come finché riesci a vedere l'olio). Gira il volante in senso orario finché non vedere che l'olio dal tubo di sgonfiaggio è stabile , niente bolle.stringere lo spurgo , chiudere i dispositivi di sgonfiaggio.

ÿ Ruotare il volante in senso orario/antiorario più volte per controllare la tabella dei parametri del numero di giri completi del timone) per determinare se il fluido idraulico nella tubazione è stato completamente escluso. Se c'è aria ferma, il numero di timoni completi aumenterà).se c'è ancora molta aria che non è escluso, quindi ripetere la procedura. Se c'è una piccola quantità di aria, fare

timone completo in una direzione. piccolo semicerchio inverso, fai di nuovo il timone completo, ripeti per 5-6 volte per la direzione sinistra e la direzione destra. ÿ Dopo aver superato il test del timone, rimuovi il tubo del carburante e il tubo di spurgo, avvita il tappo del carburante, rimetti il manicotto del connettore sgonfio, l'olio idraulico inutilizzato è chiuso per la successiva manutenzione e riparazione. (Controlla la superficie dell'olio della pompa idraulica una volta al trimestre, un livello di olio insufficiente causerà qualcosa di anomalo.)

DIFETTI E SOLUZIONI:

Di seguito sono riportati i guasti più comuni e le relative cause e soluzioni. Quando il timone ruota a pieno regime (corsa completa del cilindro), potrebbe esserci una leggera resistenza e un rumore di clic delle parti interne che proviene dalla sfera della bobina della valvola interna e dalla sfera in acciaio del cuscinetto quando sono in funzione. È un fenomeno normale. Si prega di non pensare che sia causato da guasti.

COLPA	CAUSA	SOLUZIONE
Il timone idraulico è completamente bloccato durante l'installazione.	Ostruzione del tubo tra la pompa idraulica e il cilindro idraulico.	Controllare se il tubo flessibile è ostruito o piegato. In tal caso, è necessario sostituire il tubo danneggiato, altrimenti si potrebbe verificare la perdita di sterzata e gravi lesioni personali o danni alla proprietà.
È difficile fare rifornimento il sistema, anche quando il sistema dice che il carburante è pieno, le bolle continuano a salta fuori dall'olio pompa.	C'è aria nel sistema Perdite del raccordo di spurgo Le tubazioni idrauliche presentano lesioni da avvolgimento o piegatura.	Installare correttamente il sistema secondo il manuale di installazione. Il tubo di ingresso deve essere sempre rivolto verso l'alto. Stringere i raccordi di sgonfiaggio. Srotolare e raddrizzare il tubo o sostituire il tubo danneggiato.
Quando si utilizza il sistema per sterzare, è	Le tubazioni idrauliche hanno subito lesioni piegate.	Srotolare e raddrizzare il tubo o sostituire quello danneggiato

<p>è necessario ruotare completamente timone velocemente per molte volte.</p>	<p>gas o bolle fini in l'olio idraulico.</p> <p>Olio idraulico non corretto è stato utilizzato.</p>	<p>tubo flessibile.</p> <p>Rifornire o scaricare correttamente secondo l'installazione manuale</p> <p>Utilizzare l'olio idraulico corretto.</p>
<p>Quando il sistema è timone completo, il solo volante non funziona</p>	<p>Ci sono sporcizia impurità nel valvola della pompa idraulica</p>	<p>Non utilizzare la guarnizione "a fascia" nastro all'interfaccia.</p> <p>Smontare la pompa idraulica per pulire lo sporco.</p>
<p>Il sistema può sterzare la nave facilmente quando la nave è ferma, Tuttavia, è molto difficile da guidare mentre navigazione.</p>	<p>Piccolo volante è stato selezionato.</p> <p>Il collegamento del motore è non impostato correttamente,</p> <p>L'airbag viene generato in il sistema e l'aria sono non escluso</p> <p>completamente.</p> <p>Configurazioni di sistema superare i limiti di potenza.</p>	<p>Passa a uno sterzo più grande ruota di cui il massimo il diametro è senza superare 56 cm.</p> <p>Regolare il collegamento del motore impostazioni correttamente.</p> <p>Controllare la superficie dell'olio di pompa idraulica, ripristinare il rifornimento e sfiato corretti.</p>
<p>Il volante gira a sinistra lato porto, La nave gira a destra</p>	<p>Tubo dell'olio sbagliato connessione</p>	<p>Sostituisci i due tubi dell'olio del cilindro tra loro e installarli.</p>
<p>Il cilindro non può essere installato sul motore.</p>	<p>Ogni cilindro richiede motore corrispondente modello.</p>	<p>Fare riferimento al manuale o il servizio clienti del rivenditore per cambiare modello.</p>

Quando la pompa del timone raggiunge il punto di arresto (corsa completa del cilindro), una piccola quantità della deriva idraulica è normale e la pompa del timone non è bloccata al 100%

MANUTENZIONE

AVVERTIMENTO:

Seguire i programmi di manutenzione di routine come descritto di seguito garantirà , nel lasso di tempo anni di servizio dal tuo sistema di sterzo VEVOR nonché proteggere te e i tuoi passeggeri dai pericoli presenti dentro e fuori

acqua.

La mancata osservanza dei controlli di manutenzione può causare la perdita di sterzata, causando danni alla proprietà e/o lesioni personali.

Le ispezioni sono necessarie ogni anno e devono essere eseguite da personale specializzato meccanica navale.

Controllare l'albero e gli o-ring del cilindro, gli o-ring della pompa del timone, il raccordi del cilindro e della pompa del timone per evitare perdite.

Controllare il serraggio di tutti i dispositivi di fissaggio/raccordi nell'intero sistema di sterzo.

Pulire il sistema utilizzando acqua dolce e un liquido non abrasivo.

Non utilizzare liquidi detergenti contenenti , acidi o altri ingredienti corrosivi devono ammoniaci per la pulizia di alcuna parte del sistema di sterzo idraulico.

NON utilizzare oli per freni o fluido per cambio automatico (ATE). Utilizzare solo prodotti compatibili. oli idraulici.

Prima di ogni utilizzo:

ÿ Controllare il livello del fluido nella pompa del timone più alta.

ÿ Verificare la risposta immediata dello sterzo quando si gira il/i volante/i (assicurarsi il motore gira quando si gira il volante).

ÿ Ispezionare visivamente tutti i tubi flessibili e i raccordi dello sterzo per verificare che non vi siano usura, piegature e/o perdite.

ÿ Controllare se ci sono legami o allentamenti , componenti dello sterzo usurati o che perdono.

Avvertimento :

ÿ NON utilizzare l'imbarcazione se uno qualsiasi dei suoi componenti non è in condizioni di funzionamento adeguate.

ÿ In questo caso, scattare immediatamente delle foto e contattare il rivenditore.

Dopo le prime 20 ore , poi ogni 100 ore o 6 mesi successive (a seconda di quale evento si verifica prima):

ÿ Tutti i punti sopra indicati

ÿ Controllare il serraggio di TUTTI i dispositivi di fissaggio/raccordi nell'intero sistema di sterzo. Sono necessarie le specifiche di coppia di serraggio corrette.

ÿ Controllare il gioco meccanico o l'inclinazione in tutto il sistema di sterzo, correggere come necessario.

ÿ Controllare eventuali segni di corrosione. In caso contrario, contattare il rivenditore.

Dopo ogni 200 ore o 12 mesi (a seconda di quale

viene prima):

• Tutti i punti sopra indicati.

• Rimuovere l'asta di supporto dal tubo di sterzo/inclinazione del motore. Pulire lo sterzo/inclinazione del motore tubo e ingrassare nuovamente utilizzando un grasso marino di buona qualità

• Ingrassare abbondantemente la barra di supporto.

• Ingrassare tutti i punti di contatto indicati nelle installazioni del cilindro e della barra di collegamento. FARE

NON rimuovere il bullone del timone per ingrassarlo nuovamente.

• Rimuovere il volante e ingrassare nuovamente l'albero del volante utilizzando un lubrificante marino di buona qualità.
grasso.

• Controllare la pulizia dell'olio idraulico , tirare lo sciacquone se necessario.

• Qualsiasi lavoro eseguito con il sistema di sterzo DEVE essere completato da un
meccanico qualificato con conoscenza pratica del sistema.

Produttore: Shanghai muxinmuyeyouxiangongsi

Indirizzo: Shuangchenglu 803nong11hao1602A-1609shi, baoshanqu, shanghai
200000 CN.

Importato in AUS: SIHAO PTY LTD. 1 ROKEVA STREET EASTWOOD

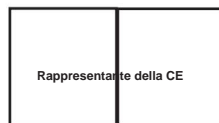
Nuovo Galles del Sud 2122 Australia

Importato negli USA: Sanven Technology Ltd. Suite 250, 9166 Anaheim
Luogo, Rancho Cucamonga, CA 91730



CONSULENZA YH LIMITATA.

C/O YH Consulting Limited Ufficio 147,
Casa del centurione, London Road,
Staines-upon-Thames, Surrey, TW18 4AX



E-CrossStu GmbH

Mainzer Landstr.69,
60329 Francoforte sul Meno.

VEVOR®

TOUGH TOOLS, HALF PRICE

**Supporto tecnico e certificato di garanzia
elettronica www.vevor.com/support**

VEVOR[®]

TOUGH TOOLS, HALF PRICE

Soporte técnico y certificado de garantía electrónica www.vevor.com/support

DIRECCIÓN HIDRÁULICA FUERA DE BORDA

SISTEMA

MODELO:NR150/NR300

Seguimos comprometidos a brindarle herramientas a precios competitivos.

"Ahorre la mitad", "mitad de precio" o cualquier otra expresión similar que utilicemos solo representa una estimación del ahorro que podría obtener al comprar ciertas herramientas con nosotros en comparación con las principales marcas y no necesariamente significa que cubra todas las categorías de herramientas que ofrecemos. Le recordamos que, al realizar un pedido con nosotros, verifique cuidadosamente si realmente está ahorrando la mitad en comparación con las principales marcas.

VEVOR[®]
TOUGH TOOLS, HALF PRICE

HIDRÁULICO FUERA DE BORDA
SISTEMA DE DIRECCIÓN

MODELO:NR150/NR300



<Imagen solo como referencia>

¿NECESITA AYUDA? ¡CONTÁCTENOS!

¿Tiene preguntas sobre el producto? ¿Necesita asistencia técnica? No dude en ponerse en contacto con

nosotros: Asistencia técnica y certificado de garantía electrónica
www.vevor.com/support

Estas son las instrucciones originales, lea atentamente todas las instrucciones del manual antes de utilizar el producto. VEVOR se reserva una interpretación clara de nuestro manual de usuario. La apariencia del producto estará sujeta al producto que recibió. Perdónenos por no informarle nuevamente si hay actualizaciones de tecnología o software en nuestro producto.

MEDIDAS DE SEGURIDAD IMPORTANTES



ADVERTENCIA: Lea y comprenda todo este manual antes de operar o reparar este producto. El incumplimiento de estas advertencias y las instrucciones pueden causar lesiones personales o daños a objetos valiosos o propiedad.

Precauciones de montaje

1. Realice el montaje únicamente de acuerdo con estas instrucciones. Un montaje incorrecto puede provocar peligros
 2. Mantenga el área de reunión limpia y bien iluminada.
 3. Mantenga a los transeúntes fuera del área durante el montaje.
 4. No se reúna cuando esté cansado o bajo la influencia del alcohol, drogas o medicamento.
 5. Las capacidades del producto se aplican únicamente a productos ensamblados de forma correcta y completa.
 6. Para obtener información adicional sobre las piezas que se enumeran en las páginas siguientes, consulte el diagrama de ensamblaje de este manual. Desenvuelva y separe todas las piezas.
- Guarde las piezas en un lugar de trabajo limpio. Mantenga las piezas de repuesto pequeñas fuera del alcance de los niños.

GUARDE ESTAS INSTRUCCIONES

Gracias por adquirir el sistema de dirección hidráulica VEVOR.

Este manual explicará las distintas funciones de este sistema para que pueda utilizarlo completamente. Experimente el disfrute premium que este producto puede brindarle.

El sistema de dirección hidráulica VEVOR se basa en el concepto de dirección industrial moderna. Diseño, la tecnología de bomba de pistón de alta eficiencia y alta potencia de transmisión es aplicado al diseño y fabricación de aparatos de gobierno de buques, lo que hace que su Sistema de dirección más estable, más inteligente y más confiable.

Los componentes principales del mecanismo de dirección son de aleación de aluminio de alta resistencia y acero inoxidable que se puede utilizar en duras condiciones marinas y prolongar la vida útil.

Longevidad del mecanismo de dirección.

El mecanismo de dirección le liberará de los mecanismos mecánicos pesados e inflexibles. Dirección por eje, que puede salvarte los brazos doloridos. Puede mejorar el placer de conduciendo una lancha rápida.

CARACTERÍSTICAS PRINCIPALES

La bomba de dirección tiene una estructura interna compacta y un diseño moderno y hermosa apariencia. La

válvula de bloqueo incorporada de dos vías elimina el torque de rebote. Fácil de reemplazar el sello del eje, diseño fácil de usar;

El eje de dirección con tratamiento de superficie especial no solo tiene resistencia y confiabilidad, pero también tiene las características de resistencia al desgaste, resistencia a la corrosión. La carcasa de aleación de aluminio de alta resistencia y el proceso de tratamiento de superficie pueden garantizar Su resistencia al desgaste y la corrosión y previenen la erosión hídrica de manera efectiva.

Tubería: Los accesorios de tubería de 1/4 de ajuste rápido de nailon de alta resistencia facilitan la instalación.

Compacto y reutilizable. El uso de

aceite hidráulico personalizado de alto estándar puede mejorar la lubricación de protección de piezas y sellos.



NORMAS GENERALES DE SEGURIDAD Y GARANTÍA

Este manual de instalación y mantenimiento es parte integral del producto y

El usuario debe comprenderlo completamente antes de la instalación.

La instalación, mantenimiento y transferencia del sistema de dirección hidráulica.

Los componentes de la serie de productos VEVOR deben ser fabricados por personal autorizado y

Técnicos profesionales calificados. La serie de productos VEVOR implementa la

garantía de dos años de servicio postventa, al utilizar el producto, si hay alguna

Si tiene alguna pregunta o problema, comuníquese con el distribuidor a tiempo. VEVOR le proporcionará la

orientación correcta. VEVOR no se hará responsable de las consecuencias de

desmontaje o desmontaje no autorizado.

Sin perjuicio de la naturaleza del producto, VEVOR se reserva el derecho de realizar

cambios en la descripción, información e ilustraciones contenidas en este manual VEVOR no asume

ninguna responsabilidad por las consecuencias adversas causadas

Copiando este manual por cualquier otro medio ilegal que impida al usuario seguirlo.

Las instrucciones de instalación estándar.

PRECAUCIONES DE INSTALACIÓN

Utilice únicamente componentes proporcionados por VEVOR. Las piezas suministradas por otros fabricantes artículos

puede causar riesgos de seguridad y afectar la función de dirección;

En todas las roscas de conexión de tuberías, solo se deben utilizar sellos como Loctite PST o equivalentes. Se debe utilizar sellador. No utilice cintas de sellado (bandas) ni similares, ya que esto puede permitir que entren residuos en el cuerpo de la bomba y provoquen el bloqueo de la tubería.

Utilice aceite hidráulico especial de calibre 10 o 15 que esté calificado y Respetuoso con el medio ambiente. El uso de otro aceite (como aceite de frenos) puede provocar daños irreparables a su equipo, causando pérdida de la función de dirección y no garantía.

El radio mínimo de curvatura de la tubería es de 1"18 (30CM). No toque la objetos afilados. Doblar, frotar, rayar o torcer continuamente puede provocar que La tubería puede dañarse y romperse debido a la presión normal de la dirección, lo que provoca pérdida de la función de dirección.

No deje que la tubería caiga libremente durante el uso, utilice alambre u otro material de PVC. material a fijar, a fin de evitar posibles riesgos de seguridad.

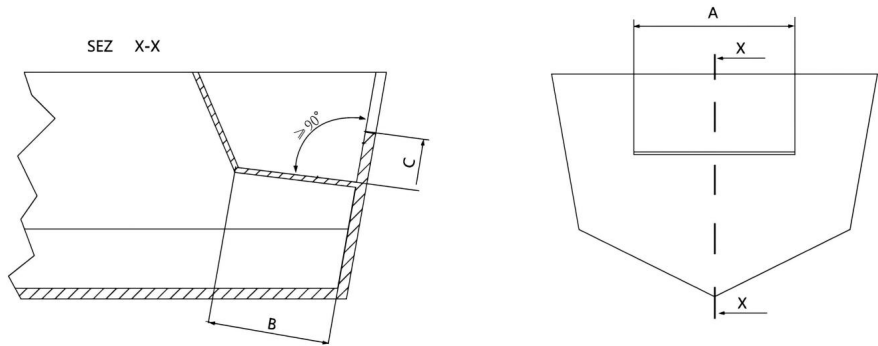
Mantenimiento periódico de los componentes del sistema e inspección de tuberías y La revisión de accesorios por desgaste o daños puede prolongar la vida útil de su equipo.

INFORMACIÓN TÉCNICA

TIPO	150 caballos	300 HP-A
BOMBA	NR150	NR300
Diámetro interior del tubo (mm)	30	35
Diámetro interior de la varilla (mm)	16	18
CARRERA[mm]	200	210
PRESIÓN MÁXIMA (bar)	103	69
APLICAR HOMBRE	Hasta 150 CV	Hasta 300 CV

DIMENSIONES MÍNIMAS DEL POZO DE SALPICADURAS

Antes de intentar la instalación, asegúrese de que el pozo de protección contra salpicaduras de su embarcación tenga la siguientes dimensiones mínimas.

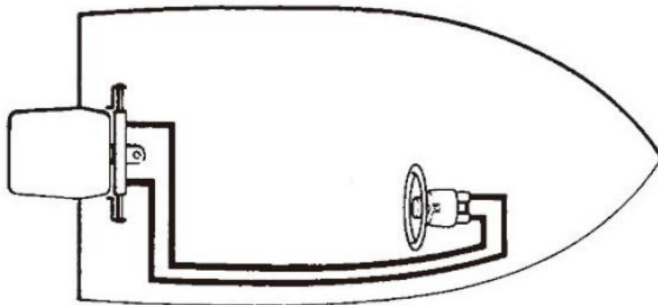


DIMENSIONES MÍNIMAS DEL POZO DE SALPICADURAS

Número de motores	A(mm)	B(mm)	C(mm)
1	560	152	152
2	1110	152	152

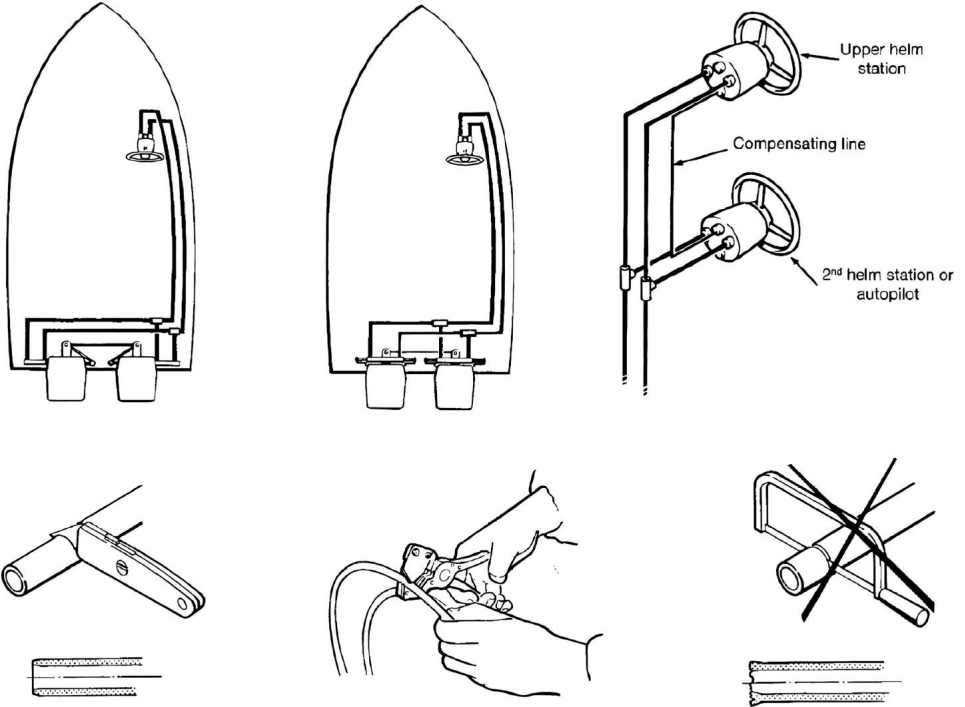
INSTALACION DE MANGUERAS/ACCESORIOS-BOMBA CONEXIÓN

Consulte las ilustraciones a continuación para ver la conexión correcta de las mangueras de la bomba del timón a cilindro.



Para NR150/NR300

Conexión de manguera



Recomendamos el uso exclusivo de mangueras de dirección VEVOR.

Intente siempre pasar las mangueras por el camino más corto para evitar posibles daños. pérdida de potencia. Para facilitar la purga de aire del sistema, es

Se recomienda montar las mangueras horizontalmente con una inclinación de unos 3 cm por medidor; el lado de la bomba debe estar más alto que el lado del cilindro.

Proteja siempre las mangueras que tengan que pasar por un compartimento diferente o Utilice conectores de mamparo o manguitos adecuados.

Las mangueras deben instalarse de tal manera que no representen un obstáculo para otras Componentes.

No retire las cubiertas protectoras de los extremos hasta que las mangueras hayan sido colocadas y estén Listo para ser conectado a la bomba del timón, al conector de la manguera o al (los) cilindro(s) de dirección.

Proporcionar longitudes de manguera suficientes para permitir el movimiento del cilindro en todo el arco de giro y ajustes de inclinación y ajuste hacia arriba y hacia abajo del(los) motor(es).

Durante la instalación de la manguera, asegúrese de que las tapas protectoras permanezcan instaladas el extremo de las mangueras.

Atención:

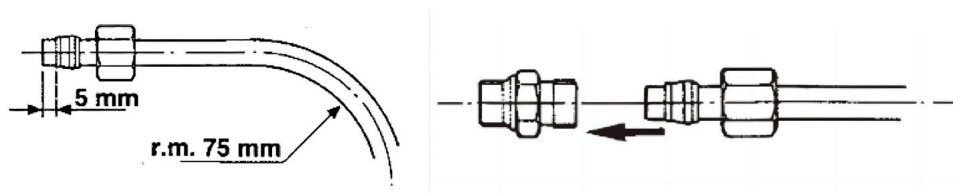
No instale mangueras en un área donde estarán expuestas a altas temperaturas, temperaturas extremas. El calor reduce la presión de rotura de la manguera y puede hacer que se derrita. Mantenga una limpieza minuciosa. Asegúrese de que las tuberías y las mangueras estén perfectamente limpias, y libre de virutas.

Nota:

Las mangueras flexibles deben cortarse con un cuchillo afilado; nunca utilice una sierra, ya que Fragmentos de nailon en el sistema hidráulico provocan graves problemas

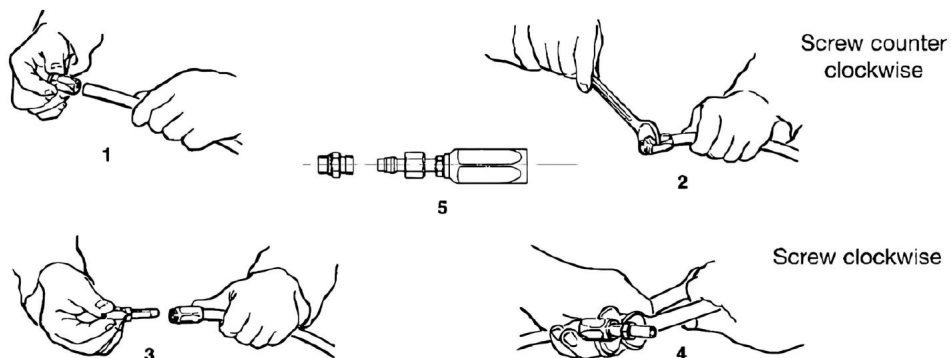
INSTALACIÓN DE MANGUERA HIDRÁULICA

Después de cortar la manguera de nailon, coloque la tuerca de acoplamiento y el manguito de soporte en la manguera. (verificar que esté bien colocada en relación con el extremo de la manguera). Después de montar la tuerca, hay que apretarla con una llave.



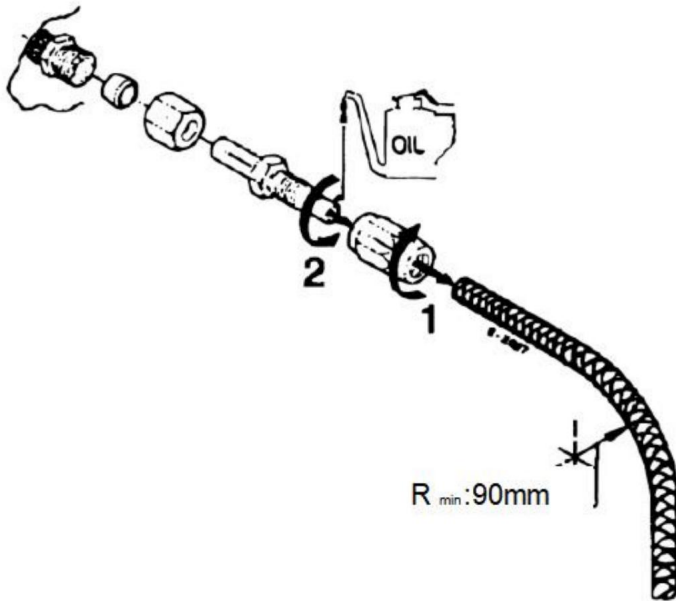
De lo contrario, puede montar una manguera flexible con accesorios reciclables. Haga lo siguiente:

Las ilustraciones a continuación lo muestran.



Después de la instalación, limpie el interior de las mangueras soplando con Aire comprimido, para evitar obstrucciones y eliminar polvo y residuos.

del almacenamiento. Antes de purgar el aire también se recomienda hacer un enjuague del sistema. No utilice agua.

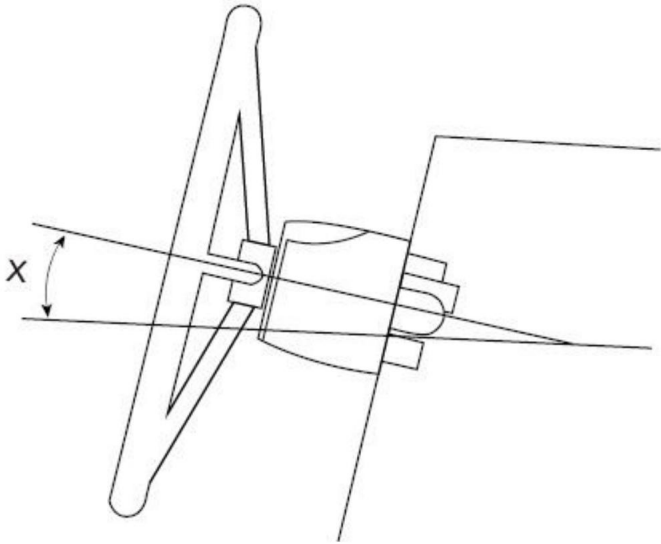


1. Después de cortar, atornille el manguito de acoplamiento del tubo en el tubo (hacia la izquierda) hilo).
2. Engrase el acoplamiento del tubo y enrósquelo en el manguito. Asegúrese de que el interior ¡No se debe seguir el revestimiento del tubo mientras se aprieta el tornillo! También asegúrese que el revestimiento interno del tubo no quede aplastado al apretar el tornillo.
3. Compruebe que no haya interferencias internas colocando un pequeño destornillador en el tubo. Acoplamiento antes de proceder con la instalación de la manguera al timón o al cilindro.

SISTEMA DE DIRECCIÓN HIDRÁULICA NR150/ INSTALACIÓN DEL NR300

Herramientas de instalación (Para completar la instalación de este sistema, necesita las siguientes herramientas):

Broca de 9 mm	Llave de instalación de 17 mm
Llave de montaje B.30 mm	Llave de instalación F.12 mm
Llave de instalación de 11 mm de diámetro.	Llave de tubo G.24 mm
Llave de instalación de 19 mm de diámetro	



Importante:

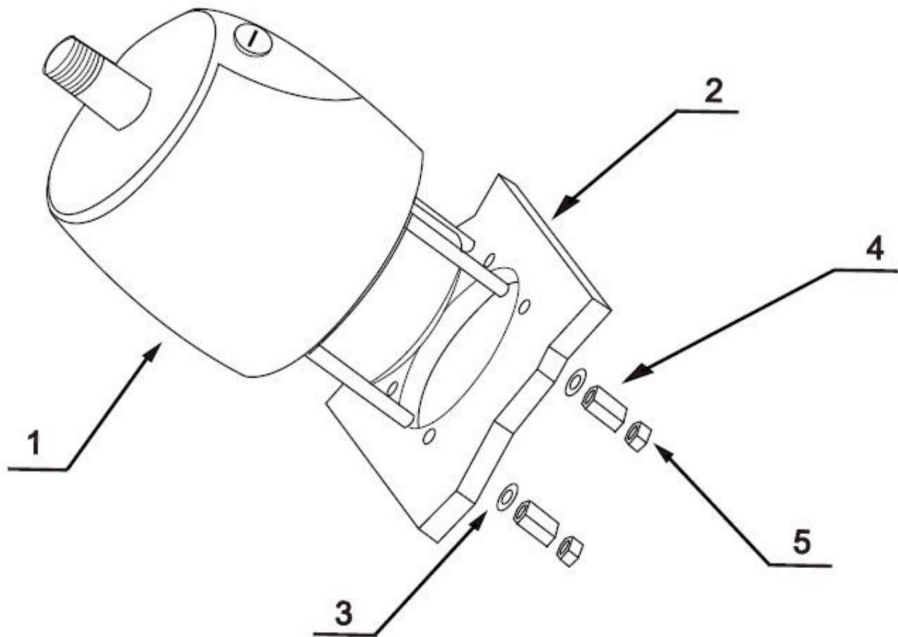
Realice el procedimiento de purga manualmente y con la bomba del timón inclinada. no más de 20 grados (X).

Instalación de la bomba de dirección NR300:

Determine el ángulo y la posición en que está instalando para asegurarse de que la dirección donde no interfiera con otros equipos. Verifique que aún haya suficiente Espacio detrás del tablero del puente (2) para conexiones de montaje y tuberías.

Si no se han abierto orificios de instalación en el panel de instrumentos, consulte la sección de perforación. Plantilla en el accesorio y agujeros abiertos en las posiciones apropiadas.

Desiste.	DESCRIPCIÓN	CANTIDAD
1	Bomba	1
2	Junta	1
3	Calce	4
4	Tuerca de alivio de tensión	4
5	Tuerca de seguridad	4



Coloque una plantilla de montaje de orificio de acceso 1: 1 (incluida con este manual) panel de instrumentos y coloque el orificio de montaje como estándar con un cortador de agujeros.

Perfore un orificio de 77 mm de diámetro y perfore cuatro orificios de 9 mm de diámetro como se muestra en la Plantilla de montaje.

Pase el tubo dispuesto a través del orificio central de 77 mm de diámetro y Conéctelo a la bomba de dirección (1).

Instale la bomba de dirección en el panel de instrumentos con 4 arandelas (3) y 4 tuercas de alivio de tensión (4), 4 tuercas de seguridad (5), par de apriete ≤ 15 N.

Lubrique la sección cónica del eje. Instale la chaveta semicircular. Coloque la volante en el eje de dirección y la chaveta del volante en el llave semicircular. Coloque la cuña y apriete la tuerca de seguridad de la dirección, el apriete

El par es ≤ 20 N.

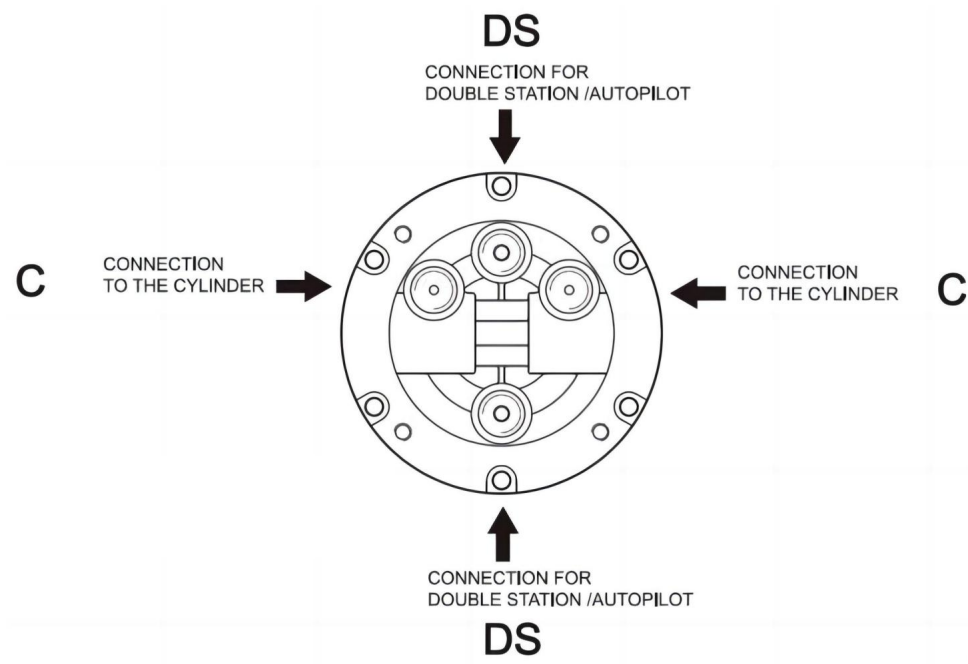
Nota:

La bomba de dirección debe montarse en un ángulo de inclinación de X 20 grados. Si es excedido. Puede provocar que entre aire en el conducto y afectar la función de dirección.

Utilice únicamente sujetadores autoblocantes proporcionados por VEVOR o sujetadores estándar. El uso de sujetadores no autoblocantes en su lugar puede provocar que el equipo se afloje o se separe.

No abra la tapa de la bomba ni la tapa de llenado al instalar la bomba de dirección para evitar que entre suciedad y virutas en la bomba y provoquen el funcionamiento de la dirección.

No se pueden utilizar sellos de cinta tipo teflón en las boquillas de las tuberías, ya que pueden provocar que las virutas de la cinta entren en el cuerpo de la bomba y afecten así la función de dirección. (La serie VEVOR es una tecnología de sellado de roscas de tuberías que no requiere el uso de otros sellos de cinta de sellado).



CONEXIÓN DE PUERTOS DE VÁLVULA:

Puerto marcado con "C" para conexiones al/los cilindro/s

Puerto marcado "DS" conexiones a la estación adicional o piloto automático

INSTALACION DE CILINDRO 300HP

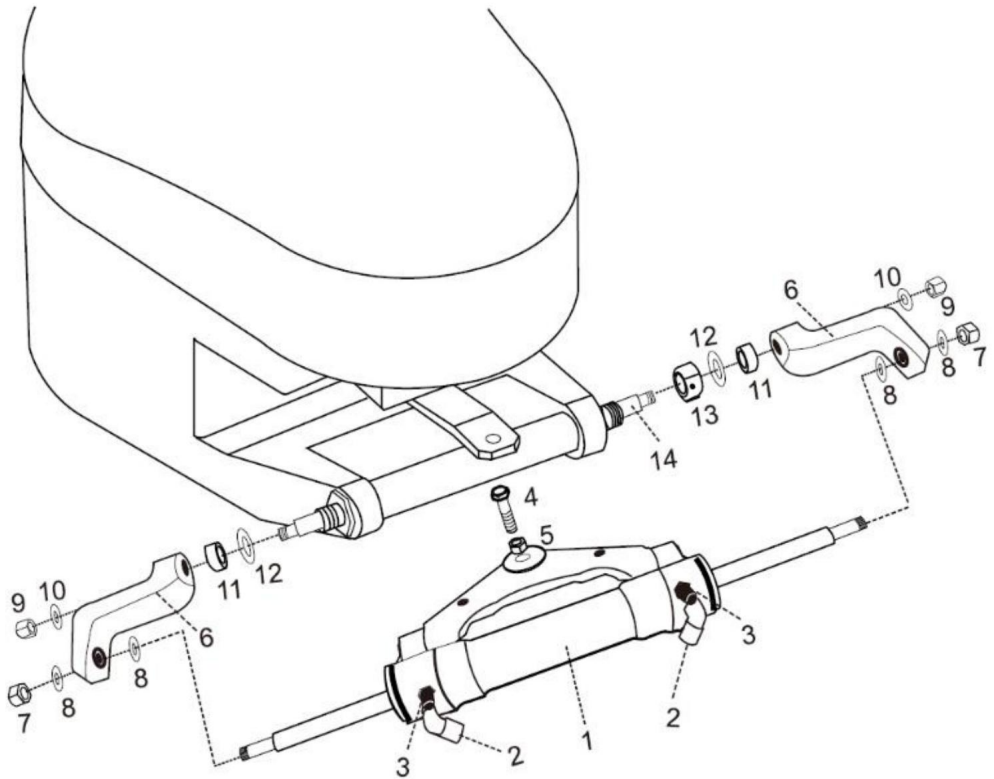
⚠️ ADVERTENCIA:

Es importante realizar una revisión periódica, al menos cada 3 meses (o cada mes para usos profesionales), el par correcto de este perno y de la contratuerca.

El brazo del cilindro debe estar unido al brazo del timón del motor en la mayoría de las marcas de fuerabordas. En caso de que el timón interfiera con otras partes del motor fueraborda, Se puede montar debajo del timón.

⚠ ADVERTENCIA:

Retire las tapas rojas para instalar los accesorios de la manguera.



Desiste.	DESCRIPCIÓN	CANTIDAD	RIF.	DESCRIPCIÓN	CANTIDAD
1	Cilindro	1	8	Junta de soporte	4
2	Conector de manguera	2	9	Varilla de montaje tuerca autoblocante	2
3	Conector de ventilación	2	10	Arandela de tuerca autoblocante 2	
4	Perno de conexión de 3/8-24	1	11	Junta de acero inoxidable	2

5	Tuerca de seguridad 3/8-24	1	12	Almohadilla de ajuste de espacio	2
6	Soporte de cilindro	2	13	Tuerca de ajuste de espacio	1
7	Tuerca autoblocante del vástago del pistón	2	14	Varilla de montaje	1

Antes de intentar instalarlo, verifique si su motor es adecuado para esto.

tipo de cilindro y asegúrese de que el espacio en la tabla de popa sea del tamaño suficiente para instalación.

Antes de la instalación, lubrique las piezas de conexión móviles del motor. y el cilindro y el vástago del pistón con lubricante marino calificado, y enderece su motor a la posición media;

Afloje las tuercas autoblocantes (7) (9) en ambos extremos del vástago del pistón del cilindro y la varilla de montaje y retire la varilla de montaje (14), la arandela de acero inoxidable (12), el bloque de ajuste de holgura (11) y la tuerca de ajuste de holgura (13). Después de quitar la varilla de montaje, accesorios, instale la varilla de montaje (14) en el orificio de montaje del motor (como mostrado arriba);

Retire el perno (4) en el orificio central del soporte de la placa triangular del cilindro, ajuste el ángulo del motor, que corresponda al orificio en la conexión del motor.

placa, utilice pernos (4) y tuercas (5) para fijar la placa triangular del cilindro al motor.

Preste atención al giro hacia la izquierda y hacia la derecha de la máquina para asegurarse de que el cilindro no interfiera con el movimiento del motor después de la instalación.

Ajuste el ángulo del motor y la longitud de extensión del vástago del pistón del Cilindro. Instale los dos soportes del cilindro (6), la tuerca de ajuste de espacio (13), el Junta de acero inoxidable (12) y el bloque de ajuste de espacio (11) al vástago del pistón y la varilla de montaje correctamente de acuerdo con el espacio entre el motor y el Cilindro.(Ver imagen arriba)

Una vez finalizada la instalación, la tuerca de ajuste del espacio (13) debe girado hacia la izquierda y bloqueado para eliminar el espacio libre del cilindro. Al hacer eso Mejorará su experiencia de uso.

Una vez completada la instalación, empuje el motor hacia la izquierda y hacia la derecha para Realice una prueba de funcionamiento del cilindro. Compruebe si hay piezas que interfieran al El cilindro se mueve hacia adelante y hacia atrás. Si hay interferencias, es necesario reajustar el Instalación. Si no hay interferencias, empuje el motor hasta el final del recorrido izquierdo/derecho. límite. El siguiente paso es repostar y agotar;



ADVERTENCIA:

Durante la instalación, para evitar golpear el vástago del pistón, está prohibido golpearlo con una llave o cualquier cosa dura. Si el vástago del pistón se golpea, provocará una fuga de aceite hidráulico del cilindro de aceite, lo que comprometerá su experiencia con el producto.

Dirección hidráulica del sistema de escape de gases:

Este procedimiento de trabajo requiere dos personas para operar. Es posible que una persona no pueda eliminar por completo todo el aire dentro del sistema hidráulico, lo que provoca que la presión de salida del sistema hidráulico no sea suficiente, lo que genera debilidad, respuesta lenta y afecta su experiencia con el producto.

Utilice aceite hidráulico ecológico especial u otro aceite hidráulico especial calificado para reabastecer combustible. No utilice aceite de frenos. El uso de otro aceite corrosivo inaceptable puede causar daños irreparables a su sistema y hacer que el producto no pueda cubrir la garantía.

PRECAUCIONES:

Si llena la bomba con líquido hidráulico antes de conectar el tubo de llenado a la bomba, el procedimiento de llenado se puede realizar de forma más rápida y sencilla.

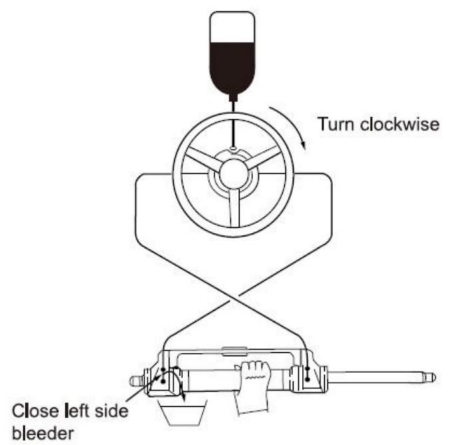
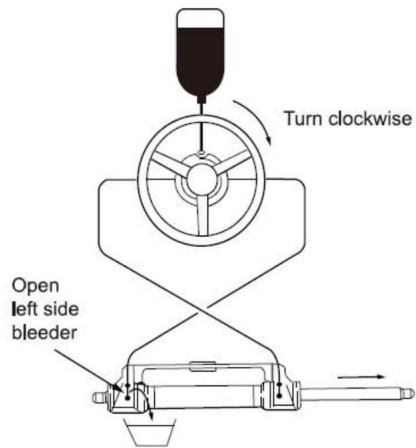
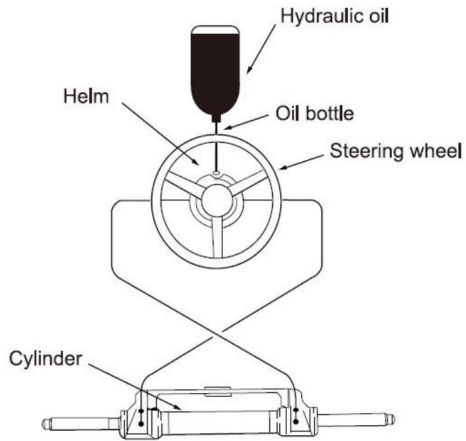
En caso de emergencia, se puede suministrar temporalmente al sistema cualquier aceite no tóxico, no corrosivo y no inflamable, pero todo el sistema debe limpiarse a fondo después: Mantenga el tubo de reabastecimiento de combustible visible durante todo el proceso de reabastecimiento de combustible. No permita que entre aceite en la bomba. De lo contrario, se puede introducir aire y aumentar el tiempo de reabastecimiento de combustible. Durante el proceso de reabastecimiento de combustible y vaciado, el aceite hidráulico recolectado del colector de purga de aire del cilindro se puede usar directamente después de unos momentos. Proteja el medio ambiente y deseche adecuadamente el aceite usado. El aceite hidráulico especial proporcionado por el sistema VEVOR se puede reutilizar después de ser filtrado por el filtro con un diámetro de orificio menor o igual a 38 um.

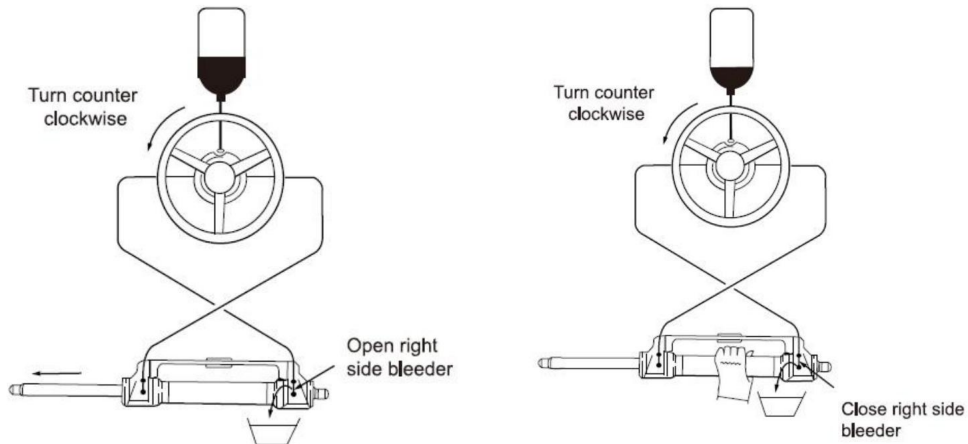
PASOS PARA RELLENO Y VENTILACIÓN

Enrosque la rosca del tubo de filete equipada con el sistema en el puerto de la bomba de combustible y apriete para confirmar que esté

hermético Coloque el soporte afilado incluido con este sistema en la tapa de la botella de aceite. Inserte la boca afilada en la bomba con algo de fuerza, vierta el aceite en el tubo de llenado de combustible hasta que no pueda ver el aire (la botella se puede apretar suavemente para

acelerar la recarga.)





Gire el volante lentamente en el sentido de las agujas del reloj hasta que un lado del vástago del pistón está completamente extendido. Coloque el tubo de escape en el lado de retracción del vástago del pistón para Recoja el aceite de la ventilación.

Sujete el cilindro para evitar que gire, desenrosque el Boquilla de desinflado anidada en el costado del purgador (no la desenrosque). completamente, basta con que se vea el aceite) girar el volante en el sentido de las agujas del reloj hasta que vea que el aceite expulsado por el interior del tubo de escape está estable y a fondo, sin burbujas, gira el volante al mismo tiempo que aprietas la tuerca de desinflado, cierra los accesorios de escape;

Continúe girando el volante en sentido antihorario hasta que la dirección original lado de retracción del vástago del pistón completamente extendido, Coloque el tubo de escape en el retraiga el lado del vástago del pistón para recolectar el aceite que se ventila.

Sujete el cilindro para evitar que gire, desenrosque el Tuerca de unión de desinflado de un lado. (No la desenrosque completamente, es suficiente con siempre que pueda ver el aceite). Gire el volante en el sentido de las agujas del reloj hasta que ver el aceite del tubo de desinflado es bloqueo estable , Sin burbujas, apretar el purgador. , cerrar dispositivos de desinflado.

Gire el volante en sentido horario/antihorario varias veces para

Consulte la tabla de parámetros del número de vueltas completas del timón para determinar si El fluido hidráulico en la tubería ha sido completamente excluido. Si hay aire quieto, el número de timón completo aumentará). Si todavía hay mucho aire que No se descarta que se repita el procedimiento. Si hay una pequeña cantidad de aire,

Después de pasar la prueba del timón, retire el tubo de combustible y el tubo de purga, enrosque la tapa del combustible, coloque el manguito del conector desinflado, el aceite hidráulico no utilizado se cierra para el mantenimiento y la reparación posteriores. (Verifique la superficie del aceite de la bomba hidráulica una vez al trimestre, el aceite insuficiente causará algo anormal).

FALLAS Y SOLUCIONES:

A continuación se enumeran las fallas más comunes y sus causas y soluciones. Cuando el timón gira a toda velocidad (cilindros con carrera completa), puede haber una ligera resistencia y un sonido de clic en las piezas internas que proviene de la bola del carrete de la válvula interna y la bola de acero del cojinete cuando están en funcionamiento. Es un fenómeno normal. No piense que se debe a fallas.

FALLA	CAUSA	SOLUCIÓN
El timón hidráulico está completamente atascado durante la instalación.	Bloqueo de la tubería entre la bomba hidráulica y el cilindro hidráulico.	Verifique si la manguera está obstruida o doblada. Si está doblada, debe reemplazar la manguera dañada o podría provocar la pérdida de la dirección y lesiones personales graves o daños a la propiedad.
Es difícil repostar el sistema, incluso cuando el sistema dice que el combustible está lleno, Las burbujas continúan salir del aceite bomba.	Hay aire en el Sistema Fugas en los accesorios de purga Las tuberías hidráulicas presentan daños por enrollamiento o flexión.	Instale el sistema correctamente de acuerdo con el manual de instalación. El tubo de entrada debe estar siempre hacia arriba. Apriete los accesorios de desinflado. Desenrolle y enderece la manguera o reemplace la manguera dañada.
Al utilizar el sistema para conducir,	Tubería hidráulica tiene lesiones dobladas Hay	Desenrolle y enderece la manguera o reemplace la dañada.

Es necesario rotar el completo Timón rápidamente para muchas veces.	gas o burbujas finas en El aceite hidráulico. Aceite hidráulico incorrecto Fue utilizado.	manguera. Repostar o vaciar el depósito de forma adecuada según la instalación manual Utilice el aceite hidráulico correcto.
Cuando el sistema está timón completo, el volante solo No funciona	Hay suciedad impurezas en el válvula de bomba hidráulica	No utilice el sellado de "banda" cinta en la interfaz. Desmontar la bomba hidráulica Para limpiar la suciedad.
El sistema puede dirigir el barco fácilmente cuando El barco está parado, Sin embargo, es muy difícil de conducir mientras navegación.	Volante pequeño Fue seleccionado. La conexión del motor es No está configurado correctamente, El airbag se genera en El sistema y el aire son No excluido completamente. Configuraciones del sistema exceder los límites de potencia.	Cambiar a una dirección más grande rueda de la cual el máximo El diámetro no debe exceder 56cm. Ajuste la conexión del motor Configuraciones correctas. Compruebe la superficie del aceite de bomba hidráulica, restablecer la repostar y ventilar correctamente.
El volante gira al lado izquierdo de babor, El barco gira a la derecha	Tubería de aceite incorrecta conexión	Intercambie los dos conductos de aceite del cilindro entre sí y instalarlos
El cilindro no puede ser instalado en el motor.	Cada cilindro requiere motor correspondiente modelo.	Consulte el manual o El servicio de atención al cliente de la concesionario para cambiar el modelo.

Cuando la bomba del timón llega al punto de parada, el cilindro se llena por completo (carrera completa), una pequeña cantidad La deriva hidráulica es normal y la bomba del timón no está bloqueada al 100 %

MANTENIMIENTO

ADVERTENCIA:

Si sigue los programas de mantenimiento de rutina que se describen a continuación, , en el marco de tiempo garantizará años de servicio de su sistema de dirección VEVOR, así como

Manténgase a usted y a sus pasajeros a salvo de los peligros que existen dentro y fuera de la carretera.

agua.

El incumplimiento de los controles de mantenimiento puede provocar la pérdida de la dirección, lo que provoca Daños a la propiedad y/o lesiones personales.

Las inspecciones son necesarias cada año y deben ser realizadas por personal especializado.
Mecánica marina.

Revise el eje y las juntas tóricas del cilindro, las juntas tóricas de la bomba del timón, la accesorios del cilindro y de la bomba del timón para evitar fugas.

Verifique el apriete de todos los sujetadores/accesorios en todo el sistema de dirección.

Limpie el sistema con agua fresca y líquido no abrasivo.

No se deben utilizar líquidos de limpieza que , Los ácidos o cualquier otro ingrediente corrosivo deben contengan amoníaco para limpiar ninguna pieza del sistema de dirección hidráulica.

No utilice aceites de freno ni líquido de transmisión automática (ATE). Utilice únicamente productos compatibles.
Aceites hidráulicos.

Antes de cada uso:

Verifique el nivel de líquido en la bomba del timón más alto.

Verifique la respuesta inmediata de la dirección al girar el volante (asegúrese de El motor gira cuando se gira el volante).

Inspeccione visualmente todas las mangueras y accesorios de dirección para detectar desgaste, torceduras y/o fugas.

Compruebe si hay ataduras o holgura. , Componentes de dirección desgastados o con fugas.

Advertencia :

NO opere la embarcación si algún componente no está en condiciones adecuadas de funcionamiento.

En este caso, tome fotografías inmediatamente y comuníquese con su distribuidor.

Después de las primeras , luego cada 100 horas o 6 meses 20 horas siguientes (lo que ocurra primero):

Todos los puntos señalados anteriormente

Verifique el apriete de TODOS los sujetadores/accesorios en todo el sistema de dirección.

Se requieren apretar según las especificaciones de torque correctas.

Verifique si hay juego mecánico o holgura en todo el sistema de dirección y corrija lo que sea necesario.
requerido.

Compruebe si hay signos de corrosión. Si hay corrosión, comuníquese con su distribuidor.

Después de cada 200 horas o 12 meses (lo que ocurra primero)

viene primero):

Todos los puntos señalados anteriormente.

Retire la varilla de soporte del tubo de dirección/inclinación del motor. Limpie el tubo de dirección/inclinación del motor.

Engrase el tubo y vuelva a engrasarlo con una grasa marina de buena calidad.

Engrase generosamente la varilla de soporte.

Engrase todos los puntos de contacto que se muestran en las instalaciones del cilindro y la barra de unión.

NO retire el perno del timón para volver a engrasar.

Retire el volante y vuelva a engrasar el eje del volante con un lubricante marino de buena calidad.

grasa.

Inspeccione el aceite hidráulico para comprobar su limpieza. , Enjuagar si es necesario.

Cualquier trabajo que se realice con el sistema de dirección DEBE ser realizado por un

Mecánico calificado con conocimientos prácticos del sistema.

Fabricante: Shanghaimuxinmuyeyouxiangongsi

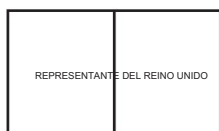
Dirección: Shuangchenglu 803nong11hao1602A-1609shi, baoshanqu, shanghai 200000 CN.

Importado a Australia: SIHAO PTY LTD. 1 ROKEVA STREETEASTWOOD

Nueva Gales del Sur 2122 Australia

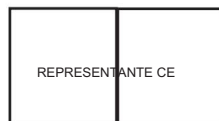
Importado a EE. UU.: Sanven Technology Ltd. Suite 250, 9166 Anaheim

Lugar, Rancho Cucamonga, CA 91730



YH CONSULTING LIMITADA.

**C/O YH Consulting Limited Oficina 147,
Casa Centurión, London Road,
Staines-upon-Thames, Surrey, TW18 4AX**



E-CrossStu GmbH

**Mainzer Landstr.69,
60329 Fráncfort del Meno.**

VEVOR[®]

TOUGH TOOLS, HALF PRICE

Soporte técnico y certificado de garantía
electrónica www.vevor.com/support

VEVOR[®]

TOUGH TOOLS, HALF PRICE

Wsparcie techniczne i certyfikat gwarancji elektronicznej www.vevor.com/support

HYDRAULICZNE STEROWANIE ZABURTOWE SYSTEM MODEL:NR150/NR300

Nadal staramy się oferować Państwu narzędzia w konkurencyjnych cenach. „Oszczędź połowę”, „Połowa ceny” lub inne podobne wyrażenia używane przez nas stanowią jedynie szacunkowe oszczędności, jakie możesz uzyskać, kupując u nas określone narzędzia w porównaniu z głównymi markami i niekoniecznie oznaczają one objęcie wszystkich kategorii narzędzi oferowanych przez nas. Uprzejmie przypominamy, aby dokładnie sprawdzić, czy składając u nas zamówienie faktycznie oszczędzasz połowę w porównaniu z głównymi markami.

VEVOR[®]
TOUGH TOOLS, HALF PRICE

HYDRAULIKA ZABURTOWA
UKŁAD KIEROWNICZY

MODEL:NR150/NR300



<Zdjęcie tylko w celach informacyjnych>

POTRZEBUJESZ POMOCY? SKONTAKTUJ SIĘ Z NAMI!

Masz pytania dotyczące produktu? Potrzebujesz wsparcia technicznego? Skontaktuj się z nami: Wsparcie

techniczne i certyfikat E-Gwarancji www.vevor.com/support

To jest oryginalna instrukcja, przed użyciem należy uważnie przeczytać wszystkie instrukcje. VEVOR zastrzega sobie jasną interpretację naszej instrukcji obsługi. Wygląd produktu będzie zależał od produktu, który otrzymałeś. Prosimy o wybaczenie, że nie poinformujemy Cię ponownie, jeśli w naszym produkcie pojawią się jakiegokolwiek aktualizacje technologiczne lub oprogramowania.

WAŻNE ZABEZPIECZENIA



OSTRZEŻENIE: Przed przystąpieniem do użytkowania należy przeczytać i zrozumieć całą instrukcję, obsługę lub serwisowania tego produktu. Nieprzestrzeganie tych ostrzeżeń i instrukcje mogą spowodować obrażenia ciała lub uszkodzenie cennych przedmiotów nieruchomości.

Środki ostrożności podczas montażu

1. Montaż należy wykonywać wyłącznie zgodnie z niniejszą instrukcją. Nieprawidłowy montaż może spowodować zagrożenia.
2. Utrzymuj miejsce zgromadzenia w czystości i zapewnij dobre oświetlenie.
3. Podczas montażu nie dopuszczaj osób postronnych na teren montażu.
4. Nie należy gromadzić się, gdy jest się zmęczonym lub pod wpływem alkoholu, narkotyków lub lek.
5. Możliwości produktu odnoszą się wyłącznie do produktu prawidłowo i kompletnie zmontowanego.
6. Aby uzyskać dodatkowe informacje dotyczące części wymienionych na kolejnych stronach, zapoznaj się ze schematem montażu w tym podręczniku. Rozpakuj i oddziel wszystkie części w czystym miejscu pracy. Proszę trzymać małe części zamienne poza zasięgiem dzieci.

ZAPISZ TE INSTRUKCJE

Dziękujemy za zakup hydraulicznego układu kierowniczego VEVOR.

W niniejszej instrukcji szczegółowo opisano różne funkcje tego systemu, aby umożliwić Ci pełne korzystanie z niego. poczuj przyjemność najwyższej jakości, jaką może Ci zapewnić ten produkt.

Układ hydrauliczny VEVOR opiera się na koncepcji nowoczesnego układu kierowniczego przemysłowego konstrukcja, wysoka wydajność, technologia pompy tłokowej o dużej mocy przesyłowej stosowane przy projektowaniu i produkcji urządzeń sterowych statków, co sprawia, że układ kierowniczy jest bardziej stabilny, inteligentniejszy i niezawodny.

Główne elementy układu kierowniczego wykonane są ze stopu aluminium o wysokiej wytrzymałości i stali nierdzewnej, która może być stosowana w trudnych warunkach morskich i wydłuża trwałość układu kierowniczego.

Układ kierowniczy uwolni Cię od ciężkich i nieelastycznych elementów mechanicznych wał kierowniczy, który może uratować twoje obolałe ramiona. Może zwiększyć przyjemność prowadzenie łodzi motorowej.

GŁÓWNE CECHY

Pompa wspomagania układu kierowniczego ma kompaktową konstrukcję wewnętrzną i jest modna i piękny wygląd.

Dwukierunkowy wbudowany zawór blokujący eliminuje moment odbicia. Łatwa wymiana uszczelnienia wału, przyjazna dla użytkownika konstrukcja;

Wał kierowniczy ze specjalną obróbką powierzchni nie tylko jest wytrzymały i niezawodność, ale także odporność na zużycie i korozję. Wysokowytrzymała powłoka ze stopu aluminium i proces obróbki powierzchni mogą zapewnić

odporność na zużycie i korozję oraz skutecznie zapobiega erozji wodnej. Rurociągi:

Bardzo wytrzymałe, nylonowe szybkozłączki 1/4-rurowe ułatwiają instalację

kompaktowy i nadaje się do ponownego

użycia. Zastosowanie specjalnie zaprojektowanego oleju hydraulicznego o wysokiej jakości może poprawić smarowanie części i zabezpieczenie uszczelnień.



OGÓLNE ZASADY BEZPIECZEŃSTWA I GWARANCJA

Niniejsza instrukcja instalacji i konserwacji stanowi integralną część produktu i muszą być w pełni zrozumiałe dla użytkownika przed instalacją.

Montaż, konserwacja i przenoszenie układu hydraulicznego

Komponenty serii produktów VEVOR muszą być wykonywane przez osoby upoważnione i wykwalifikowanych techników. Seria produktów VEVOR wdraża

dwuletnia gwarancja na serwis posprzedażowy, w przypadku użytkowania produktu, jeśli wystąpią jakiegokolwiek

W razie pytań lub problemów prosimy o kontakt z dealerem na czas. VEVOR udzieli Państwu pomocy, prawidłowego prowadzenia. VEVOR nie ponosi odpowiedzialności za konsekwencje

nieautoryzowanego demontażu lub rozmontowania.

Bez uszczerbku dla charakteru produktu, VEVOR ma prawo do:

zmiany w opisie informacji i ilustracjach zawartych w niniejszej instrukcji VEVOR nie ponosi żadnej , odpowiedzialności za negatywne skutki spowodowane

kopiując tę instrukcję w jakikolwiek inny niezgodny z prawem sposób, uniemożliwiając użytkownikowi korzystanie z niej standardowa instrukcja instalacji.

ŚRODKI OSTROŻNOŚCI PODCZAS INSTALACJI

Używaj wyłącznie komponentów dostarczonych przez firmę VEVOR. Części dostarczone przez inną firmę produkuje

może stwarzać zagrożenie bezpieczeństwa i wpływać na funkcję kierowania;

Na wszystkich gwintach połączeń rurowych należy stosować wyłącznie uszczelki typu Loctite PST lub równoważne należy użyć uszczelnacza. Nie należy używać (taśmy uszczelniającej) ani podobnych taśm uszczelniających, ponieważ może to spowodować przedostanie się zanieczyszczeń do korpusu pompy i zatkanie rury.

Proszę używać specjalnego oleju hydraulicznego o stężeniu 10 # lub 15 #, który jest kwalifikowany i przyjazny dla środowiska. Używanie innego oleju (takiego jak olej hamulcowy) może spowodować nieodwracalne uszkodzenie sprzętu powodujące utratę funkcji kierowania i brak możliwości gwarancja.

Minimalny promień gięcia rury wynosi 1"18 (30CM). Nie dotykaj ostrych przedmiotów. Dalsze zginanie, pocieranie, drapanie lub skręcanie może spowodować rura może ulec uszkodzeniu i pęknąć wskutek normalnego ciśnienia układu kierowniczego, powodując utrata funkcji kierowania.

Nie dopuść do swobodnego opadania rury podczas użytkowania, użyj drutu lub innego materiału PCV materiał do naprawy, aby uniknąć potencjalnego zagrożenia bezpieczeństwa.

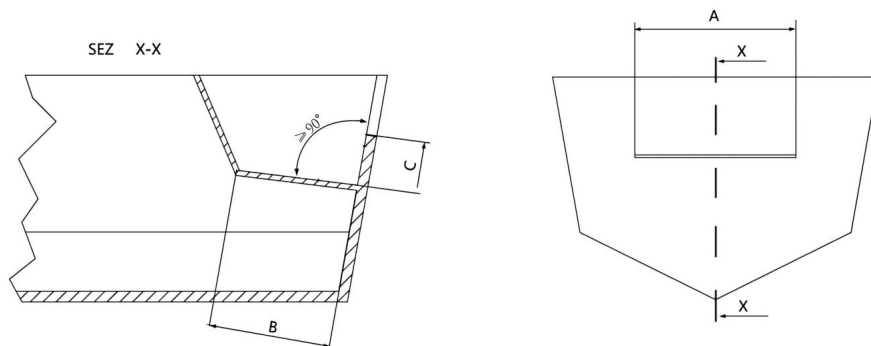
Regularna konserwacja podzespołów systemu oraz kontrola rur i sprawdzenie zużycia lub uszkodzenia elementów wyposażenia może wydłużyć czas użytkowania sprzętu.

INFORMACJE TECHNICZNE

TYP	150 KM	300HP-A
POMPA	NR150	300 NR
ŚREDNICA WEWNĘTRZNA RURY (mm)	30	35
ŚREDNICA PRĘTA (mm)	16	18
Skok [mm]	200	210
MAKSYMALNE CIŚNIENIE (bar)	103	69
APLIKUJ HON	Do 150 KM	Do 300 KM

MINIMALNE WYMIARY WANNY ROZPRYSKOWEJ

Przed przystąpieniem do montażu upewnij się, że studzienka przeciwbryzgowa Twojej łodzi ma następujące minimalne wymiary.

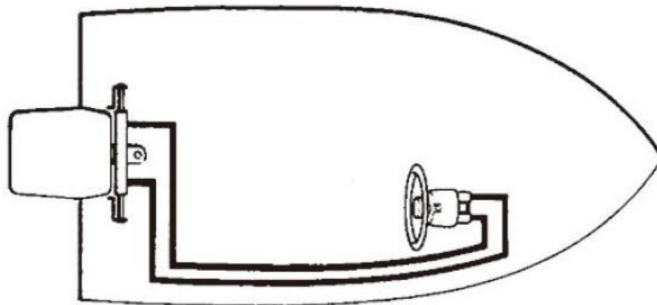


MINIMALNE WYMIARY WANNY BRYZGOWEJ

Liczba silników	mm (mm)	B(mm)	cm (mm)
1	560	152	152
2	1110	152	152

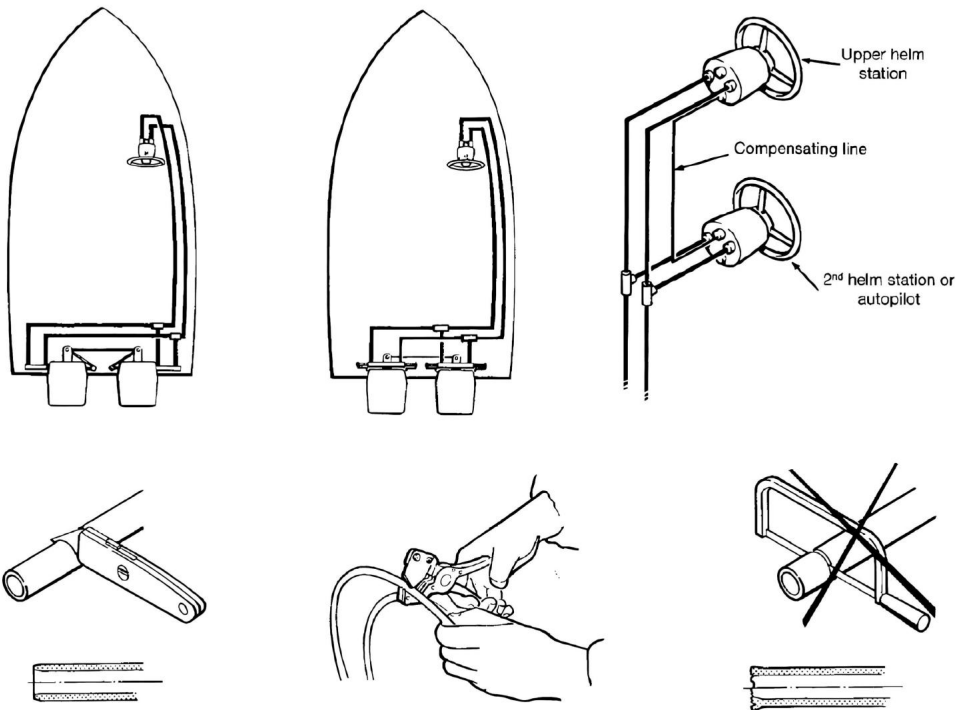
INSTALACJA WĘŻY / ZŁĄCZY-POMPA POŁĄCZENIE

Aby uzyskać informacje na temat prawidłowego podłączenia węży od pompy sterowej do pompy, zapoznaj się z poniższymi ilustracjami. cylinder.



Dla NR150/NR300

Przyłącze węża



Zalecamy stosowanie wyłącznie przewodów układu kierowniczego VEVOR.

Zawsze staraj się prowadzić węże najkrótszą drogą, aby uniknąć wszelkich możliwych utrata mocy. Aby ułatwić odpowietrzanie układu, należy zaleca się montaż węży poziomo z nachyleniem ok. 3 cm na miernik; strona pompy musi znajdować się wyżej niż strona cylindra.

Zawsze zabezpieczaj węże, które muszą przechodzić przez inną komorę lub należy stosować odpowiednie złącza grodziowe lub tuleje.

Węże muszą być zainstalowane w taki sposób, aby nie stanowiły przeszkody dla innych składniki.

Nie zdejmuj ochronnych osłon końcowych, dopóki węże nie zostaną poprowadzone i gotowy do podłączenia do pompy sterowej, przyłącza węża lub cylindra(ów) sterującego(ych). Zapewnij odpowiednią długość węża, aby umożliwić ruch cylindra w całym łuk skrętu i ustawienia trymu/pochylenia silnika(ów) w górę/w dół.

Podczas instalacji węża należy upewnić się, że nasadki ochronne pozostają na swoim miejscu. koniec węży.

Uwaga:

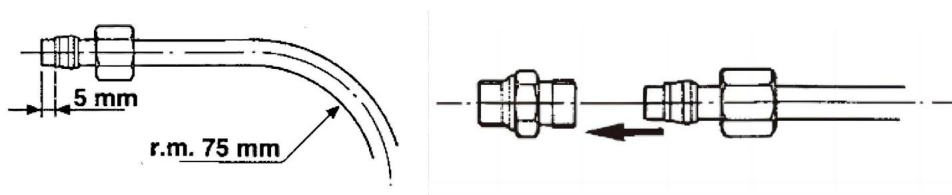
Nie należy instalować węży w miejscach, w których będą narażone na działanie wysokiej temperatury, ekstremalnych temperatur ciepło zmniejsza ciśnienie rozrywające wąż i może spowodować jego stopnienie, Zachowaj dużą czystość. Upewnij się, że rury i węże są idealnie czyste i wolne od wiórów.

Notatka:

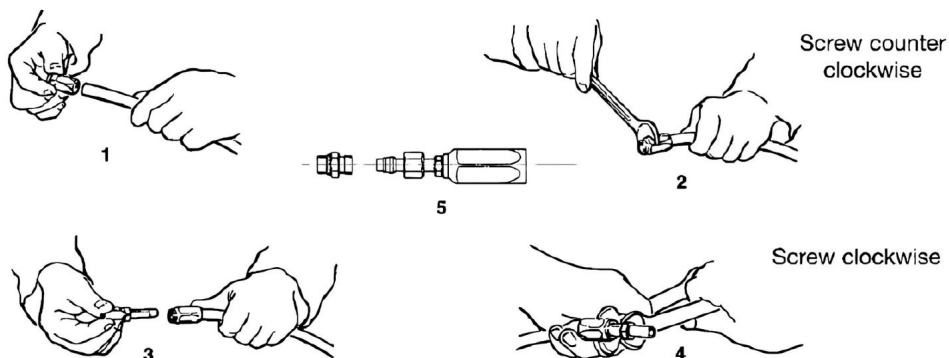
Węże elastyczne należy przecinać ostrym nożem, nigdy nie należy używać piły, ponieważ fragmenty nylonu w układzie hydraulicznym powodują poważne problemy

MONTAŻ WĘŻY HYDRAULICZNYCH

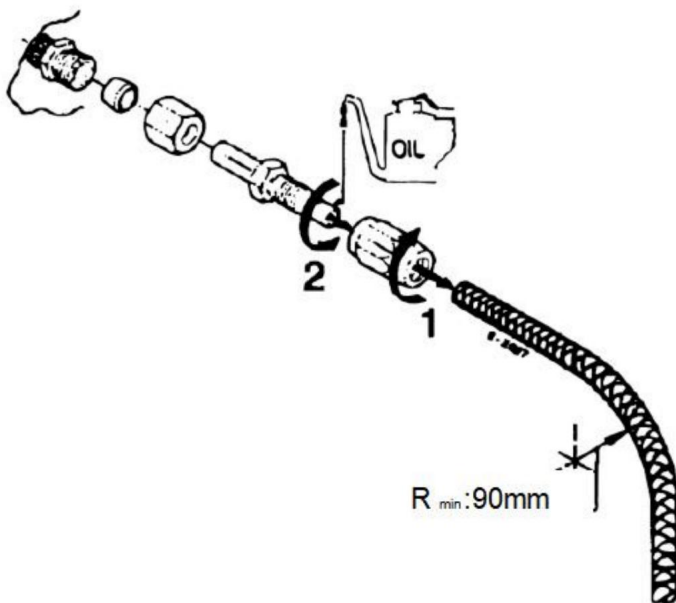
Po przecięciu węża nylonowego zamontuj na nim nakrętkę sprzęgającą i tuleję podporową (sprawdź, czy jest prawidłowo w stosunku do końca węża). Po zamontowaniu nakrętki należy ją dokręcić za pomocą klucza.



W przeciwnym razie możesz zamontować elastyczny wąż z elementami nadającymi się do recyklingu. Zrób tak jak ilustracje poniżej pokazują.



Po instalacji należy przedmuchać wnętrze węży za pomocą sprężone powietrze, aby uniknąć wszelkich przeszkód i usunąć kurz i zanieczyszczenia z magazynu. Przed odpowietrzeniem zaleca się również przepłukanie systemu. Nie używaj wody.



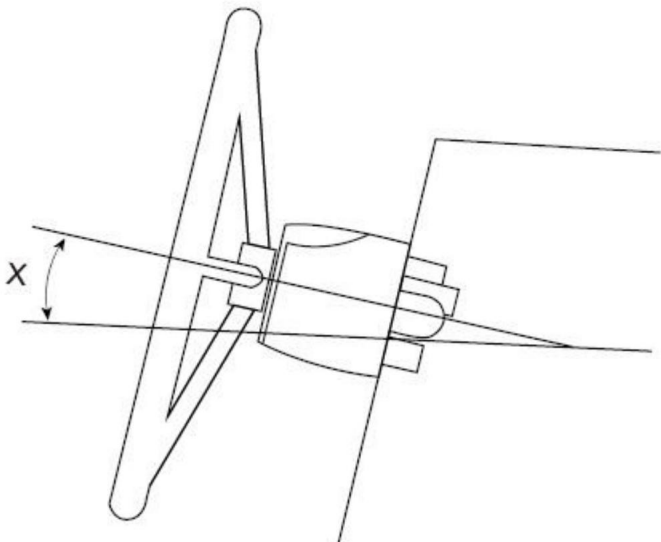
1. Po przecięciu nakręć tuleję łączącą rurę na rurę (lewoskrętną nitka).
2. Nasmaruj złączkę rurową i wkręć ją do tulei. Upewnij się, że wewnętrzna osłona rurki nie powinna być przestrzegana podczas dokręcania śruby! Upewnij się również, aby wewnętrzna osłona rurki nie została ściśnięta podczas dokręcania śruby.
3. Sprawdź, czy nie ma żadnych wewnętrznych przeszkód, wkładając do rurki mały śrubokręt złącze przed przystąpieniem do montażu węża do steru lub cylindra.

SYSTEM HYDRAULICZNEGO KIERUNKU NR150/ INSTALACJA NR300

Narzędzia instalacyjne (Aby ukończyć instalację tego systemu, potrzebne są:

następujące narzędzia):

Wiertło A.9mm	Klucz instalacyjny E.17mm
Klucz montażowy B.30mm	Klucz instalacyjny F.12mm
Klucz instalacyjny C.11mm	Klucz nasadowy G.24mm
Klucz instalacyjny D.19mm	



Ważny:

wykonać procedurę odpowietrzania ręcznie i przy pochylonej pompie sterowej nie więcej niż 20 stopni (X).

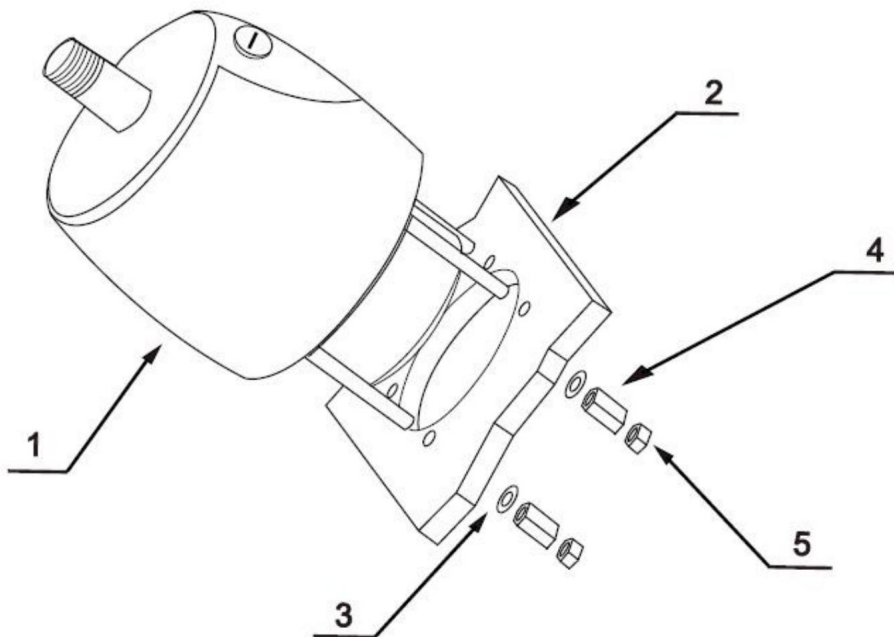
Pompa wspomagania NR300 Montaż:

Określ kąt i pozycję montażu, aby mieć pewność, że układ kierowniczy będzie działał prawidłowo.

nie koliduje z innym sprzętem. Sprawdź, czy jest jeszcze wystarczająco dużo przestrzeni za deską rozdzielczą mostka (2) na przyłącza i rury.

Jeżeli nie wywiercono otworów montażowych w desce rozdzielczej, należy zapoznać się z instrukcją wiercenia. szablon w załączniku i otwórz otwory w odpowiednich miejscach.

RIF-ować.	OPIS	ILOŚĆ
1	Pompa	1
2	Tablica	1
3	Podkładka	4
4	Nakrętka odciążająca	4
5	Nakrętka zabezpieczająca	4



Przymocuj szablon montażowy otworu dostępowego 1:1 (dołączony do niniejszej instrukcji) do deski rozdzielczej i wywierć otwór montażowy w standardowy sposób za pomocą wiertła do otworów.

Wywierć otwór o średnicy 77 mm i wywierć cztery otwory o średnicy 9 mm, jak pokazano na rysunku. szablon montażowy.

Przeprowadź ułożoną rurkę przez środkowy otwór o średnicy 77 mm i podłącz go do pompy wspomaganie układu kierowniczego (1).

Zamontuj pompę wspomaganie na desce rozdzielczej za pomocą 4 podkładek (3) i 4 śrub nakrętki odciążające (4), 4 nakrętki zabezpieczające (5), moment dokręcania 15 N.

Nasmaruj stożkową część wału. Zamontuj półokrągły klucz. Umieść kierownica w kierunku wału i klucz kierownicy na klucz półokrągły. Umieść podkładkę i dokręć nakrętkę blokady kierownicy, dokręcając

moment obrotowy wynosi 20 N.

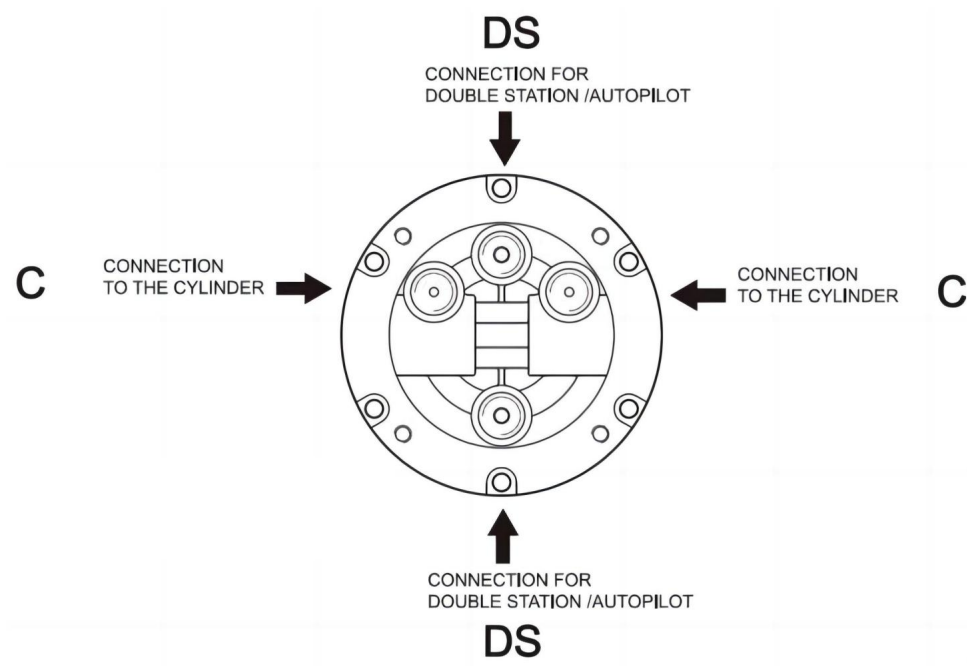
Notatka:

Pompa wspomaganie powinna być zamontowana pod kątem nachylenia X 20 stopni. Jeśli tak jest przekroczony. Może to spowodować przedostanie się powietrza do kanału i zakłócić działanie układu kierowniczego.

Należy używać wyłącznie samoblokujących elementów mocujących firmy VEVOR lub standardowych elementów mocujących. Użycie elementów mocujących innych niż samoblokujące może spowodować poluzowanie się lub rozdzielenie sprzętu.

Nie otwieraj pokrywy pompy ani korka wlewu podczas montażu pompy układu kierowniczego, aby zapobiec przedostaniu się brudu i wiórów do pompy, co mogłoby zakłócić działanie układu kierowniczego.

Uszczelnienia taśmowe typu teflonowego nie mogą być stosowane na króćcach rur. Może to spowodować przedostanie się wiórów taśmy do korpusu pompy i w ten sposób wpłynąć na funkcję kierowania. (Seria VEVOR to technologia uszczelniania gwintów rur, która nie wymaga stosowania innych uszczelnień taśmowych.)



PODŁĄCZENIE PORTÓW ZAWOROWYCH:

Port oznaczony jako „C” podłączany do cylindra/cylindrów

Port oznaczony jako „DS” łączy się ze stacją dodatkową lub autopilotem

INSTALACJA CYLINDRA 300HP

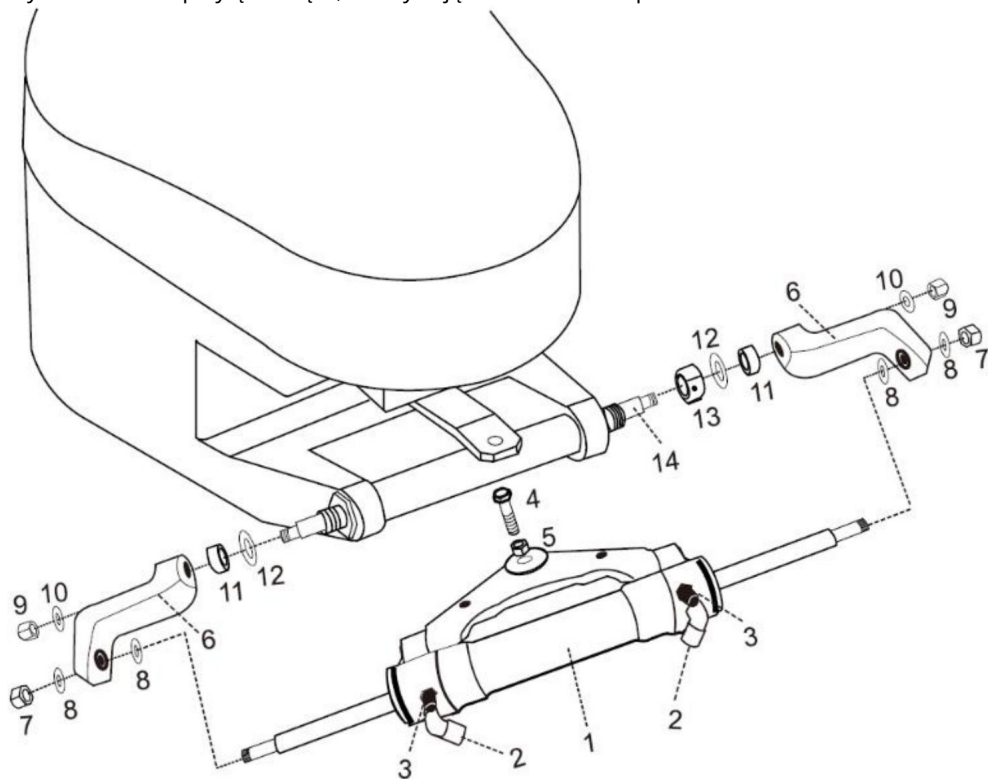
⚠️ OSTRZEŻENIE:

Ważne jest, aby sprawdzać okresowo, co najmniej co 3 miesiące (lub co miesiąc w przypadku (do zastosowań profesjonalnych), właściwy moment dokręcania tej śruby i nakrętki zabezpieczającej.

W większości marek silników ramię cylindra powinno być przymocowane do ramienia sterującego silnika. silniki zaburtowe. w przypadku gdy ster koliduje z innymi częściami silnika zaburtowego, Można go również zamontować pod sterem.

⚠️ OSTRZEŻENIE:

Aby zamontować przyłącza węży, należy zdjąć czerwone zaślepki.



RIF-ować.	OPIS	ILOŚĆ	RIF.	OPIS	ILOŚĆ
1	Cylinder	1	8	Uszczelka wspornika	4
2	Złącze węży	2	9	Pręt montażowy nakrętka samozabezpieczająca	2
3	Złącze odpowietrzające	2	10	Podkładka samoblokująca 2	
4	Śruba łącząca 3/8-24	1	11	Uszczelka ze stali nierdzewnej	2

5	Nakrętka zabezpieczająca 3/8-24	1	12	Podkładka do regulacji szczeliny	2
6	Uchwyt cylindra	2	13	Nakrętka regulacji szczeliny	1
7	Nakrętka samozabezpieczająca tłoczyska	2	14	Pręt montażowy	1

Przed przystąpieniem do instalacji sprawdź, czy Twój silnik jest do tego odpowiedni. rodzaj cylindra i upewnij się, że przestrzeń na rufie jest wystarczająco duża instalacja.

Przed montażem należy nasmarować ruchome części łączące silnika i cylinder oraz tłoczysko za pomocą odpowiedniego smaru morskiego i wyprostować ustaw silnik w pozycji środkowej;

Odkręć nakrętki samozabezpieczające (7) (9) na obu końcach tłoczyska cylindra i pręt montażowy i zdejmij pręt montażowy (14), podkładkę ze stali nierdzewnej (12), blok regulacji luzu (11) nakrętkę regulacji luzu (13). Po wyjęciu akcesoria, zamontuj pręt montażowy (14) w otworze montażowym silnika (jak pokazano na rysunku pokazano powyżej);

Wyjąć śrubę (4) z otworu środkowego wspornika płyty trójkąta cylindra, wyregulować kąt silnika, zgodnie z otworem na przyłączy silnika płyta, użyj śrub (4) i nakrętek (5), aby przymocować płytę trójkąta cylindra do silnika. Zapłać zwróć uwagę na ruch obrotowy maszyny w lewo i w prawo, aby mieć pewność, że cylinder będzie nie zakłócać ruchu silnika po montażu.

Wyreguluj kąt silnika i długość wysuwu tłoczyska cylinder. Zamontuj dwa wsporniki cylindra (6), nakrętkę regulacyjną szczeliny (13), uszczelkę ze stali nierdzewnej (12) i blok regulacji szczeliny (11) do tłoczyska i prawidłowo zamontować pręt montażowy zgodnie z odstępem między silnikiem a cylinder. (Zobacz zdjęcie powyżej)

Po zakończeniu montażu należy dokręcić nakrętkę regulacyjną szczeliny (13). obrócony w lewo i zablokowany, aby wyeliminować lukę bieżną cylindra. Robiąc to poprawi komfort użytkowania.

Po zakończeniu montażu należy przesunąć silnik w lewo i prawo, aby próbny rozruch cylindra. Sprawdź, czy występują części zakłócające, gdy cylinder porusza się tam i z powrotem. Jeśli występują zakłócenia, należy ponownie wyregulować montaż. Jeśli nie ma przeszkód, wsuń silnik do końca lewej/prawej strony limit. Następnym krokiem jest uzupełnienie paliwa i wyczerpanie;

OSTRZEŻENIE:

Aby uniknąć uderzenia tłoczyska, podczas montażu zabrania się uderzania w tłoczysko kluczem lub czymś twardym. Jeśli tłoczysko zostanie uszkodzone, może to spowodować wyciek oleju hydraulicznego z cylindra olejowego, co negatywnie wpłynie na komfort użytkownika produktu.

Hydrauliczny układ sterowania układem wydechowym spalin:

Do wykonania tej czynności potrzebne są dwie osoby. Jedna osoba może nie być w stanie całkowicie usunąć całego powietrza z układu hydraulicznego, co może skutkować tym, że ciśnienie wyjściowe układu hydraulicznego będzie niewystarczające, a w efekcie nastąpi osłabienie lub spowolniona reakcja, co wpłynie na komfort użytkownika produktu.

Do uzupełniania paliwa należy używać specjalnego, przyjaznego dla środowiska oleju hydraulicznego lub innego odpowiedniego oleju hydraulicznego. Nie należy stosować oleju hamulcowego. Stosowanie innego, niedopuszczalnie żrącego oleju może spowodować nieodwracalne uszkodzenie układu i skutkować utratą gwarancji na produkt.

ŚRODKI OSTROŻNOŚCI:

Jeśli napełnisz pompę płynem hydraulicznym przed podłączeniem rurki wlewowej do pompy, proces napełniania będzie szybszy i łatwiejszy.

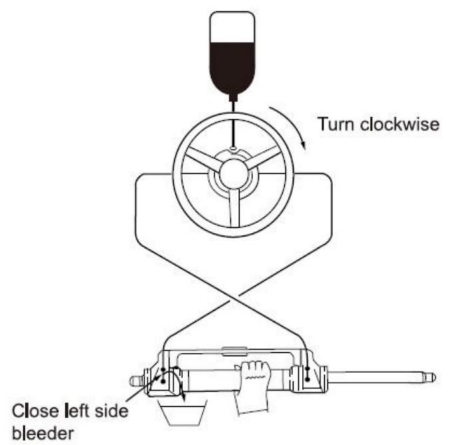
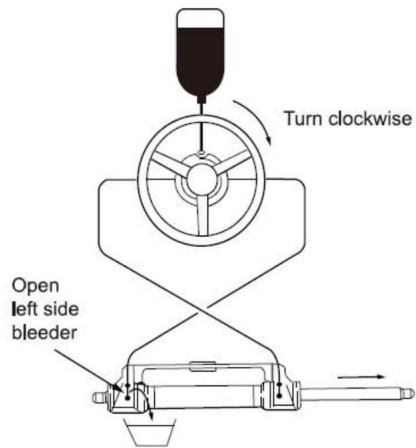
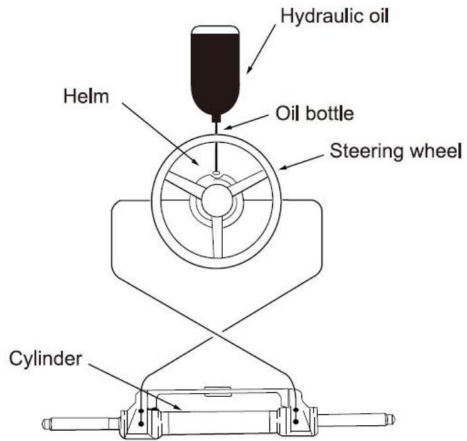
W nagłych wypadkach do układu można tymczasowo wprowadzić nietoksyczny, niekorozyjny i niepalny olej, ale cały układ należy dokładnie wyczyścić: Podczas całego procesu tankowania należy trzymać rurkę wlewową widoczną. Nie należy dopuścić do przedostania się oleju do pompy. W przeciwnym razie może dojść do przedostania się powietrza, co wydłuży czas tankowania. Podczas procesu tankowania i wyczerpywania oleju hydraulicznego zebranego z kolektora odpowietrzającego cylindra można użyć bezpośrednio po kilku chwilach. Należy chronić środowisko i prawidłowo zutylizować zużyty olej. Specjalny olej hydrauliczny dostarczany przez system VEVOR można ponownie wykorzystać po przefiltrowaniu przez filtr o średnicy otworu mniejszej lub równej 38um.

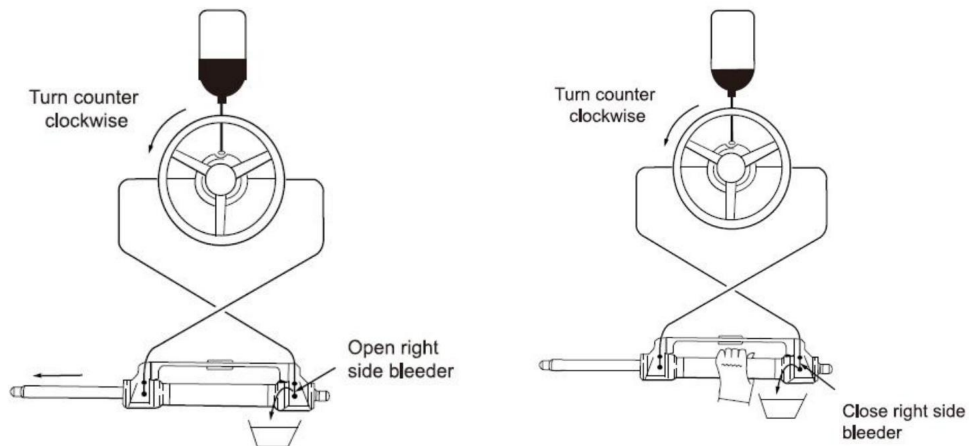
KROKI UZUPEŁNIANIA I ODPOWIETRZANIA

Wkręć gwint rury wlewowej, w którą wyposażony jest system, do portu pompy paliwa i dokręć, aby zapewnić szczelność.

Zamontuj ostry uchwyt dołączony do tego systemu na korku zbiornika oleju. Włóż ostry otwór do pompy z pewną siłą, wlej olej do rury wlewu paliwa, aż nie będzie widać powietrza (butelkę można delikatnie ścisnąć, aby upewnić się, że jest szczelna).

(przyspieszyć napęlnianie.)





Powoli obróć kierownicę zgodnie z ruchem wskazówek zegara, aż jedna strona tłoczyska

jest całkowicie rozciągnięta. Zamontuj rurę wydechową po stronie cofania tłoczyska, aby zbierz olej z odpowietznika.

Przytrzymaj cylinder, aby zapobiec jego obracaniu się, odkręć

smoczek odpowietrzający umieszczony z boku odpowietznika (nie odkręcać go)

całkowicie, wystarczy że olej widać) skręć kierownicę

zgodnie z ruchem wskazówek zegara, aż zobaczysz wewnątrz rury wydechowej, czy wyrzucony olej jest stabilny i dokładnie, bez pęcherzyków powietrza, skręć kierownicę jednocześnie dokręcając nakrętkę spustową, zamknij złączki wydechowe;

Kontynuuj obracanie kierownicę w kierunku przeciwnym do ruchu wskazówek zegara, aż do uzyskania pierwotnego położenia.

strona cofania tłoczyska całkowicie wysunięta, Zamontuj rurę wydechową do

cofnij stronę tłoczyska, aby zebrać olej z odpowietznika. Przytrzymaj cylinder,

aby zapobiec jego obracaniu się, odkręć

nakrętkę złącza deflacyjnego z jednej strony. (Nie odkręcaj jej całkowicie, wystarczy, że

dopóki widzisz olej). Obróć kierownicę zgodnie z ruchem wskazówek zegara, aż

zobacz olej z rury spustowej jest stabilny

, bez pęcherzyków powietrza. Dokręć odpowietznik

, zamknąć urządzenia deflacyjne.

Obróć kierownicę zgodnie z ruchem wskazówek zegara/przeciwnie do ruchu wskazówek zegara kilka razy, aby

sprawdzić liczbę pełnych obrotów steru (tabela parametrów), aby ustalić, czy

płyn hydrauliczny w rurze został całkowicie wykluczony. Jeśli jest

jeśli powietrze jest nadal nieruchome, liczba pełnych sterów wzrośnie). Jeśli jest jeszcze dużo powietrza,

nie jest wykluczone, powtórz procedurę. Jeśli jest mała ilość powietrza, zrób

pełny ster w jednym ruchu prostym. wykonaj mały półokrąg wsteczny, ponownie wykonaj pełny ster, powtórz tę czynność 5-6 razy dla kierunku lewego i prawego. Po przejściu testu steru, odłącz przewód paliwowy i przewód odpowietrzający, zakręć korek wlewu paliwa, ustaw spuszczonej tuleję złącza, a niewykorzystany olej hydrauliczny jest zamknięty w celu późniejszej konserwacji i naprawy. (Sprawdź powierzchnię oleju pompy hydraulicznej raz na kwartał, niewystarczająca ilość oleju może spowodować nieprawidłowe działanie.)

BŁĘDY I ROZWIĄZANIA:

Poniżej przedstawiono najczęstsze awarie oraz ich przyczyny i rozwiązania. Gdy ster obraca się przy pełnym sterze (pełny skok cylindra), może występować niewielki opór i dźwięk klikania wewnętrznych części, który pochodzi z wewnętrznej kuli szpuli zaworu i stalowej kulki łożyska podczas ich pracy. Jest to normalne zjawisko. Proszę nie sądzić, że jest to spowodowane usterkami.

WADA	PRZYCZYNA	ROZWIĄZANIE
Ster hydrauliczny jest całkowicie zablokowany podczas montażu.	Zablokowanie przewodu pomiędzy pompą hydrauliczną a cylindrem hydraulicznym.	Sprawdź, czy wąż nie jest zatkany lub wygięty. Jeśli jest wygięty, należy wymienić uszkodzony wąż, w przeciwnym razie może dojść do utraty zdolności kierowania i poważnych obrażeń ciała lub uszkodzenia mienia.
Trudno jest zatankować system, nawet jeśli system wskazuje, że zbiornik paliwa jest pełny, bąbelki nadal wyskoczyć z oleju pompa.	Jest powietrze w Przeciek złączki odpowietrzającej w układzie. Rury hydrauliczne mają uszkodzenia w postaci owinięć lub zagięć.	Zainstaluj system prawidłowo, zgodnie z instrukcją montażu. Rura wlotowa musi być zawsze skierowana do góry. Dokręć złączki spuszczenia powietrza. Rozwiń i wyprostuj wąż lub wymień uszkodzony wąż.
Podczas korzystania z systemu do kierowania,	Rury hydrauliczne zgięte, obrażenia.	Rozwiń i wyprostuj wąż lub wymień uszkodzony

trzeba obrócić w całości ster szybko dla wiele razy.	gaz lub drobne pęcherzyki w olej hydrauliczny. Nieprawidłowy olej hydrauliczny został użyty.	<small>waż gumowy.</small> Tankuj i wydychaj prawidłowo zgodnie z instalacją podręcznik Stosuj właściwy olej hydrauliczny.
Kiedy system jest pełny ster, kierownica po prostu nie działa	Jest brud zanieczyszczenia w zawór pompy hydraulicznej	Nie należy stosować uszczelnienia „paskowego” taśma na styku. Rozebrać pompę hydrauliczną aby oczyścić brud.
System może sterować statek łatwo kiedy statek stoi nieruchomo, Jednakże jest to bardzo trudno sterować, gdy żeglarstwo.	Mała kierownica został wybrany. Połączenie silnika jest nie ustawiono poprawnie, <small>Poduszka powietrzna jest generowana w system i powietrze jest nie wykluczone całkowicie.</small> Konfiguracje systemu przekroczyć limity mocy.	Zmiana na większy układ kierowniczy koło, którego maksymalna średnica nie przekracza 56cm. Wyreguluj połączenie silnika ustawienia są poprawne. Sprawdź powierzchnię oleju pompa hydrauliczna, zresetuj tankowanie i odpowietrzanie w prawidłowy sposób.
Kierownica się obraca do lewej burty portu, Statek skręca w prawo	Zła rura olejowa połączenie	Zamień miejscami dwa przewody olejowe cylinder ze sobą i zainstaluj je.
Cylinder nie może być zainstalowany do silnik.	Każdy cylinder wymaga odpowiedni silnik model.	Proszę zapoznać się z instrukcją lub obsługa klienta dealera w celu zmiany modelu.

Gdy pompa sterowa osiągnie punkt zatrzymania (pełny skok cylinder), niewielka ilość dryft hydrauliczny jest normalny, a pompa sterowa nie jest w 100% zablokowana

KONSERWACJA

OSTRZEŻENIE:

Przestrzeganie harmonogramów rutynowej konserwacji, jak opisano poniżej, , w ramach czasowych zapewni lata użytkowania układu kierowniczego VEVOR, a także zapewnić bezpieczeństwo Tobie i Twoim pasażerom przed niebezpieczeństwami, które mogą wystąpić na drodze i poza nią

woda.

Nieprzestrzeżenie kontroli konserwacyjnych może skutkować utratą sterowności, powodując uszkodzenie mienia i/lub obrażenia ciała.

Kontrole są konieczne co roku i muszą być przeprowadzane przez wyspecjalizowane mechanika morską.

Sprawdź wał i pierścienie uszczelniające cylindra, pierścienie uszczelniające pompy sterowej, przyłącza cylindra i pompy sterowej, aby zapobiec wyciekom.

Sprawdź szczelność wszystkich elementów mocujących/elementów mocujących w całym układzie kierowniczym.

Wyczyść układ przy użyciu czystej wody i nieściernego płynu.

Do czyszczenia jakichkolwiek części hydraulicznego , kwasy lub jakiegokolwiek inne składniki żrące muszą układu kierowniczego nie należy stosować płynów czyszczących zawierających amoniak.

Nie stosuj oleju hamulcowego ani płynu do automatycznej skrzyni biegów (ATE). Stosuj wyłącznie zgodne oleje hydrauliczne.

Przed każdym użyciem:

Sprawdź poziom płynu w pompie sterowej znajdującej się najwyżej.

Sprawdź natychmiastową reakcję układu kierowniczego podczas obracania kierownicą (kierownicami) (Upewnij się, że silnik obraca się przy skręceniu kierownicy).

Wizualnie sprawdź wszystkie przewody i złączki układu kierowniczego pod kątem zużycia, załamania i/lub nieszczelności.

Sprawdź, czy nie ma wiązań i luzu , zużyte lub nieszczelne elementy układu kierowniczego.

Ostrzeżenie:

NIE WOLNO obsługiwać łodzi, jeżeli jakiegokolwiek jej element nie jest w prawidłowym stanie technicznym.

W takim przypadku należy natychmiast wykonać zdjęcia i skontaktować się ze sprzedawcą.

Po upływie pierwszych 20 , następnie co 100 godzin lub co 6 miesięcy godzin (w zależności od tego, co nastąpi wcześniej):

Wszystkie punkty wymienione powyżej

Sprawdź dokręcenie WSZYSTKICH elementów mocujących/elementów mocujących w całym układzie kierowniczym.

Dokręć zgodnie ze specyfikacją momentu obrotowego.

Sprawdź, czy w całym układzie kierowniczym nie ma luzu mechanicznego i skoryguj go, jeśli to możliwe. wymagany.

Sprawdź, czy nie występują oznaki korozji. W razie stwierdzenia korozji skontaktuj się ze swoim dealerem.

Po każdym 200 godzinach lub 12 miesiącach (w zależności od tego, co nastąpi później)

przychodzi jako pierwszy):

Wszystkie punkty wymienione powyżej.

Zdejmij drążek podporowy z rury układu kierowniczego/pochylenia silnika. Wyczyść układ kierowniczy/pochylenia silnika.

tubka i ponowne nasmarowanie przy użyciu dobrej jakości smaru morskiego

Obficie nasmaruj pręt podporowy.

Nasmaruj wszystkie punkty styku pokazane w instalacjach cylindra i drążka łączącego.

NIE wyjmuj śruby steru w celu ponownego nasmarowania.

Zdejmij kierownicę i ponownie nasmaruj wał koła za pomocą dobrej jakości smaru morskiego.

smar.

Sprawdź czystość oleju hydraulicznego , W razie potrzeby splukać.

Wszelkie prace wykonywane przy układzie kierowniczym MUSZĄ być wykonywane przez wykwalifikowany mechanik ze znajomością działania systemu.

Producent: Shanghaimuxinmuyeyouxiangongsi

Adres: Shuangchenglu 803nong11hao1602A-1609shi, baoshanqu, szanghaj
200000 CN.

Importowane do AUS: SIHAO PTY LTD. 1 ROKEVA STREETEASTWOOD
NSW 2122 Australia

Importowane do USA: Sanven Technology Ltd. Suite 250, 9166 Anaheim
Miejsce, Rancho Cucamonga, CA 91730



YH CONSULTING LIMITED.

C/O YH Consulting Limited Biuro 147,
Dom Centuriona, London Road,
Staines-upon-Thames, Surrey, TW18 4AX



E-CrossStu GmbH

Mainzer Landstr.69,
60329 Frankfurt nad Menem.

VEVOR®

TOUGH TOOLS, HALF PRICE

Wsparcie techniczne i certyfikat gwarancji
elektronicznej www.vevor.com/support

VEVOR[®]

TOUGH TOOLS, HALF PRICE

Technische ondersteuning en e-garantiecertificaat www.vevor.com/support

HYDRAULISCHE BUITENBOORD BESTURING

SYSTEEM

MODEL:NR150/NR300

Wij streven er voortdurend naar om u gereedschappen tegen concurrerende prijzen te leveren.

"Save Half", "Half Price" of andere soortgelijke uitdrukkingen die wij gebruiken, geven alleen een schatting van de besparingen die u kunt behalen door bepaalde gereedschappen bij ons te kopen in vergelijking met de grote topmerken en betekent niet noodzakelijkerwijs dat alle categorieën gereedschappen die wij aanbieden, worden gedekt. Wij herinneren u eraan om zorgvuldig te controleren of u daadwerkelijk de helft bespaart in vergelijking met de grote topmerken wanneer u een bestelling bij ons plaatst.

VEVOR[®]
TOUGH TOOLS, HALF PRICE

**BUITENBOORDHYDRAULIEK
STUURSYSTEEM**

MODEL:NR150/NR300



<Afbeelding alleen ter referentie>

HULP NODIG? NEEM CONTACT MET ONS OP!

Heeft u vragen over het product? Heeft u technische ondersteuning nodig? Neem dan gerust contact met

ons op: **Technische ondersteuning en E-garantiecertificaat**
www.vevor.com/support

Dit is de originele instructie, lees alle handleidingen zorgvuldig door voordat u het product gebruikt. VEVOR behoudt zich een duidelijke interpretatie van onze gebruikershandleiding voor. Het uiterlijk van het product is afhankelijk van het product dat u hebt ontvangen. Vergeef ons dat we u niet opnieuw zullen informeren als er technologie- of software-updates voor ons product zijn.

BELANGRIJKE VEILIGHEIDSMATREGELEN



WAARSCHUWING: Lees en begrijp deze hele handleiding voordat u het bedienen of onderhouden van dit product. Het niet opvolgen van deze waarschuwingen en instructies kunnen persoonlijk letsel of schade aan waardevolle spullen veroorzaken eigendom.

Voorzorgsmaatregelen bij de montage

1. Monteer alleen volgens deze instructies. Onjuiste montage kan leiden tot gevaren.
2. Zorg ervoor dat de montageplek schoon en goed verlicht is.
3. Houd omstanders uit de buurt tijdens de montage.
4. Kom niet bijeen als u moe bent of onder invloed van alcohol, drugs of medicatie.
5. De producteigenschappen gelden alleen voor producten die correct en volledig zijn gemonteerd.
6. Voor aanvullende informatie over de onderdelen die op de volgende pagina's worden vermeld, raadpleegt u het montageschema van deze handleiding. Pak alle onderdelen uit en scheid ze van elkaar. onderdelen in een schone werkruimte. Houd kleine reserveonderdelen buiten bereik van kinderen.

BEWAAR DEZE INSTRUCTIES

Hartelijk dank voor uw aankoop van het VEVOR hydraulisch stuursysteem.

In deze handleiding worden de verschillende functies van dit systeem uitgebreid beschreven, zodat u er volledig gebruik van kunt maken.

Ervaar het ultieme genot dat dit product u kan brengen.

• Het hydraulische stuursysteem van VEVOR is gebaseerd op het concept van moderne industriële ontwerp, de hoge efficiëntie, hoge transmissievermogen zuigerpomptechnologie is toegepast op het ontwerp en de fabricage van scheepsstuurinrichtingen, waardoor uw Stuursysteem stabiel, slimmer en betrouwbaarder.

• De belangrijkste componenten van het stuurhuis zijn gemaakt van een zeer sterke aluminiumlegering en roestvrij staal dat kan worden gebruikt in zware maritieme omstandigheden en de levensduur kan verlengen levensduur van de stuurinrichting.

• De stuurinrichting ontlast u van de zware en onbuigzame mechanische schachtbesturing, die uw pijnlijke armen kan redden. Het kan het plezier van een speedboot besturen.

BELANGRIJKSTE KENMERKEN

• De stuurpomp heeft een compacte binnenstructuur en is modieus en

Mooi uiterlijk. • Ingebouwde

vergrendelingsklep met twee richtingen elimineert het terugslagmoment. • Eenvoudig

te vervangen asafdichting, gebruiksvriendelijk ontwerp;

• Stuuras met speciale oppervlaktebehandeling is niet alleen stevig en

betrouwbaarheid, maar heeft ook de kenmerken van slijtvastheid, corrosiebestendigheid. • Een behuizing

van zeer sterke aluminiumlegering en een oppervlaktebehandelingsproces kunnen zorgen voor

zijn slijtvastheid en corrosiebestendigheid en voorkomen effectief watererosie. • Leidingen:

Snelkoppelingen van 1/4-pijp van zeer sterk nylon maken de installatie

compact en herbruikbaar. • Het

gebruik van aangepaste hoogwaardige hydraulische olie kan de smering van

onderdelen en afdichtingsbescherming.



ALGEMENE VEILIGHEIDSREGELS EN GARANTIE

Deze installatie- en onderhoudshandleiding is een integraal onderdeel van het product en moeten door de gebruiker volledig begrepen worden vóór de installatie.

De installatie, het onderhoud en de overdracht van het hydraulische richtingsstelsel onderdelen van de VEVOR-productserie moeten worden uitgevoerd door de geautoriseerde en gekwalificeerde professionele technici. De VEVOR-productserie implementeert de

garantie voor twee jaar aftersales service, bij gebruik van het product, indien er sprake is van

Als u vragen of problemen heeft, neem dan tijdig contact op met de dealer. VEVOR zal de

correcte begeleiding. VEVOR is niet aansprakelijk voor de gevolgen van

ongoorloofde demontage of ontmanteling.

Zonder afbreuk te doen aan de aard van het product, heeft VEVOR het recht om:

Wijzigingen in de beschrijving, informatie en illustraties in deze handleiding VEVOR aanvaardt geen

enkele verantwoordelijkheid voor de nadelige gevolgen die hieruit voortvloeien

door deze handleiding op een andere illegale manier te kopiëren, waardoor de gebruiker de instructies niet kan volgen de standaard installatie-instructies.

VOORZORGSMAATREGELEN BIJ INSTALLATIE

ÿ Gebruik alleen onderdelen die door VEVOR worden geleverd. De onderdelen die door de andere partij worden geleverd produceert

ÿ kan veiligheidsrisico's opleveren en de stuurfunctie beïnvloeden;

ÿ Gebruik op alle buisaansluitdraden alleen afdichtingen zoals Loctite PST of een gelijkwaardig product afdichtmiddel moet worden gebruikt. Gebruik geen (banding) of soortgelijke afdichttapes, omdat dit ervoor zorgen dat er vuil in de pomp terecht komt en de leiding verstopt raakt.

ÿ Gebruik speciale hydraulische olie van 10 # of 15 # die gekwalificeerd is en milieuvriendelijk. Het gebruik van andere olie (zoals remolie) kan leiden tot onherstelbare schade aan uw apparatuur, waardoor de stuurfunctie verloren gaat en er geen garantie.

ÿ De minimale buigradius van de buis is 1 "18 (30CM). Raak de scherpe voorwerpen. Doorgaan met buigen, wrijven, krabben of draaien kan de de pijp beschadigd raken en scheuren door de normale stuurdruk, waardoor Verlies van stuurfunctie.

ÿ Laat de pijp niet vrij hangen tijdens gebruik, gebruik hiervoor draad of ander PVC te bevestigen materiaal, om mogelijke veiligheidsrisico's te voorkomen.

ÿ Regelmatig onderhoud van systeemcomponenten en inspectie van leidingen en

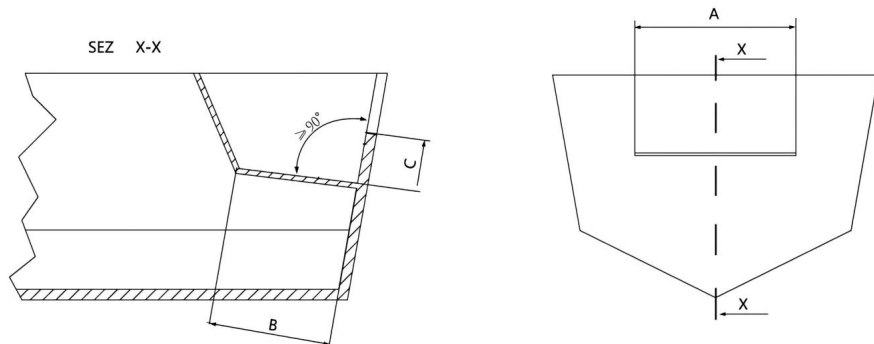
Door de fittingen te controleren op slijtage of beschadigingen, kunt u de levensduur van uw apparatuur verlengen.

TECHNISCHE INFORMATIE

TYPE	150PK	300 pk-A
POMP	NR150	NR300
BUIS ID(mm)	30	35
STAAF-ID (mm)	16	18
SLAG[mm]	200	210
MAXIMALE DRUK (balk)	103	69
Solliciteer HON	Tot 150 pk	Tot 300 pk

MINIMALE AFMETINGEN VAN DE SPATPOMP

Voordat u met de installatie begint, moet u ervoor zorgen dat de spatbak van uw boot de juiste volgende minimale afmetingen.

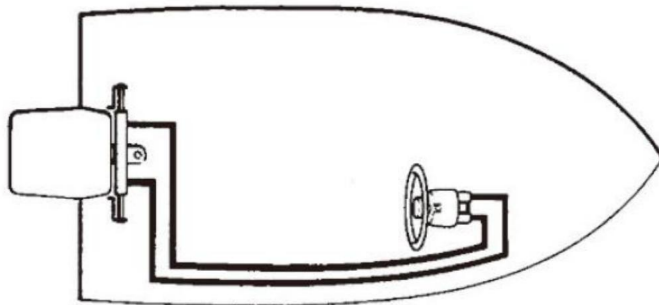


MINIMALE SPLASHWELL-AFMETINGEN

Aantal motoren	Een (mm)	B(mm)	C(mm)
1	560	152	152
2	1110	152	152

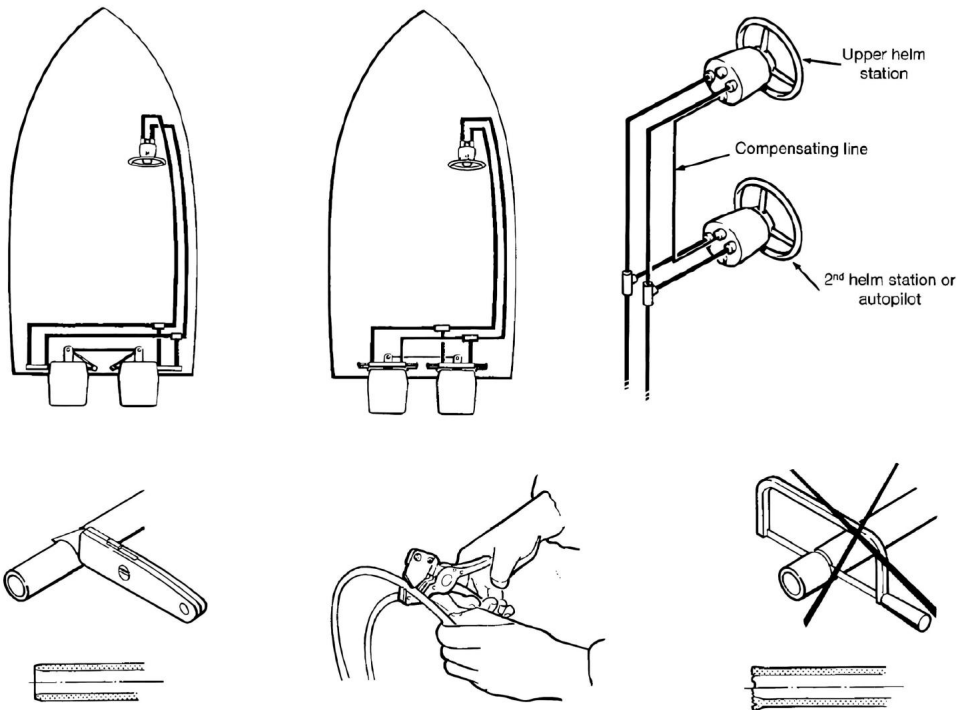
SLANGEN / FITTINGEN INSTALLATIE-POMP VERBINDING

Zie onderstaande illustraties voor de juiste aansluiting van de slangen van de roerpomp naar cilinder.



Voor NR150/NR300

Slangaansluiting



Wij adviseren om uitsluitend VEVOR-stuurslangen te gebruiken.

Probeer de slangen altijd via de kortste route te leiden om mogelijke problemen te voorkomen. verlies van vermogen. Om het ontluchten van het systeem gemakkelijker te maken, is het voorgesteld om de slangen horizontaal te monteren met een helling van ongeveer 3 cm per meter; de pompzijde moet hoger zijn dan de cilinderzijde.

Bescherm altijd de slangen die door een ander compartiment moeten lopen of Gebruik geschikte schotconnectoren of -hulzen.

Slangen moeten zo worden geïnstalleerd dat ze geen obstakel vormen voor andere componenten.

Verwijder de beschermende eindkappen pas als de slangen zijn geleid en aangesloten. Klaar om aan te sluiten op de stuurpomp, slang aansluiting of stuurcilinder(s).

Zorg voor voldoende slanglengtes om de cilinder door de hele machine te laten bewegen. draaicirkel en op-/neerwaartse trim-/kantelinstellingen van de motor(en).

Zorg ervoor dat de beschermkappen tijdens de installatie van de slang op hun plaats blijven. het einde van de slangen.

Aandacht:

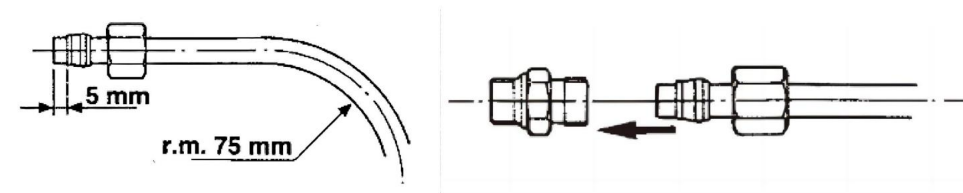
Installeer slangen niet op een plek waar ze worden blootgesteld aan hoge temperaturen, extreme temperaturen en extreme weersomstandigheden. hitte vermindert de slang barstdruk en kan ervoor zorgen dat de slang smelt, Oefen grote netheid. Zorg ervoor dat leidingen en slangen perfect schoon zijn en vrij van spanen.

Opmerking:

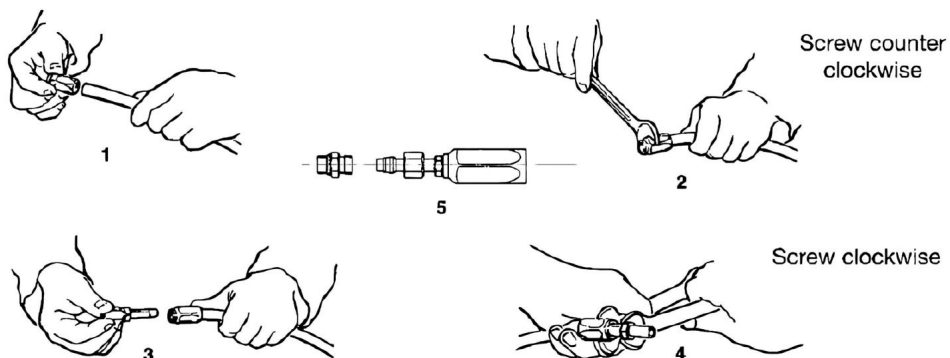
Flexibele slangen moeten worden gesneden met een scherp mes; gebruik nooit een zaag, omdat fragmenten van nylon in het hydraulisch systeem veroorzaken ernstige problemen

INSTALLATIE VAN HYDRAULISCHE SLANGEN

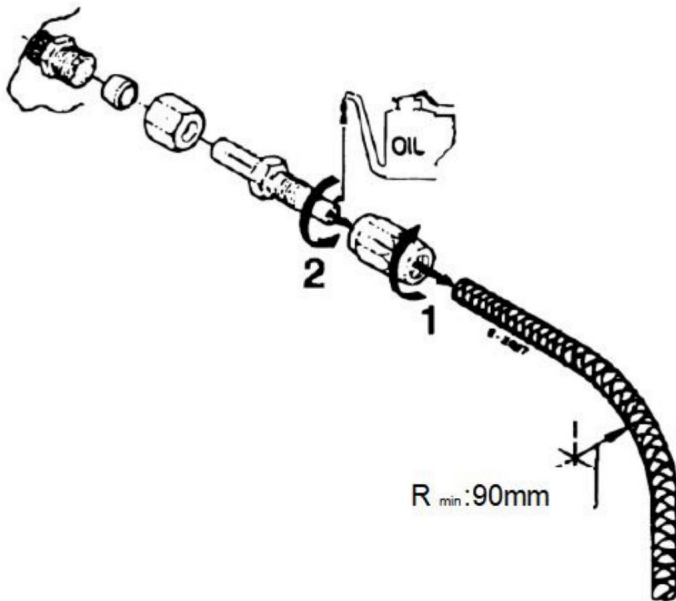
Nadat u de nylon slang hebt doorgesneden, plaatst u de koppelmoer en de steunhuls op de slang (controleer of deze goed in verhouding is met het uiteinde van de slang). Na het monteren van de moer, moet u deze vastdraaien met behulp van een sleutel.



Anders kunt u flexibele slangen monteren met recyclebare fittingen. Doe zoals de illustraties hieronder tonen.



Na de installatie de binnenkant van de slangen schoonmaken door erdoorheen te blazen met perslucht, om eventuele obstakels te vermijden en stof en vuil te verwijderen uit de opslag. Voor het ontluichten wordt ook voorgesteld om een spoeling van de systeem. Gebruik geen water.



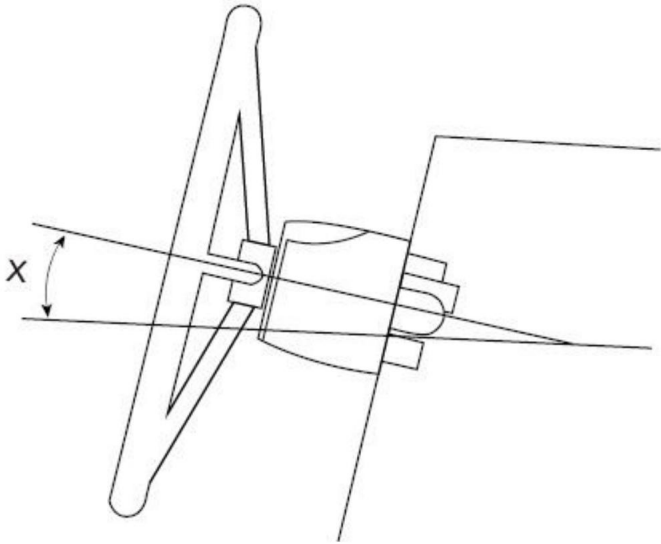
1. Schroef na het snijden de buiskoppelingshuls op de buis (linkshandig draad).
2. Olie de buiskoppeling en schroef deze in de huls. Zorg ervoor dat de interne omhulsel van de slang niet volgen tijdens het aandraaien van de schroef! Zorg er ook voor dat de binnenmantel van de slang niet wordt samengedrukt bij het aandraaien van de schroef.
3. Controleer of er geen interne interferentie is door een kleine schroevendraaier in de buis te steken koppeling voordat u met de installatie van de slang op het roer of de cilinder begint.

HYDRAULISCH RICHTINGSYSTEEM NR150/ NR300 INSTALLATIE

Installatiehulpmiddelen (Om de installatie van dit systeem te voltooien, hebt u het volgende nodig:

volgende hulpmiddelen):

Een boor van 9 mm	E.17mm installatiesleutel
B.30mm montagesleutel	F.12mm installatiesleutel
C.11mm installatiesleutel	G.24mm dopsleutel
D.19mm installatiesleutel	



Belangrijk:

voer de ontluchtingsprocedure handmatig uit en met de roerpomp gekanteld niet meer dan 20 graden (X).

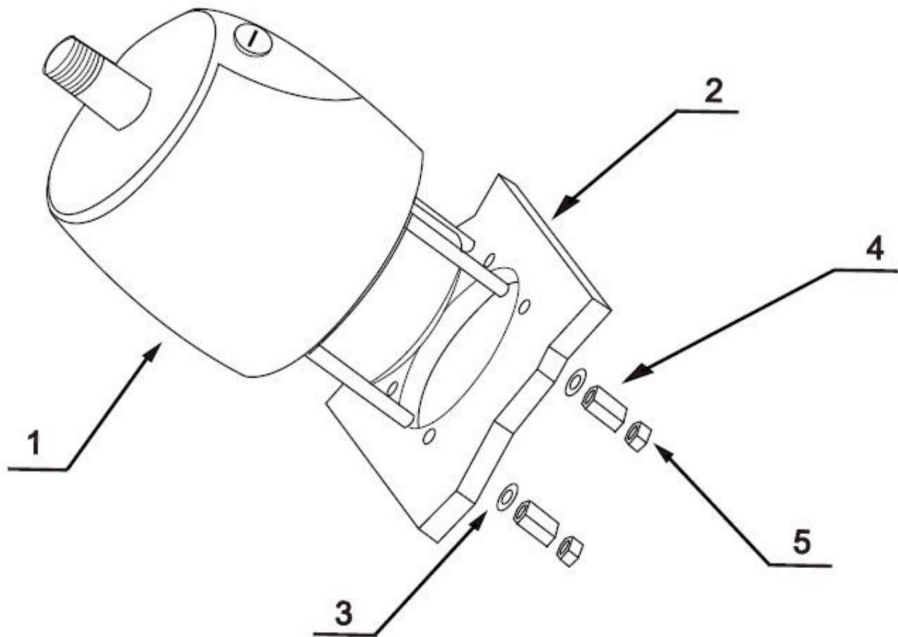
Stuurpomp NR300 Installatie:

Bepaal de hoek en positie van de installatie om ervoor te zorgen dat de besturing wiel stoort niet met andere apparatuur. Controleer of er nog voldoende

Ruimte achter het dashboard van de brug (2) voor montage- en leidingaansluitingen.

Als er geen montagegaten in het instrumentenpaneel zijn geopend, raadpleeg dan de boorhandleiding. sjabloon in de bijlage en open gaten op de juiste plaatsen.

Verdorie.	BESCHRIJVING	Hoeveelheid
1	Pomp	1
2	Bord	1
3	Vulstuk	4
4	Trekontlastingsmoer	4
5	Borgmoer	4



• Bevestig een 1: 1 toegangsgatmontagesjabloon (meegeleverd bij deze handleiding) aan de instrumentenpaneel en positioneer het montagegat zoals standaard met een gatenfrees.
• Boor een gat met een diameter van 77 mm en boor vier gaten met een diameter van 9 mm zoals afgebeeld op de montagesjabloon.

• Leid de gerangschikte slang door het middelste gat met een diameter van 77 mm en Sluit deze aan op de stuurpomp (1).

• Monteer de stuurpomp op het instrumentenpaneel met 4 ringen (3) en 4

trekcontlastingsmoeren (4), 4 borgmoeren (5), aanhaalmoment $\dot{\gamma}$ 15 N.

• Smeer het taps toelopende gedeelte van de as. Installeer de halfronde sleutel. Plaats de stuurwiel in de richting van de as en de stuurwielsleutel op de halfronde sleutel. Plaats de shim en draai de stuurslotmoer vast, de aanhaalmoment koppel is $\dot{\gamma}$ 20 N.

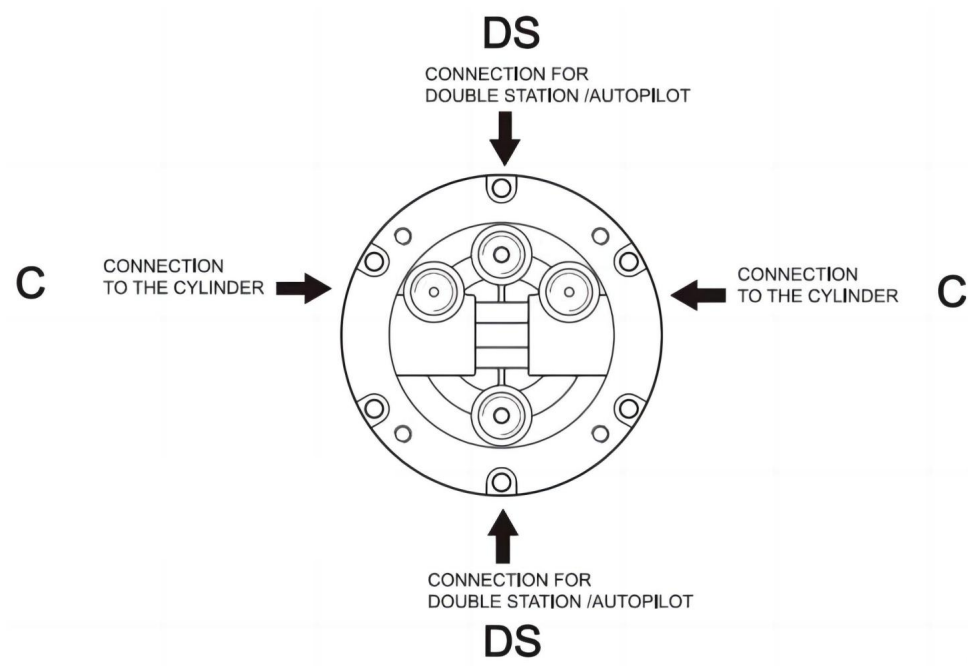
Opmerking:

• De stuurpomp moet worden gemonteerd onder een kantelhoek van X 20 graden. Als dit het geval is overschreden. Er kan lucht in de leiding komen, wat de stuurfunctie kan beïnvloeden.

ÿ Gebruik alleen zelfborgende bevestigingsmiddelen van VEVOR of standaardbevestigingsmiddelen. Als u in plaats daarvan niet-zelfborgende bevestigingsmiddelen gebruikt, kan het apparaat losraken of losraken.

ÿ Open het pompdekseel of de vuldop niet wanneer u de stuorpomp monteert, om te voorkomen dat er vuil en spaanders in de pomp komen en de stuurfunctie verstoren.

ÿ Teflon-achtige lintafdichtingen kunnen niet worden gebruikt op pijpnippels. Hierdoor kunnen er tapesplinters in de pompbehuizing terechtkomen, wat de stuurfunctie kan beïnvloeden. (De VEVOR-serie is een pijpschroefdraadafdichtingstechnologie waarvoor geen andere afdichtingstape nodig is.)



AANSLUITING KLEPPOORT:

Poort gemarkeerd met "C" aansluitingen op de cilinder(s)

Poort gemarkeerd met "DS"verbindingen naar het extra station of de automatische piloot

CILINDER 300HP INSTALLATIE

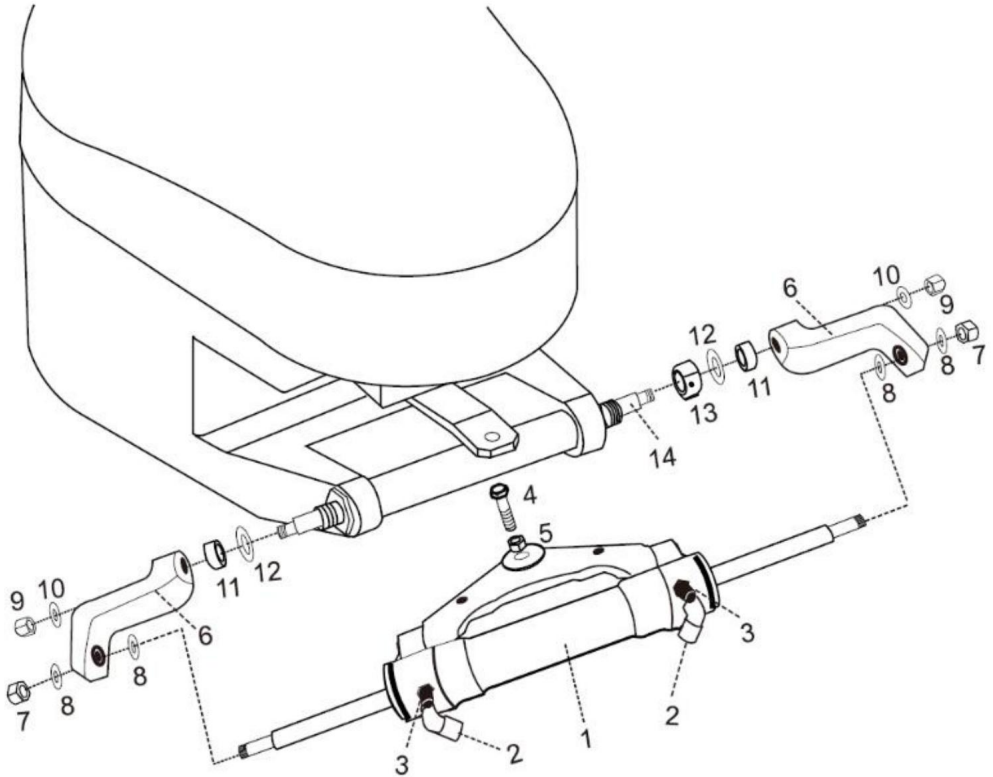
⚠ WAARSCHUWING:

Het is belangrijk om periodiek te controleren, ten minste elke 3 maanden (of elke maand voor professioneel gebruik), het juiste aanhaalmoment van deze bout en van de borgmoer.

De cilinderarm moet bij de meeste merken aan de motor-stuurarm worden bevestigd buitenboordmotoren. Als de helmstok andere onderdelen van de buitenboordmotor hindert, Deze kan ook onder de helmstok worden gemonteerd.

WAARSCHUWING:

Verwijder de rode doppen om de koppelingen van de slang te kunnen monteren.



Verdorie.	BESCHRIJVING	AANTAL	RIF.	BESCHRIJVING	Hoeveelheid
1	Cilinder	1	8	Beugel pakking	4
2	Slangaansluiting	2	9	Montagegastang zelfborgende moer	2
3	Ontluchtingsconnector	2	10	Zelfborgende moerring 2	
4	3/8-24 verbindingbout	1	11	Roestvrijstalen pakking	2

5	3/8-24 Borgmoer	1	12	Pad voor het aanpassen van de speling	2
6	Cilinderbeugel	2	13	Moer voor het afstellen van de speling	1
7	Zuigerstang zelfborgende moer 2		14	Montagegang	1

ÿ Controleer voordat u met de installatie begint of uw motor hiervoor geschikt is type cilinder en zorg ervoor dat de ruimte aan uw achterste boord voldoende groot is voor installatie.

ÿ Smeer vóór de installatie de bewegende verbindingdelen van de motor en de cilinder en de zuigerstang met gekwalificeerd smeermiddel voor de scheepvaart, en rechtzetten uw motor naar de middenpositie;

ÿ Draai de zelfborgende moeren (7) (9) aan beide uiteinden van de cilinderzuigerstang los en de montagegang en verwijder de montagegang (14), roestvrijstalen ring (12), spelingsafstellingsblok (11) spelingsafstellingsmoer (13), Na het verwijderen van de accessoires, installeer de montagegang (14) in het montagegat van de motor (zoals hierboven weergegeven);

ÿ Verwijder de bout (4) in het middelste gat van de beugel van de cilinderdriehoekplaat, pas de hoek van de motor aan, zodat deze overeenkomt met het gat op de motoraansluiting plaat, gebruik bouten (4) en moeren (5) om de cilinderdriehoekplaat aan de motor te bevestigen. Betaal Let op de linker- en rechterzwaai van de machine om ervoor te zorgen dat de cilinder mogen de beweging van de motor na installatie niet belemmeren.

ÿ Pas de hoek van de motor en de verlenglengte van de zuigerstang van de cilinder. Installeer de twee cilinderbeugels (6), de spleetafstelmoer (13), de roestvrijstalen pakking (12), en het blok voor het aanpassen van de spleet (11) aan de zuigerstang en de montagegang correct volgens de opening tussen de motor en de cilinder. (Zie afbeelding hierboven)

ÿ Nadat de installatie is voltooid, moet de moer voor het afstellen van de speling (13) worden naar links gedraaid en vergrendeld om de loopspleet van de cilinder te elimineren. Dat doen zal uw gebruikerservaring verbeteren.

ÿ Nadat de installatie is voltooid, duwt u uw motor naar links en rechts om een proefrit van de cilinder. Controleer of er interferentiedelen zijn wanneer de cilinder loopt heen en weer. Als er een storing is, moet u de installatie. Als er geen interferentie is, duw de motor dan naar het einde van de linker-/rechterzijde limiet. De volgende stap is om te tanken en uit te putten;



WAARSCHUWING:

Om te voorkomen dat u tegen de zuigerstang stoot, mag u bij de installatie niet met een sleutel of iets hards op de zuigerstang slaan. Als de zuigerstang gekneusd raakt, kan er hydraulische olie uit de oliecilinder lekken, wat uw productervaring negatief beïnvloedt.

Hydraulische richting van het gasafvoersysteem:

Voor deze werkwijze zijn twee personen nodig. Het kan zijn dat niet alle lucht uit het hydraulische systeem kan worden verwijderd door één persoon. Hierdoor is de uitgangsdruk van het hydraulische systeem niet hoog genoeg. Dit kan leiden tot zwakte, trage respons en dus een negatieve invloed op uw productervaring.

Gebruik voor het tanken speciale milieuvriendelijke hydraulische olie of andere gekwalificeerde speciale hydraulische olie. Gebruik geen remolie. Het gebruik van andere onaanvaardbare corrosieve olie kan onherstelbare schade aan uw systeem veroorzaken en ertoe leiden dat het product niet langer onder de garantie valt.

VOORZORGSMAATREGELEN:

Als u de pomp vult met hydraulische vloeistof voordat u de vulbuis op de pomp aansluit, verloopt het vullen sneller en eenvoudiger.

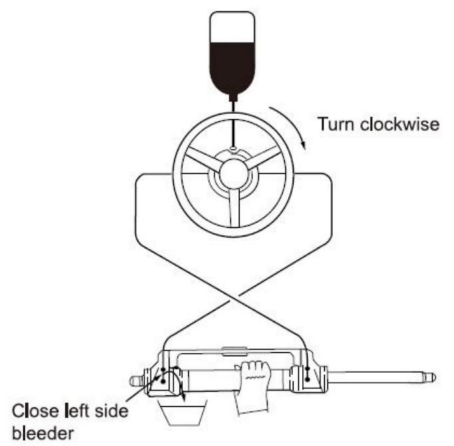
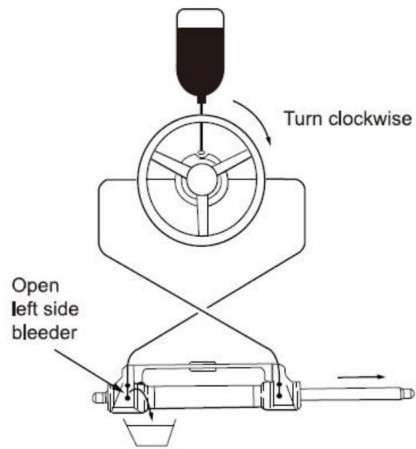
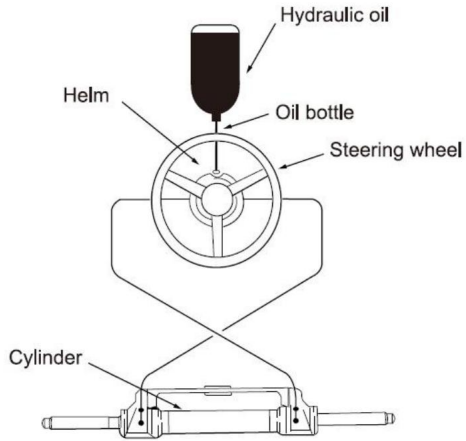
In noodgevallen kan tijdelijk niet-giftige, niet-corrosieve, niet-ontvlambare olie aan het systeem worden toegevoegd, maar het hele systeem moet daarna grondig worden gereinigd: Houd de vulbuis zichtbaar tijdens het hele vulproces. Laat geen olie in de pomp komen. Anders kan er lucht worden geïntroduceerd, waardoor de vultijd wordt verlengd. Tijdens het vulproces en het aftappen kan de hydraulische olie die is verzameld uit het ontluuchtingsspruitstuk van de cilinder, na enkele ogenblikken direct worden gebruikt. Bescherm het milieu en voer gebruikte olie op de juiste manier af. De speciale hydraulische olie die wordt geleverd door het VEVOR-systeem kan worden hergebruikt nadat deze is gefilterd door het filter met een gatdiameter kleiner dan of gelijk aan 38 µm.

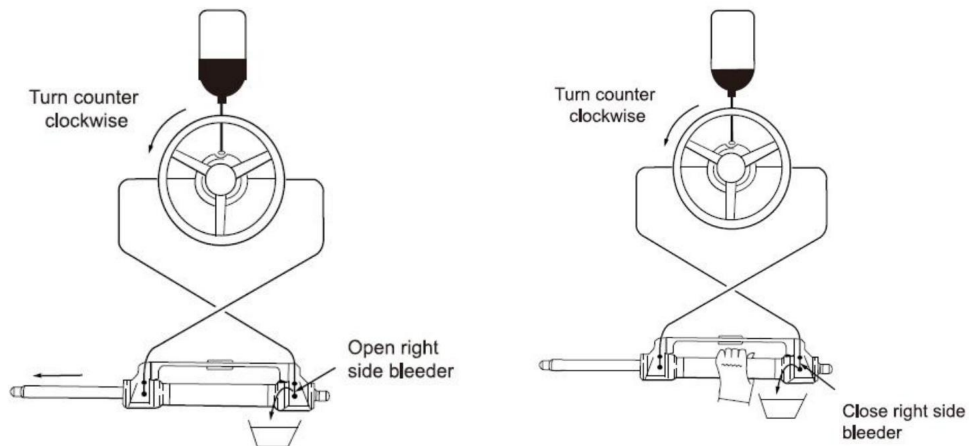
HERVUL- EN ONTLUCHTINGSSTAPPEN

ÿ Schroef de schroefdraad van de filetpijp die bij het systeem is geleverd in de poort van de brandstofpomp en draai deze vast om te bevestigen

dat deze luchtdicht is. ÿ Bevestig de scherpe bevestiging die bij dit systeem is meegeleverd op de dop van de oliefles. Steek de scherpe mond met enige kracht in de pomp en giet de olie in de brandstofvulpijp totdat u geen lucht meer ziet (de fles kan voorzichtig worden geknepen om

(Versnel het bijvullen.)





ÿ Draai het stuurwiel langzaam met de klok mee totdat één kant van de zuigerstang volledig is uitgeschoven. Monteer de uitlaatpijp op de intrekzijde van de zuigerstang om verzamel de olie die uit de

ontluchting komt. ÿ Houd de cilinder vast om te voorkomen dat de cilinder gaat draaien, draai de ontluichtingsnippel aan de zijkant van de ontluchter (niet losdraaien) volledig, het is voldoende als je de olie kunt zien) draai aan het stuur met de klok mee totdat u de binnenkant van de uitlaatpijp ziet, de uitgestoten olie is stabiel en grondig, geen bubbels, draai het stuurwiel tegelijkertijd vast de ontluichtingsmoer, sluit de uitlaataansluitingen;

ÿ Blijf het stuurwiel tegen de klok in draaien totdat de oorspronkelijke stand is bereikt. intrekingszijde van de zuigerstang volledig uitgeschoven, Monteer de uitlaatpijp op de Trek de zijkant van de zuigerstang terug om de olie die ontsnapt op te vangen.

ÿ Houd de cilinder vast om te voorkomen dat de cilinder gaat draaien. Draai de ontluichtingsmoer van één kant. (Draai hem niet helemaal los, het is voldoende als zolang je de olie kunt zien). Draai het stuurwiel met de klok mee totdat je zie de olie uit de leeglooppijp is stabiel slot , geen luchtbellen. Draai de ontluchter dicht , Sluit de leegloopvoorzieningen.

ÿ Draai het stuurwiel meerdere keren met de klok mee/tegen de klok in om controleer het aantal volledige roeromwentelingen (parametertabel) om te bepalen of de hydraulische vloeistof in de slang is volledig uitgesloten. Als er stilstaande lucht, het aantal volledige roer zal toenemen). Als er nog veel lucht is die niet uitgesloten is, herhaal dan de procedure. Als er een kleine hoeveelheid lucht is, doe

moet de volledige rotatie uitvoeren roer snel voor vele malen.	gas of fijne belletjes in de hydraulische olie. Verkeerde hydraulische olie werd gebruikt.	slang. Tank of ontlad op de juiste manier volgens de installatie handmatig Gebruik de juiste hydraulische olie.
Wanneer het systeem is volledig roer, de stuurwiel gewoon werkt niet	Er is vuil onzuiverheden in de hydraulische pompklep	Gebruik de "band"-afdichting niet tape op de interface. Demonteer de hydraulische pomp om het vuil schoon te maken.
Het systeem kan sturen het schip gemakkelijk wanneer het schip ligt stil, Het is echter heel moeilijk te sturen terwijl zeilen.	Klein stuurwiel werd geselecteerd. Motorverbinding is niet correct ingesteld, Airbag wordt gegenereerd in het systeem en de lucht zijn niet uitgesloten volledig. Systeemconfiguraties vermogenslimieten overschrijden.	Overstappen op een grotere besturing wiel waarvan het maximum diameter is zonder overschrijding 56 cm. Motoraansluiting afstellen instellingen correct. Controleer het olieoppervlak van hydraulische pomp, reset de correct tanken en ontluchten.
Stuurwiel draait naar de linker bakboordzijde, Schip draait naar rechts	Verkeerde olieleiding verbinding	Verwissel de twee olieleidingen van de cilinder met elkaar en installeer ze.
Cilinder kan niet geïnstalleerd op de motor.	Elke cilinder vereist bijbehorende motor model.	Raadpleeg de handleiding of de klantenservice van de dealer om het model te wijzigen.

Wanneer de roerpomp het stoppunt bereikt (cilinder volledige slag), een kleine hoeveelheid van hydraulische drift is normaal en de roerpomp is niet 100% vergrendeld

ONDERHOUD

WAARSCHUWING:

Door de hieronder beschreven routinematige onderhoudsschema's te volgen, kunt u, in het tijdsbestek u jarenlang plezier hebben van uw VEVOR-stuursysteem.

Houd u en uw passagiers veilig voor de gevaren die op en naast uw auto aanwezig zijn.

water.

Het niet naleven van de onderhoudscontroles kan leiden tot verlies van de besturing, waardoor materiële schade en/of persoonlijk letsel.

Inspecties zijn elk jaar nodig en moeten worden uitgevoerd door gespecialiseerde scheepswerktuigkunde.

Controleer de as en de o-ringen van de cilinder, de o-ringen van de roerpomp, de aansluitingen van de cilinder en de roerpomp om lekkages te voorkomen.

Controleer of alle bevestigingsmiddelen/fittingen in het hele stuursysteem goed vastzitten.

Reinig het systeem met schoon water en een niet-schurende vloeistof.

Reinigingsvloeistoffen die ammoniak bevatten, zuren of andere bijtende ingrediënten moeten mogen niet worden gebruikt voor het reinigen van onderdelen van het hydraulische stuursysteem.

Gebruik geen remolie of automatische transmissievloeistof (ATE). Gebruik alleen compatibele hydraulische oliën.

Vóór elk gebruik:

ÿ Controleer het vloeistofniveau in de hoogste stuurpomp.

ÿ Controleer de onmiddellijke stuurreactie bij het draaien aan het stuurwiel (de stuurwielen) (zorg ervoor dat motor draait als het stuurwiel gedraaid wordt).

ÿ Controleer alle stuurslangen en koppelingen visueel op slijtage, knikken en/of lekkages.

ÿ Controleer op binding, losse , versleten of lekkende stuurcomponenten.

Waarschuwing:

ÿ Gebruik de boot NIET als een onderdeel niet naar behoren functioneert.

ÿ Maak in dit geval onmiddellijk foto's en neem contact op met uw dealer.

Na de eerste 20 uur , dan elke 100 uur of 6 maanden (afhankelijk van wat het eerst komt):

ÿ Alle hierboven genoemde punten

ÿ Controleer of ALLE bevestigingsmiddelen/fittingen in het hele stuursysteem goed vastzitten.

Vastdraaien volgens de juiste aanhaalmomentspecificaties is vereist.

ÿ Controleer op mechanische speling of speling in het hele stuursysteem, corrigeer indien nodig vereist.

ÿ Controleer op tekenen van corrosie. Neem contact op met uw dealer als er sprake is van corrosie.

Na elke 200 uur of 12 maanden (afhankelijk van wat

komt eerst):

ÿ Alle hierboven genoemde punten.

ÿ Verwijder de steunstang van de motorstuur-/kantelbuis. Reinig de motorstuur-/kantelbuis buis en opnieuw invetten met behulp van een goede kwaliteit marine vet

ÿ Vet de steunstang rijkelijk in.

ÿ Smeer alle contactpunten die in de cilinder- en trekstanginstallaties zijn aangegeven.

Verwijder NIET de disselbout om deze opnieuw in te vetten.

ÿ Verwijder het stuurwiel en vet de wielas opnieuw in met een goede kwaliteit marineolie.
vet.

ÿ Controleer de hydraulische olie op reinheid , indien nodig doorspoelen.

ÿ Alle werkzaamheden die aan het stuursysteem worden uitgevoerd, MOETEN door een gekwalificeerde monteur met praktische kennis van het systeem.

Fabrikant: Shanghaimuxinmuyeyouxiangongsi

Adres: Shuangchenglu 803nong11hao1602A-1609shi, baoshanqu, shanghai 200000 CN.

Geïmporteerd naar AUS: SIHAO PTY LTD. 1 ROKEVA STREETEASTWOOD NSW 2122 Australië

Geïmporteerd naar de VS: Sanven Technology Ltd. Suite 250, 9166 Anaheim Plaats, Rancho Cucamonga, CA 91730



YH CONSULTING LIMITED.

C/O YH Consulting Limited Kantoor 147,
Centurionhuis, Londenweg,
Staines-upon-Thames, Surrey, TW18 4AX



E-CrossStu GmbH

Mainzer Landstr.69,
60329 Frankfurt am Main.

VEVOR[®]

TOUGH TOOLS, HALF PRICE

**Technische ondersteuning en e-
garantiecertificaat www.vevor.com/support**

VEVOR[®]

TOUGH TOOLS, HALF PRICE

Teknisk support och e-garanticertifikat www.vevor.com/support

UTBORDARE HYDRAULIK STYRNING SYSTEM

MODELL: NR150/NR300

Vi fortsätter att vara engagerade i att ge dig verktyg till konkurrenskraftiga priser. "Spara hälften", "halva priset" eller andra liknande uttryck som används av oss representerar bara en uppskattning av besparingar du kan dra nytta av att köpa vissa verktyg hos oss jämfört med de stora toppmärkena och betyder inte nödvändigtvis att täcka alla kategorier av verktyg som erbjuds av oss. Du påminns vänligen om att noggrant kontrollera när du gör en beställning hos oss om du faktiskt sparar hälften i jämförelse med de främsta stora varumärkena.

VEVOR[®]
TOUGH TOOLS, HALF PRICE

UTOMBOORDARE HYDRAULIK
STYRSYSTEM

MODELL: NR150/NR300



<Endast bild för referens>

BEHÖVER HJÄLP? KONTAKTA OSS!

Har du produktfrågor? Behöver du teknisk support? Kontakta oss gärna: **Teknisk support och e-**
garanticertifikat www.vevor.com/support

Detta är den ursprungliga instruktionen, läs alla instruktioner noggrant innan du använder den. VEVOR reserverar sig för en tydlig tolkning av vår användarmanual. Utseendet på produkten är beroende av den produkt du fått. Ursäkta oss att vi inte kommer att informera dig igen om det finns någon teknik eller mjukvaruuppdateringar på vår produkt.

VIKTIGA SÄKERHETSÅTGÄRDER



VARNING: Läs och förstå hela denna manual innan använda eller serva denna produkt. Underlåtenhet att följa dessa varningar och instruktioner kan orsaka personskada eller skada på värdefulla föremål egendom.

Försiktighetsåtgärder vid montering

1. Montera endast enligt dessa instruktioner. Felaktig montering kan skapa faror.
2. Håll monteringsområdet rent och väl upplyst.
3. Håll åskådare borta från området under monteringen.
4. Montera inte när du är trött eller påverkad av alkohol, droger eller medicin.
5. Produktegenskaper gäller endast för korrekt och färdigmonterad produkt.
6. För ytterligare information om delarna som listas på följande sidor, se monteringsdiagrammet i denna manual. Packa upp och separera allt delar i ett rent arbetsområde. Förvara små reservdelar utom räckhåll för barn.

SPARA DESSA INSTRUKTIONER

Tack för att du köpte VEVOR hydrauliska styrsystem.

Denna manual kommer att utveckla de olika funktionerna i detta system så att du kan fullt ut upplev den premiumglädje som denna produkt kan ge dig.

ÿ VEVOR hydrauliska styrsystem är baserat på konceptet modern industri design, hög effektivitet, hög överföringseffekt kolvpump teknik är tillämpas på design och tillverkning av fartygsstyrinrättningar, vilket gör din styrsystem stabilare, smartare och mer pålitlig.

ÿ Huvudkomponenterna i styrväxeln är en höghållfast aluminiumlegering och rostfritt stål som kan användas i tuffa marina förhållanden och förlänga livslängd på styrväxeln.

ÿ Styrväxeln kommer att befria dig från det tunga och oflexibla mekaniska axelstyrning, som kan rädda dina ömma armar. Det kan öka njutningen av köra motorbåt.

HUVUDFUNKTIONER

• Styrpumpen är med kompakt inre struktur och den fashionabla och vackert utseende. •

Tvåvägs Inbyggd låsventil eliminerar returmomentet. • Lätt att byta ut axeltätningen, användarvänlig design;

• Styrexel med speciell ytbehandling har inte bara styrka och tillförlitlighet, men har också egenskaperna för slitstyrka, korrosionsbeständighet. •

Höghållfast aluminiumlegeringsskal och ytbehandlingsprocess kan säkerställa dess slitage- och korrosionsbeständighet och förhindrar vattenerosion effektivt.

• Rörledningar: Höghållfast nylon snabbpassande 1/4-rörkopplingar gör installationen kompakt och den är

återanvändbar. • Användningen av anpassad hydraulolja av hög standard kan förbättra smörjningen delar och tätningsskydd .



ALLMÄNNA SÄKERHETSREGLER OCH GARANTI

Denna installations- och underhållsmanual är en integrerad del av produkten och måste förstås fullt ut av användaren innan installationen.

Installation, underhåll och överföring av hydrauliskt styrsystem

komponenter i VEVOR-serien av produkter måste utföras av auktoriserade och kvalificerade professionella tekniker. VEVOR-serien av produkter implementerar

garanti för två år efter försäljningsservice, vid användning av produkten, om det finns någon fråga eller problem, kontakta återförsäljaren i tid. VEVOR kommer att tillhandahålla rätt vägledning. VEVOR tar inte ansvar för konsekvenserna av ootillåten demontering eller demontering.

Utan att det påverkar produktens natur har VEVOR rättigheterna att tillverka

ändringar av beskrivningsinformationen och illustrationerna i denna manual VEVOR tar , inget ansvar för de negativa konsekvenserna

genom att hantera denna manual på något annat olagligt sätt som gör att användaren inte kan följa standardinstallationsanvisningarna.

FÖRSIKTIGHETSÅTGÄRDER FÖR INSTALLATION

• Använd endast komponenter som tillhandahålls av VEVOR, Delarna som levereras av den andra tillverkar

• kan orsaka säkerhetsrisker och påverka styrfunktionen;

• På alla röranslutningsgångor, endast tätningar som Loctite PST eller motsvarande tätningemedel bör användas. Använd inte (banding) eller liknande tätningstejp, eftersom detta kan låt skräp komma in i pumpkroppen och orsaka blockering av röret.

• Använd 10 # eller 15 # speciell hydraulolja som är kvalificerad och miljövänlig. Användning av annan olja (som bromsolja) istället kan orsaka irreparabel skada på din utrustning, vilket orsakar förlust av styrfunktion och nr garanti.

• Rörets minsta böjningsradie är 1 "18 (30 cm). Rör inte vid vassa föremål. Fortsatt böjning, gnuggning, repning eller vridning kan orsaka röret skadas och brister på grund av det normala styrtrycket, vilket orsakar förlust av styrfunktion.

• Låt inte röret falla fritt när du använder det, använd tråd eller annan PVC material att fixa för att undvika potentiella säkerhetsrisker.

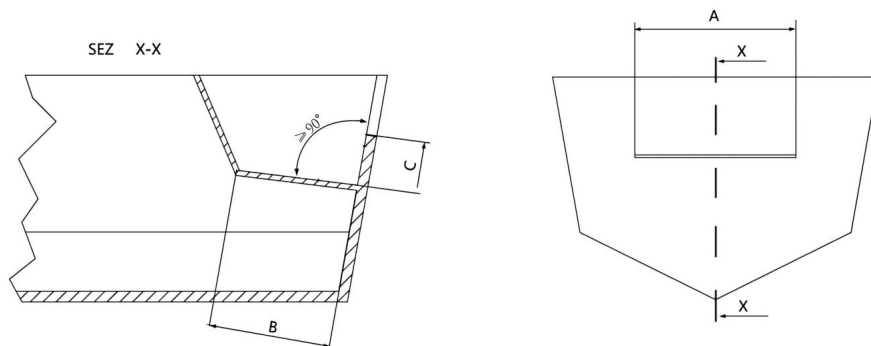
• Regelbundet underhåll av systemkomponenter och inspektion av rör och beslag för slitage eller skador kan förlänga livslängden på din utrustning.

TEKNISK INFORMATION

TYP	150 hk	300HP-A
PUMP	NR150	NR300
RÖR ID (mm)	30	35
ROD ID (mm)	16	18
SLAG[mm]	200	210
MAX TRYCK (stapel)	103	69
ANSÖK HON	Upp till 150 hk	Upp till 300 hk

MINIMUM STÄNKBRUNNENS DIMENSIONER

Innan du försöker installera, se till att stänkbrunnen på din båt har följande minimimått.

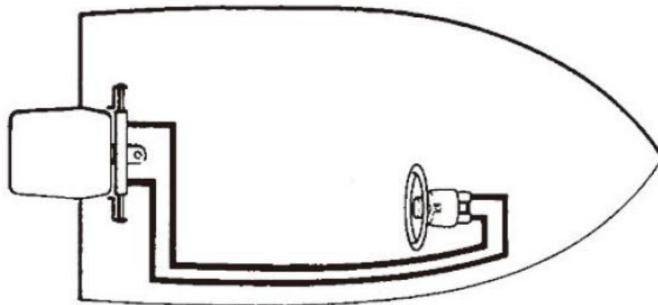


MINIMUM SPLASHWELL

Antal motorer	A(mm)	B(mm)	C(mm)
1	560	152	152
2	1110	152	152

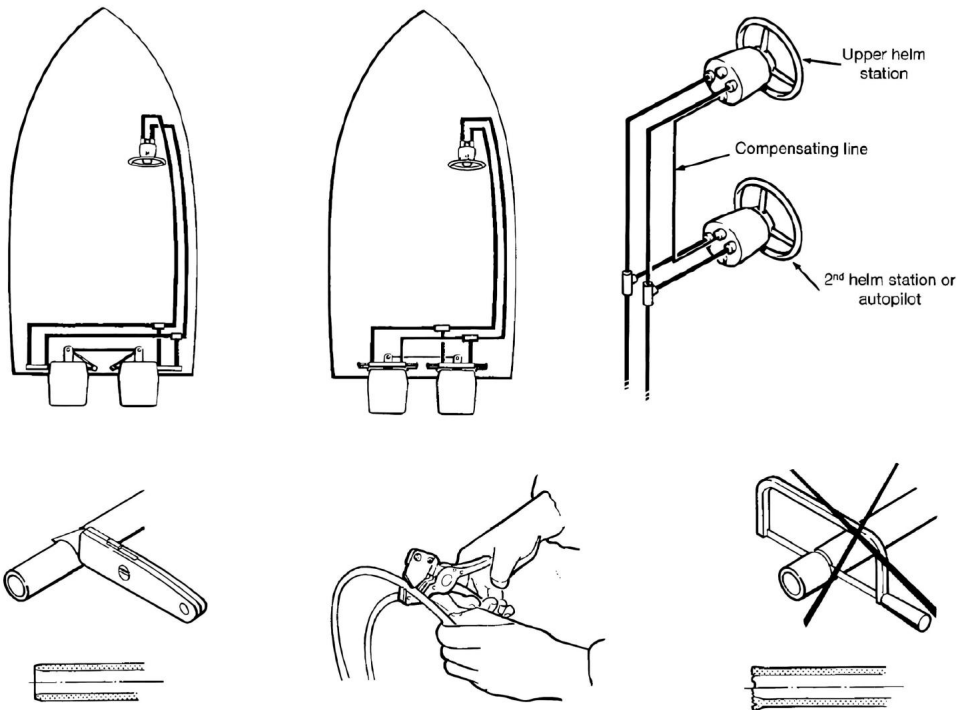
SLANGAR / ANSLUTNINGAR INSTALLATIONS PUMP FÖRBINDELSE

Se illustrationerna nedan för korrekt anslutning av slangar från styrpumpen till cylinder.



För NR150/NR300

Slanganslutning



Vi rekommenderar att endast VEVOR-styrslangar används.

Försök alltid att dra slangarna via den kortaste vägen för att undvika eventuella förlust av kraft. För att underlätta luftavlutningen av systemet är det föreslås att montera slangarna horisontellt med en lutning på ca 3 cm per meter; pumpsidan måste vara högre än cylindersidan.

Skydda alltid slangarna som måste passera genom ett annat fack eller använd lämpliga skottkopplingar eller hylsa.

Slangen måste installeras på ett sådant sätt att de inte utgör ett hinder för andra komponenter.

Ta inte bort skyddande ändkåpor förrän slangarna har dragits och är redo att anslutas till styrpumpen, slangkopplingen eller styrcylindern(ar).

Sörj för tillräckliga slanglängder för att tillåta cylinderrörelse genom hela vridning av båge och upp/ned trim/tiltinställningar för motorn/motorerna.

Se till att skyddslocken förblir installerade under hela slanginstallationen änden av slangarna.

Uppmärksamhet:

Installera inte slangar i ett område där de kommer att utsättas för hög värme, Extreme värme minskar slangens sprängtryck och kan orsaka att slangerna smälter. Utöva stor renlighet.

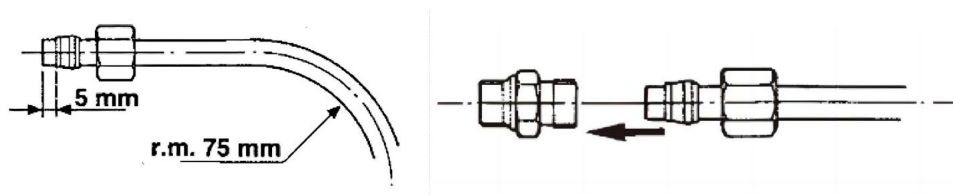
Se till att rör och slangar är helt rena och fria från spån.

Notera:

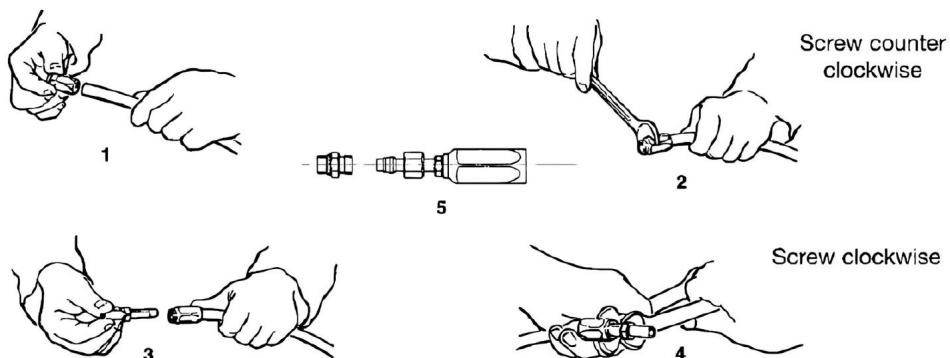
Böjliga slangar måste skäras av med en vass kniv; använd aldrig en såg som fragment av nylon i hydraulsystemet orsakar allvarliga problem

INSTALLATION AV HYDRAULIKSLANG

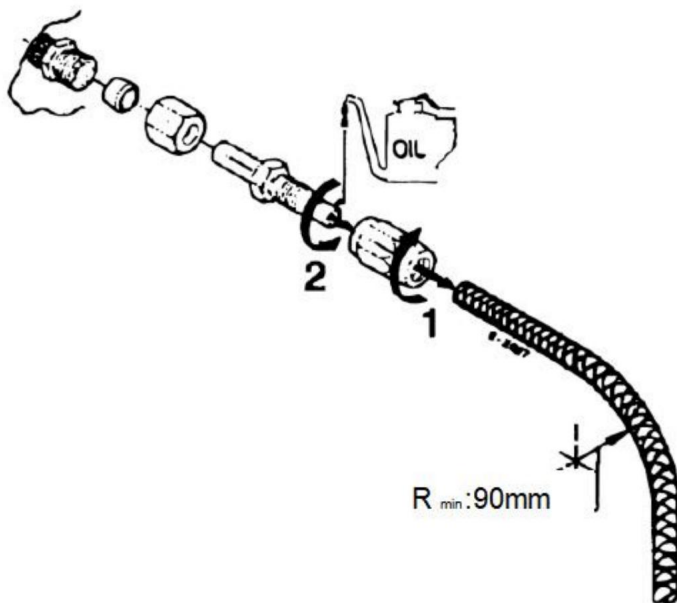
Efter att ha kapat nylonslangen, montera kopplingsmuttern och stödhylsan på slangens (kontrollera att den är ordentligt i förhållande till änden av slangens). Efter monteringen av muttern måste du dra åt med hjälp av en skiftnyckel.



Annars kan du montera flexibel slang med återvinningsbara kopplingar. Gör som illustrationerna nedan visar.



Rengör insidan av slangarna efter installationen genom att blåsa igenom dem tryckluft, för att undvika hinder och för att ta bort damm och skräp från lager. Innan luften blöder, föreslås det också att göra en sköljning av system. Använd inte vatten.

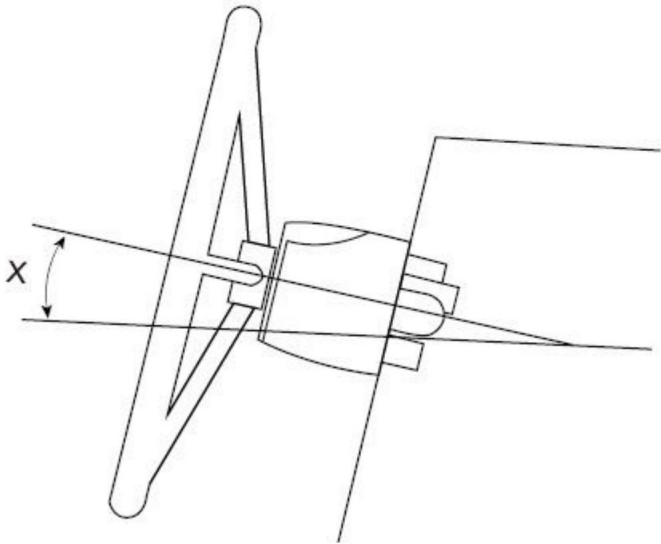


1. Efter kapning, skruva fast rörkopplingshylsan på slangens (vänsterhänt tråd).
2. Olja in rörkopplingen och skruva fast den i hylsan. Se till att den inre manteln av slangdosen följer inte när skruven dras åt! Se också till att den inre manteln på slangens inte kläms när skruven dras åt.
3. Kontrollera att det inte finns några inre störningar genom att stoppa in en liten skruvmejsel i röret koppling innan du fortsätter med slanginstallation till rodet eller cylindern.

HYDRAULISKA RIKTNINGSSYSTEM NR150/ INSTALLATION NR300

Installationsverktyg (För att slutföra installationen av detta system behöver du följande verktyg):

A. 9 mm borr	E. 17mm monteringsnyckel
B. 30mm monteringsnyckel	F. 12mm monteringsnyckel
C. 11mm installationsnyckel	G. 24mm hylsnyckel
D. 19mm installationsnyckel	



Viktig:

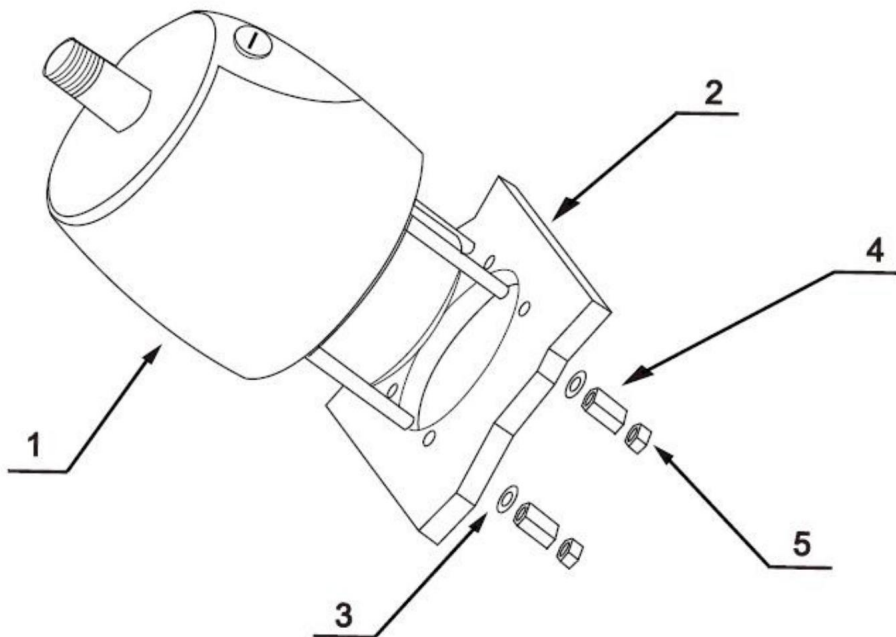
utför blödningsproceduren manuellt och med styrpumpen lutad inte mer av 20 grader (X).

Styrpump NR300 Installation:

Bestäm vinkeln och positionen du installerar för att säkerställa att styrningen wheel inte stör annan utrustning. Kontrollera att det fortfarande finns tillräckligt utrymme bakom bryggans instrumentbräda (2) för montering och röranslutningar.

Om inga installationshål i instrumentpanelen har öppnats, se borringen mall i fästet och öppna hål i lämpliga lägen.

RIF.	BESKRIVNING	ANTAL
1	Pump	1
2	Styrelse	1
3	Shim	4
4	Dragavlastningsmutter	4
5	Låsmutter	4



• Fäst en 1:1 monteringsmall för åtkomsthål (ingår i denna manual) på instrumentpanelen och placera monteringshålet som standard med en hålskärare.

• Borra ett 77 mm diameter hål och borra fyra 9 mm diameter hål som visas på monteringsmall.

• Dra den arrangerade slangen genom det mittersta hålet med en diameter på 77 mm och anslut den till styrpumpen (1).

• Installera styrpumpen på instrumentpanelen med 4 brickor (3) och 4

Dragavlastningsmutterar (4), 4 låsmutterar (5), åtdragningsmoment ≥ 15 N.

• Smörj den koniska delen av axeln. Installera den halvcirkelformade nyckeln. Placera rattan i riktningssaxeln och rattens kilväg på halvcirkelformad nyckel. Placera mellanlägget och dra åt styrlåsmuttern, åtdragningen vridmomentet är ≥ 20 N.

Notera:

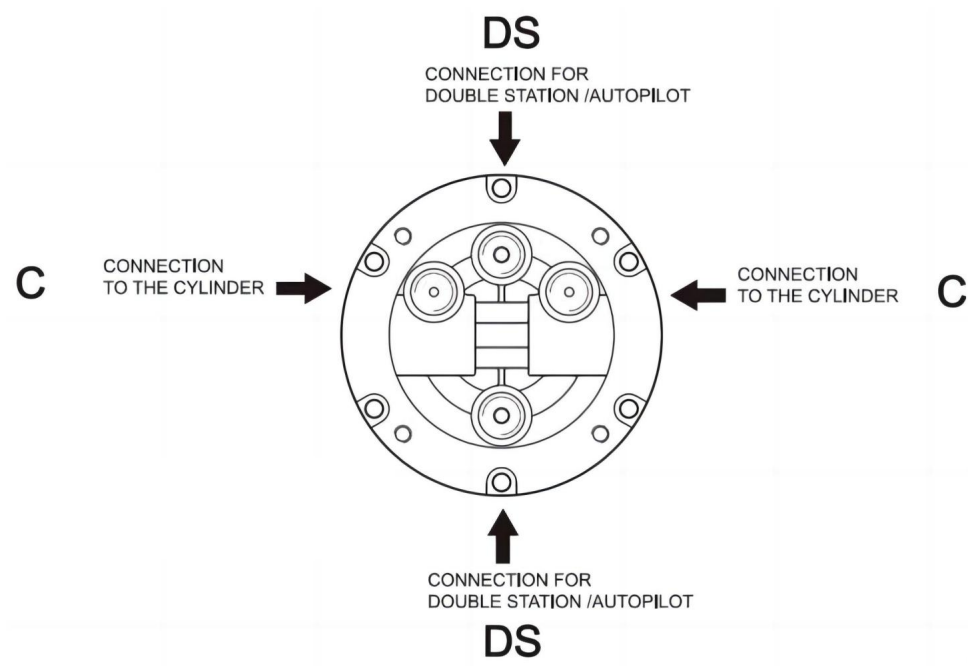
• Styrpumpen ska monteras med en lutningsvinkel på X 20 grader. Om det är det överskridits, det kan leda till att luft kommer in i kanalen och påverkar styrfunktionen.

• Använd endast självlåsandastelement från VEVOR eller standardfästen.

Användning av icke-självlåsande fästelement istället kan göra att utrustningen lossnar eller separeras.

• Öppna inte pumplocket eller påfyllningslocket när du installerar styrpumpen för att förhindra att smuts och flis kommer in i pumpen och orsakar styrfunktionen.

• Teflonliknande bandtätningar kan inte användas på rörnipplar, vilket kan göra att tejpsspån tränger in i pumphuset och därmed påverkar styrfunktionen. (VEVOR-serien är en tätningsteknik för rörgångor som inte kräver användning av andra tätningstejptätningar.)



ANSLUTNING AV VENTILPORTAR:

Port märkt "C" anslutningar till cylindern/cylindrarna

Port märkt "DS" anslutningar till den extra stationen eller autopiloten

CYLINDER 300HK INSTALLATION

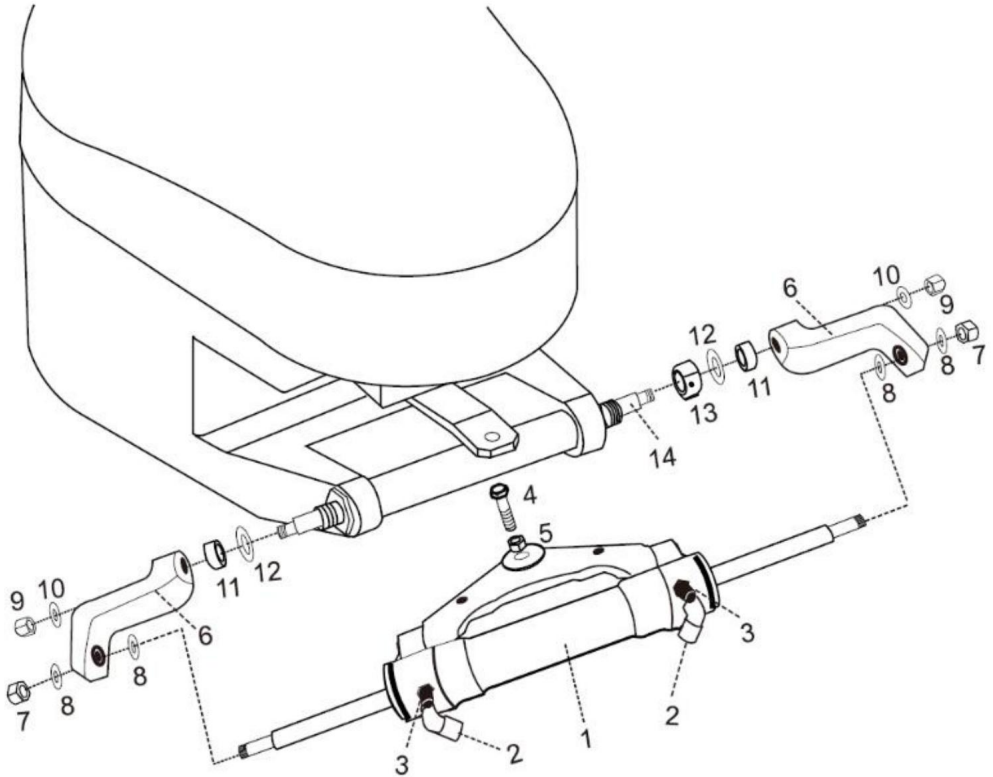
⚠VARNING:

Det är viktigt att kontrollera regelbundet, åtminstone var tredje månad (eller varje månad för professionell användning), rätt vridmoment för denna bult och låsmuttern.

Cylinderarmen bör fästas på motorstyrarmen på de flesta märken av utombordare .i händelse av att rorkulten stör andra delar av utombordaren då den kan istället monteras under rorkulten.

⚠️ VARNING:

Ta bort de röda locken för att installera slangens kopplingar.



RIF.	BESKRIVNING	ANTAL	RIF.	BESKRIVNING	ANTAL
1	Cylinder	1	8	Fäste packning	4
2	Slangkoppling	2	9	Monteringsstång självslåsande mutter	2
3	Ventilationskontakt	2	10	Självslåsande mutterbricka 2	
4	3/8-24 anslutningsbult	1	11	Rostfri packning	2

5	3/8-24 Låsmutter	1	12	Gap justeringsplatta	2
6	Cylinderfäste	2	13	Spaltjusteringsmutter	1
7	Kolvstång självlåsande mutter 2		14	Monteringsstång	1

• Innan du försöker installera, kontrollera om din motor är lämplig för detta typ av cylinder och se till att ditt akterbrädeutrymme är tillräckligt stort för installation.

• Smörj motorns rörliga anslutningsdelar före installationen och cylindern och kolvstången med kvalificerat marinsmörjmedel, och räta ut din motor till mittläget;

• Lossa de självlåsande muttrarna (7) (9) i båda ändarna av cylinderns kolvstång och monteringsstången och ta bort monteringsstången (14), brickan av rostfritt stål (12), spelrumsjusteringsblocket (11) spelmuttern (13), efter att ha tagit bort tillbehör, installera monteringsstången (14) i monteringshålet på motorn (som visas ovan);

• Ta bort bulten (4) i mitthålet på cylindertriangelplattans fäste, justera vinkeln på motorn, motsvarar hålet på motoranslutningen plåt, använd bultar (4) och muttrar (5) för att fästa cylindertriangelplattan på motorn. Betala uppmärksamhet åt vänster och höger svängning av maskinen för att säkerställa att cylindern kommer inte störa motorns rörelse efter installationen.

• Justera vinkeln på motorn och förlängningslängden på kolvstången cylinder. Montera de två cylinderfästena (6), spaltjusteringsmuttern (13), den rostfri packning (12), och spaltjusteringsblocket (11) till kolvstången och monteringsstången korrekt enligt gapet mellan motorn och cylinder.(Se bilden ovan)

• När installationen är slutförd ska spaltjusteringsmuttern (13) vara vrids åt vänster och låses för att eliminera cylinderns löpgap. Att göra det kommer att förbättra din användningsupplevelse.

• När installationen är klar, tryck din motor åt vänster och höger för att göra en provkörning av cylindern. Kontrollera om det finns störande delar när cylindern går fram och tillbaka. Om det finns störningar måste du justera om installation. Om det inte finns några störningar, tryck motorn till slutet av vänster/höger begränsa. Nästa steg är att tanka och avgas;

VARNING:

Vid installation, för att undvika att stöta kolvstången, är det förbjudet att slå kolvstången med skiftnyckel eller något hårt. Om kolvstången är skadad, kommer det att orsaka hydrauloljeläckage av oljecylindern vilket kommer att äventyra din produktupplevelse.

Hydraulisk riktning för gasavgassystemet:

Denna arbetsprocedur kräver två personer för att arbeta. en person kanske inte helt kan ta bort all luft inuti hydraulsystemet, vilket resulterar i att hydraulsystemets utgående tryck inte är tillräckligt, effekten av svaghet svaghet, långsam respons, vilket påverkar din produktupplevelse.

Använd speciell miljövänlig hydraulolja eller annan kvalificerad specialhydraulolja för tankning, Använd inte bromsolja. Användning av annan oacceptabel frätande olja kan orsaka irreparabel skada på ditt system och resultera i att produkten inte kan garanteras.

FÖRSIKTIGHETSÅTGÄRDER:

Om du fyller pumpen med hydraulvätska innan du ansluter påfyllningsröret till pumpen, kan påfyllningsproceduren göras snabbare och enklare.

I nödfall kan all ogiftig, icke-frätande, icke brandfarlig olja tillfälligt tillföras systemet, men hela systemet måste rengöras noggrant efteråt: Vänligen håll tankningsröret synligt under hela tankningsprocessen.

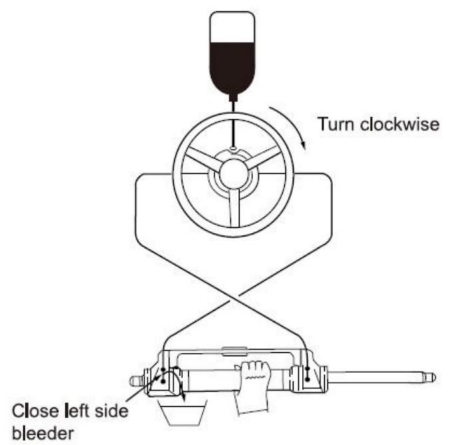
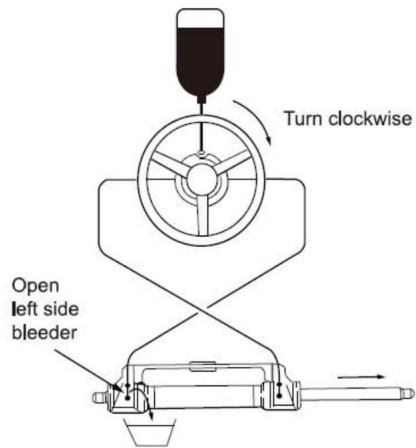
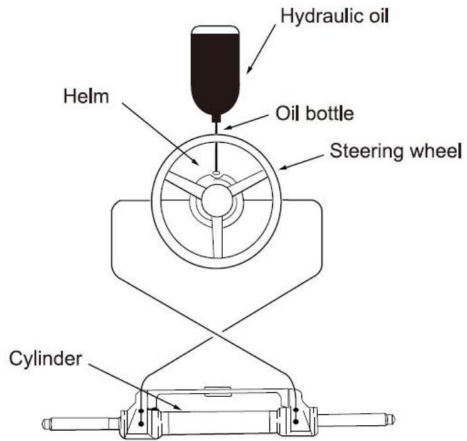
Låt inte olja komma in i pumpen. Annars kan luft införas för att öka tankningstiden. Under processen att tanka och tömma ut kan hydrauloljan som samlas upp från cylinderns luftluftningsgrenrör användas direkt efter några ögonblick. Skydda miljö och kassera använd olja på rätt sätt. Den speciella hydrauloljan som tillhandahålls av VEVOR-systemet kan återanvändas efter att ha filtrerats av filtret med håldiametern mindre än eller lika med 38um.

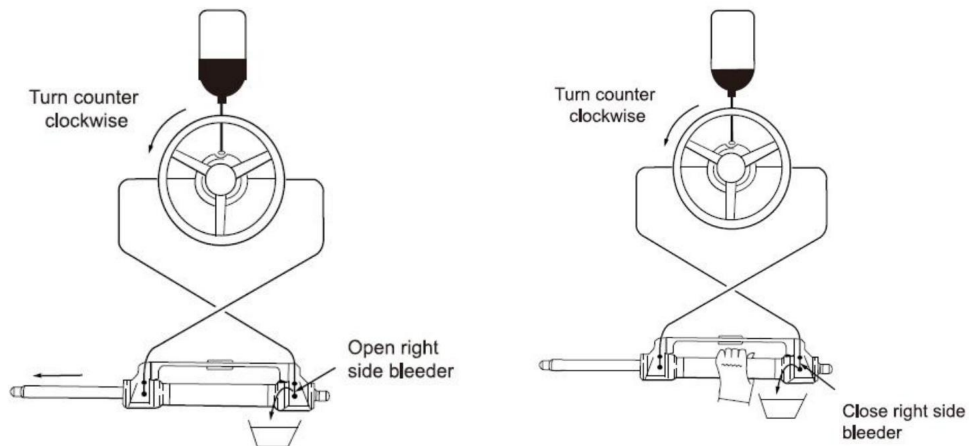
PÅFYLLNING OCH LUFTNINGSTEG

ÿ Skruva fast filérörets gänga som är utrustad med systemet i bränslepumpsporten och dra åt för att

bekräfta att den är lufttät ÿ Montera det vassa fästet som medföljer detta system på oljeflaskans lock. Sätt in den vassa munnen i pumpen med viss kraft, håll oljan i bränslepåfyllningsröret tills du inte kan se luften (flaskan kan klämmas

snabba på påfyllningen.)





• Vrid ratten långsamt medurs tills ena sidan av kolvstången är helt utdragen. Montera avgasröret på den indragna sidan av kolvstången till samla upp oljan från

ventilationen. • Håll i cylindern för att förhindra att cylindern vrider sig, skruva loss tömningsnippel kapslad på sidan av avluftaren, (skruva inte loss den helt, det räcker om du kan se oljan) vrid på ratten medurs tills du ser att insidan av avgasröret utstött olja är stabil och grundlig, inga bubblor, vrid ratten samtidigt dra åt tömningsmuttern, stäng avgaskopplingar;

• Fortsätt att vrida ratten moturs tills originalet indragningsidan av kolvstången helt utdragen, Montera avgasröret på dra tillbaka sidan av kolvstången för att samla upp oljan från ventileringen. • Håll i cylindern för att förhindra att cylindern vrider sig, skruva loss tömningsfogmutter på ena sidan.(Skruva inte loss den helt, det räcker som så länge du kan se oljan). Vrid ratten medurs tills du se att oljan från tömningsröret är stabil lås , inga bubblor.dra åt avluftaren , stäng deflationsanordningar.

• Vrid ratten medurs/moturs flera gånger till kontrollera antalet fulla rodvarv parametertabell) för att avgöra om hydraulvätskan i slangen är helt utesluten. Om det finns stilla luft kommer antalet fulla roder att öka).om det fortfarande finns mycket luft som är inte uteslutet, upprepa sedan proceduren. Om det finns en liten mängd luft, gör det

fullt roder i en direkt . vänd liten halvcirkel, gör fullt roder igen, gör detta 5-6 gånger för vänster riktning och höger riktning. ÿ Efter att ha passerat roderprovet, ta bort bränsleröret och avluftningsröret, skruva på bränslelocket, ställ in den tömda anslutningshysan, den oanvända hydrauloljan stängs för efterföljande underhåll och reparation.(Kontrollera hydraulpumpens oljeyta en gång i kvartalet, otillräcklig olja kommer att orsaka något onormalt.)

FEL OCH LÖSNINGAR:

Följande är de vanligaste felen och deras orsaker och lösningar. När rodret roterar med fullt roder (cylinder fullt slag) kan det uppstå ett litet motstånd och inre delar klickar ljud som kommer från den inre ventilens spolekula och lagerstålkulan när de är spring. Det är normala fenomen. Vänligen tro inte att det beror på fel.

FEL	ORSAKA	LÖSNING
Hydraulrodret har fastnat helt under installationen.	Rörblockering mellan hydraulpumpen och hydraulcylindern.	Kontrollera om slangen är igensatt eller böjd. Om den är böjd måste du byta ut den skadade slangen, annars kan det leda till förlust av styrning och allvarliga person- eller egendomsskador.
Det är svårt att tanka systemet, även när systemet säger att bränslet är fullt, bubblor fortsätter att hoppa ut ur oljan pump.	Det finns luft i system Lufta kopplingar läckor Hydraulrör har lindnings- eller böjskador.	Installera systemet korrekt enligt installationsmanualen. Inloppsroret måste alltid vara uppåt. Dra åt tömningskopplingarna Rulla av och räta ut slangen eller byt ut den skadade slangen.
När du använder systemet för att styra, du	Hydrauliska rör har böjda skador Det finns	Rulla av och räta ut slangen eller byt ut den skadade

måste rotera helt roder snabbt för många gånger.	gas eller fina bubblor in hydrauloljan. Felaktig hydraulolja användes.	slang. Tanka eller avgas ordentligt enligt installationen manuell Använd rätt hydraulolja.
När systemet är fullt roder, den ratt bara fungerar inte	Det finns smuts föroreningar i hydraulisk pumpventil	Använd inte "band"-tätningen band vid gränssnittet. Ta isär hydraulpumpen för att rengöra smutsen.
Systemet kan styra fartyget lätt när fartyget är stillastående, Det är dock väldigt svårt att styra medan segling.	Liten ratt valdes ut. Motoranslutning är inte korrekt inställd, Airbag genereras i systemet och luften är inte utesluten helt. Systemkonfigurationer överskrida effektgränserna.	Byt till en större styrning hjul varav max diametern är utan att överskrida 56 cm. Justera motoranslutningen inställningar korrekt. Kontrollera oljeytan på hydraulpump, återställ tankning och avluftning på rätt sätt.
Ratten svänger till vänster babords sida, Fartyget svänger höger	Fel oljerör förbindelse	Byt ut de två oljerören på cylinder med varandra och installera dem.
Cylinder kan inte vara installerad till motor.	Varje cylinder kräver motsvarande motor modell.	Se manualen eller kundtjänsten för återförsäljare för att byta modell.

När roderpumpen når stopppunkten cylinder fullt slag), en liten mängd
av hydraulisk drift är normalt och roderpumpen är inte 100% låst

UNDERHÅLL

VARNING:

Att följa de rutinmässiga underhållsscheman som beskrivs nedan kommer att , i tidsramen
säkerställa många års service från ditt VEVOR-styrssystem samt
skydda dig och dina passagerare från de faror som finns på och av

vatten.

Underlåtenhet att följa underhållskontroller kan leda till att man förlorar styrningen, vilket kan orsaka egendomsskada och/eller personskada.

Inspektioner är nödvändiga varje år och måste utföras av specialister marin mekanik.

Kontrollera axeln och o-ringarna på cylindern, o-ringarna på styrpumpen, den beslag på cylindern och styrpumpen för att förhindra läckage.

Kontrollera att alla fästelement/beslag är åtdragna i hela styrsystemet.

Rengör systemet med färskvatten och icke-slipande vätska.

Rengöringsvätskor som innehåller ammoniak , syror eller andra frätande ingredienser måste få inte användas för att rengöra några delar av det hydrauliska styrsystemet.

ANVÄND inte bromsolja eller automatväxellådsolja (ATE) Använd endast kompatibel hydraulolja.

Före varje användning:

• Kontrollera vätskenivån i den högsta styrpumpen.

• Verifiera omedelbar styrrespons när du vrider på ratt(en) (Se till motorn snurrar när ratten vrids).

• Inspektera visuellt alla styrslangar och kopplingar för slitage, veck och/eller läckor.

• Kontrollera för bindning, lös , slitna eller läckande styrkomponenter.

Varning:

• Kör INTE båten om någon komponent inte är i korrekt skick.

• Ta i så fall foton omedelbart och kontakta din återförsäljare.

Efter de första 20 , sedan var 100:e timme eller var 6:e månad timmarna därefter (vilket som kommer först):

• Alla punkter noterade ovan

• Kontrollera att ALLA fästelement/beslag är åtdragna i hela styrsystemet.

Dra åt till korrekta vridmomentspecifikationer krävs.

• Kontrollera om det finns mekaniskt spel eller lutande i hela styrsystemet, korrigeras som nödvändig.

• Kontrollera om det finns tecken på korrosion. Kontakta din återförsäljare om korrosion förekommer.

Efter var 200:e timme eller 12:e månad (vilket som helst

kommer först):

ÿ Alla punkter noterade ovan.

ÿ Ta bort stödstången från motorns styr-/tiltrör. Rengör motorstyrning/tiltrör och smörj om usino ett marint fett av god kvalitet

ÿ Smörj stödstången rikligt.

ÿ Smörj alla kontaktpunkter som visas i cylinder- och dragstångsinstallationerna. DO
Ta INTE bort rorkulten för att återfetta.

ÿ Ta bort ratten och smörj om hjulaxeln med en marin av god kvalitet fett.

ÿ Kontrollera att hydrauloljan är ren , spola vid behov.

ÿ Allt arbete som utförs med styrsystemet MÅSTE slutföras av en kvalificerad mekaniker med praktisk kunskap om systemet.

Tillverkare: Shanghai muxinmuyeyouxiangongsi

Adress: Shuangchenglu 803nong11hao1602A-1609shi, baoshanqu, shanghai 200000 CN.

Importerad till AUS: SIHAO PTY LTD. 1 ROKEVA STREET EASTWOOD NSW 2122 Australien

Importerad till USA: Sanven Technology Ltd. Suite 250, 9166 Anaheim Place, Rancho Cucamonga, CA 91730



YH CONSULTING LIMITED.

C/O YH Consulting Limited Office 147,
Centurion House, London Road,
Staines-upon-Thames, Surrey, TW18 4AX



E-CrossStu GmbH

Mainzer Landstr.69,
60329 Frankfurt am Main.

VEVOR[®]

TOUGH TOOLS, HALF PRICE

Teknisk support och e-garanticertifikat

www.vevor.com/support