

## PRODUCT SPECIFICATIONS

Series	Sales area	Model	Voltage Frequency	Air flow @8bar	Max pressure	Power	Tank volume	Noise	Power cord	Motor speed
				L/min	Bar	kW	L	dB	mm <sup>2</sup>	rpm
Oil-free series	United States, Canada	2-900F8	120V~ 60Hz	65	8	0.9	8	75	1.5	3400
		2-900F18		65	8	0.9	18	75	1.5	3400
		2-1450F24		95	8	1.45	24	75	2.5	3400
	The European Union	2-900F8	220-240V~ 50Hz	65	8	0.9	8	72	0.75	2800
		2-900F18		65	8	0.9	18	72	0.75	2800
		2-1450F24		95	8	1.45	24	72	1	2800
		2-1800F35		140	8	1.8	35	76	1.5	2800



Dispose:

This product is subject to the provision of European Directive 2012/19/EC. The symbol showing a wheeled bin crossed through indicates that the product requires separate refuse collection in the European Union. This applies to the product and all accessories marked with this symbol. Products marked as such may not be discarded with normal domestic waste, but must be taken to a collection point for recycling electrical and electronic devices.



This device complies with Part 15 of the FCC Rules.

Operation is subject to the following two conditions:

1. This device may not cause harmful interference ;
2. This device must accept any interference received, including interference that may cause undesired operation.

Address: Shuangchenglu 803nong11hao1602A-1609shi, baoshanqu, shanghai 200000 CN.

EC

REP

E-CrossStu GmbH.

Mainzer Landstr.69, 60329 Frankfurt am Main.

# VEVOR®

## OIL-FREE AIR COMPRESSOR

### USER MANUAL

# VEVOR®

E-mail: CustomerService@vevor.com

# VEVOR®

## OIL-FREE AIR COMPRESSOR

Instruction Manual



High flow supply



Oil-free



Low noise



Low vibration



Low temperature rise



high pressure



High speed silenced motor



Four protection

### NEED HELP? CONTACT US!

Have product questions? Need technical support? Please feel free to contact us:

[CustomerService@vevor.com](mailto:CustomerService@vevor.com)

This is the original instruction, please read all manual instructions carefully before operating. VEVOR reserves clear interpretation of our user manual. The appearance of the product shall be subject to the product you received. Please forgive us that we won't inform you again if there is any technology or software updates on our product.

### IMPORTANT SAFETY INSTRUCTION

This manual contains important instructions for operating this product. For your safety, and the safety of others, be sure to read this manual thoroughly before operating the product. Thank you for choosing the VEVOR oil-free air compressor. Please contact us if you have any questions.

- ◆ The machine should be stored in a dry and ventilated room, and strictly avoid to close to perishable, flammable and chemical substances! The storage period should not exceed two years from the date of leaving the factory, if it exceeds the storage period. Check and maintain before use, or make a test if needed !
- ◆ The machine is strictly forbidden to collide, placed steadily when using it, and it must be prevented from tilting and upside-down during transportation to avoid malfunction!
- ◆ Try to avoid using it in an environment where the temperature is too high, the air is dirty, dusty, oily fuel and exhaust gas pollution. Use in these environment may cause damage to the machine.
- ◆ Before connecting to the working power supply, make sure that the machine is turned off, and the power supply voltage shall not be lower than or higher than 10% of the rated working voltage of the machine!
- ◆ Do not touch the high temperature area of the machine while the machine is working! For example, the cylinder head, check valve and other components. If maintenance is required, please turn off the machine, disconnect the power supply, and wait for the machine to cool down to prevent burns!
- ◆ The machine has strict requirements of the power cable. Please refer to the specification sheet of this manual for details. The power cable should not be too long to prevent excessive voltage drop and affect the performance of the machine.
- ◆ The recommended environment temperature should be 0-37°C. Too low or too high temperature may affect the performance of the machine.
- ◆ Before use, confirm whether the safety valve is effective, pull up the safety valve to check whether it can easily vent. After checking, press the safety valve to make sure it has been reset.
- ◆ During use, avoid the machine air outlet and the equipment connected to the air outlet from directly facing the operator or other personnel to prevent possible potential hazards and injury to the human body.

### Advantages of VEVOR :

Designed by Italian team, with elegant and modern industrial style appearance; Inheriting the high standards and high quality of the VEVOR brand for 25 years; China's National High-tech enterprise, focusing on innovation and R&D in pneumatic field.

## INTRODUCTION

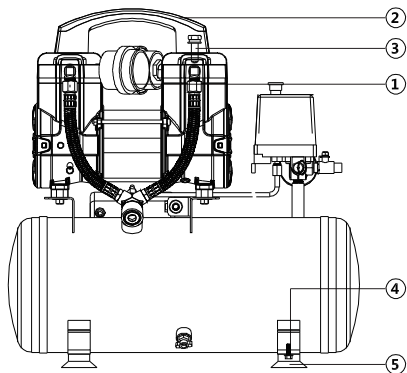
Compared with traditional belt drive or direct drive air compressor, our oil-free air compressor (hereinafter referred to as air compressor) do not require lubricating oil and can provide a relatively clean air source with low noise, which is especially suitable for dentistry, breeding, medicine, fitness, beauty, chemical industry, scientific experiments and other high-demand fields. At the same time, it can also be widely used in traditional home improvement, auto repair, factories and other fields, such as air supply for pneumatic tools, like spray gun, air nailer etc, air supply for vehicle brakes, air supply for tooling equipment, etc.

Comparison with traditional belt drive or direct drive air compressors:

Items	Oil free air compressor	Direct drive or Belt-drive
Lubrication	No, without maintenance cost	Yes, higher maintenance cost
Oil/water filter	No need	Need
Cleanliness of air	Higher	Lower
Motor	Higher efficiency	Lower efficiency
Energy Consumption	Lower	Higher
Noise	Soft, low, around 75db	Harsh, high, around 90db
continuously working	Less restrictive	More restrictive
Failure rate	Lower	Higher
Low temperature working	Applicable	Not applicable, risk of emulsification

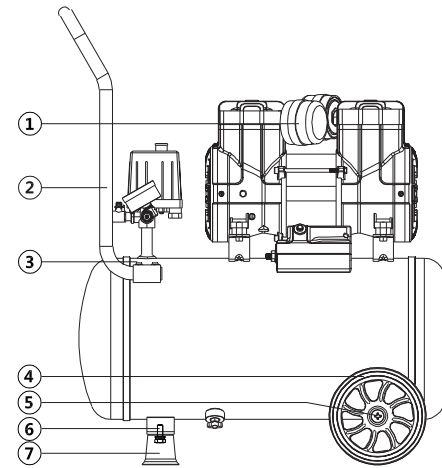
Note: The above data comes from the manufacturer's laboratory

## PACKAGE CONTENTS & ASSEMBLY



Handle type machine

No.	Parts	Qty
1	Air filter	2
2	Handle	1
3	Screw	2
4	Bolt	4
5	Cushion foot	4



Pull rod type

No.	Parts	Qty
1	Air filter	2
2	Pull rod	1
3	Screw	4
4	Wheel	2
5	Axle	2
6	Bolt	1
7	Cushion foot	1

## ASSEMBLY

### 1. Wheel (Pic.A)

Pass the screws through the casters and the holes of the bottom bracket of the fuselage in turn, tighten the lock nut.

### 2. Cushion foot (Pic.B)

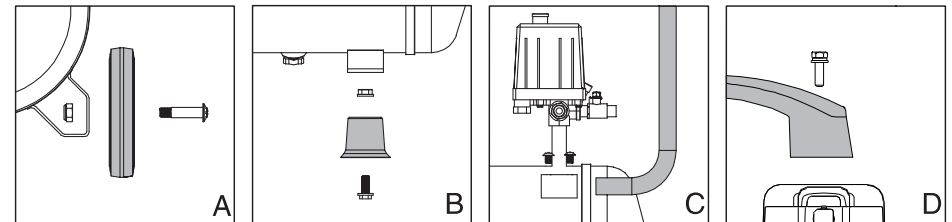
Screw cushion foot into the screw hole of the machine, and tighten the nut to fix it.

### 3. Pull rod (Pic.C)

Slide the pull rod to the holder and tighten the nut to fix it.

### 4. handle (Pic.D)

Fix the handle to the piston cover with nut.



## OPERATION

### 1. Safety valve (Pic. E):

Safety valve ① is mainly used to keep the air pressure stable. When the air pressure exceeds 10 bar (15 bar for high-pressure models), it will automatically release the pressure to protect the safety of users. Caveat! The safety valve cannot be used to deflate. Frequent pulling out of the safety valve can easily damage the safety valve.

### 2. Pressure gauge (Pic. E):

The air compressor is automatically controlled by pressure switch during normal operation. When the pressure reaches the maximum value, it will automatically stop, and when the pressure drops to the starting pressure, it will automatically start. The working pressure of the air pressure switch has been adjusted before leaving the factory and cannot be changed at will during use. The pressure is displayed by the pressure gauge ②.

### 3. Power connection:

Plug in the plug and turn on the power (power must be grounded). Note: The air compressor should not be placed too far away from the power source (within 10 meters), so as not to reduce the voltage of the motor.

### 4. Pressure switch (Pic. F)

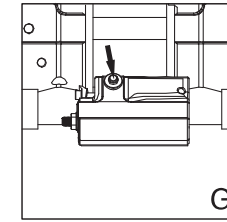
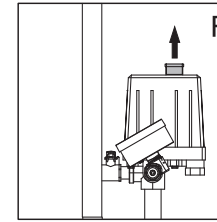
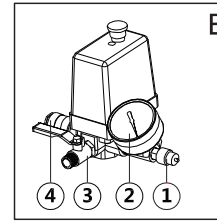
Vertical switch: Pull up the switch button to turn on, and press the button to turn off. Horizontal switch: Turn the switch to AUTO to turn it on; turn the switch to OFF to shut down.

### 5. Air outlet (Pic. E)

1. The ball valve ③ can be used directly.
2. before using the quick connector ④ make sure there is no pressure in the air tank.

### 6. Movement

Before moving the compressor, make sure that the switch is off and the power cord plug is unplugged from the socket. Grasp the handle, lift the air compressor, move the air compressor to the desired position, lower the handle, and ensure that the air compressor is on a flat ground. Note: Make sure your feet stand firm and seek help if necessary.



### 7. Overload protection (Pic. G)

This product is equipped with an overload protection device. When the working voltage is too low or too high, or working environment is with high ambient temperature, the motor is overheated, the machine will automatically cut off the power supply to protect the motor. After that, the user need to turn off the power switch first, wait for 3-10 minutes and then press the red reset button (depending on the cooling condition), then turn it on, the machine can be used normally, if the button is reset, it still does not work normally Wait for 30 minutes or more, and then start the motor after it has cooled down completely.

## MAINTENANCE

Before any maintenance or repair work, you must cut off the power supply and ensure that the air tank is pressure-free, otherwise it is very easy to cause injury!!

1. Please clean and maintain the machine regularly.
2. If the power cord is damaged, in order to avoid danger, it must be replaced by the manufacturer's maintenance department or qualified person.
3. Open the drain valve to drain the water daily or after every use. When draining, the pressure in the air tank should be less than 1 bar.
4. Check whether the safety valve is sensitive every week, pull out the safety valve to check whether it can be easily exhausted, and it can be reset immediately after pressing it.
5. It is recommended that remove the filter element of the air filter and clean it with clean high-pressure air every 200 hours of use, replace the filter element of the air filter every 500 hours of use, and replace the cylinder and piston ring every 2000 hours of use. The details can be adjusted according to the actual use.

6. The air tank shall be subjected to a pressure test every two years, and the internal and external surfaces shall be inspected once a year. When there is severe rust, severe bruising or failed to pass the pressure test, the air tank shall be replaced.

7. In case of severe machine vibration, please pay attention to whether you need to replace the shock pad.

### Precautions for maintenance:

(1) Before disassembling the machine, cut off the power supply, wait for the machine to cool down and ensure that the air tank is pressure-free.

(2) During the maintenance process, the fasteners should be tightened, if any damage is found, they should be replaced with new ones.

(3) when the maintenance is over, after re-installation, the fan should be rotated to check for abnormalities

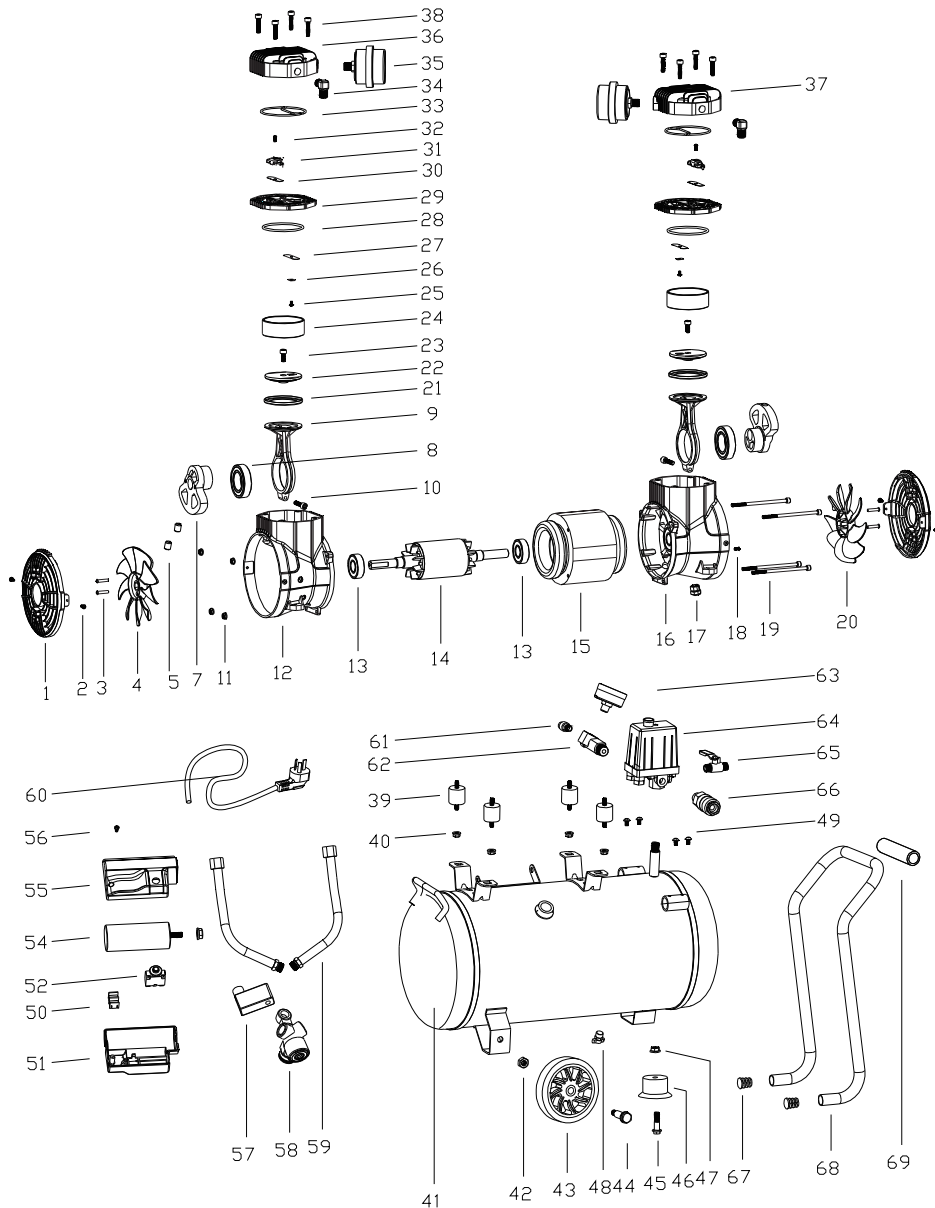
(Note: The left and right fan blow inward when the motor rotates.)

## TROUBLE SHOOTING

Warning: Before any maintenance or repair work, you must cut off the power supply and ensure that the air tank is pressure-free, otherwise it is very easy to cause injury!

Problem	Possible cause	Solution
The motor does not start and without any noise	No Power supply	Check the plug and the power supply
	Pressure switch is off	turn on the pressure switch
	Under overload protection	Press the red reset button to start after the machine cooled down
	Pressure switch faulty	Replace the pressure switch
	Stator faulty	Replace the stator
The motor does not start or starts slowly,with a humming noise	Low voltage supply	Place the air compressor in a well-ventilated place
	Short circuit or open circuit of motor coiling	Contact Auarita or dealer
	Check valve or pressure switch faulty	Contact Auarita or dealer
The overload protector cuts off the power repeatedly	Low voltage supply	Check the input voltage, can not 10% lower than the rated voltage
	Poor ventilation, too high temperature	Check the input voltage, can not 10% lower than the rated voltage
	Wrong installation of fan	Check the fan and install it in the correct direction
Pressure drops in the tank	Air leaks at connections	Check each connection,tighten leaky connection
	Drain valve is open or loose	Tighten the drain valve
	Air leaks at check valve	Remove and clean, if still not work, Replace the check valve
The exhaust gas has a high humidity	A lot of water in the tank	Drain the water in the tank
	The working environment with too high humidity	Move the air compressor to a place with low humidity,or use an oil-water separator
The motor does not stop	Pressure switch faulty	Replace the pressure switch
	Air leakage, can not reach the max pressure	Check and tighten the leaky connection
Machine with High vibration	Loose fasteners	Check and tighten
	The internal parts of the air compressor are aging or damaged	Replace foot or shock pad
	Cushion foot or shock pad damaged	Replace aging or damaged parts
Can not reach the max working pressure	Drain valve is open or loose	Tighten the drain valve
	Air filter blocked	Clean or replace the filter element
	Air leakage	Check and tighten
	Poor valve function or foreign matter or air leakage	Clean or replace
	Excessive wear of piston rings	Replace the piston ring

# EXPLODED VIEW & PARTS LIST



No.	Parts	Qty	No.	Parts	Qty
1	Fan cover	2	36	Left cylinder cover	2
2	Screw	4	37	Right cylinder cover	1
3	Screw	2	38	Screw	1
4	Left fan	1	39	Shock pad	8
5	Set screw	2	40	Screw	4
6	Set screw	2	41	Air tank	4
7	Crank	2	42	nut	1
8	Bearing	2	43	Wheel	2
9	Connecting rod	2	44	axle	2
10	Screw	2	45	Bolt	1
11	Nut	4	46	Cushion foot	1
12	Crank case	1	47	Nut	1
13	Bearing	2	48	Drain valve	1
14	Rotor	1	49	Lock nut for handle	4
15	Stator		50	Terminal block	1
16	Crank case		51	Bottom cover for capacitor	1
17	Strain Relief Bushing	1	52	Overload protection	1
18	Ground screw	1	53	Nut for capacitor case	1
19	Screw	4	54	Capacitor	1
20	Right fan	1	55	Upper cover for capacitor	1
21	Piston ring	2	56	Screw	1
22	Pressure plate	2	57	Solenoid valve	1
23	Screw	2	58	Check valve	1
24	Cylinder	2	59	High pressure pipe	2
25	Screw	2	60	Power cord and plug	1
26	Metal strengthen sheet	2	61	Safety valve	1
27	Air valve	2	62	Connector	1
28	Cylinder obturating ring	2	63	Pressure gauge	1
29	Valve plate	2	64	Pressure switch	1
30	Air valve	2	65	Ball valve	1
31	Limited block	2	66	Quick connector	1
32	Screw	2	67	End cap	2
33	Obturating ring	2	68	Handle	1
34	Elbow	2	69	Foam sleeve	1
35	Air filter	2			

## CARACTÉRISTIQUES DU PRODUIT

Série	Surface de vente	Contre	Tension Fréquence	Débit d'air à 8 bars	Max pression	Pouvoir	Réservoir volume	Bruit	Pouvoir corde	Moteur Vitesse
				L/min	Barre	kW	L	dB	m <sup>2</sup>	tr/min
Sans huile série	États-Unis Canada	2-900F8	120V~ 60 Hz	65	8	0,9	8	75	1,5	3400
		2-900F18		65	8	0,9	18	75	1,5	3400
		2-1450F24		95	8	1,45	24	75	2,5	3400
	Le européen Union	2-900F8	220-240V~ 50 Hz	65	8	0,9	8	72	0,75	2800
		2-900F18		65	8	0,9	18	72	0,75	2800
		2-1450F24		95	8	1,45	24	72	1	2800
		2-1800F35		140	8	1.8	35	76	1,5	2800

### Disposer:

Ce produit est soumis aux dispositions de la directive européenne 2012/19/CE. Le symbole représentant une poubelle à roulettes barrée indique que le produit nécessite une collecte séparée des déchets dans l'Union européenne. Ceci s'applique au produit et à tous les accessoires marqués de ce symbole. Les produits marqués comme tels peuvent ne pas être jetés avec les déchets ménagers normaux, mais doivent être apportés à un point de collecte pour le recyclage des appareils électriques et électroniques.

**FC** Cet appareil est conforme à la partie 15 des règles de la FCC.

**C** L'exploitation est soumise aux deux conditions suivantes :

1. Cet appareil ne doit pas provoquer d'interférences nuisibles ;
2. Cet appareil doit accepter toute interférence reçue, y compris interférences pouvant entraîner un fonctionnement indésirable.

Adresse : Shuangchenglu 803nong11hao1602A-1609shi,baoshanqu,  
Shanghai 200 000 CN.



E-CrossStu GmbH.  
Mainzer Landstr.69,60329 Francfort-sur-le-Main.

# Vévor Q

## COMPRESSEUR D'AIR SANS HUILE

MANUEL D'UTILISATION

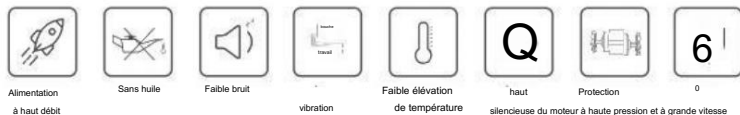
# VEVOR

Courriel : CustomerService@vevor.com

# VEVOR AIR SANS HUILE

## COMPRESSEUR

Manuel d'instructions



BESOIN D'AIDE? CONTACTEZ-NOUS!

Vous avez des questions sur les produits ? Besoin d'assistance technique ? N'hésitez pas à nous contacter :

ServiceClient@vevor.com

Il s'agit des instructions d'origine, veuillez lire attentivement toutes les instructions du manuel avant de l'utiliser. VEVOR se réserve une interprétation claire de notre manuel d'utilisation. L'apparence du produit doit être soumise au produit que vous avez reçu. Veuillez nous pardonner de ne pas vous informer à nouveau si existe-t-il des mises à jour technologiques ou logicielles sur notre produit

## CONSIGNES DE SÉCURITÉ IMPORTANTES

Ce manuel contient des instructions importantes pour l'utilisation de ce produit. Pour votre sécurité et celle de la sécurité des autres, assurez-vous de lire attentivement ce manuel avant d'utiliser le produit. Merci vous d'avoir choisi le compresseur d'air sans huile VEVOR. Veuillez nous contacter si vous avez des questions.

- La machine doit être stockée dans un local sec et aéré, et éviter strictement de la fermer. substances périssables, inflammables et chimiques ! La période de stockage ne doit pas dépasser deux ans à compter de la date de sortie d'usine, si elle dépasse la période de stockage. Vérifiez et entretenez avant utilisation, ou faire un test si besoin !
- Il est strictement interdit à la machine d'entrer en collision, de la placer de manière stable lors de son utilisation et elle doit être empêché de se renverser et de se renverser pendant le transport pour éviter tout dysfonctionnement !
- Essayez d'éviter de l'utiliser dans un environnement où la température est trop élevée, l'air est sale, poussiéreux, pollué par du carburant huileux et des gaz d'échappement. L'utilisation dans ces environnements peut endommager l'appareil. machine.
- Avant de connecter l'appareil à l'alimentation électrique, assurez-vous que la machine est éteinte et que la tension d'alimentation ne doit pas être inférieure ou supérieure à 10 % de la tension de fonctionnement nominale. tension de la machine !
- Ne touchez pas la zone à haute température de la machine pendant que celle-ci fonctionne ! par exemple, la culasse, le clapet anti-retour et d'autres composants. Si une maintenance est nécessaire, veuillez éteindre la machine, débrancher l'alimentation électrique et attendre que la machine refroidisse vers le bas pour éviter les brûlures !
- La machine a des exigences strictes concernant le câble d'alimentation. Veuillez vous référer aux spécifications feuille de ce manuel pour plus de détails. Le câble d'alimentation ne doit pas être trop long pour éviter une surcharge excessive. chute de tension et affecte les performances de la machine. •La température ambiante recommandée doit être de 0 à 37 °C. Trop basse ou trop élevée La température peut affecter les performances de la machine. •Avant utilisation, vérifiez si la soupape de sécurité est efficace, tirez la soupape de sécurité vers le haut pour vérifier si elle peut facilement s'évacuer. Après vérification, appuyez sur la soupape de sécurité pour vous assurer qu'elle a été réinitialiser.
- Pendant l'utilisation, évitez que la sortie d'air de la machine et l'équipement connecté à la sortie d'air ne pénètrent dans la machine. faire face directement à l'opérateur ou à d'autres membres du personnel pour éviter d'éventuels dangers et blessures au corps humain

### Avantages de VEVOR :

Conçu par une équipe italienne, avec un style industriel élégant et moderne apparence; Héritant des normes élevées et de la haute qualité de la Marque VEVOR depuis 25 ans ; entreprise nationale de haute technologie de Chine, se concentrant sur l'innovation et la R&D dans le domaine pneumatique.



## INTRODUCTION

Comparé au compresseur d'air traditionnel à entraînement par courroie ou à entraînement direct, notre compresseur d'air sans huile (ci-après dénommé compresseur d'air) ne nécessitent pas d'huile de lubrification et peuvent fournir une

Source d'air relativement propre et peu bruyante, particulièrement adaptée à la dentisterie, à l'élevage, à la médecine, au fitness, à la beauté, à l'industrie chimique, aux expériences scientifiques et à d'autres domaines à forte demande

domaines. En même temps, il peut également être largement utilisé dans l'amélioration de l'habitat traditionnel, l'automobile réparation, usines et autres domaines, tels que l'alimentation en air pour les outils pneumatiques, comme le pistolet de pulvérisation, l'air cloueuse, etc., alimentation en air pour freins de véhicule, alimentation en air pour équipement d'outillage, etc.

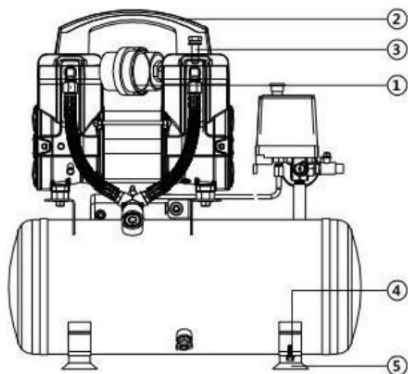
Comparaison avec la transmission par courroie traditionnelle ou la transmission directe

### compresseurs d'air:

Articles	Compresseur d'air sans huile	Entraînement direct ou par courroie
Lubrification	Non, sans coût d'entretien	Oui, plus haut coût d'entretien
Filtre à huile/eau	Pas besoin	Besoin
Propreté de l'air	Plus haut	Inférieur
Moteur	Efficacité supérieure	Efficacité moindre
Consommation d'énergie	Inférieur	Plus haut
Bruit	Doux, faible, environ 75 dB	Dur, élevé, environ 90 dB
travailler en continu	Moins restrictif	Plus restrictif
Taux d'échec	Inférieur	Plus haut
Fonctionnement à basse température	En vigueur	Non applicable risque d'émulsification

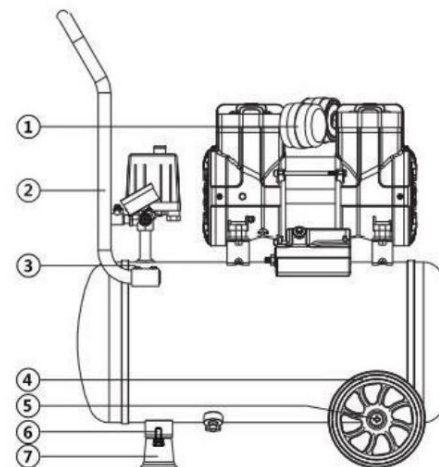
Remarque : les données ci-dessus proviennent du laboratoire du fabricant.

## CONTENU DU COLIS ET ASSEMBLAGE



### Machine à poignée

Non.	Parties	Quantité
1	Filtre à air	2
2	Poignée	1
3	Vis	2
4	Boulon	4
5	Pied coussiné	4



Type de tige de traction

Non.	Parties	Quantité
1	filtre à air	2
2	Tige de traction	1
3	Vis	4
4	Roue	2
5	Essieu	2
6	Boulon	1
7	Pied coussiné	1

## ASSEMBLÉE

### 1. Roue (photo A)

Passez les vis à travers les roulettes et les trous du support inférieur du fuselage à tour de rôle, serrer le contre-écrou.

### 2. Pied coussiné (photo B)

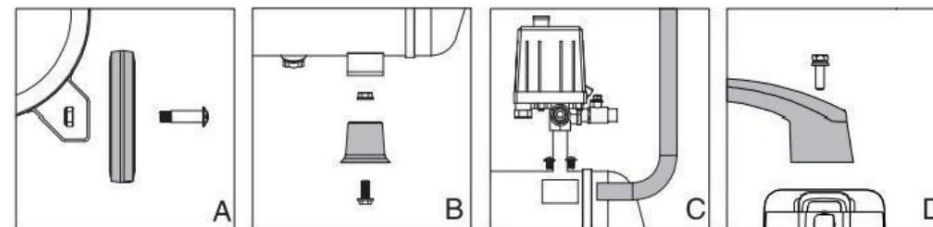
Vissez le pied du coussin dans le trou de vis de la machine et serrez l'écrou pour le fixer.

### 3. Tige de traction (photo C)

Faites glisser la tige de traction vers le support et serrez l'écrou pour la fixer

### 4. poignée (photo D)

Fixez la poignée au couvercle du piston avec un écrou.



## OPÉRATION

### 1. soupape de sécurité (photo E)

E) : la soupape de sécurité est principalement utilisée pour maintenir la pression d'air stable. Lorsque la pression d'air dépasse 10 bar (15 bar pour les modèles haute pression), il libérera automatiquement la pression pour protéger la sécurité des utilisateurs. Attention ! La soupape de sécurité ne peut pas être utilisée pour dégonfler. Retrait fréquent de la soupape de sécurité peut facilement endommager la soupape de sécurité.

### 2. Manomètre (photo E) : le compresseur

d'air est automatiquement contrôlé par un pressostat pendant le fonctionnement normal.

Lorsque la pression atteint la valeur maximale, elle s'arrête automatiquement et lorsque la

pression chute à la pression de démarrage, elle démarrera automatiquement. La pression de travail du

Le pressostat d'air a été réglé avant de quitter l'usine et ne peut pas être modifié à volonté pendant l'utilisation. La pression est affichée par le manomètre .

### 3. Connexion électrique :

Branchez la prise et mettez l'appareil sous tension (l'alimentation doit être mise à la terre). Remarque : Le compresseur d'air ne doit pas être placé trop loin de la source d'alimentation (à moins de 10 mètres), afin de ne pas réduire la tension du moteur.

### 4. Pressostat (Photo F)

Interrupteur vertical : tirez le bouton de l'interrupteur vers le haut pour allumer et appuyez sur le bouton pour éteindre. Horizontal

Interrupteur : tournez l'interrupteur sur AUTO pour l'allumer ; tournez l'interrupteur sur OFF pour l'éteindre.

### 5. Sortie d'air (photo E)

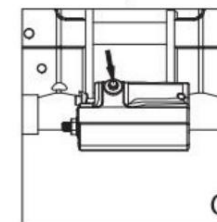
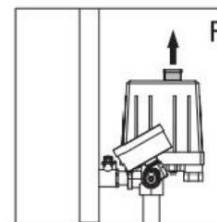
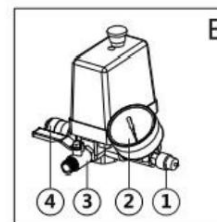
1. Le robinet à boisseau sphérique peut être utilisé

directement. 2. Avant d'utiliser le connecteur rapide, assurez-vous qu'il n'y a pas de pression dans le réservoir d'air.

### 6. Mouvement

Avant de déplacer le compresseur, assurez-vous que l'interrupteur est éteint et que la fiche du cordon d'alimentation est débranché de la prise. Saisissez la poignée, soulevez le compresseur d'air, déplacez le compresseur d'air à la position souhaitée, abaissez la poignée et assurez-vous que le compresseur d'air est sur un sol plat.

Remarque : assurez-vous que vos pieds sont bien fixés et demandez de l'aide si nécessaire.



### 7. Protection contre les surcharges (photo G)

Ce produit est équipé d'un dispositif de protection contre les surcharges. Lorsque la tension de fonctionnement est trop faible ou trop élevée, ou l'environnement de travail est avec une température ambiante élevée, le moteur est surchauffé, la machine coupera automatiquement l'alimentation électrique pour protéger le moteur. Après que l'utilisateur doit d'abord éteindre l'interrupteur d'alimentation, attendre 3 à 10 minutes, puis appuyer sur le bouton bouton de réinitialisation rouge (selon les conditions de refroidissement), puis allumez-le, la machine peut être utilisée normalement, si le bouton est réinitialisé, il ne fonctionne toujours pas normalement. Attendez 30 minutes ou plus, et puis démarrez le moteur une fois qu'il a complètement refroidi.

## ENTRETIEN

Avant toute intervention d'entretien ou de réparation, vous devez couper l'alimentation électrique et vous assurer que Le réservoir d'air est sans pression, sinon il est très facile de provoquer des blessures !

1. Veuillez nettoyer et entretenir la machine régulièrement.

2. Si le cordon d'alimentation est endommagé, afin d'éviter tout danger, il doit être remplacé par le service de maintenance du fabricant ou personne qualifiée.

3. Ouvrez le robinet de vidange pour vidanger l'eau quotidiennement ou après chaque utilisation. Lors de la vidange, la pression dans le réservoir d'air doit être inférieure à 1 bar.

4. Vérifiez si la soupape de sécurité est sensible chaque semaine, retirez la soupape de sécurité pour vérifier si elle peut être facilement évacuée et elle peut être réinitialisée immédiatement après avoir appuyé dessus.

5. Il est recommandé de retirer l'élément filtrant du filtre à air et de le nettoyer avec de l'air propre à haute pression toutes les 200 heures d'utilisation, de remplacer l'élément filtrant du filtre à air toutes les 500 heures d'utilisation et remplacez le cylindre et le segment de piston toutes les 2000 heures d'utilisation. Les détails peuvent être ajusté en fonction de l'utilisation réelle.

6. Le réservoir d'air doit être soumis à un test de pression tous les deux ans et les surfaces internes et externes doivent être inspectées une fois par an. En cas de rouille importante, de contusions graves ou d'échec du test de pression, le réservoir d'air doit être remplacé.

7. En cas de fortes vibrations de la machine, veuillez vérifier si vous devez remplacer l'amortisseur.

## Précautions d'entretien :

(1) Avant de démonter la machine, coupez l'alimentation électrique, attendez que la machine refroidisse et assurez-vous que le réservoir d'air est sans pression.

(2) Pendant le processus de maintenance, les fixations doivent être resserrées ; si des dommages sont constatés, elles doivent être remplacées par des neuves.

(3) lorsque la maintenance est terminée, après la réinstallation, le ventilateur doit être tourné pour vérifier anomalies

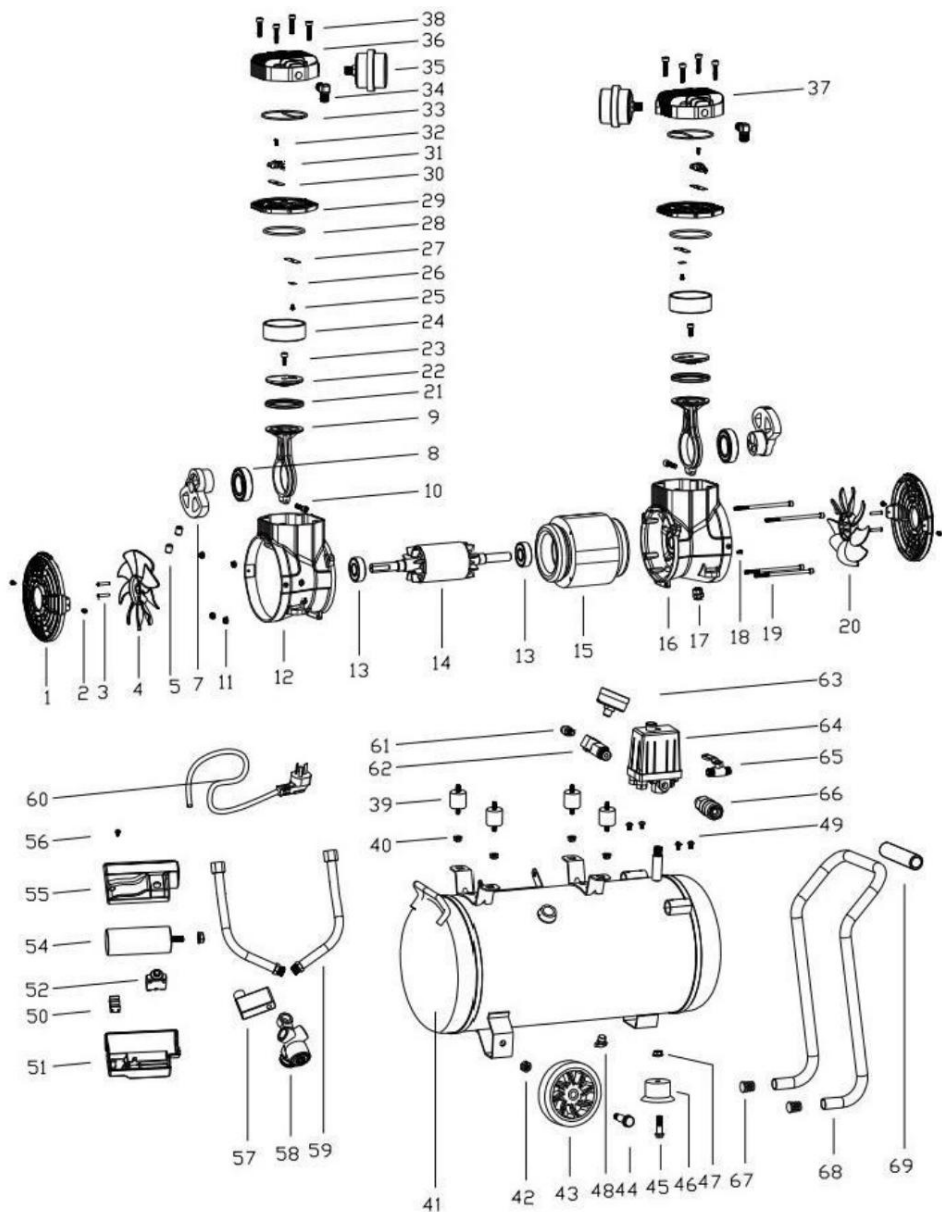
(Remarque : les ventilateurs gauche et droit soufflent vers l'intérieur lorsque le moteur tourne.)

## DÉPANNAGE

Attention : Avant tout travail d'entretien ou de réparation, vous devez couper l'alimentation électrique et vous assurer que le réservoir d'air est hors pression, sinon il est très facile de provoquer des blessures !

Problème	Cause possible	Solution
Le moteur ne démarre pas et sans aucun bruit	Pas d'alimentation électrique	Vérifiez la prise et l'alimentation électrique
	Le pressostat est éteint	allumer le pressostat
	Protection contre les surcharges	Appuyez sur le bouton de réinitialisation rouge pour démarrer une fois la machine refroidie
	Pressostat défectueux	Remplacer le pressostat
	Stator défectueux	Remplacer le stator
Le moteur fait ou le bobinage du bruit de bourdonnement	Alimentation basse tension	Placez le compresseur d'air dans un endroit bien ventilé
	Le court-circuit ou le circuit ouvert ne démarre pas le moteur	Contactez Auarita ou votre revendeur
	Clapet anti-retour ou pression Interrupteur défectueux	Contactez Auarita ou votre revendeur
Le protecteur de surcharge coupe l'alimentation à plusieurs reprises	Alimentation basse tension	Vérifiez la tension d'entrée, elle ne peut pas être inférieure de 10 % à la tension nominale
	Mauvaise ventilation, température trop élevée	Vérifiez la tension d'entrée, elle ne peut pas dépasser 10 % de la tension nominale
	Mauvaise installation du ventilateur	Vérifiez le ventilateur et installez-le dans le bon sens
Chutes de pression dans le réservoir	Fuites d'air au niveau des connexions	Vérifiez chaque connexion, resserrer la connexion qui fuit
	Le robinet de vidange est ouvert ou desserré	Serrez le robinet de vidange
	Fuites d'air au niveau du clapet anti-retour	Retirez et nettoyez, si cela ne fonctionne toujours pas, Remplacer le clapet anti-retour
Les gaz d'échappement ont une humidité élevée	Beaucoup d'eau dans le réservoir	Vidangez l'eau du réservoir
	L'environnement de travail avec une humidité trop élevée	Déplacez le compresseur d'air dans un endroit à faible humidité ou utilisez un séparateur huile-eau.
Le moteur ne s'arrête pas	Pressostat défectueux	Remplacer le pressostat
	Fuite d'air, impossible d'atteindre la pression maximale	Vérifiez et resserrer la connexion qui fuit
Machine avec Vibrations élevées	Attaches desserrées	Vérifiez et resserrer
	Les pièces internes du compresseur d'air vieillissent ou sont endommagées	Remplacer le pied ou le coussinet d'amortisseur
	Pied coussiné ou coussinet amortisseur endommagé	Remplacer les pièces vieillissantes ou endommagées
Impossible d'atteindre le maximum de travail pression	Le robinet de vidange est ouvert ou desserré	Serrez le robinet de vidange
	Filtre à air bloqué	Nettoyer ou remplacer l'élément filtrant
	Fuite d'air	Vérifiez et serrez
	Mauvais fonctionnement de la valve ou fuite d'air ou de corps étrangers	Nettoyer ou remplacer
	Usure excessive des segments de piston	Remplacer le segment de piston

## VUE ÉCLATÉE ET LISTE DES PIÈCES



Non.	Pièces	Qté	N° Pièces	ty
1	Couvercle du ventilateur	2	36 Couverture de cylindre gauche	2
2	vis	4	37 Couverture de cylindre droit	1
3	vis	2	38 Vis	1
4	Ventilateur gauche	1	39 Coussinet amortisseur	8
5	Vis de réglage	2	40 Vis	4
6	Vis de réglage	2	41 Réservoir d'air	4
7	Manivelle	2	42 écrou	1
8	Roulement	2	Roue 43	2
9	Bielle	2	44 essieux	2
10	Vis	2	45 boulons	1
11	Écrou	4	46 Pied coussiné	1
12	Carter de vilebrequin	1	47 Écrou	1
13	Roulement	2	48 Vanne de vidange	1
14	Rotor	1	49 Contre-écrou pour poignée	4
15	Stator		50 Bornier	1
16	Carter moteur		51 Couverture inférieure pour condensateur 1	
17	Bague de décharge de traction	1	52 Protection contre les surcharges	1
18	Vis de terre	1	53 Écrou pour boîtier de condensateur	1
19	Vis	4	54 Condensateur	1
20	Ventilateur droit	1	55 Couverture supérieure pour condensateur 1	
21	Segment de piston	2	56 Vis	1
22	Plaque de pression	2	57 Électrovanne	1
23	Vis	2	58 Clapet anti-retour	1
24	cylindres	2	59 Conduite à haute pression	2
25	Vis	2	60 Cordon d'alimentation et prise	1
26	Feuille de métal renforcée	2	61 Soupape de sécurité	1
27	Soupape d'air	2	Connecteur 62	1
28	Bague d'obturation du cylindre 2		63 Manomètre	1
29	Plaque de soupape	2	64 Pressostat	1
30	Sur vave	2	65 Robinet à boisseau sphérique	1
31	Bloc limité	2	66 Connecteur rapide	1
32	Vis	2	67 Embout	2
33	Bague d'obturation	2	68 Poignée	1
34	Coude	2	69 Manchon en mousse	1
35	Filtre à air	2		

## PRODUKTSPEZIFIKATIONEN

Serien-Vertriebsbereich	Gegen	Stromspannung Frequenz	Luftstrom @8bar	Max Druck	Leistung	Tank Lautstärke	Lärm	Leistung Kabel	Motor Geschwindigkeit
			L/min-Balken		kW	M	dB mm <sup>2</sup>	U/min	
Ölfrei Serie	Vereinigte Staaten Kanada	2-900F8	120 V~ 60 Hz	65	8	0,9	8	75 1,5 3400	
		2-900F18		65	8	0,9	18	75 1,5 3400	
		2-1450F24		95	8	1,45 24	75 2,5 3400		
	Der europäisch Union	2-900F8	220-240 V~ 50 Hz	65	8	0,9	8	72 0,75 2800	
		2-900F18		65	8	0,9	18	72 0,75 2800	
		2-1450F24		95	8	1,45 24	72	1 2800	
		2-1800F35		140	8	1.8	35	76 1,5 2800	

### Entsorgen:

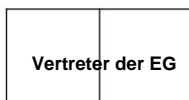
Dieses Produkt unterliegt den Bestimmungen der europäischen Richtlinie 2012/19/EG. Das Symbol einer durchgestrichenen Mülltonne weist darauf hin, dass das Produkt einer getrennten Müllentsorgung bedarf der Europäischen Union. Dies gilt für das Produkt und alle Zubehörteile gekennzeichnet. So gekennzeichnete Produkte sind möglicherweise nicht nicht mit dem normalen Hausmüll entsorgt werden, sondern müssen eine Sammelstelle für das Recycling von elektrischen und elektronischen Geräten.

**FC** Dieses Gerät entspricht Teil 15 der FCC-Regeln.

**C** Für den Betrieb gelten die folgenden zwei Bedingungen:

1. Dieses Gerät darf keine schädlichen Störungen verursachen.
2. Dieses Gerät muss alle empfangenen Störungen akzeptieren, einschließlich Störungen, die zu unerwünschtem Betrieb führen können.

Adresse: Shuangchenglu 803nong11hao1602A-1609shi,baoshanqu,  
Shanghai 200000 CN.



E-CrossStu GmbH.  
Mainzer Landstr.69,60329 Frankfurt am Main.

# Vevor Q

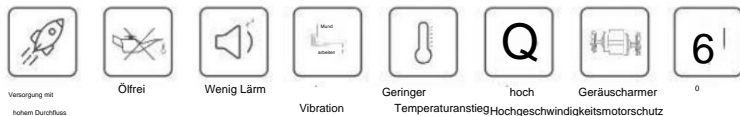
**ÖLFREIER LUFTKOMPRESSOR**  
BENUTZERHANDBUCH

# VEVOR

E-Mail: CustomerService@vevor.com

# VEVOR ÖLFREIE LUFT KOMPRESSOR

Bedienungsanleitung



BRAUCHEN SIE HILFE? KONTAKTIEREN SIE UNS!

Haben Sie Fragen zum Produkt? Benötigen Sie technischen Support? Kontaktieren Sie uns gerne:

Kundenservice@vevor.com

Dies ist die Originalanleitung. Lesen Sie vor der Inbetriebnahme bitte alle Anweisungen im Handbuch sorgfältig durch. VEVOR behält sich die klare Auslegung unseres Benutzerhandbuchs vor. Das Erscheinungsbild des Produkts soll unterliegen dem Produkt, das Sie erhalten haben. Bitte verzeihen Sie uns, dass wir Sie nicht erneut informieren, wenn Es gibt Technologie- oder Software-Updates für unser Produkt

## WICHTIGE SICHERHEITSHINWEISE

Dieses Handbuch enthält wichtige Anweisungen für den Betrieb dieses Produkts. Zu Ihrer Sicherheit und Lesen Sie zur Sicherheit anderer dieses Handbuch sorgfältig durch, bevor Sie das Produkt in Betrieb nehmen. Vielen Dank Sie für die Wahl des VEVOR ölfreien Luftkompressors. Bitte kontaktieren Sie uns, wenn Sie irgendwelche Fragen

- Die Maschine sollte in einem trockenen und belüfteten Raum gelagert werden und die Nähe zu verderbliche, brennbare und chemische Stoffe! Die Lagerzeit sollte nicht mehr als zwei Jahre ab dem Datum des Verlassens der Fabrik, wenn es die Lagerzeit überschreitet. Überprüfen und warten vor Gebrauch, bzw. ggf. Probe machen!
- Die Maschine darf nicht kollidieren, muss während des Gebrauchs stabil aufgestellt werden und muss Um Fehlfunktionen zu vermeiden, sollte das Gerät während des Transports nicht umgekippt oder auf den Kopf gestellt werden!
- Vermeiden Sie die Verwendung in Umgebungen mit zu hohen Temperaturen, schmutziger, staubiger Luft, öligem Kraftstoff und Abgasverschmutzung. Die Verwendung in diesen Umgebungen kann zu Schäden am Maschine.
- Stellen Sie vor dem Anschließen an die Arbeitsstromversorgung sicher, dass die Maschine ausgeschaltet ist und die Versorgungsspannung nicht niedriger oder höher als 10 % der Nennbetriebsspannung ist. Spannung der Maschine!
- Berühren Sie nicht den heißen Bereich der Maschine, während diese in Betrieb ist! Beispiel: Zylinderkopf, Rückschlagventil und andere Komponenten. Wenn eine Wartung erforderlich ist, schalten Sie die Maschine aus, trennen Sie die Stromversorgung und warten Sie, bis die Maschine abgekühlt ist um Verbrennungen zu vermeiden!
- Die Maschine hat strenge Anforderungen an das Netzkabel. Bitte beachten Sie die Spezifikation Einzelheiten entnehmen Sie bitte dem Blatt dieses Handbuchs. Das Netzkabel sollte nicht zu lang sein, um eine übermäßige Spannungsabfall und beeinträchtigen die Leistung der Maschine. •Die empfohlene Umgebungstemperatur sollte 0-37°C betragen. Zu niedrig oder zu hoch Die Temperatur kann die Leistung der Maschine beeinträchtigen. •Überprüfen Sie vor dem Gebrauch, ob das Sicherheitsventil wirksam ist. Ziehen Sie das Sicherheitsventil hoch, um zu prüfen, ob es leicht entlüften kann. Drücken Sie nach der Überprüfung auf das Sicherheitsventil, um sicherzustellen, dass es zurücksetzen.
- Vermeiden Sie während des Gebrauchs den Luftauslass der Maschine und die an den Luftauslass angeschlossenen Geräte von direkt auf den Bediener oder anderes Personal gerichtet, um mögliche Gefahren und Verletzungen zu vermeiden zum menschlichen Körper

Vorteile von VEVOR:

Entworfen von einem italienischen Team im eleganten und modernen Industriestil Aussehen; Erben der hohen Standards und der hohen Qualität der VEVOR Marke seit 25 Jahren; Chinas nationales High-Tech-Unternehmen, Schwerpunkt liegt auf Innovation und F&E im pneumatischen Bereich.

## EINFÜHRUNG

Im Vergleich zu herkömmlichen Riemenantrieb oder Direktantrieb Luftkompressor, unsere ölfreien Luftkompressoren (im Folgenden als Luftkompressor bezeichnet) benötigen kein Schmieröl und können eine relativ saubere Luftquelle mit geringem Geräuschpegel, die besonders für Zahnmedizin, Zucht, Medizin, Fitness, Schönheit, chemische Industrie, wissenschaftliche Experimente und andere anspruchsvolle Bereiche geeignet ist Felder. Gleichzeitig kann es auch weit verbreitet in traditionellen Heimwerker-, Auto-Reparatur, Fabriken und anderen Bereichen, wie Luftversorgung für pneumatische Werkzeuge, wie Spritzpistole, Luft Nagler usw., Luftversorgung für Fahrzeugbremsen, Luftversorgung für Werkzeuggeräte usw.

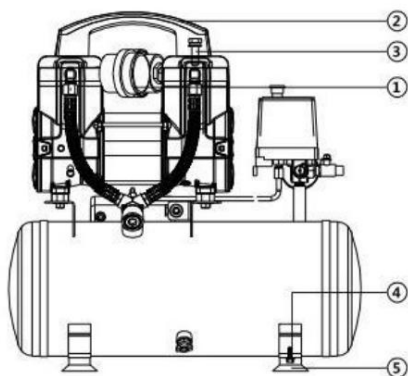
### Vergleich mit herkömmlichem Riemenantrieb oder Direktantrieb

#### Luftkompressoren:

Artikel	Ölfreier Luftkompressor	Direktantrieb oder Riemenantrieb
Schmierung	Nein, ohne Wartungskosten	Ja, höher Wartungskosten
Öl-/Wasserfilter	Keine Notwendigkeit	Brauchen
Sauberkeit der Luft	Höher	Untere
Motor	Höhere Effizienz	Geringere Effizienz
Energieaufnahme	Untere	Höher
Lärm	Leise, leise, etwa 75 dB	Hart, hoch, ca. 90 dB
kontinuierlich arbeiten	Weniger restriktiv	Restriktiver
Ausfallrate	Untere	Höher
Arbeiten bei niedrigen Temperaturen	Anwendbar	Nicht zutreffend. Risiko der Emulgierung

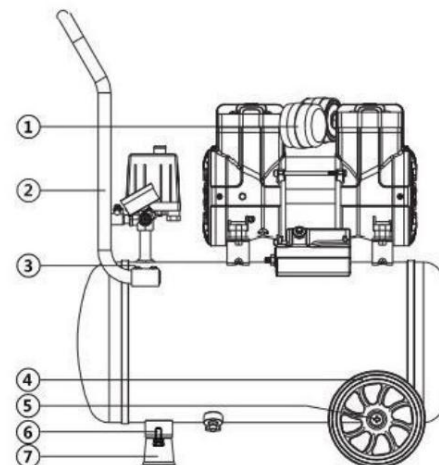
Hinweis: Die oben genannten Daten stammen aus dem Labor des Herstellers

## PACKUNGSINHALT & MONTAGE



### Grifftyp Maschine

NEIN.	Ersatzteile	Menge
1	Luftfilter	2
2	Handhaben	1
3	Schrauben	2
4	Bolzen	4
5	Polsterfuß 4	



### Zugstangentyp

NEIN.	Ersatzteile	Menge
1	Luftfilter	2
2	Zugstange	1
3	Schrauben	4
4	Rad	2
5	Achse	2
6	Bolzen	1
7	Polsterfuß	1

## MONTAGE

### 1. Rad (Bild A)

Führen Sie die Schrauben nacheinander durch die Rollen und die Löcher der unteren Halterung des Rumpfes. ziehen Sie die Kontermutter fest.

### 2. Kissenfuß (Abb. B)

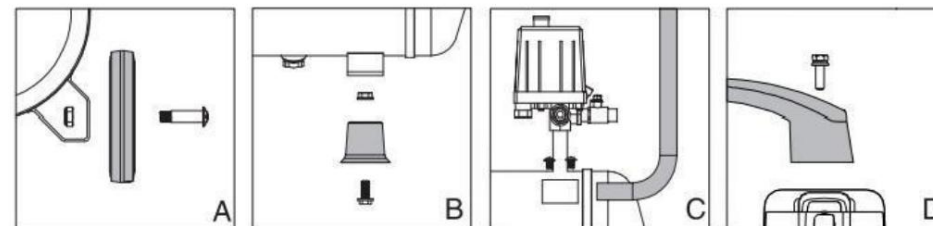
Schrauben Sie den Polsterfuß in das Schraubenloch der Maschine und ziehen Sie die Mutter fest, um ihn zu fixieren.

### 3. Zugstange (Abb. C)

Schieben Sie die Zugstange zur Halterung und befestigen Sie sie durch Festziehen der Mutter.

### 4. Griff (Bild D)

Befestigen Sie den Griff mit der Mutter am Kolbendeckel.



## BETRIEB

### 1. Sicherheitsventil (Abb. E):

Das Sicherheitsventil wird hauptsächlich verwendet, um den Luftdruck stabil zu halten. Wenn der Luftdruck überschreitet 10 bar (15 bar bei Hochdruckmodellen), wird der Druck automatisch abgelassen, um zu schützen die Sicherheit der Benutzer. Achtung! Das Sicherheitsventil kann nicht zum Entleeren verwendet werden. Häufiges Herausziehen des Sicherheitsventils kann leicht zu einer Beschädigung des Sicherheitsventils führen.

### 2. Druckmesser (Abb. E): Der

Luftkompressor wird während des Normalbetriebs automatisch über einen Druckschalter gesteuert.

Wenn der Druck den Höchstwert erreicht, wird er automatisch gestoppt, und wenn der

Druck fällt auf den Startdruck, es wird automatisch gestartet. Der Arbeitsdruck der

Der Luftdruckschalter wurde vor Verlassen des Werks eingestellt und kann während des Gebrauchs nicht beliebig verändert werden. Der Druck wird durch das Manometer angezeigt.

### 3. Stromanschluss: Stecken

Sie den Stecker ein und schalten Sie den Strom ein (Strom muss geerdet sein). Hinweis: Der Luftkompressor

sollte nicht zu weit von der Stromquelle entfernt aufgestellt werden (innerhalb von 10 Metern), um nicht

Reduzieren Sie die Spannung des Motors.

### 4. Druckschalter (Bild F)

Vertikaler Schalter: Ziehen Sie den Schalterknopf nach oben, um das Gerät einzuschalten, und drücken Sie den Knopf, um es auszuschalten. Horizontal

Schalter: Drehen Sie den Schalter auf AUTO, um ihn einzuschalten; drehen Sie den Schalter auf OFF, um ihn auszuschalten.

### 5. Luftauslass (Abb. E)

1. Der Kugelhahn kann direkt verwendet werden.

2. Stellen Sie vor der Verwendung des Schnellanschlusses sicher, dass im Lufttank kein Druck herrscht.

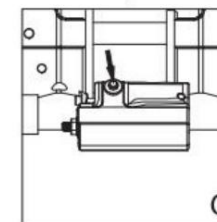
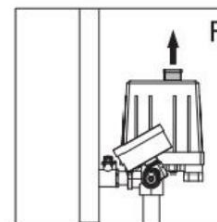
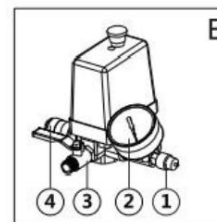
### 6. Bewegung

Bevor Sie den Kompressor bewegen, vergewissern Sie sich, dass der Schalter ausgeschaltet ist und der Netzstecker

aus der Steckdose gezogen. Fassen Sie den Griff, heben Sie den Luftkompressor an, bewegen Sie den Luftkompressor

in die gewünschte Position, senken Sie den Griff ab und stellen Sie sicher, dass der Luftkompressor auf ebenem Boden steht.

Hinweis: Achten Sie auf einen festen Stand Ihrer Füße und holen Sie sich ggf. Hilfe.



### 7. Überlastschutz (Abb. G)

Dieses Produkt ist mit einem Überlastschutz ausgestattet. Wenn die Betriebsspannung zu hoch ist, zu niedrig oder zu hoch ist oder die Arbeitsumgebung eine hohe Umgebungstemperatur aufweist, ist der Motor überhitzt, schaltet die Maschine automatisch die Stromversorgung ab, um den Motor zu schützen.

Der Benutzer muss zuerst den Netzschalter ausschalten, 3-10 Minuten warten und dann die rote Reset-Taste (je nach Kühlzustand) drücken, dann einschalten, die Maschine kann verwendet werden.

Normalerweise funktioniert die Taste nach dem Zurücksetzen immer noch nicht normal. Warten Sie 30 Minuten oder länger und starten Sie den Motor erst, nachdem er vollständig abgekühlt ist.

## WARTUNG

Vor allen Wartungs- und Reparaturarbeiten müssen Sie die Stromversorgung unterbrechen und sicherstellen, dass die Der Lufttank ist drucklos, sonst besteht sehr leichte Verletzungsgefahr!!

1. Bitte reinigen und warten Sie die Maschine regelmäßig.

2. Wenn das Netzkabel beschädigt ist, muss es zur Vermeidung von Gefahren durch den Wartungsabteilung des Herstellers oder eine qualifizierte Person.

3. Öffnen Sie das Ablassventil, um das Wasser täglich oder nach jedem Gebrauch abzulassen. Beim Ablassen wird der Druck Der Druck im Luftbehälter sollte unter 1 Bar liegen.

4. Überprüfen Sie jede Woche, ob das Sicherheitsventil empfindlich ist, ziehen Sie das Sicherheitsventil heraus, um zu prüfen, ob es leicht entleert werden kann, und ob es nach dem Drücken sofort zurückgesetzt werden kann.

5. Es wird empfohlen, das Filterelement des Luftfilters alle 200 Betriebsstunden zu entfernen und mit sauberer Hochdruckluft zu reinigen. Das Filterelement des Luftfilters alle 500 Stunden auszutauschen. und ersetzen Sie den Zylinder und den Kolbenring alle 2000 Stunden. Die Details finden Sie der tatsächlichen Nutzung angepasst werden.



6. Der Luftbehälter wird alle zwei Jahre einem Drucktest unterzogen und die Innen- und Außenflächen werden einmal jährlich überprüft. Bei starkem Rost oder starken Druckstellen oder wenn der Drucktest nicht bestanden wird, muss der Luftbehälter ausgetauscht werden.

7. Achten Sie bei starken Maschinenvibrationen darauf, ob Sie das Stoßdämpferpolster austauschen müssen.

### Vorsichtsmaßnahmen für die Wartung:

(1) Unterbrechen Sie vor der Demontage der Maschine die Stromversorgung, warten Sie, bis die Maschine abgekühlt ist, und stellen Sie sicher, dass der Lufttank drucklos ist.

(2) Während der Wartung sollten die Befestigungselemente festgezogen werden. Wenn Schäden festgestellt werden, sollten sie durch neue ersetzt werden.

(3) Wenn die Wartung abgeschlossen ist, sollte der Lüfter nach der Neuinstallation gedreht werden, um zu prüfen, ob Anomalien

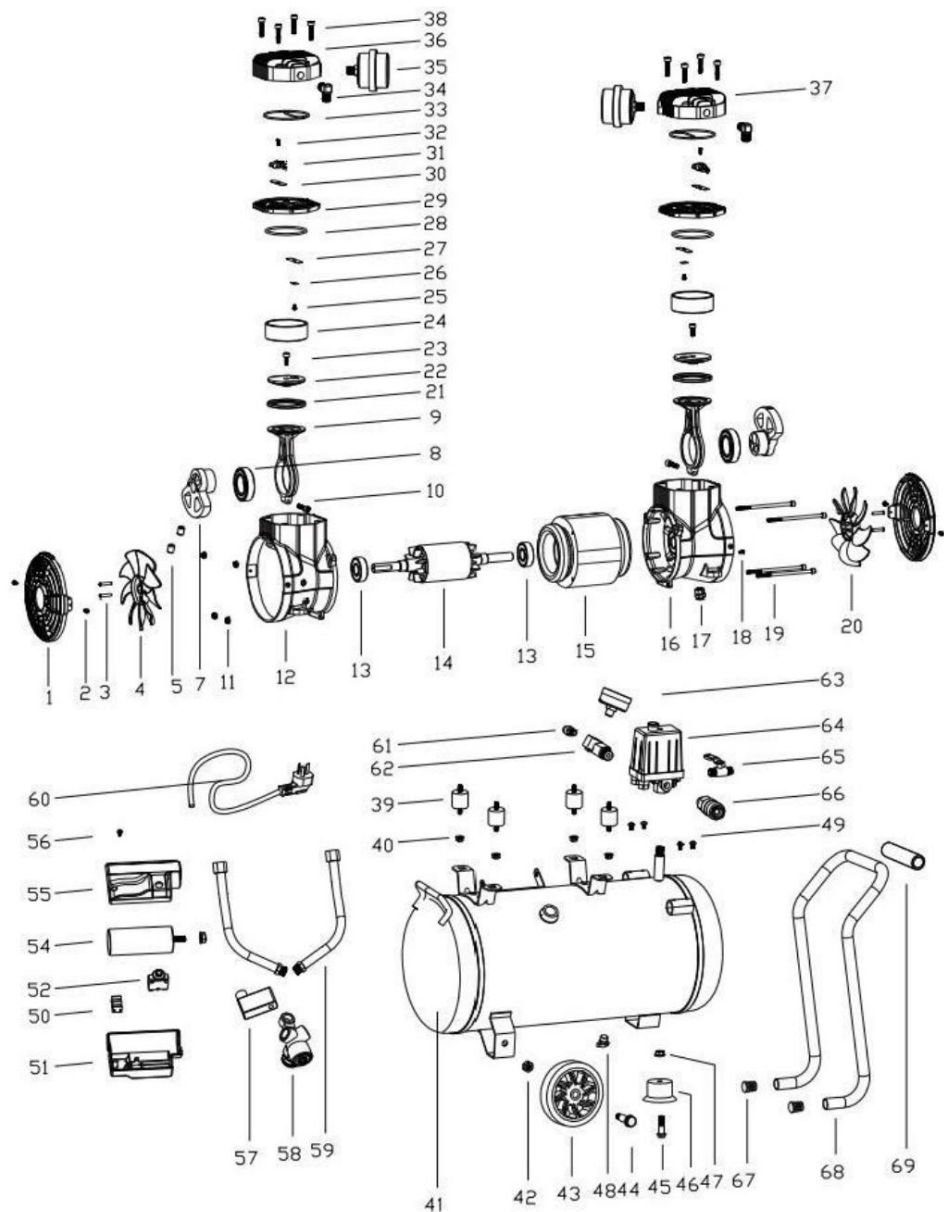
(Hinweis: Der linke und der rechte Lüfter blasen nach innen, wenn sich der Motor dreht.)

## FEHLERBEHEBUNG

Achtung: Vor allen Wartungs- und Reparaturarbeiten unbedingt die Stromzufuhr unterbrechen und sicherstellen, dass der Luftbehälter drucklos ist, sonst besteht höchste Verletzungsgefahr!

Problem	Mögliche Ursache	Lösung
Der Motor startet nicht und ohne Geräusche	Keine Stromversorgung	Überprüfen Sie den Stecker und die Stromversorgung
	Druckschalter ist ausgeschaltet	schalten Sie den Druckschalter ein
	Unter Überlastschutz	Drücken Sie die rote Reset-Taste, um zu starten, nachdem die Maschine abgekühlt ist
	Druckschalter defekt	Ersetzen Sie den Druckschalter
	Stator defekt	Ersetzen Sie den Stator
Der Motor oder die Motorwicklung summenden Geräusch	Niederspannungsversorgung	Stellen Sie den Luftkompressor an einen gut belüfteten Ort
	Kurzschluss oder offener Stromkreis startet langsam und mit einem	Kontaktieren Sie Auarita oder Ihren Händler
Der Überlastschutz unterbricht die Stromversorgung wiederholt	Rückschlagventil oder Druck Schalter defekt	Kontaktieren Sie Auarita oder Ihren Händler
	Niederspannungsversorgung	Überprüfen Sie die Eingangsspannung. Sie darf nicht 10 % unter der Nennspannung liegen.
	Schlechte Belüftung, zu hohe Temperatur	Überprüfen Sie die Eingangsspannung, sie darf nicht 10 % unter der Nennspannung liegen.
Druckabfall im Tank	Falsche Installation des Lüfters	Überprüfen Sie den Lüfter und bauen Sie ihn in der richtigen Richtung ein
	Luftlecks an den Anschlüssen	Überprüfen Sie jede Verbindung, ziehen Sie undichte Verbindungen fest
	Ablassventil ist offen oder locker	Das Ablassventil festziehen
Das Abgas hat eine hohe Feuchtigkeit	Luftlecks am Rückschlagventil	Entfernen und reinigen, wenn es immer noch nicht funktioniert, Ersetzen Sie das Rückschlagventil
	Viel Wasser im Tank	Lassen Sie das Wasser im Tank ab
Der Motor stoppt nicht	Die Arbeitsumgebung mit zu hoher Luftfeuchtigkeit	Stellen Sie den Luftkompressor an einen Ort mit geringer Luftfeuchtigkeit oder verwenden Sie einen Öl-Wasser-Abscheider.
	Druckschalter defekt	Ersetzen Sie den Druckschalter
Maschine mit Hohe Vibration	Luftleck, maximaler Druck kann nicht erreicht werden	Undichte Verbindung prüfen und festziehen
	Lose Befestigungselemente	Überprüfen und fester
	Die Innenteile des Luftkompressors sind altern oder beschädigt	Fuß oder Stoßdämpfer ersetzen
Der maximale Arbeitspunkt kann nicht erreicht werden Druck	Polsterfuß oder Stoßdämpfer beschädigt	Ersetzen Sie alte oder beschädigte Teile
	Ablassventil ist offen oder locker	Das Ablassventil festziehen
	Luftfilter verstopft	Reinigen oder ersetzen Sie das Filterelement
	Luftleckage	Prüfen und festziehen
	Schlechte Ventilfunktion oder Fremdkörper oder Luftleckage	Reinigen oder ersetzen
	Übermäßiger Verschleiß der Kolbenringe	Ersetzen Sie den Kolbenring

## EXPLODIERUNGSBILDER UND TEILELISTE



Nr. Teile	Menge	Nr. Teile	ty
1 Lüfterhaube	2	36 Linker Zylinderdeckel	2
2 Schraube	4	37 Rechter Zylinderdeckel	1
3 Schraube	2	38 Schraube	1
4 Linker Lüfter	1	39 Stoßdämpfer	8
5 Stellschraube	2	40 Schraube	4
6 Stellschraube	2	41 Luftbehälter	4
7 Kurbel	2	42 Mutter	1
8 Lager	2	43 Rad	2
9 Pleuelstange	2	44 Achse	2
10 Schraube	2	45 Bolzen	1
11 Mutter	4	46 Polsterfuß	1
12 Kurbelgehäuse	1	47 Mutter	1
13 Lager	2	48 Ablassventil	1
14 Rotor	1	49 Kontermutter für Griff	4
15 Stator		50 Klemmenblock	1
16 Kurbelgehäuse		51 Untere Abdeckung für Kondensator 1	
17 Zugentlastungsbuchse	1	52 Überlastschutz	1
18 Erdungsschraube	1	53 Mutter für Kondensatorgehäuse	1
19 Schraube	4	54 Kondensator	1
20 Rechter Lüfter	1	55 Obere Abdeckung für Kondensator 1	
21 Kolbenring	2	56 Schraube	1
22 Druckplatte	2	57 Magnetventil	1
23 Schraube	2	58 Rückschlagventil	1
24 Zylinder	2	59 Hochdruckrohr	2
25 Schraube	2	60 Netzkabel und Stecker	1
26 Metallverstärkungsblech	2	61 Sicherheitsventil	1
27 Luftventil	2	62 Anschlussstück	1
28 Zylinderverschlussring 2		63 Druckmessgerät	1
29 Ventilplatte	2	64 Druckschalter	1
30 Auf vave	2	65 Kugelhahn	1
31 Begrenzter Block	2	66 Schnellverbinder	1
32 Schraube	2	67 Endkappe	2
33 Verschlussring	2	68 Griff	1
34 Winkelstück	2	69 Schaumstoffmanschette	1
35 Luftfilter	2		

## SPECIFICHE DEL PRODOTTO

Serie	Area di vendita	Contro	Voltaggio Frequenza	Flusso d'aria	Massimo	Energia	Cistema	Energia	Motore	
				@8 bar	pressione	volume	rumore	corda	Velocità	
				Bar l/min		kW	L	dB(A)	mm <sup>2</sup>	rpm
Senza olio serie	Stati Uniti Canada	2-900F8	120V~ 60 Hz	65	8	0,9	8	75	1,5	3400
		2-900F18		65	8	0,9	18	75	1,5	3400
		2-1450F24		95	8	1,45	24	75	2,5	3400
	IL europeo Unione	2-900F8	220-240V~ 50 Hz	65	8	0,9	8	72	0,75	2800
		2-900F18		65	8	0,9	18	72	0,75	2800
		2-1450F24		95	8	1,45	24	72	1	2800
		2-1800F35		140	8	1,8	35	76	1,5	2800

### Smaltire:

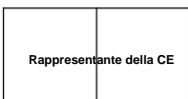
Questo prodotto è soggetto alle disposizioni della Direttiva Europea 2012/19/CE. Il simbolo raffigurante un bidone della spazzatura barrato indica che il prodotto richiede una raccolta differenziata dei rifiuti l'Unione Europea. Ciò si applica al prodotto e a tutti gli accessori contrassegnati con questo simbolo. I prodotti contrassegnati come tali potrebbero non essere smaltiti con i normali rifiuti domestici, ma deve essere portato un punto di raccolta per il riciclaggio di apparecchiature elettriche ed elettroniche.

**FC** Questo dispositivo è conforme alla Parte 15 delle Norme FCC.

**C** Il funzionamento è soggetto alle due condizioni seguenti:

1. Questo dispositivo non deve causare interferenze dannose;
2. Questo dispositivo deve accettare qualsiasi interferenza ricevuta, inclusa interferenze che potrebbero causare un funzionamento indesiderato.

Indirizzo: Shuangchenglu 803nong11hao1602A-1609shi,baoshanqu,  
Shanghai 200000 CN.



E-CrossStu GmbH.  
Mainzer Landstr.69,60329 Francoforte sul Meno.

# Vevor Q

## COMPRESSORE D'ARIA SENZA OLIO

MANUALE D'USO

# VEVORE

E-mail:CustomerService@vevor.com

# VEVOR ARIA SENZA OLIO

## COMPRESSORE

Manuale di istruzioni



Fornitura ad alto flusso

Senza olio

Basso rumore

vibrazione

Basso aumento della temperatura

alto

silenziosa ad alta velocità

Protezione motore

6

**HAI BISOGNO DI AIUTO? CONTATTACI!**

**Hai domande sul prodotto? Hai bisogno di supporto tecnico? Non esitare a contattarci:**

**Servizio Clienti@vevor.com**

Queste sono le istruzioni originali, leggere attentamente tutte le istruzioni del manuale prima di utilizzare il prodotto. VEVOR si riserva la chiara interpretazione del nostro manuale utente. L'aspetto del prodotto deve essere soggetto al prodotto ricevuto. Per favore perdonaci se non ti informeremo di nuovo se ci sono aggiornamenti tecnologici o software sul nostro prodotto

## IMPORTANTI ISTRUZIONI DI SICUREZZA

Questo manuale contiene istruzioni importanti per l'utilizzo di questo prodotto. Per la tua sicurezza e per quella sicurezza degli altri, assicurarsi di leggere attentamente questo manuale prima di utilizzare il prodotto. Grazie per aver scelto il compressore d'aria oil-free VEVOR. Contattaci se hai qualsiasi domande

- La macchina deve essere conservata in un luogo asciutto e ventilato, evitando rigorosamente di avvicinarla a sostanze deperibili, infiammabili e chimiche! Il periodo di conservazione non deve superare i due anni dalla data di uscita dalla fabbrica, se supera il periodo di stoccaggio. Controllare e mantenere prima dell'uso, oppure effettuare una prova se necessario!
- È severamente vietato urtare la macchina, posizionarla in modo stabile durante l'uso e deve essere impedito di inclinarlo e capovolgerlo durante il trasporto per evitare malfunzionamenti!
- Cercare di evitare di utilizzarlo in un ambiente in cui la temperatura è troppo alta, l'aria è sporca, polverosa, con carburante oleoso e inquinamento da gas di scarico. L'uso in questi ambienti può causare danni alla macchina.
- Prima di collegare l'alimentazione elettrica funzionante, assicurarsi che la macchina sia spenta e che la tensione di alimentazione non sia inferiore o superiore al 10% della tensione di lavoro nominale. tensione della macchina!
- Non toccare la zona ad alta temperatura della macchina mentre la macchina è in funzione! Per ad esempio, la testata del cilindro, la valvola di ritegno e altri componenti. Se è necessaria la manutenzione, spegnere la macchina, scollegare l'alimentazione e attendere che la macchina si raffreddi verso il basso per evitare ustioni!
- La macchina ha requisiti rigorosi per il cavo di alimentazione. Fare riferimento alle specifiche foglio di questo manuale per i dettagli. Il cavo di alimentazione non deve essere troppo lungo per evitare eccessivi caduta di tensione e influenzare le prestazioni della macchina. •La temperatura ambiente consigliata dovrebbe essere 0-37°C. Troppo bassa o troppo alta la temperatura può influire sulle prestazioni della macchina. •Prima dell'uso, confermare se la valvola di sicurezza è efficace, tirare su la valvola di sicurezza per verificare se può sfiatare facilmente. Dopo il controllo, premere la valvola di sicurezza per assicurarsi che sia stata reset.
- Durante l'uso, evitare che l'uscita dell'aria della macchina e l'apparecchiatura collegata all'uscita dell'aria direttamente rivolto verso l'operatore o altro personale per prevenire possibili pericoli potenziali e lesioni al corpo umano

**Vantaggi di VEVOR:**

Progettato dal team italiano, con uno stile industriale elegante e moderno aspetto; Ereditando gli elevati standard e l'alta qualità del Marchio VEVOR da 25 anni; impresa nazionale cinese ad alta tecnologia, focalizzandosi sull'innovazione e sulla ricerca e sviluppo nel campo pneumatico.

## INTRODUZIONE

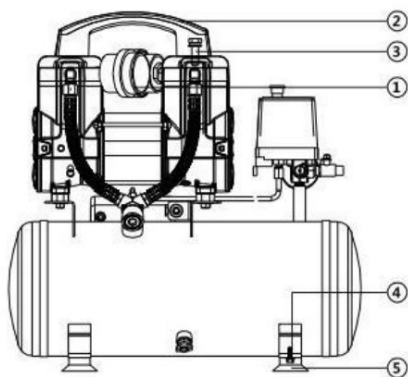
Rispetto ai tradizionali compressori d'aria a trasmissione a cinghia o a trasmissione diretta, il nostro compressore d'aria oil-free (di seguito denominati compressori d'aria) non necessitano di olio lubrificante e possono fornire un fonte di aria relativamente pulita con basso rumore, che è particolarmente adatta per odontoiatria, allevamento, medicina, fitness, bellezza, industria chimica, esperimenti scientifici e altri settori ad alta richiesta campi. Allo stesso tempo, può anche essere ampiamente utilizzato nel miglioramento della casa tradizionale, nell'auto riparazione, fabbriche e altri campi, come l'alimentazione dell'aria per utensili pneumatici, come pistola a spruzzo, aria chiodatrice ecc., alimentazione aria per freni di veicoli, alimentazione aria per attrezzature utensili, ecc.

Confronto con la tradizionale trasmissione a cinghia o a trasmissione diretta compressori d'aria:

Elementi	Compressore d'aria senza olio	Trasmissione diretta o a cinghia
Lubrificazione	No, senza costo di manutenzione	Sì, più alto costo di manutenzione
Filtro olio/acqua	Non c'è bisogno	Bisogno
Pulizia dell'aria	Più alto	Inferiore
Motore	Maggiore efficienza	Minore efficienza
Consumo energetico	Inferiore	Più alto
Rumore	Morbido, basso, circa 75db	Forte, alto, circa 90 dB
lavorando continuamente	Meno restrittivo	Più restrittivo
Tasso di fallimento	Inferiore	Più alto
Lavorazione a bassa temperatura	Applicabile	Non applicabile rischio di emulsificazione

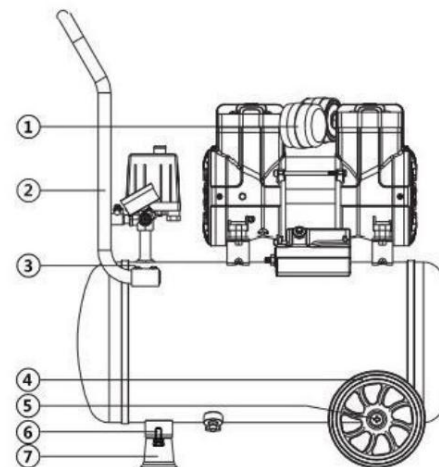
Nota: i dati sopra riportati provengono dal laboratorio del produttore

## CONTENUTO DELLA CONFEZIONE E MONTAGGIO



### Macchina tipo maniglia

NO.	Parti	Quantità
1	Filtro dell'aria	2
2	Maniglia	1
3	Vite	2
4	Bullone	4
5	Piedino ammortizzatore	4



### Tipo di tirante

NO.	Parti	Quantità
1	Filtro dell'aria	2
2	Tirante	1
3	Vite	4
4	Ruota	2
5	Asse	2
6	Bullone	1
7	Piedino ammortizzatore	1

## ASSEMBLAGGIO

### 1. Ruota (Fig.A)

Passare le viti attraverso le rotelle e i fori del movimento centrale della fusoliera a turno, stringere il controdado.

### 2. Piedino ammortizzatore (Fig.B)

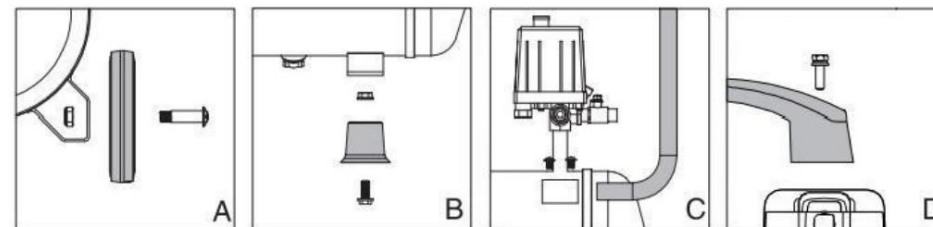
Avvitare il piedino ammortizzato nel foro della macchina e stringere il dado per fissarlo.

### 3. Tirante (Fig.C)

Far scorrere la barra di trazione sul supporto e stringere il dado per fissarla

### 4. maniglia (Fig.D)

Fissare la maniglia al coperchio del pistone con il dado.



## OPERAZIONE

### 1. valvola di sicurezza (Fig. E)

**E):** la valvola di sicurezza viene utilizzata principalmente per mantenere stabile la pressione dell'aria. Quando la pressione dell'aria supera 10 bar (15 bar per i modelli ad alta pressione), rilascerà automaticamente la pressione per proteggere la sicurezza degli utenti. Attenzione! La valvola di sicurezza non può essere utilizzata per sgonfiare. Estrazione frequente della valvola di sicurezza può facilmente danneggiarla.

### 2. Manometro (Fig. E): il compressore

d'aria è controllato automaticamente dal pressostato durante il normale funzionamento.

Quando la pressione raggiunge il valore massimo, si fermerà automaticamente e quando il

la pressione scende alla pressione di partenza, si avvia automaticamente. La pressione di esercizio dell'

Il pressostato dell'aria è stato regolato prima di lasciare la fabbrica e non può essere modificato a piacimento durante l'uso.

La pressione è visualizzata dal manometro.

### 3. Collegamento

**dell'alimentazione:** collegare la spina e accendere l'alimentazione (l'alimentazione deve essere collegata a terra). Nota: il compressore d'aria non deve essere posizionato troppo lontano dalla fonte di alimentazione (entro 10 metri), per non ridurre la tensione del motore.

### 4.Pressostato (Fig.F)

Interruttore verticale: tirare verso l'alto il pulsante dell'interruttore per accendere e premere il pulsante per spegnere. Orizzontale

Interruttore: ruotare l'interruttore su AUTO per accenderlo; ruotare l'interruttore su OFF per spegnerlo.

### 5. Uscita aria (Fig.E)

1. La valvola a sfera può essere utilizzata

direttamente. 2. Prima di utilizzare il connettore rapido, assicurarsi che non ci sia pressione nel serbatoio dell'aria.

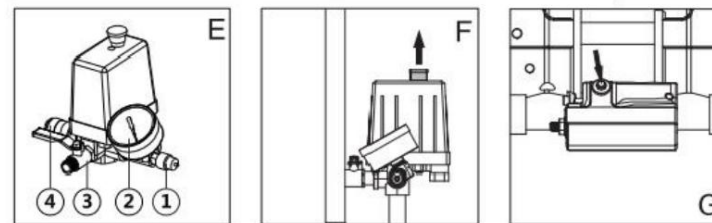
### 6.Movimento

Prima di spostare il compressore, assicurarsi che l'interruttore sia spento e che la spina del cavo di alimentazione sia

scollegato dalla presa. Afferrare la maniglia, sollevare il compressore d'aria, spostare il compressore d'aria

nella posizione desiderata, abbassare la maniglia e assicurarsi che il compressore d'aria sia posizionato su una superficie piana.

Nota: assicurati che i tuoi piedi siano ben saldi e chiedi aiuto se necessario.



### 7.Protezione da sovraccarico (Fig.G)

Questo prodotto è dotato di un dispositivo di protezione da sovraccarico. Quando la tensione di lavoro è troppo

basso o troppo alto, o l'ambiente di lavoro è con temperatura ambiente elevata, il motore è

surriscaldato, la macchina interromperà automaticamente l'alimentazione per proteggere il motore. Dopo

che, l'utente deve prima spegnere l'interruttore di alimentazione, attendere 3-10 minuti e quindi premere il

pulsante di reset rosso (a seconda delle condizioni di raffreddamento), quindi accenderlo, la macchina può essere utilizzata

normalmente, se il pulsante viene ripristinato, non funziona ancora normalmente. Attendere 30 minuti o più e

quindi avviare il motore dopo che si è completamente raffreddato.

## MANUTENZIONE

Prima di qualsiasi intervento di manutenzione o riparazione, è necessario interrompere l'alimentazione elettrica e accertarsi che il serbatoio dell'aria è privo di pressione, altrimenti è molto facile farsi male!!

1. Si prega di pulire e sottoporre a manutenzione la macchina regolarmente.

2. Se il cavo di alimentazione è danneggiato, per evitare pericoli, deve essere sostituito dal reparto manutenzione del produttore o persona qualificata.

3. Aprire la valvola di scarico per scaricare l'acqua ogni giorno o dopo ogni utilizzo. Durante lo scarico, la pressione nel serbatoio dell'aria deve essere inferiore a 1 bar.

4. Controllare ogni settimana se la valvola di sicurezza è sensibile, estrarla per verificare se può essere scaricata facilmente e se può essere ripristinata immediatamente dopo averla premuta.

5. Si consiglia di rimuovere l'elemento filtrante del filtro dell'aria e di pulirlo con aria pulita ad alta pressione ogni 200 ore di utilizzo, sostituire l'elemento filtrante del filtro dell'aria ogni 500 ore di utilizzo e sostituire il cilindro e l'anello del pistone ogni 2000 ore di utilizzo. I dettagli possono essere adattati in base all'uso effettivo.

6. I serbatoi dell'aria devono essere sottoposti a una prova di pressione ogni due anni e le superfici interne ed esterne devono essere ispezionate una volta all'anno. In caso di grave ruggine, gravi ammaccature o mancato superamento della prova di pressione, i serbatoi dell'aria devono essere sostituiti.

7. In caso di forti vibrazioni della macchina, verificare se è necessario sostituire il cuscinetto ammortizzatore.

### Precauzioni per la manutenzione:

(1) Prima di smontare la macchina, interrompere l'alimentazione elettrica, attendere che la macchina si raffreddi e assicurarsi che il serbatoio dell'aria sia privo di pressione.

(2) Durante il processo di manutenzione, gli elementi di fissaggio devono essere serrati e, se si riscontrano danni, sostituirli con elementi nuovi.

(3) Quando la manutenzione è terminata, dopo la reinstallazione, la ventola deve essere ruotata per controllare anomalie

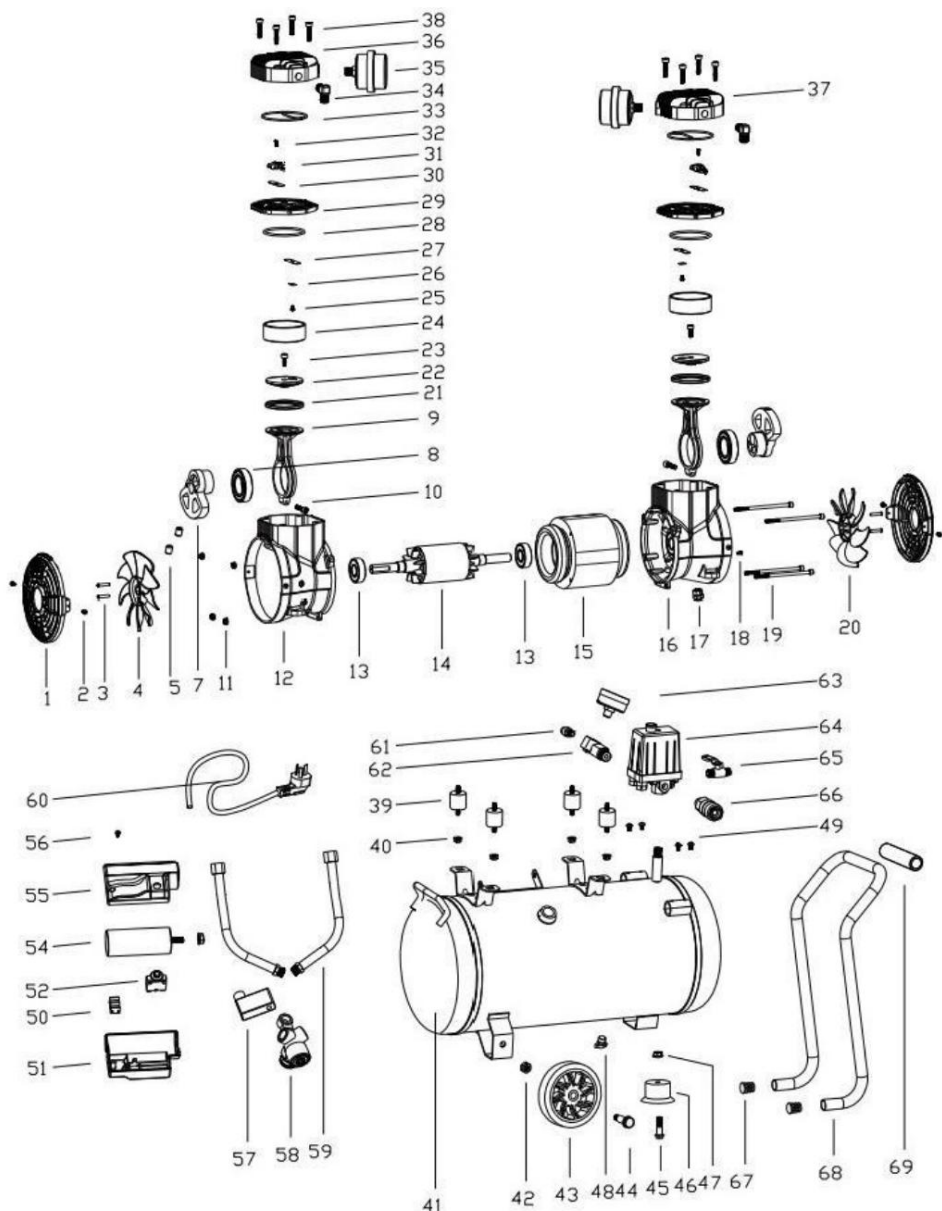
(Nota: quando il motore gira, la ventola sinistra e quella destra soffiano verso l'interno.)

## RISOLUZIONE DEI PROBLEMI

Attenzione: prima di qualsiasi intervento di manutenzione o riparazione, è necessario interrompere l'alimentazione elettrica e assicurarsi che il serbatoio dell'aria sia privo di pressione, altrimenti è molto facile subire lesioni!

Problema	Possibile causa	Soluzione
Il motore non si avvia e senza alcun rumore	Nessuna alimentazione	Controllare la spina e l'alimentatore
	Il pressostato è spento	accendere il pressostato
	Sotto protezione da sovraccarico	Premere il pulsante rosso di reset per avviare dopo che la macchina si è raffreddata
	Pressostato difettoso	Sostituire il pressostato
	Statore difettoso	Sostituire lo statore
Il motore fa l'avvolgimento del rumore di ronzio motore	Alimentazione a bassa tensione	Posizionare il compressore d'aria in un luogo ben ventilato
	Cortocircuito o circuito aperto non si avvia o si avvia lentamente, con un motore	Contattare Auarita o il rivenditore
	Valvola di ritegno o pressione Interruttore difettoso	Contattare Auarita o il rivenditore
Il protettore da sovraccarico interrompe ripetutamente l'alimentazione	Alimentazione a bassa tensione	Controllare la tensione di ingresso, non può essere inferiore del 10% rispetto alla tensione nominale
	Scarsa ventilazione, temperatura troppo alta	Controllare la tensione di ingresso, non può essere inferiore del 10% rispetto alla tensione nominale
	Installazione errata della ventola	Controllare la ventola e installarla nella direzione corretta
Cadute di pressione nel serbatoio	Perdite d'aria nei collegamenti	Controllare ogni collegamento, stringere il collegamento che perde
	La valvola di scarico è aperta o allentata	Stringere la valvola di scarico
	Perdite d'aria dalla valvola di ritegno	Rimuovere e pulire, se ancora non funziona, Sostituire la valvola di ritegno
I gas di scarico hanno un'elevata umidità	Un sacco di acqua nel serbatoio	Svuotare l'acqua nel serbatoio
	Ambiente di lavoro con umidità troppo elevata	Spostare il compressore d'aria in un luogo con bassa umidità o utilizzare un separatore olio-acqua
Il motore non si ferma	Pressostato difettoso	Sostituire il pressostato
	Perdita d'aria, non è possibile raggiungere la pressione massima	Controllare e serrare il collegamento che perde
Macchina con Alta vibrazione	Elementi di fissaggio allentati	Controllare e stringere
	Le parti interne del compressore d'aria sono invecchiate o danneggiate	Sostituire il piede o il cuscinetto antiurto
	Piedino ammortizzatore o cuscinetto antiurto danneggiato	Sostituire le parti vecchie o danneggiate
Non è possibile raggiungere il massimo funzionamento a pressione	La valvola di scarico è aperta o allentata	Stringere la valvola di scarico
	Filtro dell'aria bloccato	Pulire o sostituire l'elemento filtrante
	Perdita d'aria	Controllare e stringere
	Cattivo funzionamento della valvola o presenza di corpi estranei o perdite d'aria	Pulisci o sostituisci
	Usura eccessiva degli anelli del pistone	Sostituire l'anello del pistone

## ESPLOSO VIED & ELENCO PARTI



No. Parti	Quantità	n. Parti	ty
1 Copertura del ventilatore	2	36 Coperchio cilindro sinistro	2
2 Vite	4	37 Coperchio cilindro destro	1
3 Vite	2	38 Vite	1
4 Ventilatore sinistro	1	39 Tampone antiurto	8
5 Vite di fissaggio	2	40 Vite	4
6 Vite di fissaggio	2	41 Serbatoio dell'aria	4
7 Manovella	2	42 dado	1
8 Cuscinetto	2	43 Ruota	2
9 Biella	2	44 assale	2
10 Vite	2	45 Bullone	1
11 Noce	4	46 Piedino per cuscino	1
12 Carter motore	1	47 Dado	1
13 Cuscinetto	2	48 Valvola di scarico	1
14 Rotore	1	49 Controdado per maniglia	4
15 Statore		50 Morsetti	1
16 Carter motore		51 Coperchio inferiore per condensatore 1	
17 Boccola di scarico della trazione	1	52 Protezione da sovraccarico	1
18 Vite di messa a terra	1	53 Dado per cassa del condensatore	1
19 Vite	4	54 Condensatore	1
20 Ventilatore destro	1	55 Coperchio superiore per condensatore 1	
21 Anello del pistone	2	56 Vite	1
22 Piastra di pressione	2	57 Elettrovalvola	1
23 Vite	2	58 Valvola di ritegno	1
24 Cilindro	2	59 Tubo ad alta pressione	2
25 Vite	2	60 Cavo di alimentazione e spina	1
26 Lamiera di rinforzo in metallo	2	61 Valvola di sicurezza	1
27 Valvola dell'aria	2	62 Connettore	1
28 Anello di otturazione del cilindro 2		63 Manometro	1
29 Piastra valvola	2	64 Pressostato	1
30 Sulla valvola	2	65 Valvola a sfera	1
31 Blocco limitato	2	66 Connettore rapido	1
32 Vite	2	67 Tappo terminale	2
33 Anello otturante	2	68 Maniglia	1
34 Gomito	2	69 Manicotto in schiuma	1
35 Filtro dell'aria	2		



## ESPECIFICACIONES DEL PRODUCTO

Área de venta de la serie	Contra	Voltaje Frecuencia	Flujo de aire a 8 bar	Máximo presión	Fuerza	Tanque Volumen	Ruido	Fuerza cable	Motor Velocidad
			L/min Barra	bar	W	litros	dB mm <sup>2</sup>	RPM	
Sin aceite serie	Estados Unidos Canadá	2-900F8	65	8	0.9	8	75	1,5	3400
		2-900F18	65	8	0.9	18	75	1,5	3400
		2-1450F24	95	8	1,45	24	75	2,5	3400
	El europeo Unión	2-900F8	65	8	0.9	8	72	0,75	2800
		2-900F18	65	8	0.9	18	72	0,75	2800
		2-1450F24	95	8	1,45	24	72	1	2800
		2-1800F35	140	8	1.8	35	76	1,5	2800

### Disponer:

Este producto está sujeto a las disposiciones de la Directiva europea 2012/19/CE. El símbolo que muestra un contenedor de basura tachado indica que el producto requiere recolección de residuos por separado la Unión Europea. Esto se aplica al producto y a todos los accesorios marcados con este símbolo. Los productos marcados como tal no pueden desecharse con los residuos domésticos normales, sino que deben llevarse a Punto de recogida para el reciclaje de aparatos eléctricos y electrónicos.

**FC** Este dispositivo cumple con la Parte 15 de las Normas de la FCC.  
do La operación está sujeta a las dos condiciones siguientes:

1. Este dispositivo no puede causar interferencias dañinas;
2. Este dispositivo debe aceptar cualquier interferencia recibida, incluida interferencia que pueda causar un funcionamiento no deseado.

Dirección: Shuangchenglu 803nong11hao1602A-1609shi,baoshanqu, Shanghai 200.000 CN.



E-CrossStu GmbH.  
Mainzer Landstr.69,60329 Fráncfort del Meno.

# Vevor Q

COMPRESOR DE AIRE SIN ACEITE  
MANUAL DEL USUARIO

# VEVOR

Correo electrónico: CustomerService@vevor.com

# AIRE SIN ACEITE VEVOR

## COMPRESOR

Manual de instrucciones



¿NECESITA AYUDA? ¡CONTÁCTENOS!

¿Tiene preguntas sobre el producto? ¿Necesita asistencia técnica? No dude en contactarnos:

Servicio de atención al cliente@vevor.com

Estas son las instrucciones originales, lea atentamente todas las instrucciones del manual antes de operar. VEVOR se reserva una interpretación clara de nuestro manual de usuario. La apariencia del producto debe estar sujeto al producto que recibió. Por favor, perdónenos por no informarle nuevamente si ¿Hay alguna actualización de tecnología o software en nuestro producto?

## INSTRUCCIONES DE SEGURIDAD IMPORTANTES

Este manual contiene instrucciones importantes para operar este producto. Para su seguridad y la de su hijo, Para la seguridad de los demás, asegúrese de leer este manual detenidamente antes de utilizar el producto. Gracias. Gracias por elegir el compresor de aire sin aceite VEVOR. Comuníquese con nosotros si tiene alguna pregunta. preguntas

- La máquina debe almacenarse en una habitación seca y ventilada, y evitar estrictamente el contacto con objetos extraños. ¡Sustancias perecederas, inflamables y químicas! El período de almacenamiento no debe exceder los dos años a partir de la fecha de salida de fábrica, si excede el período de almacenamiento. Verificar y mantener ¡Antes de usar, o haga una prueba si es necesario!
- Está estrictamente prohibido que la máquina choque, se debe colocar de manera firme al usarla y debe ¡Evita que se vuelque o se vuelque durante el transporte para evitar un mal funcionamiento!
- Trate de evitar usarlo en un entorno donde la temperatura sea demasiado alta, el aire esté sucio, polvoriento, con combustible aceitoso y contaminación por gases de escape. El uso en estos entornos puede causar daños al máquina.
- Antes de conectar a la fuente de alimentación de trabajo, asegúrese de que la máquina esté apagada y que el voltaje de la fuente de alimentación no sea inferior ni superior al 10 % del voltaje de trabajo nominal. ¡voltaje de la máquina!
- ¡No toque el área de alta temperatura de la máquina mientras esté funcionando! Por ejemplo, la culata, la válvula de retención y otros componentes. Si se requiere mantenimiento, apague la máquina, desconecte la fuente de alimentación y espere a que la máquina se enfríe. ¡Abajo para evitar quemaduras!
- La máquina tiene requisitos estrictos para el cable de alimentación. Consulte las especificaciones. Consulte la hoja de datos de este manual para obtener más detalles. El cable de alimentación no debe ser demasiado largo para evitar un uso excesivo. caída de voltaje y afectar el rendimiento de la máquina. •La temperatura ambiente recomendada debe ser de 0 a 37 . Demasiado baja o demasiado alta La temperatura puede afectar el rendimiento de la máquina. •Antes de usar, confirme si la válvula de seguridad es efectiva, levante la válvula de seguridad para verificar si puede ventilar fácilmente. Después de verificar, presione la válvula de seguridad para asegurarse de que se haya liberado. reiniciar.
- Durante el uso, evite que la salida de aire de la máquina y el equipo conectado a la salida de aire directamente frente al operador u otro personal para evitar posibles peligros y lesiones potenciales al cuerpo humano

### Ventajas de VEVOR:

Diseñado por un equipo italiano, con un estilo industrial elegante y moderno. apariencia;heredando los altos estándares y la alta calidad de la Marca VEVOR durante 25 años; empresa nacional de alta tecnología de China, Centrándose en la innovación y la I+D en el campo neumático.

## INTRODUCCIÓN

En comparación con el compresor de aire tradicional con transmisión por correa o transmisión directa, nuestro compresor de aire sin aceite (en adelante denominado compresor de aire) no requieren aceite lubricante y pueden proporcionar una

Fuente de aire relativamente limpia y con poco ruido, especialmente adecuada para odontología, cría, medicina, fitness, belleza, industria química, experimentos científicos y otros sectores de alta demanda.

campos. Al mismo tiempo, también se puede utilizar ampliamente en mejoras tradicionales del hogar, automóviles.

Reparación, fábricas y otros campos, como suministro de aire para herramientas neumáticas, como pistolas pulverizadoras, clavadora, etc., suministro de aire para frenos de vehículos, suministro de aire para equipos de herramientas, etc.

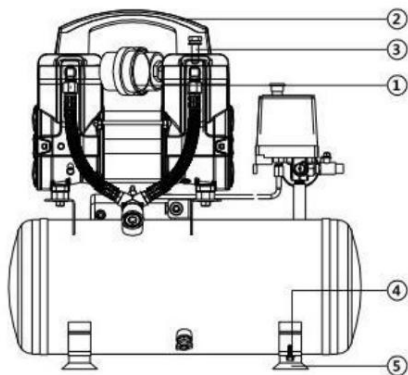
Comparación con transmisión por correa tradicional o transmisión directa

### Compresores de aire:

Elementos	Compresor de aire sin aceite	Transmisión directa o transmisión por correa
Lubricación	No, sin Costo de mantenimiento	Sí, más alto Costo de mantenimiento
Filtro de aceite/agua	No hay necesidad	Necesidad
Limpieza del aire	Más alto	Más bajo
Motor	Mayor eficiencia	Menor eficiencia
Consumo de energía	Más bajo	Más alto
Ruido	Suave, bajo, alrededor de 75 db.	Duro, alto, alrededor de 90 db
trabajando continuamente	Menos restrictivo	Más restrictivo
Porcentaje de averías	Más bajo	Más alto
Trabajo a baja temperatura	Aplicable	No aplicable riesgo de emulsificación

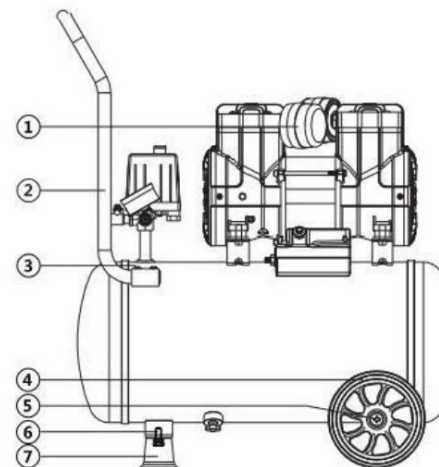
Nota: Los datos anteriores provienen del laboratorio del fabricante.

## CONTENIDO DEL PAQUETE Y MONTAJE



### Máquina tipo manija

No.	Regiones	Cantidad
1	Filtro de aire	2
2	Manejar	1
3	Tornillo	2
4	Tornillo	4
5	Pie de cojín 4	



Tipo de varilla de tracción

No.	Regiones	Cantidad
1	filtro de aire	2
2	Varilla de tracción	1
3	Tornillo	4
4	Rueda	2
5	Eje	2
6	Tornillo	1
7	Pie de cojín	1

## ASAMBLEA

### 1. Rueda (Imagen A)

Pase los tornillos a través de las ruedas y los orificios del soporte inferior del fuselaje uno por uno.

Apriete la contratuerca.

### 2. Pie de cojin (imagen B)

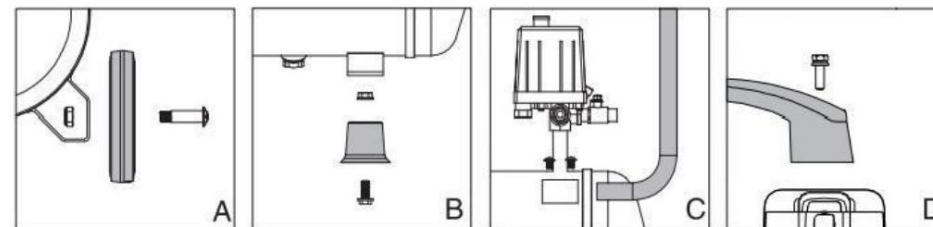
Atornille el pie del cojín en el orificio del tornillo de la máquina y apriete la tuerca para fijarlo.

### 3. Varilla de tracción (imagen C)

Deslice la varilla de tracción hasta el soporte y apriete la tuerca para fijarla.

### 4. manejar (Imagen D)

Fije el mango a la tapa del pistón con una tuerca.



## OPERACIÓN

### 1. Válvula de seguridad (Imagen)

E): La válvula de seguridad se utiliza principalmente para mantener estable la presión del aire. Cuando la presión del aire excede 10 bar (15 bar para modelos de alta presión), liberará automáticamente la presión para proteger la seguridad de los usuarios. ¡Advertencia! La válvula de seguridad no se puede utilizar para desinflar. Extracción frecuente de la válvula de seguridad puede dañar fácilmente la válvula de seguridad.

### 2. Manómetro (Imagen E): El compresor

de aire se controla automáticamente mediante un interruptor de presión durante el funcionamiento normal.

Cuando la presión alcanza el valor máximo, se detendrá automáticamente y cuando la

La presión cae a la presión inicial, se iniciará automáticamente. La presión de trabajo del

El interruptor de presión de aire se ha ajustado antes de salir de fábrica y no se puede cambiar a voluntad durante el uso. La presión se muestra mediante el manómetro .

### 3. Conexión de alimentación:

Conecte el enchufe y encienda la alimentación (la alimentación debe estar conectada a tierra). Nota: El compresor de aire No debe colocarse demasiado lejos de la fuente de alimentación (menos de 10 metros), para no reducir el voltaje del motor.

### 4. Interruptor de presión (Imagen F)

Interruptor vertical: Levante el botón del interruptor para encender y presione el botón para apagar. Interruptor horizontal

Interruptor: Gire el interruptor a AUTO para encenderlo; gire el interruptor a OFF para apagarlo.

### 5. Salida de aire (Imagen E)

1. La válvula de bola se puede utilizar directamente.

2. Antes de usar el conector rápido asegúrese de que no haya presión en el tanque de aire.

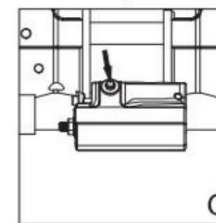
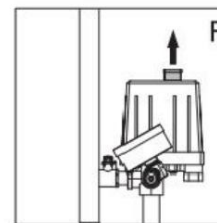
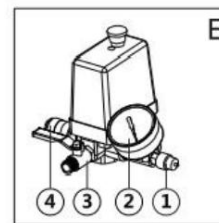
### 6. Movimiento

Antes de mover el compresor, asegúrese de que el interruptor esté apagado y el cable de alimentación enchufado.

Desconecte el compresor de aire de la toma de corriente. Sujete el mango, levante el compresor de aire y muévelo.

a la posición deseada, baje el mango y asegúrese de que el compresor de aire esté sobre una superficie plana.

Nota: Asegúrese de que sus pies estén firmes y busque ayuda si es necesario.



### 7. Protección contra sobrecarga (imagen G)

Este producto está equipado con un dispositivo de protección contra sobrecarga. Cuando el voltaje de trabajo es demasiado alto, bajo o demasiado alto, o el entorno de trabajo es con una temperatura ambiente alta, el motor está sobrecalentado, la máquina cortará automáticamente el suministro de energía para proteger el motor. Después que, el usuario debe apagar el interruptor de encendido primero, esperar de 3 a 10 minutos y luego presionar el Botón de reinicio rojo (dependiendo de la condición de enfriamiento), luego enciéndalo, la máquina se puede usar Normalmente, si se reinicia el botón, aún no funciona normalmente. Espere 30 minutos o más y Luego, arranque el motor cuando se haya enfriado completamente.

## MANTENIMIENTO

Antes de realizar cualquier trabajo de mantenimiento o reparación, debe cortar el suministro eléctrico y asegurarse de que El tanque de aire no tiene presión, de lo contrario es muy fácil causar lesiones.

1. Limpie y mantenga la máquina periódicamente.

2. Si el cable de alimentación está dañado, para evitar peligros, debe ser reemplazado por el departamento de mantenimiento del fabricante o persona calificada.

3. Abra la válvula de drenaje para drenar el agua diariamente o después de cada uso. Al drenar, la presión en el tanque de aire debe ser inferior a 1 bar.

4. Verifique si la válvula de seguridad es sensible cada semana, extraiga la válvula de seguridad para verificar si se puede agotar fácilmente y se puede restablecer inmediatamente después de presionarla.

5. Se recomienda quitar el elemento filtrante del filtro de aire y limpiarlo con aire limpio a alta presión cada 200 horas de uso, y reemplazar el elemento filtrante del filtro de aire cada 500 horas.

de uso y reemplace el cilindro y el anillo del pistón cada 2000 horas de uso. Los detalles se pueden ajustado según el uso real.

6. El tanque de aire deberá someterse a una prueba de presión cada dos años, y las superficies internas y externas deberán inspeccionarse una vez al año. Cuando haya óxido severo, hematomas severos o no pase la prueba de presión, deberá reemplazarse el tanque de aire.

7. En caso de vibración severa de la máquina, preste atención a si es necesario reemplazar la almohadilla de amortiguación.

### Precauciones para el mantenimiento:

(1) Antes de desmontar la máquina, corte el suministro de energía, espere a que la máquina se enfríe y asegúrese de que el tanque de aire esté libre de presión.

(2) Durante el proceso de mantenimiento, los sujetadores deben apretarse y, si se encuentra algún daño, deben reemplazarse por otros nuevos.

(3) Una vez finalizado el mantenimiento, después de la reinstalación, se debe girar el ventilador para verificar anomalías

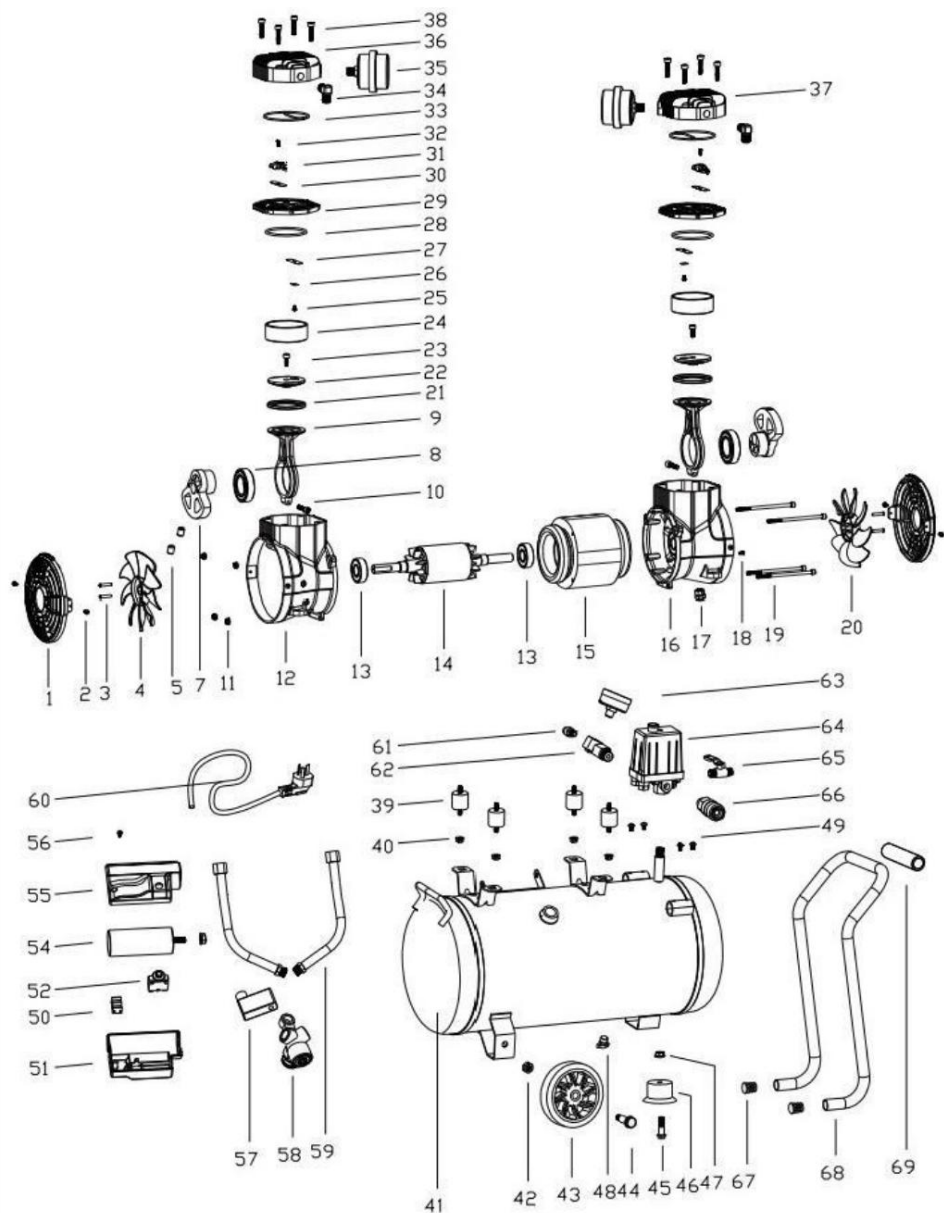
(Nota: El ventilador izquierdo y derecho soplan hacia adentro cuando el motor gira).

## SOLUCIÓN DE PROBLEMAS

Advertencia: Antes de cualquier trabajo de mantenimiento o reparación, debe cortar el suministro de energía y asegurarse de que el tanque de aire esté libre de presión, de lo contrario es muy fácil causar lesiones.

Problema	Posible causa	Solución
El motor no arranca y sin ningún ruido	Sin fuente de alimentación	Compruebe el enchufe y la fuente de alimentación.
	El presostato está apagado	Encienda el interruptor de presión
	Bajo protección de sobrecarga	Presione el botón rojo de reinicio para comenzar después de que la máquina se haya enfriado.
	Presostato defectuoso	Reemplace el interruptor de presión
	Estator defectuoso	Reemplazar el estator
El motor hace bobinado del motor zumbido	Suministro de bajo voltaje	Coloque el compresor de aire en un lugar bien ventilado.
	Cortocircuito o circuito abierto no arranca o el motor arranca lentamente, con un zumbido	Contacte con Auarita o distribuidor
	Válvula de retención o presión Interruptor defectuoso	Contacte con Auarita o distribuidor
El protector de sobrecarga corta la energía repetidamente	Suministro de bajo voltaje	Verifique el voltaje de entrada, no puede ser un 10% menor que el voltaje nominal
	Mala ventilación, temperatura demasiado alta	Verifique el voltaje de entrada, no puede ser un 10% mayor que el voltaje nominal
	Instalación incorrecta del ventilador	Compruebe el ventilador e instélelo en la dirección correcta.
Caídas de presión en el tanque	Fugas de aire en las conexiones	Verifique cada conexión, apriete la conexión con fugas
	La válvula de drenaje está abierta o suelta	Apriete la válvula de drenaje
	Fugas de aire en la válvula de retención	Retirar y limpiar, si aún así no funciona, Reemplace la válvula de retención
Los gases de escape tienen una alta humedad.	Mucha agua en el tanque	Drene el agua del tanque
	El entorno de trabajo con humedad demasiado alta	Mueva el compresor de aire a un lugar con baja humedad o utilice un separador de aceite y agua.
El motor no se detiene	Presostato defectuoso	Reemplace el interruptor de presión
	Fuga de aire, no se puede alcanzar la presión máxima.	Compruebe y apriete la conexión con fugas
Máquina con Alta vibración	Sujetadores sueltos	Comprobar y apretar
	Las partes internas del compresor de aire están envejecidas o dañadas.	Reemplazar el pie o la almohadilla amortiguadora
	Almohadilla amortiguadora o pie amortiguador dañado	Reemplazar piezas viejas o dañadas
No se puede alcanzar el máximo rendimiento presión	La válvula de drenaje está abierta o suelta	Apriete la válvula de drenaje
	Filtro de aire bloqueado	Limpie o reemplace el elemento filtrante
	Fuga de aire	Comprobar y apretar
	Mal funcionamiento de la válvula o presencia de cuerpos extraños o fuga de aire	Limpiar o reemplazar
	Desgaste excesivo de los anillos del pistón	Reemplace el anillo del pistón

## LISTA DE PIEZAS Y DESPIECE DESCRIPTIVO



No. de piezas	Cantidad	Nro. de Piezas	ty
1 Tapa del ventilador	2	36 Tapa del cilindro izquierdo	2
2 tornillos	4	37 Tapa del cilindro derecho	1
3 tornillos	2	38 Tornillo	1
4 Ventilador izquierdo	1	39 Almohadilla de choque	8
5 Tornillo de fijación	2	40 Tornillo	4
6 Tornillo de fijación	2	41 Tanque de aire	4
7 manivela	2	42 tuercas	1
8 Cojinete	2	43 Rueda	2
9 Biela	2	Eje 44	2
10 Tornillo	2	45 pernos	1
11 nueces	4	46 Pie de cojín	1
12 Carter del cigüeñal	1	47 Tuerca	1
13 Cojinete	2	48 Válvula de drenaje	1
14 rotores	1	49 Tuerca de seguridad para manija	4
15 Estator		50 Bloque de terminales	1
16 Carter del cigüeñal		51 Tapa inferior del condensador 1	
17 Casquillo de alivio de tensión	1	52 Protección contra sobrecarga	1
18 Tornillo de tierra	1	53 Tuerca para caja de condensador	1
19 Tornillo	4	54 condensador	1
20 Ventilador derecho	1	55 Tapa superior para condensador 1	
21 Anillo de pistón	2	56 Tornillo	1
22 Placa de presión	2	57 Válvula solenoide	1
23 Tornillo	2	58 Válvula de retención	1
24 cilindros	2	59 Tubería de alta presión	2
25 Tornillo	2	60 Cable de alimentación y enchufe	1
26 Chapa reforzada de metal	2	61 Válvula de seguridad	1
27 Válvula de aire	2	Conector 62	1
28 Anillo obturador del cilindro 2		63 Manómetro	1
29 Placa de válvula	2	64 Interruptor de presión	1
30 En válvula	2	65 Válvula de bola	1
31 Bloque limitado	2	66 Conector rápido	1
32 Tornillo	2	67 Tapa del extremo	2
33 Anillo obturador	2	68 Manejar	1
34 Codo	2	69 Manga de espuma	1
35 Filtro de aire	2		

## SPECYFIKACJE PRODUKTU

Obszar sprzedaży	Przeciwno	Woltaż Częstotliwość	Przepływ powietrza	ciśnienie	Moc	Zbiornik	Hałas	Moc sznur	Silnik
			l/min	mmHg	kW	L	mm <sup>2</sup>	Prędkość obr./min	
Bez oleju szereg	Stany Zjednoczone Kanada	2-900F8	65	8	0,9	8	75	1,5	3400
		2-900F18	65	8	0,9	18	75	1,5	3400
		2-1450F24	95	8	1,45	24	75	2,5	3400
	Ten europejski Unia	2-900F8	65	8	0,9	8	72	0,75	2800
		2-900F18	65	8	0,9	18	72	0,75	2800
		2-1450F24	95	8	1,45	24	72	1	2800
		2-1800F35	140	8	1.8	35	76	1,5	2800

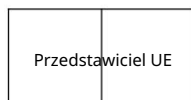
Dysponować:

Niniejszy produkt podlega postanowieniom dyrektywy europejskiej 2012/19/WE. Symbol przedstawiający przekreślony kosz na śmieci na kółkach oznacza, że produkt wymaga oddzielnej zbiórki odpadów Unii Europejskiej. Dotyczy produktu i wszystkich akcesoriów oznaczone tym symbolem. Produkty oznaczone w ten sposób nie mogą być wyrzucać razem ze zwykłymi odpadami domowymi, ale należy je zabrać do punktu zbiórki sprzętu elektrycznego i elektronicznego przeznaczonego do recyklingu.

**FC** To urządzenie jest zgodne z częścią 15 przepisów FCC.  
**C** Eksploatacja podlega następującym dwóm warunkom:

- Urządzenie to nie może powodować szkodliwych zakłóceń
- Urządzenie to musi akceptować wszelkie odbierane zakłócenia, w tym: zakłócenia mogące powodować niepożądane działanie.

Adres: Shuangchenglu 803nong11hao1602A-1609shi, baoshanqu,  
Szanghaj 200000 CN.



E-CrossStu GmbH.  
Mainzer Landstr.69,60329 Frankfurt nad Menem.

# Vevor Q

SPRĘŻARKA POWIETRZA BEZOLEJOWA  
INSTRUKCJA OBSŁUGI

# VEVOR

Adres e-mail: CustomerService@vevor.com

# VEVOR OLEJ-BEZPOWIETRZNY

## KOMPRESOR

Instrukcja obsługi



POTRZEBUJESZ POMOCY?SKONTAKTUJ SIĘ Z NAMI!

Masz pytania dotyczące produktu?Potrzebujesz wsparcia technicznego?Skontaktuj się z nami:

Obsługa Klienta@vevor.com

To jest oryginalna instrukcja, przed użyciem należy uważnie przeczytać wszystkie instrukcje. VEVOR zastrzega sobie prawo do jednoznacznej interpretacji naszej instrukcji obsługi. Wygląd produktu powinien być zależny od produktu, który otrzymałeś. Przepraszamy, że nie poinformujemy Cię ponownie, jeśli czy w naszym produkcie są jakieś aktualizacje technologii lub oprogramowania

### WAŻNE INSTRUKCJE BEZPIECZEŃSTWA

Niniejsza instrukcja zawiera ważne instrukcje dotyczące obsługi tego produktu. Dla Twojego bezpieczeństwa i bezpieczeństwa innych, przed rozpoczęciem korzystania z produktu należy dokładnie przeczytać tę instrukcję. Dziękujemy, dziękujemy za wybór bezolejowego kompresora powietrza VEVOR. Prosimy o kontakt w przypadku jakichkolwiek pytań

•Maszynę należy przechowywać w suchym i wentylowanym pomieszczeniu, a także unikać jej zbliżenia się do nietrwałych, łatwopalnych i chemicznych! Okres przechowywania nie powinien przekroczyć dwóch lat od daty opuszczenia fabryki, jeśli przekroczy okres przechowywania.Sprawdź i konserwuj

Przed użyciem należy sprawdzić poprawność działania lub w razie potrzeby wykonać test!

•Maszyna jest surowo zabroniona do kolizji, należy ją ustawić stabilnie podczas użytkowania i zabezpieczyć przed przewróceniem i odwróceniem podczas transportu, aby zapobiec awarii!

•Staraj się unikać użytkowania urządzenia w środowisku, w którym temperatura jest zbyt wysoka, powietrze jest brudne, zakurzone, zanieczyszczone olejem i spalinami. Używanie urządzenia w takich warunkach może spowodować jego uszkodzenie. maszyna.

•Przed podłączeniem do działającego źródła zasilania upewnij się, że maszyna jest wyładowana, a napięcie zasilania nie jest niższe ani wyższe niż 10% znamionowego napięcia roboczego. napięcie maszyny!

•Nie dotykaj obszaru maszyny o wysokiej temperaturze, gdy jest ona wyładowana! Na przykład głowica cylindra, zawór zwrotny i inne elementy. Jeśli wymagana jest konserwacja, wyłącz maszynę, odłącz zasilanie i poczekaj, aż maszyna ostygnie w dół, aby zapobiec poparzeniom!

•Maszyna ma ściśle wymagania dotyczące kabla zasilającego. Zapoznaj się ze specyfikacją. Więcej szczegółów znajdziesz na stronie niniejszej instrukcji. Przewód zasilający nie powinien być zbyt długi, aby zapobiec nadmiernemu spadkowi napięcia i wpłynąć na wydajność maszyny. •Zalecana temperatura otoczenia powinna wynosić 0-37°C. Zbyt niska lub zbyt wysoka temperatura może mieć wpływ na wydajność maszyny. •Przed użyciem sprawdź, czy zawór bezpieczeństwa jest skuteczny, pociągnij za zawór bezpieczeństwa, aby sprawdzić, czy może on łatwo odpowietrzyć. Po sprawdzeniu naciśnij zawór bezpieczeństwa, aby upewnić się, że został on nastawiony.

•Podczas użytkowania należy unikać kontaktu wylotu powietrza z urządzeniem i podłączonym do niego sprzętem. skierowane bezpośrednio w stronę operatora lub innego personelu, aby zapobiec potencjalnym zagrożeniom i obrażeniom do ciała ludzkiego

### Zalety VEVOR:

Zaprojektowany przez włoski zespół, w eleganckim i nowoczesnym stylu industrialnym wygląd; Dziedziczenie wysokich standardów i wysokiej jakości Marka VEVOR od 25 lat; chińskie narodowe przedsiębiorstwo high-tech, skupiająca się na innowacjach oraz pracach badawczo-rozwojowych w dziedzinie pneumatyki.



## WSTĘP

W porównaniu z tradycyjnym kompresorem powietrza z napędem pasowym lub bezpośrednim, nasz kompresor powietrza bezolejowy (zwane dalej sprężarkami powietrza) nie wymagają oleju smarującego i mogą zapewnić stosunkowo czyste źródło powietrza o niskim poziomie hałasu, które jest szczególnie przydatne w stomatologii, hodowli, medycynie, fitness, kosmetyce, przemyśle chemicznym, eksperymentach naukowych i innych miejscach o dużym zapotrzebowaniu pola. Jednocześnie może być szeroko stosowany w tradycyjnym ulepszaniu domu, samochodach, naprawie, fabryki i inne obszary, takie jak dostarczanie powietrza do narzędzi pneumatycznych, np. pistoletów natryskowych, sprężonego powietrza gwoździarki itp., dopływ powietrza do hamulców pojazdów, dopływ powietrza do narzędzi itp.

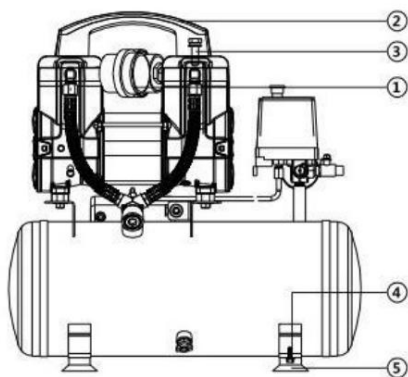
Porównanie z tradycyjnym napędem pasowym lub napędem bezpośrednim

sprężarki powietrza:

Rzeczy	Kompresor powietrza bezolejowy	Napęd bezpośredni lub pasowy
Smarowanie	Nie, bez Koszt utrzymania	Tak, wyższy Koszt utrzymania
Filtr oleju/wody	Nie ma potrzeby	Potrzebować
Czystość powietrza	Wyższa	Niżej
Silnik	Wyższa wydajność	Niższa wydajność
Zużycie energii	Niżej	Wyższa
Hałas	Cichy, niski, około 75db	Surowy, wysoki, około 90 dB
nieprzerwanie pracuje	Mniej restrykcyjne	Bardziej restrykcyjne
Współczynnik awaryjności	Niżej	Wyższy
Praca w niskiej temperaturze	Odpowiedni	Nie dotyczy ryzyko emulgowania

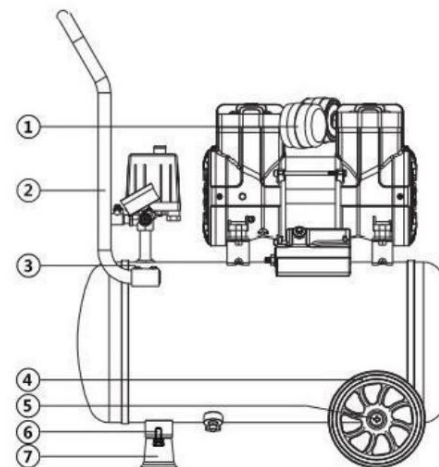
Uwaga: Powyższe dane pochodzą z laboratorium producenta

## ZAWARTOŚĆ OPAKOWANIA I MONTAŻ



Maszyna z uchwytem

NIE.	Strony	Ilość
1	Filtr powietrza	2
2	Uchwyt	1
3	Śruba	2
4	Śruba	4
5	Poduszka stopki 4	



Typ drążka pociągowego

NIE.	Strony	Ilość
1	Filtr powietrza	2
2	Pręt pociągowy	1
3	Śruba	4
4	Koło	2
5	Oś	2
6	Śruba	1
7	Stopka amortyzująca	1

## MONTAŻ

1. Koło (rys.A)

Przełóż śruby przez koła i otwory w dolnym wsporniku kadłuba, dokręć nakrętkę zabezpieczającą.

2. Stopka poduszka (rys.B)

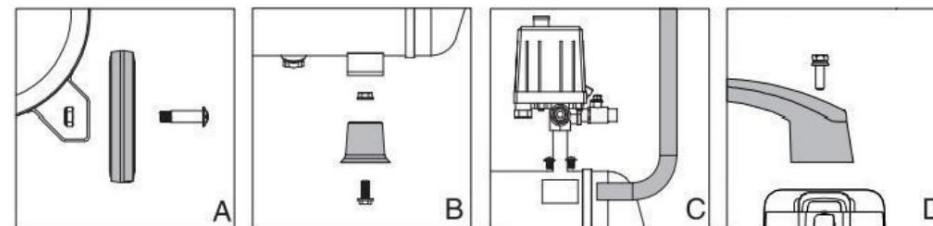
Wkręć stopkę amortyzującą w otwór w maszynie i dokręć nakrętkę, aby ją zamocować.

3. Drążek pociągowy (rys. C)

Przesuń drążek pociągowy do uchwytu i dokręć nakrętkę, aby go zamocować

4. uchwyt (rys. D)

Przymocuj uchwyt do pokrywy tyłka za pomocą nakrętki.



## DZIAŁANIE

### 1. Zawór bezpieczeństwa (rys.

E): Zawór bezpieczeństwa jest używany głównie do utrzymywania stabilnego ciśnienia powietrza. Gdy ciśnienie powietrza przekroczy 10 barów (15 barów dla modeli wysokociśnieniowych), automatycznie uwalnia ciśnienie w celu ochrony bezpieczeństwa użytkowników. Uwaga! Zawór bezpieczeństwa nie może być używany do spuszczenia powietrza. Częste wyciąganie zaworu bezpieczeństwa może łatwo uszkodzić zawór bezpieczeństwa.

### 2. Manometr (rys. E): Podczas normalnej

pracy sprężarka powietrza jest automatycznie sterowana za pomocą wyłącznika ciśnieniowego.

Gdy ciśnienie osiągnie maksymalną wartość, urządzenie zatrzyma się automatycznie, a gdy

ciśnienie spadnie do ciśnienia początkowego, urządzenie uruchomi się automatycznie. Ciśnienie robocze

Wyłącznik ciśnienia powietrza został wyregulowany przed opuszczeniem fabryki i nie można go zmieniać w trakcie użytkowania.

Ciśnienie jest wyświetlane na manometrze.

### 3. Podłączenie zasilania:

Podłącz wtyczkę i włóż zasilanie (zasilanie musi być uziemione). Uwaga: Kompresor powietrza nie należy umieszczać zbyt daleko od źródła zasilania (w odległości mniejszej niż 10 metrów), aby nie zmniejszyć napięcia silnika.

### 4. Wyłącznik ciśnieniowy (rys. F)

Przełącznik pionowy: Pociągnij przycisk przełącznika, aby włączyć, i naciśnij przycisk, aby wyłączyć. Poziomy

Przełącznik: Ustaw przełącznik w pozycji AUTO, aby włączyć; ustaw przełącznik w pozycji OFF, aby wyłączyć.

### 5. Wylot powietrza (Rys. E)

1. Zawór kulowy może być używany bezpośrednio.

2. Przed użyciem szybkozłazca upewnij się, że w zbiorniku powietrza nie ma ciśnienia.

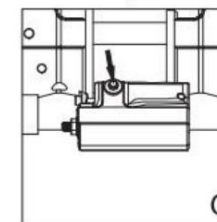
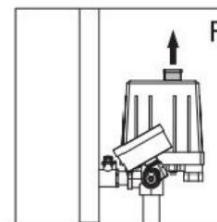
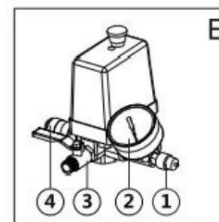
### 6. Ruch

Przed przeniesieniem sprężarki należy upewnić się, że wyłącznik jest wyłączony, a wtyczka przewodu zasilającego jest podłączona.

Odłącz od gniazdka. Chwyć uchwyt, podnieś sprężarkę powietrza, przesuń sprężarkę powietrza

do żądanej pozycji, opuść uchwyt i upewnij się, że sprężarka powietrza znajduje się na płaskim podłożu.

Uwaga: Upewnij się, że Twoje stopy stoją pewnie. W razie potrzeby poproś o pomoc.



### 7. Zabezpieczenie przed przeciążeniem (Rys. G)

Produkt ten jest wyposażony w urządzenie zabezpieczające przed przeciążeniem. Gdy napięcie robocze jest zbyt wysokie, niskie lub zbyt wysoka temperatura otoczenia lub środowisko pracy charakteryzuje się wysoką temperaturą, silnik jest przegrzany, maszyna automatycznie odetnie zasilanie, aby chronić silnik. Po

użyciu użytkownik musi najpierw wyłączyć zasilanie, odczekać 3–10 minut, a następnie nacisnąć przycisk

czerwony przycisk resetowania (w zależności od warunków chłodzenia), a następnie włączyć go, aby móc korzystać z urządzenia

normalnie, jeśli przycisk zostanie zresetowany, nadal nie będzie działał normalnie. Poczekaj 30 minut lub dłużej i

Następnie uruchom silnik dopiero po jego całkowitym ostygnięciu.

## KONSERWACJA

Przed przystąpieniem do jakichkolwiek prac konserwacyjnych lub naprawczych należy odłączyć zasilanie i upewnić się, że zbiornik powietrza jest wolny od ciśnienia, w przeciwnym razie bardzo łatwo o obrażenia!

1. Proszę regularnie czyścić i konserwować maszynę.

2. Jeśli przewód zasilający jest uszkodzony, w celu uniknięcia niebezpieczeństwa należy go wymienić dział utrzymywania ruchu producenta lub osoba wykwalifikowana.

3. Codziennie lub po każdym użyciu otwórz zawór spustowy, aby spuścić wodę. Podczas spuszczenia ciśnienie w zbiorniku powietrza powinno być mniejsze niż 1 bar.

4. Sprawdzaj co tydzień, czy zawór bezpieczeństwa jest czuły, wyciągnij zawór bezpieczeństwa, aby sprawdzić, czy można go łatwo opróżnić, czy można go zresetować natychmiast po jego naciśnięciu.

5. Zaleca się wyjąć element filtrujący filtra powietrza i wyczyszczenie go czystym powietrzem pod wysokim ciśnieniem co 200 godzin użytkowania, a także wymianę elementu filtrującego filtra powietrza co 500 godzin użytkowania i wymianę cylindra i pierścienia okowy co 2000 godzin użytkowania. Szczegółowe informacje można znaleźć w dostosowywanych do rzeczywistego wykorzystania.

6. Zbiornik powietrza należy poddawać próbie ciśnieniowej co dwa lata, a powierzchnie wewnętrzne i zewnętrzne należy sprawdzać raz w roku. W przypadku silnej korozji, poważnych uszkodzeń lub niepowodzenia próby ciśnieniowej zbiornik powietrza należy wymienić.

7. W przypadku wystąpienia silnych wibracji maszyny, należy sprawdzić, czy konieczna jest wymiana podkładki amortyzującej.

Środki ostrożności dotyczące konserwacji:

(1) Przed demontażem maszyny należy odłączyć zasilanie, odczekać, aż maszyna ostygnie i upewnić się, że zbiornik powietrza jest wolny od ciśnienia.

(2) Podczas konserwacji należy dokręcić elementy mocujące. W przypadku stwierdzenia uszkodzeń należy wymienić je na nowe.

(3) Po zakończeniu konserwacji i ponownym zainstalowaniu wentylatora należy obrócić, aby sprawdzić, czy anomalie

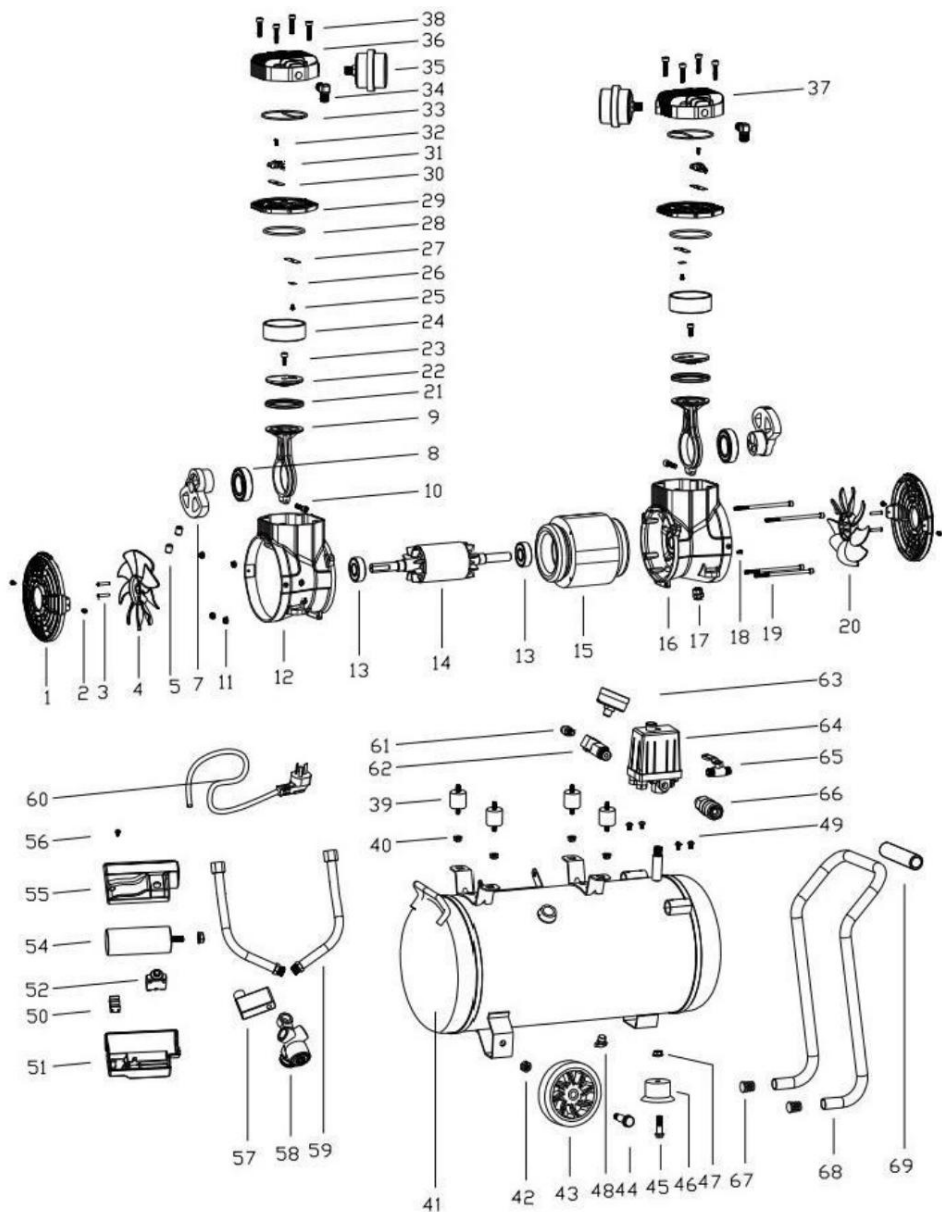
(Uwaga: Lewy i prawy wentylator dmuchają do wewnątrz, gdy silnik się obraca.)

## ROZWIĄZYWANIE PROBLEMÓW

Ostrzeżenie: Przed przystąpieniem do jakichkolwiek prac konserwacyjnych lub naprawczych należy odłączyć zasilanie i upewnić się, że zbiornik powietrza jest wolny od ciśnienia. W przeciwnym razie bardzo łatwo o obrażenia!

Problem	Możliwa przyczyna	Rozwiązanie
Silnik nie uruchamia się i nie wydaje z adnego dźwięku	Brak zasilania	Sprawdź wtyczkę i zasilanie
	Wyłącznik ciśnieniowy jest wyłączony	Włącz wyłącznik ciśnieniowy
	Zabezpieczenie przed przeciążeniem	Po ostygnięciu maszyny nacisnij czerwony przycisk resetowania, aby ją uruchomić.
	Wadliwy wyłącznik ciśnieniowy	Wymień wyłącznik ciśnieniowy
	Uszkodzony stojan	Wymień stojan
Silnik działa lub uzwojenie silnika dźwiękiem uruchamia się powoli, z brzęczym	Zasilanie niskiego napięcia	Umieść sprężarkę powietrza w miejscu o dobrej wentylacji.
	Zwarcie lub przerwa w obwodzie nie uruchamia się	Skontaktuj się z firmą Auarita lub sprzedawcą
	Zawór zwrotny lub ciśnienie Wadliwy przełącznik	Skontaktuj się z firmą Auarita lub sprzedawcą
Zabezpieczenie przeciążeń wielokrotnie odcina zasilanie	Zasilanie niskiego napięcia	Sprawdź napięcie wejściowe, nie może być niższe o 10% od napięcia znamionowego
	Słaba wentylacja, zbyt wysoka temperatura	Sprawdź napięcie wejściowe, nie może być wyższe o 10% od napięcia znamionowego
	Nieprawidłowa instalacja wentylatora	Sprawdź wentylator i zamontuj go we właściwym kierunku
Spadki ciśnienia w zbiorniku	Wycieki powietrza na połączeniach	Sprawdź każde połączenie, dokręć nieszczelne połączenie
	Zawór spustowy jest otwarty lub luźny	Dokręć zawór spustowy
	Wyciek powietrza przy zaworze zwrotnym	Wymień i wyczyść, jeśli nadal nie działa, Wymień zawór zwrotny
Spaliny mają wysoką wilgotność	Dużo wody w zbiorniku	Spuść wodę ze zbiornika
	Środowisko pracy o zbyt dużej wilgotności	Przenieś sprężarkę powietrza w miejsce o niskiej wilgotności lub zastosuj separator oleju i wody.
Silnik się nie zatrzymuje	Wadliwy wyłącznik ciśnieniowy	Wymień wyłącznik ciśnieniowy
	Wyciek powietrza, nie może osiągnąć maksymalnego ciśnienia	Sprawdź i dokręć nieszczelne połączenie
Maszyna z Wysokie wibracje	Luźne zapieczętowanie	Sprawdź i zacisnij
	Wewnętrzne części sprężarki powietrza są stare lub uszkodzone	Wymień stopę lub podkładkę amortyzującą
	Uszkodzona stopka poduszki lub podkładka amortyzująca	Wymień stare lub uszkodzone części
Nie może osiągnąć maksymalnej wydajności roboczej ciśnienie	Zawór spustowy jest otwarty lub luźny	Dokręć zawór spustowy
	Zablokowany filtr powietrza	Wyczyść lub wymień element filtrujący
	Wyciek powietrza	Sprawdź i dokręć
	Nieprawidłowe działanie zaworu lub nieszczelność w postaci ciał obcych lub powietrza	Wyczyść lub wymień
	Nadmierne zużycie pierścieni tłokowych	Wymień pierścienie tłokowe

## ROZŁOŻONY WIDOK I LISTA CZĘŚCI



Nie . Czę ści	Ilość	Nr Czę ści	ty
1 Osi ła wentylatora	2	36 Lewa pokrywa cylindra	2
2 Śruby	4	37 Pokrywa cylindra prawego	1
3 Śruba	2	38 Śruba	1
4 Wentylator lewy	1	39 Podkładka amortyzująca	8
5 Śruba ustalająca	2	40 Śruba	4
6 Śruba ustalająca	2	41 Zbiornik powietrza	4
7 Korba	2	42 nakrętka	1
8 Łożysko	2	43 Koło	2
9 Korbowód	2	44 oś	2
10 Śrub	2	45 Śruba	1
11 Orzech	4	46 Stopka poduszkowa	1
12 Skrzynia korbowa	1	47 Orzech	1
13 Łożysko	2	48 Zawór spustowy	1
14 Wirnik	1	49 Nakrętka zabezpieczająca do uchwytu	4
15 Stożan		50 Blok zaciskowy	1
16 Skrzynia korbowa		51 Dolna pokrywa kondensatora 1	
17 Tuleja odciążająca	1	52 Zabezpieczenie przed przeciążeniem	1
18 Śruba uziemiająca	1	53 Nakrętka do obudowy kondensatora	1
19 Śruba	4	54 Kondensator	1
20 Prawy wentylator	1	55 Górna pokrywa kondensatora 1	
21 Pierścień tłokowy	2	56 Śruba	1
22 Płytka dociskowa	2	57 Zawór elektromagnetyczny	1
23 Śruba	2	58 Zawór zwrotny	1
24 cylindry	2	59 Rura wysokiego ciśnienia	2
25 Śruba	2	60 Przewód zasilający i wtyczka	1
26 Blacha wzmacniająca metal	2	61 Zawór bezpieczeństwa	1
27 Zawór powietrza	2	62 Złącze	1
28 Pierścień uszczelniający cylindra 2		63 Manometr	1
29 Płytka zaworowa	2	64 Wyłącznik ciśnieniowy	1
30 Na fali	2	65 Zawór kulowy	1
31 Blok ograniczony	2	66 Szybkozłącze	1
32 Śruba	2	67 Zaślepka końcowa	2
33 Pierścień uszczelniający	2	68 Uchwyt	1
34 Łokieć	2	69 Rękaw piankowy	1
35 Filtr powietrza	2		

## PRODUCTSPECIFICATIES

Serie	Verkoopruimte	Tegen	Spanning Frequentie	Luchtstroom	Maximaal	Stroom	Tank	Ruis	Stroom koord	Motor Snelheid	
				@8bar	druk		volume				Ik
				L/min	Bar	kW	lk				
Olievrij serie	Verenigde Staten Canada	2-900F8	120V~ 60Hz	65	8	0,9	8	75	1,5	3400	
		2-900F18		65	8	0,9	18	75	1,5	3400	
		2-1450F24		95	8	1,45	24	75	2,5	3400	
	De Europese Unie	2-900F8	220-240V~ 50Hz	65	8	0,9	8	72	0,75	2800	
		2-900F18		65	8	0,9	18	72	0,75	2800	
		2-1450F24		95	8	1,45	24	72		1	2800
		2-1800F35		140	8	1,8	35	76	1,5	2800	

### Afvoeren:

Dit product is onderworpen aan de bepalingen van de Europese richtlijn 2012/19/EG. Het symbool met een doorgestreepte afvalbak geeft aan dat het product gescheiden afvalinzameling vereist in de Europese Unie. Dit geldt voor het product en alle accessoires gemarkeerd met dit symbool. Producten die als zodanig zijn gemarkeerd, mogen niet worden weggegooid met het normale huishoudelijke afval, maar moet naar het afvalverwerkingsbedrijf worden gebracht. een inzamelpunt voor het recyclen van elektrische en elektronische apparaten.

### FC

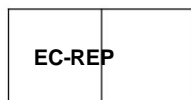
Dit apparaat voldoet aan Deel 15 van de FCC-regels.

### C

De exploitatie is onderworpen aan de volgende twee voorwaarden:

1. Dit apparaat mag geen schadelijke interferentie veroorzaken;
2. Dit apparaat moet alle ontvangen interferentie accepteren, inclusief storingen die een ongewenste werking kunnen veroorzaken.

Adres: Shuangchenglu 803nong11hao1602A-1609shi, baoshanqu,  
Sjanghai 200000 CN.



E-CrossStu GmbH.  
Mainzer Landstr.69,60329 Frankfurt am Main.

# Vevor Q

## OLIEVRIJE LUCHTCOMPRESSOR

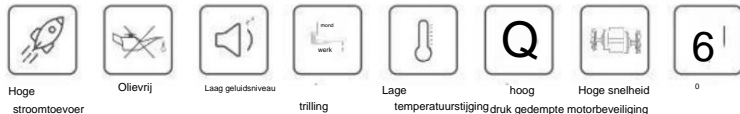
GEBRUIKERSHANDLEIDING

# VEVOR

E-mailadres: [Klantenservice@vevor.com](mailto:Klantenservice@vevor.com)

# VEVOR OLIEVRIJE LUCHT COMPRESSOR

Gebruiksaanwijzing



HULP NODIG? NEEM CONTACT MET ONS OP!

Heeft u vragen over het product? Heeft u technische ondersteuning nodig? Neem dan gerust contact met ons op:

Klantenservice@vevor.com

Dit zijn de originele instructies. Lees de volledige handleiding zorgvuldig door voordat u het product gebruikt. VEVOR behoudt zich het recht voor om onze gebruikershandleiding op een duidelijke manier te interpreteren. Het uiterlijk van het product moet onderworpen zijn aan het product dat u hebt ontvangen. Vergeef ons dat we u niet opnieuw zullen informeren als er zijn technologie- of software-updates voor ons product

## BELANGRIJKE VEILIGHEIDSINSTRUCTIES

Deze handleiding bevat belangrijke instructies voor het bedienen van dit product. Voor uw veiligheid en de Om de veiligheid van anderen te waarborgen, moet u deze handleiding grondig doorlezen voordat u het product gebruikt. Bedankt voor het kiezen van de VEVOR olievrije luchtcompressor. Neem contact met ons op als u vragen heeft. vragen

- De machine moet worden opgeslagen in een droge en geventileerde ruimte, en vermijd ten strengste om dicht bij bederfelijke, ontvlambare en chemische stoffen! De bewaartermijn mag niet langer zijn dan twee jaar vanaf de datum waarop het de fabriek heeft verlaten, indien de opslagperiode wordt overschreden. Controleer en onderhoud voor gebruik, of test indien nodig!
- Het is ten strengste verboden om de machine te laten botsen, deze moet stabiel worden geplaatst tijdens het gebruik en moet voorkomen dat de machine tijdens het transport scheef gaat hangen of ondersteboven wordt gezet om storingen te voorkomen!
- Probeer het apparaat niet te gebruiken in een omgeving waar de temperatuur te hoog is, de lucht vuil, stoffig, olieachtig en vervuild is door uitlaatgassen. Gebruik in een dergelijke omgeving kan schade aan het apparaat veroorzaken. machine.
- Voordat u het apparaat aansluit op de werkende voeding, moet u ervoor zorgen dat de machine is uitgeschakeld en dat de voedingsspanning niet lager of hoger is dan 10% van de nominale werkspanning. spanning van de machine!
- Raak het hete gedeelte van de machine niet aan terwijl de machine aan staat! bijvoorbeeld de cilinderkop, het terugslagventiel en andere componenten. Als er onderhoud nodig is, schakel dan de machine uit, koppel de stroomtoevoer los en wacht tot de machine is afgekoeld. naar beneden om brandwonden te voorkomen!
- De machine stelt strenge eisen aan de stroomkabel. Raadpleeg de specificatie Zie het blad van deze handleiding voor meer informatie. De stroomkabel mag niet te lang zijn om overmatige spanningsval en beïnvloeden de prestaties van de machine. •De aanbevolen omgevingstemperatuur moet 0-37°C zijn. Te laag of te hoog temperatuur kan de prestaties van de machine beïnvloeden. • Controleer voor gebruik of het veiligheidsventiel effectief is. Trek het veiligheidsventiel omhoog om te controleren of het gemakkelijk kan worden ontlucht. Druk na controle op het veiligheidsventiel om er zeker van te zijn dat het goed is

optionele installatie.

- Vermijd tijdens gebruik de luchtuitlaat van de machine en de apparatuur die op de luchtuitlaat is aangesloten. direct gericht op de operator of ander personeel om mogelijke gevaren en verwondingen te voorkomen aan het menselijk lichaam

Voordelen van VEVOR:

Ontworpen door een Italiaans team, met een elegante en moderne industriële stijl uiterlijk; Het erven van de hoge normen en hoge kwaliteit van de VEVOR-merk al 25 jaar; China's nationale hightechonderneming, met de focus op innovatie en R&D op het gebied van pneumatiek.

## INVOERING

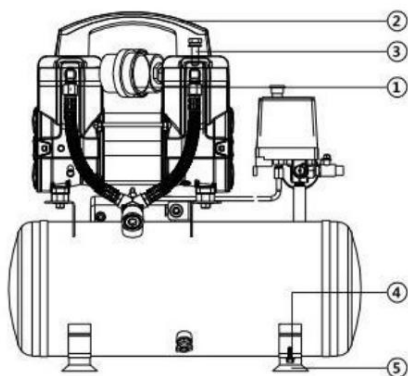
Vergeleken met de traditionele riem- of direct aangedreven luchtcompressor, is onze olievrije luchtcompressor (hierna te noemen luchtcompressor) hebben geen smeerolie nodig en kunnen een relatief schone luchtbron met weinig geluid, die vooral geschikt is voor tandheelkunde, fokkerij, geneeskunde, fitness, schoonheid, chemische industrie, wetenschappelijke experimenten en andere toepassingen met een hoge vraag velden. Tegelijkertijd kan het ook op grote schaal worden gebruikt in traditionele woningverbetering, auto reparatie, fabrieken en andere gebieden, zoals luchttoevoer voor pneumatisch gereedschap, zoals spuitpistolen, lucht spijkmachine etc., luchttoevoer voor voertuigremmen, luchttoevoer voor gereedschapsapparatuur, etc.

### Vergelijking met traditionele riemaandrijving of directe aandrijving luchtcompressoren:

Artikelen	Olievrije luchtcompressor	Directe aandrijving of riemaandrijving
Smering	Nee, zonder onderhoudskosten	Ja, hoger onderhoudskosten
Olie/waterfilter	Geen behoefte	Behoeft
Zuiverheid van de lucht	Hoger	Lager
Motor	Hogere efficiëntie	Lagere efficiëntie
Energieverbruik	Lager	Hoger
Lawaai	Zacht, laag, rond de 75db	Hard, hoog, rond de 90db
continu werkend	Minder beperkend	Beperkender
Failpercentage	Lager	Hoger
Werken bij lage temperaturen	Van toepassing	Niet van toepassing risico op emulsievorming

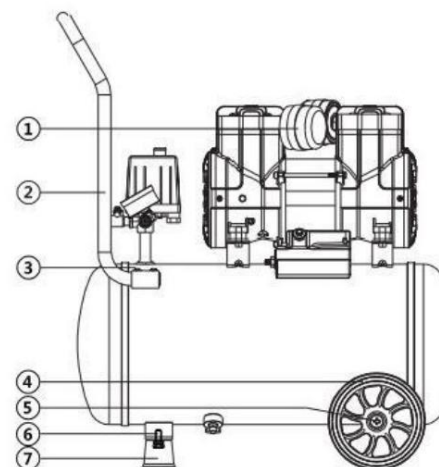
Let op: bovenstaande gegevens zijn afkomstig van het laboratorium van de fabrikant

## INHOUD VAN HET PAKKET & MONTAGE



### Handgreep type machine

Nee.	Onderdelen	Hoeveelheid
1	Luchtfilter	2
2	Hendel	1
3	Schroef	2
4	Bout	4
5	Kussenvoet	4



### Trekstang type

Nee.	Onderdelen	Hoeveelheid
1	Luchtfilter	2
2	Trekstang	1
3	Schroef	4
4	Wiel	2
5	As	2
6	Bout	1
7	Kussenvoet	1

## MONTAGE

### 1. Wiel (foto A)

Steek de schroeven om de beurt door de wielen en de gaten van de onderste beugel van de romp, Draai de borgmoer vast.

### 2. Kussenvoet (foto B)

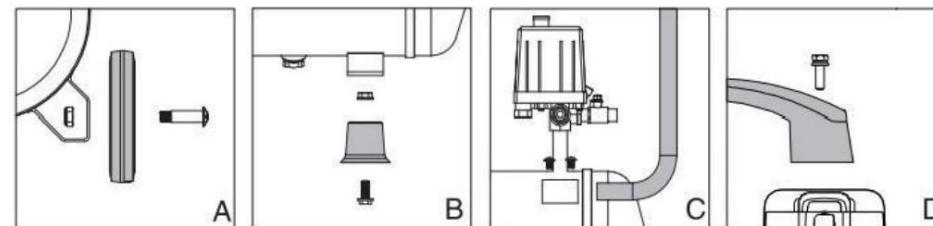
Schroef de kussenvoet in het schroefgat van de machine en draai de moer vast om hem vast te zetten.

### 3. Trekstang (foto C)

Schuif de trekstang naar de houder en draai de moer vast om deze vast te zetten

### 4. handvat (foto D)

Bevestig de hendel met een moer aan het zuigerdeksel.



## WERKING

### 1. Veiligheidsventiel (foto)

**E):** Veiligheidsventiel wordt voornamelijk gebruikt om de luchtdruk stabiel te houden. Wanneer de luchtdruk hoger wordt dan 10 bar (15 bar voor hogedrukmodellen), de druk wordt automatisch vrijgegeven om te beschermen de veiligheid van de gebruikers. Het veiligheidsventiel kan niet worden gebruikt om de lucht te laten ontsnappen. Vaak uittrekken van het veiligheidsventiel kan het veiligheidsventiel gemakkelijk beschadigen.

### 2. Drukmeter (Afb. E): De

luchtcompressor wordt tijdens normaal bedrijf automatisch aangestuurd door een drukschakelaar.

Wanneer de druk de maximale waarde bereikt, stopt het automatisch en wanneer de

Als de druk daalt tot de begindruk, start hij automatisch. De werkdruk van de

De luchtdrukschakelaar is afgesteld voordat deze de fabriek verlaat en kan tijdens gebruik niet naar wens worden gewijzigd.

De druk wordt weergegeven door de manometer.

### 3. Stroomaansluiting:

Steek de stekker in het stopcontact en schakel de stroom in (de stroom moet geaard zijn). Let op: De luchtcompressor mag niet te ver van de stroombron worden geplaatst (binnen 10 meter), om te voorkomen dat

Verlaag de spanning van de motor.

### 4. Drukschakelaar (Pic.F)

Verticale schakelaar: Trek de schakelaar omhoog om in te schakelen en druk op de knop om uit te schakelen. Horizontale

Schakelaar: Zet de schakelaar op AUTO om het apparaat in te schakelen; zet de schakelaar op UIT om het apparaat uit te schakelen.

### 5. Luchtuitlaat (foto E)

1. De kogelkraan kan direct worden gebruikt. 2.

Controleer voordat u de snelkoppeling gebruikt of er geen druk in de luchttank is.

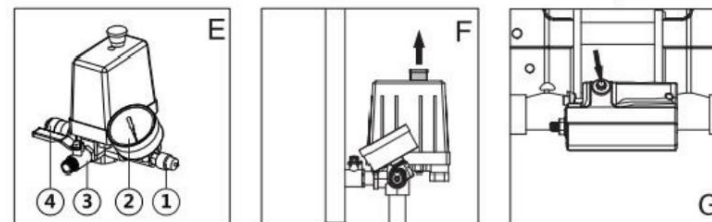
### 6. Beweging

Voordat u de compressor verplaatst, moet u ervoor zorgen dat de schakelaar uit staat en de stekker van het netsnoer in het stopcontact zit.

uit het stopcontact gehaald. Pak de hendel vast, til de luchtcompressor op, verplaats de luchtcompressor

in de gewenste positie, laat de hendel zakken en zorg ervoor dat de luchtcompressor op een vlakke ondergrond staat.

Let op: Zorg ervoor dat uw voeten stevig staan en vraag indien nodig om hulp.



### 7. Overbelastingsbeveiliging (foto G)

Dit product is uitgerust met een overbelastingsbeveiliging. Wanneer de werkspanning te hoog is,

laag of te hoog, of de werkomgeving is met een hoge omgevingstemperatuur, de motor is

oververhit raakt, zal de machine automatisch de stroomtoevoer uitschakelen om de motor te beschermen.

dat de gebruiker eerst de aan/uit-schakelaar moet uitschakelen, 3-10 minuten moet wachten en vervolgens op de knop moet drukken

rode resetknop (afhankelijk van de koelcondities), zet hem dan aan, de machine kan gebruikt worden

normaal gesproken werkt het nog steeds niet als de knop wordt gereset. Wacht 30 minuten of langer en

Start vervolgens de motor nadat deze volledig is afgekoeld.

## ONDERHOUD

Voordat u onderhouds- of reparatiewerkzaamheden uitvoert, moet u de stroomtoevoer uitschakelen en ervoor zorgen dat de

De luchttank is drukloos, anders is het heel gemakkelijk om verwondingen te veroorzaken!!

1. Reinig en onderhoud het apparaat regelmatig.

2. Als het netsnoer beschadigd is, moet het, om gevaar te voorkomen, door de fabrikant worden vervangen. onderhoudsafdeling van de fabrikant of een gekwalificeerd persoon.

3. Open de afvoerklep om het water dagelijks of na elk gebruik af te voeren. Bij het aftappen is de druk in de luchttank moet minder dan 1 bar zijn.

4. Controleer wekelijks of het veiligheidsventiel gevoelig is. Trek het veiligheidsventiel eruit om te controleren of het gemakkelijk leegloopt en of het direct na het indrukken weer kan worden gereset.

5. Het wordt aanbevolen om het filterelement van het luchtfilter te verwijderen en het schoon te maken met schone hogedruk lucht na elke 200 gebruiksuren, en het filterelement van het luchtfilter na elke 500 uur te vervangen. van gebruik, en vervang de cilinder en zuigerveer elke 2000 gebruiksuren. De details kunnen worden aangepast aan het daadwerkelijke gebruik.



6. De luchttank moet elke twee jaar aan een druktest worden onderworpen en de interne en externe oppervlakken moeten eenmaal per jaar worden geïnspecteerd. Wanneer er sprake is van ernstige roest, ernstige kneuzingen of wanneer de druktest niet is doorstaan, moet de luchttank worden vervangen.

7. Als er sprake is van hevige trillingen in de machine, controleer dan of de schokdemper vervangen moet worden.

### Voorzorgsmaatregelen voor onderhoud:

(1) Voordat u de machine demonteert, moet u de stroomtoevoer uitschakelen, wachten tot de machine is afgekoeld en ervoor zorgen dat de luchttank drukloos is.

(2) Tijdens het onderhoudsproces moeten de bevestigingsmiddelen worden vastgedraaid. Als er schade wordt geconstateerd, moeten ze worden vervangen door nieuwe.

(3) Wanneer het onderhoud is voltooid, moet de ventilator na herinstallatie worden gedraaid om te controleren of er afwijkingen

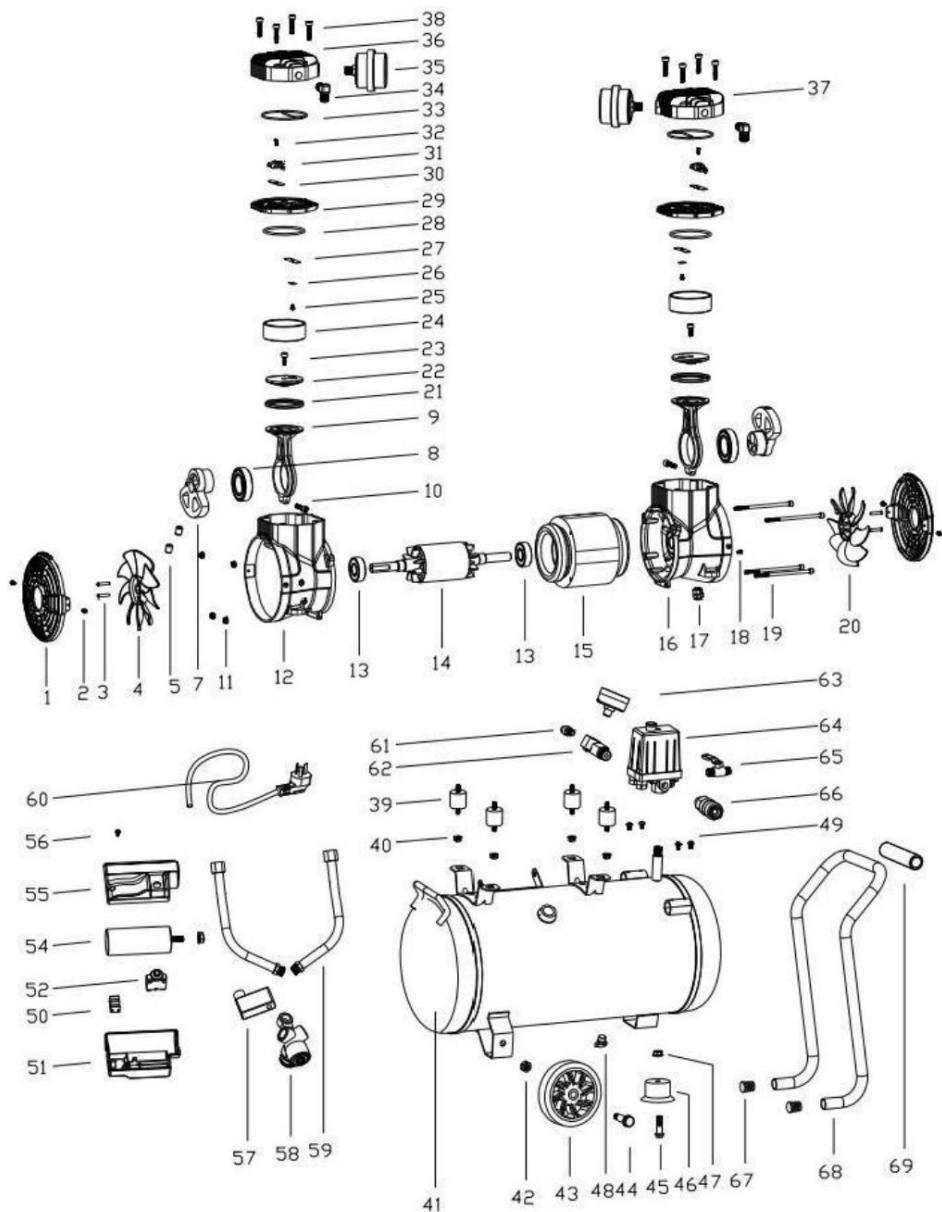
(Let op: de linker- en rechterventilator blazen naar binnen wanneer de motor draait.)

## PROBLEMEN OPLOSSEN

Waarschuwing: Voordat u onderhouds- of reparatiewerkzaamheden uitvoert, moet u de stroomtoevoer uitschakelen en ervoor zorgen dat de luchttank drukloos is. Anders is er een groot risico op letsel!

Probleem	Mogelijke oorzaak	Oplossing
De motor start niet en maakt geen enkel geluid	Geen stroomvoorziening	Controleer de stekker en de voeding
	Drukschakelaar is uit	zet de drukschakelaar aan
	Onder overbelastingsbeveiliging	Druk op de rode resetknop om te starten nadat de machine is afgekoeld
	Drukschakelaar defect	Vervang de drukschakelaar
	Stator defect	Vervang de stator
De motor doet het motorwikkeling start langzaam, met een brommend geluid	Laagspanningsvoeding	Plaats de luchtcompressor op een goed geventileerde plaats
	Kortsluiting of open circuit start niet of de	Neem contact op met Auarita of dealer
	Terugslagklep of druk Schakelfout	Neem contact op met Auarita of dealer
De overbelastingsbeveiliging schakelt de stroom herhaaldelijk uit	Laagspanningsvoeding	Controleer de ingangsspanning, deze mag niet 10% lager zijn dan de nominale spanning
	Slechte ventilatie, te hoge temperatuur	Controleer de ingangsspanning, mag niet 10% hoger zijn dan de nominale spanning
	Verkeerde installatie van de ventilator	Controleer de ventilator en installeer deze in de juiste richting
Drukval in de tank	Luchtlekken bij aansluitingen	Controleer elke verbinding, draai lekkende verbindingen vast
	Afvoerklap is open of los	Draai de aftapkraan vast
	Luchtlekken bij terugslagklep	Verwijderen en schoonmaken, als het nog steeds niet werkt, Vervang het terugslagventiel
Het uitlaatgas heeft een hoge luchtvochtigheid	Veel water in de tank	Laat het water in de tank leeglopen
	De werkomgeving met een te hoge luchtvochtigheid	Verplaats de luchtcompressor naar een plaats met een lage luchtvochtigheid of gebruik een olie-waterafscheider
De motor stopt niet	Drukschakelaar defect	Vervang de drukschakelaar
	Lucht lekkage, kan de maximale druk niet bereiken	Controleer en draai de lekkende verbinding vast
Machine met Hoge trillingen	Losse bevestigingsmiddelen	Controleer en strakker
	De interne onderdelen van de luchtcompressor zijn verouderd of beschadigd	Vervang voet of schokdemper
	Kussenvoet of schokdemper beschadigd	Vervang verouderde of beschadigde onderdelen
Kan het maximale werkvermogen niet bereiken druk	Afvoerklap is open of los	Draai de aftapkraan vast
	LuchtfILTER geblokkeerd	Filterelement reinigen of vervangen
	Lucht lekkage	Controleren en vastdraaien
	Slechte klepfunctie of vreemde materie of luchtlekkage	Schoonmaken of vervangen
	Overmatige slijtage van de zuigerveren	Vervang de zuigerveren

## EXPLODED VIEW &amp; ONDERDELENLIJST



Nee . Onderdelen	Aantal	Nr. Onderdelen	ty
1 Ventilatorkap	2	36 Linker cilinderdeksel	2
2 Schroef	4	37 Rechter cilinderdeksel	1
3 Schroef	2	38 Schroef	1
4 Linker ventilator	1	39 Schokdemper	8
5 Stelschroef	2	40 Schroef	4
6 Stelschroef	2	41 Lucht tank	4
7 Kruk	2	42 moer	1
8 Lager	2	43 Wiel	2
9 Drijfstang	2	44 assen	2
10 Schroef	2	45 Bout	1
11 Moer	4	46 Kussenvoet	1
12 Krukasbehuizing	1	47 Moer	1
13 Lager	2	48 Afvoer klep	1
14 Rotor	1	49 Borgmoer voor handgreep	4
15 Stator		50 Aansluit blok	1
16 Krukasbehuizing		51 Onderste deksel voor condensator 1	
17 Trekontlastingsbus	1	52 Overbelastingsbeveiliging	1
18 Grondschroef	1	53 Moer voor condensatorbehuizing	1
19 Schroef	4	54 Condensator	1
20 Rechter ventilator	1	55 Bovenste afdekking voor condensator 1	
21 Zuigerveer	2	56 Schroef	1
22 Drukplaat	2	57 Solenoïde klep	1
23 Schroef	2	58 Terugslag klep	1
24 cilinder	2	59 Hoge drukleiding	2
25 Schroef	2	60 Netsnoer en stekker	1
26 Metalen versterkingsplaat	2	61 Veiligheidsventiel	1
27 Luchtventiel	2	62 Aansluiting	1
28 Cilinder afsluitring 2		63 Manometer	1
29 Klepplaat	2	64 Drukschakelaar	1
30 Op vave	2	65 Kogelkraan	1
31 Beperkt blok	2	66 Snelkoppeling	1
32 Schroef	2	67 Eindkap	2
33 Afdichtring	2	68 Handvat	1
34 Elleboog	2	69 Schuimhoes	1
35 Luchtfilter	2		

## PRODUKTSPECIFIKATIONER

Serie	Försäljningsområde	Mot	Spänning Frekvens	Luftflöde @8bar	Max tryck	Driva	Tank volym	Brus	Driva sladd	Motor Hastighet
				L/min	Bar	kW	L	dB	m <sup>2</sup>	rpm
Oljefri serie	USA Kanada	2-900F8	120V~ 60 Hz	65	8	0,9	8	75	1,5	3400
		2-900F18		65	8	0,9	18	75	1,5	3400
		2-1450F24		95	8	1,45	24	75	2,5	3400
	De Europeiska Union	2-900F8	220-240V~ 50 Hz	65	8	0,9	8	72	0,75	2800
		2-900F18		65	8	0,9	18	72	0,75	2800
		2-1450F24		95	8	1,45	24	72	1	2800
		2-1800F35		140	8	1,8	35	76	1,5	2800

### Kasta:

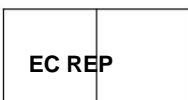
Denna produkt omfattas av bestämmelserna i det europeiska direktivet 2012/19/EC. Symbolen som visar en soptunna på hjul korsad indikerar att produkten kräver separat sophämtning Europeiska unionen. Detta gäller produkten och alla tillbehör märkt med denna symbol. Produkter märkta som sådana kanske inte är det kasseras med vanligt hushållsavfall, men måste tas till en insamlingsplats för återvinning av elektriska och elektroniska apparater.

**FC** Denna enhet uppfyller del 15 av FCC-reglerna.

**C** Driften är föremål för följande två villkor:

1. Den här enheten får inte orsaka skadliga störningar;
2. Den här enheten måste acceptera alla mottagna störningar, inklusive störningar som kan orsaka oönskad funktion.

Adress: Shuangchenglu 803nong11hao1602A-1609shi,baoshanqu,  
Shanghai 200000 CN.



E-CrossStu GmbH.  
Mainzer Landstr.69,60329 Frankfurt am Main.

# Vevor Q

## OLJEFRI LUFTKOMPRESSOR

ANVÄNDARMANUAL

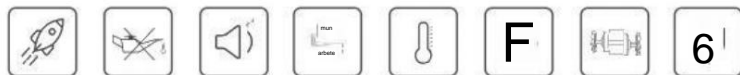
# VEVOR

E-post:CustomerService@vevor.com

# VEVOR OLJEFRI LUFT

## KOMPRESSOR

Instruktionsmanual



Högflödestillförsel

Oljefri

Lågt ljud

vibration

Låg

temperaturökning

hög

tryckludd motorskydd

6

**BEHÖVER HJÄLP? KONTAKTA OSS!**

Har du produktfrågor? Behöver du teknisk support? Kontakta oss gärna:

[CustomerService@vevor.com](mailto:CustomerService@vevor.com)

Detta är den ursprungliga instruktionen, läs alla manualer noggrant innan du använder den. VEVOR reserverar sig för tydlig tolkning av vår användarmanual. Produktens utseende ska vara föremål för produkten du fick. Förlåt oss att vi inte kommer att informera dig igen om det finns någon teknik eller mjukvaruuppdateringar på vår produkt

## VIKTIGA SÄKERHETSINSTRUKTIONER

Denna handbok innehåller viktiga instruktioner för användning av denna produkt. För din säkerhet och andras säkerhet, se till att läsa denna bruksanvisning noggrant innan du använder produkten. Tack dig för att du har valt den oljefria luftkompressorn VEVOR. Kontakta oss om du har någon fråga

- Maskinen ska förvaras i ett torrt och ventilerat rum, och absolut undvika att vara nära ömtåliga, brandfarliga och kemiska ämnen! Lagringstiden bör inte överstiga två år från det datum då den lämnade fabriken, om den överskrider lagringstiden. Kontrollera och underhåll före användning, eller gör ett test om det behövs!
- Maskinen är strängt förbjuden att kollidera, placeras stadigt när den används, och den måste förhindras från titning och upp och ner under transport för att undvika felfunktion!
- Försök att undvika att använda den i en miljö där temperaturen är för hög, luften är smutsig, dammig, oljigt bränsle och avgasföroreningar. Användning i dessa miljöer kan orsaka skador på maskin.
- Innan du ansluter till den fungerande strömförsörjningen, se till att maskinen är avstängd och att strömförsörjningsspänningen inte får vara lägre än eller högre än 10 % av den nominella driften spänning på maskinen!
- Rör inte vid högtemperaturområdet på maskinen medan maskinen vaknar! För t.ex. cylinderhuvudet, backventilen och andra komponenter. Om underhåll krävs, stäng av maskinen, koppla ur strömförsörjningen och vänta tills maskinen har svalnat ner för att förhindra brännskador!
- Maskinen har strikta krav på strömkabeln. Se specifikationen i handboken för detaljer. Strömkabeln bör inte vara för lång för att förhindra överdriven spänningsfall och påverka maskinens prestanda. • Rekommenderad miljötemperatur bör vara 0-37 °C. För låg eller för hög temperatur kan påverka maskinens prestanda. • Före användning, bekräfta om säkerhetsventilen är effektiv, dra upp säkerhetsventilen för att kontrollera om den lätt kan ventileras. Efter kontroll, tryck på säkerhetsventilen för att se till att den har varit återställd.
- Under användning, undvik maskinens luftutlopp och den utrustning som är ansluten till luftutloppet från direkt vänd mot operatören eller annan personal för att förhindra möjliga potentiella faror och skador till människokroppen

Fördelar med VEVOR:

Designad av italienskt team, med elegant och modern industriell stil utseende; Ärver de höga standarderna och den höga kvaliteten på VEVOR varumärke i 25 år; Kinas nationella högteknologiska företag, med fokus på innovation och FoU inom pneumatikområdet.

## INTRODUKTION

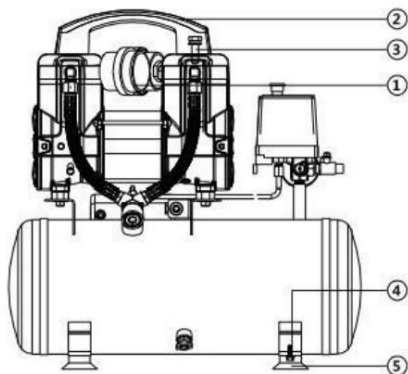
Jämfört med traditionell remdrift eller direktdriven luftkompressor, vår oljefria luftkompressor (nedan kallad luftkompressor) kräver ingen smörjolja och kan ge en relativt ren luftkälla med lågt ljud, vilket är särskilt lämpligt för tandvård, avel, medicin, fitness, skönhet, kemisk industri, vetenskapliga experiment och andra höga krav fält. Samtidigt kan den också användas i stor utsträckning i traditionell hemförbättring, auto reparation, fabriker och andra områden, såsom lufttillförsel för pneumatiska verktyg, som sprutpistol, luft spikpistol etc, lufttillförsel till fordonsbromsar, lufttillförsel för verktygsutrustning, etc.

### Jämförelse med traditionell remdrift eller direktdrift luftkompressorer:

Föremål	Oljefri luftkompressor	Direktdrift eller remdrift
Smörjning	Nej, utan underhållskostnad	Ja, högre underhållskostnad
Olje/vattenfilter	Inget behov	Behov
Luftens renhet	Högre	Lägre
Motor	Högre effektivitet	Lägre verkningsgrad
Energiförbrukning	Lägre	Högre
Buller	Mjuk, låg, runt 75db	Hård, hög, runt 90db
arbetar kontinuerligt	Mindre restriktiv	Mer restriktiv
Misslyckandefrekvens	Lägre	Högre
Arbetar med låg temperatur	Tillämplig	Ej tillämpligt risk för emulgering

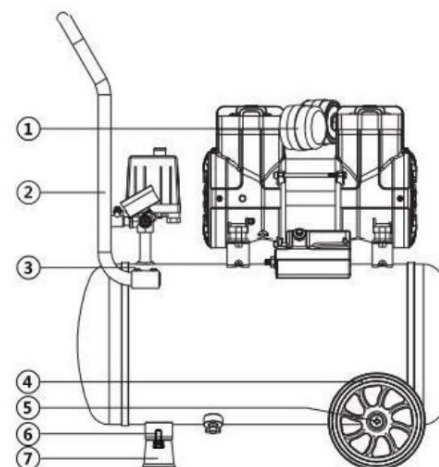
Obs: Ovanstående data kommer från tillverkarens laboratorium

## FÖRPACKNINGENS INNEHÅLL & MONTERING



### Maskin av handtagstyp

Inga.	Delar	Antal
1	Luftfilter	2
2	Hantera	1
3	Skruva	2
4	Bult	4
5	kuddsfot 4	



### Typ av dragstång

Inga.	Delar	Antal
1	Luftfilter	2
2	Dra stång	1
3	Skruva	4
4	Hjul	2
5	Axel	2
6	Bult	1
7	kuddsfot	1

## MONTERING

### 1. Wheel (Pic.A)

För skruvarna genom hjulen och hålen i bottenfästet på flygkroppen i tur och ordning, dra åt låsmuttern.

### 2. Kuddsfot (bild B)

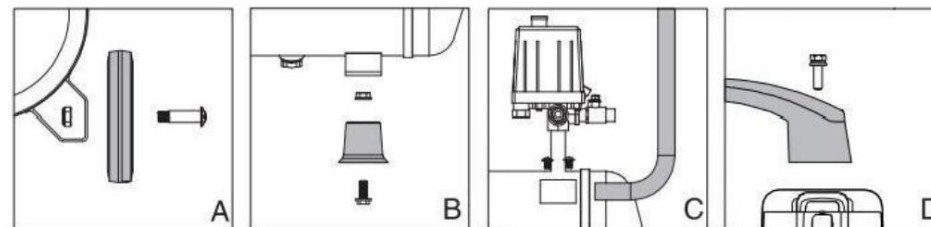
Skruva in kuddsfoten i maskinens skruvhål och dra åt muttern för att fixera den.

### 3. Dragstång (bild C)

Skjut dragstången till hållaren och dra åt muttern för att fixera den

### 4. handtag (bild.D)

Fäst handtaget på kolvkåpan med mutter.



## DRIFT

### 1. Säkerhetsventil (bild)

**E):** Säkerhetsventil används huvudsakligen för att hålla lufttrycket stabilt. När lufttrycket överstiger 10 bar (15 bar för högtrycksmodeller), den släpper automatiskt trycket för att skydda användarnas säkerhet. Varning! Säkerhetsventilen kan inte användas för att tömma luft. Frekvent utdragning av säkerhetsventilen kan lätt skada säkerhetsventilen.

### 2. Tryckmätare (bild E):

Luftkompressorn styrs automatiskt av tryckvakt under normal drift.

När trycket når maxvärdet kommer det automatiskt att stanna, och när

trycket sjunker till starttrycket, startar det automatiskt. Arbetstrycket för den

Lufttrycksvakten har justerats innan den lämnade fabriken och kan inte ändras efter behag under användning. Trycket visas av tryckmätaren  $\bar{y}$ .

### 3. Strömanslutning: Sätt i

kontakten och slå på strömmen (strömmen måste vara jordad). Obs: Luftkompressorn bör inte placeras för långt bort från strömkällan (inom 10 meter), för att inte minska spänningen på motorn.

### 4. Tryckbrytare (bild F)

Vertikal strömbrytare: Dra upp strömbrytaren för att slå på och tryck på knappen för att stänga av. Horisontell switch: Vrid omkopplaren till AUTO för att slå på den; vrid omkopplaren till OFF för att stänga av.

### 5. Luftuttag (bild E)

1. Kulventilen  $\bar{y}$  kan användas direkt. 2. Innan

du använder snabbkopplingen  $\bar{y}$  försäkra dig om att det inte finns något tryck i lufttanken.

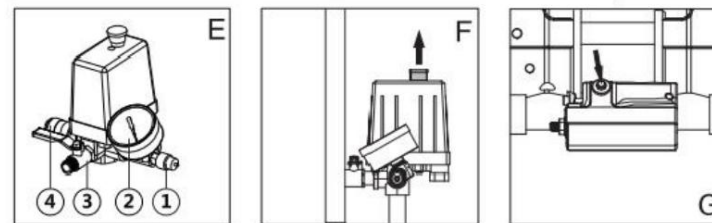
### 6. Rörelse

Innan du flyttar kompressorn, se till att strömbrytaren är avstängd och att nätsladdens kontakt är i

ur uttaget. Ta tag i handtaget, lyft luftkompressorn, flytta luftkompressorn

till önskat läge, sänk handtaget och se till att luftkompressorn står på ett plant underlag.

Obs: Se till att dina fötter står stadigt och sök hjälp vid behov.



### 7. Överbelastningsskydd (bild G)

Denna produkt är utrustad med ett överbelastningsskydd. När arbetsspänningen är för hög låg eller för hög, eller arbetsmiljön är med hög omgivningstemperatur, är motorn överhettad, kommer maskinen automatiskt att stänga av strömförsörjningen för att skydda motorn att användaren måste stänga av strömbrytaren först, vänta i 3-10 minuter och sedan trycka på röd återställningsknapp (beroende på kylningsförhållandena), slå sedan på den, maskinen kan användas normalt, om knappen återställs, fungerar den fortfarande inte normalt. Vänta i 30 minuter eller mer, och starta sedan motorn efter att den har svalnat helt.

## UNDERHÅLL

Innan något underhålls- eller reparationsarbete måste du stänga av strömförsörjningen och se till att lufttanken är tryckfri, annars är det väldigt lätt att orsaka skador!!

1. Rengör och underhåll maskinen regelbundet.
2. Om nätsladden är skadad, för att undvika fara, måste den ersättas av tillverkarens underhållsavdelning eller kvalificerad person.
3. Öppna avtappningsventilen för att tömma vattnet dagligen eller efter varje användning. Vid tömning, trycket i lufttanken bör vara mindre än 1 bar.
4. Kontrollera om säkerhetsventilen är känslig varje vecka, dra ut säkerhetsventilen för att kontrollera om den lätt kan tömmas och den kan återställas omedelbart efter att du tryckt på den.
5. Det rekommenderas att ta bort filterelementet på luftfiltret och rengöra det med ren högtrycksluft var 200:e timmes användning, byt ut luftfiltrets monteringsselement var 500:e timme av användning, och byt ut cylindern och kolringen var 2000:e drifttimme. Detaljerna kan vara anpassas efter den faktiska användningen.

6. Lufttanken ska utsättas för ett tryckprov vartannat år, och de inre och yttre ytorna ska inspekteras en gång om året. Vid kraftig rost, allvarliga blåmärken eller inte klarat tryckprovet ska lufttanken bytas ut.

7. Vid kraftig maskinvibration, var uppmärksam på om du behöver byta ut stötdämparen.

#### Försiktighetsåtgärder för underhåll:

(1) Innan du demonterar maskinen, stäng av strömförsörjningen, vänta tills maskinen har svalnat och se till att lufttanken är tryckfri.

(2) Under underhållsprocessen bör fästelementen dras åt, om någon skada upptäcks bör de ersättas med nya.

(3) när underhållet är över, efter ominstallation, bör fläkten roteras för att kontrollera abnormiteter

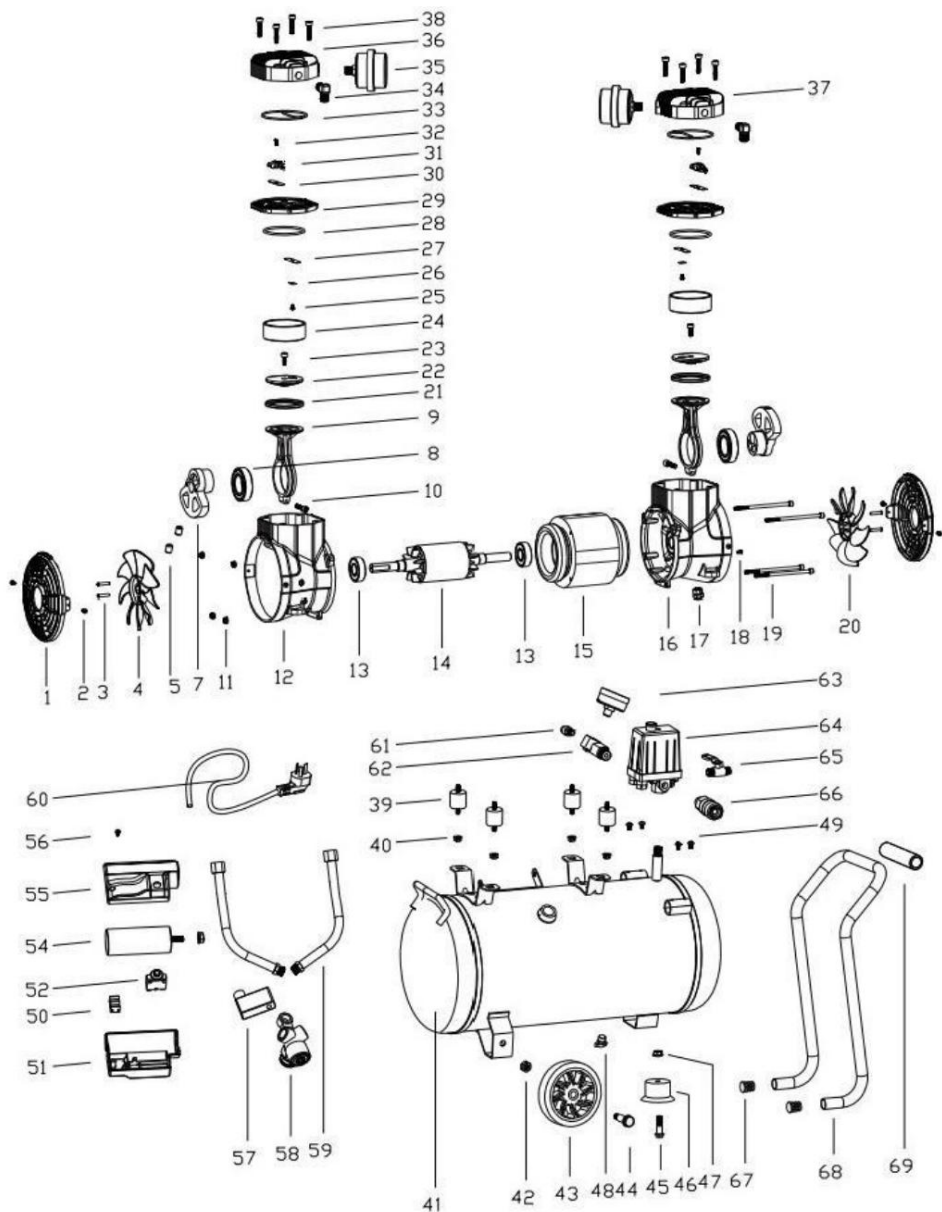
(Obs: Vänster och höger fläkt blåser inåt när motorn roterar.)

## FELSÖKNING

Varning: Innan något underhålls- eller reparationsarbete måste du stänga av strömförsörjningen och se till att lufttanken är tryckfri, annars är det mycket lätt att orsaka skador!

Problem	Möjlig orsak	Lösning
Motorn startar inte och utan ljud	Ingen strömförsörjning	Kontrollera kontakten och strömförsörjningen
	Tryckbrytaren är avstängd	slå på tryckbrytaren
	Under överbelastningsskydd	Tryck på den röda återställningsknappen för att starta efter att maskinen svalnat
	Tryckbrytare defekt	Byt ut tryckvakten
	Statorn defekt	Byt ut statorn
Motorn gör det motorns lindning startar långsamt, med ett surrande ljud	Lågspänningsmatning	Placera luftkompressorn på en väl ventilerad plats
	Kortslutning eller öppen krets startar inte eller	Kontakta Auarita eller återförsäljare
	Kontrollera ventil eller tryck Omkopplaren är felaktig	Kontakta Auarita eller återförsäljare
Överbelastningsskyddet stänger av strömmen upprepade gånger	Lågspänningsmatning	Kontrollera ingångsspänningen, kan inte 10% lägre än märkspänningen
	Dålig ventilation, för hög temperatur	Kontrollera ingångsspänningen, kan inte 10% lägre än märkspänningen
	Fel installation av fläkt	Kontrollera fläkten och installera den i rätt riktning
Tryckfall i tanken	Luftläckor vid anslutningar	Kontrollera varje anslutning, dra åt den läckande anslutningen
	Dräneringsventilen är öppen eller lös	Dra åt avtappningsventilen
	Luftläckage vid backventilen	Ta bort och rengör, om det fortfarande inte fungerar, Byt ut backventilen
Avgaserna har en hög luftfuktighet	Mycket vatten i tanken	Töm vattnet i tanken
	Arbetsmiljön med för hög luftfuktighet	Flytta luftkompressorn till en plats med låg luftfuktighet, eller använd en oi-vattenseparator
Motorn stannar inte	Tryckbrytare defekt	Byt ut tryckvakten
	Luftläckage, kan inte nå maxtrycket	Kontrollera och dra åt den läckande anslutningen
Maskin med Hög vibration	Lösa fästelement	Kontrollera och tätare
	Luftkompressorns inre delar är åldrande eller skadade	Byt ut foten eller stötdämparen
	Kuddefot eller stötdyna skadad	Byt ut åldrade eller skadade delar
Kan inte nå max som fungerar tryck	Dräneringsventilen är öppen eller lös	Dra åt avtappningsventilen
	Luftfilter blockerat	Rengör eller byt ut filterelementet
	Luftläckage	Kontrollera och dra åt
	Dålig ventilfunktion eller främmande föremål eller luftläckage	Rengör eller byt ut
	Överdrivet slitage på kolringar	Byt ut kolringen

## EXPLODERAD VIED & DELLISTA



Nej. Delar	Antal	Antal delar	ty
1 Fläktkåpa	2	36 Vänster cylinderkåpa	2
2 Skruv	4	37 Höger cylinderkåpa	1
3 Skruv	2	38 Skruv	1
4 Vänster fläkt	1	39 Stötdyna	8
5 Ställskruv	2	40 Skruv	4
6 Ställskruv	2	41 Lufttank	4
7 Vev	2	42 mutter	1
8 Lager	2	43 Hjul	2
9 Vevstång	2	44 axel	2
10 Skruv	2	45 Bult	1
11 Mutter	4	46 Kuddfot	1
12 Vevhus	1	47 Mutter	1
13 Lager	2	48 Dräneringsventil	1
14 Rotor	1	49 Låsmutter för handtag	4
15 Stator		50 Plint	1
16 Vevhus		51 Bottenkåpa för kondensator 1	
17 Dragavlastningsbussning	1	52 Överbelastningsskydd	1
18 Jordskruv	1	53 Mutter till kondensatorhuset	1
19 Skruv	4	54 Kondensator	1
20 Höger fläkt	1	55 Övre kåpa för kondensator 1	
21 Kolring	2	56 Skruv	1
22 Tryckplatta	2	57 Magnetventil	1
23 Skruv	2	58 Backventil	1
24 Cylinder	2	59 Högtrycksrör	2
25 Skruv	2	60 Nätsladd och stickpropp	1
26 Metallförstärkningsplåt	2	61 Säkerhetsventil	1
27 Luftventil	2	62 Kontakt	1
28 Cylindertäppningsring 2		63 Tryckmätare	1
29 Ventilplatta	2	64 Tryckbrytare	1
30 På vave	2	65 Kulventil	1
31 Begränsat block	2	66 Snabbkoppling	1
32 Skruv	2	67 Ändlock	2
33 Tätningsring	2	68 Handtag	1
34 Armbåge	2	69 Skumhylsa	1
35 Luftfilter	2		