

VEVOR[®]

TOUGH TOOLS, HALF PRICE

Technical Support and E-Warranty Certificate

www.vevor.com/support

OUTDOOR TABLE TENNIS TABLE

MODEL: VT003

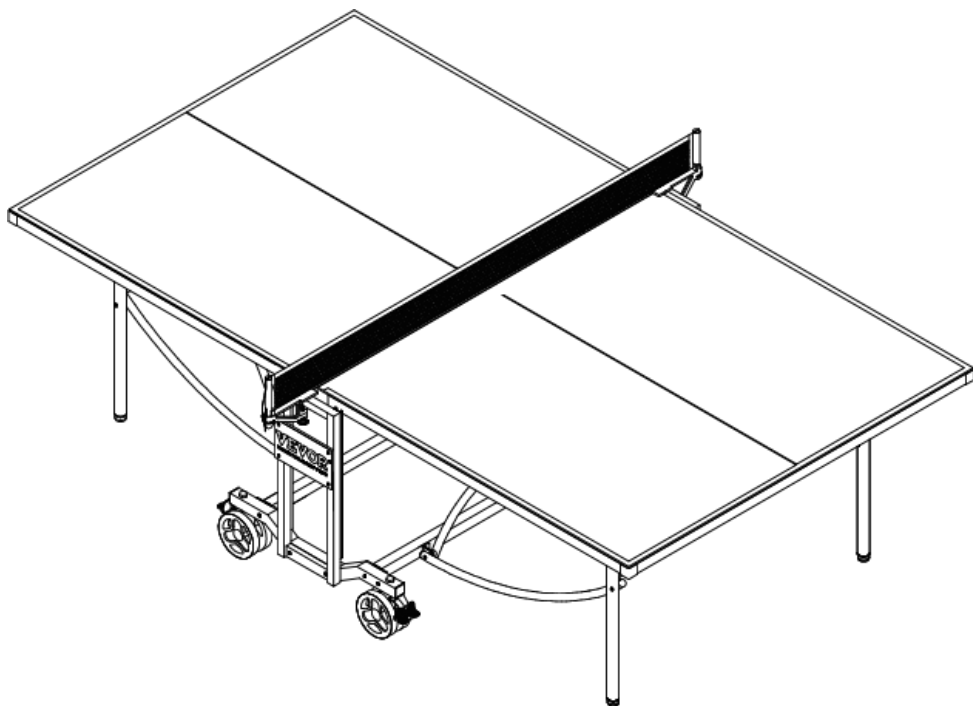
We continue to be committed to provide you tools with competitive price.

"Save Half", "Half Price" or any other similar expressions used by us only represents an estimate of savings you might benefit from buying certain tools with us compared to the major top brands and does not necessarily mean to cover all categories of tools offered by us. You are kindly reminded to verify carefully when you are placing an order with us if you are actually saving half in comparison with the top major brands.

VEVOR[®]

TOUGH TOOLS, HALF PRICE

OUTDOOR TABLE
TENNIS TABLE



NEED HELP? CONTACT US!

Have product questions? Need technical support? Please feel free to contact us:

Technical Support and E-Warranty Certificate
www.vevor.com/support

This is the original instruction, please read all manual instructions carefully before operating. VEVOR reserves a clear interpretation of our user manual. The appearance of the product shall be subject to the product you received. Please forgive us that we won't inform you again if there are any technology or software updates on our product.

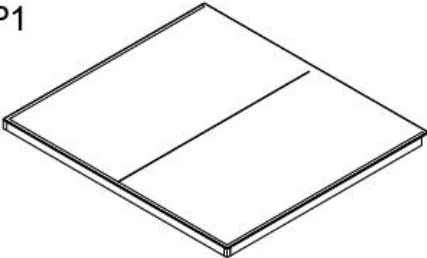



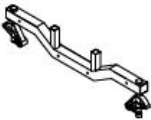













PRODUCT PARAMETERS

Model	Product Size (mm)	Location of Use	Panel Thickness
VT003	2740X1525X760	Outdoor	6mm




















Handling Equipment and Maintenance

1. Make sure that the table tennis table is fully and accurately assembled before use.
2. The table should not be moved, assembled or stored by children without adult super-vision.
3. Set the table up on a level surface.
4. Do not cover it with plastic foil because condensation may form beneath it.
5. Do not use corrosive or abrasive materials to clean the equipment as it may damage the surfaces of the table. In most cases, a slightly dampened cloth is sufficient.

PARTS IDENTIFIER

<p>P1</p>  <p>Table Tennis Top</p> <p>x2pcs</p>	<p>P2</p>  <p>Table Tennis Net</p> <p>x1pc</p>	<p>P3</p>  <p>Table Tennis Post</p> <p>x2pcs</p>
<p>P4</p>  <p>Connecti</p> <p>x2pcs</p>	<p>P5</p>  <p>Chassis</p> <p>x2pcs</p>	<p>P6</p>  <p>Side panel border</p> <p>x2pcs</p>
<p>P7</p>  <p>Poster board</p> <p>x2pcs</p>	<p>P8</p>  <p>Wheel</p> <p>x4set</p>	<p>P9</p>  <p>Wheel cover</p> <p>x8pcs</p>
<p>P10</p>  <p>P10B P10A</p> <p>Wheel brake pads</p> <p>x4set</p>	<p>P11</p>  <p>Sliding groove plastic screw</p> <p>x4set</p>	<p>P12</p>  <p>Circular tube</p> <p>x2pcs</p>
<p>P13</p>  <p>Circular tube</p> <p>x2pcs</p>	<p>P14</p>  <p>Circular tube</p> <p>x2pcs</p>	<p>P15</p>  <p>Handlebar</p> <p>x2pcs</p>
<p>P16</p>  <p>Plastic card slot</p> <p>x2pcs</p>	<p>P17</p>  <p>Circular tube</p> <p>x4pcs</p>	<p>P18</p>  <p>Circular tube</p> <p>x4pcs</p>

PARTS IDENTIFIER

<p>P19</p>  <p>Latch</p> <p style="text-align: right;">x4pcs</p>	<p>H1</p>  <p>M6x90 Bolt</p> <p style="text-align: right;">x4pcs</p>	<p>H2</p>  <p>M6x85 Bolt</p> <p style="text-align: right;">x4pcs</p>
<p>H3</p>  <p>M6x70 Bolt</p> <p style="text-align: right;">x4pcs</p>	<p>H4</p>  <p>M8x60 Bolt</p> <p style="text-align: right;">x4pcs</p>	<p>H5</p>  <p>M6x55 Bolt</p> <p style="text-align: right;">x8pcs</p>
<p>H6</p>  <p>M8x45 Bolt</p> <p style="text-align: right;">x4pcs</p>	<p>H7</p>  <p>M8*Ø16*8 Plastic washer</p> <p style="text-align: right;">x4pcs</p>	<p>H8</p>  <p>M8*Ø16*13 Plastic washer</p> <p style="text-align: right;">x8pcs</p>
<p>H9</p>  <p>M8*Ø16*4 Plastic washer</p> <p style="text-align: right;">x4pcs</p>	<p>H10</p>  <p>M6*Ø12*2 Plastic washer</p> <p style="text-align: right;">x48pcs</p>	<p>H11</p>  <p>M6 Lock Nut</p> <p style="text-align: right;">x24pcs</p>
<p>H12</p>  <p>M8 Lock Nut</p> <p style="text-align: right;">x4pcs</p>	<p>H13</p>  <p>M3*8 Screw</p> <p style="text-align: right;">x10pcs</p>	<p>H14</p>  <p>4x25mm Screw</p> <p style="text-align: right;">x10pcs</p>
<p>H15</p>  <p>M6L Tool</p> <p style="text-align: right;">x1pc</p>	<p>H16</p>  <p>M4L Tool</p> <p style="text-align: right;">x1pc</p>	<p>H17</p>  <p>Open end wrench</p> <p style="text-align: right;">x2pcs</p>
<p>H18</p>  <p>Plastic cover</p> <p style="text-align: right;">x4pcs</p>		

Product breakdown diagram

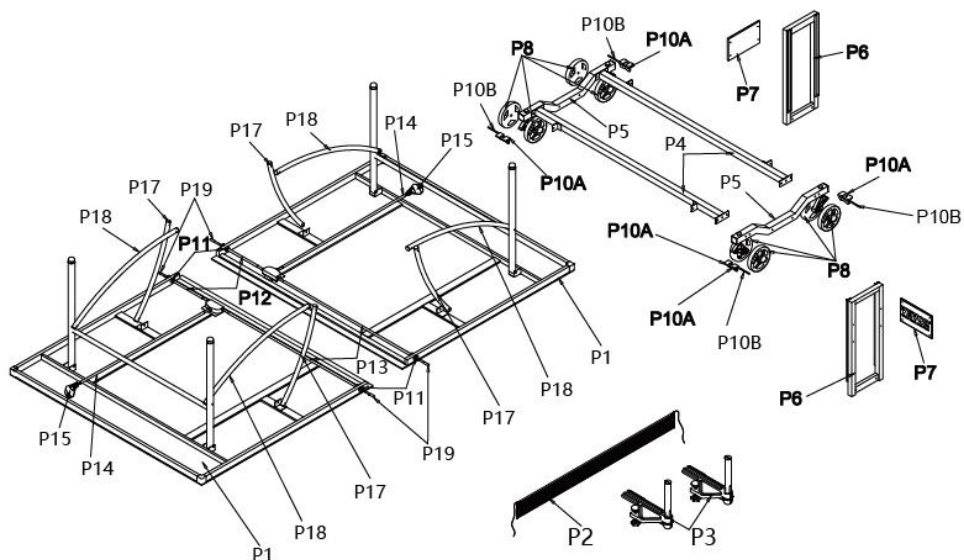


FIGURE 1

WARNING: TOW ADULTS NEEDED ASSEMBLE POOL TABLE

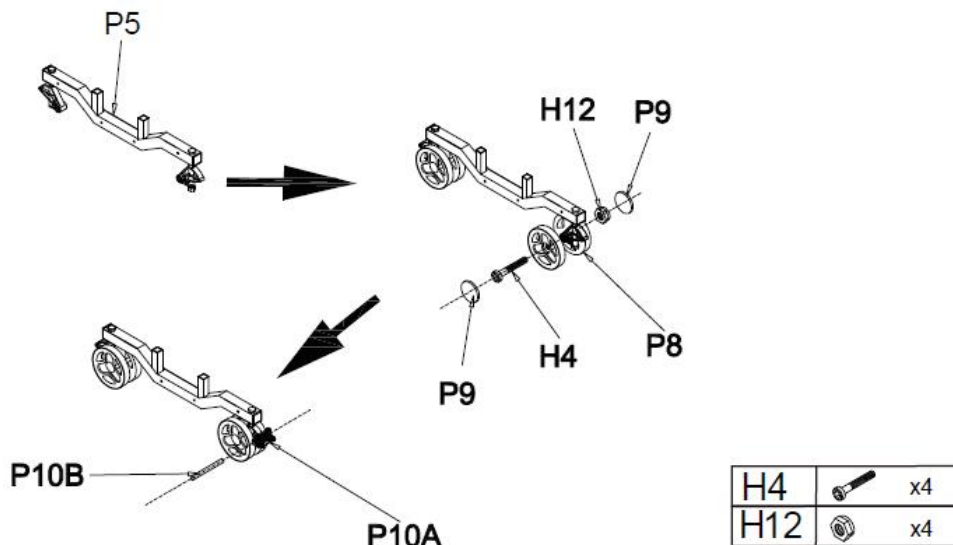
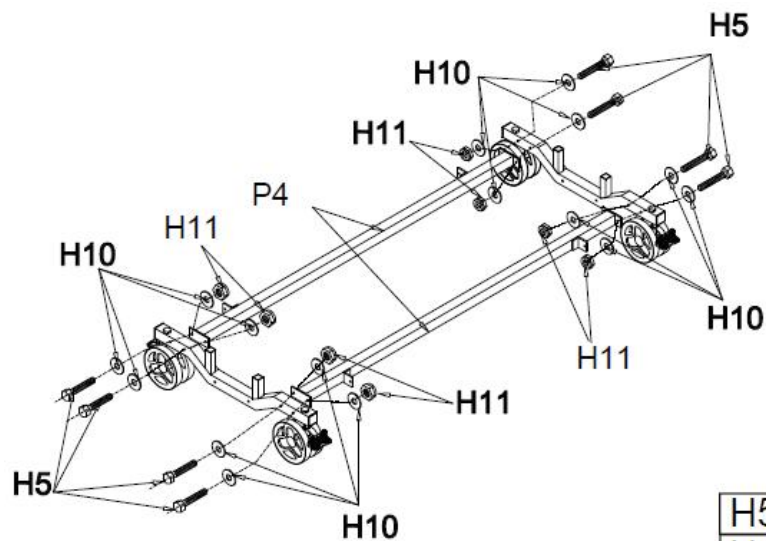


FIGURE 2

WARNING: TOW ADULTS NEEDED ASSEMBLE POOL TABLE






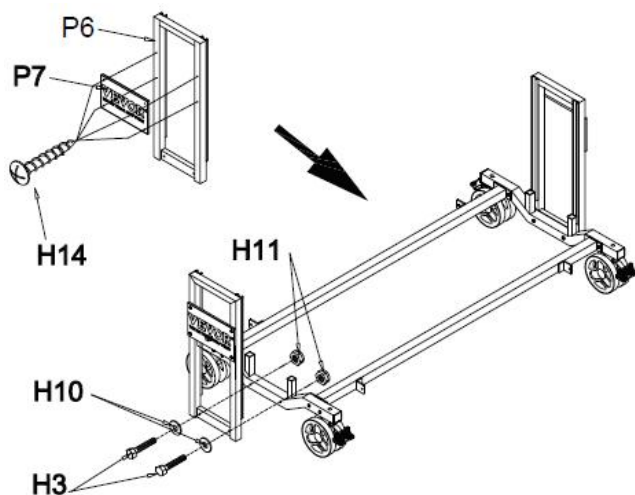
H5		x8
H10		x50
H11		x24

FIGURE 3






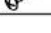
H3		x4
H10		x50
H11		x24
H14		x10

FIGURE 4

WARNING: TOW ADULTS NEEDED ASSEMBLE POOL TABLE

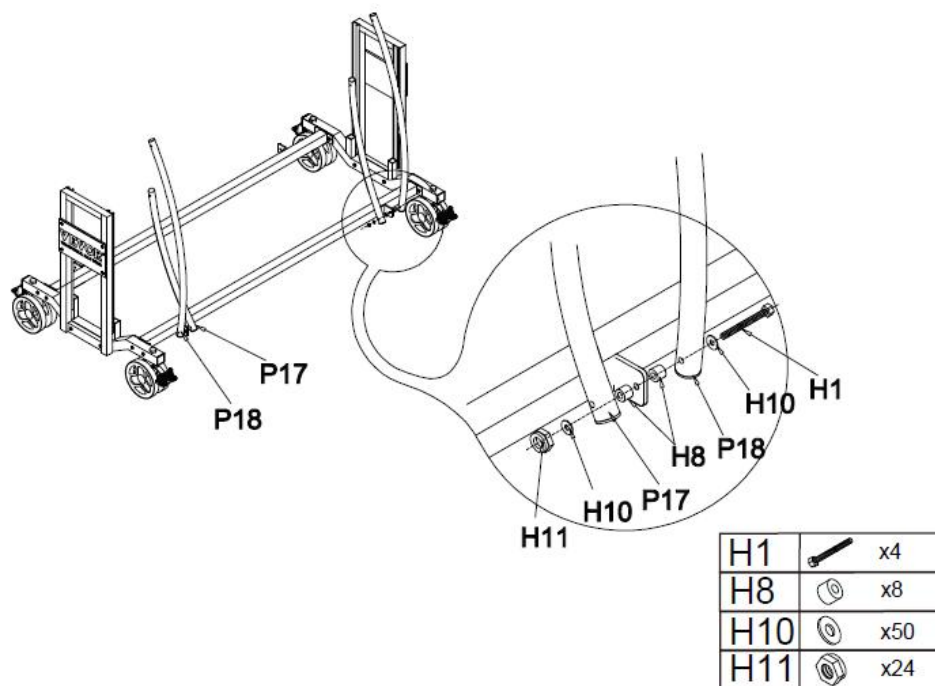


FIGURE 5

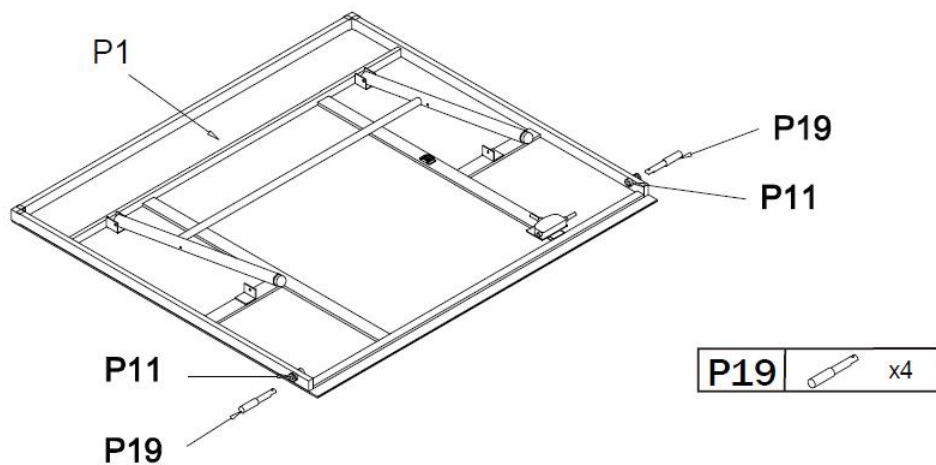


FIGURE 6

WARNING: TOW ADULTS NEEDED ASSEMBLE POOL TABLE

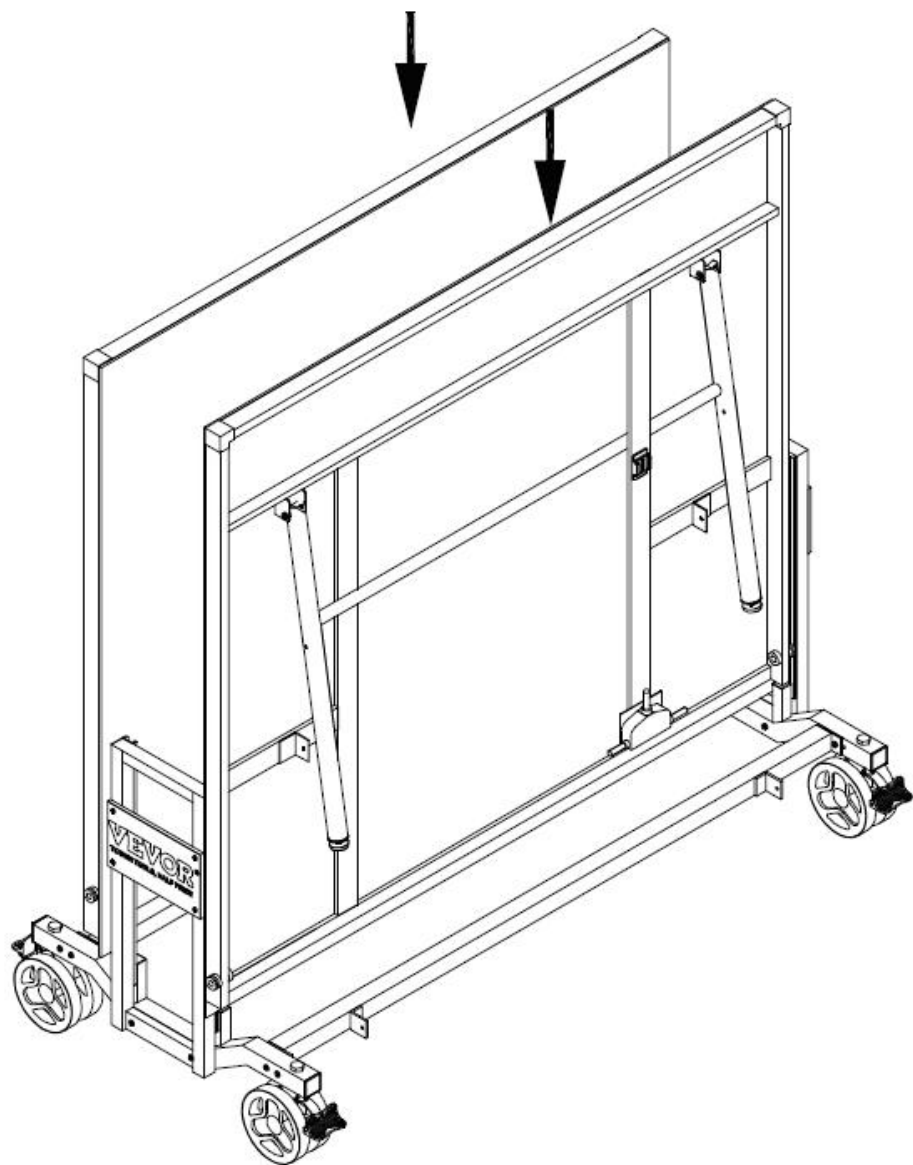
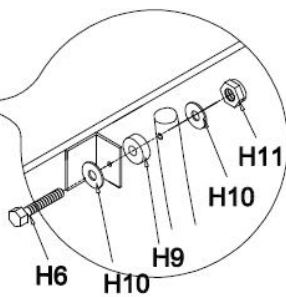
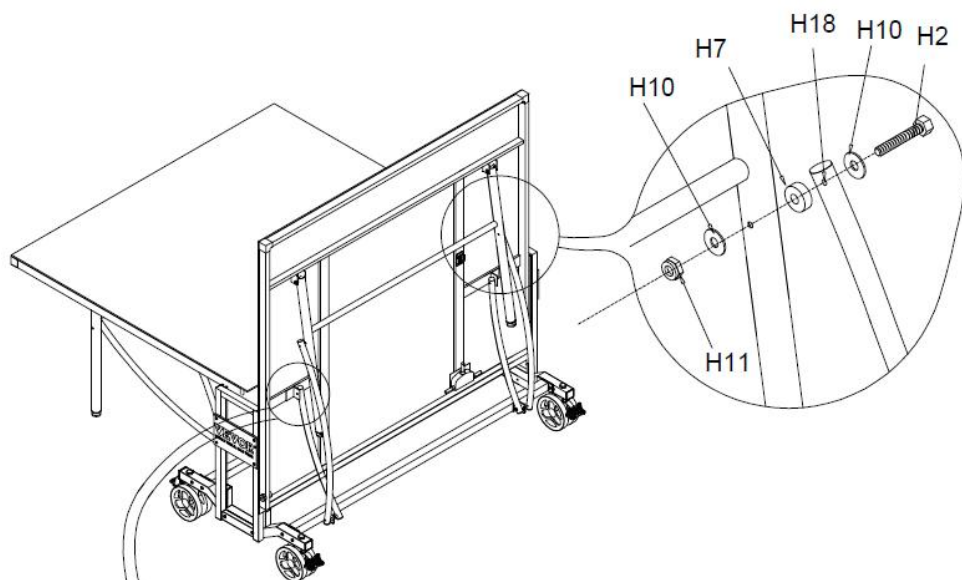


FIGURE 7

WARNING: TOW ADULTS NEEDED ASSEMBLE POOL TABLE





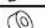
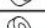



H2		x4
H6		x4
H7		x4
H9		x4
H10		x48
H11		x24
H18		x4

FIGURE 8

WARNING: TOW ADULTS NEEDED ASSEMBLE POOL TABLE

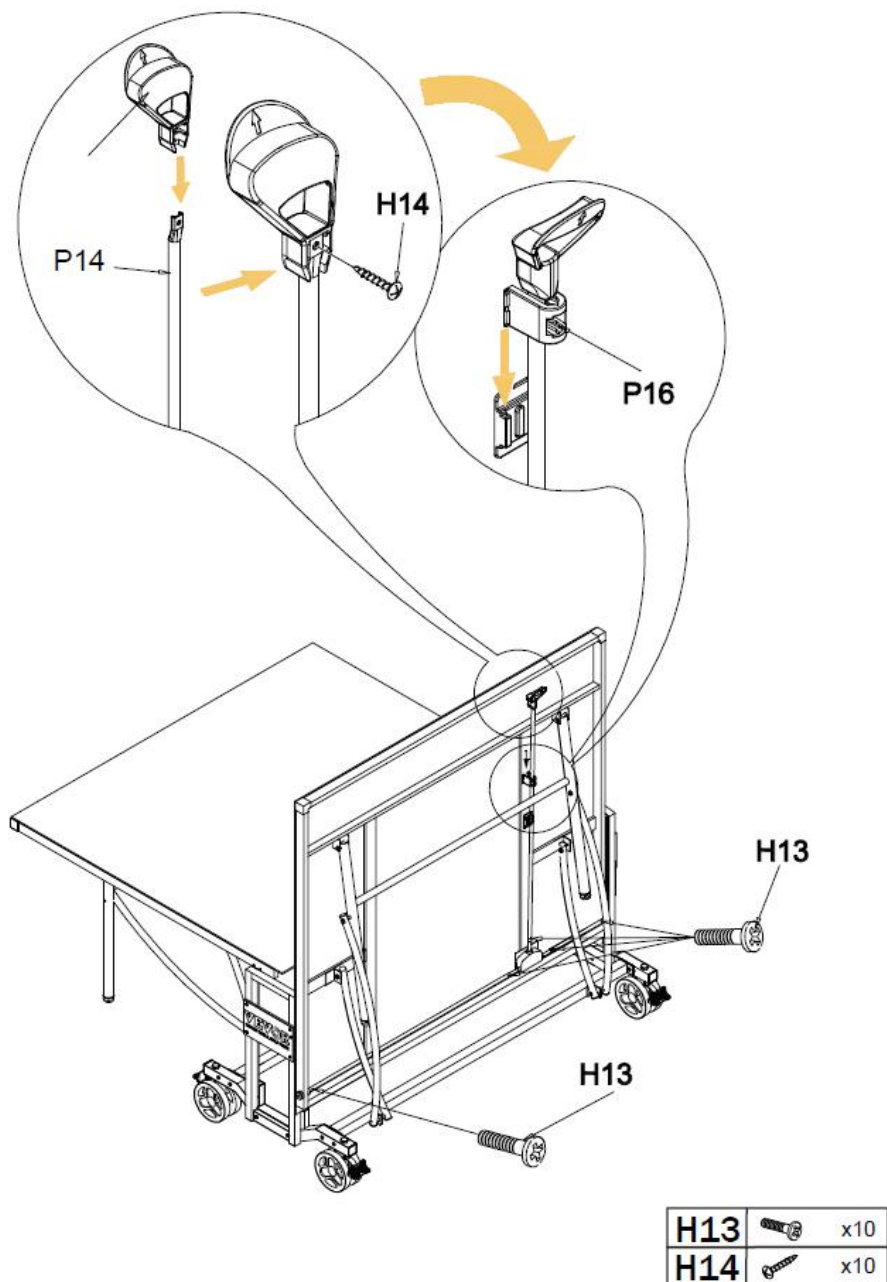
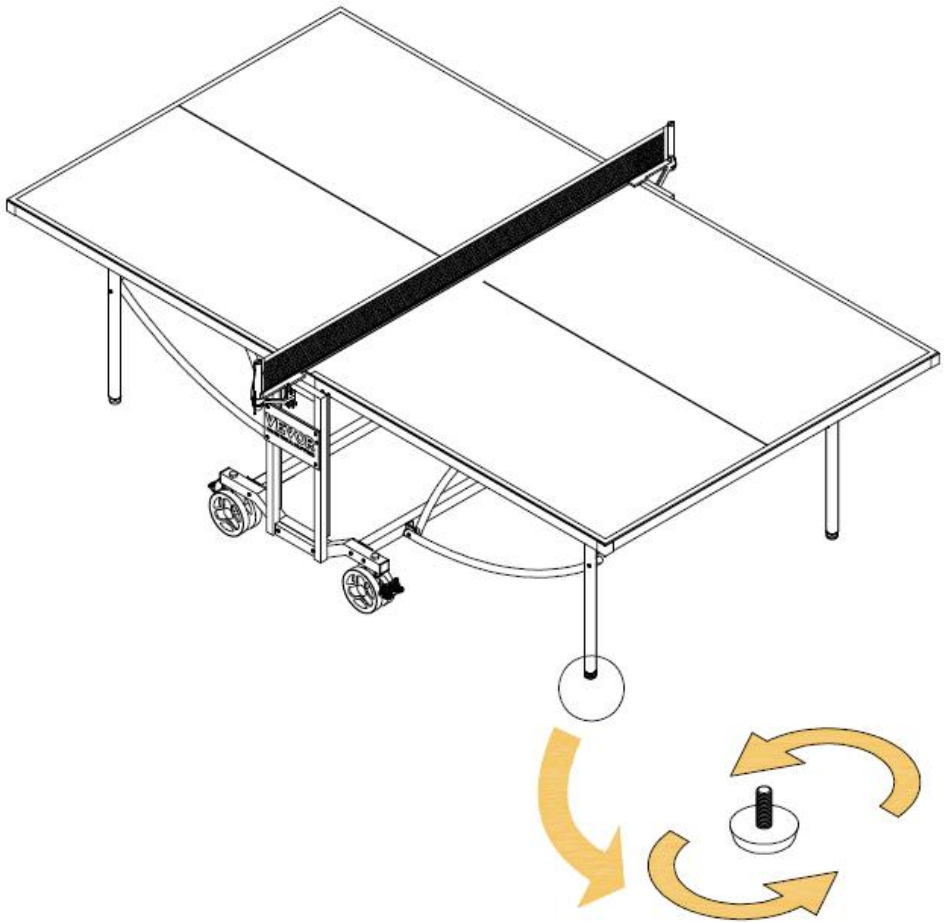


FIGURE 9

WARNING: TOW ADULTS NEEDED ASSEMBLE POOL TABLE

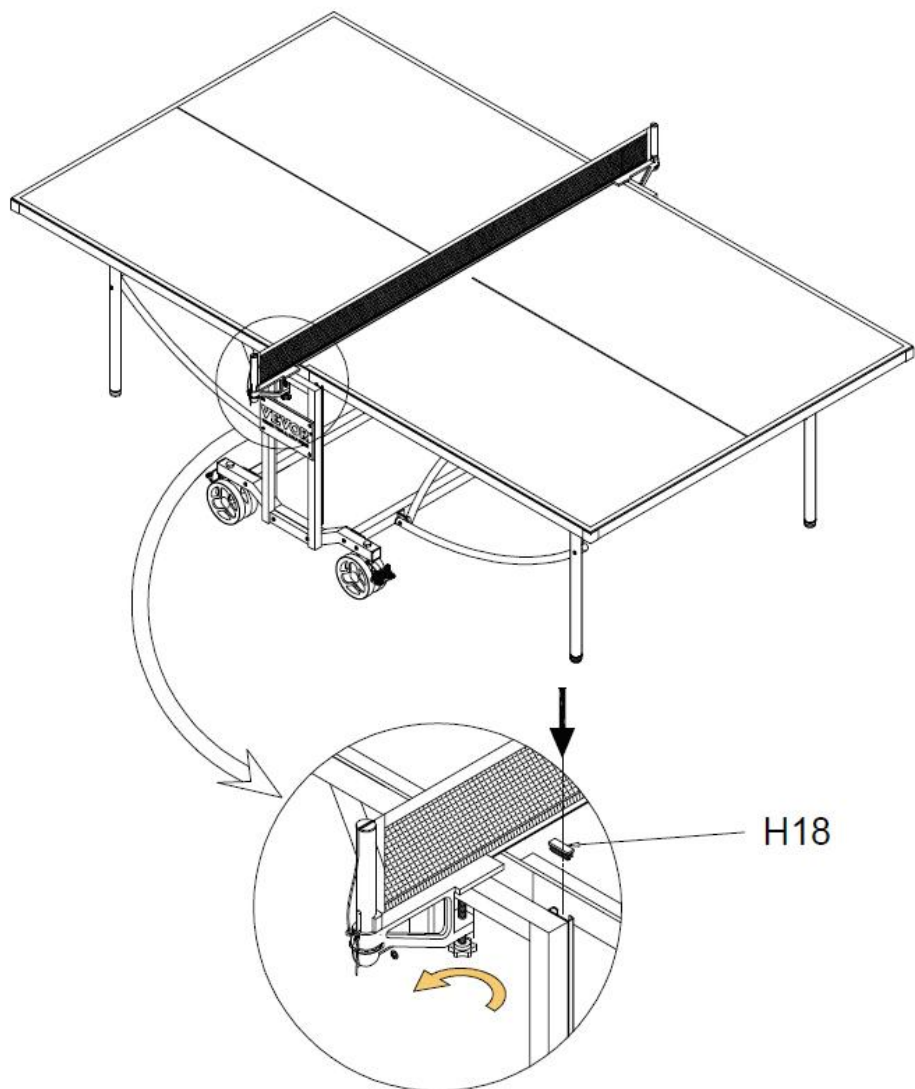


NOTE:

When you find that the ground is uneven, you can adjust the height through leg leveler

FIGURE 10

WARNING: TOW ADULTS NEEDED ASSEMBLE POOL TABLE



H18		x4
-----	---	----

Address: Shuangchenglu 803nong11hao1602A-1609shi, baoshanqu, shanghai 200000 CN.

Imported to AUS: SIHAO PTY LTD, 1 ROKEVA STREET EASTWOOD NSW 2122 Australia

Imported to USA: Sanven Technology Ltd., Suite 250, 9166 Anaheim Place, Rancho Cucamonga, CA 91730

EC	REP
-----------	------------

E-CrossStu GmbH
Mainzer Landstr.69, 60329 Frankfurt am Main.

UK	REP
-----------	------------

YH CONSULTING LIMITED.
C/O YH Consulting Limited Office 147, Centurion House,
London Road. Staines-upon-Thames. Surrey. TW18 4AX

VEVOR[®]

TOUGH TOOLS, HALF PRICE

Technical Support and E-Warranty Certificate

www.vevor.com/support

VEVOR[®]

TOUGH TOOLS, HALF PRICE

Technique Assistance et certificat de garantie électronique

www.vevor.com/support

TABLE DE PING-PONG EXTÉRIEURE

MODÈLE: VT003

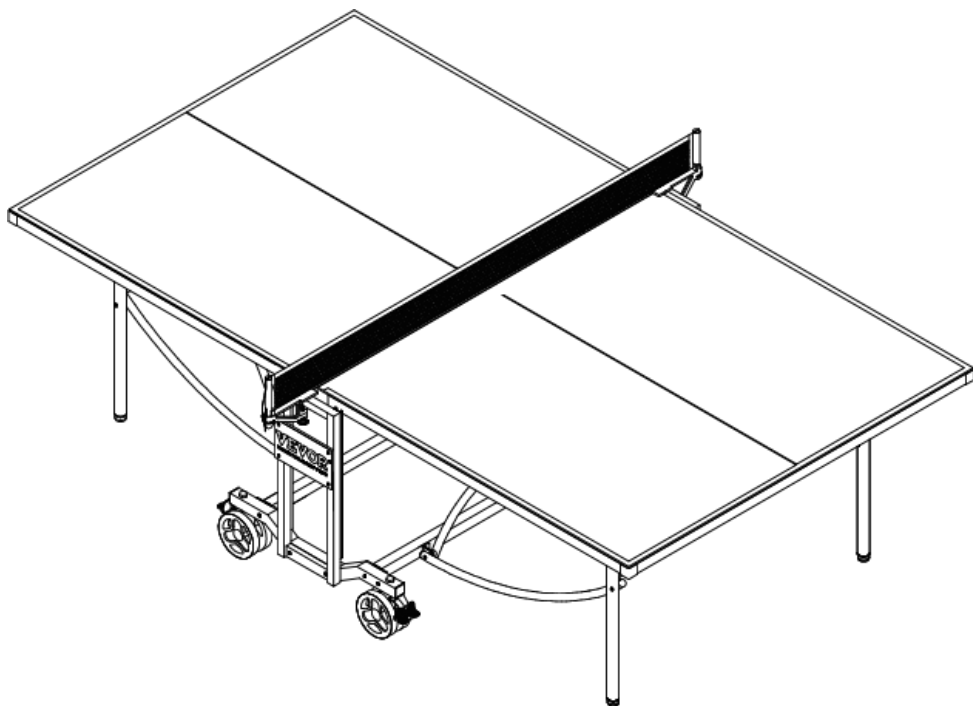
We continue to be committed to provide you tools with competitive price.

"Save Half", "Half Price" or any other similar expressions used by us only represents an estimate of savings you might benefit from buying certain tools with us compared to the major top brands and does not necessarily mean to cover all categories of tools offered by us. You are kindly reminded to verify carefully when you are placing an order with us if you are actually saving half in comparison with the top major brands.

VEVOR[®]

TOUGH TOOLS, HALF PRICE

OUTDOOR TABLE
TENNIS TABLE



NEED HELP? CONTACT US!

Have product questions? Need technical support? Please feel free to contact us:

Technical Support and E-Warranty Certificate
www.vevor.com/support

This is the original instruction, please read all manual instructions carefully before operating. VEVOR reserves a clear interpretation of our user manual. The appearance of the product shall be subject to the product you received. Please forgive us that we won't inform you again if there are any technology or software updates on our product.

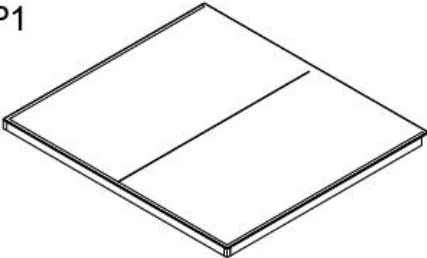



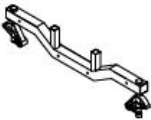













PRODUCT PARAMETERS

Modèle	Taille du produit (mm)	Lieu d'utilisation	Épaisseur du panneau
VT003	2740X1525X760	Extérieur	6mm




















Matériel de manutention et entretien

6. Assurez-vous que la table de ping-pong est entièrement et précisément assemblée avant utilisation.
7. La table ne doit pas être déplacée, assemblée ou rangée par des enfants sans la surveillance d'un adulte.
8. Installez la table sur une surface plane.
9. Ne le recouvrez pas de film plastique car de la condensation pourrait se former en dessous.
10. N'utilisez pas de matériaux corrosifs ou abrasifs pour nettoyer l'équipement car cela pourrait endommager les surfaces de la table. Dans la plupart des cas, un chiffon légèrement humide suffit .

PARTS IDENTIFIER

<p>P1</p>  <p>Table Tennis Top</p> <p>x2pcs</p>	<p>P2</p>  <p>Table Tennis Net</p> <p>x1pc</p>	<p>P3</p>  <p>Table Tennis Post</p> <p>x2pcs</p>
<p>P4</p>  <p>Connecti</p> <p>x2pcs</p>	<p>P5</p>  <p>Chassis</p> <p>x2pcs</p>	<p>P6</p>  <p>Side panel border</p> <p>x2pcs</p>
<p>P7</p>  <p>Poster board</p> <p>x2pcs</p>	<p>P8</p>  <p>Wheel</p> <p>x4set</p>	<p>P9</p>  <p>Wheel cover</p> <p>x8pcs</p>
<p>P10</p>  <p>P10B P10A</p> <p>Wheel brake pads</p> <p>x4set</p>	<p>P11</p>  <p>Sliding groove plastic screw</p> <p>x4set</p>	<p>P12</p>  <p>Circular tube</p> <p>x2pcs</p>
<p>P13</p>  <p>Circular tube</p> <p>x2pcs</p>	<p>P14</p>  <p>Circular tube</p> <p>x2pcs</p>	<p>P15</p>  <p>Handlebar</p> <p>x2pcs</p>
<p>P16</p>  <p>Plastic card slot</p> <p>x2pcs</p>	<p>P17</p>  <p>Circular tube</p> <p>x4pcs</p>	<p>P18</p>  <p>Circular tube</p> <p>x4pcs</p>

PARTS IDENTIFIER

<p>P19</p>  <p>Latch</p> <p style="text-align: right;">x4pcs</p>	<p>H1</p>  <p>M6x90 Bolt</p> <p style="text-align: right;">x4pcs</p>	<p>H2</p>  <p>M6x85 Bolt</p> <p style="text-align: right;">x4pcs</p>
<p>H3</p>  <p>M6x70 Bolt</p> <p style="text-align: right;">x4pcs</p>	<p>H4</p>  <p>M8x60 Bolt</p> <p style="text-align: right;">x4pcs</p>	<p>H5</p>  <p>M6x55 Bolt</p> <p style="text-align: right;">x8pcs</p>
<p>H6</p>  <p>M8x45 Bolt</p> <p style="text-align: right;">x4pcs</p>	<p>H7</p>  <p>M8*Ø16*8 Plastic washer</p> <p style="text-align: right;">x4pcs</p>	<p>H8</p>  <p>M8*Ø16*13 Plastic washer</p> <p style="text-align: right;">x8pcs</p>
<p>H9</p>  <p>M8*Ø16*4 Plastic washer</p> <p style="text-align: right;">x4pcs</p>	<p>H10</p>  <p>M6*Ø12*2 Plastic washer</p> <p style="text-align: right;">x48pcs</p>	<p>H11</p>  <p>M6 Lock Nut</p> <p style="text-align: right;">x24pcs</p>
<p>H12</p>  <p>M8 Lock Nut</p> <p style="text-align: right;">x4pcs</p>	<p>H13</p>  <p>M3*8 Screw</p> <p style="text-align: right;">x10pcs</p>	<p>H14</p>  <p>4x25mm Screw</p> <p style="text-align: right;">x10pcs</p>
<p>H15</p>  <p>M6L Tool</p> <p style="text-align: right;">x1pc</p>	<p>H16</p>  <p>M4L Tool</p> <p style="text-align: right;">x1pc</p>	<p>H17</p>  <p>Open end wrench</p> <p style="text-align: right;">x2pcs</p>
<p>H18</p>  <p>Plastic cover</p> <p style="text-align: right;">x4pcs</p>		

Product breakdown diagram

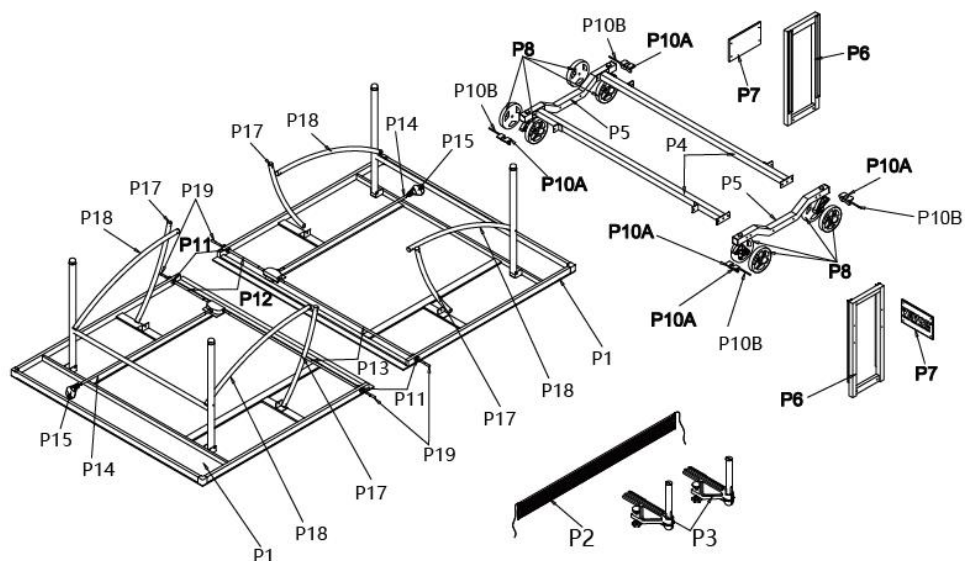


FIGURE 1

AVERTISSEMENT : DES ADULTES DE REMORQUAGE NÉCESSAIRES ASSEMBLENT LA TABLE DE BILLARD

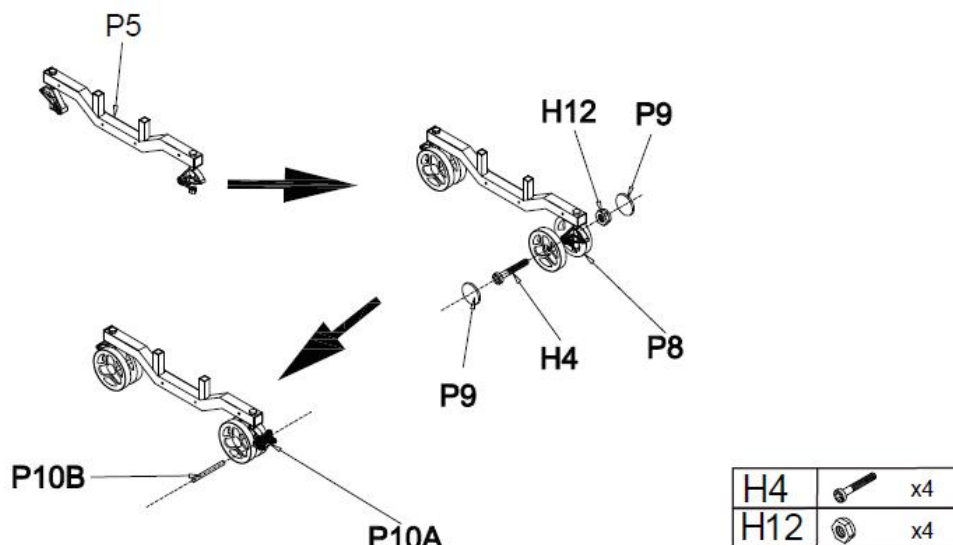


FIGURE 2

AVERTISSEMENT : DES ADULTES DE REMORQUAGE NÉCESSAIRES
ASSEMBLENT LA TABLE DE BILLARD

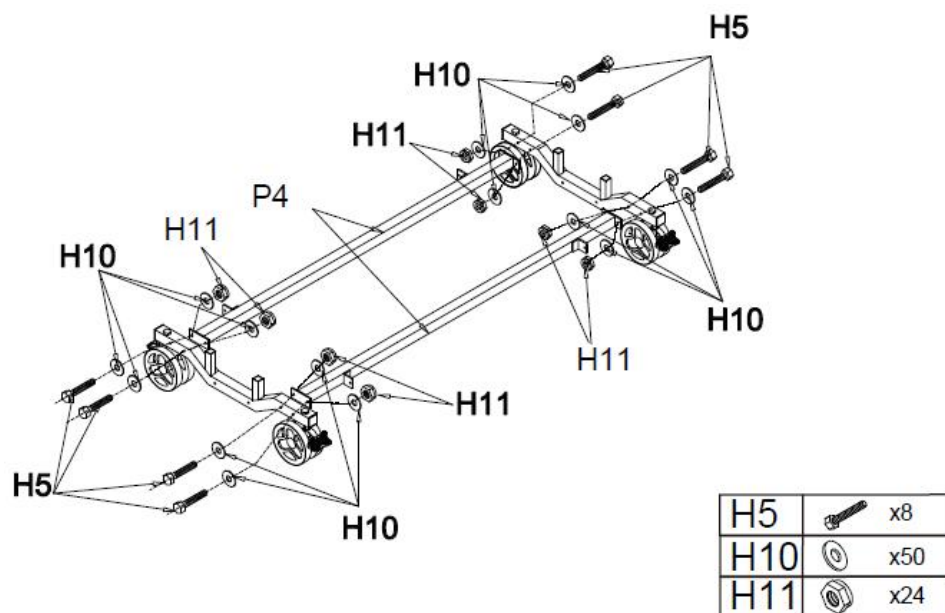


FIGURE 3

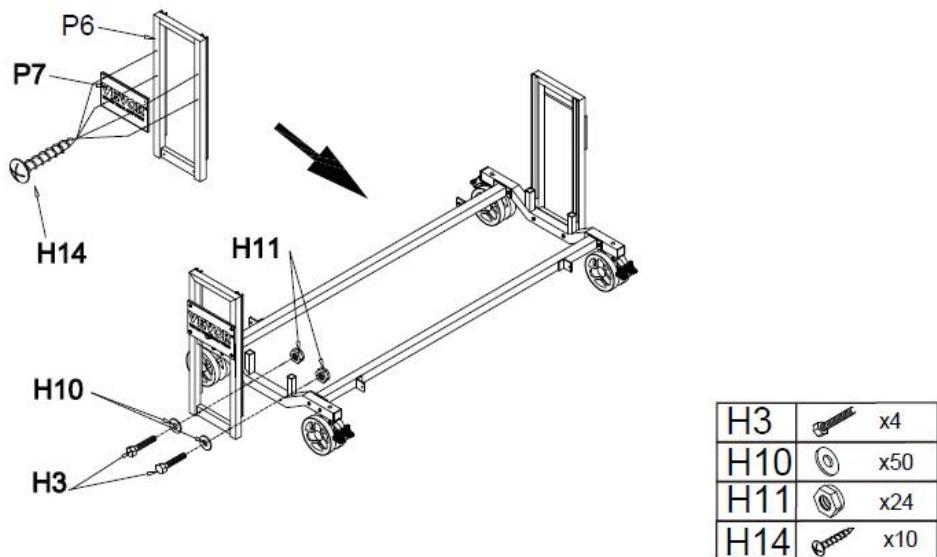


FIGURE 4

**AVERTISSEMENT : DES ADULTES DE REMORQUAGE NÉCESSAIRES
ASSEMBLENT LA TABLE DE BILLARD**

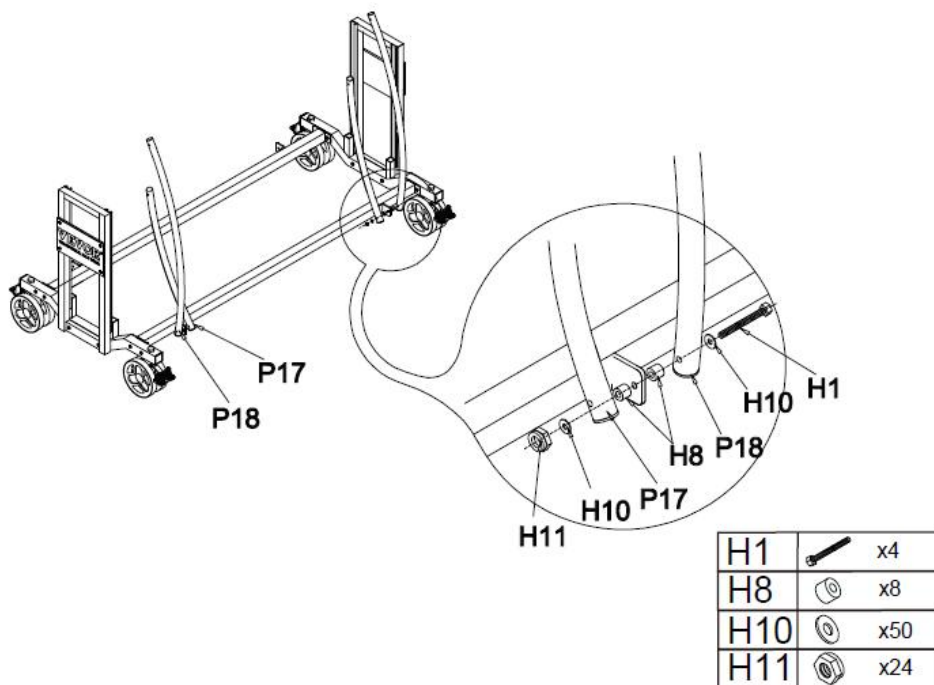


FIGURE 5

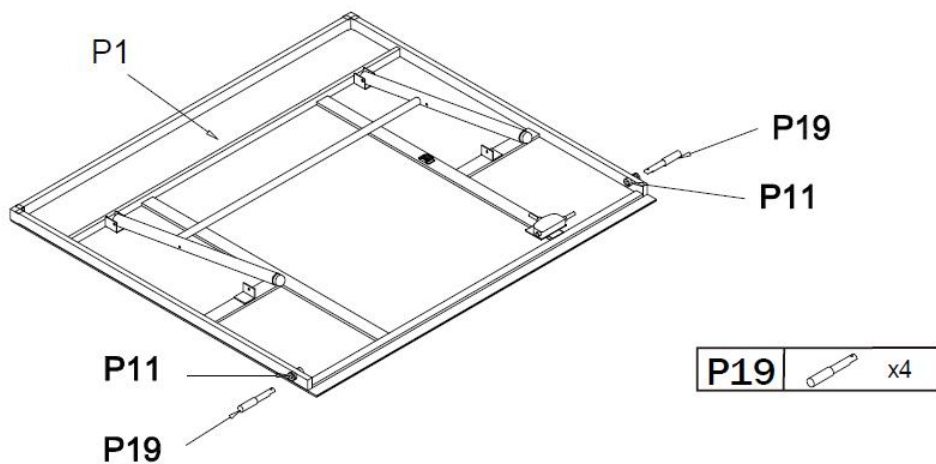


FIGURE 6

AVERTISSEMENT : DES ADULTES DE REMORQUAGE NÉCESSAIRES

ASSEMBLENT LA TABLE DE BILLARD

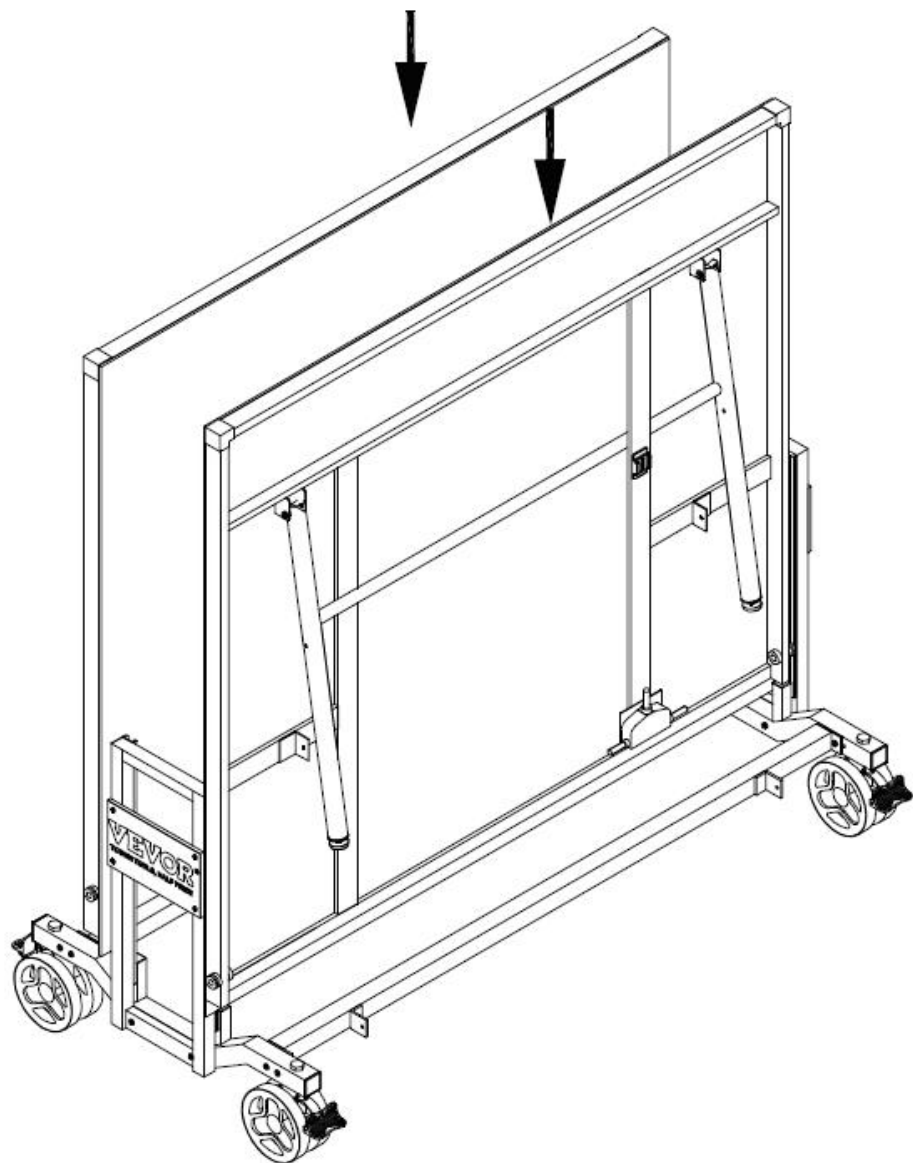
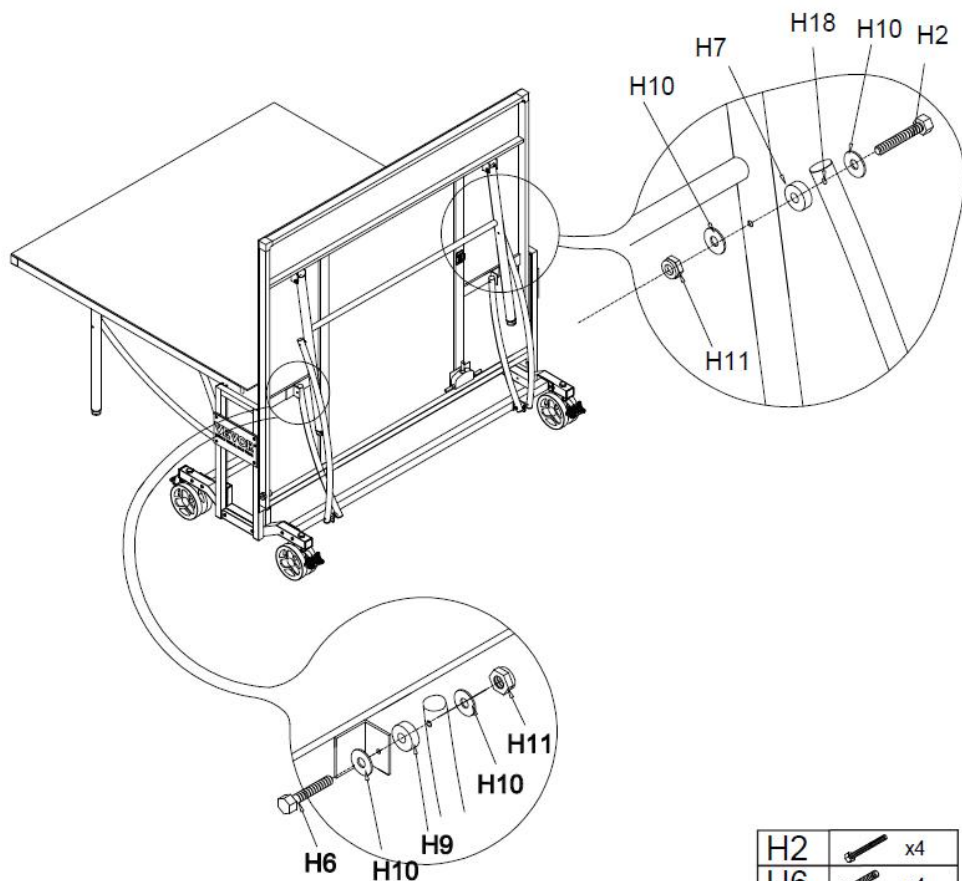


FIGURE 7

AVERTISSEMENT : DES ADULTES DE REMORQUAGE NÉCESSAIRES
 ASSEMBLENT LA TABLE DE BILLARD



H2		x4
H6		x4
H7		x4
H9		x4
H10		x48
H11		x24
H18		x4

FIGURE 8

AVERTISSEMENT : DES ADULTES DE REMORQUAGE NÉCESSAIRES
ASSEMBLENT LA TABLE DE BILLARD

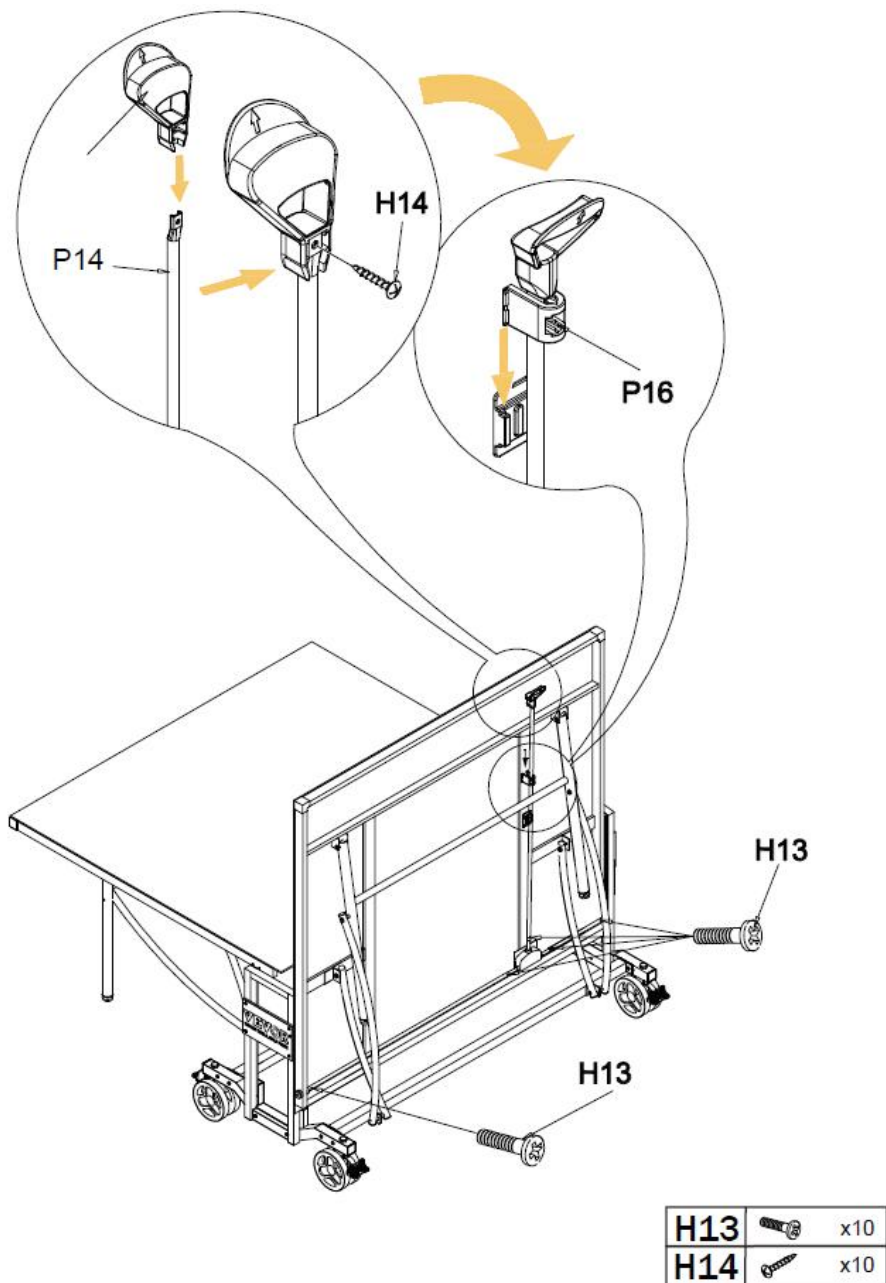


FIGURE 9

AVERTISSEMENT : DES ADULTES DE REMORQUAGE NÉCESSAIRES

ASSEMBLENT LA TABLE DE BILLARD



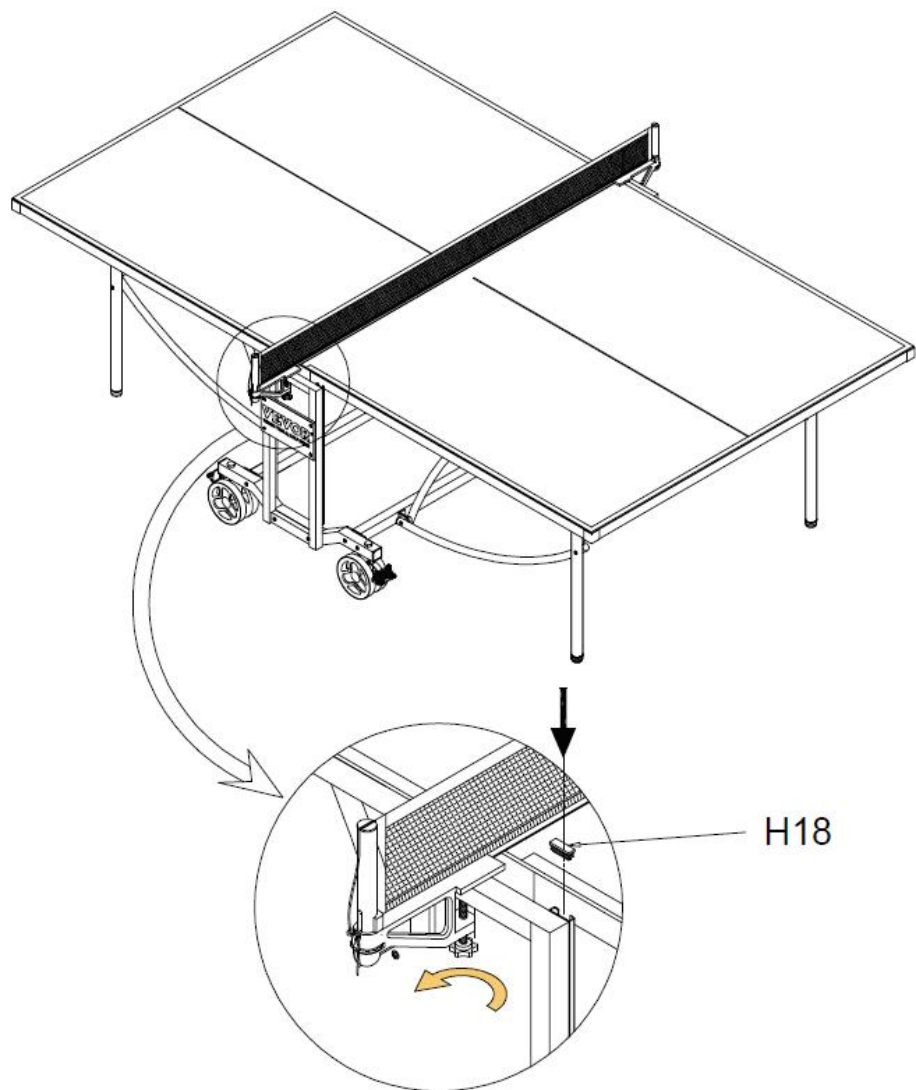
NOTE:

Lorsque vous constatez que le sol est inégal, vous pouvez régler la hauteur grâce au niveleur de pieds.

FIGURE 10

AVERTISSEMENT : DES ADULTES DE REMORQUAGE NÉCESSAIRES

ASSEMBLENT LA TABLE DE BILLARD



H18		x4
-----	---	----

Adresse : Shuangchenglu 803nong11hao1602A-1609shi, baoshanqu, Shanghai 200000 CN.

Importé en Australie : SIHAO PTY LTD, 1 ROKEVA STREETASTWOOD NSW 2122 Australie

Importé aux États-Unis : Sanven Technology Ltd., Suite 250, 9166 Anaheim Place, Rancho Cucamonga, CA 91730

EC	REP
-----------	------------

E-CrossStu GmbH
Mainzer Landstr.69, 60329 Frankfurt am Main.

UK	REP
-----------	------------

YH CONSULTING LIMITED.
C/O YH Consulting Limited Office 147, Centurion House,
London Road. Staines-upon-Thames. Surrey. TW18 4AX

VEVOR[®]

TOUGH TOOLS, HALF PRICE

Technique Assistance et certificat de garantie électronique

www.vevor.com/support

VEVOR[®]

TOUGH TOOLS, HALF PRICE

Technisch Support und E-Garantie-Zertifikat

www.vevor.com/support

TISCHTENNISPLATTE FÜR DRAUßEN

MODELL: VT003

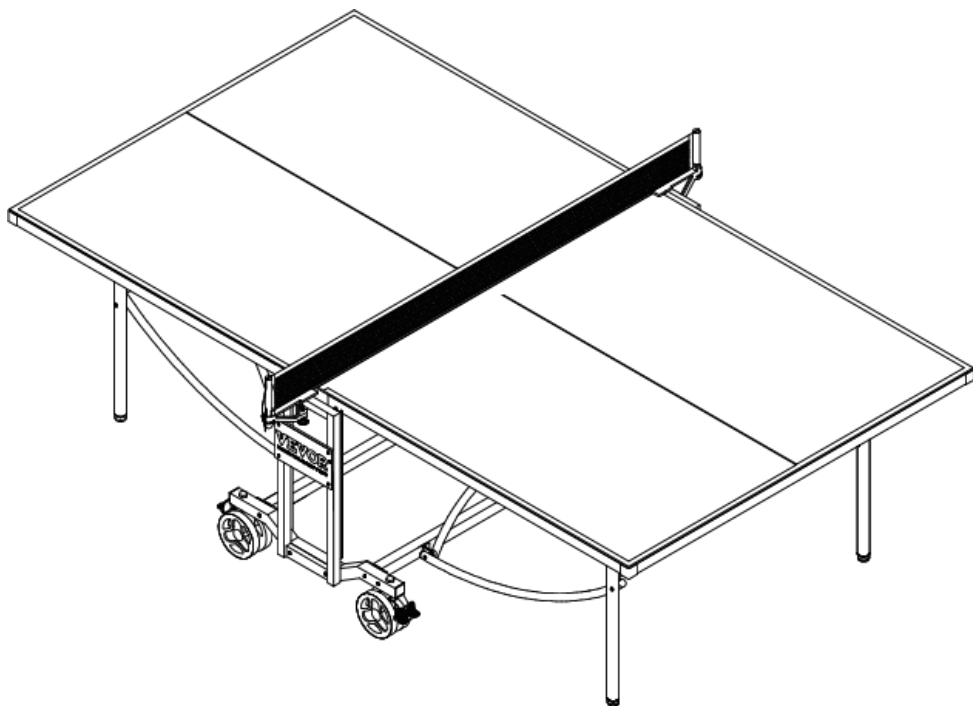
We continue to be committed to provide you tools with competitive price.

"Save Half", "Half Price" or any other similar expressions used by us only represents an estimate of savings you might benefit from buying certain tools with us compared to the major top brands and does not necessarily mean to cover all categories of tools offered by us. You are kindly reminded to verify carefully when you are placing an order with us if you are actually saving half in comparison with the top major brands.

VEVOR®

TOUGH TOOLS, HALF PRICE

OUTDOOR TABLE
TENNIS TABLE



NEED HELP? CONTACT US!

Have product questions? Need technical support? Please feel free to contact us:

Technical Support and E-Warranty Certificate
www.vevor.com/support

This is the original instruction, please read all manual instructions carefully before operating. VEVOR reserves a clear interpretation of our user manual. The appearance of the product shall be subject to the product you received. Please forgive us that we won't inform you again if there are any technology or software updates on our product.

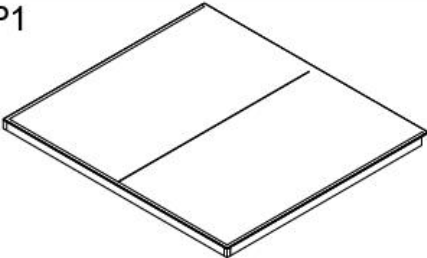



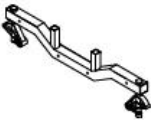













PRODUCT PARAMETERS

Modell	Produktgröße (mm)	Einsatzort	Plattendicke
VT003	2740X1525X760	Draussen	6 mm




















Handhabungsgeräte und Wartung

11. Stellen Sie vor der Verwendung sicher, dass die Tischtennisplatte vollständig und sorgfältig zusammengebaut ist.
12. Der Tisch darf von Kindern nicht ohne Aufsicht eines Erwachsenen bewegt, zusammengebaut oder verstaut werden.
13. Stellen Sie den Tisch auf eine ebene Fläche.
14. Decken Sie es nicht mit Plastikfolie ab, da sich darunter Kondenswasser bilden kann.
15. Verwenden Sie zum Reinigen des Geräts keine ätzenden oder scheuernden Mittel, da diese die Tischoberflächen beschädigen können. In den meisten Fällen reicht ein leicht angefeuchtetes Tuch aus .

PARTS IDENTIFIER

<p>P1</p>  <p>Table Tennis Top</p> <p>x2pcs</p>	<p>P2</p>  <p>Table Tennis Net</p> <p>x1pc</p>	<p>P3</p>  <p>Table Tennis Post</p> <p>x2pcs</p>
<p>P4</p>  <p>Connecti</p> <p>x2pcs</p>	<p>P5</p>  <p>Chassis</p> <p>x2pcs</p>	<p>P6</p>  <p>Side panel border</p> <p>x2pcs</p>
<p>P7</p>  <p>Poster board</p> <p>x2pcs</p>	<p>P8</p>  <p>Wheel</p> <p>x4set</p>	<p>P9</p>  <p>Wheel cover</p> <p>x8pcs</p>
<p>P10</p>  <p>P10B P10A</p> <p>Wheel brake pads</p> <p>x4set</p>	<p>P11</p>  <p>Sliding groove plastic screw</p> <p>x4set</p>	<p>P12</p>  <p>Circular tube</p> <p>x2pcs</p>
<p>P13</p>  <p>Circular tube</p> <p>x2pcs</p>	<p>P14</p>  <p>Circular tube</p> <p>x2pcs</p>	<p>P15</p>  <p>Handlebar</p> <p>x2pcs</p>
<p>P16</p>  <p>Plastic card slot</p> <p>x2pcs</p>	<p>P17</p>  <p>Circular tube</p> <p>x4pcs</p>	<p>P18</p>  <p>Circular tube</p> <p>x4pcs</p>

PARTS IDENTIFIER

<p>P19</p>  <p>Latch</p> <p style="text-align: right;">x4pcs</p>	<p>H1</p>  <p>M6x90 Bolt</p> <p style="text-align: right;">x4pcs</p>	<p>H2</p>  <p>M6x85 Bolt</p> <p style="text-align: right;">x4pcs</p>
<p>H3</p>  <p>M6x70 Bolt</p> <p style="text-align: right;">x4pcs</p>	<p>H4</p>  <p>M8x60 Bolt</p> <p style="text-align: right;">x4pcs</p>	<p>H5</p>  <p>M6x55 Bolt</p> <p style="text-align: right;">x8pcs</p>
<p>H6</p>  <p>M8x45 Bolt</p> <p style="text-align: right;">x4pcs</p>	<p>H7</p>  <p>M8*Ø16*8 Plastic washer</p> <p style="text-align: right;">x4pcs</p>	<p>H8</p>  <p>M8*Ø16*13 Plastic washer</p> <p style="text-align: right;">x8pcs</p>
<p>H9</p>  <p>M8*Ø16*4 Plastic washer</p> <p style="text-align: right;">x4pcs</p>	<p>H10</p>  <p>M6*Ø12*2 Plastic washer</p> <p style="text-align: right;">x48pcs</p>	<p>H11</p>  <p>M6 Lock Nut</p> <p style="text-align: right;">x24pcs</p>
<p>H12</p>  <p>M8 Lock Nut</p> <p style="text-align: right;">x4pcs</p>	<p>H13</p>  <p>M3*8 Screw</p> <p style="text-align: right;">x10pcs</p>	<p>H14</p>  <p>4x25mm Screw</p> <p style="text-align: right;">x10pcs</p>
<p>H15</p>  <p>M6L Tool</p> <p style="text-align: right;">x1pc</p>	<p>H16</p>  <p>M4L Tool</p> <p style="text-align: right;">x1pc</p>	<p>H17</p>  <p>Open end wrench</p> <p style="text-align: right;">x2pcs</p>
<p>H18</p>  <p>Plastic cover</p> <p style="text-align: right;">x4pcs</p>		

Product breakdown diagram

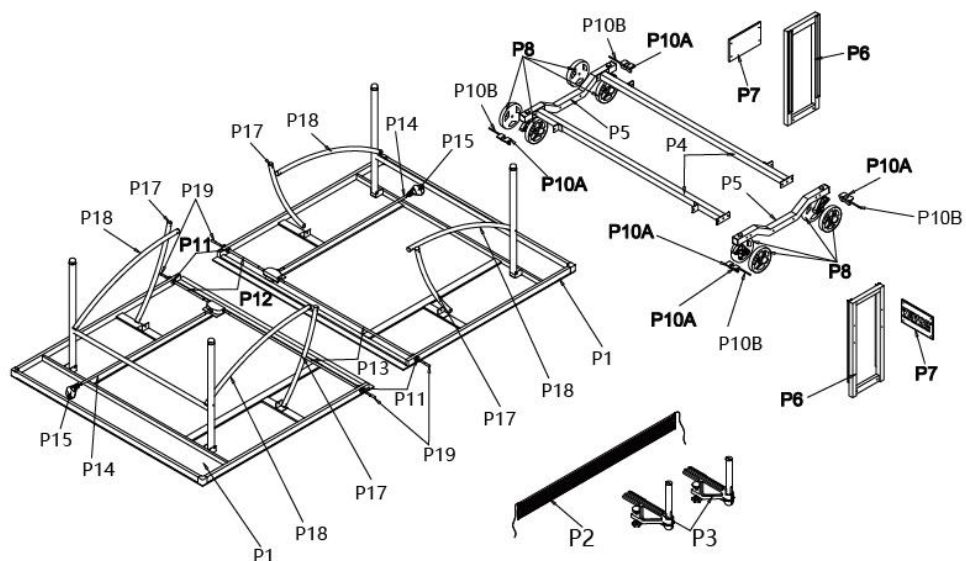


FIGURE 1

ACHTUNG: ZUM AUFBAU DES BILLARDTISCHES WERDEN ZWEI ERWACHSENE BENÖTIGT

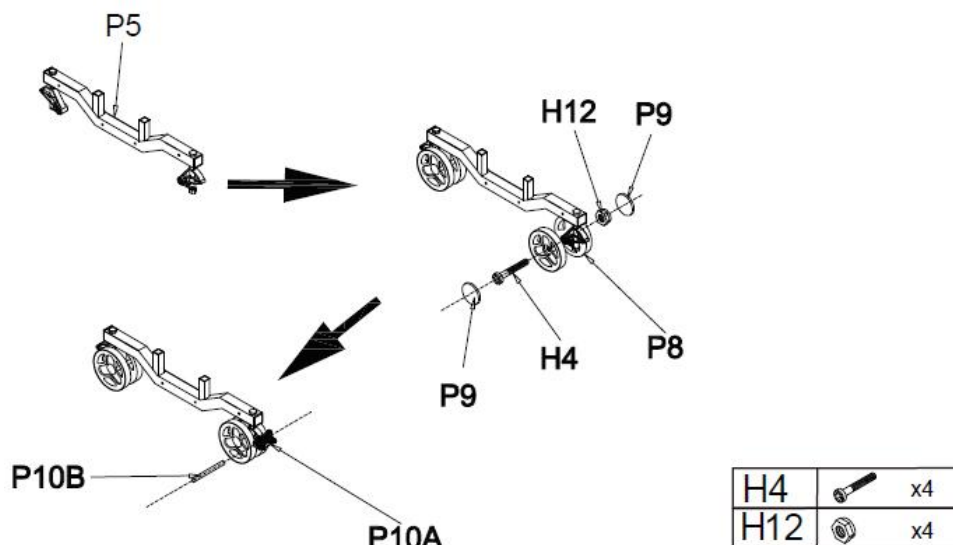


FIGURE 2

ACHTUNG: ZUM AUFBAU DES BILLARDTISCHES WERDEN ZWEI ERWACHSENE BENÖTIGT

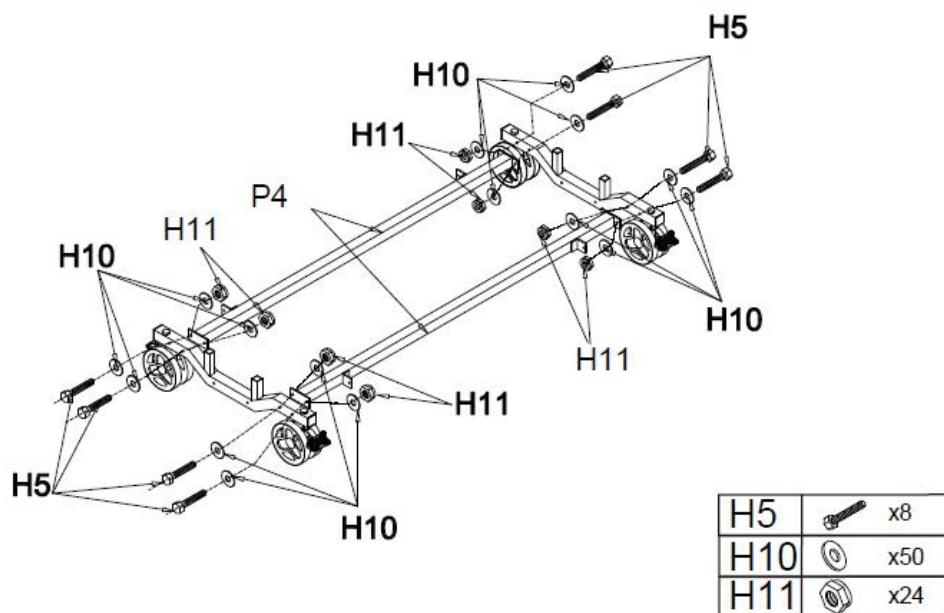


FIGURE 3

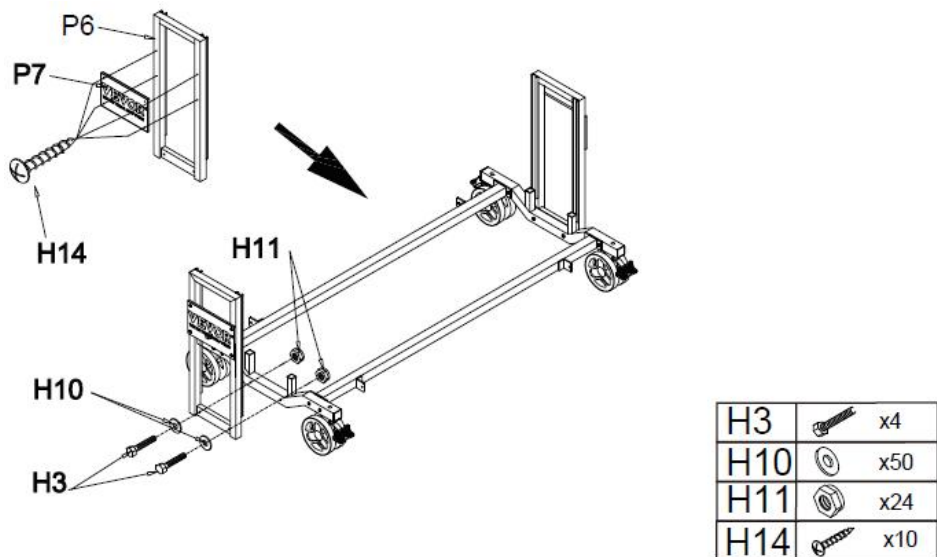


FIGURE 4

ACHTUNG: ZUM AUFBAU DES BILLARDTISCHES WERDEN ZWEI ERWACHSENE BENÖTIGT

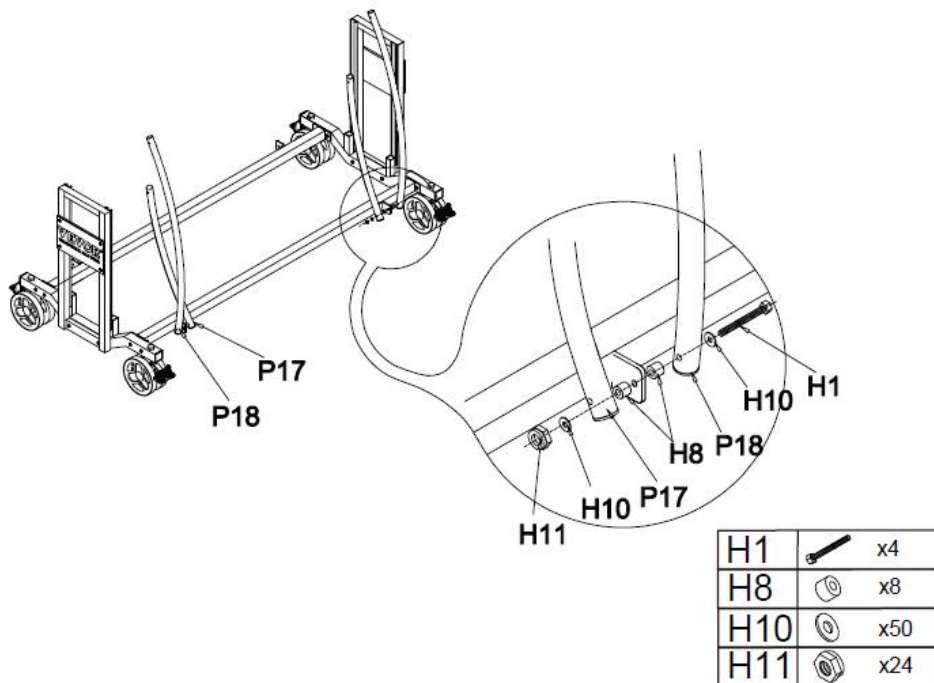


FIGURE 5

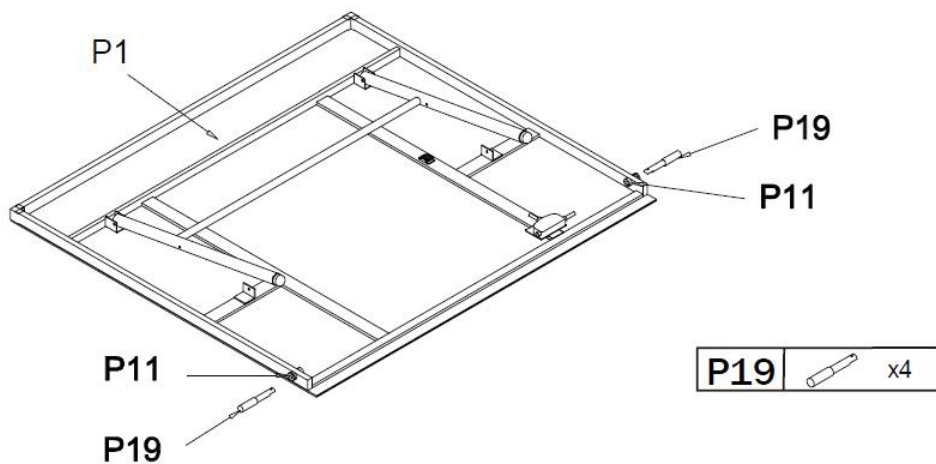


FIGURE 6

ACHTUNG: ZUM AUFBAU DES BILLARDTISCHES WERDEN ZWEI

ERWACHSENE BENÖTIGT

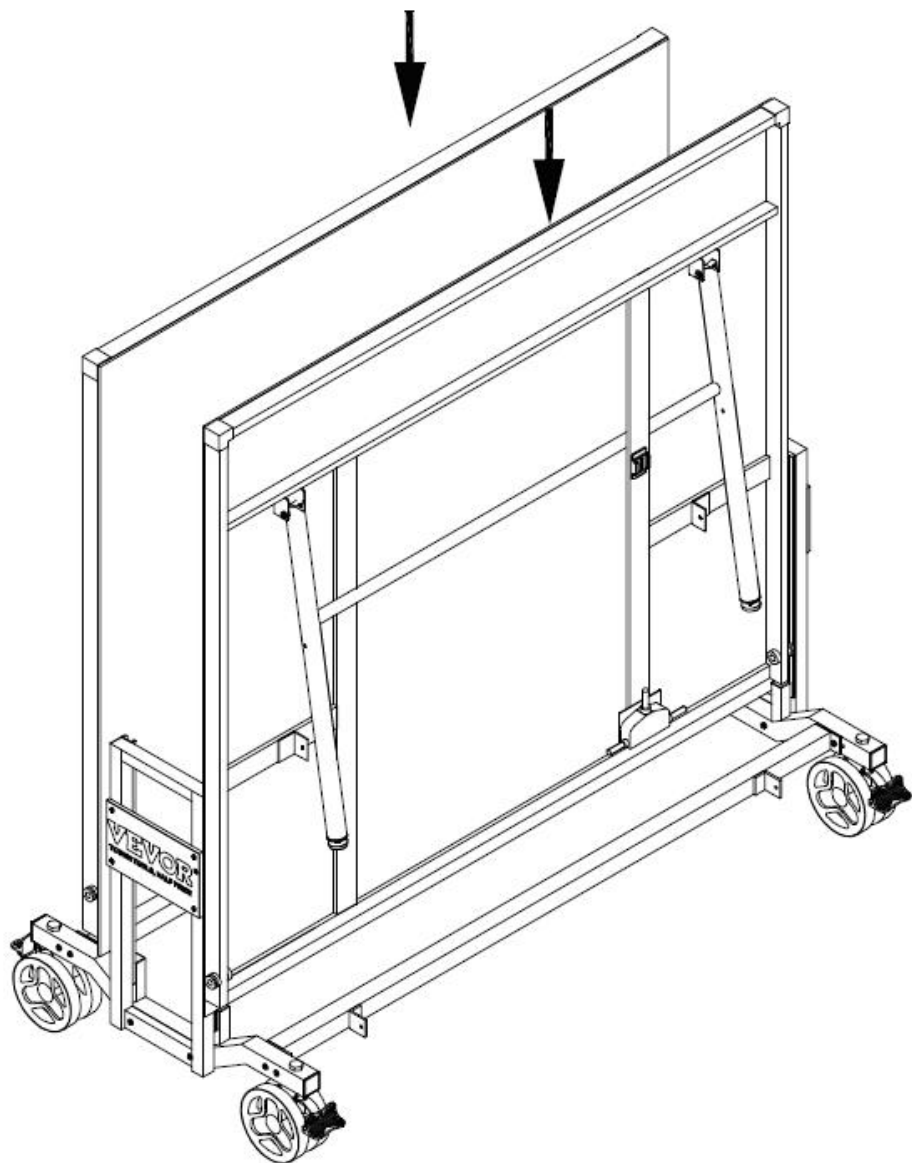
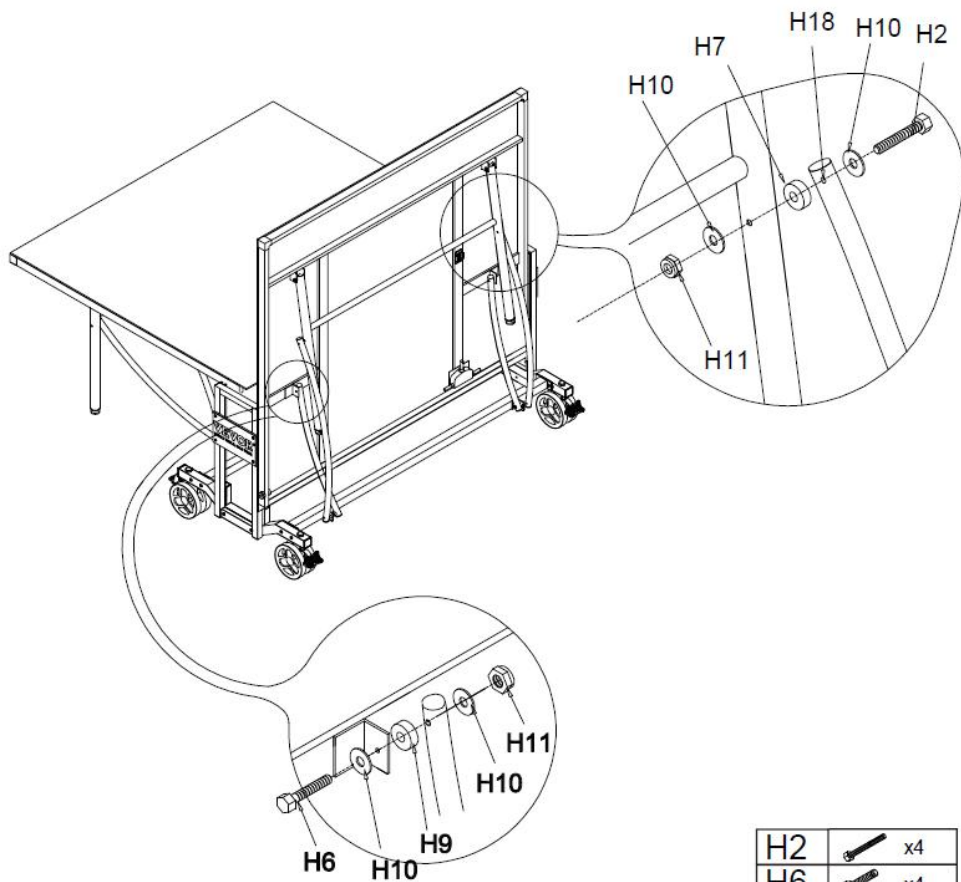


FIGURE 7

ACHTUNG: ZUM AUFBAU DES BILLARDTISCHES WERDEN ZWEI
ERWACHSENE BENÖTIGT







H2		x4
H6		x4
H7		x4
H9		x4
H10		x48
H11		x24
H18		x4

FIGURE 8

ACHTUNG: ZUM AUFBAU DES BILLARDTISCHES WERDEN ZWEI ERWACHSENE BENÖTIGT

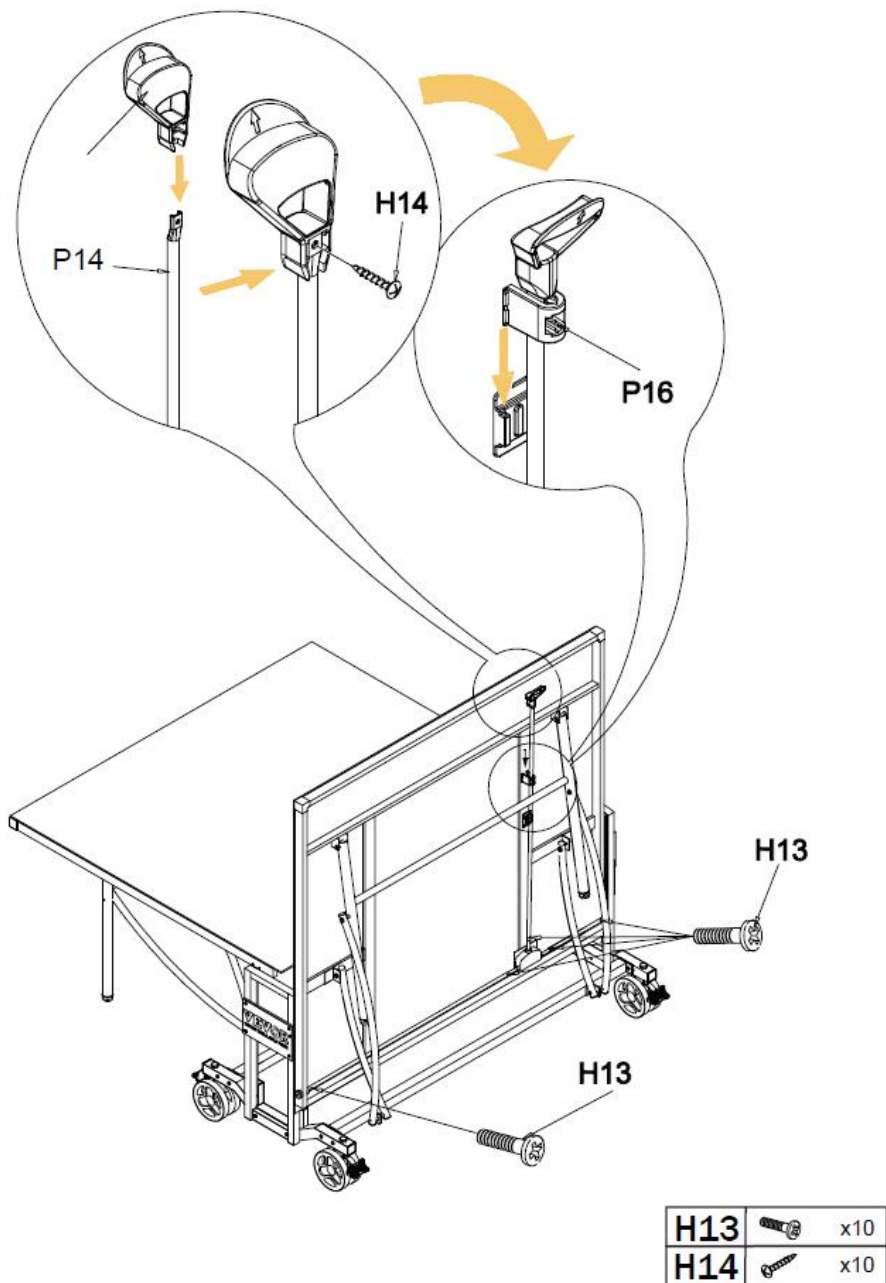
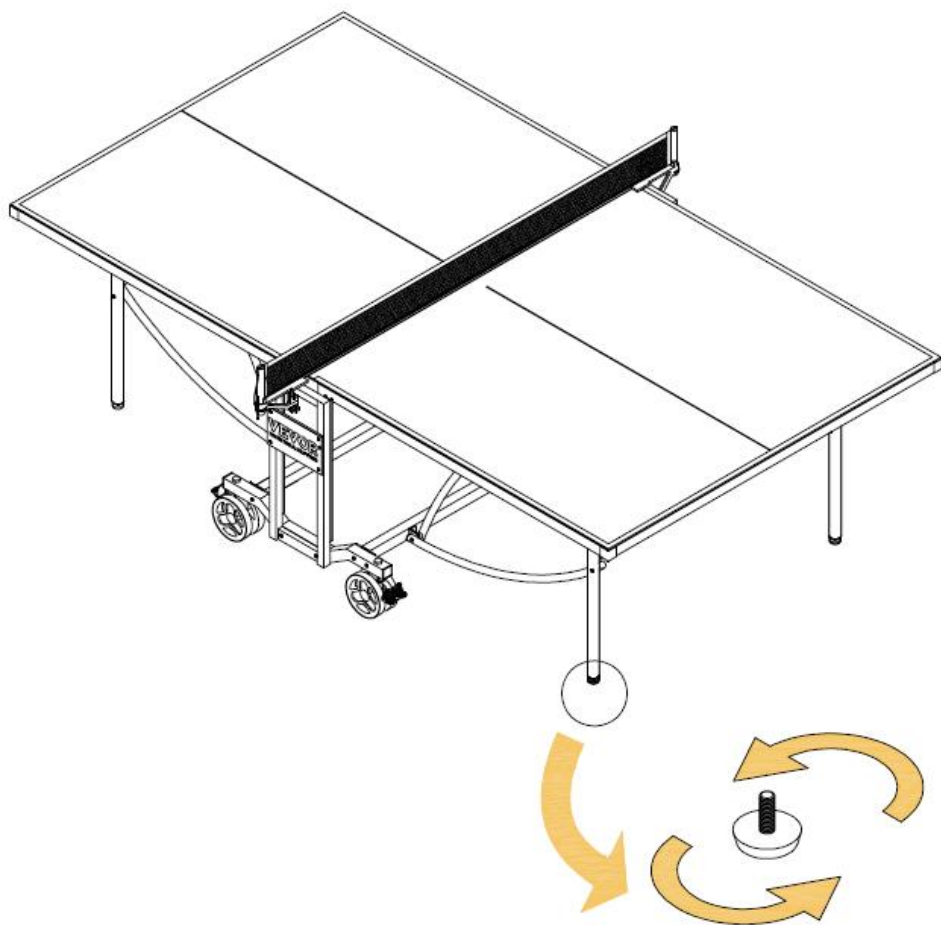


FIGURE 9

ACHTUNG: ZUM AUFBAU DES BILLARDTISCHES WERDEN ZWEI

ERWACHSENE BENÖTIGT



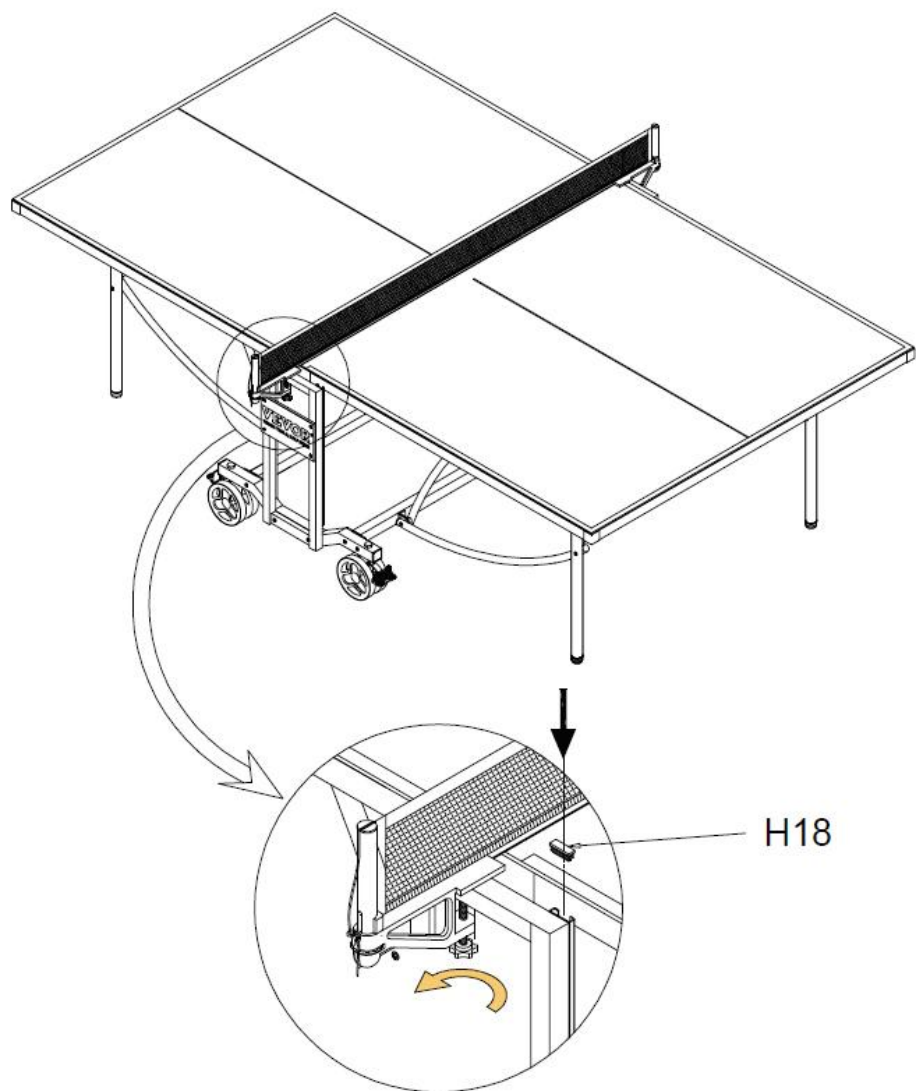
NOTIZ:

Wenn Sie feststellen, dass der Boden uneben ist, können Sie die Höhe mit dem Beinnivellierer anpassen

FIGURE 10

ACHTUNG: ZUM AUFBAU DES BILLARDTISCHES WERDEN ZWEI

ERWACHSENE BENÖTIGT



H18		x4
-----	---	----

Adresse : Shuangchenglu 803nong11hao1602A-1609shi, Baoshanqu, Shanghai 200000 CN.

Nach AUS importiert: SIHAO PTY LTD, 1 ROKEVA
STREETEASTWOOD NSW 2122 Australien

Importiert in die USA: Sanven Technology Ltd., Suite 250, 9166 Anaheim Place, Rancho Cucamonga, CA 91730

EC	REP
-----------	------------

E-CrossStu GmbH
Mainzer Landstr.69, 60329 Frankfurt am Main.

UK	REP
-----------	------------

YH CONSULTING LIMITED.
C/O YH Consulting Limited Office 147, Centurion House,
London Road. Staines-upon-Thames. Surrey. TW18 4AX

VEVOR[®]

TOUGH TOOLS, HALF PRICE

Technisch Support und E-Garantie-Zertifikat

www.vevor.com/support

VEVOR[®]

TOUGH TOOLS, HALF PRICE

Tecnico Supporto e certificato di garanzia elettronica

www.vevor.com/support

TAVOLO DA PING PONG ALL'APERTO

MODELLO: VT003

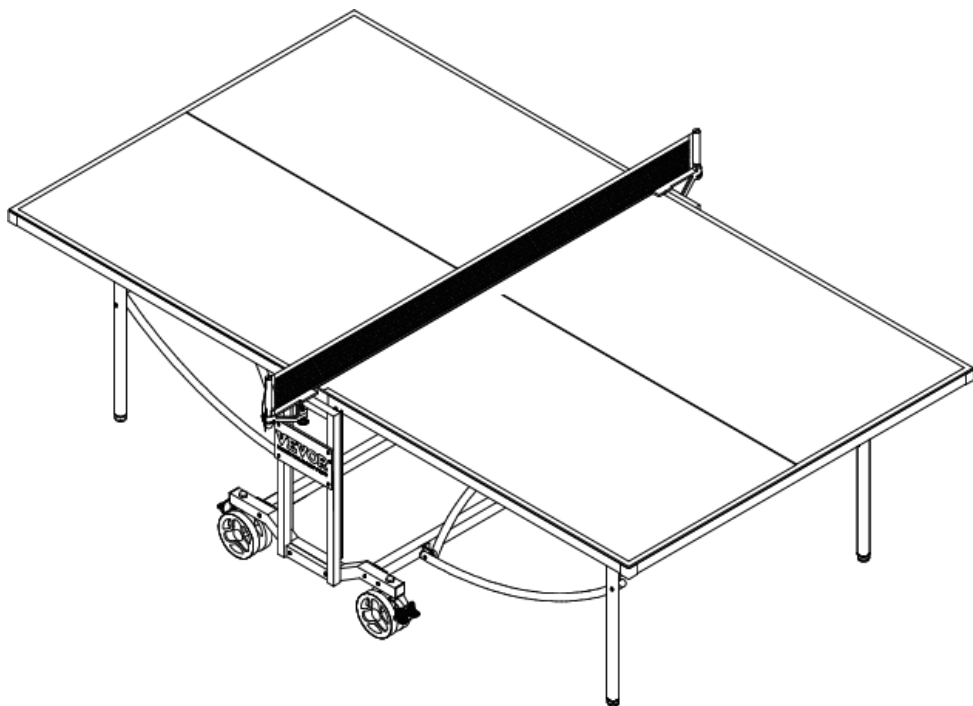
We continue to be committed to provide you tools with competitive price.

"Save Half", "Half Price" or any other similar expressions used by us only represents an estimate of savings you might benefit from buying certain tools with us compared to the major top brands and does not necessarily mean to cover all categories of tools offered by us. You are kindly reminded to verify carefully when you are placing an order with us if you are actually saving half in comparison with the top major brands.

VEVOR[®]

TOUGH TOOLS, HALF PRICE

OUTDOOR TABLE
TENNIS TABLE



NEED HELP? CONTACT US!

Have product questions? Need technical support? Please feel free to contact us:

Technical Support and E-Warranty Certificate
www.vevor.com/support

This is the original instruction, please read all manual instructions carefully before operating. VEVOR reserves a clear interpretation of our user manual. The appearance of the product shall be subject to the product you received. Please forgive us that we won't inform you again if there are any technology or software updates on our product.

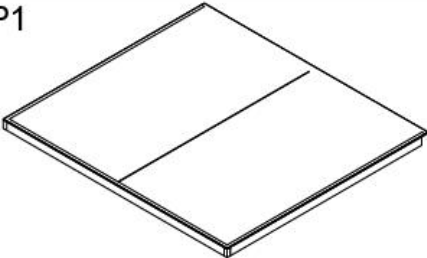



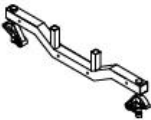













PRODUCT PARAMETERS

Modello	Taglia del prodotto (mm)	Luogo di utilizzo	Spessore del pannello
VT003	2740X1525X760	All'aperto	6 mm




















Attrezzature per la movimentazione e manutenzione

16. Assicurarsi che il tavolo da ping pong sia completamente e accuratamente assemblato prima dell'uso.
17. Il tavolo non deve essere spostato, montato o riposto dai bambini senza la supervisione di un adulto.
18. Posiziona il tavolo su una superficie piana.
19. Non coprirlo con pellicola di plastica perché sotto di esso potrebbe formarsi della condensa.
20. Non utilizzare materiali corrosivi o abrasivi per pulire l'attrezzatura poiché potrebbero danneggiare le superfici del tavolo. Nella maggior parte dei casi è sufficiente un panno leggermente inumidito .

PARTS IDENTIFIER

<p>P1</p>  <p>Table Tennis Top</p> <p>x2pcs</p>	<p>P2</p>  <p>Table Tennis Net</p> <p>x1pc</p>	<p>P3</p>  <p>Table Tennis Post</p> <p>x2pcs</p>
<p>P4</p>  <p>Connecti</p> <p>x2pcs</p>	<p>P5</p>  <p>Chassis</p> <p>x2pcs</p>	<p>P6</p>  <p>Side panel border</p> <p>x2pcs</p>
<p>P7</p>  <p>Poster board</p> <p>x2pcs</p>	<p>P8</p>  <p>Wheel</p> <p>x4set</p>	<p>P9</p>  <p>Wheel cover</p> <p>x8pcs</p>
<p>P10</p>  <p>P10B P10A</p> <p>Wheel brake pads</p> <p>x4set</p>	<p>P11</p>  <p>Sliding groove plastic screw</p> <p>x4set</p>	<p>P12</p>  <p>Circular tube</p> <p>x2pcs</p>
<p>P13</p>  <p>Circular tube</p> <p>x2pcs</p>	<p>P14</p>  <p>Circular tube</p> <p>x2pcs</p>	<p>P15</p>  <p>Handlebar</p> <p>x2pcs</p>
<p>P16</p>  <p>Plastic card slot</p> <p>x2pcs</p>	<p>P17</p>  <p>Circular tube</p> <p>x4pcs</p>	<p>P18</p>  <p>Circular tube</p> <p>x4pcs</p>

PARTS IDENTIFIER

<p>P19</p>  <p>Latch</p> <p style="text-align: right;">x4pcs</p>	<p>H1</p>  <p>M6x90 Bolt</p> <p style="text-align: right;">x4pcs</p>	<p>H2</p>  <p>M6x85 Bolt</p> <p style="text-align: right;">x4pcs</p>
<p>H3</p>  <p>M6x70 Bolt</p> <p style="text-align: right;">x4pcs</p>	<p>H4</p>  <p>M8x60 Bolt</p> <p style="text-align: right;">x4pcs</p>	<p>H5</p>  <p>M6x55 Bolt</p> <p style="text-align: right;">x8pcs</p>
<p>H6</p>  <p>M8x45 Bolt</p> <p style="text-align: right;">x4pcs</p>	<p>H7</p>  <p>M8*Ø16*8 Plastic washer</p> <p style="text-align: right;">x4pcs</p>	<p>H8</p>  <p>M8*Ø16*13 Plastic washer</p> <p style="text-align: right;">x8pcs</p>
<p>H9</p>  <p>M8*Ø16*4 Plastic washer</p> <p style="text-align: right;">x4pcs</p>	<p>H10</p>  <p>M6*Ø12*2 Plastic washer</p> <p style="text-align: right;">x48pcs</p>	<p>H11</p>  <p>M6 Lock Nut</p> <p style="text-align: right;">x24pcs</p>
<p>H12</p>  <p>M8 Lock Nut</p> <p style="text-align: right;">x4pcs</p>	<p>H13</p>  <p>M3*8 Screw</p> <p style="text-align: right;">x10pcs</p>	<p>H14</p>  <p>4x25mm Screw</p> <p style="text-align: right;">x10pcs</p>
<p>H15</p>  <p>M6L Tool</p> <p style="text-align: right;">x1pc</p>	<p>H16</p>  <p>M4L Tool</p> <p style="text-align: right;">x1pc</p>	<p>H17</p>  <p>Open end wrench</p> <p style="text-align: right;">x2pcs</p>
<p>H18</p>  <p>Plastic cover</p> <p style="text-align: right;">x4pcs</p>		

Product breakdown diagram

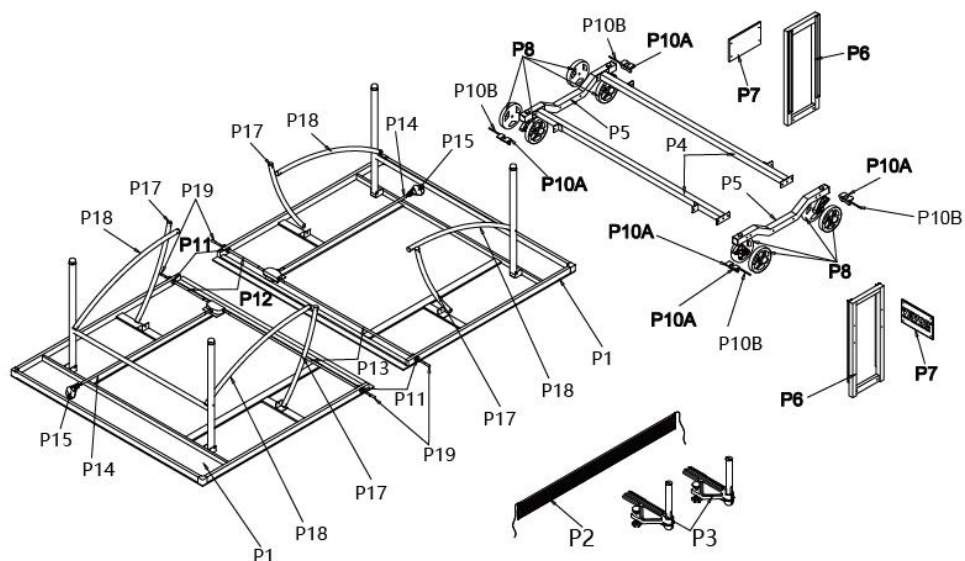


FIGURE 1

ATTENZIONE: È NECESSARIO TRAINO ADULTI ASSEMBLARE IL TAVOLO DELLA PISCINA

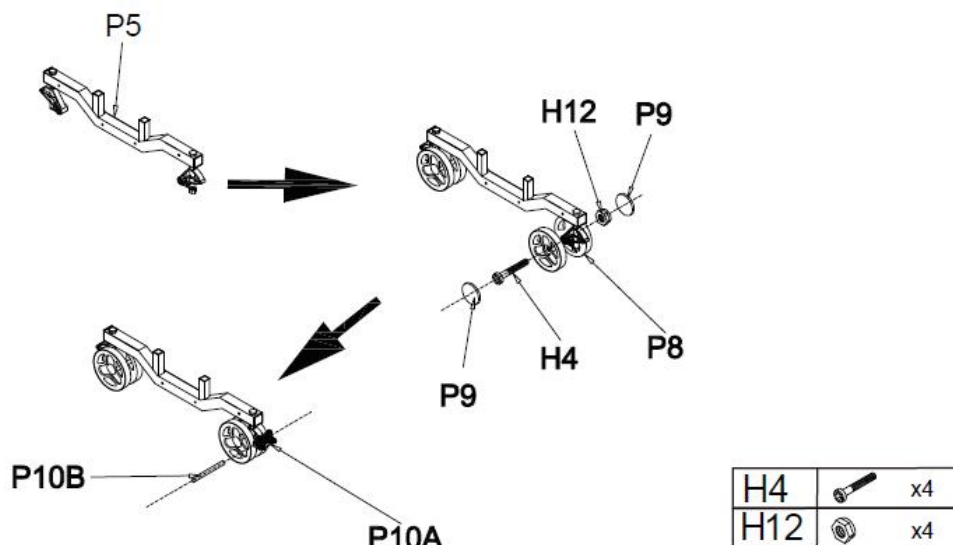


FIGURE 2

ATTENZIONE: È NECESSARIO TRAINO ADULTI ASSEMBLARE IL TAVOLO DELLA PISCINA

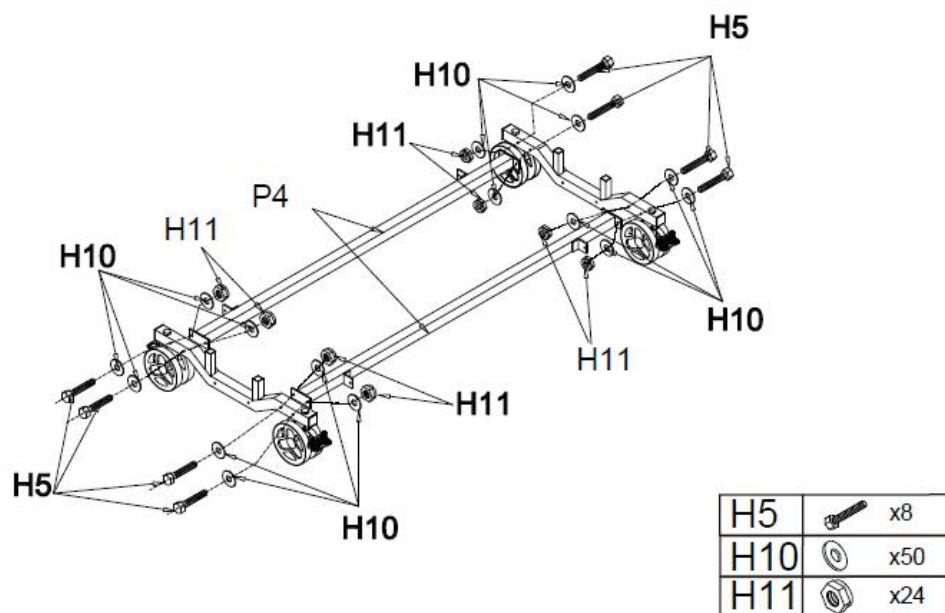


FIGURE 3

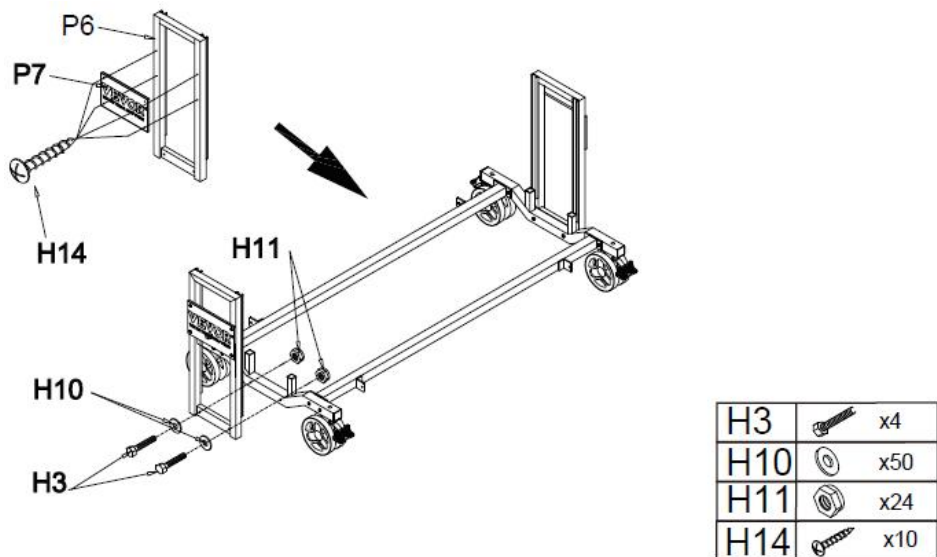


FIGURE 4

ATTENZIONE: È NECESSARIO TRAINO ADULTI ASSEMBLARE IL TAVOLO DELLA PISCINA

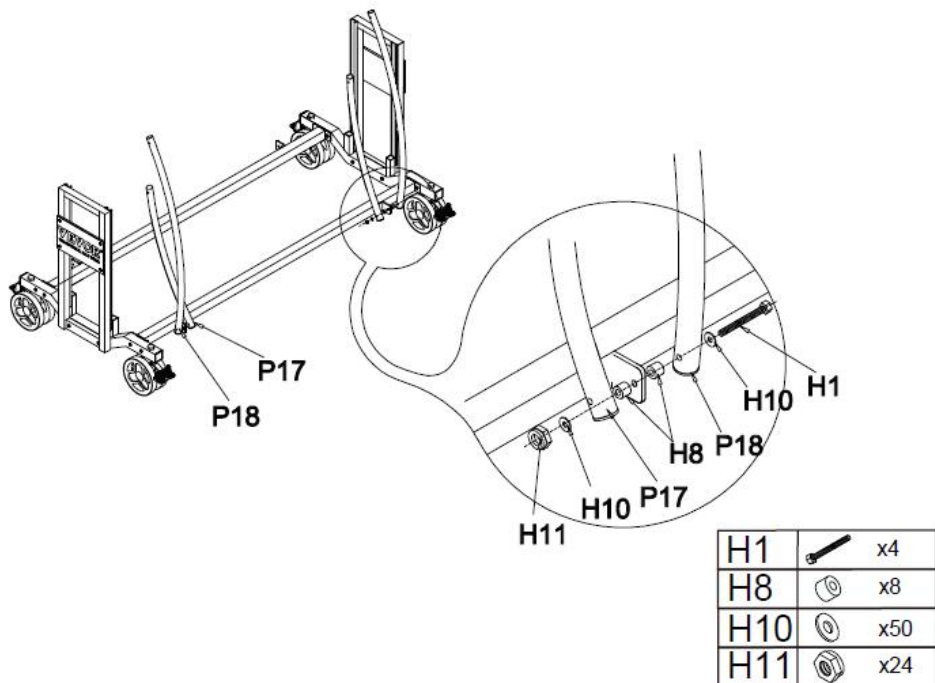


FIGURE 5

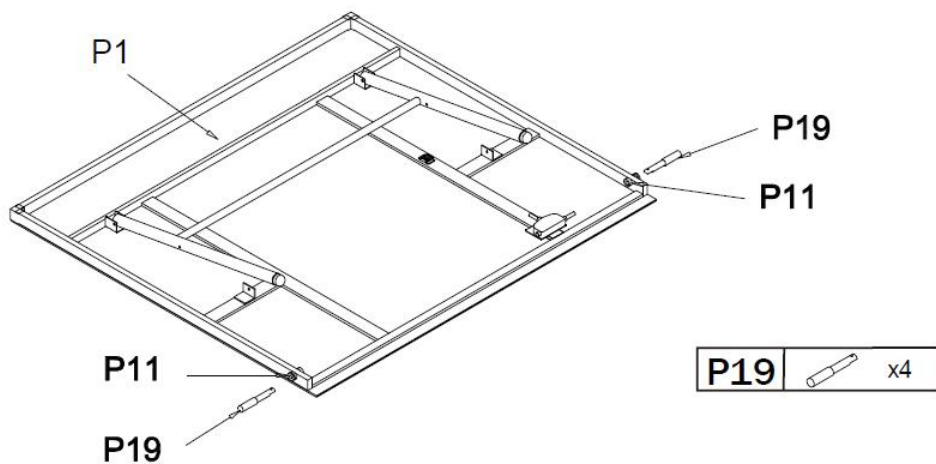


FIGURE 6

ATTENZIONE: È NECESSARIO TRAINO ADULTI ASSEMBLARE IL TAVOLO

DELLA PISCINA

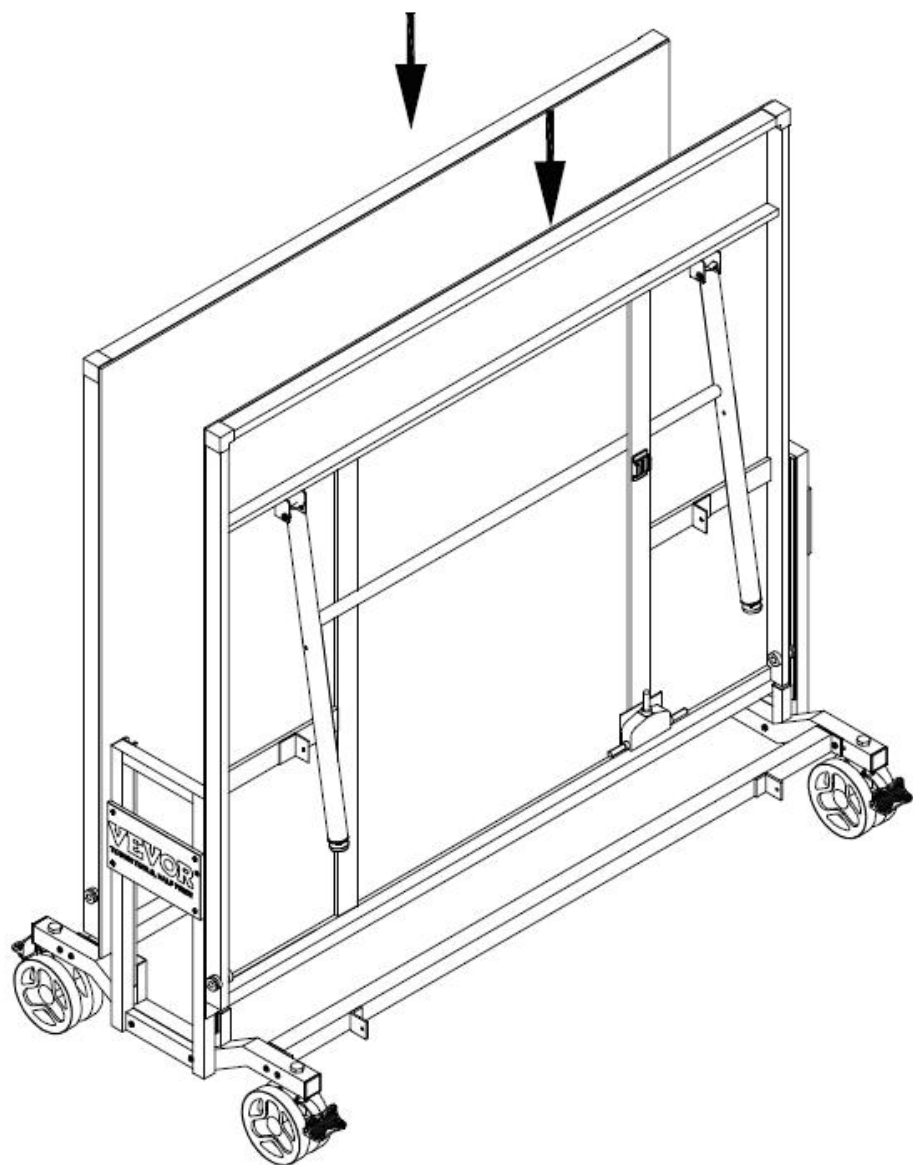
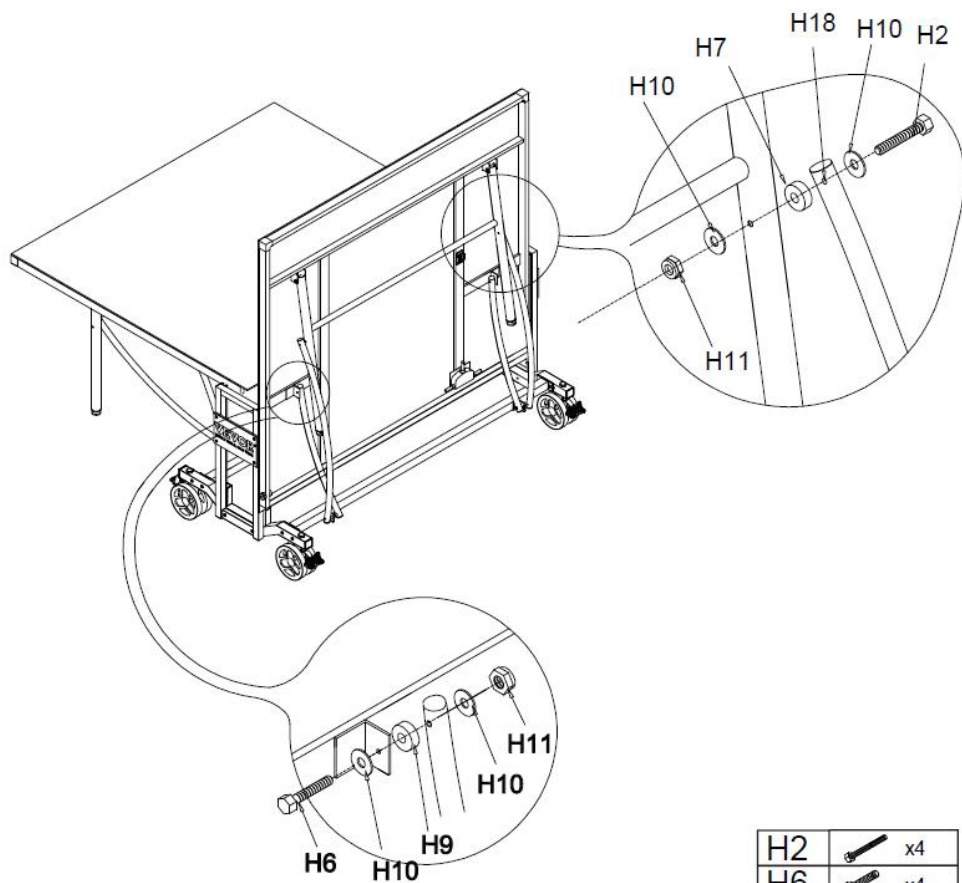


FIGURE 7

ATTENZIONE: È NECESSARIO TRAINO ADULTI ASSEMBLARE IL TAVOLO DELLA PISCINA









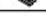
H2		x4
H6		x4
H7		x4
H9		x4
H10		x48
H11		x24
H18		x4

FIGURE 8

ATTENZIONE: È NECESSARIO TRAINO ADULTI ASSEMBLARE IL TAVOLO DELLA PISCINA

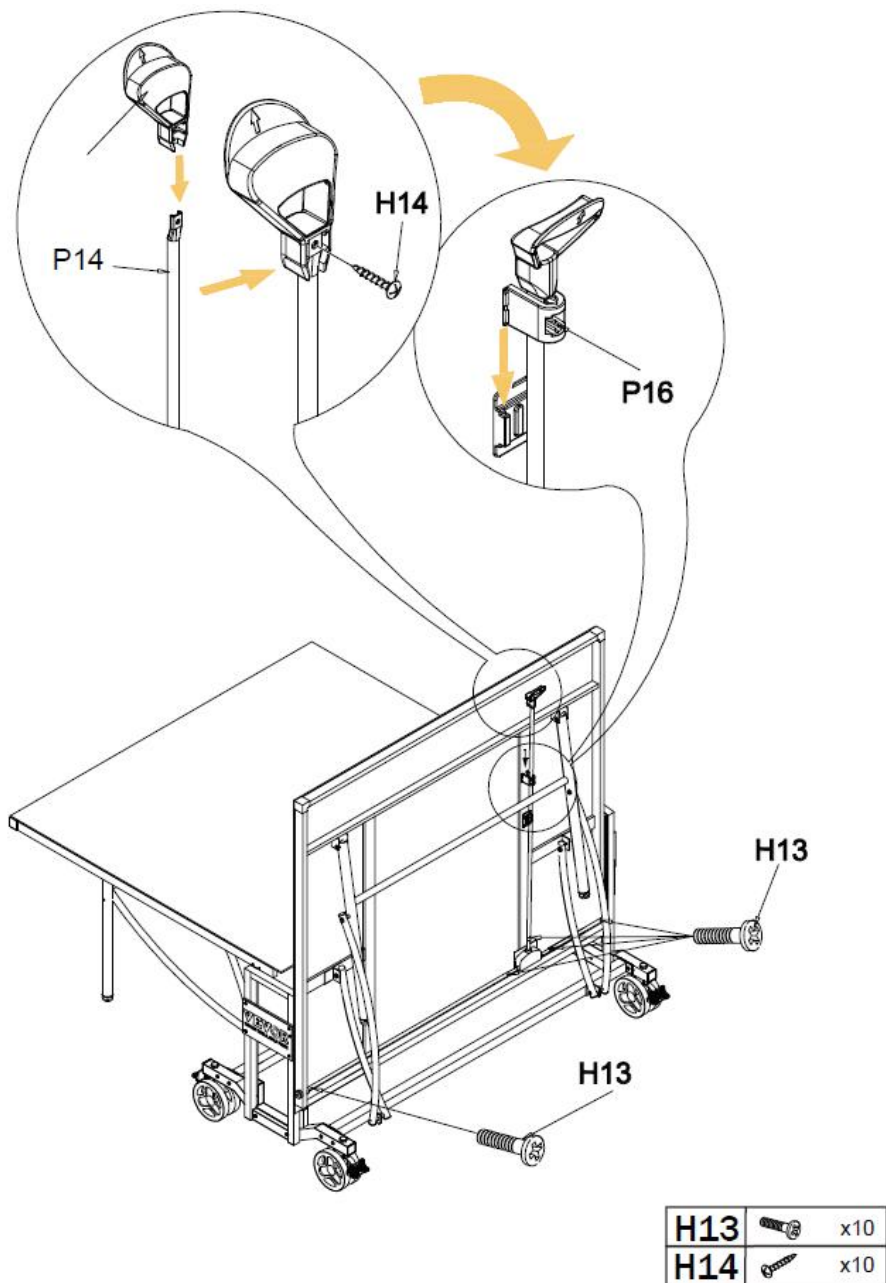
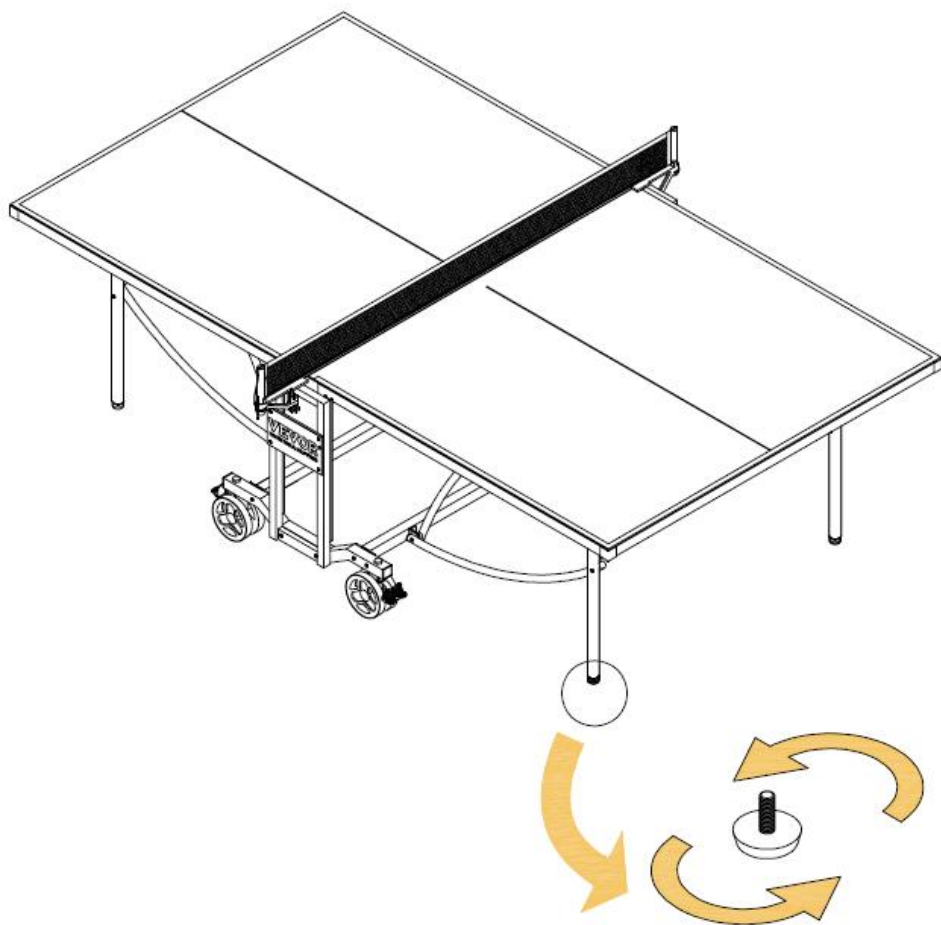


FIGURE 9

ATTENZIONE: È NECESSARIO TRAINO ADULTI ASSEMBLARE IL TAVOLO



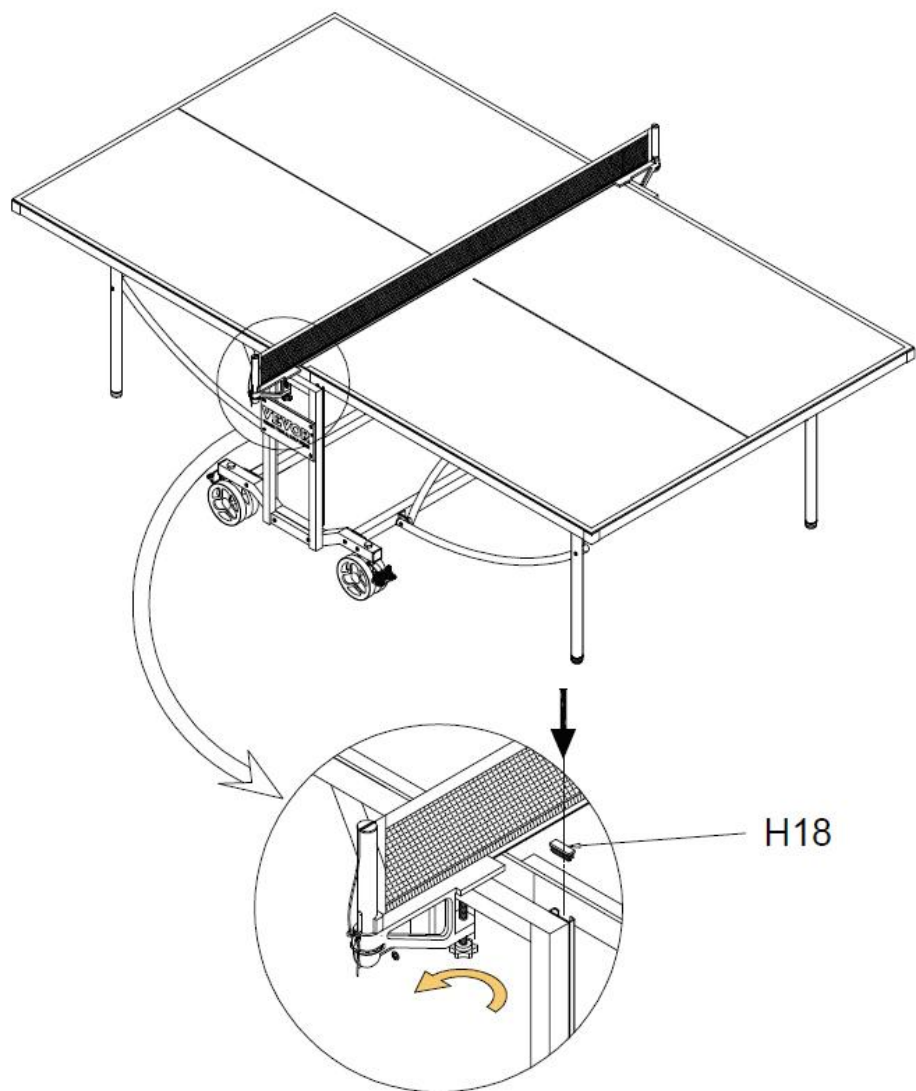
NOTA:

Quando scopri che il terreno è irregolare, puoi regolare l'altezza tramite il livellatore delle gambe

FIGURE 10

ATTENZIONE: È NECESSARIO TRAINO ADULTI ASSEMBLARE IL TAVOLO

DELLA PISCINA



H18		x4
-----	---	----

Indirizzo : Shuangchenglu 803nong11hao1602A-1609shi, baoshanqu, shanghai 200000 CN.

Importato in AUS: SIHAO PTY LTD, 1 ROKEVA STREETEASTWOOD NSW 2122 Australia

Importato negli Stati Uniti: Sanven Technology Ltd., Suite 250, 9166 Anaheim Place, Rancho Cucamonga, CA 91730

EC	REP
-----------	------------

E-CrossStu GmbH
Mainzer Landstr.69, 60329 Frankfurt am Main.

UK	REP
-----------	------------

YH CONSULTING LIMITED.
C/O YH Consulting Limited Office 147, Centurion House,
London Road. Staines-upon-Thames. Surrey. TW18 4AX

VEVOR[®]

TOUGH TOOLS, HALF PRICE

Tecnico Supporto e certificato di garanzia elettronica

www.vevor.com/support

VEVOR[®]

TOUGH TOOLS, HALF PRICE

Técnico Certificado de soporte y garantía electrónica

www.vevor.com/support

MESA DE PING-PONG AL AIRE LIBRE

MODELO: VT003

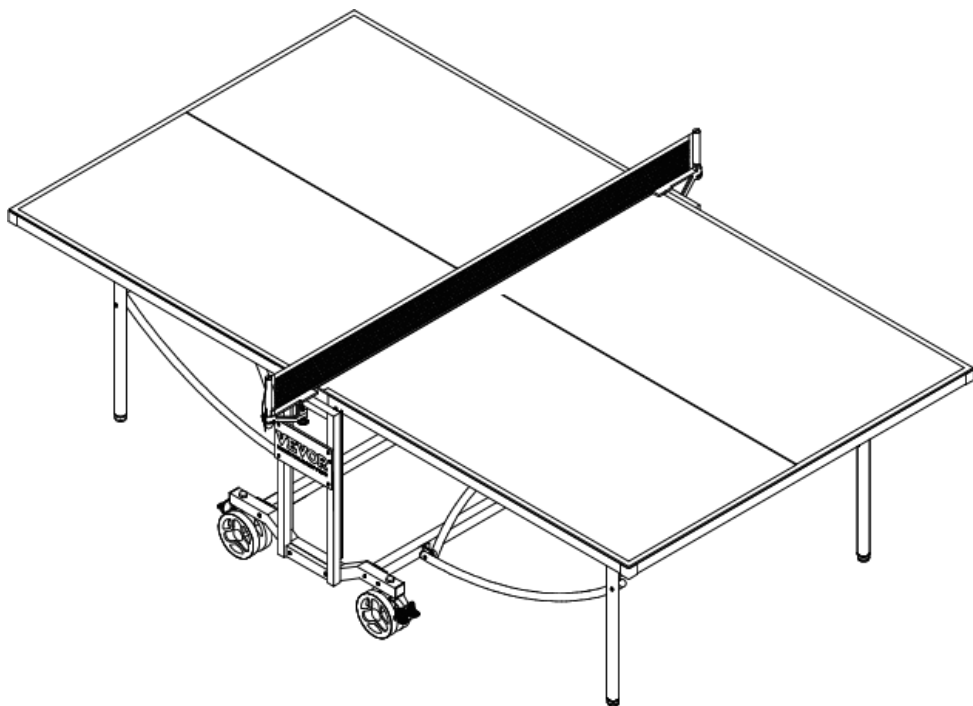
We continue to be committed to provide you tools with competitive price.

"Save Half", "Half Price" or any other similar expressions used by us only represents an estimate of savings you might benefit from buying certain tools with us compared to the major top brands and does not necessarily mean to cover all categories of tools offered by us. You are kindly reminded to verify carefully when you are placing an order with us if you are actually saving half in comparison with the top major brands.

VEVOR[®]

TOUGH TOOLS, HALF PRICE

OUTDOOR TABLE
TENNIS TABLE



NEED HELP? CONTACT US!

Have product questions? Need technical support? Please feel free to contact us:

Technical Support and E-Warranty Certificate
www.vevor.com/support

This is the original instruction, please read all manual instructions carefully before operating. VEVOR reserves a clear interpretation of our user manual. The appearance of the product shall be subject to the product you received. Please forgive us that we won't inform you again if there are any technology or software updates on our product.

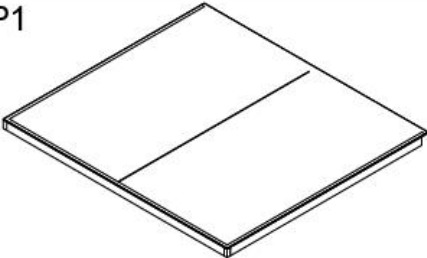



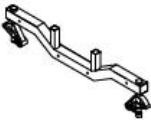













PRODUCT PARAMETERS

Modelo	Tamaño del producto (mm)	Ubicación de uso	Grosor del panel
VT003	2740X1525X760	Exterior	6mm




















Manipulación de equipos y mantenimiento

21. Asegúrese de que la mesa de ping-pong esté completamente ensamblada y con precisión antes de usarla.
22. Los niños no deben mover, montar ni guardar la mesa sin la supervisión de un adulto.
23. Coloque la mesa sobre una superficie nivelada.
24. No lo cubra con papel de plástico porque se puede formar condensación debajo.
25. No utilice materiales corrosivos o abrasivos para limpiar el equipo ya que pueden dañar las superficies de la mesa. En la mayoría de los casos, basta con un paño ligeramente humedecido .

PARTS IDENTIFIER

<p>P1</p>  <p>Table Tennis Top</p> <p>x2pcs</p>	<p>P2</p>  <p>Table Tennis Net</p> <p>x1pc</p>	<p>P3</p>  <p>Table Tennis Post</p> <p>x2pcs</p>
<p>P4</p>  <p>Connecti</p> <p>x2pcs</p>	<p>P5</p>  <p>Chassis</p> <p>x2pcs</p>	<p>P6</p>  <p>Side panel border</p> <p>x2pcs</p>
<p>P7</p>  <p>Poster board</p> <p>x2pcs</p>	<p>P8</p>  <p>Wheel</p> <p>x4set</p>	<p>P9</p>  <p>Wheel cover</p> <p>x8pcs</p>
<p>P10</p>  <p>P10B P10A</p> <p>Wheel brake pads</p> <p>x4set</p>	<p>P11</p>  <p>Sliding groove plastic screw</p> <p>x4set</p>	<p>P12</p>  <p>Circular tube</p> <p>x2pcs</p>
<p>P13</p>  <p>Circular tube</p> <p>x2pcs</p>	<p>P14</p>  <p>Circular tube</p> <p>x2pcs</p>	<p>P15</p>  <p>Handlebar</p> <p>x2pcs</p>
<p>P16</p>  <p>Plastic card slot</p> <p>x2pcs</p>	<p>P17</p>  <p>Circular tube</p> <p>x4pcs</p>	<p>P18</p>  <p>Circular tube</p> <p>x4pcs</p>

PARTS IDENTIFIER

<p>P19</p>  <p>Latch</p> <p style="text-align: right;">x4pcs</p>	<p>H1</p>  <p>M6x90 Bolt</p> <p style="text-align: right;">x4pcs</p>	<p>H2</p>  <p>M6x85 Bolt</p> <p style="text-align: right;">x4pcs</p>
<p>H3</p>  <p>M6x70 Bolt</p> <p style="text-align: right;">x4pcs</p>	<p>H4</p>  <p>M8x60 Bolt</p> <p style="text-align: right;">x4pcs</p>	<p>H5</p>  <p>M6x55 Bolt</p> <p style="text-align: right;">x8pcs</p>
<p>H6</p>  <p>M8x45 Bolt</p> <p style="text-align: right;">x4pcs</p>	<p>H7</p>  <p>M8*Ø16*8 Plastic washer</p> <p style="text-align: right;">x4pcs</p>	<p>H8</p>  <p>M8*Ø16*13 Plastic washer</p> <p style="text-align: right;">x8pcs</p>
<p>H9</p>  <p>M8*Ø16*4 Plastic washer</p> <p style="text-align: right;">x4pcs</p>	<p>H10</p>  <p>M6*Ø12*2 Plastic washer</p> <p style="text-align: right;">x48pcs</p>	<p>H11</p>  <p>M6 Lock Nut</p> <p style="text-align: right;">x24pcs</p>
<p>H12</p>  <p>M8 Lock Nut</p> <p style="text-align: right;">x4pcs</p>	<p>H13</p>  <p>M3*8 Screw</p> <p style="text-align: right;">x10pcs</p>	<p>H14</p>  <p>4x25mm Screw</p> <p style="text-align: right;">x10pcs</p>
<p>H15</p>  <p>M6L Tool</p> <p style="text-align: right;">x1pc</p>	<p>H16</p>  <p>M4L Tool</p> <p style="text-align: right;">x1pc</p>	<p>H17</p>  <p>Open end wrench</p> <p style="text-align: right;">x2pcs</p>
<p>H18</p>  <p>Plastic cover</p> <p style="text-align: right;">x4pcs</p>		

Product breakdown diagram

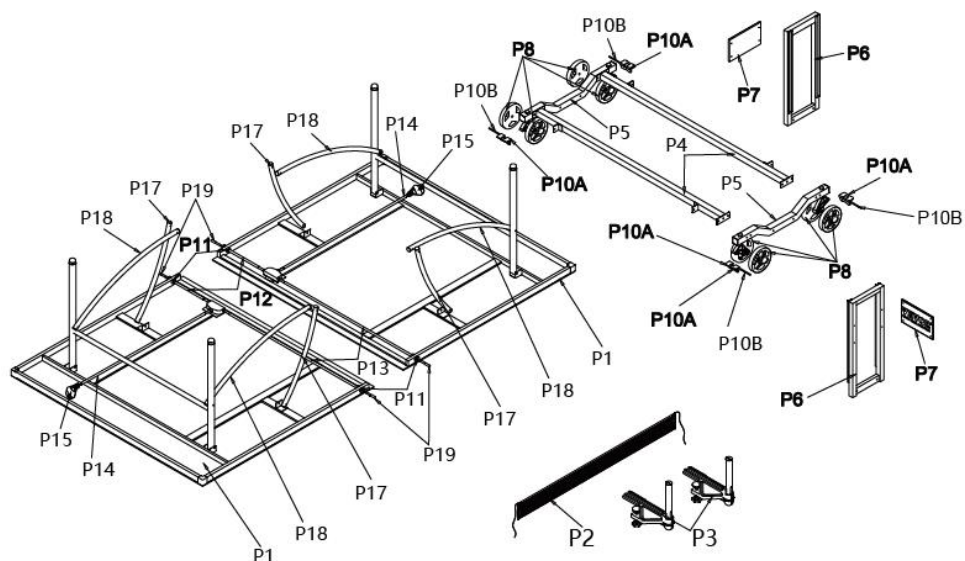


FIGURE 1

ADVERTENCIA: SE NECESITAN REMOLQUES ADULTOS PARA MONTAR LA MESA DE BILLAR

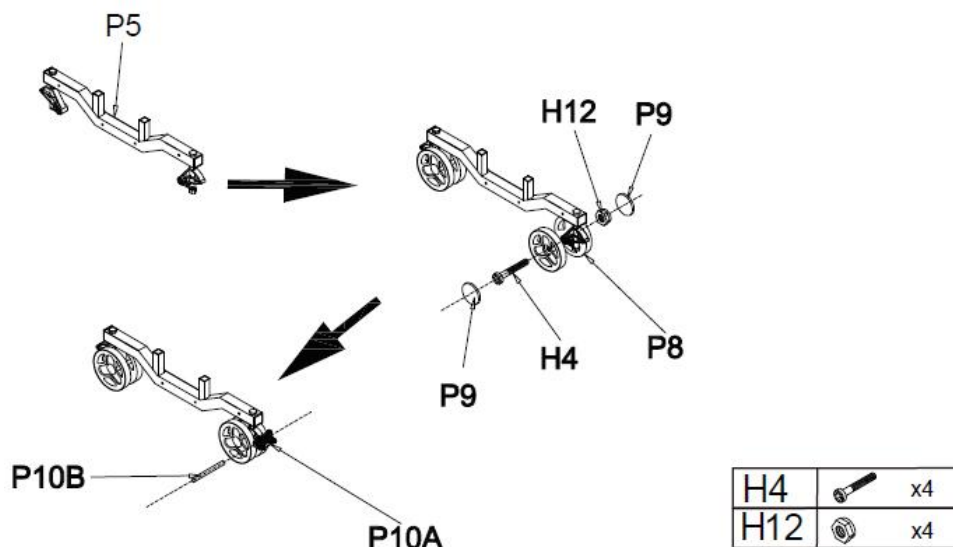


FIGURE 2

ADVERTENCIA: SE NECESITAN REMOLQUES ADULTOS PARA MONTAR LA MESA DE BILLAR

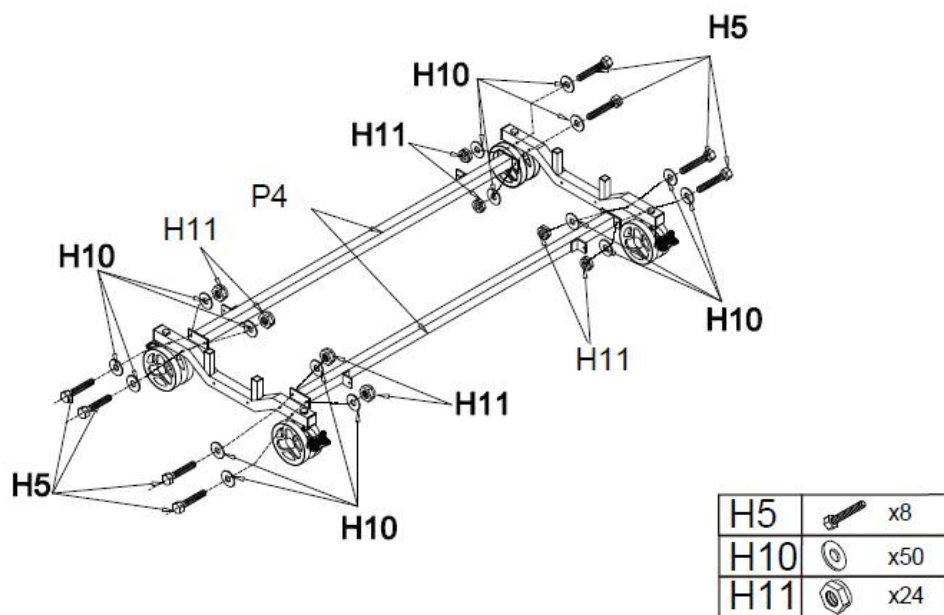


FIGURE 3

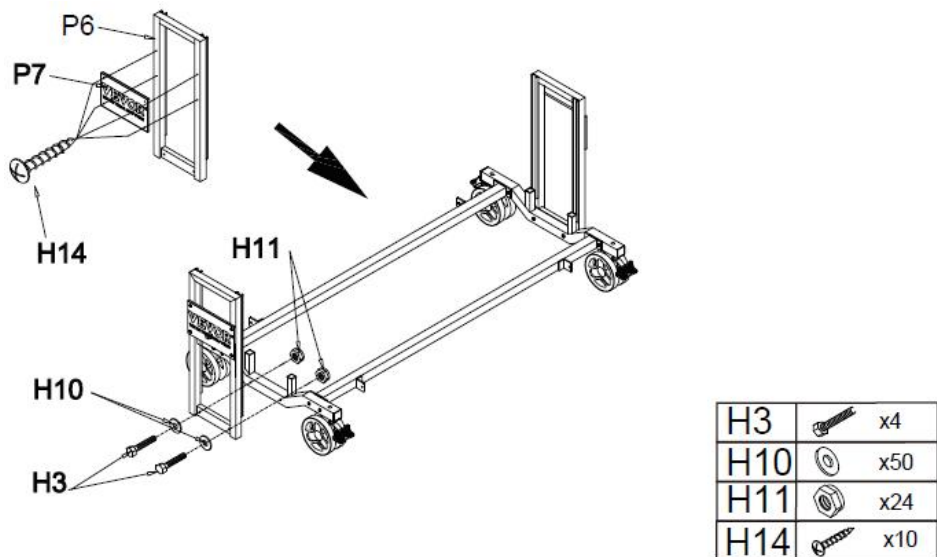


FIGURE 4

ADVERTENCIA: SE NECESITAN REMOLQUES ADULTOS PARA MONTAR LA MESA DE BILLAR

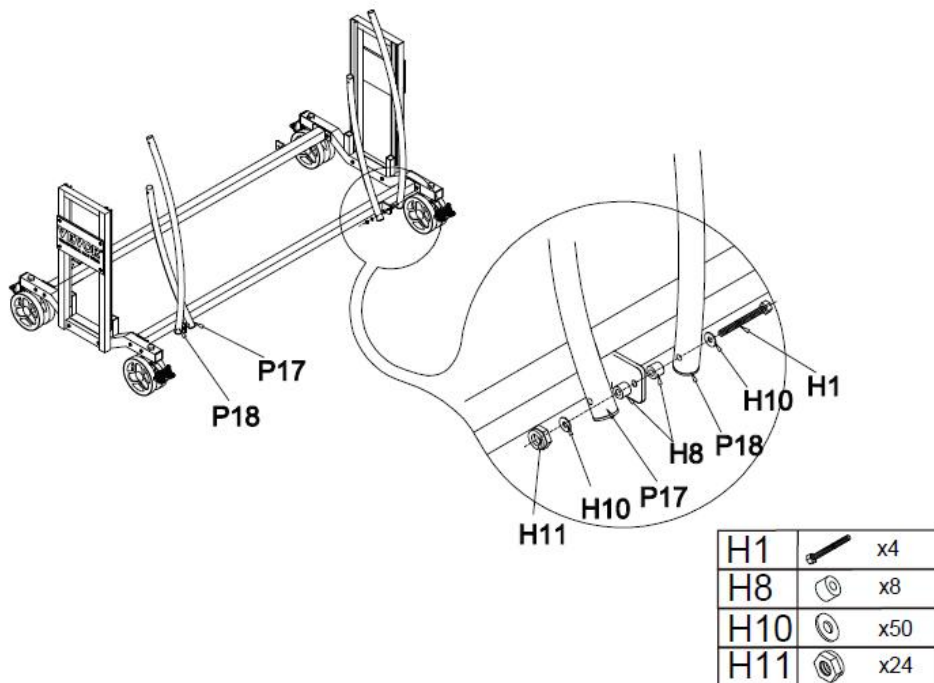


FIGURE 5

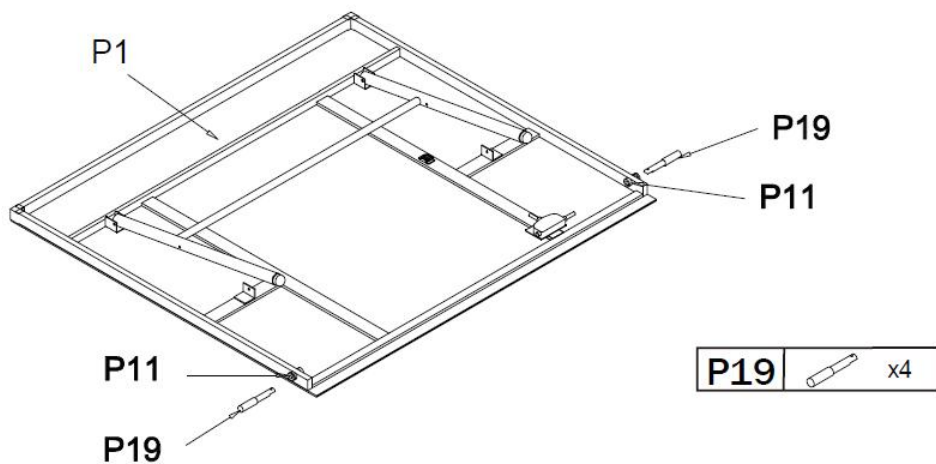


FIGURE 6

ADVERTENCIA: SE NECESITAN REMOLQUES ADULTOS PARA MONTAR LA

MESA DE BILLAR

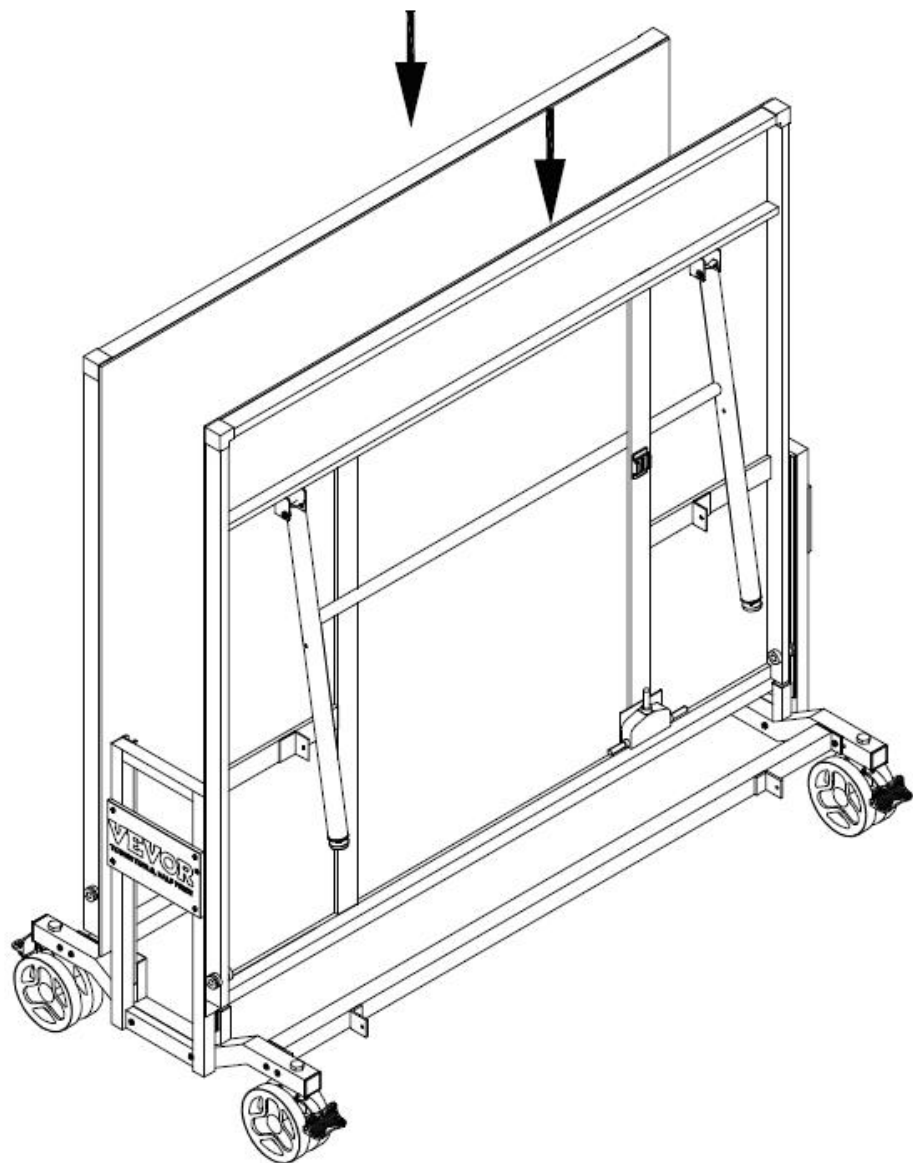
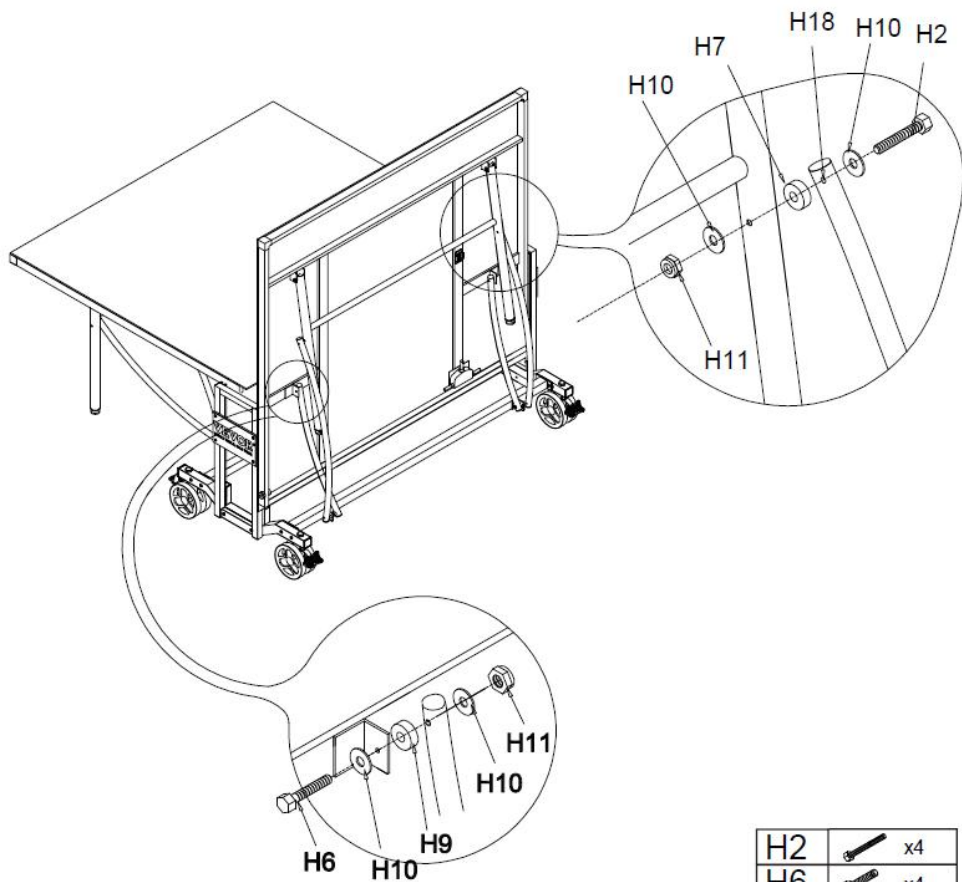


FIGURE 7

ADVERTENCIA: SE NECESITAN REMOLQUES ADULTOS PARA MONTAR LA MESA DE BILLAR









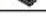
H2		x4
H6		x4
H7		x4
H9		x4
H10		x48
H11		x24
H18		x4

FIGURE 8

ADVERTENCIA: SE NECESITAN REMOLQUES ADULTOS PARA MONTAR LA MESA DE BILLAR

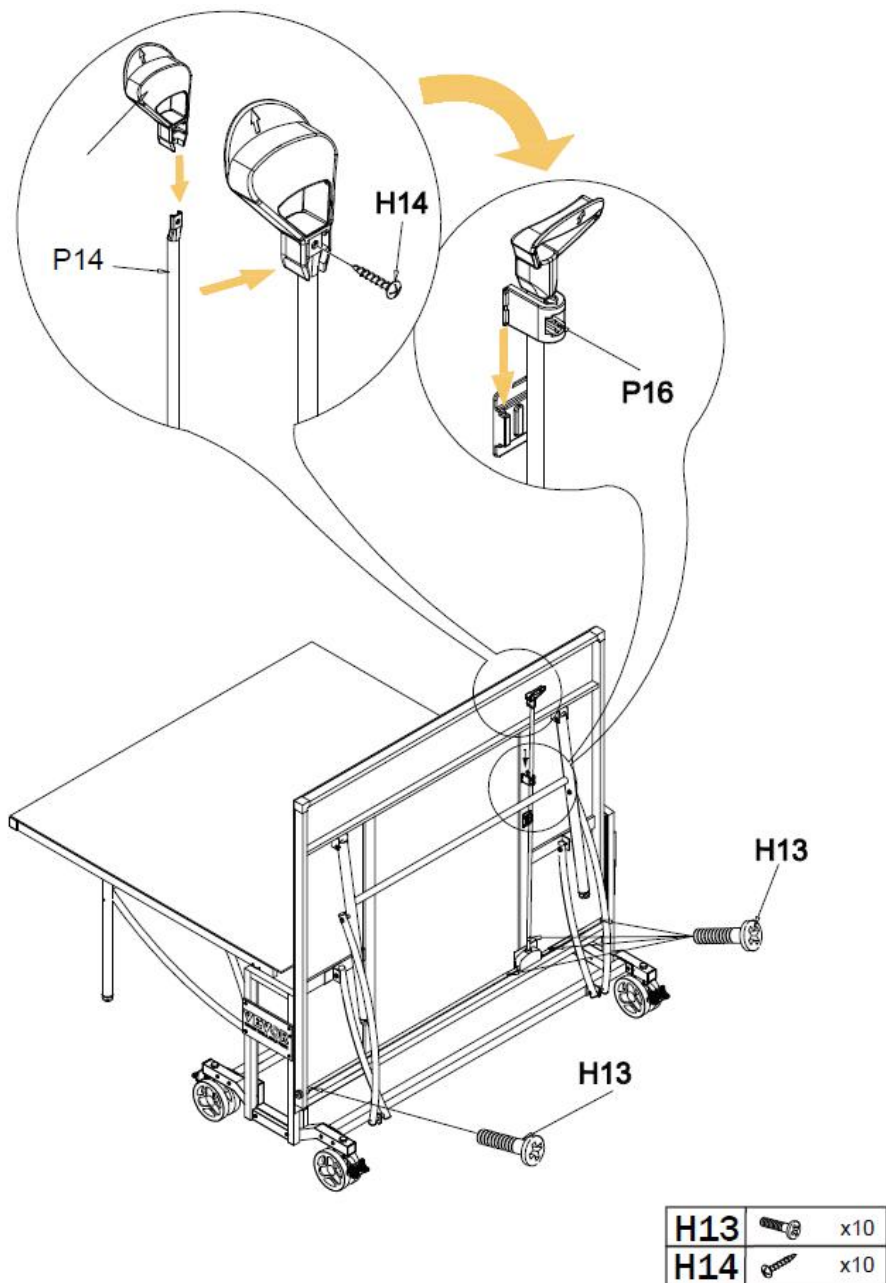
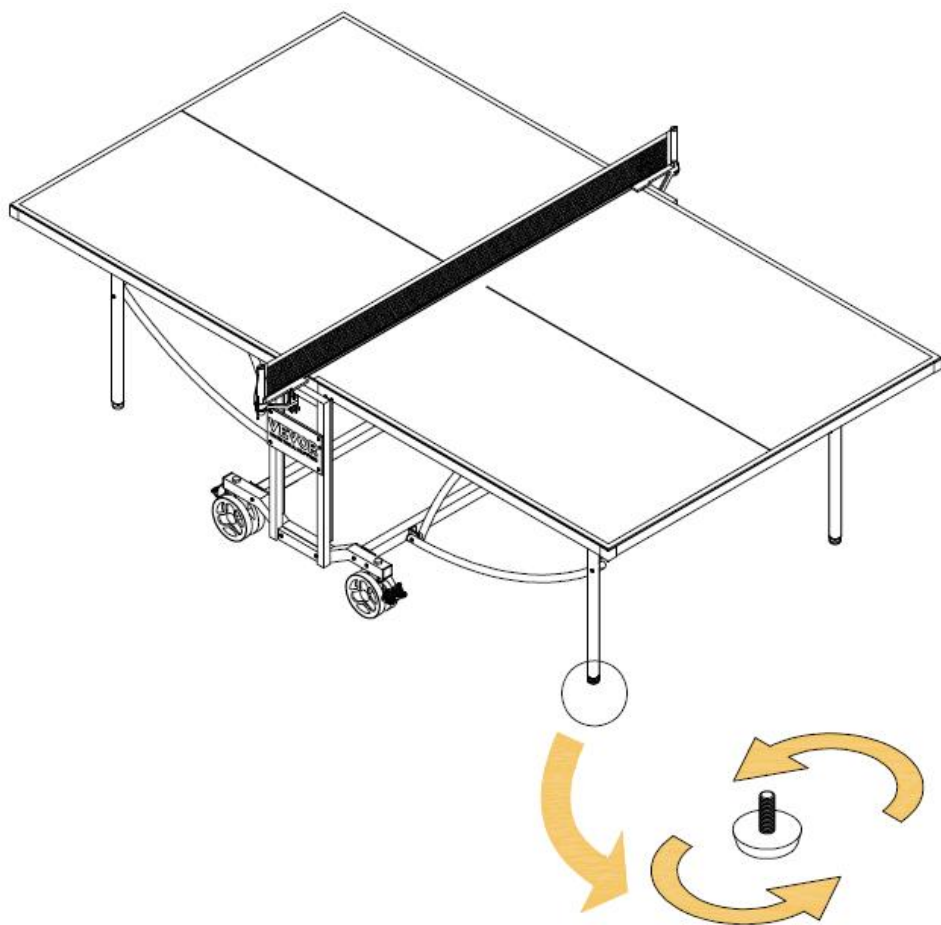


FIGURE 9

ADVERTENCIA: SE NECESITAN REMOLQUES ADULTOS PARA MONTAR LA

MESA DE BILLAR



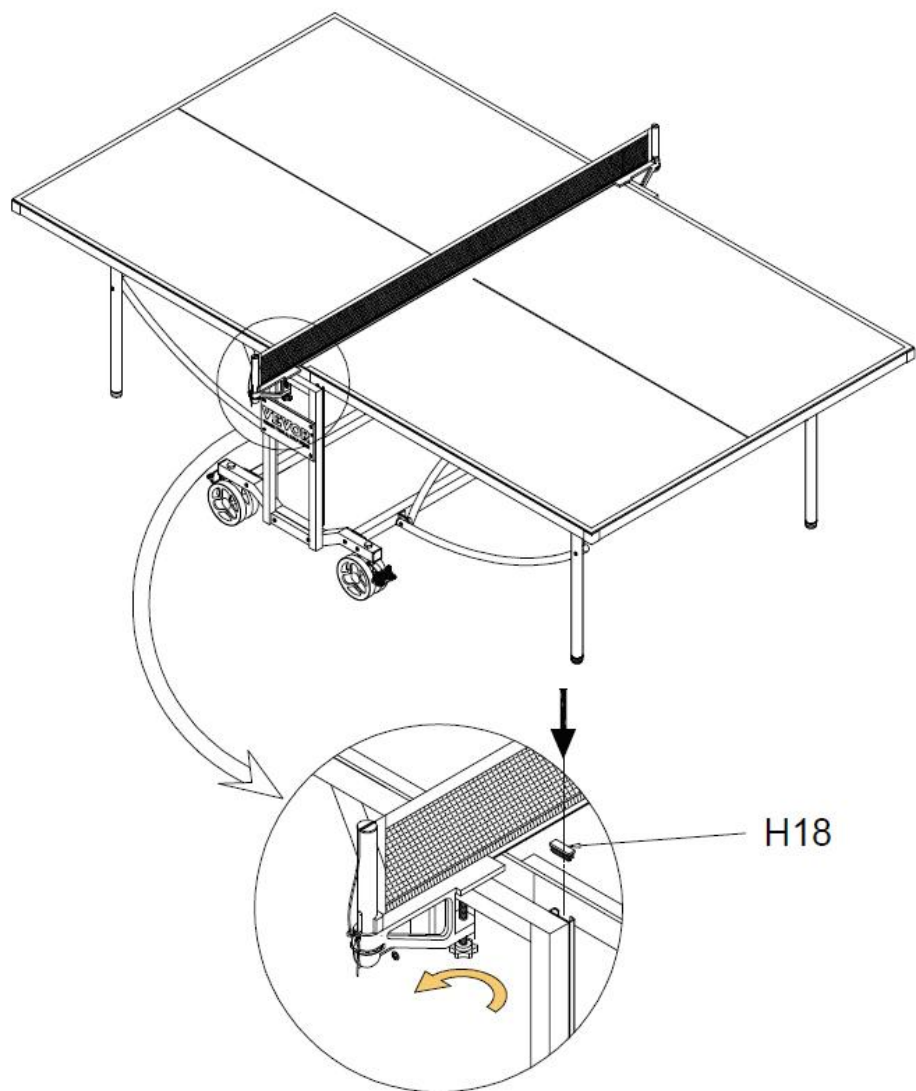
NOTA:

Cuando encuentre que el suelo es desigual, puede ajustar la altura a través del nivelador de patas.

FIGURE 10

ADVERTENCIA: SE NECESITAN REMOLQUES ADULTOS PARA MONTAR LA

MESA DE BILLAR



H18		x4
-----	---	----

Dirección : Shuangchenglu 803nong11hao1602A-1609shi, baoshanqu, shanghai 200000 CN.

Importado a AUS: SIHAO PTY LTD, 1 ROKEVA STREETEASTWOOD NSW 2122 Australia

Importado a EE. UU.: Sanven Technology Ltd., Suite 250, 9166 Anaheim Place, Rancho Cucamonga, CA 91730

EC	REP
-----------	------------

E-CrossStu GmbH
Mainzer Landstr.69, 60329 Frankfurt am Main.

UK	REP
-----------	------------

YH CONSULTING LIMITED.
C/O YH Consulting Limited Office 147, Centurion House,
London Road. Staines-upon-Thames. Surrey. TW18 4AX

VEVOR[®]

TOUGH TOOLS, HALF PRICE

Técnico Certificado de soporte y garantía electrónica

www.vevor.com/support

VEVOR[®]

TOUGH TOOLS, HALF PRICE

Techniczny Certyfikat wsparcia i e-gwarancji

www.vevor.com/support

STÓŁ DO TENISA STOŁOWEGO NA ŚWIEŻYM POWIETRZU

MODEL: VT003

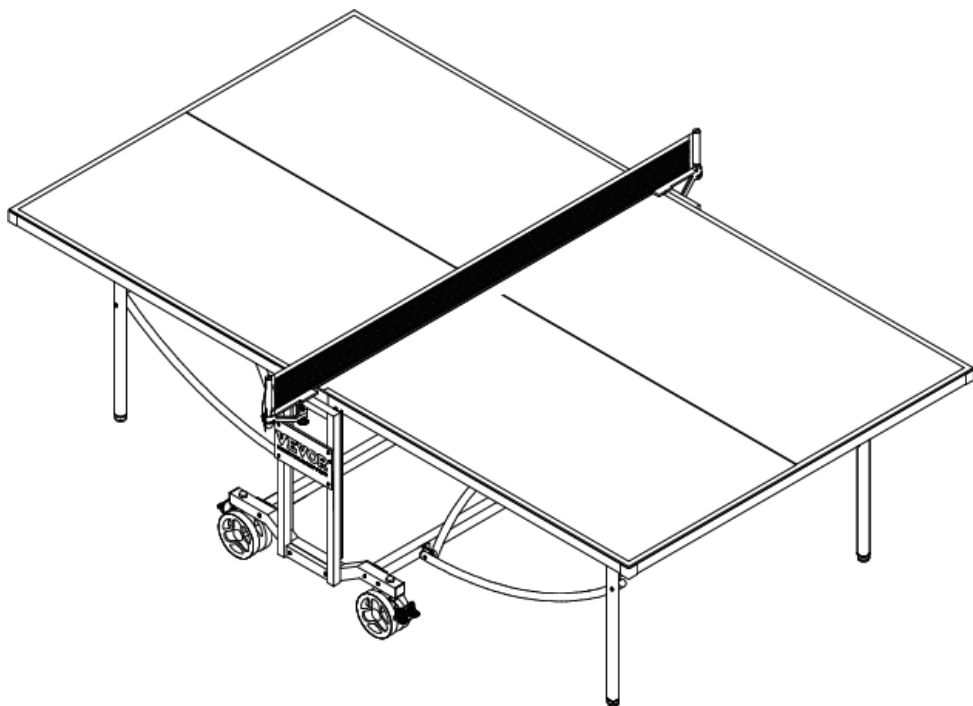
We continue to be committed to provide you tools with competitive price.

"Save Half", "Half Price" or any other similar expressions used by us only represents an estimate of savings you might benefit from buying certain tools with us compared to the major top brands and does not necessarily mean to cover all categories of tools offered by us. You are kindly reminded to verify carefully when you are placing an order with us if you are actually saving half in comparison with the top major brands.

VEVOR[®]

TOUGH TOOLS, HALF PRICE

OUTDOOR TABLE
TENNIS TABLE



NEED HELP? CONTACT US!

Have product questions? Need technical support? Please feel free to contact us:

Technical Support and E-Warranty Certificate
www.vevor.com/support

This is the original instruction, please read all manual instructions carefully before operating. VEVOR reserves a clear interpretation of our user manual. The appearance of the product shall be subject to the product you received. Please forgive us that we won't inform you again if there are any technology or software updates on our product.

PRODUCT PARAMETERS

Model	Rozmiar produktu (mm)	Miejsce użycia	Grubość panelu
VT003	2740X1525X760	Na wolnym powietrzu	6mm

Obsługa sprzętu i konserwacja

26. Przed użyciem upewnij się, że stół do tenisa stołowego jest całkowicie i dokładnie zmontowany.

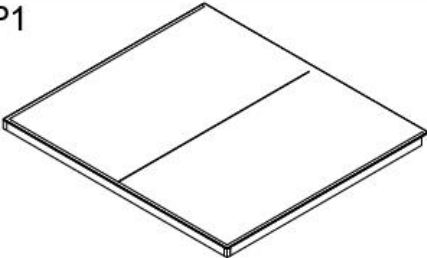



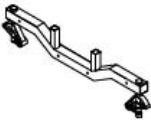













27. Dzieci nie powinny przenosić, montować ani przechowywać stołu bez nadzoru osoby dorosłej.

28. Ustaw stół na płaskiej powierzchni.




















29. Nie przykrywaj go folią plastikową, ponieważ pod nią może gromadzić się wilgoć.

30. Do czyszczenia sprzętu nie używaj materiałów żrących ani ściernych, ponieważ może to spowodować uszkodzenie powierzchni stołu. W większości przypadków wystarczy lekko zwilżona ściereczka .

PARTS IDENTIFIER

<p>P1</p>  <p>Table Tennis Top</p> <p>x2pcs</p>	<p>P2</p>  <p>Table Tennis Net</p> <p>x1pc</p>	<p>P3</p>  <p>Table Tennis Post</p> <p>x2pcs</p>
<p>P4</p>  <p>Connecti</p> <p>x2pcs</p>	<p>P5</p>  <p>Chassis</p> <p>x2pcs</p>	<p>P6</p>  <p>Side panel border</p> <p>x2pcs</p>
<p>P7</p>  <p>Poster board</p> <p>x2pcs</p>	<p>P8</p>  <p>Wheel</p> <p>x4set</p>	<p>P9</p>  <p>Wheel cover</p> <p>x8pcs</p>
<p>P10</p>  <p>P10B P10A</p> <p>Wheel brake pads</p> <p>x4set</p>	<p>P11</p>  <p>Sliding groove plastic screw</p> <p>x4set</p>	<p>P12</p>  <p>Circular tube</p> <p>x2pcs</p>
<p>P13</p>  <p>Circular tube</p> <p>x2pcs</p>	<p>P14</p>  <p>Circular tube</p> <p>x2pcs</p>	<p>P15</p>  <p>Handlebar</p> <p>x2pcs</p>
<p>P16</p>  <p>Plastic card slot</p> <p>x2pcs</p>	<p>P17</p>  <p>Circular tube</p> <p>x4pcs</p>	<p>P18</p>  <p>Circular tube</p> <p>x4pcs</p>

PARTS IDENTIFIER

<p>P19</p>  <p>Latch</p> <p style="text-align: right;">x4pcs</p>	<p>H1</p>  <p>M6x90 Bolt</p> <p style="text-align: right;">x4pcs</p>	<p>H2</p>  <p>M6x85 Bolt</p> <p style="text-align: right;">x4pcs</p>
<p>H3</p>  <p>M6x70 Bolt</p> <p style="text-align: right;">x4pcs</p>	<p>H4</p>  <p>M8x60 Bolt</p> <p style="text-align: right;">x4pcs</p>	<p>H5</p>  <p>M6x55 Bolt</p> <p style="text-align: right;">x8pcs</p>
<p>H6</p>  <p>M8x45 Bolt</p> <p style="text-align: right;">x4pcs</p>	<p>H7</p>  <p>M8*Ø16*8 Plastic washer</p> <p style="text-align: right;">x4pcs</p>	<p>H8</p>  <p>M8*Ø16*13 Plastic washer</p> <p style="text-align: right;">x8pcs</p>
<p>H9</p>  <p>M8*Ø16*4 Plastic washer</p> <p style="text-align: right;">x4pcs</p>	<p>H10</p>  <p>M6*Ø12*2 Plastic washer</p> <p style="text-align: right;">x48pcs</p>	<p>H11</p>  <p>M6 Lock Nut</p> <p style="text-align: right;">x24pcs</p>
<p>H12</p>  <p>M8 Lock Nut</p> <p style="text-align: right;">x4pcs</p>	<p>H13</p>  <p>M3*8 Screw</p> <p style="text-align: right;">x10pcs</p>	<p>H14</p>  <p>4x25mm Screw</p> <p style="text-align: right;">x10pcs</p>
<p>H15</p>  <p>M6L Tool</p> <p style="text-align: right;">x1pc</p>	<p>H16</p>  <p>M4L Tool</p> <p style="text-align: right;">x1pc</p>	<p>H17</p>  <p>Open end wrench</p> <p style="text-align: right;">x2pcs</p>
<p>H18</p>  <p>Plastic cover</p> <p style="text-align: right;">x4pcs</p>		

Product breakdown diagram

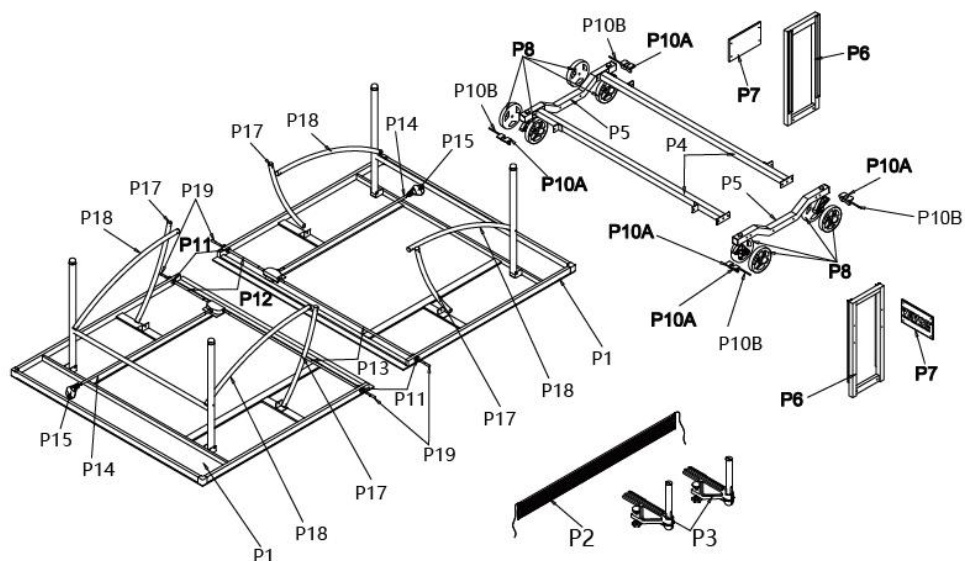


FIGURE 1

OSTRZEŻENIE: OSOBY DOROSŁE POTRZEBUJĄ MONTAŻU STOŁU BASENOWEGO

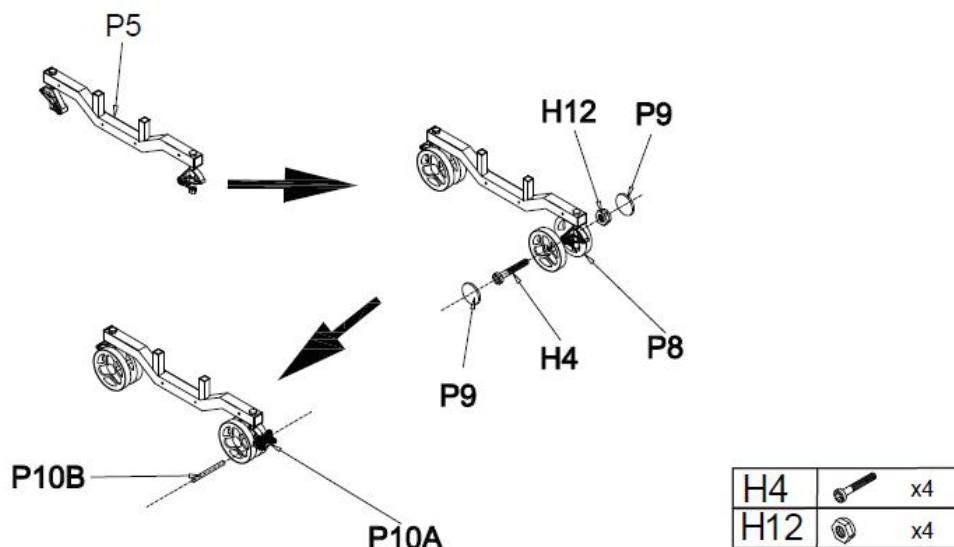


FIGURE 2

**OSTRZEŻENIE: OSOBY DOROSŁE POTRZEBUJĄ MONTAŻU STOŁU
BASENOWEGO**

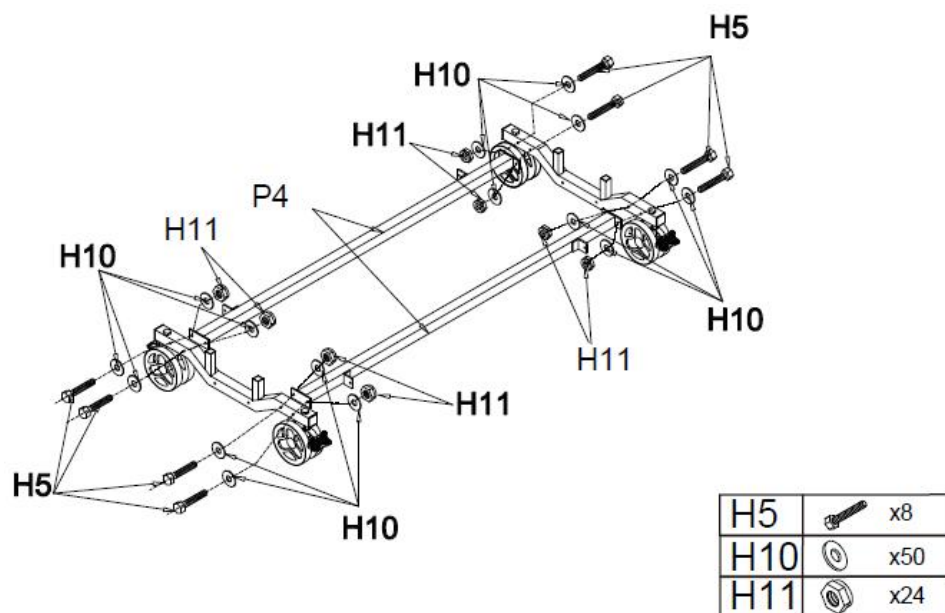


FIGURE 3

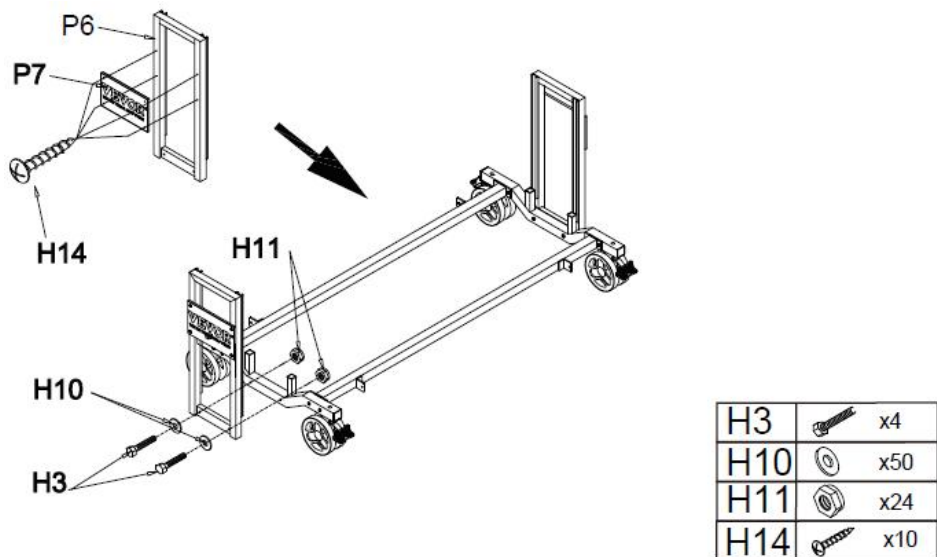


FIGURE 4

**OSTRZEŻENIE: OSOBY DOROSŁE POTRZEBUJĄ MONTAŻU STOŁU
BASENOWEGO**

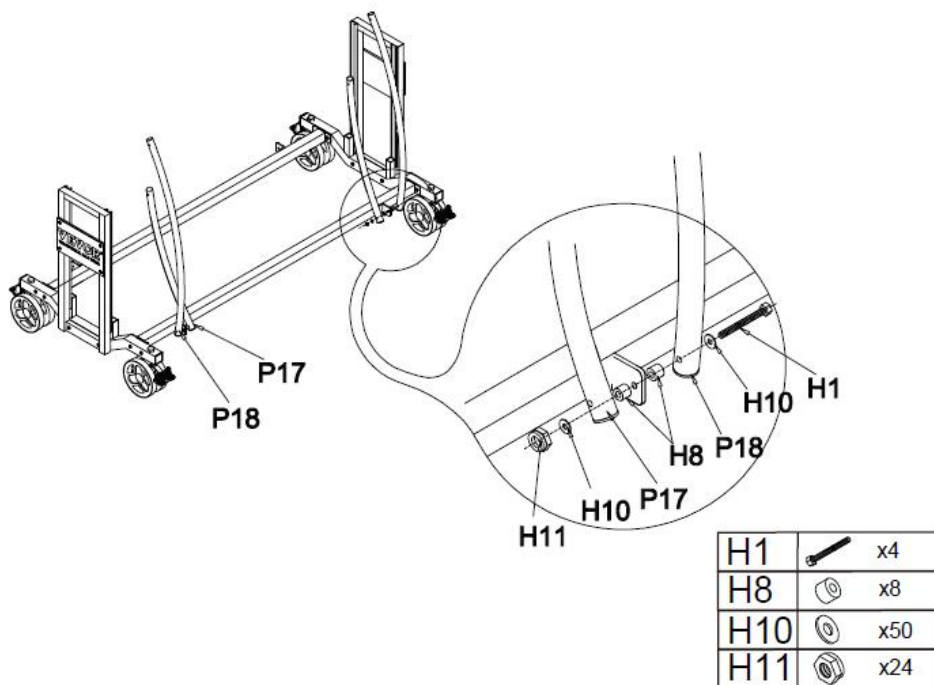


FIGURE 5

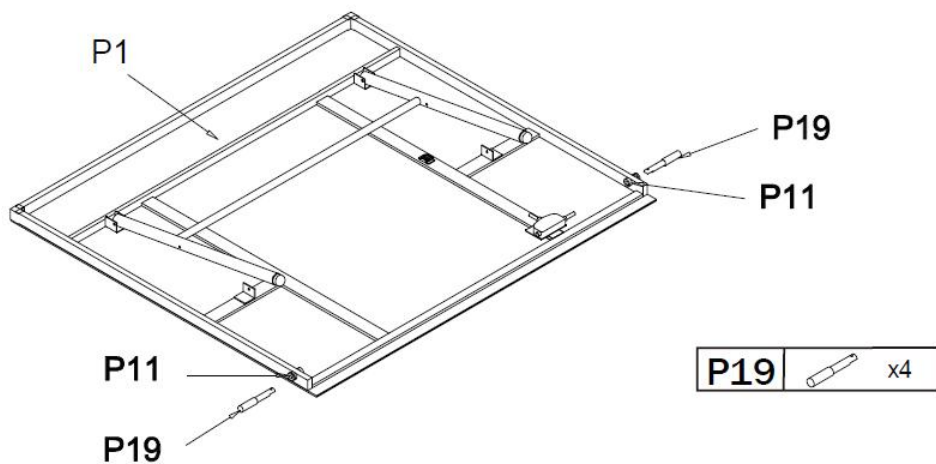


FIGURE 6

OSTRZEŻENIE: OSOBY DOROSŁE POTRZEBUJĄ MONTAŻU STOŁU

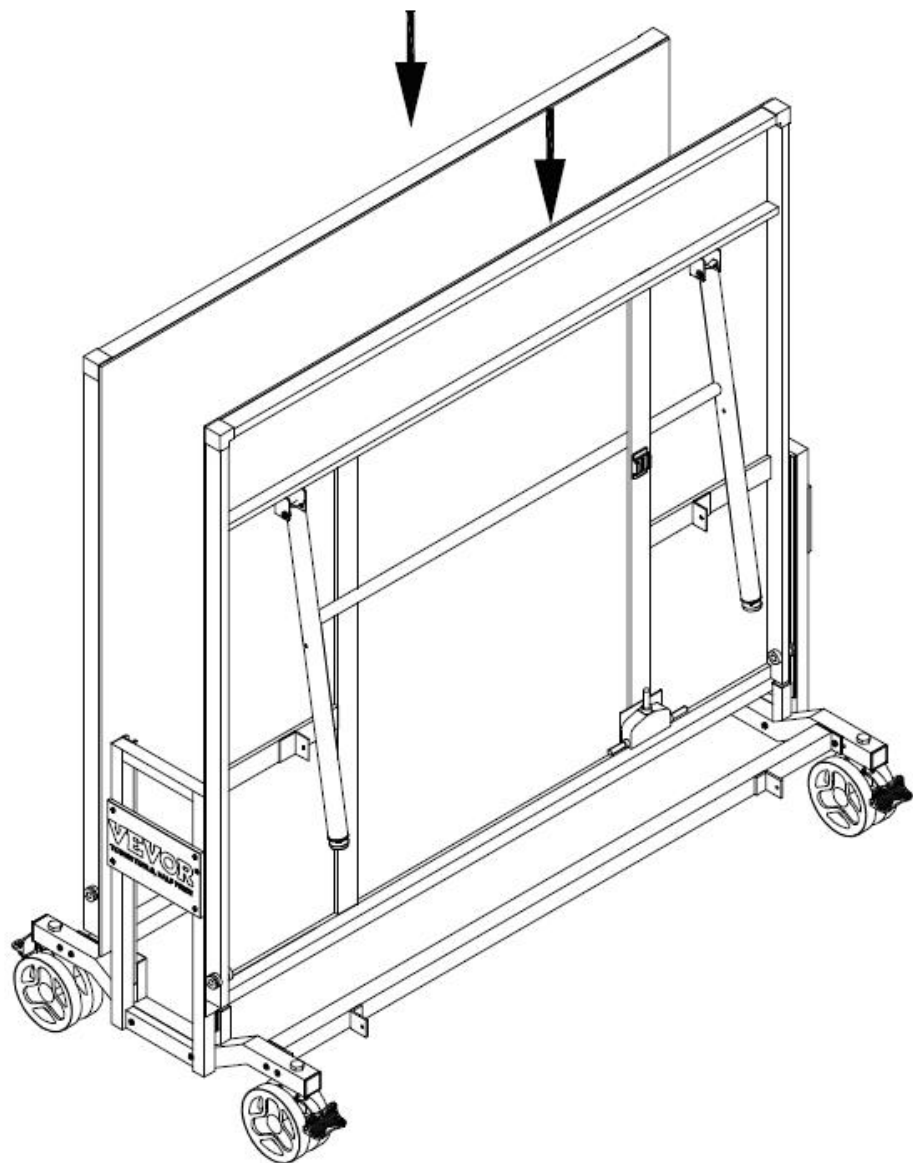
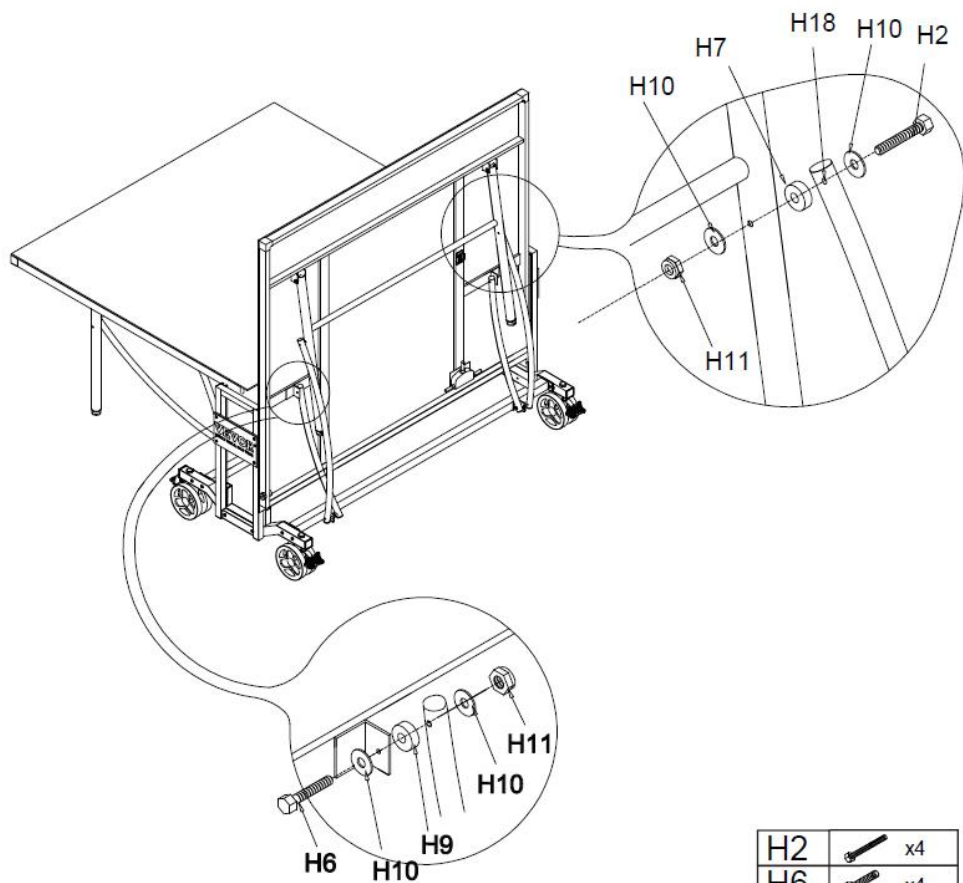


FIGURE 7

**OSTRZEŻENIE: OSOBY DOROSŁE POTRZEBUJĄ MONTAŻU STOŁU
BASENOWEGO**









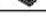
H2		x4
H6		x4
H7		x4
H9		x4
H10		x48
H11		x24
H18		x4

FIGURE 8

**OSTRZEŻENIE: OSOBY DOROSŁE POTRZEBUJĄ MONTAŻU STOŁU
BASENOWEGO**

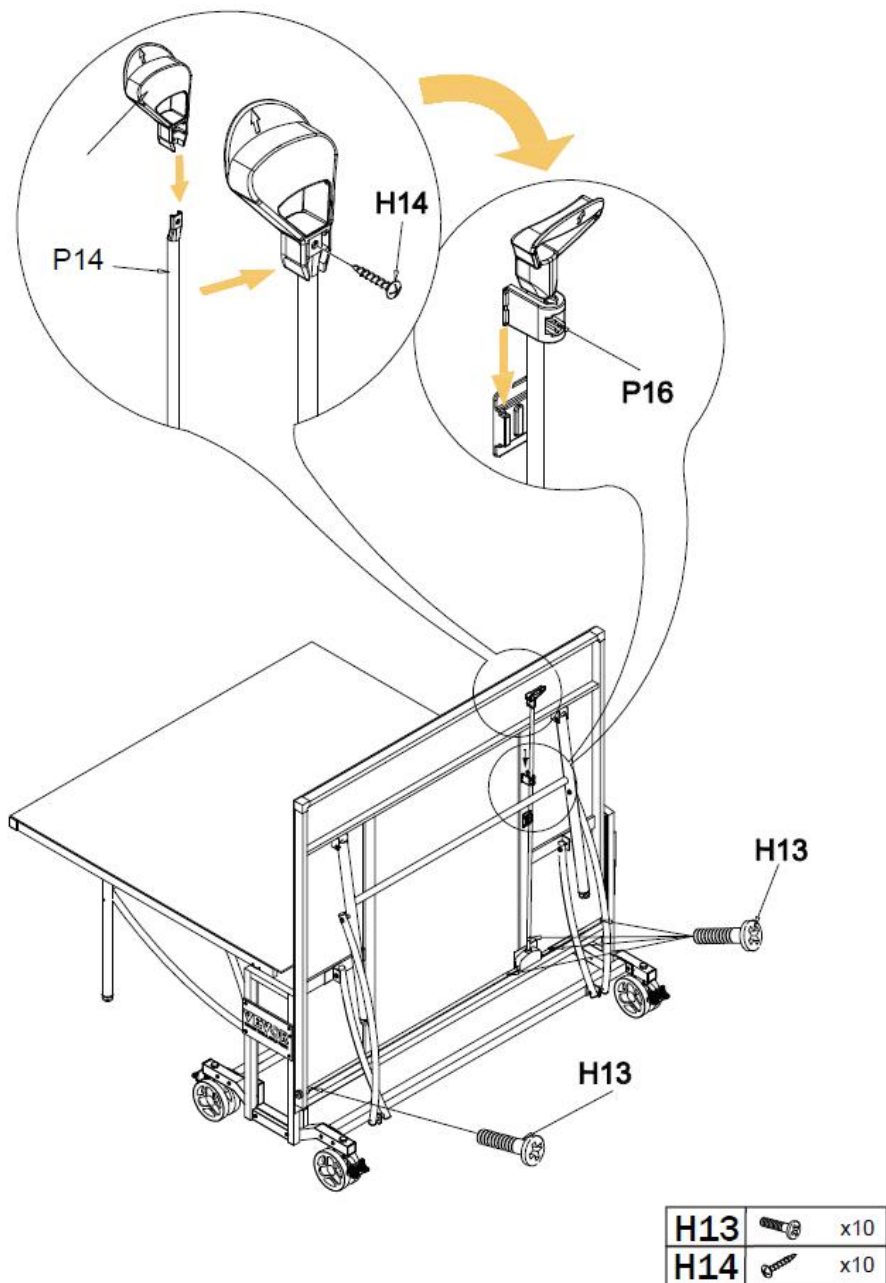
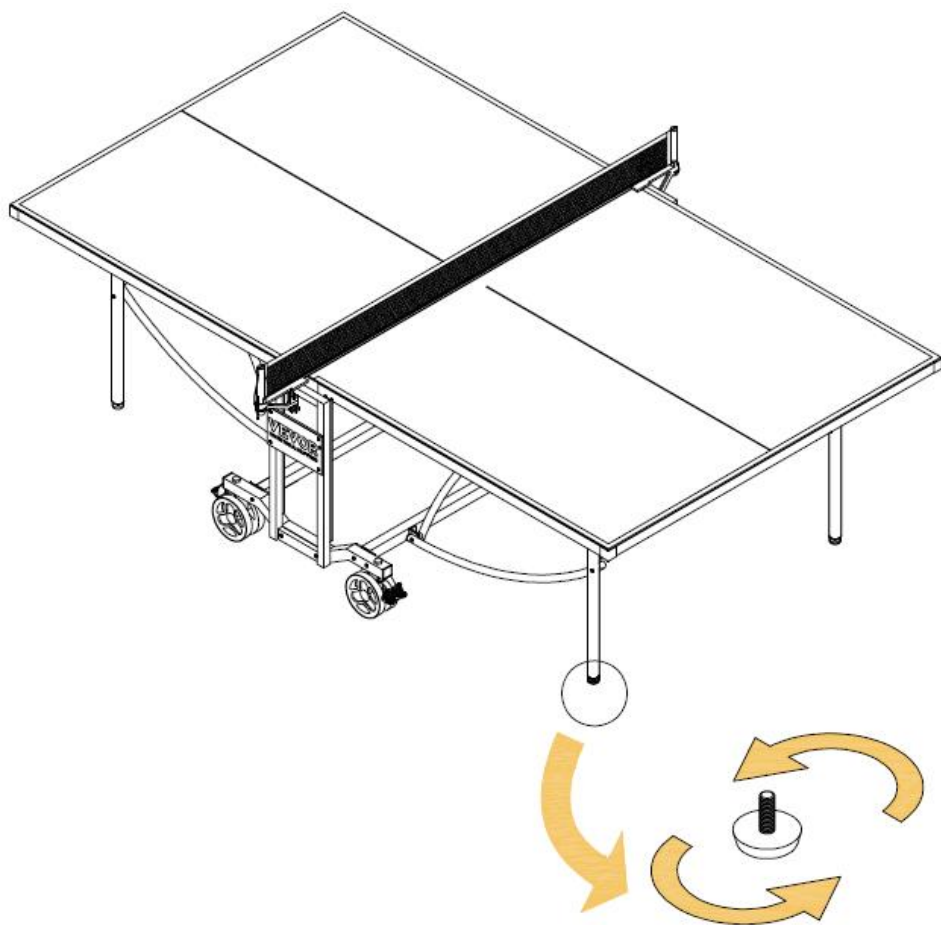


FIGURE 9

OSTRZEŻENIE: OSOBY DOROSŁE POTRZEBUJĄ MONTAŻU STOŁU



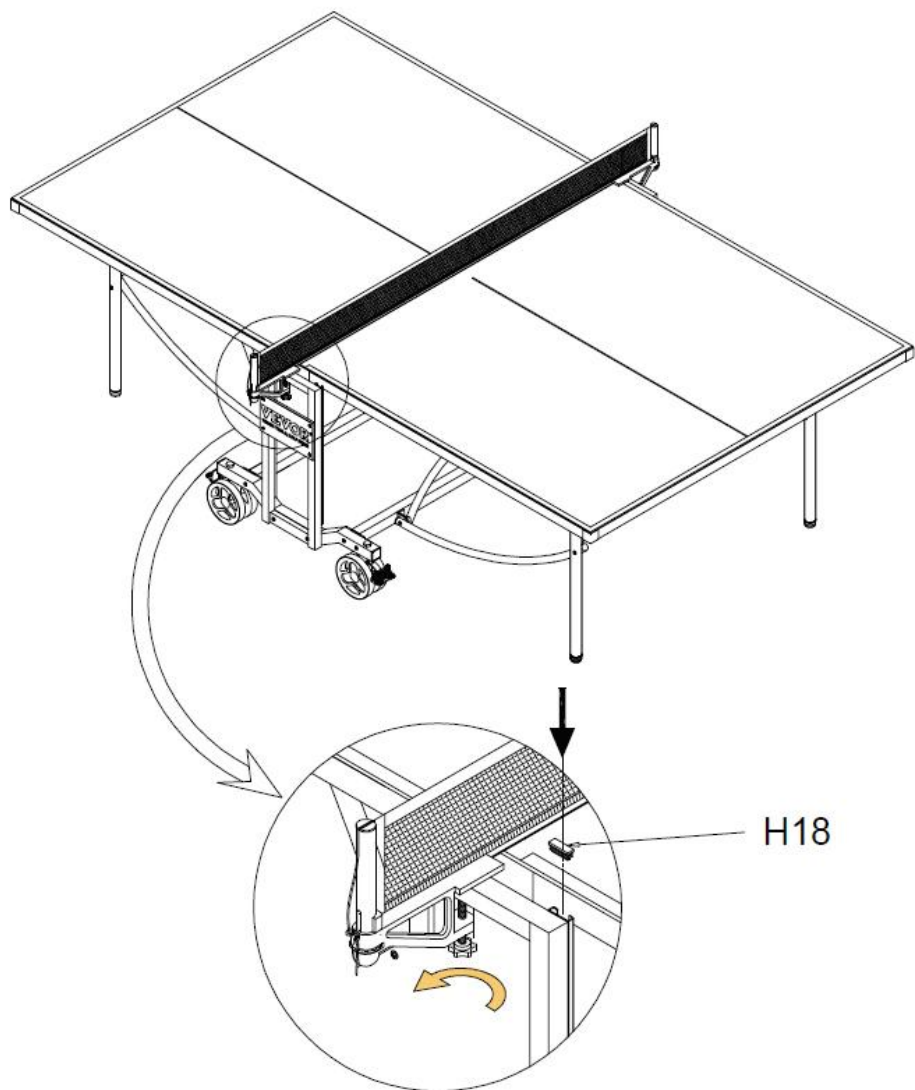
NOTATKA:

Gdy stwierdzisz, że podłoże jest nierówne, możesz wyregulować wysokość za pomocą poziomicy na nogach

FIGURE 10

OSTRZEŻENIE: OSOBY DOROSŁE POTRZEBUJĄ MONTAŻU STOŁU

BASENOWEGO



H18		x4
-----	---	----

Adres : Shuangchenglu 803nong11hao1602A-1609shi, baoshanqu, szanghaj 200000 CN.

Import do AUS: SIHAO PTY LTD, 1 ROKEVA STREETEASTWOOD NSW 2122 Australia

Import do USA: Sanven Technology Ltd., Suite 250, 9166 Anaheim Place, Rancho Cucamonga, CA 91730

EC	REP
-----------	------------

E-CrossStu GmbH
Mainzer Landstr.69, 60329 Frankfurt am Main.

UK	REP
-----------	------------

YH CONSULTING LIMITED.
C/O YH Consulting Limited Office 147, Centurion House,
London Road. Staines-upon-Thames. Surrey. TW18 4AX

VEVOR[®]

TOUGH TOOLS, HALF PRICE

Techniczny Certyfikat wsparcia i e-gwarancji

www.vevor.com/support

VEVOR[®]

TOUGH TOOLS, HALF PRICE

Technisch Ondersteuning en e-garantiecertificaat

www.vevor.com/support

TAFELTENNISTAFEL VOOR BUITEN

MODEL: VT003

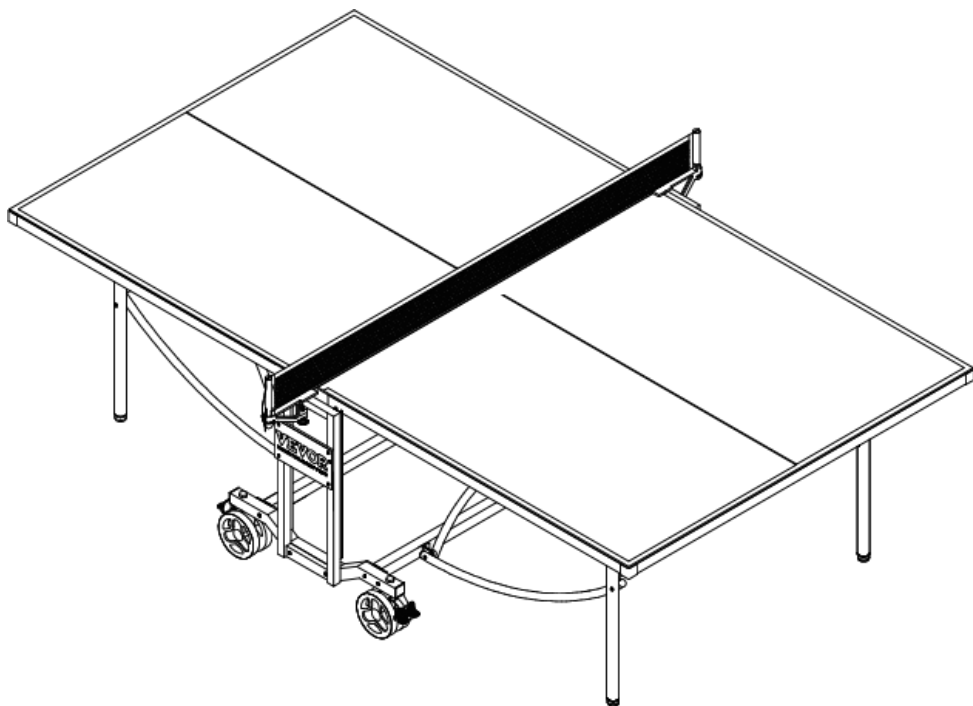
We continue to be committed to provide you tools with competitive price.

"Save Half", "Half Price" or any other similar expressions used by us only represents an estimate of savings you might benefit from buying certain tools with us compared to the major top brands and does not necessarily mean to cover all categories of tools offered by us. You are kindly reminded to verify carefully when you are placing an order with us if you are actually saving half in comparison with the top major brands.

VEVOR[®]

TOUGH TOOLS, HALF PRICE

OUTDOOR TABLE
TENNIS TABLE



NEED HELP? CONTACT US!

Have product questions? Need technical support? Please feel free to contact us:

Technical Support and E-Warranty Certificate
www.vevor.com/support

This is the original instruction, please read all manual instructions carefully before operating. VEVOR reserves a clear interpretation of our user manual. The appearance of the product shall be subject to the product you received. Please forgive us that we won't inform you again if there are any technology or software updates on our product.

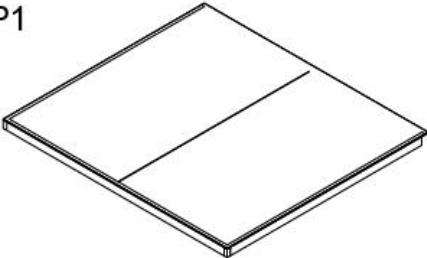



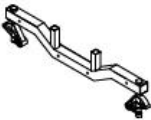













PRODUCT PARAMETERS

Model	Product grootte (mm)	Locatie van gebruik	Paneeldikte
VT003	2740X1525X760	Buitenshuis	6 mm




















Omgaan met apparatuur en onderhoud

31. Zorg ervoor dat de tafeltennistafel vóór gebruik volledig en nauwkeurig is gemonteerd.
32. De tafel mag niet door kinderen worden verplaatst, gemonteerd of opgeslagen zonder toezicht van volwassenen.
33. Zet de tafel op een vlakke ondergrond.
34. Dek hem niet af met plasticfolie, omdat daaronder condens kan ontstaan.
35. Gebruik geen bijtende of schurende materialen om de apparatuur schoon te maken, aangezien dit de oppervlakken van de tafel kan beschadigen. In de meeste gevallen is een licht vochtige doek voldoende .

PARTS IDENTIFIER

<p>P1</p>  <p>Table Tennis Top</p> <p>x2pcs</p>	<p>P2</p>  <p>Table Tennis Net</p> <p>x1pc</p>	<p>P3</p>  <p>Table Tennis Post</p> <p>x2pcs</p>
<p>P4</p>  <p>Connecti</p> <p>x2pcs</p>	<p>P5</p>  <p>Chassis</p> <p>x2pcs</p>	<p>P6</p>  <p>Side panel border</p> <p>x2pcs</p>
<p>P7</p>  <p>Poster board</p> <p>x2pcs</p>	<p>P8</p>  <p>Wheel</p> <p>x4set</p>	<p>P9</p>  <p>Wheel cover</p> <p>x8pcs</p>
<p>P10</p>  <p>P10B P10A</p> <p>Wheel brake pads</p> <p>x4set</p>	<p>P11</p>  <p>Sliding groove plastic screw</p> <p>x4set</p>	<p>P12</p>  <p>Circular tube</p> <p>x2pcs</p>
<p>P13</p>  <p>Circular tube</p> <p>x2pcs</p>	<p>P14</p>  <p>Circular tube</p> <p>x2pcs</p>	<p>P15</p>  <p>Handlebar</p> <p>x2pcs</p>
<p>P16</p>  <p>Plastic card slot</p> <p>x2pcs</p>	<p>P17</p>  <p>Circular tube</p> <p>x4pcs</p>	<p>P18</p>  <p>Circular tube</p> <p>x4pcs</p>

PARTS IDENTIFIER

<p>P19</p>  <p>Latch</p> <p style="text-align: right;">x4pcs</p>	<p>H1</p>  <p>M6x90 Bolt</p> <p style="text-align: right;">x4pcs</p>	<p>H2</p>  <p>M6x85 Bolt</p> <p style="text-align: right;">x4pcs</p>
<p>H3</p>  <p>M6x70 Bolt</p> <p style="text-align: right;">x4pcs</p>	<p>H4</p>  <p>M8x60 Bolt</p> <p style="text-align: right;">x4pcs</p>	<p>H5</p>  <p>M6x55 Bolt</p> <p style="text-align: right;">x8pcs</p>
<p>H6</p>  <p>M8x45 Bolt</p> <p style="text-align: right;">x4pcs</p>	<p>H7</p>  <p>M8*Ø16*8 Plastic washer</p> <p style="text-align: right;">x4pcs</p>	<p>H8</p>  <p>M8*Ø16*13 Plastic washer</p> <p style="text-align: right;">x8pcs</p>
<p>H9</p>  <p>M8*Ø16*4 Plastic washer</p> <p style="text-align: right;">x4pcs</p>	<p>H10</p>  <p>M6*Ø12*2 Plastic washer</p> <p style="text-align: right;">x48pcs</p>	<p>H11</p>  <p>M6 Lock Nut</p> <p style="text-align: right;">x24pcs</p>
<p>H12</p>  <p>M8 Lock Nut</p> <p style="text-align: right;">x4pcs</p>	<p>H13</p>  <p>M3*8 Screw</p> <p style="text-align: right;">x10pcs</p>	<p>H14</p>  <p>4x25mm Screw</p> <p style="text-align: right;">x10pcs</p>
<p>H15</p>  <p>M6L Tool</p> <p style="text-align: right;">x1pc</p>	<p>H16</p>  <p>M4L Tool</p> <p style="text-align: right;">x1pc</p>	<p>H17</p>  <p>Open end wrench</p> <p style="text-align: right;">x2pcs</p>
<p>H18</p>  <p>Plastic cover</p> <p style="text-align: right;">x4pcs</p>		

Product breakdown diagram

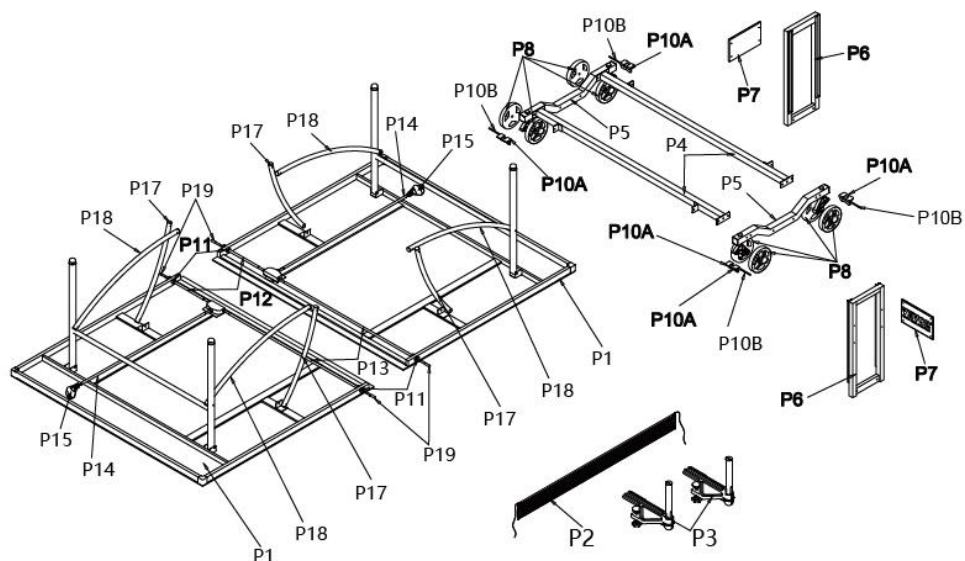


FIGURE 1

**WAARSCHUWING: SLEEP VOLWASSENEN NODIG MONTEER
ZWEMBADTAFEL**

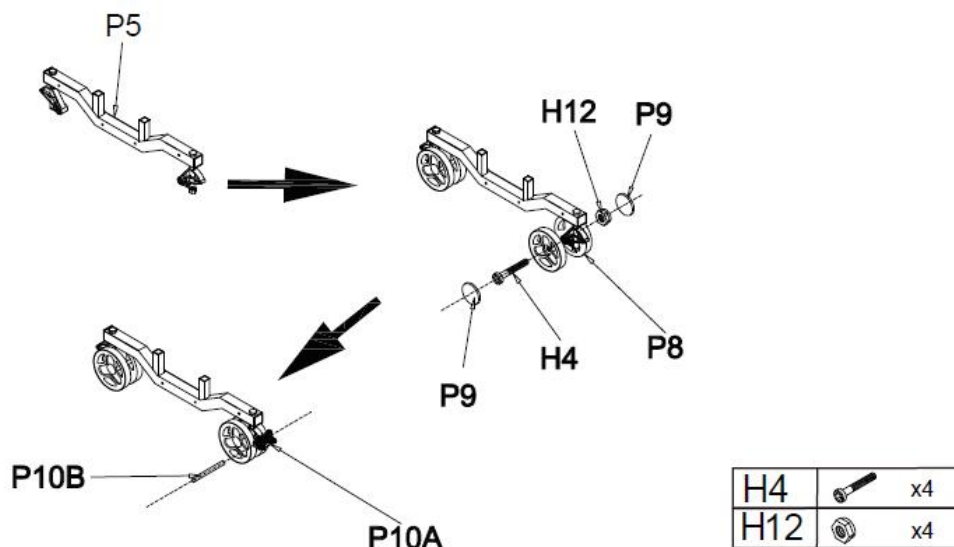


FIGURE 2

WAARSCHUWING: SLEEP VOLWASSENEN NODIG MONTEER
ZWEMBADTAFEL

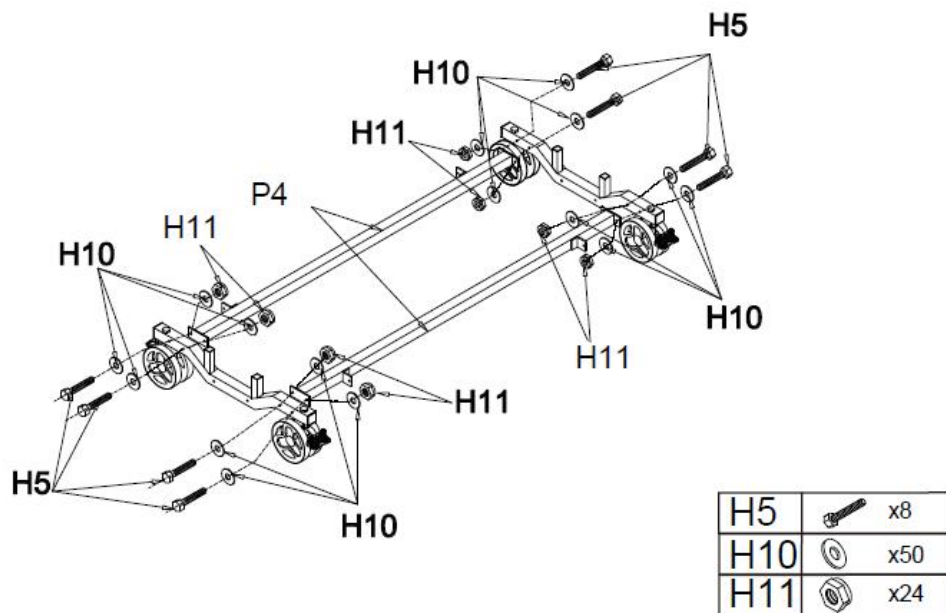


FIGURE 3

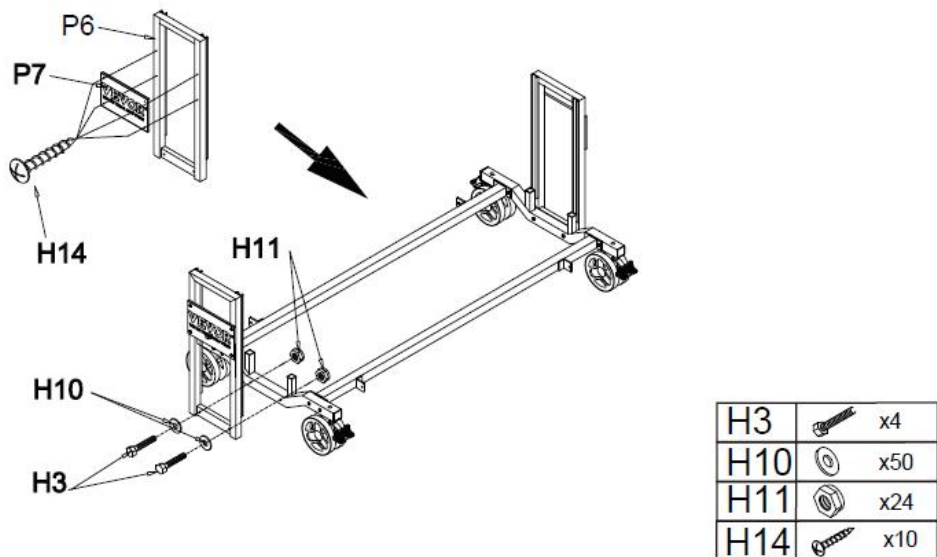


FIGURE 4

**WAARSCHUWING: SLEEF VOLWASSENEN NODIG MONTEER
ZWEMBADTAFEL**

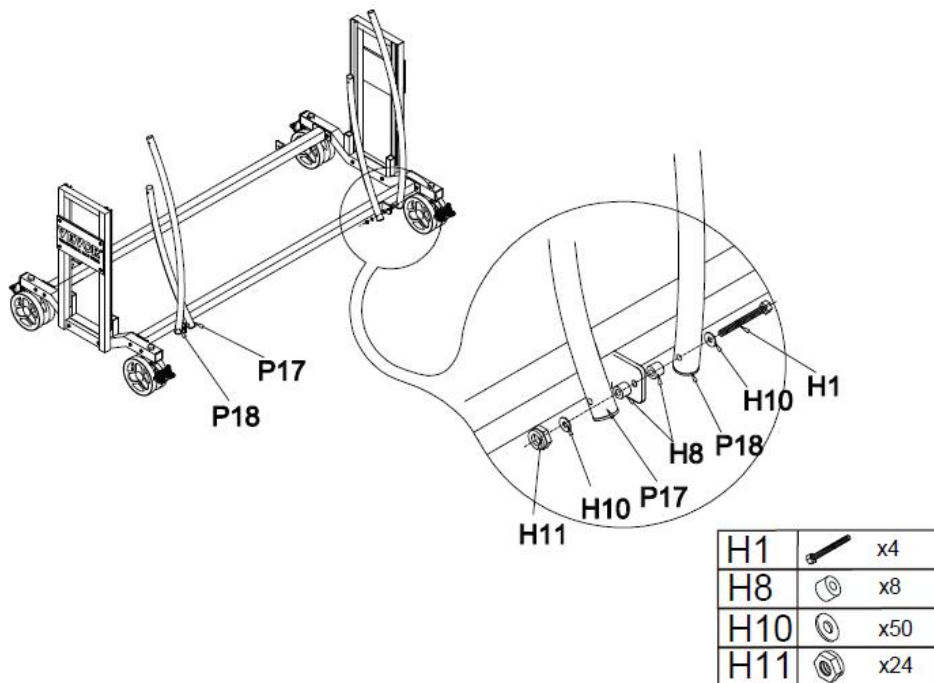


FIGURE 5

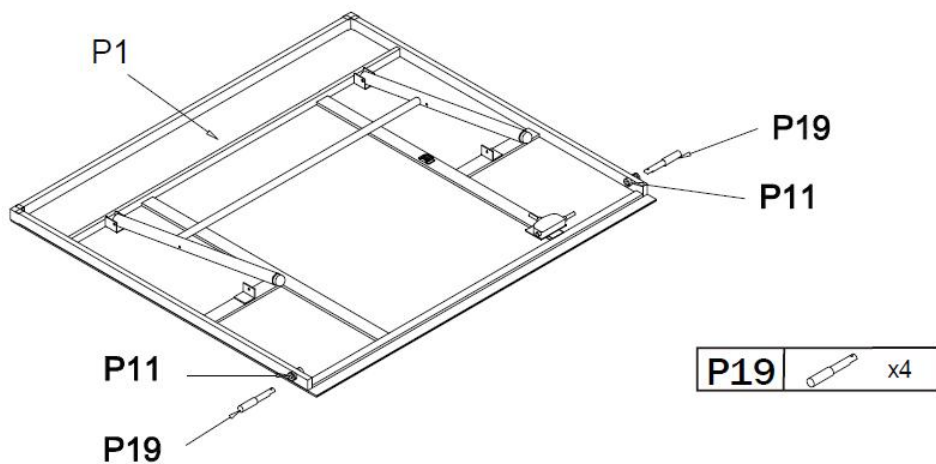


FIGURE 6

WAARSCHUWING: SLEEP VOLWASSENEN NODIG MONTEER

ZWEMBADTAFEL

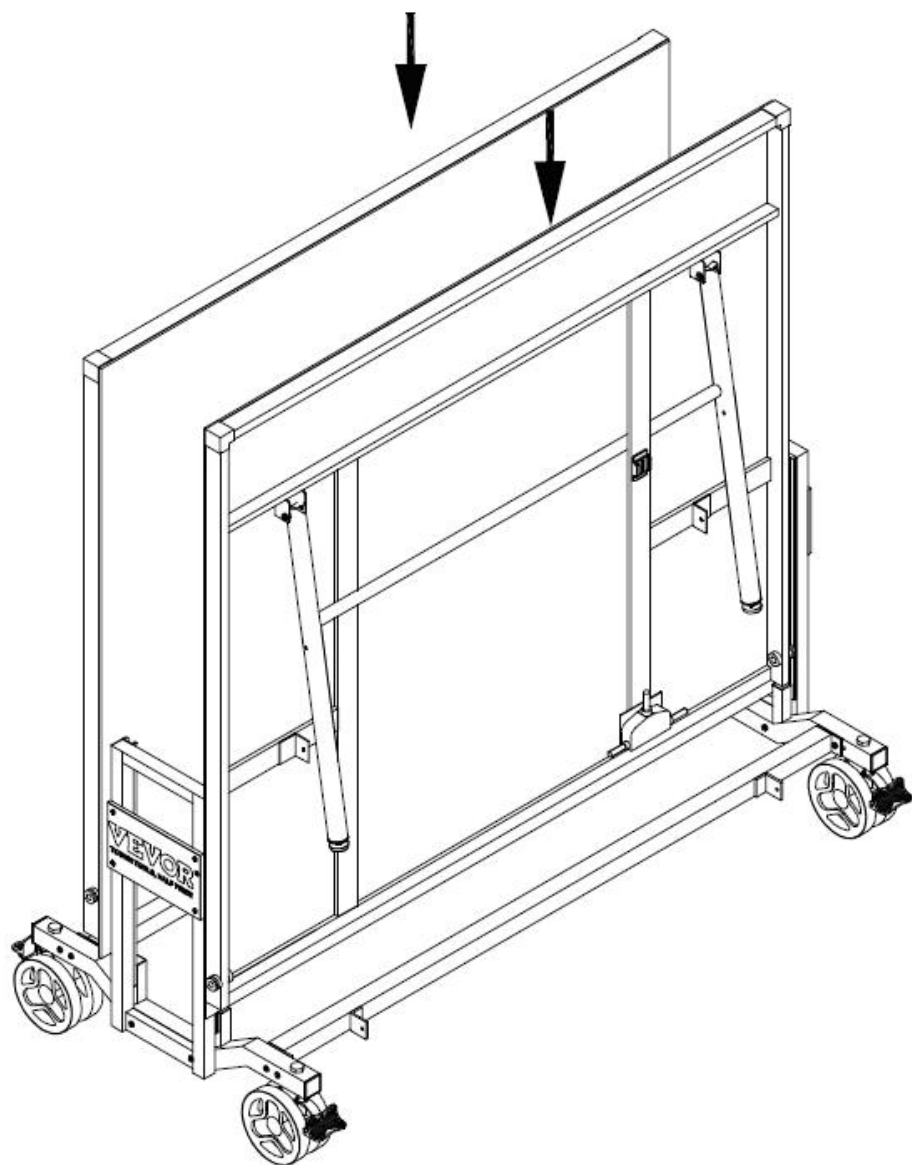
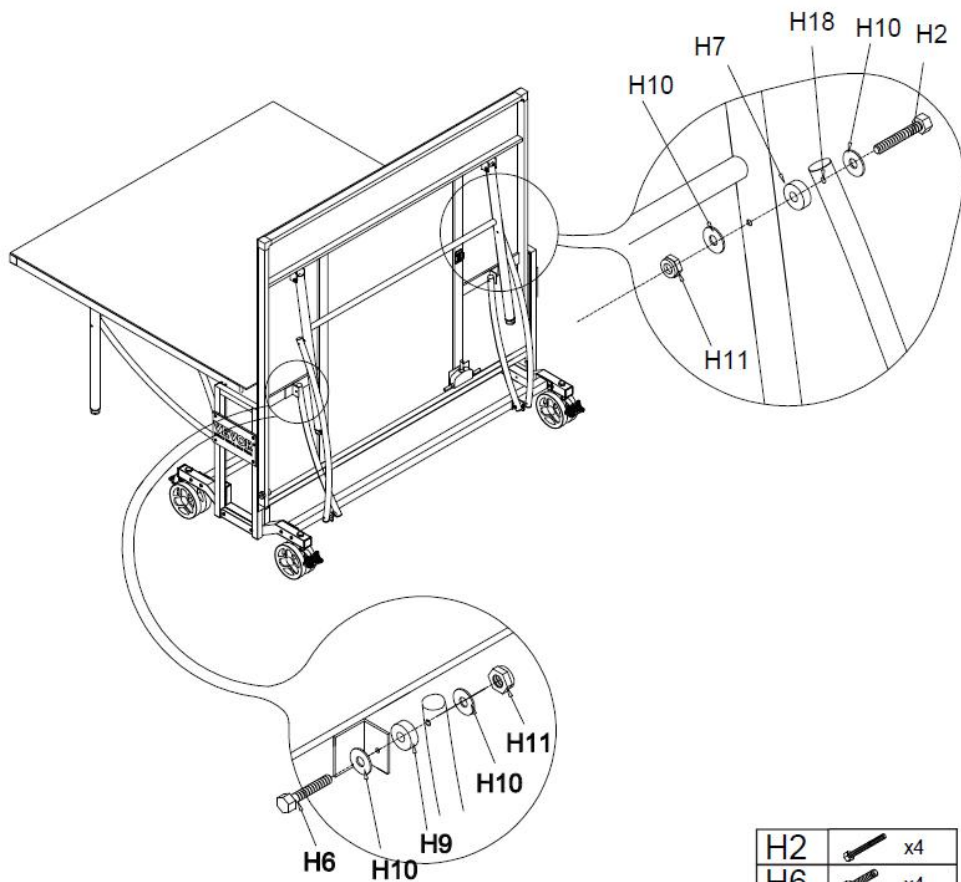


FIGURE 7

WAARSCHUWING: SLEEF VOLWASSENEN NODIG MONTEER
 ZWEMBADTAFEL









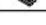
H2		x4
H6		x4
H7		x4
H9		x4
H10		x48
H11		x24
H18		x4

FIGURE 8

WAARSCHUWING: SLEEP VOLWASSENEN NODIG MONTEER
ZWEMBADTAFEL

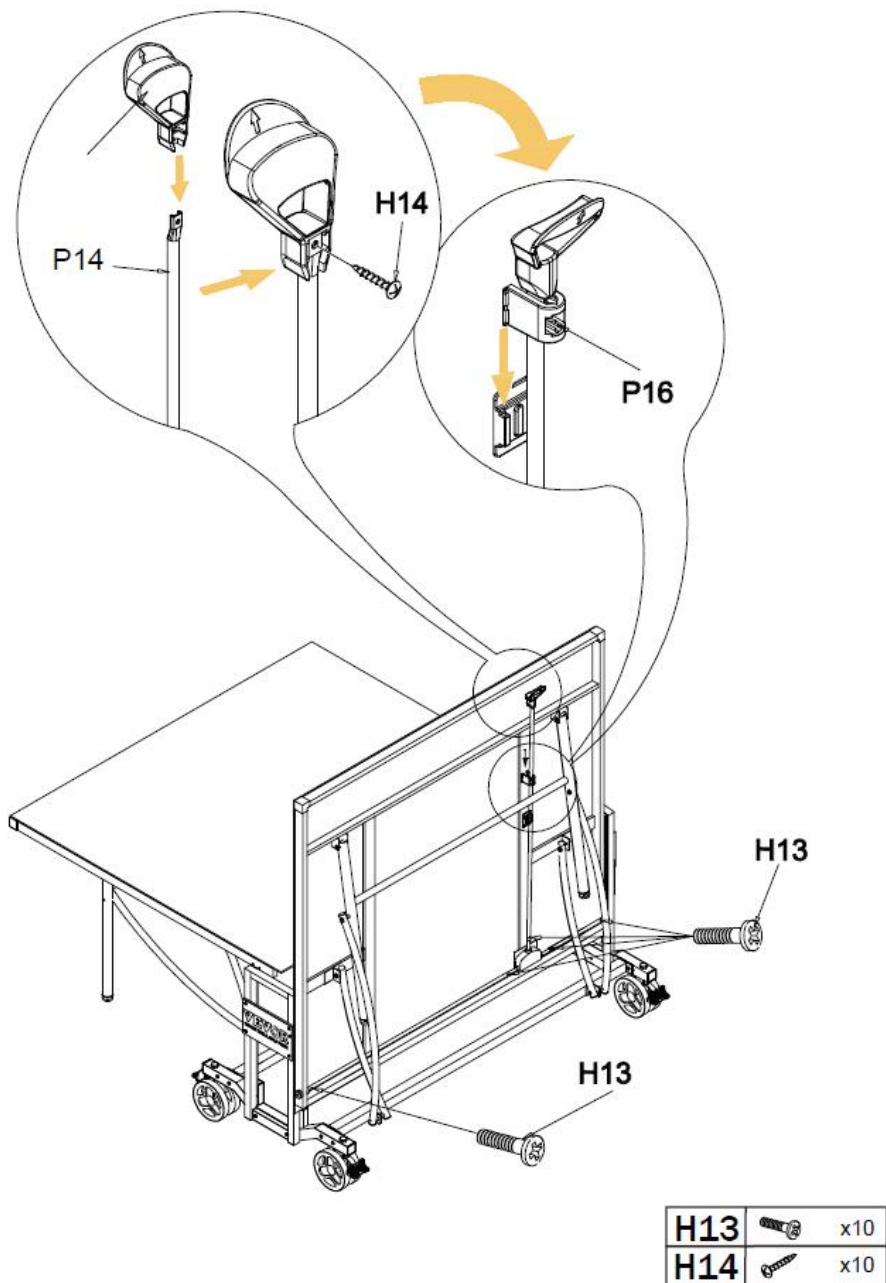
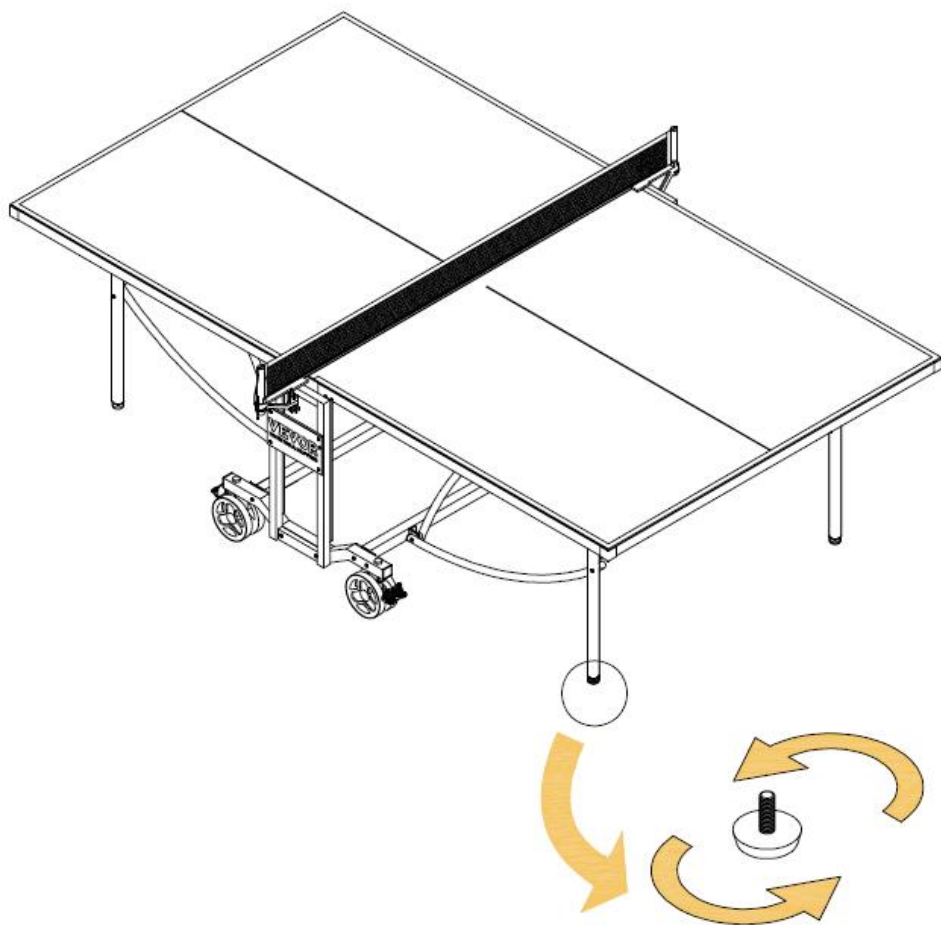


FIGURE 9

WAARSCHUWING: SLEEP VOLWASSENEN NODIG MONTEER

ZWEMBADTAFEL



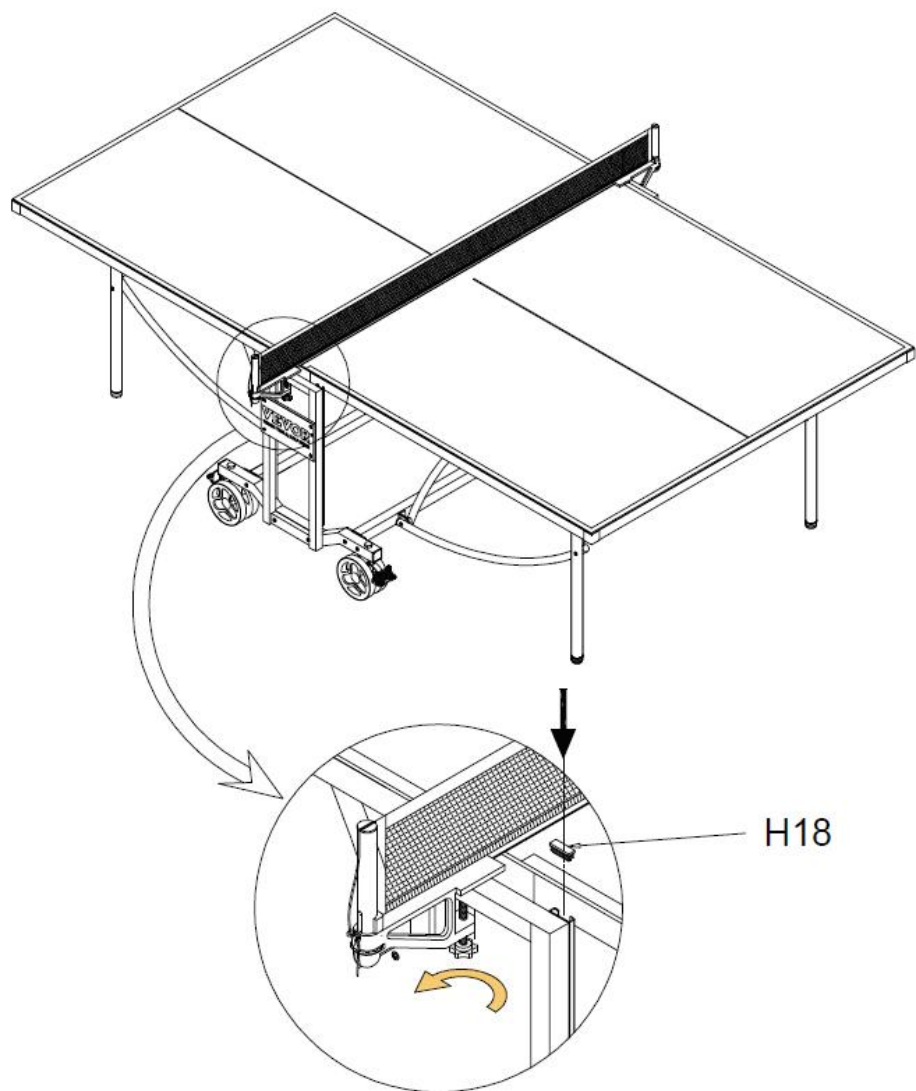
OPMERKING:

Als u merkt dat de grond oneffen is, kunt u de hoogte aanpassen met behulp van de poten

FIGURE 10

WAARSCHUWING: SLEEP VOLWASSENEN NODIG MONTEER

ZWEMBADTAFEL



H18

H18		x4
-----	---	----

Adres : Shuangchenglu 803nong11hao1602A-1609shi, baoshanqu, shanghai 200000 CN.

Geïmporteerd naar AUS: SIHAO PTY LTD, 1 ROKEVA
STREETEASTWOOD NSW 2122 Australië

Geïmporteerd naar de VS: Sanven Technology Ltd., Suite 250, 9166
Anaheim Place, Rancho Cucamonga, CA 91730

EC	REP
-----------	------------

E-CrossStu GmbH
Mainzer Landstr.69, 60329 Frankfurt am Main.

UK	REP
-----------	------------

YH CONSULTING LIMITED.
C/O YH Consulting Limited Office 147, Centurion House,
London Road. Staines-upon-Thames. Surrey. TW18 4AX

VEVOR[®]

TOUGH TOOLS, HALF PRICE

Technisch Ondersteuning en e-garantiecertificaat

www.vevor.com/support

VEVOR[®]

TOUGH TOOLS, HALF PRICE

Teknisk Support och e-garanticertifikat

www.vevor.com/support

UTOMHUS BORDTENNISBORD

MODELL: VT003

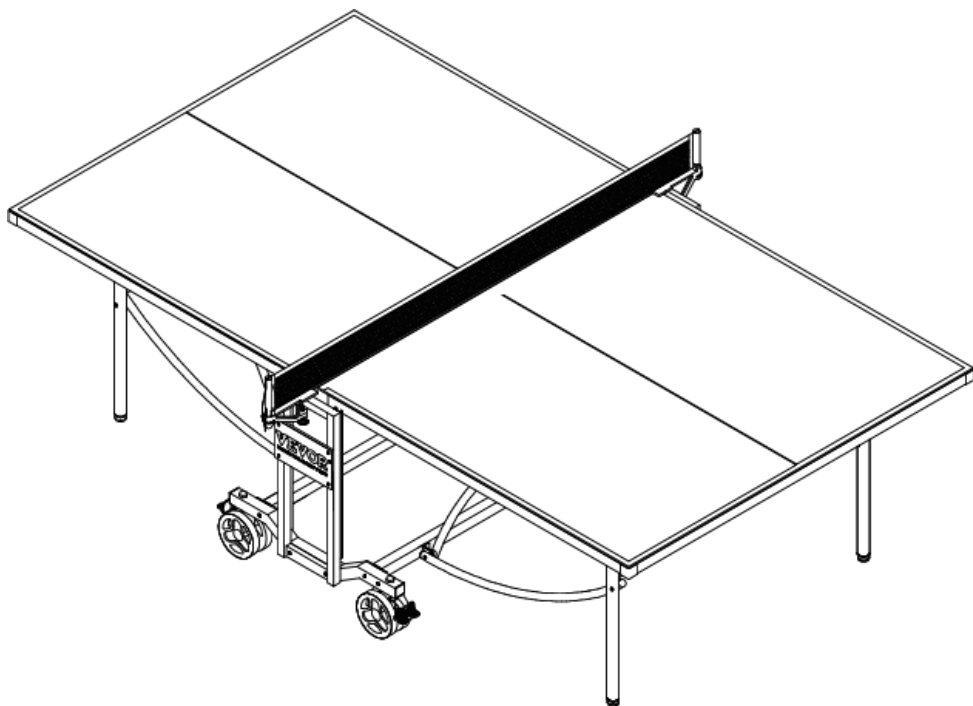
We continue to be committed to provide you tools with competitive price.

"Save Half", "Half Price" or any other similar expressions used by us only represents an estimate of savings you might benefit from buying certain tools with us compared to the major top brands and does not necessarily mean to cover all categories of tools offered by us. You are kindly reminded to verify carefully when you are placing an order with us if you are actually saving half in comparison with the top major brands.

VEVOR[®]

TOUGH TOOLS, HALF PRICE

OUTDOOR TABLE
TENNIS TABLE



NEED HELP? CONTACT US!

Have product questions? Need technical support? Please feel free to contact us:

Technical Support and E-Warranty Certificate
www.vevor.com/support

This is the original instruction, please read all manual instructions carefully before operating. VEVOR reserves a clear interpretation of our user manual. The appearance of the product shall be subject to the product you received. Please forgive us that we won't inform you again if there are any technology or software updates on our product.

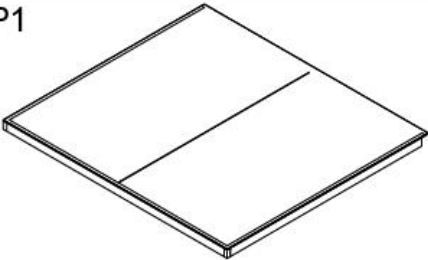



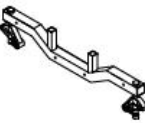
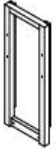



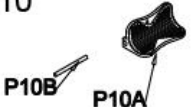








PRODUCT PARAMETERS

Modell	Produktstorlek (mm)	Användningsplats	Paneltjocklek
VT003	2740X1525X760	Utomhus	6 mm




















Hantering av utrustning och underhåll

36. Se till att bordtennisbordet är helt och noggrant monterat före användning.
37. Bordet bör inte flyttas, monteras eller förvaras av barn utan uppsikt av vuxen.
38. Ställ upp bordet på en jämn yta.
39. Täck den inte med plastfolie eftersom kondens kan bildas under den.
40. Använd inte frätande eller nötande material för att rengöra utrustningen eftersom det kan skada bordets ytor. I de flesta fall räcker det med en lätt fuktad trasa .

PARTS IDENTIFIER

<p>P1</p>  <p>Table Tennis Top</p> <p>x2pcs</p>	<p>P2</p>  <p>Table Tennis Net</p> <p>x1pc</p>	<p>P3</p>  <p>Table Tennis Post</p> <p>x2pcs</p>
<p>P4</p>  <p>Connecti</p> <p>x2pcs</p>	<p>P5</p>  <p>Chassis</p> <p>x2pcs</p>	<p>P6</p>  <p>Side panel border</p> <p>x2pcs</p>
<p>P7</p>  <p>Poster board</p> <p>x2pcs</p>	<p>P8</p>  <p>Wheel</p> <p>x4set</p>	<p>P9</p>  <p>Wheel cover</p> <p>x8pcs</p>
<p>P10</p>  <p>P10B P10A</p> <p>Wheel brake pads</p> <p>x4set</p>	<p>P11</p>  <p>Sliding groove plastic screw</p> <p>x4set</p>	<p>P12</p>  <p>Circular tube</p> <p>x2pcs</p>
<p>P13</p>  <p>Circular tube</p> <p>x2pcs</p>	<p>P14</p>  <p>Circular tube</p> <p>x2pcs</p>	<p>P15</p>  <p>Handlebar</p> <p>x2pcs</p>
<p>P16</p>  <p>Plastic card slot</p> <p>x2pcs</p>	<p>P17</p>  <p>Circular tube</p> <p>x4pcs</p>	<p>P18</p>  <p>Circular tube</p> <p>x4pcs</p>

PARTS IDENTIFIER

<p>P19</p>  <p>Latch</p> <p>x4pcs</p>	<p>H1</p>  <p>M6x90 Bolt</p> <p>x4pcs</p>	<p>H2</p>  <p>M6x85 Bolt</p> <p>x4pcs</p>
<p>H3</p>  <p>M6x70 Bolt</p> <p>x4pcs</p>	<p>H4</p>  <p>M8x60 Bolt</p> <p>x4pcs</p>	<p>H5</p>  <p>M6x55 Bolt</p> <p>x8pcs</p>
<p>H6</p>  <p>M8x45 Bolt</p> <p>x4pcs</p>	<p>H7</p>  <p>M8*Ø16*8 Plastic washer</p> <p>x4pcs</p>	<p>H8</p>  <p>M8*Ø16*13 Plastic washer</p> <p>x8pcs</p>
<p>H9</p>  <p>M8*Ø16*4 Plastic washer</p> <p>x4pcs</p>	<p>H10</p>  <p>M6*Ø12*2 Plastic washer</p> <p>x48pcs</p>	<p>H11</p>  <p>M6 Lock Nut</p> <p>x24pcs</p>
<p>H12</p>  <p>M8 Lock Nut</p> <p>x4pcs</p>	<p>H13</p>  <p>M3*8 Screw</p> <p>x10pcs</p>	<p>H14</p>  <p>4x25mm Screw</p> <p>x10pcs</p>
<p>H15</p>  <p>M6L Tool</p> <p>x1pc</p>	<p>H16</p>  <p>M4L Tool</p> <p>x1pc</p>	<p>H17</p>  <p>Open end wrench</p> <p>x2pcs</p>
<p>H18</p>  <p>Plastic cover</p> <p>x4pcs</p>		

Product breakdown diagram

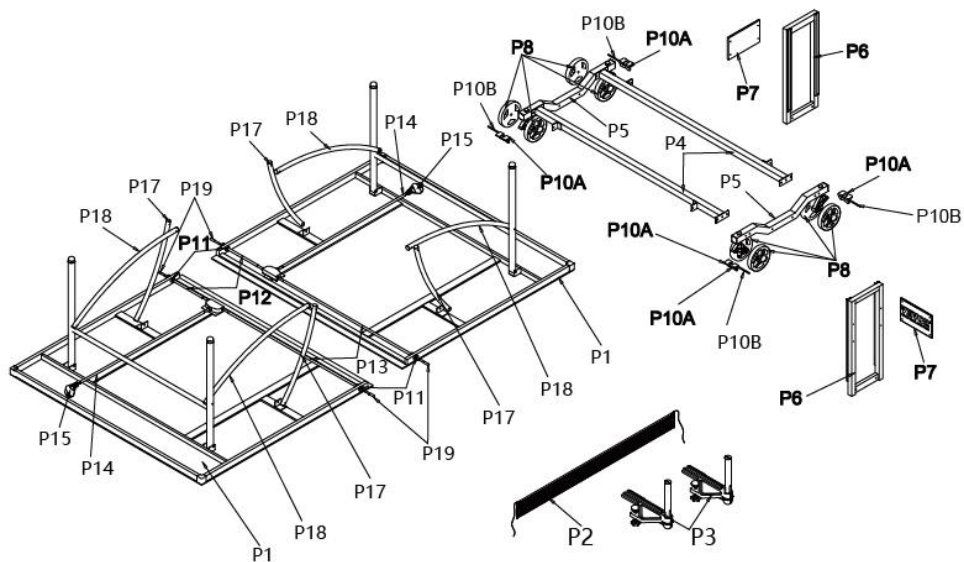


FIGURE 1

VARNING: DRAG VUXNA BEHÖVER MONTERA BILJARDBORD

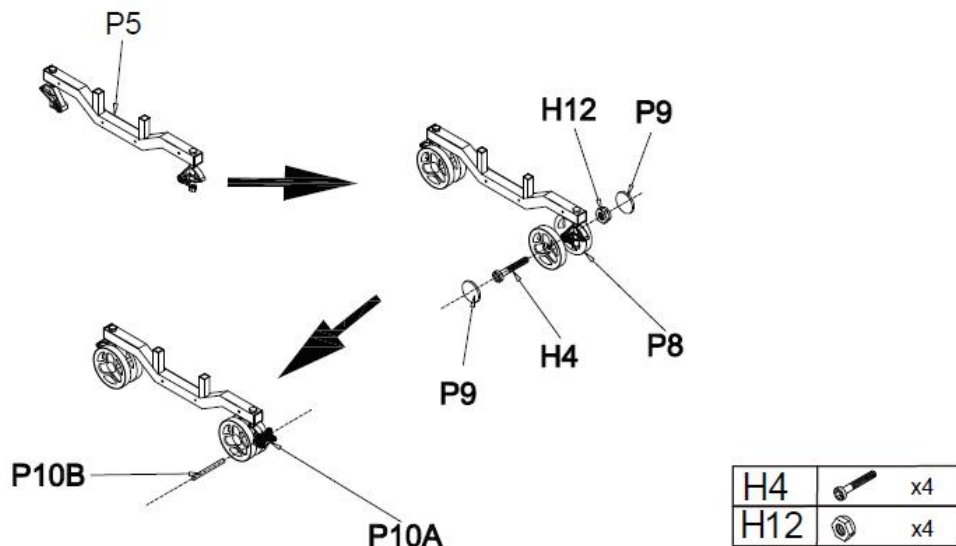


FIGURE 2

VARNING: DRAG VUXNA BEHÖVER MONTERA BILJARDBORD

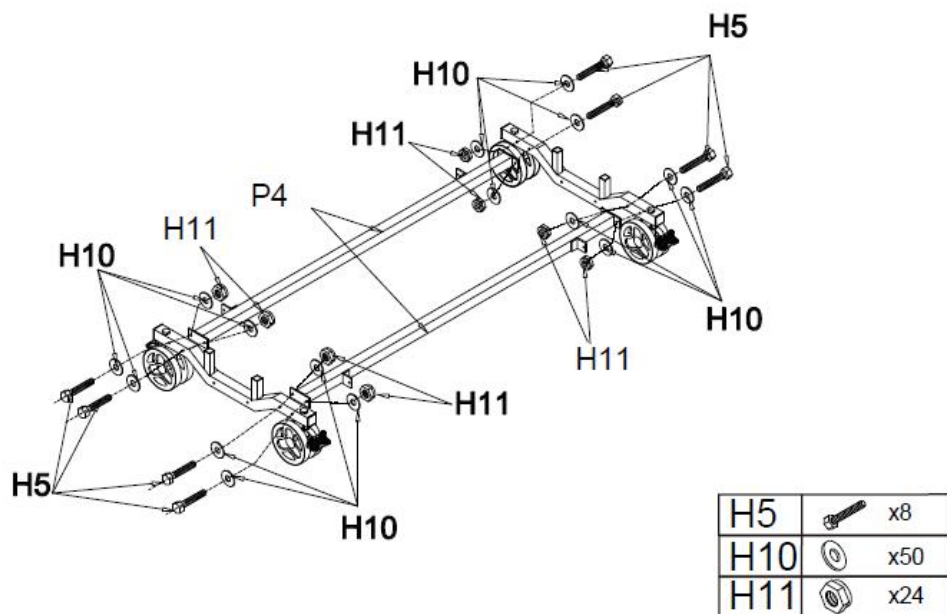


FIGURE 3

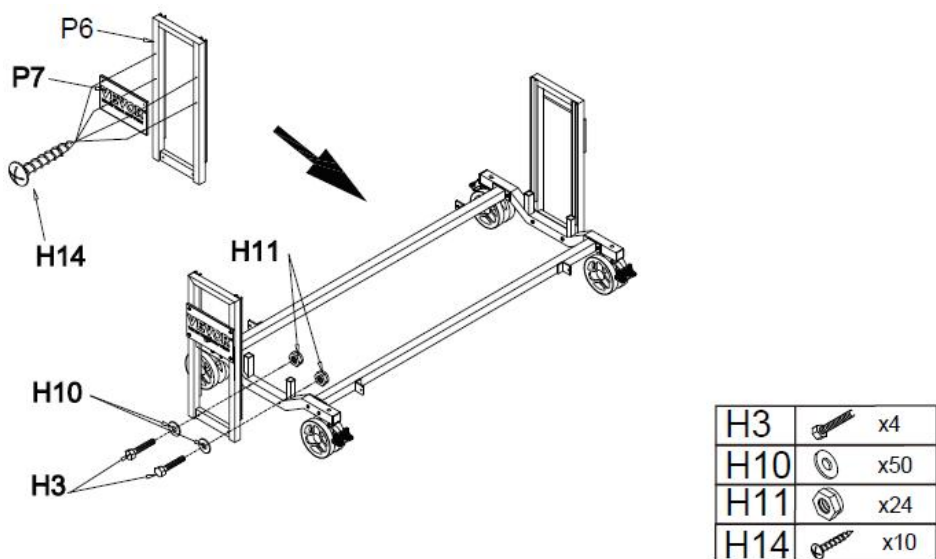


FIGURE 4

VARNING: DRAG VUXNA BEHÖVER MONTERA BILJARBORD

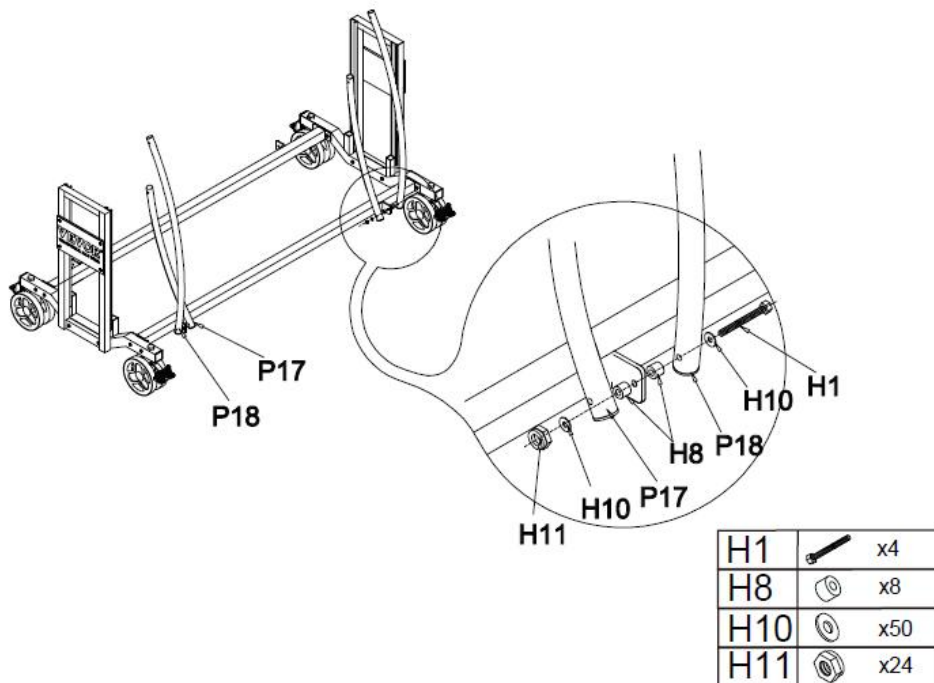


FIGURE 5

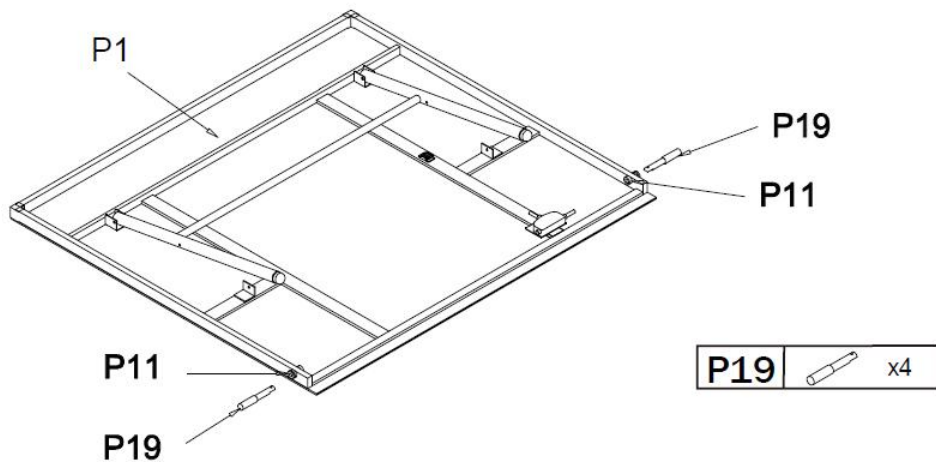


FIGURE 6

VARNING: DRAG VUXNA BEHÖVER MONTERA BILJARBORD

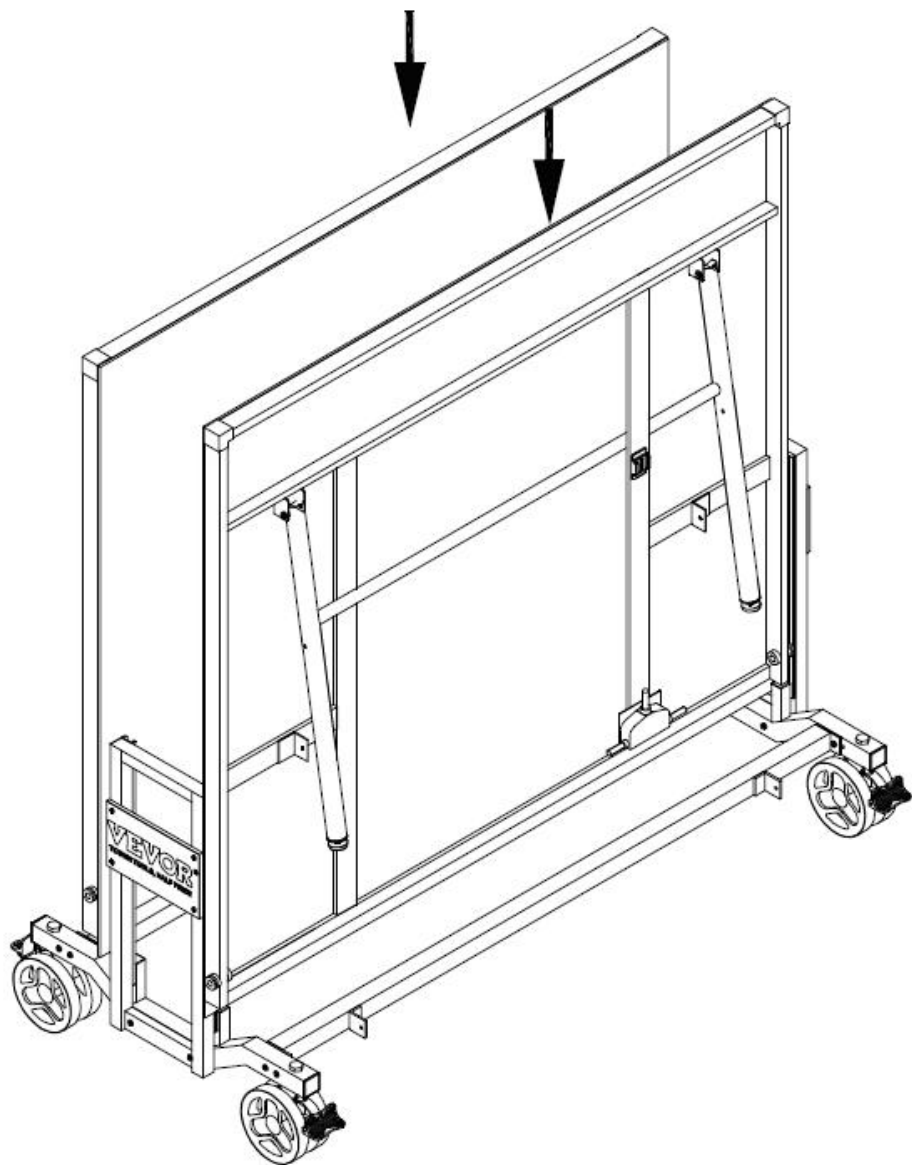
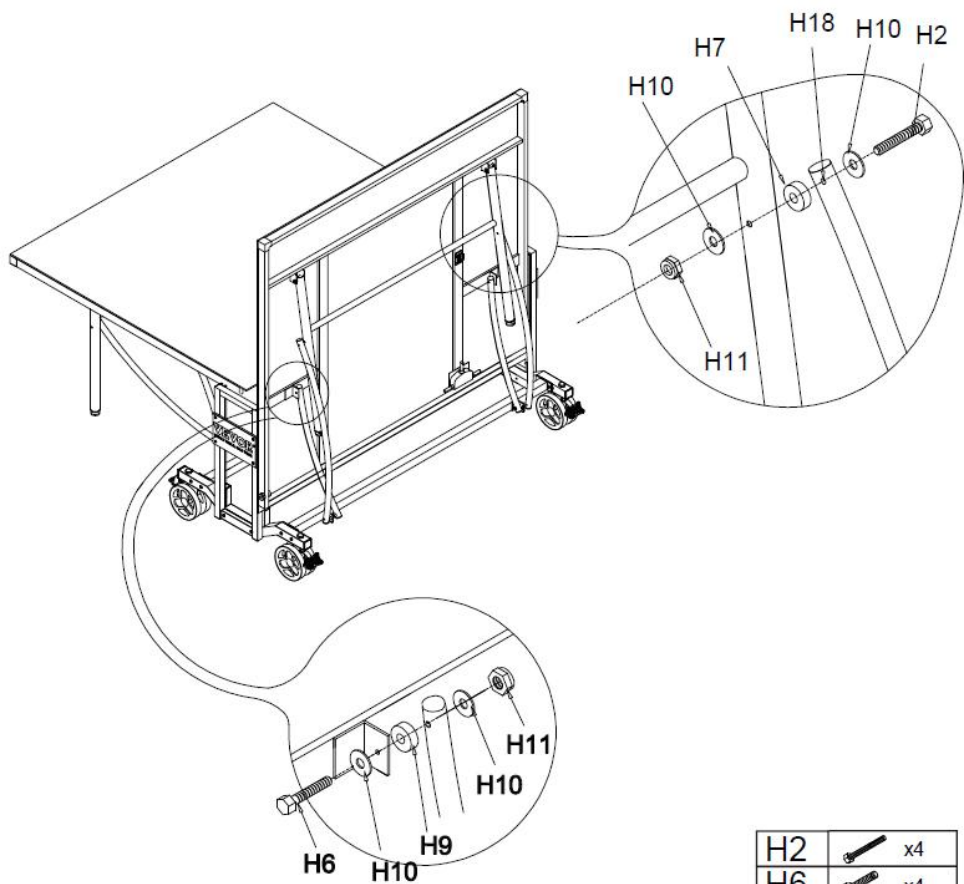


FIGURE 7

VARNING: DRAG VUXNA BEHÖVER MONTERA BILJARDBORD









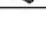
H2		x4
H6		x4
H7		x4
H9		x4
H10		x48
H11		x24
H18		x4

FIGURE 8

VARNING: DRAG VUXNA BEHÖVER MONTERA BILJARDBORD

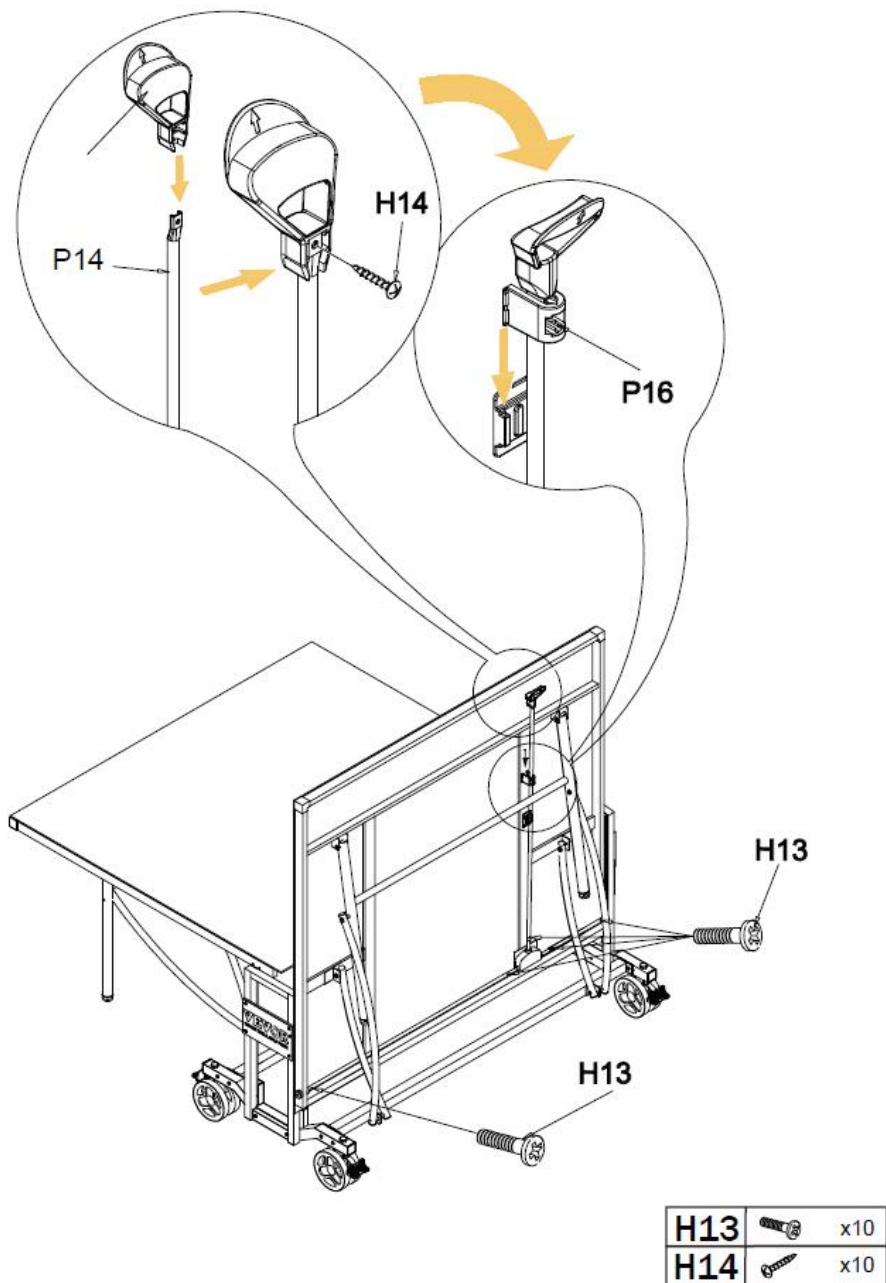
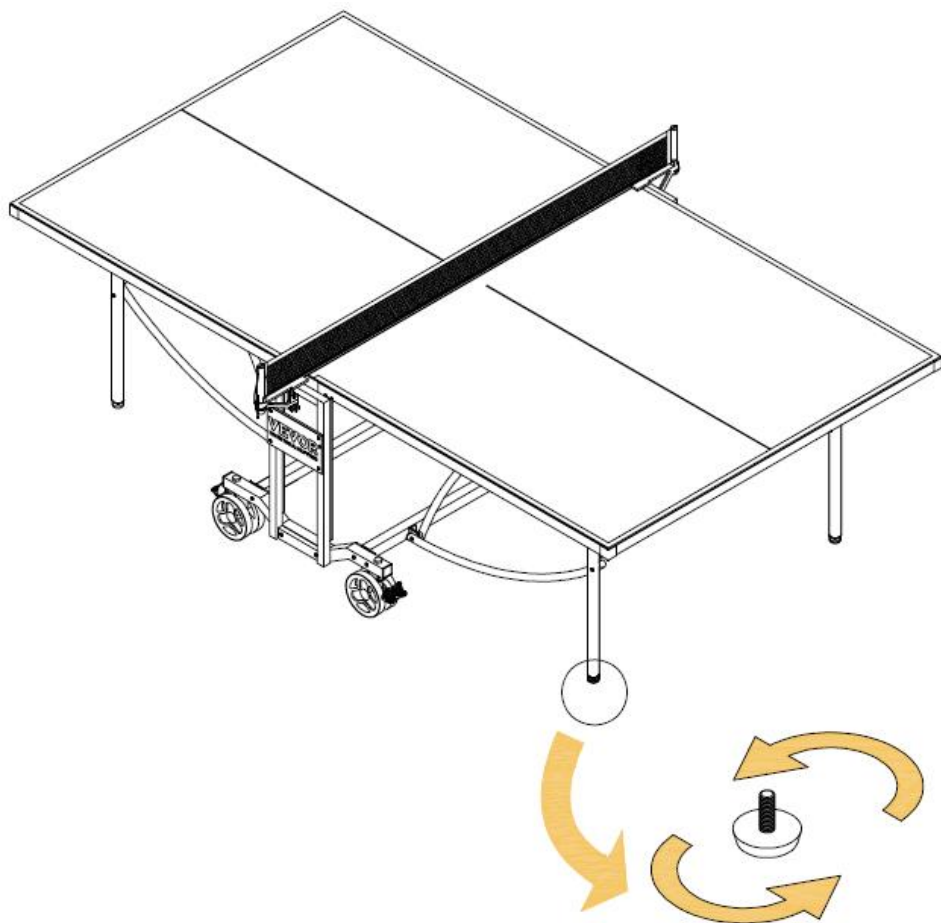


FIGURE 9

VARNING: DRAG VUXNA BEHÖVER MONTERA BILJARBORD

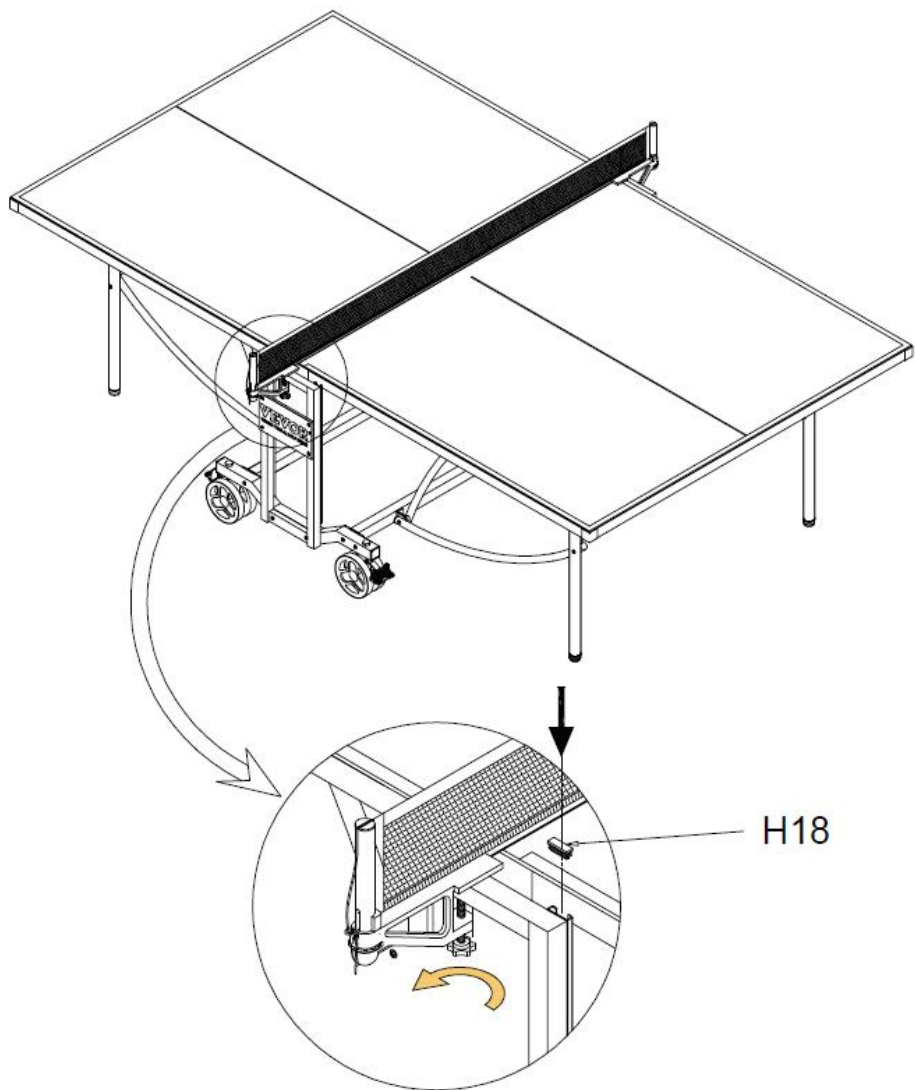


NOTERA:

När du upptäcker att underlaget är ojämnt kan du justera höjden med hjälp av benutjämnaren

FIGURE 10

VARNING: DRAG VUXNA BEHÖVER MONTERA BILJARDBORD



H18		x4
-----	---	----

Address : Shuangchenglu 803nong11hao1602A-1609shi, baoshanqu, shanghai 200000 CN.

Importerad till AUS: SIHAO PTY LTD, 1 ROKEVA STREETEASTWOOD NSW 2122 Australien

Importerad till USA: Sanven Technology Ltd., Suite 250, 9166 Anaheim Place, Rancho Cucamonga, CA 91730

EC	REP
-----------	------------

E-CrossStu GmbH
Mainzer Landstr.69, 60329 Frankfurt am Main.

UK	REP
-----------	------------

YH CONSULTING LIMITED.
C/O YH Consulting Limited Office 147, Centurion House,
London Road. Staines-upon-Thames. Surrey. TW18 4AX

VEVOR[®]

TOUGH TOOLS, HALF PRICE

Teknisk Support och e-garanticertifikat

www.vevor.com/support

