

VEVOR[®]

TOUGH TOOLS, HALF PRICE

Technical Support and E-Warranty Certificate

www.vevor.com/support

PRECISION MACHINE PLIERS

MODEL:QM160/QM160Q

We continue to be committed to provide you tools with competitive price.

"Save Half", "Half Price" or any other similar expressions used by us only represents an estimate of savings you might benefit from buying certain tools with us compared to the major top brands and does not necessarily mean to cover all categories of tools offered by us. You are kindly reminded to verify carefully when you are placing an order with us if you are actually saving half in comparison with the top major brands.

VEVOR[®]

TOUGH TOOLS, HALF PRICE

PRECISION
MACHINE PLIERS

MODEL:QM160/QM160Q



Warning-To reduce the risk of injury, user must read instructions manual carefully.

NEED HELP? CONTACT US!

Have product questions? Need technical support? Please feel free to contact us:

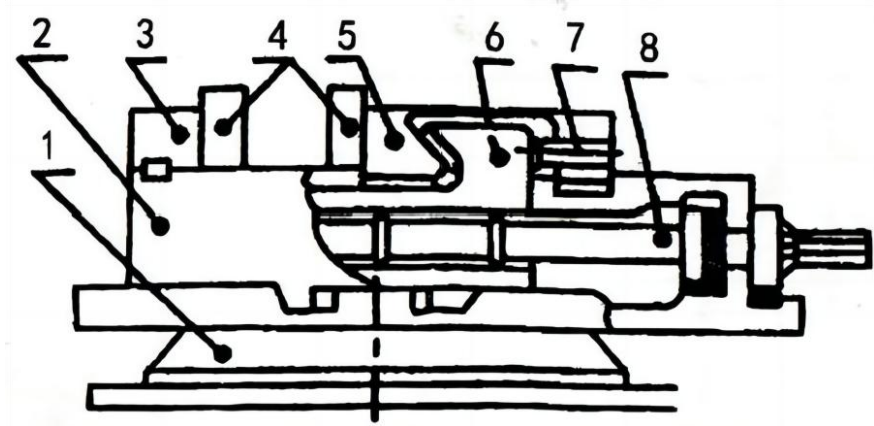
Technical Support and E-Warranty Certificate
www.vevor.com/support

This is the original instruction, please read all manual instructions carefully before operating. VEVOR reserves a clear interpretation of our user manual. The appearance of the product shall be subject to the product you received. Please forgive us that we won't inform you again if there are any technology or software updates on our product.

MAIN STRUCTURE AND EXPLANATION

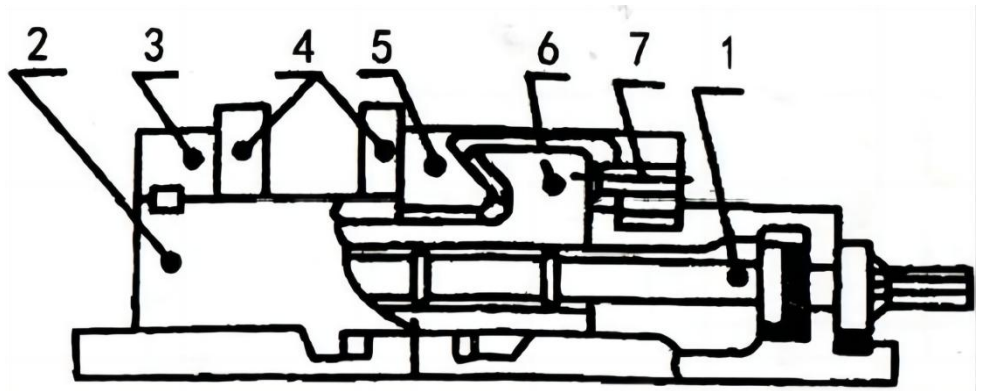
Main structure(see beloweng figure)

QM160Q



- | | | |
|------------------|-----------------------------|----------------------------|
| 1.Base | 2.Body | 3.Fixed mouth of the tongs |
| 4.mouth of tongs | 5.Active mouth of the tongs | 6.Nut |
| 7.Adjust screw | 8.Screw | |

QM160



- | | | |
|------------------|-----------------------------|----------------------------|
| 1.Screw | 2. Body | 3.Fixed mouth of the tongs |
| 4.mouth of tongs | 5.Active mouth of the tongs | 6.Nut |
| 7.Adjust screw | | |

OPERATION MANUAL

MAIN USE AND PERFORMANCE

- 1.This product is main attachments to precision millings grinders nc machines.
- 2.When active mouth of the tongs level migration,Above it half sphere can have a vertical downward pressure, therefore the clamp work piece cannot surface the boat.
- 3.The mouth of the tongs opens the opening to be possible to act according to four direction changes.

Uses and maintains

- 1.advert:Middle has an adjuster bolt in active mouth of the tongs behind, uses in eliminating the nut with pliers bodyibetween gap,enable between both to have a correct connection, if connects too tightly,on the active mouth of the tongs half sphere can shift,too loose, guide screw and nut not eoncentric, the guide screw passes time is difficult.
- 2.In the transportation and the operation,forbid strictly the rap and the collision, otherwise the precision is unable to guarantee.
- 3.In order to guarantee the operation is nimble,all active parts need to be lubricated frequently.

SPECIFICATION

mm

	QM160	QM160Q
Mouth of the tongs width	170	170
Mouth of the tongs altitude	45	45
Biggest clamping force	29KN	29KN
Localization width of key	18	18
Screw rod six square head widths	19	19
Diameter of bolt	M16	M16

CARE INSTRUCTIONS

Don't put the scale on an uneven surface

Don't expose scale to moisture

Don't drop or mistreat the scale

Don't overload the scale. This will permanently damage it!

Don't leave weight on the scale when not in use.

Replace battery when the scale shows "LO" on the display.

Manufacturer: Shanghaimuxinmuyeyouxiangongsi

Address: Shuangchenglu 803nong11hao1602A-1609shi, baoshanqu, shanghai 200000 CN.

Imported to AUS: SIHAO PTY LTD, 1 ROKEVA STREETEASTWOOD NSW 2122 Australia

Imported to USA: Sanven Technology Ltd., Suite 250, 9166 Anaheim Place, Rancho Cucamonga, CA 91730

EC	REP
-----------	------------

E-CrossStu GmbH
Mainzer Landstr.69, 60329 Frankfurt am Main.

UK	REP
-----------	------------

YH CONSULTING LIMITED.
C/O YH Consulting Limited Office 147, Centurion House,
London Road, Staines-upon-Thames, Surrey, TW18 4AX

VEVOR[®]

TOUGH TOOLS, HALF PRICE

Technical Support and E-Warranty Certificate

www.vevor.com/support

VEVOR[®]

TOUGH TOOLS, HALF PRICE

Technique Certificat d'assistance et de garantie électronique

www.vevor.com/support

PRÉCISION MACHINE PINCES

MODÈLE : QM160/QM160Q

We continue to be committed to provide you tools with competitive price.

"Save Half", "Half Price" or any other similar expressions used by us only represents an estimate of savings you might benefit from buying certain tools with us compared to the major top brands and does not necessarily mean to cover all categories of tools offered by us. You are kindly reminded to verify carefully when you are placing an order with us if you are actually saving half in comparison with the top major brands.

VEVOR®

TOUGH TOOLS, HALF PRICE

PRECISION
MACHINE PLIERS

MODÈLE : QM160/QM160Q



Avertissement - Pour réduire le risque de blessure, l'utilisateur doit lire attentivement le manuel d'instructions.

NEED HELP? CONTACT US!

Have product questions? Need technical support? Please feel free to contact us:

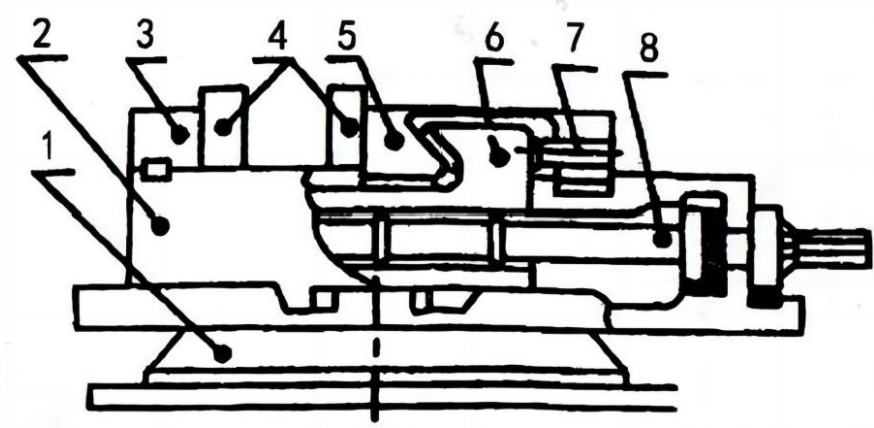
Technical Support and E-Warranty Certificate
www.vevor.com/support

This is the original instruction, please read all manual instructions carefully before operating. VEVOR reserves a clear interpretation of our user manual. The appearance of the product shall be subject to the product you received. Please forgive us that we won't inform you again if there are any technology or software updates on our product.

MAIN STRUCTURE AND EXPLANATION

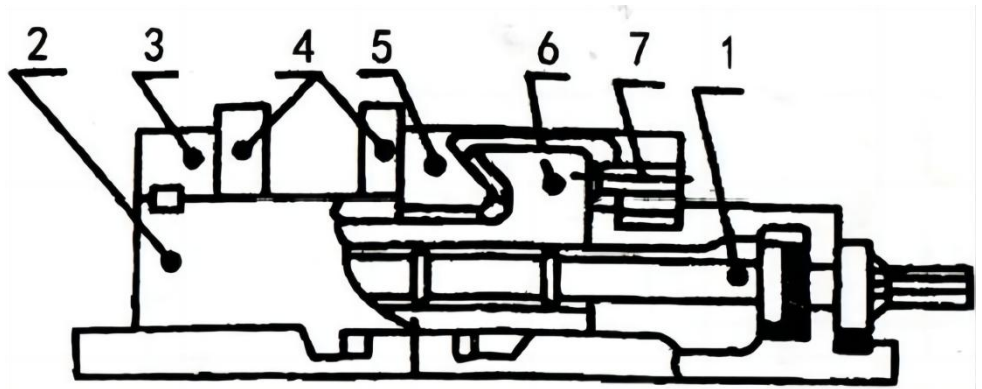
Principal structure (voir ci-dessous chiffre)

QM160Q



1. Base 2. Corps 3. Embouchure fixe des pinces 4.
Embouchure des pinces 5. Bouche active des pinces 6. Noix
7. Vis de réglage 8. Vis

QM160



1. Vis 2. Corps 3. Embout fixe de la pince
4. bouche de pinces 5. Actif bouche de le pinces 6. Noix
7. Ajuster vis

OPERATION MANUAL

PRINCIPAL UTILISER ET PERFORMANCE

1. Ce produit est l'accessoire principal des fraiseuses de précision et des machines à commande numérique.
2. Lorsque la bouche active de la pince se déplace au niveau de la demi-sphère, au-dessus de celle-ci, une pression verticale vers le bas peut s'exercer, de sorte que la pièce de serrage ne peut pas faire surface sur le bateau.
3. L'embouchure de la pince ouvre l'ouverture pour pouvoir agir selon quatre changements de direction.

Utilisations et entretien

1. annonce : le milieu a un boulon de réglage dans la bouche active de la pince derrière, utilisé pour éliminer l'écrou avec l'espace entre le corps de la pince, permettant entre les deux d'avoir une connexion correcte, si la connexion est trop serrée, sur la bouche active de la pince, la demi-sphère peut se déplacer, trop lâche, la vis de guidage et l'écrou ne sont pas centraux, la vis de guidage passe le temps est difficile.
2. Pendant le transport et l'opération, interdire strictement le coup et la collision, sinon la précision ne peut être garantie.
3. Afin de garantir un fonctionnement souple, toutes les pièces actives doivent être lubrifiées fréquemment.

SPECIFICATION

mm

	QM160	QM160 Q
Largeur de l'embouchure de la pince	170	170
Altitude de la bouche des pinces	45	45
Force de serrage la plus élevée	29KN	29KN
Largeur de localisation de la clé	18	18
Tige filetée à six têtes carrées de largeur	19	19
Diamètre du boulon	M16	M16

CARE INSTRUCTIONS

Ne placez pas la balance sur une surface inégale

N'exposez pas la balance à l'humidité

Ne laissez pas tomber et ne maltraitez pas la balance

Ne surchargez pas la balance. Cela l'endommagerait définitivement !

Ne laissez pas de poids sur la balance lorsqu'elle n'est pas utilisée.

Remplacez la pile lorsque la balance affiche « LO » sur l'écran.

Fabricant : Shanghaimuxinmuyeyouxiangongsi

Adresse : Shuangchenglu 803nong11hao1602A-1609shi, baoshanqu, shanghai 200000 CN.

Importé en Australie : SIHAO PTY LTD, 1 ROKEVA STREET, ASTWOOD NSW 2122 Australie

Importé aux États-Unis : Sanven Technology Ltd., Suite 250, 9166 Anaheim Place, Rancho Cucamonga, CA 91730

EC	REP
-----------	------------

E-CrossStu GmbH
Mainzer Landstr.69, 60329 Frankfurt am Main.

UK	REP
-----------	------------

YH CONSULTING LIMITED.
C/O YH Consulting Limited Office 147, Centurion House,
London Road, Staines-upon-Thames, Surrey, TW18 4AX

VEVOR[®]

TOUGH TOOLS, HALF PRICE

Technique Certificat d'assistance et de garantie électronique

www.vevor.com/support

VEVOR[®]

TOUGH TOOLS, HALF PRICE

Technisch Support und E-Garantie-Zertifikat

www.vevor.com/support

PRÄZISION MASCHINE ZANGE

MODELL: QM160/QM160Q

We continue to be committed to provide you tools with competitive price.

"Save Half", "Half Price" or any other similar expressions used by us only represents an estimate of savings you might benefit from buying certain tools with us compared to the major top brands and does not necessarily mean to cover all categories of tools offered by us. You are kindly reminded to verify carefully when you are placing an order with us if you are actually saving half in comparison with the top major brands.

VEVOR®

TOUGH TOOLS, HALF PRICE

PRECISION
MACHINE PLIERS

MODELL: QM160/QM160Q



Warnung: Um das Verletzungsrisiko zu verringern, muss der Benutzer die Bedienungsanleitung sorgfältig lesen.

NEED HELP? CONTACT US!

Have product questions? Need technical support? Please feel free to contact us:

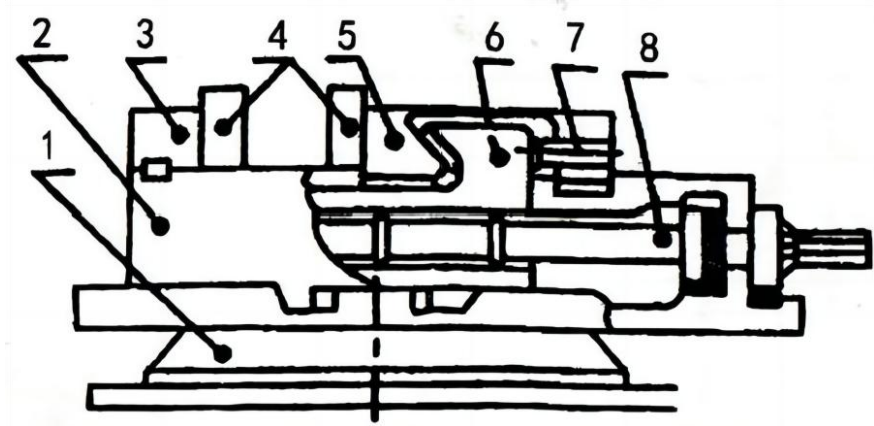
Technical Support and E-Warranty Certificate
www.vevor.com/support

This is the original instruction, please read all manual instructions carefully before operating. VEVOR reserves a clear interpretation of our user manual. The appearance of the product shall be subject to the product you received. Please forgive us that we won't inform you again if there are any technology or software updates on our product.

MAIN STRUCTURE AND EXPLANATION

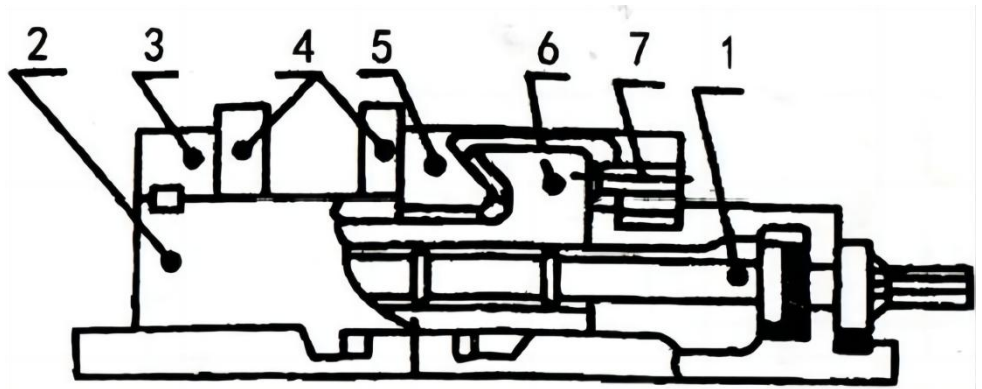
Hauptsächlich Struktur (siehe unteneng Figur)

QM160Q



1. Basis 2. Körper 3. Festes Zangenmaul 4.
Zangenmaul 5. Aktives Maul der Zange 6. Nuss
7. Einstellschraube 8. Schraube

QM160



1. Schraube 2. Körper 3. Feste Öffnung der Zange
4. Zangenmund 5. Aktiv Mund von Die Zange 6. Nuss
7. Anpassen schrauben

HAUPTSÄCHLICH VERWENDEN UND LEISTUNG

1. Dieses Produkt ist das Hauptzubehör für Präzisionsfräs- und -schleifmaschinen mit NC-Steuerung.
2. Wenn die aktive Öffnung der Zange nach oben wandert, kann auf die Halbkugel darüber ein vertikaler Druck nach unten ausgeübt werden, sodass das Werkstück nicht auf die Oberfläche des Werkstücks gelangen kann.
3. Die Öffnung der Zange öffnet sich, um gemäß den vier Richtungsänderungen agieren zu können.

Verwendet und pflegt

1. Hinweis: In der Mitte der Greiferöffnung hinter der Zange befindet sich eine Einstellschraube, die dazu dient, den Spalt zwischen der Mutter und dem Zangenkörper zu schließen, damit eine korrekte Verbindung zwischen beiden hergestellt werden kann. Wenn die Verbindung zu fest ist, kann sich die Halbkugel an der Greiferöffnung der Zange verschieben. Ist sie zu locker, sind Führungsschraube und Mutter nicht zentrisch und die Führungsschraube lässt sich nur schwer durchdrehen.
2. Vermeiden Sie beim Transport und Betrieb unbedingt Stöße und Kollisionen, da sonst die Präzision nicht gewährleistet werden kann.
3. Um einen reibungslosen Betrieb zu gewährleisten, müssen alle aktiven Teile regelmäßig geschmiert werden.

SPECIFICATION

mm

	QM160	QM160 Q
Breite des Zangenmauls	170	170
Höhe des Zangenmunds	45	45
Größte Klemmkraft	29 KN	29 KN
Lokalisierungsbreite des Schlüssels	18	18
Schraubstange mit sechs quadratischen Kopfbreiten	19	19
Durchmesser der Schraube	M16	M16

CARE INSTRUCTIONS

Stellen Sie die Waage nicht auf eine unebene Fläche

Setzen Sie die Waage keiner Feuchtigkeit aus.

Die Waage nicht fallen lassen oder misshandeln

Überlasten Sie die Waage nicht. Dadurch wird sie dauerhaft beschädigt!

Lassen Sie kein Gewicht auf der Waage liegen, wenn Sie diese nicht verwenden.

Ersetzen Sie die Batterie, wenn die Waage „LO“ im Display anzeigt.

Hersteller: Shanghai muxinmuyeyouxiangongsi

Adresse: Shuangchenglu 803nong11hao1602A-1609shi, baoshanqu, Shanghai 200000 CN.

Nach AUS importiert: SIHAO PTY LTD, 1 ROKEVA STREET EASTWOOD NSW 2122 Australien

Importiert in die USA: Sanven Technology Ltd., Suite 250, 9166 Anaheim Place, Rancho Cucamonga, CA 91730

EC	REP
-----------	------------

E-CrossStu GmbH
Mainzer Landstr.69, 60329 Frankfurt am Main.

UK	REP
-----------	------------

YH CONSULTING LIMITED.
C/O YH Consulting Limited Office 147, Centurion House,
London Road, Staines-upon-Thames, Surrey, TW18 4AX

VEVOR[®]

TOUGH TOOLS, HALF PRICE

Technisch Support und E-Garantie-Zertifikat

www.vevor.com/support

VEVOR[®]

TOUGH TOOLS, HALF PRICE

Tecnico Supporto e certificato di garanzia elettronica

www.vevor.com/support

PRECISIONE MACCHINA PINZE

MODELLO:QM160/QM160Q

We continue to be committed to provide you tools with competitive price.

"Save Half", "Half Price" or any other similar expressions used by us only represents an estimate of savings you might benefit from buying certain tools with us compared to the major top brands and does not necessarily mean to cover all categories of tools offered by us. You are kindly reminded to verify carefully when you are placing an order with us if you are actually saving half in comparison with the top major brands.

VEVOR[®]

TOUGH TOOLS, HALF PRICE

PRECISION
MACHINE PLIERS

MODELLO:QM160/QM160Q



Attenzione: per ridurre il rischio di lesioni, l'utente deve leggere attentamente il manuale di istruzioni.

NEED HELP? CONTACT US!

Have product questions? Need technical support? Please feel free to contact us:

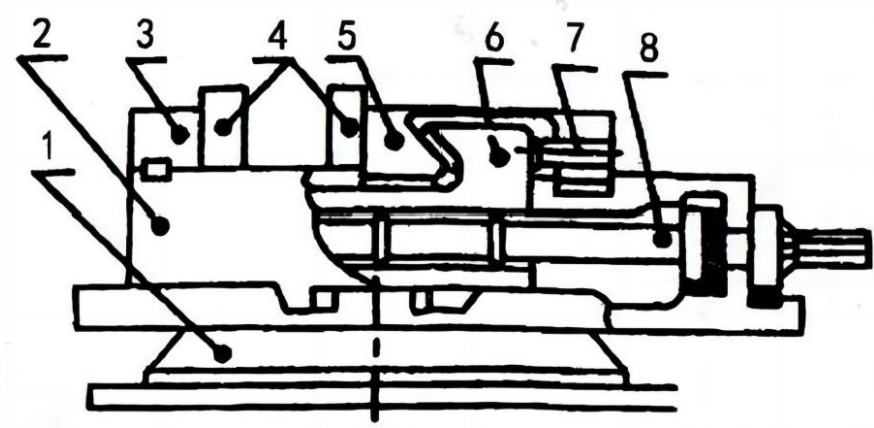
Technical Support and E-Warranty Certificate
www.vevor.com/support

This is the original instruction, please read all manual instructions carefully before operating. VEVOR reserves a clear interpretation of our user manual. The appearance of the product shall be subject to the product you received. Please forgive us that we won't inform you again if there are any technology or software updates on our product.

MAIN STRUCTURE AND EXPLANATION

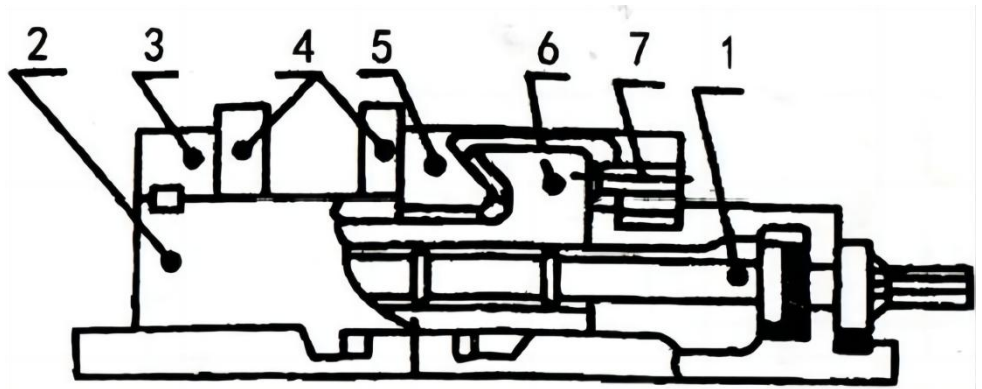
Principale struttura(vedi sottoinglese figura)

Modello QM160Q



1. Base 2 . Corpo 3. Bocca fissa della pinza 4. Bocca della pinza
5. Bocca attiva della pinza 6. Noce
7. Regolare la vite 8 . Vite

QM160



1. Vite 2. Corpo 3. Bocca fissa della pinza
4. bocca di pinze 5. Attivo bocca Di IL pinze 6. Noce
7. Regolare vite

OPERATION MANUAL

PRINCIPALE UTILIZZO E PRESTAZIONE

1. Questo prodotto è l'accessorio principale per fresatrici di precisione, rettificatrici e macchine a controllo numerico.
2. Quando la bocca attiva della pinza migra, la semisfera sopra di essa può esercitare una pressione verticale verso il basso, pertanto il pezzo in lavorazione non può raggiungere la superficie della barca.
3. La bocca della pinza apre l'apertura per poter agire secondo quattro cambi di direzione.

Utilizza e mantiene

1. Pubblicità: il centro ha un bullone di regolazione nella bocca attiva delle pinze dietro, utilizzato per eliminare il dado con il corpo delle pinze tra gli spazi, consentendo tra entrambi di avere una connessione corretta, se si collega troppo stretto, sulla bocca attiva delle pinze la mezza sfera può spostarsi, troppo allentata, la vite guida e il dado non sono ecentrici, la vite guida passa il tempo è difficile.
2. Durante il trasporto e l'operazione, sono severamente vietati urti e collisioni, altrimenti non è possibile garantire la precisione.
3. Per garantire un funzionamento fluido, tutte le parti attive devono essere lubrificate frequentemente.

SPECIFICATION

mm

	QM160	Modello QM160
Larghezza della bocca della pinza	170	170
Altezza della bocca delle pinze	45	45
Massima forza di serraggio	29KN	29KN
Larghezza di localizzazione della chiave	18	18
Vite a barra con testa quadrata a sei larghezze	19	19
Diametro del bullone	M16	M16

CARE INSTRUCTIONS

Non posizionare la bilancia su una superficie irregolare

Non esporre la bilancia all'umidità

Non far cadere o maltrattare la bilancia

Non sovraccaricare la bilancia. Ciò la danneggerà in modo permanente!

Non lasciare il peso sulla bilancia quando non la usi.

Sostituire la batteria quando la bilancia mostra "LO" sul display.

Produttore: Shanghaimuxinmuyeyouxiangongsi

Indirizzo: Shuangchenglu 803nong11hao1602A-1609shi, baoshanqu, shanghai 200000 CN.

Importato in AUS: SIHAO PTY LTD, 1 ROKEVA STREETEASTWOOD NSW 2122 Australia

Importato negli USA: Sanven Technology Ltd., Suite 250, 9166 Anaheim Place, Rancho Cucamonga, CA 91730

EC	REP
-----------	------------

E-CrossStu GmbH
Mainzer Landstr.69, 60329 Frankfurt am Main.

UK	REP
-----------	------------

YH CONSULTING LIMITED.
C/O YH Consulting Limited Office 147, Centurion House,
London Road, Staines-upon-Thames, Surrey, TW18 4AX

VEVOR[®]

TOUGH TOOLS, HALF PRICE

Tecnico Supporto e certificato di garanzia elettronica

www.vevor.com/support

VEVOR[®]

TOUGH TOOLS, HALF PRICE

Técnico Certificado de soporte y garantía electrónica

www.vevor.com/support

PRECISIÓN MÁQUINA ALICATES

MODELO: QM160/QM160Q

We continue to be committed to provide you tools with competitive price. "Save Half", "Half Price" or any other similar expressions used by us only represents an estimate of savings you might benefit from buying certain tools with us compared to the major top brands and does not necessarily mean to cover all categories of tools offered by us. You are kindly reminded to verify carefully when you are placing an order with us if you are actually saving half in comparison with the top major brands.

VEVOR®

TOUGH TOOLS, HALF PRICE

PRECISION
MACHINE PLIERS

MODELO: QM160/QM160Q



Advertencia: Para reducir el riesgo de lesiones, el usuario debe leer atentamente el manual de instrucciones.

NEED HELP? CONTACT US!

Have product questions? Need technical support? Please feel free to contact us:

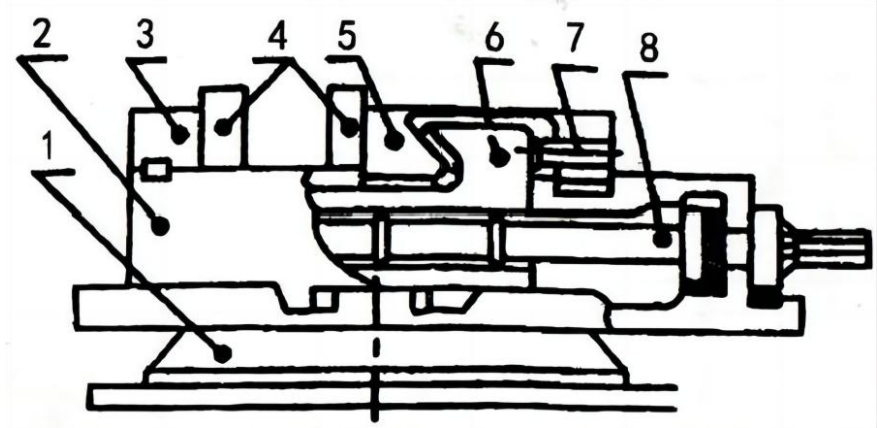
Technical Support and E-Warranty Certificate
www.vevor.com/support

This is the original instruction, please read all manual instructions carefully before operating. VEVOR reserves a clear interpretation of our user manual. The appearance of the product shall be subject to the product you received. Please forgive us that we won't inform you again if there are any technology or software updates on our product.

MAIN STRUCTURE AND EXPLANATION

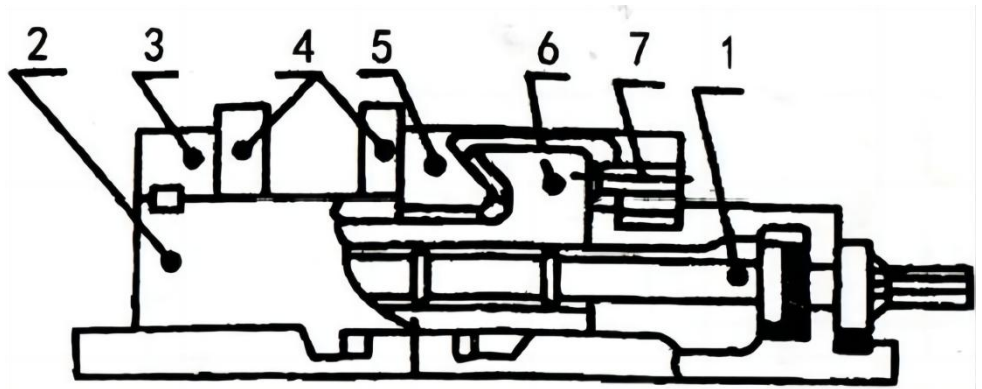
Principal estructura(ver abajoeng cifra)

QM160Q



1. Base 2 . Cuerpo 3 . Boca fija de la tenaza 4 . Boca
de la tenaza 5 . Boca activa de las tenazas 6 . Tuerca
7 . Tornillo de ajuste 8 . Tornillo

QM160



1. Tornillo 2. Cuerpo 3. Boca fija de la pinza
4. boca de tenazas 5. Activo boca de el tenazas 6. Nuez
7. Ajustar tornillo

OPERATION MANUAL

PRINCIPAL USAR Y ACTUACIÓN

1. Este producto es el accesorio principal para rectificadoras y fresadoras de precisión nc.
2. Cuando la boca activa de las pinzas migra, la mitad superior de la esfera puede tener una presión vertical hacia abajo, por lo tanto, la pieza de trabajo de la abrazadera no puede salir a la superficie del barco.
3. La boca de la pinza abre la abertura para poder actuar según cuatro cambios de dirección.

Usos y mantenimiento

1. advert: El medio tiene un perno de ajuste en la boca activa de las pinzas detrás, se usa para eliminar la tuerca con el cuerpo de los alicates entre el espacio, lo que permite que ambos tengan una conexión correcta, si se conecta demasiado fuerte, en la boca activa de las pinzas, la media esfera puede moverse, demasiado floja, el tornillo guía y la tuerca no son centrados, el tornillo guía pasa el tiempo es difícil.
2. Durante el transporte y la operación, se prohíben estrictamente los golpes y colisiones, de lo contrario no se puede garantizar la precisión.
3. Para garantizar que el funcionamiento sea ágil, todas las partes activas deben lubricarse con frecuencia.

SPECIFICATION

m m

	QM160	QM160 Q
Ancho de la boca de las tenazas	170	170
Boca de las tenazas altitud	45	45
Mayor fuerza de sujeción	29 kN	29 kN
Ancho de localización de la clave	18	18
Varilla roscada de seis anchos de cabeza cuadrada	19	19
Diámetro del perno	M16	M16

CARE INSTRUCTIONS

No coloque la báscula sobre una superficie irregular.

No exponga la báscula a la humedad.

No deje caer ni maltrate la báscula

¡No sobrecargue la báscula, ya que podría dañarla permanentemente!

No deje peso sobre la báscula cuando no esté en uso.

Reemplace la batería cuando la báscula muestre “LO” en la pantalla.

Fabricante: Shanghaimuxinmuyeyouxiangongsi

Dirección: Shuangchenglu 803nong11hao1602A-1609shi, baoshanqu, shanghai 200000 CN.

Importado a AUS: SIHAO PTY LTD, 1 ROKEVA STREETEASTWOOD NSW 2122 Australia

Importado a EE. UU.: Sanven Technology Ltd., Suite 250, 9166 Anaheim Place, Rancho Cucamonga, CA 91730

EC	REP
-----------	------------

E-CrossStu GmbH
Mainzer Landstr.69, 60329 Frankfurt am Main.

UK	REP
-----------	------------

YH CONSULTING LIMITED.
C/O YH Consulting Limited Office 147, Centurion House,
London Road, Staines-upon-Thames, Surrey, TW18 4AX

VEVOR[®]

TOUGH TOOLS, HALF PRICE

Técnico Certificado de soporte y garantía electrónica

www.vevor.com/support

VEVOR[®]

TOUGH TOOLS, HALF PRICE

Techniczny Wsparcie i certyfikat e-gwarancji

www.vevor.com/support

PRECYZJA MASZYNA SZCZYPCE

MODELE:QM160/QM160Q

We continue to be committed to provide you tools with competitive price.

"Save Half", "Half Price" or any other similar expressions used by us only represents an estimate of savings you might benefit from buying certain tools with us compared to the major top brands and does not necessarily mean to cover all categories of tools offered by us. You are kindly reminded to verify carefully when you are placing an order with us if you are actually saving half in comparison with the top major brands.

VEVOR[®]

TOUGH TOOLS, HALF PRICE

PRECISION
MACHINE PLIERS

MODELE:QM160/QM160Q



Ostrzeżenie: Aby zminimalizować ryzyko obrażeń, użytkownik powinien uważnie przeczytać instrukcję obsługi.

NEED HELP? CONTACT US!

Have product questions? Need technical support? Please feel free to contact us:

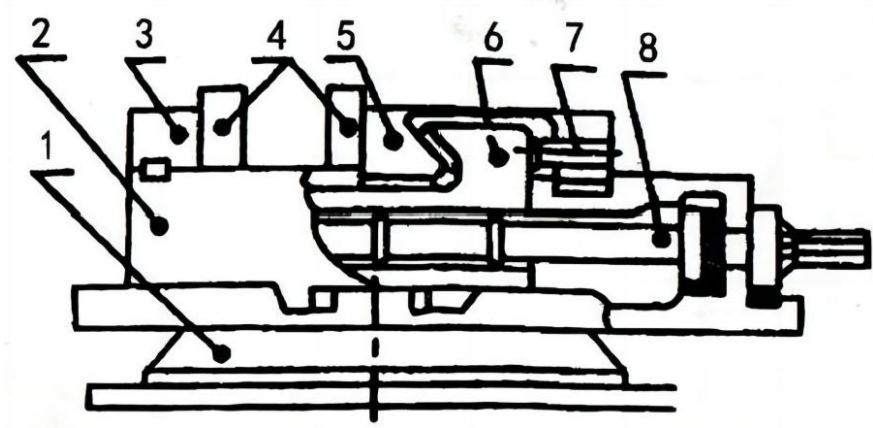
Technical Support and E-Warranty Certificate
www.vevor.com/support

This is the original instruction, please read all manual instructions carefully before operating. VEVOR reserves a clear interpretation of our user manual. The appearance of the product shall be subject to the product you received. Please forgive us that we won't inform you again if there are any technology or software updates on our product.

MAIN STRUCTURE AND EXPLANATION

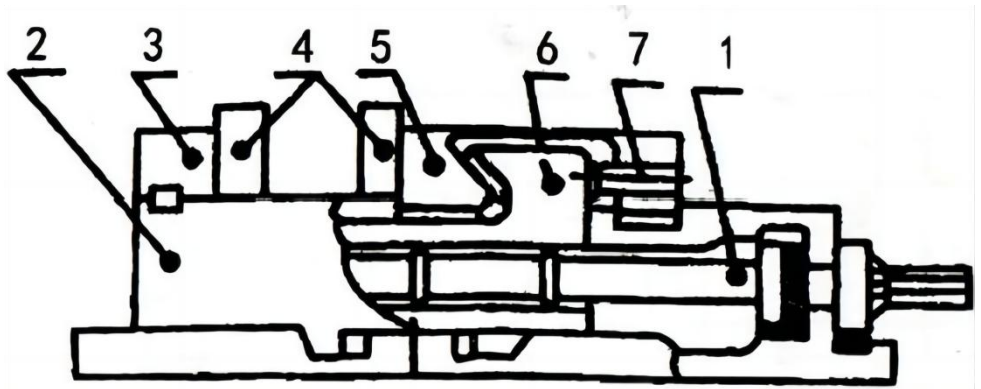
Główny struktura(zobacz poniżej postać)

QM160Q



1. Podstawa 2. Ciało 3. Stały otwór szczypiec 4.
Otwór szczypiec 5. Aktywna końcówka szczypiec 6. Orzech
7. Śruba regulacyjna 8. Śruba

QM160



1. Śruba 2. Korpus 3. Stała końcówka szczypiec
4.usta szczypiec 5.aktywne usta z ten szczypce 6. Orzech
7. Dostosuj śruba

GŁÓWNY UŻYWAĆ I WYDAJNOŚĆ

1. Produkt ten jest głównym osprzętem do precyzyjnych frezarek i szlifierek sterowanych numerycznie.
2. Gdy aktywne usta szczypiec przemieszczają się w poziomie, nad nimi połowa kuli może wywierać pionowy nacisk skierowany w dół, w związku z czym zaciskany element nie może wynurzyć się z łodzi.
3. Otwór szczypiec umożliwia zmianę kierunku ruchu w czterech kierunkach.

Używa i utrzymuje

1. Reklama: Środek ma śrubę regulacyjną w aktywnej szczęce szczypiec z tyłu, która służy do usuwania nakrętki za pomocą szczypiec pomiędzy szczelinami, umożliwiając prawidłowe połączenie obu elementów. Jeśli połączenie jest zbyt mocne, na aktywnej szczęce szczypiec półkula może się przesunąć, zbyt luźne, śruba prowadząca i nakrętka nie są centryczne, śruba prowadząca przesuwa się z czasem, co utrudnia pracę.
2. Podczas transportu i eksploatacji należy bezwzględnie zakazać uderzania i zderzeń, w przeciwnym razie nie można zagwarantować precyzji.
3. Aby zagwarantować sprawną pracę urządzenia, wszystkie aktywne części muszą być często smarowane.

SPECIFICATION

m m

	QM160	QM160 Q
Szerokość otworu szczypiec	170	170
Wysokość ust szczypiec	45	45
Największa siła zacisku	29KN	29KN
Szerokość lokalizacji klucza	18	18
Pręt śrubowy o szerokości łba kwadratowego sześć	19	19
Średnica śruby	M16	M16

CARE INSTRUCTIONS

Nie ustawiaj wagi na nierównej powierzchni

Nie narażaj wagi na działanie wilgoci

Nie upuszczaj wagi i nie traktuj jej niewłaściwie.

Nie przeciążaj wagi. To ją trwale uszkodzi!

Nie pozostawiaj ciężaru na wadze, gdy nie jest używana.

Wymień baterię, gdy na wyświetlaczu wagi pojawi się komunikat „LO”.

Producent: Shanghaimuxinmuyeyouxiangongsi

Adres: Shuangchenglu 803nong11hao1602A-1609shi, baoshanqu, szanghaj 200000 CN.

Importowane do AUS: SIHAO PTY LTD, 1 ROKEVA STREETEASTWOOD NSW 2122 Australia

Importowane do USA: Sanven Technology Ltd., Suite 250, 9166 Anaheim Place, Rancho Cucamonga, CA 91730

EC	REP
-----------	------------

E-CrossStu GmbH
Mainzer Landstr.69, 60329 Frankfurt am Main.

UK	REP
-----------	------------

YH CONSULTING LIMITED.
C/O YH Consulting Limited Office 147, Centurion House,
London Road, Staines-upon-Thames, Surrey, TW18 4AX

VEVOR[®]

TOUGH TOOLS, HALF PRICE

Techniczny Wsparcie i certyfikat e-gwarancji

www.vevor.com/support

VEVOR[®]

TOUGH TOOLS, HALF PRICE

Technisch Ondersteuning en E-garantiecertificaat

www.vevor.com/support

PRECISIE MACHINE TANG

MODEL:QM160/QM160Q

We continue to be committed to provide you tools with competitive price.

"Save Half", "Half Price" or any other similar expressions used by us only represents an estimate of savings you might benefit from buying certain tools with us compared to the major top brands and does not necessarily mean to cover all categories of tools offered by us. You are kindly reminded to verify carefully when you are placing an order with us if you are actually saving half in comparison with the top major brands.

VEVOR[®]

TOUGH TOOLS, HALF PRICE

PRECISION
MACHINE PLIERS

MODEL:QM160/QM160Q



Waarschuwing: om het risico op letsel te verkleinen, moet de gebruiker de gebruiksaanwijzing zorgvuldig lezen.

NEED HELP? CONTACT US!

Have product questions? Need technical support? Please feel free to contact us:

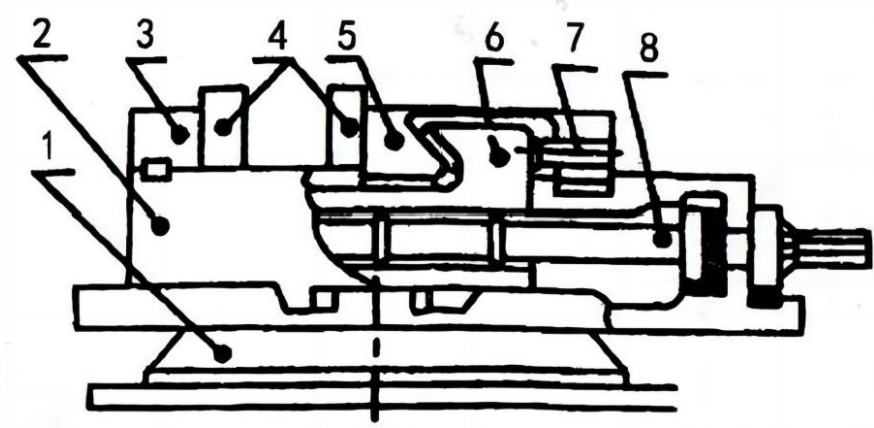
Technical Support and E-Warranty Certificate
www.vevor.com/support

This is the original instruction, please read all manual instructions carefully before operating. VEVOR reserves a clear interpretation of our user manual. The appearance of the product shall be subject to the product you received. Please forgive us that we won't inform you again if there are any technology or software updates on our product.

MAIN STRUCTURE AND EXPLANATION

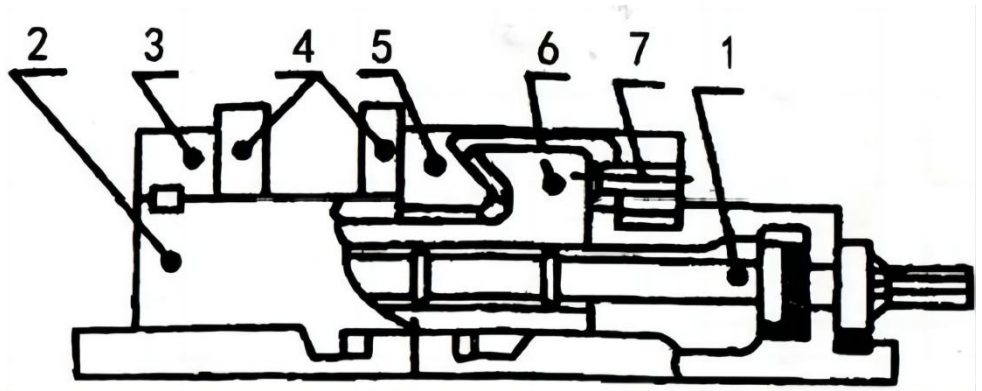
Voornaamst structuur (zie benedeneng figuur)

QM160Q



1. Basis 2. Lichaam 3. Vaste mond van de tang 4.
mond van de tang 5. Actieve mond van de tang 6. Moer
7. Stelschroef 8. Schroef

QM160



1. Schroef 2. Lichaam 3. Vaste mond van de tang
4. mond van tang 5. Actief mond van de tang 6. Moer
7. Aanpassen schroef

VOORNAAMST GEBRUIK EN PRESTATIE

1. Dit product is de belangrijkste bevestiging voor precisiefrees- en slijpmachines en NC-machines.
2. Wanneer de mond van de tang actief is, kan de hoogte van de halve bol verticaal naar beneden worden gedrukt. Hierdoor kan het klemwerkstuk niet boven de boot komen.
3. De bek van de tang opent de opening, zodat er in vier richtingen kan worden gehandeld.

Gebruikt en onderhoudt

1. Advertentie: Het midden heeft een afstelbout in de actieve mond van de tang aan de achterkant, wordt gebruikt om de moer met een tanglichaam tussen de opening te verwijderen, waardoor er een correcte verbinding ontstaat. Als de verbinding te strak is, kan de halve bol op de actieve mond van de tang verschuiven, te los, de geleideschroef en moer zijn niet centreren, de geleideschroef gaat na verloop van tijd moeilijk los.
2. Bij het transport en de bediening is het strikt verboden om te tikken of te botsen, anders kan de nauwkeurigheid niet worden gegarandeerd.
3. Om een soepele werking te garanderen, moeten alle actieve onderdelen regelmatig worden gesmeerd.

SPECIFICATION

ik ben ik

	QM160	QM160 Q
Mond van de tangbreedte	170	170
Mond van de tang hoogte	45	45
Grootste klemkracht	29KN	29KN
Lokalisatiebreedte van sleutel	18	18
Schroefstang zes vierkante kopbreedtes	19	19
Diameter van de bout	M16	M16

CARE INSTRUCTIONS

Plaats de weegschaal niet op een oneffen oppervlak

Stel de kalk niet bloot aan vocht

Laat de weegschaal niet vallen en behandel hem niet verkeerd.

Overbelast de weegschaal niet. Dit zal hem permanent beschadigen!

Laat geen gewicht op de weegschaal liggen als u deze niet gebruikt.

Vervang de batterij wanneer de weegschaal "LO" op het display weergeeft.

Fabrikant: Shanghaimuxinmuyeyouxiangongsi

Adres: Shuangchenglu 803nong11hao1602A-1609shi, baoshanqu, shanghai 200000 CN.

Geïmporteerd naar AUS: SIHAO PTY LTD, 1 ROKEVA

STREETEASTWOOD NSW 2122 Australië

Geïmporteerd naar de VS: Sanven Technology Ltd., Suite 250, 9166

Anaheim Place, Rancho Cucamonga, CA 91730

EC	REP
-----------	------------

E-CrossStu GmbH

Mainzer Landstr.69, 60329 Frankfurt am Main.

UK	REP
-----------	------------

YH CONSULTING LIMITED.

C/O YH Consulting Limited Office 147, Centurion House,
London Road, Staines-upon-Thames, Surrey, TW18 4AX

VEVOR[®]

TOUGH TOOLS, HALF PRICE

Technisch Ondersteuning en E-garantiecertificaat

www.vevor.com/support

VEVOR[®]

TOUGH TOOLS, HALF PRICE

Teknisk Support och e-garanticertifikat

www.vevor.com/support

PRECISION MASKIN TÅNG

MODELL: QM160/QM160Q

We continue to be committed to provide you tools with competitive price.

"Save Half", "Half Price" or any other similar expressions used by us only represents an estimate of savings you might benefit from buying certain tools with us compared to the major top brands and does not necessarily mean to cover all categories of tools offered by us. You are kindly reminded to verify carefully when you are placing an order with us if you are actually saving half in comparison with the top major brands.

VEVOR®

TOUGH TOOLS, HALF PRICE

PRECISION
MACHINE PLIERS

MODELL: QM160/QM160Q



Varning - För att minska risken för skada måste användaren läsa instruktionerna noggrant.

NEED HELP? CONTACT US!

Have product questions? Need technical support? Please feel free to contact us:

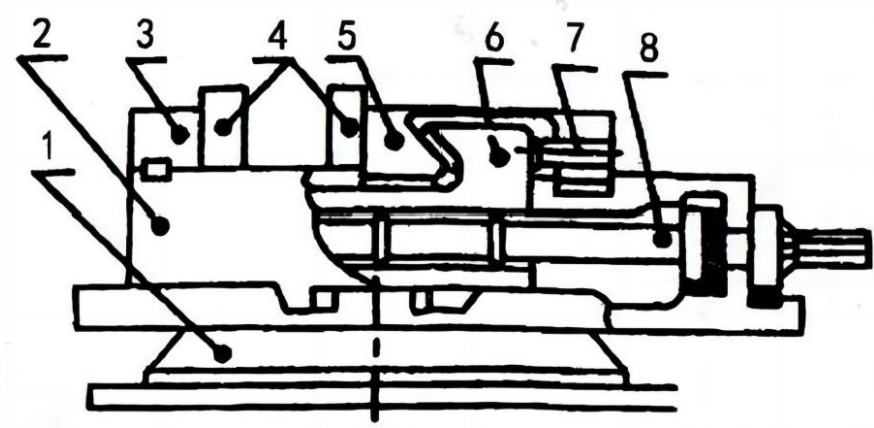
Technical Support and E-Warranty Certificate
www.vevor.com/support

This is the original instruction, please read all manual instructions carefully before operating. VEVOR reserves a clear interpretation of our user manual. The appearance of the product shall be subject to the product you received. Please forgive us that we won't inform you again if there are any technology or software updates on our product.

MAIN STRUCTURE AND EXPLANATION

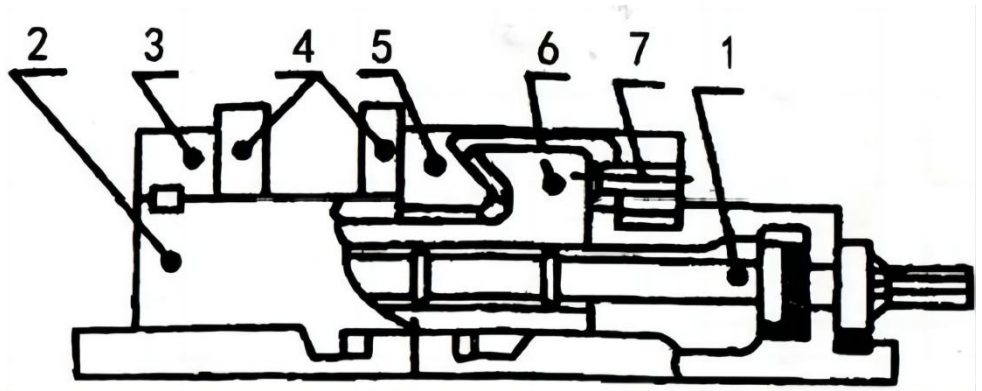
Main struktur (se undereng figur)

QM160Q



1. Bas 2 . Kropp 3 . Fast mun på tången 4 . mun av tång
5 . Aktiv mun på tången 6 . Mutter
7 . Justera skruven 8 . Skruva

QM160



1. Skruva 2. Kropp 3. Fast mun på tången
4. tång 5. Aktiv mun av de tång 6. Mutter
7. Justera skruva

OPERATION MANUAL

HUVUDSAK ANVÄNDA OCH PRESTANDA

1. Denna produkt är huvudtillbehör till precisionsfräsmaskiner NC-maskiner.
2. När tångens mynning är aktiv, kan halvsfären ovanför den ha ett vertikalt nedåtriktat tryck, därför kan klämarbetsstycket inte ytan på båten.
3. Tångens mynning öppnar öppningen för att kunna agera enligt fyra riktningsändringar.

Använder och underhåller

1. annons: Mellan har en justerbult i aktiv mynning av tången bakom, används för att eliminera muttern med tångkroppen mellan gapet, möjliggör mellan båda att ha en korrekt anslutning, om ansluts för hårt, på den aktiva munnen av tångens halva sfär kan skifta, för löst, styrskrub och mutter inte eoncentriska, styrskruben klarar tiden är svårt.
2. Vid transport och drift, förbjud strikt rap och kollision, annars kan precisionen inte garanteras.
3. För att garantera att driften är smidig måste alla aktiva delar smörjas ofta.

SPECIFICATION

m m

	QM160	QM160 Q
Mun på tångens bredd	170	170
Tångens mynning höjd	45	45
Största klämkraften	29KN	29KN
Lokaliseringsbredd på nyckel	18	18
Skruvstång sex kvadratiska huvudbredder	19	19
Bultens diameter	M16	M16

CARE INSTRUCTIONS

Lägg inte vågen på en ojämn yta

Utsätt inte skalan för fukt

Tappa eller misshandla inte vågen

Överbelasta inte vågen. Detta kommer att skada den permanent!

Lämna inte vikt på vågen när den inte används.

Byt ut batteriet när vågen visar "LO" på displayen.

Tillverkare: Shanghaimuxinmuyeyouxiangongsi

Address: Shuangchenglu 803nong11hao1602A-1609shi, baoshanqu, shanghai 200000 CN.

Importerad till AUS: SIHAO PTY LTD, 1 ROKEVA STREETEASTWOOD NSW 2122 Australien

Importerad till USA: Sanven Technology Ltd., Suite 250, 9166 Anaheim Place, Rancho Cucamonga, CA 91730

EC	REP
-----------	------------

E-CrossStu GmbH
Mainzer Landstr.69, 60329 Frankfurt am Main.

UK	REP
-----------	------------

YH CONSULTING LIMITED.
C/O YH Consulting Limited Office 147, Centurion House,
London Road, Staines-upon-Thames, Surrey, TW18 4AX

VEVOR[®]

TOUGH TOOLS, HALF PRICE

Teknisk Support och e-garanticertifikat

www.vevor.com/support