

# **VEVOR<sup>®</sup>**

**TOUGH TOOLS, HALF PRICE**

Technical Support and E-Warranty Certificate

[www.vevor.com/support](http://www.vevor.com/support)

## **MULTIFUNCTIONAL CART**

## **USER MANUAL**

**MODEL:RY810325/RY810325-1**

We continue to be committed to provide you tools with competitive price.

"Save Half", "Half Price" or any other similar expressions used by us only represents an estimate of savings you might benefit from buying certain tools with us compared to the major top brands and does not necessarily mean to cover all categories of tools offered by us. You are kindly reminded to verify carefully when you are placing an order with us if you are actually saving half in comparison with the top major brands.

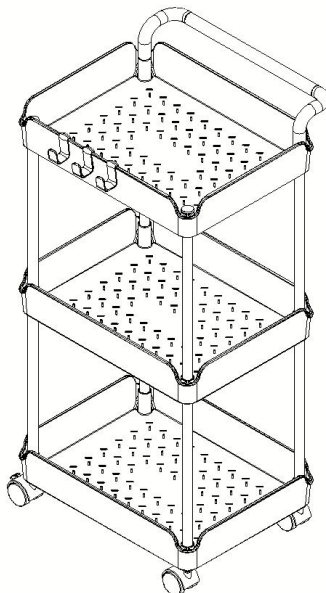


# VEVOR<sup>®</sup>

TOUGH TOOLS, HALF PRICE

## MULTIFUNCTIONAL CART

MODEL:RY810325/RY810325-1



### NEED HELP? CONTACT US!

Have product questions? Need technical support? Please feel free to contact us:

**Technical Support and E-Warranty Certificate**  
**[www.vevor.com/support](http://www.vevor.com/support)**

This is the original instruction, please read all manual instructions carefully before operating. VEVOR reserves a clear interpretation of our user manual. The appearance of the product shall be subject to the product you received. Please forgive us that we won't inform you again if there are any technology or software updates on our product.

## SAFETY INSTRUCTION AND PRECAUTIONS

### **⚠WARNING:**

Read this material before using this product.

### **Assembly precautions**

1. Assemble only according to these instructions. Improper assembly can create hazards.
2. Wear ANSI-approved safety goggles.
3. Keep the assembly area clean and well-lit.
4. Keep bystanders out of the area during assembly.
5. Do not assemble when tired or when under the influence of alcohol, drugs, or medication.
6. Weight capacity and other product capabilities apply to properly and completely assembled products only.
7. Assemble on a flat, level, hard, and smooth surface capable of safely supporting a fully loaded multifunctional Cart.

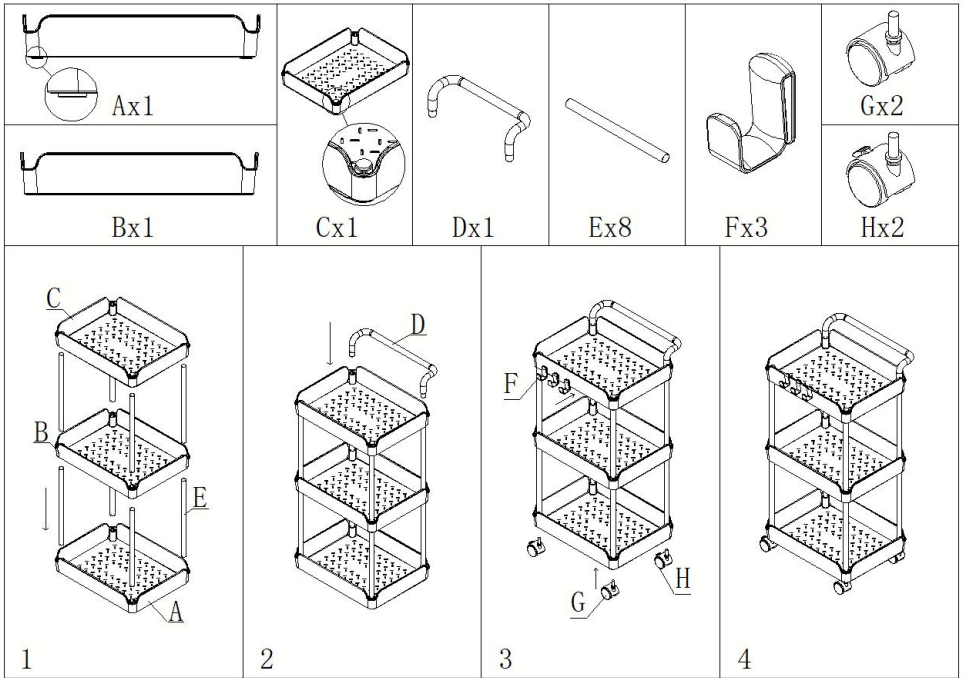
### **Use precautions**

#### **TO PREVENT SERIOUS INJURY AND DEATH FROM TIPPING:**

1. **DO NOT SIT, STAND OR CLIMB ON THIS ITEM.**
2. This product is not a toy. Do not allow children to play with or near this item.
3. Do not exceed weight capacities, evenly distributed from the bottom up. Be aware of dynamic loading! The sudden load movement may briefly create an excess load, causing product failure.
4. Use only on a flat, level, hard, and smooth surface capable of safely supporting a fully loaded panel cart.
5. Use as intended only. To prevent tipping, push/pull using the supplied handle only. Do not lift while loaded.
6. Inspect before every use; do not use if parts are loose or damaged.

### **SAVE THESE INSTRUCTIONS**

## ASSEMBLY



	Items	Description
1	Name	Multifunctional Cart
2	Model	RY810325
3	Parameter	White, Number of layers: 3, Plastics, Basket Type

	Items	Description
1	Name	Multifunctional Cart
2	Model	RY810325-1
3	Parameter	Black, Number of layers: 3, Plastics, Basket Type

**Address:** Baoshanqu Shuangchenglu 803long 11hao 1602A-1609shi  
Shanghai

**Imported to AUS:** SIHAO PTY LTD, 1 ROKEVA STREETEASTWOOD  
NSW 2122 Australia

**Imported to USA:** Sanven Technology Ltd, Suite 250, 9166 Anaheim  
Place, Rancho Cucamonga, CA 91730



SHUNSHUN GmbH  
Römeräcker 9 Z2021, 76351  
Linkenheim-Hochstetten, Germany



Pooledas Group Ltd  
Unit 5 Albert Edward House, The  
Pavilions Preston, United Kingdom

**Made In China**



**VEVOR**<sup>®</sup>

**TOUGH TOOLS, HALF PRICE**

**Technical Support and E-Warranty Certificate**

**[www.vevor.com/support](http://www.vevor.com/support)**